

STATE	DIST	COUNTY	
TEXAS	AUS	TRAVIS, ETC.	
CONT	SECT	JOB	HIGHWAY
6454	19	001	US 290, ETC.

STATE OF TEXAS DEPARTMENT OF TRANSPORTATION

PLANS OF PROPOSED STATE HIGHWAY BRIDGE PREVENTATIVE MAINTENANCE

PROJECT NUMBER 645419001

NET LENGTH OF PROJECT = 2,121.00 FEET = 0.4017 MILES

- US 290 OVER SOUTH GRAPE CREEK = 240.00 FT = 0.0455 MILES
- SH 71 OVER FLAT ROCK CREEK = 160.00 FT = 0.0303 MILES
- FM 734 EB OVER WALNUT CREEK TRIB/CTRMA RR = 456.00 FT = 0.0864 MILES
- FM 734 EB OVER UNION PACIFIC RR = 400.00 FT = 0.0758 MILES
- PR 49 OVER PEDERNALES RIVER = 300.00 FT = 0.0568 MILES
- US 87 OVER PEDERNALES RIVER = 565.00 FT = 0.1070 MILES

TRAVIS, ETC.
US 290, ETC.

LIMITS: VARIOUS LOCATIONS IN BURNET, GILLESPIE & TRAVIS COUNTIES
FOR THE CONSTRUCTION OF CLEANING & SEALING JOINTS, DEBRIS
REMOVAL, CONCRETE SPALL REPAIR, JOINT REPAIR, AND SCOUR
PROTECTION

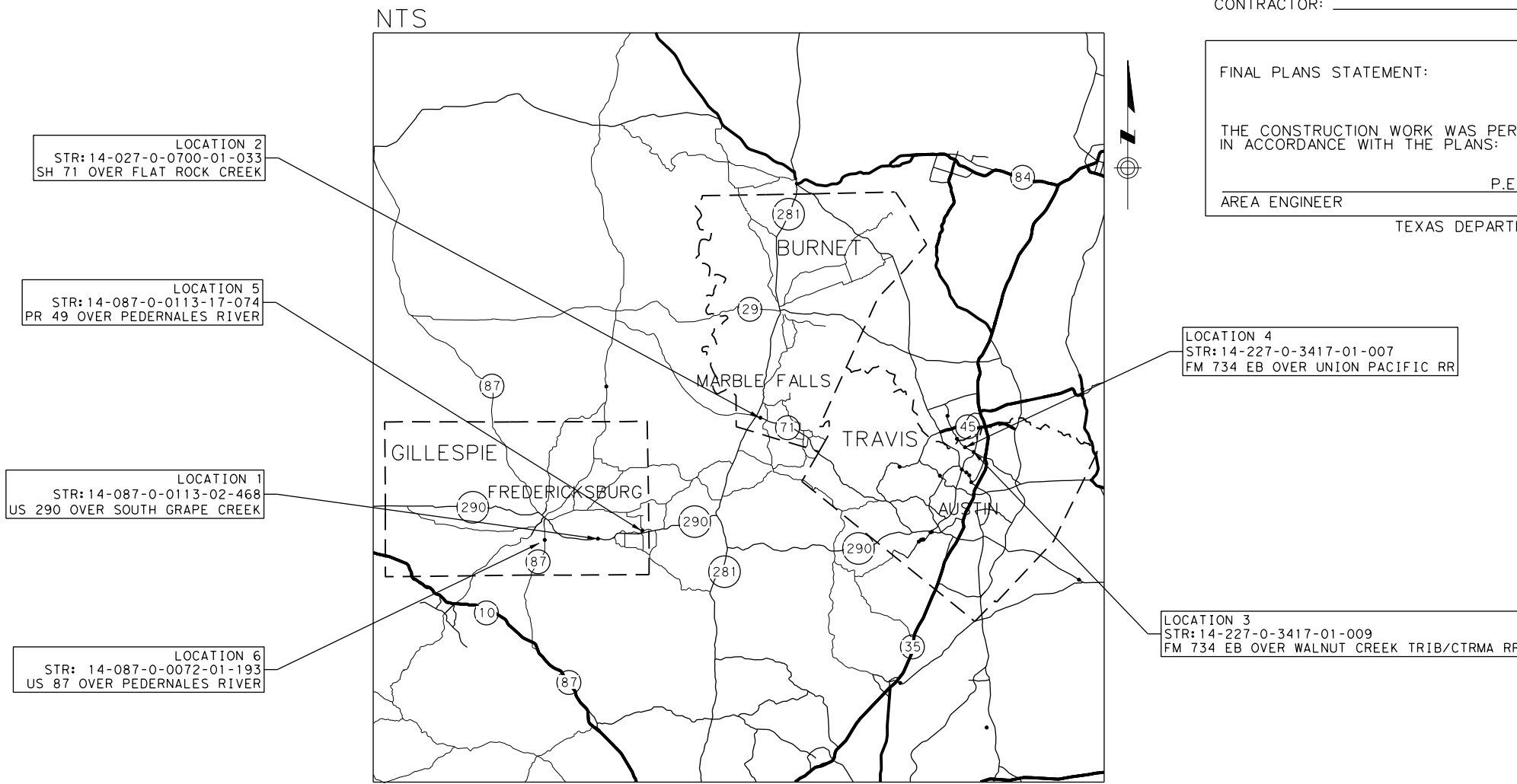
FINAL PLANS

LETTING DATE: _____
 DATE CONTRACTOR BEGAN WORK: _____
 DATE WORK WAS ACCEPTED: _____
 DATE WORK WAS COMPLETED: _____
 FINAL CONTRACT COST: \$ _____
 CONTRACTOR: _____

FINAL PLANS STATEMENT: _____
 I CERTIFY THAT THIS PROJECT WAS CONSTRUCTED IN SUBSTANTIAL COMPLIANCE WITH THE FINAL AS-BUILT PLANS AND SPECIFICATIONS.

THE CONSTRUCTION WORK WAS PERFORMED IN ACCORDANCE WITH THE PLANS:

AREA ENGINEER _____ P.E. _____ DATE _____
 TEXAS DEPARTMENT OF TRANSPORTATION



LOCATION MAP NOT TO SCALE

EXCEPTIONS: N/A
 EQUATIONS: N/A
 R.R. CROSSINGS: FM 734 EB OVER WALNUT CREEK TRIB/CMTA RR
 FM 734 EB OVER UNION PACIFIC RR

RECOMMENDED FOR LETTING: 6/11/2024

DocuSigned by: *Gisell Carrasco, P.E.*
 AUSTIN DISTRICT MAINTENANCE ENGINEER

APPROVED FOR LETTING: 6/11/2024

DocuSigned by: *Omar X. De Leon, P.E.*
 DIRECTOR OF MAINTENANCE

SUBMITTED FOR LETTING: 6/11/2024

DocuSigned by: *Joe Muck*
 AREA ENGINEER



SPECIFICATIONS ADOPTED BY THE TEXAS DEPARTMENT OF TRANSPORTATION, SEPTEMBER 1, 2024 AND SPECIFICATION ITEMS LISTED AND DATED AS FOLLOWS, SHALL GOVERN ON THIS PROJECT: REQUIRED CONTRACT PROVISIONS

9:30:14 AM 5/6/2024 c:\working\p\paw_bentley.com\paw_01\mccos_silvo\dms7131\8001_1904_GI_04.dgn

1	TITLE SHEET
2	INDEX OF SHEETS
3 - 3A-3D	GENERAL NOTES
4	TxDOT CONNECT ESTIMATE SHEET
5	ESTIMATED QUANTITIES
6	US 290 OVER SOUTH GRAPE CREEK - BRIDGE LAYOUT
7	US 290 OVER SOUTH GRAPE CREEK - TCP NARRATIVE & QUANTITIES
8	SH 71 OVER FLAT ROCK CREEK - BRIDGE LAYOUT
9	SH 71 OVER FLAT ROCK CREEK - TCP NARRATIVE & QUANTITIES
10 - 11	FM 734 EB OVER WALNUT CREEK TRIB / CMTA RR - BRIDGE LAYOUT
12	FM 734 EB OVER WALNUT CREEK TRIB / CMTA RR - TCP NARRATIVE & QUANTITIES
13	FM 734 EB OVER WALNUT CREEK TRIB / CMTA RR - RAILROAD SCOPE OF WORK
14 - 15	FM 734 EB OVER UNION PACIFIC RR - BRIDGE LAYOUT
16	FM 734 EB OVER UNION PACIFIC RR - TCP NARRATIVE & QUANTITIES
17	FM 734 EB OVER UNION PACIFIC RR - RAILROAD SCOPE OF WORK
18 - 19	PR 49 OVER PEDERNALES RIVER - BRIDGE LAYOUT
20	PR 49 OVER PEDERNALES RIVER - TCP NARRATIVE & QUANTITIES
21	PR 49 OVER PEDERNALES RIVER - DETOUR ROUTE
22 - 23	US 87 OVER PEDERNALES RIVER - BRIDGE LAYOUT
24	US 87 OVER PEDERNALES RIVER - TCP NARRATIVE & QUANTITIES
25	SPALL REPAIR DETAILS
26 - 28	CLEANING AND SEALING EXISTING BRIDGE JOINTS
29	PAINTING STRUCTURE NUMBERS (PSN-19 (AUS)) (MOD)
30 - 31	STONE RIPRAP (SRR)
32	ENVIRONMENTAL PERMITS, ISSUES AND COMMENTS (EPIC)
33	BC (1) - 21
34	BC (2) - 21
35	BC (3) - 21
36	BC (4) - 21
37	BC (5) - 21
38	BC (6) - 21
39	BC (7) - 21
40	BC (8) - 21
41	BC (9) - 21
42	BC (10) - 21
43	BC (11) - 21
44	BC (12) - 21
45	TCP (2-1) -18
46	TCP (2-2) -18
47	TCP (2-3) -23
48	TCP (2-4) -18
49	TCP (2-5) -18
50	TCP (2-6) -18
51	TCP (2-7) -23
52	TCP (2-8) -23
53	EC(1)-16



INDEX OF SHEETS

FED. RD. DIV. NO.		PROJECT NO.		HIGHWAY NO.
				US 290, ETC.
DESIGNED: DNP	STATE	STATE DIST. NO.	COUNTY	SHEET NO.
CHECKED: WD	TEXAS	AUSTIN	TRAVIS, ETC.	
DRAWN: MS	CONT.	SECT.	JOB	
CHECKED: DNP	6454	19	001	2

Project Number: 645419001
County: TRAVIS, ETC.
Highway: US 290, ETC.

Sheet: 3
Control: 6454-19-001

Project Number: 645419001
County: TRAVIS, ETC.
Highway: US 290, ETC.

Sheet: 3
Control: 6454-19-001

GENERAL NOTES:

The following standard detail sheet or sheets have been modified:

Painting Structure Numbers (PSN-19 (AUS)(MOD))

GENERAL

Contractor questions on this project are to be addressed to the following individual(s):

District Maintenance gisel.carrasco@txdot.gov

Questions and requests for documents will be accepted via the Letting Pre-Bid Q&A web page. All contractor questions will be reviewed by the Engineer. All questions and any corresponding responses that are generated will be posted through the same Letting Pre-Bid Q&A web page. This webpage can be accessed from the Notice to Contractors dashboard located at the following Address:

<https://tableau.txdot.gov/views/ProjectInformationDashboard/NoticetoContractors>

The Letting Pre-Bid Q&A web page for each project can be accessed by using the dashboard to navigate to the project you are interested in by scrolling or filtering the dashboard using the controls on the left. Hover over the blue hyperlink for the project you want to view the Q&A for and click on the link in the window that pops up.

Written notice will be given to begin work on this project.

Work must begin within seven (7) calendar days after such notification. Time charges will begin when work begins regardless if it falls within seven (7) calendar days of the notification to begin work.

The contractor will have Sixty-Six (66) working days to complete all work under this contract.

Work under this contract shall consist of cleaning & sealing joints, debris removal, concrete spall repair, joint repair, and scour protection at various locations in Travis, Burnet, and Gillespie Counties.

References to manufacturer's trade name or catalog numbers are for the purpose of identification only. Similar materials from other manufacturers are permitted if they are of equal quality, comply with the specifications for this project, and are approved.

If work is performed at Contractor's option, when inclement weather is impending, and the work is damaged by subsequent precipitation, the Contractor is responsible for all costs associated with replacing the work, if required.

The roadbed will be free of organic material prior to placing any section of the pavement structure.

Contact the supervisor for the passenger facility at Capital Metro and request the relocation of Capital Metro signs. Contact the supervisor at (512) 385-0190.

Equip all construction equipment used in roadway work with highly visible omnidirectional flashing warning lights.

Intelligent Transportation Systems (ITS) Infrastructure may exist within the limits of this project and that the system must remain operational throughout construction. The exact location of ITS Infrastructure is not known. Contact the TxDOT Area Engineer's or Inspection Team's Office for the location(s) at least 48 hours before commencing any work that might affect present ITS Infrastructure. Use caution if working in these areas to avoid damaging or interfering with existing facilities. Repair any damage to this system within 8 hours of occurrence at no cost to the Department. In the event of system damage, notify TxDOT/CTECC at (512) 974-0883 within one hour of occurrence. Failure of the Contractor to repair damage to any infrastructure that conveys any corridor information to TxDOT/CTECC will result in the Contractor being billed for the full cost of emergency repairs.

Provide a smooth, clean sawcut along the existing asphalt (*or concrete*) pavement structure, as directed. Consider subsidiary to the pertinent Items.

Supply litter barrels in enough numbers at locations as directed to control litter within the project. Consider subsidiary to pertinent Items.

Use a self-contained vacuum broom to sweep the roadway and keep it free of sediment as directed. The contractor will be responsible for any sweeping above and beyond the normal maintenance required to keep fugitive sediment off the roadway as directed by the Engineer.

Damage to existing pipes and SET's due to Contractor operations will be repaired at Contractor's expense.

The Contractor is responsible for any damage done to the existing utilities while working on this project. The Contractor is responsible for reporting the damage to the utility company as soon as possible.

All locations used for storing construction equipment, materials, and stockpiles of any type, within the right of way, will be as directed. Use of right of way for these purposes will be restricted to those locations where driver sight distance to businesses and side street intersections is not obstructed and at other locations where an unsightly appearance will not exist. The Contractor will not have exclusive use of right of way but will cooperate in the use of the right of way with the city/county and various public utility companies as required.

Each contract is considered separate and individual from others. Requirements to complete work on any or all contracts may occur at the same time. If requests are issued at the same time, it is expected that the work will be completed in the time frame allowed.

Project Number: 645419001
County: TRAVIS, ETC.
Highway: US 290, ETC.

Sheet: 3A
Control: 6454-19-001

Coordinate and obtain approval for all bridgework over existing roadways.

Bridge Vertical Clearance and Traffic Handling.

Notify TxDOT project staff and the local bridge engineer 10 business days prior to the following: change in vertical clearance, placing beams/girders over traffic, opening or removing traffic from a bridge or portion of a bridge, and completion of bridge work. This requirement includes bridge class culverts. Provide vertical clearance for all structures (including signal mast arms, span wires, and overhead sign bridge structures) within the project limit. Submit information and notices to local bridge engineer: AUS_BRG_Notify@txdot.gov.

During evacuation periods for Hurricane events the Contractor will cooperate with Department for the restricting of Lane Closures and arranging for Traffic Control to facilitate Coastal Evacuation Efforts.

ITEM 5 – CONTROL OF THE WORK

Place construction or silt fence 2 ft. inside TxDOT ROW along the Railroad ROW. If work is to be performed inside the Railroad ROW, then the Contractor will coordinate with the Railroad for a Railroad Flagger. This work is subsidiary.

Place construction stakes at intervals of no more than 100 ft. This work is subsidiary.

Provide a 72-hour advance email notice to AUS_Locate@TxDOT.gov to request illumination, traffic signal, ITS, or toll equipment utility locates. Provide AUS_Locate@TxDOT.gov an electronic pdf of as-builts within 21 calendar days of illumination, traffic signal, ITS, or toll equipment being placed into operation. As-built shall include GPS coordinates of manholes and junction boxes. Include final version of RFI's and revised plan sheets.

Electronic Shop Drawing Submittals:

Submit electronic shop drawing submittals according to the current Guide to Electronic Shop Drawing Submittal <https://www.txdot.gov/business/resources/specifications/shop-drawings.html> (TxDOT.gov Business > Resources - General > Shop Drawings). Pre-approved producers can be found online at TxDOT.gov > Business > Resources - Material Producer List. Use the following contact list for all submittals that are not required to be sent to Bridge Division and to copy the Engineer for all submittals to the Bridge Division.
Submittal Contact List

Burnet Area Joe.Muck@txdot.gov AUS_BU-ShopReview@txdot.gov

ITEM 6 - CONTROL OF MATERIALS

The Contractor is responsible for furnishing all materials included in this contract. Materials provided by Contractor will be new unless otherwise shown on the plans or approved. The Contractor must receive approval from the Engineer prior to ordering materials for this contract.

The Contractor is required to have sufficient supply of material to complete repair work within the allotted time.

Project Number: 645419001
County: TRAVIS, ETC.
Highway: US 290, ETC.

Sheet: 3A
Control: 6454-19-001

Give a minimum of 1 business day notice for materials, which require inspection at the Plant.

ITEM 7 – LEGAL RELATIONS AND RESPONSIBILITIES

TxDOT will coordinate with TDLR regarding pedestrian elements and sidewalks. The contractor will procure and provide all permits, licenses, and inspections; pay all charges, fees, and taxes regarding TDLR rules governing industrialized housing and buildings.

Roadway closures during key dates and/or special events are prohibited. See notes for Item 502 for the key dates and/or special events.

Refer to the Environmental Permits, Issues and Commitments (EPIC) plan sheets for additional requirements and permits.

When any abandoned well is encountered, cease construction operations in this area and notify the Engineer who will coordinate the proper plugging procedures. A water well driller licensed in the State of Texas must be used to plug a well.

Erosion control and stabilization measures must be initiated immediately in portions of the site where construction activities have temporarily ceased and will not resume for a period exceeding 14 calendar days. Track all exposed soil, stockpiles, and slopes. Tracking consists of operating a tracked vehicle or equipment up and down the slope, leaving track marks perpendicular to the direction of the slope. Re-track slopes and stockpiles after each rain event or every 14 days, whichever occurs first. This work is subsidiary.

Perform maintenance of vehicles or equipment at designated maintenance sites. Keep a spill kit on-site during fueling and maintenance. This work is subsidiary.

Maintain positive drainage for permanent and temporary work for the duration of the project. Be responsible for any items associated with the temporary or interim drainage and all related maintenance. This work is subsidiary.

Suspend all activities near any significant recharge features, such as sinkholes, caves, or any other subterranean openings that are discovered during construction or core sampling. Do not proceed until the designated Geologist or TCEQ representative is present to evaluate and approve remedial action.

Locate aboveground storage tanks kept on-site for construction purposes in a contained area as to not allow any exposure to soils. The containment will be sized to capture 150% of the total capacity of the storage tanks.

PSL in Edwards Aquifer Recharge and Contributing Zone.

Obtain written approval from the Engineer for all on or off right of way PSLs not specifically addressed in the plans. Provide a signed SW3P sketch of the location 30 business days prior to use of the PSL. Include a list of materials, equipment and portable facilities that will be stored at the PSL.

Project Number: 645419001
County: TRAVIS, ETC.
Highway: US 290, ETC.

Sheet: 3B
Control: 6454-19-001

PSL in USACE Jurisdictional Area.

Do not initiate activities in a PSL associated with a U.S. Army Corps of Engineers (USACE) jurisdictional area that have not been previously evaluated by the USACE as part of the permit review of this project. Such activities include, but are not limited to, haul roads, equipment staging areas, borrow and disposal sites. Associated defined here means materials are delivered to or from the PSL. The jurisdictional area includes all waters of the U.S. including wetlands or associated wetlands affected by activities associated with this project. Special restrictions may be required for such work. Consult with the USACE regarding activities, including PSLs that have not been previously evaluated by the USACE. Provide the Department with a copy of all USACE coordination and approvals before initiating activities.

Proceed with activities in PSLs that do not affect a USACE jurisdictional area if self-determination has been made that the PSL is non-jurisdictional or proper clearances have been obtained in USACE jurisdictional areas or have been previously evaluated by the USACE as part of the permit review of this project. Document any determinations that PSL activities do not affect a USACE jurisdictional area. Maintain copies of PSL determinations for review by the Department or any regulatory agency. The Contractor must document and coordinate with the USACE, if required, before any excavation material hauled from or embankment material hauled into a USACE jurisdictional area by either (1) or (2) below.

1. **Restricted Use of Materials for the Previously Evaluated Permit Areas.** When an area within the project limits has been evaluated by the USACE as part of the permit process for this project:
 - a. suitable excavation of required material in the areas shown on the plans and cross sections as specified in Standard Specification Item 110, Excavation is used for permanent or temporary fill within a USACE jurisdictional area;
 - b. suitable embankment from within the USACE jurisdictional area is used as fill within a USACE evaluated area;
 - c. Unsuitable excavation or excess excavation that is disposed of at an approved location within a USACE evaluated area.
2. **Contractor Materials from Areas Other than Previously Evaluated Areas.** Provide the Department with a copy of all USACE coordination and approvals before initiating any activities in a jurisdictional area within the project limits that has not been evaluated by the USACE or for any off right of way locations used for the following, but not limited to, haul roads, equipment staging areas, borrow and disposal sites:
 - a. Standard Specification Item 132, Embankment is used for temporary or permanent fill within a USACE jurisdictional area;
 - b. Unsuitable excavation or excess excavation that is disposed of outside a USACE evaluated area.

Work over or near Bodies of Water (Lakes, Rivers, Ponds, Creeks, etc.).

Keep on site a universal spill kit adequate for the body of water and the work being performed. Debris is not allowed to fall into the ordinary high-water level (OHWL). Debris that falls into the OHWL must be removed at the end of each work day. Debris that falls into the

Project Number: 645419001
County: TRAVIS, ETC.
Highway: US 290, ETC.

Sheet: 3B
Control: 6454-19-001

floodway must be removed at the end of each work week or prior to a rain event. Install and maintain traffic control devices to maintain a navigable corridor for water traffic, except during bridge demo and beam placement. This work is subsidiary.

DSHS Asbestos and Demolition Notification.

Complete and provide the Texas Department of State Health Services (DSHS) notification form to TxDOT and AUS_BRG_Notify@txdot.gov at least 30 calendar days prior to bridge removal or renovation. Notify the Engineer via email of any changes to the work start and end dates.

Migratory Birds and Bats.

Migratory birds and bats may be nesting within the project limits and concentrated on roadway structures such as bridges and culverts. Remove all old and unoccupied migratory bird nests from any structures, trees, etc. between September 16 and February 28. Prevent migratory birds from re-nesting between March 1 and September 15. Prevention shall include all areas within 25 ft. of proposed work. All methods used for the removal of old nesting areas and the prevention of re-nesting must be submitted to TxDOT 30 business days prior to begin work. This work is subsidiary.

If active nests are encountered on-site during construction, all construction activity within 25 ft. of the nest must stop. Contact the Engineer to determine how to proceed.

Law Enforcement Personnel.

Submit charge summary and invoices using the Department forms.

Patrol vehicles must be clearly marked to correspond with the officer's agency and equipped with appropriate lights to identify them as law enforcement. For patrol vehicles not owned by a law enforcement agency, markings will be retroreflective and legible from 100 ft. from both sides and the rear of the vehicle. Lights will be high intensity and visible from all angles.

No payment will be made for law enforcement personnel needed for moving equipment or payment for drive time to/from the event site. A minimum number of hours is not guaranteed. Payment is for work performed. If the Contractor has a field office, provide an office location for a supervisory officer when event requires a supervising officer. This work is subsidiary.

A maximum combined rate of \$85 per hour for the law enforcement personnel and the patrol vehicle will be allowed. Any scheduling fee is subsidiary per Standard Specification 502.4.2.

Cancel law enforcement personnel when the event is canceled. Cancellation, minimums or "show up" fees will not be paid when cancellation is made 12 hours prior to beginning of the event. Failure to cancel within 12 hours will not be cause for payment for cancellation, minimums, or "show up" time. Payment of actual "show up" time to the event site due to cancellation will be on a case-by-case basis at a maximum of 2 hours per officer.

Alterations to the cancellation and maximum rate must be approved by the Engineer or pre-determined by official policy of the officer's governing authority.

Project Number: 645419001
County: TRAVIS, ETC.
Highway: US 290, ETC.

Sheet: 3C
Control: 6454-19-001

Project Number: 645419001
County: TRAVIS, ETC.
Highway: US 290, ETC.

Sheet: 3C
Control: 6454-19-001

ITEM 8 – PROSECUTION AND PROGRESS

Working days will be charged in accordance with 8.3.1.4, “Standard Workweek.”

ITEM 100 - PREPARING RIGHT OF WAY

Prep ROW must not begin until accessible trees designated for preservation have been protected, items listed in the EPIC have been addressed, and SW3P controls installed in accessible areas.

Follow Item 752.4 Work Methods and Item 752 general notes when removing or working on or near trees and brush.

ITEM 420, 425, 441, & 462 - STRUCTURES

Bridge Vertical Clearance and Traffic Handling

Notify TxDOT project staff and the local bridge engineer 10 business days prior to the following: change in vertical clearance, placing beams/girders over traffic, opening or removing traffic from a bridge or portion of a bridge, and completion of bridge work. This requirement includes bridge class culverts. Provide vertical clearance for all structures (including signal mast arms, span wires, and overhead sign bridge structures) within the project limit. Submit information and notices to local bridge engineer at AUS_BRG_Notify@txdot.gov.

ITEM 429 - CONCRETE STRUCTURE REPAIR

Refer to TxDOT Concrete Repair Manual (2021) for all concrete structure repair requirements and details.

ITEM 432 - RIPRAP

Mow strip riprap will be 4 in. and all other riprap will be 5 in. unless otherwise shown on the plans or in the pay items. Mow strip for cable barrier may be placed monolithically with the barrier foundations if using concrete in accordance with Item 543. Fiber reinforcement is not allowed except in mow strip for cable barrier if foundation and mow strip are placed monolithically.

Saw-cut existing riprap then epoxy 12 in. long No. 3 or No. 4 bars 6 in. deep at a maximum spacing of 18 in. in each direction to tie new riprap to existing riprap. This work is subsidiary.

For cement-stabilized riprap, provide Type A Grade 5 flexible base. Compressive strengths for Item 247 are waived.

SGT approach taper, paid using mow strip item, shall be installed using concrete, flexible base coated with SS-1 at a rate of 0.12 GAL/SY, or HMA Type B/C/D. Placement shall be ordinary compaction and does not require placement using an asphalt paver.

ITEM 454 - BRIDGE EXPANSION JOINTS

Apply protection System II in accordance with Item 446 to armor joint.

For Header-Type Expansion Joints, go to the following TxDOT website for approved systems:
<https://www.txdot.gov/inside-txdot/division/bridge/approved-systems/expansion-joints.html>
<http://ftp.dot.state.tx.us/pub/txdot-info/cmd/mpl/polyconc.pdf>

For Asphalt-Plug Expansion Joints, go to the following TxDOT website for approved systems:
<https://www.txdot.gov/inside-txdot/division/bridge/approved-systems/expansion-joints.html>

<http://ftp.dot.state.tx.us/pub/txdot-info/cmd/mpl/jtsealrs.pdf>

ITEM 502 - BARRICADES, SIGNS, AND TRAFFIC HANDLING

Table 1

Roadway	Limits	Allowable Closure Time
IH 35	All (1 lane closed)	9 P to 5 A
IH 35	All (2 lanes closed, see allowable work below)	9 P to 5 A
IH 35	All (2 lanes closed, all work)	11 P to 5 A
SH 45	US 183 to SH130	8 P to 5 A
LP 1	William Cannon to Parmer Lane	8 P to 5 A
US 183	SH 29 to FM 1327	8 P to 5 A
SH 71	SH 130 to IH 35	8 P to 5 A
SH 71	SH 304 to Tahitian Drive	8 P to 5 A
SH 71	US 290 W to RM 3238	8 P to 5 A
US 290 W	IH 35 to Nutty Brown Rd	8 P to 5 A
US 290 E	IH 35 to SH 95	8 P to 5 A
FM 734	FM 1431 to US 290 E	8 P to 5 A
US 79	IH 35 to Bus 79 in Taylor	8 P to 5 A
RM 1431	Lohmans Ford Rd to IH 35	8 P to 5 A
SH 29	LP 332 western terminus to SH 130	8 P to 5 A
SH 80	Charles Austin to River Road	8 P to 5 A
RM 2222	All	8 P to 5 A
RM 620	All	8 P to 5 A
RM 2244	All	8 P to 5 A
SPUR 69	All	8 P to 5 A
LP 360	All	8 P to 5 A
LP 343	All	8 P to 5 A
LP 275	All	8 P to 5 A
FM 1325	All	8 P to 5 A
All	Within 200' of a signalized intersection	9 P to 5 A
All	All (Full Closure, see allowable work below)	11 P to 4 A

Table 3 (Mobile Operations)

Roadway	Allowable Sun Night thru Fri Noon	Allowable Sat thru Sun Morn
Within Austin City Limits	10 A to 2 P and 7 P to 6 A	7 P to 10 A
Outside Austin City Limits	9 A to 3 P and 7 P to 7 A	6 P to 11 A
IH 35 main lanes	10 P to 5 A	9 P to 9 A
AADT over 50,000	8 P to 6 A	8 P to 10 A

Project Number: 645419001
County: TRAVIS, ETC.
Highway: US 290, ETC.

Sheet: 3D
Control: 6454-19-001

For roadways without defined allowable closure times, nighttime lane closures will be allowed from 7 P to 6 A. Unless stated, daytime or Friday night lane closures will not be allowed and one lane in each direction will remain open at all times for all roadways.

Two lanes closed on IH 35 allowed to begin at 9 P for main lane (shoulder work not included) hotmix overlay or pavement repair operations (does not include bridge joint work).

Full closures only allowed Sunday Night thru Friday morning for bridge beam installation, bridge demolition, or OSB truss removal/installation. Full closures only allowed for roadways with frontage roads or if a designated detour route is provided in the plans.

No closures will be allowed on the weekends, working day prior, and working day after the National Holidays defined in the Standard Specifications, Good Friday, and Easter weekend. Closures the Sunday of the Super Bowl will not be allowed from 1 P to 11 P. No closures will be allowed on Friday and the weekends for projects within 20 miles of Formula 1 at COTA, ACL Fest, SXSW, ROT Rally, UT home football games (includes games not on a Friday or weekend), sales tax holiday, Dell Match Play (includes Thursday) or other special events that could be impacted by the construction. All lanes will be open by noon of the day before these special events.

To account for directional traffic volumes, begin and end times of closures may be shifted equally by the Engineer. The closure duration will remain. Added compensation is not allowed. Submit an emailed request for a lane closure (LCN) to TxDOT. The email will be submitted in the format provided. Receive concurrence prior to implementation. Submit a cancellation of lane closures a minimum of 18 hours prior to implementation. Blanket requests for extended periods are not allowed. Max duration of a request is 2 weeks prior to requiring resubmittal. Provide 2-hour notice prior to implementation and immediately upon removal of the closure. For roadways listed in Table 1: Submit the request 96 hours prior to implementation.

For roadways not listed in Table 1: Submit the request a minimum of 48 hours prior to the closure and by the following deadline immediately prior to the closure: 11A on Tuesday or 11A on Friday.

For all roadways: Submit request for traffic detours and full roadway closures 168 hours prior to implementation. Submit request for nighttime work 96 hours to implementation date. Cancellations of accepted closures (not applicable to full closures or detours) due to weather will not require resubmission in accordance with the above restrictions if the work is completed during the next allowable closure time.

Closures that conflict with adjacent contractor will be prioritized according to critical path work per latest schedule. Conflicting critical path or non-critical work will be approved for first LCN submitted. Denial of a closure due to prioritization or other reasons will not be reason for time suspension, delay, overhead, etc.

Cover, relocate or remove existing signs that conflict with traffic control. Install all permanent signs, delineation, and object markers required for the operation of the roadway before opening to traffic.

Project Number: 645419001
County: TRAVIS, ETC.
Highway: US 290, ETC.

Sheet: 3D
Control: 6454-19-001

Use of temporary mounts is allowed or may be required until the permanent mounts are installed or not impacted by construction. Maintain the temporary mounts. This work is subsidiary.

Meet with the Engineer prior to lane closures to ensure that sufficient equipment, materials, devices, and workers will be used. Take immediate action to modify traffic control, if at any time the queue becomes greater than 20 minutes. Have a contingency plan of how modification will occur. Consider inclement weather prior to implementing the lane closures. Do not set up traffic control when the pavement is wet.

Place a 28-inch cone, meeting requirements of BC (10), on top of foundations that have protruding studs. This work is subsidiary.

Edge condition treatment types must be in accordance with the TxDOT standard. Installation and removal of a safety slope is subsidiary.

To determine a speed limit or an advisory speed limit, submit a request to TxDOT 60 business days prior to manufacture of the sign.

The Contractor Force Account "Safety Contingency" that has been established for this project is intended to be utilized for work zone enhancements, to improve the effectiveness of the Traffic Control Plan, that could not be foreseen in the project planning and design stage. These enhancements will be mutually agreed upon by the Engineer and the Contractor's Responsible Person based on weekly or more frequent traffic management reviews on the project. The Engineer may choose to use existing bid items if it does not slow the implementation of enhancement.

One-way Traffic Control will be subsidiary.

ITEM 505 – TRUCK MOUNTED ATTENUATOR AND TRAILER ATTENUATOR

The TMA/TA used for installation/removal of traffic control for a work area will be subsidiary to the TMA/TA used to perform the work.

The contractor will be responsible for determining if one or more operations will be ongoing at the same time to determine the total number of TMA/TA required for the work. TMA/TAs paid by the day is full compensation for all worksite locations during an entire day.

TMA/TAs used to protect damaged attenuators will be paid by the day using the force account item for the repair.

ITEM 790 – LANE CLOSURES

Payment for lane closure hourly maintenance will be considered subsidiary to the bid item.



Estimate & Quantity Sheet

CONTROLLING PROJECT ID 6454-19-001

DISTRICT Austin
HIGHWAY US0290

COUNTY Travis

CONTROL SECTION JOB				6454-19-001		TOTAL EST.	TOTAL FINAL
PROJECT ID				A00203459			
COUNTY				Travis			
HIGHWAY				US0290			
ALT	BID CODE	DESCRIPTION	UNIT	EST.	FINAL		
	100-7001	PREPARING ROW	AC	0.190		0.190	
	401-7001	FLOWABLE BACKFILL	CY	0.200		0.200	
	429-7007	CONC STR REPAIR (VERTICAL & OVERHEAD)	SF	68.900		68.900	
	432-7026	RIPRAP (STONE TY R)(GROUT)(8 IN)	CY	69.000		69.000	
	432-7027	RIPRAP (STONE TY R)(GROUT)(18 IN)	CY	151.000		151.000	
	438-7004	CLEANING AND SEALING EXIST JOINTS (CL3)	LF	401.500		401.500	
	438-7007	CLEANING AND SEALING EXIST JOINTS (CL7)	LF	734.000		734.000	
	500-7001	MOBILIZATION	LS	1.000		1.000	
	502-7001	BARRICADES, SIGNS AND TRAFFIC HANDLING	MO	6.000		6.000	
	503-7002	PORTABLE CHANGEABLE MESSAGE SIGN	EA	2.000		2.000	
	505-7001	TMA (STATIONARY)	DAY	38.000		38.000	
	506-7039	TEMP SEDMT CONT FENCE (INSTALL)	LF	215.000		215.000	
	506-7041	TEMP SEDMT CONT FENCE (REMOVE)	LF	215.000		215.000	
	790-7006	LANE CLOSURE(SETUP & REM)(TYP 6)	EA	10.000		10.000	
	790-7019	LANE CLOSURE(SETUP & REM)(TYP 19)	EA	4.000		4.000	

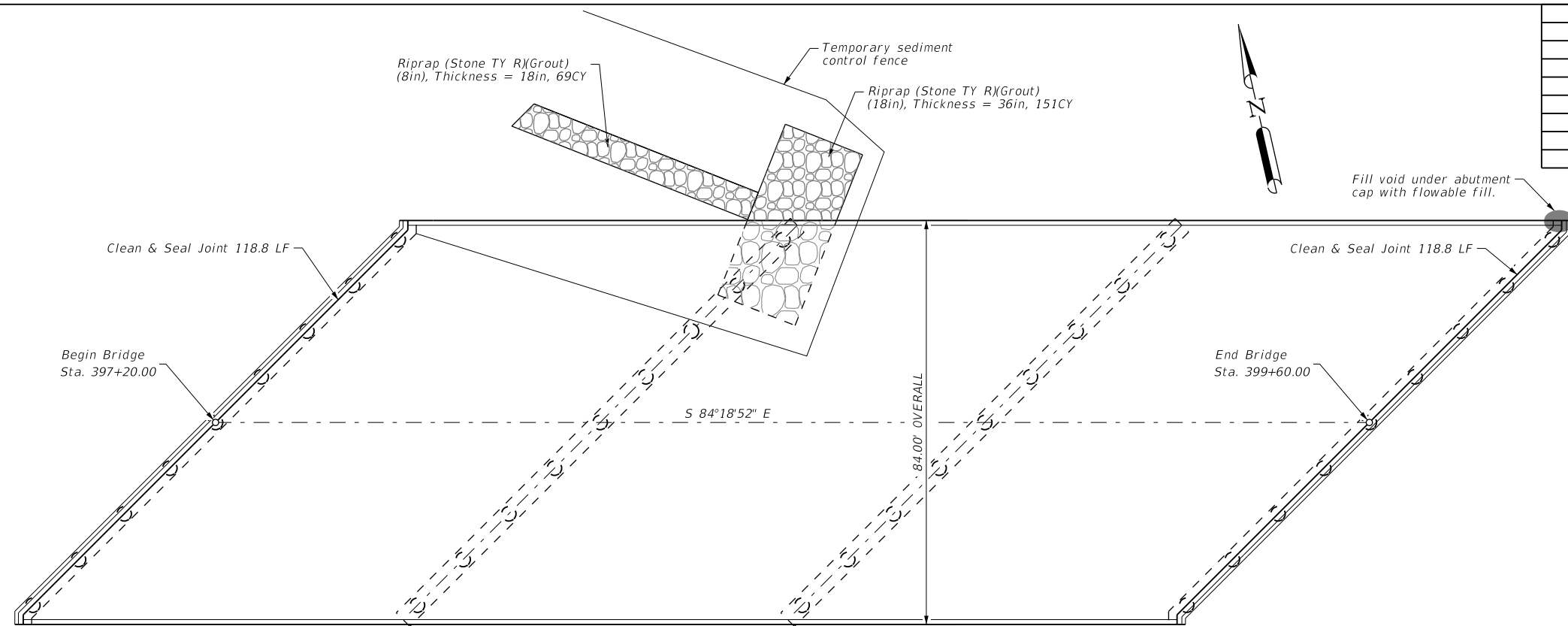
ESTIMATED QUANTITIES										
CSJ 6454-19-001				STRUCTURE	STRUCTURE	STRUCTURE	STRUCTURE	STRUCTURE	STRUCTURE	PROJECT TOTALS
				14-087-0-0113-02-468 GILLESPIE CO	14-027-0-0700-01-033 BURNET CO	14-227-0-3417-01-009 TRAVIS CO	14-227-0-3417-01-007 TRAVIS CO	14-087-0-0113-17-074 GILLESPIE CO	14-087-0-0072-01-193 GILLESPIE CO	
				US290 OVER SOUTH GRAPE CREEK	SH 71 OVER FLAT ROCK CREEK	FM 734 EB OVER WALNUT CRK TRIB	FM 734 EB UNION PACIFIC RR	PR 49 OVER PEDERNALES RIVER	US 87 OVER PEDERNALES RIVER	QUANTITIES
LATITUDE:				30.22326085	30.50613796	30.42127197	30.4326593	30.24215325	30.2206452	
LONGITUDE:				-98.7258606	-98.28382312	-97.7063449	-97.72945532	-98.60547454	-98.87004834	
ITEM	CODE	DESCRIPTION	UNIT	QUANTITIES	QUANTITIES	QUANTITIES	QUANTITIES	QUANTITIES	QUANTITIES	QUANTITIES
100	7001	PREPARING ROW	AC	0.19						0.19
401	7001	FLOWABLE BACKFILL	CY	0.2						0.2
429	7007	CONC STR REPAIR (VERTICAL & OVERHEAD)	SF			4.0	16.8	48.1		68.9
432	7026	RIPRAP (STONE TY R) (GROUT) (8 IN)	CY	69.0						69.0
432	7027	RIPRAP (STONE TY R) (GROUT) (18 IN)	CY	151.0						151.0
438	7004	CLEANING AND SEALING EXIST JOINTS (CL3)	LF				114.0	56.5	231.0	401.5
438	7007	CLEANING AND SEALING EXIST JOINTS (CL7)	LF	238.0	336.0	160.0				734.0
500	7001	MOBILIZATION	LS	1						1
506	7039	TEMP SEDMT CONT FENCE (INSTALL)	LF	215.0						215.0
506	7041	TEMP SEDMT CONT FENCE (REMOVE)	LF	215.0						215.0
502	7001	BARRICADES, SIGNS AND TRAFFIC HANDLING	MO	1	1	1	1	1	1	6
503	7002	PORTABLE CHANGEABLE MESSAGE SIGN	EA	2						2
505	7001	TMA (STATIONARY)	DAY	4	8	8	8	4	6	38
790	7006	LANE CLOSURE (SETUP AND REMOV)(TY 6)	EA	2	2	2	2		2	10
790	7019	LANE CLOSURE (SETUP AND REMOV)(TY 19)	EA					4		4



ESTIMATED QUANTITIES

FED. RD. DIV. NO.	PROJECT NO.			HIGHWAY NO.
				US 290, ETC.
DESIGNED: DNP	STATE	STATE DIST. NO.	COUNTY	SHEET NO.
CHECKED: WD	TEXAS	AUSTIN	TRAVIS, ETC.	
DRAWN: MS	CONT.	SECT.	JOB	
CHECKED: DNP	6454	19	001	5

TABLE OF ESTIMATED QUANTITIES			
ITEM	DESCRIPTION	QUANTITY	UNIT
401 7001	FLOWABLE BACKFILL	0.2	CY
432 7026	RIPRAP (STONE TY R) (GROUT) (8 IN)	69.0	CY
432 7027	RIPRAP (STONE TY R) (GROUT) (18 IN)	151.0	CY
438 7007	CLEANING AND SEALING EXIST JOINTS (CL7)	238.0	LF
500 7001	MOBILIZATION	1.0	LS
506 7039	TEMP SEDMT CONT FENCE (INSTALL)	215.0	LF
506 7041	TEMP SEDMT CONT FENCE (REMOVE)	215.0	LF

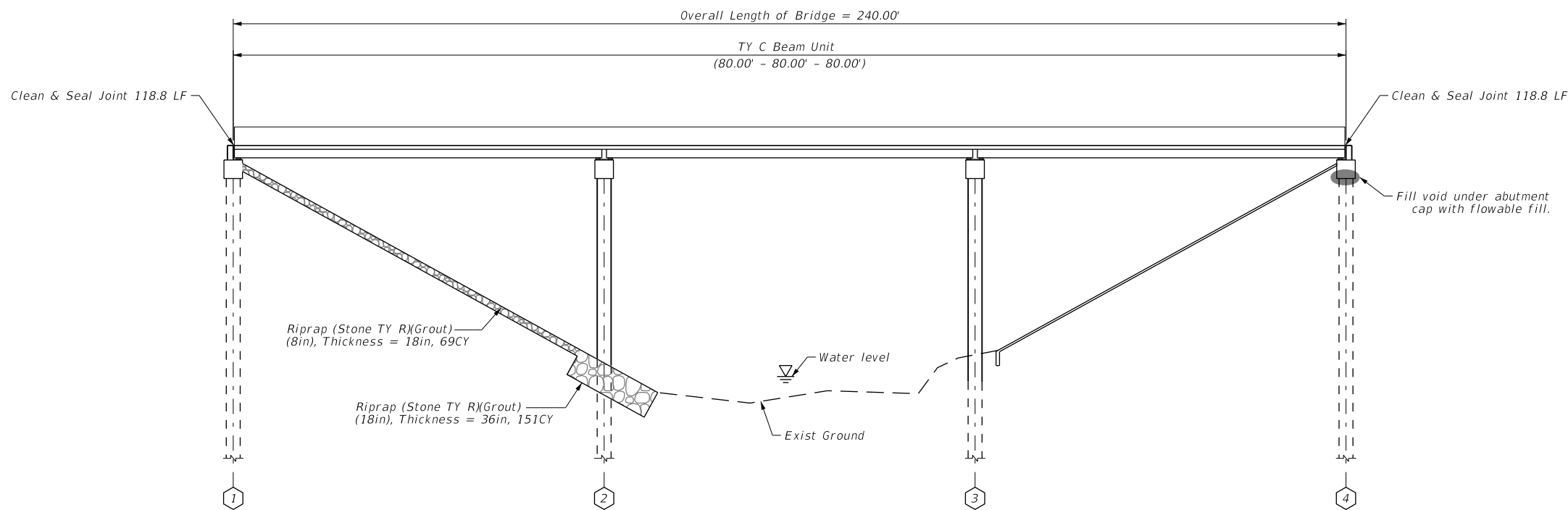


PLAN

GENERAL NOTES

Refer to Cleaning and Sealing Existing Bridge Joints sheets, Armor Joint & Detail "C".

NBI: 14-087-0-0113-02-468



ELEVATION



US 290 over South Grape Creek Bridge Layout

FED. RD. DIV. NO.	PROJECT NO.			HIGHWAY NO.
				US 290, ETC.
DESIGNED: DNP	STATE	STATE DIST. NO.	COUNTY	SHEET NO.
CHECKED: WO	TEXAS	AUSTIN	TRAVIS, ETC.	
DRAWN: MS	CONT.	SECT.	JOB	
CHECKED: DNP	6454	19	001	6

GENERAL REQUIREMENTS:

NOTES:

1. INSTALL ALL TRAFFIC CONTROL DEVICES AND ADVANCE WARNING SIGNS IN ACCORDANCE WITH THE TXDOT BARRICADE AND CONSTRUCTION (BC(1-12)-21) STANDARDS, TRAFFIC CONTROL PLAN (TCP(2-(1-8))) STANDARDS, AND THE LATEST EDITION OF THE TEXAS MANUAL OF UNIFORM TRAFFIC CONTROL DEVICES (MUTCD).
2. PLACE ALL TEMPORARY STORM WATER POLLUTION PREVENTION PLAN (SWP3) DEVICES AS SHOWN ON THE PLANS AND AS DIRECTED BY THE ENGINEER. MAINTAIN ALL EROSION CONTROL DEVICES AND RELOCATE AS REQUIRED THROUGHOUT CONSTRUCTION.
3. LOCATE ALL UTILITIES WITHIN THE WORKZONE.
4. APPLY TXDOT TRAFFIC CONTROL PLAN (TCP) AND WORK ZONE (WZ) STANDARDS FOR TRAFFIC CONTROL AS REQUIRED. ALL TRAFFIC OPERATIONS MUST BE APPROVED BY THE ENGINEER.
5. REFER TO GENERAL NOTES FOR MORE INFORMATION.
6. REMOVE ALL TEMPORARY EROSION CONTROL DEVICES AFTER CONSTRUCTION IS COMPLETE.
7. PERFORM FINAL CLEAN UP OF WORK AREA AND REMOVE ANY CONSTRUCTION MATERIAL AND TRAFFIC CONTROL DEVICES.
8. PERFORM ALL CONSTRUCTION DURING NIGHT TIME OPERATIONS.
9. RELOCATE CHANGEABLE MESSAGE SIGNS TO EACH LOCATION AS NEEDED. RELOCATION COST IS SUBSIDIARY TO BID ITEM 6001-6002 UNDER THIS CONTRACT.

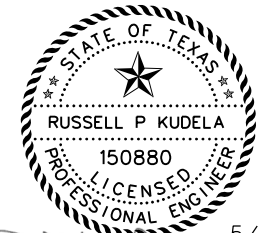
US 290 OVER SOUTH GRAPE CREEK

NOTES:

1. COMPLY WITH ALL GENERAL REQUIREMENTS NOTES.
2. CLOSE ONE HALF OF US 290 AT A TIME IN ACCORDANCE WITH STANDARD TCP (2-4b)-18.
3. ON US 290 KEEP OPEN AT ALL TIMES A MINIMUM OF ONE LANE IN EACH DIRECTION SEPARATED BY ONE, TWO-WAY, LEFT TURN LANE.
4. SHOULDERS MAY BE UTILIZED ON US 290 TO DIVERT TRAFFIC FROM WORKZONE.
5. USE ITEM TCP-2 TO DELINEATE LANES IN CONJUNCTION WITH CHANNELIZING DEVICES.

WORKZONE TCP QUANTITIES THIS SHEET

LOCATION	TCP-1	TCP-2	TCP-3	TCP-4
	502-7001	503-7002	505-7001	790-7006
	BARRICADES, SIGNS AND TRAFFIC HANDLING	PORTABLE CHANGEABLE MESSAGE SIGN	TMA (STATIONARY)	LANE CLOSURE (SETUP AND REMOV)(TY 6)
	MO	EA	DAY	EA
US 290 OVER SOUTH GRAPE CREEK	1	2	4	2
PROJECT TOTALS	1	2	4	2



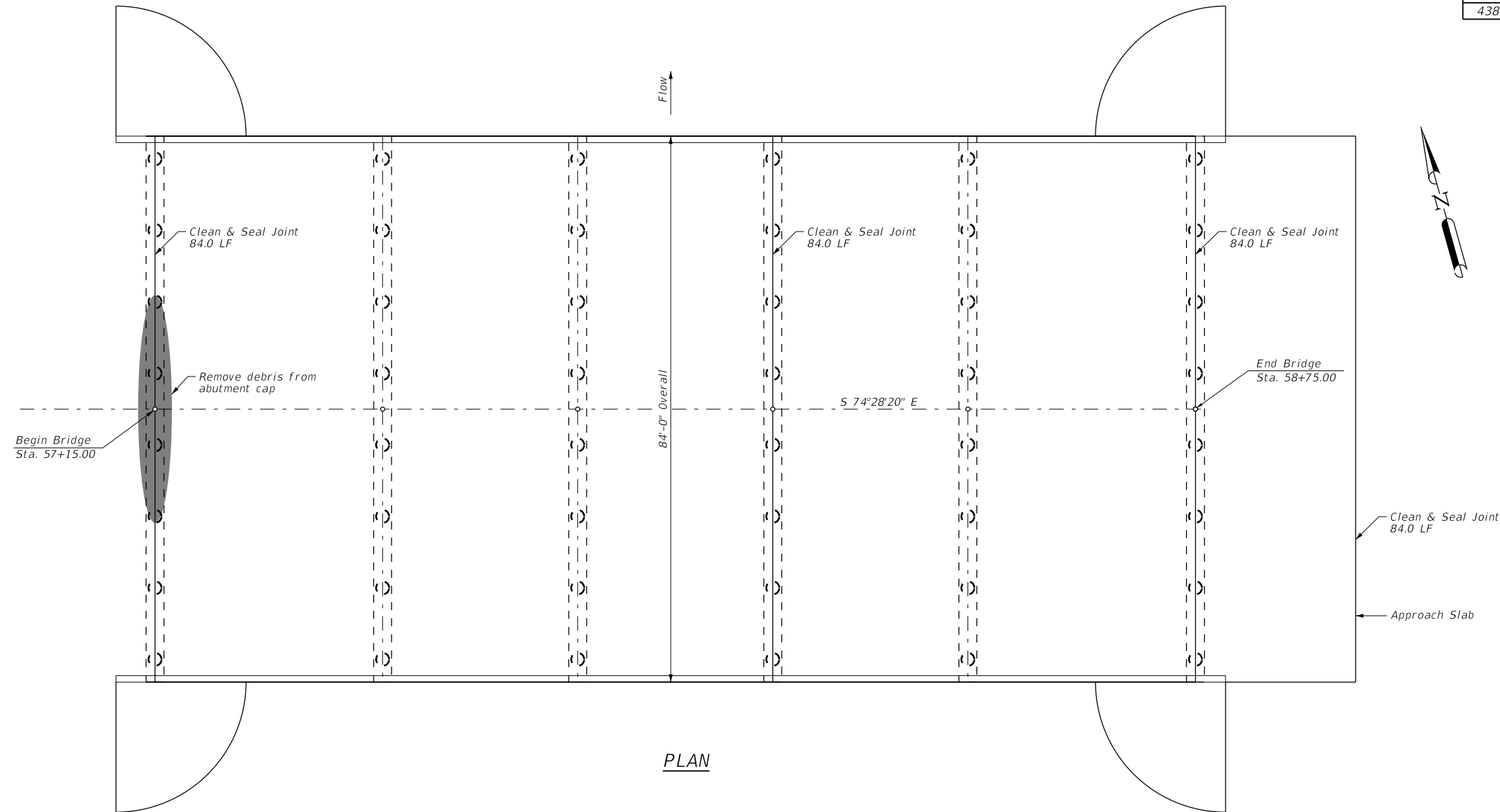
R. Kudela 5/31/2024



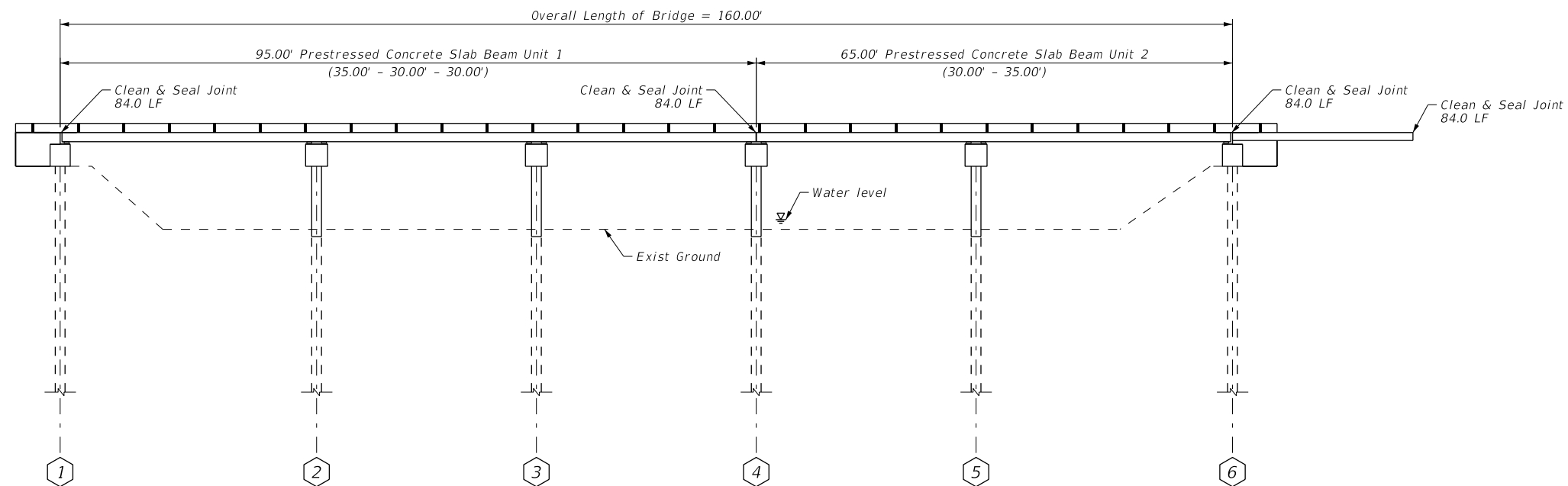
**US 290 OVER SOUTH GRAPE CREEK
TCP NARRATIVE & QUANTITIES**

FED. RD. DIV. NO.	PROJECT NO.			HIGHWAY NO.
				US 290, ETC.
DESIGNED: DW	STATE	STATE DIST. NO.	COUNTY	SHEET NO.
CHECKED: RK	TEXAS	AUSTIN	TRAVIS, ETC.	
DRAWN: DW	CONT.	SECT.	JOB	
CHECKED: RK	6454	19	001	7

TABLE OF ESTIMATED QUANTITIES			
ITEM	DESCRIPTION	QUANTITY	UNIT
438 7007	CLEANING AND SEALING EXIST JOINTS (CL7)	336.0	LF



PLAN

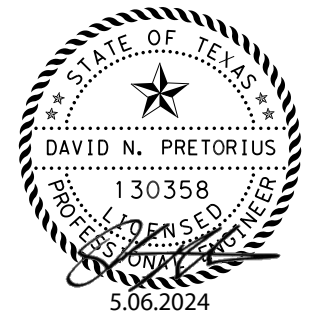


ELEVATION

GENERAL NOTES

Refer to Cleaning and Sealing Existing Bridge Joints sheets, Header Joint with Silicone Seal & Detail "D".
Removal of debris from abutment cap to be subsidiary to Cleaning & Sealing Joints

NBI: 14-027-0-0700-01-033



SH 71 over Flat Rock Creek Bridge Layout

FED. RD. DIV. NO.	PROJECT NO.	HIGHWAY NO.
		US 290, ETC.
DESIGNED: DNP	STATE	STATE DIST. NO.
CHECKED: CTH	TEXAS	AUSTIN TRAVIS, ETC.
DRAWN: GZ	CONT.	SECT. JOB
CHECKED: DNP	6454	19 001
SHEET NO.		
8		

GENERAL REQUIREMENTS:

NOTES:

1. INSTALL ALL TRAFFIC CONTROL DEVICES AND ADVANCE WARNING SIGNS IN ACCORDANCE WITH THE TXDOT BARRICADE AND CONSTRUCTION (BC(1-12)-21) STANDARDS, TRAFFIC CONTROL PLAN (TCP(2-(1-8))) STANDARDS, AND THE LATEST EDITION OF THE TEXAS MANUAL OF UNIFORM TRAFFIC CONTROL DEVICES (MUTCD).
2. PLACE ALL TEMPORARY STORM WATER POLLUTION PREVENTION PLAN (SWP3) DEVICES AS SHOWN ON THE PLANS AND AS DIRECTED BY THE ENGINEER. MAINTAIN ALL EROSION CONTROL DEVICES AND RELOCATE AS REQUIRED THROUGHOUT CONSTRUCTION.
3. LOCATE ALL UTILITIES WITHIN THE WORKZONE.
4. APPLY TXDOT TRAFFIC CONTROL PLAN (TCP) AND WORK ZONE (WZ) STANDARDS FOR TRAFFIC CONTROL AS REQUIRED. ALL TRAFFIC OPERATIONS MUST BE APPROVED BY THE ENGINEER.
5. REFER TO GENERAL NOTES FOR MORE INFORMATION.
6. REMOVE ALL TEMPORARY EROSION CONTROL DEVICES AFTER CONSTRUCTION IS COMPLETE.
7. PERFORM FINAL CLEAN UP OF WORK AREA AND REMOVE ANY CONSTRUCTION MATERIAL AND TRAFFIC CONTROL DEVICES.
8. PERFORM ALL CONSTRUCTION DURING NIGHT TIME OPERATIONS.
9. RELOCATE CHANGEABLE MESSAGE SIGNS TO EACH LOCATION AS NEEDED. RELOCATION COST IS SUBSIDIARY TO BID ITEM 6001-6002 UNDER THIS CONTRACT.

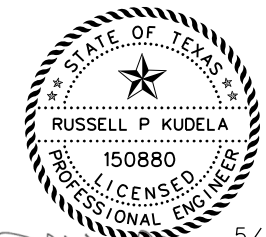
SH 71 OVER FLAT ROCK CREEK

NOTES:

1. COMPLY WITH ALL GENERAL REQUIREMENTS NOTES.
2. CLOSE ONE HALF OF SH 71 AT A TIME IN ACCORDANCE WITH STANDARD TCP (2-4b)-18.
3. KEEP MINIMUM ONE LANE IN EACH DIRECTION ON SH 71 OPEN AT ALL TIMES.
4. SHOULDERS MAY BE UTILIZED ON SH 71 TO DIVERT TRAFFIC FROM WORKZONE.
5. USE ITEM TCP-2 TO DELINEATE LANES IN CONJUNCTION WITH CHANNELIZING DEVICES.

WORKZONE TCP QUANTITIES THIS SHEET

LOCATION	TCP-1	TCP-2	TCP-3
	502-7001	505-7001	790-7006
	BARRICADES, SIGNS AND TRAFFIC HANDLING	TMA (STATIONARY)	LANE CLOSURE (SETUP AND REMOV)(TY 6)
	MO	DAY	EA
SH 71 OVER FLAT ROCK CREEK	1	8	2
PROJECT TOTALS	1	8	2



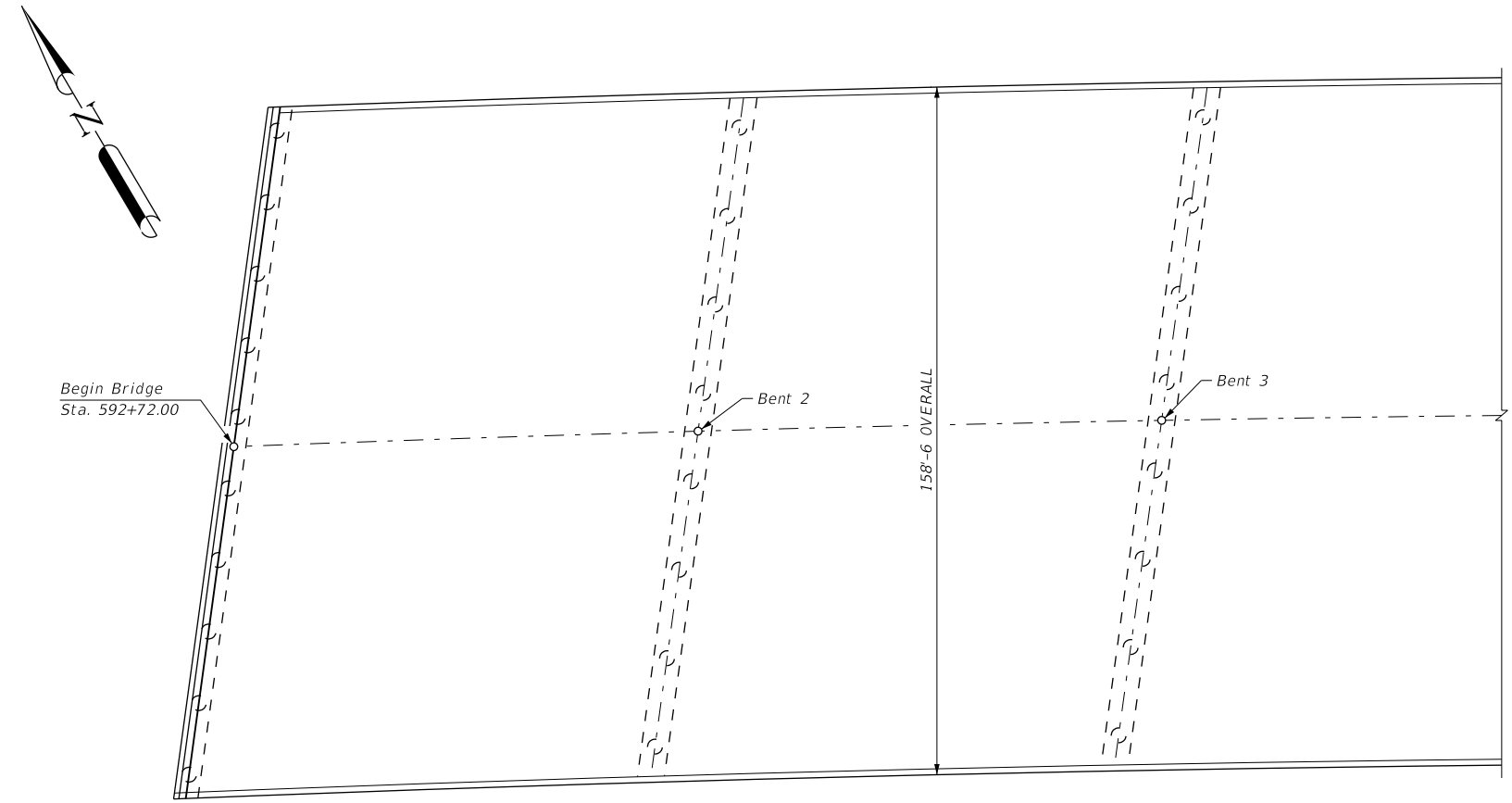
5/31/2024



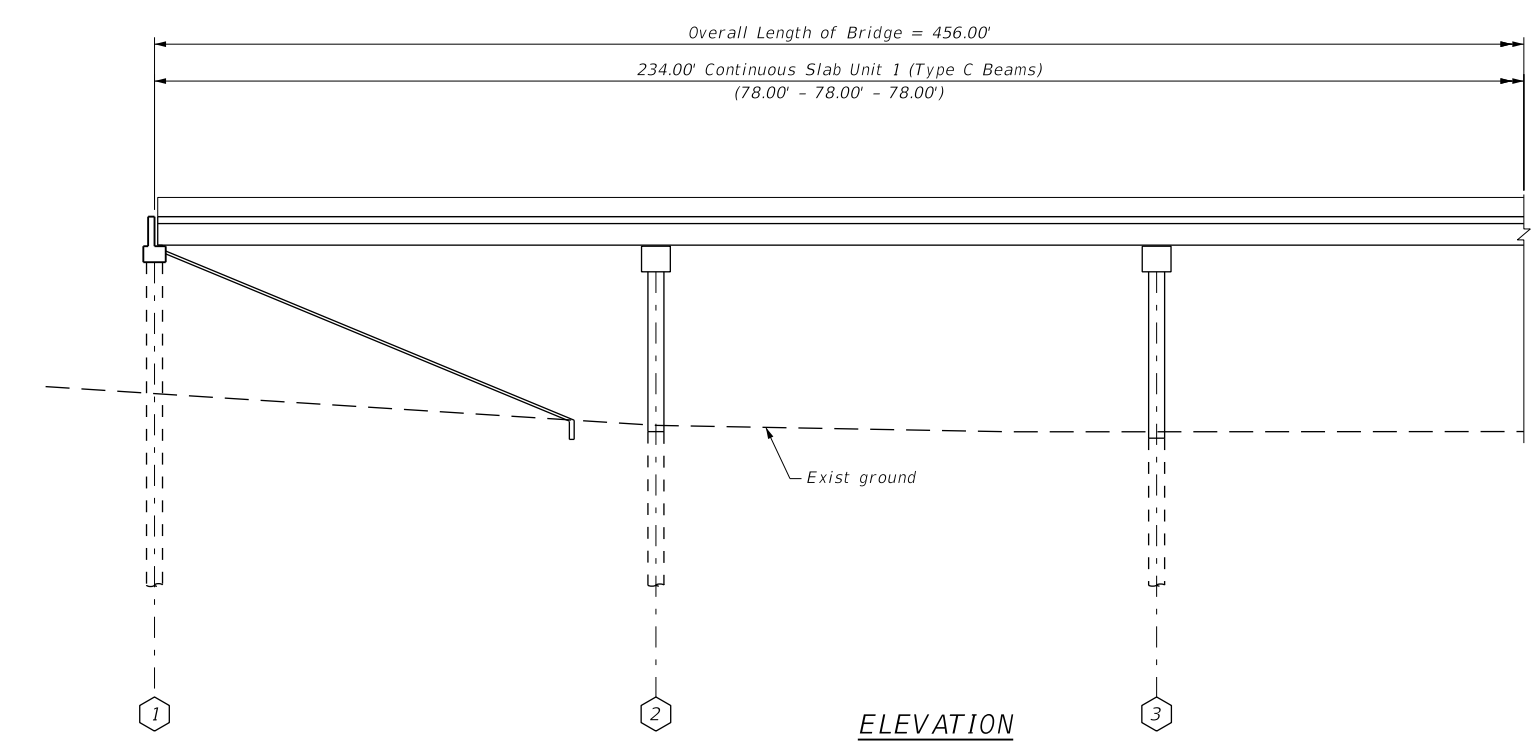
SH 71 OVER
FLAT ROCK CREEK
TCP NARRATIVE & QUANTITIES

FED. RD. DIV. NO.	PROJECT NO.			HIGHWAY NO.
				US 290, ETC.
DESIGNED: DW	STATE	STATE DIST. NO.	COUNTY	SHEET NO.
CHECKED: RK	TEXAS	AUSTIN	TRAVIS, ETC.	
DRAWN: DW	CONT.	SECT.	JOB	
CHECKED: RK	6454	19	001	9

TABLE OF ESTIMATED QUANTITIES			
ITEM	DESCRIPTION	QUANTITY	UNIT
429 7007	CONC STR REPAIR (VERTICAL & OVERHEAD)	4.0	SF
438 7007	CLEANING AND SEALING EXIST JOINTS (CL7)	160.0	LF



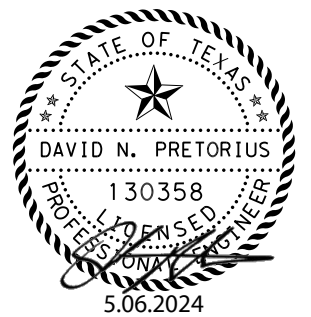
PLAN



ELEVATION

GENERAL NOTES
Refer to Cleaning and Sealing Existing Bridge Joints sheets, Header Joint with Silicone Seal & Detail "D".
Refer to Spall Repair Details sheets.

NBI: 14-227-0-3417-01-009

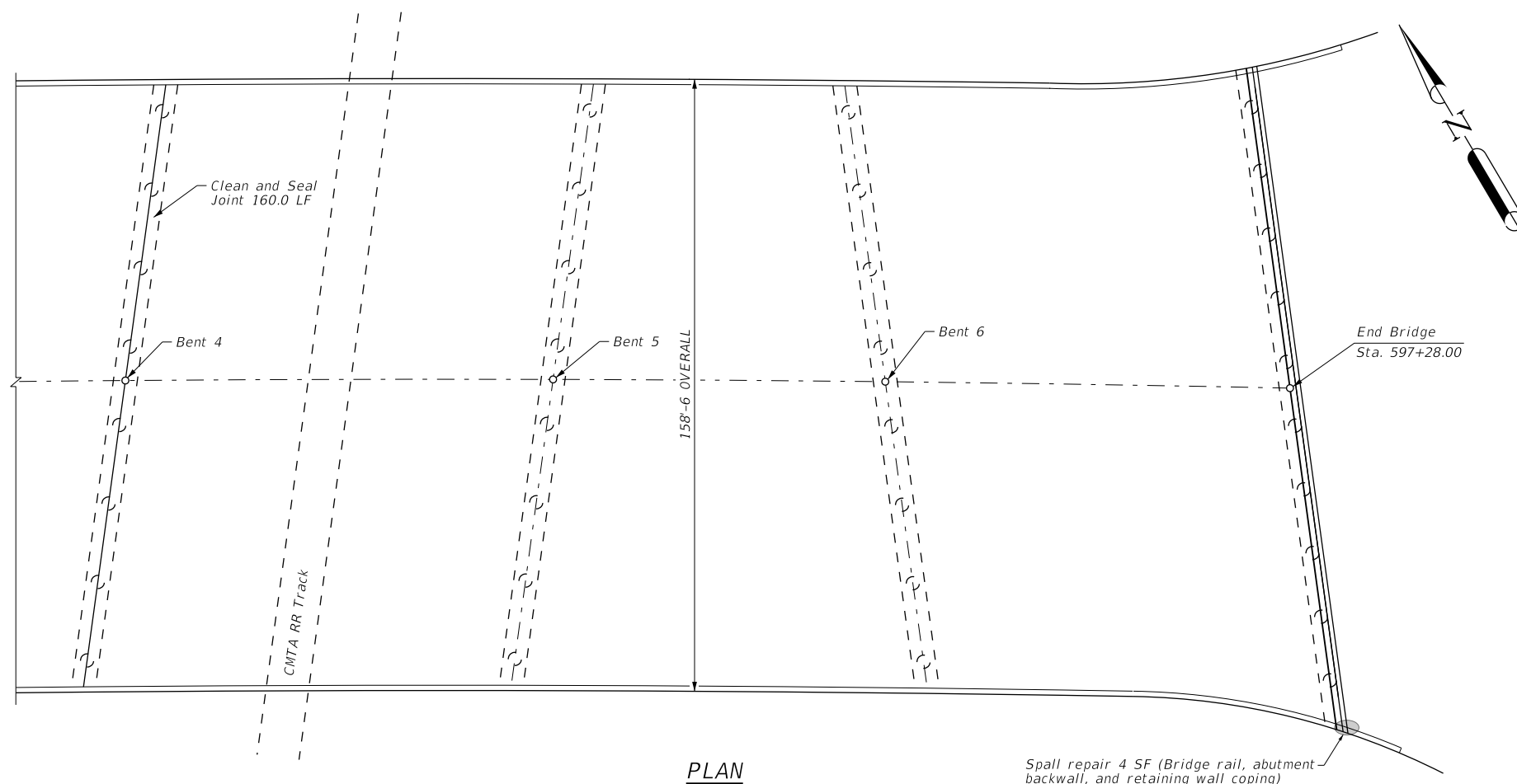


FM 734 EB over
Walnut Creek Trib / CMTA RR
Bridge Layout

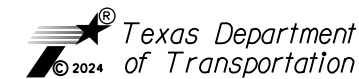
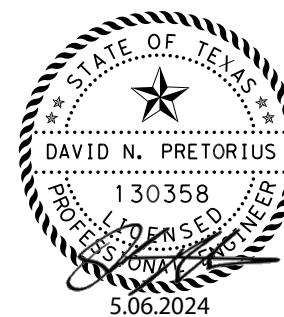
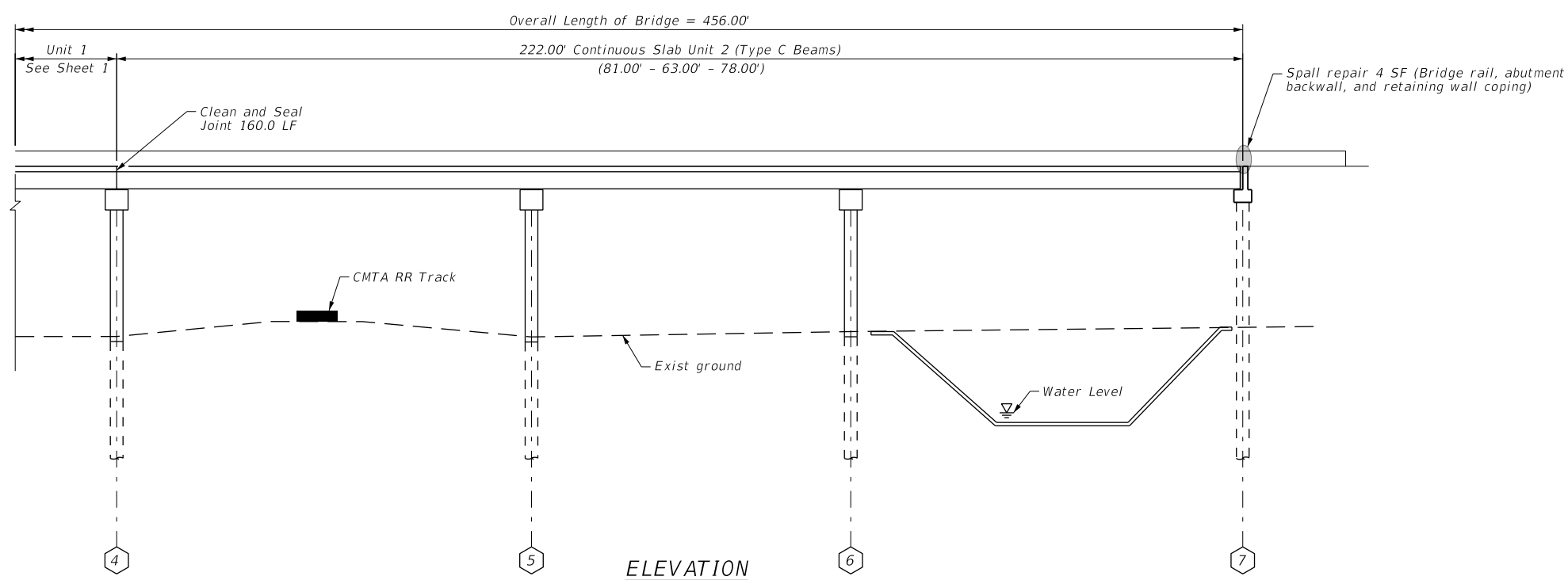
SHEET 1 OF 2

FED. RD. DIV. NO.	PROJECT NO.			HIGHWAY NO.
				US290, ETC.
DESIGNED: DNP	STATE	STATE DIST. NO.	COUNTY	SHEET NO.
CHECKED: WO	TEXAS	AUSTIN	TRAVIS, ETC.	
DRAWN: MS	CONT.	SECT.	JOB	
CHECKED: DNP	6454	19	001	10

9:10:35 AM 5/6/2024 c:\working\jja-pw-bentley.com\jja-pw-01\marcos silva\ms9687\Bridge_23 FM 734 EB.dgn



NBI: 14-227-0-3417-01-009



FM 734 EB over
Walnut Creek Trib / CMTA RR
Bridge Layout

SHEET 2 OF 2

FED. RD. DIV. NO.	PROJECT NO.			HIGHWAY NO.
				US290, ETC.
DESIGNED: DNP	STATE	STATE DIST. NO.	COUNTY	SHEET NO.
CHECKED: WO	TEXAS	AUSTIN	TRAVIS, ETC.	
DRAWN: MS	CONT.	SECT.	JOB	
CHECKED: DNP	6454	19	001	11

GENERAL REQUIREMENTS:

NOTES:

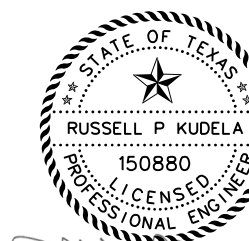
1. INSTALL ALL TRAFFIC CONTROL DEVICES AND ADVANCE WARNING SIGNS IN ACCORDANCE WITH THE TXDOT BARRICADE AND CONSTRUCTION (BC(1-12)-21) STANDARDS, TRAFFIC CONTROL PLAN (TCP(2-(1-8))) STANDARDS, AND THE LATEST EDITION OF THE TEXAS MANUAL OF UNIFORM TRAFFIC CONTROL DEVICES (MUTCD).
2. PLACE ALL TEMPORARY STORM WATER POLLUTION PREVENTION PLAN (SWP3) DEVICES AS SHOWN ON THE PLANS AND AS DIRECTED BY THE ENGINEER. MAINTAIN ALL EROSION CONTROL DEVICES AND RELOCATE AS REQUIRED THROUGHOUT CONSTRUCTION.
3. LOCATE ALL UTILITIES WITHIN THE WORKZONE.
4. APPLY TXDOT TRAFFIC CONTROL PLAN (TCP) AND WORK ZONE (WZ) STANDARDS FOR TRAFFIC CONTROL AS REQUIRED. ALL TRAFFIC OPERATIONS MUST BE APPROVED BY THE ENGINEER.
5. REFER TO GENERAL NOTES FOR MORE INFORMATION.
6. REMOVE ALL TEMPORARY EROSION CONTROL DEVICES AFTER CONSTRUCTION IS COMPLETE.
7. PERFORM FINAL CLEAN UP OF WORK AREA AND REMOVE ANY CONSTRUCTION MATERIAL AND TRAFFIC CONTROL DEVICES.
8. PERFORM ALL CONSTRUCTION DURING NIGHT TIME OPERATIONS.
9. RELOCATE CHANGEABLE MESSAGE SIGNS TO EACH LOCATION AS NEEDED. RELOCATION COST IS SUBSIDIARY TO BID ITEM 6001-6002 UNDER THIS CONTRACT.

FM 734 EB OVER WALNUT CRK TRIB

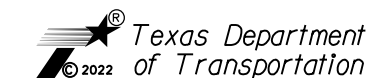
NOTES:

1. COMPLY WITH ALL GENERAL REQUIREMENTS NOTES.
2. CLOSE ONE HALF OF FM 734 EB AT A TIME IN ACCORDANCE WITH STANDARD TCP (2-6b)-18.
3. KEEP MINIMUM TWO LANES ON FM 734 EB OPEN AT ALL TIMES.
4. USE ITEM TCP-2 TO DELINEATE LANES IN CONJUNCTION WITH CHANNELIZING DEVICES.

WORKZONE TCP QUANTITIES THIS SHEET			
LOCATION	TCP-1	TCP-2	TCP-3
	502-7001	505-7001	790-7006
	BARRICADES, SIGNS AND TRAFFIC HANDLING	TMA (STATIONARY)	LANE CLOSURE (SETUP AND REMOV)(TY 6)
	MO	DAY	EA
FM 734 EB (PARMER) OVER WALNUT CRK TRIB/ CMTA RR	1	8	2
PROJECT TOTALS	1	8	2



R. Kudela 5/31/2024



**FM 734 EB OVER
WALNUT CREEK TRIB/ CMTA RR
TCP NARRATIVE & QUANTITIES**

FED. RD. DIV. NO.	PROJECT NO.			HIGHWAY NO.
				US 290, ETC.
DESIGNED: DW	STATE	STATE DIST. NO.	COUNTY	SHEET NO.
CHECKED: RK	TEXAS	AUSTIN	TRAVIS, ETC.	
DRAWN: DW	CONT.	SECT.	JOB	
CHECKED: RK	6454	19	001	12

DISCLAIMER:
 The use of this standard is governed by the "Texas Engineering Practice Act." No warranty of any kind is made by TxDOT for any purpose whatsoever. TxDOT assumes no responsibility for the conversion of this standard to other formats or for incorrect results or damages resulting from its use.

I. WORK AT CROSSING LOCATIONS (AT GRADE, HIGHWAY OVERPASS, HIGHWAY UNDERPASS, PEDESTRIAN, OR CLOSED/ABANDONED)

This project is adjacent or parallel work, not within RR ROW:
 DOT No.: 900252L
 Crossing Type: PUBLIC
 RR Company Operating Track at Crossing: CMTA
 RR Company Owning Track at Crossing: CMTA
 RR MP: 0068.56
 RR Subdivision: CENTRAL
 City: AUSTIN
 County: TRAVIS
 CSJ at this Crossing: 6454-19-001
 Latitude: 30.4210974
 Longitude: -97.7052998

Scope of Work, including any TCP, to be performed by State Contractor:

Spall repair and cleaning and sealing joints on the bridge. TCP for cleaning and sealing joints will consist of closing FM 734 one half at a time in accordance with Standard TCP 2-6 -18.

Scope of Work to be performed by Railroad Company:

N/A

II. FLAGGING & INSPECTION

No. of Days of Railroad Flagging Expected: (1) day
 On this project, night or weekend flagging is:
 Expected
 Not Expected

Flagging services will be provided by:

- Railroad Company: 1) Txdot will pay flagging invoices. Flagging Agreement with railroad will be needed or, 2) Permitted crossing, Railroad company to provide flagging.
 Outside Party: Contractor will pay flagging invoices to be reimbursed by TxDOT

Contractor must incorporate flaggers into anticipated construction schedule. The Railroad requires a 30-day notice if their flaggers are to be utilized. If Contractor falls behind schedule due to their own negligence and is not ready for scheduled flaggers, any flagging charges will be paid by Contractor.

Contact Information for Flagging:

- UPRR** UP.info@railpros.com
 Call Center 877-315-0513, Select #1 for flagging
 UP.request@nrssinc.net
 Call Center 877-984-6777
 BNSF BNSFinfo@railprosfs.com
 Call Center 877-315-0513, Select #1 for flagging
 CPKCR KCS.info@railpros.com
 Call Center 877-315-0513, Select #1 for flagging
 Bottom Line On-Track Safety Services
 bottomline076@aol.com, 903-767-7630

OTHERS:
 CAP METRO: WESLEY BROWN
 (737) 354-1625
 WESLEY.BROWN@CAPMETRO.ORG

Contractor must incorporate railroad construction inspection into anticipated construction schedule.

Not Required
 Required. Contact Information for Construction Inspection:

III. CONSTRUCTION WORK TO BE PERFORMED BY THE RAILROAD

Required.
 Not Required
 Railroad Point of Contact: _____

Coordinate with TxDOT for any work to be performed by the Railroad Company. TxDOT must issue a work order for any work done by the Railroad Company prior to the work being performed.

IV. RAILROAD INSURANCE REQUIREMENTS

The Contractor shall confirm the insurance requirements with the Railroad as the insurance limits are subject to change without notice.

Insurance policies and corresponding certificates of insurance must be issued by the contractor on behalf of the Railroad. Separate insurance policies and certificates are required when more than one Railroad Company is operating on the same right of way, or when several Railroad Companies are involved and operate on their own separate right of ways.

No direct compensation will be made to the Contractor for providing the insurance coverages shown below or any deductibles. These costs are incidental to the various bid items.

Escalated Limits	
Type of Insurance	Amount of Coverage (Minimum)
Workers Compensation	\$500,000 / \$500,000 / \$500,000
Commercial General Liability	\$2,000,000 / \$4,000,000
Business Automobile	\$2,000,000

Railroad Protective Liability Limits	
<input type="checkbox"/> Not Required	
<input type="checkbox"/> Non - Bridge/Typical Maintenance Projects. Includes repairs to overpass/underpass and culvert structures	\$2,000,000 / \$6,000,000
<input type="checkbox"/> Bridge Structure Projects. Includes new construction or replacement of overpass/underpass structures	\$5,000,000 / \$10,000,000
<input checked="" type="checkbox"/> Other: <u>\$5,000,000 / \$5,000,000</u>	

V. CONTRACTOR'S RIGHT OF ENTRY (CROE)

- Not Required
 Required: UPRR Maintenance Consent Letter, TxDOT to assist
 Required: TxDOT to assist in obtaining the UPRR CROE
 Required: Contractor to obtain
 - BNSF: _____
https://bnsf.railpermitting.com
 - CPKCR
https://llrpg.360works.com/fmi/webd/rpo_web_kcs.fmp12
 - Other Railroads: HTTPS://WWW.CAPMETRO.ORG/RAILROW

To view previously approved CROE templates agreed upon between the State and Railroad, see: <https://www.txdot.gov/business/resources/railroad-highway-crossing/sample-right-of-entry-agreements.html>

Approved CROE templates are not to be modified by the Contractor.

Contractor shall not operate within Railroad Right of Way without an executed Construction & Maintenance Agreement between the State and the Railroad and an executed CROE between the Contractor and the Railroad if required on project.

VI. RAILROAD COORDINATION MEETING

A Railroad Coordination Meeting is required. See item 5, Article 8.1, of the Standard Specifications for Construction and Maintenance of Highways, Streets and Bridges Manual for more details.

VII. RAILROAD SAFETY ORIENTATION

A. Complete the Railroad's course "Orientation for Contractor's Safety," and maintain registration prior to working on the Railroad's property. This course is required to be completed annually by Contractor and Subcontractor personnel working on site.

UPRR, BNSF, CPKCR will not accept on-track safety training certificates from other Railroads. Refer to each Railroad's specific contractor right of entry for training information.

Know and follow the Contractor's Right of Entry Agreement EXHIBIT D, MINIMUM SAFETY REQUIREMENTS regarding clothing, personal protective equipment, and general safety requirements.

VIII. SUBCONTRACTORS

Contractor shall not subcontract work without written consent of TxDOT. Subcontractors are subject to the same insurance requirements as the Prime Contractor.

IX. EMERGENCY NOTIFICATION

In Case of Railroad Emergency
 Call: CAPITAL METROPOLITAN TRANSPORTATION AUTHORITY
 Railroad Emergency Line at: 844-592-8046
 Location: DOT 900252L
 RR Milepost: 0068.56
 Subdivision: CENTRAL

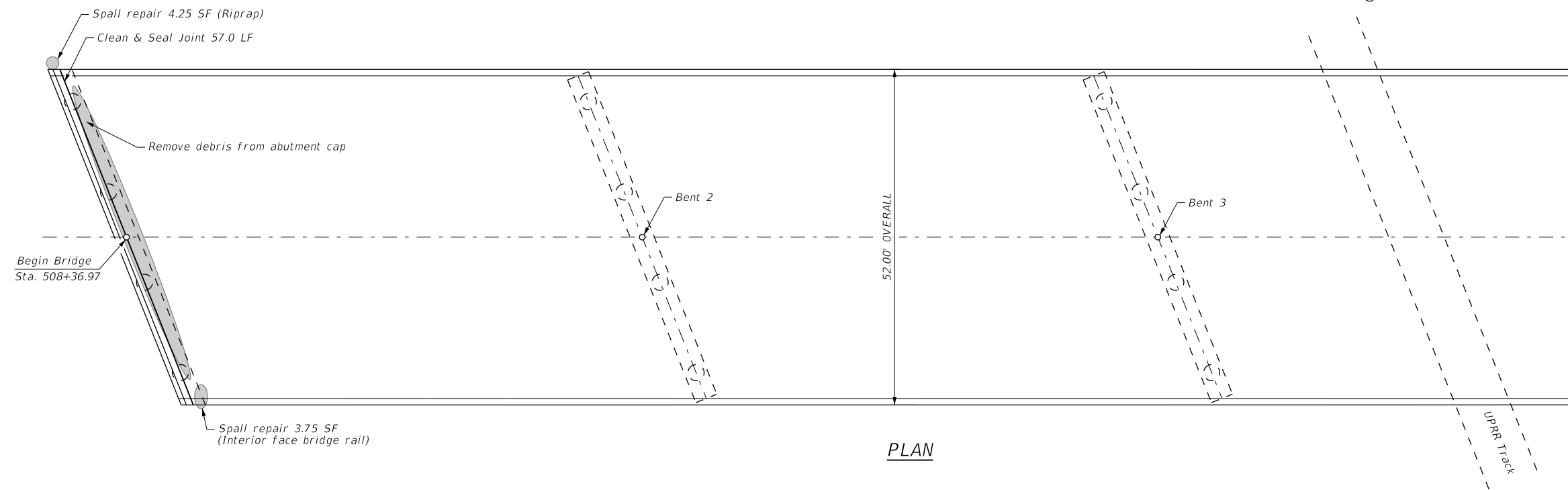
RRD Review Only
 Initials: _____
 Date: 06/26/2024



**RAILROAD SCOPE OF WORK
PROJECT SPECIFIC DETAILS**

FILE: rscope-of-work.pdf	DN: TxDOT	CK:	DW:	CK:
© TxDOT June 2014	CONT	SECT	JOB	HIGHWAY
REVISIONS	6454	19	001	US201c
8/2023	CRST	COUNTY	SHEET NO.	
	AUS	TRAVIS	13	

TABLE OF ESTIMATED QUANTITIES			
ITEM	DESCRIPTION	QUANTITY	UNIT
429 7007	CONC STR REPAIR (VERTICAL & OVERHEAD)	16.8	SF
438 7004	CLEANING AND SEALING EXIST JOINTS (CL3)	114.0	LF



PLAN

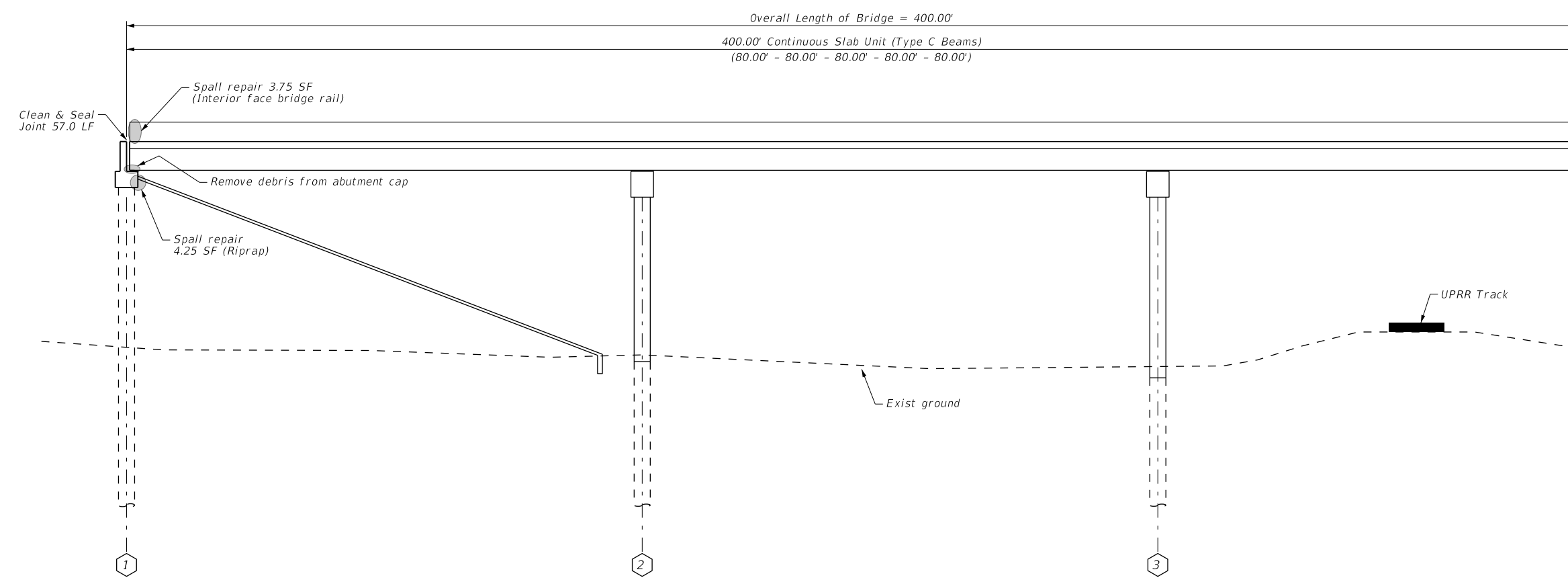
GENERAL NOTES

Refer to *Cleaning and Sealing Existing Bridge Joints* sheets, *Joint W/ Hot-Poured Rubber Seal & Detail "B"*.

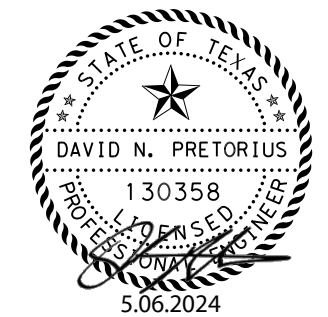
Refer to *Spall Repair Details* sheets.

Removal of debris from abutment cap and removal of the vines on bent 5 are to be subsidiary to *Cleaning & Sealing Joints*.

NBI: 14-227-0-3417-01-007



ELEVATION

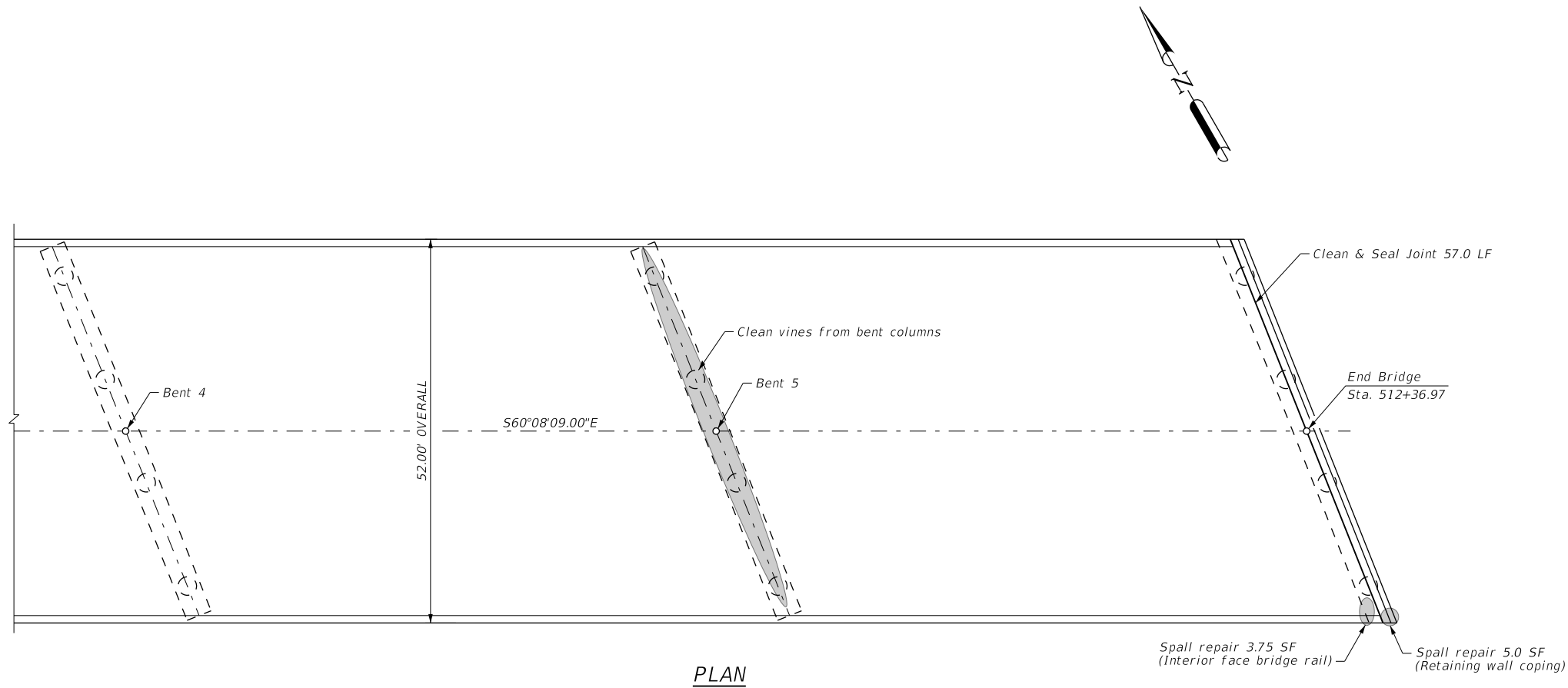


FM 734 EB over
Union Pacific RR
Bridge Layout

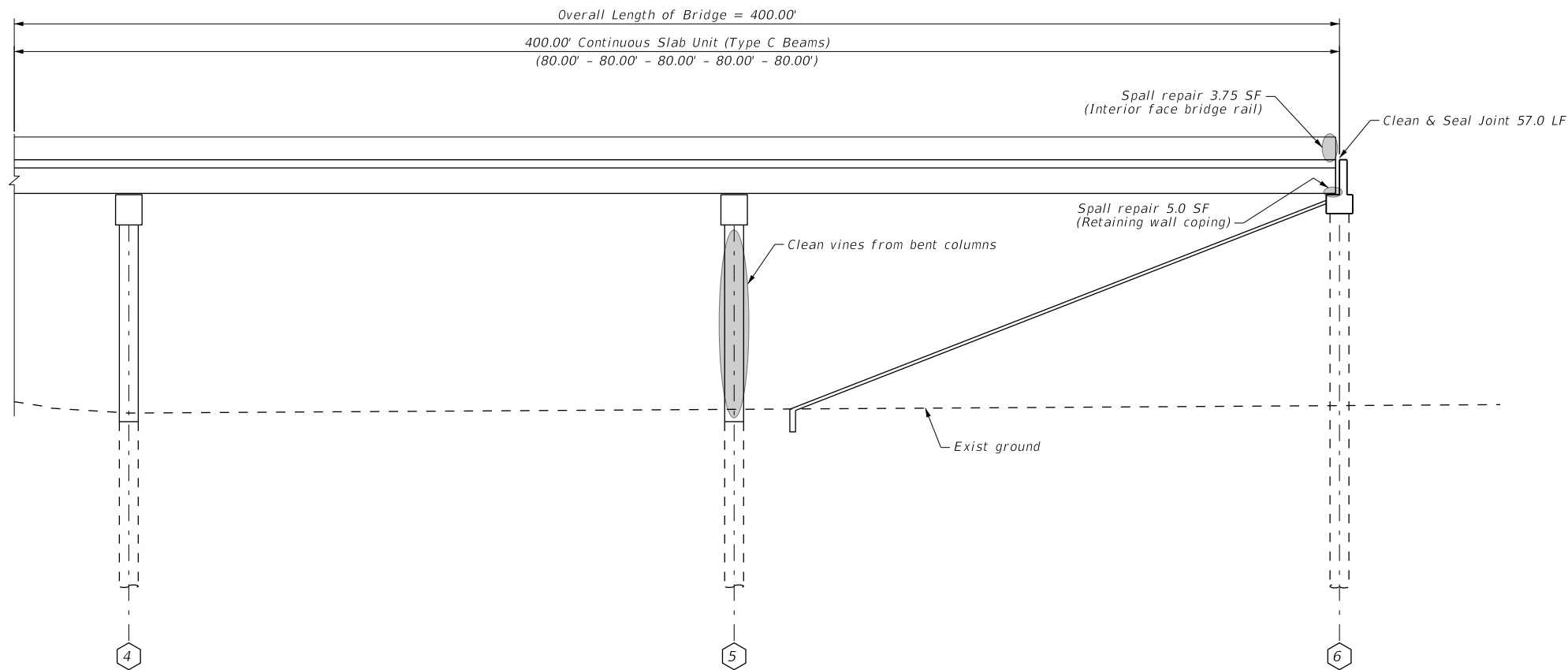
SHEET 1 OF 2

FED. RD. DIV. NO.	PROJECT NO.	HIGHWAY NO.
		US290, ETC.
DESIGNED: DNP	STATE: TEXAS	STATE DIST. NO. COUNTY SHEET NO.
CHECKED: WO	AUSTIN TRAVIS, ETC.	
DRAWN: MS	CONT. SECT. JOB	
CHECKED: DNP	6454 19 001	14

9:30:41 AM 5/6/2024 c:\working\jlp-pw-bentley.com\jlp-pw-01\marcos silva\dms9670\Bridge-24_FM_734_EB.dgn

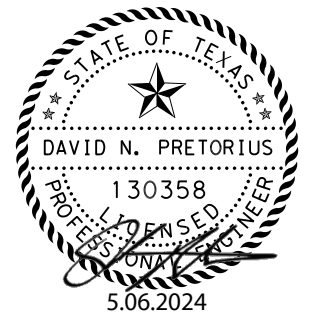


PLAN



ELEVATION

NBI: 14-227-0-3417-01-007



FM 734 EB over
Union Pacific RR
Bridge Layout

SHEET 2 OF 2

DESIGNED: DNP		STATE: TEXAS	STATE DIST. NO.: AUSTIN	COUNTY: TRAVIS, ETC.	HIGHWAY NO.: US290, ETC.
CHECKED: WO	DRAWN: MS	CONT.: 6454	SECT.: 19	JOB: 001	SHEET NO.: 15

9:30:41 AM 5/6/2024 c:\working\jlp-pw-bentley.com\jlp-pw-01\marcos silva\ms9670\Bridge-24_FM_734_EB.dgn

GENERAL REQUIREMENTS:

NOTES:

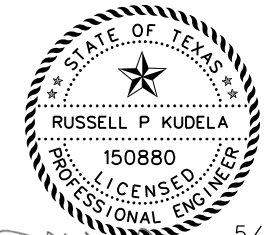
1. INSTALL ALL TRAFFIC CONTROL DEVICES AND ADVANCE WARNING SIGNS IN ACCORDANCE WITH THE TXDOT BARRICADE AND CONSTRUCTION (BC(1-12)-21) STANDARDS, TRAFFIC CONTROL PLAN (TCP(2-(1-8))) STANDARDS, AND THE LATEST EDITION OF THE TEXAS MANUAL OF UNIFORM TRAFFIC CONTROL DEVICES (MUTCD).
2. PLACE ALL TEMPORARY STORM WATER POLLUTION PREVENTION PLAN (SWP3) DEVICES AS SHOWN ON THE PLANS AND AS DIRECTED BY THE ENGINEER. MAINTAIN ALL EROSION CONTROL DEVICES AND RELOCATE AS REQUIRED THROUGHOUT CONSTRUCTION.
3. LOCATE ALL UTILITIES WITHIN THE WORKZONE.
4. APPLY TXDOT TRAFFIC CONTROL PLAN (TCP) AND WORK ZONE (WZ) STANDARDS FOR TRAFFIC CONTROL AS REQUIRED. ALL TRAFFIC OPERATIONS MUST BE APPROVED BY THE ENGINEER.
5. REFER TO GENERAL NOTES FOR MORE INFORMATION.
6. REMOVE ALL TEMPORARY EROSION CONTROL DEVICES AFTER CONSTRUCTION IS COMPLETE.
7. PERFORM FINAL CLEAN UP OF WORK AREA AND REMOVE ANY CONSTRUCTION MATERIAL AND TRAFFIC CONTROL DEVICES.
8. PERFORM ALL CONSTRUCTION DURING NIGHT TIME OPERATIONS.
9. RELOCATE CHANGEABLE MESSAGE SIGNS TO EACH LOCATION AS NEEDED. RELOCATION COST IS SUBSIDIARY TO BID ITEM 6001-6002 UNDER THIS CONTRACT.

FM 734 EB OVER UNION PACIFIC RR

NOTES:

1. COMPLY WITH ALL GENERAL REQUIREMENTS NOTES.
2. CLOSE ONE HALF OF FM 734 EB AT A TIME IN ACCORDANCE WITH STANDARD TCP (2-6a)-18.
3. KEEP MINIMUM TWO LANES ON FM 734 EB OPEN AT ALL TIMES.
4. SHOULDER MAY BE UTILIZED ON FM 734 EB TO DIVERT TRAFFIC FROM WORKZONE.
5. USE ITEM TCP-2 TO DELINEATE LANES IN CONJUNCTION WITH CHANNELIZING DEVICES.

WORKZONE TCP QUANTITIES THIS SHEET			
LOCATION	TCP-1	TCP-2	TCP-3
	502-7001	505-7001	790-7006
	BARRICADES, SIGNS AND TRAFFIC HANDLING	TMA (STATIONARY)	LANE CLOSURE (SETUP AND REMOV)(TY 6)
	MO	DAY	EA
FM 734 EB OVER UNION PACIFIC RR	1	8	2
PROJECT TOTALS	1	8	2



5/31/2024



FM 734 EB OVER
UNION PACIFIC RR
TCP NARRATIVE & QUANTITIES

FED. RD. DIV. NO.	PROJECT NO.			HIGHWAY NO.
				US 290, ETC.
DESIGNED: DW	STATE	STATE DIST. NO.	COUNTY	SHEET NO.
CHECKED: RK	TEXAS	AUSTIN	TRAVIS, ETC.	
DRAWN: DW	CONT.	SECT.	JOB	
CHECKED: RK	6454	19	001	16

DISCLAIMER:
 The use of this standard is governed by the "Texas Engineering Practice Act." No warranty of any kind is made by TxDOT for any purpose whatsoever. TxDOT assumes no responsibility for the conversion of this standard to other formats or for incorrect results or damages resulting from its use.

I. WORK AT CROSSING LOCATIONS (AT GRADE, HIGHWAY OVERPASS, HIGHWAY UNDERPASS, PEDESTRIAN, OR CLOSED/ABANDONED)

This project is adjacent or parallel work, not within RR ROW:
 DOT No.: 440510S
 Crossing Type: Public
 RR Company Operating Track at Crossing: Union Pacific
 RR Company Owning Track at Crossing: Union Pacific
 RR MP: 167.50
 RR Subdivision: Austin
 City: Austin
 County: Travis
 CSJ at this Crossing: 6454-19-001
 Latitude: 30.4325776
 Longitude: -97.7289456

Scope of Work, including any TCP, to be performed by State Contractor:

Spall repair and cleaning and sealing joints on the bridge. TCP for cleaning and sealing joints will consist of closing FM 734 one half at a time in accordance with Standard TCP 2-6 -18.

Scope of Work to be performed by Railroad Company:

N/A

II. FLAGGING & INSPECTION

No. of Days of Railroad Flagging Expected: (1) day
 On this project, night or weekend flagging is:
 Expected
 Not Expected

Flagging services will be provided by:

Railroad Company: 1) TxDOT will pay flagging invoices. Flagging Agreement with railroad will be needed or, 2) Permitted crossing. Railroad company to provide flagging.
 Outside Party: Contractor will pay flagging invoices to be reimbursed by TxDOT

Contractor must incorporate flaggers into anticipated construction schedule. The Railroad requires a 30-day notice if their flaggers are to be utilized. If Contractor falls behind schedule due to their own negligence and is not ready for scheduled flaggers, any flagging charges will be paid by Contractor.

Contact Information for Flagging:

UPRR UP.info@railpros.com
 Call Center 877-315-0513, Select #1 for flagging
UP.request@nrssinc.net
 Call Center 877-984-6777

BNSF BNSFinfo@railpros.com
 Call Center 877-315-0513, Select #1 for flagging

CPKCR KCS.info@railpros.com
 Call Center 877-315-0513, Select #1 for flagging
 Bottom Line On-Track Safety Services
bottomline076@aol.com, 903-767-7630

OTHERS:

Contractor must incorporate railroad construction inspection into anticipated construction schedule.

Not Required
 Required. Contact Information for Construction Inspection:

III. CONSTRUCTION WORK TO BE PERFORMED BY THE RAILROAD

Required.
 Not Required
 Railroad Point of Contact: _____

Coordinate with TxDOT for any work to be performed by the Railroad Company. TxDOT must issue a work order for any work done by the Railroad Company prior to the work being performed.

IV. RAILROAD INSURANCE REQUIREMENTS

The Contractor shall confirm the insurance requirements with the Railroad as the insurance limits are subject to change without notice.

Insurance policies and corresponding certificates of insurance must be issued by the contractor on behalf of the Railroad. Separate insurance policies and certificates are required when more than one Railroad Company is operating on the same right of way, or when several Railroad Companies are involved and operate on their own separate right of ways.

No direct compensation will be made to the Contractor for providing the insurance coverages shown below or any deductibles. These costs are incidental to the various bid items.

Escalated Limits	
Type of Insurance	Amount of Coverage (Minimum)
Workers Compensation	\$500,000 / \$500,000 / \$500,000
Commercial General Liability	\$2,000,000 / \$4,000,000
Business Automobile	\$2,000,000

Railroad Protective Liability Limits	
<input type="checkbox"/> Not Required	
<input checked="" type="checkbox"/> Non - Bridge/Typical Maintenance Projects. Includes repairs to overpass/underpass and culvert structures	\$2,000,000 / \$6,000,000
<input type="checkbox"/> Bridge Structure Projects. Includes new construction or replacement of overpass/underpass structures	\$5,000,000 / \$10,000,000
<input type="checkbox"/> Other: _____	

V. CONTRACTOR'S RIGHT OF ENTRY (CROE)

Not Required
 Required: UPRR Maintenance Consent Letter. TxDOT to assist
 Required: TxDOT to assist in obtaining the UPRR CROE
 Required: Contractor to obtain

- BNSF: _____
<https://bnsf.railpermitting.com>
- CPKCR
https://jillrpg.360works.com/fmi/webd/rpo_web_kcs.fmp12
- Other Railroads: _____

To view previously approved CROE templates agreed upon between the State and Railroad, see: <https://www.txdot.gov/business/resources/railroad-highway-crossing/sample-right-of-entry-agreements.html>

Approved CROE templates are not to be modified by the Contractor.

Contractor shall not operate within Railroad Right of Way without an executed Construction & Maintenance Agreement between the State and the Railroad and an executed CROE between the Contractor and the Railroad if required on project.

VI. RAILROAD COORDINATION MEETING

A Railroad Coordination Meeting is required. See item 5, Article 8.1, of the Standard Specifications for Construction and Maintenance of Highways, Streets and Bridges Manual for more details.

VII. RAILROAD SAFETY ORIENTATION

A. Complete the Railroad's course "Orientation for Contractor's Safety," and maintain registration prior to working on the Railroad's property. This course is required to be completed annually by Contractor and Subcontractor personnel working on site.

UPRR, BNSF, CPKCR will not accept on-track safety training certificates from other Railroads. Refer to each Railroad's specific contractor right of entry for training information.

Know and follow the Contractor's Right of Entry Agreement EXHIBIT D, MINIMUM SAFETY REQUIREMENTS regarding clothing, personal protective equipment, and general safety requirements.

VIII. SUBCONTRACTORS

Contractor shall not subcontract work without written consent of TxDOT. Subcontractors are subject to the same insurance requirements as the Prime Contractor.

IX. EMERGENCY NOTIFICATION

In Case of Railroad Emergency
 Call: Union Pacific Railroad Company
 Railroad Emergency Line at: 888-877-7267
 Location: DOT 440510S
 RR Milepost: 167.50
 Subdivision: Austin

RRD Review Only
 Initials: [Signature]
 Date: 06/26/2024

Rail Division

RAILROAD SCOPE OF WORK

PROJECT SPECIFIC DETAILS

FILE: rr-scope-of-work.pdf	DN: TxDOT	CK:	DW:	CK:
© TxDOT June 2014	CONT	SECT	JOB	HIGHWAY
4/2024	6454	19	001	US 290, Etc.
	DIST	COUNTY		SHEET NO.
	AUS	TRAVIS, Etc.		17

TABLE OF ESTIMATED QUANTITIES			
ITEM	DESCRIPTION	QUANTITY	UNIT
429 7007	CONC STR REPAIR (VERTICAL & OVERHEAD)	48.1	SF
438 7004	CLEANING AND SEALING EXIST JOINTS (CL3)	56.5	LF

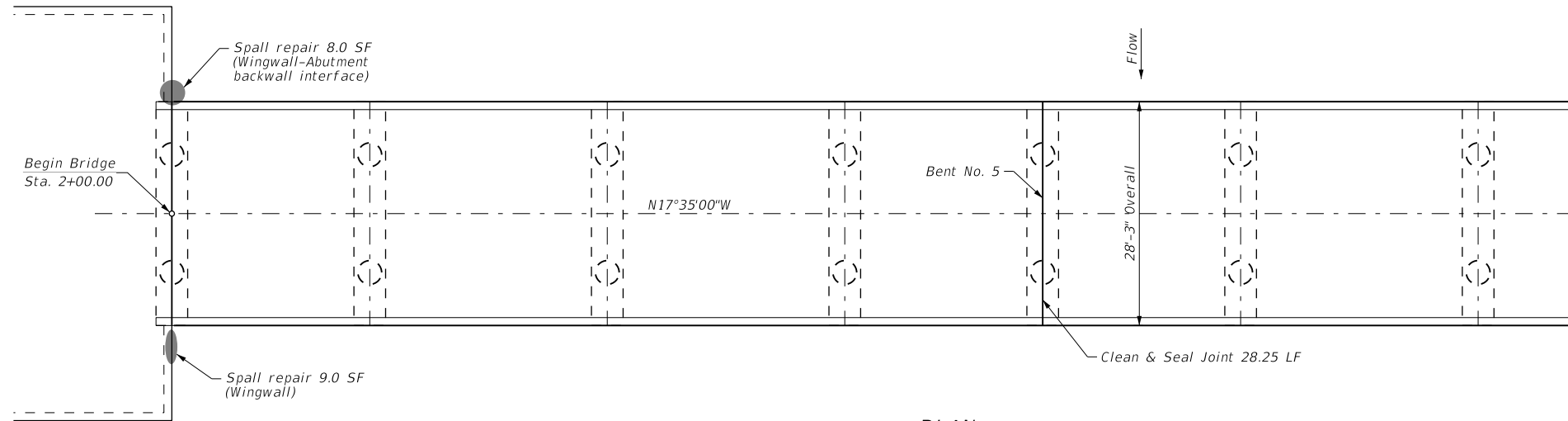
GENERAL NOTES:

Refer to Cleaning and Sealing Existing Bridge Joints sheets, Joint W/ Hot-Poured Rubber Seal & Detail "B".

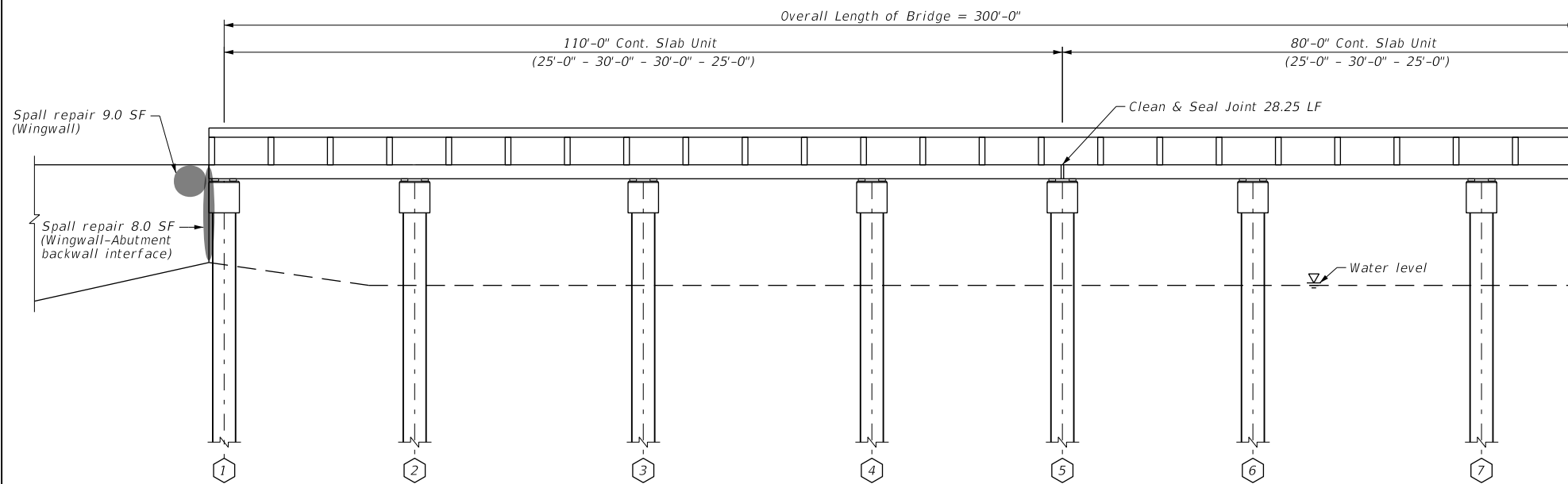
Refer to Spall Repair Details sheets.

Existing Structure number is missing or illegible. Include a new Structure Number, see "PAINTING STRUCTURE NUMBERS (PSN-19 (AUS)MOD)" standard sheet for more information.

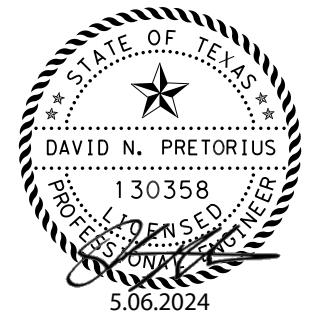
NBI: 14-087-0-0113-17-074



PLAN



ELEVATION

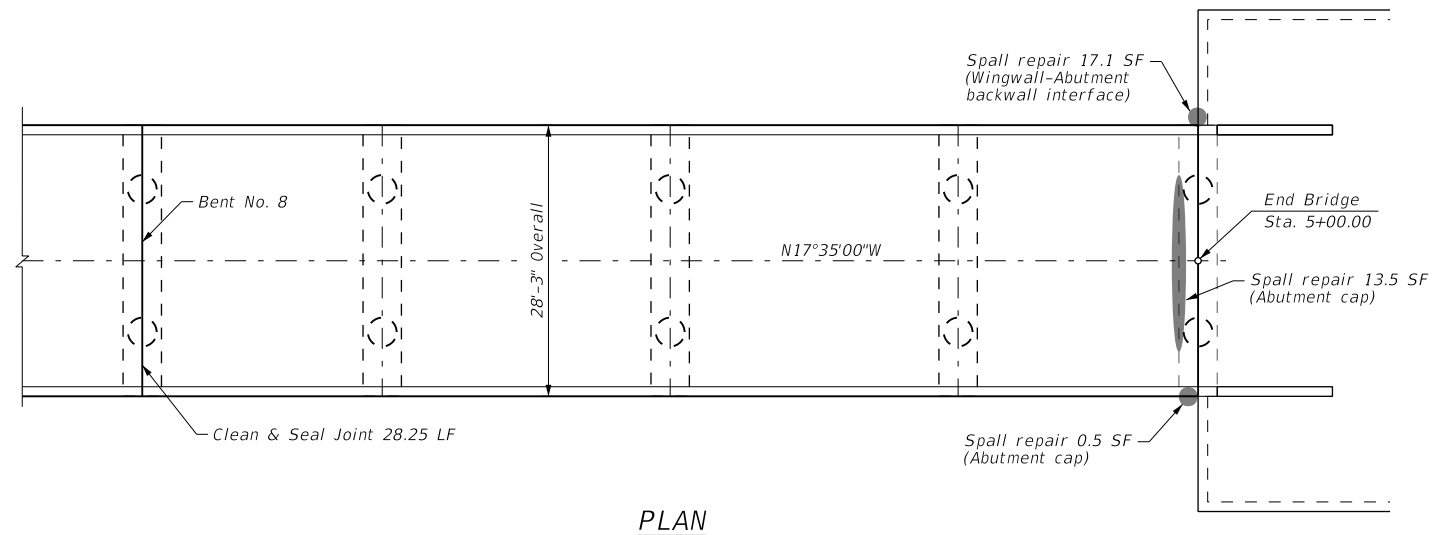
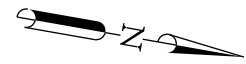


PR 49 over
Pedernales River
Bridge Layout

SHEET 1 OF 2

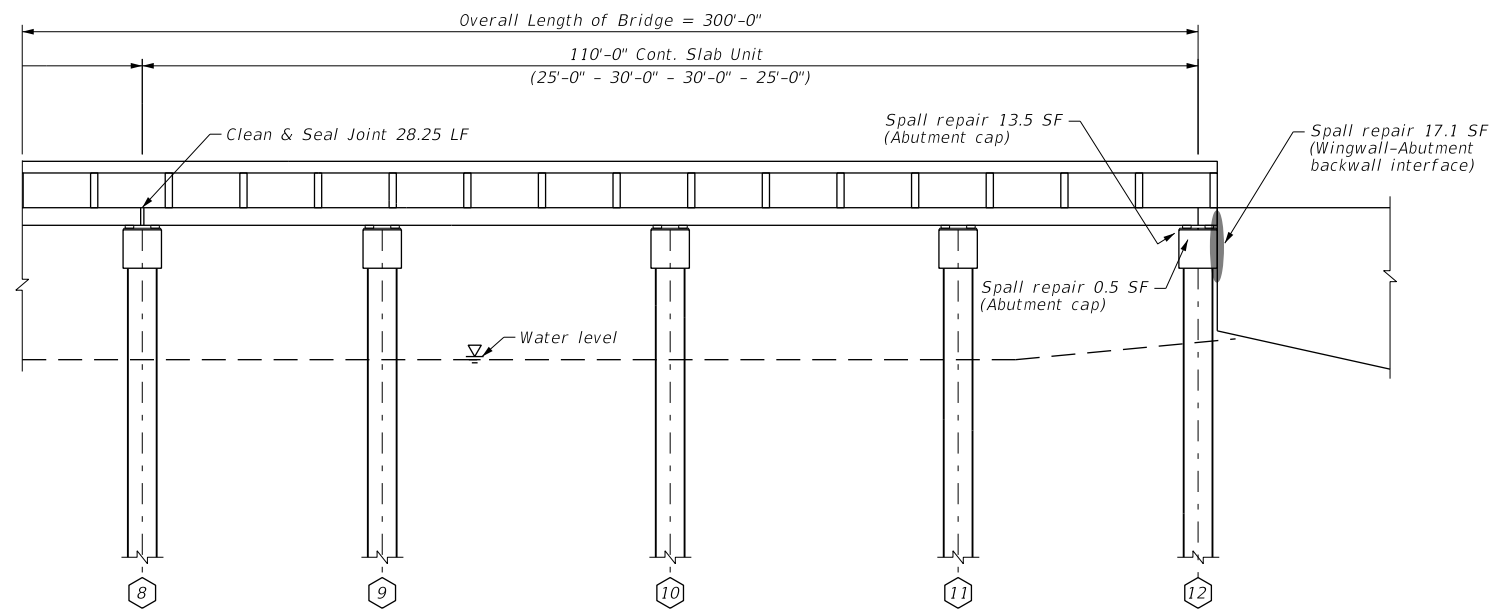
FED. RD. DIV. NO.	PROJECT NO.			HIGHWAY NO.
				US 290, ETC.
DESIGNED: DNP	STATE	STATE DIST. NO.	COUNTY	SHEET NO.
CHECKED: W0	TEXAS	AUSTIN	TRAVIS, ETC.	
DRAWN: MS	CONT.	SECT.	JOB	
CHECKED: DNP	6454	19	001	18

9:30:45 AM 5/6/2024 c:\working\jlp-pw-bentley.com\jlp-pw-01\marcos silva\ms94467\Brg_34_PR_49 over Pedernales River.dgn



PLAN

NBI: 14-087-0-0113-17-074



ELEVATION



PR 49 over
Pedernales River
Bridge Layout

SHEET 2 OF 2

FED. RD. DIV. NO.	PROJECT NO.			HIGHWAY NO.
				US 290, ETC.
DESIGNED: DNP	STATE	STATE DIST. NO.	COUNTY	SHEET NO.
CHECKED: WQ	TEXAS	AUSTIN	TRAVIS, ETC.	
DRAWN: MS	CONT.	SECT.	JOB	
CHECKED: DNP	6454	19	001	19

9:30:45 AM 5/6/2024 c:\working\jja-pw-bentley.com\jja-pw-01\marcos silva\ms94467\Brg_34_PR_49 over Pedernales River.dgn

GENERAL REQUIREMENTS:

NOTES:

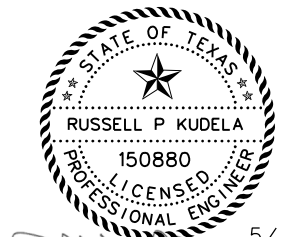
1. INSTALL ALL TRAFFIC CONTROL DEVICES AND ADVANCE WARNING SIGNS IN ACCORDANCE WITH THE TXDOT BARRICADE AND CONSTRUCTION (BC(1-12)-21) STANDARDS, TRAFFIC CONTROL PLAN (TCP(2-(1-8))) STANDARDS, AND THE LATEST EDITION OF THE TEXAS MANUAL OF UNIFORM TRAFFIC CONTROL DEVICES (MUTCD).
2. PLACE ALL TEMPORARY STORM WATER POLLUTION PREVENTION PLAN (SWP3) DEVICES AS SHOWN ON THE PLANS AND AS DIRECTED BY THE ENGINEER. MAINTAIN ALL EROSION CONTROL DEVICES AND RELOCATE AS REQUIRED THROUGHOUT CONSTRUCTION.
3. LOCATE ALL UTILITIES WITHIN THE WORKZONE.
4. APPLY TXDOT TRAFFIC CONTROL PLAN (TCP) AND WORK ZONE (WZ) STANDARDS FOR TRAFFIC CONTROL AS REQUIRED. ALL TRAFFIC OPERATIONS MUST BE APPROVED BY THE ENGINEER.
5. REFER TO GENERAL NOTES FOR MORE INFORMATION.
6. REMOVE ALL TEMPORARY EROSION CONTROL DEVICES AFTER CONSTRUCTION IS COMPLETE.
7. PERFORM FINAL CLEAN UP OF WORK AREA AND REMOVE ANY CONSTRUCTION MATERIAL AND TRAFFIC CONTROL DEVICES.
8. PERFORM ALL CONSTRUCTION DURING NIGHT TIME OPERATIONS.
9. RELOCATE CHANGEABLE MESSAGE SIGNS TO EACH LOCATION AS NEEDED. RELOCATION COST IS SUBSIDIARY TO BID ITEM 6001-6002 UNDER THIS CONTRACT.

PR 49 OVER PEDERNALES RIVER

NOTES:

1. COMPLY WITH ALL GENERAL REQUIREMENTS NOTES.
2. DELIVER AND DISTRIBUTE TRAFFIC CONTROL DEVICES.
3. SET UP TEMPORARY WORK ZONE TRAFFIC CONTROL DEVICES IN ACCORDANCE WITH STANDARDS WZ(RCD)-13 AND TCP (1-5g)-18.
4. COMPLETELY CLOSE THE PR 49 BRIDGE TO THRU TRAFFIC DURING CONSTRUCTION OPERATIONS.
5. CLOSURE ALLOWED ONLY AT NIGHT TIME ON MONDAY, TUESDAY OR WEDNESDAY FROM 30 MINUTES AFTER PARK CLOSES UNTIL 60 MINUTES BEFORE THE PARK OPENS.
6. COORDINATE WITH TEXAS PARKS & WILDLIFE DEPARTMENT (DPWD) STAFF 14 DAYS PRIOR TO PLANNED WORK DATE.
7. OPEN THE BRIDGE TO TRAFFIC AFTER CONSTRUCTION IS COMPLETE.
8. SEE DETOUR FOR MORE DETAILS.

WORKZONE TCP QUANTITIES THIS SHEET			
LOCATION	TCP-1	TCP-2	TCP-3
	502-7001	505-7001	790-7019
	BARRICADES, SIGNS AND TRAFFIC HANDLING	TMA (STATIONARY)	LANE CLOSURE (SETUP AND REMOV)(TY 19)
	MO	DAY	EA
PR 49 OVER PEDERNALES RIVER	1	4	4
PROJECT TOTALS	1	4	4

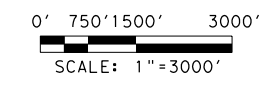
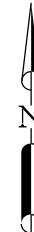


[Signature] 5/31/2024

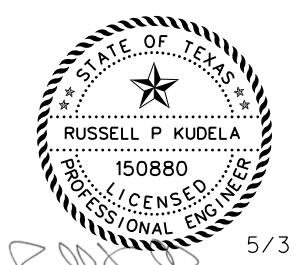


PR 49 OVER PEDERNALES RIVER
TCP NARRATIVE & QUANTITIES

FED. RD. DIV. NO.	PROJECT NO.			HIGHWAY NO.
				US 290, ETC.
DESIGNED: DW	STATE	STATE DIST. NO.	COUNTY	SHEET NO.
CHECKED: RK	TEXAS	AUSTIN	TRAVIS, ETC.	
DRAWN: DW	CONT.	SECT.	JOB	
CHECKED: RK	6454	19	001	20



- NOTES:
- SEE STANDARD DETAIL WZ(RCD)-13 FOR SIGN SIZING DETAILS AND ADDITIONAL SIGN PLACEMENTS.



5/31/2024



PR 49 OVER
PEDERNALES RIVER
DETOUR

FED. RD. DIV. NO.		PROJECT NO.		HIGHWAY NO.
				US 290, ETC
DESIGNED: DW	STATE	STATE DIST. NO.	COUNTY	SHEET NO.
CHECKED: RK	TEXAS	AUSTIN	TRAVIS, ETC.	
DRAWN: DW	CONT.	SECT.	JOB	
CHECKED: RK	6454	19	001	21

10:43:35 PM 5/31/2024 c:\work\kgdr\jip\paw\bartley.com\jip\paw\01\yusseil\kudela\mms9859\Bridg_34_ICP_Detour.dgn

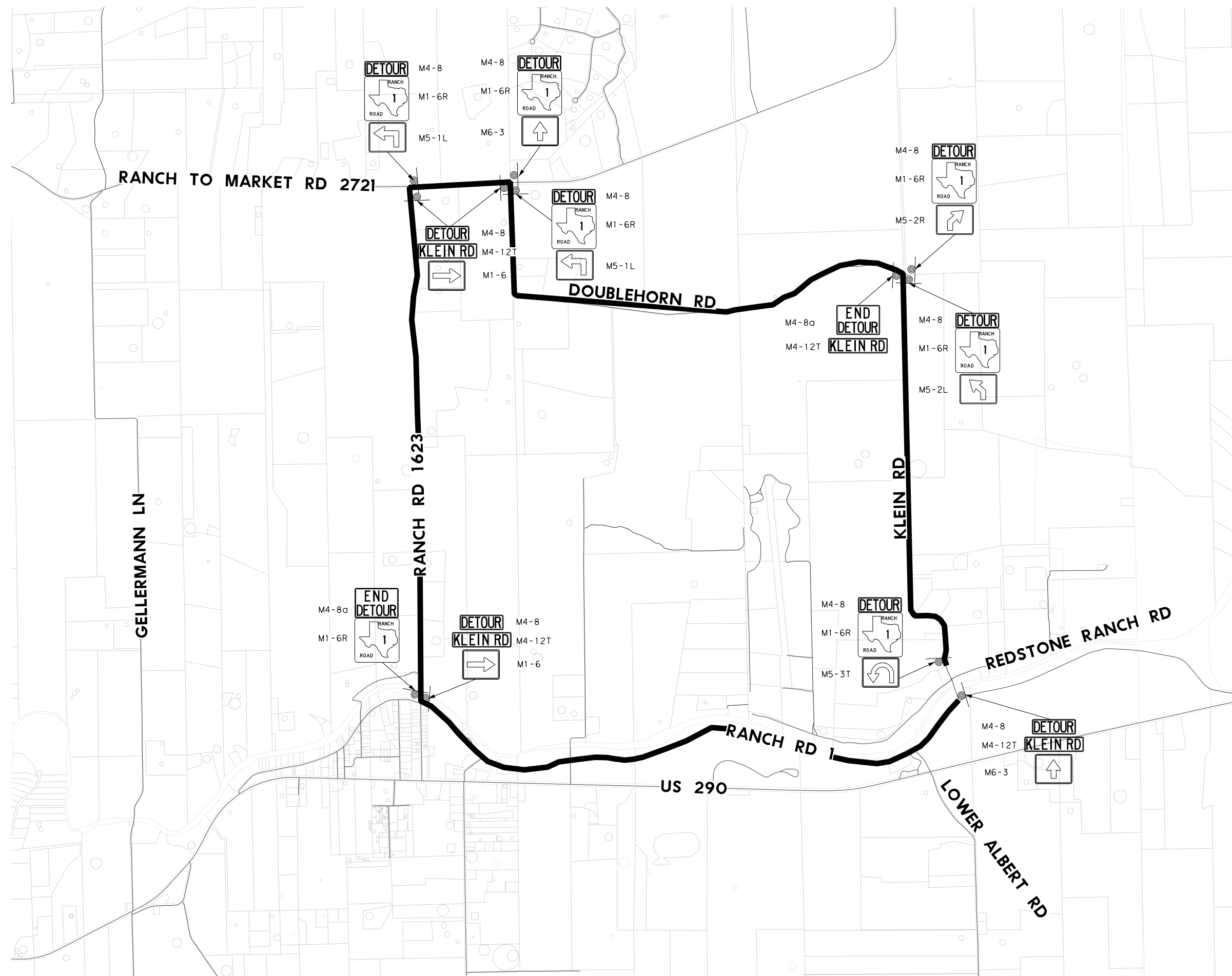
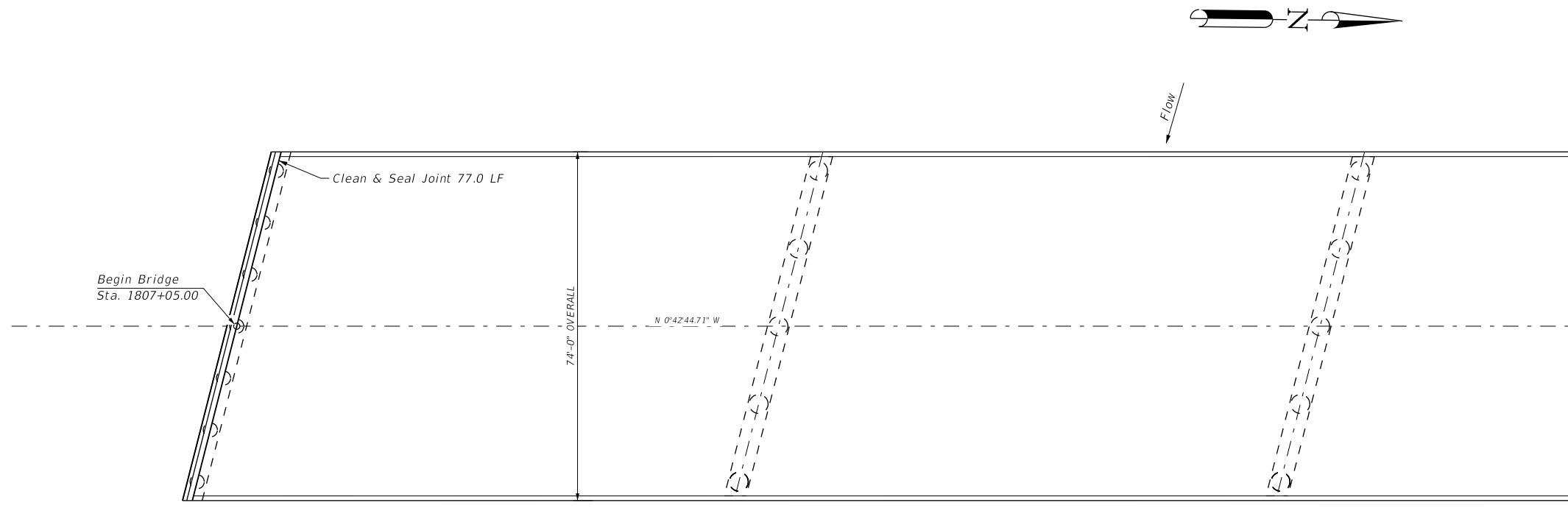


TABLE OF ESTIMATED QUANTITIES			
ITEM	DESCRIPTION	QUANTITY	UNIT
438 7004	CLEANING AND SEALING EXIST JOINTS (CL3)	231.0	LF



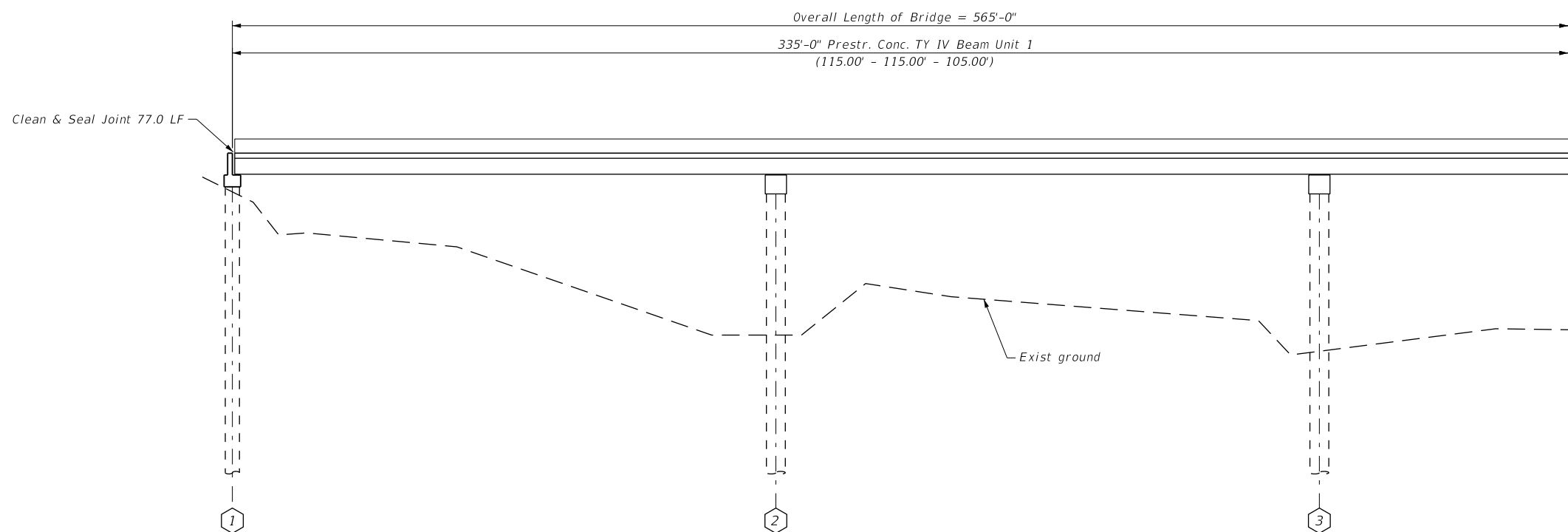
PLAN

GENERAL NOTES

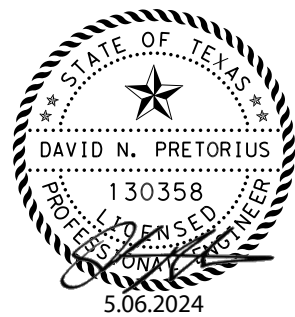
Refer to Cleaning and Sealing Existing Bridge Joints sheets, Joint W/ Hot-Poured Rubber Seal & Detail "B".

Current groundline is not visible at Bent 5. After debris is removed from near the bent, coordinate with TxDOT to determine whether scour countermeasures are needed.

NBI: 14-087-0-0072-01-193



ELEVATION

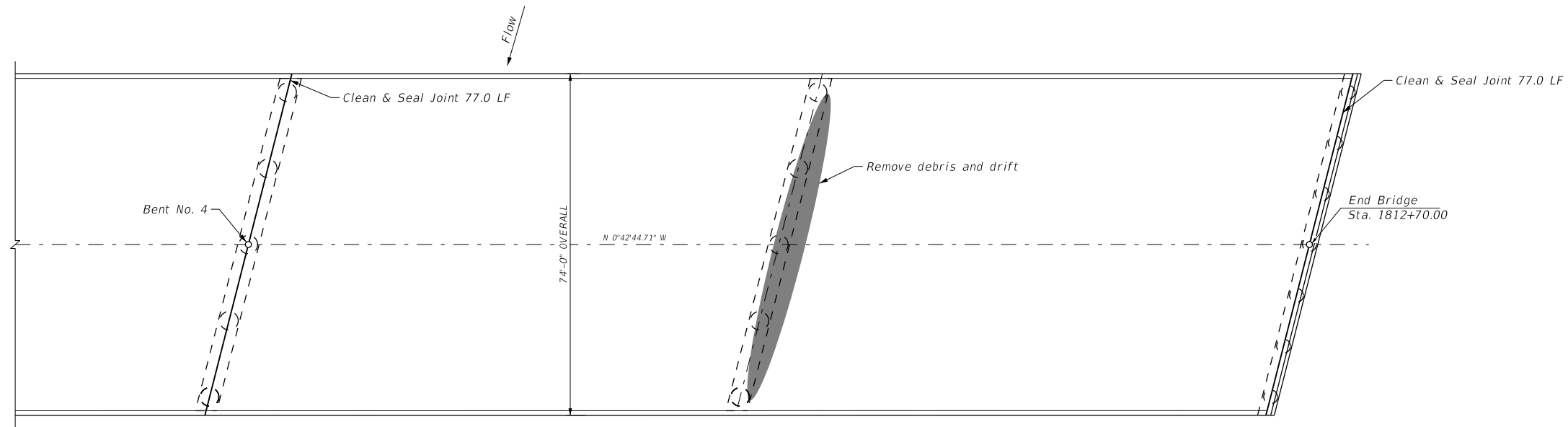
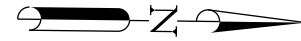


US 87 over
Pedernales River
Bridge Layout

SHEET 1 OF 2

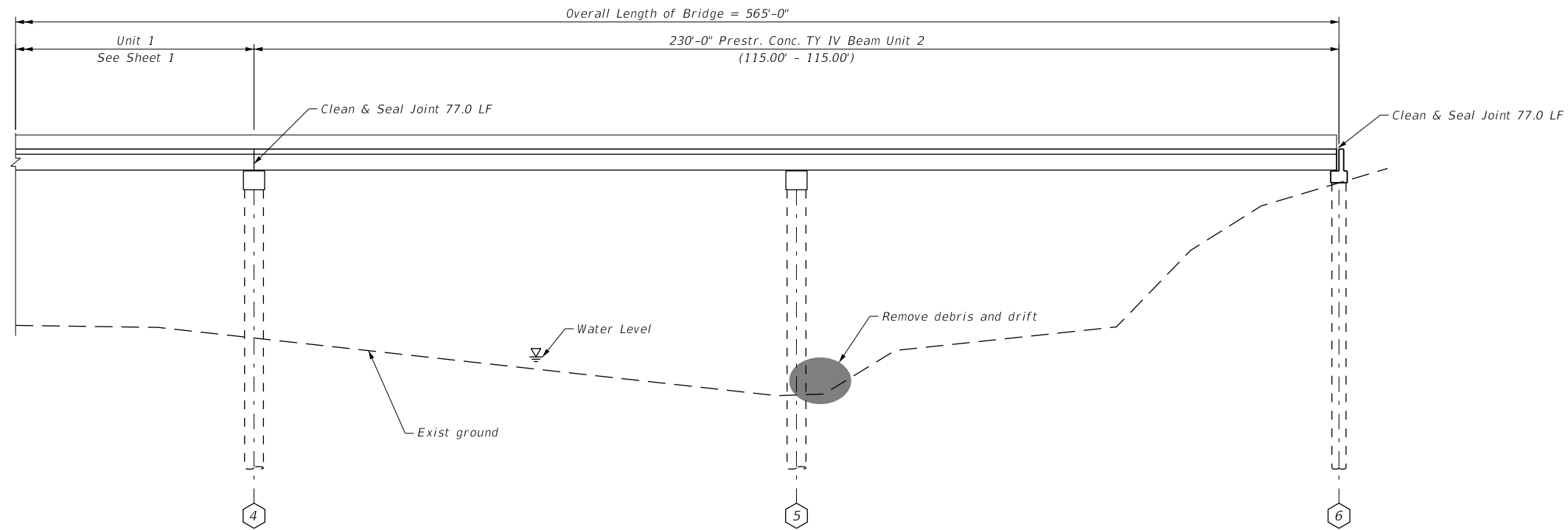
FED. RD. DIV. NO.	PROJECT NO.			HIGHWAY NO.
				US 290, ETC.
DESIGNED: DNP	STATE: WO	STATE DIST. NO.: AUSTIN	COUNTY: TRAVIS	SHEET NO.
CHECKED: WO	TEXAS	AUSTIN	TRAVIS, ETC.	
DRAWN: MS	CONT.	SECT.	JOB	
CHECKED: DNP	6454	19	001	22

9:30:51 AM 5/6/2024 c:\working\jlp-pw-bentley.com\jlp-pw-01\marcos silva\dms94485\Brg_35_US_87_over_Pedernales_River.dgn

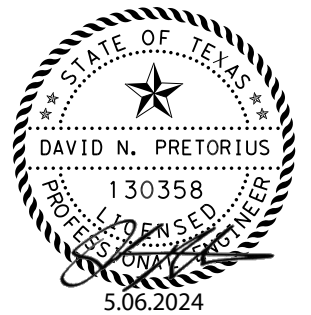


PLAN

NBI: 14-087-0-0072-01-193



ELEVATION



US 87 over
Pedernales River
Bridge Layout

SHEET 2 OF 2

DESIGNED: DNP		STATE	STATE DIST. NO.	COUNTY	HIGHWAY NO.
CHECKED: WO		TEXAS	AUSTIN	TRAVIS, ETC.	US 290, ETC.
DRAWN: MS		CONT.	SECT.	JOB	SHEET NO.
CHECKED: DNP		6454	19	001	23

GENERAL REQUIREMENTS:

NOTES:

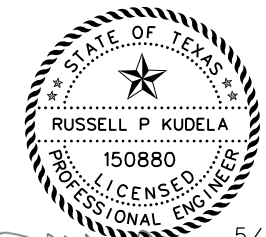
1. INSTALL ALL TRAFFIC CONTROL DEVICES AND ADVANCE WARNING SIGNS IN ACCORDANCE WITH THE TXDOT BARRICADE AND CONSTRUCTION (BC(1-12)-21) STANDARDS, TRAFFIC CONTROL PLAN (TCP(2-(1-8))) STANDARDS, AND THE LATEST EDITION OF THE TEXAS MANUAL OF UNIFORM TRAFFIC CONTROL DEVICES (MUTCD).
2. PLACE ALL TEMPORARY STORM WATER POLLUTION PREVENTION PLAN (SWP3) DEVICES AS SHOWN ON THE PLANS AND AS DIRECTED BY THE ENGINEER. MAINTAIN ALL EROSION CONTROL DEVICES AND RELOCATE AS REQUIRED THROUGHOUT CONSTRUCTION.
3. LOCATE ALL UTILITIES WITHIN THE WORKZONE.
4. APPLY TXDOT TRAFFIC CONTROL PLAN (TCP) AND WORK ZONE (WZ) STANDARDS FOR TRAFFIC CONTROL AS REQUIRED. ALL TRAFFIC OPERATIONS MUST BE APPROVED BY THE ENGINEER.
5. REFER TO GENERAL NOTES FOR MORE INFORMATION.
6. REMOVE ALL TEMPORARY EROSION CONTROL DEVICES AFTER CONSTRUCTION IS COMPLETE.
7. PERFORM FINAL CLEAN UP OF WORK AREA AND REMOVE ANY CONSTRUCTION MATERIAL AND TRAFFIC CONTROL DEVICES.
8. PERFORM ALL CONSTRUCTION DURING NIGHT TIME OPERATIONS.
9. RELOCATE CHANGEABLE MESSAGE SIGNS TO EACH LOCATION AS NEEDED. RELOCATION COST IS SUBSIDIARY TO BID ITEM 6001-6002 UNDER THIS CONTRACT.

US 87 OVER PEDERNALES RIVER

NOTES:

1. COMPLY WITH ALL GENERAL REQUIREMENTS NOTES.
2. CLOSE ONE HALF OF US 87 AT A TIME IN ACCORDANCE WITH STANDARD TCP (2-4b)-18.
3. KEEP MINIMUM ONE LANE IN EACH DIRECTION ON US 87 OPEN AT ALL TIMES.
4. LANE CLOSURES ARE PROHIBITED ON WEEKENDS.
5. SHOULDERS MAY BE UTILIZED ON US 87 TO DIVERT TRAFFIC FROM WORKZONE.
6. USE ITEM TCP-2 TO DELINEATE LANES IN CONJUNCTION WITH CHANNELIZING DEVICES.

WORKZONE TCP QUANTITIES THIS SHEET			
LOCATION	TCP-1	TCP-2	TCP-3
	502-7001	505-7001	790-7006
	BARRICADES, SIGNS AND TRAFFIC HANDLING	TMA (STATIONARY)	LANE CLOSURE (SETUP AND REMOV)(TY 6)
	MO	DAY	EA
US 87 OVER PEDERNALES RIVER	1	6	2
PROJECT TOTALS	1	6	2

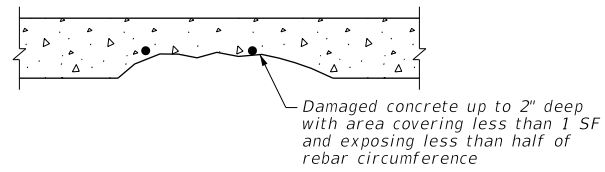


R. Kudela 5/31/2024

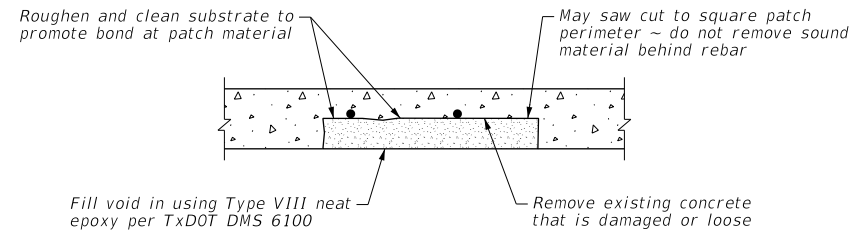


US 87 OVER
PERDERNALES RIVER
TCP NARRATIVE & QUANTITIES

FED. RD. DIV. NO.	PROJECT NO.			HIGHWAY NO.
				US 290, ETC.
DESIGNED: DW	STATE	STATE DIST. NO.	COUNTY	SHEET NO.
CHECKED: RK	TEXAS	AUSTIN	TRAVIS, ETC.	
DRAWN: DW	CONT.	SECT.	JOB	
CHECKED: RK	6454	19	001	24

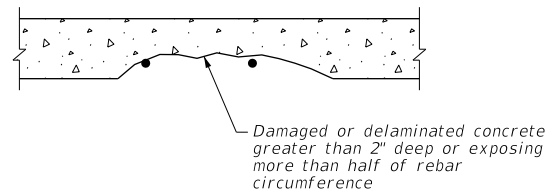


STEP 1 - DAMAGE CONDITION

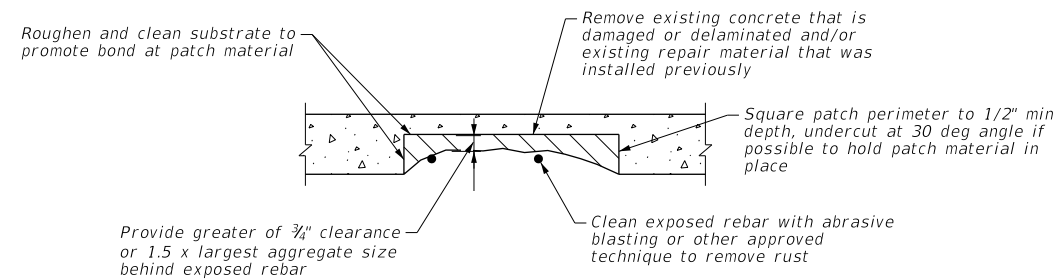


STEP 2 - EXCAVATION, PREPARATION AND PATCH

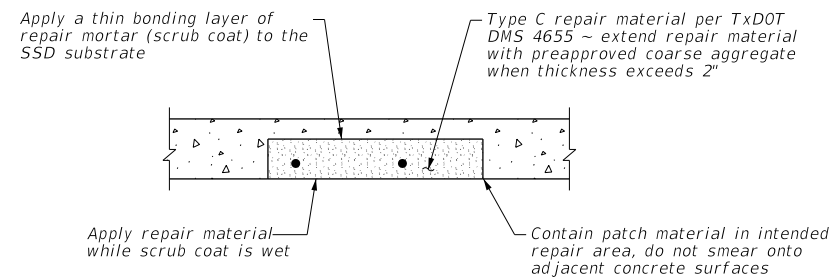
MINOR SPALL REPAIR DETAIL
(TxDOT Concrete Repair Manual Section 3.1)



STEP 1 - DAMAGED CONDITION



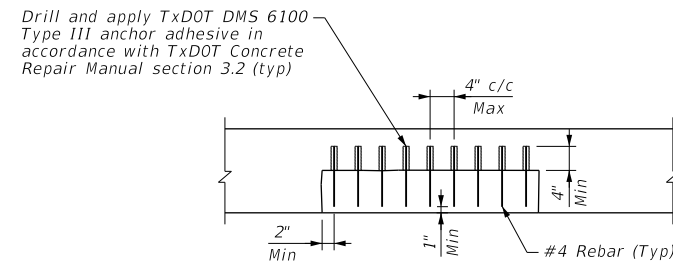
STEP 2 - EXCAVATION AND PREPARATION



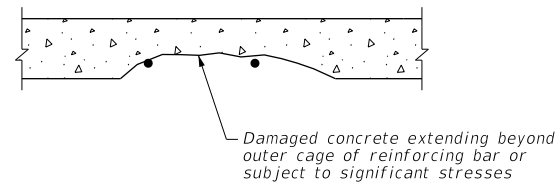
STEP 3 - PATCH DAMAGED AREA

MINOR SPALL REPAIR DETAIL
(TxDOT Concrete Repair Manual Section 3.2)

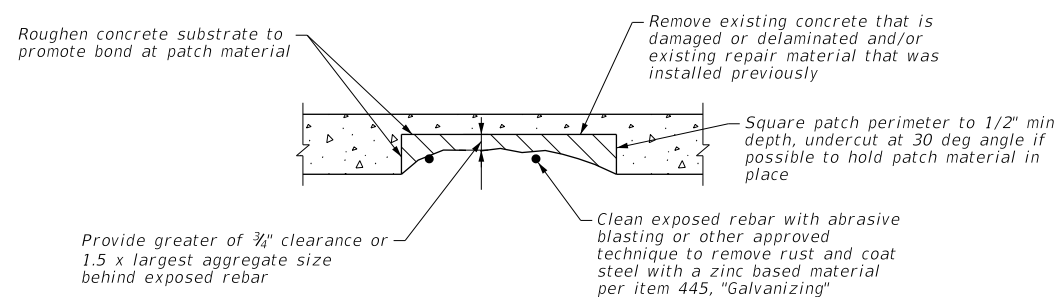
If batched concrete is selected as the repair material, follow the provisions of TxDOT Concrete Repair Manual Section 3.3



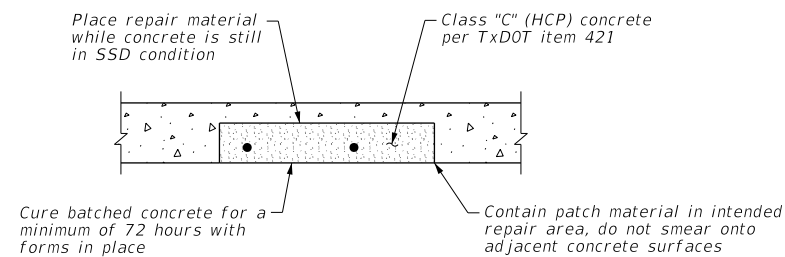
MECHANICAL TIE DETAIL



STEP 1 - DAMAGED CONDITION



STEP 2 - EXCAVATION AND PREPARATION



STEP 3 - PATCH DAMAGED AREA

MAJOR SPALL REPAIR DETAIL
(TxDOT Concrete Repair Manual Section 3.3)

Remove aggregate larger than 3/4" from Class "C" (HPC) concrete mix design when repair thickness will be less than 3" over a significant portion of the damaged area

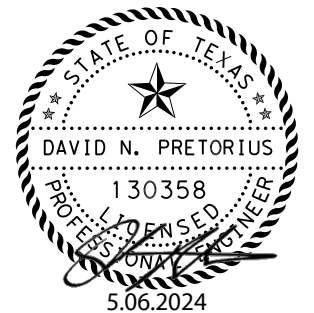
REPAIR NOTES

Perform repair in accordance with TxDOT item 429, "Concrete structure repair", and the TxDOT Concrete Repair Manual, 2021. In addition to details shown on this sheet, the manual includes criteria for application, surface preparation, forms, and curing.

Contractor to submit all materials and methods of application for approval.

Contractor to provide compressive strength testing of Type C repair material and Class "C" (HPC) concrete.

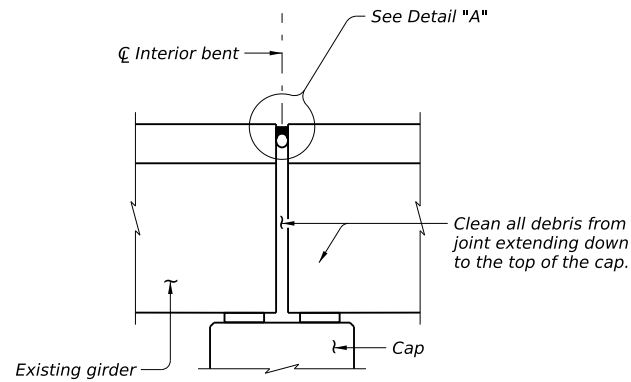
Apply mechanical tie detail in the event existing rebar is corroded to the point of not sufficiently anchoring intermediate and major spall repair material to the substrate.



Spall Repair Details

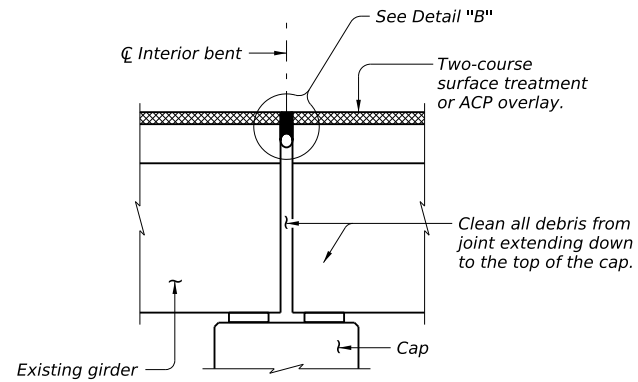
DESIGNED: DNP		STATE	STATE DIST. NO.	COUNTY	SHEET NO.
CHECKED: WD		TEXAS	AUSTIN	TRAVIS, ETC	25
DRAWN: MS		CONT.	SECT.	JOB	
CHECKED: DNP		6454	19	001	

DISCLAIMER: The use of this standard is governed by the "Texas Engineering Practice Act". No warranty of any kind is made by TxDOT for any purpose whatsoever. TxDOT assumes no responsibility for the conversion of this standard to other formats or for incorrect results or damages resulting from its use.



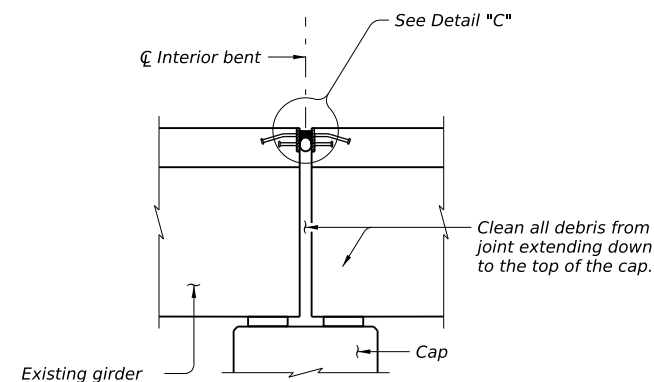
JOINT WITH SILICONE SEAL

(Used without ACP overlay)



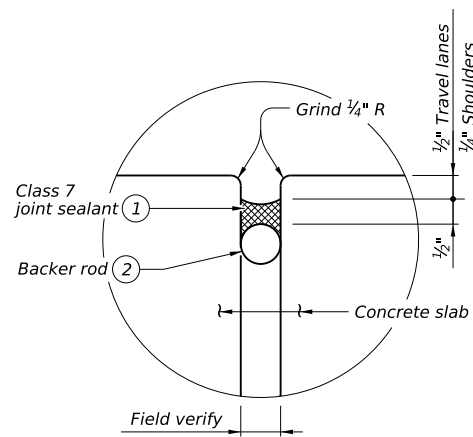
JOINT W/ HOT-POURED RUBBER SEAL

(Used with ACP overlay)

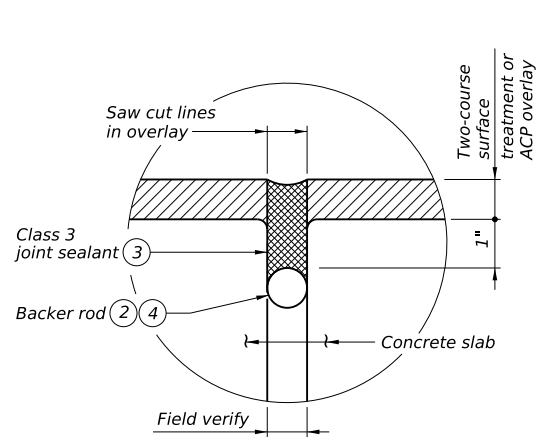


ARMOR JOINT

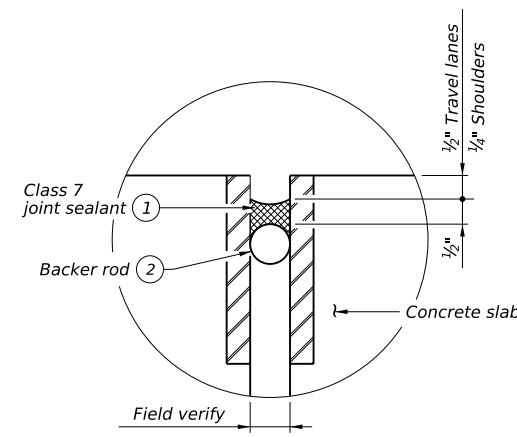
(Used without ACP overlay)



DETAIL "A"



DETAIL "B"



DETAIL "C"

(Stud anchors not shown for clarity.)

- ① Use Class 7 joint sealant in accordance with DMS-6310, "Joint Sealants and Fillers." Prepare joint and seal in accordance with Item 438 "Cleaning and Sealing Joints."
- ② Provide backer rod 25% larger than joint opening and compatible with the sealant. Use of multiple pieces to create a backer rod cross section is not permitted. Top of backer rod must be convex as shown.
- ③ Use Class 3 joint sealant in accordance with DMS-6310, "Joint Sealants and Fillers". Prepare joint and seal in accordance with Item 438 "Cleaning and Sealing Joints."
- ④ Backer rod must be compatible with the hot poured rubber sealant and rated for a minimum of 400°F.

GENERAL NOTES:

Cleaning existing joint opening (full depth) of all debris, providing and placing backer rod, saw-cutting asphalt overlay, and sealing joint is paid for by Item 438, "Cleaning and Sealing Joints" and measured by the linear foot. Obtain approval for all tools, equipment, materials and techniques proposed to clean and seal the joint. Provide Class 3 joint sealant in accordance with DMS-6310, "Joint Sealants and Fillers" for joints in asphalt overlay. Provide Class 7 joint sealant in accordance with DMS-6310, "Joint Sealants and Fillers" for joints in concrete. Extend sealant up into rail or curb 3 inches on low side or sides of deck. If the Class 7 joint sealant cannot be effectively placed in the vertical position, a Class 4 joint sealant compatible with the Class 7 joint sealant is allowed for the extension of the seal into the curb or rail. Prepare surfaces where sealant is to be placed in accordance with Manufacturer's specifications.

SHEET 1 OF 3

PROCEDURE FOR CLEANING AND SEALING EXISTING JOINT WITH SILICONE SEAL:

- 1) Clean joint opening of all existing expansion materials/devices, dirt, and all other deleterious materials in accordance with Item 438, "Cleaning and Sealing Joints." Clean joint out full depth of the joint.
- 2) Obtain approval of cleaned joint prior to proceeding with joint sealing operation.
- 3) Place backer rod into joint opening 1" below the top of concrete. When sealing joints for slab spans, slab beam spans, or box beam spans, fill void below backer rod with extruded polystyrene foam before placing backer rod.
- 4) Seal the joint opening with a Class 7 joint sealant. Recess seal 1/2" below top of concrete in travel lanes and 1/4" below top of concrete in shoulders.

PROCEDURE FOR CLEANING AND SEALING EXISTING JOINT WITH HOT-POURED RUBBER SEAL:

- 1) Saw cut through the asphalt at the centerline of joint. Make multiple saw cuts to create a 1/2" minimum joint opening or match the existing joint opening. Clean joint opening of all old expansion materials/devices, bituminous materials, dirt, grease and all other deleterious materials in accordance with Item 438, "Cleaning and Sealing Joints." Clean joint out full depth of the joint.
- 2) Obtain approval of cleaned joint prior to proceeding with joint sealing operation.
- 3) Place backer rod into joint opening 1" below the top of concrete. When sealing joints for slab spans, slab beam spans, or box beam spans, fill void below backer rod with extruded polystyrene foam before placing backer rod.
- 4) Seal the joint opening with a Class 3 joint sealant. Seal flush to the top of the asphaltic concrete pavement.

PROCEDURE FOR CLEANING AND SEALING EXISTING ARMOR JOINTS:

- 1) Remove existing seal, if present. Clean joint opening of all dirt and other deleterious materials in accordance with Item 438, "Cleaning and Sealing Joints." Clean joint out full depth of the joint.
- 2) Abrasive blast clean existing steel surface where silicone seal is to be placed.
- 3) Obtain approval of cleaned joint prior to proceeding with joint sealing operation.
- 4) Place backer rod into joint opening 1" below the top of concrete. When sealing joints for slab spans, slab beam spans, or box beam spans, fill void below backer rod with extruded polystyrene foam before placing backer rod.
- 5) Seal the joint opening with a Class 7 joint sealant. Recess seal 1/2" below top of concrete in travel lanes and 1/4" below top of concrete in shoulders.

5.06.2024

Bridge Division

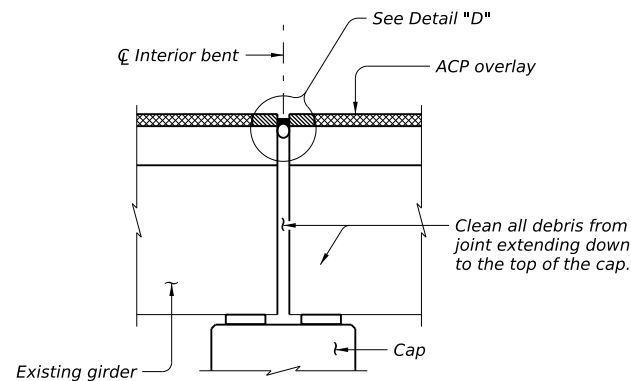
CLEANING AND SEALING EXISTING BRIDGE JOINTS

FILE: WD-CSBJ-24.dgn	DN: TxDOT	CK: TxDOT	DW: TxDOT	CK: TxDOT
©TxDOT February 2024	CONT	SECT	JOB	HIGHWAY
REVISIONS	6454	19	001	US 290, ETC.
	DIST	COUNTY	SHEET NO.	
	AUS	TRAVIS, ETC.	26	

LJA Engineering, Inc.

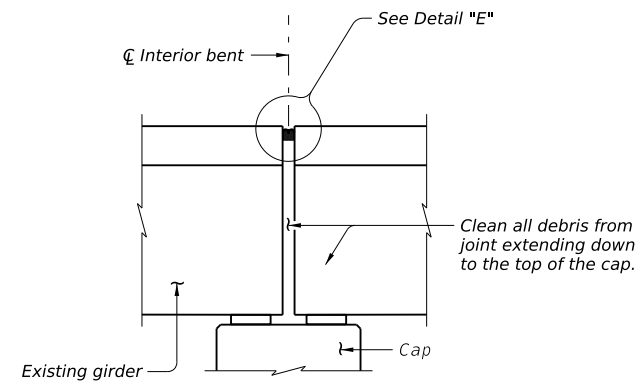
FRN - F-1386

DISCLAIMER: The use of this standard is governed by the "Texas Engineering Practice Act". No warranty of any kind is made by TxDOT for any purpose whatsoever. TxDOT assumes no responsibility for the conversion of this standard to other formats or for incorrect results or damages resulting from its use.



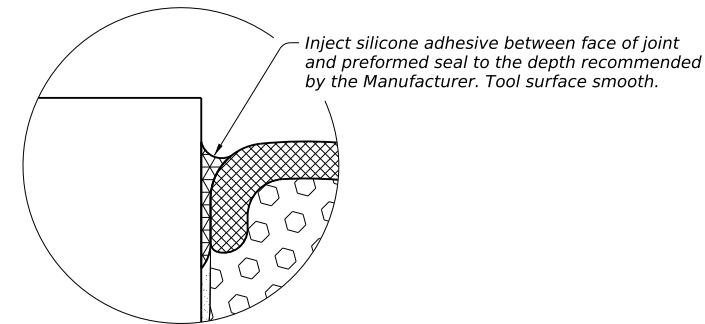
HEADER JOINT WITH SILICONE SEAL

(Used with ACP overlay)

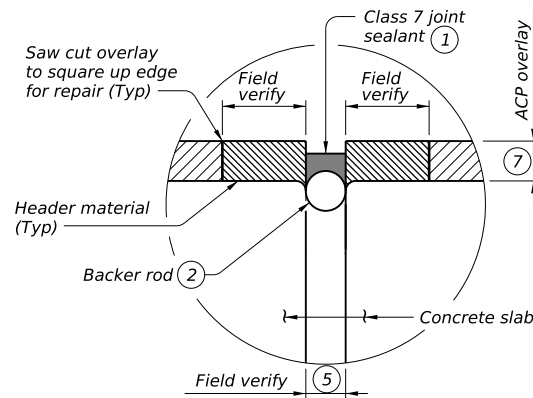


JOINT WITH PRECOMPRESSED FOAM AND SILICONE SEAL

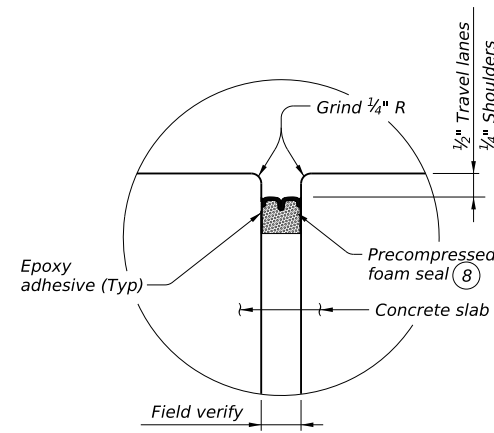
(Used without ACP overlay)



SILICONE INJECTION



DETAIL "D"



DETAIL "E"

PROCEDURE FOR CLEANING AND SEALING HEADER JOINT WITH SILICONE SEAL AND HEADER JOINT REPAIR (6)

- 1) Clean joint opening of all old expansion materials/devices, dirt, and all other deleterious materials in accordance with Item 438, "Cleaning and Sealing Joints."
- 2) Saw cut and remove damaged portions of existing header material to neat lines. Repair deck joint spalls greater than 2" deep in accordance with Item 785, "Bridge Joint Repair or Replacement." Shallower spalls may be filled with header material.
- 3) Clean the voided region of all materials that could inhibit the bond between header material and concrete or steel.
- 4) Form the joint opening to the required width and place header material to fill voided region. Repair header material in accordance with Item 785, "Bridge Joint Repair or Replacement."
- 5) Place backer rod into joint opening 1" below the top of header material. When sealing joints for slab spans, slab beam spans, or box beam spans, fill void below backer rod with extruded polystyrene foam before placing backer rod.
- 6) Seal the joint opening with a Class 7 joint sealant. Recess seal 1/2" below top of header in travel lanes and 1/4" below top of header in shoulders.

PROCEDURE FOR CLEANING AND SEALING JOINT WITH PRECOMPRESSED FOAM AND SILICONE SEAL

- 1) Clean joint opening of all old expansion materials/devices, dirt, and all other deleterious materials in accordance with Item 438, "Cleaning and Sealing Joints." When sealing joints for slab spans, slab beam spans, pan girder spans, or box beam spans, fill void below proposed seal with extruded polystyrene foam.
- 2) Correctly size joint seal based on field measurement and in accordance with Manufacturer's specifications. Multiple seal widths may be required. Ensure proper seal is selected for each joint.
- 3) Abrasive blast clean existing joint surfaces where seal is to be applied.
- 4) Wipe down joint surfaces to remove contaminants.
- 5) Mask areas adjacent to joint opening sufficiently to keep epoxy off deck surface.
- 6) Apply epoxy to joint opening side surfaces.
- 7) While epoxy is still tacky, remove shrink wrap from seal and install in joint opening.
- 8) Recess top of joint seal 1/2" in travel lanes and 1/4" in shoulders.
- 9) Inject silicone adhesive along top interface of seal with joint side surface according to Manufacturer's recommendations. Tool to spread adhesive as necessary. See Silicone Injection detail.

- 1) Use Class 7 joint sealant in accordance with DMS-6310, "Joint Sealants and Fillers." Prepare joint and seal in accordance with Item 438 "Cleaning and Sealing Joints."
- 2) Provide backer rod 25% larger than joint opening and compatible with the sealant. Use of multiple pieces to create a backer rod cross section is not permitted. Top of backer rod must be convex as shown.
- 5) Match existing joint opening or set at a minimum:
 - a. 1" at 70°F when the distance between joints is 150 ft or less
 - b. 2" at 70°F when the distance between joints is greater than 150 ft.
 - c. As directed by the Engineer.
- 6) Cleaning and sealing existing header joints does not necessitate replacement of existing header material. If replacement of header material is necessary, as determined by the Engineer, use header material in accordance with DMS-6140, "Polymer Concrete for Bridge Joint Systems." Match the thickness of the header material with the thickness of the overlay as shown in the plans, but do not exceed 3". Place header material flush with roadway surface. Do not cantilever header material over the joint opening. Repair of header material will be paid for in accordance with Item 785-6006, "Bridge Joint Repair (Header)."
- 7) Maximum thickness is 3".
- 8) See table of Approved Precompressed Foam Seal Manufacturers on Sheet 3 of 3.

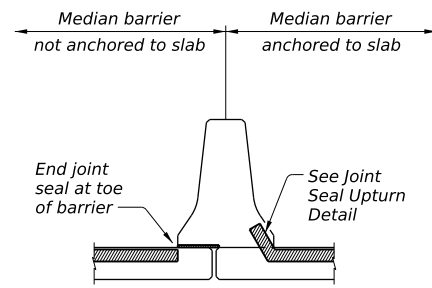
SHEET 2 OF 3

				Bridge Division	
		<h2>CLEANING AND SEALING EXISTING BRIDGE JOINTS</h2>			
FILE: WD-CSBJ-24.dgn © TxDOT February 2024 REVISIONS	DN: TxDOT 6454 DIST: AUS	CK: TxDOT SECT: 19 COUNTY: TRAVIS, ETC.	DW: TxDOT JOB: 001 COUNTY: TRAVIS, ETC.	CK: TxDOT HIGHWAY: US 290, ETC. SHEET NO.: 27	LJA Engineering, Inc. FRN - F-1386

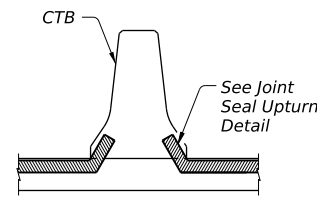
DISCLAIMER: The use of this standard is governed by the "Texas Engineering Practice Act". No warranty of any kind is made by TxDOT for any purpose whatsoever. TxDOT assumes no responsibility for the conversion of this standard to other formats or for incorrect results or damages resulting from its use.

APPROVED PRECOMPRESSED FOAM SEAL MANUFACTURERS

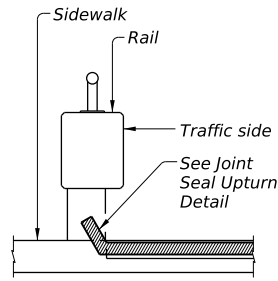
MANUFACTURER	SEAL TYPE
Watson Bowman Acme	Wabo FS
SSI	Silspec SES
Sealtite	Sealtite 50N
EMSEAL	BEJS
TuffTex	Repjoint PF-UV



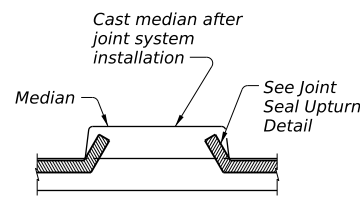
OPEN DECK JOINT BELOW MEDIAN BARRIER



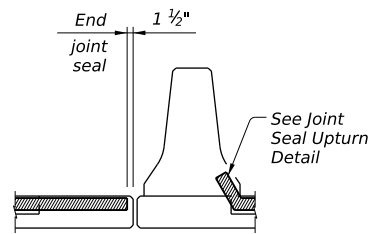
CONCRETE TRAFFIC BARRIER



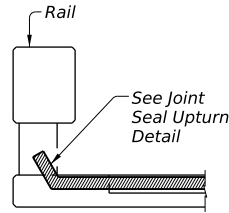
SIDEWALK BEHIND BRIDGE RAIL



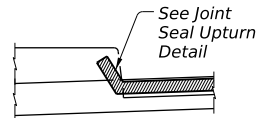
RAISED MEDIAN



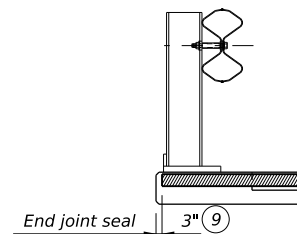
OPEN DECK JOINT ADJACENT TO MEDIAN BARRIER



CONCRETE BRIDGE RAIL



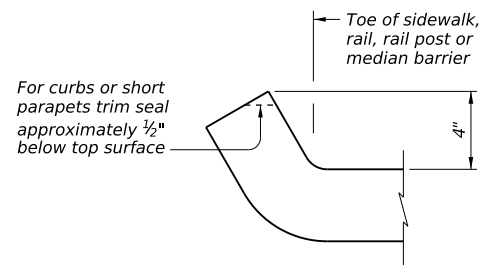
SIDEWALK



STEEL POST BRIDGE RAIL

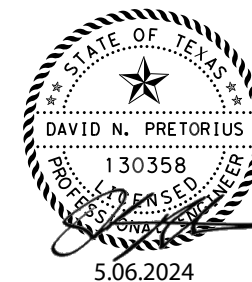
JOINT SEALANT TERMINATION DETAILS

⑨ 1 1/2" for precompressed foam and silicone seal



JOINT SEAL UPTURN DETAIL

CLEANING AND SEALING EXISTING BRIDGE JOINTS



LJA Engineering, Inc. LJA
FRN - F-1386

FILE: WD-CSBJ-24.dgn	DN: TxDOT	CK: TxDOT	DW: TxDOT	CK: TxDOT
©TxDOT February 2024	CONT	SECT	JOB	HIGHWAY
REVISIONS	6454	19	001	US 290, ETC.
	DIST	COUNTY	SHEET NO.	
	AUS	TRAVIS, ETC.	28	

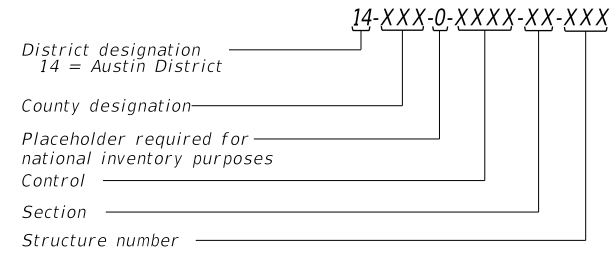
1" Typ

14-XXX-0-XXXX-XX-XXX 4" minimum

①

① Painted white background, as needed. See GENERAL NOTES.

PAINTED STRUCTURE NUMBER LEGEND



- 011 = Bastrop
- 016 = Blanco
- 027 = Burnet
- 028 = Caldwell
- 087 = Gillespie
- 106 = Hays
- 144 = Lee
- 150 = Llano
- 157 = Mason
- 227 = Travis
- 246 = Williamson

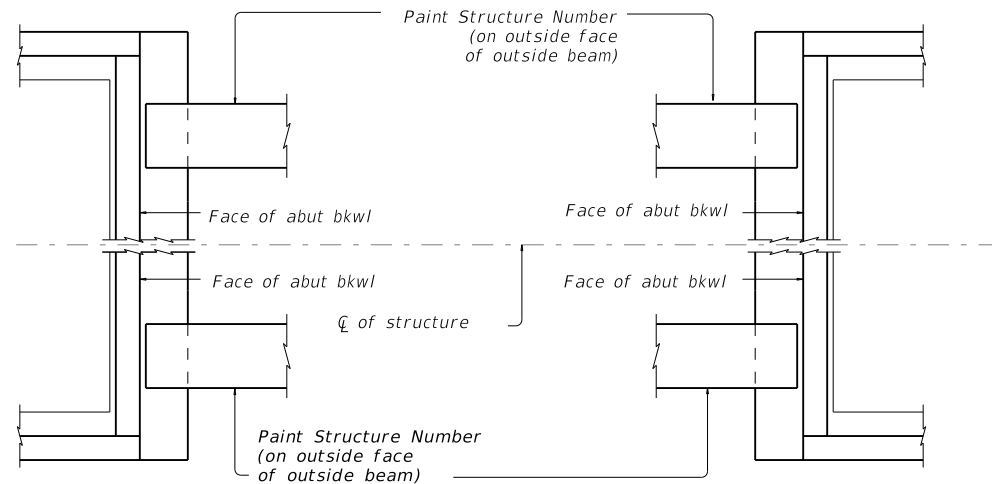
GENERAL NOTES:

Permanently mark each structure with the painted structure number in accordance with the plans and as directed by the Engineer. Repaint faded/illegible/incorrect numbers as approved by the Engineer.
 Paint a rectangular white background to cover the existing painted structure number. Once dry, paint the new structure number in black paint.
 Each Structure shall have 4 (four) Structure numbers painted per structure.
 Painting structure number work will not be measured or paid for directly but will be considered subsidiary to other pertinent items.

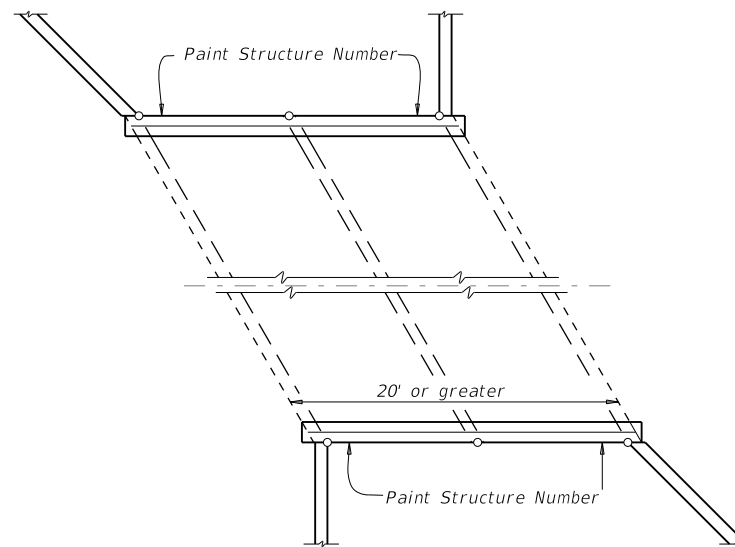
MATERIAL:

Provide black/white lead free, CFC free, and CFHC free paint that is water proof, weather resistant, and dries instantly on all surfaces without smearing, smudging, or rippling

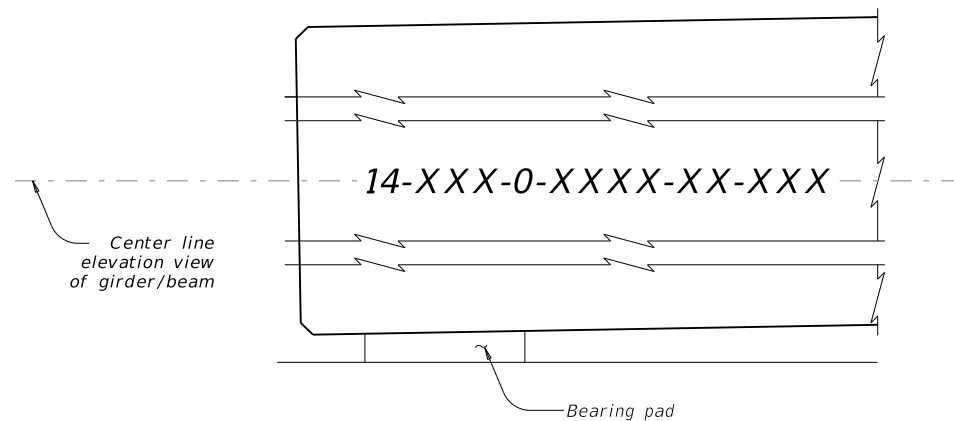
Background - White
 Letters/Symbols - Black



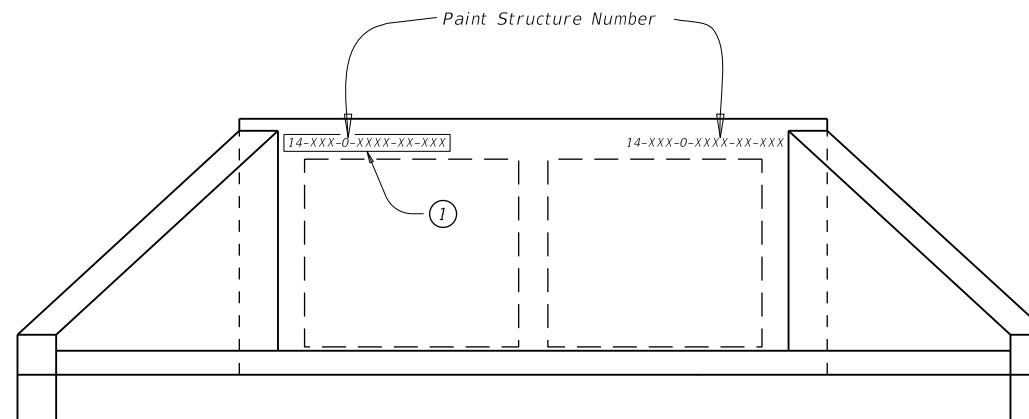
AT BRIDGE LOCATIONS



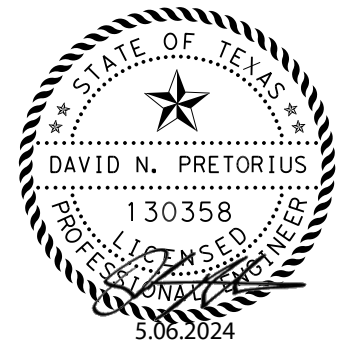
AT CULVERT LOCATIONS



ELEVATION VIEW DETAIL



ELEVATION VIEW DETAIL



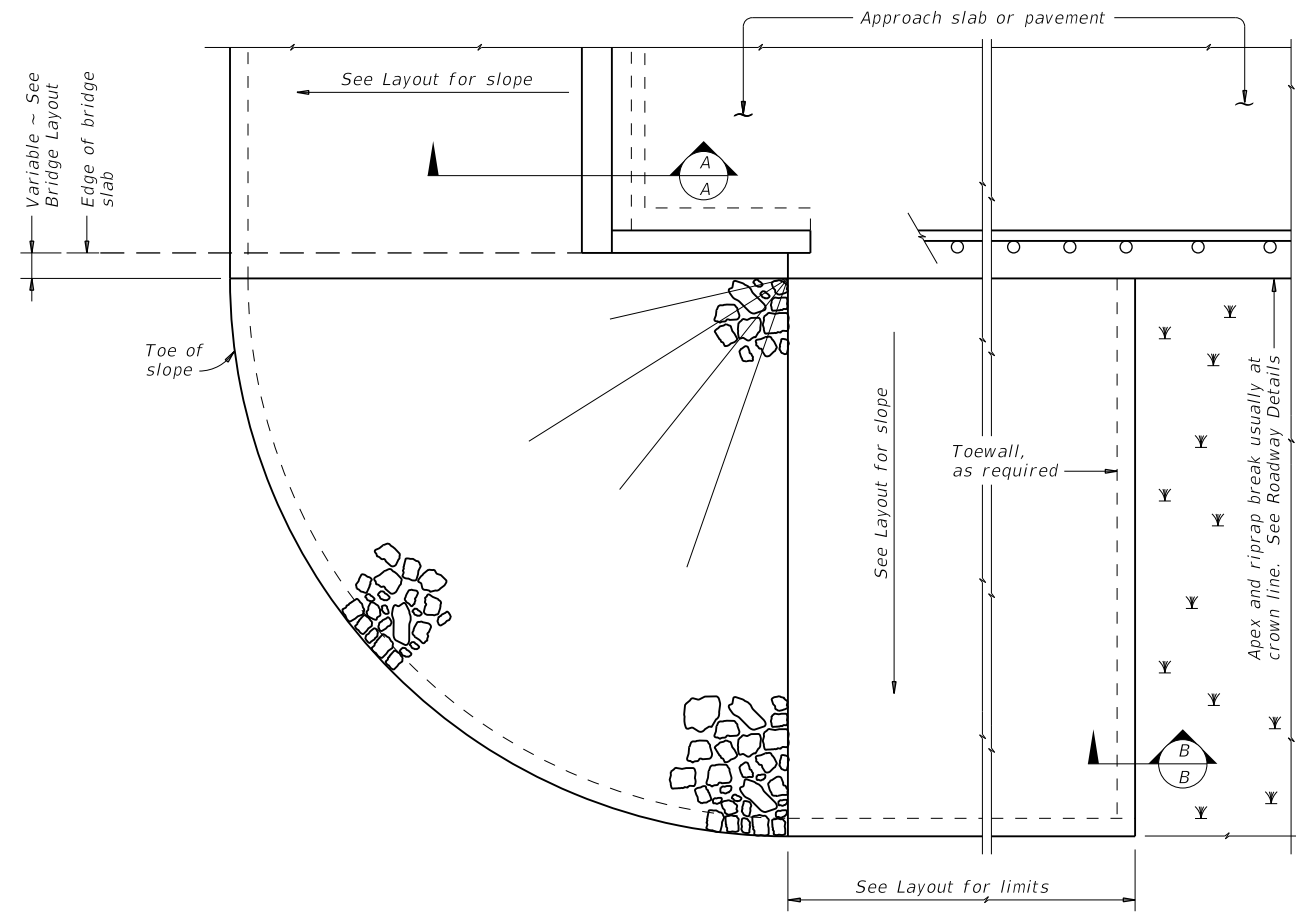
LJA Engineering, Inc. LJA
 FRN - F-1386

Texas Department of Transportation Austin District Standard

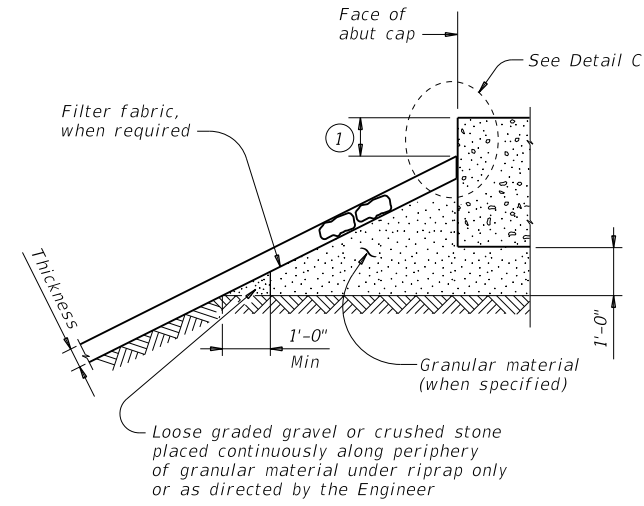
PAINTING STRUCTURE NUMBERS
 PSN-19 (AUS)(MOD)

CONT	SECT	JOB	HIGHWAY
6454	19	001	US 290, ETC.
DIST	COUNTY		SHEET NO.
AUS	TRAVIS, ETC.		29

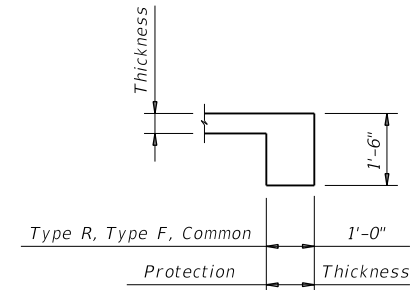
DISCLAIMER: This standard is governed by the "Texas Engineering Practice Act". No warranty of any kind is made by TxDOT for any purpose whatsoever. TxDOT assumes no responsibility for the conversion of this standard to other formats or for incorrect results or damages resulting from its use.



PLAN

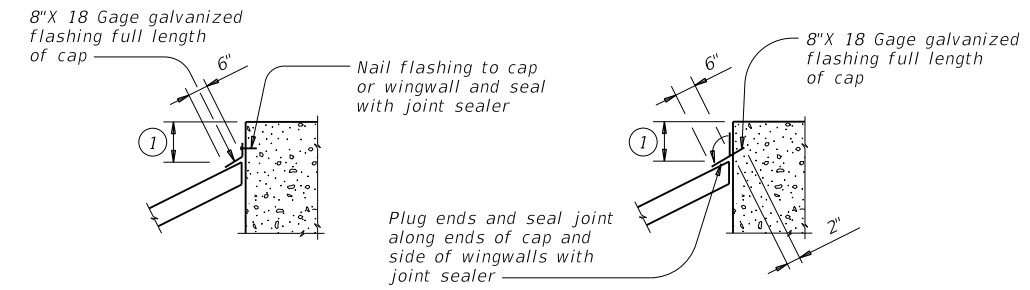


SECTION A-A AT CAP



SECTION B-B

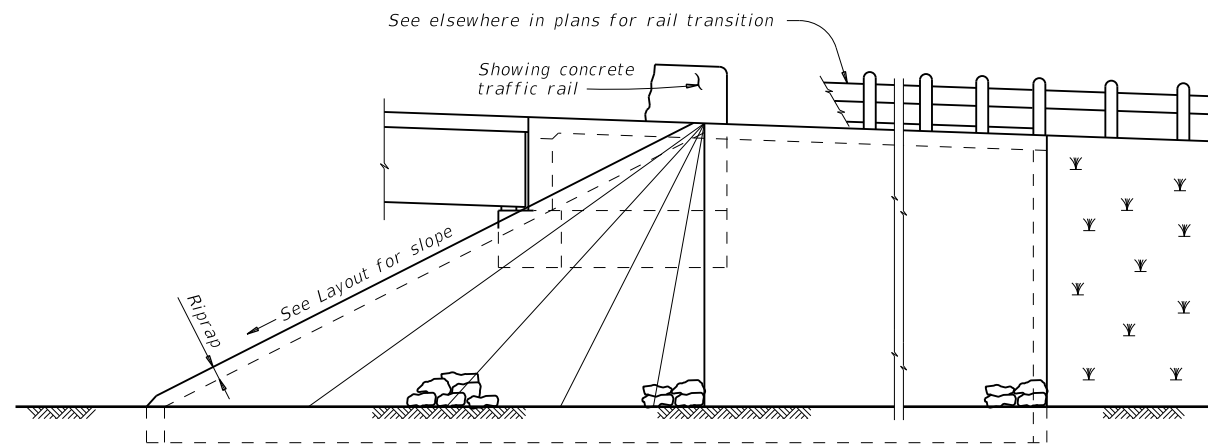
Provide toewall when shoulder drain is located adjacent to limits of stone riprap. Omit toewall when thickness of protection riprap is greater than 18".



CAP OPTION A

CAP OPTION B

DETAIL C



ELEVATION

① Top of cap to top of riprap dimension varies as directed by the Engineer. Provide 9" Min for beam/slab type bridges and 1'-6" for slab span, box beam, or slab beam bridges.

GENERAL NOTES:

Refer to Item 432, "Riprap" for stone size and gradation, and construction details. See Layout for limits and thickness of riprap specified.
See elsewhere in plans for locations and details of shoulder drains.

SHEET 1 OF 2



STONE RIPRAP

SRR

FILE: MS-SRR-19.dgn	DN: AES	CK: JGD	DW: BWH	CK: AES
©TxDOT April 2019	CONT	SECT	JOB	HIGHWAY
REVISIONS	6454	19	001	US 290, ETC.
DIST	COUNTY		SHEET NO.	
AUS	TRAVIS, ETC.		30	

DISCLAIMER: This standard is governed by the "Texas Engineering Practice Act". No warranty of any kind is made by TxDOT for any purpose whatsoever. TxDOT assumes no responsibility for the conversion of this standard to other formats or for incorrect results or damages resulting from its use.

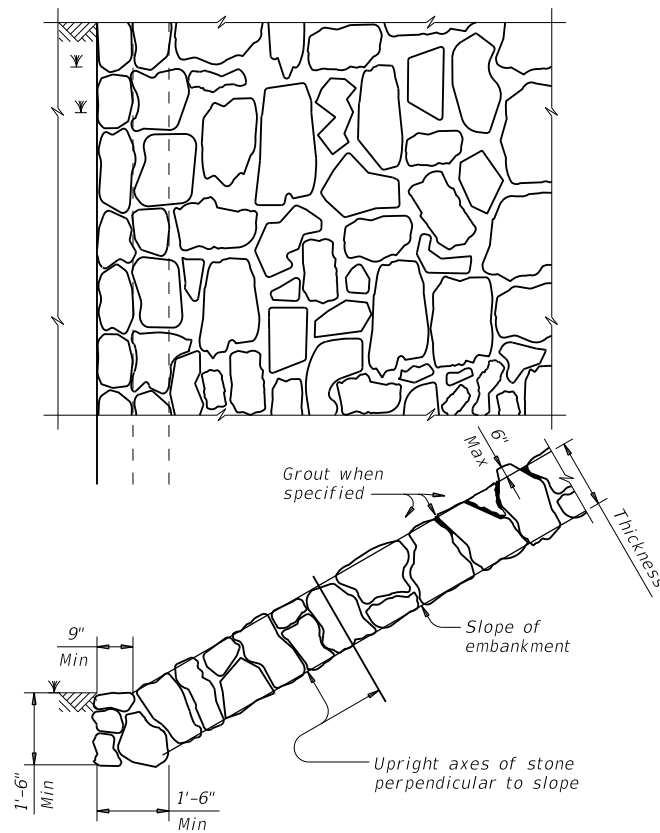


FIGURE 1 ~ TYPE R STONE RIPRAP
dry or grouted

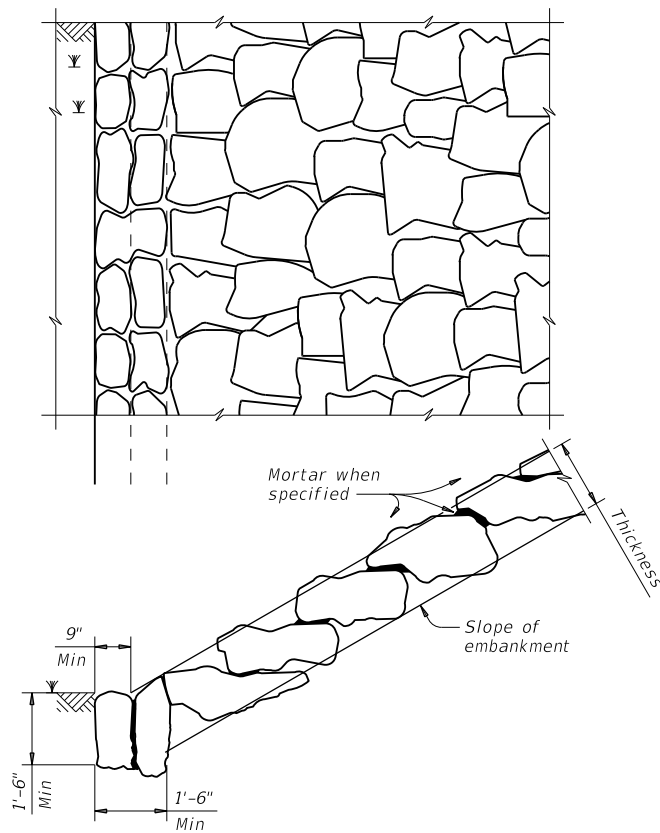


FIGURE 2 ~ TYPE F STONE RIPRAP
dry or mortared

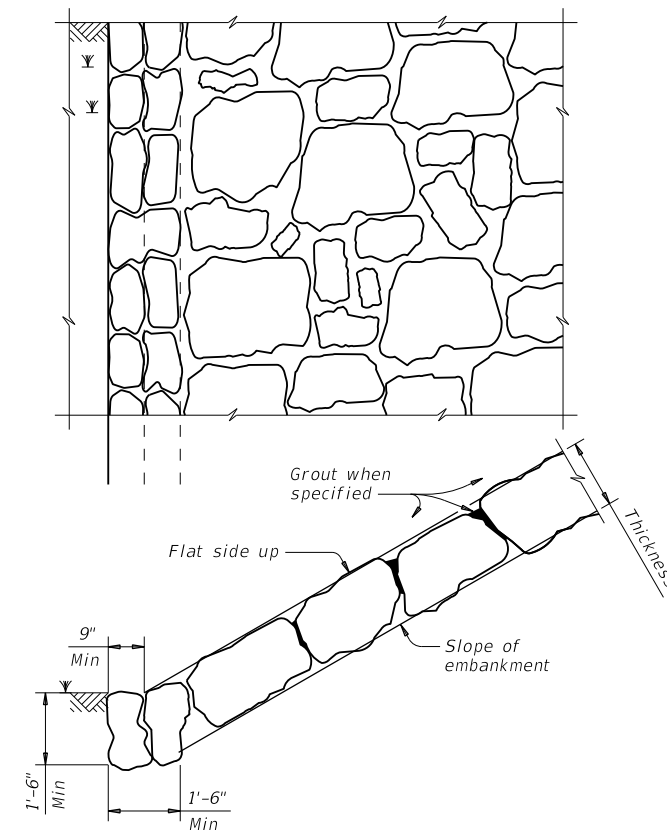
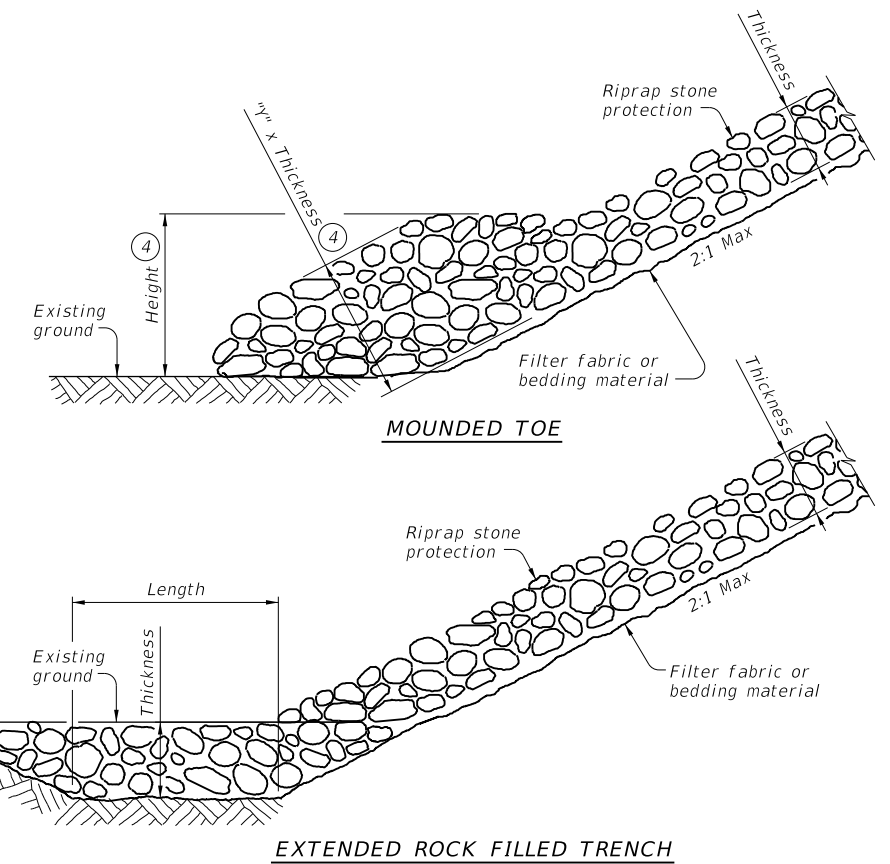


FIGURE 3 ~ TYPE F STONE RIPRAP
grouted

- ② Provide bedding material instead of filter fabric if shown elsewhere in plans. See Layout for thickness of bedding material.
- ③ Minimum toe depth is the larger of the maximum scour depth or 2 times the riprap thickness.
- ④ "Y" and Height need to be defined. See layout or detail sheet for values if this option is used.
- ⑤ List Stone Protection as size (XX inch) and thickness (YY inch) on the layout.
Example: Riprap (Stone Protection) XX inch, Thickness = YY inch.



PROTECTION STONE RIPRAP TOE OPTIONS ④

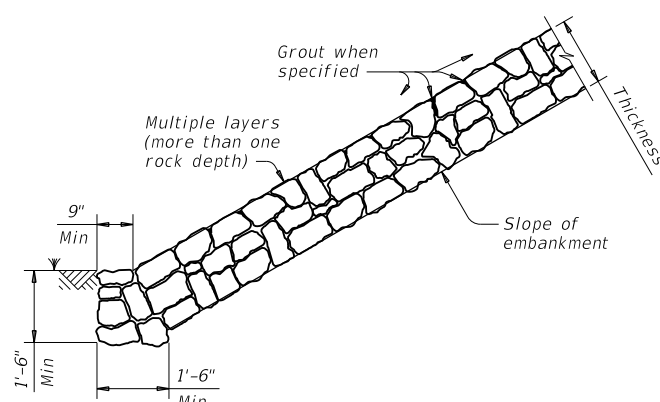
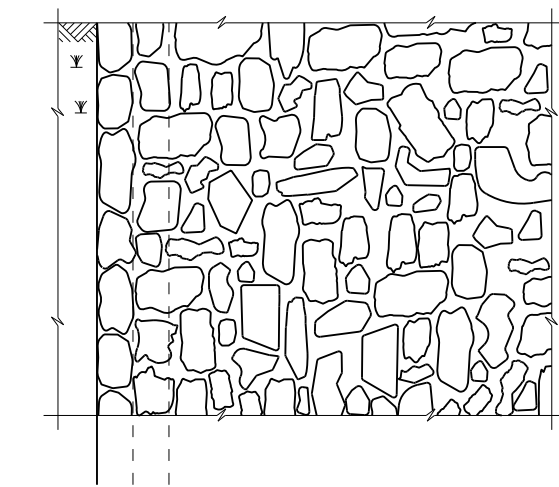


FIGURE 4 ~ COMMON STONE RIPRAP
dry or grouted

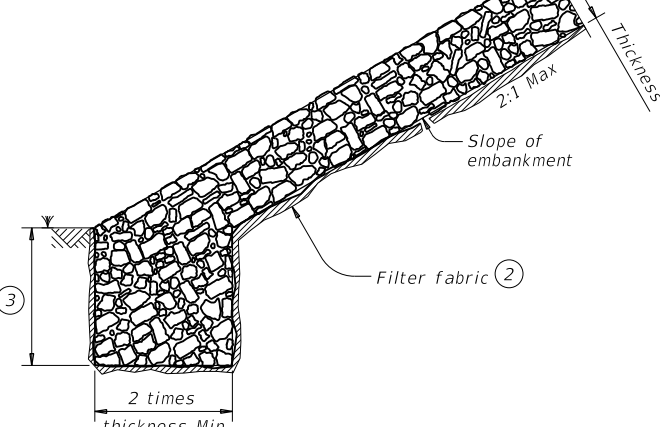
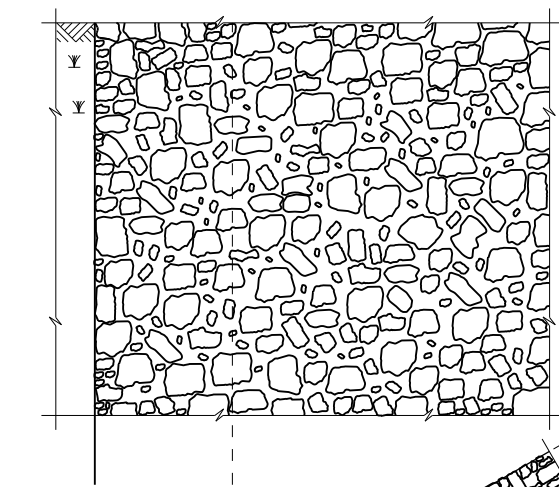


FIGURE 5 ~ PROTECTION STONE RIPRAP ⑤

STONE RIPRAP

SRR

FILE: MS-SRR-19.dgn	DN: AES	CK: JGD	DW: BWH	CK: AES
©TxDOT April 2019	CONT	SECT	JOB	HIGHWAY
REVISIONS	6454	19	001	US 290, ETC.
	DIST	COUNTY	SHEET NO.	
	AUS	TRAVIS, ETC.	31	

DISCLAIMER: The use of this standard is governed by the "Texas Engineering Practice Act". No warranty of any kind is made by TxDOT for any purpose whatsoever. TxDOT assumes no responsibility for the conversion of this standard to other formats or for incorrect results or damages resulting from its use.

DATE: 5/6/2024 9:31:17 AM
FILE: c:\workingdir\ja-pw-bentley.com\ja-pw-01\marcos silva\dms98644\CSJ 6454-19-001_EPIC.dgn

I. STORMWATER POLLUTION PREVENTION-CLEAN WATER ACT SECTION 402

TPDES TXR 150000: Stormwater Discharge Permit or Construction General Permit required for projects with 1 or more acres disturbed soil. Projects with any disturbed soil must protect for erosion and sedimentation in accordance with Item 506.

List MS4 Operator(s) that may receive discharges from this project. They may need to be notified prior to construction activities.

1.
2.
 No Action Required Required Action

Action No.

- Prevent stormwater pollution by controlling erosion and sedimentation in accordance with TPDES Permit TXR 150000
- Comply with the SW3P and revise when necessary to control pollution or required by the Engineer.
- Post Construction Site Notice (CSN) with SW3P information on or near the site, accessible to the public and TCEQ, EPA or other inspectors.
- When Contractor project specific locations (PSL's) increase disturbed soil area to 5 acres or more, submit NOI to TCEQ and the Engineer.

II. WORK IN OR NEAR STREAMS, WATERBODIES AND WETLANDS CLEAN WATER ACT SECTIONS 401 AND 404

USACE Permit required for filling, dredging, excavating or other work in any water bodies, rivers, creeks, streams, wetlands or wet areas.

The Contractor must adhere to all of the terms and conditions associated with the following permit(s):

- No Permit Required
 Nationwide Permit 14 - PCN not Required (less than 1/10th acre waters or wetlands affected)
 Nationwide Permit 14 - PCN Required (1/10 to <1/2 acre, 1/3 in tidal waters)
 Individual 404 Permit Required
 Other Nationwide Permit Required: NWP* 3(a)

Required Actions: List waters of the US permit applies to, location in project and check Best Management Practices planned to control erosion, sedimentation and post-project TSS.

- | | |
|--|--------------------------------|
| 1. US 290 OVER SOUTH GRAPE CREEK | 5. US 87 OVER PEDERNALES RIVER |
| 2. SH 71 OVER FLAT ROCK CREEK | |
| 3. FM 734 EB OVER WALNUT CREEK TRIBUTARY / CMTA RR | |
| 4. PR 49 OVER PEDERNALES RIVER | |

The elevation of the ordinary high water marks of any areas requiring work to be performed in the waters of the US requiring the use of a nationwide permit can be found on the Bridge Layouts.

Best Management Practices:

Erosion	Sedimentation	Post-Construction TSS
<input type="checkbox"/> Temporary Vegetation	<input checked="" type="checkbox"/> Silt Fence	<input type="checkbox"/> Vegetative Filter Strips
<input type="checkbox"/> Blankets/Matting	<input type="checkbox"/> Rock Berm	<input type="checkbox"/> Retention/Irrigation Systems
<input type="checkbox"/> Mulch	<input type="checkbox"/> Triangular Filter Dike	<input type="checkbox"/> Extended Detention Basin
<input type="checkbox"/> Sodding	<input type="checkbox"/> Sand Bag Berm	<input type="checkbox"/> Constructed Wetlands
<input type="checkbox"/> Interceptor Swale	<input type="checkbox"/> Straw Bale Dike	<input type="checkbox"/> Wet Basin
<input type="checkbox"/> Diversion Dike	<input type="checkbox"/> Brush Berms	<input type="checkbox"/> Erosion Control Compost
<input type="checkbox"/> Erosion Control Compost	<input type="checkbox"/> Erosion Control Compost	<input type="checkbox"/> Mulch Filter Berm and Socks
<input type="checkbox"/> Mulch Filter Berm and Socks	<input type="checkbox"/> Mulch Filter Berm and Socks	<input type="checkbox"/> Compost Filter Berm and Socks
<input type="checkbox"/> Compost Filter Berm and Socks	<input type="checkbox"/> Compost Filter Berm and Socks	<input type="checkbox"/> Vegetation Lined Ditches
	<input type="checkbox"/> Stone Outlet Sediment Traps	<input type="checkbox"/> Sand Filter Systems
	<input type="checkbox"/> Sediment Basins	<input type="checkbox"/> Grassy Swales

III. CULTURAL RESOURCES

Refer to TxDOT Standard Specifications in the event historical issues or archeological artifacts are found during construction. Upon discovery of archeological artifacts (bones, burnt rock, flint, pottery, etc.) cease work in the immediate area and contact the Engineer immediately.

- No Action Required Required Action

Action No.

-
-
-
-

IV. VEGETATION RESOURCES

Preserve native vegetation to the extent practical. Contractor must adhere to Construction Specification Requirements Specs 162, 164, 192, 193, 506, 730, 751, 752 in order to comply with requirements for invasive species, beneficial landscaping, and tree/brush removal commitments.

- No Action Required Required Action

Action No.

- Comply with Invasive Species Executive Order 13112 when applicable.
-
-
-

V. FEDERAL LISTED, PROPOSED THREATENED, ENDANGERED SPECIES, CRITICAL HABITAT, STATE LISTED SPECIES, CANDIDATE SPECIES AND MIGRATORY BIRDS.

- No Action Required Required Action

Action No.

- See the special provision for Migratory Birds and Bats in Item 7 of the General Notes.
- Work over or near Bodies of Water: Contractor shall not work outside the limits of construction indicated on the plans. There are State-Listed endangered species in the listed bodies of water. If the Contractor works outside the limits of construction shown in the plans due to known field conditions, the Environmental Department of TxDOT will be notified immediately and work in this area will cease immediately.

If any of the listed species are observed, cease work in the immediate area, do not disturb species or habitat and contact the Engineer immediately. The work may not remove active nests from bridges and other structures during nesting season of the birds associated with the nests. If caves or sinkholes are discovered, cease work in the immediate area, and contact the Engineer immediately.

LIST OF ABBREVIATIONS

BMP: Best Management Practice	SPCC: Spill Prevention Control and Countermeasure
CGP: Construction General Permit	SWSP: Storm Water Pollution Prevention Plan
DSHS: Texas Department of State Health Services	PCN: Pre-Construction Notification
FHWA: Federal Highway Administration	PSL: Project Specific Location
MOA: Memorandum of Agreement	TCEQ: Texas Commission on Environmental Quality
MOU: Memorandum of Understanding	TPDES: Texas Pollutant Discharge Elimination System
MS4: Municipal Separate Stormwater Sewer System	TPWD: Texas Parks and Wildlife Department
MBTA: Migratory Bird Treaty Act	TxDOT: Texas Department of Transportation
NOT: Notice of Termination	T&E: Threatened and Endangered Species
NWP: Nationwide Permit	USACE: U. S. Army Corps of Engineers
NOI: Notice of Intent	USFWS: U. S. Fish and Wildlife Service

VI. HAZARDOUS MATERIALS OR CONTAMINATION ISSUES

General (applies to all projects):

Comply with the Hazard Communication Act (the Act) for personnel who will be working with hazardous materials by conducting safety meetings prior to beginning construction and making workers aware of potential hazards in the workplace. Ensure that all workers are provided with personal protective equipment appropriate for any hazardous materials used.

Obtain and keep on-site Material Safety Data Sheets (MSDS) for all hazardous products used on the project, which may include, but are not limited to the following categories: Paints, acids, solvents, asphalt products, chemical additives, fuels and concrete curing compounds or additives. Provide protected storage, off bare ground and covered, for products which may be hazardous. Maintain product labeling as required by the Act.

Maintain an adequate supply of on-site spill response materials, as indicated in the MSDS. In the event of a spill, take actions to mitigate the spill as indicated in the MSDS, in accordance with safe work practices, and contact the District Spill Coordinator immediately. The Contractor shall be responsible for the proper containment and cleanup of all product spills.

Contact the Engineer if any of the following are detected:

- Dead or distressed vegetation (not identified as normal)
- Trash piles, drums, canister, barrels, etc.
- Undesirable smells or odors
- Evidence of leaching or seepage of substances

Does the project involve any bridge class structure rehabilitation or replacements (bridge class structures not including box culverts)?

- Yes No

If "No", then no further action is required.

If "Yes", then TxDOT is responsible for completing asbestos assessment/inspection.

Are the results of the asbestos inspection positive (is asbestos present)?

- Yes No

If "Yes", then TxDOT must retain a DSHS licensed asbestos consultant to assist with the notification, develop abatement/mitigation procedures, and perform management activities as necessary. The notification form to DSHS must be postmarked at least 15 working days prior to scheduled demolition.

If "No", then TxDOT is still required to notify DSHS 15 working days prior to any scheduled demolition.

In either case, the Contractor is responsible for providing the date(s) for abatement activities and/or demolition with careful coordination between the Engineer and asbestos consultant in order to minimize construction delays and subsequent claims.

Any other evidence indicating possible hazardous materials or contamination discovered on site. Hazardous Materials or Contamination Issues Specific to this Project:

- No Action Required Required Action

Action No.

- Contractor to coordinate with TxDOT to determine whether asbestos testing has been completed.
- See Item 7 of the General Notes.
-


VII. OTHER ENVIRONMENTAL ISSUES

(includes regional issues such as Edwards Aquifer District, etc.)

- No Action Required Required Action

Action No.

-
-
-

		Design Division Standard			
<h2>ENVIRONMENTAL PERMITS, ISSUES AND COMMITMENTS</h2> <h3>EPIC</h3>					
FILE: epic.dgn	DN: TxDOT	CK: RG	DW: VP	CK: AR	
© TxDOT: February 2015		CONT: 6454	SECT: 19	JOB: 001	HIGHWAY: US 290, ETC.
12-12-2011 (DS) REVISIONS		DIST: AUSTIN		COUNTY: TRAVIS, ETC.	SHEET NO. 32
05-07-14 ADDED NOTE SECTION IV.		01-23-2015 SECTION I CHANGED ITEM 1122 TO ITEM 506, ADDED GRASSY SWALES.			

DISCLAIMER: The use of this standard is governed by the "Texas Engineering Practice Act". No warranty of any kind is made by TxDOT for any purpose whatsoever. TxDOT assumes no responsibility for the conversion of this standard to other formats or for incorrect results or damages resulting from its use.

DATE:
 FILE:

BARRICADE AND CONSTRUCTION (BC) STANDARD SHEETS GENERAL NOTES:

1. The Barricade and Construction Standard Sheets (BC sheets) are intended to show typical examples for placement of temporary traffic control devices, construction pavement markings, and typical work zone signs. The information contained in these sheets meet or exceed the requirements shown in the "Texas Manual on Uniform Traffic Control Devices" (TMUTCD).
2. The development and design of the Traffic Control Plan (TCP) is the responsibility of the Engineer.
3. The Contractor may propose changes to the TCP that are signed and sealed by a licensed professional engineer for approval. The Engineer may develop, sign and seal Contractor proposed changes.
4. The Contractor is responsible for installing and maintaining the traffic control devices as shown in the plans. The Contractor may not move or change the approximate location of any device without the approval of the Engineer.
5. Geometric design of lane shifts and detours should, when possible, meet the applicable design criteria contained in manuals such as the American Association of State Highway and Transportation Officials (AASHTO), "A Policy on Geometric Design of Highways and Streets," the TxDOT "Roadway Design Manual" or engineering judgment.
6. When projects abut, the Engineer(s) may omit the END ROAD WORK, TRAFFIC FINES DOUBLE, and other advance warning signs if the signing would be redundant and the work areas appear continuous to the motorists. If the adjacent project is completed first, the Contractor shall erect the necessary warning signs as shown on these sheets, the TCP sheets or as directed by the Engineer. The BEGIN ROAD WORK NEXT X MILES sign shall be revised to show appropriate work zone distance.
7. The Engineer may require duplicate warning signs on the median side of divided highways where median width will permit and traffic volumes justify the signing.
8. All signs shall be constructed in accordance with the details found in the "Standard Highway Sign Designs for Texas," latest edition. Sign details not shown in this manual shall be shown in the plans or the Engineer shall provide a detail to the Contractor before the sign is manufactured.
9. The temporary traffic control devices shown in the illustrations of the BC sheets are examples. As necessary, the Engineer will determine the most appropriate traffic control devices to be used.
10. Where highway construction or maintenance work is being undertaken, other than mobile operations as defined by the Texas Manual on Uniform Traffic Control Devices, CSJ limit signs are required. CSJ limit signs are shown on BC(2). The OBEY WARNING SIGNS STATE LAW sign, STAY ALERT TALK OR TEXT LATER and the WORK ZONE TRAFFIC FINES DOUBLE sign with plaque shall be erected in advance of the CSJ limits. The BEGIN ROAD WORK NEXT X MILES, CONTRACTOR and END ROAD WORK signs shall be erected at or near the CSJ limits. For mobile operations, CSJ limit signs are not required.
11. Traffic control devices should be in place only while work is actually in progress or a definite need exists.
12. The Engineer has the final decision on the location of all traffic control devices.
13. Inactive equipment and work vehicles, including workers' private vehicles must be parked away from travel lanes. They should be as close to the right-of-way line as possible, or located behind a barrier or guardrail, or as approved by the Engineer.

WORKER SAFETY NOTES:


1. Workers on foot who are exposed to traffic or to construction equipment within the right-of-way shall wear high-visibility safety apparel meeting the requirements of ISEA "American National Standard for High-Visibility Apparel," or equivalent revisions, and labeled as ANSI 107-2004 standard performance for Class 2 or 3 risk exposure. Class 3 garments should be considered for high traffic volume work areas or night time work.
2. Except in emergency situations, flagger stations shall be illuminated when flagging is used at night.

COMPLIANT WORKZONE TRAFFIC CONTROL DEVICES

1. Only pre-qualified products shall be used. The "Compliant Work Zone Traffic Control Devices List" (CWZTCD) describes pre-qualified products and their sources.
2. Work zone traffic control devices shall be compliant with the Manual for Assessing safety Hardware (MASH).

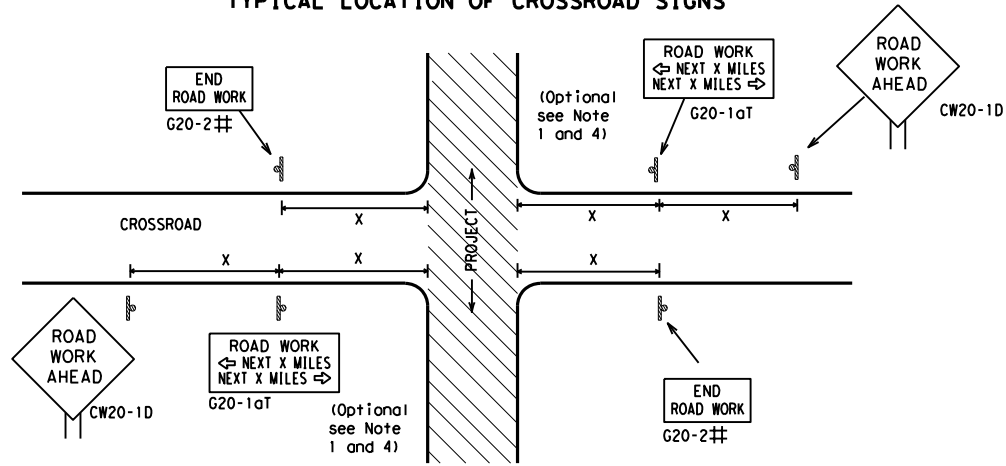
<p>THE DOCUMENTS BELOW CAN BE FOUND ON-LINE AT http://www.txdot.gov</p>
COMPLIANT WORK ZONE TRAFFIC CONTROL DEVICES LIST (CWZTCD)
DEPARTMENTAL MATERIAL SPECIFICATIONS (DMS)
MATERIAL PRODUCER LIST (MPL)
ROADWAY DESIGN MANUAL - SEE "MANUALS (ONLINE MANUALS)"
STANDARD HIGHWAY SIGN DESIGNS FOR TEXAS (SHSD)
TEXAS MANUAL ON UNIFORM TRAFFIC CONTROL DEVICES (TMUTCD)
TRAFFIC ENGINEERING STANDARD SHEETS

SHEET 1 OF 12

 Texas Department of Transportation		Traffic Safety Division Standard	
<p>BARRICADE AND CONSTRUCTION GENERAL NOTES AND REQUIREMENTS</p> <p>BC (1) - 21</p>			
FILE:	bc-21.dgn	DN:	TxDOT
© TxDOT	November 2002	CK:	TxDOT
		DW:	TxDOT
		CR:	TxDOT
REVISIONS		CONT	SECT
4-03	7-13	6454	19
9-07	8-14		
5-10	5-21		
		JOB	HIGHWAY
		001	US 290, ETC.
		DIST	COUNTY
		AUS	TRAVIS, ETC.
			SHEET NO.
			33

DISCLAIMER: The use of this standard is governed by the "Texas Engineering Practice Act". No warranty of any kind is made by TxDOT for any purpose whatsoever. TxDOT assumes no responsibility for the conversion of this standard to other formats or for incorrect results or damages resulting from its use.

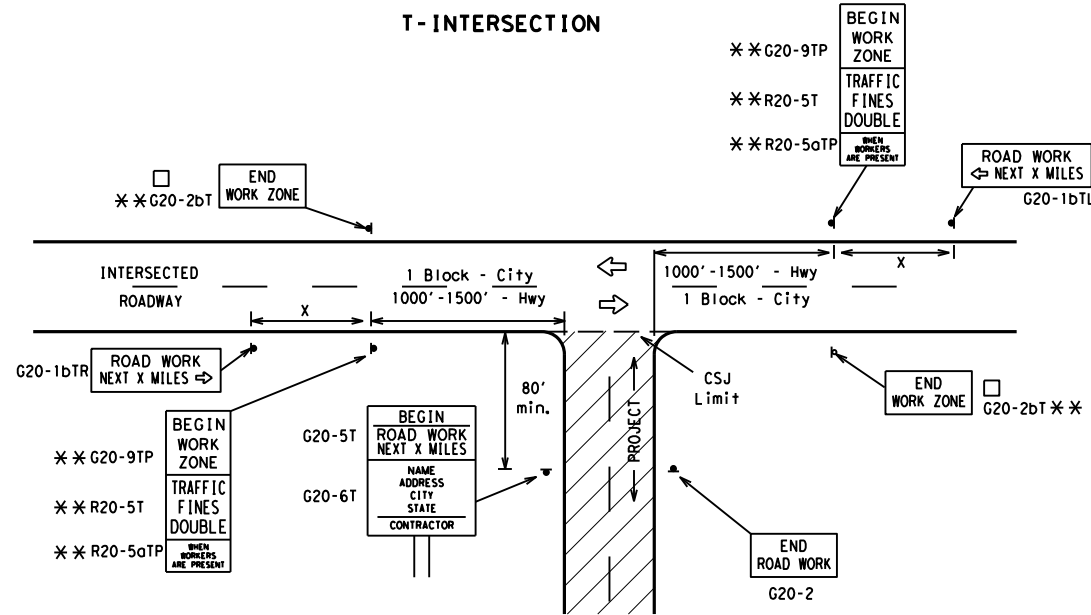
TYPICAL LOCATION OF CROSSROAD SIGNS



† May be mounted on back of "ROAD WORK AHEAD" (CW20-1D) sign with approval of Engineer. (See note 2 below)

- The typical minimum signing on a crossroad approach should be a "ROAD WORK AHEAD" (CW20-1D) sign and a (G20-2) "END ROAD WORK" sign, unless noted otherwise in plans.
- The Engineer may use the reduced size 36" x 36" ROAD WORK AHEAD (CW20-1D) sign mounted back to back with the reduced size 36" x 18" "END ROAD WORK" (G20-2) sign on low volume crossroads (see Note 4 under "Typical Construction Warning Sign Size and Spacing"). See the "Standard Highway Sign Designs for Texas" manual for sign details. The Engineer may omit the advance warning signs on low volume crossroads. The Engineer will determine whether a road is low volume as per TMUTCD Part 5. This information shall be shown in the plans.
- Based on existing field conditions, the Engineer/Inspector may require additional signs such as FLAGGER AHEAD, LOOSE GRAVEL, or other appropriate signs. When additional signs are required, these signs will be considered part of the minimum requirements. The Engineer/Inspector will determine the proper location and spacing of any sign not shown on the BC sheets, Traffic Control Plan sheets or the Work Zone Standard Sheets.
- The "ROAD WORK NEXT X MILES" (G20-1aT) sign shall be required at high volume crossroads to advise motorists of the length of construction in either direction from the intersection. The Engineer will determine whether a roadway is considered high volume.
- Additional traffic control devices may be shown elsewhere in the plans for higher volume crossroads.
- When work occurs in the intersection area, appropriate traffic control devices, as shown elsewhere in the plans or as determined by the Engineer/Inspector, shall be in place.

T-INTERSECTION



CSJ LIMITS AT T-INTERSECTION

- The Engineer will determine the types and location of any additional traffic control devices, such as a flagger and accompanying signs, or other signs, that should be used when work is being performed at or near an intersection.
- If construction closes the road at a T-intersection, the Contractor shall place the "CONTRACTOR NAME" (G20-6T) sign behind the Type 3 Barricades for the road closure (see BC(10) also). The "ROAD WORK NEXT X MILES" left arrow (G20-1bTL) and "ROAD WORK NEXT X MILES" right arrow (G20-1bTR) signs shall be replaced by the detour signing called for in the plans.

TYPICAL CONSTRUCTION WARNING SIGN SIZE AND SPACING^{1,5,6}

Sign Number or Series	SIZE		SPACING	
	Conventional Road	Expressway/Freeway	Posted Speed MPH	Sign Δ Spacing "x" Feet (Apprx.)
CW20 ⁴	48" x 48"	48" x 48"	30	120
CW21			35	160
CW22			40	240
CW23			45	320
CW25			50	400
CW1, CW2, CW7, CW8, CW9, CW11, CW14	36" x 36"	48" x 48"	55	500 ²
CW3, CW4, CW5, CW6, CW8-3, CW10, CW12	48" x 48"	48" x 48"	60	600 ²
			65	700 ²
			70	800 ²
			75	900 ²
			80	1000 ²
			*	* ³

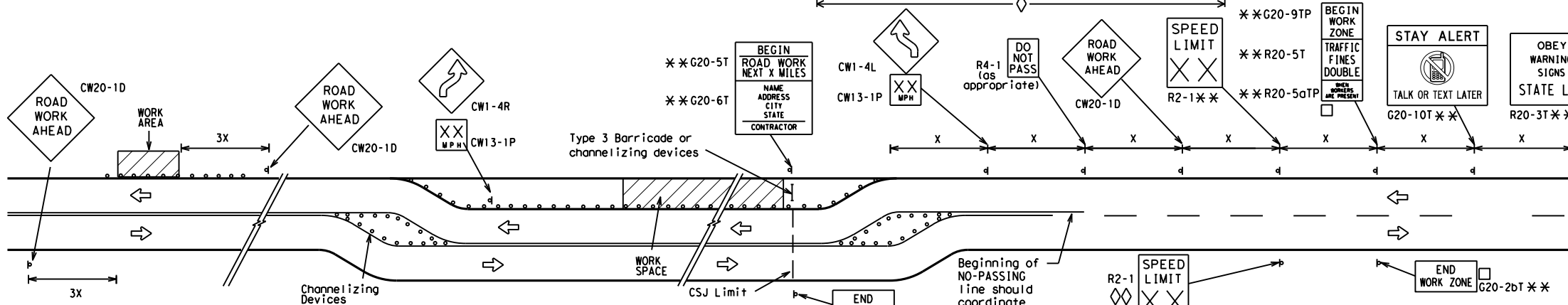
* For typical sign spacings on divided highways, expressways and freeways, see Part 6 of the "Texas Manual on Uniform Traffic Control Devices" (TMUTCD) typical application diagrams or TCP Standard Sheets.

Δ Minimum distance from work area to first Advance Warning sign nearest the work area and/or distance between each additional sign.

GENERAL NOTES

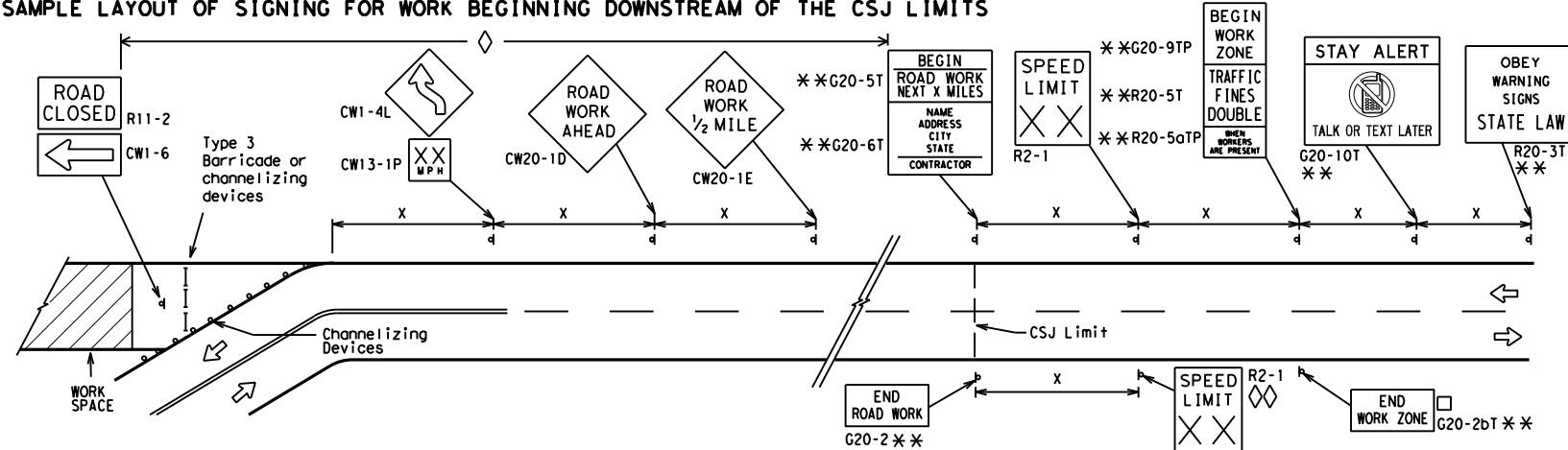
- Special or larger size signs may be used as necessary.
- Distance between signs should be increased as required to have 1500 feet advance warning.
- Distance between signs should be increased as required to have 1/2 mile or more advance warning.
- 36" x 36" "ROAD WORK AHEAD" (CW20-1D) signs may be used on low volume crossroads at the discretion of the Engineer as per TMUTCD Part 5. See Note 2 under "Typical Location of Crossroad Signs".
- Only diamond shaped warning sign sizes are indicated.
- See sign size listing in "TMUTCD", Sign Appendix or the "Standard Highway Sign Designs for Texas" manual for complete list of available sign design sizes.

WORK AREAS IN MULTIPLE LOCATIONS WITHIN CSJ LIMITS



When extended distances occur between minimal work spaces, the Engineer/Inspector should ensure additional "ROAD WORK AHEAD" (CW20-1D) signs are placed in advance of these work areas to remind drivers they are still within the project limits. See the applicable TCP sheets for exact location and spacing of signs and channelizing devices.

SAMPLE LAYOUT OF SIGNING FOR WORK BEGINNING DOWNSTREAM OF THE CSJ LIMITS



NOTES

- The Contractor shall determine the appropriate distance to be placed on the G20-1 series signs and "BEGIN ROAD WORK NEXT X MILES" (G20-5T) sign for each specific project. This distance shall replace the "x" and shall be rounded to the nearest whole mile with the approval of the Engineer. No decimals shall be used.
- The "BEGIN WORK ZONE" (G20-9TP) and "END WORK ZONE" (G20-2bT) shall be used as shown on the sample layout when advance signs are required outside the CSJ Limits. They inform the motorist of entering or leaving a part of the work zone lying outside the CSJ Limits where traffic fines may double if workers are present.
- CSJ limit signing is required for highway construction and maintenance work, with the exception of mobile operations.
- Area for placement of "ROAD WORK AHEAD" (CW20-1D) sign and other signs or devices as called for on the Traffic Control Plan.
- Contractor will install a regulatory speed limit sign at the end of the work zone.

LEGEND	
	Type 3 Barricade
	Channelizing Devices
	Sign
X	See Typical Construction Warning Sign Size and Spacing chart or the TMUTCD for sign spacing requirements.

SHEET 2 OF 12



BARRICADE AND CONSTRUCTION PROJECT LIMIT

BC(2)-21

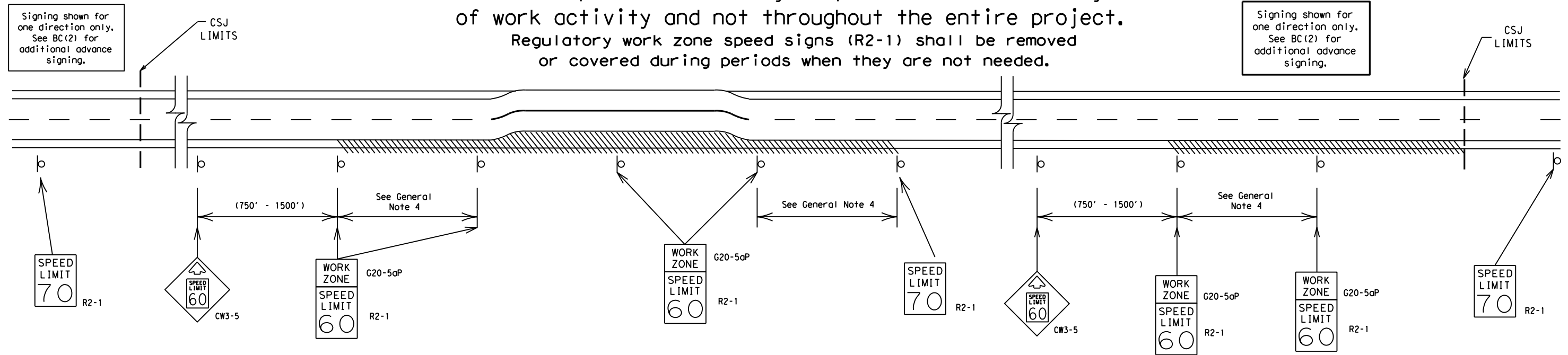
FILE: bc-21.dgn	DN: TxDOT	CK: TxDOT	DW: TxDOT	CR: TxDOT
© TxDOT November 2002	CONT	SECT	JOB	HIGHWAY
REVISIONS	6454	19	001	US 290, ETC.
9-07 8-14	DIST	COUNTY	SHEET NO.	
7-13 5-21	AUS	TRAVIS, ETC.	34	

DATE: FILE:

TYPICAL APPLICATION OF WORK ZONE SPEED LIMIT SIGNS

Work zone speed limits shall be regulatory, established in accordance with the "Procedures for Establishing Speed Zones," and approved by the Texas Transportation Commission, or by City Ordinance when within Incorporated City Limits.

Reduced speeds should only be posted in the vicinity of work activity and not throughout the entire project. Regulatory work zone speed signs (R2-1) shall be removed or covered during periods when they are not needed.



GUIDANCE FOR USE:

LONG/INTERMEDIATE TERM WORK ZONE SPEED LIMITS

This type of work zone speed limit should be included on the design of the traffic control plans when restricted geometrics with a lower design speed are present in the work zone and modification of the geometrics to a higher design speed is not feasible.

Long/Intermediate Term Work Zone Speed Limit signs, when approved as described above, should be posted and visible to the motorist when work activity is present. Work activity may also be defined as a change in the roadway that requires a reduced speed for motorists to safely negotiate the work area, including:

- rough road or damaged pavement surface
- substantial alteration of roadway geometrics (diversions)
- construction detours
- grade
- width
- other conditions readily apparent to the driver

As long as any of these conditions exist, the work zone speed limit signs should remain in place.

SHORT TERM WORK ZONE SPEED LIMITS

This type of work zone speed limit may be included on the design of the traffic control plans when workers or equipment are not behind concrete barrier, when work activity is within 10 feet of the traveled way or actually in the traveled way.

Short Term Work Zone Speed Limit signs should be posted and visible to the motorists only when work activity is present. When work activity is not present, signs shall be removed or covered. (See Removing or Covering on BC(4)).

GENERAL NOTES

- Regulatory work zone speed limits should be used only for sections of construction projects where speed control is of major importance.
- Regulatory work zone speed limit signs shall be placed on supports at a 7 foot minimum mounting height.
- Speed zone signs are illustrated for one direction of travel and are normally posted for each direction of travel.
- Frequency of work zone speed limit signs should be:

40 mph and greater	0.2 to 2 miles
35 mph and less	0.2 to 1 mile
- Regulatory speed limit signs shall have black legend and border on a white reflective background (See "Reflective Sheeting" on BC(4)).
- Fabrication, erection and maintenance of the "ADVANCE SPEED LIMIT" (CW3-5) sign, "WORK ZONE" (G20-5aP) plaque and the "SPEED LIMIT" (R2-1) signs shall not be paid for directly, but shall be considered subsidiary to Item 502.
- Turning signs from view, laying signs over or down will not be allowed, unless as otherwise noted under "REMOVING OR COVERING" on BC(4).
- Techniques that may help reduce traffic speeds include but are not limited to:
 - Law enforcement.
 - Flagger stationed next to sign.
 - Portable changeable message sign (PCMS).
 - Low-power (drone) radar transmitter.
 - Speed monitor trailers or signs.
- Speeds shown on details above are for illustration only. Work Zone Speed Limits should only be posted as approved for each project.
- For more specific guidance concerning the type of work, work zone conditions and factors impacting allowable regulatory construction speed zone reduction see TxDOT form #1204 in the TxDOT e-form system.

DISCLAIMER: The use of this standard is governed by the "Texas Engineering Practice Act". No warranty of any kind is made by TxDOT for any purpose whatsoever. TxDOT assumes no responsibility for the conversion of this standard to other formats or for incorrect results or damages resulting from its use.

DATE:
FILE:

SHEET 3 OF 12



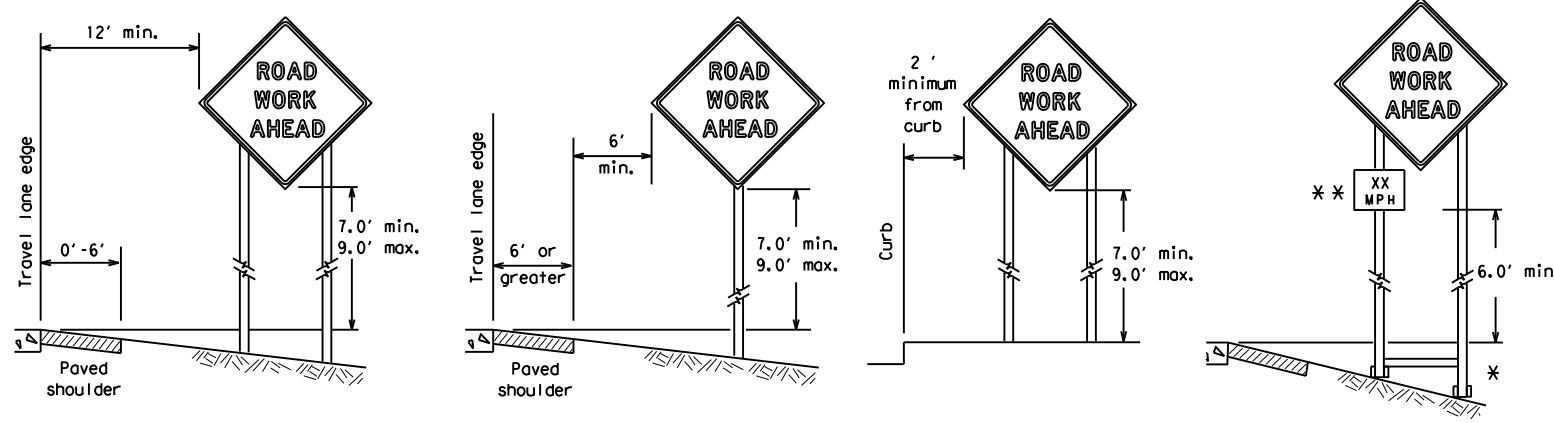
BARRICADE AND CONSTRUCTION WORK ZONE SPEED LIMIT

BC (3) - 21

FILE:	bc-21.dgn	DW:	TxDOT	CK:	TxDOT	DW:	TxDOT	CK:	TxDOT
© TxDOT	November 2002	CONT	SECT	JOB	HIGHWAY				
REVISIONS	6454	19	001	US 290, ETC.					
9-07	8-14	DIST	COUNTY	SHEET NO.					
7-13	5-21	AUS	TRAVIS, ETC.	35					

DISCLAIMER: The use of this standard is governed by the "Texas Engineering Practice Act". No warranty of any kind is made by TxDOT for any purpose whatsoever. TxDOT assumes no responsibility for the conversion of this standard to other formats or for incorrect results or damages resulting from its use.

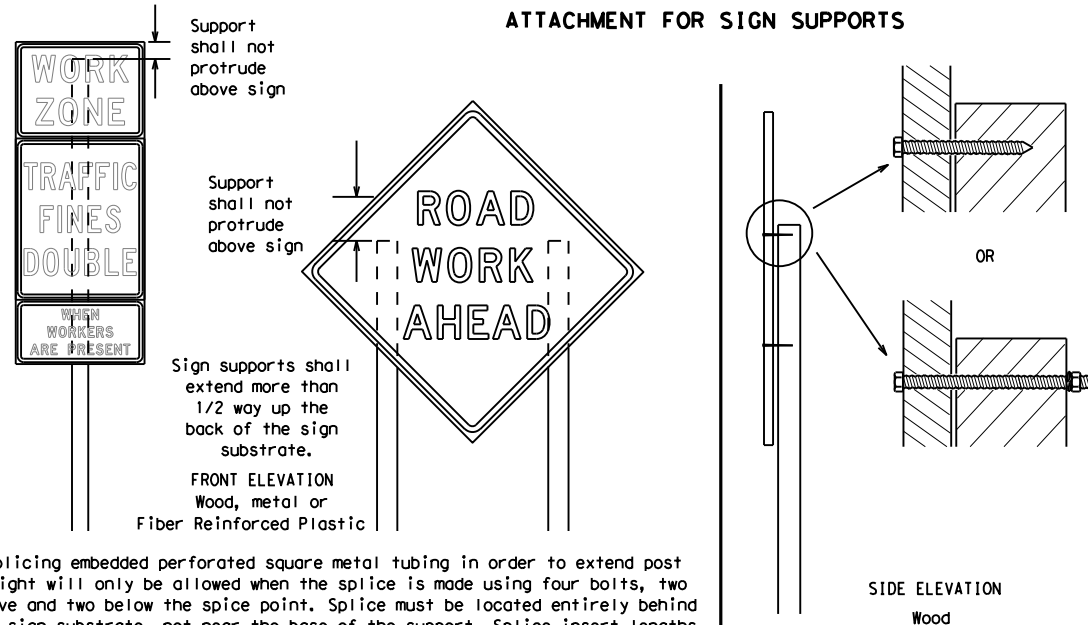
TYPICAL MINIMUM CLEARANCES FOR LONG TERM AND INTERMEDIATE TERM SIGNS



* When placing skid supports on unlevel ground, the leg post lengths must be adjusted so the sign appears straight and plumb. Objects shall NOT be placed under skids as a means of leveling.

** When plaques are placed on dual-leg supports, they should be attached to the upright nearest the travel lane. Supplemental plaques (advisory or distance) should not cover the surface of the parent sign.

ATTACHMENT FOR SIGN SUPPORTS



Splicing embedded perforated square metal tubing in order to extend post height will only be allowed when the splice is made using four bolts, two above and two below the splice point. Splice must be located entirely behind the sign substrate, not near the base of the support. Splice insert lengths should be at least 5 times nominal post size, centered on the splice and of at least the same gauge material.

GENERAL NOTES FOR WORK ZONE SIGNS

- Contractor shall install and maintain signs in a straight and plumb condition and/or as directed by the Engineer.
- Wooden sign posts shall be painted white.
- Barricades shall NOT be used as sign supports.
- All signs shall be installed in accordance with the plans or as directed by the Engineer. Signs shall be used to regulate, warn, and guide the traveling public safely through the work zone.
- The Contractor may furnish either the sign design shown in the plans or in the "Standard Highway Sign Designs for Texas" (SHSD). The Engineer/Inspector may require the Contractor to furnish other work zone signs that are shown in the TMUTCD but may have been omitted from the plans. Any variation in the plans shall be documented by written agreement between the Engineer and the Contractor's Responsible Person. All changes must be documented in writing before being implemented. This can include documenting the changes in the Inspector's TxDOT diary and having both the Inspector and Contractor initial and date the agreed upon changes.
- The Contractor shall furnish sign supports listed in the "Compliant Work Zone Traffic Control Device List" (CWZTCD) for small roadside signs. Supports for temporary large roadside signs shall meet the requirements detailed on the Temporary Large Roadside Signs (TLRS) standard sheets. The Contractor shall install the sign support in accordance with the manufacturer's recommendations. If there is a question regarding installation procedures, the Contractor shall furnish the Engineer a copy of the manufacturer's installation recommendations so the Engineer can verify the correct procedures are being followed.
- The Contractor is responsible for installing signs on approved supports and replacing signs with damaged or cracked substrates and/or damaged or marred reflective sheeting as directed by the Engineer/Inspector.
- Identification markings may be shown only on the back of the sign substrate. The maximum height of letters and/or company logos used for identification shall be 1 inch.
- The Contractor shall replace damaged wood posts. New or damaged wood sign posts shall not be spliced.

DURATION OF WORK (as defined by the "Texas Manual on Uniform Traffic Control Devices" Part 6)

- The types of sign supports, sign mounting height, the size of signs, and the type of sign substrates can vary based on the type of work being performed. The Engineer is responsible for selecting the appropriate size sign for the type of work being performed. The Contractor is responsible for ensuring the sign support, sign mounting height and substrate meets manufacturer's recommendations in regard to crashworthiness and duration of work requirements.
 - Long-term stationary - work that occupies a location more than 3 days.
 - Intermediate-term stationary - work that occupies a location more than one daylight period up to 3 days, or nighttime work lasting more than one hour.
 - Short-term stationary - daytime work that occupies a location for more than 1 hour in a single daylight period.
 - Short, duration - work that occupies a location up to 1 hour.
 - Mobile - work that moves continuously or intermittently (stopping for up to approximately 15 minutes.)

SIGN MOUNTING HEIGHT

- The bottom of Long-term/Intermediate-term signs shall be at least 7 feet, but not more than 9 feet, above the paved surface, except as shown for supplemental plaques mounted below other signs.
- The bottom of Short-term/Short Duration signs shall be a minimum of 1 foot above the pavement surface but no more than 2 feet above the ground.
- Long-term/Intermediate-term Signs may be used in lieu of Short-term/Short Duration signing.
- Short-term/Short Duration signs shall be used only during daylight and shall be removed at the end of the workday or raised to appropriate Long-term/Intermediate sign height.
- Regulatory signs shall be mounted at least 7 feet, but not more than 9 feet, above the paved surface regardless of work duration.

SIZE OF SIGNS

- The Contractor shall furnish the sign sizes shown on BC (2) unless otherwise shown in the plans or as directed by the Engineer.

SIGN SUBSTRATES

- The Contractor shall ensure the sign substrate is installed in accordance with the manufacturer's recommendations for the type of sign support that is being used. The CWZTCD lists each substrate that can be used on the different types and models of sign supports.
- "Mesh" type materials are NOT an approved sign substrate, regardless of the tightness of the weave.
- All wooden individual sign panels fabricated from 2 or more pieces shall have one or more plywood cleat, 1/2" thick by 6" wide, fastened to the back of the sign and extending fully across the sign. The cleat shall be attached to the back of the sign using wood screws that do not penetrate the face of the sign panel. The screws shall be placed on both sides of the splice and spaced at 6" centers. The Engineer may approve other methods of splicing the sign face.

REFLECTIVE SHEETING

- All signs shall be retroreflective and constructed of sheeting meeting the color and retro-reflectivity requirements of DMS-8300 for rigid signs or DMS-8310 for roll-up signs. The web address for DMS specifications is shown on BC(1).
- White sheeting, meeting the requirements of DMS-8300 Type A, shall be used for signs with a white background.
- Orange sheeting, meeting the requirements of DMS-8300 Type B_{FL} or Type C_{FL}, shall be used for rigid signs with orange backgrounds.

SIGN LETTERS

- All sign letters and numbers shall be clear, and open rounded type uppercase alphabet letters as approved by the Federal Highway Administration (FHWA) and as published in the "Standard Highway Sign Design for Texas" manual. Signs, letters and numbers shall be of first class workmanship in accordance with Department Standards and Specifications.

REMOVING OR COVERING

- When sign messages may be confusing or do not apply, the signs shall be removed or completely covered.
- Long-term stationary or intermediate stationary signs installed on square metal tubing may be turned away from traffic 90 degrees when the sign message is not applicable. This technique may not be used for signs installed in the median of divided highways or near any intersections where the sign may be seen from approaching traffic.
- Signs installed on wooden skids shall not be turned at 90 degree angles to the roadway. These signs should be removed or completely covered when not required.
- When signs are covered, the material used shall be opaque, such as heavy mil black plastic, or other materials which will cover the entire sign face and maintain their opaque properties under automobile headlights at night, without damaging the sign sheeting.
- Burlap shall NOT be used to cover signs.
- Duct tape or other adhesive material shall NOT be affixed to a sign face.
- Signs and anchor stubs shall be removed and holes backfilled upon completion of work.

SIGN SUPPORT WEIGHTS

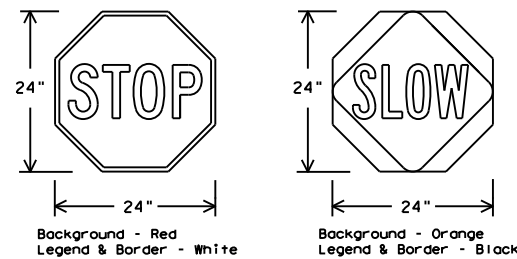
- Where sign supports require the use of weights to keep from turning over, the use of sandbags with dry, cohesionless sand should be used.
- The sandbags will be tied shut to keep the sand from spilling and to maintain a constant weight.
- Rock, concrete, iron, steel or other solid objects shall not be permitted for use as sign support weights.
- Sandbags should weigh a minimum of 35 lbs and a maximum of 50 lbs.
- Sandbags shall be made of a durable material that tears upon vehicular impact. Rubber (such as tire inner tubes) shall NOT be used.
- Rubber ballasts designed for channelizing devices should not be used for ballast on portable sign supports. Sign supports designed and manufactured with rubber bases may be used when shown on the CWZTCD list.
- Sandbags shall only be placed along or laid over the base supports of the traffic control device and shall not be suspended above ground level or hung with rope, wire, chains or other fasteners. Sandbags shall be placed along the length of the skids to weigh down the sign support.
- Sandbags shall NOT be placed under the skid and shall not be used to level sign supports placed on slopes.

FLAGS ON SIGNS

- Flags may be used to draw attention to warning signs. When used, the flag shall be 16 inches square or larger and shall be orange or fluorescent red-orange in color. Flags shall not be allowed to cover any portion of the sign face.

STOP/SLOW PADDLES

- STOP/SLOW paddles are the primary method to control traffic by flaggers. The STOP/SLOW paddle size should be 24" x 24".
- STOP/SLOW paddles shall be retroreflective when used at night.
- STOP/SLOW paddles may be attached to a staff with a minimum length of 6' to the bottom of the sign.
- Any lights incorporated into the STOP or SLOW paddle faces shall only be as specifically described in Section 6E.03 Hand Signaling Devices in the TMUTCD.



SHEETING REQUIREMENTS (WHEN USED AT NIGHT)		
USAGE	COLOR	SIGN FACE MATERIAL
BACKGROUND	RED	TYPE B OR C SHEETING
BACKGROUND	ORANGE	TYPE B _{FL} OR C _{FL} SHEETING
LEGEND & BORDER	WHITE	TYPE B OR C SHEETING
LEGEND & BORDER	BLACK	ACRYLIC NON-REFLECTIVE FILM

CONTRACTOR REQUIREMENTS FOR MAINTAINING PERMANENT SIGNS WITHIN THE PROJECT LIMITS

- Permanent signs are used to give notice of traffic laws or regulations, call attention to conditions that are potentially hazardous to traffic operations, show route designations, destinations, directions, distances, services, points of interest, and other geographical, recreational, specific service (LOGO), or cultural information. Drivers proceeding through a work zone need the same, if not better route guidance as normally installed on a roadway without construction.
- When permanent regulatory or warning signs conflict with work zone conditions, remove or cover the permanent signs until the permanent sign message matches the roadway condition. For details for covering large guide signs see the TS-CD standard.
- When existing permanent signs are moved and relocated due to construction purposes, they shall be visible to motorists at all times.
- If existing signs are to be relocated on their original supports, they shall be installed on crashworthy bases as shown on the SMD Standard sheets. The signs shall meet the required mounting heights shown on the BC Sheets or the SMD Standards. This work should be paid for under the appropriate pay item for relocating existing signs.
- If permanent signs are to be removed and relocated using temporary supports, the Contractor shall use crashworthy supports as shown on the BC standard sheets, TLRS standard sheets or the CWZTCD list. The signs shall meet the required mounting heights shown on the BC, or the SMD standard sheets during construction. This work should be paid for under the appropriate pay item for relocating existing signs.
- Any sign or traffic control device that is struck or damaged by the Contractor or his/her construction equipment shall be replaced as soon as possible by the Contractor to ensure proper guidance for the motorists. This will be subsidiary to Item 502.

SHEET 4 OF 12



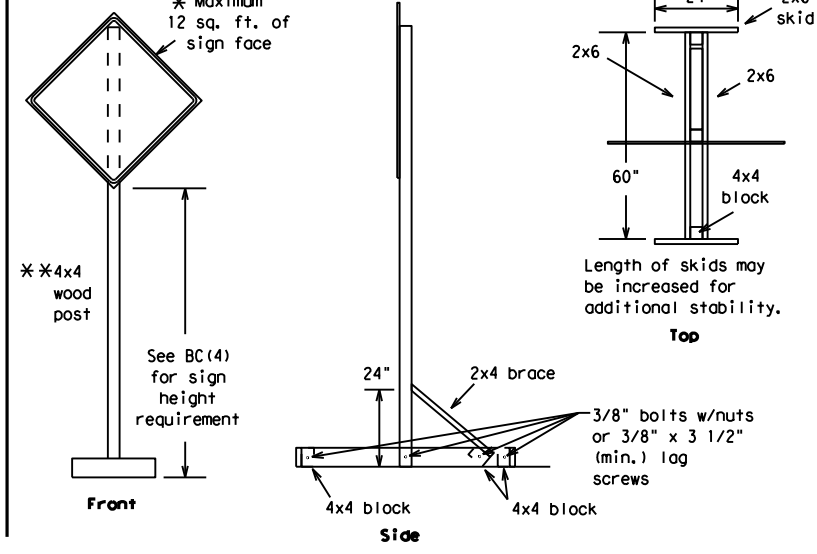
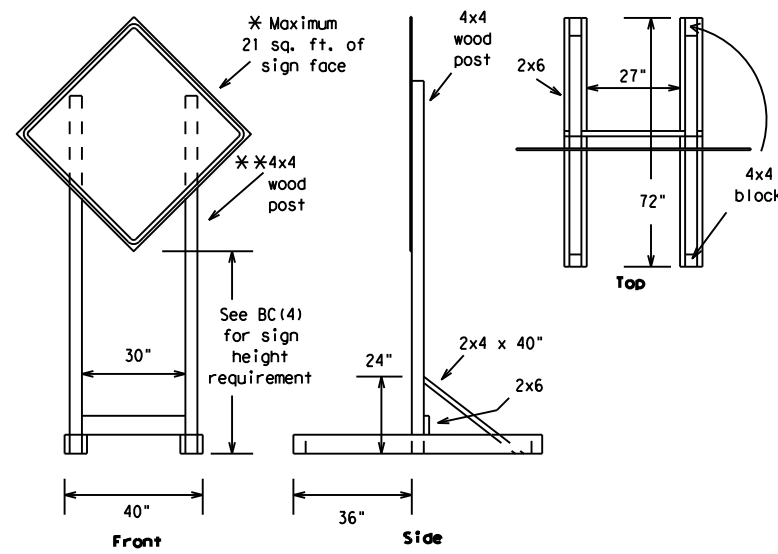
BARRICADE AND CONSTRUCTION TEMPORARY SIGN NOTES

BC (4) - 21

FILE:	bc-21.dgn	DN:	TxDOT	CR:	TxDOT	OW:	TxDOT	CK:	TxDOT
© TxDOT	November 2002	CONT	SECT	JOB	HIGHWAY				
REVISIONS		6454	19	001	US 290, ETC.				
9-07	8-14	DIST	COUNTY	SHEET NO.					
7-13	5-21	AUS	TRAVIS, ETC.	36					

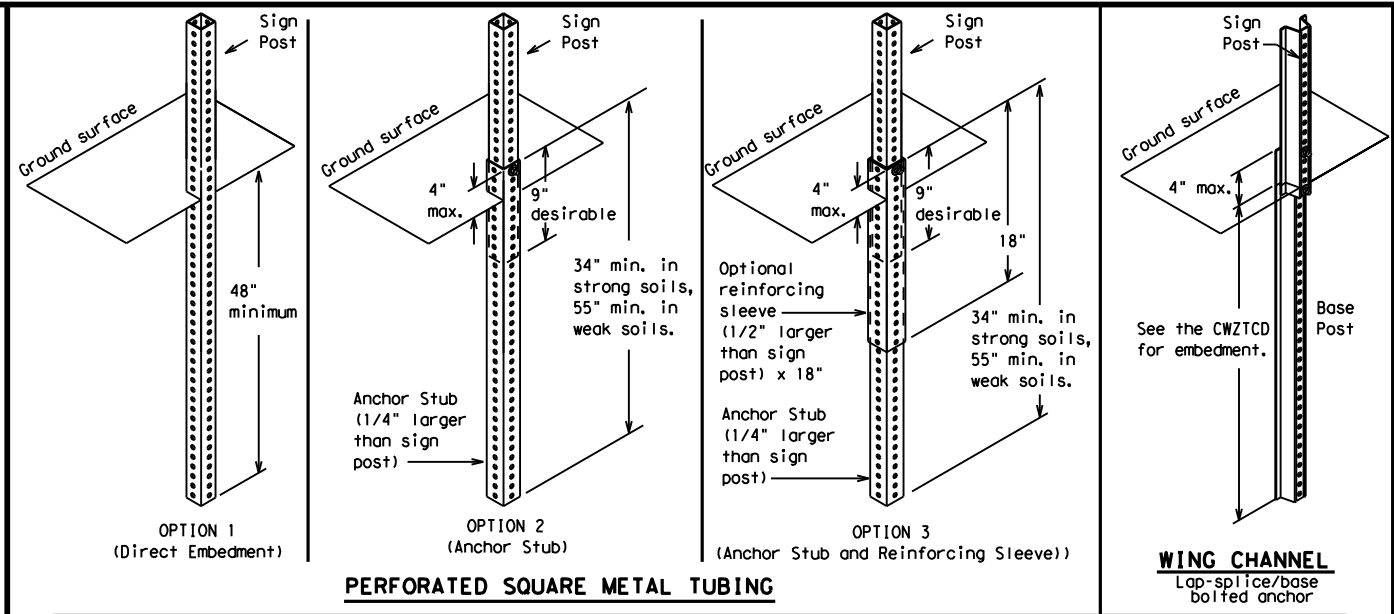
DATE:
FILE:

DISCLAIMER: The use of this standard is governed by the "Texas Engineering Practice Act". No warranty of any kind is made by TxDOT for any purpose whatsoever. TxDOT assumes no responsibility for the conversion of this standard to other formats or for incorrect results or damages resulting from its use.



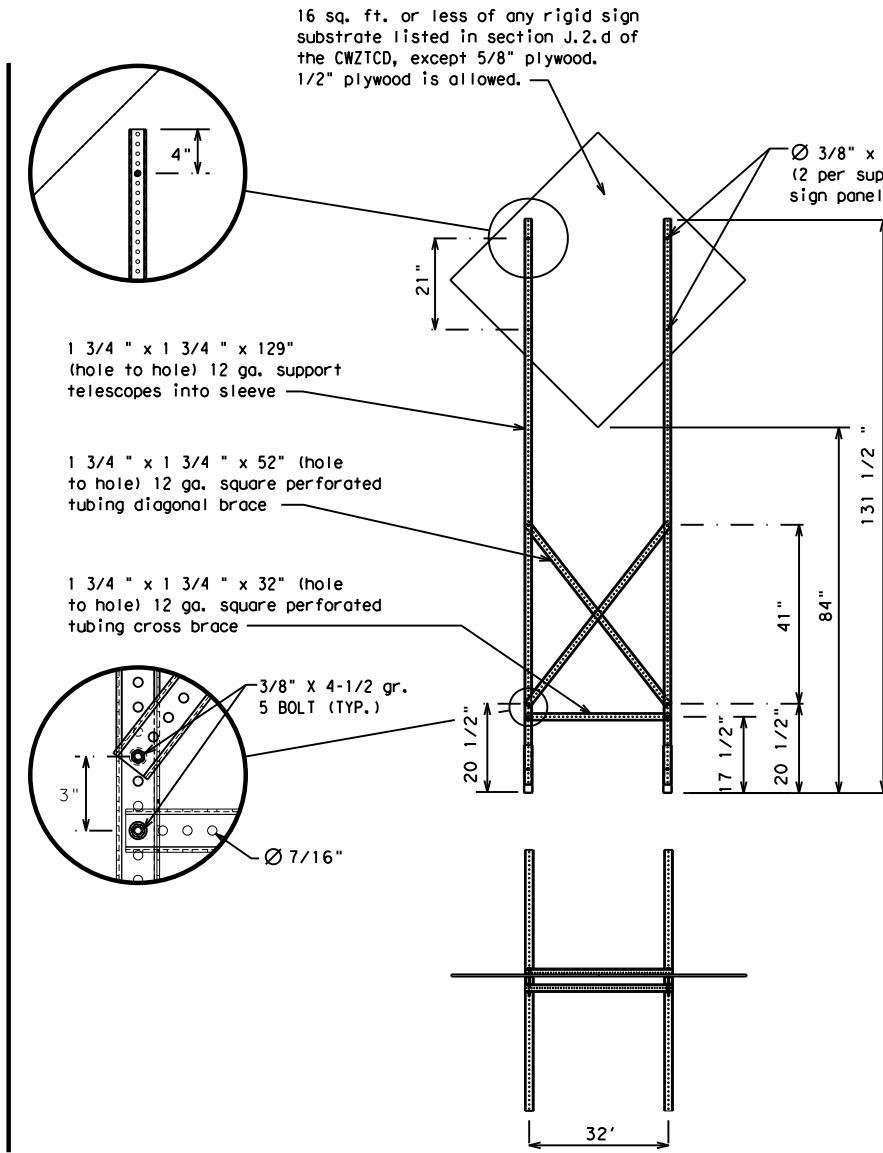
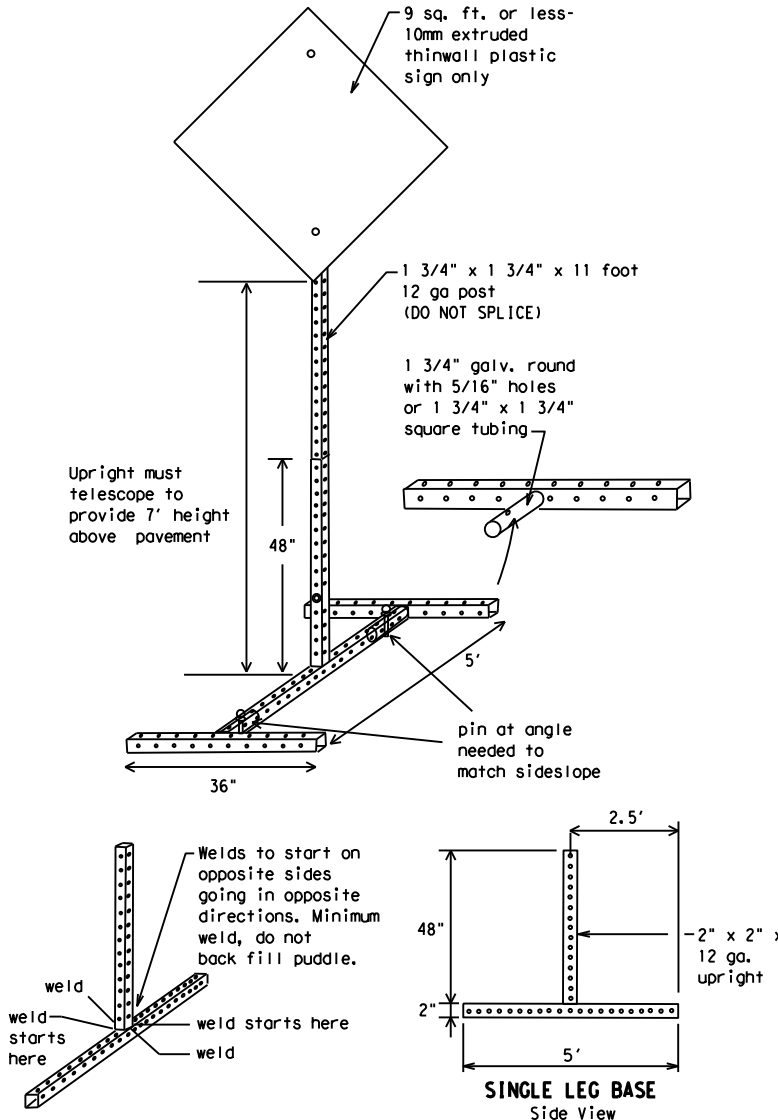
SKID MOUNTED WOOD SIGN SUPPORTS

* LONG/INTERMEDIATE TERM STATIONARY - PORTABLE SKID MOUNTED SIGN SUPPORTS



GROUND MOUNTED SIGN SUPPORTS

Refer to the CWZTCD and the manufacturer's installation procedure for each type sign support. The maximum sign square footage shall adhere to the manufacturer's recommendation. Two post installations can be used for larger signs.



SKID MOUNTED PERFORATED SQUARE STEEL TUBING SIGN SUPPORTS

* LONG/INTERMEDIATE TERM STATIONARY - PORTABLE SKID MOUNTED SIGN SUPPORTS

WEDGE ANCHORS

Both steel and plastic Wedge Anchor Systems as shown on the SMD Standard Sheets may be used as temporary sign supports for signs up to 10 square feet of sign face. They may be set in concrete or in sturdy soils if approved by the Engineer. (See web address for "Traffic Engineering Standard Sheets" on BC(1)).

OTHER DESIGNS

MORE DETAILS OF APPROVED LONG/INTERMEDIATE AND SHORT TERM SUPPORTS CAN BE FOUND ON THE CWZTCD LIST. SEE BC(1) FOR WEBSITE LOCATION.

GENERAL NOTES

- Nails may be used in the assembly of wooden sign supports, but 3/8" bolts with nuts or 3/8" x 3 1/2" lag screws must be used on every joint for final connection.
- No more than 2 sign posts shall be placed within a 7 ft. circle, except for specific materials noted on the CWZTCD List.
- When project is completed, all sign supports and foundations shall be removed from the project site. This will be considered subsidiary to Item 502.

- * See BC(4) for definition of "Work Duration."
- ** Wood sign posts MUST be one piece. Splicing will NOT be allowed. Posts shall be painted white.
- See the CWZTCD for the type of sign substrate that can be used for each approved sign support.

SHEET 5 OF 12



BARRICADE AND CONSTRUCTION TYPICAL SIGN SUPPORT

BC(5) - 21

FILE: bc-21.dgn	DN: TxDOT	CK: TxDOT	OW: TxDOT	CR: TxDOT
© TxDOT November 2002	CONT	SECT	JOB	HIGHWAY
REVISIONS	6454	19	001	US 290, ETC.
9-07 8-14	DIST	COUNTY	SHEET NO.	
7-13 5-21	AUS	TRAVIS, ETC.	37	

DATE: FILE:

WHEN NOT IN USE, REMOVE THE PCMS FROM THE RIGHT-OF-WAY OR PLACE THE PCMS BEHIND BARRIER OR GUARDRAIL WITH SIGN PANEL TURNED PARALLEL TO TRAFFIC

RECOMMENDED PHASES AND FORMATS FOR PCMS MESSAGES DURING ROADWORK ACTIVITIES

(The Engineer may approve other messages not specifically covered here.)

PORTABLE CHANGEABLE MESSAGE SIGNS

- The Engineer/Inspector shall approve all messages used on portable changeable message signs (PCMS).
- Messages on PCMS should contain no more than 8 words (about four to eight characters per word), not including simple words such as "TO," "FOR," "AT," etc.
- Messages should consist of a single phase, or two phases that alternate. Three-phase messages are not allowed. Each phase of the message should convey a single thought, and must be understood by itself.
- Use the word "EXIT" to refer to an exit ramp on a freeway; i.e., "EXIT CLOSED." Do not use the term "RAMP."
- Always use the route or interstate designation (IH, US, SH, FM) along with the number when referring to a roadway.
- When in use, the bottom of a stationary PCMS message panel should be a minimum 7 feet above the roadway, where possible.
- The message term "WEEKEND" should be used only if the work is to start on Saturday morning and end by Sunday evening at midnight. Actual days and hours of work should be displayed on the PCMS if work is to begin on Friday evening and/or continue into Monday morning.
- The Engineer/Inspector may select one of two options which are available for displaying a two-phase message on a PCMS. Each phase may be displayed for either four seconds each or for three seconds each.
- Do not "flash" messages or words included in a message. The message should be steady burn or continuous while displayed.
- Do not present redundant information on a two-phase message; i.e., keeping two lines of the message the same and changing the third line.
- Do not use the word "Danger" in message.
- Do not display the message "LANES SHIFT LEFT" or "LANES SHIFT RIGHT" on a PCMS. Drivers do not understand the message.
- Do not display messages that scroll horizontally or vertically across the face of the sign.
- The following table lists abbreviated words and two-word phrases that are acceptable for use on a PCMS. Both words in a phrase must be displayed together. Words or phrases not on this list should not be abbreviated, unless shown in the TMUTCD.
- PCMS character height should be at least 18 inches for trailer mounted units. They should be visible from at least 1/2 (.5) mile and the text should be legible from at least 600 feet at night and 800 feet in daylight. Truck mounted units must have a character height of 10 inches and must be legible from at least 400 feet.
- Each line of text should be centered on the message board rather than left or right justified.
- If disabled, the PCMS should default to an illegible display that will not alarm motorists and will only be used to alert workers that the PCMS has malfunctioned. A pattern such as a series of horizontal solid bars is appropriate.

DISCLAIMER: The use of this standard is governed by the "Texas Engineering Practice Act." No warranty of any kind is made by TxDOT for any purpose whatsoever. TxDOT assumes no responsibility for the conversion of this standard to other formats or for incorrect results or damages resulting from its use.

Phase 1: Condition Lists

Road/Lane/Ramp Closure List

FREEWAY CLOSED X MILE	FRONTAGE ROAD CLOSED
ROAD CLOSED AT SH XXX	SHOULDER CLOSED XXX FT
ROAD CLSD AT FM XXXX	RIGHT LN CLOSED XXX FT
RIGHT X LANES CLOSED	RIGHT X LANES OPEN
CENTER LANE CLOSED	DAYTIME LANE CLOSURES
NIGHT LANE CLOSURES	I-XX SOUTH EXIT CLOSED
VARIOUS LANES CLOSED	EXIT XXX CLOSED X MILE
EXIT CLOSED	RIGHT LN TO BE CLOSED
MALL DRIVEWAY CLOSED	X LANES CLOSED TUE - FRI
XXXXXXXX BLVD CLOSED	

Other Condition List

ROADWORK XXX FT	ROAD REPAIRS XXXX FT
FLAGGER XXXX FT	LANE NARROWS XXXX FT
RIGHT LN NARROWS XXXX FT	TWO-WAY TRAFFIC XX MILE
MERGING TRAFFIC XXXX FT	CONST TRAFFIC XXX FT
LOOSE GRAVEL XXXX FT	UNEVEN LANES XXXX FT
DETOUR X MILE	ROUGH ROAD XXXX FT
ROADWORK PAST SH XXXX	ROADWORK NEXT FRI-SUN
BUMP XXXX FT	US XXX EXIT X MILES
TRAFFIC SIGNAL XXXX FT	LANES SHIFT *

* LANES SHIFT in Phase 1 must be used with STAY IN LANE in Phase 2.

Phase 2: Possible Component Lists

Action to Take/Effect on Travel List

MERGE RIGHT	FORM X LINES RIGHT
DETOUR NEXT X EXITS	USE XXXXX RD EXIT
USE EXIT XXX	USE EXIT I-XX NORTH
STAY ON US XXX SOUTH	USE I-XX E TO I-XX N
TRUCKS USE US XXX N	WATCH FOR TRUCKS
WATCH FOR TRUCKS	EXPECT DELAYS
EXPECT DELAYS	PREPARE TO STOP
REDUCE SPEED XXX FT	END SHOULDER USE
USE OTHER ROUTES	WATCH FOR WORKERS
STAY IN LANE *	

Location List

AT FM XXXX
BEFORE RAILROAD CROSSING
NEXT X MILES
PAST US XXX EXIT
XXXXXXXX TO XXXXXX
US XXX TO FM XXXX

Warning List

SPEED LIMIT XX MPH
MAXIMUM SPEED XX MPH
MINIMUM SPEED XX MPH
ADVISORY SPEED XX MPH
RIGHT LANE EXIT
USE CAUTION
DRIVE SAFELY
DRIVE WITH CARE

** Advance Notice List

TUE-FRI XX AM-X PM
APR XX-XX X PM-X AM
BEGINS MONDAY
BEGINS MAY XX
MAY X-X XX PM - XX AM
NEXT FRI-SUN
XX AM TO XX PM
NEXT TUE AUG XX
TONIGHT XX PM-XX AM

** See Application Guidelines Note 6.

WORD OR PHRASE	ABBREVIATION	WORD OR PHRASE	ABBREVIATION
Access Road	ACCS RD	Major	MAJ
Alternate	ALT	Miles	MI
Avenue	AVE	Miles Per Hour	MPH
Best Route	BEST RTE	Minor	MNR
Boulevard	BLVD	Monday	MON
Bridge	BRDG	Normal	NORM
Cannot	CANT	North	N
Center	CTR	Northbound	(route) N
Construction Ahead	CONST AHD	Parking	PKING
CROSSING	XING	Road	RD
Detour Route	DETOUR RTE	Right Lane	RT LN
Do Not	DONT	Saturday	SAT
East	E	Service Road	SERV RD
Eastbound	(route) E	Shoulder	SHLDR
Emergency	EMER	Slippery	SLIP
Emergency Vehicle	EMER VEH	South	S
Entrance, Enter	ENT	Southbound	(route) S
Express Lane	EXP LN	Speed	SPD
Expressway	EXPWY	Street	ST
XXXX Feet	XXXX FT	Sunday	SUN
Fog Ahead	FOG AHD	Telephone	PHONE
Freeway	FRWY, FWY	Temporary	TEMP
Freeway Blocked	FWY BLKD	Thursday	THURS
Friday	FRI	To Downtown	TO DWNTN
Hazardous Driving	HAZ DRIVING	Traffic	TRAF
Hazardous Material	HAZMAT	Travelers	TRVLRs
High-Occupancy Vehicle	HOV	Tuesday	TUES
Highway	HWY	Time Minutes	TIME MIN
Hour(s)	HR, HRS	Upper Level	UPR LEVEL
Information	INFO	Vehicles (s)	VEH, VEHS
It Is	ITS	Warning	WARN
Junction	JCT	Wednesday	WED
Left	LFT	Weight Limit	WT LIMIT
Left Lane	LFT LN	West	W
Lane Closed	LN CLOSED	Westbound	(route) W
Lower Level	LWR LEVEL	Wet Pavement	WET PVMT
Maintenance	MAINT	Will Not	WONT

Roadway designation # IH-number, US-number, SH-number, FM-number

APPLICATION GUIDELINES

- Only 1 or 2 phases are to be used on a PCMS.
- The 1st phase (or both) should be selected from the "Road/Lane/Ramp Closure List" and the "Other Condition List".
- A 2nd phase can be selected from the "Action to Take/Effect on Travel, Location, General Warning, or Advance Notice Phase Lists".
- A Location Phase is necessary only if a distance or location is not included in the first phase selected.
- If two PCMS are used in sequence, they must be separated by a minimum of 1000 ft. Each PCMS shall be limited to two phases, and should be understandable by themselves.
- For advance notice, when the current date is within seven days of the actual work date, calendar days should be replaced with days of the week. Advance notification should typically be for no more than one week prior to the work.

WORDING ALTERNATIVES

- The words RIGHT, LEFT and ALL can be interchanged as appropriate.
- Roadway designations IH, US, SH, FM and LP can be interchanged as appropriate.
- EAST, WEST, NORTH and SOUTH (or abbreviations E, W, N and S) can be interchanged as appropriate.
- Highway names and numbers replaced as appropriate.
- ROAD, HIGHWAY and FREEWAY can be interchanged as needed.
- AHEAD may be used instead of distances if necessary.
- FT and MI, MILE and MILES interchanged as appropriate.
- AT, BEFORE and PAST interchanged as needed.
- Distances or AHEAD can be eliminated from the message if a location phase is used.

PCMS SIGNS WITHIN THE R.O.W. SHALL BE BEHIND GUARDRAIL OR CONCRETE BARRIER OR SHALL HAVE A MINIMUM OF FOUR (4) PLASTIC DRUMS PLACED PERPENDICULAR TO TRAFFIC ON THE UPSTREAM SIDE OF THE PCMS, WHEN EXPOSED TO ONE DIRECTION OF TRAFFIC. WHEN EXPOSED TO TWO WAY TRAFFIC, THE FOUR DRUMS SHOULD BE PLACED WITH ONE DRUM AT EACH OF THE FOUR CORNERS OF THE UNIT.

FULL MATRIX PCMS SIGNS

- When Full Matrix PCMS signs are used, the character height and legibility/visibility requirements shall be maintained as listed in Note 15 under "PORTABLE CHANGEABLE MESSAGE SIGNS" above.
- When symbol signs, such as the "Flagger Symbol" (CW20-7) are represented graphically on the Full Matrix PCMS sign and, with the approval of the Engineer, it shall maintain the legibility/visibility requirement listed above.
- When symbol signs are represented graphically on the Full Matrix PCMS, they shall only supplement the use of the static sign represented, and shall not substitute for, or replace that sign.
- A full matrix PCMS may be used to simulate a flashing arrow board provided it meets the visibility, flash rate and dimming requirements on BC(7), for the same size arrow.

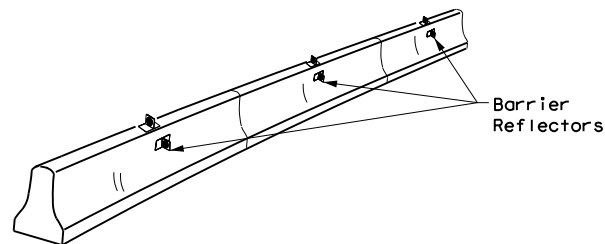
SHEET 6 OF 12

<h3>BARRICADE AND CONSTRUCTION PORTABLE CHANGEABLE MESSAGE SIGN (PCMS)</h3>			
<h2>BC (6) - 21</h2>			
FILE:	bc-21.dgn	DN:	TxDOT
© TxDOT	November 2002	CONT:	SECT:
REVISIONS	6454	19	001
9-07	8-14	DIST:	COUNTY:
7-13	5-21	AUS:	TRAVIS, ETC.
			SHEET NO. 38

DATE: FILE:

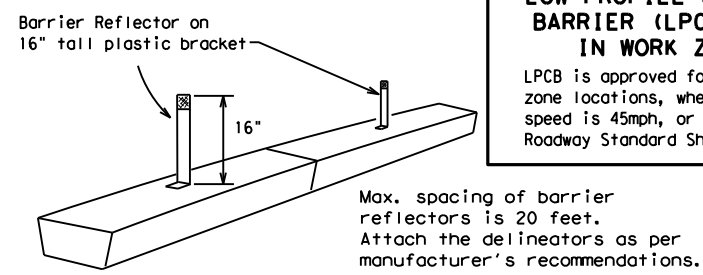
DISCLAIMER: The use of this standard is governed by the "Texas Engineering Practice Act". No warranty of any kind is made by TxDOT for any purpose whatsoever. TxDOT assumes no responsibility for the conversion of this standard to other formats or for incorrect results or damages resulting from its use.

- Barrier Reflectors shall be pre-qualified, and conform to the color and reflectivity requirements of DMS-8600. A list of prequalified Barrier Reflectors can be found at the Material Producer List web address shown on BC(1).
- Color of Barrier Reflectors shall be as specified in the TMUTCD. The cost of the reflectors shall be considered subsidiary to Item 512.



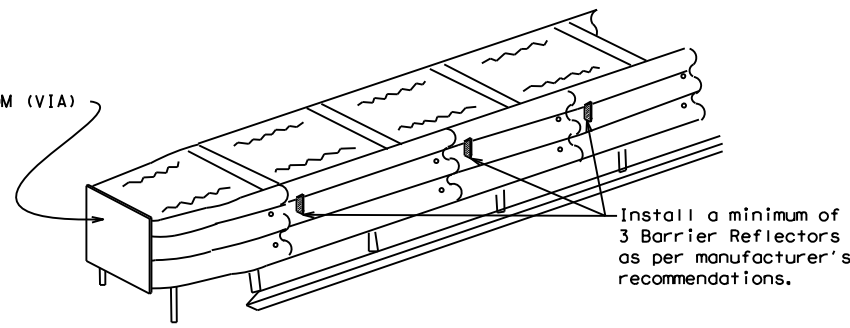
CONCRETE TRAFFIC BARRIER (CTB)

- Where traffic is on one side of the CTB, two (2) Barrier Reflectors shall be mounted in approximately the midsection of each section of CTB. An alternate mounting location is uniformly spaced at one end of each CTB. This will allow for attachment of a barrier grapple without damaging the reflector. The Barrier Reflector mounted on the side of the CTB shall be located directly below the reflector mounted on top of the barrier, as shown in the detail above.
- Where CTB separates two-way traffic, three barrier reflectors shall be mounted on each section of CTB. The reflector unit on top shall have two yellow reflective faces (Bi-Directional) while the reflectors on each side of the barrier shall have one yellow reflective face, as shown in the detail above.
- When CTB separates traffic traveling in the same direction, no barrier reflectors will be required on top of the CTB.
- Barrier Reflector units shall be yellow or white in color to match the edgeline being supplemented.
- Maximum spacing of Barrier Reflectors is forty (40) feet.
- Pavement markers or temporary flexible-reflective roadway marker tabs shall NOT be used as CTB delineation.
- Attachment of Barrier Reflectors to CTB shall be per manufacturer's recommendations.
- Missing or damaged Barrier Reflectors shall be replaced as directed by the Engineer.
- Single slope barriers shall be delineated as shown on the above detail.



LOW PROFILE CONCRETE BARRIER (LPCB) USED IN WORK ZONES
 LPCB is approved for use in work zone locations, where the posted speed is 45mph, or less. See Roadway Standard Sheet LPCB.

LOW PROFILE CONCRETE BARRIER (LPCB)



DELINEATION OF END TREATMENTS

END TREATMENTS FOR CTB'S USED IN WORK ZONES
 End treatments used on CTB's in work zones shall meet the appropriate crashworthy standards as defined in the Manual for Assessing Safety Hardware (MASH). Refer to the CWZTCD List for approved end treatments and manufacturers.

BARRIER REFLECTORS FOR CONCRETE TRAFFIC BARRIER AND ATTENUATORS

WARNING LIGHTS

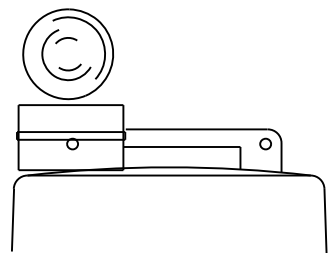
- Warning lights shall meet the requirements of the TMUTCD.
- Warning lights shall NOT be installed on barricades.
- Type A-Low Intensity Flashing Warning Lights are commonly used with drums. They are intended to warn of or mark a potentially hazardous area. Their use shall be as indicated on this sheet and/or other sheets of the plans by the designation "FL". The Type A Warning Lights shall not be used with signs manufactured with Type B_{FL} or C_{FL} Sheeting meeting the requirements of Departmental Material Specification DMS-8300.
- Type-C and Type D 360 degree Steady Burn Lights are intended to be used in a series for delineation to supplement other traffic control devices. Their use shall be as indicated on this sheet and/or other sheets of the plans by the designation "SB".
- The Engineer/Inspector or the plans shall specify the location and type of warning lights to be installed on the traffic control devices.
- When required by the Engineer, the Contractor shall furnish a copy of the warning lights certification. The warning light manufacturer will certify the warning lights meet the requirements of the latest ITE Purchase Specifications for Flashing and Steady-Burn Warning Lights.
- When used to delineate curves, Type-C and Type D Steady Burn Lights should only be placed on the outside of the curve, not the inside.
- The location of warning lights and warning reflectors on drums shall be as shown elsewhere in the plans.

WARNING LIGHTS MOUNTED ON PLASTIC DRUMS

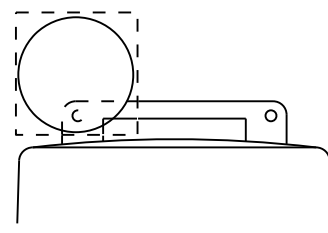
- Type A flashing warning lights are intended to warn drivers that they are approaching or are in a potentially hazardous area.
- Type A random flashing warning lights are not intended for delineation and shall not be used in a series.
- A series of sequential flashing warning lights placed on channelizing devices to form a merging taper may be used for delineation. If used, the successive flashing of the sequential warning lights should occur from the beginning of the taper to the end of the merging taper in order to identify the desired vehicle path. The rate of flashing for each light shall be 65 flashes per minute, plus or minus 10 flashes.
- Type C and D steady-burn warning lights are intended to be used in a series to delineate the edge of the travel lane on detours, on lane changes, on lane closures, and on other similar conditions.
- Type A, Type C and Type D warning lights shall be installed at locations as detailed on other sheets in the plans.
- Warning lights shall not be installed on a drum that has a sign, chevron or vertical panel.
- The maximum spacing for warning lights on drums should be identical to the channelizing device spacing.

WARNING REFLECTORS MOUNTED ON PLASTIC DRUMS AS A SUBSTITUTE FOR TYPE C (STEADY BURN) WARNING LIGHTS

- A warning reflector or approved substitute may be mounted on a plastic drum as a substitute for a Type C, steady burn warning light at the discretion of the Contractor unless otherwise noted in the plans.
- The warning reflector shall be yellow in color and shall be manufactured using a sign substrate approved for use with plastic drums listed on the CWZTCD.
- The warning reflector shall have a minimum retroreflective surface area (one-side) of 30 square inches.
- Round reflectors shall be fully reflectorized, including the area where attached to the drum.
- Square substrates must have a minimum of 30 square inches of reflectorized sheeting. They do not have to be reflectorized where it attaches to the drum.
- The side of the warning reflector facing approaching traffic shall have sheeting meeting the color and retroreflectivity requirements for DMS 8300-Type B or Type C.
- When used near two-way traffic, both sides of the warning reflector shall be reflectorized.
- The warning reflector should be mounted on the side of the handle nearest approaching traffic.
- The maximum spacing for warning reflectors should be identical to the channelizing device spacing requirements.



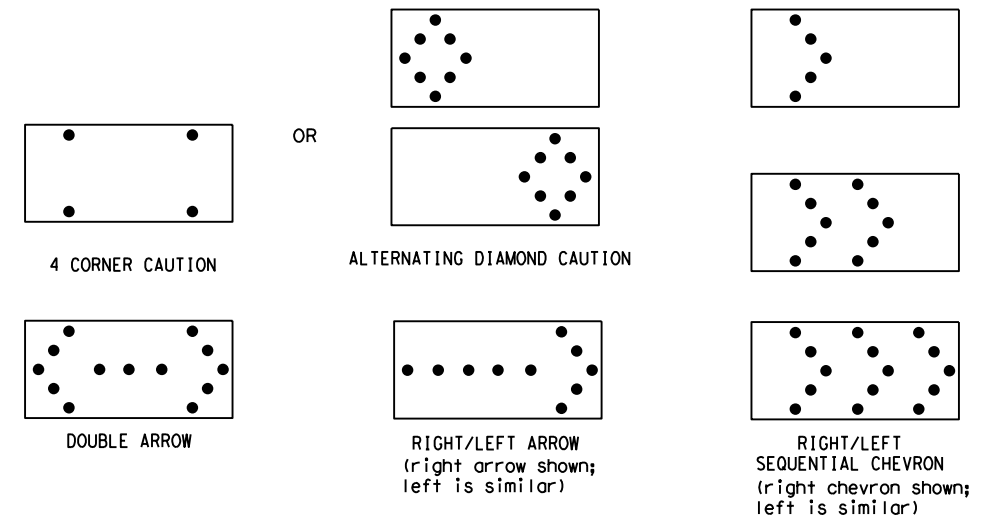
Type C Warning Light or approved substitute mounted on a drum adjacent to the travel way.



Warning reflector may be round or square. Must have a yellow reflective surface area of at least 30 square inches

Arrow Boards may be located behind channelizing devices in place for a shoulder taper or merging taper, otherwise they shall be delineated with four (4) channelizing devices placed perpendicular to traffic on the upstream side of traffic.

- The Flashing Arrow Board should be used for all lane closures on multi-lane roadways, or slow moving maintenance or construction activities on the travel lanes.
- Flashing Arrow Boards should not be used on two-lane, two-way roadways, detours, diversions or work on shoulders unless the "CAUTION" display (see detail below) is used.
- The Engineer/Inspector shall choose all appropriate signs, barricades and/or other traffic control devices that should be used in conjunction with the Flashing Arrow Board.
- The Flashing Arrow Board should be able to display the following symbols:



- The "CAUTION" display consists of four corner lamps flashing simultaneously, or the Alternating Diamond Caution mode as shown.
- The straight line caution display is NOT ALLOWED.
- The Flashing Arrow Board shall be capable of minimum 50 percent dimming from rated lamp voltage. The flashing rate of the lamps shall not be less than 25 nor more than 40 flashes per minute.
- Minimum lamp "on time" shall be approximately 50 percent for the flashing arrow and equal intervals of 25 percent for each sequential phase of the flashing chevron.
- The sequential arrow display is NOT ALLOWED.
- The flashing arrow display is the TxDOT standard; however, the sequential chevron display may be used during daylight operations.
- The Flashing Arrow Board shall be mounted on a vehicle, trailer or other suitable support.
- A Flashing Arrow Board SHALL NOT BE USED to laterally shift traffic.
- A full matrix PCMS may be used to simulate a Flashing Arrow Board provided it meets visibility, flash rate and dimming requirements on this sheet for the same size arrow.
- Minimum mounting height of trailer mounted Arrow Boards should be 7 feet from roadway to bottom of panel.

REQUIREMENTS			
TYPE	MINIMUM SIZE	MINIMUM NUMBER OF PANEL LAMPS	MINIMUM VISIBILITY DISTANCE
B	30 x 60	13	3/4 mile
C	48 x 96	15	1 mile

ATTENTION
 Flashing Arrow Boards shall be equipped with automatic dimming devices.

WHEN NOT IN USE, REMOVE THE ARROW BOARD FROM THE RIGHT-OF-WAY OR PLACE THE ARROW BOARD BEHIND CONCRETE TRAFFIC BARRIER OR GUARDRAIL.

FLASHING ARROW BOARDS

SHEET 7 OF 12

TRUCK-MOUNTED ATTENUATORS

- Truck-mounted attenuators (TMA) used on TxDOT facilities must meet the requirements outlined in the Manual for Assessing Safety Hardware (MASH).
- Refer to the CWZTCD for the requirements of Level 2 or Level 3 TMAs.
- Refer to the CWZTCD for a list of approved TMAs.
- TMAs are required on freeways unless otherwise noted in the plans.
- A TMA should be used anytime that it can be positioned 30 to 100 feet in advance of the area of crew exposure without adversely affecting the work performance.
- The only reason a TMA should not be required is when a work area is spread down the roadway and the work crew is an extended distance from the TMA.

Texas Department of Transportation
 Traffic Safety Division Standard

BARRICADE AND CONSTRUCTION ARROW PANEL, REFLECTORS, WARNING LIGHTS & ATTENUATOR

BC (7) -21

FILE:	bc-21.dgn	DN:	TxDOT	CR:	TxDOT	OW:	TxDOT	CK:	TxDOT
© TxDOT	November 2002	CONT	SECT	JOB	HIGHWAY				
REVISIONS		6454	19	001	US 290, ETC.				
9-07	8-14	DIST	COUNTY	SHEET NO.					
7-13	5-21	AUS	TRAVIS, ETC.	39					

DATE:
FILE:

DISCLAIMER: The use of this standard is governed by the "Texas Engineering Practice Act". No warranty of any kind is made by TxDOT for any purpose whatsoever. TxDOT assumes no responsibility for the conversion of this standard to other formats or for incorrect results or damages resulting from its use.

DATE: FILE:

GENERAL NOTES

- For long term stationary work zones on freeways, drums shall be used as the primary channelizing device.
- For intermediate term stationary work zones on freeways, drums should be used as the primary channelizing device but may be replaced in tangent sections by vertical panels, or 42" two-piece cones. In tangent sections, one-piece cones may be used with the approval of the Engineer but only if personnel are present on the project at all times to maintain the cones in proper position and location.
- For short term stationary work zones on freeways, drums are the preferred channelizing device but may be replaced in tapers, transitions and tangent sections by vertical panels, two-piece cones or one-piece cones as approved by the Engineer.
- Drums and all related items shall comply with the requirements of the current version of the "Texas Manual on Uniform Traffic Control Devices" (TMUTCD) and the "Compliant Work Zone Traffic Control Devices List" (CWZTCD).
- Drums, bases, and related materials shall exhibit good workmanship and shall be free from objectionable marks or defects that would adversely affect their appearance or serviceability.
- The Contractor shall have a maximum of 24 hours to replace any plastic drums identified for replacement by the Engineer/Inspector. The replacement device must be an approved device.

GENERAL DESIGN REQUIREMENTS

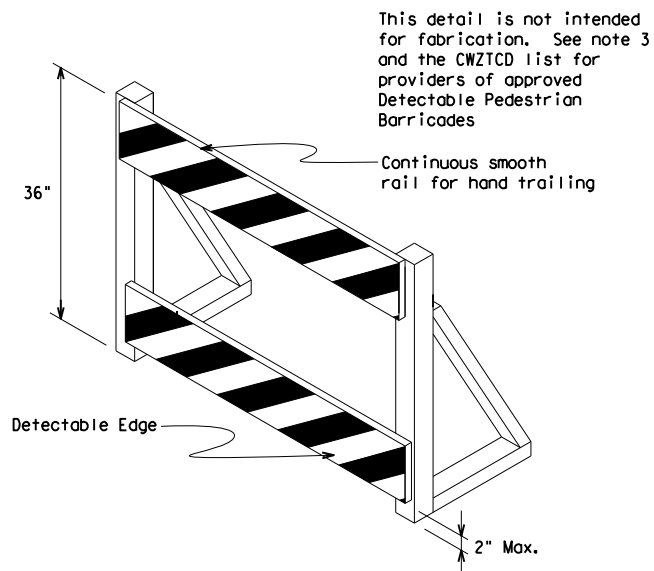
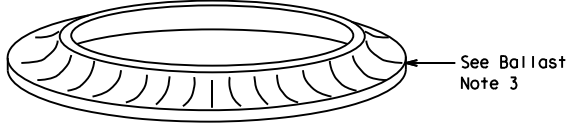
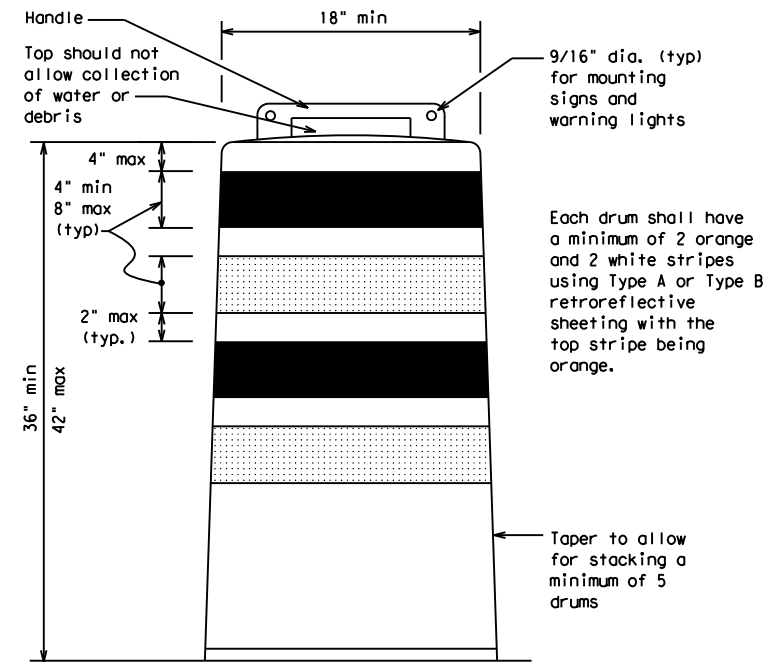
- Pre-qualified plastic drums shall meet the following requirements:
- Plastic drums shall be a two-piece design; the "body" of the drum shall be the top portion and the "base" shall be the bottom.
 - The body and base shall lock together in such a manner that the body separates from the base when impacted by a vehicle traveling at a speed of 20 MPH or greater but prevents accidental separation due to normal handling and/or air turbulence created by passing vehicles.
 - Plastic drums shall be constructed of lightweight flexible, and deformable materials. The Contractor shall NOT use metal drums or single piece plastic drums as channelization devices or sign supports.
 - Drums shall present a profile that is a minimum of 18 inches in width at the 36 inch height when viewed from any direction. The height of drum unit (body installed on base) shall be a minimum of 36 inches and a maximum of 42 inches.
 - The top of the drum shall have a built-in handle for easy pickup and shall be designed to drain water and not collect debris. The handle shall have a minimum of two widely spaced 9/16 inch diameter holes to allow attachment of a warning light, warning reflector unit or approved compliant sign.
 - The exterior of the drum body shall have a minimum of four alternating orange and white retroreflective circumferential stripes not less than 4 inches nor greater than 8 inches in width. Any non-reflectorized space between any two adjacent stripes shall not exceed 2 inches in width.
 - Bases shall have a maximum width of 36 inches, a maximum height of 4 inches, and a minimum of two footholds of sufficient size to allow base to be held down while separating the drum body from the base.
 - Plastic drums shall be constructed of ultra-violet stabilized, orange, high-density polyethylene (HDPE) or other approved material.
 - Drum body shall have a maximum unballasted weight of 11 lbs.
 - Drum and base shall be marked with manufacturer's name and model number.

RETROREFLECTIVE SHEETING

- The stripes used on drums shall be constructed of sheeting meeting the color and retroreflectivity requirements of Departmental Materials Specification DMS-8300, "Sign Face Materials." Type A or Type B reflective sheeting shall be supplied unless otherwise specified in the plans.
- The sheeting shall be suitable for use on and shall adhere to the drum surface such that, upon vehicular impact, the sheeting shall remain adhered in-place and exhibit no delaminating, cracking, or loss of retroreflectivity other than that loss due to abrasion of the sheeting surface.

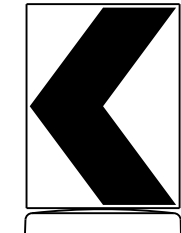
BALLAST

- Unballasted bases shall be large enough to hold up to 50 lbs. of sand. This base, when filled with the ballast material, should weigh between 35 lbs (minimum) and 50 lbs (maximum). The ballast may be sand in one to three sandbags separate from the base, sand in a sand-filled plastic base, or other ballasting devices as approved by the Engineer. Stacking of sandbags will be allowed, however height of sandbags above pavement surface may not exceed 12 inches.
- Bases with built-in ballast shall weigh between 40 lbs. and 50 lbs. Built-in ballast can be constructed of an integral crumb rubber base or a solid rubber base.
- Recycled truck tire sidewalls may be used for ballast on drums approved for this type of ballast on the CWZTCD list.
- The ballast shall not be heavy objects, water, or any material that would become hazardous to motorists, pedestrians, or workers when the drum is struck by a vehicle.
- When used in regions susceptible to freezing, drums shall have drainage holes in the bottoms so that water will not collect and freeze becoming a hazard when struck by a vehicle.
- Ballast shall not be placed on top of drums.
- Adhesives may be used to secure base of drums to pavement.

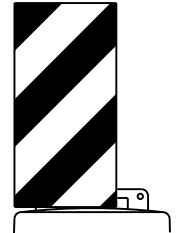


DETECTABLE PEDESTRIAN BARRICADES

- When existing pedestrian facilities are disrupted, closed, or relocated in a TTC zone, the temporary facilities shall be detectable and include accessibility features consistent with the features present in the existing pedestrian facility. Refer to WZ(BTS-2) for Pedestrian Control requirements for Sidewalk Diversions, Sidewalk Detours and Crosswalk Closures.
- Where pedestrians with visual disabilities normally use the closed sidewalk, a Detectable Pedestrian Barricade shall be placed across the full width of the closed sidewalk instead of a Type 3 Barricade.
- Detectable pedestrian barricades similar to the one pictured above, longitudinal channelizing devices, some concrete barriers, and wood or chain link fencing with a continuous detectable edging can satisfactorily delineate a pedestrian path.
- Tape, rope, or plastic chain strung between devices are not detectable, do not comply with the design standards in the "Americans with Disabilities Act Accessibility Guidelines (ADAAG)" and should not be used as a control for pedestrian movements.
- Warning lights shall not be attached to detectable pedestrian barricades.
- Detectable pedestrian barricades should use 8" nominal barricade rails as shown on BC(10) provided that the top rail provides a smooth continuous rail suitable for hand trailing with no splinters, burrs, or sharp edges.



18" x 24" Sign
(Maximum Sign Dimension)
Chevron CW1-8, Opposing Traffic Lane Divider, Driveway sign D70a, Keep Right R4 series or other signs as approved by Engineer



12" x 24" Vertical Panel
mount with diagonals sloping down towards travel way

Plywood, Aluminum or Metal sign substrates shall NOT be used on plastic drums

SIGNS, CHEVRONS, AND VERTICAL PANELS MOUNTED ON PLASTIC DRUMS

- Signs used on plastic drums shall be manufactured using substrates listed on the CWZTCD.
- Chevrons and other work zone signs with an orange background shall be manufactured with Type B_{FL} or Type C_{FL} Orange sheeting meeting the color and retroreflectivity requirements of DMS-8300, "Sign Face Material," unless otherwise specified in the plans.
- Vertical Panels shall be manufactured with orange and white sheeting meeting the requirements of DMS-8300 Type A or Type B. Diagonal stripes on Vertical Panels shall slope down toward the intended traveled lane.
- Other sign messages (text or symbolic) may be used as approved by the Engineer. Sign dimensions shall not exceed 18 inches in width or 24 inches in height, except for the R9 series signs discussed in note 8 below.
- Signs shall be installed using a 1/2 inch bolt (nominal) and nut, two washers, and one locking washer for each connection.
- Mounting bolts and nuts shall be fully engaged and adequately torqued. Bolts should not extend more than 1/2 inch beyond nuts.
- Chevrons may be placed on drums on the outside of curves, on merging tapers or on shifting tapers. When used in these locations, they may be placed on every drum or spaced not more than on every third drum. A minimum of three (3) should be used at each location called for in the plans.
- R9-9, R9-10, R9-11 and R9-11a Sidewalk Closed signs which are 24 inches wide may be mounted on plastic drums, with approval of the Engineer.

SHEET 8 OF 12

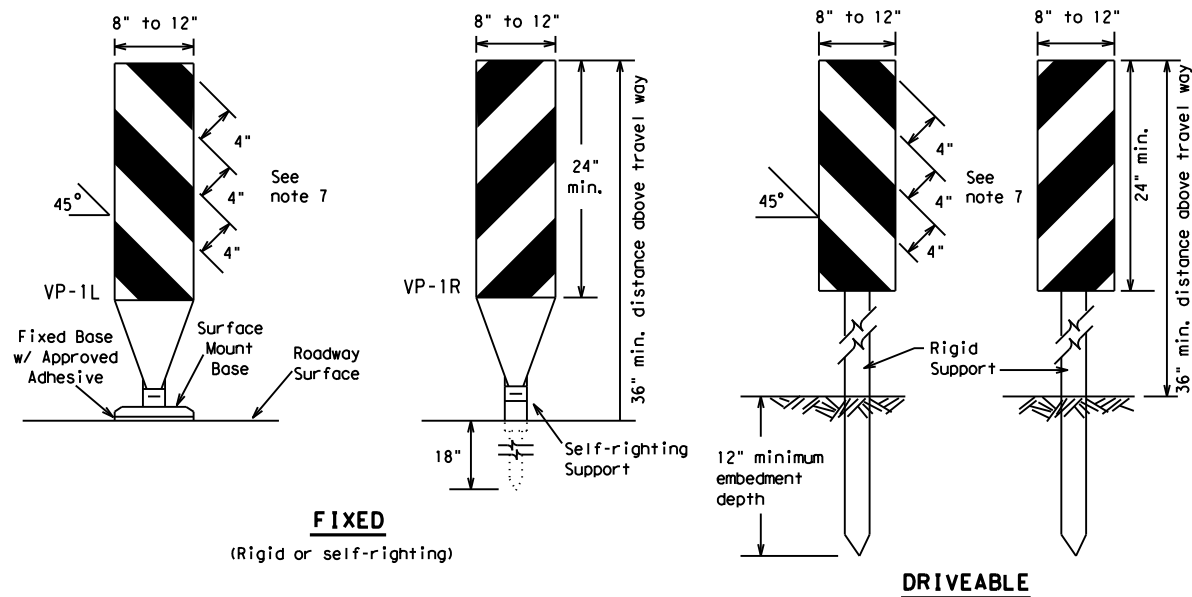


BARRICADE AND CONSTRUCTION CHANNELIZING DEVICES

BC (8) - 21

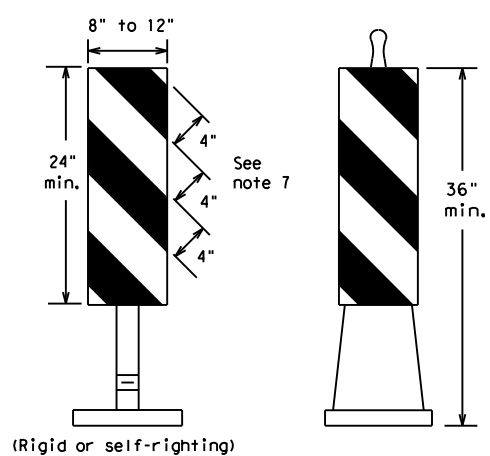
FILE:	bc-21.dgn	DN:	TxDOT	CR:	TxDOT	DW:	TxDOT	CK:	TxDOT
© TxDOT	November 2002	CONT	SECT	JOB	HIGHWAY				
REVISIONS		6454	19	001	US 290, ETC.				
4-03	8-14			DIST		COUNTY		SHEET NO.	
9-07	5-21			AUS		TRAVIS, ETC.		40	
7-13									

DISCLAIMER: The use of this standard is governed by the "Texas Engineering Practice Act". No warranty of any kind is made by TxDOT for any purpose whatsoever. TxDOT assumes no responsibility for the conversion of this standard to other formats or for incorrect results or damages resulting from its use.



FIXED
(Rigid or self-righting)

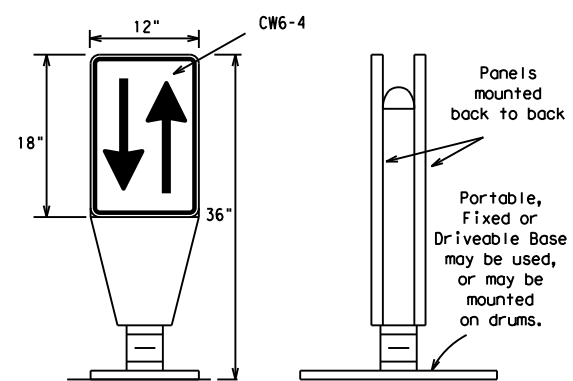
DRIVEABLE



PORTABLE

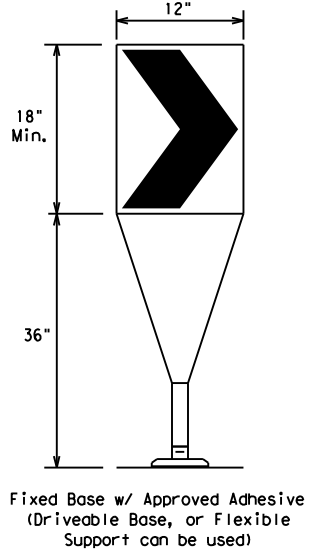
VERTICAL PANELS (VPs)

- Vertical Panels (VP's) are normally used to channelize traffic or divide opposing lanes of traffic.
- VP's may be used in daytime or nighttime situations. They may be used at the edge of shoulder drop-offs and other areas such as lane transitions where positive daytime and nighttime delineation is required. The Engineer/Inspector shall refer to the Roadway Design Manual for additional requirements on the use VP's for drop-offs.
- VP's should be mounted back to back if used at the edge of cuts adjacent to two-way two lane roadways. Stripes are to be reflective orange and reflective white and should always slope downward toward the travel lane.
- VP's used on expressways and freeways or other high speed roadways, may have more than 270 square inches of retroreflective area facing traffic.
- Self-righting supports are available with portable base. See "Compliant Work Zone Traffic Control Devices List" (CWZTCD).
- Sheeting for the VP's shall be retroreflective Type A or Type B conforming to Departmental Material Specification DMS-8300, unless noted otherwise.
- Where the height of reflective material on the vertical panel is 36 inches or greater, a panel stripe of 6 inches shall be used.



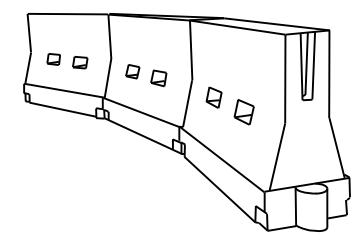
OPPOSING TRAFFIC LANE DIVIDERS (OTLD)

- Opposing Traffic Lane Dividers (OTLD) are delineation devices designed to convert a normal one-way roadway section to two-way operation. OTLD's are used on temporary centerlines. The upward and downward arrows on the sign's face indicate the direction of traffic on either side of the divider. The base is secured to the pavement with an adhesive or rubber weight to minimize movement caused by a vehicle impact or wind gust.
- The OTLD may be used in combination with 42" cones or VPs.
- Spacing between the OTLD shall not exceed 500 feet. 42" cones or VPs placed between the OTLD's should not exceed 100 foot spacing.
- The OTLD shall be orange with a black non-reflective legend. Sheeting for the OTLD shall be retroreflective Type B_{FL} or Type C_{FL} conforming to Departmental Material Specification DMS-8300, unless noted otherwise. The legend shall meet the requirements of DMS-8300.



- The chevron shall be a vertical rectangle with a minimum size of 12 by 18 inches.
- Chevrons are intended to give notice of a sharp change of alignment with the direction of travel and provide additional emphasis and guidance for vehicle operators with regard to changes in horizontal alignment of the roadway.
- Chevrons, when used, shall be erected on the outside of a sharp curve or turn, or on the far side of an intersection. They shall be in line with and at right angles to approaching traffic. Spacing should be such that the motorist always has three in view, until the change in alignment eliminates its need.
- To be effective, the chevron should be visible for at least 500 feet.
- Chevrons shall be orange with a black nonreflective legend. Sheeting for the chevron shall be retroreflective Type B_{FL} or Type C_{FL} conforming to Departmental Material Specification DMS-8300, unless noted otherwise. The legend shall meet the requirements of DMS-8300.
- For Long Term Stationary use on tapers or transitions on freeways and divided highways, self-righting chevrons may be used to supplement plastic drums but not to replace plastic drums.

CHEVRONS



LONGITUDINAL CHANNELIZING DEVICES (LCD)

- LCDs are crashworthy, lightweight, deformable devices that are highly visible, have good target value and can be connected together. They are not designed to contain or redirect a vehicle on impact.
- LCDs may be used instead of a line of cones or drums.
- LCDs shall be placed in accordance to application and installation requirements specific to the device, and used only when shown on the CWZTCD list.
- LCDs should not be used to provide positive protection for obstacles, pedestrians or workers.
- LCDs shall be supplemented with retroreflective delineation as required for temporary barriers on BC(7) when placed roughly parallel to the travel lanes.
- LCDs used as barricades placed perpendicular to traffic should have at least one row of reflective sheeting meeting the requirements for barricade rails as shown on BC(10). Place reflective sheeting near the top of the LCD along the full length of the device.

WATER BALLASTED SYSTEMS USED AS BARRIERS

- Water ballasted systems used as barriers shall not be used solely to channelize road users, but also to protect the work space per the appropriate Manual for Assessing Safety Hardware (MASH) crashworthiness requirements based on roadway speed and barrier application.
- Water ballasted systems used to channelize vehicular traffic shall be supplemented with retroreflective delineation or channelizing devices to improve daytime/nighttime visibility. They may also be supplemented with pavement markings.
- Water ballasted systems used as barriers shall be placed in accordance to application and installation requirements specific to the device, and used only when shown on the CWZTCD list.
- Water ballasted systems used as barriers should not be used for a merging taper except in low speed (less than 45 MPH) urban areas. When used on a taper in a low speed urban area, the taper shall be delineated and the taper length should be designed to optimize road user operations considering the available geometric conditions.
- When water ballasted systems used as barriers have blunt ends exposed to traffic, they should be attenuated as per manufacturer recommendations or flared to a point outside the clear zone.

If used to channelize pedestrians, longitudinal channelizing devices or water ballasted systems must have a continuous detectable bottom for users of long canes and the top of the unit shall not be less than 32 inches in height.

HOLLOW OR WATER BALLASTED SYSTEMS USED AS LONGITUDINAL CHANNELIZING DEVICES OR BARRIERS

GENERAL NOTES

- Work Zone channelizing devices illustrated on this sheet may be installed in close proximity to traffic and are suitable for use on high or low speed roadways. The Engineer/Inspector shall ensure that spacing and placement is uniform and in accordance with the "Texas Manual on Uniform Traffic Control Devices" (TMUTCD).
- Channelizing devices shown on this sheet may have a driveable, fixed or portable base. The requirement for self-righting channelizing devices must be specified in the General Notes or other plan sheets.
- Channelizing devices on self-righting supports should be used in work zone areas where channelizing devices are frequently impacted by errant vehicles or vehicle related wind gusts making alignment of the channelizing devices difficult to maintain. Locations of these devices shall be detailed elsewhere in the plans. These devices shall conform to the TMUTCD and the "Compliant Work Zone Traffic Control Devices List" (CWZTCD).
- The Contractor shall maintain devices in a clean condition and replace damaged, nonreflective, faded, or broken devices and bases as required by the Engineer/Inspector. The Contractor shall be required to maintain proper device spacing and alignment.
- Portable bases shall be fabricated from virgin and/or recycled rubber. The portable bases shall weigh a minimum of 30 lbs.
- Pavement surfaces shall be prepared in a manner that ensures proper bonding between the adhesives, the fixed mount bases and the pavement surface. Adhesives shall be prepared and applied according to the manufacturer's recommendations.
- The installation and removal of channelizing devices shall not cause detrimental effects to the final pavement surfaces, including pavement surface discoloration or surface integrity. Driveable bases shall not be permitted on final pavement surfaces. The Engineer/Inspector shall approve all application and removal procedures of fixed bases.

Posted Speed	Formula	Minimum Desirable Taper Lengths * *			Suggested Maximum Spacing of Channelizing Devices	
		10' Offset	11' Offset	12' Offset	On a Taper	On a Tangent
30	L = WS ² / 60	150'	165'	180'	30'	60'
35		205'	225'	245'	35'	70'
40		265'	295'	320'	40'	80'
45	L = WS	450'	495'	540'	45'	90'
50		500'	550'	600'	50'	100'
55		550'	605'	660'	55'	110'
60		600'	660'	720'	60'	120'
65		650'	715'	780'	65'	130'
70		700'	770'	840'	70'	140'
75		750'	825'	900'	75'	150'
80		800'	880'	960'	80'	160'

* * * Taper lengths have been rounded off.
L=Length of Taper (FT.) W=Width of Offset (FT.)
S=Posted Speed (MPH)

SUGGESTED MAXIMUM SPACING OF CHANNELIZING DEVICES AND MINIMUM DESIRABLE TAPER LENGTHS

SHEET 9 OF 12



BARRICADE AND CONSTRUCTION CHANNELIZING DEVICES

BC (9) - 21

FILE: bc-21.dgn	DN: TxDOT	CK: TxDOT	DW: TxDOT	CR: TxDOT
© TxDOT November 2002	CONT	SECT	JOB	HIGHWAY
REVISIONS	6454	19	001	US 290, ETC.
9-07 8-14	DIST	COUNTY	SHEET NO.	
7-13 5-21	AUS	TRAVIS, ETC.	41	

DATE: FILE:

DISCLAIMER: The use of this standard is governed by the "Texas Engineering Practice Act". No warranty of any kind is made by TxDOT for any purpose whatsoever. TxDOT assumes no responsibility for the conversion of this standard to other formats or for incorrect results or damages resulting from its use.

TYPE 3 BARRICADES

1. Refer to the Compliant Work Zone Traffic Control Devices List (CWZTCD) for details of the Type 3 Barricades and a list of all materials used in the construction of Type 3 Barricades.
2. Type 3 Barricades shall be used at each end of construction projects closed to all traffic.
3. Barricades extending across a roadway should have stripes that slope downward in the direction toward which traffic must turn in detouring. When both right and left turns are provided, the chevron striping may slope downward in both directions from the center of the barricade. Where no turns are provided at a closed road, striping should slope downward in both directions toward the center of roadway.
4. Striping of rails, for the right side of the roadway, should slope downward to the left. For the left side of the roadway, striping should slope downward to the right.
5. Identification markings may be shown only on the back of the barricade rails. The maximum height of letters and/or company logos used for identification shall be 1".
6. Barricades shall not be placed parallel to traffic unless an adequate clear zone is provided.
7. Warning lights shall NOT be installed on barricades.
8. Where barricades require the use of weights to keep from turning over, the use of sandbags with dry, cohesionless sand is recommended. The sandbags will be tied shut to keep the sand from spilling and to maintain a constant weight. Sand bags shall not be stacked in a manner that covers any portion of a barricade rails reflective sheeting. Rock, concrete, iron, steel or other solid objects will NOT be permitted. Sandbags should weigh a minimum of 35 lbs and a maximum of 50 lbs. Sandbags shall be made of a durable material that tears upon vehicular impact. Rubber (such as tire inner tubes) shall not be used for sandbags. Sandbags shall only be placed along or upon the base supports of the device and shall not be suspended above ground level or hung with rope, wire, chains or other fasteners.
9. Sheeting for barricades shall be retroreflective Type A or Type B conforming to Departmental Material Specification DMS-8300 unless otherwise noted.

Barricades shall NOT be used as a sign support.



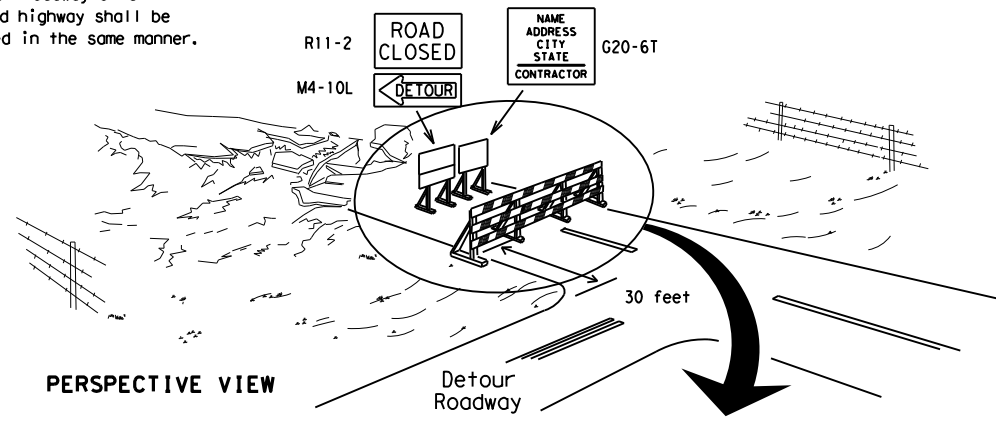
TYPICAL STRIPING DETAIL FOR BARRICADE RAIL



Stiffener may be inside or outside of support, but no more than 2 stiffeners shall be allowed on one barricade.

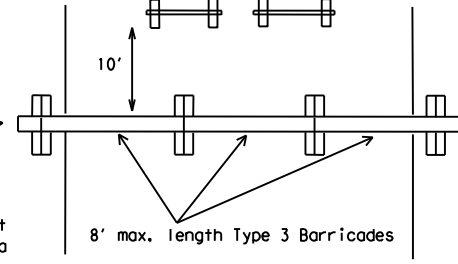
TYPICAL PANEL DETAIL FOR SKID OR POST TYPE BARRICADES

Each roadway of a divided highway shall be barricaded in the same manner.



PERSPECTIVE VIEW

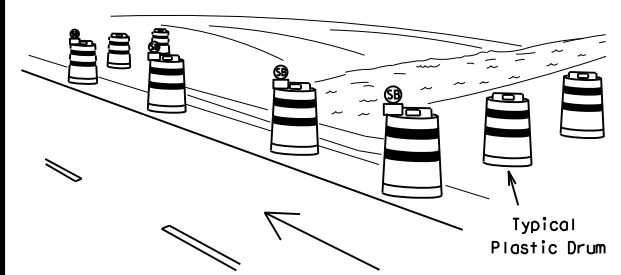
The three rails on Type 3 barricades shall be reflectorized orange and reflective white stripes on one side facing one-way traffic and both sides for two-way traffic. Barricade striping should slant downward in the direction of detour.



PLAN VIEW

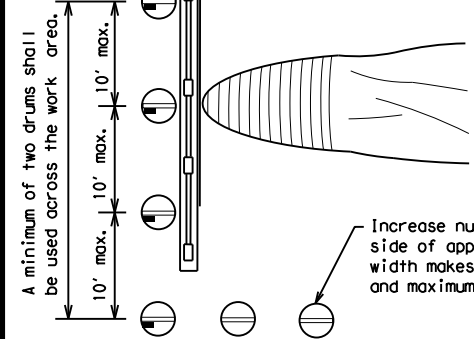
1. Signs should be mounted on independent supports at a 7 foot mounting height in center of roadway. The signs should be a minimum of 10 feet behind Type 3 Barricades.
2. Advance signing shall be as specified elsewhere in the plans.

TYPE 3 BARRICADE (POST AND SKID) TYPICAL APPLICATION



PERSPECTIVE VIEW

These drums are not required on one-way roadway



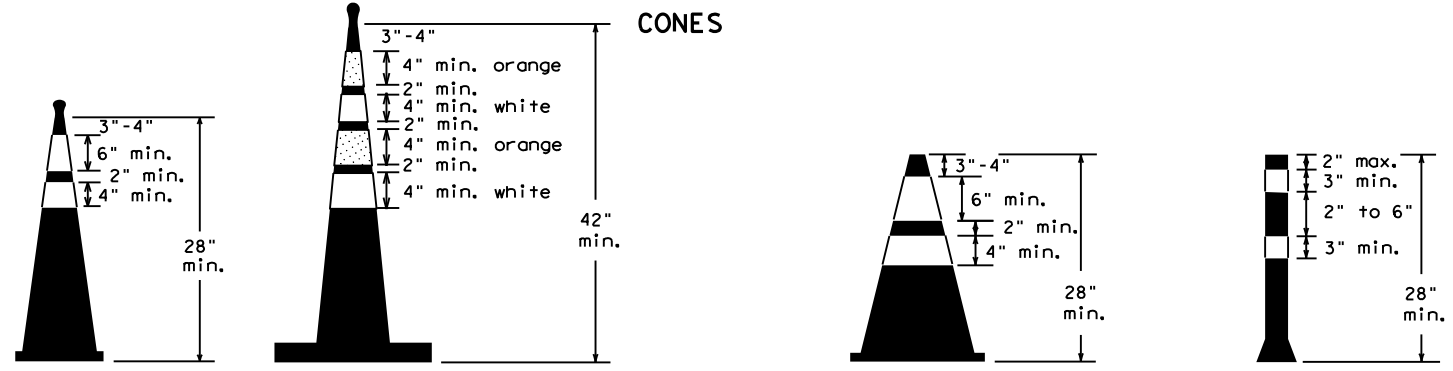
PLAN VIEW

Increase number of plastic drums on the side of approaching traffic if the crown width makes it necessary. (minimum of 2 and maximum of 4 drums)

1. Where positive redirection capability is provided, drums may be omitted.
2. Plastic construction fencing may be used with drums for safety as required in the plans.
3. Vertical Panels on flexible support may be substituted for drums when the shoulder width is less than 4 feet.
4. When the shoulder width is greater than 12 feet, steady-burn lights may be omitted if drums are used.
5. Drums must extend the length of the culvert widening.

LEGEND	
	Plastic drum
	Plastic drum with steady burn light or yellow warning reflector
	Steady burn warning light or yellow warning reflector

CULVERT WIDENING OR OTHER ISOLATED WORK WITHIN THE PROJECT LIMITS



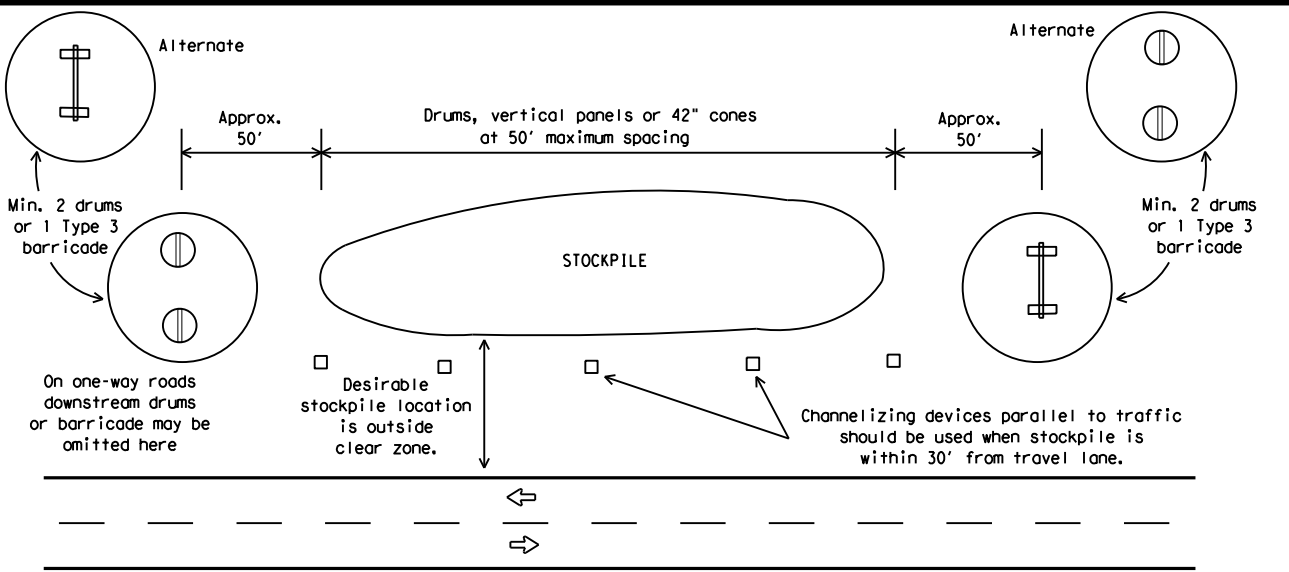
Two-Piece cones

One-Piece cones

Tubular Marker

28" Cones shall have a minimum weight of 9 1/2 lbs.
42" 2-piece cones shall have a minimum weight of 30 lbs. including base.

1. Traffic cones and tubular markers shall be predominantly orange, and meet the height and weight requirements shown above.
2. One-piece cones have the body and base of the cone molded in one consolidated unit. Two-piece cones have a cone shaped body and a separate rubber base, or ballast, that is added to keep the device upright and in place.
3. Two-piece cones may have a handle or loop extending up to 8" above the minimum height shown, in order to aid in retrieving the device.
4. Cones or tubular markers shall have white or white and orange reflective bands as shown above. The reflective bands shall have a smooth, sealed outer surface and meet the requirements of Departmental Material Specification DMS-8300 Type A or Type B.
5. 28" cones and tubular markers are generally suitable for short duration and short-term stationary work as defined on BC(4). These should not be used for intermediate-term or long-term stationary work unless personnel is on-site to maintain them in their proper upright position.
6. 42" two-piece cones, vertical panels or drums are suitable for all work zone durations.
7. Cones or tubular markers used on each project should be of the same size and shape.



TRAFFIC CONTROL FOR MATERIAL STOCKPILES



BARRICADE AND CONSTRUCTION CHANNELIZING DEVICES

BC (10) - 21

FILE: bc-21.dgn	DN: TxDOT	CK: TxDOT	OW: TxDOT	CR: TxDOT
© TxDOT November 2002	CONT	SECT	JOB	HIGHWAY
REVISIONS	6454	19	001	US 290, ETC.
9-07 8-14	DIST	COUNTY	SHEET NO.	
7-13 5-21	AUS	TRAVIS, ETC.	42	

DATE: FILE:

WORK ZONE PAVEMENT MARKINGS

GENERAL

- The Contractor shall be responsible for maintaining work zone and existing pavement markings, in accordance with the standard specifications and special provisions, on all roadways open to traffic within the CSJ limits unless otherwise stated in the plans.
- Color, patterns and dimensions shall be in conformance with the "Texas Manual on Uniform Traffic Control Devices" (TMUTCD).
- Additional supplemental pavement marking details may be found in the plans or specifications.
- Pavement markings shall be installed in accordance with the TMUTCD and as shown on the plans.
- When short term markings are required on the plans, short term markings shall conform with the TMUTCD, the plans and details as shown on the Standard Plan Sheet WZ(STPM).
- When standard pavement markings are not in place and the roadway is opened to traffic, DO NOT PASS signs shall be erected to mark the beginning of the sections where passing is prohibited and PASS WITH CARE signs at the beginning of sections where passing is permitted.
- All work zone pavement markings shall be installed in accordance with Item 662, "Work Zone Pavement Markings."

RAISED PAVEMENT MARKERS

- Raised pavement markers are to be placed according to the patterns on BC(12).
- All raised pavement markers used for work zone markings shall meet the requirements of Item 672, "RAISED PAVEMENT MARKERS" and Departmental Material Specification DMS-4200 or DMS-4300.

PREFABRICATED PAVEMENT MARKINGS

- Removable prefabricated pavement markings shall meet the requirements of DMS-8241.
- Non-removable prefabricated pavement markings (foil back) shall meet the requirements of DMS-8240.

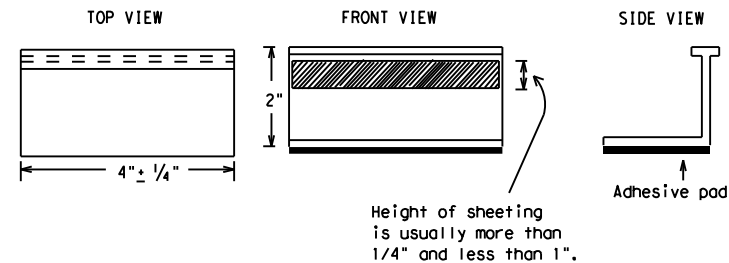
MAINTAINING WORK ZONE PAVEMENT MARKINGS

- The Contractor will be responsible for maintaining work zone pavement markings within the work limits.
- Work zone pavement markings shall be inspected in accordance with the frequency and reporting requirements of work zone traffic control device inspections as required by Form 599.
- The markings should provide a visible reference for a minimum distance of 300 feet during normal daylight hours and 160 feet when illuminated by automobile low-beam headlights at night, unless sight distance is restricted by roadway geometrics.
- Markings failing to meet this criteria within the first 30 days after placement shall be replaced at the expense of the Contractor as per Specification Item 662.

REMOVAL OF PAVEMENT MARKINGS

- Pavement markings that are no longer applicable, could create confusion or direct a motorist toward or into the closed portion of the roadway shall be removed or obliterated before the roadway is opened to traffic.
- The above shall not apply to detours in place for less than three days, where flaggers and/or sufficient channelizing devices are used in lieu of markings to outline the detour route.
- Pavement markings shall be removed to the fullest extent possible, so as not to leave a discernable marking. This shall be by any method approved by TxDOT Specification Item 677 for "Eliminating Existing Pavement Markings and Markers".
- The removal of pavement markings may require resurfacing or seal coating portions of the roadway as described in Item 677.
- Subject to the approval of the Engineer, any method that proves to be successful on a particular type pavement may be used.
- Blast cleaning may be used but will not be required unless specifically shown in the plans.
- Over-painting of the markings SHALL NOT BE permitted.
- Removal of raised pavement markers shall be as directed by the Engineer.
- Removal of existing pavement markings and markers will be paid for directly in accordance with Item 677, "ELIMINATING EXISTING PAVEMENT MARKINGS AND MARKERS," unless otherwise stated in the plans.
- Black-out marking tape may be used to cover conflicting existing markings for periods less than two weeks when approved by the Engineer.

Temporary Flexible-Reflective Roadway Marker Tabs



**STAPLES OR NAILS SHALL NOT BE USED TO SECURE
TEMPORARY FLEXIBLE-REFLECTIVE ROADWAY MARKER
TABS TO THE PAVEMENT SURFACE**

- Temporary flexible-reflective roadway marker tabs used as guidemarks shall meet the requirements of DMS-8242.
- Tabs detailed on this sheet are to be inspected and accepted by the Engineer or designated representative. Sampling and testing is not normally required, however at the option of the Engineer, either "A" or "B" below may be imposed to assure quality before placement on the roadway.
 - Select five (5) or more tabs at random from each lot or shipment and submit to the Construction Division, Materials and Pavement Section to determine specification compliance.
 - Select five (5) tabs and perform the following test. Affix five (5) tabs at 24 inch intervals on an asphaltic pavement in a straight line. Using a medium size passenger vehicle or pickup, run over the markers with the front and rear tires at a speed of 35 to 40 miles per hour, four (4) times in each direction. No more than one (1) out of the five (5) reflective surfaces shall be lost or displaced as a result of this test.
- Small design variances may be noted between tab manufacturers.
- See Standard Sheet WZ(STPM) for tab placement on new pavements. See Standard Sheet TCP(7-1) for tab placement on seal coat work.

RAISED PAVEMENT MARKERS USED AS GUIDEMARKS

- Raised pavement markers used as guidemarks shall be from the approved product list, and meet the requirements of DMS-4200.
- All temporary construction raised pavement markers provided on a project shall be of the same manufacturer.
- Adhesive for guidemarks shall be bituminous material hot applied or butyl rubber pad for all surfaces, or thermoplastic for concrete surfaces.

Guidemarks shall be designated as:
 YELLOW - (two amber reflective surfaces with yellow body).
 WHITE - (one silver reflective surface with white body).

DEPARTMENTAL MATERIAL SPECIFICATIONS	
PAVEMENT MARKERS (REFLECTORIZED)	DMS-4200
TRAFFIC BUTTONS	DMS-4300
EPOXY AND ADHESIVES	DMS-6100
BITUMINOUS ADHESIVE FOR PAVEMENT MARKERS	DMS-6130
PERMANENT PREFABRICATED PAVEMENT MARKINGS	DMS-8240
TEMPORARY REMOVABLE, PREFABRICATED PAVEMENT MARKINGS	DMS-8241
TEMPORARY FLEXIBLE, REFLECTIVE ROADWAY MARKER TABS	DMS-8242

A list of prequalified reflective raised pavement markers, non-reflective traffic buttons, roadway marker tabs and other pavement markings can be found at the Material Producer List web address shown on BC(1).

DISCLAIMER: The use of this standard is governed by the "Texas Engineering Practice Act". No warranty of any kind is made by TxDOT for any purpose whatsoever. TxDOT assumes no responsibility for the conversion of this standard to other formats or for incorrect results or damages resulting from its use.

DATE:
FILE:

SHEET 11 OF 12



BARRICADE AND CONSTRUCTION PAVEMENT MARKINGS

BC(11)-21

FILE: bc-21.dgn	DN: TxDOT	CK: TxDOT	DW: TxDOT	CR: TxDOT
© TxDOT February 1998	CONT	SECT	JOB	HIGHWAY
REVISIONS	6454	19	001	US 290, ETC.
2-98 9-07 5-21	DIST	COUNTY	SHEET NO.	
1-02 7-13	AUS	TRAVIS, ETC.	43	
11-02 8-14				

105

PAVEMENT MARKING PATTERNS

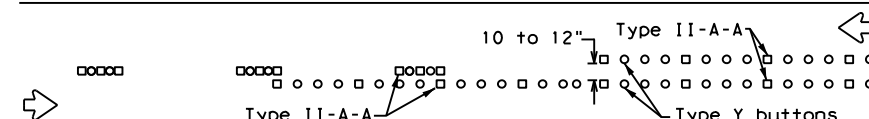


REFLECTORIZED PAVEMENT MARKINGS - PATTERN A

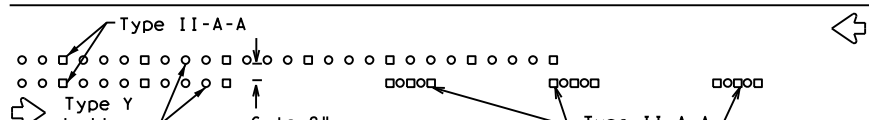


REFLECTORIZED PAVEMENT MARKINGS - PATTERN B

Pattern A is the TxDOT Standard, however Pattern B may be used if approved by the Engineer. Prefabricated markings may be substituted for reflectORIZED pavement markings.



RAISED PAVEMENT MARKERS - PATTERN A



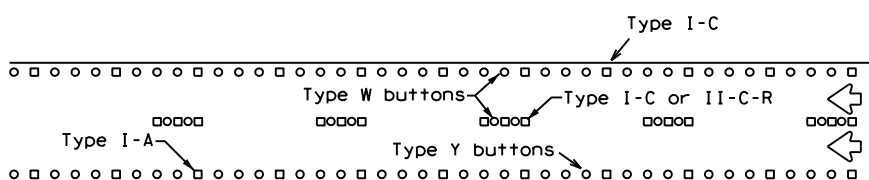
RAISED PAVEMENT MARKERS - PATTERN B

CENTER LINE & NO-PASSING ZONE BARRIER LINES FOR TWO-LANE, TWO-WAY HIGHWAYS



REFLECTORIZED PAVEMENT MARKINGS

Prefabricated markings may be substituted for reflectORIZED pavement markings.



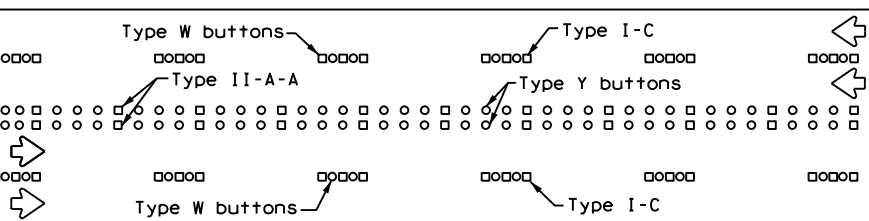
RAISED PAVEMENT MARKERS

EDGE & LANE LINES FOR DIVIDED HIGHWAY



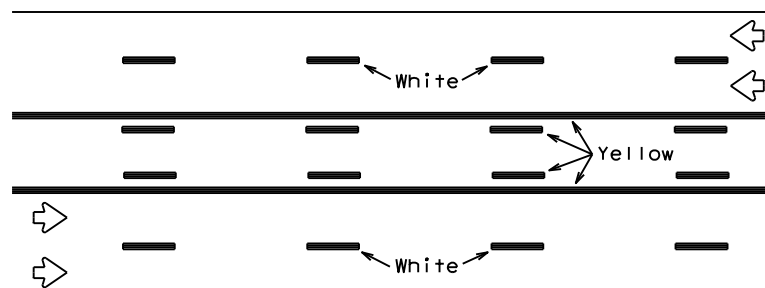
REFLECTORIZED PAVEMENT MARKINGS

Prefabricated markings may be substituted for reflectORIZED pavement markings.



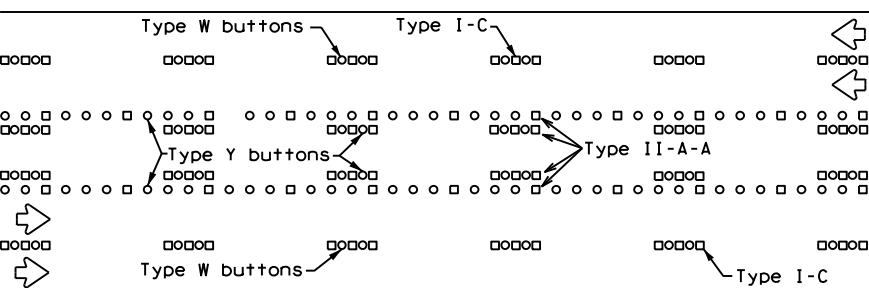
RAISED PAVEMENT MARKERS

LANE & CENTER LINES FOR MULTILANE UNDIVIDED HIGHWAYS



REFLECTORIZED PAVEMENT MARKINGS

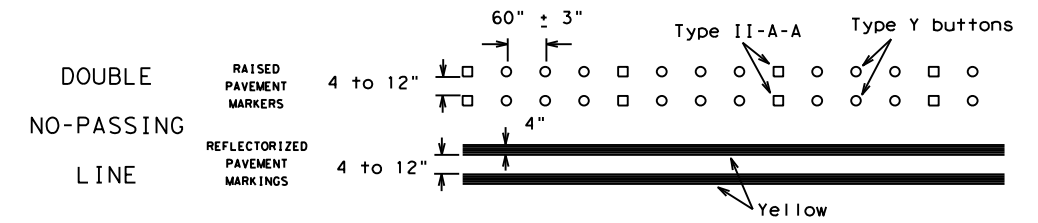
Prefabricated markings may be substituted for reflectORIZED pavement markings.



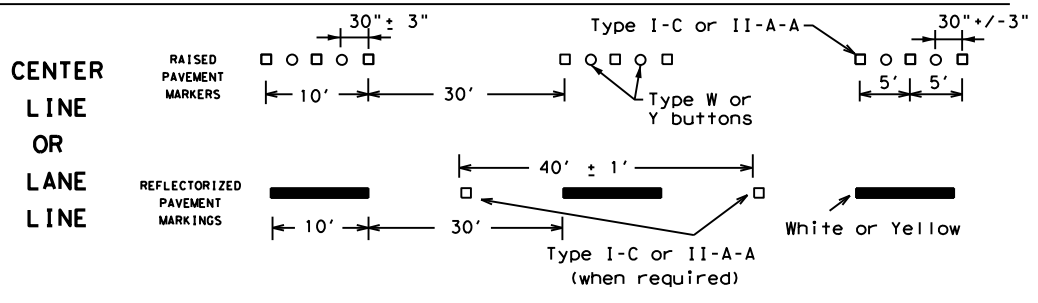
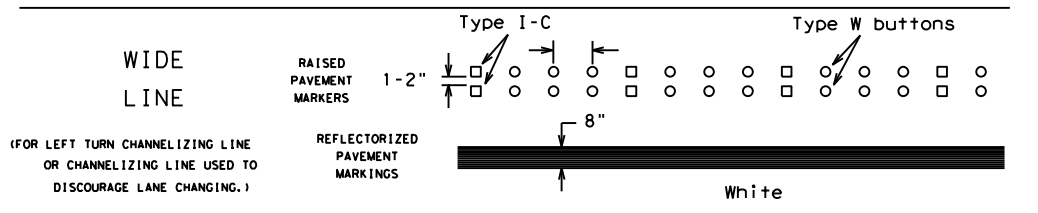
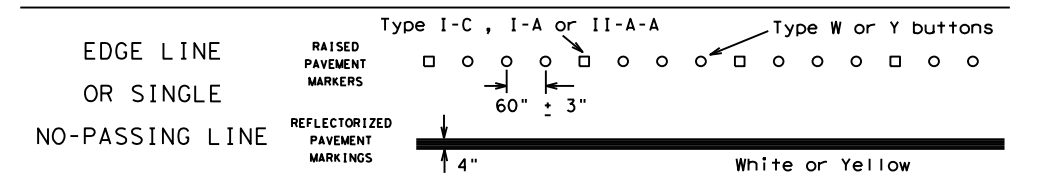
RAISED PAVEMENT MARKERS

TWO-WAY LEFT TURN LANE

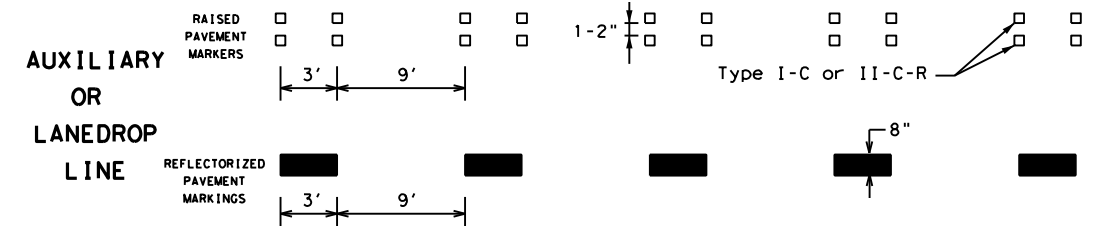
STANDARD WORK ZONE PAVEMENT MARKINGS DETAILS



SOLID LINES

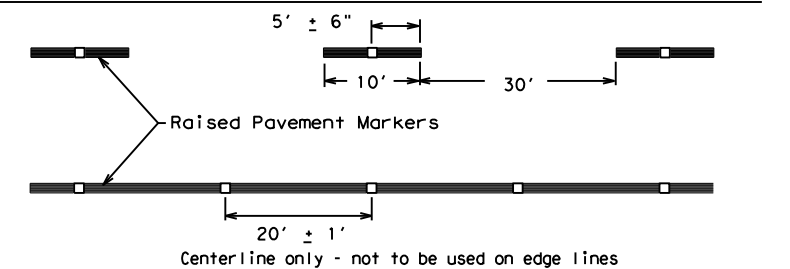


BROKEN LINES



REMOVABLE MARKINGS WITH RAISED PAVEMENT MARKERS

If raised pavement markers are used to supplement REMOVABLE markings, the markers shall be applied to the top of the tape at the approximate mid length of tape used for broken lines or at 20 foot spacing for solid lines. This allows an easier removal of raised pavement markers and tape.



SHEET 12 OF 12



BARRICADE AND CONSTRUCTION PAVEMENT MARKING PATTERNS

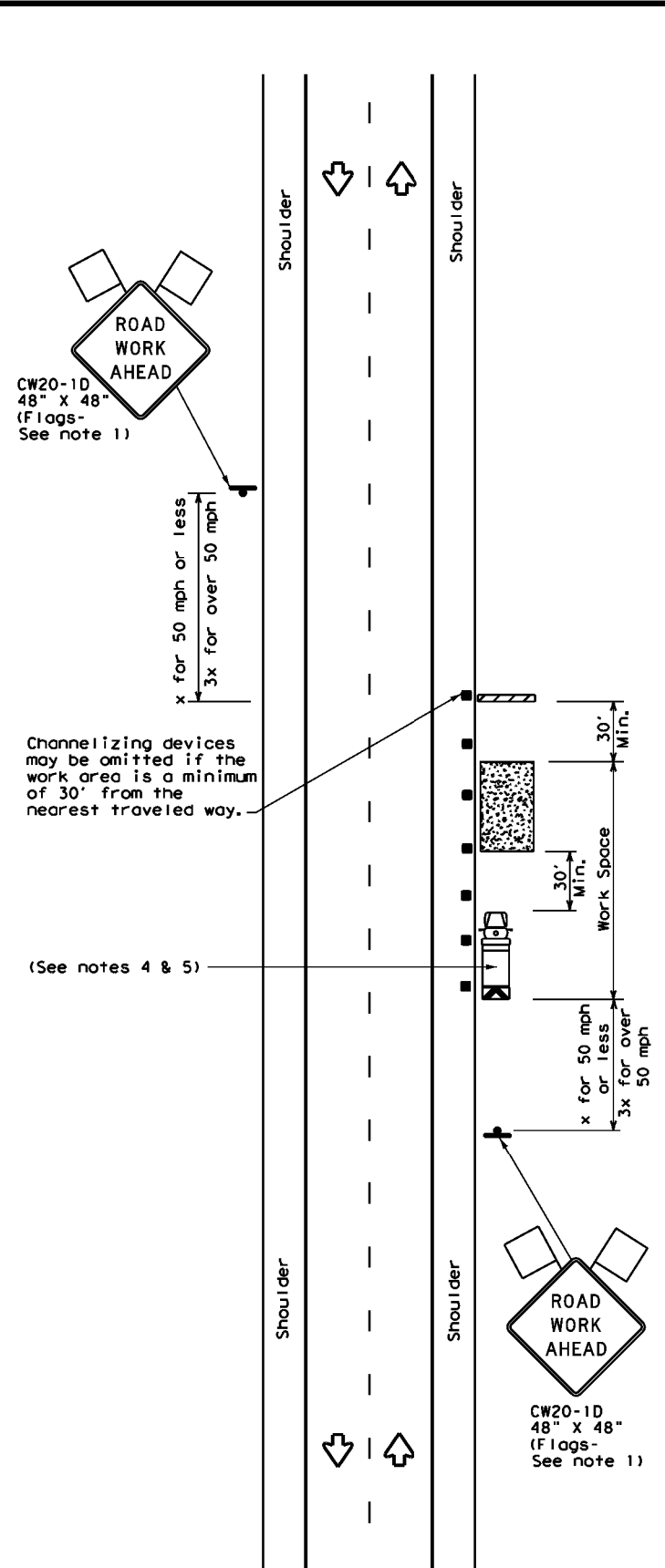
BC(12)-21

FILE: bc-21.dgn	DN: TxDOT	CK: TxDOT	OW: TxDOT	CR: TxDOT
©TxDOT February 1998	CONT	SECT	JOB	HIGHWAY
REVISIONS	6454	19	001	US 290, ETC.
1-97 9-07 5-21	DIST	COUNTY	SHEET NO.	
2-98 7-13	AUS	TRAVIS, ETC.	44	
11-02 8-14				

DISCLAIMER: The use of this standard is governed by the "Texas Engineering Practice Act". No warranty of any kind is made by TxDOT for any purpose whatsoever. TxDOT assumes no responsibility for the conversion of this standard to other formats or for incorrect results or damages resulting from its use.

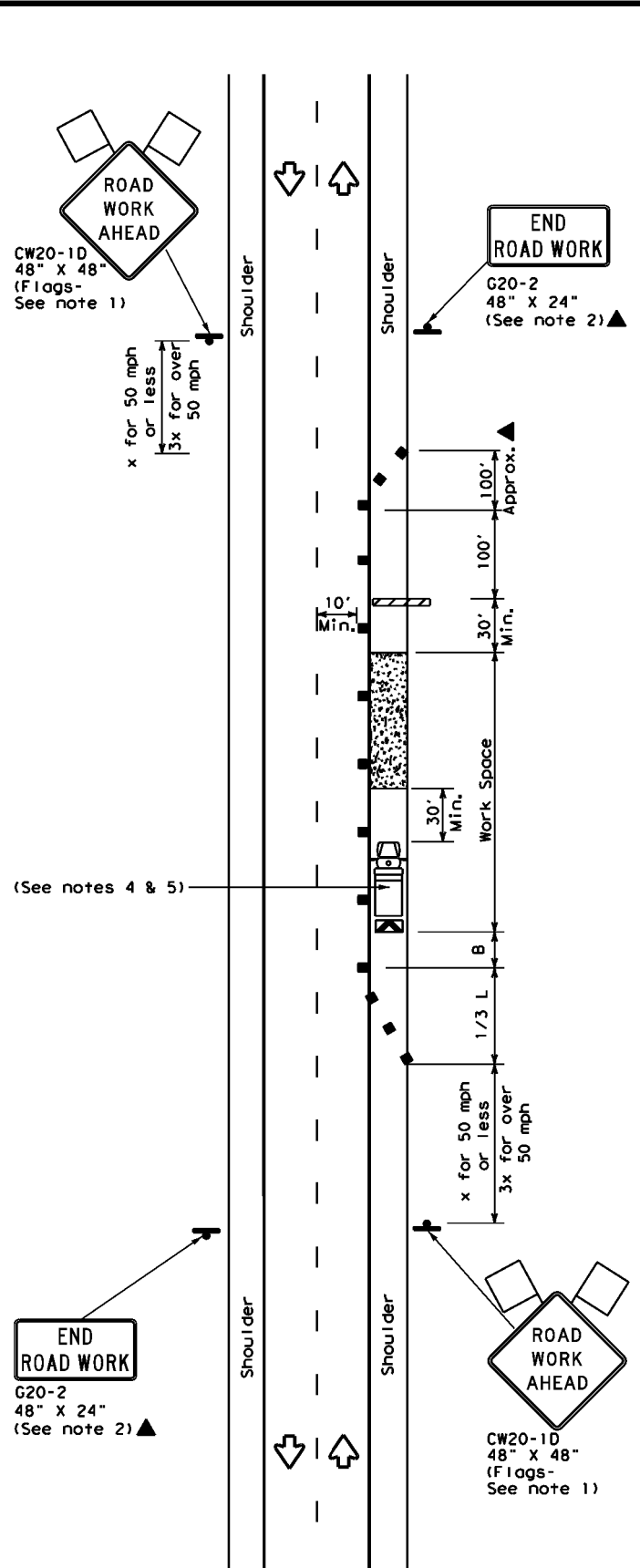
DATE: FILE:

DISCLAIMER: The use of this standard is governed by the "Texas Engineering Practice Act". No warranty of any kind is made by TxDOT for any purpose whatsoever. TxDOT assumes no responsibility for the conversion of this standard to other formats or for incorrect results or damages resulting from its use.



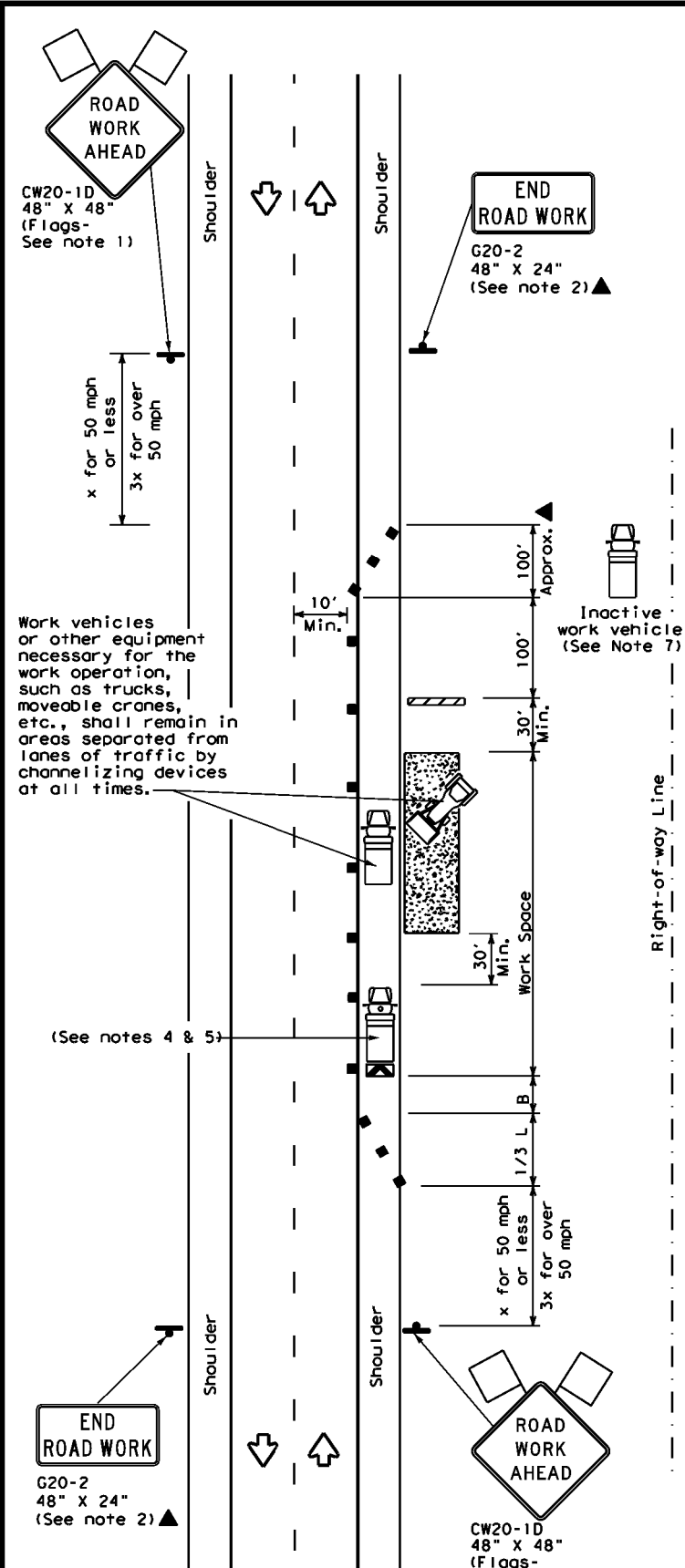
TCP (2-1a)

WORK SPACE NEAR SHOULDER
Conventional Roads



TCP (2-1b)

WORK SPACE ON SHOULDER
Conventional Roads



TCP (2-1c)

WORK VEHICLES ON SHOULDER
Conventional Roads

LEGEND			
	Type 3 Barricade		Channelizing Devices
	Heavy Work Vehicle		Truck Mounted Attenuator (TMA)
	Trailer Mounted Flashing Arrow Board		Portable Changeable Message Sign (PCMS)
	Sign		Traffic Flow
	Flag		Flagger

Posted Speed *	Formula	Minimum Desirable Taper Lengths **			Suggested Maximum Spacing of Channelizing Devices		Minimum Sign Spacing "X" Distance	Suggested Longitudinal Buffer Space "B"
		10' Offset	11' Offset	12' Offset	On a Taper	On a Tangent		
30	$L = \frac{WS^2}{60}$	150'	165'	180'	30'	60'	120'	90'
35		205'	225'	245'	35'	70'	160'	120'
40		265'	295'	320'	40'	80'	240'	155'
45	L = WS	450'	495'	540'	45'	90'	320'	195'
50		500'	550'	600'	50'	100'	400'	240'
55		550'	605'	660'	55'	110'	500'	295'
60		600'	660'	720'	60'	120'	600'	350'
65		650'	715'	780'	65'	130'	700'	410'
70		700'	770'	840'	70'	140'	800'	475'
75		750'	825'	900'	75'	150'	900'	540'

* Conventional Roads Only
** Taper lengths have been rounded off.
L=Length of Taper (FT) W=Width of Offset (FT) S=Posted Speed (MPH)

TYPICAL USAGE				
MOBILE	SHORT DURATION	SHORT TERM STATIONARY	INTERMEDIATE TERM STATIONARY	LONG TERM STATIONARY
	✓	✓	✓	✓

GENERAL NOTES

- Flags attached to signs where shown, are REQUIRED.
- All traffic control devices illustrated are REQUIRED, except those denoted with the triangle symbol may be omitted when stated in the plans, or for routine maintenance work, when approved by the Engineer.
- Stockpiled material should be placed a minimum of 30 feet from nearest traveled way.
- Shadow Vehicle with TMA and high intensity rotating, flashing, oscillating or strobe lights. A Shadow Vehicle with a TMA should be used anytime it can be positioned 30 to 100 feet in advance of the area of crew exposure without adversely affecting the performance or quality of the work. If workers are no longer present but road or work conditions require the traffic control to remain in place, Type 3 Barricades or other channelizing devices may be substituted for the Shadow Vehicle and TMA.
- Additional Shadow Vehicles with TMAs may be positioned off the paved surface, next to those shown in order to protect a wider work space.
- See TCP(5-1) for shoulder work on divided highways, expressways and freeways.
- Inactive work vehicles or other equipment should be parked near the right-of-way line and not parked on the paved shoulder.
- CW21-5 "SHOULDER WORK" signs may be used in place of CW20-1D "ROAD WORK AHEAD" signs for shoulder work on conventional roadways.



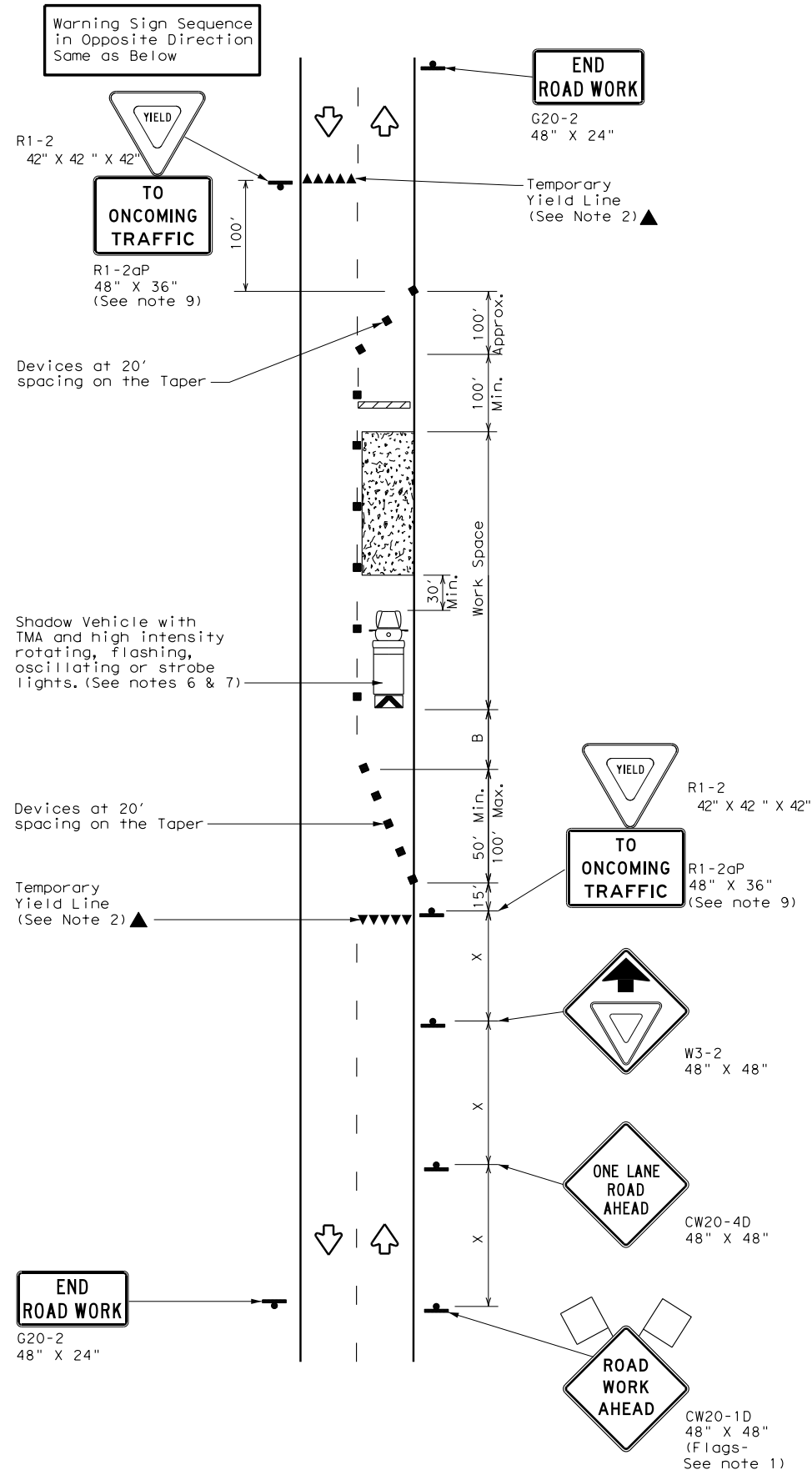
TRAFFIC CONTROL PLAN
CONVENTIONAL ROAD
SHOULDER WORK

TCP (2-1) - 18

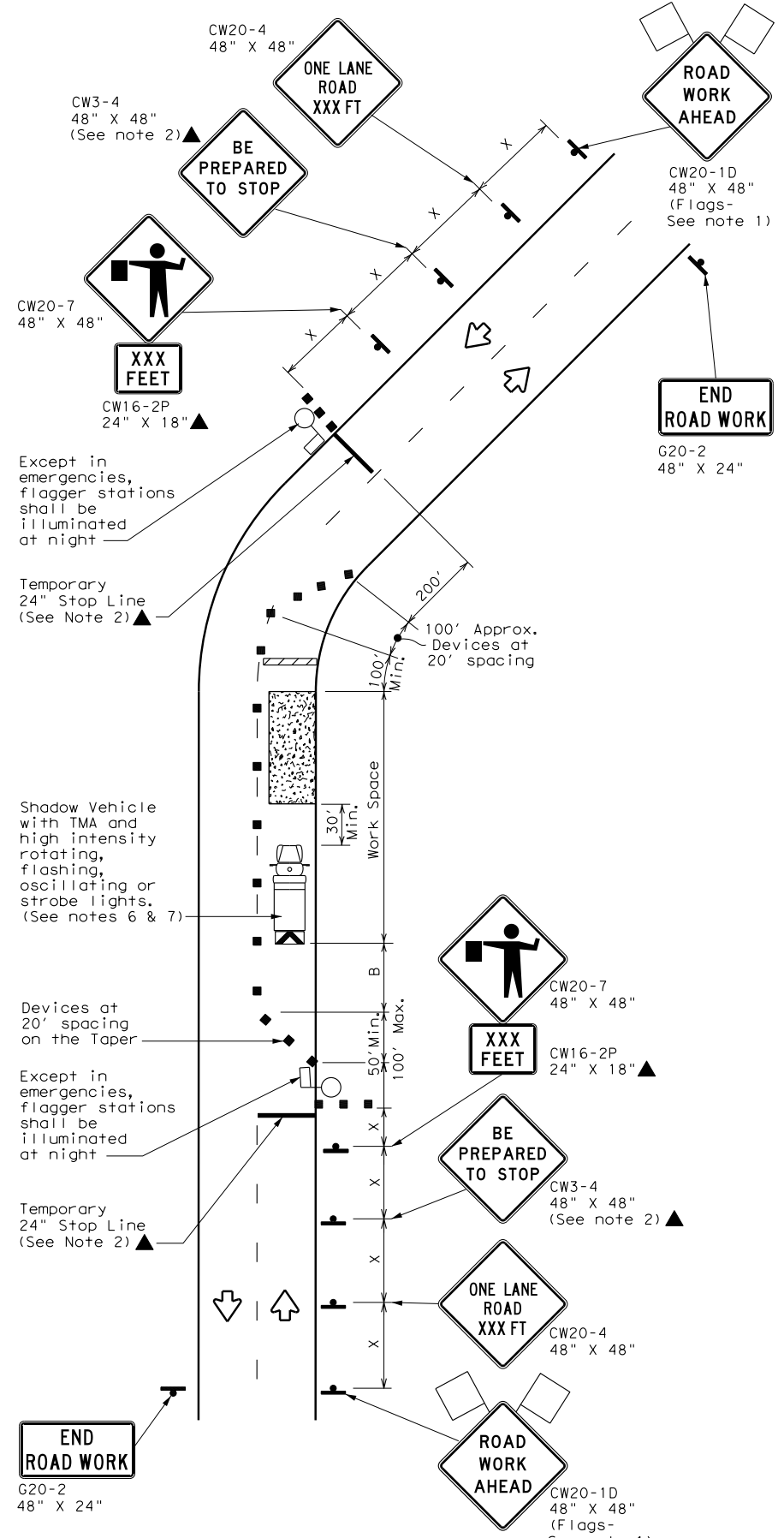
FILE: tcp2-1-18.dgn	DN:	CK1	DN:	CK1
© TxDOT December 1985	CONT	SECT	JOB	HIGHWAY
REVISIONS	6454	19	001	US 290, ETC.
2-94 4-98	DIST	COUNTY	SHEET NO.	
8-95 2-12	AUS	TRAVIS, ETC.	45	
1-97 2-18				

DATE:
FILE:

DISCLAIMER: The use of this standard is governed by the "Texas Engineering Practice Act". No warranty of any kind is made by TxDOT for any purpose whatsoever. TxDOT assumes no responsibility for the conversion of this standard to other formats or for incorrect results or damages resulting from its use.



TCP (2-2a)
2-LANE ROADWAY WITHOUT PAVED SHOULDERS
ONE LANE TWO-WAY
CONTROL WITH YIELD SIGNS
(Less than 2000 ADT - See Note 9)



TCP (2-2b)
2-LANE ROADWAY WITHOUT PAVED SHOULDERS
ONE LANE TWO-WAY
CONTROL WITH FLAGGERS

LEGEND

	Type 3 Barricade		Channelizing Devices
	Heavy Work Vehicle		Truck Mounted Attenuator (TMA)
	Trailer Mounted Flashing Arrow Board		Portable Changeable Message Sign (PCMS)
	Sign		Traffic Flow
	Flag		Flagger

Posted Speed *	Formula	Minimum Desirable Taper Lengths **			Suggested Maximum Spacing of Channelizing Devices		Minimum Sign Spacing "x" Distance	Suggested Longitudinal Buffer Space "B"	Stopping Sight Distance
		10' Offset	11' Offset	12' Offset	On a Taper	On a Tangent			
30	L = WS ² / 60	150'	165'	180'	30'	60'	120'	90'	200'
35		205'	225'	245'	35'	70'	160'	120'	250'
40		265'	295'	320'	40'	80'	240'	155'	305'
45	L = WS	450'	495'	540'	45'	90'	320'	195'	360'
50		500'	550'	600'	50'	100'	400'	240'	425'
55		550'	605'	660'	55'	110'	500'	295'	495'
60		600'	660'	720'	60'	120'	600'	350'	575'
65		650'	715'	780'	65'	130'	700'	410'	645'
70		700'	770'	840'	70'	140'	800'	475'	730'
75		750'	825'	900'	75'	150'	900'	540'	820'

* Conventional Roads Only
 ** Taper lengths have been rounded off.
 L=Length of Taper (FT) W=Width of Offset (FT) S=Posted Speed (MPH)

TYPICAL USAGE

	MOBILE	SHORT DURATION	SHORT TERM STATIONARY	INTERMEDIATE TERM STATIONARY	LONG TERM STATIONARY
		✓	✓	✓	

- GENERAL NOTES**
- Flags attached to signs where shown, are REQUIRED.
 - All traffic control devices illustrated are REQUIRED, except those denoted with the triangle symbol may be omitted when stated elsewhere in the plans, or for routine maintenance work, when approved by the Engineer.
 - The CW3-4 "BE PREPARED TO STOP" sign may be installed after the CW20-4 "ONE LANE ROAD XXX FT" sign, but proper sign spacing shall be maintained.
 - Flaggers should use two-way radios or other methods of communication to control traffic.
 - Length of work space should be based on the ability of flaggers to communicate.
 - A Shadow Vehicle with a TMA should be used anytime it can be positioned 30 to 100 feet in advance of the area of crew exposure without adversely affecting the performance or quality of the work. If workers are no longer present but road or work conditions require the traffic control to remain in place, Type 3 Barricades or other channelizing devices may be substituted for the Shadow Vehicle and TMA.
 - Additional Shadow Vehicles with TMAs may be positioned off the paved surface, next to those shown in order to protect a wider work space.
- TCP (2-2a)**
- The R1-2 "YIELD" sign traffic control may be used on projects with approaches that have adequate sight distance. For projects in urban areas, work space should be no longer than one half city block. In rural areas, roadways with less than 2000 ADT, work space should be no longer than 400 feet.
 - The R1-2aP "YIELD TO ONCOMING TRAFFIC" sign shall be placed on a support at a 7 foot minimum mounting height.
- TCP (2-2b)**
- Channelizing devices on the center line may be omitted when a pilot car is leading traffic and approved by the Engineer.
 - If the work space is located near a horizontal or vertical curve, the buffer distances should be increased in order to maintain stopping sight distance to the flagger and a queue of stopped vehicles. (See table above).
 - Flaggers should use 24" STOP/SLOW paddles to control traffic. Flags should be limited to emergency situations.

Texas Department of Transportation

TRAFFIC CONTROL PLAN
ONE-LANE TWO-WAY
TRAFFIC CONTROL

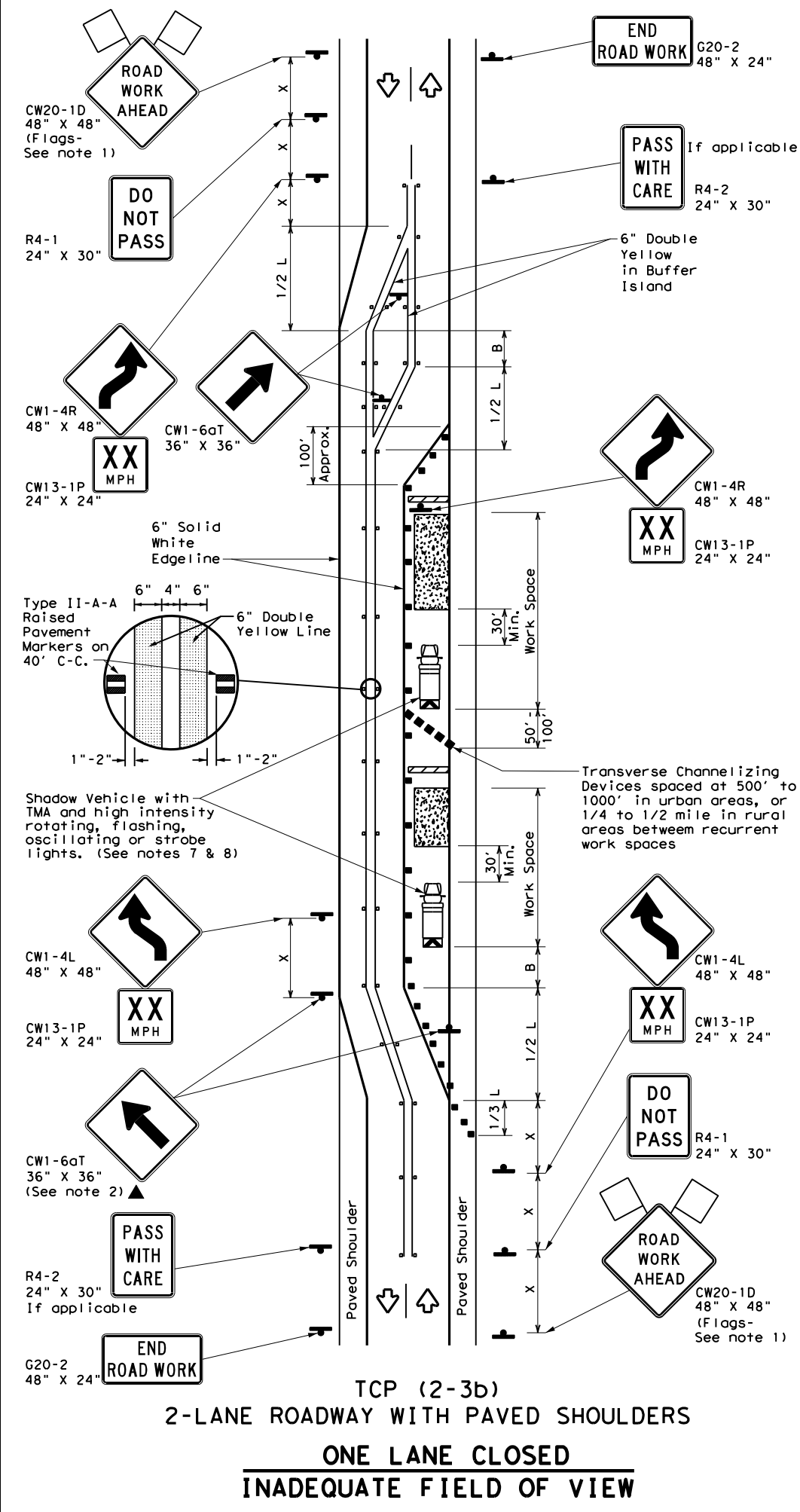
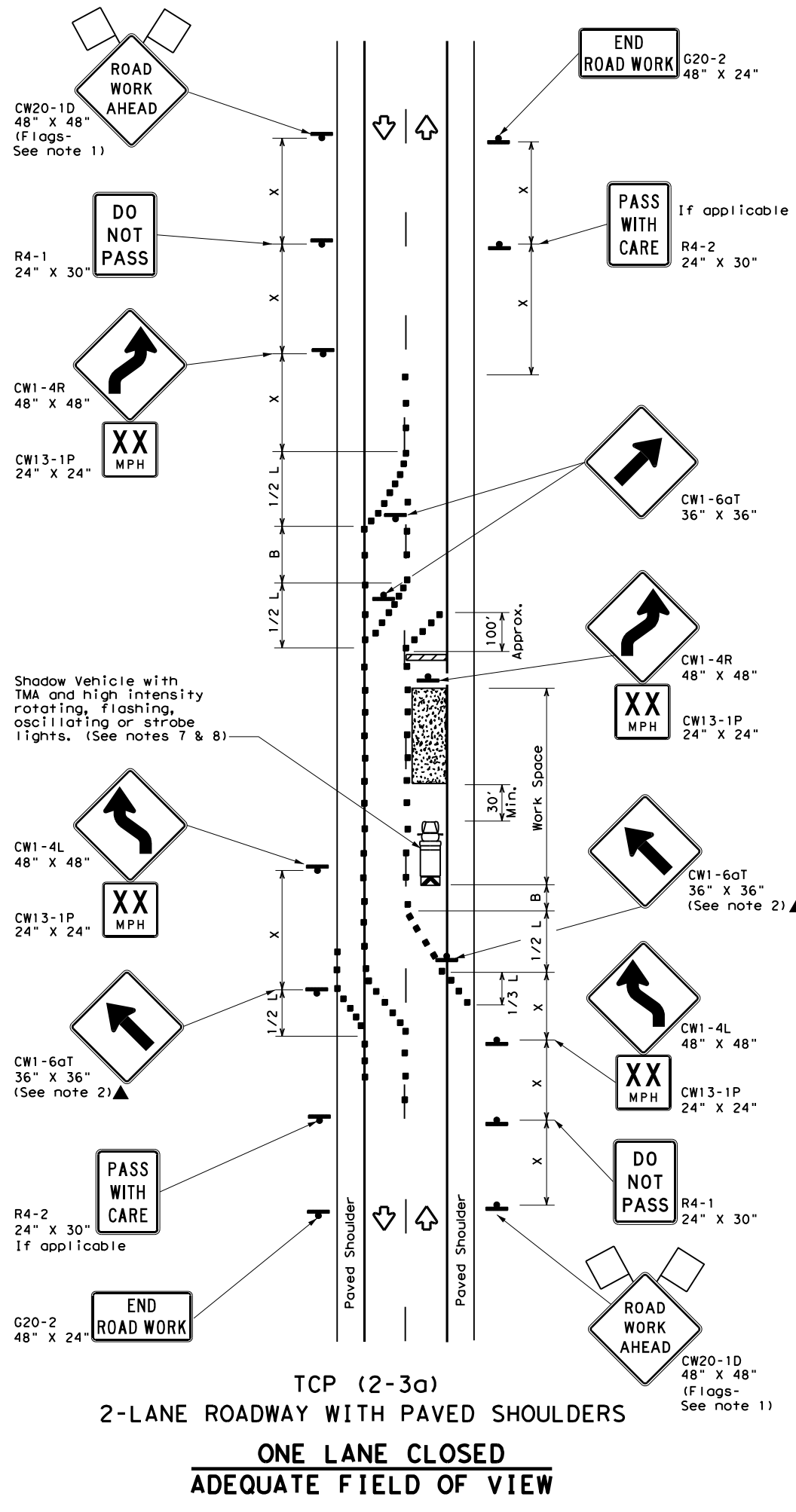
TCP (2-2) - 18

FILE: tcp2-2-18.dgn	DN:	CK:	DW:	CK:
© TxDOT December 1985	CON:	SECT:	JOB:	HIGHWAY:
REVISIONS	6454	19	001	US 290, ETC.
8-95 3-03	DIST:	COUNTY:	SHEET NO.	
1-97 2-12	AUS	TRAVIS, ETC.	46	
4-98 2-18				

162

DISCLAIMER: The use of this standard is governed by the "Texas Engineering Practice Act". No warranty of any kind is made by TxDOT for any purpose whatsoever. TxDOT assumes no responsibility for the conversion of this standard to other formats or for incorrect results or damages resulting from its use.

DATE: FILE:



LEGEND

	Type 3 Barricade		Channelizing Devices
	Heavy Work Vehicle		Truck Mounted Attenuator (TMA)
	Trailer Mounted Flashing Arrow Board		Raised Pavement Markers Ty II-AA
	Sign		Traffic Flow
	Flag		Flagger

Posted Speed *	Formula	Minimum Desirable Taper Lengths **			Suggested Maximum Spacing of Channelizing Devices		Minimum Sign Spacing "x" Distance	Suggested Longitudinal Buffer Space "B"
		10' Offset	11' Offset	12' Offset	On a Taper	On a Tangent		
30	L = WS ² / 60	150'	165'	180'	30'	60'	120'	90'
35		205'	225'	245'	35'	70'	160'	120'
40		265'	295'	320'	40'	80'	240'	155'
45	L = WS	450'	495'	540'	45'	90'	320'	195'
50		500'	550'	600'	50'	100'	400'	240'
55		550'	605'	660'	55'	110'	500'	295'
60		600'	660'	720'	60'	120'	600'	350'
65		650'	715'	780'	65'	130'	700'	410'
70		700'	770'	840'	70'	140'	800'	475'
75		750'	825'	900'	75'	150'	900'	540'

* Conventional Roads Only
** Taper lengths have been rounded off.
L=Length of Taper (FT) W=Width of Offset (FT) S=Posted Speed (MPH)

TYPICAL USAGE

MOBILE	SHORT DURATION	SHORT TERM STATIONARY	INTERMEDIATE TERM STATIONARY	LONG TERM STATIONARY
			✓	✓

TCP (2-3b) ONLY

- GENERAL NOTES**
- Flags attached to signs where shown, are REQUIRED.
 - All traffic control devices illustrated are REQUIRED, except those denoted with the triangle symbol may be omitted when stated elsewhere in the plans, or for routine maintenance work, when approved by the Engineer.
 - When work space will be in place less than three days existing pavement markings may remain in place. Channelizing devices shall be used to separate traffic.
 - Flagger control should NOT be used unless roadway conditions or heavy traffic volume require additional emphasis to safely control traffic. Flagger should be positioned at end of traffic queue.
 - The R4-1 "DO NOT PASS," R4-2 "PASS WITH CARE" and construction regulatory speed zone signs may be installed within CW20-1D "ROAD WORK AHEAD" signs. Proper spacing of signs shall be maintained.
 - Conflicting pavement marking shall be removed for long term projects.
 - A Shadow Vehicle with a TMA should be used anytime it can be positioned 30 to 100 feet in advance of the area of crew exposure without adversely affecting the performance or quality of the work. If workers are no longer present but road or work conditions require the traffic control to remain in place, Type 3 Barricades or other channelizing devices may be substituted.
 - Additional Shadow Vehicles with TMAs may be positioned off the paved surface, next to those shown in order to protect a wider work space.

- TCP (2-3a)**
- Conflicting pavement markings shall be removed for long-term projects. For shorter durations where traffic is directed over a yellow centerline, channelizing devices which separate two-way traffic should be spaced on tapers at 20' or 15' if posted speeds are 35 mph or slower, and for tangent sections, at 1/2(S) where S is the speed in mph. This tighter device spacing is intended for the area of the conflicting markings, not the entire work zone.



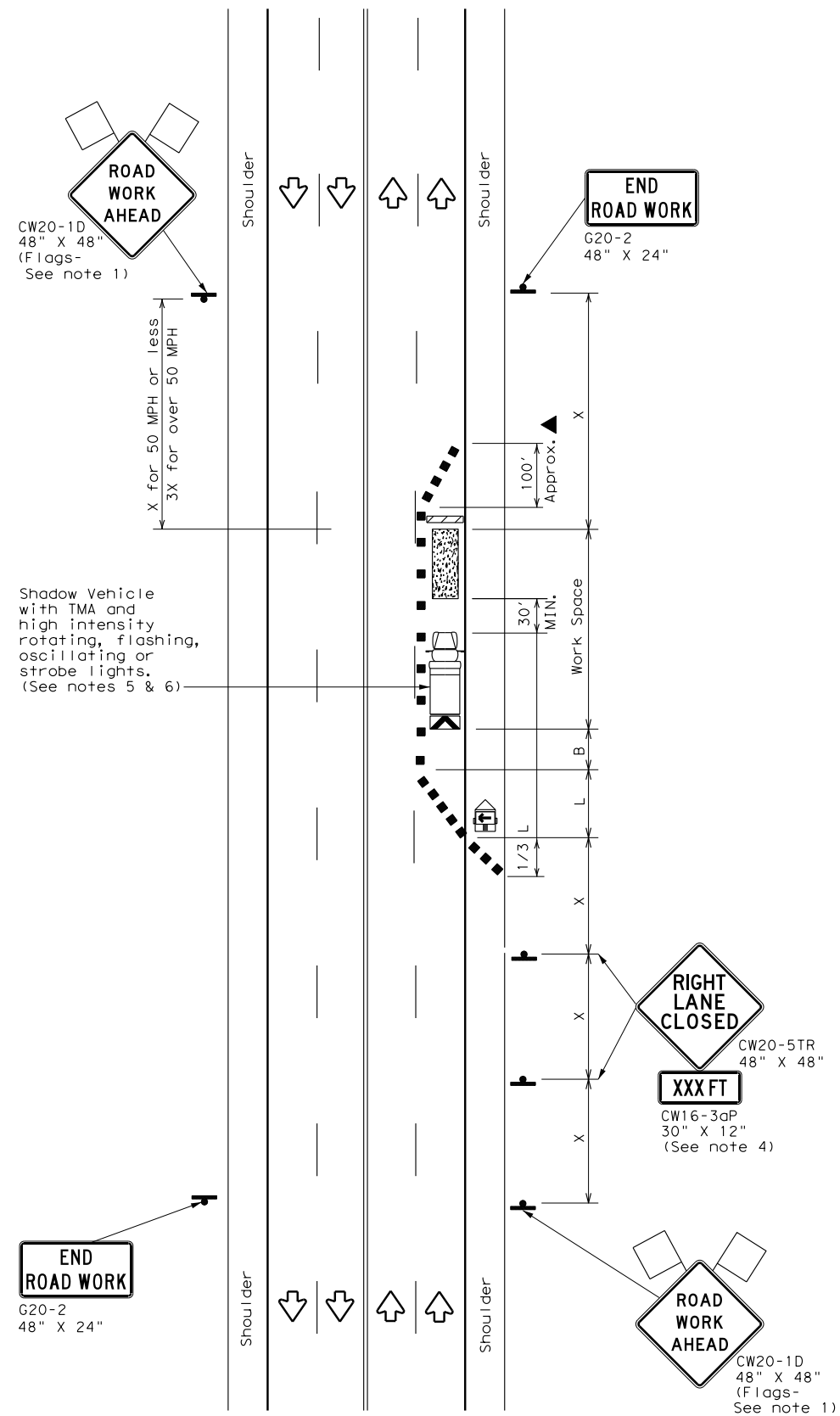
TRAFFIC CONTROL PLAN
TRAFFIC SHIFTS ON
TWO-LANE ROADS

TCP (2-3) - 23

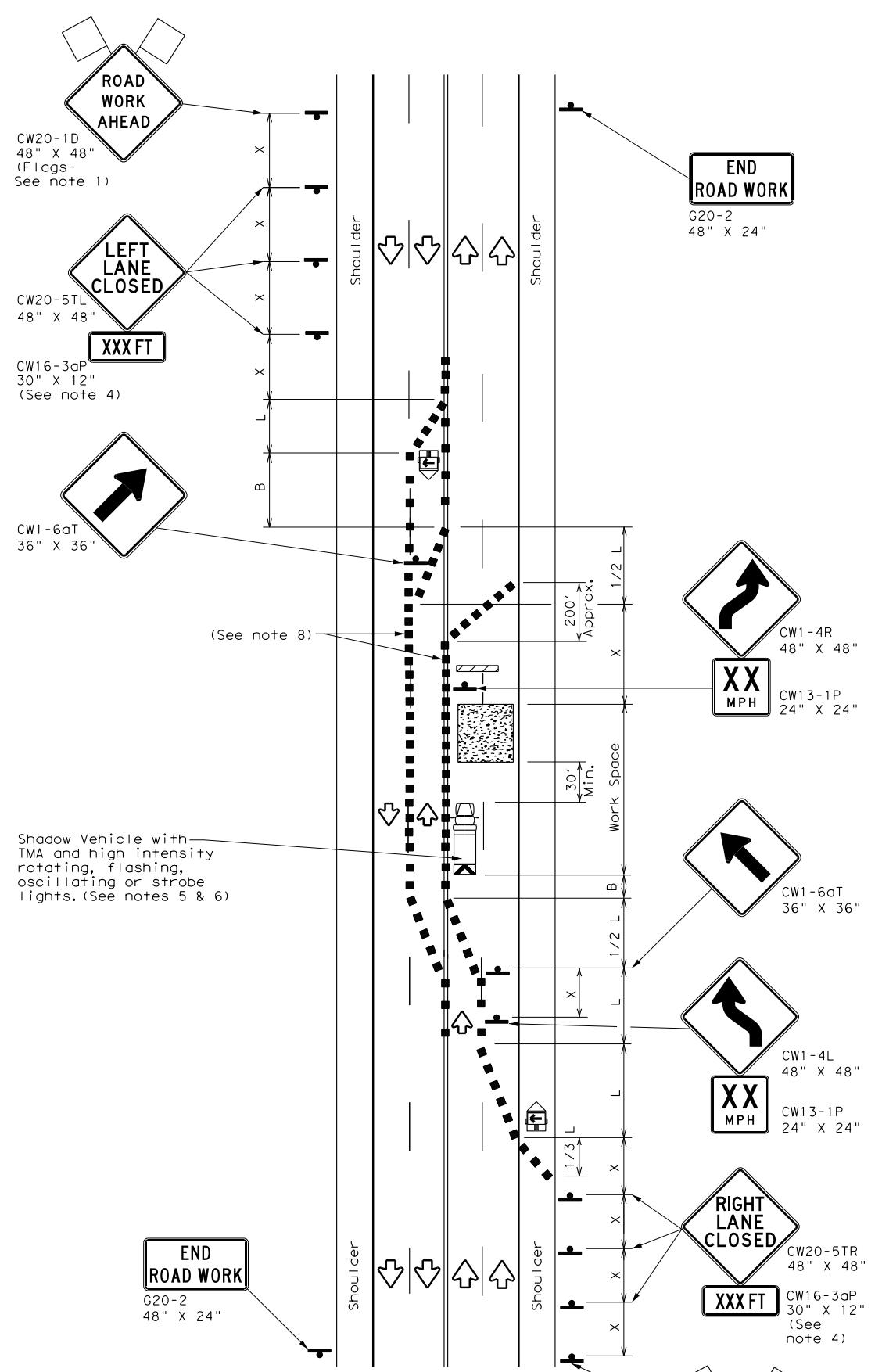
FILE: tcp(2-3)-23.dgn	DN:	CK:	DW:	CK:
© TxDOT April 2023	CONT	SECT	JOB	HIGHWAY
REVISIONS	6454	19	001	US 290, ETC.
12-85 4-98 2-18	DIST	COUNTY	SHEET NO.	
8-95 3-03 4-23	AUS	TRAVIS, ETC.	47	
1-97 2-12				

DISCLAIMER: The use of this standard is governed by the "Texas Engineering Practice Act". No warranty of any kind is made by TxDOT for any purpose whatsoever. TxDOT assumes no responsibility for the conversion of this standard to other formats or for incorrect results or damages resulting from its use.

DATE: FILE:



TCP (2-4a)
ONE LANE CLOSED



TCP (2-4b)
TWO LANES CLOSED

LEGEND			
	Type 3 Barricade		Channelizing Devices
	Heavy Work Vehicle		Truck Mounted Attenuator (TMA)
	Trailer Mounted Flashing Arrow Board		Portable Changeable Message Sign (PCMS)
	Sign		Traffic Flow
	Flag		Flagger

Posted Speed *	Formula	Minimum Desirable Taper Lengths **			Suggested Maximum Spacing of Channelizing Devices		Minimum Sign Spacing "x" Distance	Suggested Longitudinal Buffer Space "B"
		10' Offset	11' Offset	12' Offset	On a Taper	On a Tangent		
30	$L = \frac{WS^2}{60}$	150'	165'	180'	30'	60'	120'	90'
35		205'	225'	245'	35'	70'	160'	120'
40		265'	295'	320'	40'	80'	240'	155'
45	L = WS	450'	495'	540'	45'	90'	320'	195'
50		500'	550'	600'	50'	100'	400'	240'
55		550'	605'	660'	55'	110'	500'	295'
60		600'	660'	720'	60'	120'	600'	350'
65		650'	715'	780'	65'	130'	700'	410'
70		700'	770'	840'	70'	140'	800'	475'
75		750'	825'	900'	75'	150'	900'	540'

* Conventional Roads Only
 ** Taper lengths have been rounded off.
 L=Length of Taper (FT) W=Width of Offset (FT) S=Posted Speed (MPH)

TYPICAL USAGE				
MOBILE	SHORT DURATION	SHORT TERM STATIONARY	INTERMEDIATE TERM STATIONARY	LONG TERM STATIONARY
		✓	✓	

GENERAL NOTES

- Flags attached to signs where shown, are REQUIRED.
- All traffic control devices illustrated are REQUIRED, except those denoted with the triangle symbol may be omitted when stated elsewhere in the plans, or for routine maintenance work, when approved by the Engineer.
- The downstream taper is optional. When used, it should be 100 feet minimum length per lane.
- For short term applications, when post mounted signs are not used, the distance legend may be shown on the sign face rather than on a CW16-3aP supplemental plaque.
- A Shadow Vehicle with a TMA should be used anytime it can be positioned 30 to 100 feet in advance of the area of crew exposure without adversely affecting the performance or quality of the work. If workers are no longer present but road or work conditions require the traffic control to remain in place, Type 3 Barricades or other channelizing devices may be substituted for the Shadow Vehicle and TMA.
- Additional Shadow Vehicles with TMAs may be positioned in each closed lane, on the shoulder or off the paved surface, next to those shown in order to protect a wider work space.

TCP (2-4a)

- If this TCP is used for a left lane closure, CW20-5TL "LEFT LANE CLOSED" signs shall be used and channelizing devices shall be placed on the centerline to protect the work space from opposing traffic with the arrow board placed in the closed lane near the end of the merging taper.

TCP (2-4b)

- For shorter durations where traffic is directed over a yellow centerline, channelizing devices which separate two-way traffic should be spaced on tapers at 20' or 15' if posted speeds are 35 mph or slower, and for tangent sections, at 1/2(S) where S is the speed in mph. This tighter devices spacing is intended for the area of conflicting markings, not the entire work zone.



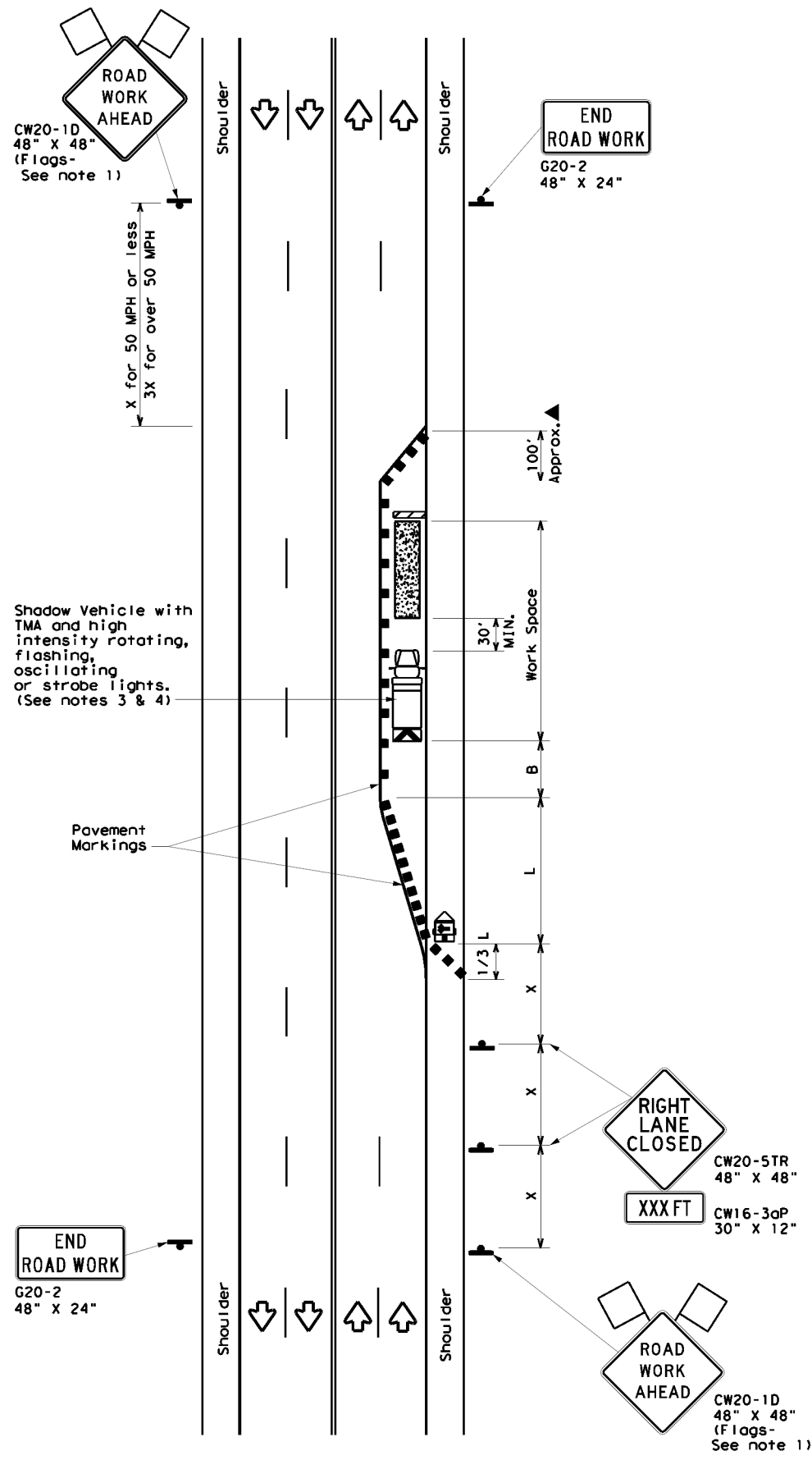
**TRAFFIC CONTROL PLAN
LANE CLOSURES ON MULTILANE
CONVENTIONAL ROADS**

TCP (2-4) - 18

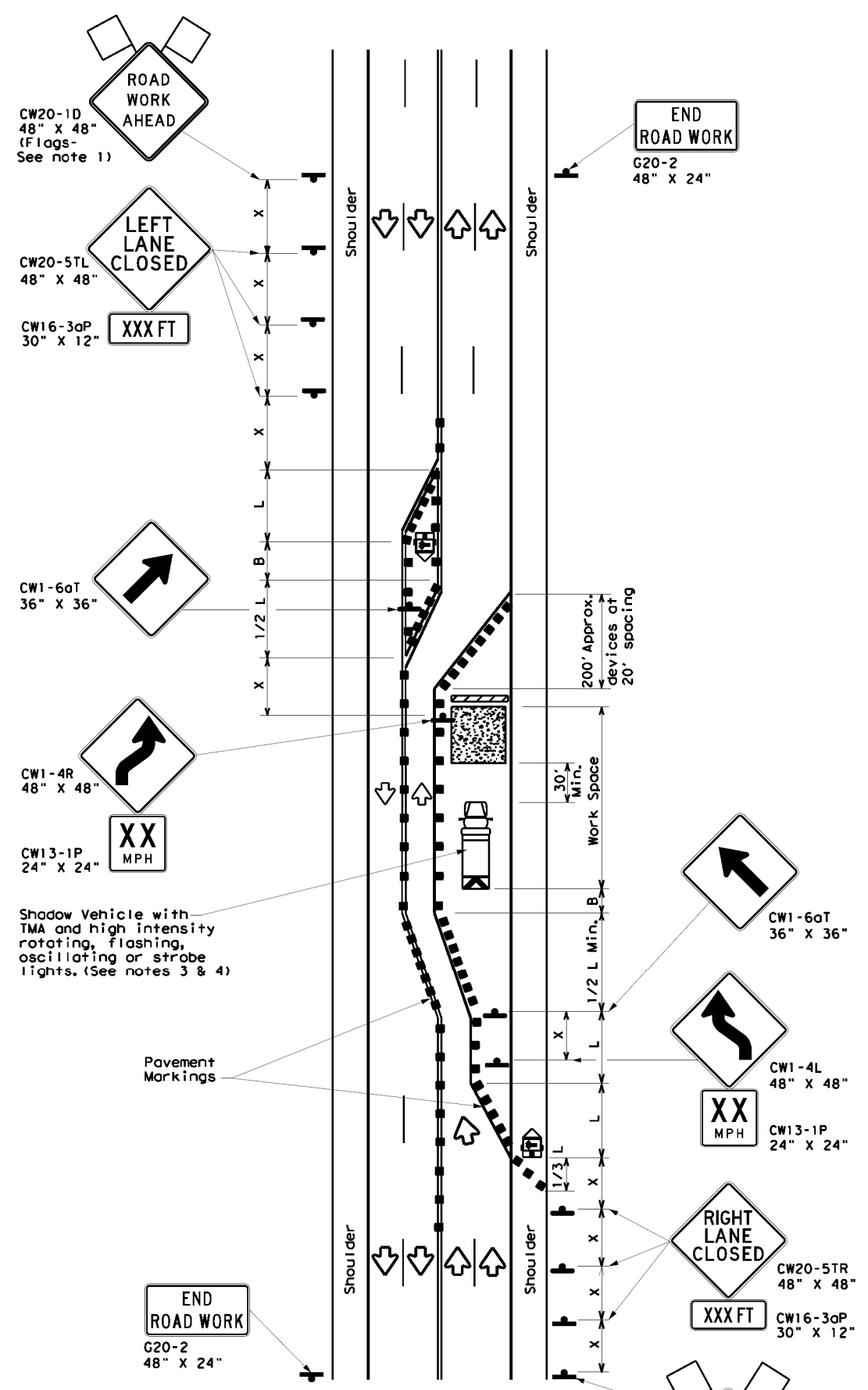
FILE: tcp2-4-18.dgn	DN:	CK:	DW:	CK:
© TxDOT December 1985	CONT	SECT	JOB	HIGHWAY
REVISIONS	6454	19	001	US 290, ETC.
8-95 3-03	DIST	COUNTY	SHEET NO.	
1-97 2-12	AUS	TRAVIS, ETC.	48	
4-98 2-18				

DISCLAIMER: The use of this standard is governed by the "Texas Engineering Practice Act". No warranty of any kind is made by TxDOT for any purpose whatsoever. TxDOT assumes no responsibility for the conversion of this standard to other formats or for incorrect results or damages resulting from its use.

DATE: FILE:



TCP (2-5a)
ONE LANE CLOSED



TCP (2-5b)
TWO LANES CLOSED

LEGEND			
	Type 3 Barricade		Channelizing Devices
	Heavy Work Vehicle		Truck Mounted Attenuator (TMA)
	Trailer Mounted Flashing Arrow Board		Portable Changeable Message Sign (PCMS)
	Sign		Traffic Flow
	Flag		Flagger

Posted Speed *	Formula	Minimum Desirable Taper Lengths **			Suggested Maximum Spacing of Channelizing Devices		Minimum Sign Spacing "x" Distance	Suggested Longitudinal Buffer Space "B"
		10' Offset	11' Offset	12' Offset	On a Taper	On a Tangent		
30	$L = \frac{WS^2}{60}$	150'	165'	180'	30'	60'	120'	90'
35		205'	225'	245'	35'	70'	160'	120'
40		265'	295'	320'	40'	80'	240'	155'
45	L = WS	450'	495'	540'	45'	90'	320'	195'
50		500'	550'	600'	50'	100'	400'	240'
55		550'	605'	660'	55'	110'	500'	295'
60		600'	660'	720'	60'	120'	600'	350'
65		650'	715'	780'	65'	130'	700'	410'
70		700'	770'	840'	70'	140'	800'	475'
75		750'	825'	900'	75'	150'	900'	540'

* Conventional Roads Only
 ** Taper lengths have been rounded off.
 L=Length of Taper (FT) W=Width of Offset (FT) S=Posted Speed (MPH)

TYPICAL USAGE				
MOBILE	SHORT DURATION	SHORT TERM STATIONARY	INTERMEDIATE TERM STATIONARY	LONG TERM STATIONARY
			✓	✓

- GENERAL NOTES**
- Flags attached to signs where shown, are REQUIRED.
 - All traffic control devices illustrated are REQUIRED, except those denoted with the triangle symbol may be omitted when stated elsewhere in the plans, or for routine maintenance work, when approved by the Engineer.
 - A Shadow Vehicle with a TMA should be used anytime it can be positioned 30 to 100 feet in advance of the area of crew exposure without adversely affecting the performance or quality of the work. If workers are no longer present but road or work conditions require the traffic control to remain in place, Type 3 Barricades or other channelizing devices may be substituted for the Shadow Vehicle and TMA.
 - Additional Shadow Vehicles with TMAs may be positioned in each closed lane, on the shoulder or off the paved surface, next to those shown in order to protect a wider work space.
 - The downstream taper is optional. When used, it should be 100 feet approximately per lane, with channelizing devices spaced at 20 feet.

- TCP (2-5a)**
- If this TCP is used for a left lane closure, CW20-5TL "LEFT LANE CLOSED" signs shall be used and channelizing devices shall be placed on the centerline to protect the work space from opposing traffic, with the arrow board placed in the closed lane near the end of the merging taper.
- TCP (2-5b)**
- Conflicting pavement markings shall be removed for long-term projects.

Traffic Operations Division Standard

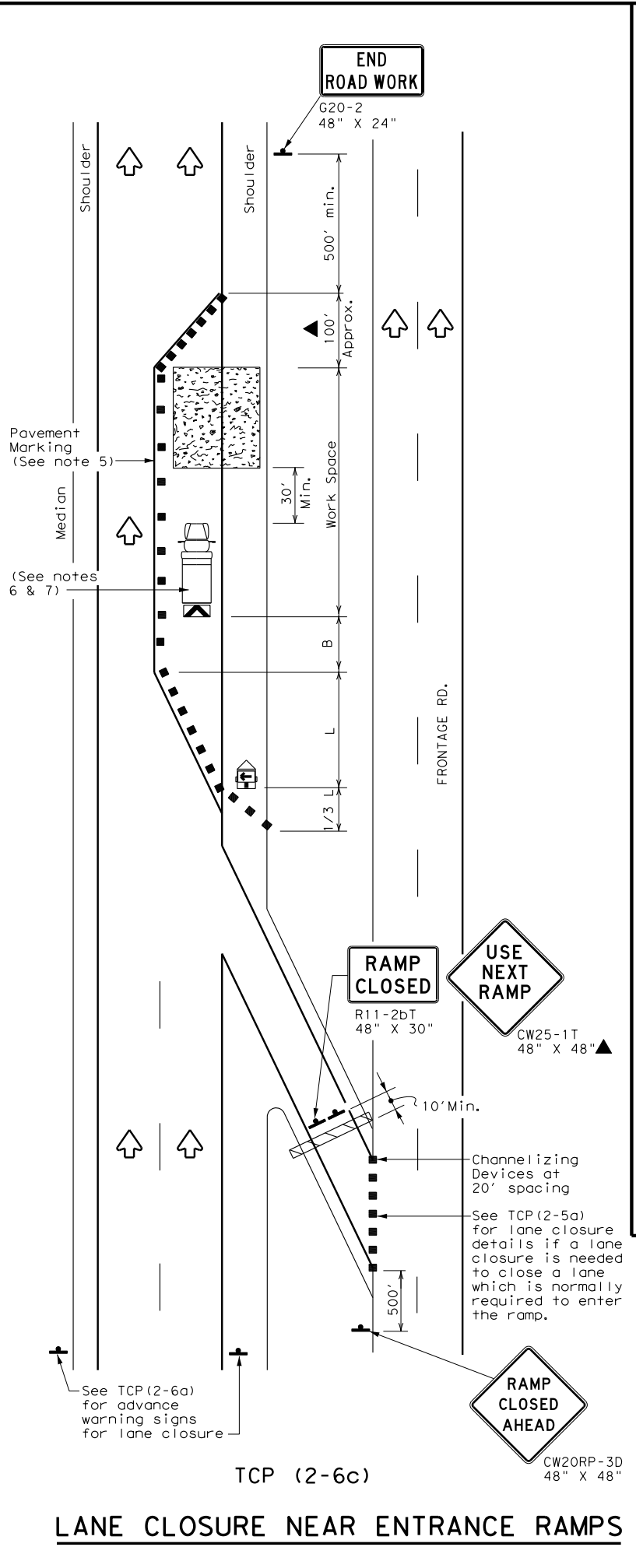
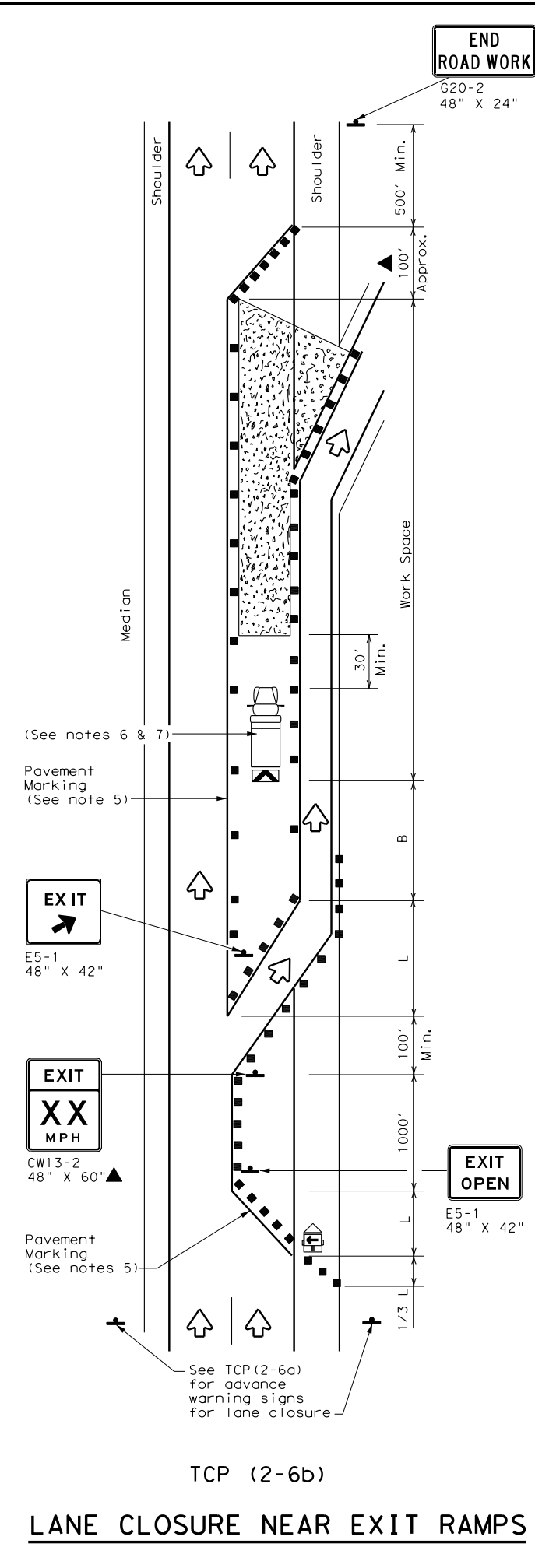
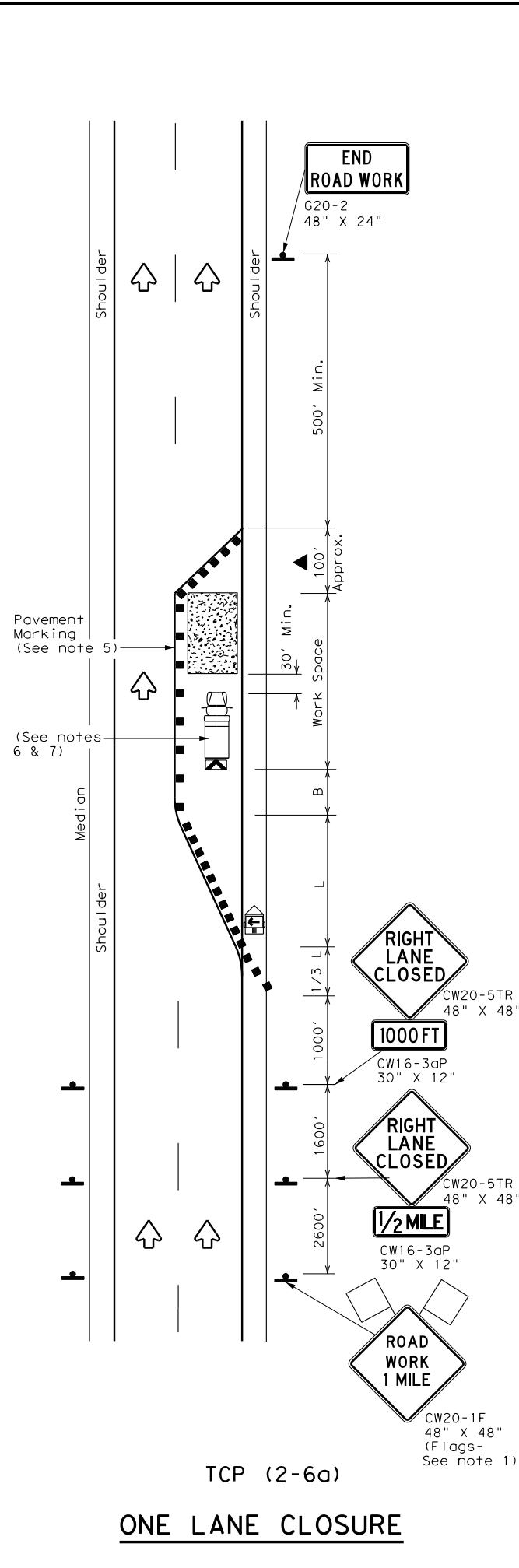
**TRAFFIC CONTROL PLAN
LONG TERM LANE CLOSURES
MULTILANE CONVENTIONAL RDS.**

TCP (2-5) - 18

FILE: tcp2-5-18.dgn	DN:	CK:	DW:	CK:
© TxDOT December 1985	CONT	SECT	JOB	HIGHWAY
REVISIONS	6454	19	001	US 290, ETC.
8-95 2-12	DIST	COUNTY	SHEET NO.	
1-97 3-03	AUS	TRAVIS, ETC.	49	
4-98 2-18				

DISCLAIMER: The use of this standard is governed by the "Texas Engineering Practice Act". No warranty of any kind is made by TxDOT for any purpose whatsoever. TxDOT assumes no responsibility for the conversion of this standard to other formats or for incorrect results or damages resulting from its use.

DATE:
FILE:



LEGEND			
	Type 3 Barricade		Channelizing Devices
	Heavy Work Vehicle		Truck Mounted Attenuator (TMA)
	Trailer Mounted Flashing Arrow Board		Portable Changeable Message Sign (PCMS)
	Sign		Traffic Flow
	Flag		Flagger

Posted Speed *	Formula	Minimum Desirable Taper Lengths **			Suggested Maximum Spacing of Channelizing Devices		Minimum Sign Spacing "X" Distance	Suggested Longitudinal Buffer Space "B"
		10' Offset	11' Offset	12' Offset	On a Taper	On a Tangent		
30	$L = \frac{WS^2}{60}$	150'	165'	180'	30'	60'	120'	90'
35		205'	225'	245'	35'	70'	160'	120'
40		265'	295'	320'	40'	80'	240'	155'
45	L = WS	450'	495'	540'	45'	90'	320'	195'
50		500'	550'	600'	50'	100'	400'	240'
55		550'	605'	660'	55'	110'	500'	295'
60		600'	660'	720'	60'	120'	600'	350'
65		650'	715'	780'	65'	130'	700'	410'
70		700'	770'	840'	70'	140'	800'	475'
75		750'	825'	900'	75'	150'	900'	540'

* Conventional Roads Only
 ** Taper lengths have been rounded off.
 L=Length of Taper (FT) W=Width of Offset (FT) S=Posted Speed (MPH)

TYPICAL USAGE				
MOBILE	SHORT DURATION	SHORT TERM STATIONARY	INTERMEDIATE TERM STATIONARY	LONG TERM STATIONARY
			✓	✓

- GENERAL NOTES**
- Flags attached to signs where shown, are REQUIRED.
 - All traffic control devices illustrated are REQUIRED, except those denoted with the triangle symbol may be omitted when stated elsewhere in the plans, or for routine maintenance work, when approved by the Engineer.
 - Channelizing devices used to close lanes may be supplemented with the Chevron Alignment Sign placed on every other channelizing device. Chevrons may be attached to plastic drums as per BC Standards.
 - Channelizing devices used along the work space or along tangent sections may be supplemented with vertical panels (VP) placed on every other channelizing device. If night time conditions make it difficult to see at least two VPs, the VPs may be placed on each channelizing device.
 - The placement of pavement markings may be omitted on intermediate-term stationary work zones with the approval of the Engineer.
 - Shadow Vehicle with TMA and high intensity rotating, flashing, oscillating or strobe lights. A Shadow Vehicle with a TMA should be used anytime it can be positioned 30 to 100 feet in advance of the area of crew exposure without adversely affecting the performance or quality of the work. If workers are no longer present but road or work conditions require the traffic control to remain in place, Type 3 Barricades or other channelizing devices may be substituted for the Shadow Vehicle and TMA.
 - Additional Shadow Vehicles with TMAs may be positioned in each closed lane, on the shoulder or off the paved surface, next to those shown in order to protect a wider work space.



**TRAFFIC CONTROL PLAN
LANE CLOSURES ON
DIVIDED HIGHWAYS**

TCP (2-6) - 18

FILE: tcp2-6-18.dgn	DN:	CK:	DW:	CK:
© TxDOT December 1985	CONT	SECT	JOB	HIGHWAY
REVISIONS	6454	19	001	US 290, ETC.
2-94 4-98	DIST	COUNTY	SHEET NO.	
8-95 2-12	AUS	TRAVIS, ETC.	50	
1-97 2-18				

DISCLAIMER: The use of this standard is governed by the "Texas Engineering Practice Act". No warranty of any kind is made by TxDOT for any purpose whatsoever. TxDOT assumes no responsibility for the conversion of this standard to other formats or for incorrect results or damages resulting from its use.

DATE: FILE:

Traffic Control Devices shown for one direction

New pavement surface should extend to this point. (See note 2)

CW1-6 48" X 24" (See note 2) ▲

6" Solid White Edgeline

OM-3 Object Markers

Type II-A-A Raised Pavement Markers on 40' C-C.

6" Double Yellow Line

New pavement surface should extend to this point. (See note 5)

END ROAD WORK G20-2 48" X 24"

CW1-6 48" X 24" (See note 2) ▲

Warning Reflectors may be added on top of channelizing devices for additional conspicuity at night. Warning Reflectors, chevrons or steady-burn warning lights may be added if drums or longitudinal channelizing devices are used. (Both directions)

Barricades may be offset to permit workers and equipment to enter and exit work space.

CW1-4R 48" X 48"

XX MPH CW13-1P 24" X 24"

ROAD CLOSED R11-2 48" X 30"

CW1-6 48" X 24"

CW1-4L 48" X 48"

XX MPH CW13-1P 24" X 24" (See note 2) ▲

ROAD WORK XXX FT CW20-1A, B, or C 48" X 48"

ROAD WORK AHEAD CW20-1D 48" X 48" (Flags- See note 1)

TCP (2-7a)

ROADWAY DIVERSION

Traffic Control Devices shown for one direction

END ROAD WORK G20-2 48" X 24"

PASS WITH CARE R4-2 24" X 30" If applicable

CTB with safety end treatment, or other barrier system as detailed elsewhere in the plans.

6" Solid White Edgeline

Type II-A-A Raised Pavement Markers on 40' C-C.

6" 4" 6"

1"-2" 1"-2"

6" Double Yellow Line

NARROW BRIDGE CW5-2 48" X 48" (See note 6)

DO NOT PASS R4-1 24" X 30"

ROAD WORK AHEAD CW20-1D 48" X 48" (Flags- See note 1)

TCP (2-7b)

BRIDGE WIDENING

LEGEND			
	Type 3 Barricade		Channelizing Devices
	Heavy Work Vehicle		Truck Mounted Attenuator (TMA)
	Trailer Mounted Flashing Arrow Board		Raised Pavement Markers Ty II-AA
	Sign		Traffic Flow
	Flag		Flagger

Posted Speed *	Formula	Minimum Desirable Taper Lengths **			Suggested Maximum Spacing of Channelizing Devices		Minimum Sign Spacing "X" Distance	Suggested Longitudinal Buffer Space "B"
		10' Offset	11' Offset	12' Offset	On a Taper	On a Tangent		
30	$L = \frac{WS^2}{60}$	150'	165'	180'	30'	60'	120'	90'
35		205'	225'	245'	35'	70'	160'	120'
40		265'	295'	320'	40'	80'	240'	155'
45	L = WS	450'	495'	540'	45'	90'	320'	195'
50		500'	550'	600'	50'	100'	400'	240'
55		550'	605'	660'	55'	110'	500'	295'
60		600'	660'	720'	60'	120'	600'	350'
65		650'	715'	780'	65'	130'	700'	410'
70		700'	770'	840'	70'	140'	800'	475'
75		750'	825'	900'	75'	150'	900'	540'

* Conventional Roads Only
 ** Taper lengths have been rounded off.
 L=Length of Taper (FT) W=Width of Offset (FT) S=Posted Speed (MPH)

TYPICAL USAGE				
MOBILE	SHORT DURATION	SHORT TERM STATIONARY	INTERMEDIATE TERM STATIONARY	LONG TERM STATIONARY
			✓	✓

- GENERAL NOTES**
- Flags attached to signs where shown are REQUIRED.
 - All traffic control devices illustrated are REQUIRED, except those denoted with the triangle symbol may be omitted when stated elsewhere in the plans, or for routine maintenance work, when approved by the Engineer.

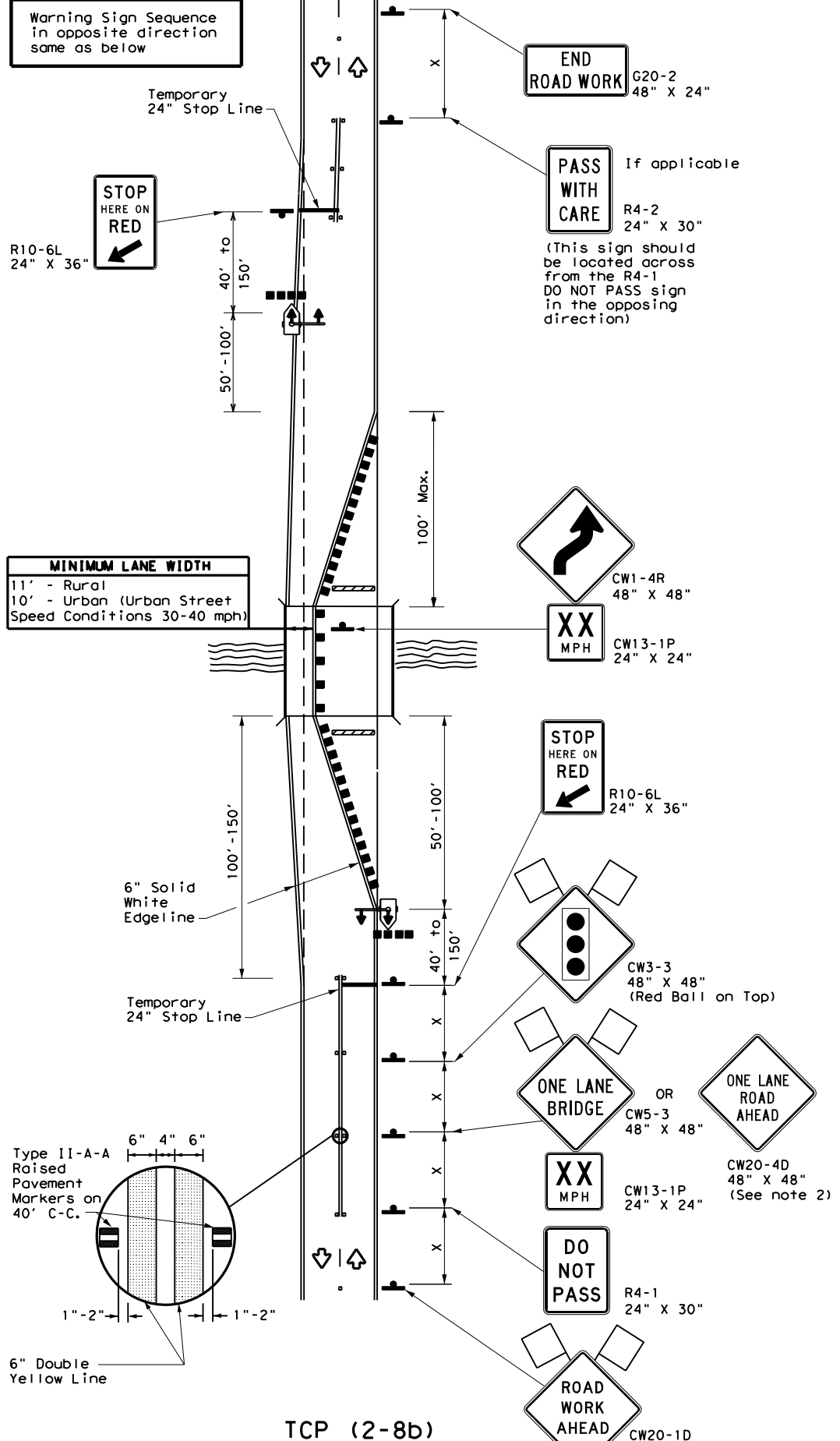
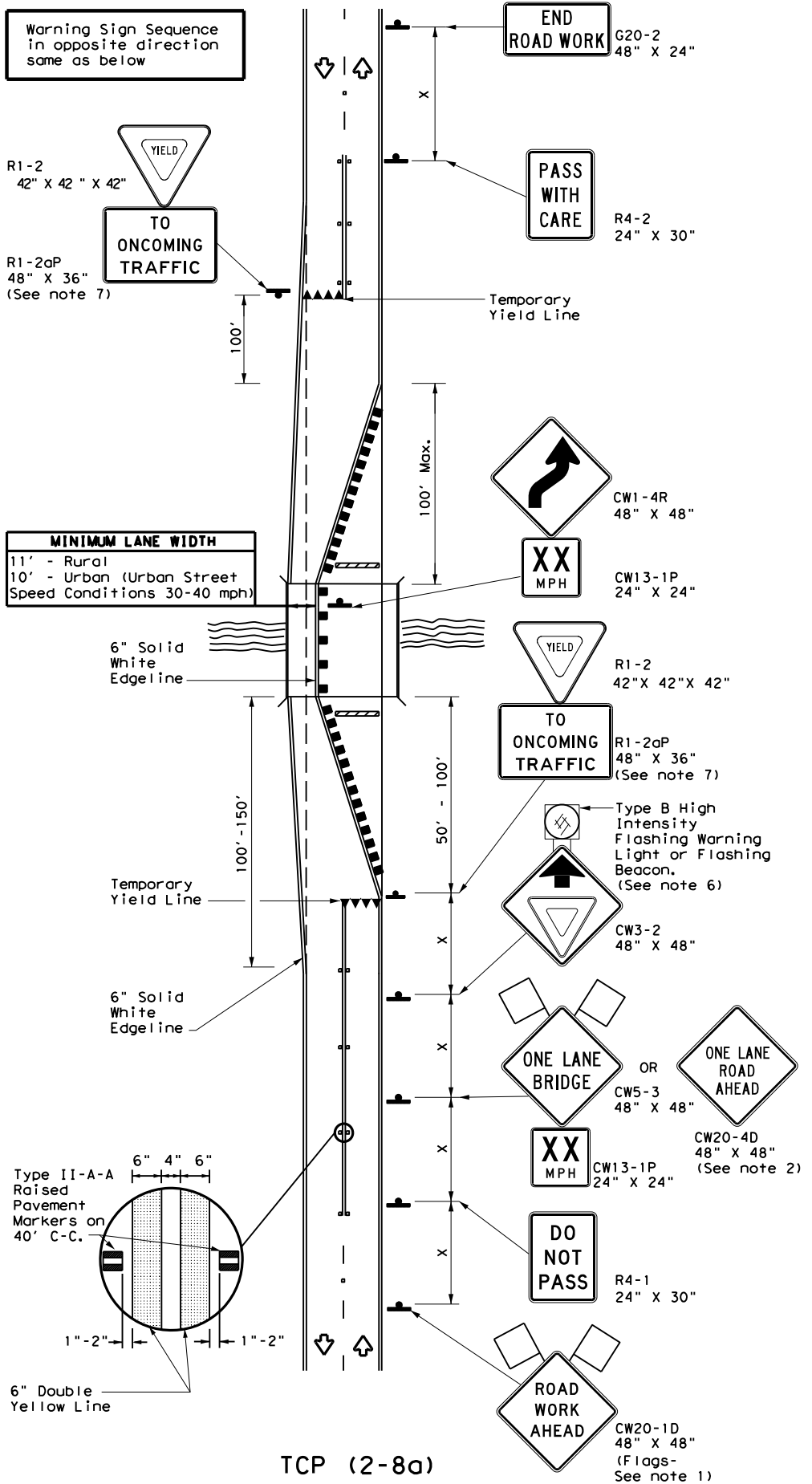
- TCP (2-7a)**
- Raised pavement markers shall be placed 40 feet c-c on centerline throughout project.
 - Roadway diversion design requirements should be based on posted speed limit or prevailing speed.
 - New pavement surface should be extended across existing roadway edge to a point where existing pavement markings left in place during project do not conflict with construction area pavement marking.
- TCP (2-7b)**
- The CW5-2 "Narrow Bridge" sign may be omitted if lane and shoulder widths are maintained.

TRAFFIC CONTROL PLAN DIVERSIONS AND NARROW BRIDGES

TCP (2-7) -23

FILE: tcp2-7-23.dgn	DN:	CK:	DW:	CK:
© TxDOT April 2023	CONT	SECT	JOB	HIGHWAY
REVISIONS	6454	19	001	US 290, ETC.
12-85 4-98 2-18	DIST	COUNTY	SHEET NO.	
8-95 3-03 4-23	AUS	TRAVIS, ETC.	51	
1-97 2-12				

DISCLAIMER: The use of this standard is governed by the "Texas Engineering Practice Act". No warranty of any kind is made by TxDOT for any purpose whatsoever. TxDOT assumes no responsibility for the conversion of this standard to other formats or for incorrect results or damages resulting from its use.



LEGEND

	Type 3 Barricade		Channelizing Devices
	Sign		Traffic Flow
	Flag		Flagger
	Raised Pavement Markers Ty II-AA		Temporary or Portable Traffic Signal

Posted Speed *	Formula	Minimum Desirable Taper Lengths **			Suggested Maximum Spacing of Channelizing Devices		Minimum Sign Spacing "X" Distance	Suggested Longitudinal Buffer Space "B"	Stopping Sight Distance
		10' Offset	11' Offset	12' Offset	On a Taper	On a Tangent			
30	L = WS ² / 60	150'	165'	180'	30'	60'	120'	90'	200'
35		205'	225'	245'	35'	70'	160'	120'	250'
40		265'	295'	320'	40'	80'	240'	155'	305'
45	L = WS	450'	495'	540'	45'	90'	320'	195'	360'
50		500'	550'	600'	50'	100'	400'	240'	425'
55		550'	605'	660'	55'	110'	500'	295'	495'
60	L = WS	600'	660'	720'	60'	120'	600'	350'	570'
65		650'	715'	780'	65'	130'	700'	410'	645'
70		700'	770'	840'	70'	140'	800'	475'	730'
75	L = WS	750'	825'	900'	75'	150'	900'	540'	820'

* Conventional Roads Only
** Taper lengths have been rounded off.
L=Length of Taper (FT) W=Width of Offset (FT) S=Posted Speed (MPH)

TYPICAL USAGE

MOBILE	SHORT DURATION	SHORT TERM STATIONARY	INTERMEDIATE TERM STATIONARY	LONG TERM STATIONARY
			✓	✓

GENERAL NOTES

- Flags attached to signs where shown are REQUIRED.
 - When this TCP is used at a location which does not involve a bridge, a 48" x 48" CW20-4D "ONE LANE ROAD AHEAD" signs should be used in lieu of the CW5-3 "ONE LANE BRIDGE" signs. The CW13-1P Advisory Speed Plaque is required with either warning sign.
 - Raised pavement markers shall be placed 40 feet c-c on centerline between DO NOT PASS signs and stop or yield lines.
 - For intermediate term situations, when it is not feasible to remove and restore pavement markings, the channelization must be made dominant by using a very close spacing. This is especially important in locations of conflicting information, such as where traffic is directed over a double yellow centerline. In such locations a maximum channelizing device spacing of 20 feet is recommended. The 20 foot channelizing device spacing recommendation is intended for the area of conflicting information and not the entire work zone.
- TCP (2-8a)**
- Traffic control by CW3-2 "YIELD AHEAD" symbol signs for one lane two-way traffic control operations should be limited to work spaces less than 400 feet long and roadways with less than 2000 ADT. Otherwise, portable traffic signals should be used.
 - If power is available, a flashing beacon should be attached to the CW3-2 "YIELD AHEAD" symbol sign for emphasis.
 - The R1-2 "YIELD" and R1-2aP "TO ONCOMING TRAFFIC" signs and other regulatory signs shall be installed at 7 foot minimum mounting height.
- TCP (2-8b)**
- A list of approved Portable Traffic Signals can be found in the "Compliant Work Zone Traffic Control Devices" list.
 - Portable traffic signals should be located to provide adequate stopping sight distance for approaching motorist (See table above).

Traffic Safety Division Standard

TEXAS DEPARTMENT OF TRANSPORTATION

TRAFFIC CONTROL PLAN
LONG TERM ONE-LANE
TWO-WAY CONTROL

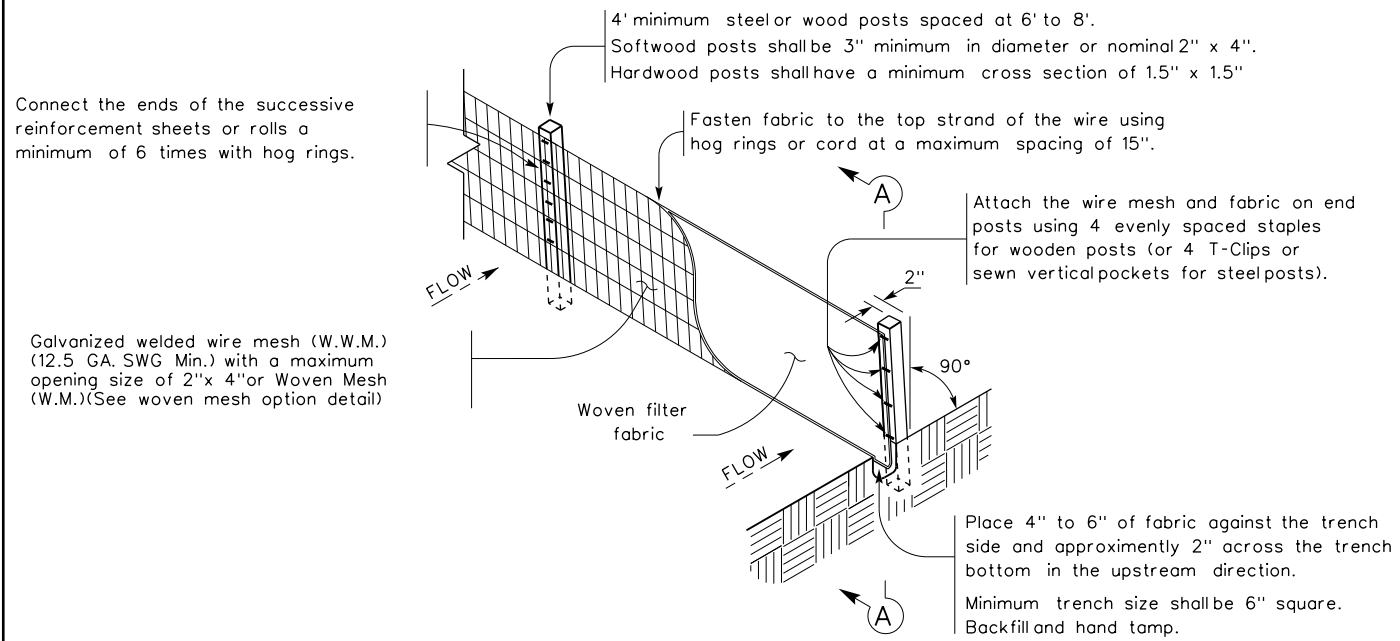
TCP (2-8) -23

FILE: tcp2-8-23.dgn	DN:	CK:	DW:	CK:
© TxDOT April 2023	CONT	SECT	JOB	HIGHWAY
REVISIONS	6454	19	001	US 290, ETC.
12-85 4-98 2-18	DIST	COUNTY	SHEET NO.	
8-95 3-03 4-23	AUS	TRAVIS, ETC.	52	
1-97 2-12				

168

DATE:
FILE:

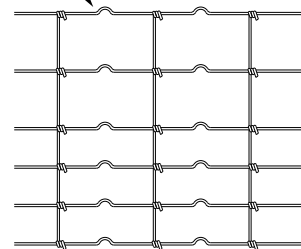
DISCLAIMER: The use of this standard is governed by the "Texas Engineering Practice Act". No warranty of any kind is made by TxDOT for any purpose whatsoever. TxDOT assumes no responsibility for the conversion of this standard to other formats or for incorrect results or damages resulting from its use.



TEMPORARY SEDIMENT CONTROL FENCE

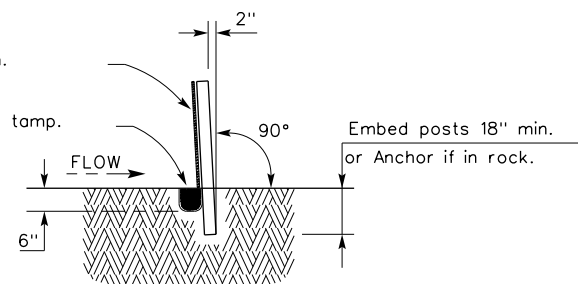


Top of Fence



Filter fabric 3' min. width.

Backfill & hand tamp.



SECTION A-A

HINGE JOINT KNOT WOVEN MESH (OPTION) DETAIL

Galvanized hinge joint knot woven mesh (12.5 GA. SWG Min.) requires a minimum of five horizontal wires spaced at a maximum of 12 inches apart and all vertical wires spaced at a maximum of 12 inches apart.

SEDIMENT CONTROL FENCE USAGE GUIDELINES

A sediment control fence may be constructed near the downstream perimeter of a disturbed area along a contour to intercept sediment from overland runoff. A 2 year storm frequency may be used to calculate the flow rate to be filtered.

Sediment control fence should be sized to filter a maximum flow through rate of 100 GPM/FT. Sediment control fence is not recommended to control erosion from a drainage area larger than 2 acres.

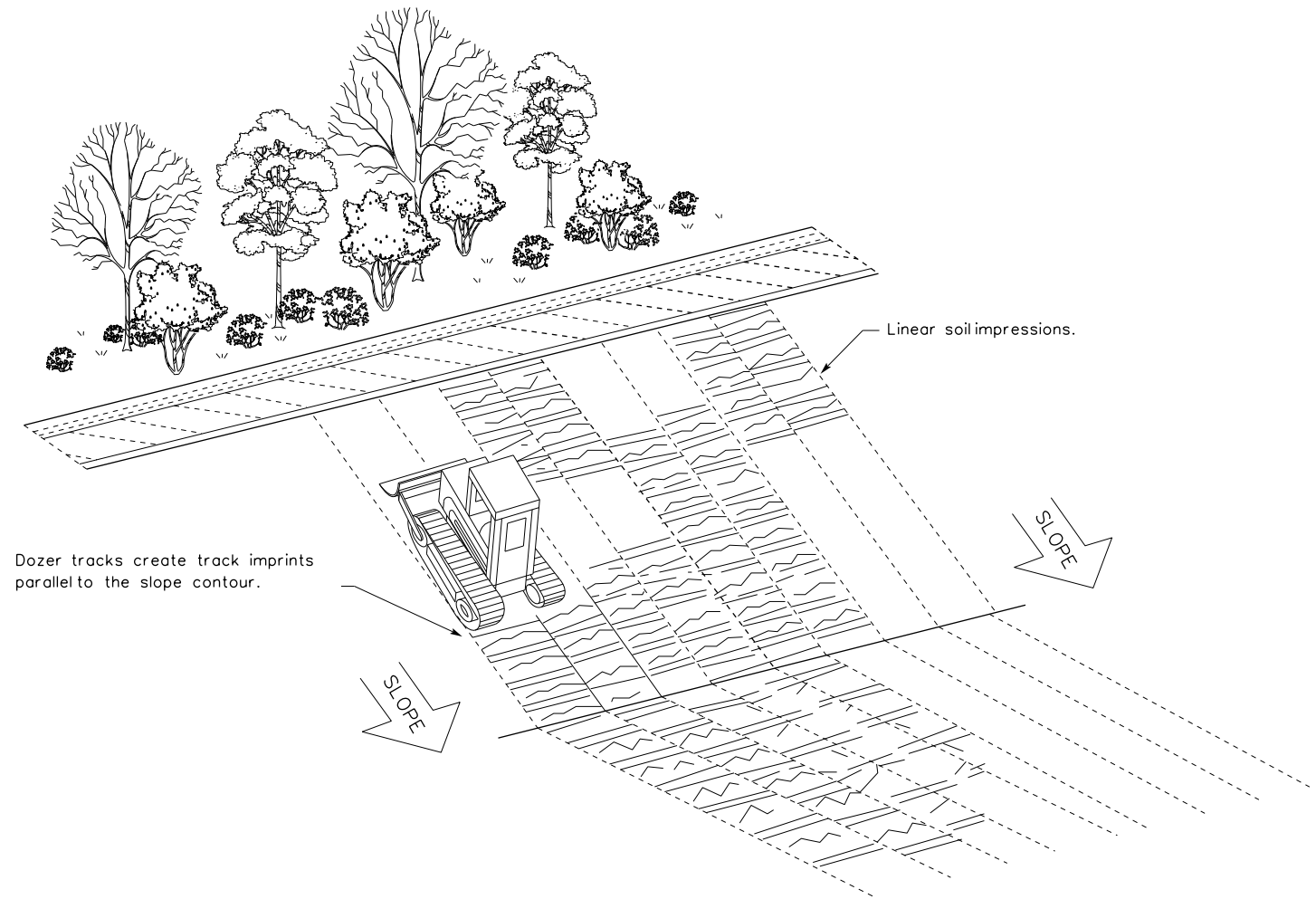
LEGEND

Sediment Control Fence



GENERAL NOTES

1. Vertical tracking is required on projects where soil distributing activities have occurred unless otherwise approved.
2. Perform vertical tracking on slopes to temporarily stabilize soil.
3. Provide equipment with a track undercarriage capable of producing linear soil impressions measuring a minimum of 12" in length by 2" to 4" in width by 1/2" to 2" in depth.
4. Do not exceed 12" between track impressions.
5. Install continuous linear track impressions where the minimum 12" length impressions are perpendicular to the slope or direction of water flow.



VERTICAL TRACKING



TEMPORARY EROSION, SEDIMENT AND WATER POLLUTION CONTROL MEASURES FENCE & VERTICAL TRACKING EC(1)-16

FILE: ec116	DN: TxDOT	CK: KM	DW: VP	DN/CK: LS
© TxDOT: JULY 2016	CONT	SECT	JOB	HIGHWAY
REVISIONS	6454	19	001	US 290, ETC.
	DIST	COUNTY		SHEET NO.
	AUSTIN	TRAVIS, ETC.		53