

STATE OF TEXAS

DEPARTMENT OF TRANSPORTATION

FED. RD. DIV. NO.	FEDERAL AID PROJECT NO.	SHEET NUMBER	
6	F 2B24(154)	1	
STATE	STATE DISTRICT	COUNTY	
TEXAS	AMA	POTTER	
CONTROL	SECTION	JOB	HIGHWAY NO.
0275	01	244	IH 40

SHEET NO.	DESCRIPTION
1	TITLE SHEET
2	INDEX OF SHEETS

PLANS OF PROPOSED STATE HIGHWAY IMPROVEMENTS POTTER COUNTY

HIGHWAY: IH 40

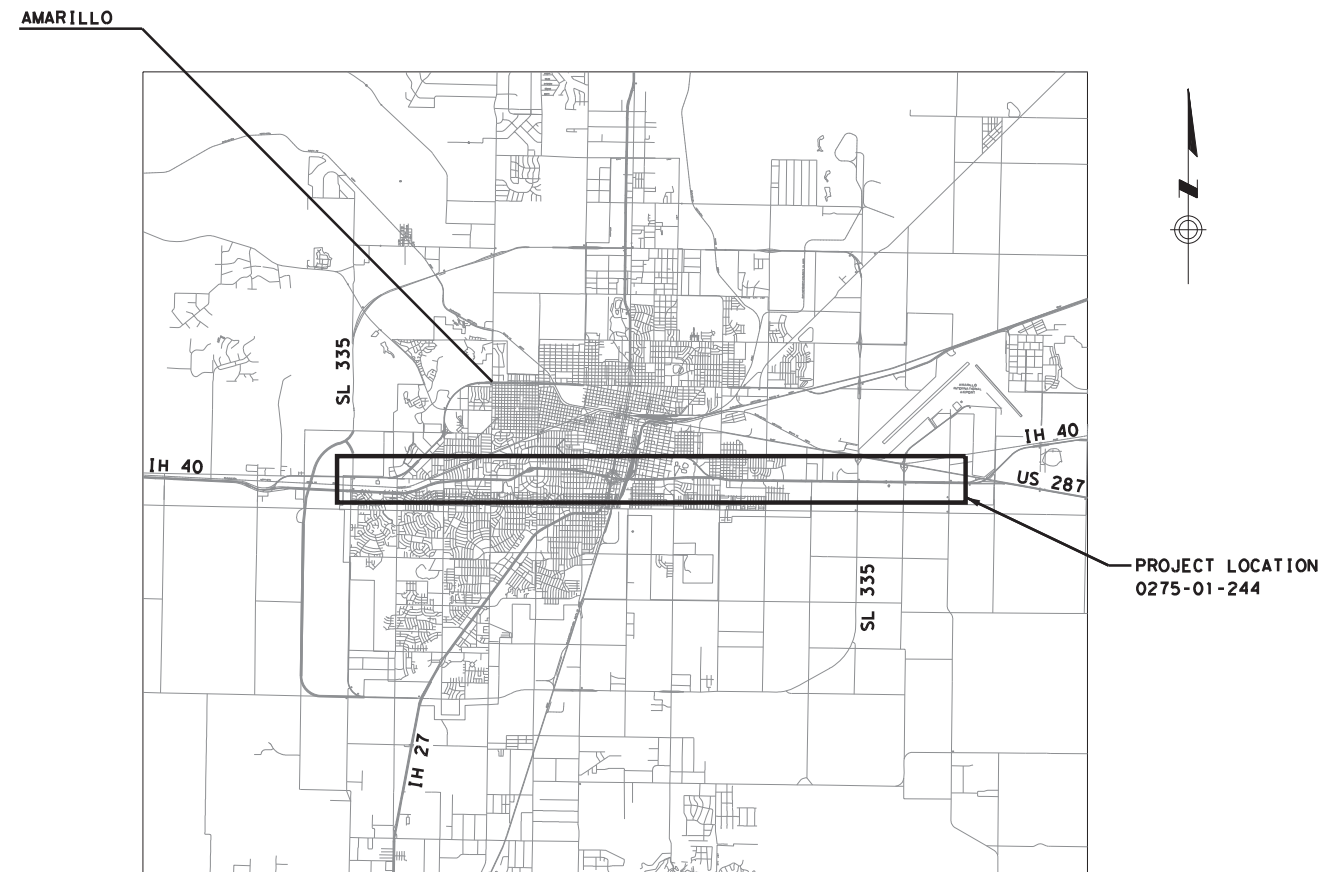
PROJECT: F 2B24(154)

IH 40 HIGH MAST LIGHTING

FOR THE CONSTRUCTION OF SAFETY LIGHTING/HIGH MAST
LIMITS: EAST OF HOPE ROAD TO US 287 INTERCHANGE
NET LENGTH: 84,000 LF = 16.00 MILES

FINAL PLANS

CONTRACTOR NAME: _____
 CONTRACTORS ADDRESS: _____
 DATE CONTRACTOR BEGAN WORK: _____
 DATE CONTRACTOR WAS COMPLETED & ACCEPTED: _____
 FINAL CONTRACT COST: _____
 AE SIGNATURE & DATE: _____



ATTACHMENT NO. 1-24 TO SPECIAL AGREEMENT FOR CONSTRUCTION, MAINTENANCE, AND OPERATION OF CONTINUOUS HIGHWAY LIGHTING SYSTEMS WITHIN A MUNICIPALITY, (BLANKET), DATED JANUARY 2, 1996.

THE CITY-STATE CONSTRUCTION, MAINTENANCE, AND OPERATION RESPONSIBILITIES SHALL BE AS HERETOFORE AGREED TO, ACCEPTED, AND SPECIFIED IN THE AGREEMENT OF WHICH THESE PLANS ARE MADE A PART.

DATE: 3/7/24

CONCURRENCE:

Floyd Hartman

CITY MANAGER, CITY OF AMARILLO

DATE: 4/1/2024

RECOMMENDED FOR LETTING:

DocuSigned by:
Bernardo Jarama, PE
25B59152F691499...
AREA ENGINEER

DATE: 4/3/2024

DocuSigned by:
Kit Black
9B5A6EA6AE8B46E...
DISTRICT DIRECTOR OF TRANSPORTATION PLANNING AND DEVELOPMENT

DATE: 4/5/2024

APPROVED FOR LETTING:

DocuSigned by:
Blair Johnson
8B80E3AEB2BC43A...
DISTRICT ENGINEER

SITE LOCATION MAP

N. T. S.
 EXCEPTIONS: BEGIN STA 975+64.01 - END STA 1820+56.64
 EQUATIONS: STA 1000+00.00 BK = STA 1811+76.41 AH
 RAILROAD CROSSINGS: NONE

NOTE:

ALL CONSTRUCTION WITHIN THE STATE RIGHT OF WAY WILL REQUIRE COMPLIANCE TO TXDOT STANDARD SPECIFICATIONS, STANDARD PLANS, AND TEXAS MANUAL ON UNIFORM TRAFFIC CONTROL DEVICES.

SPECIFICATIONS ADOPTED BY THE TEXAS DEPARTMENT OF TRANSPORTATION, NOVEMBER 1, 2014 AND THE CONTRACT PROVISIONS LISTED AND DATED AS FOLLOWS SHALL GOVERN ON THIS PROJECT: REQUIRED CONTRACT PROVISIONS FOR ALL FEDERAL-AID CONSTRUCTION CONTRACTS (FORM FHWA 1273, OCTOBER 2023)

DATE: 2/7/2024 9:46:48 AM
FILE: K:\01509\01509-0027-10 TxDOT AMA PS&E IH 40\TRAFFIC\SWA1\Sheets\PO_SHT01_SWA1_TITLE_SHEET.dgn

INDEX OF SHEETS

SHEET	DESCRIPTION
<u>I. GENERAL</u>	
1	TITLE SHEET
2	INDEX OF SHEETS
3-3C	GENERAL NOTES
4-4A	ESTIMATE AND QUANTITY
5-6	SUMMARY OF QUANTITIES
7	ELECTRICAL SERVICES SUMMARY

<u>II. TRAFFIC CONTROL PLAN</u>	
# 8-19	BC (1-12) -21
# 20-24	TCP (1-1, 1-2, 1-3, 1-4, 1-5) -18
# 25	TCP (2-4) -18
# 26	TCP (2-5) -18
# 27-31	TCP (6-1, 6-2, 6-3, 6-4, 6-5) -12
# 32	WZ (RS) -22

<u>III. TRAFFIC ITEMS</u>	
33-99	ILLUMINATION LAYOUT
100-104	CIRCUIT DIAGRAM

<u>IV. TxDOT STANDARDS</u>	
# 105-113	ED (1) -14 THRU ED (8) -14 & ED (11) -14
# 114	GF (31) -19
# 115	GF (31) DAT -19
# 116	GF (31) MS -19
# 117-125	HMID (1) -03 THRU HMID (9) -03
# 126	HMIF (1) -98
# 127	HMIF (2) -98
# 128	HMIP (1) -16
# 129	HMIP (2) -16
# 130-132	RID (1) -20 THRU RID (3) -20
# 133	SGT (10S) 31-16
# 134	SGT (12S) 31-18
# 135	WV & IZ -14

<u>V. ENVIRONMENTAL ISSUES</u>	
# 136	EPIC
# 137-138	SW3P

<u>VI. ENVIRONMENTAL ISSUES STANDARDS</u>	
# 139-141	EC (9) -16

NO.	DATE	REVISION	APPROVED



INDEX OF SHEETS

SHEET 1 OF 1

FED. RD. DIV. NO.	FEDERAL AID PROJECT NO.	HIGHWAY NO.
6	SEE TITLE SHEET	IH 40
STATE	DIST.	COUNTY
TEXAS	AMA	POTTER
CONT.	SECT.	JOB
0275	01	244

THE STANDARD SHEETS SPECIFICALLY IDENTIFIED (#) ABOVE HAVE BEEN SELECTED BY ME OR UNDER MY RESPONSIBLE SUPERVISION AS BEING APPLICABLE TO THIS PROJECT.

P.E., PDE, RSP1
 _____, P.E. 1/22/2024
 Signature of Registrant & Date

DATE: 2/7/2024 9:46:48 AM USER: T_Cowser PLOTDRIVER: BW_HALF_PDF.plt PENTABLE: IH40_SWA1_penrdblie.tbl
 FILE: K:\01509\01509-0027-10 TxDOT AMA PS&E_IH_40\TRAFFIC\SWA1\Sheets\PO_SHT02_SWA1_INDEX.dgn

GENERAL NOTES

Contractor questions on this project are to be addressed to the following individual(s):

TO: Traffic Engineer	Bernardo.Ferrel@txdot.gov
CC: Transportation Specialist	Kevin.Wilcox@txdot.gov
Director of Construction	Kit.Black@txdot.gov (interim)
Construction Manager	Darrell.Caldwell@txdot.gov

Contractor questions will be accepted through email, phone, or in person by the above individuals.

For Q&A's on Proposals navigate to:

<https://tableau.txdot.gov/views/ProjectInformationDashboard/NoticetoContractors>

Use the dashboard to navigate to the project you are interested in by scrolling or filtering the dashboard using the controls on the left. Hover over the blue hyperlink of the project you want to view the Q&A for and click on the link in the window that pops up.

All relevant project documentation including CTD will be posted to TxDOT District's FTP website.

<https://ftp.dot.state.tx.us/pub/txdot-info/Pre-Letting%20Responses/>

Verify all survey control prior to beginning construction. Notify Engineer of any discrepancies in control prior to beginning construction.

There are approximately 16 "reference markers" within the project limits. If a marker needs to be moved for any reason during construction operations, the Contractor is to remove it, install it in a temporary location and then reinstall it in its correct permanent location. Both the temporary and permanent locations are to be on a line that is perpendicular to the original "station" along the roadway. The temporary location is to be at or near the right-of-way. The permanent location is to be directed by the Engineer.

If Contractor damages any sprinkler heads, risers or water lines that are not to be relocated, he or she is required to replace or repair all damage at his or her own expense and to the Engineer's satisfaction.

If portions of the right-of-way is used to store materials, equipment, and other uses with the approval of the Engineer, materials, equipment, etc., must either be located outside the 30 feet traffic safety clearance zone or be adequately protected.

Dust caused by construction operations is to be controlled by applying water in conformance with the requirements of Item 204, "Sprinkling". Sprinkling for dust control will not be paid for directly, but will be considered as subsidiary work to the various bid items.

Notify the Engineer within 24 hours of erecting any high mast illumination pole numbered 7A-1 through 19B-2 so that FAA can be notified of such work by completing 7460-2, Part 2.

Underground utilities owned by the Texas Department of Transportation may be present within the Right-Of-Way. Call or email the TxDOT office listed below for locates a minimum of 48 hours in advance of excavation. If a city owned irrigation facility is present, call the appropriate department of the local city a minimum of 48 hours in advance of excavation. The Contractor is liable for all damages incurred to the above-mentioned utilities when working without having the utilities located prior to excavation.

For TXDOT owned utilities including signal and ITS locates call Amarillo District Signal Shop 806-356-3351.

Item 6 Control of Materials

To comply with the latest provisions of Build America, Buy America Act (BABA Act) of the Bipartisan Infrastructure Law, the contractor must submit an original of the TxDOT Construction Material Buy America Certification Form for all items classified as construction materials. This form is not required for materials classified as a manufactured product.

Refer to the Buy America Material Classification Sheet for clarification on material categorization.

The Buy America Material Classification Sheet is located at the below link.

<https://www.txdot.gov/business/resources/materials/buy-america-material-classification-sheet.html> for clarification on material categorization.

Item 7 Legal Relations and Responsibilities

No significant traffic generator events identified.

The total area disturbed for this project is approximately 0.5 acres. The disturbed area in this project, all project locations in the Contract, and the Contractor Project Specific Locations (PSLs), within 1 mile of the project limits, for the Contract will further establish the authorization requirements for storm water discharges. The Department will obtain an authorization to discharge storm water from the Texas Commission on Environmental Quality (TCEQ) for the construction activities shown on the plans. The Contractor is to obtain required authorization from the TCEQ for Contractor PSLs for construction support activities on or off the ROW. When the total area disturbed in the Contract and PSLs within 1 mile of the project limits exceeds 5 acres, provide a copy of the Contractor NOI for PSLs on the ROW to the Engineer and to the local government that operates a separate storm sewer system.

Item 8 Prosecution and Progress

Create, maintain, and submit for acceptance, a Critical Path Method (CPM) project schedule and a Project Schedule Summary Report (PSSR) using computer software that is fully compatible with the latest version of Primavera Systems, Inc. or Primavera P6.

The 60 days convenience delay special provision is intended to provide lead time to acquire required construction materials for illumination poles.

Allow the existing illumination system sections to remain in place and operational during construction for as long as possible until the new system or sections can be made operational.

Item 416 Drilled Shaft Foundations

A stabilization method is to be used to prevent caving of the material and is to be submitted as part of the Contractor's Safety Plan.

Item 421 Hydraulic Cement Concrete –

The sand equivalent value of fine aggregate is not to be less than 85 when subjected to test method tex-203-F.

The Engineer will perform all job control testing for acceptance.

The Engineer will provide strength-testing equipment when required in accordance with the Contract-controlling tests.

Furnish and maintain the following testing equipment:

- ◆ Test Molds

All cast-in-place concrete except for drilled shafts are to be air-entrained. Pre-cast and drilled shaft concrete may be air-entrained at the Contractor's option.

Item 432 Riprap

24" tie bars (#3 bars at 18" c-c) are to be used across all construction joints. Tie bars should be 12" into each side of the construction joint. When tying new riprap into existing riprap drill and epoxy grout 8" minimum into existing concrete. This is to be considered subsidiary to the payment for riprap.

Item 502 Barricades, Signs, and Traffic Handling

The Contractor Force Account "Safety Contingency" that has been established for this project is intended to be utilized for work zone enhancements, to improve the effectiveness of the Traffic Control Plan, that could not be foreseen in the project planning and design stage. These enhancements will be mutually agreed upon by the Engineer and the Contractor's Responsible

Person based on weekly or more frequent traffic management reviews on the project. The Engineer may choose to use existing bid items if it does not slow the implementation of enhancement.

Temporary rumble strips will be required as shown on WZ(RS)-22 regardless of loose gravel, and/or soft or bleeding asphalt. Adjust the traffic control setup such that rumble strips are not placed in areas of heavily rutted pavements, unpaved surfaces, or horizontal curves. Temporary rumble strips will not be allowed on interstate highway.

The Contractor is to have the option of using either plastic drums, vertical panels, grabber cones or a combination where drums are shown as channelizing devices, as approved by the Engineer. Plastic drums are to be used in all transition areas in accordance with BC(8)-21 and WZ(TD)-17.

Any work being done above travel lanes will require the lanes to be closed for traffic safety.

Notify the Engineer 24 hours prior to any lane closure.

Item 506 Temporary Erosion, Sedimentation, and Environmental Controls

Erosion control devices are to be installed as needed in coordination with the work progress, or as directed by the Engineer.

Use wooden stakes to secure erosion control logs. Do not use rebar stakes.

Item 540 Metal Beam Guard Fence

Drive steel posts for metal beam guard fence a minimum of 1/3 of the post length to final specified depth.

Item 544 Guardrail End Treatments

Use Single Guardrail End Treatment (Ty III)(Steel Post).

Item 610 Roadway Illumination Assemblies

Furnish and install steel (not aluminum) roadway illumination poles. Fabricate roadway illumination assemblies in accordance with shop drawings approved by the department. Submit shop drawings for each project use pre-approved standard shop drawings.

Copies of the standard shop drawings are on file with traffic operations division, bridge division, and the materials section of construction division. Additional shop drawings for roadway illumination assemblies built in accordance with these drawings are not required. Pre-approved shop drawing manufacturers and assembly model numbers can be found at <https://www.txdot.gov/business/resources/materials/material-producer-list.html> Category is roadway illumination and electrical supplies.

For project specific special design shop drawings, furnish shop drawings of the complete assembly in accordance with item 441, "steel structures". Deliver shop drawings to the Engineer at the project address.

All Roadway Illumination assemblies removed from the project are considered unsalvageable materials including light fixtures, transformer bases, luminaire arms, assembly hardware and pole shafts and will become property of the contractor to accept ownership of the materials and dispose of in accordance with federal, state, and local regulations.

Item 613 High Mast Illumination Poles

High mast poles are specified by Item 613 and include the pole and anchor bolts. The poles must be fabricated at a plant listed on the MPL for High Mast Illumination Pole Fabrication Plants.

Item 614 High Mast Illumination Assemblies

Fabricate high mast ring assemblies in accordance with shop drawings approved by the department. Submit shop drawings for each project, or use pre-approved standard shop drawings.

For project specific shop drawings, furnish seven sets of drawings of the complete assembly in accordance with item 441, "steel structures". Deliver shop drawings to the director of traffic operations division, Texas Department of Transportation, 125 East 11th street, Austin, Texas 78701-2483.

To be eligible to use pre-approved standard shop drawings, the shop drawing must be submitted and approved by the department prior to use on the project. Deviation from the pre-approved standard shop drawing will require resubmission of the shop drawings. The Engineer may approve, in writing, the use of updated standard drawings in cases where the standard drawings have been updated and the updated version has been approved by the department.

For pre-approval and updates to previously approved standard shop drawings, furnish seven sets of drawings of the complete assembly in accordance with item 441, "steel structures" to the director of traffic operations division, Texas Department of Transportation, 125 East 11th street, Austin, Texas 78701-2483.

Copies of the standard shop drawings are on file with traffic operations division, bridge division, and the materials section of construction division. Additional shop drawings for high mast illumination assemblies built in accordance with these drawings are not required. Pre-approved shop drawing manufacturers and assembly model numbers can be found at <https://www.txdot.gov/business/resources/materials/material-producer-list.html> Category is roadway illumination and electrical supplies.

Item 618 Conduit

The locations of conduit as shown are for diagrammatic purposed only and may be varied to meet local conditions, subject to approval. Backfill all open trenches before the end of the workday and do not leave any trench open overnight.

Item 620 Electrical Conductors

Provide breakaway electrical connectors for breakaway poles. Use Bussman HEBW, Littlefuse LEB, Ferraz-Shawmut FEB, or equal on ungrounded conductors. For grounded conductors, use Bussman HET, Littlefuse LET, Ferraz-Shawmut FEBN, or equal. These breakaway connectors have a white colored marking and a permanently installed solid neutral. See the latest RID (2) standard for additional details.

Item 624 Ground Boxes

Do not place ground boxes in driveways or wheelchair ramps. Alternate ground box locations will be as directed.

Item 628 Electrical Services

Notify the utility company as soon as possible in order to minimize delay and coordinate the work necessary for the utility company to provide power.

The Contractor is responsible for submitting application(s) to applicable utility company which will be set up in the Contractor's name with 911 address(es) for service location(s). Costs and charges from the utility company will be paid by the Department in accordance with the standard specification.

Once the project is complete and accepted by the Department, the Department will transfer utility services into the Department's name using the corresponding 911 addresses and meter numbers.

Item 658 Delineator and Object Marker Assemblies

For all ground mount applications provide hollow or tubular posts embedded in concrete using plastic wedged anchor system.

For all concrete barrier, bridge rail, and guard fence post mounted applications provide hollow or tubular posts with approved anchorage.

Item 6001 Portable Changeable Message Sign

Supply 2 Portable Changeable Message Signs (Type II – Lamp Matrix) for this project. No payment will be made for removing and replacing damaged PCMS.

County: POTTER

Sheet: 3C

Highway: IH 40

Control: 0275-01-244

If the Contractor chooses to have more than one lane closure set-up at a time, provide additional PCMS in accordance with TCP at no additional charge to the department.

Item 6156 LED High Mast Assemblies

LED high mast light fixtures are specified by Special Specification 6156. SS 6156 includes all the other mechanical and electrical parts listed in Item 614, so for a LED high mast assembly, SS 6156 is used in place of Item 614.

TxDOT LED high mast luminaires use 6 fixtures to light the same area that is lit with 12 TxDOT HPS fixtures. They are designed to be a direct replacement for a 12 fixture HPS ring, and have the same distribution types A, B, and S.

Obstruction Lights are not required on the proposed High Mast Assemblies.

Item 6185 Truck Mounted Attenuator (TMA) and Trailer Attenuator (TA)

In addition to the shadow vehicles with truck mounted attenuator (TMA) that are specified as being required on the traffic control plan for this project, provide 0 additional shadow vehicle(s) with TMA for TCP (1-1)-18, (1-2)-18, (1-3)-18, (1-4)-18, (1-5)-18, (2-4)-18, (2-5)-18, (6-1)-12, (6-2)-12, (6-3)-12, (6-4)-12, (6-5)-12 as detailed on the General Notes of this standard sheets.

Therefore, 2 total shadow vehicles with TMA will be required for this type of work. The Contractor will be responsible for determining if one or more of these operations will be ongoing at the same time to determine the total number of TMAs needed for the project.



Estimate & Quantity Sheet

CONTROLLING PROJECT ID 0275-01-244

DISTRICT Amarillo
HIGHWAY IH 40

COUNTY Potter

CONTROL SECTION JOB				0275-01-244		TOTAL EST.	TOTAL FINAL
PROJECT ID				A00194884			
COUNTY				Potter			
HIGHWAY				IH 40			
ALT	BID CODE	DESCRIPTION	UNIT	EST.	FINAL		
	104-6009	REMOVING CONC (RIPRAP)	SY	193.000		193.000	
	164-6024	CELL FBR MLCH SEED(PERM)(RURAL)(CLAY)	AC	5.000		5.000	
	164-6053	DRILL SEEDING (TEMP)(WARM OR COOL)	AC	5.000		5.000	
	416-6026	DRILL SHAFT (HIGH MAST POLE) (60 IN)	LF	2,843.000		2,843.000	
	432-6001	RIPRAP (CONC)(4 IN)	CY	278.000		278.000	
	432-6045	RIPRAP (MOW STRIP)(4 IN)	CY	240.000		240.000	
	500-6001	MOBILIZATION	LS	1.000		1.000	
	502-6001	BARRICADES, SIGNS AND TRAFFIC HANDLING	MO	9.000		9.000	
	540-6002	MTL W-BEAM GD FEN (STEEL POST)	LF	2,425.000		2,425.000	
	540-6016	DOWNSTREAM ANCHOR TERMINAL SECTION	EA	20.000		20.000	
	542-6002	REMOVE TERMINAL ANCHOR SECTION	EA	1.000		1.000	
	542-6003	REMOVE DOWNSTREAM ANCHOR TERMINAL	EA	1.000		1.000	
	544-6001	GUARDRAIL END TREATMENT (INSTALL)	EA	20.000		20.000	
	610-6008	REMOVE RD IL ASM (CTB MOUNT)	EA	226.000		226.000	
	610-6009	REMOVE RD IL ASM (TRANS-BASE)	EA	57.000		57.000	
	610-6101	REPLACE LUMINAIRE W/LED (150W EQ)	EA	36.000		36.000	
	610-6102	REPLACE LUMINAIRE W/LED (250W EQ)	EA	55.000		55.000	
	610-6104	IN RD IL (U/P) (TY 1) (150W EQ) LED	EA	16.000		16.000	
	613-6004	HI MST IL POLE (125 FT)(100 MPH)	EA	11.000		11.000	
	613-6006	HI MST IL POLE (150 FT)(100 MPH)	EA	52.000		52.000	
	618-6046	CONDT (PVC) (SCH 80) (2")	LF	33,860.000		33,860.000	
	618-6047	CONDT (PVC) (SCH 80) (2") (BORE)	LF	12,275.000		12,275.000	
	618-6062	CONDT (RM) (3/4")	LF	520.000		520.000	
	618-6070	CONDT (RM) (2")	LF	490.000		490.000	
	620-6003	ELEC CONDR (NO.12) BARE	LF	520.000		520.000	
	620-6004	ELEC CONDR (NO.12) INSULATED	LF	1,040.000		1,040.000	
	620-6007	ELEC CONDR (NO.8) BARE	LF	34,545.000		34,545.000	
	620-6008	ELEC CONDR (NO.8) INSULATED	LF	69,090.000		69,090.000	
	620-6009	ELEC CONDR (NO.6) BARE	LF	13,265.000		13,265.000	
	620-6010	ELEC CONDR (NO.6) INSULATED	LF	26,530.000		26,530.000	
	624-6002	GROUND BOX TY A (122311)W/APRON	EA	123.000		123.000	
	624-6008	GROUND BOX TY C (162911)W/APRON	EA	39.000		39.000	
	628-6002	REMOVE ELECTRICAL SERVICES	EA	10.000		10.000	
	628-6045	ELC SRV TY A 240/480 060(NS)SS(E)SP(O)	EA	20.000		20.000	
	658-6061	INSTL DEL ASSM (D-SW)SZ 1(BRF)GF2	EA	51.000		51.000	
	690-6009	REMOVAL OF CABLES	LF	15,500.000		15,500.000	
	6001-6002	PORTABLE CHANGEABLE MESSAGE SIGN	EA	2.000		2.000	



Estimate & Quantity Sheet

CONTROLLING PROJECT ID 0275-01-244

DISTRICT Amarillo
HIGHWAY IH 40

COUNTY Potter

CONTROL SECTION JOB				0275-01-244		TOTAL EST.	TOTAL FINAL
PROJECT ID				A00194884			
COUNTY				Potter			
HIGHWAY				IH 40			
ALT	BID CODE	DESCRIPTION	UNIT	EST.	FINAL		
	6156-6002	LED HI MST IL ASM (6 FIXT)(ASYM)(TY A)	EA	48.000		48.000	
	6156-6009	LED HI MST IL AM(6 FIXT)ASYM(TY A)SHLD	EA	15.000		15.000	
	6185-6002	TMA (STATIONARY)	DAY	200.000		200.000	
	18	EROSION CONTROL MAINTENANCE: CONTRACTOR FORCE ACCOUNT WORK (PART)	LS	1.000		1.000	
		ELECTRICAL: CONTRACTOR FORCE ACCOUNT WORK (PARTICIPATING)	LS	1.000		1.000	
		SAFETY CONTINGENCY: CONTRACTOR FORCE ACCOUNT WORK (PARTICIPATING)	LS	1.000		1.000	

PLOTDRIVER: BW_HALF_PDF.plt
 PENTABLE: IH40_SWA1_penTable.tbl

USER: T_Cowser
 FILE: K:\01509\01509-0027-10_TxDOT_AMA_PS&E_IH_40_TRAFFIC_SWA1_Sheets\PO_SHT05_SWA1_SUMMARY_OF_QUANTITIES.dgn

DATE: 2/7/2024 9:46:50 AM

LOCATION	104	416	432	432	540	540	542	542	544	610	610	610	610	610	613	613	618	618	618
	6009	6026	6001	6045	6002	6016	6002	6003	6001	6008	6009	6101	6102	6104	6004	6006	6046	6047	6062
	REMOVING CONC (RIPRAP)	DRILL SHAFT (HIGH MAST POLE) (60 IN)	RIPRAP (CONC) (4 IN)	RIPRAP (MOW STRIP) (4 IN)	MTL W-BEAM GDFEN (STEEL POST)	DOWNSTREAM ANCHOR TERMINAL SECTION	REMOVE TERMINAL ANCHOR SECTION	REMOVE DOWNSTREAM ANCHOR TERMINAL	GUARDRAIL END TREATMENT (INSTALL)	REMOVE RD IL ASM (CTB MOUNT)	REMOVE RD IL ASM (TRANS-B ASE)	REPLACE LUMINAIRE W/LED (150W EQ)	REPLACE LUMINAIRE W/LED (250W EQ)	IN RD IL (U/P) (TY 1) (150W EQ) LED	HI MST IL POLE (125 FT) (100 MPH)	HI MST IL POLE (150 FT) (100 MPH)	CONDT (PVC) (SCH 80) (2")	CONDT (PVC) (SCH 80) (2" (BORE))	CONDT (RM) (3/4")
SY	LF	CY	CY	LF	EA	EA	EA	EA	EA	EA	EA	EA	EA	EA	EA	EA	LF	LF	LF
BEGIN PROJECT TO STA 667+00		46	3	6	100	1				2						1	235		
STA 667+00 to STA 678+50		46	3	5					1	6	2					1	220	445	
STA 678+50 to STA 691+00		46	3	14	175	1			1	4						1	2715	790	
STA 691+00 to STA 703+25		92	80	36	375	3			3	6	2					2	545	245	
STA 703+25 to STA 714+50		46	3	10	75	1			1	5						1	810		
STA 714+50 to STA 725+50		46	3	10	75	1			1	5	2					1	675	150	
STA 725+50 to STA 737+00		92	6	4					1	5						2	1060	490	
STA 737+00 to STA 749+00		92	6	7	100	1				5	1					2	1095	255	
STA 749+00 to STA 761+00		46	3							6	1					1	370		
STA 761+00 to STA 772+75		92	6							5						2	1170		
STA 772+75 to STA 783+00		46	3	12	125	1			1	5	2		1			1	775	420	
STA 783+00 to STA 791+00		46	3							4		8	1			1	265	265	
STA 791+00 to STA 799+25		46	3							3						1	885		
STA 799+25 to STA 811+25		92	6	12	125	1			1	6	2					2	880	340	
STA 811+25 to STA 819+00										3				8			70	60	200
STA 819+00 to STA 831+00		92	6	11	100	1			1	6						2	1070	465	
STA 831+00 to STA 843+00		46	3							5	2					1	455		
STA 843+00 to STA 855+00		46	3							5	2					1	550	525	
STA 855+00 to STA 863+00		46	3							3						1	935		
STA 863+00 to STA 871+00		46	3							3	2					1	10		
STA 871+00 to STA 883+00		92	6							5						2	435	760	
STA 883+00 to STA 895+00		92	6							9	13					2	610	485	
STA 895+00 to STA 907+00	32	46	3	14	175		1		1	5						1	740		
STA 907+00 to STA 919+00		92	6	18	246	2			1	6	1					2	625	290	
STA 919+00 to STA 931+00		46	3	7	29				1	5	3					1	610	480	
STA 931+00 to STA 943+00		92	6							6						2	1165		
STA 943+00 to STA 955+00		46	3							4	2	8				1	10	400	
STA 955+00 to STA 967+00		92	6	12	125	1			1	8	2					2	830	2000	
STA 967+00 to STA 979+00		46	3							8	1					1	10	235	
STA 999+00 to STA 1823+00		41	3							1	2			1			500		
STA 1823+00 to STA 1833+00		41	3							6				1			170	80	
STA 1833+00 to STA 1845+00		82	6							4				2			1315	270	
STA 1845+00 to STA 1857+00		46	3	4	25	1		1		6	2					1	480		
STA 1857+00 to STA 1869+00		46	3							6	1					1	360	380	
STA 1869+00 to STA 1881+00		92	6	17	100	1			2	5	3					2	1240	295	
STA 1881+00 to STA 1892+00		92	6	6	125	1				4						2	730		
STA 1892+00 to STA 1903+00		46	3	4					1	5	2					1	550	205	
STA 1903+00 to STA 1914+50		92	6	19	225	2			1	5						2	1915	540	
STA 1914+50 to STA 1925+00		46	3							4	2	12				1	715	170	
STA 1925+00 to STA 1934+50	161	46	18							3	2					1	510	435	
STA 1934+50 to STA 1945+00		92	6							5						2	790		
STA 1945+00 to STA 1954+00		41	3							2				1			460		
STA 1954+00 to STA 1963+00		41	3							4				1			1020	35	
STA 1963+00 to STA 1972+00		41	3							4	1			1			475	55	
STA 1972+00 to STA 1981+00		41	3							4				1			295		
STA 1981+00 to STA 1992+75		41	3	12	125	1			1	4	2			1			1325	255	
STA 1992+75 to STA 2004+75		82	6							5				2			905		
STA 2004+75 to STA 2017+00										1									
STA 2077+00 to STA 2089+00														8			280	455	320
STA 2101+00 to STA 2113+00													4						
STA 2113+00 to STA 2125+00													12						
STA 2125+00 to STA 2137+00												8	15						
STA 2137+00 to STA 2149+00													12						
STA 2149+00 to STA 2161+00													10						
PROJECT TOTALS	193	2,843	278	240	2425	20	1	1	20	226	57	36	55	16	11	52	33860	12275	520

NO.	DATE	REVISION	APPROVED



IH 40		
SUMMARY OF QUANTITIES		
SHEET 1 OF 2		
FED. RD. DIV. NO.	FEDERAL AID PROJECT NO.	HIGHWAY NO.
6	SEE TITLE SHEET	IH 40
STATE	DIST.	COUNTY
TEXAS	AMA	POTTER
CONT.	SECT.	JOB
0275	01	244
		5

DATE: 2/7/2024 9:46:50 AM
 USER: T_Cowser
 FILE: K:\01509\01509-0027-10_TxDOT_AMA_PS&E_IH_40_TRAFFIC\SWA1\Sheets\PO_SHT06_SWA1_SUMMARY_OF_QUANTITIES.dgn
 PLOT DRIVER: BW_HALF_PDF.plt
 PENTABLE: IH40_SWA1_penTable.tbl

LOCATION	618	620	620	620	620	620	620	624	624	628	628	658	690	6156	6156	
	6070	6003	6004	6007	6008	6009	6010	6002	6008	6002	6045	6061	6009	6002	6009	
	CONDR (RM) (2")	ELEC CONDR (NO. 12) BARE	ELEC CONDR (NO. 12) INSULATED	ELEC CONDR (NO. 8) BARE	ELEC CONDR (NO. 8) INSULATED	ELEC CONDR (NO. 6) BARE	ELEC CONDR (NO. 6) INSULATED	GROUND BOX TY A (122311) W/APRON	GROUND BOX TY C (162911) W/APRON	REMOVE ELECTRIC SERVICES	ELC SRV TY A 240/480 060(NS)S S(E)SP(O)	INSTR DEL ASSM (D-SW) SZ 1(BRF)GF2	REMOVAL OF CABLES	LED HI MST IL ASM (6 FIXT) (ASYM) (TY A)	LED HI MST IL AM (6 FIXT) (ASYM) (TY A) SHLD	
	LF	LF	LF	LF	LF	LF	LF	EA	EA	EA	EA	EA	LF	EA	EA	
BEGIN PROJECT TO STA 667+00				235	470			1				2		1		
STA 667+00 to STA 678+50				665	1330			4			1		220	1		
STA 678+50 to STA 691+00	50			1800	3600	1755	3510	3	5		1	4	225	1		
STA 691+00 to STA 703+25								790	1580	4		1	7	1215	2	
STA 703+25 to STA 714+50								810	1620	2			1	1		
STA 714+50 to STA 725+50								825	1650	3			1	800	1	
STA 725+50 to STA 737+00								1550	3100	3	2	1	1		2	
STA 737+00 to STA 749+00								1350	2700	4			2	205	2	
STA 749+00 to STA 761+00								370	740	2				90	1	
STA 761+00 to STA 772+75								1170	2340	3					2	
STA 772+75 to STA 783+00								1195	2390	3					310	1
STA 783+00 to STA 791+00				320	640	210	420	1	1	2	1			450	1	
STA 791+00 to STA 799+25				885	1770											1
STA 799+25 to STA 811+25				1220	2440			4	2		1	3	255			2
STA 811+25 to STA 819+00	280	200	400	410	820			1			1					
STA 819+00 to STA 831+00				1535	3070			3	2	1	1	2	155	1	1	
STA 831+00 to STA 843+00				455	910			2					245	1		
STA 843+00 to STA 855+00				1075	2150			2	2		1		280	1		
STA 855+00 to STA 863+00				935	1870			2						1		
STA 863+00 to STA 871+00				10	20			1		1			590	1		
STA 871+00 to STA 883+00				1195	2390			2	1		1			2		
STA 883+00 to STA 895+00				1095	2190			5					1880	2		
STA 895+00 to STA 907+00				740	1480			2				4	185			1
STA 907+00 to STA 919+00				915	1830			3	2	1	1	6	305			2
STA 919+00 to STA 931+00				295	590	795	1590	2	2		1		500	1		
STA 931+00 to STA 943+00				1165	2330			3								2
STA 943+00 to STA 955+00						410	820	2					290			1
STA 955+00 to STA 967+00				3410	6820			1	4	1	1	3	1720			2
STA 967+00 to STA 979+00				285	570			1	1				890			1
STA 999+00 to STA 1823+00				500	1000			1						1		
STA 1823+00 to STA 1833+00				250	500			3			1		270			1
STA 1833+00 to STA 1845+00				1585	3170			4	2		1		320	2		
STA 1845+00 to STA 1857+00				480	960			2					845	1		
STA 1857+00 to STA 1869+00				740	1480			2					730	1		
STA 1869+00 to STA 1881+00				230	460	1305	2610	5	2		1	2	455	2		
STA 1881+00 to STA 1892+00						730	1460	3				3		2		
STA 1892+00 to STA 1903+00				755	1510			3		1			525			1
STA 1903+00 to STA 1914+50				2455	4910			1	4		1	5		1	1	
STA 1914+50 to STA 1925+00				1450	2900			1	3				260	1		
STA 1925+00 to STA 1934+50				945	1890			2	2		1		460	1		
STA 1934+50 to STA 1945+00				790	1580			3						2		
STA 1945+00 to STA 1954+00				460	920			1						1		
STA 1954+00 to STA 1963+00				1055	2110			4		1			265	1		
STA 1963+00 to STA 1972+00				530	1060			4			1		280	1		
STA 1972+00 to STA 1981+00				295	590			1					85	1		
STA 1981+00 to STA 1992+75				1580	3160			4	2		1	3	195	1		
STA 1992+75 to STA 2004+75				905	1810			3						2		
STA 2004+75 to STA 2017+00																
STA 2017+00 to STA 2089+00	160	320	640	895	1790			5			1					
STA 2101+00 to STA 2113+00																
STA 2113+00 to STA 2125+00																
STA 2125+00 to STA 2137+00																
STA 2137+00 to STA 2149+00																
STA 2149+00 to STA 2161+00																
PROJECT TOTALS	490	520	1040	34545	69090	13265	26530	123	39	10	20	51	15500	48	15	

NO.	DATE	REVISION	APPROVED



**IH 40
SUMMARY OF QUANTITIES**

SHEET 2 OF 2		
FED. RD. DIV. NO.	FEDERAL AID PROJECT NO.	HIGHWAY NO.
6	SEE TITLE SHEET	IH 40
STATE	DIST.	COUNTY
TEXAS	AMA	POTTER
CONT.	SECT.	JOB
0275	01	244
		6

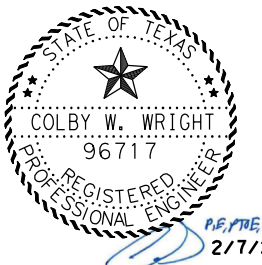
PLOTDRIVER: BW_HALF_PDF.plt
 PENTABLE: IH40_SWA1_perntable.tbl

USER: T_Cowser
 FILE: K:\01509\01509-002\7-10\TXDOT\AMA\PS&E\IH_40\TRAFFIC\SWA1\Sheet\SWA1_SERVICE_SUMMARY.dgn

DATE: 2/7/2024 9:46:51 AM
 FILE: K:\01509\01509-002\7-10\TXDOT\AMA\PS&E\IH_40\TRAFFIC\SWA1\Sheet\SWA1_SERVICE_SUMMARY.dgn

ELECTRICAL SERVICE DATA												
ELEC. SERVICE ID	ELECTRIC SERVICE DESCRIPTION	SERVICE CONDUIT SIZE	SERVICE CONDUCTORS NO./SIZE	SAFETY SWITCH AMPS	MAIN CIRCUIT BREAKER POLE/AMPS	TWO POLE CONTACTOR AMPS	PANEL BED/LOAD CENTER AMP RATING	BRANCH CIRCUIT ID	BRANCH CIRCUIT BREAKER POLE/AMPS	BRANCH CIRCUIT AMPS	KVA LOAD	
1	ELC SRV TY A 240/480 060 (NS) SS (E) SP (O)	1 1/2"	3/#6	N/A	2P/60	60	N/A	A - HMLP	2P/20	15	7.2	
2	ELC SRV TY A 240/480 060 (NS) SS (E) SP (O)	1 1/2"	3/#6	N/A	2P/60	60	N/A	A - HMLP	2P/20	7.5	12.1	
								B - HMLP	2P/20	15		
								C - SL & UPLF	2P/20	2.66		
3	ELC SRV TY A 240/480 060 (NS) SS (E) SP (O)	1 1/2"	3/#6	N/A	2P/60	60	N/A	A - HMLP	2P/40	30	25.2	
								B - HMLP	2P/30	22.5		
4	ELC SRV TY A 240/480 060 (NS) SS (E) SP (O)	1 1/2"	3/#2	N/A	2P/60	60	N/A	A - HMLP	2P/40	30	15.6	
								B - SL	2P/20	0.7		
								C - UPLF	2P/20	1.7		
5	ELC SRV TY A 240/480 060 (NS) SS (E) SP (O)	1 1/2"	3/#6	N/A	2P/60	60	N/A	A - HMLP	2P/20	15	10.8	
								B - HMLP	2P/20	7.5		
6	ELC SRV TY A 240/480 060 (NS) SS (E) SP (O)	1 1/2"	3/#6	N/A	2P/60	60	N/A	A - UPLF	2P/20	1.7	0.8	
7	ELC SRV TY A 240/480 060 (NS) SS (E) SP (O)	1 1/2"	3/#6	N/A	2P/60	60	N/A	A - HMLP	2P/20	15	10.8	
								B - HMLP	2P/20	7.5		
8	ELC SRV TY A 240/480 060 (NS) SS (E) SP (O)	1 1/2"	3/#6	N/A	2P/60	60	N/A	A - HMLP	2P/20	7.5	10.8	
								B - HMLP	2P/20	15		
9	ELC SRV TY A 240/480 060 (NS) SS (E) SP (O)	1 1/2"	3/#6	N/A	2P/60	60	N/A	A - HMLP	2P/20	7.5	14.4	
								B - HMLP	2P/30	22.5		
10	ELC SRV TY A 240/480 060 (NS) SS (E) SP (O)	1 1/2"	3/#6	N/A	2P/60	60	N/A	A - HMLP	2P/20	15	10.8	
								B - HMLP	2P/20	7.5		
11	ELC SRV TY A 240/480 060 (NS) SS (E) SP (O)	1 1/2"	3/#6	N/A	2P/60	60	N/A	A - HMLP	2P/20	7.5	14.4	
								B - HMLP	2P/30	22.5		
12	ELC SRV TY A 240/480 060 (NS) SS (E) SP (O)	1 1/2"	3/#6	N/A	2P/60	60	N/A	A - HMLP	2P/20	15	14.1	
								B - HMLP	2P/20	7.5		
								C - UPLF	2P/20	1.7		
								D - UPLF	2P/20	5.1		
13	ELC SRV TY A 240/480 060 (NS) SS (E) SP (O)	1 1/2"	3/#6	N/A	2P/60	60	N/A	A - HMLP	2P/20	15	7.2	
14	ELC SRV TY A 240/480 060 (NS) SS (E) SP (O)	1 1/2"	3/#6	N/A	2P/60	60	N/A	A - HMLP	2P/20	7.5	10.8	
								B - HMLP	2P/20	15		
15	ELC SRV TY A 240/480 060 (NS) SS (E) SP (O)	1 1/2"	3/#6	N/A	2P/60	60	N/A	A - HMLP	2P/20	15	18.0	
								B - HMLP	2P/30	22.5		
16	ELC SRV TY A 240/480 060 (NS) SS (E) SP (O)	1 1/2"	3/#6	N/A	2P/60	60	N/A	A - HMLP	2P/20	15	15.6	
								B - HMLP	2P/20	15		
								C - UPLF	2P/20	2.5		
17	ELC SRV TY A 240/480 060 (NS) SS (E) SP (O)	1 1/2"	3/#6	N/A	2P/60	60	N/A	A - HMLP	2P/20	7.5	10.8	
								B - HMLP	2P/20	15		
18	ELC SRV TY A 240/480 060 (NS) SS (E) SP (O)	1 1/2"	3/#6	N/A	2P/60	60	N/A	A - HMLP	2P/30	22.5	10.8	
19	ELC SRV TY A 240/480 060 (NS) SS (E) SP (O)	1 1/2"	3/#6	N/A	2P/60	60	N/A	A - HMLP	2P/20	15	14.4	
								B - HMLP	2P/20	15		
20	ELC SRV TY A 240/480 060 (NS) SS (E) SP (O)	1 1/2"	3/#6	N/A	2P/60	60	N/A	A - UPLF	2P/20	1.7	0.8	

NO.	DATE	REVISION	APPROVED



**IH 40
ELECTRICAL SERVICES SUMMARY**

SHEET 1 OF 1

FED. RD. DIV. NO.	FEDERAL AID PROJECT NO.	HIGHWAY NO.
6	SEE TITLE SHEET	IH 40
STATE	DIST.	COUNTY
TEXAS	AMA	POTTER
CONT.	SECT.	JOB
0275	01	244

DATE: 2/7/2024 9:46:51 AM
 FILE: K:\01509\01509-0027-10 TxDOT AMA PS&E IH 40\TRAFFIC\SWA1\Standards\bc-21.dgn
 DISCLAIMER: The use of this standard is governed by the "Texas Engineering Practice Act". No warranty of any kind is made by TxDOT for any purpose whatsoever. TxDOT assumes no responsibility for the conversion of this standard to other formats or for incorrect results or damages resulting from its use.

BARRICADE AND CONSTRUCTION (BC) STANDARD SHEETS GENERAL NOTES:

- The Barricade and Construction Standard Sheets (BC sheets) are intended to show typical examples for placement of temporary traffic control devices, construction pavement markings, and typical work zone signs. The information contained in these sheets meet or exceed the requirements shown in the "Texas Manual on Uniform Traffic Control Devices" (TMUTCD).
- The development and design of the Traffic Control Plan (TCP) is the responsibility of the Engineer.
- The Contractor may propose changes to the TCP that are signed and sealed by a licensed professional engineer for approval. The Engineer may develop, sign and seal Contractor proposed changes.
- The Contractor is responsible for installing and maintaining the traffic control devices as shown in the plans. The Contractor may not move or change the approximate location of any device without the approval of the Engineer.
- Geometric design of lane shifts and detours should, when possible, meet the applicable design criteria contained in manuals such as the American Association of State Highway and Transportation Officials (AASHTO), "A Policy on Geometric Design of Highways and Streets," the TxDOT "Roadway Design Manual" or engineering judgment.
- When projects abut, the Engineer(s) may omit the END ROAD WORK, TRAFFIC FINES DOUBLE, and other advance warning signs if the signing would be redundant and the work areas appear continuous to the motorists. If the adjacent project is completed first, the Contractor shall erect the necessary warning signs as shown on these sheets, the TCP sheets or as directed by the Engineer. The BEGIN ROAD WORK NEXT X MILES sign shall be revised to show appropriate work zone distance.
- The Engineer may require duplicate warning signs on the median side of divided highways where median width will permit and traffic volumes justify the signing.
- All signs shall be constructed in accordance with the details found in the "Standard Highway Sign Designs for Texas," latest edition. Sign details not shown in this manual shall be shown in the plans or the Engineer shall provide a detail to the Contractor before the sign is manufactured.
- The temporary traffic control devices shown in the illustrations of the BC sheets are examples. As necessary, the Engineer will determine the most appropriate traffic control devices to be used.
- Where highway construction or maintenance work is being undertaken, other than mobile operations as defined by the Texas Manual on Uniform Traffic Control Devices, CSJ limit signs are required. CSJ limit signs are shown on BC(2). The OBEY WARNING SIGNS STATE LAW sign, STAY ALERT TALK OR TEXT LATER and the WORK ZONE TRAFFIC FINES DOUBLE sign with plaque shall be erected in advance of the CSJ limits. The BEGIN ROAD WORK NEXT X MILES, CONTRACTOR and END ROAD WORK signs shall be erected at or near the CSJ limits. For mobile operations, CSJ limit signs are not required.
- Traffic control devices should be in place only while work is actually in progress or a definite need exists.
- The Engineer has the final decision on the location of all traffic control devices.
- Inactive equipment and work vehicles, including workers' private vehicles must be parked away from travel lanes. They should be as close to the right-of-way line as possible, or located behind a barrier or guardrail, or as approved by the Engineer.

WORKER SAFETY NOTES:



- Workers on foot who are exposed to traffic or to construction equipment within the right-of-way shall wear high-visibility safety apparel meeting the requirements of ISEA "American National Standard for High-Visibility Apparel," or equivalent revisions, and labeled as ANSI 107-2004 standard performance for Class 2 or 3 risk exposure. Class 3 garments should be considered for high traffic volume work areas or night time work.
- Except in emergency situations, flagger stations shall be illuminated when flagging is used at night.

COMPLIANT WORKZONE TRAFFIC CONTROL DEVICES

- Only pre-qualified products shall be used. The "Compliant Work Zone Traffic Control Devices List" (CWZTCD) describes pre-qualified products and their sources.
- Work zone traffic control devices shall be compliant with the Manual for Assessing safety Hardware (MASH).

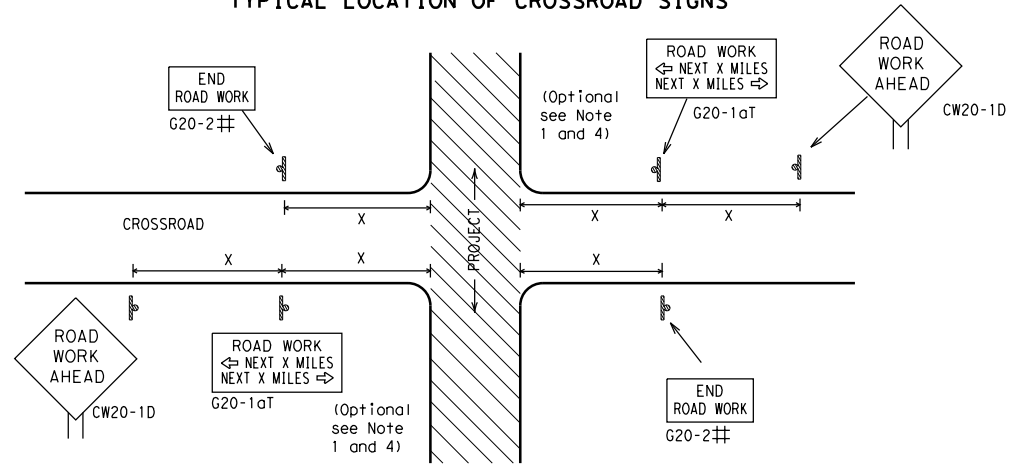
THE DOCUMENTS BELOW CAN BE FOUND ON-LINE AT http://www.txdot.gov
COMPLIANT WORK ZONE TRAFFIC CONTROL DEVICES LIST (CWZTCD)
DEPARTMENTAL MATERIAL SPECIFICATIONS (DMS)
MATERIAL PRODUCER LIST (MPL)
ROADWAY DESIGN MANUAL - SEE "MANUALS (ONLINE MANUALS)"
STANDARD HIGHWAY SIGN DESIGNS FOR TEXAS (SHSD)
TEXAS MANUAL ON UNIFORM TRAFFIC CONTROL DEVICES (TMUTCD)
TRAFFIC ENGINEERING STANDARD SHEETS

SHEET 1 OF 12

 Texas Department of Transportation		 Traffic Safety Division Standard	
BARRICADE AND CONSTRUCTION GENERAL NOTES AND REQUIREMENTS			
BC (1) - 21			
FILE: bc-21.dgn	DN: TxDOT	CK: TxDOT	DW: TxDOT
© TxDOT November 2002	CONT	SECT	JOB
	0275	01	244
4-03 7-13			
9-07 8-14			
5-10 5-21			
	DIST	COUNTY	SHEET NO.
	AMA	POTTER	8

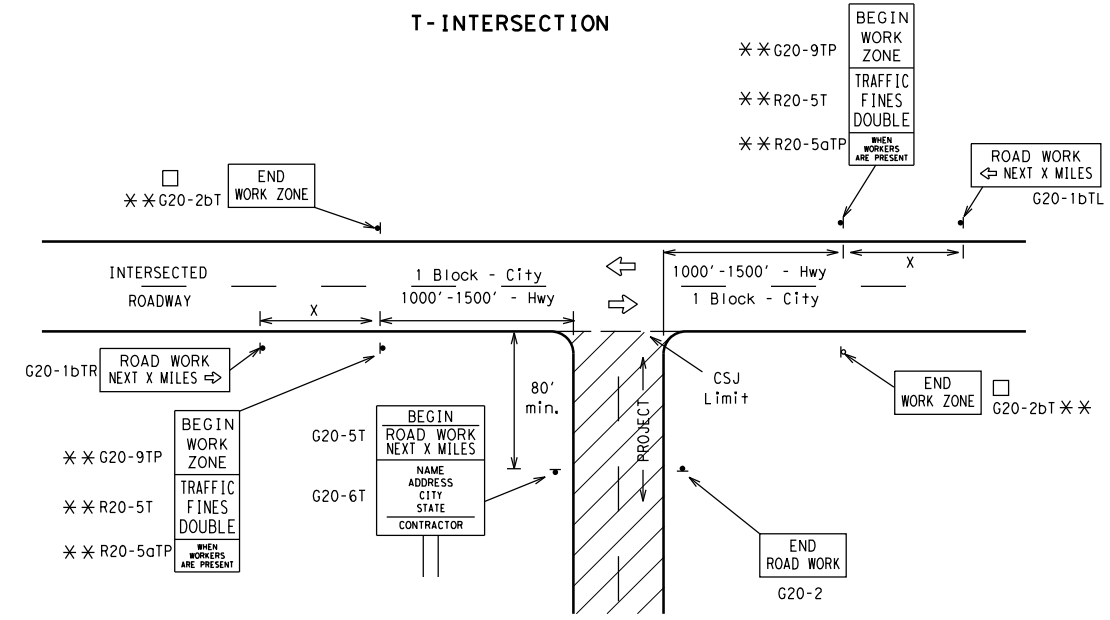
DATE: 2/7/2024 9:46:52 AM
 FILE: K:\01509\01509-0027-10 TxDOT AMA PS&E_IH_40\TRAFFIC\SWA1\Standards\bc-21.dgn
 The use of this standard is governed by the "Texas Engineering Practice Act". No warranty of any kind is made by TxDOT for any purpose whatsoever. TxDOT assumes no responsibility for the conversion of this standard to other formats or for incorrect results or damages resulting from its use.

TYPICAL LOCATION OF CROSSROAD SIGNS



- ## May be mounted on back of "ROAD WORK AHEAD" (CW20-1D) sign with approval of Engineer. (See note 2 below)
- The typical minimum signing on a crossroad approach should be a "ROAD WORK AHEAD" (CW20-1D) sign and a (G20-2) "END ROAD WORK" sign, unless noted otherwise in plans.
 - The Engineer may use the reduced size 36" x 36" ROAD WORK AHEAD (CW20-1D) sign mounted back to back with the reduced size 36" x 18" "END ROAD WORK" (G20-2) sign on low volume crossroads (see Note 4 under "Typical Construction Warning Sign Size and Spacing"). See the "Standard Highway Sign Designs for Texas" manual for sign details. The Engineer may omit the advance warning signs on low volume crossroads. The Engineer will determine whether a road is low volume as per TMUTCD Part 5. This information shall be shown in the plans.
 - Based on existing field conditions, the Engineer/Inspector may require additional signs such as FLAGGER AHEAD, LOOSE GRAVEL, or other appropriate signs. When additional signs are required, these signs will be considered part of the minimum requirements. The Engineer/Inspector will determine the proper location and spacing of any sign not shown on the BC sheets, Traffic Control Plan sheets or the Work Zone Standard Sheets.
 - The "ROAD WORK NEXT X MILES" (G20-1aT) sign shall be required at high volume crossroads to advise motorists of the length of construction in either direction from the intersection. The Engineer will determine whether a roadway is considered high volume.
 - Additional traffic control devices may be shown elsewhere in the plans for higher volume crossroads.
 - When work occurs in the intersection area, appropriate traffic control devices, as shown elsewhere in the plans or as determined by the Engineer/Inspector, shall be in place.

T-INTERSECTION



CSJ LIMITS AT T-INTERSECTION

- The Engineer will determine the types and location of any additional traffic control devices, such as a flagger and accompanying signs, or other signs, that should be used when work is being performed at or near an intersection.
- If construction closes the road at a T-intersection, the Contractor shall place the "CONTRACTOR NAME" (G20-6T) sign behind the Type 3 Barricades for the road closure (see BC(10) also). The "ROAD WORK NEXT X MILES" left arrow (G20-1bTL) and "ROAD WORK NEXT X MILES" right arrow (G20-1bTR) signs shall be replaced by the detour signing called for in the plans.

TYPICAL CONSTRUCTION WARNING SIGN SIZE AND SPACING^{1,5,6}

Sign Number or Series	SIZE		SPACING	
	Conventional Road	Expressway/Freeway	Posted Speed MPH	Sign Δ Spacing "x" Feet (Apprx.)
CW20 ⁴	48" x 48"	48" x 48"	30	120
CW21			35	160
CW22			40	240
CW23			45	320
CW25			50	400
CW1, CW2, CW7, CW8, CW9, CW11, CW14	36" x 36"	48" x 48"	55	500 ²
CW3, CW4, CW5, CW6, CW8-3, CW10, CW12	48" x 48"	48" x 48"	60	600 ²
			65	700 ²
			70	800 ²
			75	900 ²
			80	1000 ²
			*	* ³

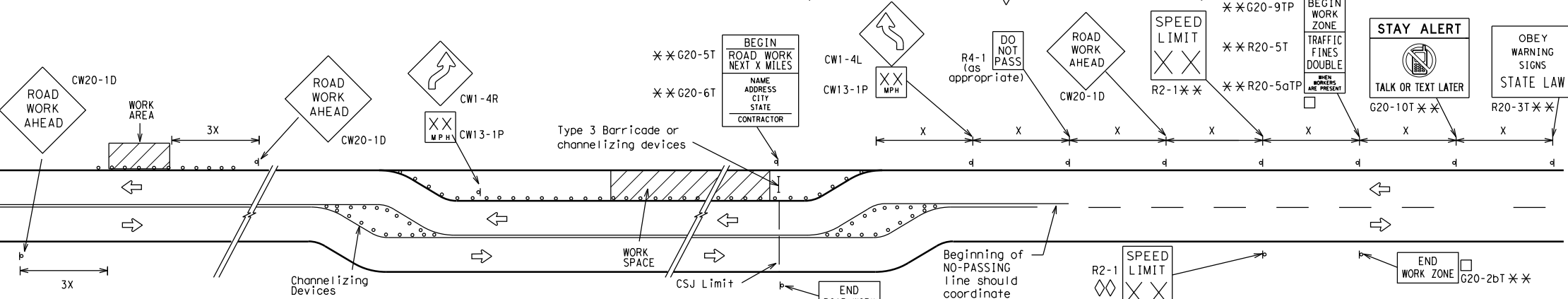
* For typical sign spacings on divided highways, expressways and freeways, see Part 6 of the "Texas Manual on Uniform Traffic Control Devices" (TMUTCD) typical application diagrams or TCP Standard Sheets.

Δ Minimum distance from work area to first Advance Warning sign nearest the work area and/or distance between each additional sign.

GENERAL NOTES

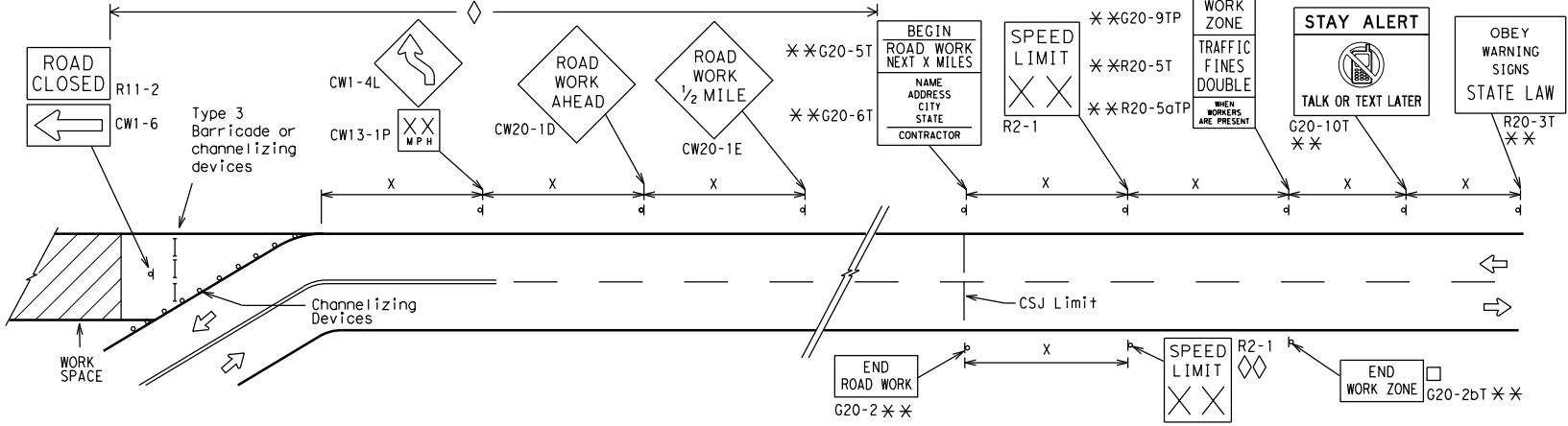
- Special or larger size signs may be used as necessary.
- Distance between signs should be increased as required to have 1500 feet advance warning.
- Distance between signs should be increased as required to have 1/2 mile or more advance warning.
- 36" x 36" "ROAD WORK AHEAD" (CW20-1D) signs may be used on low volume crossroads at the discretion of the Engineer as per TMUTCD Part 5. See Note 2 under "Typical Location of Crossroad Signs".
- Only diamond shaped warning sign sizes are indicated.
- See sign size listing in "TMUTCD", Sign Appendix or the "Standard Highway Sign Designs for Texas" manual for complete list of available sign design sizes.

WORK AREAS IN MULTIPLE LOCATIONS WITHIN CSJ LIMITS

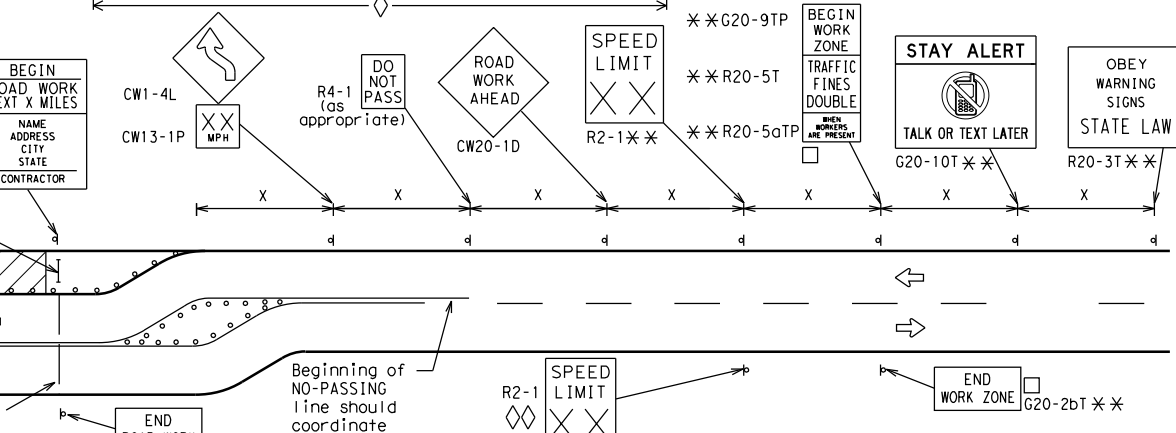


When extended distances occur between minimal work spaces, the Engineer/Inspector should ensure additional "ROAD WORK AHEAD" (CW20-1D) signs are placed in advance of these work areas to remind drivers they are still within the project limits. See the applicable TCP sheets for exact location and spacing of signs and channelizing devices.

SAMPLE LAYOUT OF SIGNING FOR WORK BEGINNING DOWNSTREAM OF THE CSJ LIMITS



SAMPLE LAYOUT OF SIGNING FOR WORK BEGINNING AT THE CSJ LIMITS



NOTES

- The Contractor shall determine the appropriate distance to be placed on the G20-1 series signs and "BEGIN ROAD WORK NEXT X MILES" (G20-5T) sign for each specific project. This distance shall replace the "x" and shall be rounded to the nearest whole mile with the approval of the Engineer. No decimals shall be used.
- The "BEGIN WORK ZONE" (G20-9TP) and "END WORK ZONE" (G20-2bT) shall be used as shown on the sample layout when advance signs are required outside the CSJ Limits. They inform the motorist of entering or leaving a part of the work zone lying outside the CSJ Limits where traffic fines may double if workers are present.
- CSJ limit signing is required for highway construction and maintenance work, with the exception of mobile operations.
- Area for placement of "ROAD WORK AHEAD" (CW20-1D) sign and other signs or devices as called for on the Traffic Control Plan.
- Contractor will install a regulatory speed limit sign at the end of the work zone.

LEGEND

—	Type 3 Barricade
○ ○ ○	Channelizing Devices
■	Sign
X	See Typical Construction Warning Sign Size and Spacing chart or the TMUTCD for sign spacing requirements.

SHEET 2 OF 12



BARRICADE AND CONSTRUCTION PROJECT LIMIT

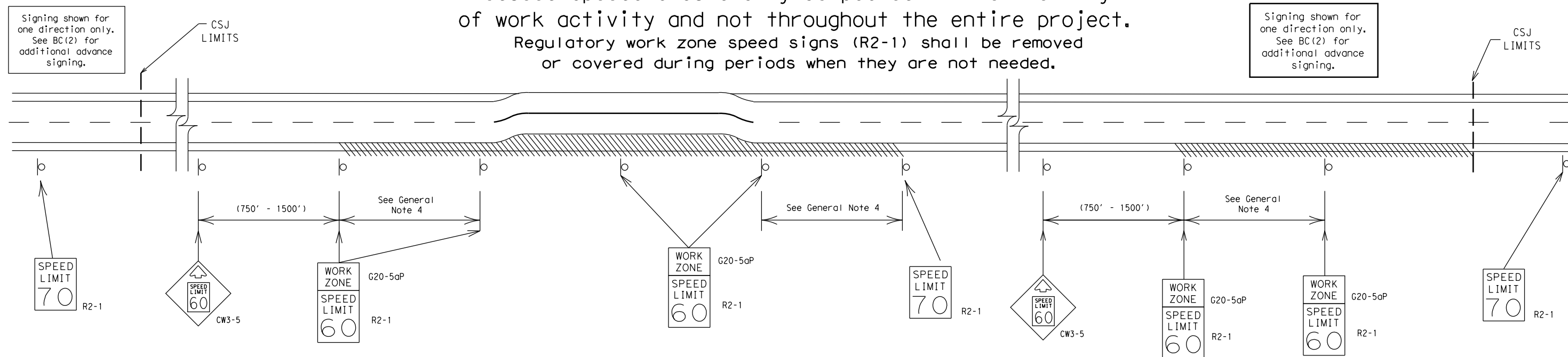
BC (2) - 21

FILE: bc-21.dgn	DN: TxDOT	CK: TxDOT	DW: TxDOT	CK: TxDOT
© TxDOT November 2002	CONT	SECT	JOB	HIGHWAY
REVISIONS	0275	01	244	IH 40
9-07 8-14	DIST	COUNTY	SHEET NO.	
7-13 5-21	AMA	POTTER	9	

TYPICAL APPLICATION OF WORK ZONE SPEED LIMIT SIGNS

Work zone speed limits shall be regulatory, established in accordance with the "Procedures for Establishing Speed Zones," and approved by the Texas Transportation Commission, or by City Ordinance when within Incorporated City Limits.

Reduced speeds should only be posted in the vicinity of work activity and not throughout the entire project. Regulatory work zone speed signs (R2-1) shall be removed or covered during periods when they are not needed.



GUIDANCE FOR USE:

LONG/INTERMEDIATE TERM WORK ZONE SPEED LIMITS

This type of work zone speed limit should be included on the design of the traffic control plans when restricted geometrics with a lower design speed are present in the work zone and modification of the geometrics to a higher design speed is not feasible.

Long/Intermediate Term Work Zone Speed Limit signs, when approved as described above, should be posted and visible to the motorist when work activity is present. Work activity may also be defined as a change in the roadway that requires a reduced speed for motorists to safely negotiate the work area, including:

- rough road or damaged pavement surface
- substantial alteration of roadway geometrics (diversions)
- construction detours
- grade
- width
- other conditions readily apparent to the driver

As long as any of these conditions exist, the work zone speed limit signs should remain in place.

SHORT TERM WORK ZONE SPEED LIMITS

This type of work zone speed limit may be included on the design of the traffic control plans when workers or equipment are not behind concrete barrier, when work activity is within 10 feet of the traveled way or actually in the traveled way.

Short Term Work Zone Speed Limit signs should be posted and visible to the motorists only when work activity is present. When work activity is not present, signs shall be removed or covered. (See Removing or Covering on BC(4)).

GENERAL NOTES

- Regulatory work zone speed limits should be used only for sections of construction projects where speed control is of major importance.
- Regulatory work zone speed limit signs shall be placed on supports at a 7 foot minimum mounting height.
- Speed zone signs are illustrated for one direction of travel and are normally posted for each direction of travel.
- Frequency of work zone speed limit signs should be:

40 mph and greater	0.2 to 2 miles
35 mph and less	0.2 to 1 mile
- Regulatory speed limit signs shall have black legend and border on a white reflective background (See "Reflective Sheeting" on BC(4)).
- Fabrication, erection and maintenance of the "ADVANCE SPEED LIMIT" (CW3-5) sign, "WORK ZONE" (G20-5aP) plaque and the "SPEED LIMIT" (R2-1) signs shall not be paid for directly, but shall be considered subsidiary to Item 502.
- Turning signs from view, laying signs over or down will not be allowed, unless as otherwise noted under "REMOVING OR COVERING" on BC(4).
- Techniques that may help reduce traffic speeds include but are not limited to:
 - Law enforcement.
 - Flagger stationed next to sign.
 - Portable changeable message sign (PCMS).
 - Low-power (drone) radar transmitter.
 - Speed monitor trailers or signs.
- Speeds shown on details above are for illustration only. Work Zone Speed Limits should only be posted as approved for each project.
- For more specific guidance concerning the type of work, work zone conditions and factors impacting allowable regulatory construction speed zone reduction see TxDOT form #1204 in the TxDOT e-form system.

DISCLAIMER: The use of this standard is governed by the "Texas Engineering Practice Act". No warranty of any kind is made by TxDOT for any purpose whatsoever. TxDOT assumes no responsibility for the conversion of this standard to other formats or for incorrect results or damages resulting from its use.

DATE: 2/7/2024 9:46:52 AM
 FILE: K:\01509\01509-0027-10 TxDOT AMA PS&E IH 40 TRAFFIC\SWA1\Standards\BC(3)-21.dgn

SHEET 3 OF 12



BARRICADE AND CONSTRUCTION WORK ZONE SPEED LIMIT

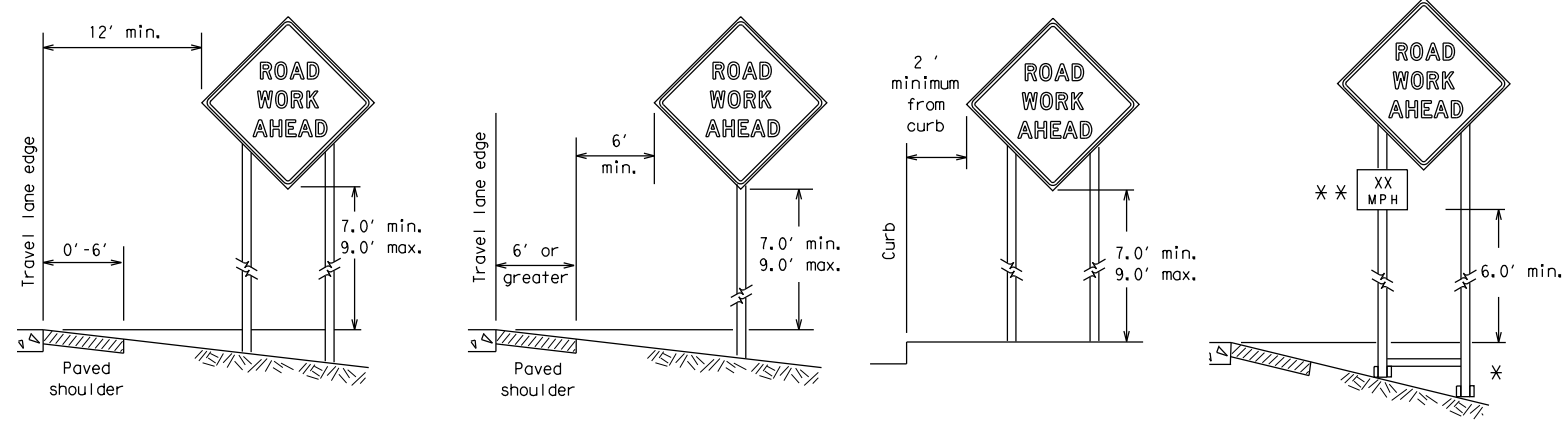
BC (3) - 21

FILE:	bc-21.dgn	DN: TxDOT	CK: TxDOT	DW: TxDOT	CK: TxDOT
© TxDOT	November 2002	CONT	SECT	JOB	HIGHWAY
REVISIONS		0275	01	244	IH 40
9-07	8-14	DIST	COUNTY	SHEET NO.	
7-13	5-21	AMA	POTTER	10	

DISCLAIMER: The use of this standard is governed by the "Texas Engineering Practice Act". No warranty of any kind is made by TxDOT for any purpose whatsoever. TxDOT assumes no responsibility for the conversion of this standard to other formats or for incorrect results or damages resulting from its use.

DATE: 2/7/2024 9:46:52 AM
 FILE: K:\01509\01509-0027-10 TxDOT AMA PS&E_IH_40\TRAFFIC\SWA1\Standards\bc-21 (4).dgn

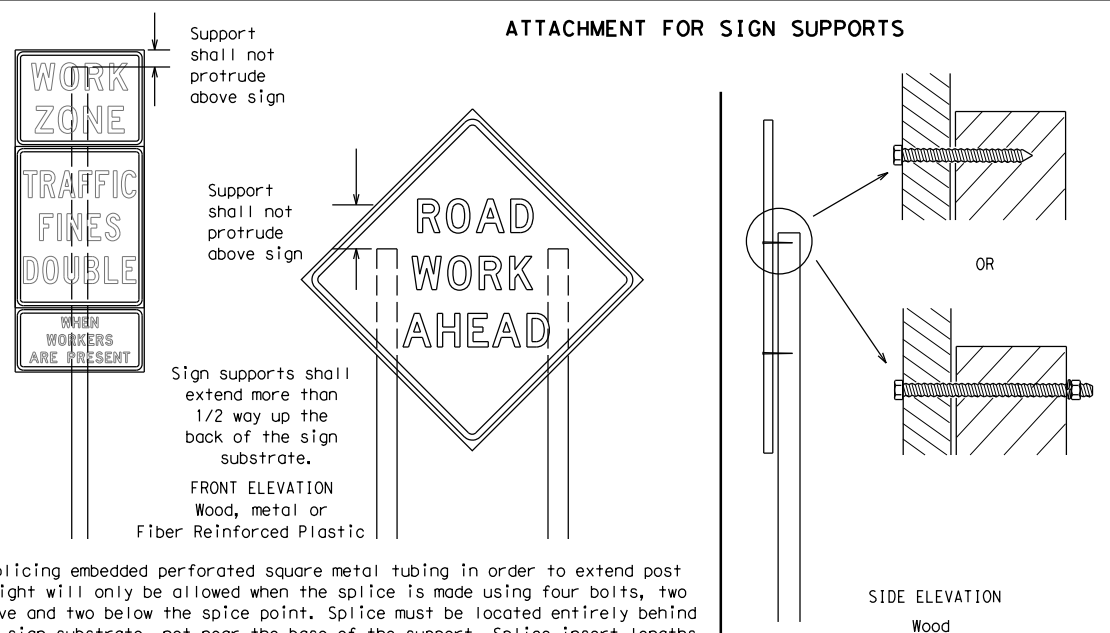
TYPICAL MINIMUM CLEARANCES FOR LONG TERM AND INTERMEDIATE TERM SIGNS



* When placing skid supports on unlevel ground, the leg post lengths must be adjusted so the sign appears straight and plumb. Objects shall NOT be placed under skids as a means of leveling.

** When plaques are placed on dual-leg supports, they should be attached to the upright nearest the travel lane. Supplemental plaques (advisory or distance) should not cover the surface of the parent sign.

ATTACHMENT FOR SIGN SUPPORTS



Splicing embedded perforated square metal tubing in order to extend post height will only be allowed when the splice is made using four bolts, two above and two below the splice point. Splice must be located entirely behind the sign substrate, not near the base of the support. Splice insert lengths should be at least 5 times nominal post size, centered on the splice and of at least the same gauge material.

GENERAL NOTES FOR WORK ZONE SIGNS

- Contractor shall install and maintain signs in a straight and plumb condition and/or as directed by the Engineer.
- Wooden sign posts shall be painted white.
- Barricades shall NOT be used as sign supports.
- All signs shall be installed in accordance with the plans or as directed by the Engineer. Signs shall be used to regulate, warn, and guide the traveling public safely through the work zone.
- The Contractor may furnish either the sign design shown in the plans or in the "Standard Highway Sign Designs for Texas" (SHSD). The Engineer/Inspector may require the Contractor to furnish other work zone signs that are shown in the TMUTCD but may have been omitted from the plans. Any variation in the plans shall be documented by written agreement between the Engineer and the Contractor's Responsible Person. All changes must be documented in writing before being implemented. This can include documenting the changes in the Inspector's TxDOT diary and having both the Inspector and Contractor initial and date the agreed upon changes.
- The Contractor shall furnish sign supports listed in the "Compliant Work Zone Traffic Control Device List" (CWZTCD) for small roadside signs. Supports for temporary large roadside signs shall meet the requirements detailed on the Temporary Large Roadside Signs (TLRS) standard sheets. The Contractor shall install the sign support in accordance with the manufacturer's recommendations. If there is a question regarding installation procedures, the Contractor shall furnish the Engineer a copy of the manufacturer's installation recommendations so the Engineer can verify the correct procedures are being followed.
- The Contractor is responsible for installing signs on approved supports and replacing signs with damaged or cracked substrates and/or damaged or marred reflective sheeting as directed by the Engineer/Inspector.
- Identification markings may be shown only on the back of the sign substrate. The maximum height of letters and/or company logos used for identification shall be 1 inch.
- The Contractor shall replace damaged wood posts. New or damaged wood sign posts shall not be spliced.

DURATION OF WORK (as defined by the "Texas Manual on Uniform Traffic Control Devices" Part 6)

- The types of sign supports, sign mounting height, the size of signs, and the type of sign substrates can vary based on the type of work being performed. The Engineer is responsible for selecting the appropriate size sign for the type of work being performed. The Contractor is responsible for ensuring the sign support, sign mounting height and substrate meets manufacturer's recommendations in regard to crashworthiness and duration of work requirements.
 - Long-term stationary - work that occupies a location more than 3 days.
 - Intermediate-term stationary - work that occupies a location more than one daylight period up to 3 days, or nighttime work lasting more than one hour.
 - Short-term stationary - daytime work that occupies a location for more than 1 hour in a single daylight period.
 - Short, duration - work that occupies a location up to 1 hour.
 - Mobile - work that moves continuously or intermittently (stopping for up to approximately 15 minutes.)

SIGN MOUNTING HEIGHT

- The bottom of Long-term/Intermediate-term signs shall be at least 7 feet, but not more than 9 feet, above the paved surface, except as shown for supplemental plaques mounted below other signs.
- The bottom of Short-term/Short Duration signs shall be a minimum of 1 foot above the pavement surface but no more than 2 feet above the ground.
- Long-term/Intermediate-term Signs may be used in lieu of Short-term/Short Duration signing.
- Short-term/Short Duration signs shall be used only during daylight and shall be removed at the end of the workday or raised to appropriate Long-term/Intermediate sign height.
- Regulatory signs shall be mounted at least 7 feet, but not more than 9 feet, above the paved surface regardless of work duration.

SIZE OF SIGNS

- The Contractor shall furnish the sign sizes shown on BC (2) unless otherwise shown in the plans or as directed by the Engineer.

SIGN SUBSTRATES

- The Contractor shall ensure the sign substrate is installed in accordance with the manufacturer's recommendations for the type of sign support that is being used. The CWZTCD lists each substrate that can be used on the different types and models of sign supports.
- "Mesh" type materials are NOT an approved sign substrate, regardless of the tightness of the weave.
- All wooden individual sign panels fabricated from 2 or more pieces shall have one or more plywood cleat, 1/2" thick by 6" wide, fastened to the back of the sign and extending fully across the sign. The cleat shall be attached to the back of the sign using wood screws that do not penetrate the face of the sign panel. The screws shall be placed on both sides of the splice and spaced at 6" centers. The Engineer may approve other methods of splicing the sign face.

REFLECTIVE SHEETING

- All signs shall be retroreflective and constructed of sheeting meeting the color and retro-reflectivity requirements of DMS-8300 for rigid signs or DMS-8310 for roll-up signs. The web address for DMS specifications is shown on BC(1).
- White sheeting, meeting the requirements of DMS-8300 Type A, shall be used for signs with a white background.
- Orange sheeting, meeting the requirements of DMS-8300 Type B_{FL} or Type C_{FL}, shall be used for rigid signs with orange backgrounds.

SIGN LETTERS

- All sign letters and numbers shall be clear, and open rounded type uppercase alphabet letters as approved by the Federal Highway Administration (FHWA) and as published in the "Standard Highway Sign Design for Texas" manual. Signs, letters and numbers shall be of first class workmanship in accordance with Department Standards and Specifications.

REMOVING OR COVERING

- When sign messages may be confusing or do not apply, the signs shall be removed or completely covered.
- Long-term stationary or intermediate stationary signs installed on square metal tubing may be turned away from traffic 90 degrees when the sign message is not applicable. This technique may not be used for signs installed in the median of divided highways or near any intersections where the sign may be seen from approaching traffic.
- Signs installed on wooden skids shall not be turned at 90 degree angles to the roadway. These signs should be removed or completely covered when not required.
- When signs are covered, the material used shall be opaque, such as heavy mil black plastic, or other materials which will cover the entire sign face and maintain their opaque properties under automobile headlights at night, without damaging the sign sheeting.
- Burlap shall NOT be used to cover signs.
- Duct tape or other adhesive material shall NOT be affixed to a sign face.
- Signs and anchor stubs shall be removed and holes backfilled upon completion of work.

SIGN SUPPORT WEIGHTS

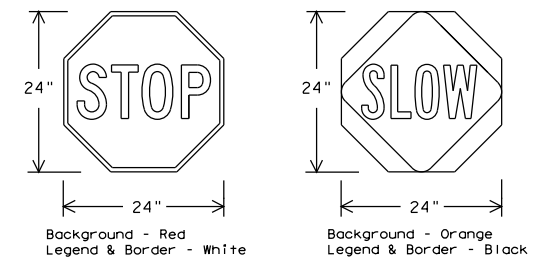
- Where sign supports require the use of weights to keep from turning over, the use of sandbags with dry, cohesionless sand should be used.
- The sandbags will be tied shut to keep the sand from spilling and to maintain a constant weight.
- Rock, concrete, iron, steel or other solid objects shall not be permitted for use as sign support weights.
- Sandbags should weigh a minimum of 35 lbs and a maximum of 50 lbs.
- Sandbags shall be made of a durable material that tears upon vehicular impact. Rubber (such as tire inner tubes) shall NOT be used.
- Rubber ballasts designed for channelizing devices should not be used for ballast on portable sign supports. Sign supports designed and manufactured with rubber bases may be used when shown on the CWZTCD list.
- Sandbags shall only be placed along or laid over the base supports of the traffic control device and shall not be suspended above ground level or hung with rope, wire, chains or other fasteners. Sandbags shall be placed along the length of the skids to weigh down the sign support.
- Sandbags shall NOT be placed under the skid and shall not be used to level sign supports placed on slopes.

FLAGS ON SIGNS

- Flags may be used to draw attention to warning signs. When used, the flag shall be 16 inches square or larger and shall be orange or fluorescent red-orange in color. Flags shall not be allowed to cover any portion of the sign face.

STOP/SLOW PADDLES

- STOP/SLOW paddles are the primary method to control traffic by flaggers. The STOP/SLOW paddle size should be 24" x 24".
- STOP/SLOW paddles shall be retroreflective when used at night.
- STOP/SLOW paddles may be attached to a staff with a minimum length of 6' to the bottom of the sign.
- Any lights incorporated into the STOP or SLOW paddle faces shall only be as specifically described in Section 6E.03 Hand Signaling Devices in the TMUTCD.



SHEETING REQUIREMENTS (WHEN USED AT NIGHT)		
USAGE	COLOR	SIGN FACE MATERIAL
BACKGROUND	RED	TYPE B OR C SHEETING
BACKGROUND	ORANGE	TYPE B _{FL} OR C _{FL} SHEETING
LEGEND & BORDER	WHITE	TYPE B OR C SHEETING
LEGEND & BORDER	BLACK	ACRYLIC NON-REFLECTIVE FILM

CONTRACTOR REQUIREMENTS FOR MAINTAINING PERMANENT SIGNS WITHIN THE PROJECT LIMITS

- Permanent signs are used to give notice of traffic laws or regulations, call attention to conditions that are potentially hazardous to traffic operations, show route designations, destinations, directions, distances, services, points of interest, and other geographical, recreational, specific service (LOGO), or cultural information. Drivers proceeding through a work zone need the same, if not better route guidance as normally installed on a roadway without construction.
- When permanent regulatory or warning signs conflict with work zone conditions, remove or cover the permanent signs until the permanent sign message matches the roadway condition. For details for covering large guide signs see the TS-CD standard.
- When existing permanent signs are moved and relocated due to construction purposes, they shall be visible to motorists at all times.
- If existing signs are to be relocated on their original supports, they shall be installed on crashworthy bases as shown on the SMD Standard sheets. The signs shall meet the required mounting heights shown on the BC Sheets or the SMD Standards. This work should be paid for under the appropriate pay item for relocating existing signs.
- If permanent signs are to be removed and relocated using temporary supports, the Contractor shall use crashworthy supports as shown on the BC standard sheets, TLRS standard sheets or the CWZTCD list. The signs shall meet the required mounting heights shown on the BC, or the SMD standard sheets during construction. This work should be paid for under the appropriate pay item for relocating existing signs.
- Any sign or traffic control device that is struck or damaged by the Contractor or his/her construction equipment shall be replaced as soon as possible by the Contractor to ensure proper guidance for the motorists. This will be subsidiary to Item 502.



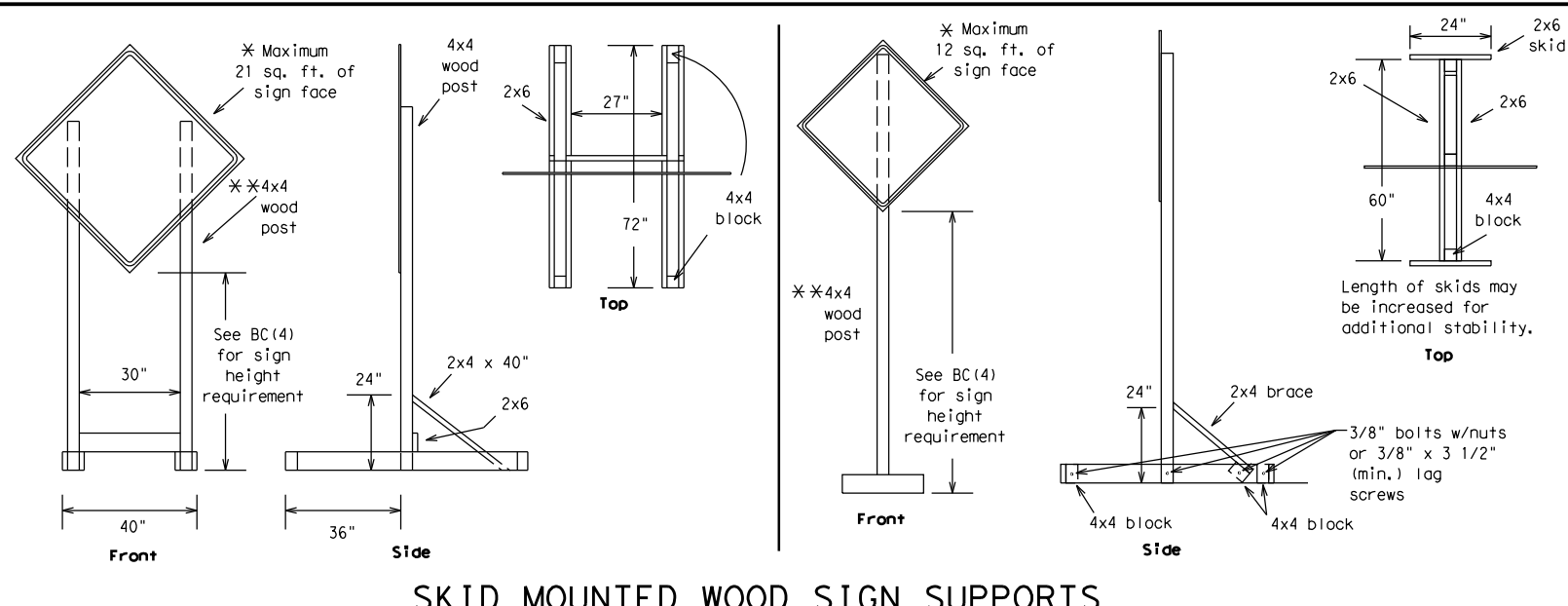
BARRICADE AND CONSTRUCTION TEMPORARY SIGN NOTES

BC (4) - 21

FILE:	bc-21.dgn	DN:	TxDOT	CK:	TxDOT	DW:	TxDOT	CK:	TxDOT
© TxDOT	November 2002	CONT	SECT	JOB	HIGHWAY				
REVISIONS		0275	01	244	IH 40				
9-07	8-14	DIST	COUNTY	SHEET NO.					
7-13	5-21	AMA	POTTER	11					

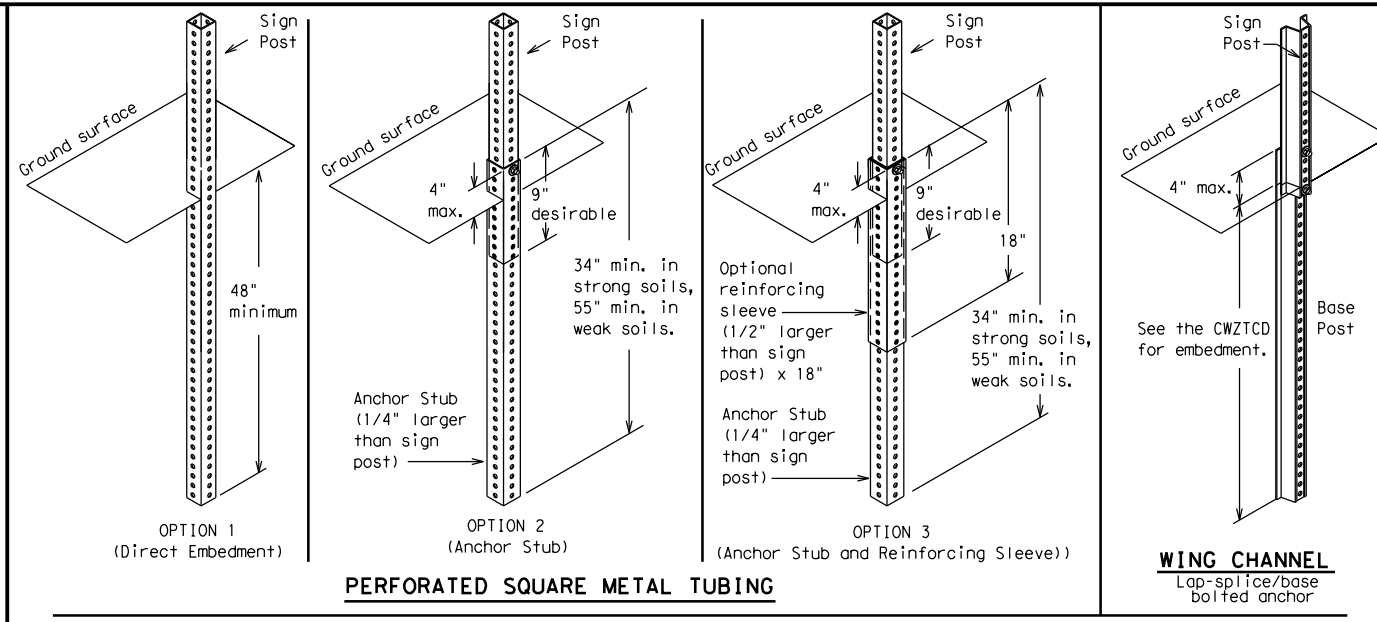
DISCLAIMER: The use of this standard is governed by the "Texas Engineering Practice Act". No warranty of any kind is made by TxDOT for any purpose whatsoever. TxDOT assumes no responsibility for the conversion of this standard to other formats or for incorrect results or damages resulting from its use.

DATE: 2/7/2024 9:46:52 AM
 FILE: K:\01509\01509-0027-10 TxDOT AMA PS&E_IH_40_TRAFFIC\SWA1\Standards\bc-21.dgn



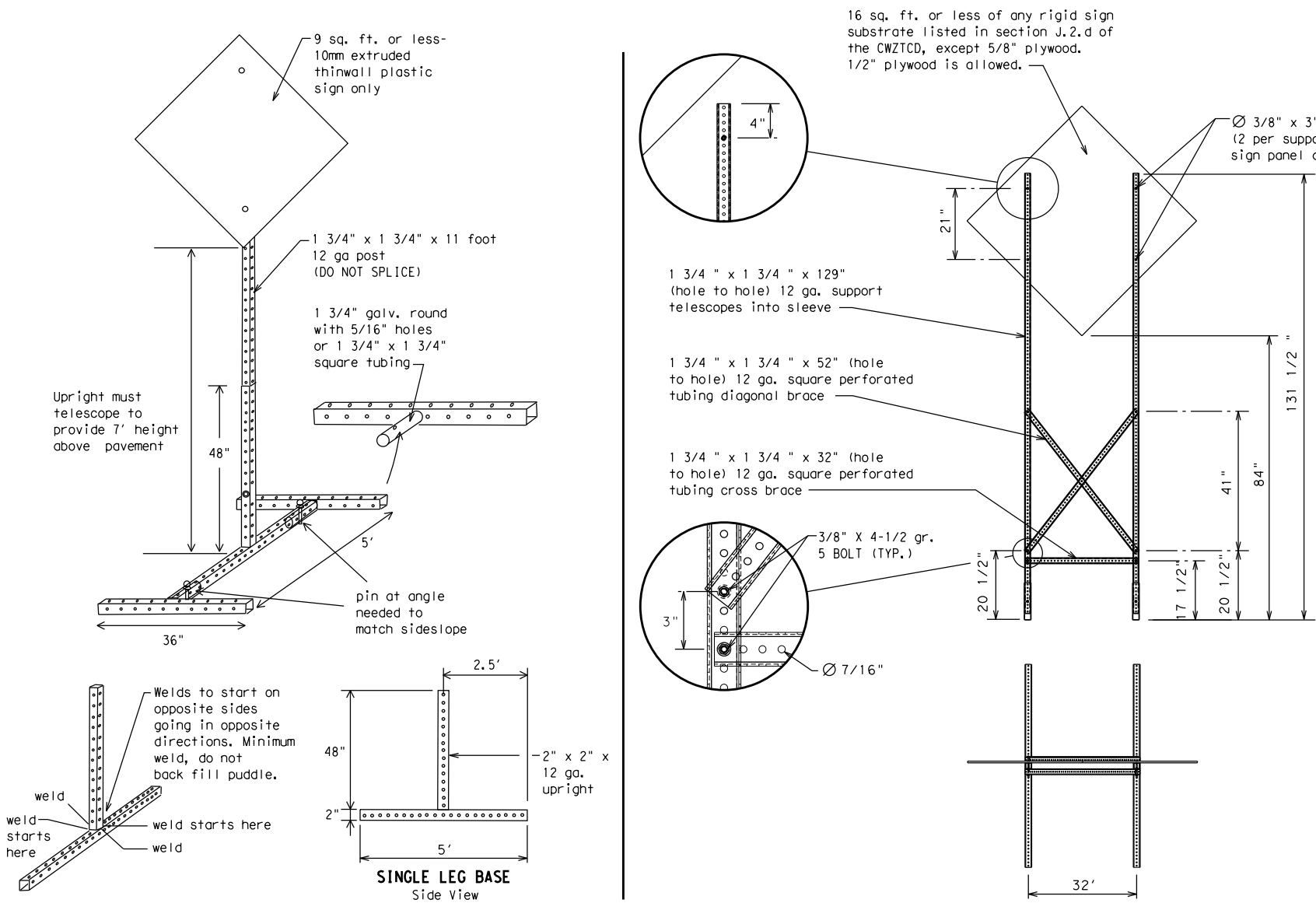
SKID MOUNTED WOOD SIGN SUPPORTS

* LONG/INTERMEDIATE TERM STATIONARY - PORTABLE SKID MOUNTED SIGN SUPPORTS



GROUND MOUNTED SIGN SUPPORTS

Refer to the CWZTC D and the manufacturer's installation procedure for each type sign support. The maximum sign square footage shall adhere to the manufacturer's recommendation. Two post installations can be used for larger signs.



SKID MOUNTED PERFORATED SQUARE STEEL TUBING SIGN SUPPORTS

* LONG/INTERMEDIATE TERM STATIONARY - PORTABLE SKID MOUNTED SIGN SUPPORTS

WEDGE ANCHORS

Both steel and plastic Wedge Anchor Systems as shown on the SMD Standard Sheets may be used as temporary sign supports for signs up to 10 square feet of sign face. They may be set in concrete or in sturdy soils if approved by the Engineer. (See web address for "Traffic Engineering Standard Sheets" on BC(1)).

OTHER DESIGNS

MORE DETAILS OF APPROVED LONG/INTERMEDIATE AND SHORT TERM SUPPORTS CAN BE FOUND ON THE CWZTC D LIST. SEE BC(1) FOR WEBSITE LOCATION.

GENERAL NOTES

- Nails may be used in the assembly of wooden sign supports, but 3/8" bolts with nuts or 3/8" x 3 1/2" lag screws must be used on every joint for final connection.
- No more than 2 sign posts shall be placed within a 7 ft. circle, except for specific materials noted on the CWZTC D List.
- When project is completed, all sign supports and foundations shall be removed from the project site. This will be considered subsidiary to Item 502.

- * See BC(4) for definition of "Work Duration."
- ** Wood sign posts MUST be one piece. Splicing will NOT be allowed. Posts shall be painted white.
- See the CWZTC D for the type of sign substrate that can be used for each approved sign support.

SHEET 5 OF 12



BARRICADE AND CONSTRUCTION TYPICAL SIGN SUPPORT

BC(5) - 21

FILE: bc-21.dgn	DN: TxDOT	CK: TxDOT	DW: TxDOT	CK: TxDOT
© TxDOT November 2002	CONT	SECT	JOB	HIGHWAY
REVISIONS	0275	01	244	IH 40
9-07 8-14	DIST	COUNTY	SHEET NO.	
7-13 5-21	AMA	POTTER	12	

WHEN NOT IN USE, REMOVE THE PCMS FROM THE RIGHT-OF-WAY OR PLACE THE PCMS BEHIND BARRIER OR GUARDRAIL WITH SIGN PANEL TURNED PARALLEL TO TRAFFIC

RECOMMENDED PHASES AND FORMATS FOR PCMS MESSAGES DURING ROADWORK ACTIVITIES

(The Engineer may approve other messages not specifically covered here.)

PORTABLE CHANGEABLE MESSAGE SIGNS

- The Engineer/Inspector shall approve all messages used on portable changeable message signs (PCMS).
- Messages on PCMS should contain no more than 8 words (about four to eight characters per word), not including simple words such as "TO," "FOR," "AT," etc.
- Messages should consist of a single phase, or two phases that alternate. Three-phase messages are not allowed. Each phase of the message should convey a single thought, and must be understood by itself.
- Use the word "EXIT" to refer to an exit ramp on a freeway; i.e., "EXIT CLOSED." Do not use the term "RAMP."
- Always use the route or interstate designation (IH, US, SH, FM) along with the number when referring to a roadway.
- When in use, the bottom of a stationary PCMS message panel should be a minimum 7 feet above the roadway, where possible.
- The message term "WEEKEND" should be used only if the work is to start on Saturday morning and end by Sunday evening at midnight. Actual days and hours of work should be displayed on the PCMS if work is to begin on Friday evening and/or continue into Monday morning.
- The Engineer/Inspector may select one of two options which are available for displaying a two-phase message on a PCMS. Each phase may be displayed for either four seconds each or for three seconds each.
- Do not "flash" messages or words included in a message. The message should be steady burn or continuous while displayed.
- Do not present redundant information on a two-phase message; i.e., keeping two lines of the message the same and changing the third line.
- Do not use the word "Danger" in message.
- Do not display the message "LANES SHIFT LEFT" or "LANES SHIFT RIGHT" on a PCMS. Drivers do not understand the message.
- Do not display messages that scroll horizontally or vertically across the face of the sign.
- The following table lists abbreviated words and two-word phrases that are acceptable for use on a PCMS. Both words in a phrase must be displayed together. Words or phrases not on this list should not be abbreviated, unless shown in the TMUTCD.
- PCMS character height should be at least 18 inches for trailer mounted units. They should be visible from at least 1/2 (.5) mile and the text should be legible from at least 600 feet at night and 800 feet in daylight. Truck mounted units must have a character height of 10 inches and must be legible from at least 400 feet.
- Each line of text should be centered on the message board rather than left or right justified.
- If disabled, the PCMS should default to an illegible display that will not alarm motorists and will only be used to alert workers that the PCMS has malfunctioned. A pattern such as a series of horizontal solid bars is appropriate.

Phase 1: Condition Lists

Road/Lane/Ramp Closure List

FREEWAY CLOSED X MILE
ROAD CLOSED AT SH XXX
ROAD CLSD AT FM XXXX
RIGHT X LANES CLOSED
CENTER LANE CLOSED
NIGHT LANE CLOSURES
VARIOUS LANES CLOSED
EXIT CLOSED
MALL DRIVEWAY CLOSED
XXXXXXXX BLVD CLOSED

Other Condition List

FRONTAGE ROAD CLOSED
SHOULDER CLOSED XXX FT
RIGHT LN CLOSED XXX FT
RIGHT X LANES OPEN
DAYTIME LANE CLOSURES
I-XX SOUTH EXIT CLOSED
EXIT XXX CLOSED X MILE
RIGHT LN TO BE CLOSED
X LANES CLOSED TUE - FRI

ROADWORK XXX FT
FLAGGER XXXX FT
RIGHT LN NARROWS XXXX FT
MERGING TRAFFIC XXXX FT
LOOSE GRAVEL XXXX FT
DETOUR X MILE
ROADWORK PAST SH XXXX
BUMP XXXX FT
TRAFFIC SIGNAL XXXX FT

ROAD REPAIRS XXXX FT
LANE NARROWS XXXX FT
TWO-WAY TRAFFIC XX MILE
CONST TRAFFIC XXX FT
UNEVEN LANES XXXX FT
ROUGH ROAD XXXX FT
ROADWORK NEXT FRI-SUN
US XXX EXIT X MILES
LANES SHIFT *

* LANES SHIFT in Phase 1 must be used with STAY IN LANE in Phase 2.

Phase 2: Possible Component Lists

Action to Take/Effect on Travel List

MERGE RIGHT
DETOUR NEXT X EXITS
USE EXIT XXX
STAY ON US XXX SOUTH
TRUCKS USE US XXX N
WATCH FOR TRUCKS
EXPECT DELAYS
REDUCE SPEED XXX FT
USE OTHER ROUTES
STAY IN LANE *

FORM X LINES RIGHT
USE XXXXX RD EXIT
USE EXIT I-XX NORTH
USE I-XX E TO I-XX N
WATCH FOR TRUCKS
EXPECT DELAYS
PREPARE TO STOP
END SHOULDER USE
WATCH FOR WORKERS

Location List

AT FM XXXX
BEFORE RAILROAD CROSSING
NEXT X MILES
PAST US XXX EXIT
XXXXXXXX TO XXXXXXX
US XXX TO FM XXXX

Warning List

SPEED LIMIT XX MPH
MAXIMUM SPEED XX MPH
MINIMUM SPEED XX MPH
ADVISORY SPEED XX MPH
RIGHT LANE EXIT
USE CAUTION
DRIVE SAFELY
DRIVE WITH CARE

** Advance Notice List

TUE-FRI XX AM - X PM
APR XX - XX X PM - X AM
BEGINS MONDAY
BEGINS MAY XX
MAY X-X XX PM - XX AM
NEXT FRI-SUN
XX AM TO XX PM
NEXT TUE AUG XX
TONIGHT XX PM - XX AM

** See Application Guidelines Note 6.

APPLICATION GUIDELINES

- Only 1 or 2 phases are to be used on a PCMS.
- The 1st phase (or both) should be selected from the "Road/Lane/Ramp Closure List" and the "Other Condition List".
- A 2nd phase can be selected from the "Action to Take/Effect on Travel, Location, General Warning, or Advance Notice Phase Lists".
- A Location Phase is necessary only if a distance or location is not included in the first phase selected.
- If two PCMS are used in sequence, they must be separated by a minimum of 1000 ft. Each PCMS shall be limited to two phases, and should be understandable by themselves.
- For advance notice, when the current date is within seven days of the actual work date, calendar days should be replaced with days of the week. Advance notification should typically be for no more than one week prior to the work.

WORDING ALTERNATIVES

- The words RIGHT, LEFT and ALL can be interchanged as appropriate.
- Roadway designations IH, US, SH, FM and LP can be interchanged as appropriate.
- EAST, WEST, NORTH and SOUTH (or abbreviations E, W, N and S) can be interchanged as appropriate.
- Highway names and numbers replaced as appropriate.
- ROAD, HIGHWAY and FREEWAY can be interchanged as needed.
- AHEAD may be used instead of distances if necessary.
- FT and MI, MILE and MILES interchanged as appropriate.
- AT, BEFORE and PAST interchanged as needed.
- Distances or AHEAD can be eliminated from the message if a location phase is used.

PCMS SIGNS WITHIN THE R.O.W. SHALL BE BEHIND GUARDRAIL OR CONCRETE BARRIER OR SHALL HAVE A MINIMUM OF FOUR (4) PLASTIC DRUMS PLACED PERPENDICULAR TO TRAFFIC ON THE UPSTREAM SIDE OF THE PCMS, WHEN EXPOSED TO ONE DIRECTION OF TRAFFIC. WHEN EXPOSED TO TWO WAY TRAFFIC, THE FOUR DRUMS SHOULD BE PLACED WITH ONE DRUM AT EACH OF THE FOUR CORNERS OF THE UNIT.

FULL MATRIX PCMS SIGNS

- When Full Matrix PCMS signs are used, the character height and legibility/visibility requirements shall be maintained as listed in Note 15 under "PORTABLE CHANGEABLE MESSAGE SIGNS" above.
- When symbol signs, such as the "Flagger Symbol" (CW20-7) are represented graphically on the Full Matrix PCMS sign and, with the approval of the Engineer, it shall maintain the legibility/visibility requirement listed above.
- When symbol signs are represented graphically on the Full Matrix PCMS, they shall only supplement the use of the static sign represented, and shall not substitute for, or replace that sign.
- A full matrix PCMS may be used to simulate a flashing arrow board provided it meets the visibility, flash rate and dimming requirements on BC(7), for the same size arrow.

DISCLAIMER: The use of this standard is governed by the "Texas Engineering Practice Act". No warranty of any kind is made by TxDOT for any purpose whatsoever. TxDOT assumes no responsibility for the conversion of this standard to other formats or for incorrect results or damages resulting from its use.

DATE: 2/7/2024 9:46:53 AM
FILE: K:\01509\01509-0027-10 TxDOT AWA PS&E IH 40\TRAFFIC\SWA1\Standards\bc-21.dgn

WORD OR PHRASE	ABBREVIATION	WORD OR PHRASE	ABBREVIATION
Access Road	ACCS RD	Major	MAJ
Alternate	ALT	Miles	MI
Avenue	AVE	Miles Per Hour	MPH
Best Route	BEST RTE	Minor	MNR
Boulevard	BLVD	Monday	MON
Bridge	BRDG	Normal	NORM
Canal	CANT	North	N
Center	CTR	Northbound	(route) N
Construction Ahead	CONST AHD	Parking	PKING
CROSSING	XING	Road	RD
Detour Route	DETOUR RTE	Right Lane	RT LN
Do Not	DONT	Saturday	SAT
East	E	Service Road	SERV RD
Eastbound	(route) E	Shoulder	SHLDR
Emergency	EMER	Slippery	SLIP
Emergency Vehicle	EMER VEH	South	S
Entrance, Enter	ENT	Southbound	(route) S
Express Lane	EXP LN	Speed	SPD
Expressway	EXPWY	Street	ST
XXXX Feet	XXXX FT	Sunday	SUN
Fog Ahead	FOG AHD	Telephone	PHONE
Freeway	FRWY, FWY	Temporary	TEMP
Freeway Blocked	FWY BLKD	Thursday	THURS
Friday	FRI	To Downtown	TO DWNTN
Hazardous Driving	HAZ DRIVING	Traffic	TRAF
Hazardous Material	HAZMAT	Travelers	TRVLR
High-Occupancy Vehicle	HOV	Tuesday	TUES
Highway	HWY	Time Minutes	TIME MIN
Hour(s)	HR, HRS	Upper Level	UPR LEVEL
Information	INFO	Vehicles (s)	VEH, VEHS
It Is	ITS	Warning	WARN
Junction	JCT	Wednesday	WED
Left	LFT	Weight Limit	WT LIMIT
Left Lane	LFT LN	West	W
Lane Closed	LN CLOSED	Westbound	(route) W
Lower Level	LWR LEVEL	Wet Pavement	WET PVMT
Maintenance	MAINT	Will Not	WONT

Roadway designation # IH-number, US-number, SH-number, FM-number



BARRICADE AND CONSTRUCTION PORTABLE CHANGEABLE MESSAGE SIGN (PCMS)

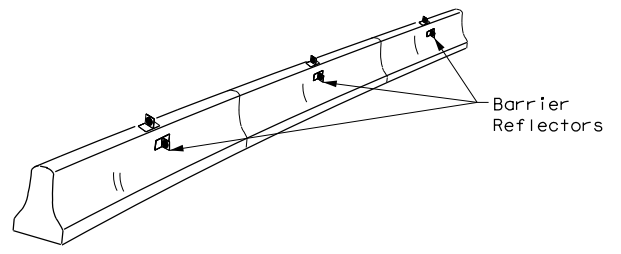
BC (6) - 21

FILE:	bc-21.dgn	DN:	TxDOT	CK:	TxDOT	DW:	TxDOT	CK:	TxDOT
© TxDOT	November 2002	CONT	SECT	JOB	HIGHWAY				
REVISIONS		0275	01	244	IH 40				
9-07	8-14	DIST	COUNTY	SHEET NO.					
7-13	5-21	AMA	POTTER	13					

DISCLAIMER: The use of this standard is governed by the "Texas Engineering Practice Act". No warranty of any kind is made by TxDOT for any purpose whatsoever. TxDOT assumes no responsibility for the conversion of this standard to other formats or for incorrect results or damages resulting from its use.

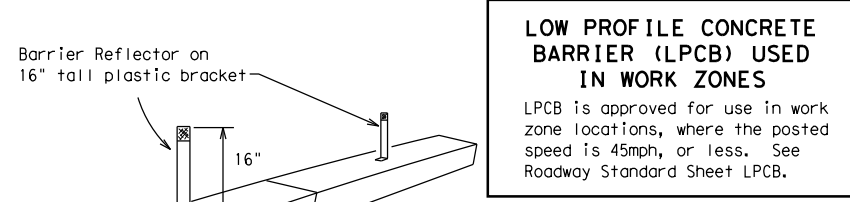
DATE: 2/7/2024 9:46:53 AM
 FILE: K:\01509\01509-0027-10 TxDOT AMA PS&E_IH_40\TRAFFIC\SWA1\Standards\bc-21 (4).dgn

- Barrier Reflectors shall be pre-qualified, and conform to the color and reflectivity requirements of DMS-8600. A list of prequalified Barrier Reflectors can be found at the Material Producer List web address shown on BC(1).
- Color of Barrier Reflectors shall be as specified in the TMUTCD. The cost of the reflectors shall be considered subsidiary to Item 512.



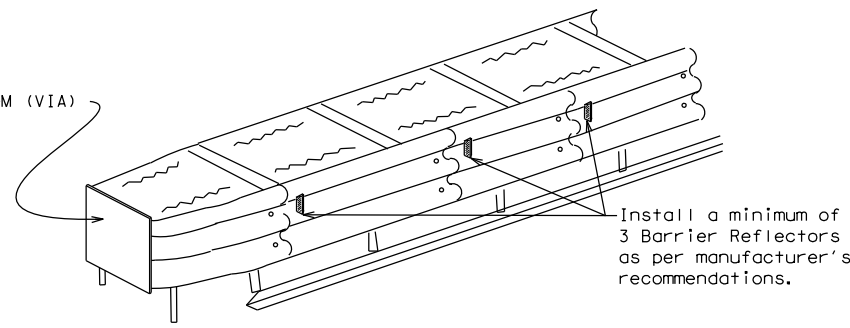
CONCRETE TRAFFIC BARRIER (CTB)

- Where traffic is on one side of the CTB, two (2) Barrier Reflectors shall be mounted in approximately the midsection of each section of CTB. An alternate mounting location is uniformly spaced at one end of each CTB. This will allow for attachment of a barrier grapple without damaging the reflector. The Barrier Reflector mounted on the side of the CTB shall be located directly below the reflector mounted on top of the barrier, as shown in the detail above.
- Where CTB separates two-way traffic, three barrier reflectors shall be mounted on each section of CTB. The reflector unit on top shall have two yellow reflective faces (Bi-Directional) while the reflectors on each side of the barrier shall have one yellow reflective face, as shown in the detail above.
- When CTB separates traffic traveling in the same direction, no barrier reflectors will be required on top of the CTB.
- Barrier Reflector units shall be yellow or white in color to match the edgeline being supplemented.
- Maximum spacing of Barrier Reflectors is forty (40) feet.
- Pavement markers or temporary flexible-reflective roadway marker tabs shall NOT be used as CTB delineation.
- Attachment of Barrier Reflectors to CTB shall be per manufacturer's recommendations.
- Missing or damaged Barrier Reflectors shall be replaced as directed by the Engineer.
- Single slope barriers shall be delineated as shown on the above detail.



LOW PROFILE CONCRETE BARRIER (LPCB) USED IN WORK ZONES
 LPCB is approved for use in work zone locations, where the posted speed is 45mph, or less. See Roadway Standard Sheet LPCB.

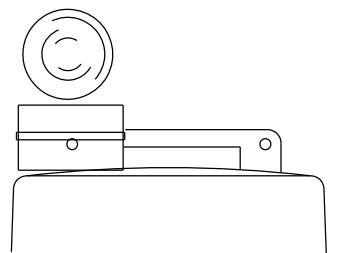
LOW PROFILE CONCRETE BARRIER (LPCB)



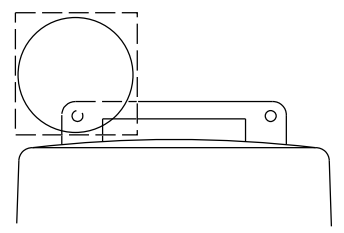
DELINEATION OF END TREATMENTS

END TREATMENTS FOR CTB'S USED IN WORK ZONES
 End treatments used on CTB's in work zones shall meet the appropriate crashworthy standards as defined in the Manual for Assessing Safety Hardware (MASH). Refer to the CWZTCD List for approved end treatments and manufacturers.

BARRIER REFLECTORS FOR CONCRETE TRAFFIC BARRIER AND ATTENUATORS



Type C Warning Light or approved substitute mounted on a drum adjacent to the travel way.



Warning reflector may be round or square. Must have a yellow reflective surface area of at least 30 square inches.

WARNING LIGHTS

- Warning lights shall meet the requirements of the TMUTCD.
- Warning lights shall NOT be installed on barricades.
- Type A-Low Intensity Flashing Warning Lights are commonly used with drums. They are intended to warn of or mark a potentially hazardous area. Their use shall be as indicated on this sheet and/or other sheets of the plans by the designation "FL". The Type A Warning Lights shall not be used with signs manufactured with Type B_{FL} or C_{FL} Sheeting meeting the requirements of Departmental Material Specification DMS-8300.
- Type-C and Type D 360 degree Steady Burn Lights are intended to be used in a series for delineation to supplement other traffic control devices. Their use shall be as indicated on this sheet and/or other sheets of the plans by the designation "SB".
- The Engineer/Inspector or the plans shall specify the location and type of warning lights to be installed on the traffic control devices.
- When required by the Engineer, the Contractor shall furnish a copy of the warning lights certification. The warning light manufacturer will certify the warning lights meet the requirements of the latest ITE Purchase Specifications for Flashing and Steady-Burn Warning Lights.
- When used to delineate curves, Type-C and Type D Steady Burn Lights should only be placed on the outside of the curve, not the inside.
- The location of warning lights and warning reflectors on drums shall be as shown elsewhere in the plans.

WARNING LIGHTS MOUNTED ON PLASTIC DRUMS

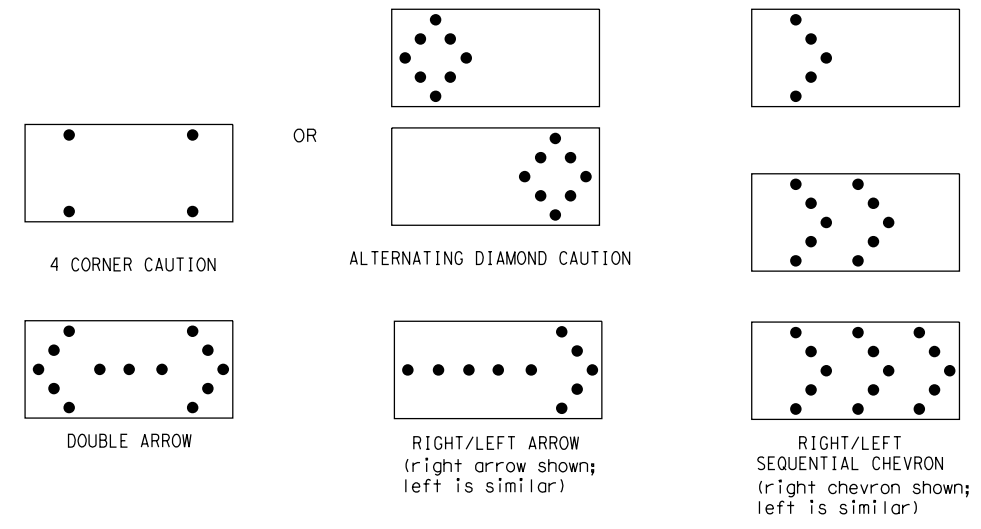
- Type A flashing warning lights are intended to warn drivers that they are approaching or are in a potentially hazardous area.
- Type A random flashing warning lights are not intended for delineation and shall not be used in a series.
- A series of sequential flashing warning lights placed on channelizing devices to form a merging taper may be used for delineation. If used, the successive flashing of the sequential warning lights should occur from the beginning of the taper to the end of the merging taper in order to identify the desired vehicle path. The rate of flashing for each light shall be 65 flashes per minute, plus or minus 10 flashes.
- Type C and D steady-burn warning lights are intended to be used in a series to delineate the edge of the travel lane on detours, on lane changes, on lane closures, and on other similar conditions.
- Type A, Type C and Type D warning lights shall be installed at locations as detailed on other sheets in the plans.
- Warning lights shall not be installed on a drum that has a sign, chevron or vertical panel.
- The maximum spacing for warning lights on drums should be identical to the channelizing device spacing.

WARNING REFLECTORS MOUNTED ON PLASTIC DRUMS AS A SUBSTITUTE FOR TYPE C (STEADY BURN) WARNING LIGHTS

- A warning reflector or approved substitute may be mounted on a plastic drum as a substitute for a Type C, steady burn warning light at the discretion of the Contractor unless otherwise noted in the plans.
- The warning reflector shall be yellow in color and shall be manufactured using a sign substrate approved for use with plastic drums listed on the CWZTCD.
- The warning reflector shall have a minimum retroreflective surface area (one-side) of 30 square inches.
- Round reflectors shall be fully reflectorized, including the area where attached to the drum.
- Square substrates must have a minimum of 30 square inches of reflectorized sheeting. They do not have to be reflectorized where it attaches to the drum.
- The side of the warning reflector facing approaching traffic shall have sheeting meeting the color and retroreflectivity requirements for DMS 8300-Type B or Type C.
- When used near two-way traffic, both sides of the warning reflector shall be reflectorized.
- The warning reflector should be mounted on the side of the handle nearest approaching traffic.
- The maximum spacing for warning reflectors should be identical to the channelizing device spacing requirements.

Arrow Boards may be located behind channelizing devices in place for a shoulder taper or merging taper, otherwise they shall be delineated with four (4) channelizing devices placed perpendicular to traffic on the upstream side of traffic.

- The Flashing Arrow Board should be used for all lane closures on multi-lane roadways, or slow moving maintenance or construction activities on the travel lanes.
- Flashing Arrow Boards should not be used on two-lane, two-way roadways, detours, diversions or work on shoulders unless the "CAUTION" display (see detail below) is used.
- The Engineer/Inspector shall choose all appropriate signs, barricades and/or other traffic control devices that should be used in conjunction with the Flashing Arrow Board.
- The Flashing Arrow Board should be able to display the following symbols:



- The "CAUTION" display consists of four corner lamps flashing simultaneously, or the Alternating Diamond Caution mode as shown.
- The straight line caution display is NOT ALLOWED.
- The Flashing Arrow Board shall be capable of minimum 50 percent dimming from rated lamp voltage. The flashing rate of the lamps shall not be less than 25 nor more than 40 flashes per minute.
- Minimum lamp "on time" shall be approximately 50 percent for the flashing arrow and equal intervals of 25 percent for each sequential phase of the flashing chevron.
- The sequential arrow display is NOT ALLOWED.
- The flashing arrow display is the TxDOT standard; however, the sequential chevron display may be used during daylight operations.
- The Flashing Arrow Board shall be mounted on a vehicle, trailer or other suitable support.
- A Flashing Arrow Board SHALL NOT BE USED to laterally shift traffic.
- A full matrix PCMS may be used to simulate a Flashing Arrow Board provided it meets visibility, flash rate and dimming requirements on this sheet for the same size arrow.
- Minimum mounting height of trailer mounted Arrow Boards should be 7 feet from roadway to bottom of panel.

REQUIREMENTS			
TYPE	MINIMUM SIZE	MINIMUM NUMBER OF PANEL LAMPS	MINIMUM VISIBILITY DISTANCE
B	30 x 60	13	3/4 mile
C	48 x 96	15	1 mile

ATTENTION
 Flashing Arrow Boards shall be equipped with automatic dimming devices.

WHEN NOT IN USE, REMOVE THE ARROW BOARD FROM THE RIGHT-OF-WAY OR PLACE THE ARROW BOARD BEHIND CONCRETE TRAFFIC BARRIER OR GUARDRAIL.

FLASHING ARROW BOARDS

SHEET 7 OF 12

TRUCK-MOUNTED ATTENUATORS

- Truck-mounted attenuators (TMA) used on TxDOT facilities must meet the requirements outlined in the Manual for Assessing Safety Hardware (MASH).
- Refer to the CWZTCD for the requirements of Level 2 or Level 3 TMAs.
- Refer to the CWZTCD for a list of approved TMAs.
- TMAs are required on freeways unless otherwise noted in the plans.
- A TMA should be used anytime that it can be positioned 30 to 100 feet in advance of the area of crew exposure without adversely affecting the work performance.
- The only reason a TMA should not be required is when a work area is spread down the roadway and the work crew is an extended distance from the TMA.



BARRICADE AND CONSTRUCTION ARROW PANEL, REFLECTORS, WARNING LIGHTS & ATTENUATOR

BC (7) - 21

FILE:	bc-21.dgn	DN:	TxDOT	CK:	TxDOT	DW:	TxDOT	CK:	TxDOT
©TxDOT	November 2002	CONT	SECT	JOB	HIGHWAY				
REVISIONS		0275	01	244	IH 40				
9-07	8-14	DIST	COUNTY		SHEET NO.				
7-13	5-21	AMA	POTTER		14				

DISCLAIMER: The use of this standard is governed by the "Texas Engineering Practice Act". No warranty of any kind is made by TxDOT for any purpose whatsoever. TxDOT assumes no responsibility for the conversion of this standard to other formats or for incorrect results or damages resulting from its use.

DATE: 2/7/2024 9:46:53 AM
 FILE: K:\01509\01509-0027-10 TxDOT AMA PS&E IH 40\TRAFFIC\SWA1\Standards\bc-21 (4).dgn

GENERAL NOTES

- For long term stationary work zones on freeways, drums shall be used as the primary channelizing device.
- For intermediate term stationary work zones on freeways, drums should be used as the primary channelizing device but may be replaced in tangent sections by vertical panels, or 42" two-piece cones. In tangent sections, one-piece cones may be used with the approval of the Engineer but only if personnel are present on the project at all times to maintain the cones in proper position and location.
- For short term stationary work zones on freeways, drums are the preferred channelizing device but may be replaced in tapers, transitions and tangent sections by vertical panels, two-piece cones or one-piece cones as approved by the Engineer.
- Drums and all related items shall comply with the requirements of the current version of the "Texas Manual on Uniform Traffic Control Devices" (TMUTCD) and the "Compliant Work Zone Traffic Control Devices List" (CWZTCD).
- Drums, bases, and related materials shall exhibit good workmanship and shall be free from objectionable marks or defects that would adversely affect their appearance or serviceability.
- The Contractor shall have a maximum of 24 hours to replace any plastic drums identified for replacement by the Engineer/Inspector. The replacement device must be an approved device.

GENERAL DESIGN REQUIREMENTS

Pre-qualified plastic drums shall meet the following requirements:

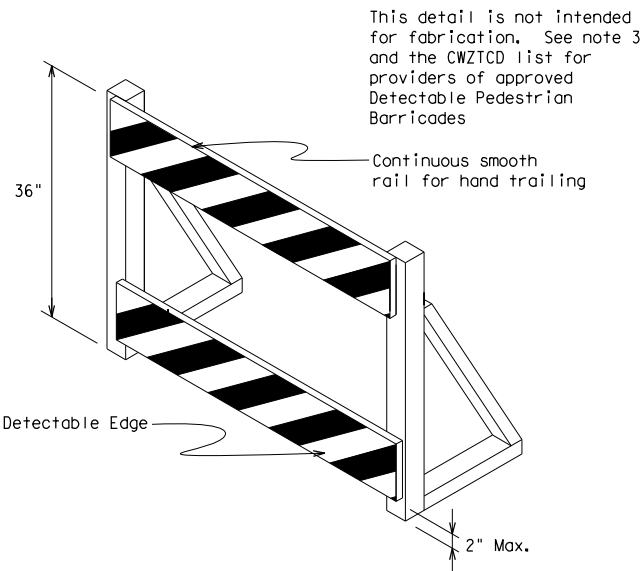
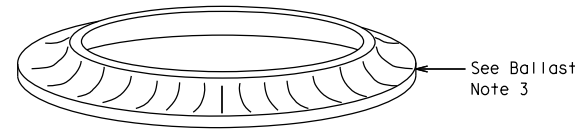
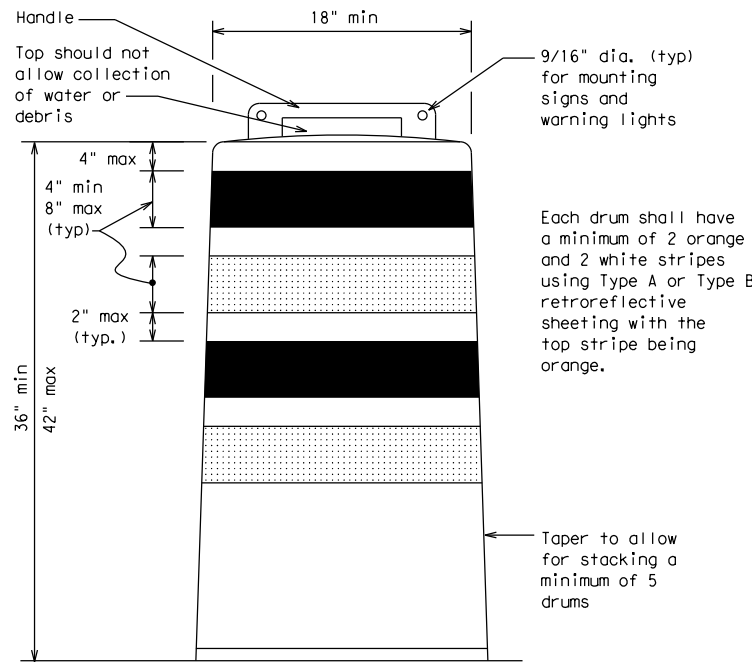
- Plastic drums shall be a two-piece design; the "body" of the drum shall be the top portion and the "base" shall be the bottom.
- The body and base shall lock together in such a manner that the body separates from the base when impacted by a vehicle traveling at a speed of 20 MPH or greater but prevents accidental separation due to normal handling and/or air turbulence created by passing vehicles.
- Plastic drums shall be constructed of lightweight flexible, and deformable materials. The Contractor shall NOT use metal drums or single piece plastic drums as channelization devices or sign supports.
- Drums shall present a profile that is a minimum of 18 inches in width at the 36 inch height when viewed from any direction. The height of drum unit (body installed on base) shall be a minimum of 36 inches and a maximum of 42 inches.
- The top of the drum shall have a built-in handle for easy pickup and shall be designed to drain water and not collect debris. The handle shall have a minimum of two widely spaced 9/16 inch diameter holes to allow attachment of a warning light, warning reflector unit or approved compliant sign.
- The exterior of the drum body shall have a minimum of four alternating orange and white retroreflective circumferential stripes not less than 4 inches nor greater than 8 inches in width. Any non-reflectORIZED space between any two adjacent stripes shall not exceed 2 inches in width.
- Bases shall have a maximum width of 36 inches, a maximum height of 4 inches, and a minimum of two footholds of sufficient size to allow base to be held down while separating the drum body from the base.
- Plastic drums shall be constructed of ultra-violet stabilized, orange, high-density polyethylene (HDPE) or other approved material.
- Drum body shall have a maximum unballasted weight of 11 lbs.
- Drum and base shall be marked with manufacturer's name and model number.

RETROREFLECTIVE SHEETING

- The stripes used on drums shall be constructed of sheeting meeting the color and retroreflectivity requirements of Departmental Materials Specification DMS-8300, "Sign Face Materials." Type A or Type B reflective sheeting shall be supplied unless otherwise specified in the plans.
- The sheeting shall be suitable for use on and shall adhere to the drum surface such that, upon vehicular impact, the sheeting shall remain adhered in-place and exhibit no delaminating, cracking, or loss of retroreflectivity other than that loss due to abrasion of the sheeting surface.

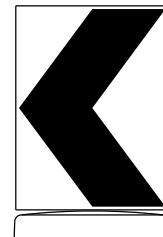
BALLAST

- Unballasted bases shall be large enough to hold up to 50 lbs. of sand. This base, when filled with the ballast material, should weigh between 35 lbs (minimum) and 50 lbs (maximum). The ballast may be sand in one to three sandbags separate from the base, sand in a sand-filled plastic base, or other ballasting devices as approved by the Engineer. Stacking of sandbags will be allowed, however height of sandbags above pavement surface may not exceed 12 inches.
- Bases with built-in ballast shall weigh between 40 lbs. and 50 lbs. Built-in ballast can be constructed of an integral crumb rubber base or a solid rubber base.
- Recycled truck tire sidewalls may be used for ballast on drums approved for this type of ballast on the CWZTCD list.
- The ballast shall not be heavy objects, water, or any material that would become hazardous to motorists, pedestrians, or workers when the drum is struck by a vehicle.
- When used in regions susceptible to freezing, drums shall have drainage holes in the bottoms so that water will not collect and freeze becoming a hazard when struck by a vehicle.
- Ballast shall not be placed on top of drums.
- Adhesives may be used to secure base of drums to pavement.

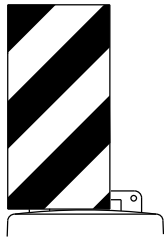


DETECTABLE PEDESTRIAN BARRICADES

- When existing pedestrian facilities are disrupted, closed, or relocated in a TTC zone, the temporary facilities shall be detectable and include accessibility features consistent with the features present in the existing pedestrian facility. Refer to WZ(BTS-2) for Pedestrian Control requirements for Sidewalk Diversions, Sidewalk Detours and Crosswalk Closures.
- Where pedestrians with visual disabilities normally use the closed sidewalk, a Detectable Pedestrian Barricade shall be placed across the full width of the closed sidewalk instead of a Type 3 Barricade.
- Detectable pedestrian barricades similar to the one pictured above, longitudinal channelizing devices, some concrete barriers, and wood or chain link fencing with a continuous detectable edging can satisfactorily delineate a pedestrian path.
- Tape, rope, or plastic chain strung between devices are not detectable, do not comply with the design standards in the "Americans with Disabilities Act Accessibility Guidelines (ADAAG)" and should not be used as a control for pedestrian movements.
- Warning lights shall not be attached to detectable pedestrian barricades.
- Detectable pedestrian barricades should use 8" nominal barricade rails as shown on BC(10) provided that the top rail provides a smooth continuous rail suitable for hand trailing with no splinters, burrs, or sharp edges.



18" x 24" Sign
(Maximum Sign Dimension)
Chevron CW1-8, Opposing Traffic Lane
Divider, Driveway sign D70a, Keep Right
R4 series or other signs as approved
by Engineer



12" x 24"
Vertical Panel
mount with diagonals
sloping down towards
travel way

Plywood, Aluminum or Metal sign substrates shall NOT be used on plastic drums

SIGNS, CHEVRONS, AND VERTICAL PANELS MOUNTED ON PLASTIC DRUMS

- Signs used on plastic drums shall be manufactured using substrates listed on the CWZTCD.
- Chevrons and other work zone signs with an orange background shall be manufactured with Type B_{FL} or Type C_{FL} Orange sheeting meeting the color and retroreflectivity requirements of DMS-8300, "Sign Face Material," unless otherwise specified in the plans.
- Vertical Panels shall be manufactured with orange and white sheeting meeting the requirements of DMS-8300 Type A or Type B. Diagonal stripes on Vertical Panels shall slope down toward the intended traveled lane.
- Other sign messages (text or symbolic) may be used as approved by the Engineer. Sign dimensions shall not exceed 18 inches in width or 24 inches in height, except for the R9 series signs discussed in note 8 below.
- Signs shall be installed using a 1/2 inch bolt (nominal) and nut, two washers, and one locking washer for each connection.
- Mounting bolts and nuts shall be fully engaged and adequately torqued. Bolts should not extend more than 1/2 inch beyond nuts.
- Chevrons may be placed on drums on the outside of curves, on merging tapers or on shifting tapers. When used in these locations, they may be placed on every drum or spaced not more than on every third drum. A minimum of three (3) should be used at each location called for in the plans.
- R9-9, R9-10, R9-11 and R9-11a Sidewalk Closed signs which are 24 inches wide may be mounted on plastic drums, with approval of the Engineer.

SHEET 8 OF 12



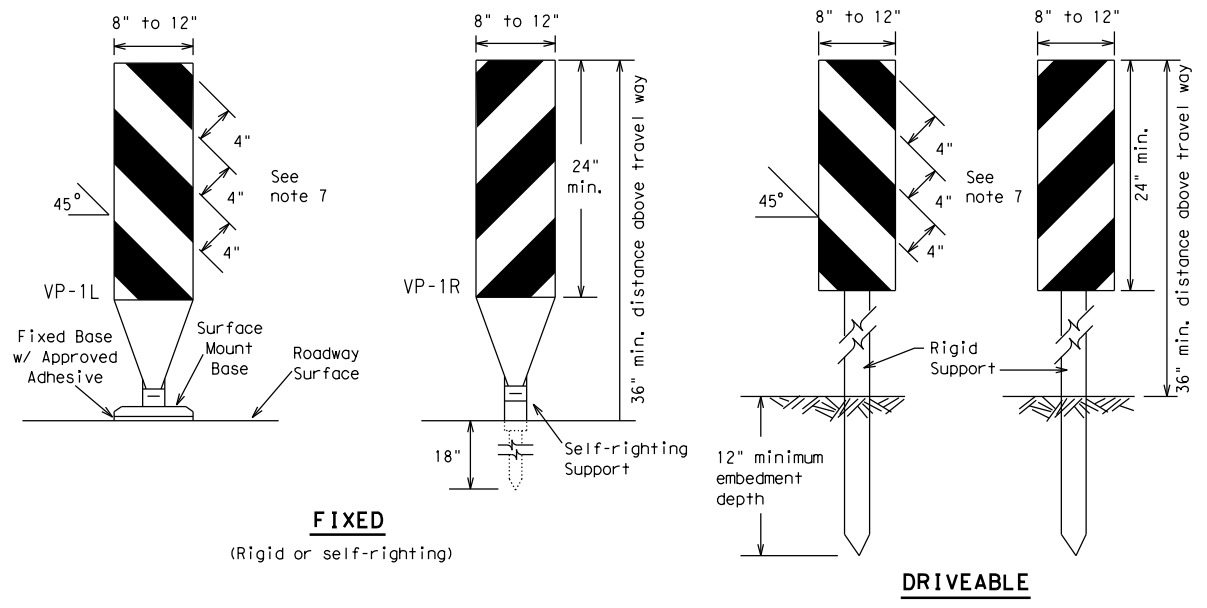
BARRICADE AND CONSTRUCTION CHANNELIZING DEVICES

BC (8) - 21

FILE:	bc-21.dgn	DN:	TxDOT	CK:	TxDOT	DW:	TxDOT	CK:	TxDOT
© TxDOT	November 2002	CONT	SECT	JOB	HIGHWAY				
REVISIONS		0275	01	244	IH 40				
4-03	8-14	DIST	COUNTY	SHEET NO.					
9-07	5-21	AMA	POTTER	15					
7-13									

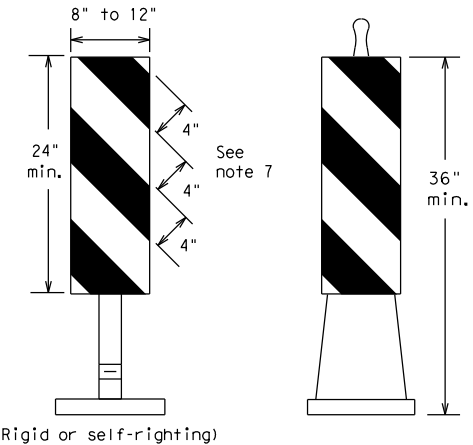
DISCLAIMER: The use of this standard is governed by the "Texas Engineering Practice Act". No warranty of any kind is made by TxDOT for any purpose whatsoever. TxDOT assumes no responsibility for the conversion of this standard to other formats or for incorrect results or damages resulting from its use.

DATE: 2/7/2024 9:46:54 AM
 FILE: K:\01509\01509-0027-10 TxDOT AMA PS&E_IH_40\TRAFFIC\SWA1\Standards\bc-21 (4).dgn



FIXED
(Rigid or self-righting)

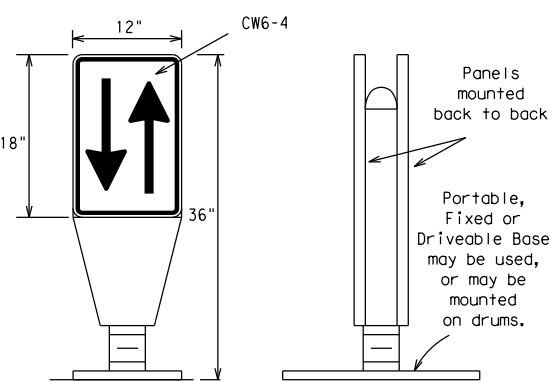
DRIVEABLE



PORTABLE

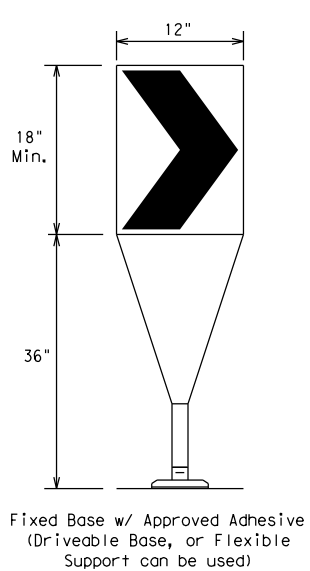
VERTICAL PANELS (VPs)

- Vertical Panels (VP's) are normally used to channelize traffic or divide opposing lanes of traffic.
- VP's may be used in daytime or nighttime situations. They may be used at the edge of shoulder drop-offs and other areas such as lane transitions where positive daytime and nighttime delineation is required. The Engineer/Inspector shall refer to the Roadway Design Manual for additional requirements on the use VP's for drop-offs.
- VP's should be mounted back to back if used at the edge of cuts adjacent to two-way two lane roadways. Stripes are to be reflective orange and reflective white and should always slope downward toward the travel lane.
- VP's used on expressways and freeways or other high speed roadways, may have more than 270 square inches of retroreflective area facing traffic.
- Self-righting supports are available with portable base. See "Compliant Work Zone Traffic Control Devices List" (CWZTCD).
- Sheeting for the VP's shall be retroreflective Type A or Type B conforming to Departmental Material Specification DMS-8300, unless noted otherwise.
- Where the height of reflective material on the vertical panel is 36 inches or greater, a panel stripe of 6 inches shall be used.



OPPOSING TRAFFIC LANE DIVIDERS (OTLD)

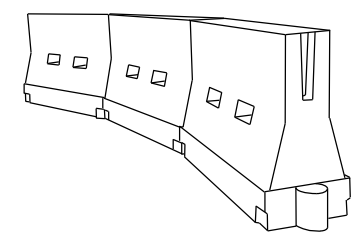
- Opposing Traffic Lane Dividers (OTLD) are delineation devices designed to convert a normal one-way roadway section to two-way operation. OTLD's are used on temporary centerlines. The upward and downward arrows on the sign's face indicate the direction of traffic on either side of the divider. The base is secured to the pavement with an adhesive or rubber weight to minimize movement caused by a vehicle impact or wind gust.
- The OTLD may be used in combination with 42" cones or VPs.
- Spacing between the OTLD shall not exceed 500 feet. 42" cones or VPs placed between the OTLD's should not exceed 100 foot spacing.
- The OTLD shall be orange with a black non-reflective legend. Sheeting for the OTLD shall be retroreflective Type B_{FL} or Type C_{FL} conforming to Departmental Material Specification DMS-8300, unless noted otherwise. The legend shall meet the requirements of DMS-8300.



Fixed Base w/ Approved Adhesive (Driveable Base, or Flexible Support can be used)

- The chevron shall be a vertical rectangle with a minimum size of 12 by 18 inches.
- Chevrons are intended to give notice of a sharp change of alignment with the direction of travel and provide additional emphasis and guidance for vehicle operators with regard to changes in horizontal alignment of the roadway.
- Chevrons, when used, shall be erected on the outside of a sharp curve or turn, or on the far side of an intersection. They shall be in line with and at right angles to approaching traffic. Spacing should be such that the motorist always has three in view, until the change in alignment eliminates its need.
- To be effective, the chevron should be visible for at least 500 feet.
- Chevrons shall be orange with a black nonreflective legend. Sheeting for the chevron shall be retroreflective Type B_{FL} or Type C_{FL} conforming to Departmental Material Specification DMS-8300, unless noted otherwise. The legend shall meet the requirements of DMS-8300.
- For Long Term Stationary use on tapers or transitions on freeways and divided highways, self-righting chevrons may be used to supplement plastic drums but not to replace plastic drums.

CHEVRONS



LONGITUDINAL CHANNELIZING DEVICES (LCD)

- LCDs are crashworthy, lightweight, deformable devices that are highly visible, have good target value and can be connected together. They are not designed to contain or redirect a vehicle on impact.
- LCDs may be used instead of a line of cones or drums.
- LCDs shall be placed in accordance to application and installation requirements specific to the device, and used only when shown on the CWZTCD list.
- LCDs should not be used to provide positive protection for obstacles, pedestrians or workers.
- LCDs shall be supplemented with retroreflective delineation as required for temporary barriers on BC(7) when placed roughly parallel to the travel lanes.
- LCDs used as barricades placed perpendicular to traffic should have at least one row of reflective sheeting meeting the requirements for barricade rails as shown on BC(10). Place reflective sheeting near the top of the LCD along the full length of the device.

WATER BALLASTED SYSTEMS USED AS BARRIERS

- Water ballasted systems used as barriers shall not be used solely to channelize road users, but also to protect the work space per the appropriate Manual for Assessing Safety Hardware (MASH) crashworthiness requirements based on roadway speed and barrier application.
- Water ballasted systems used to channelize vehicular traffic shall be supplemented with retroreflective delineation or channelizing devices to improve daytime/nighttime visibility. They may also be supplemented with pavement markings.
- Water ballasted systems used as barriers shall be placed in accordance to application and installation requirements specific to the device, and used only when shown on the CWZTCD list.
- Water ballasted systems used as barriers should not be used for a merging taper except in low speed (less than 45 MPH) urban areas. When used on a taper in a low speed urban area, the taper shall be delineated and the taper length should be designed to optimize road user operations considering the available geometric conditions.
- When water ballasted systems used as barriers have blunt ends exposed to traffic, they should be attenuated as per manufacturer recommendations or flared to a point outside the clear zone.

If used to channelize pedestrians, longitudinal channelizing devices or water ballasted systems must have a continuous detectable bottom for users of long canes and the top of the unit shall not be less than 32 inches in height.

HOLLOW OR WATER BALLASTED SYSTEMS USED AS LONGITUDINAL CHANNELIZING DEVICES OR BARRIERS

GENERAL NOTES

- Work Zone channelizing devices illustrated on this sheet may be installed in close proximity to traffic and are suitable for use on high or low speed roadways. The Engineer/Inspector shall ensure that spacing and placement is uniform and in accordance with the "Texas Manual on Uniform Traffic Control Devices" (TMUTCD).
- Channelizing devices shown on this sheet may have a driveable, fixed or portable base. The requirement for self-righting channelizing devices must be specified in the General Notes or other plan sheets.
- Channelizing devices on self-righting supports should be used in work zone areas where channelizing devices are frequently impacted by errant vehicles or vehicle related wind gusts making alignment of the channelizing devices difficult to maintain. Locations of these devices shall be detailed elsewhere in the plans. These devices shall conform to the TMUTCD and the "Compliant Work Zone Traffic Control Devices List" (CWZTCD).
- The Contractor shall maintain devices in a clean condition and replace damaged, nonreflective, faded, or broken devices and bases as required by the Engineer/Inspector. The Contractor shall be required to maintain proper device spacing and alignment.
- Portable bases shall be fabricated from virgin and/or recycled rubber. The portable bases shall weigh a minimum of 30 lbs.
- Pavement surfaces shall be prepared in a manner that ensures proper bonding between the adhesives, the fixed mount bases and the pavement surface. Adhesives shall be prepared and applied according to the manufacturer's recommendations.
- The installation and removal of channelizing devices shall not cause detrimental effects to the final pavement surfaces, including pavement surface discoloration or surface integrity. Driveable bases shall not be permitted on final pavement surfaces. The Engineer/Inspector shall approve all application and removal procedures of fixed bases.

Posted Speed	Formula	Minimum Desirable Taper Lengths * X			Suggested Maximum Spacing of Channelizing Devices	
		10' Offset	11' Offset	12' Offset	On a Taper	On a Tangent
30	$L = \frac{WS^2}{60}$	150'	165'	180'	30'	60'
35		205'	225'	245'	35'	70'
40		265'	295'	320'	40'	80'
45	L = WS	450'	495'	540'	45'	90'
50		500'	550'	600'	50'	100'
55		550'	605'	660'	55'	110'
60		600'	660'	720'	60'	120'
65		650'	715'	780'	65'	130'
70		700'	770'	840'	70'	140'
75		750'	825'	900'	75'	150'
80		800'	880'	960'	80'	160'

*X Taper lengths have been rounded off.
 L=Length of Taper (FT.) W=Width of Offset (FT.)
 S=Posted Speed (MPH)

SUGGESTED MAXIMUM SPACING OF CHANNELIZING DEVICES AND MINIMUM DESIRABLE TAPER LENGTHS

SHEET 9 OF 12



BARRICADE AND CONSTRUCTION CHANNELIZING DEVICES

BC (9) - 21

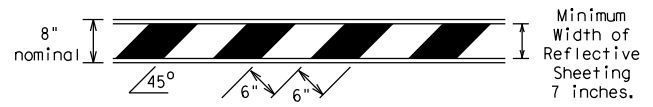
FILE:	bc-21.dgn	DN:	TxDOT	CK:	TxDOT	DW:	TxDOT	CK:	TxDOT
© TxDOT	November 2002	CONT	SECT	JOB	HIGHWAY				
REVISIONS		0275	01	244	IH 40				
9-07	8-14	DIST	COUNTY	SHEET NO.					
7-13	5-21	AMA	POTTER	16					

DATE: 2/7/2024 9:46:54 AM
 FILE: K:\01509\01509-0027-10 TxDOT AMA PS&E IH 40\TRAFFIC\SWA1\Standards\bc-21 (4).dgn
 DISCLAIMER: The use of this standard is governed by the "Texas Engineering Practice Act". No warranty of any kind is made by TxDOT for any purpose whatsoever. TxDOT assumes no responsibility for the conversion of this standard to other formats or for incorrect results or damages resulting from its use.

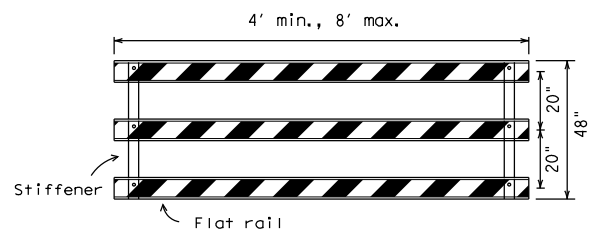
TYPE 3 BARRICADES

1. Refer to the Compliant Work Zone Traffic Control Devices List (CWZTCD) for details of the Type 3 Barricades and a list of all materials used in the construction of Type 3 Barricades.
2. Type 3 Barricades shall be used at each end of construction projects closed to all traffic.
3. Barricades extending across a roadway should have stripes that slope downward in the direction toward which traffic must turn in detouring. When both right and left turns are provided, the chevron striping may slope downward in both directions from the center of the barricade. Where no turns are provided at a closed road, striping should slope downward in both directions toward the center of roadway.
4. Striping of rails, for the right side of the roadway, should slope downward to the left. For the left side of the roadway, striping should slope downward to the right.
5. Identification markings may be shown only on the back of the barricade rails. The maximum height of letters and/or company logos used for identification shall be 1".
6. Barricades shall not be placed parallel to traffic unless an adequate clear zone is provided.
7. Warning lights shall NOT be installed on barricades.
8. Where barricades require the use of weights to keep from turning over, the use of sandbags with dry, cohesionless sand is recommended. The sandbags will be tied shut to keep the sand from spilling and to maintain a constant weight. Sand bags shall not be stacked in a manner that covers any portion of a barricade rails reflective sheeting. Rock, concrete, iron, steel or other solid objects will NOT be permitted. Sandbags should weigh a minimum of 35 lbs and a maximum of 50 lbs. Sandbags shall be made of a durable material that tears upon vehicular impact. Rubber (such as tire inner tubes) shall not be used for sandbags. Sandbags shall only be placed along or upon the base supports of the device and shall not be suspended above ground level or hung with rope, wire, chains or other fasteners.
9. Sheeting for barricades shall be retroreflective Type A or Type B conforming to Departmental Material Specification DMS-8300 unless otherwise noted.

Barricades shall NOT be used as a sign support.



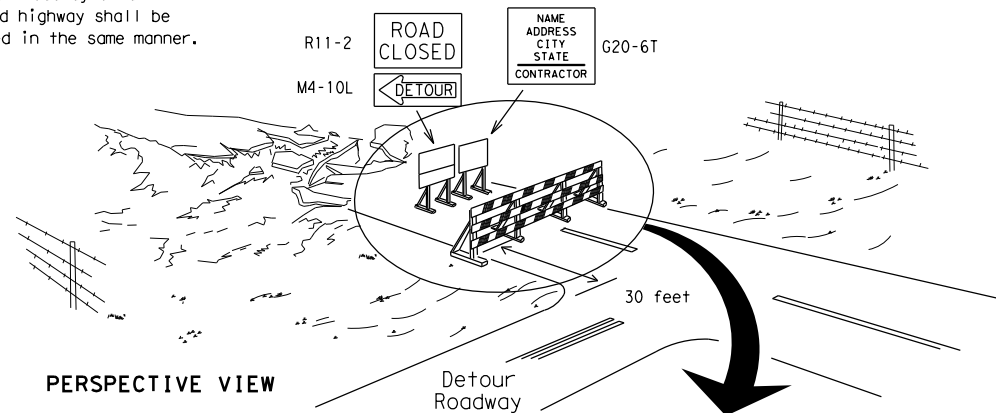
TYPICAL STRIPING DETAIL FOR BARRICADE RAIL



Stiffener may be inside or outside of support, but no more than 2 stiffeners shall be allowed on one barricade.

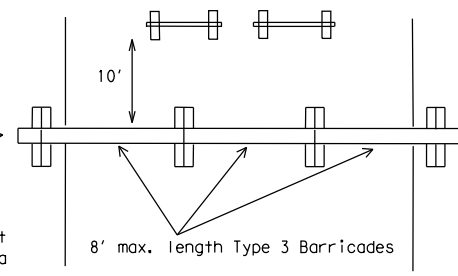
TYPICAL PANEL DETAIL FOR SKID OR POST TYPE BARRICADES

Each roadway of a divided highway shall be barricaded in the same manner.



PERSPECTIVE VIEW

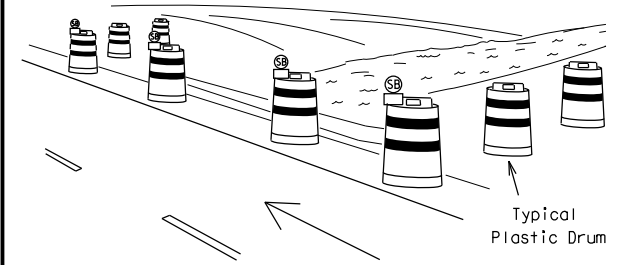
The three rails on Type 3 barricades shall be reflectorized orange and reflective white stripes on one side facing one-way traffic and both sides for two-way traffic. Barricade striping should slant downward in the direction of detour.



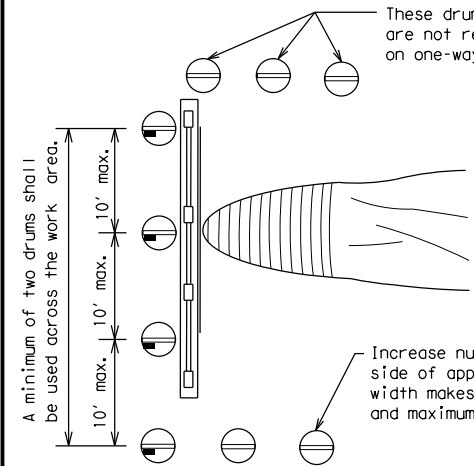
PLAN VIEW

1. Signs should be mounted on independent supports at a 7 foot mounting height in center of roadway. The signs should be a minimum of 10 feet behind Type 3 Barricades.
2. Advance signing shall be as specified elsewhere in the plans.

TYPE 3 BARRICADE (POST AND SKID) TYPICAL APPLICATION



PERSPECTIVE VIEW

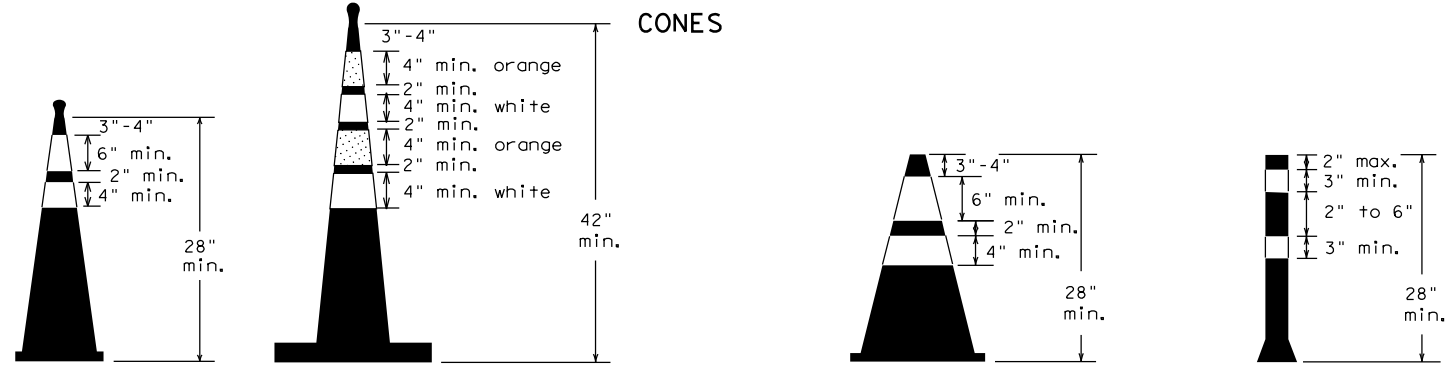


PLAN VIEW

1. Where positive redirection capability is provided, drums may be omitted.
2. Plastic construction fencing may be used with drums for safety as required in the plans.
3. Vertical Panels on flexible support may be substituted for drums when the shoulder width is less than 4 feet.
4. When the shoulder width is greater than 12 feet, steady-burn lights may be omitted if drums are used.
5. Drums must extend the length of the culvert widening.

LEGEND	
	Plastic drum
	Plastic drum with steady burn light or yellow warning reflector
	Steady burn warning light or yellow warning reflector

CULVERT WIDENING OR OTHER ISOLATED WORK WITHIN THE PROJECT LIMITS



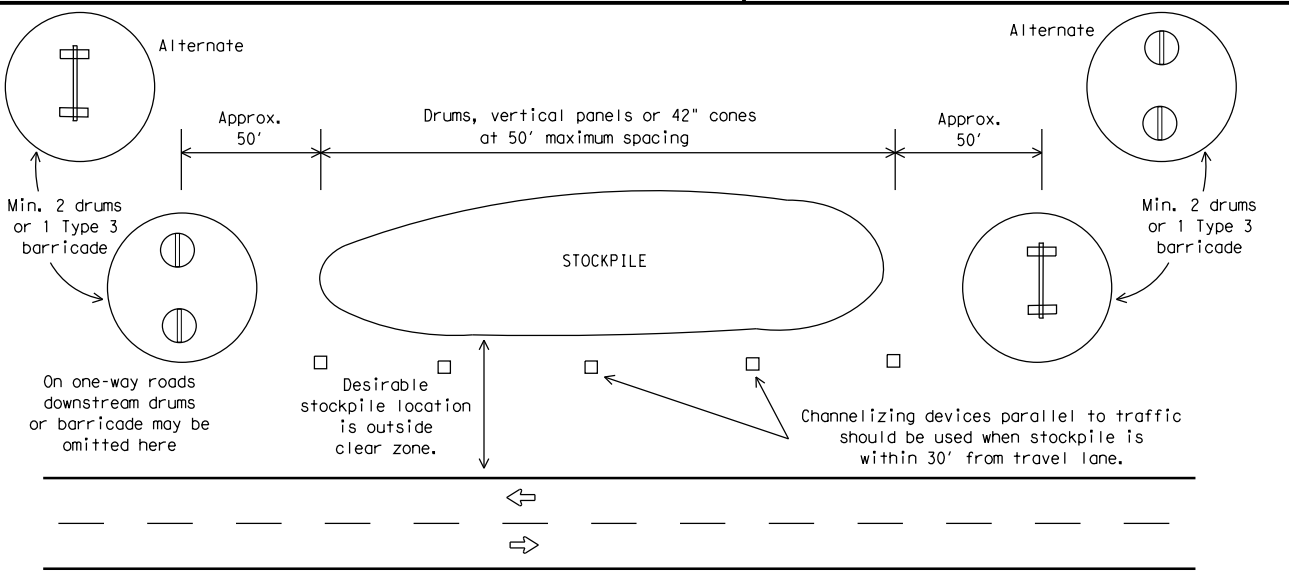
Two-Piece cones

One-Piece cones

Tubular Marker

28" Cones shall have a minimum weight of 9 1/2 lbs.
 42" 2-piece cones shall have a minimum weight of 30 lbs. including base.

1. Traffic cones and tubular markers shall be predominantly orange, and meet the height and weight requirements shown above.
2. One-piece cones have the body and base of the cone molded in one consolidated unit. Two-piece cones have a cone shaped body and a separate rubber base, or ballast, that is added to keep the device upright and in place.
3. Two-piece cones may have a handle or loop extending up to 8" above the minimum height shown, in order to aid in retrieving the device.
4. Cones or tubular markers shall have white or white and orange reflective bands as shown above. The reflective bands shall have a smooth, sealed outer surface and meet the requirements of Departmental Material Specification DMS-8300 Type A or Type B.
5. 28" cones and tubular markers are generally suitable for short duration and short-term stationary work as defined on BC(4). These should not be used for intermediate-term or long-term stationary work unless personnel is on-site to maintain them in their proper upright position.
6. 42" two-piece cones, vertical panels or drums are suitable for all work zone durations.
7. Cones or tubular markers used on each project should be of the same size and shape.



TRAFFIC CONTROL FOR MATERIAL STOCKPILES

BARRICADE AND CONSTRUCTION CHANNELIZING DEVICES

BC (10) - 21

FILE: bc-21.dgn	DN: TxDOT	CK: TxDOT	DW: TxDOT	CK: TxDOT
© TxDOT November 2002	CONT	SECT	JOB	HIGHWAY
REVISIONS	0275	01	244	IH 40
9-07 8-14	DIST	COUNTY	SHEET NO.	
7-13 5-21	AMA	POTTER	17	

WORK ZONE PAVEMENT MARKINGS

GENERAL

- The Contractor shall be responsible for maintaining work zone and existing pavement markings, in accordance with the standard specifications and special provisions, on all roadways open to traffic within the CSJ limits unless otherwise stated in the plans.
- Color, patterns and dimensions shall be in conformance with the "Texas Manual on Uniform Traffic Control Devices" (TMUTCD).
- Additional supplemental pavement marking details may be found in the plans or specifications.
- Pavement markings shall be installed in accordance with the TMUTCD and as shown on the plans.
- When short term markings are required on the plans, short term markings shall conform with the TMUTCD, the plans and details as shown on the Standard Plan Sheet WZ(STPM).
- When standard pavement markings are not in place and the roadway is opened to traffic, DO NOT PASS signs shall be erected to mark the beginning of the sections where passing is prohibited and PASS WITH CARE signs at the beginning of sections where passing is permitted.
- All work zone pavement markings shall be installed in accordance with Item 662, "Work Zone Pavement Markings."

RAISED PAVEMENT MARKERS

- Raised pavement markers are to be placed according to the patterns on BC(12).
- All raised pavement markers used for work zone markings shall meet the requirements of Item 672, "RAISED PAVEMENT MARKERS" and Departmental Material Specification DMS-4200 or DMS-4300.

PREFABRICATED PAVEMENT MARKINGS

- Removable prefabricated pavement markings shall meet the requirements of DMS-8241.
- Non-removable prefabricated pavement markings (foil back) shall meet the requirements of DMS-8240.

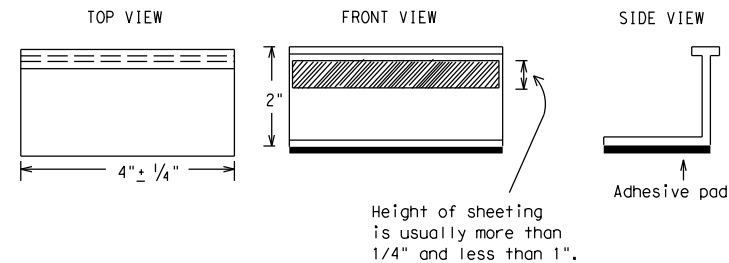
MAINTAINING WORK ZONE PAVEMENT MARKINGS

- The Contractor will be responsible for maintaining work zone pavement markings within the work limits.
- Work zone pavement markings shall be inspected in accordance with the frequency and reporting requirements of work zone traffic control device inspections as required by Form 599.
- The markings should provide a visible reference for a minimum distance of 300 feet during normal daylight hours and 160 feet when illuminated by automobile low-beam headlights at night, unless sight distance is restricted by roadway geometrics.
- Markings failing to meet this criteria within the first 30 days after placement shall be replaced at the expense of the Contractor as per Specification Item 662.

REMOVAL OF PAVEMENT MARKINGS

- Pavement markings that are no longer applicable, could create confusion or direct a motorist toward or into the closed portion of the roadway shall be removed or obliterated before the roadway is opened to traffic.
- The above shall not apply to detours in place for less than three days, where flaggers and/or sufficient channelizing devices are used in lieu of markings to outline the detour route.
- Pavement markings shall be removed to the fullest extent possible, so as not to leave a discernable marking. This shall be by any method approved by TxDOT Specification Item 677 for "Eliminating Existing Pavement Markings and Markers".
- The removal of pavement markings may require resurfacing or seal coating portions of the roadway as described in Item 677.
- Subject to the approval of the Engineer, any method that proves to be successful on a particular type pavement may be used.
- Blast cleaning may be used but will not be required unless specifically shown in the plans.
- Over-painting of the markings SHALL NOT BE permitted.
- Removal of raised pavement markers shall be as directed by the Engineer.
- Removal of existing pavement markings and markers will be paid for directly in accordance with Item 677, "ELIMINATING EXISTING PAVEMENT MARKINGS AND MARKERS," unless otherwise stated in the plans.
- Black-out marking tape may be used to cover conflicting existing markings for periods less than two weeks when approved by the Engineer.

Temporary Flexible-Reflective Roadway Marker Tabs



**STAPLES OR NAILS SHALL NOT BE USED TO SECURE
TEMPORARY FLEXIBLE-REFLECTIVE ROADWAY MARKER
TABS TO THE PAVEMENT SURFACE**

- Temporary flexible-reflective roadway marker tabs used as guidemarks shall meet the requirements of DMS-8242.
- Tabs detailed on this sheet are to be inspected and accepted by the Engineer or designated representative. Sampling and testing is not normally required, however at the option of the Engineer, either "A" or "B" below may be imposed to assure quality before placement on the roadway.
 - Select five (5) or more tabs at random from each lot or shipment and submit to the Construction Division, Materials and Pavement Section to determine specification compliance.
 - Select five (5) tabs and perform the following test. Affix five (5) tabs at 24 inch intervals on an asphaltic pavement in a straight line. Using a medium size passenger vehicle or pickup, run over the markers with the front and rear tires at a speed of 35 to 40 miles per hour, four (4) times in each direction. No more than one (1) out of the five (5) reflective surfaces shall be lost or displaced as a result of this test.
- Small design variances may be noted between tab manufacturers.
- See Standard Sheet WZ(STPM) for tab placement on new pavements. See Standard Sheet TCP(7-1) for tab placement on seal coat work.

RAISED PAVEMENT MARKERS USED AS GUIDEMARKS

- Raised pavement markers used as guidemarks shall be from the approved product list, and meet the requirements of DMS-4200.
- All temporary construction raised pavement markers provided on a project shall be of the same manufacturer.
- Adhesive for guidemarks shall be bituminous material hot applied or butyl rubber pad for all surfaces, or thermoplastic for concrete surfaces.

Guidemarks shall be designated as:
 YELLOW - (two amber reflective surfaces with yellow body).
 WHITE - (one silver reflective surface with white body).

DEPARTMENTAL MATERIAL SPECIFICATIONS	
PAVEMENT MARKERS (REFLECTORIZED)	DMS-4200
TRAFFIC BUTTONS	DMS-4300
EPOXY AND ADHESIVES	DMS-6100
BITUMINOUS ADHESIVE FOR PAVEMENT MARKERS	DMS-6130
PERMANENT PREFABRICATED PAVEMENT MARKINGS	DMS-8240
TEMPORARY REMOVABLE, PREFABRICATED PAVEMENT MARKINGS	DMS-8241
TEMPORARY FLEXIBLE, REFLECTIVE ROADWAY MARKER TABS	DMS-8242

A list of prequalified reflective raised pavement markers, non-reflective traffic buttons, roadway marker tabs and other pavement markings can be found at the Material Producer List web address shown on BC(1).

SHEET 11 OF 12



BARRICADE AND CONSTRUCTION PAVEMENT MARKINGS

BC(11)-21

FILE: bc-21.dgn	DN: TxDOT	CK: TxDOT	DW: TxDOT	CK: TxDOT
© TxDOT February 1998	CONT	SECT	JOB	HIGHWAY
REVISIONS	0275	01	244	IH 40
2-98 9-07 5-21	DIST	COUNTY	SHEET NO.	
1-02 7-13	AMA	POTTER	18	
11-02 8-14				

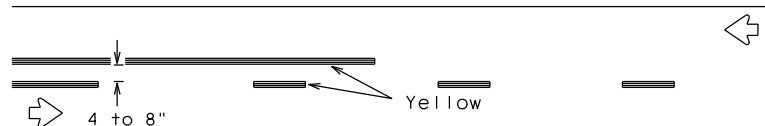
DISCLAIMER: The use of this standard is governed by the "Texas Engineering Practice Act". No warranty of any kind is made by TxDOT for any purpose whatsoever. TxDOT assumes no responsibility for the conversion of this standard to other formats or for incorrect results or damages resulting from its use.

DATE: 2/7/2024 9:46:54 AM
 FILE: K:\01509\01509-0027-10 TxDOT AMA PS&E_IH_40\TRAFFIC\SWA1\Standards\bc-21(4).dgn

PAVEMENT MARKING PATTERNS

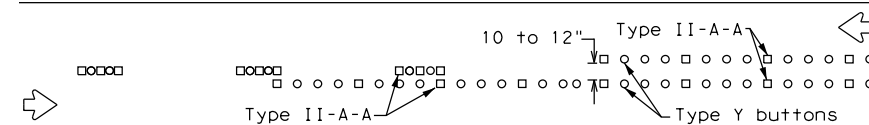


REFLECTORIZED PAVEMENT MARKINGS - PATTERN A

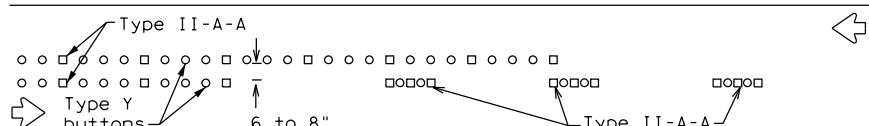


REFLECTORIZED PAVEMENT MARKINGS - PATTERN B

Pattern A is the TXDOT Standard, however Pattern B may be used if approved by the Engineer. Prefabricated markings may be substituted for reflectORIZED pavement markings.

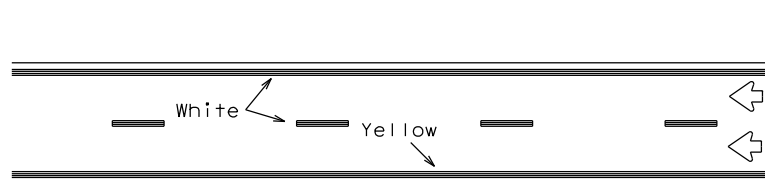


RAISED PAVEMENT MARKERS - PATTERN A



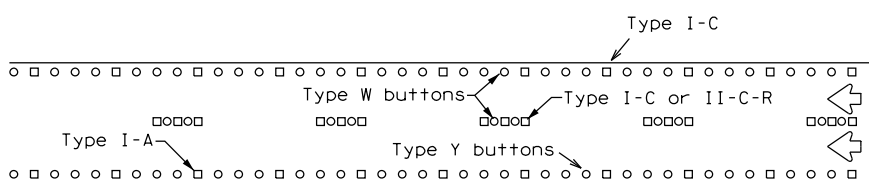
RAISED PAVEMENT MARKERS - PATTERN B

CENTER LINE & NO-PASSING ZONE BARRIER LINES FOR TWO-LANE, TWO-WAY HIGHWAYS



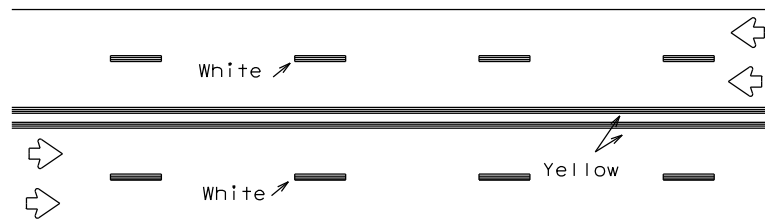
REFLECTORIZED PAVEMENT MARKINGS

Prefabricated markings may be substituted for reflectORIZED pavement markings.



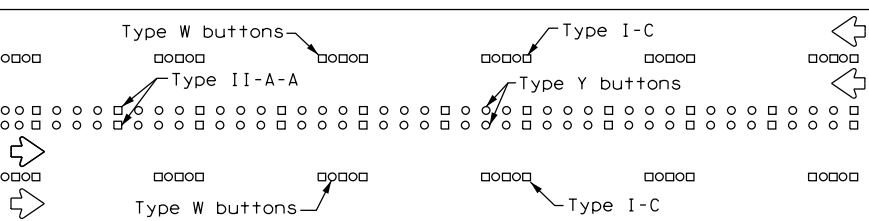
RAISED PAVEMENT MARKERS

EDGE & LANE LINES FOR DIVIDED HIGHWAY



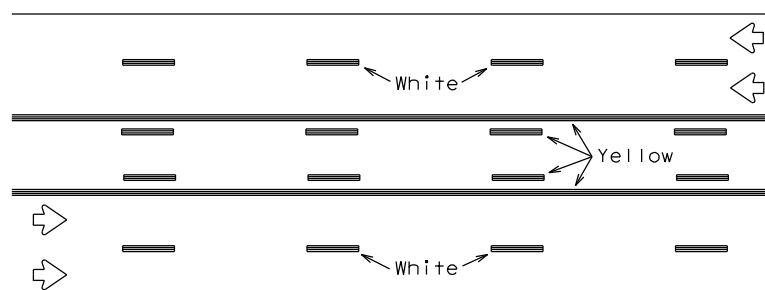
REFLECTORIZED PAVEMENT MARKINGS

Prefabricated markings may be substituted for reflectORIZED pavement markings.



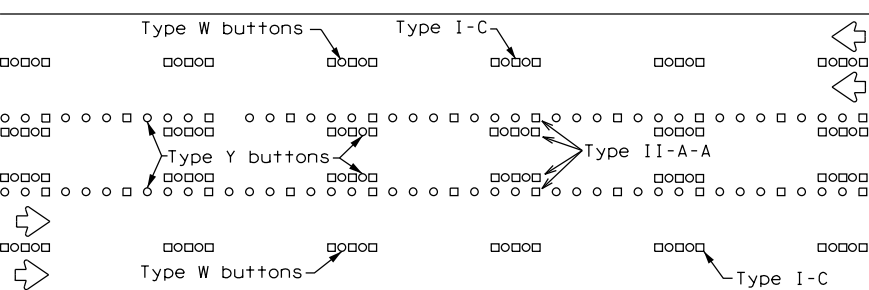
RAISED PAVEMENT MARKERS

LANE & CENTER LINES FOR MULTILANE UNDIVIDED HIGHWAYS



REFLECTORIZED PAVEMENT MARKINGS

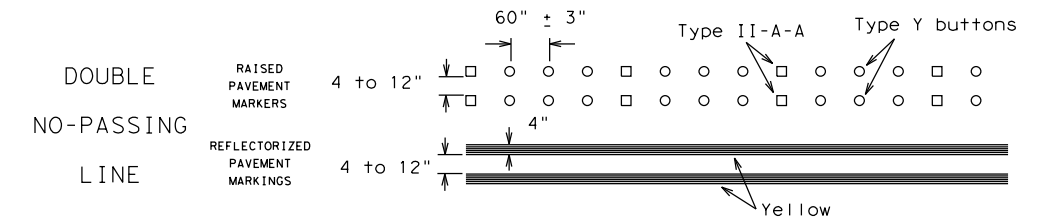
Prefabricated markings may be substituted for reflectORIZED pavement markings.



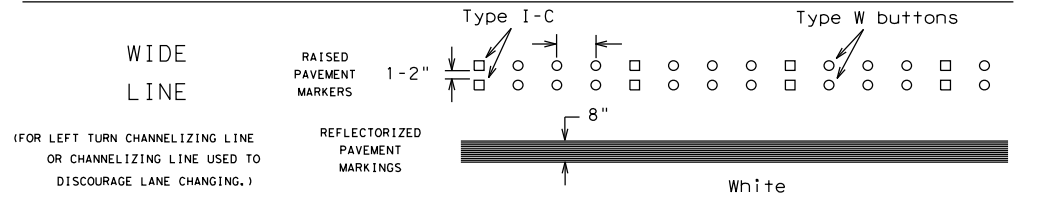
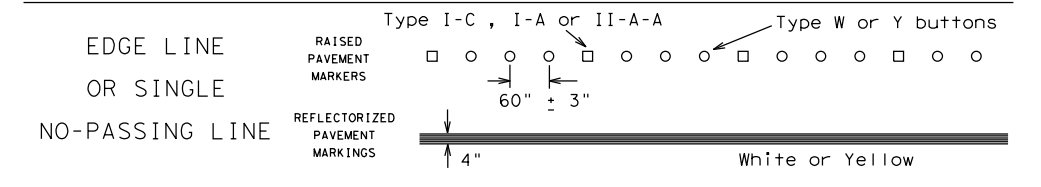
RAISED PAVEMENT MARKERS

TWO-WAY LEFT TURN LANE

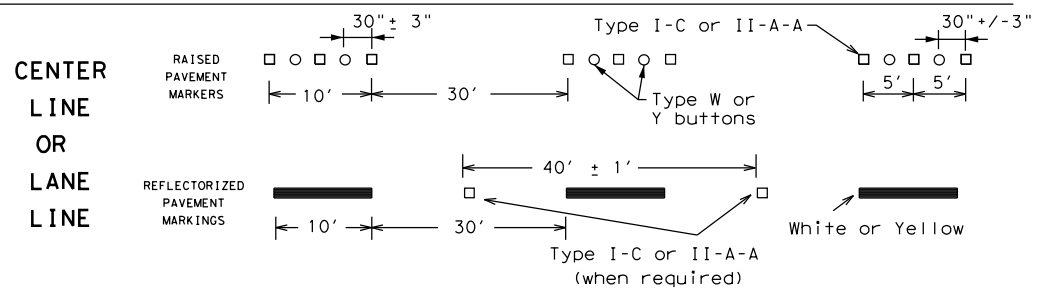
STANDARD WORK ZONE PAVEMENT MARKINGS DETAILS



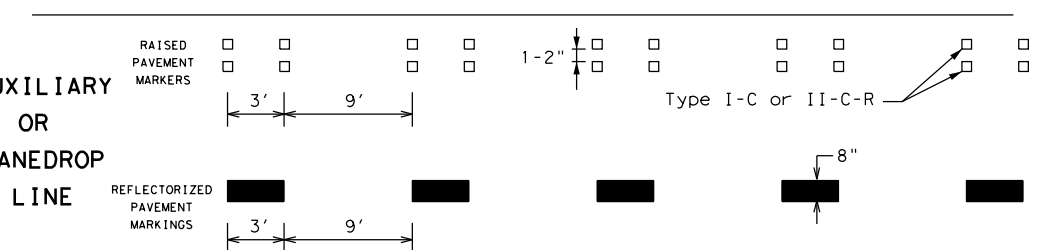
SOLID LINES



BROKEN LINES

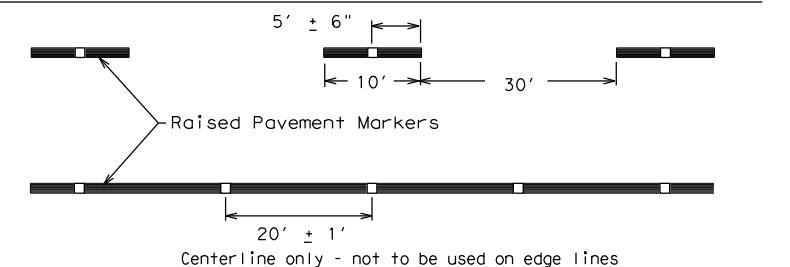


AUXILIARY OR LANEDROP LINE



REMOVABLE MARKINGS WITH RAISED PAVEMENT MARKERS

If raised pavement markers are used to supplement REMOVABLE markings, the markers shall be applied to the top of the tape at the approximate mid length of tape used for broken lines or at 20 foot spacing for solid lines. This allows an easier removal of raised pavement markers and tape.



SHEET 12 OF 12



BARRICADE AND CONSTRUCTION PAVEMENT MARKING PATTERNS

BC(12)-21

FILE: bc-21.dgn	DN: TxDOT	CK: TxDOT	DW: TxDOT	CK: TxDOT
©TxDOT February 1998	CONT	SECT	JOB	HIGHWAY
REVISIONS	0275	01	244	IH 40
1-97 9-07 5-21	DIST	COUNTY	SHEET NO.	
2-98 7-13	AMA	POTTER	19	
11-02 8-14				

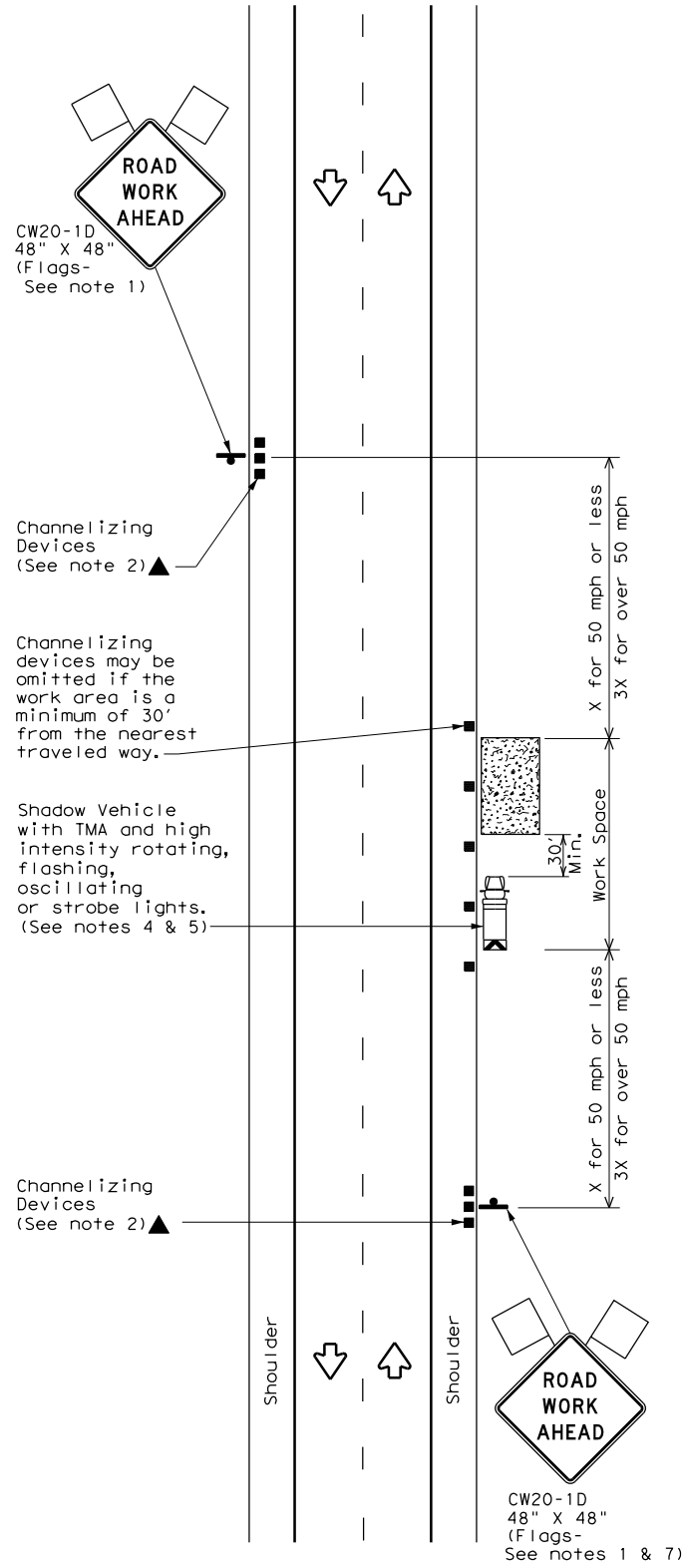
Raised pavement markers used as standard pavement markings shall be from the approved products list and meet the requirements of Item 672 "RAISED PAVEMENT MARKERS."

DISCLAIMER: The use of this standard is governed by the "Texas Engineering Practice Act". No warranty of any kind is made by TXDOT for any purpose whatsoever. TXDOT assumes no responsibility for the conversion of this standard to other formats or for incorrect results or damages resulting from its use.

DATE: 2/7/2024 9:46:54 AM
FILE: K:\01509\01509-0027-10 TxDOT AMA PS&E_IH_40\TRAFFIC\SWA1\Standards\bc-21 (4).dgn

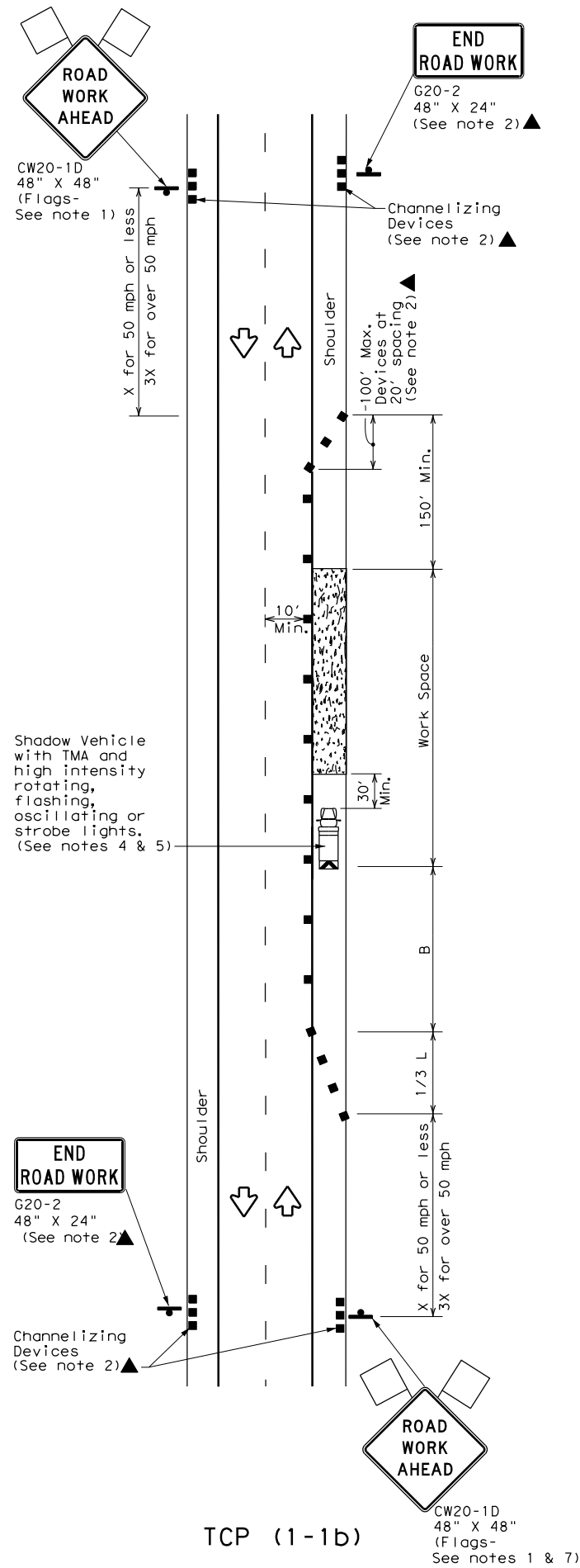
DISCLAIMER: The use of this standard is governed by the "Texas Engineering Practice Act". No warranty of any kind is made by TxDOT for any purpose whatsoever. TxDOT assumes no responsibility for the conversion of this standard into other formats or for incorrect results or damages resulting from its use.

DATE: 2/7/2024 9:46:55 AM
 FILE: K:\01509\01509-0027-10 TxDOT AMA PS&E IH 40\TRAFFIC\SWA1\Standards\TCP\1-18.dgn



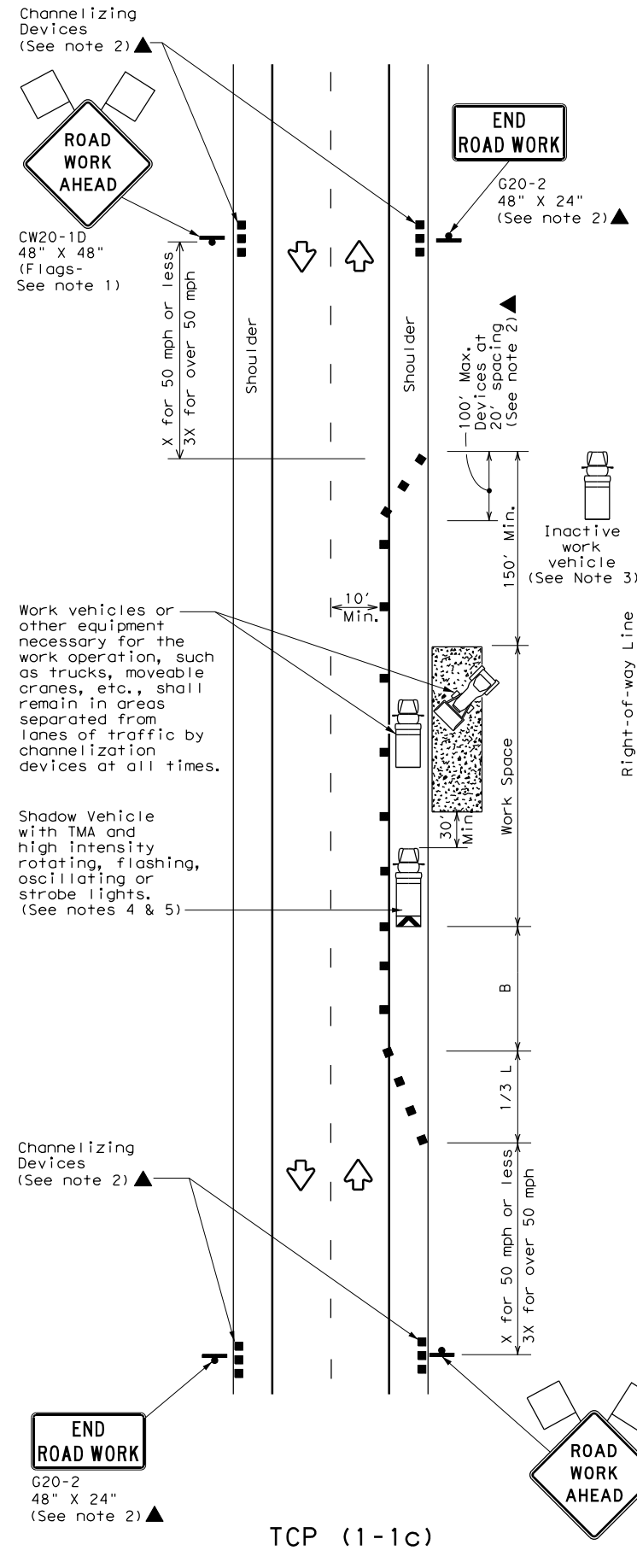
TCP (1-1a)

WORK SPACE NEAR SHOULDER
 Conventional Roads



TCP (1-1b)

WORK SPACE ON SHOULDER
 Conventional Roads



TCP (1-1c)

WORK VEHICLES ON SHOULDER
 Conventional Roads

LEGEND			
	Type 3 Barricade		Channelizing Devices
	Heavy Work Vehicle		Truck Mounted Attenuator (TMA)
	Trailer Mounted Flashing Arrow Board		Portable Changeable Message Sign (PCMS)
	Sign		Traffic Flow
	Flag		Flagger

Posted Speed *	Formula	Minimum Desirable Taper Lengths **			Suggested Maximum Spacing of Channelizing Devices		Minimum Sign Spacing "X" Distance	Suggested Longitudinal Buffer Space "B"
		10' Offset	11' Offset	12' Offset	On a Taper	On a Tangent		
30	$L = \frac{WS^2}{60}$	150'	165'	180'	30'	60'	120'	90'
35		205'	225'	245'	35'	70'	160'	120'
40		265'	295'	320'	40'	80'	240'	155'
45	L = WS	450'	495'	540'	45'	90'	320'	195'
50		500'	550'	600'	50'	100'	400'	240'
55		550'	605'	660'	55'	110'	500'	295'
60		600'	660'	720'	60'	120'	600'	350'
65		650'	715'	780'	65'	130'	700'	410'
70		700'	770'	840'	70'	140'	800'	475'
75		750'	825'	900'	75'	150'	900'	540'

* Conventional Roads Only
 ** Taper lengths have been rounded off.
 L=Length of Taper (FT) W=Width of Offset (FT) S=Posted Speed (MPH)

TYPICAL USAGE				
MOBILE	SHORT DURATION	SHORT TERM STATIONARY	INTERMEDIATE TERM STATIONARY	LONG TERM STATIONARY
	✓	✓		

GENERAL NOTES

- Flags attached to signs where shown are REQUIRED.
- All traffic control devices illustrated are REQUIRED, except those denoted with the triangle symbol may be omitted when stated elsewhere in the plans, or for routine maintenance work, when approved by the Engineer.
- Inactive work vehicles or other equipment should be parked near the right-of-way line and not parked on the paved shoulder.
- A Shadow Vehicle with a TMA should be used anytime it can be positioned 30 to 100 feet in advance of the area of crew exposure without adversely affecting the performance or quality of the work. If workers are no longer present but road or work conditions require the traffic control to remain in place, Type 3 Barricades or other channelizing devices may be substituted for the Shadow Vehicle and TMA.
- Additional Shadow Vehicles with TMAs may be positioned off the paved surface, next to those shown in order to protect wider work spaces.
- See TCP(5-1) for shoulder work on divided highways, expressways and freeways.
- CW21-5 "SHOULDER WORK" signs may be used in place of CW20-1D "ROAD WORK AHEAD" signs for shoulder work on conventional roadways.



TRAFFIC CONTROL PLAN
CONVENTIONAL ROAD
SHOULDER WORK

TCP (1-1) - 18

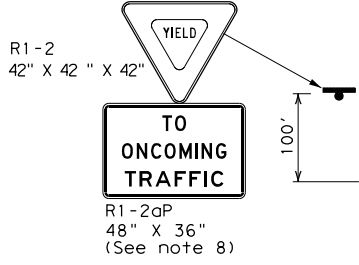
FILE: tcp1-1-18.dgn	DN:	CK:	DW:	CK:
© TxDOT December 1985	CON:	SECT:	JOB:	HIGHWAY:
REVISIONS	0275	01	244	IH 40
2-94 4-98	DIST:	COUNTY:	SHEET NO.:	
8-95 2-12	AMA	POTTER	20	
1-97 2-18				

DATE: 2/7/2024 9:46:55 AM
 FILE: K:\01509\01509-0027-10 TxDOT AMA PS&E IH 40\TRAFFIC\SWA1\Standards\T&E\1-18\1-18.dgn

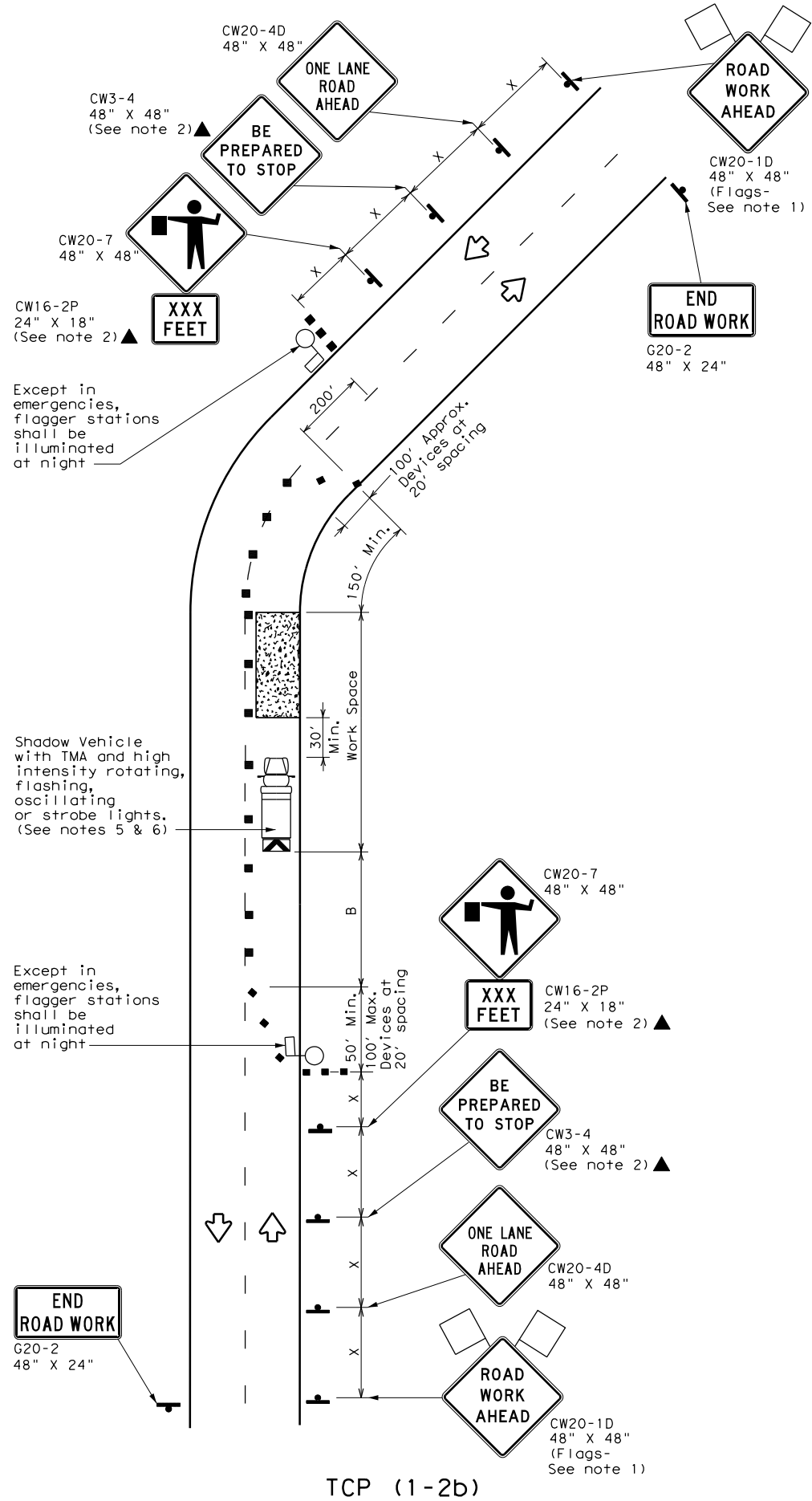
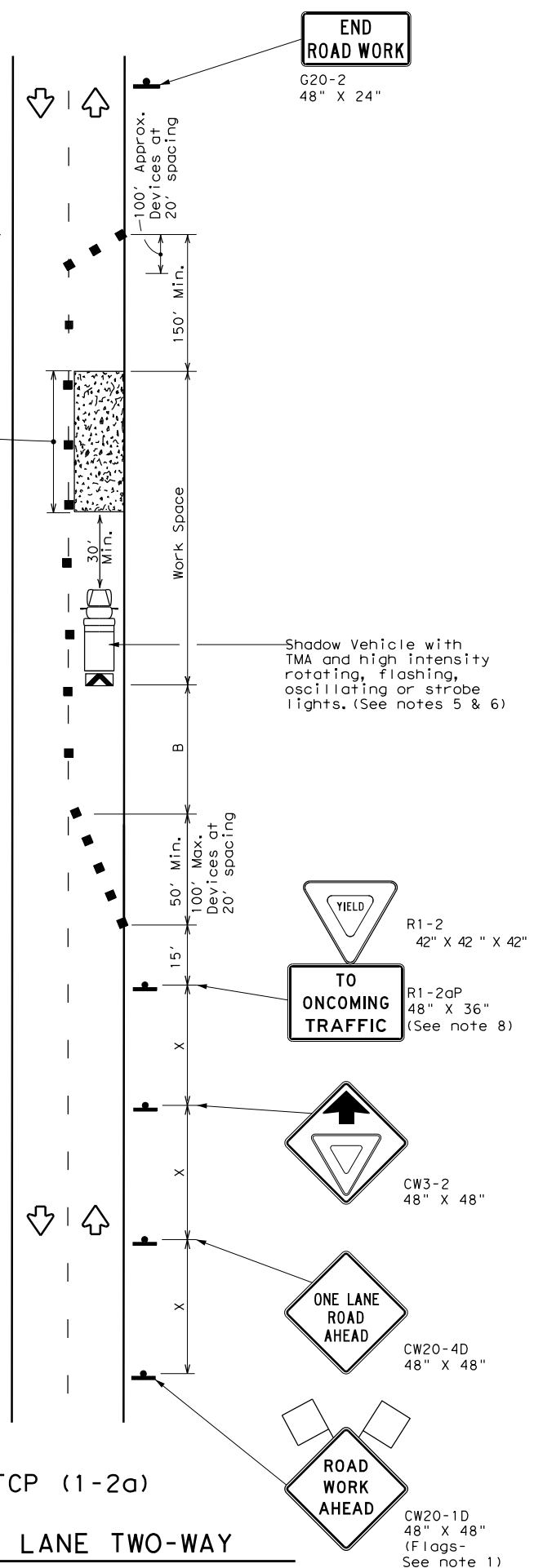
DISCLAIMER:

The use of this standard is governed by the "Texas Engineering Practice Act". No warranty of any kind is made by TxDOT for any purpose whatsoever. TxDOT assumes no responsibility for the conversion of this standard into other formats or for incorrect results or damages resulting from its use.

Warning Sign Sequence in Opposite Direction Same as Below



Channelizing devices separate work space from traveled way



LEGEND			
	Type 3 Barricade		Channelizing Devices
	Heavy Work Vehicle		Truck Mounted Attenuator (TMA)
	Trailer Mounted Flashing Arrow Board		Portable Changeable Message Sign (PCMS)
	Sign		Traffic Flow
	Flag		Flagger

Posted Speed * X	Formula L = WS ² / 60	Minimum Desirable Taper Lengths **			Suggested Maximum Spacing of Channelizing Devices		Minimum Sign Spacing "X" Distance	Suggested Longitudinal Buffer Space "B"	Stopping Sight Distance
		10' Offset	11' Offset	12' Offset	On a Taper	On a Tangent			
30	L = WS ² / 60	150'	165'	180'	30'	60'	120'	90'	200'
35		205'	225'	245'	35'	70'	160'	120'	250'
40	L = WS	265'	295'	320'	40'	80'	240'	155'	305'
45		450'	495'	540'	45'	90'	320'	195'	360'
50	L = WS	500'	550'	600'	50'	100'	400'	240'	425'
55		550'	605'	660'	55'	110'	500'	295'	495'
60	L = WS	600'	660'	720'	60'	120'	600'	350'	570'
65		650'	715'	780'	65'	130'	700'	410'	645'
70	L = WS	700'	770'	840'	70'	140'	800'	475'	730'
75		750'	825'	900'	75'	150'	900'	540'	820'

* Conventional Roads Only
 ** Taper lengths have been rounded off.
 L=Length of Taper (FT) W=Width of Offset (FT) S=Posted Speed (MPH)

TYPICAL USAGE				
MOBILE	SHORT DURATION	SHORT TERM STATIONARY	INTERMEDIATE TERM STATIONARY	LONG TERM STATIONARY
	✓	✓		

GENERAL NOTES

- Flags attached to signs where shown are REQUIRED.
 - All traffic control devices illustrated are REQUIRED, except those denoted with the triangle symbol may be omitted when stated elsewhere in the plans, or for routine maintenance work, when approved by the Engineer.
 - The CW3-4 "BE PREPARED TO STOP" sign may be installed after the CW20-4D "ONE LANE ROAD AHEAD" sign, but proper sign spacing shall be maintained.
 - Sign spacing may be increased or an additional CW20-1D "ROAD WORK AHEAD" sign may be used if advance warning ahead of the flagger or R1-2 "YIELD" sign is less than 1500 feet.
 - A Shadow Vehicle with a TMA should be used anytime it can be positioned 30 to 100 feet in advance of the area of crew exposure without adversely affecting the performance or quality of the work. If workers are no longer present but road or work conditions require the traffic control to remain in place, Type 3 Barricades or other channelizing devices may be substituted for the Shadow Vehicle and TMA.
 - Additional Shadow Vehicles with TMAs may be positioned off the paved surface, next to those shown in order to protect wider work spaces.
- TCP (1-2a)**
- R1-2 "YIELD" sign traffic control may be used on projects with approaches that have adequate sight distance. For projects in urban areas, work spaces should be no longer than one half city block. In rural areas on roadways with less than 2000 ADT, work spaces should be no longer than 400 feet.
 - R1-2 "YIELD" sign with R1-2aP "TO ONCOMING TRAFFIC" plaque shall be placed on a support at a 7 foot minimum mounting height.
- TCP (1-2b)**
- Flaggers should use two-way radios or other methods of communication to control traffic.
 - Length of work space should be based on the ability of flaggers to communicate.
 - If the work space is located near a horizontal or vertical curve, the buffer distances should be increased in order to maintain adequate stopping sight distance to the flagger and a queue of stopped vehicles (see table above).
 - Channelizing devices on the center-line may be omitted when a pilot car is leading traffic and approved by the Engineer.
 - Flaggers should use 24" STOP/SLOW paddles to control traffic. Flags should be limited to emergency situations.

Texas Department of Transportation Traffic Operations Division Standard

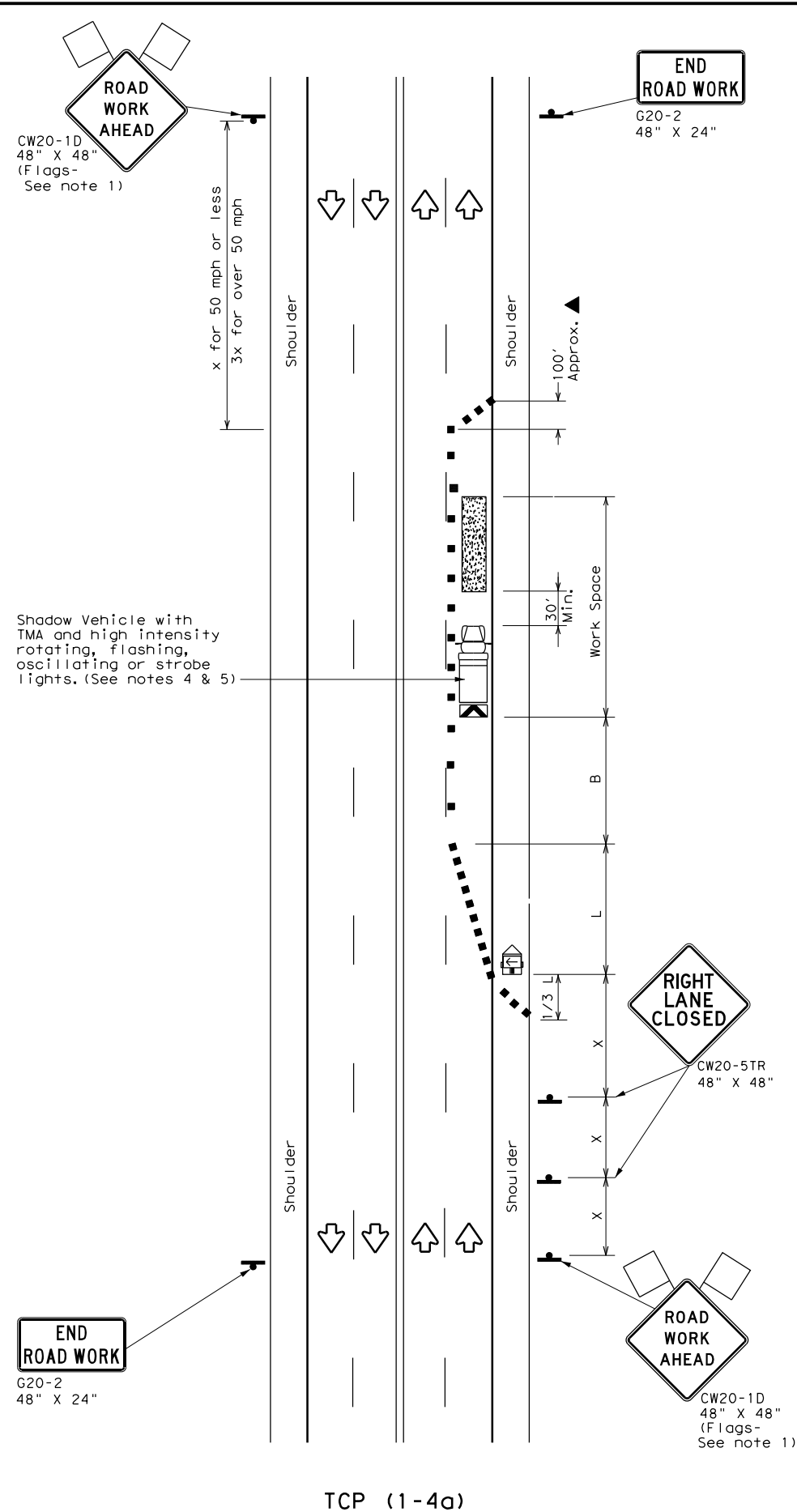
TRAFFIC CONTROL PLAN
ONE-LANE TWO-WAY
TRAFFIC CONTROL

TCP (1-2) - 18

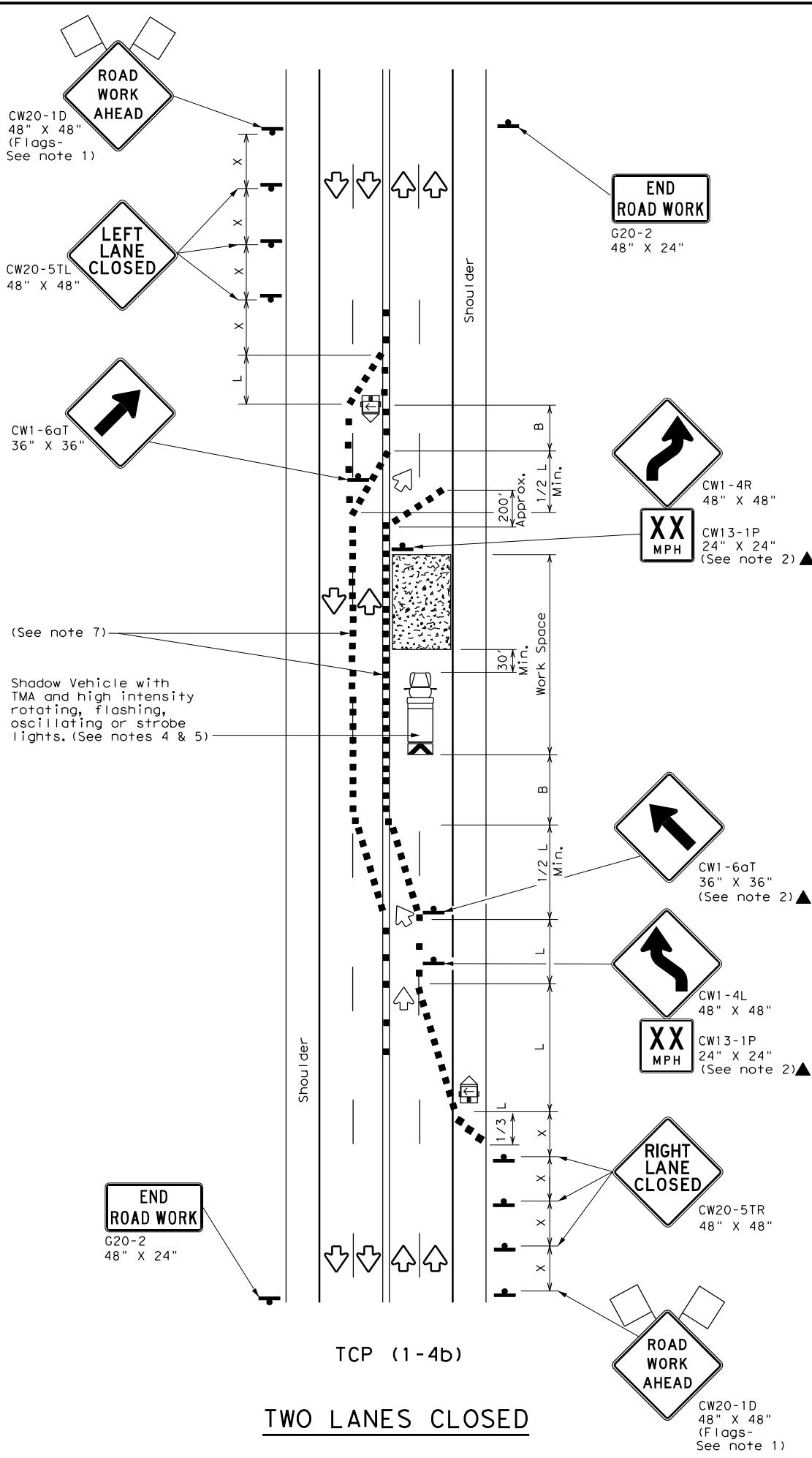
FILE: tcp1-2-18.dgn	DN:	CK:	DW:	CK:
© TxDOT December 1985	CON:	SECT:	JOB:	HIGHWAY:
REVISIONS	0275	01	244	IH 40
4-90 4-98	DIST:	COUNTY:	SHEET NO.:	
2-94 2-12	AMA	POTTER	21	
1-97 2-18				

DISCLAIMER: The use of this standard is governed by the "Texas Engineering Practice Act". No warranty of any kind is made by TxDOT for any purpose whatsoever. TxDOT assumes no responsibility for the conversion of this standard into other formats or for incorrect results or damages resulting from its use.

DATE: 2/7/2024 9:46:56 AM
 FILE: K:\01509\01509-0027-10 TxDOT AMA PS&E_IH_40_TRAFFIC\SWA1\Standards\TCP\1-4-18.dgn



TCP (1-4a)
 ONE LANE CLOSED



TCP (1-4b)
 TWO LANES CLOSED

LEGEND			
	Type 3 Barricade		Channelizing Devices
	Heavy Work Vehicle		Truck Mounted Attenuator (TMA)
	Trailer Mounted Flashing Arrow Board		Portable Changeable Message Sign (PCMS)
	Sign		Traffic Flow
	Flag		Flagger

Posted Speed *	Formula	Minimum Desirable Taper Lengths **			Suggested Maximum Spacing of Channelizing Devices		Minimum Sign Spacing "X" Distance	Suggested Longitudinal Buffer Space "B"
		10' Offset	11' Offset	12' Offset	On a Taper	On a Tangent		
30	$L = \frac{WS^2}{60}$	150'	165'	180'	30'	60'	120'	90'
35		205'	225'	245'	35'	70'	160'	120'
40		265'	295'	320'	40'	80'	240'	155'
45	$L = WS$	450'	495'	540'	45'	90'	320'	195'
50		500'	550'	600'	50'	100'	400'	240'
55		550'	605'	660'	55'	110'	500'	295'
60		600'	660'	720'	60'	120'	600'	350'
65		650'	715'	780'	65'	130'	700'	410'
70		700'	770'	840'	70'	140'	800'	475'
75		750'	825'	900'	75'	150'	900'	540'

* Conventional Roads Only
 ** Taper lengths have been rounded off.
 L=Length of Taper (FT) W=Width of Offset (FT) S=Posted Speed (MPH)

TYPICAL USAGE				
MOBILE	SHORT DURATION	SHORT TERM STATIONARY	INTERMEDIATE TERM STATIONARY	LONG TERM STATIONARY
	✓	✓		

- GENERAL NOTES**
- Flags attached to signs where shown are REQUIRED.
 - All traffic control devices illustrated are REQUIRED, except those denoted with the triangle symbol may be omitted when stated elsewhere in the plans, or for routine maintenance work, when approved by the Engineer.
 - The CW20-1D "ROAD WORK AHEAD" sign may be repeated if the visibility of the work zone is less than 1500 feet.
 - A Shadow Vehicle with a TMA should be used anytime it can be positioned 30 to 100 feet in advance of the area of crew exposure without adversely affecting the performance or quality of the work. If workers are no longer present but road or work conditions require the traffic control to remain in place, Type 3 Barricades or other channelizing devices may be substituted for the Shadow Vehicle and TMA.
 - Additional Shadow Vehicles with TMAs may be positioned off the paved surface, next to those shown in order to protect wider work spaces.

TCP (1-4a)

- If this TCP is used for a left lane closure, CW20-5TL "LEFT LANE CLOSED" signs shall be used and channelizing devices shall be placed on the centerline where needed to protect the work space from opposing traffic with the arrow panel placed in the closed lane near the end of the merging taper.

TCP (1-4b)

- Where traffic is directed over a yellow centerline, channelizing devices which separate two-way traffic should be spaced on tapers at 20' or 15' if posted speeds are 35 mph or slower, and for tangent sections, at 1/2S where S is the speed in mph. This tighter device spacing is intended for the areas of conflicting markings, not the entire work zone.

Texas Department of Transportation
 Traffic Operations Division Standard

**TRAFFIC CONTROL PLAN
 LANE CLOSURES ON MULTILANE
 CONVENTIONAL ROADS**

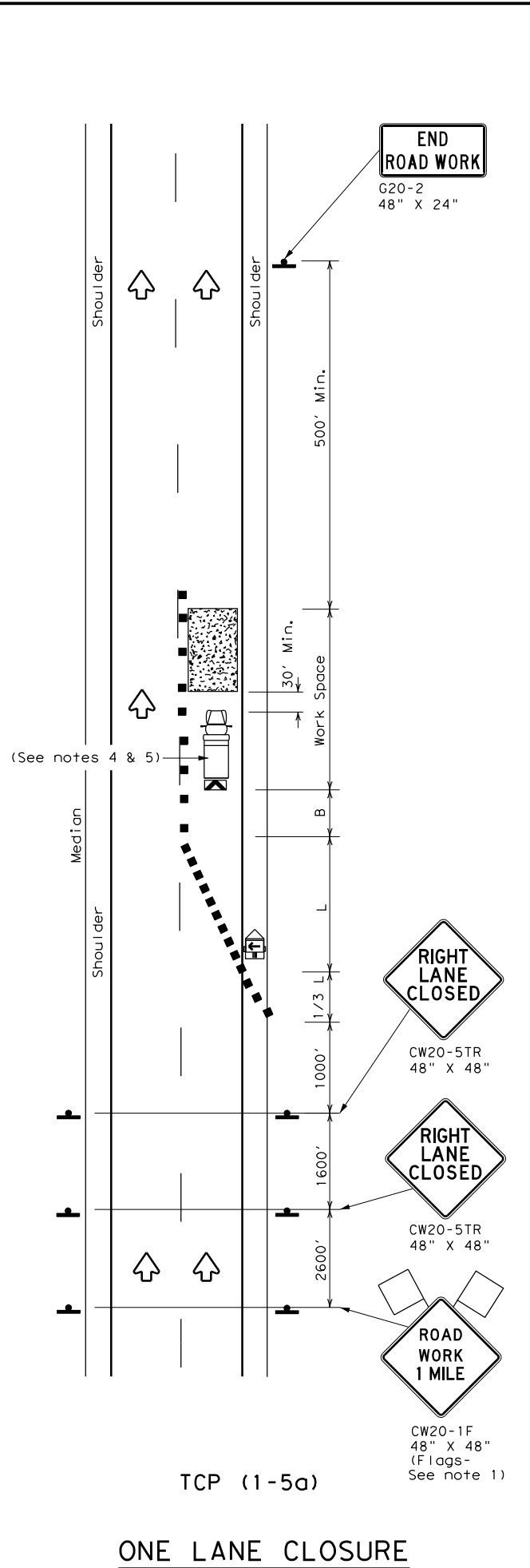
TCP (1-4) - 18

FILE:	tcp1-4-18.dgn	DN:	CK:	DW:	CK:
© TxDOT	December 1985	CONT	SECT	JOB	HIGHWAY
REVISIONS		0275	01	244	IH 40
2-94	4-98			COUNTY	SHEET NO.
8-95	2-12			POTTER	23
1-97	2-18				

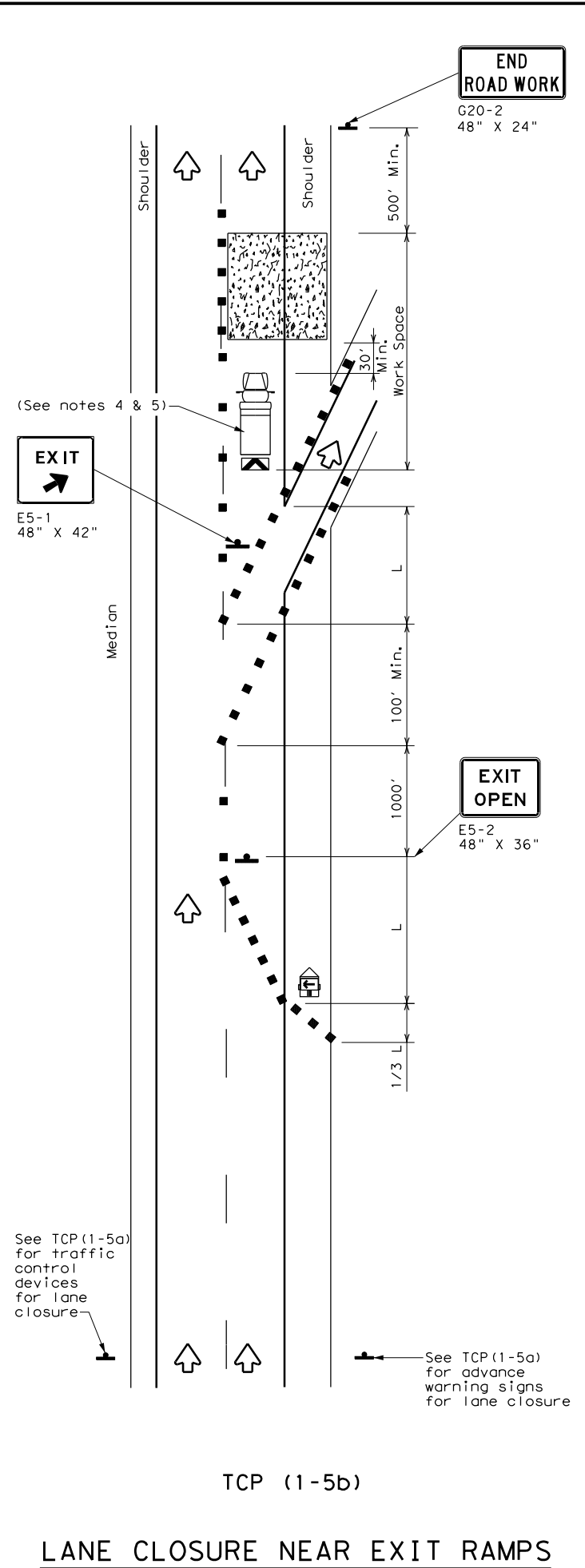
154

DISCLAIMER: The use of this standard is governed by the "Texas Engineering Practice Act". No warranty of any kind is made by TxDOT for any purpose whatsoever. TxDOT assumes no responsibility for the conversion of this standard into other formats or for incorrect results or damages resulting from its use.

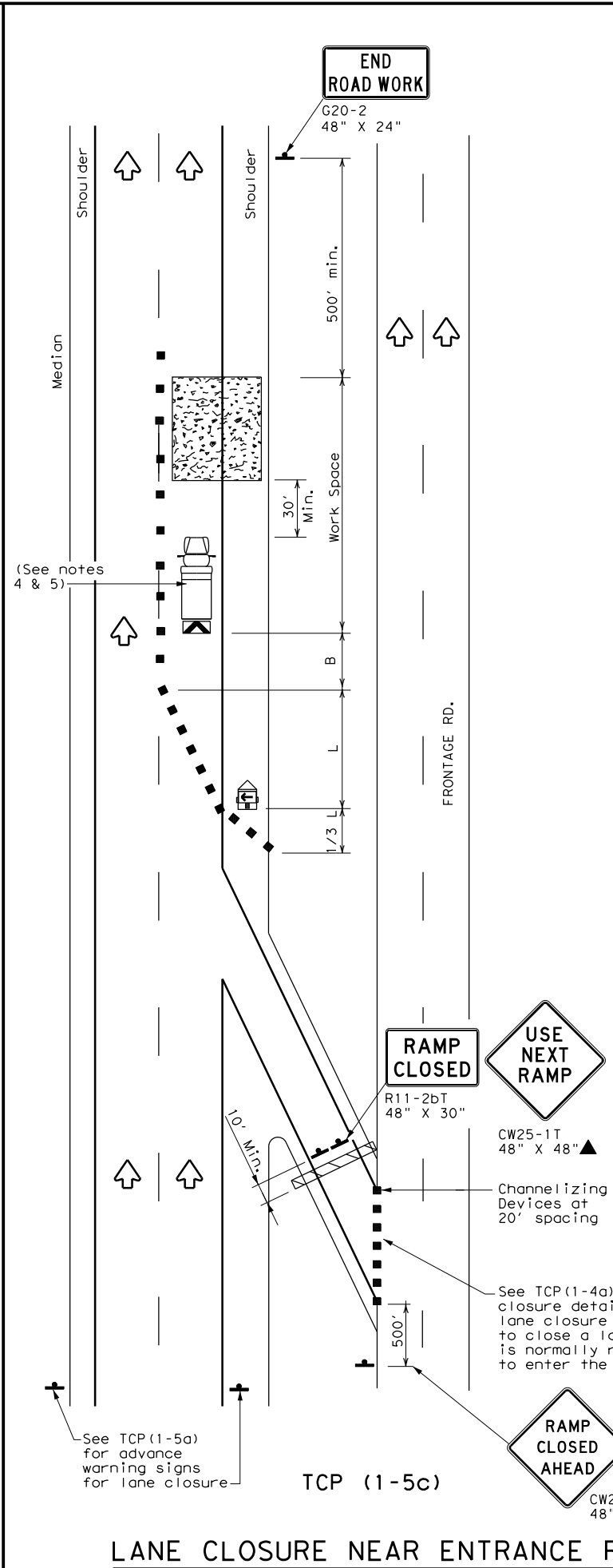
DATE: 2/7/2024 9:46:57 AM
 FILE: K:\01509\01509-0027-10 TxDOT AMA PS&E_IH_40\TRAFFIC\SWA1\Standards\TCP\1-5-18.dgn



TCP (1-5a) ONE LANE CLOSURE



TCP (1-5b) LANE CLOSURE NEAR EXIT RAMP



TCP (1-5c) LANE CLOSURE NEAR ENTRANCE RAMP

LEGEND			
	Type 3 Barricade		Channelizing Devices
	Heavy Work Vehicle		Truck Mounted Attenuator (TMA)
	Trailer Mounted Flashing Arrow Board		Portable Changeable Message Sign (PCMS)
	Sign		Traffic Flow
	Flag		Flagger

Posted Speed *	Formula	Minimum Desirable Taper Lengths **			Suggested Maximum Spacing of Channelizing Devices		Minimum Sign Spacing "x" Distance	Suggested Longitudinal Buffer Space "B"
		10' Offset	11' Offset	12' Offset	On a Taper	On a Tangent		
30	$L = \frac{WS^2}{60}$	150'	165'	180'	30'	60'	120'	90'
35		205'	225'	245'	35'	70'	160'	120'
40		265'	295'	320'	40'	80'	240'	155'
45	L = WS	450'	495'	540'	45'	90'	320'	195'
50		500'	550'	600'	50'	100'	400'	240'
55		550'	605'	660'	55'	110'	500'	295'
60		600'	660'	720'	60'	120'	600'	350'
65		650'	715'	780'	65'	130'	700'	410'
70		700'	770'	840'	70'	140'	800'	475'
75		750'	825'	900'	75'	150'	900'	540'

* Conventional Roads Only
 ** Taper lengths have been rounded off.
 L=Length of Taper (FT) W=Width of Offset (FT) S=Posted Speed (MPH)

TYPICAL USAGE				
MOBILE	SHORT DURATION	SHORT TERM STATIONARY	INTERMEDIATE TERM STATIONARY	LONG TERM STATIONARY
		✓		

- GENERAL NOTES**
- Flags attached to signs where shown, are REQUIRED.
 - All traffic control devices illustrated are REQUIRED, except those denoted with the triangle symbol may be omitted when stated elsewhere in the plans, or for routine maintenance work, when approved by the Engineer.
 - Channelizing devices used to close lanes may be supplemented with the Chevron Alignment Sign placed on every other channelizing device. Chevrons may be attached to plastic drums as per BC Standards.
 - Shadow Vehicle with TMA and high intensity rotating, flashing, oscillating or strobe lights. A Shadow Vehicle with a TMA should be used anytime it can be positioned 30 to 100 feet in advance of the area of crew exposure without adversely affecting the performance or quality of the work. If workers are no longer present but road or work conditions require the traffic control to remain in place, Type 3 Barricades or other channelizing devices may be substituted for the Shadow Vehicle and TMA.
 - Additional Shadow Vehicles with TMAs may be positioned in each closed lane, on the shoulder or off the paved surface, next to those shown in order to protect a wider work space.

Texas Department of Transportation Traffic Operations Division Standard

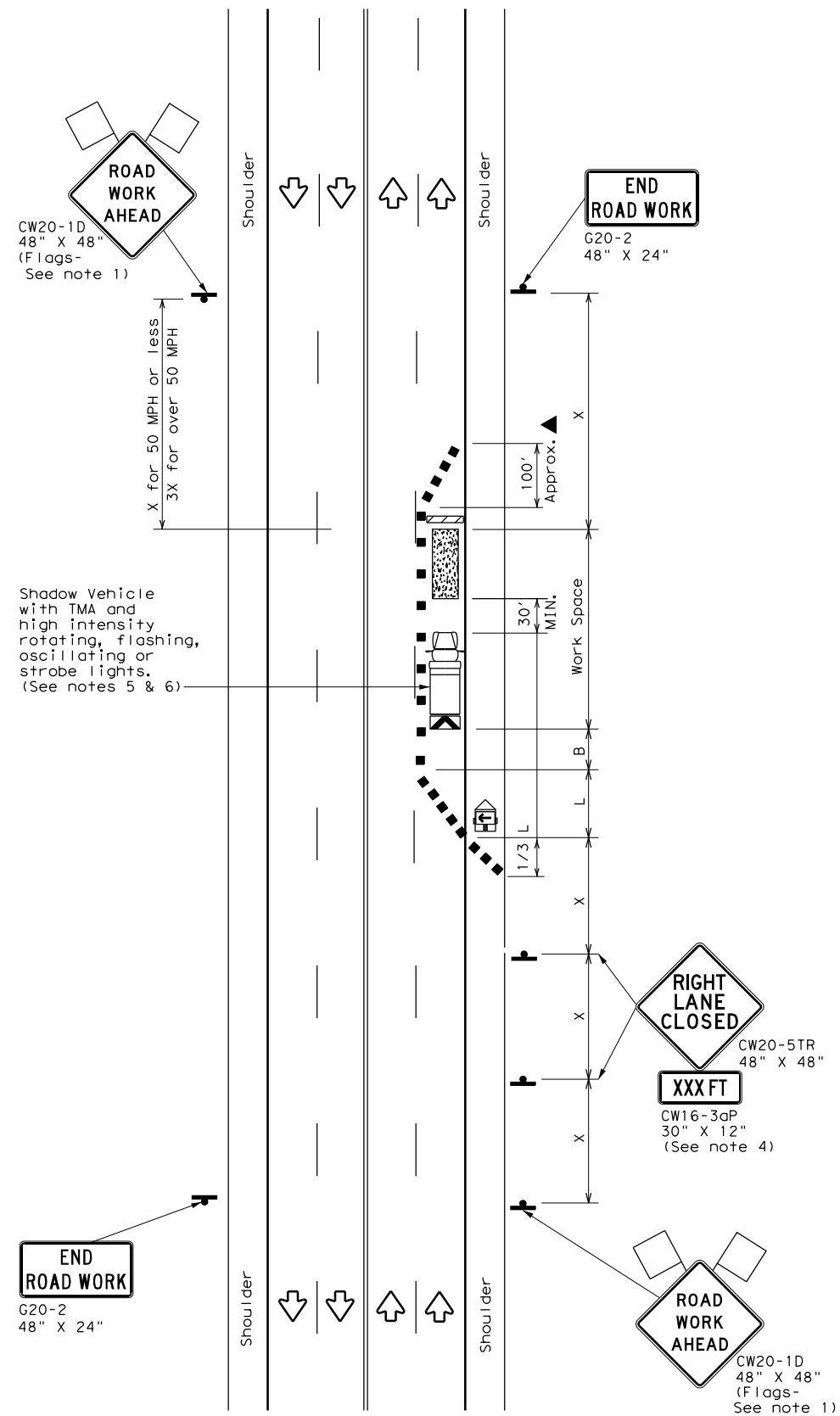
TRAFFIC CONTROL PLAN
LANE CLOSURES FOR
DIVIDED HIGHWAYS

TCP (1-5) - 18

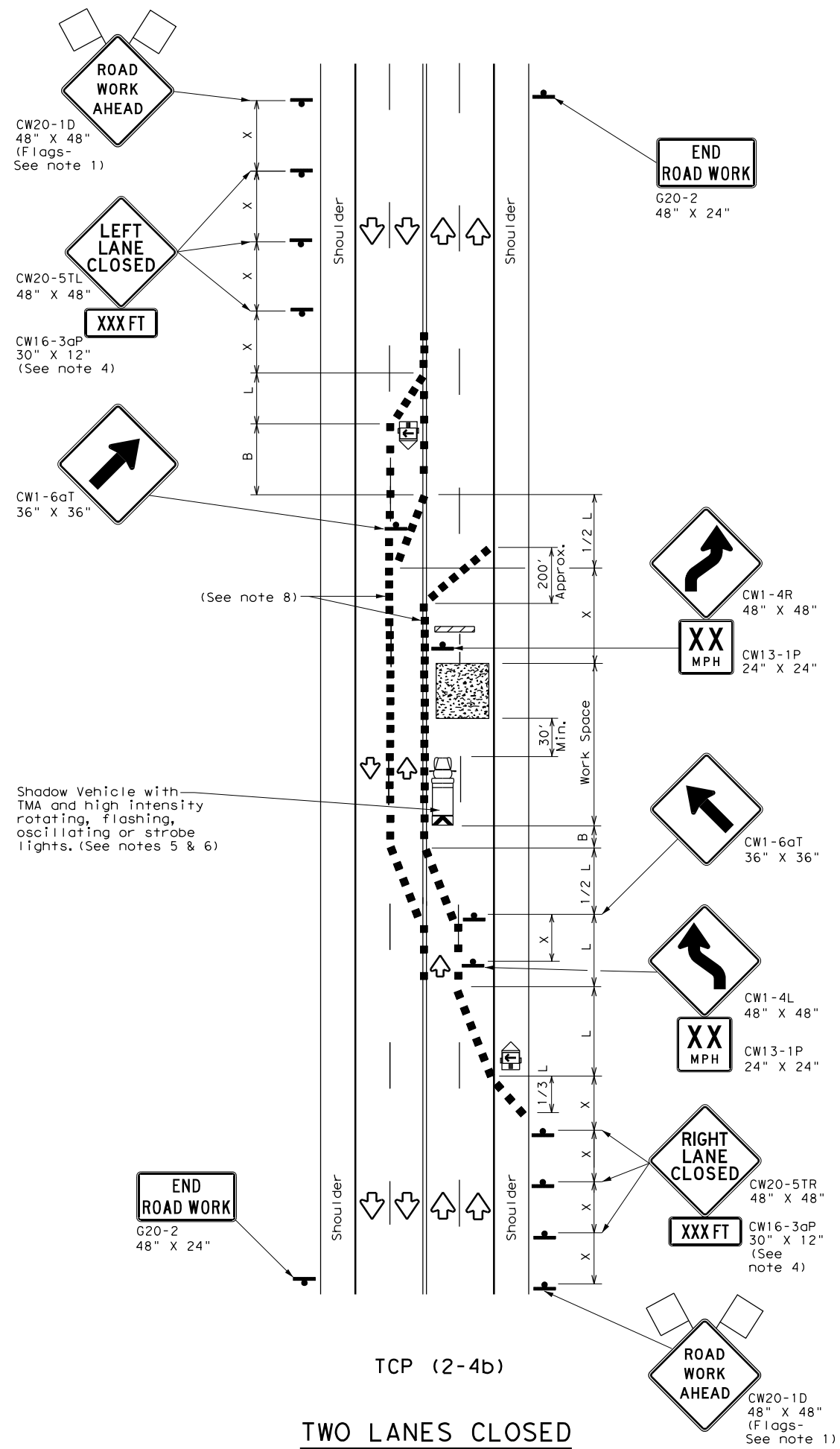
FILE: tcp1-5-18.dgn	DN:	CK:	DW:	CK:
© TxDOT February 2012	CON:	SECT:	JOB:	HIGHWAY:
2-18	REVISIONS:	0275	01	244
	DIST:	COUNTY:		SHEET NO.:
	AMA	POTTER		24

DISCLAIMER: The use of this standard is governed by the "Texas Engineering Practice Act". No warranty of any kind is made by TxDOT for any purpose whatsoever. TxDOT assumes no responsibility for the conversion of this standard into other formats or for incorrect results or damages resulting from its use.

DATE: 2/7/2024 9:46:58 AM
 FILE: K:\01509\01509-0027-10 TxDOT AMA PS&E_IH_40\TRAFFIC\SWA1\Standards\1052111988\015090027-10



TCP (2-4a)
 ONE LANE CLOSED



TCP (2-4b)
 TWO LANES CLOSED

LEGEND			
	Type 3 Barricade		Channelizing Devices
	Heavy Work Vehicle		Truck Mounted Attenuator (TMA)
	Trailer Mounted Flashing Arrow Board		Portable Changeable Message Sign (PCMS)
	Sign		Traffic Flow
	Flag		Flagger

Posted Speed *	Formula	Minimum Desirable Taper Lengths **			Suggested Maximum Spacing of Channelizing Devices		Minimum Sign Spacing "x" Distance	Suggested Longitudinal Buffer Space "B"
		10' Offset	11' Offset	12' Offset	On a Taper	On a Tangent		
30	$L = \frac{WS^2}{60}$	150'	165'	180'	30'	60'	120'	90'
35		205'	225'	245'	35'	70'	160'	120'
40		265'	295'	320'	40'	80'	240'	155'
45	L = WS	450'	495'	540'	45'	90'	320'	195'
50		500'	550'	600'	50'	100'	400'	240'
55		550'	605'	660'	55'	110'	500'	295'
60		600'	660'	720'	60'	120'	600'	350'
65		650'	715'	780'	65'	130'	700'	410'
70		700'	770'	840'	70'	140'	800'	475'
75		750'	825'	900'	75'	150'	900'	540'

* Conventional Roads Only
 ** Taper lengths have been rounded off.
 L=Length of Taper (FT) W=Width of Offset (FT) S=Posted Speed (MPH)

TYPICAL USAGE				
MOBILE	SHORT DURATION	SHORT TERM STATIONARY	INTERMEDIATE TERM STATIONARY	LONG TERM STATIONARY
		✓	✓	

GENERAL NOTES

- Flags attached to signs where shown, are REQUIRED.
- All traffic control devices illustrated are REQUIRED, except those denoted with the triangle symbol may be omitted when stated elsewhere in the plans, or for routine maintenance work, when approved by the Engineer.
- The downstream taper is optional. When used, it should be 100 feet minimum length per lane.
- For short term applications, when post mounted signs are not used, the distance legend may be shown on the sign face rather than on a CW16-3aP supplemental plaque.
- A Shadow Vehicle with a TMA should be used anytime it can be positioned 30 to 100 feet in advance of the area of crew exposure without adversely affecting the performance or quality of the work. If workers are no longer present but road or work conditions require the traffic control to remain in place, Type 3 Barricades or other channelizing devices may be substituted for the Shadow Vehicle and TMA.
- Additional Shadow Vehicles with TMAs may be positioned in each closed lane, on the shoulder or off the paved surface, next to those shown in order to protect a wider work space.

TCP (2-4a)

- If this TCP is used for a left lane closure, CW20-5TL "LEFT LANE CLOSED" signs shall be used and channelizing devices shall be placed on the centerline to protect the work space from opposing traffic with the arrow board placed in the closed lane near the end of the merging taper.

TCP (2-4b)

- For shorter durations where traffic is directed over a yellow centerline, channelizing devices which separate two-way traffic should be spaced on tapers at 20' or 15' if posted speeds are 35 mph or slower, and for tangent sections, at 1/2(S) where S is the speed in mph. This tighter devices spacing is intended for the area of conflicting markings, not the entire work zone.



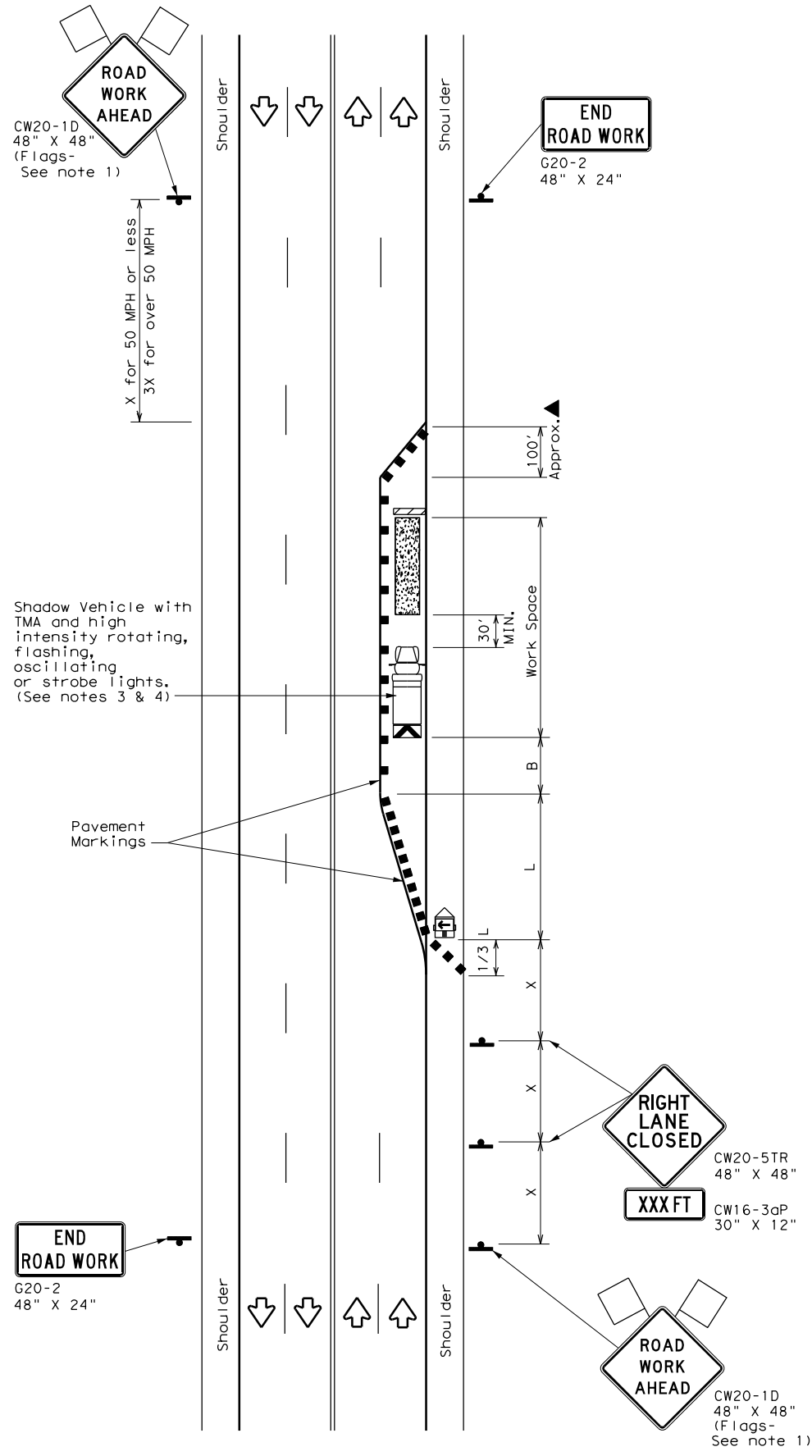
**TRAFFIC CONTROL PLAN
 LANE CLOSURES ON MULTILANE
 CONVENTIONAL ROADS**

TCP (2-4) - 18

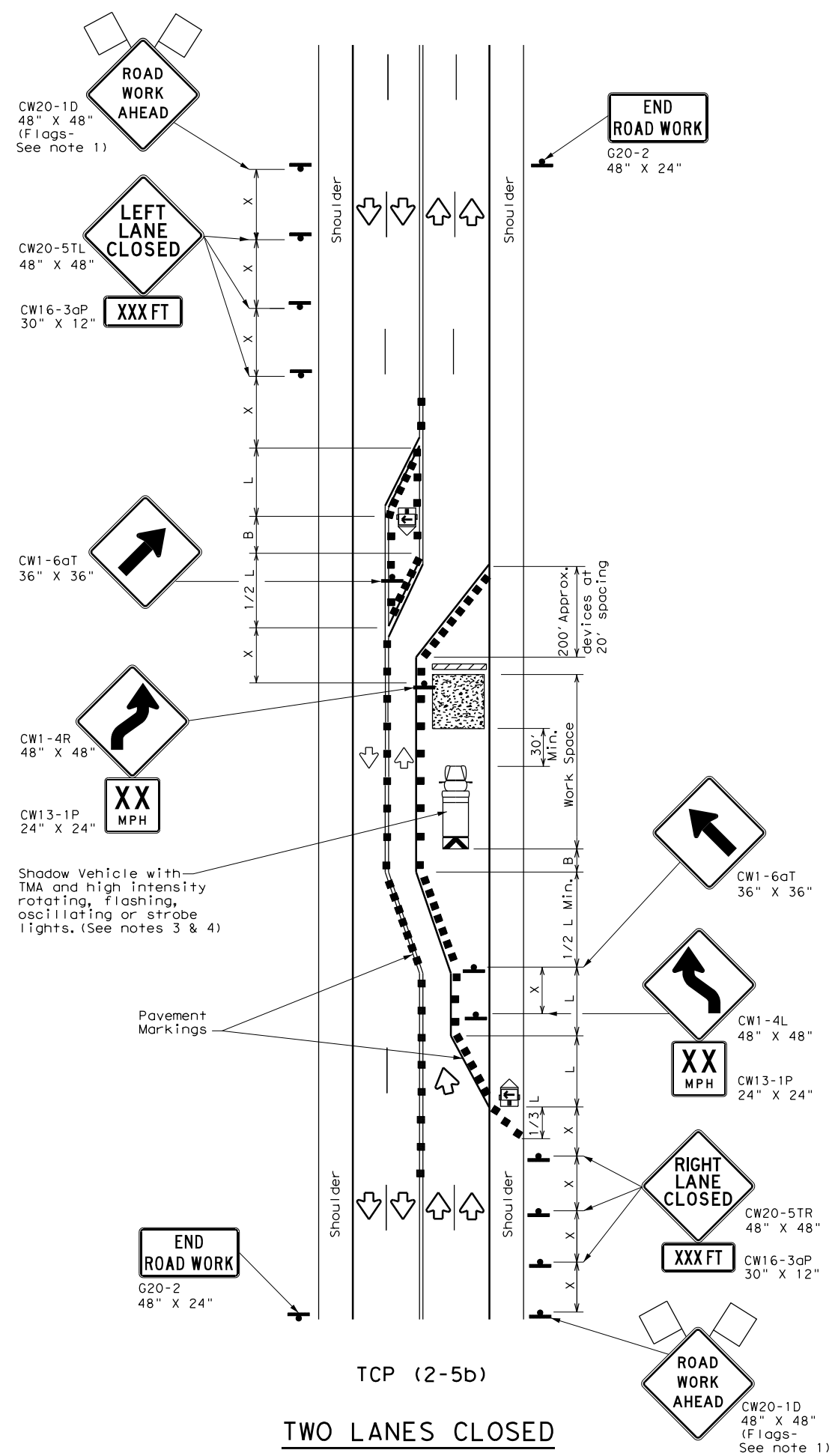
FILE: tcp2-4-18.dgn	DN:	CK:	DW:	CK:
© TxDOT December 1985	CONT	SECT	JOB	HIGHWAY
REVISIONS	0275	01	244	IH 40
8-95 3-03	DIST	COUNTY	SHEET NO.	
1-97 2-12	AMA	POTTER	25	
4-98 2-18				

DISCLAIMER: The use of this standard is governed by the "Texas Engineering Practice Act". No warranty of any kind is made by TxDOT for any purpose whatsoever. TxDOT assumes no responsibility for the conversion of this standard to other formats or for incorrect results or damages resulting from its use.

DATE: 2/7/2024 9:46:58 AM
 FILE: K:\01509\01509-0027-10 TxDOT AMA PS&E_IH_40\TRAFFIC\SWA1\Standards\1-25-18\01509-0027-10



TCP (2-5a)
 ONE LANE CLOSED



TCP (2-5b)
 TWO LANES CLOSED

LEGEND			
	Type 3 Barricade		Channelizing Devices
	Heavy Work Vehicle		Truck Mounted Attenuator (TMA)
	Trailer Mounted Flashing Arrow Board		Portable Changeable Message Sign (PCMS)
	Sign		Traffic Flow
	Flag		Flagger

Posted Speed * X	Formula	Minimum Desirable Taper Lengths X X			Suggested Maximum Spacing of Channelizing Devices		Minimum Sign Spacing "X" Distance	Suggested Longitudinal Buffer Space "B"
		10' Offset	11' Offset	12' Offset	On a Taper	On a Tangent		
30	$L = \frac{WS^2}{60}$	150'	165'	180'	30'	60'	120'	90'
35		205'	225'	245'	35'	70'	160'	120'
40		265'	295'	320'	40'	80'	240'	155'
45	L = WS	450'	495'	540'	45'	90'	320'	195'
50		500'	550'	600'	50'	100'	400'	240'
55		550'	605'	660'	55'	110'	500'	295'
60		600'	660'	720'	60'	120'	600'	350'
65		650'	715'	780'	65'	130'	700'	410'
70		700'	770'	840'	70'	140'	800'	475'
75		750'	825'	900'	75'	150'	900'	540'

* Conventional Roads Only
 ** Taper lengths have been rounded off.
 L=Length of Taper (FT) W=Width of Offset (FT) S=Posted Speed (MPH)

TYPICAL USAGE				
MOBILE	SHORT DURATION	SHORT TERM STATIONARY	INTERMEDIATE TERM STATIONARY	LONG TERM STATIONARY
			✓	✓

- GENERAL NOTES**
- Flags attached to signs where shown, are REQUIRED.
 - All traffic control devices illustrated are REQUIRED, except those denoted with the triangle symbol may be omitted when stated elsewhere in the plans, or for routine maintenance work, when approved by the Engineer.
 - A Shadow Vehicle with a TMA should be used anytime it can be positioned 30 to 100 feet in advance of the area of crew exposure without adversely affecting the performance or quality of the work. If workers are no longer present but road or work conditions require the traffic control to remain in place, Type 3 Barricades or other channelizing devices may be substituted for the Shadow Vehicle and TMA.
 - Additional Shadow Vehicles with TMAs may be positioned in each closed lane, on the shoulder or off the paved surface, next to those shown in order to protect a wider work space.
 - The downstream taper is optional. When used, it should be 100 feet approximately per lane, with channelizing devices spaced at 20 feet.

TCP (2-5a)

- If this TCP is used for a left lane closure, CW20-5TL "LEFT LANE CLOSED" signs shall be used and channelizing devices shall be placed on the centerline to protect the work space from opposing traffic, with the arrow board placed in the closed lane near the end of the merging taper.

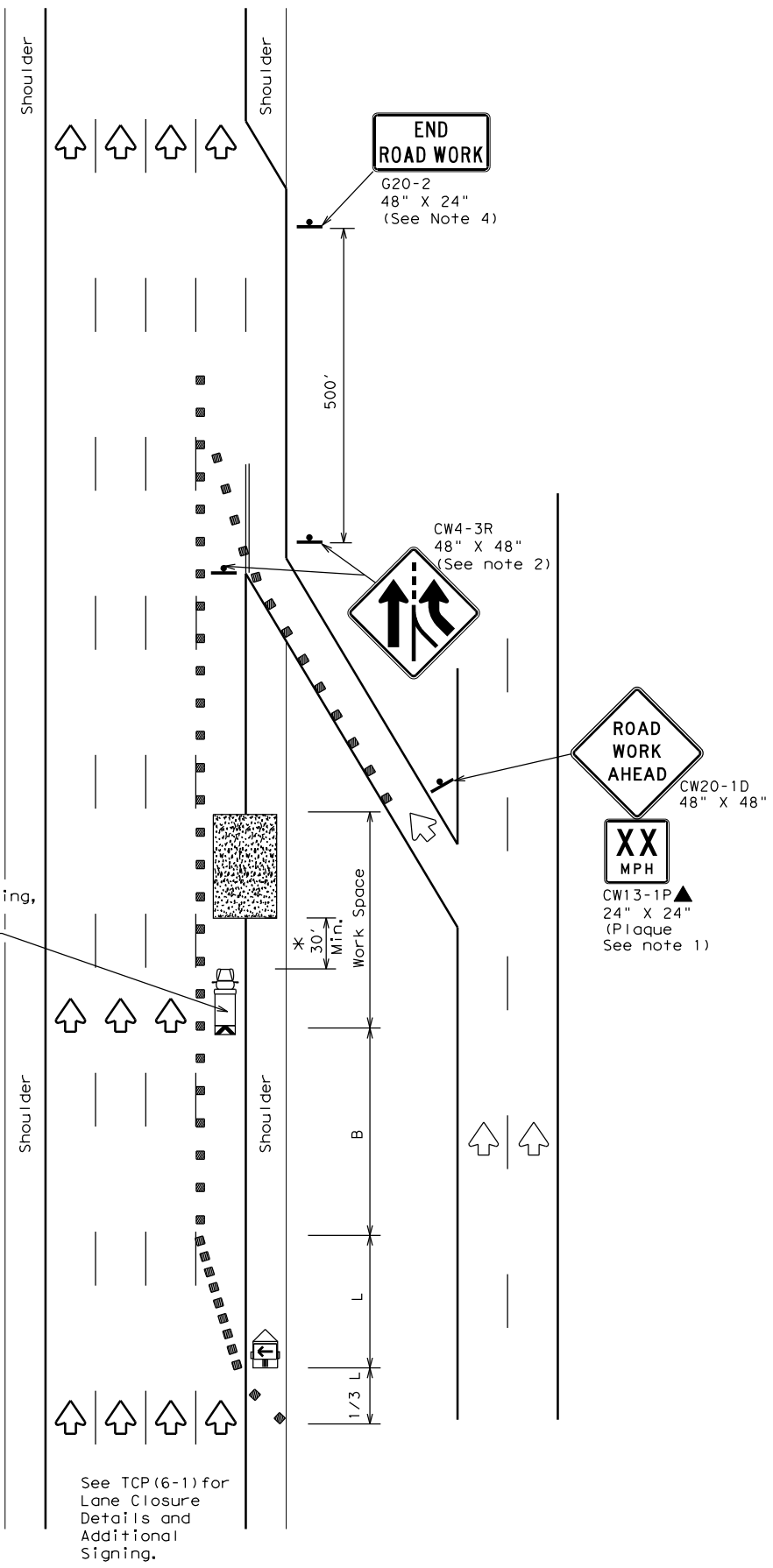
TCP (2-5b)

- Conflicting pavement markings shall be removed for long-term projects.

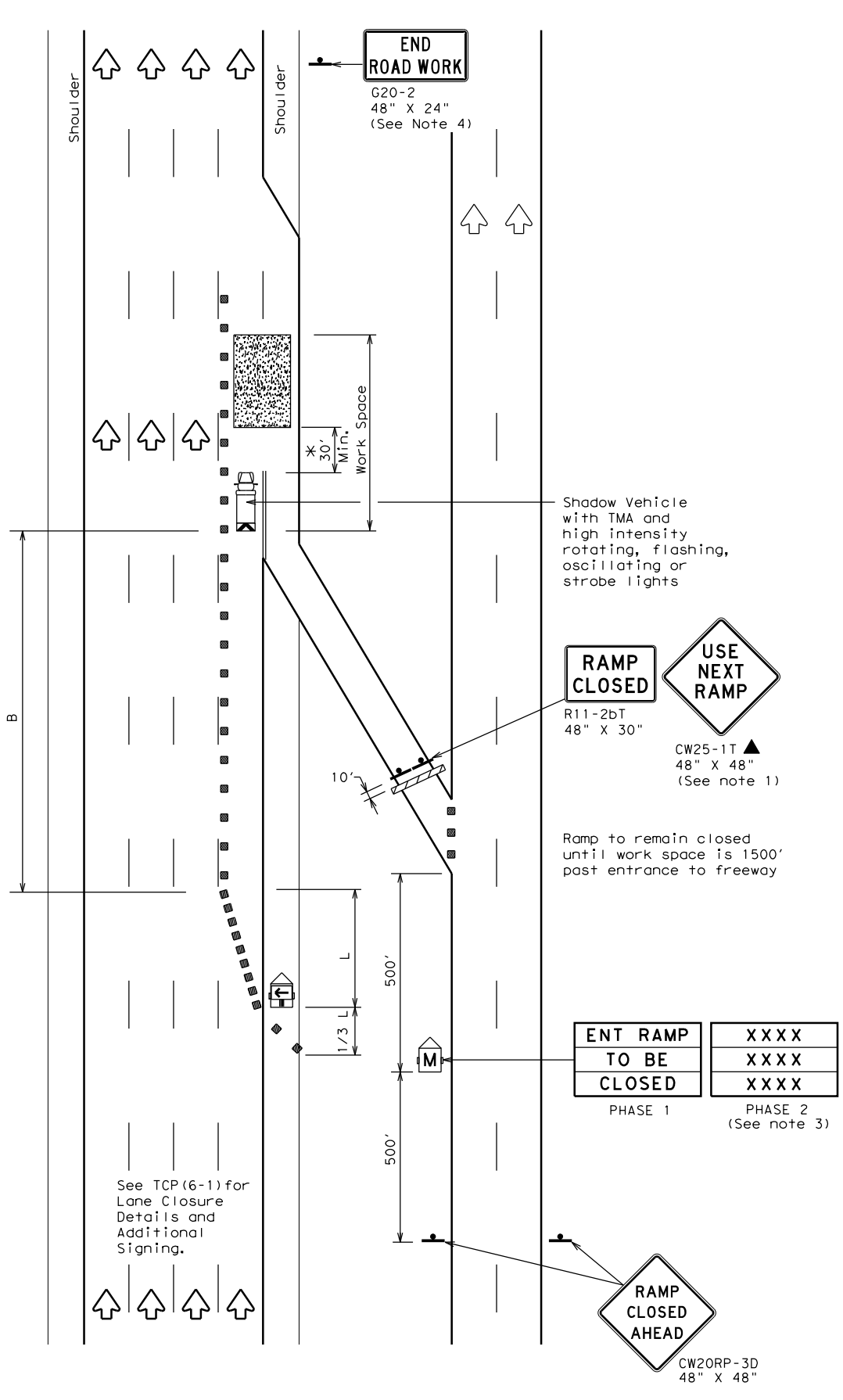
		Traffic Operations Division Standard	
TRAFFIC CONTROL PLAN			
LONG TERM LANE CLOSURES			
MULTILANE CONVENTIONAL RDS.			
TCP (2-5) - 18			
FILE: tcp2-5-18.dgn	DN:	CK:	DW:
© TxDOT December 1985	CON:	SECT:	JOB:
REVISIONS	0275	01	244
8-95 2-12	DIST:	COUNTY:	SHEET NO.
1-97 3-03	AMA	POTTER	26
4-98 2-18			

DISCLAIMER: The use of this standard is governed by the "Texas Engineering Practice Act". No warranty of any kind is made by TxDOT for any purpose whatsoever. TxDOT assumes no responsibility for the conversion of this standard to other formats or for incorrect results or damages resulting from its use.

DATE: 2/7/2024 9:46:59 AM
 FILE: K:\01509\01509-0027-10 TxDOT AMA PS&E IH 40\TRAFFIC\SWA1\Standards\T&E\CP\CP6-2.dgn



TCP (6-2a)
 ENTRANCE RAMP OPEN
 WORK WITHIN 500' OF RAMP



TCP (6-2b)
 ENTRANCE RAMP CLOSED

LEGEND			
	Type 3 Barricade		Channelizing Devices
	Heavy Work Vehicle		Truck Mounted Attenuator (TMA)
	Trailer Mounted Flashing Arrow Board		Portable Changeable Message Sign (PCMS)
	Sign		Traffic Flow
	Flag		Flagger

Posted Speed	Formula	Minimum Desirable Taper Lengths "L"			Suggested Maximum Spacing of Channelizing Devices		Suggested Longitudinal Buffer Space "B"
		10' Offset	11' Offset	12' Offset	On a Taper	On a Tangent	
45	L = WS	450'	495'	540'	45'	90'	195'
50		500'	550'	600'	50'	100'	240'
55		550'	605'	660'	55'	110'	295'
60		600'	660'	720'	60'	120'	350'
65		650'	715'	780'	65'	130'	410'
70		700'	770'	840'	70'	140'	475'
75		750'	825'	900'	75'	150'	540'
80		800'	880'	960'	80'	160'	615'

** Taper lengths have been rounded off.
 L=Length of Taper (FT) W=Width of Offset (FT) S=Posted Speed (MPH)

TYPICAL USAGE				
MOBILE	SHORT DURATION	SHORT TERM STATIONARY	INTERMEDIATE TERM STATIONARY	LONG TERM STATIONARY
	✓	✓	✓	

GENERAL NOTES

- All traffic control devices illustrated are REQUIRED. Devices denoted with the triangle symbol may be omitted when stated elsewhere in the plans.
- ADDED LANE Symbol (CW4-3) sign may be omitted when sign between ramp and mainline can be seen from both roadways.
- See "Advance Notice List" on BC(6) for recommended date and time formatting options for PCMS Phase 2 message.
- The END ROAD WORK (G20-2) sign may be omitted when it conflicts with G20-2 signs already in place on the project.

*A shadow vehicle equipped with a Truck Mounted Attenuator is typically required. A shadow vehicle equipped with a TMA shall be used if it can be positioned 30' to 100' in advance of the area of crew exposure without adversely affecting the work performance.

Additional requirements for lane closures and advance signing shall be as shown on TCP (6-1) or as directed by the Engineer.

Texas Department of Transportation
 Traffic Operations Division Standard

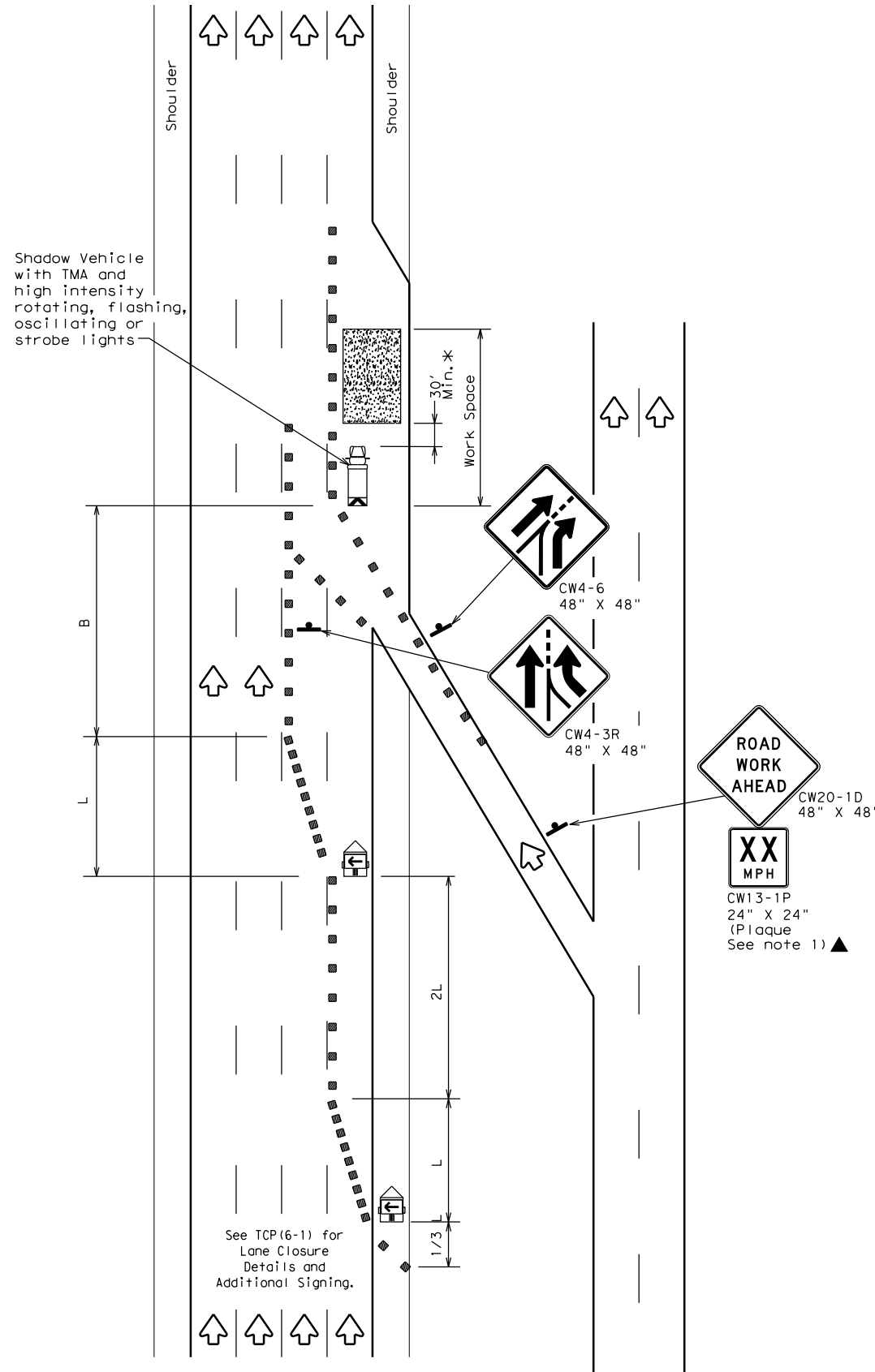
TRAFFIC CONTROL PLAN
WORK AREA NEAR RAMP

TCP (6-2) - 12

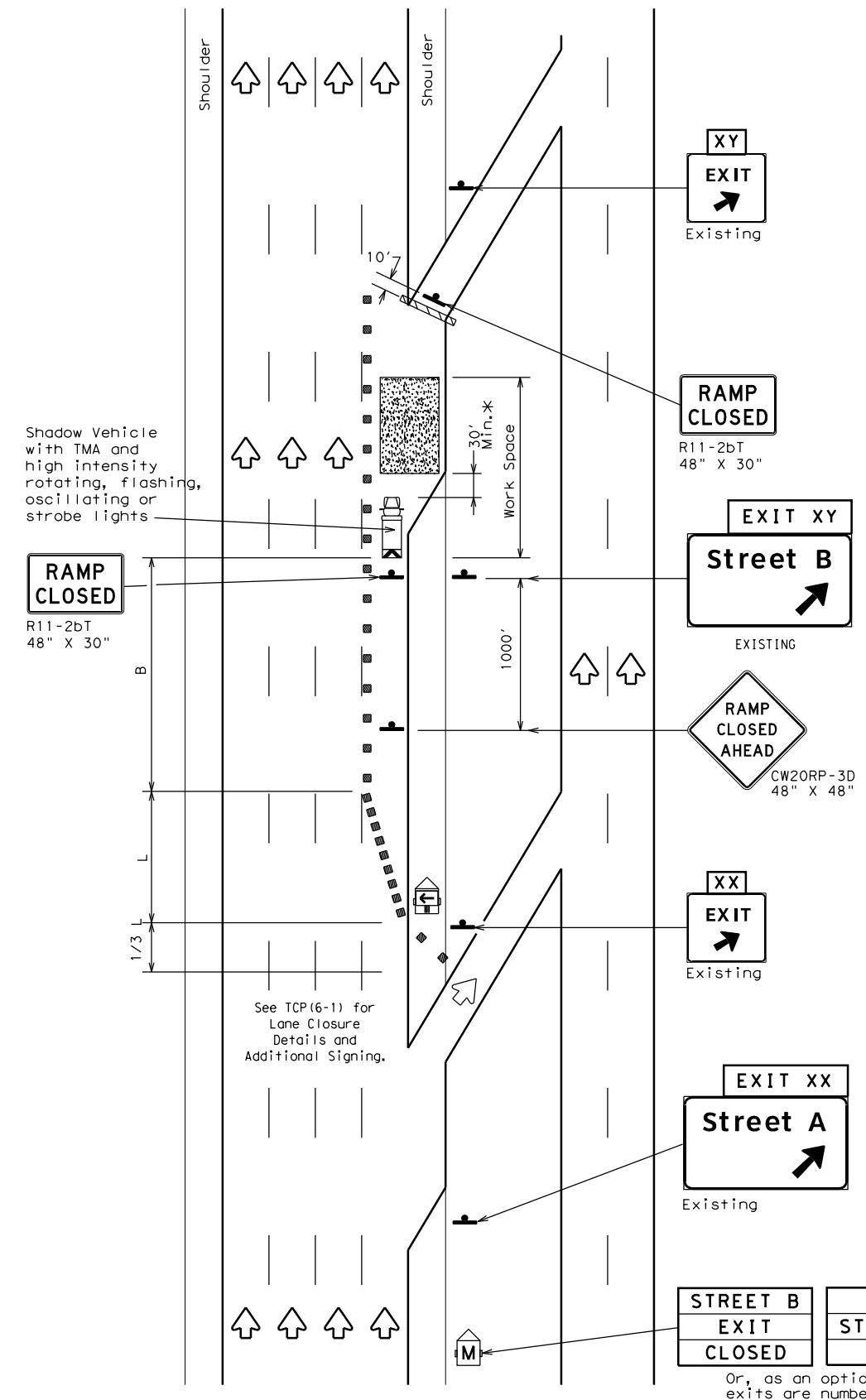
FILE: tcp6-2.dgn	DN: TxDOT	CK: TxDOT	DW: TxDOT	CK: TxDOT
©TxDOT February 1994	CONT	SECT	JOB	HIGHWAY
REVISIONS	0275	01	244	IH 40
1-97 8-98	DIST	COUNTY	SHEET NO.	
4-98 8-12	AMA	POTTER	28	

DISCLAIMER: The use of this standard is governed by the "Texas Engineering Practice Act". No warranty of any kind is made by TxDOT for any purpose whatsoever. TxDOT assumes no responsibility for the conversion of this standard to other formats or for incorrect results or damages resulting from its use.

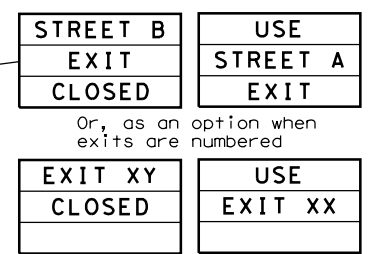
DATE: 2/7/2024 9:46:59 AM
 FILE: K:\01509\01509-0027-10 TxDOT AMA PS&E IH 40\TRAFFIC\SWA1\Standards\1056-15\1056-15.dgn



TCP (6-3a)
 ENTRANCE RAMP OPEN



TCP (6-3b)
 EXIT RAMP CLOSED
 TRAFFIC EXITS PRIOR TO CLOSED RAMP



Place 1 mile (approx.) in advance of Street A exit.

LEGEND			
	Type 3 Barricade		Channelizing Devices
	Heavy Work Vehicle		Truck Mounted Attenuator (TMA)
	Trailer Mounted Flashing Arrow Board		Portable Changeable Message Sign (PCMS)
	Sign		Traffic Flow
	Flag		Flagger

Posted Speed	Formula	Minimum Desirable Taper Lengths "L" **			Suggested Maximum Spacing of Channelizing Devices		Suggested Longitudinal Buffer Space "B"
		10' Offset	11' Offset	12' Offset	On a Taper	On a Tangent	
45	L = WS	450'	495'	540'	45'	90'	195'
50		500'	550'	600'	50'	100'	240'
55		550'	605'	660'	55'	110'	295'
60		600'	660'	720'	60'	120'	350'
65		650'	715'	780'	65'	130'	410'
70		700'	770'	840'	70'	140'	475'
75		750'	825'	900'	75'	150'	540'
80		800'	880'	960'	80'	160'	615'

** Taper lengths have been rounded off.
 L=Length of Taper (FT) W=Width of Offset (FT) S=Posted Speed (MPH)

TYPICAL USAGE				
MOBILE	SHORT DURATION	SHORT TERM STATIONARY	INTERMEDIATE TERM STATIONARY	LONG TERM STATIONARY
	✓	✓	✓	

GENERAL NOTES:

- All traffic control devices illustrated are REQUIRED. Devices denoted with the triangle symbol may be omitted when stated elsewhere in the plans.

*A shadow vehicle equipped with a Truck Mounted Attenuator is typically required. A shadow vehicle equipped with a TMA shall be used if it can be positioned 30' to 100' in advance of the area of crew exposure without adversely affecting the work performance.

Additional requirements for lane closures and advance signing shall be as shown on TCP (6-1) or as directed by the Engineer.



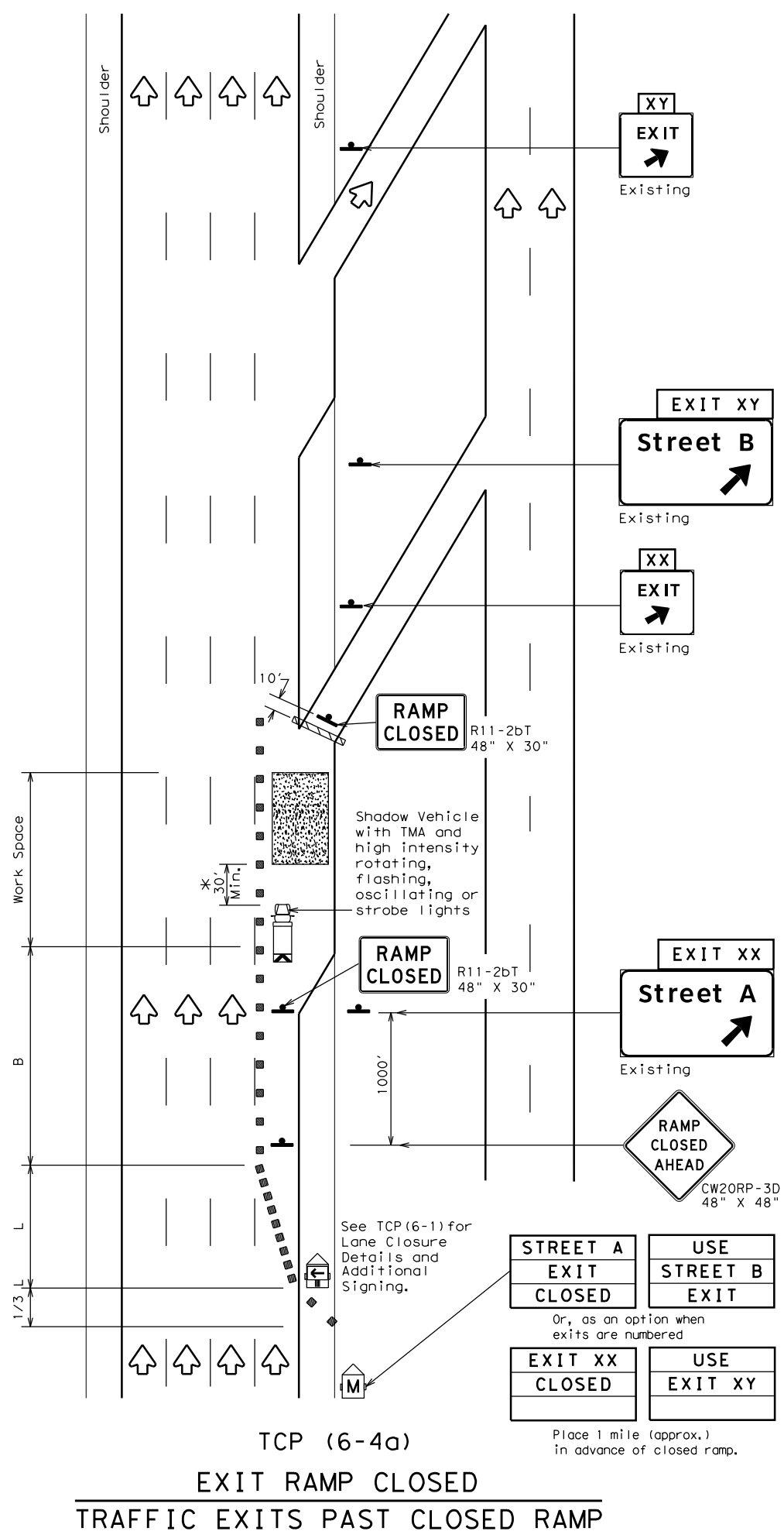
TRAFFIC CONTROL PLAN
 WORK AREA BEYOND RAMP

TCP (6-3) - 12

FILE: tcp6-3.dgn	DN: TxDOT	CK: TxDOT	DW: TxDOT	CK: TxDOT
©TxDOT February 1994	CONT	SECT	JOB	HIGHWAY
REVISIONS	0275	01	244	IH 40
1-97 8-98	DIST	COUNTY	SHEET NO.	
4-98 8-12	AMA	POTTER	29	

DISCLAIMER: The use of this standard is governed by the "Texas Engineering Practice Act". No warranty of any kind is made by TxDOT for any purpose whatsoever. TxDOT assumes no responsibility for the conversion of this standard to other formats or for incorrect results or damages resulting from its use.

DATE: 2/7/2024 9:47:00 AM
 FILE: K:\01509\01509-0027-10 TxDOT AMA PS&E IH 40\TRAFFIC\SWA1\Standards\TCP6-4a.dgn

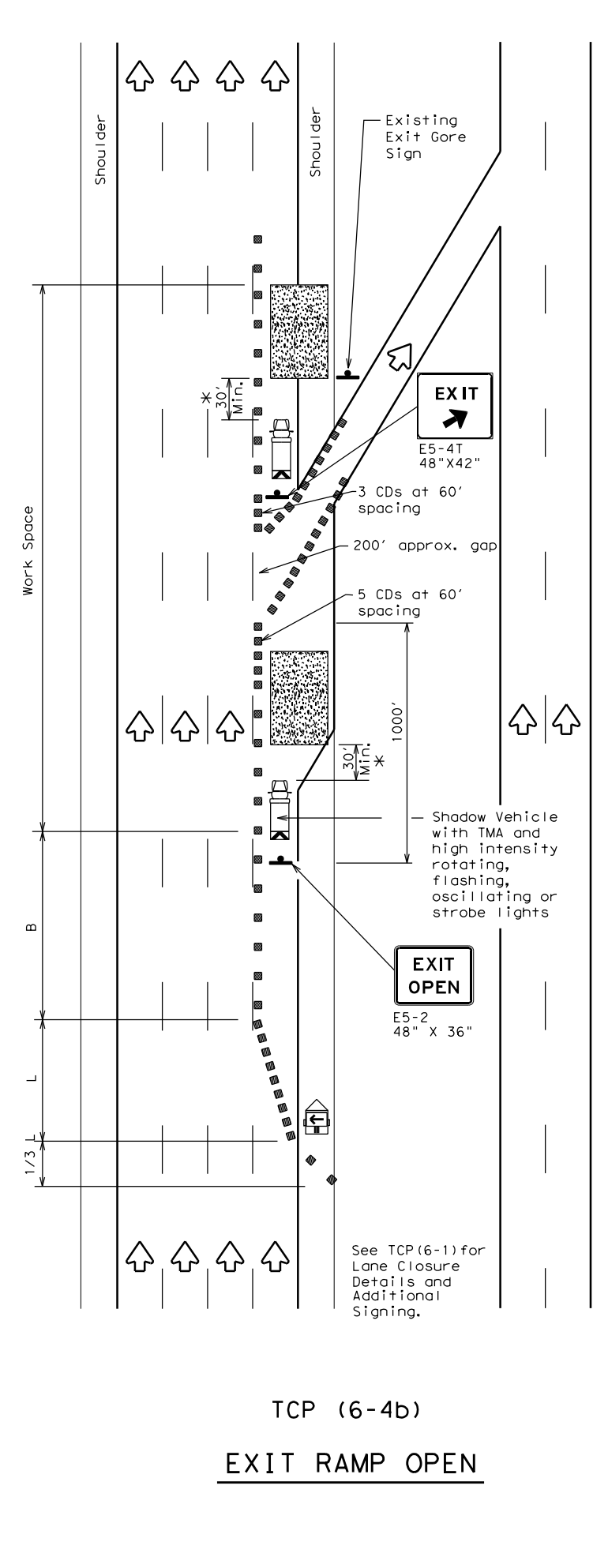


TCP (6-4a)
EXIT RAMP CLOSED
TRAFFIC EXITS PAST CLOSED RAMP

STREET A EXIT CLOSED	USE STREET B EXIT
EXIT XX CLOSED	USE EXIT XY

Or, as an option when exits are numbered

Place 1 mile (approx.) in advance of closed ramp.



TCP (6-4b)
EXIT RAMP OPEN

LEGEND			
	Type 3 Barricade		Channelizing Devices (CDs)
	Heavy Work Vehicle		Truck Mounted Attenuator (TMA)
	Trailer Mounted Flashing Arrow Board		Portable Changeable Message Sign (PCMS)
	Sign		Traffic Flow
	Flag		Flagger

Posted Speed	Formula	Minimum Desirable Taper Lengths "L"			Suggested Maximum Spacing of Channelizing Devices		Suggested Longitudinal Buffer Space "B"
		10' Offset	11' Offset	12' Offset	On a Taper	On a Tangent	
45	L = WS	450'	495'	540'	45'	90'	195'
50		500'	550'	600'	50'	100'	240'
55		550'	605'	660'	55'	110'	295'
60		600'	660'	720'	60'	120'	350'
65		650'	715'	780'	65'	130'	410'
70		700'	770'	840'	70'	140'	475'
75		750'	825'	900'	75'	150'	540'
80		800'	880'	960'	80'	160'	615'

** Taper lengths have been rounded off.
 L=Length of Taper (FT) W=Width of Offset (FT) S=Posted Speed (MPH)

TYPICAL USAGE				
MOBILE	SHORT DURATION	SHORT TERM STATIONARY	INTERMEDIATE TERM STATIONARY	LONG TERM STATIONARY
	✓	✓	✓	

- GENERAL NOTES**
- All traffic control devices illustrated are REQUIRED. Devices denoted with the triangle symbol may be omitted when stated elsewhere in the plans.
 - See BC Standards for sign details.

*A shadow vehicle equipped with a Truck Mounted Attenuator is typically required. A shadow vehicle equipped with a TMA shall be used if it can be positioned 30' to 100' in advance of the area of crew exposure without adversely affecting the work performance.

Additional requirements for lane closures and advance signing shall be as shown on TCP (6-1) or as directed by the Engineer.



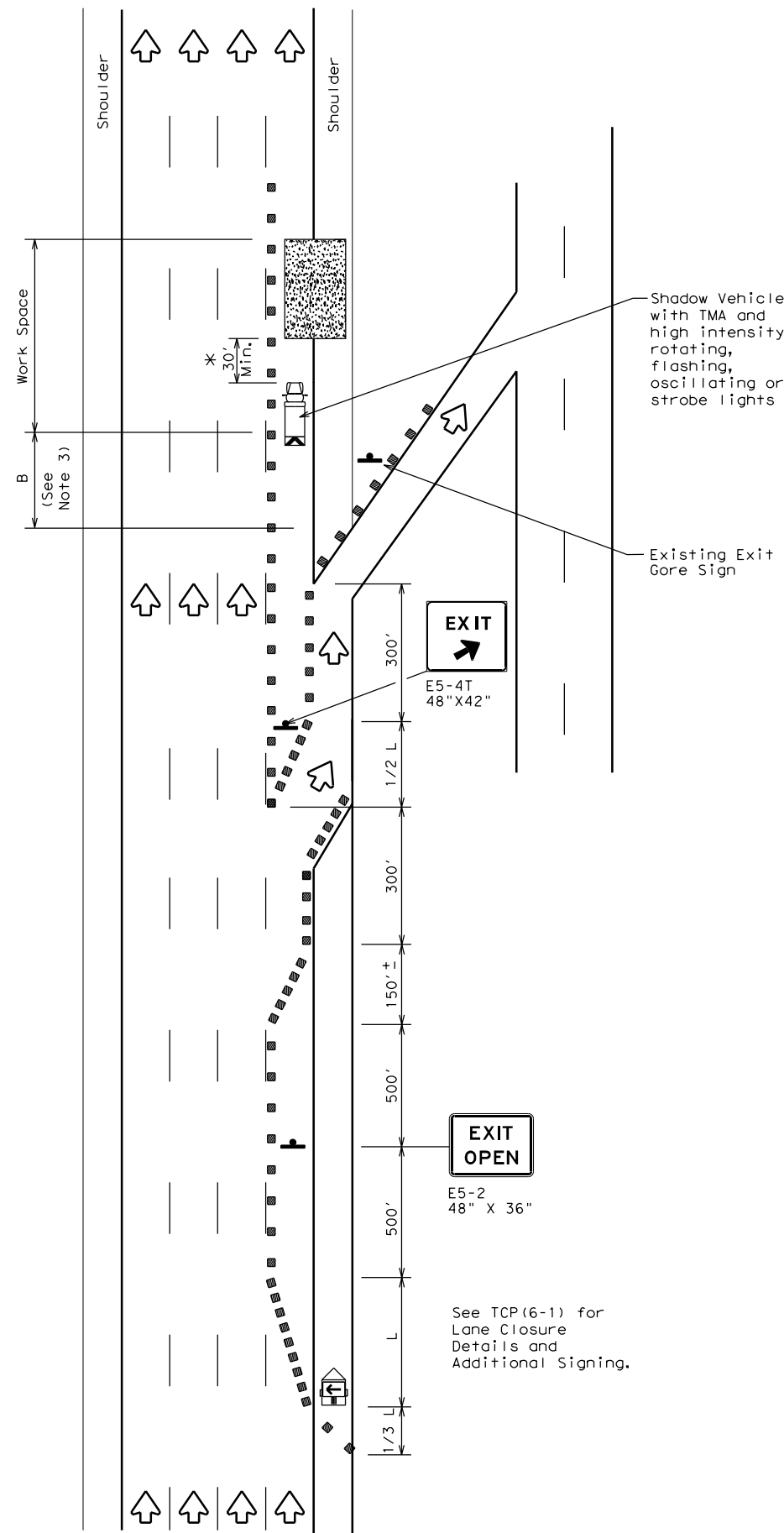
TRAFFIC CONTROL PLAN
WORK AREA AT EXIT RAMP

TCP (6-4) - 12

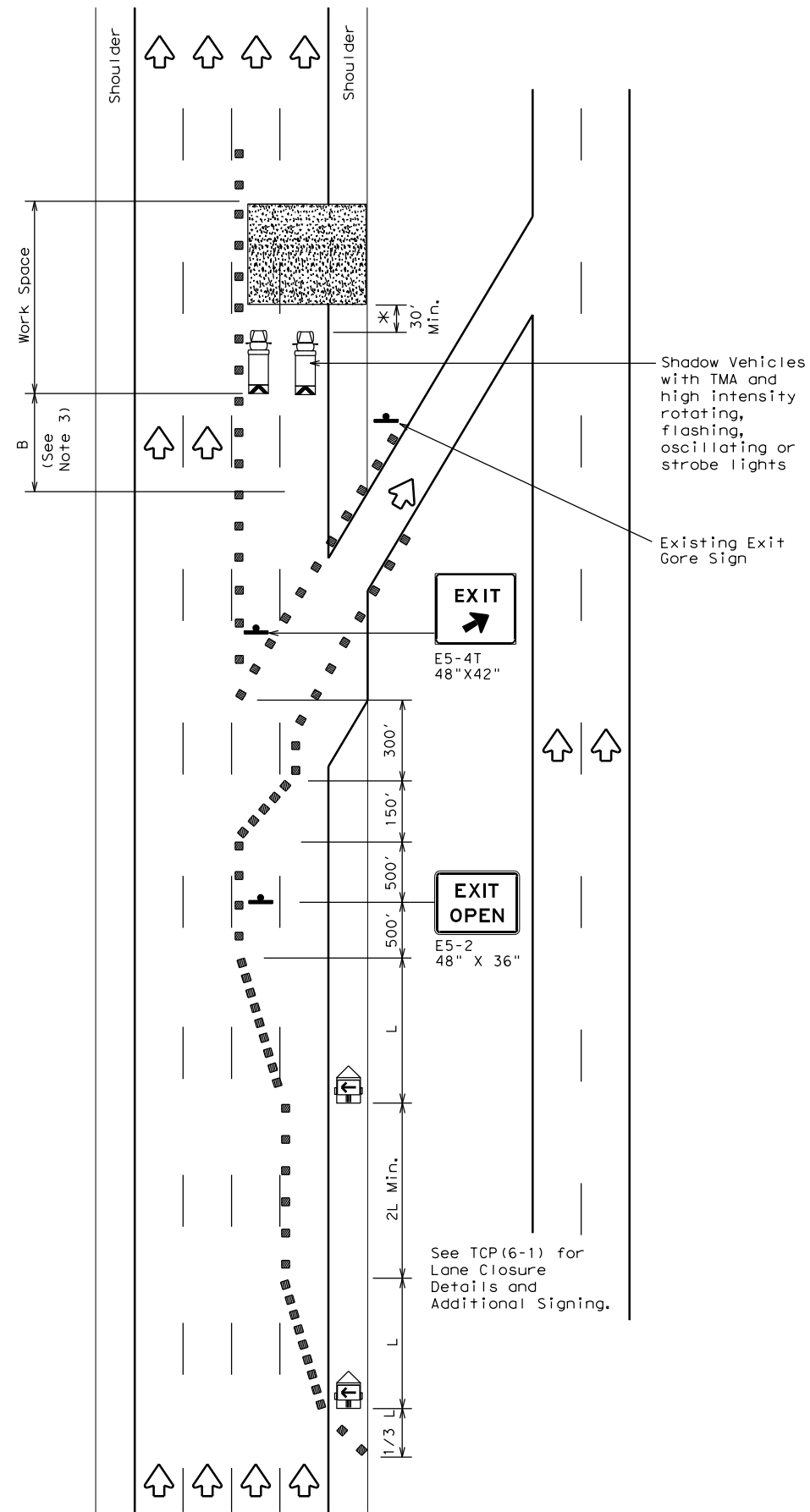
FILE: tcp6-4.dgn	DN: TxDOT	CK: TxDOT	DW: TxDOT	CK: TxDOT
© TxDOT February 1994	CONT	SECT	JOB	HIGHWAY
REVISIONS	0275	01	244	IH 40
1-97 8-98	DIST	COUNTY	SHEET NO.	
4-98 8-12	AMA	POTTER	30	

DISCLAIMER: The use of this standard is governed by the "Texas Engineering Practice Act". No warranty of any kind is made by TxDOT for any purpose whatsoever. TxDOT assumes no responsibility for the conversion of this standard to other formats or for incorrect results or damages resulting from its use.

DATE: 2/7/2024 9:47:00 AM
 FILE: K:\01509\01509-0027-10 TxDOT AMA PS&E_IH_40\TRAFFIC\SWA1\Standards\Traffic\CP\CP6-5.dgn



TCP (6-5a)
 EXIT RAMP OPEN



TCP (6-5b)
 EXIT RAMP OPEN
 TWO LANE CLOSURE WITHIN
 1500' PAST EXIT RAMP

LEGEND			
	Type 3 Barricade		Channelizing Devices
	Heavy Work Vehicle		Truck Mounted Attenuator (TMA)
	Trailer Mounted Flashing Arrow Board		Portable Changeable Message Sign (PCMS)
	Sign		Traffic Flow
	Flag		Flagger

Posted Speed	Formula	Minimum Desirable Taper Lengths "L"			Suggested Maximum Spacing of Channelizing Devices		Suggested Longitudinal Buffer Space "B"
		10' Offset	11' Offset	12' Offset	On a Taper	On a Tangent	
45	L = WS	450'	495'	540'	45'	90'	195'
50		500'	550'	600'	50'	100'	240'
55		550'	605'	660'	55'	110'	295'
60		600'	660'	720'	60'	120'	350'
65		650'	715'	780'	65'	130'	410'
70		700'	770'	840'	70'	140'	475'
75		750'	825'	900'	75'	150'	540'
80		800'	880'	960'	80'	160'	615'

** Taper lengths have been rounded off.
 L=Length of Taper (FT) W=Width of Offset (FT) S=Posted Speed (MPH)

TYPICAL USAGE				
MOBILE	SHORT DURATION	SHORT TERM STATIONARY	INTERMEDIATE TERM STATIONARY	LONG TERM STATIONARY
	✓	✓	✓	

GENERAL NOTES

- All traffic control devices illustrated are REQUIRED. Devices denoted with the triangle symbol may be omitted when stated elsewhere in the plans.
- See BC standards for sign details.
- If adequate longitudinal buffer length "B" does not exist between the work space and the exit ramp, consideration should be given to closing the ramp.

*A shadow vehicle equipped with a Truck Mounted Attenuator is typically required. A shadow vehicle equipped with a TMA shall be used if it can be positioned 30' to 100' in advance of the area of crew exposure without adversely affecting the work performance.

Additional requirements for lane closures and advance signing shall be as shown on TCP (6-1) or as directed by the Engineer.



TRAFFIC CONTROL PLAN
 WORK AREA BEYOND EXIT RAMP

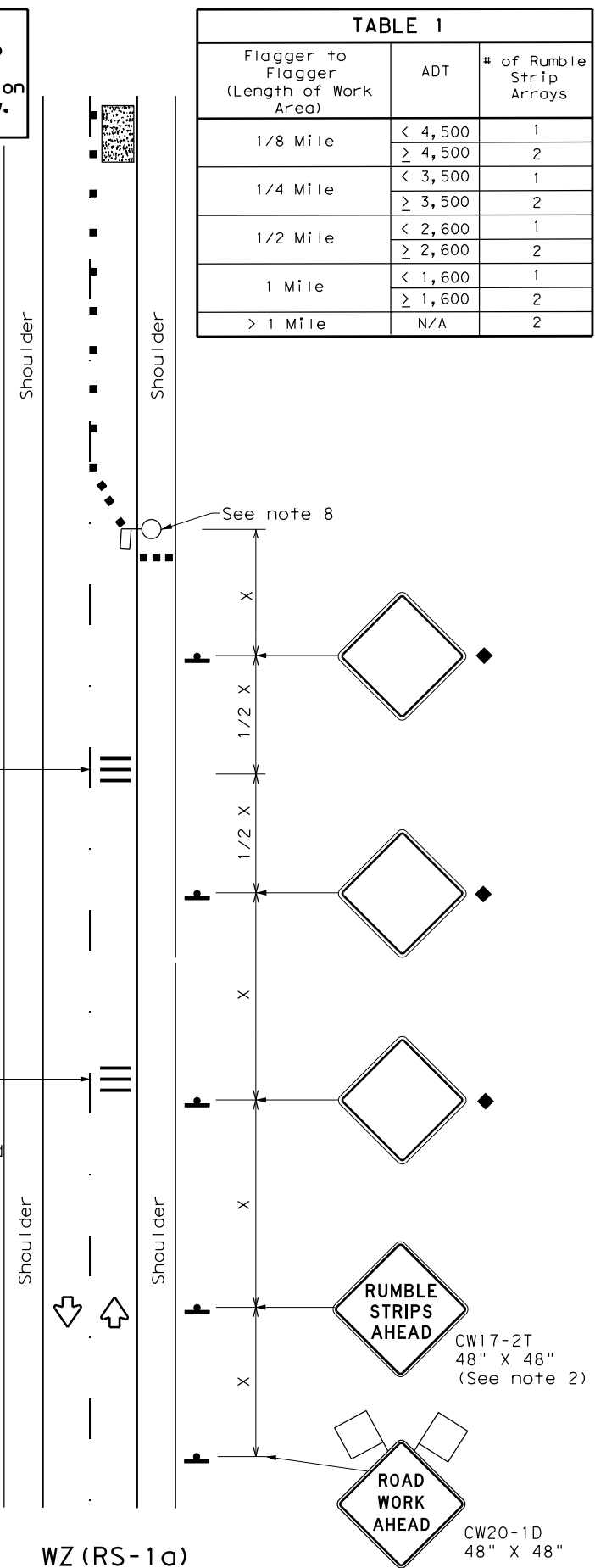
TCP (6-5) - 12

FILE:	tcp6-5.dgn	DN:	TxDOT	CK:	TxDOT	DW:	TxDOT	CK:	TxDOT
©TxDOT	February 1998	CONT	SECT	JOB	HIGHWAY				
REVISIONS		0275	01	244	IH 40				
1-97	8-98	DIST	COUNTY	SHEET NO.					
4-98	8-12	AMA	POTTER	31					

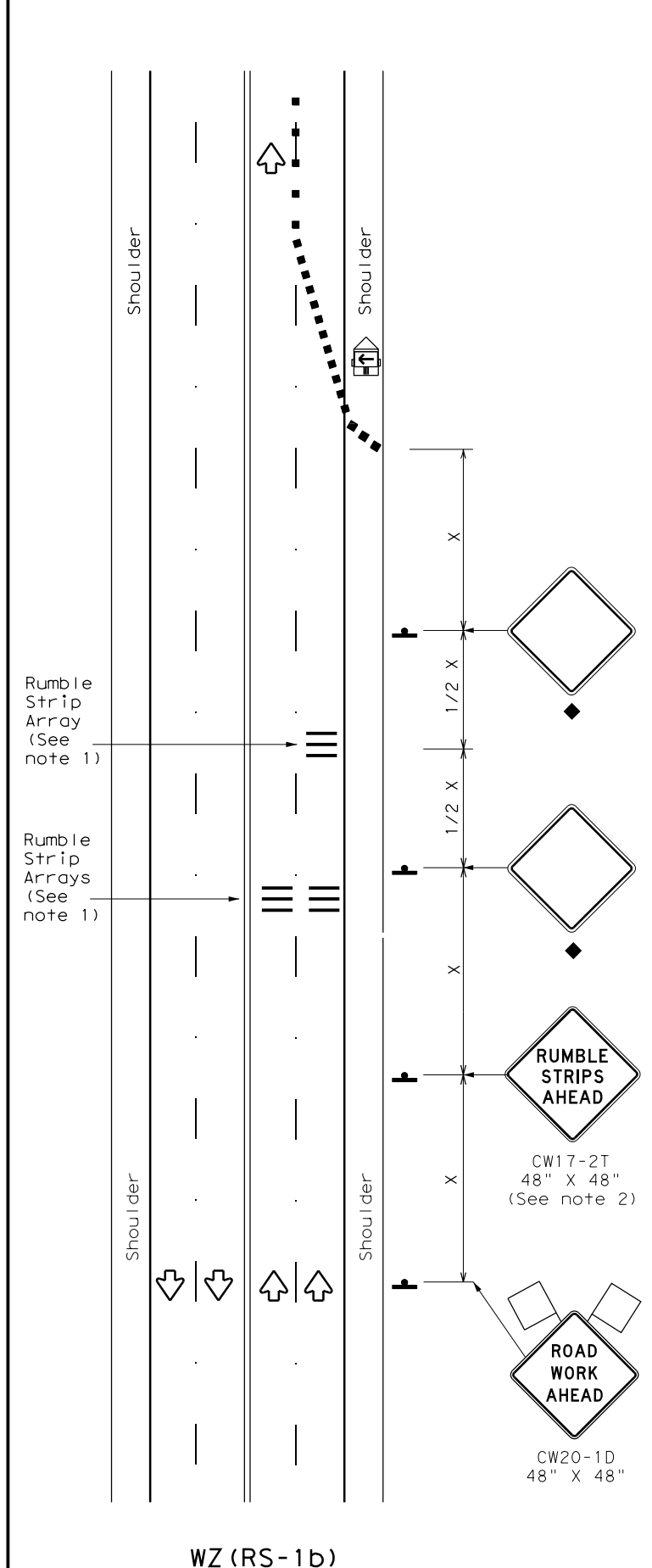
DATE: 2/7/2024 9:47:01 AM
 FILE: K:\01509\01509-0027-10 TxDOT AMA PS&E IH 40\TRAFFIC\SWA1\Standards\wzrs22.dgn
 DISCLAIMER: The use of this standard is governed by the "Texas Engineering Practice Act". No warranty of any kind is made by TxDOT for any purpose whatsoever. TxDOT assumes no responsibility for the conversion of this standard to other formats or for incorrect results or damages resulting from its use.

Warning sign and rumble strip sequence in opposite direction is same as below.

Flagger to Flagger (Length of Work Area)	ADT	# of Rumble Strip Arrays
1/8 Mile	< 4,500	1
	≥ 4,500	2
1/4 Mile	< 3,500	1
	≥ 3,500	2
1/2 Mile	< 2,600	1
	≥ 2,600	2
1 Mile	< 1,600	1
	≥ 1,600	2
> 1 Mile	N/A	2



RUMBLE STRIPS ON ONE-LANE TWO-WAY APPLICATION



RUMBLE STRIPS FOR LANE CLOSURE ON CONVENTIONAL ROADWAY

GENERAL NOTES

- Each Rumble Strip Array should consist of three rumble strips spaced center to center at the spacing shown in Table 2, placed transverse across the lane at locations shown.
- The CW17-2T "RUMBLE STRIPS AHEAD" sign should be located after the CW20-1D "ROAD WORK AHEAD" sign and spaced as shown. If traffic is observed to be queuing, or is expected to queue beyond the Rumble Strips, the CW17-2T sign and the first Rumble Strip Array may be located upstream of the CW20-1D sign as necessary to provide needed warning.
- Temporary Rumble Strips will be considered subsidiary to Item 502, and shall be a product listed on the Compliant Work Zone Traffic Control Devices.
- Remove Temporary Rumble Strips before removing the advanced warning signs.
- Temporary Rumble Strips should not be used on horizontal curves, loose gravel, soft or bleeding asphalt, heavily rutted pavements or unpaved surfaces.
- Temporary Rumble Strips shall be installed and maintained as per manufacturer's recommendations.
- This standard sheet shall be used in conjunction with other appropriate TCP standard, TMUTCD typical application or project specific detail for the project.
- The one-lane two-way application may utilize a flagger, an Automated Flagger Assistance Device (AFAD) or a Portable Traffic Signal (PTS).
- Replace defective Temporary Rumble Strips as directed by the Engineer.
- Temporary Rumble Strips may be used on freeways or expressways based on engineering judgment and written direction from the Engineer.

Speed	Approximate distance between strips in an array
≤ 40 MPH	10'
> 40 MPH & ≤ 55 MPH	15'
= 60 MPH	20'
≥ 65 MPH	* 35' +

	Type 3 Barricade		Channelizing Devices
	Heavy Work Vehicle		Truck Mounted Attenuator (TMA)
	Trailer Mounted Flashing Arrow Panel		Portable Changeable Message Sign (PCMS)
	Sign		Traffic Flow
	Flag		Flagger

Posted Speed *	Formula	Minimum Desirable Taper Lengths **			Suggested Maximum Spacing of Channelizing Devices		Minimum Sign Spacing "X" Distance	Suggested Longitudinal Buffer Space "B"
		10' Offset	11' Offset	12' Offset	On a Taper	On a Tangent		
30	L = WS ² / 60	150'	165'	180'	30'	60'	120'	90'
35		205'	225'	245'	35'	70'	160'	120'
40		265'	295'	320'	40'	80'	240'	155'
45	L = WS	450'	495'	540'	45'	90'	320'	195'
50		500'	550'	600'	50'	100'	400'	240'
55		550'	605'	660'	55'	110'	500'	295'
60		600'	660'	720'	60'	120'	600'	350'
65		650'	715'	780'	65'	130'	700'	410'
70		700'	770'	840'	70'	140'	800'	475'
75		750'	825'	900'	75'	150'	900'	540'

* Conventional Roads Only
 ** Taper lengths have been rounded off.
 L=Length of Taper (FT) W=Width of Offset (FT)
 S=Posted Speed (MPH)

MOBILE	SHORT DURATION	SHORT TERM STATIONARY	INTERMEDIATE TERM STATIONARY	LONG TERM STATIONARY
	✓	✓		

◆ Signs are for illustrative purposes only. Signs required may vary depending on the TCP, TMUTCD Typical Application, or project specific details for the project.
 * For posted speeds in excess of 65 MPH, it is recommended that spacing is increased as speed limits increase. Increasing space between rumble strips will improve effectiveness.

Texas Department of Transportation
 Traffic Safety Division Standard

TEMPORARY RUMBLE STRIPS

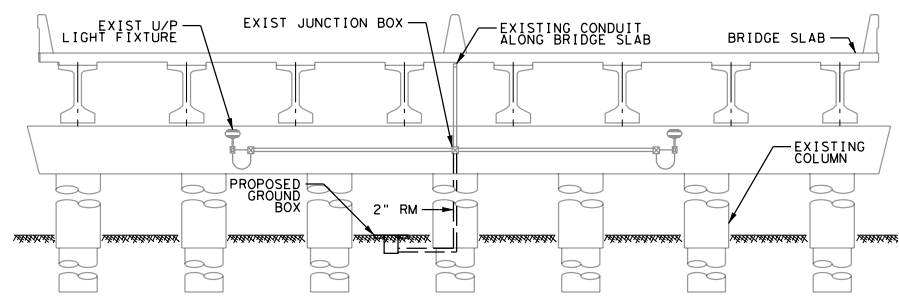
WZ (RS) - 22

FILE: wzrs22.dgn	DN: TxDOT	CK: TxDOT	DW: TxDOT	CK: TxDOT
© TxDOT November 2012	CONT	SECT	JOB	HIGHWAY
REVISIONS	0275	01	244	IH 40
2-14 1-22	DIST	COUNTY	SHEET NO.	
4-16	AMA	POTTER	32	

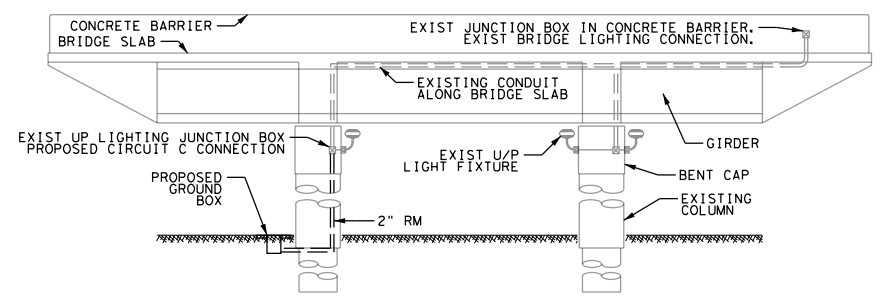
DATE: 2/13/2024 4:58:12 PM
 USER: T_Cowser
 FILE: K:\01509\01509-0027-10 TxDOT AMA PS&E IH 40 TRAFFIC SWA1\Sheets\SWA1_SHTXX_SWA1_ILLUM_03.dgn
 PLOTDRIVER: BW_HALF_PDF.plt
 PENTABLE: IH40_SWA1_penttable.tbl

GENERAL NOTES:

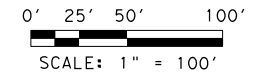
- MATCH LINE AND ANNOTATION STATIONING IS BASED OFF IH 40.
- ASSUMED N VALUE = 5 BLOWS/FT.
- DISPOSE OF REPLACED LUMINAIRES PROPERLY.
- ALL EXISTING WIRING AND CONDUIT IN BARRIER TO REMAIN AFTER EXISTING ILLUMINATION IS REMOVED.
- THE QUANTITY FOR BID ITEM, 0690 6009 REMOVAL OF CABLES, IS DETERMINED BY THE LENGTH OF THE RUN. NO ADDITIONAL PAYMENT WILL BE MADE FOR REMOVAL OF MULTIPLE CABLES WITHIN A SINGLE RUN OF CONDUIT.
- EXISTING STANDARD BRIDGE LIGHTING (QTY 4) AND EXISTING UNDERPASS LIGHTING TO REMAIN AND BE REROUTED AND RECONNECTED TO PROPOSED ELECTRICAL SERVICE #2 AS PROPOSED CIRCUIT C. THEY WILL BE CONNECTED THROUGH A PROPOSED 2" RM CONDUIT CONNECTING THE EXISTING UNDERPASS LIGHTING JUNCTION BOX TO THE PROPOSED GROUND BOX. THE EXISTING UNDERPASS LIGHTING JUNCTION BOX ALREADY CONNECTS TO AN EXISTING JUNCTION BOX ABOVE THE BRIDGE IN THE EXISTING CONCRETE BARRIER. THIS CONCRETE BARRIER JUNCTION BOX CONNECTS TO THE EXISTING BRIDGE LIGHTING.
- THE EXISTING JUNCTION BOX IN THE CONCRETE BARRIER (SEE NOTE 6) CONNECTS THE EXISTING BRIDGE LIGHTING (SEE NOTE 6) TO THE EXISTING UNDERPASS LIGHTING JUNCTION BOX (SEE NOTE 6). THE UNDERPASS LIGHTING JUNCTION BOX CONNECTS TO THE PROPOSED GROUND BOX THROUGH A PROPOSED 2" RM CONDUIT. THE EXISTING LIGHTING WILL BE REROUTED AND RECONNECTED TO PROPOSED ELECTRICAL SERVICE #2 AS PROPOSED CIRCUIT C.



UNDERPASS ILLUMINATION MOUNTING DETAIL A-A
(IH 40 AT SONCY RD)
N.T.S.



UNDERPASS ILLUMINATION MOUNTING DETAIL B-B
(IH 40 AT SONCY RD)
N.T.S.

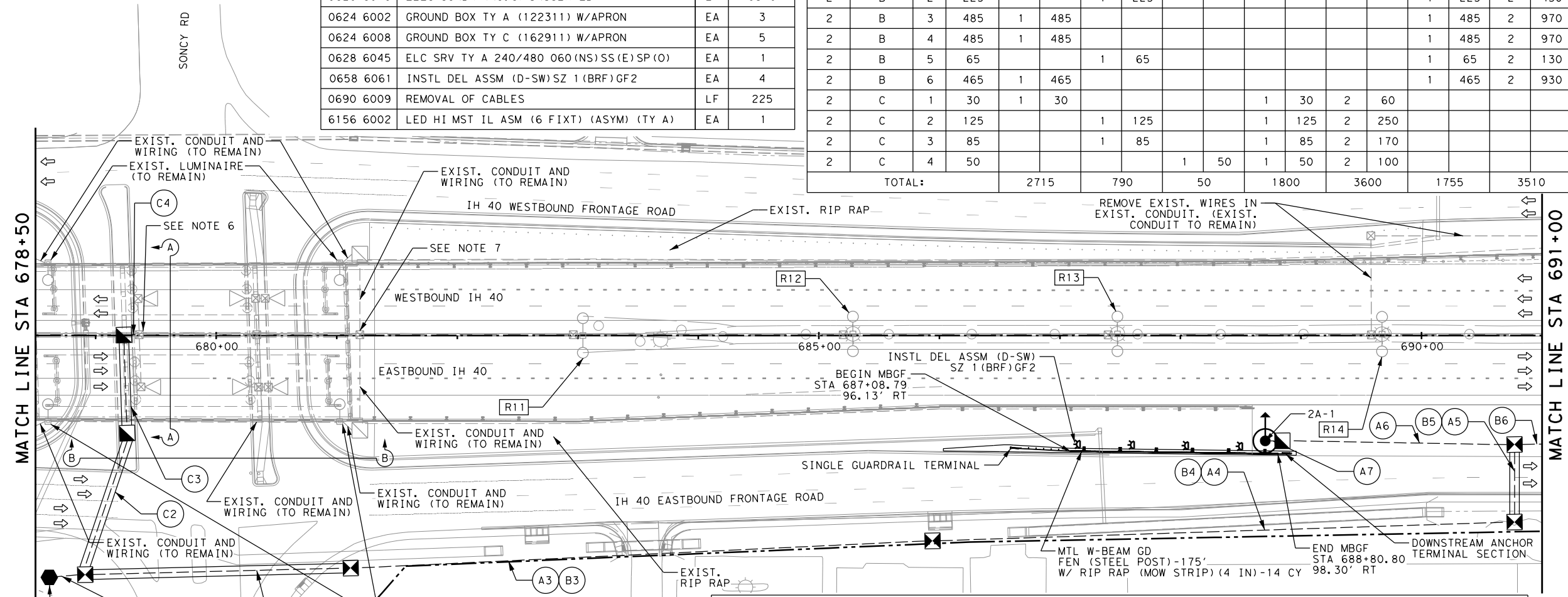


LEGEND:

- APPROX. ROW
- EXIST. STANDARD ILLUM.
- EXIST. DBL. STAN. ILLUM.
- EXIST. UNDERPASS ILLUM.
- [R1] EXIST. ILLUM. POLES TO BE REMOVED
- [U1] EXIST. ILLUM. POLES TO BE UPGRADED TO LED FIXTURES
- EXIST. CONDUIT
- XX-X → [Symbol] PROP. HIGH MAST ILLUM. (6-LED ASYM FIXTURE)
- [Symbol] PROP. ELECTRIC SERVICE POINT
- [Symbol] PROP. TYPE A GROUND BOX WITH APRON
- [Symbol] PROP. TYPE C GROUND BOX WITH APRON
- PROP. ELECTRICAL CONDUIT
- PROP. BORED ELECTRICAL CONDUIT
- PROP. ELECTRICAL CONDUIT RIGID METAL
- XX-X → [Symbol] PROP. UNDERPASS LIGHT FIX. (150' W. EQ LED) (TY 1)
- [Symbol] PROP. DISCONNECT SWITCH
- [Symbol] PROP. JUNCTION BOX
- XX-X LUMINAIRE ID
- [Symbol] LUMINAIRE NUMBER
- [Symbol] CIRCUIT LETTER
- [Symbol] SERVICE NUMBER

SUMMARY OF QUANTITIES			
ITEM	QUANTITY	UNIT	QUANTITY
0416 6026	DRILL SHAFT (HIGH MAST POLE) (60 IN)	LF	46
0432 6001	RIPRAP (CONC) (4 IN)	CY	3
0432 6045	RIPRAP (MOW STRIP) (4 IN)	CY	14
0540 6002	MTL W-BEAM GD FEN (STEEL POST)	LF	175
0540 6016	DOWNSTREAM ANCHOR TERMINAL SECTION	EA	1
0544 6001	GUARDRAIL END TREATMENT (INSTALL)	EA	1
0610 6008	REMOVE RD IL ASM (CTB MOUNT)	EA	4
0613 6006	HI MST IL POLE (150 FT) (100 MPH)	EA	1
0618 6046	COND (PVC) (SCH 80) (2")	LF	2715
0618 6047	COND (PVC) (SCH 80) (2") (BORE)	LF	790
0618 6070	COND (RM) (2")	LF	50
0620 6007	ELEC CONDR (NO. 8) BARE	LF	1800
0620 6008	ELEC CONDR (NO. 8) INSULATED	LF	3600
0620 6009	ELEC CONDR (NO. 6) BARE	LF	1755
0620 6010	ELEC CONDR (NO. 6) INSULATED	LF	3510
0624 6002	GROUND BOX TY A (122311) W/APRON	EA	3
0624 6008	GROUND BOX TY C (162911) W/APRON	EA	5
0628 6045	ELC SRV TY A 240/480 060(NS)SS(E)SP(O)	EA	1
0658 6061	INSTL DEL ASSM (D-SW) SZ 1 (BRF) GF2	EA	4
0690 6009	REMOVAL OF CABLES	LF	225
6156 6002	LED HI MST IL ASM (6 FIXT) (ASYM) (TY A)	EA	1

SCHEDULE OF CONDUIT AND CONDUCTORS																	
ELEC. SERV. #	CIRCUIT LETTER	RUN NO.	LENGTH	CONDUIT (NO & LENGTH IN FEET)						CONDUCTOR (NO & LENGTH IN FEET)							
				2" PVC (TRENCH)		2" PVC (BORED)		2" RM		#8 AWG (BARE)		#8 AWG (INSULATED)		#6 AWG (BARE)		#6 AWG (INSULATED)	
				EA	LF	EA	LF	EA	LF	EA	LF	EA	LF	EA	LF	EA	LF
2	A	1	30	1	30					1	30	2	60				
2	A	2	225			1	225			1	225	2	450				
2	A	3	485	1	485					1	485	2	970				
2	A	4	485	1	485					1	485	2	970				
2	A	5	65			1	65			1	65	2	130				
2	A	6	210	1	210					1	210	2	420				
2	A	7	10	1	10					1	10	2	20				
2	B	1	30	1	30									1	30	2	60
2	B	2	225			1	225							1	225	2	450
2	B	3	485	1	485									1	485	2	970
2	B	4	485	1	485									1	485	2	970
2	B	5	65			1	65							1	65	2	130
2	B	6	465	1	465									1	465	2	930
2	C	1	30	1	30					1	30	2	60				
2	C	2	125			1	125			1	125	2	250				
2	C	3	85			1	85			1	85	2	170				
2	C	4	50														
TOTAL:						2715	790	50	1800	3600	1755	3510					



SCHEDULE OF ILLUMINATION POLE ASSEMBLIES						
POLE NO.	DESCRIPTION	CENTERLINE	STATION	OFFSET	60" DRILL SHAFT (LF)	4" CONC RIPRAP (CY)
2A-1	LED HI MST IL ASM (6 FIXT) (ASYM) (TY A) - (150T)	IH 40	688+70.37	87.46 RT	46	3

NO.	DATE	REVISION	APPROVED



ILLUMINATION LAYOUT
STA 678+50 TO STA 691+00

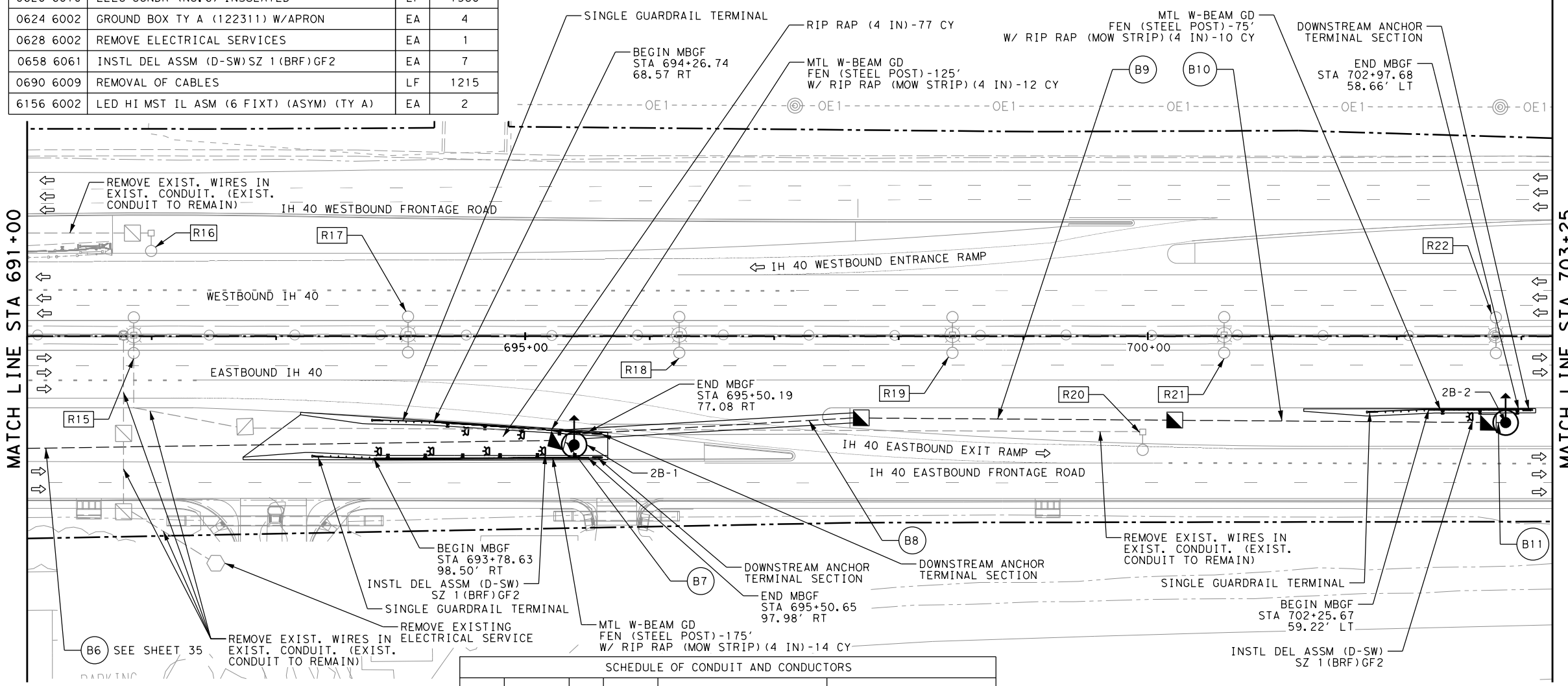
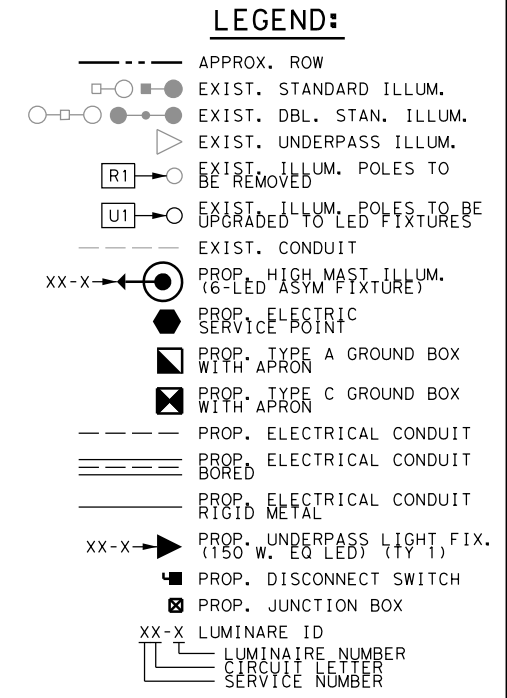
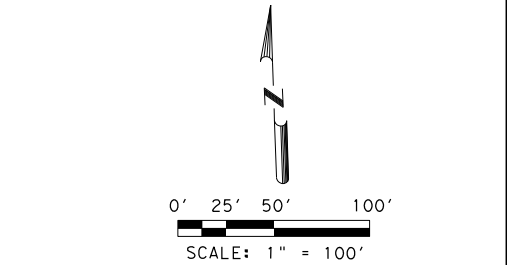
SHEET 3 OF 67

FED. RD. DIV. NO.	FEDERAL AID PROJECT NO.	HIGHWAY NO.
6	SEE TITLE SHEET	IH 40
STATE	DIST.	COUNTY
TEXAS	AMA	POTTER
CONT.	SECT.	JOB
0275	01	244
		35

DATE: 2/7/2024 9:47:15 AM
 FILE: K:\01509\01509-002\7-10\TXDOT\AMA\PS&E\IH 40\TRAFFIC\SWA1\Sheets\PI_SHTXX_SWA1_ILLUM_04.dgn
 USER: T_Cowser
 PLOT DRIVER: BW_HALF_PDF.plt
 PENTABLE: IH40_SWA1_pentTable.tbl

SUMMARY OF QUANTITIES			
ITEM	QUANTITY	UNIT	QUANTITY
0416 6026	DRILL SHAFT (HIGH MAST POLE) (60 IN)	LF	92
0432 6001	RIPRAP (CONC) (4 IN)	CY	80
0432 6045	RIPRAP (MOW STRIP) (4 IN)	CY	36
0540 6002	MTL W-BEAM GD FEN (STEEL POST)	LF	375
0540 6016	DOWNSTREAM ANCHOR TERMINAL SECTION	EA	3
0544 6001	GUARDRAIL END TREATMENT (INSTALL)	EA	3
0610 6008	REMOVE RD IL ASM (CTB MOUNT)	EA	6
0610 6009	REMOVE RD IL ASM (TRANS-BASE)	EA	2
0613 6006	HI MST IL POLE (150 FT) (100 MPH)	EA	2
0618 6046	CONDT (PVC) (SCH 80) (2")	LF	545
0618 6047	CONDT (PVC) (SCH 80) (2") (BORE)	LF	245
0620 6009	ELEC CONDR (NO. 6) BARE	LF	790
0620 6010	ELEC CONDR (NO. 6) INSULATED	LF	1580
0624 6002	GROUND BOX TY A (122311) W/APRON	EA	4
0628 6002	REMOVE ELECTRICAL SERVICES	EA	1
0658 6061	INSTL DEL ASSM (D-SW) SZ 1 (BRF) GF2	EA	7
0690 6009	REMOVAL OF CABLES	LF	1215
6156 6002	LED HI MST IL ASM (6 FIXT) (ASYM) (TY A)	EA	2

SCHEDULE OF ILLUMINATION POLE ASSEMBLIES							
POLE NO.	DESCRIPTION	CENTERLINE	STATION	OFFSET	60" DRILL SHAFT (LF)	4" CONC RIPRAP (CY)	
2B-1	LED HI MST IL ASM (6 FIXT) (ASYM) (TY A) - (150T)	IH 40	695+39.29	87.24 RT	46	3	
2B-2	LED HI MST IL ASM (6 FIXT) (ASYM) (TY A) - (150T)	IH 40	702+87.37	69.39 RT	46	3	
TOTAL:					92	6	



- GENERAL NOTES:**
- MATCH LINE AND ANNOTATION STATIONING IS BASED OFF IH 40.
 - ASSUMED N VALUE = 5 BLOWS/FT.
 - DISPOSE OF REPLACED LUMINAIRES PROPERLY.
 - ALL EXISTING WIRING AND CONDUIT IN BARRIER TO REMAIN AFTER EXISTING ILLUMINATION IS REMOVED.
 - THE QUANTITY FOR BID ITEM, 0690 6009 REMOVAL OF CABLES, IS DETERMINED BY THE LENGTH OF THE RUN. NO ADDITIONAL PAYMENT WILL BE MADE FOR REMOVAL OF MULTIPLE CABLES WITHIN A SINGLE RUN OF CONDUIT.

SCHEDULE OF CONDUIT AND CONDUCTORS											
ELEC. SERV. #	CIRCUIT LETTER	RUN NO.	LENGTH	CONDUIT (NO & LENGTH IN FEET)				CONDUCTOR (NO & LENGTH IN FEET)			
				2" PVC (TRENCH)		2" PVC (BORED)		#6 AWG (BARE)		#6 AWG (INSULATED)	
				EA	LF	EA	LF	EA	LF	EA	LF
2	B	6		SEE SHEET 35							
2	B	7	10	1	10			1	10	2	20
2	B	8	245			1	245	1	245	2	490
2	B	9	255	1	255			1	255	2	510
2	B	10	270	1	270			1	270	2	540
2	B	11	10	1	10			1	10	2	20
TOTAL:					545		245		790		1580

NO.	DATE	REVISION	APPROVED



ILLUMINATION LAYOUT			
STA 691+00 TO STA 703+25			
SHEET 4 OF 67			
FED. RD. DIV. NO.	FEDERAL AID PROJECT NO.	HIGHWAY NO.	
6	SEE TITLE SHEET	IH 40	
STATE	DIST.	COUNTY	SHEET NO.
TEXAS	AMA	POTTER	36
CONT.	SECT.	JOB	
0275	01	244	

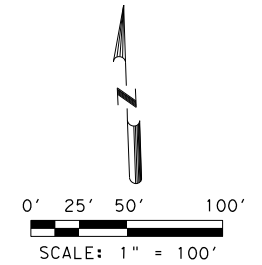
PLOTDRIVER: BW_HALF_PDF.plt
 PENTABLE: IH40_SWAI_penttable.tbl

USER: T_Cowser
 FILE: K:\01509\01509-002\7-10\TXDOT AMA PS&E_IH 40\TRAFFIC\SWAI\Sheets\PI_SHTXX_SWAI_ILLUM_05.dgn

DATE: 2/7/2024 9:47:16 AM
 FILE: K:\01509\01509-002\7-10\TXDOT AMA PS&E_IH 40\TRAFFIC\SWAI\Sheets\PI_SHTXX_SWAI_ILLUM_05.dgn

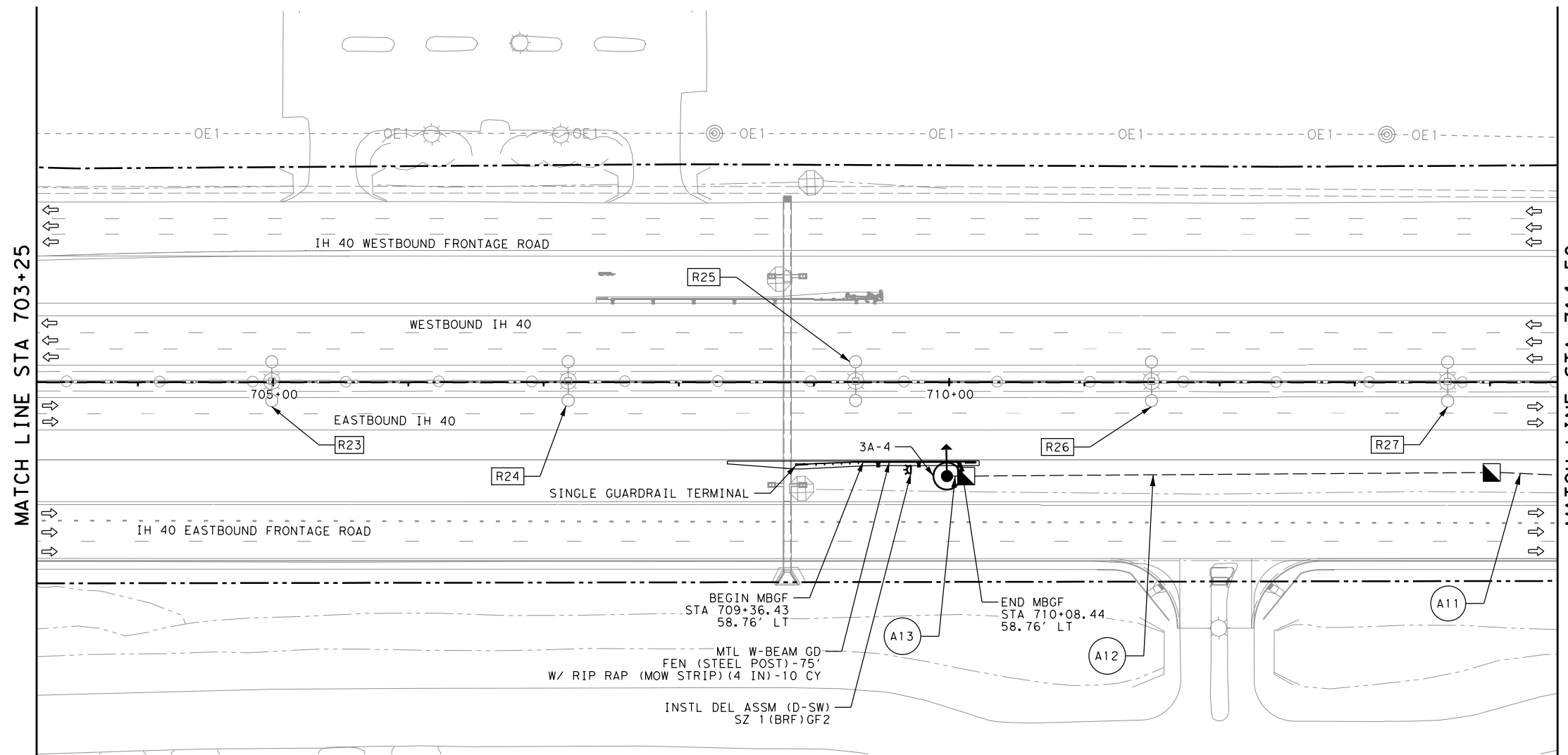
SCHEDULE OF CONDUIT AND CONDUCTORS									
ELEC. SERV. #	CIRCUIT LETTER	RUN NO.	LENGTH	CONDUIT (NO & LENGTH IN FEET)		CONDUCTOR (NO & LENGTH IN FEET)			
				618 6046		620 6009		620 6010	
				2" PVC (TRENCH)		#6 AWG (BARE)		#6 AWG (INSULATED)	
				EA	LF	EA	LF	EA	LF
3	A	11	395	1	395	1	395	2	790
3	A	12	405	1	405	1	405	2	810
3	A	13	10	1	10	1	10	2	20
TOTAL:					810		810		1620

SUMMARY OF QUANTITIES			
ITEM	QUANTITY	UNIT	QUANTITY
0416 6026	DRILL SHAFT (HIGH MAST POLE) (60 IN)	LF	46
0432 6001	RIPRAP (CONC) (4 IN)	CY	3
0432 6045	RIPRAP (MOW STRIP) (4 IN)	CY	10
0540 6002	MTL W-BEAM GD FEN (STEEL POST)	LF	75
0540 6016	DOWNSTREAM ANCHOR TERMINAL SECTION	EA	1
0544 6001	GUARDRAIL END TREATMENT (INSTALL)	EA	1
0610 6008	REMOVE RD IL ASM (CTB MOUNT)	EA	5
0613 6006	HI MST IL POLE (150 FT) (100 MPH)	EA	1
0618 6046	COND (PVC) (SCH 80) (2")	LF	810
0620 6009	ELEC CONDR (NO.6) BARE	LF	810
0620 6010	ELEC CONDR (NO.6) INSULATED	LF	1620
0624 6002	GROUND BOX TY A (122311) W/APRON	EA	2
0658 6061	INSTL DEL ASSM (D-SW) SZ 1 (BRF) GF2	EA	1
6156 6002	LED HI MST IL ASM (6 FIXT) (ASYM) (TY A)	EA	1



LEGEND:

- APPROX. ROW
- EXIST. STANDARD ILLUM.
- EXIST. DBL. STAN. ILLUM.
- EXIST. UNDERPASS ILLUM.
- [R1] ○ EXIST. ILLUM. POLES TO BE REMOVED
- [U1] ○ EXIST. ILLUM. POLES TO BE UPGRADED TO LED FIXTURES
- EXIST. CONDUIT
- XX-X ○ PROP. HIGH MAST ILLUM. (6-LED ASYM FIXTURE)
- PROP. ELECTRIC SERVICE POINT
- PROP. TYPE A GROUND BOX WITH APRON
- PROP. TYPE C GROUND BOX WITH APRON
- PROP. ELECTRICAL CONDUIT
- === PROP. BORED ELECTRICAL CONDUIT
- PROP. ELECTRICAL CONDUIT RIGID METAL
- XX-X → PROP. UNDERPASS LIGHT FIX. (150' W. EQ LED) (TY 1)
- PROP. DISCONNECT SWITCH
- PROP. JUNCTION BOX
- XX-X LUMINAIRE ID
- LUMINAIRE NUMBER
- CIRCUIT LETTER
- SERVICE NUMBER



GENERAL NOTES:

- MATCH LINE AND ANNOTATION STATIONING IS BASED OFF R IH 40.
- ASSUMED N VALUE = 5 BLOWS/FT.
- DISPOSE OF REPLACED LUMINAIRES PROPERLY.
- ALL EXISTING WIRING AND CONDUIT IN BARRIER TO REMAIN AFTER EXISTING ILLUMINATION IS REMOVED.

SCHEDULE OF ILLUMINATION POLE ASSEMBLIES						
POLE NO.	DESCRIPTION	CENTERLINE	STATION	OFFSET	60" DRILL SHAFT (LF)	4" CONC RIPRAP (CY)
3A-4	LED HI MST IL ASM (6 FIXT) (ASYM) (TY A) - (150T)	IH 40	709+98.34	69.49 RT	46	3

NO.	DATE	REVISION	APPROVED



ILLUMINATION LAYOUT
STA 703+25 TO STA 714+50

SHEET 5 OF 67

FED. RD. DIV. NO.	FEDERAL AID PROJECT NO.	HIGHWAY NO.
6	SEE TITLE SHEET	IH 40
STATE	DIST.	COUNTY
TEXAS	AMA	POTTER
CONT.	SECT.	JOB
0275	01	244

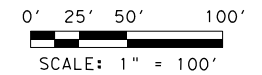
PLOTDRIVER: BW_HALF_PDF.plt
 PENTABLE: IH40_SWAI_pentTable.tbl

USER: T_Cowser
 FILE: K:\01509\01509-002\7-10\TXDOT\AMA PS&E_IH 40\TRAFFIC\SWAI\Shts\Illum\09.dgn

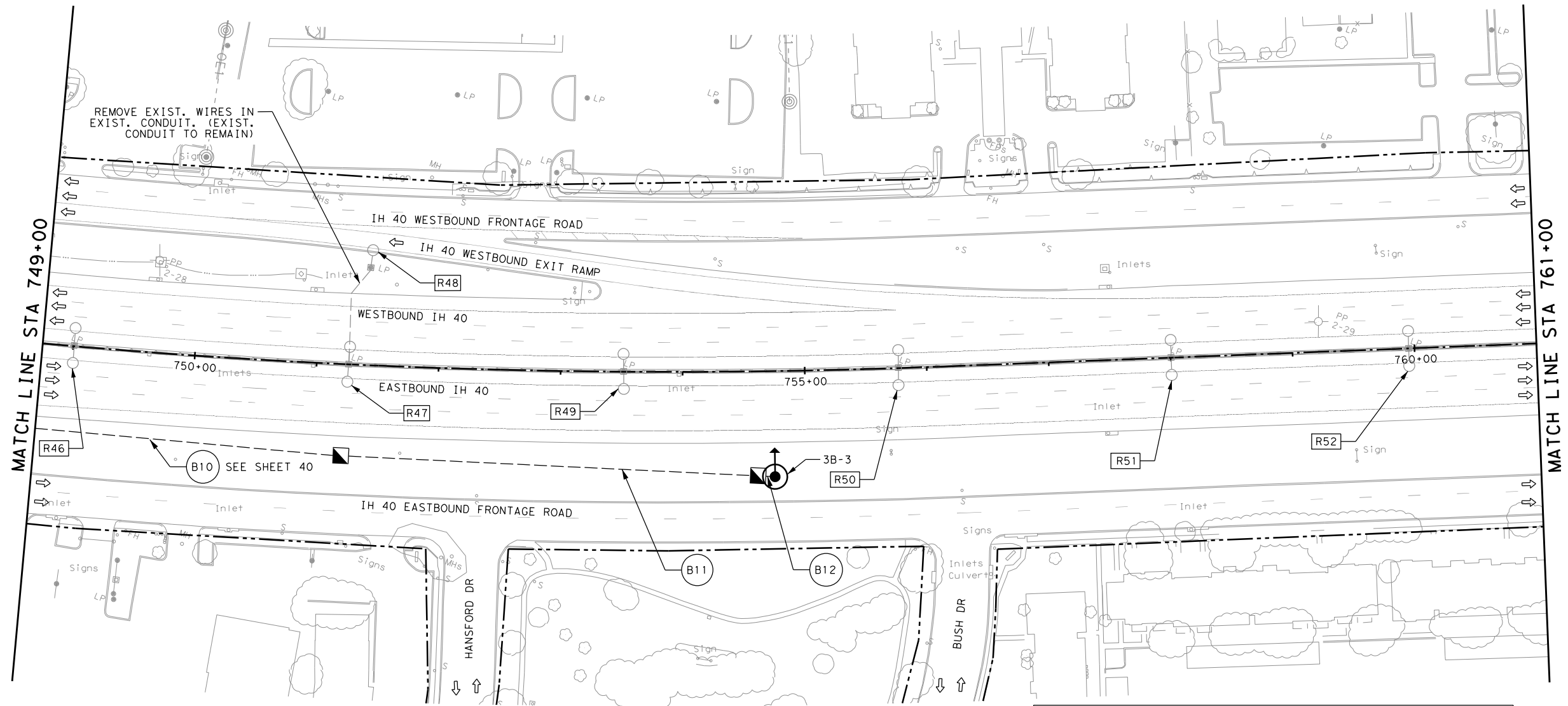
DATE: 2/7/2024 9:47:20 AM
 FILE: K:\01509\01509-002\7-10\TXDOT\AMA PS&E_IH 40\TRAFFIC\SWAI\Shts\Illum\09.dgn

SCHEDULE OF CONDUIT AND CONDUCTORS										
ELEC. SERV. #	CIRCUIT LETTER	RUN NO.	LENGTH	CONDUIT (NO & LENGTH IN FEET)		CONDUCTOR (NO & LENGTH IN FEET)				
				2" PVC (TRENCH)		#6 AWG (BARE)		#6 AWG (INSULATED)		
				EA	LF	EA	LF	EA	LF	
3	B	10		SEE SHEET 40						
3	B	11	360	1	360	1	360	2	720	
3	B	12	10	1	10	1	10	2	20	
TOTAL:				370		370		740		

SCHEDULE OF ILLUMINATION POLE ASSEMBLIES						
POLE NO.	DESCRIPTION	CENTERLINE	STATION	OFFSET	60" DRILL SHAFT (LF)	4" CONC RIPRAP (CY)
3B-3	LED HI MST IL ASM (6 FIXT) (ASYM) (TY A) - (150T)	IH 40	754+74.47	86.48 RT	46	3



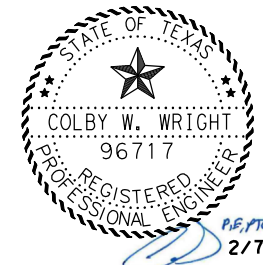
- LEGEND:**
- APPROX. ROW
 - EXIST. STANDARD ILLUM.
 - EXIST. DBL. STAN. ILLUM.
 - EXIST. UNDERPASS ILLUM.
 - [R1] ○ EXIST. ILLUM. POLES TO BE REMOVED
 - [U1] ○ EXIST. ILLUM. POLES TO BE UPGRADED TO LED FIXTURES
 - EXIST. CONDUIT
 - XX-X ○ PROP. HIGH MAST ILLUM. (6-LED ASYM FIXTURE)
 - PROP. ELECTRIC SERVICE POINT
 - PROP. TYPE A GROUND BOX WITH APRON
 - PROP. TYPE C GROUND BOX WITH APRON
 - PROP. ELECTRICAL CONDUIT
 - PROP. ELECTRICAL CONDUIT BORED
 - PROP. ELECTRICAL CONDUIT RIGID METAL
 - XX-X ○ PROP. UNDERPASS LIGHT FIX. (150' W. EQ LED) (TY 1)
 - PROP. DISCONNECT SWITCH
 - PROP. JUNCTION BOX
 - XX-X LUMINAIRE ID
 - LUMINAIRE NUMBER
 - CIRCUIT LETTER
 - SERVICE NUMBER



- GENERAL NOTES:**
- MATCH LINE AND ANNOTATION STATIONING IS BASED OFF IH 40.
 - ASSUMED N VALUE = 5 BLOWS/FT.
 - DISPOSE OF REPLACED LUMINAIRES PROPERLY.
 - ALL EXISTING WIRING AND CONDUIT IN BARRIER TO REMAIN AFTER EXISTING ILLUMINATION IS REMOVED.
 - THE QUANTITY FOR BID ITEM, 0690 6009 REMOVAL OF CABLES, IS DETERMINED BY THE LENGTH OF THE RUN. NO ADDITIONAL PAYMENT WILL BE MADE FOR REMOVAL OF MULTIPLE CABLES WITHIN A SINGLE RUN OF CONDUIT.

SUMMARY OF QUANTITIES			
ITEM	QUANTITY	UNIT	QUANTITY
0416 6026	DRILL SHAFT (HIGH MAST POLE) (60 IN)	LF	46
0432 6001	RIPRAP (CONC) (4 IN)	CY	3
0610 6008	REMOVE RD IL ASM (CTB MOUNT)	EA	6
0610 6009	REMOVE RD IL ASM (TRANS-BASE)	EA	1
0613 6006	HI MST IL POLE (150 FT) (100 MPH)	EA	1
0618 6046	CONDT (PVC) (SCH 80) (2")	LF	370
0620 6009	ELEC CONDR (NO. 6) BARE	LF	370
0620 6010	ELEC CONDR (NO. 6) INSULATED	LF	740
0624 6002	GROUND BOX TY A (122311) W/APRON	EA	2
0690 6009	REMOVAL OF CABLES	LF	90
6156 6002	LED HI MST IL ASM (6 FIXT) (ASYM) (TY A)	EA	1

NO.	DATE	REVISION	APPROVED



ILLUMINATION LAYOUT
 STA 749+00 TO STA 761+00

SHEET 9 OF 67

FED. RD. DIV. NO.	FEDERAL AID PROJECT NO.	HIGHWAY NO.
6	SEE TITLE SHEET	IH 40
STATE	DIST.	COUNTY
TEXAS	AMA	POTTER
CONT.	SECT.	JOB
0275	01	244

41

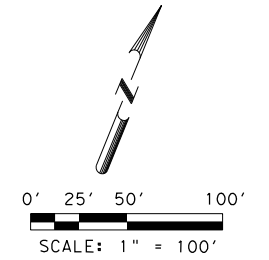
PLOTDRIVER: BW_HALF_PDF.plt
 PENTABLE: IH40_SWAI_penttable.tbl

USER: T_Cowser
 FILE: K:\01509\01509-002\7-10\TXDOT\AMA_PS&E_IH_40\TRAFFIC\SWAI\SHTXX_SWAI_ILLUM_10.dgn

DATE: 2/7/2024 9:47:21 AM
 FILE: K:\01509\01509-002\7-10\TXDOT\AMA_PS&E_IH_40\TRAFFIC\SWAI\SHTXX_SWAI_ILLUM_10.dgn

SCHEDULE OF ILLUMINATION POLE ASSEMBLIES						
POLE NO.	DESCRIPTION	CENTERLINE	STATION	OFFSET	60" DRILL SHAFT (LF)	4" CONC RIPRAP (CY)
4A-3	LED HI MST IL ASM (6 FIXT) (ASYM) (TY A) - (150T)	IH 40	768+92.13	89.92 LT	46	3
4A-4	LED HI MST IL ASM (6 FIXT) (ASYM) (TY A) - (150T)	IH 40	761+79.51	87.37 LT	46	3
TOTAL:					92	6

SCHEDULE OF CONDUIT AND CONDUCTORS									
ELEC. SERV. #	CIRCUIT LETTER	RUN NO.	LENGTH	CONDUIT (NO & LENGTH IN FEET)		CONDUCTOR (NO & LENGTH IN FEET)			
				2" PVC (TRENCH)		#6 AWG (BARE)		#6 AWG (INSULATED)	
				EA	LF	EA	LF	EA	LF
4	A	8	425	1	425	1	425	2	850
4	A	9	10	1	10	1	10	2	20
4	A	10	350	1	350	1	350	2	700
4	A	11	375	1	375	1	375	2	750
4	A	12	10	1	10	1	10	2	20
TOTAL:				1170	1170	2340			



- LEGEND:**
- APPROX. ROW
 - EXIST. STANDARD ILLUM.
 - EXIST. DBL. STAN. ILLUM.
 - EXIST. UNDERPASS ILLUM.
 - R1 EXIST. ILLUM. POLES TO BE REMOVED
 - U1 EXIST. ILLUM. POLES TO BE UPGRADED TO LED FIXTURES
 - EXIST. CONDUIT
 - XX-X ○ PROP. HIGH MAST ILLUM. (6-LED ASYM FIXTURE)
 - PROP. ELECTRIC SERVICE POINT
 - PROP. TYPE A GROUND BOX WITH APRON
 - PROP. TYPE C GROUND BOX WITH APRON
 - PROP. ELECTRICAL CONDUIT
 - PROP. BORED ELECTRICAL CONDUIT
 - PROP. ELECTRICAL CONDUIT RIGID METAL
 - XX-X ○ PROP. UNDERPASS LIGHT FIX. (150' W. EQ LED) (TY 1)
 - PROP. DISCONNECT SWITCH
 - PROP. JUNCTION BOX
 - XX-X LUMINAIRE ID
 - LUMINAIRE NUMBER
 - CIRCUIT LETTER
 - SERVICE NUMBER

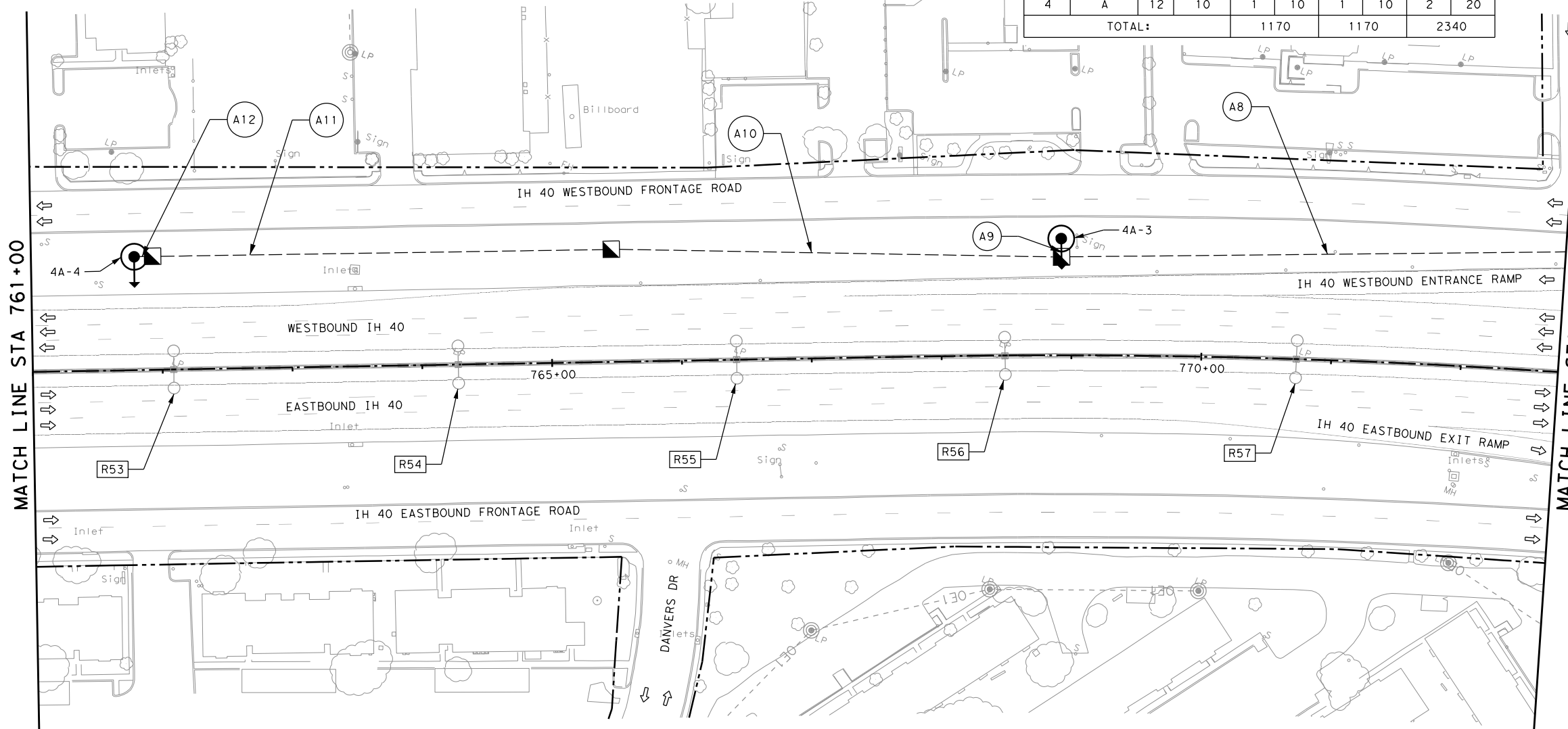
NO.	DATE	REVISION	APPROVED



ILLUMINATION LAYOUT
STA 761+00 TO STA 772+75

SHEET 10 OF 67

FED. RD. DIV. NO.	FEDERAL AID PROJECT NO.	HIGHWAY NO.
6	SEE TITLE SHEET	IH 40
STATE	DIST.	COUNTY
TEXAS	AMA	POTTER
CONT.	SECT.	JOB
0275	01	244



- GENERAL NOTES:**
- MATCH LINE AND ANNOTATION STATIONING IS BASED OFF IH 40.
 - ASSUMED N VALUE = 5 BLOWS/FT.
 - DISPOSE OF REPLACED LUMINAIRES PROPERLY.
 - ALL EXISTING WIRING AND CONDUIT IN BARRIER TO REMAIN AFTER EXISTING ILLUMINATION IS REMOVED.

SUMMARY OF QUANTITIES				
ITEM	QUANTITY	UNIT	QUANTITY	
0416 6026	DRILL SHAFT (HIGH MAST POLE) (60 IN)	LF	92	
0432 6001	RIPRAP (CONC) (4 IN)	CY	6	
0610 6008	REMOVE RD IL ASM (CTB MOUNT)	EA	5	
0613 6006	HI MST IL POLE (150 FT) (100 MPH)	EA	2	
0618 6046	COND (PVC) (SCH 80) (2")	LF	1170	
0620 6009	ELEC CONDR (NO. 6) BARE	LF	1170	
0620 6010	ELEC CONDR (NO. 6) INSULATED	LF	2340	
0624 6002	GROUND BOX TY A (122311) W/APRON	EA	3	
6156 6002	LED HI MST IL ASM (6 FIXT) (ASYM) (TY A)	EA	2	

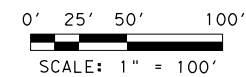
PLOTDRIVER: BW_HALF_PDF.plt
PENTABLE: IH40_SWAI_penttable.tbl

USER: T_Cowser
FILE: K:\01509\01509-002\7-10\TXDOT\AMA PS&E_IH_40\TRAFFIC\SWAI\SHTXX_SWAI_ILLUM_11.dgn

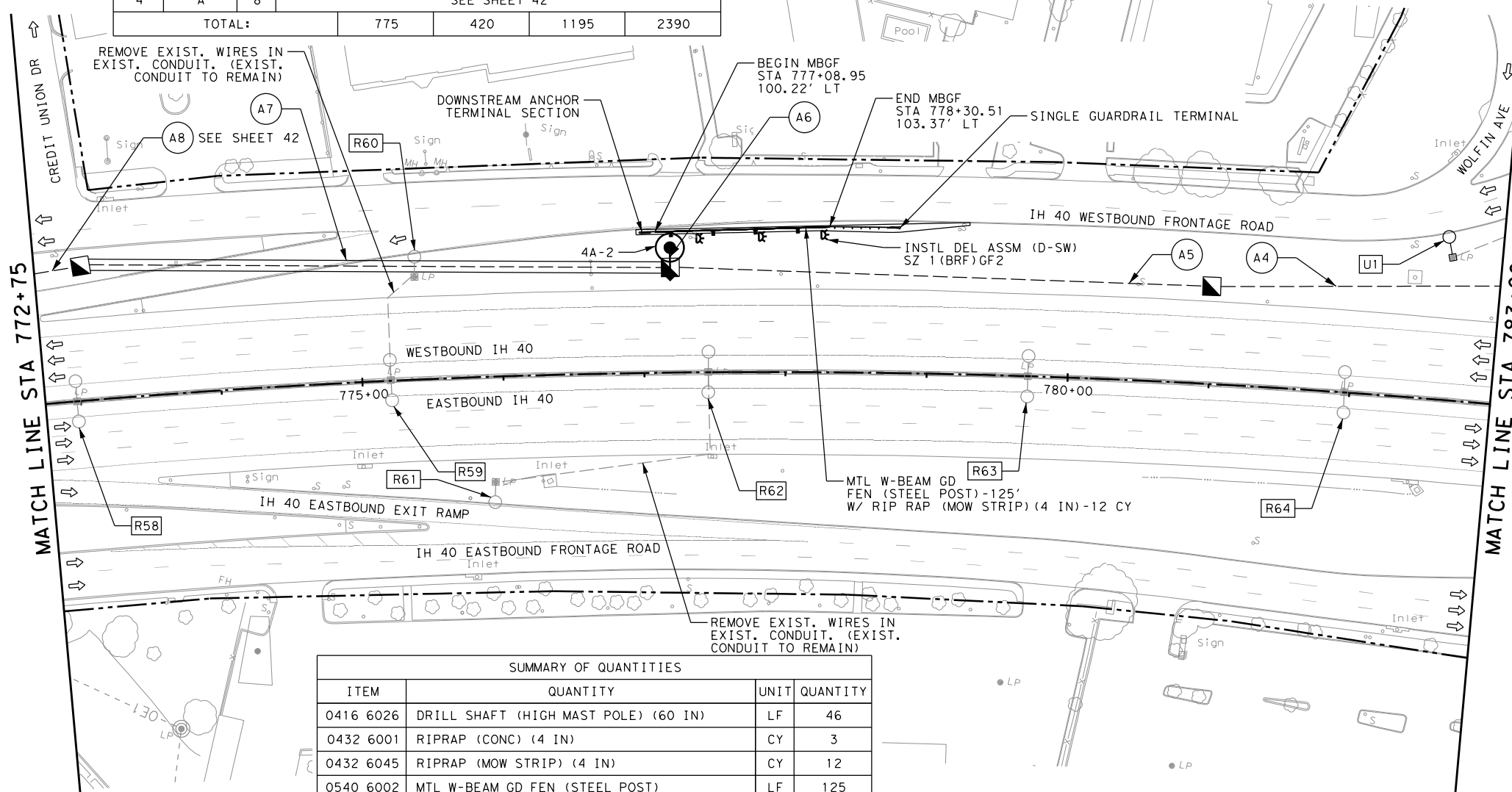
DATE: 2/7/2024 9:47:22 AM
FILE: K:\01509\01509-002\7-10\TXDOT\AMA PS&E_IH_40\TRAFFIC\SWAI\SHTXX_SWAI_ILLUM_11.dgn

SCHEDULE OF CONDUIT AND CONDUCTORS											
ELEC. SERV. #	CIRCUIT LETTER	RUN NO.	LENGTH	CONDUIT (NO & LENGTH IN FEET)				CONDUCTOR (NO & LENGTH IN FEET)			
				618 6046		618 6047		620 6009		620 6010	
				2" PVC (TRENCH)		2" PVC (BORED)		#6 AWG (BARE)		#6 AWG (INSULATED)	
EA	LF	EA	LF	EA	LF	EA	LF	EA	LF		
4	A	4	380	1	380			1	380	2	760
4	A	5	385	1	385			1	385	2	770
4	A	6	10	1	10			1	10	2	20
4	A	7	420			1	420	1	420	2	840
4	A	8									
TOTAL:				775	420	1195	2390				

SCHEDULE OF ILLUMINATION POLE ASSEMBLIES						
POLE NO.	DESCRIPTION	CENTERLINE	STATION	OFFSET	60" DRILL SHAFT (LF)	4" CONC RIPRAP (CY)
4A-2	LED HI MST IL ASM (6 FIXT) (ASYM) (TY A) - (150T)	IH 40	777+19.06	88.66 LT	46	3



- LEGEND:**
- APPROX. ROW
 - EXIST. STANDARD ILLUM.
 - EXIST. DBL. STAN. ILLUM.
 - △ EXIST. UNDERPASS ILLUM.
 - R1 ○ EXIST. ILLUM. POLES TO BE REMOVED
 - U1 ○ EXIST. ILLUM. POLES TO BE UPGRADED TO LED FIXTURES
 - EXIST. CONDUIT
 - XX-X ○ PROP. HIGH MAST ILLUM. (6-LED ASYM FIXTURE)
 - PROP. ELECTRIC SERVICE POINT
 - PROP. TYPE A GROUND BOX WITH APRON
 - ⊠ PROP. TYPE C GROUND BOX WITH APRON
 - PROP. ELECTRICAL CONDUIT BORED
 - PROP. ELECTRICAL CONDUIT RIGID METAL
 - XX-X → PROP. UNDERPASS LIGHT FIX. (150' W. EQ LED) (TY 1)
 - ⊠ PROP. DISCONNECT SWITCH
 - ⊠ PROP. JUNCTION BOX
 - XX-X LUMINAIRE ID
 - LUMINAIRE NUMBER
 - CIRCUIT LETTER
 - SERVICE NUMBER



SUMMARY OF QUANTITIES			
ITEM	QUANTITY	UNIT	QUANTITY
0416 6026	DRILL SHAFT (HIGH MAST POLE) (60 IN)	LF	46
0432 6001	RIPRAP (CONC) (4 IN)	CY	3
0432 6045	RIPRAP (MOW STRIP) (4 IN)	CY	12
0540 6002	MTL W-BEAM GD FEN (STEEL POST)	LF	125
0540 6016	DOWNSTREAM ANCHOR TERMINAL SECTION	EA	1
0544 6001	GUARDRAIL END TREATMENT (INSTALL)	EA	1
0610 6008	REMOVE RD IL ASM (CTB MOUNT)	EA	5
0610 6009	REMOVE RD IL ASM (TRANS-BASE)	EA	2
0610 6102	REPLACE LUMINAIRE W/LED (250W EQ)	EA	1
0613 6006	HI MST IL POLE (150 FT) (100 MPH)	EA	1
0618 6046	CONDT (PVC) (SCH 80) (2")	LF	775
0618 6047	CONDT (PVC) (SCH 80) (2") (BORED)	LF	420
0620 6009	ELEC CONDR (NO. 6) BARE	LF	1195
0620 6010	ELEC CONDR (NO. 6) INSULATED	LF	2390
0624 6002	GROUND BOX TY A (122311) W/APRON	EA	3
0658 6061	INSTL DEL ASSM (D-SW) SZ 1 (BRF) GF2	EA	3
0690 6009	REMOVAL OF CABLES	LF	310
6156 6002	LED HI MST IL ASM (6 FIXT) (ASYM) (TY A)	EA	1

- GENERAL NOTES:**
- MATCH LINE AND ANNOTATION STATIONING IS BASED OFF I-40.
 - ASSUMED N VALUE = 5 BLOWS/FT.
 - DISPOSE OF REPLACED LUMINAIRES PROPERLY.
 - ALL EXISTING WIRING AND CONDUIT IN BARRIER TO REMAIN AFTER EXISTING ILLUMINATION IS REMOVED.
 - THE QUANTITY FOR BID ITEM, 0690 6009 REMOVAL OF CABLES, IS DETERMINED BY THE LENGTH OF THE RUN. NO ADDITIONAL PAYMENT WILL BE MADE FOR REMOVAL OF MULTIPLE CABLES WITHIN A SINGLE RUN OF CONDUIT.

NO.	DATE	REVISION	APPROVED



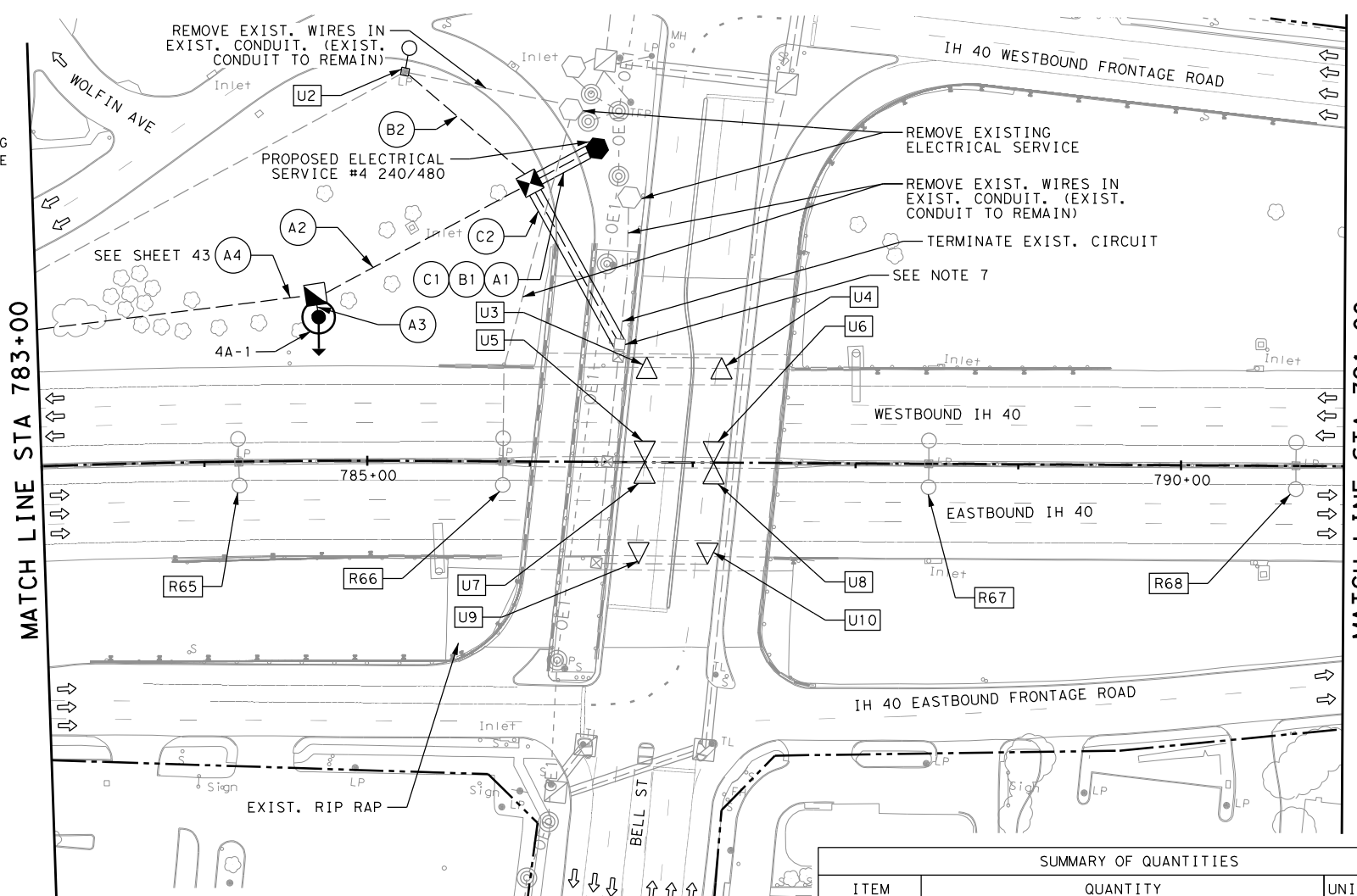
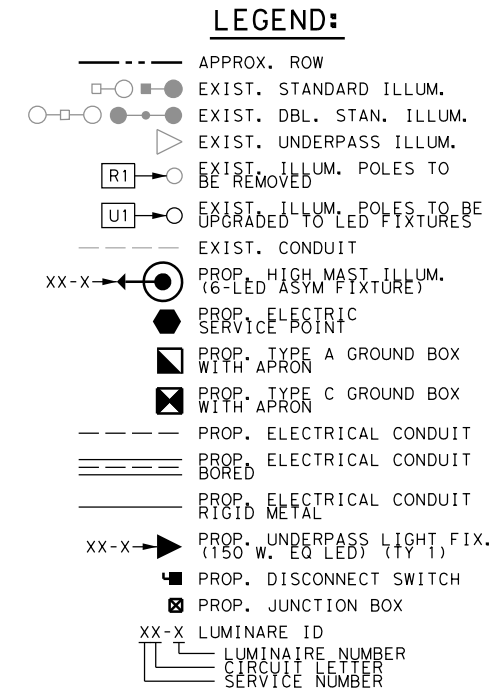
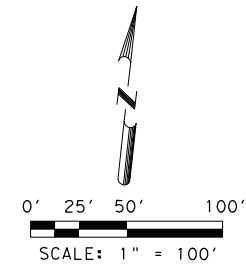
ILLUMINATION LAYOUT			
STA 772+75 TO STA 783+00			
SHEET 11 OF 67			
FED. RD. DIV. NO.	FEDERAL AID PROJECT NO.	HIGHWAY NO.	
6	SEE TITLE SHEET	IH 40	
STATE	DIST.	COUNTY	SHEET NO.
TEXAS	AMA	POTTER	
CONT.	SECT.	JOB	43
0275	01	244	

DATE: 2/7/2024 9:47:23 AM
 USER: T_Cowser
 FILE: K:\01509\01509-002\7-10 TXDOT AMA PS&E IH 40 TRAFFIC SWA1\Sheets\P1_SHTXX_SWA1_ILLUM_12.dgn
 PLOT DRIVER: BW_HALF_PDF.plt
 PENTABLE: IH40_SWA1_pentTable.tbl

GENERAL NOTES:

- MATCH LINE AND ANNOTATION STATIONING IS BASED OFF IH 40.
- ASSUMED N VALUE = 5 BLOWS/FT.
- DISPOSE OF REPLACED LUMINAIRES PROPERLY.
- EXISTING UNDERPASS LIGHTING TO BE UPGRADED TO LED FIXTURES THIS SHEET.
- ALL EXISTING WIRING AND CONDUIT IN BARRIER TO REMAIN AFTER EXISTING ILLUMINATION IS REMOVED.
- THE QUANTITY FOR BID ITEM, 0690 6009 REMOVAL OF CABLES, IS DETERMINED BY THE LENGTH OF THE RUN. NO ADDITIONAL PAYMENT WILL BE MADE FOR REMOVAL OF MULTIPLE CABLES WITHIN A SINGLE RUN OF CONDUIT.
- RECONNECT EXISTING UNDERPASS LIGHTING CIRCUIT TO PROPOSED ELECTRICAL SERVICE #4. UNDERPASS LIGHTING WILL CONNECT TO PROPOSED CIRCUIT C.

SCHEDULE OF ILLUMINATION POLE ASSEMBLIES						
POLE NO.	DESCRIPTION	CENTERLINE	STATION	OFFSET	60" DRILL SHAFT (LF)	4" CONC RIPRAP (CY)
4A-1	LED HI MST IL ASM (6 FIXT) (ASYM) (TY A) - (150T)	IH 40	784+70.61	88.34 LT	46	3



SCHEDULE OF CONDUIT AND CONDUCTORS															
ELEC. SERV. #	CIRCUIT LETTER	RUN NO.	LENGTH	CONDUIT (NO & LENGTH IN FEET)				CONDUCTOR (NO & LENGTH IN FEET)							
				618 6046		618 6047		620 6007		620 6008		620 6009		620 6010	
				2" PVC (TRENCH)	2" PVC (BORED)	#8 AWG (BARE)	#8 AWG (INSULATED)	#6 AWG (BARE)	#6 AWG (INSULATED)	EA	LF	EA	LF	EA	LF
4	A	1	50		1							1	50	2	100
4	A	2	150	1	150							1	150	2	300
4	A	3	10	1	10							1	10	2	20
4	A	4		SEE SHEET 43											
4	B	1	50		1	50	1	50	2	100					
4	B	2	105	1	105			1	105	2	210				
4	C	1	50		1	50	1	50	2	100					
4	C	2	115		1	115	1	115	2	230					
TOTAL:				265	265	320	640	210	420						

SUMMARY OF QUANTITIES				
ITEM	QUANTITY	UNIT	QUANTITY	
0416 6026	DRILL SHAFT (HIGH MAST POLE) (60 IN)	LF	46	
0432 6001	RIPRAP (CONC) (4 IN)	CY	3	
0610 6008	REMOVE RD IL ASM (CTB MOUNT)	EA	4	
0610 6101	REPLACE LUMINAIRE W/LED (150W EQ)	EA	8	
0610 6102	REPLACE LUMINAIRE W/LED (250W EQ)	EA	1	
0613 6006	HI MST IL POLE (150 FT) (100 MPH)	EA	1	
0618 6046	COND (PVC) (SCH 80) (2")	LF	265	
0618 6047	COND (PVC) (SCH 80) (2") (BORE)	LF	265	
0620 6007	ELEC CONDR (NO. 8) BARE	LF	320	
0620 6008	ELEC CONDR (NO. 8) INSULATED	LF	640	
0620 6009	ELEC CONDR (NO. 6) BARE	LF	210	
0620 6010	ELEC CONDR (NO. 6) INSULATED	LF	420	
0624 6002	GROUND BOX TY A (122311) W/APRON	EA	1	
0624 6008	GROUND BOX TY C (162911) W/APRON	EA	1	
0628 6002	REMOVE ELECTRICAL SERVICES	EA	2	
0628 6045	ELC SRV TY A 240/480 060(NS) SS(E) SP(O)	EA	1	
0690 6009	REMOVAL OF CABLES	LF	450	
6156 6002	LED HI MST IL ASM (6 FIXT) (ASYM) (TY A)	EA	1	

NO.	DATE	REVISION	APPROVED



ILLUMINATION LAYOUT
STA 783+00 TO STA 791+00

SHEET 12 OF 67

FED. RD. DIV. NO.	FEDERAL AID PROJECT NO.	HIGHWAY NO.
6	SEE TITLE SHEET	IH 40
STATE	DIST.	COUNTY
TEXAS	AMA	POTTER
CONT.	SECT.	JOB
0275	01	244

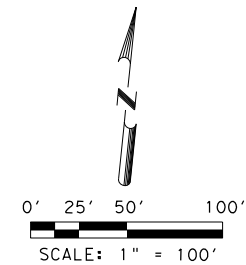
44

PLOTDRIVER: BW_HALF_PDF.plt
 PENTABLE: IH40_SWAI_penttable.tbl

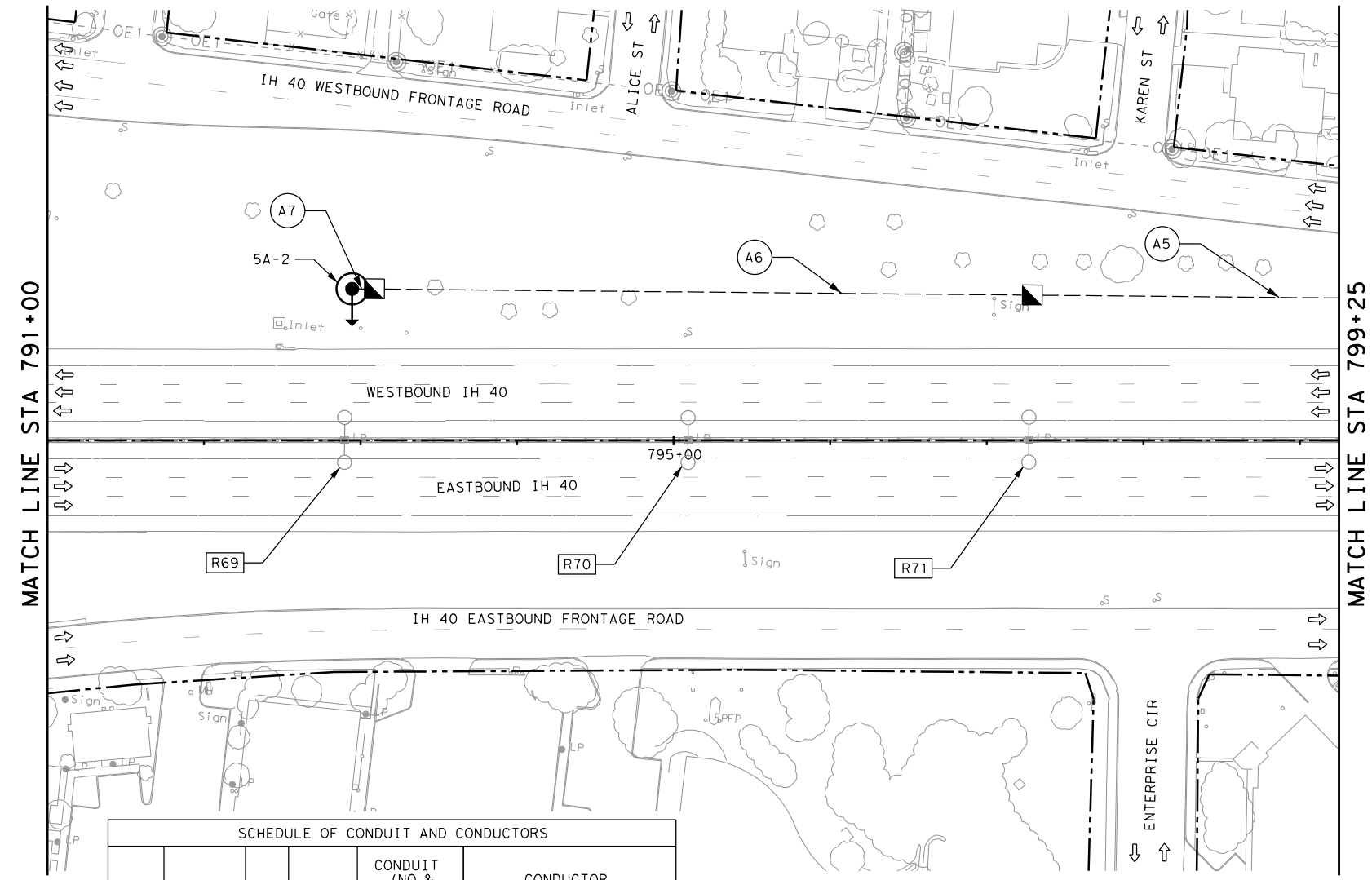
USER: T_Cowser
 FILE: K:\01509\01509-002\7-10\TXDOT\AMA PS&E_IH_40\TRAFFIC\SWAI_SHTXX_SWAI_ILLUM_13.dgn

DATE: 2/7/2024 9:47:24 AM
 FILE: K:\01509\01509-002\7-10\TXDOT\AMA PS&E_IH_40\TRAFFIC\SWAI_SHTXX_SWAI_ILLUM_13.dgn

SCHEDULE OF ILLUMINATION POLE ASSEMBLIES						
POLE NO.	DESCRIPTION	CENTERLINE	STATION	OFFSET	60" DRILL SHAFT (LF)	4" CONC RIPRAP (CY)
5A-2	LED HI MST IL ASM (6 FIXT) (ASYM) (TY A) - (150T)	IH 40	792+94.65	96.82 LT	46	3



- LEGEND:**
- APPROX. ROW
 - EXIST. STANDARD ILLUM.
 - EXIST. DBL. STAN. ILLUM.
 - EXIST. UNDERPASS ILLUM.
 - [R1] ○ EXIST. ILLUM. POLES TO BE REMOVED
 - [U1] ○ EXIST. ILLUM. POLES TO BE UPGRADED TO LED FIXTURES
 - EXIST. CONDUIT
 - XX-X ○ PRO. HIGH MAST ILLUM. (6-LED ASYM FIXTURE)
 - PRO. ELECTRIC SERVICE POINT
 - PRO. TYPE A GROUND BOX WITH APRON
 - PRO. TYPE C GROUND BOX WITH APRON
 - PRO. ELECTRICAL CONDUIT BORED
 - PRO. ELECTRICAL CONDUIT RIGID METAL
 - XX-X → PRO. UNDERPASS LIGHT FIX. (150 W. EQ LED) (TY 1)
 - PRO. DISCONNECT SWITCH
 - PRO. JUNCTION BOX
 - XX-X LUMINAIRE ID
 - LUMINAIRE NUMBER
 - CIRCUIT LETTER
 - SERVICE NUMBER



SCHEDULE OF CONDUIT AND CONDUCTORS									
ELEC. SERV. #	CIRCUIT LETTER	RUN NO.	LENGTH	CONDUIT (NO & LENGTH IN FEET)		CONDUCTOR (NO & LENGTH IN FEET)			
				2" PVC (TRENCH)		#8 AWG (BARE)		#8 AWG (INSULATED)	
				EA	LF	EA	LF	EA	LF
5	A	5	440	1	440	1	440	2	880
5	A	6	435	1	435	1	435	2	870
5	A	7	10	1	10	1	10	2	20
TOTAL:					885		885		1770

SUMMARY OF QUANTITIES			
ITEM	QUANTITY	UNIT	QUANTITY
0416 6026	DRILL SHAFT (HIGH MAST POLE) (60 IN)	LF	46
0432 6001	RIPRAP (CONC) (4 IN)	CY	3
0610 6008	REMOVE RD IL ASM (CTB MOUNT)	EA	3
0613 6006	HI MST IL POLE (150 FT) (100 MPH)	EA	1
0618 6046	COND (PVC) (SCH 80) (2")	LF	885
0620 6007	ELEC CONDR (NO. 8) BARE	LF	885
0620 6008	ELEC CONDR (NO. 8) INSULATED	LF	1770
0624 6002	GROUND BOX TY A (122311) W/APRON	EA	2
6156 6002	LED HI MST IL ASM (6 FIXT) (ASYM) (TY A)	EA	1

- GENERAL NOTES:**
- MATCH LINE AND ANNOTATION STATIONING IS BASED OFF IH 40.
 - ASSUMED N VALUE = 5 BLOWS/FT.
 - DISPOSE OF REPLACED LUMINAIRES PROPERLY.
 - ALL EXISTING WIRING AND CONDUIT IN BARRIER TO REMAIN AFTER EXISTING ILLUMINATION IS REMOVED.

NO.	DATE	REVISION	APPROVED



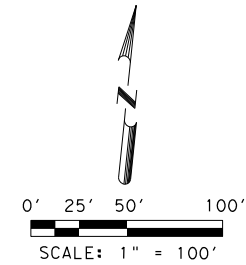
ILLUMINATION LAYOUT STA 791+00 TO STA 799+25			
SHEET 13 OF 67			
FED. RD. DIV. NO.	FEDERAL AID PROJECT NO.	HIGHWAY NO.	
6	SEE TITLE SHEET	IH 40	
STATE	DIST.	COUNTY	SHEET NO.
TEXAS	AMA	POTTER	45
CONT.	SECT.	JOB	
0275	01	244	

PLOTDRIVER: BW_HALF_PDF.plt
PENTABLE: IH40_SWAI_pentTable.tbl

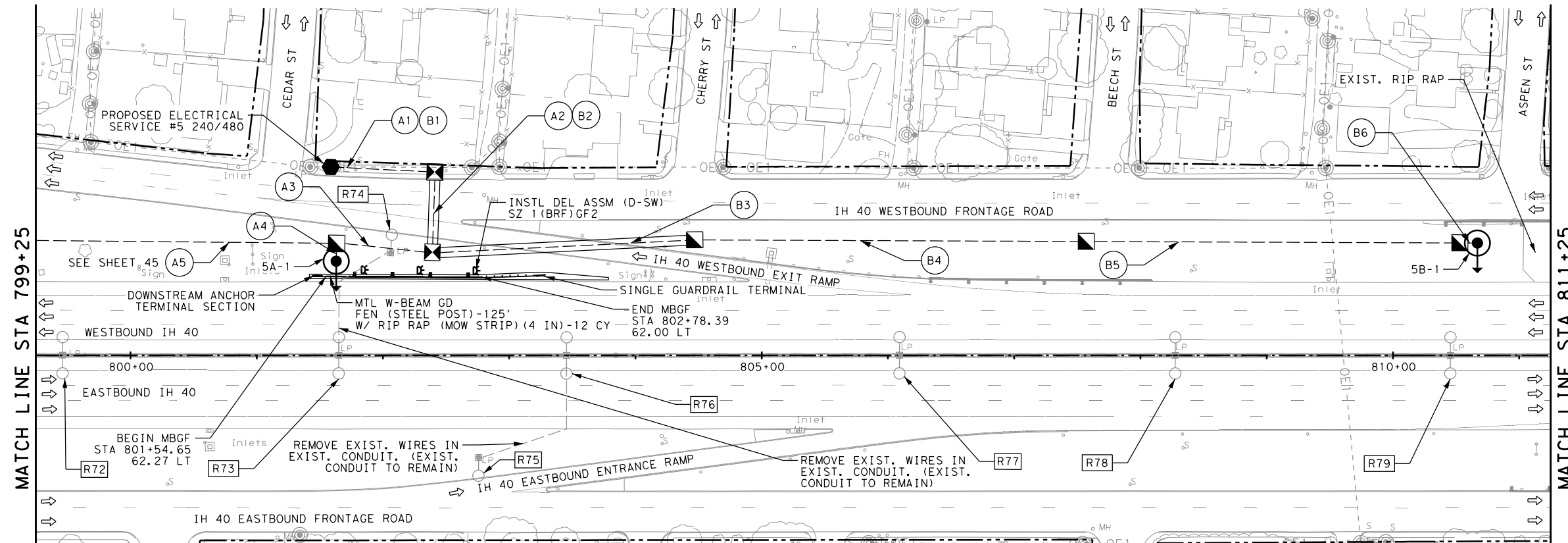
USER: T_Cowser
FILE: K:\01509\01509-0027-10\TXDOT\AMA_PS&E_IH_40\TRAFFIC\SWAI\SHTXX_SWAI_ILLUM_14.dgn

DATE: 2/7/2024 9:47:25 AM
FILE: K:\01509\01509-0027-10\TXDOT\AMA_PS&E_IH_40\TRAFFIC\SWAI\SHTXX_SWAI_ILLUM_14.dgn

SCHEDULE OF ILLUMINATION POLE ASSEMBLIES						
POLE NO.	DESCRIPTION	CENTERLINE	STATION	OFFSET	60" DRILL SHAFT (LF)	4" CONC RIPRAP (CY)
5A-1	LED HI MST IL ASM (6 FIXT) (ASYM) (TY A) (SHLD) - (150T)	IH 40	801+62.97	74.59 LT	46	3
5B-1	LED HI MST IL ASM (6 FIXT) (ASYM) (TY A) (SHLD) - (150T)	IH 40	810+66.92	88.95 LT	46	3
TOTAL:					92	6



- LEGEND:**
- APPROX. ROW
 - EXIST. STANDARD ILLUM.
 - EXIST. DBL. STAN. ILLUM.
 - EXIST. UNDERPASS ILLUM.
 - [R1] ○ EXIST. ILLUM. POLES TO BE REMOVED
 - [U1] ○ EXIST. ILLUM. POLES TO BE UPGRADED TO LED FIXTURES
 - EXIST. CONDUIT
 - XX-X ○ PROP. HIGH MAST ILLUM. (6-LED ASYM FIXTURE)
 - PROP. ELECTRIC SERVICE POINT
 - PROP. TYPE A GROUND BOX WITH APRON
 - PROP. TYPE C GROUND BOX WITH APRON
 - PROP. ELECTRICAL CONDUIT
 - PROP. BORED ELECTRICAL CONDUIT
 - PROP. ELECTRICAL CONDUIT RIGID METAL
 - XX-X ○ PROP. UNDERPASS LIGHT FIX. (150' W. EQ LED) (TY 1)
 - PROP. DISCONNECT SWITCH
 - PROP. JUNCTION BOX
 - XX-X LUMINAIRE ID
 - LUMINAIRE NUMBER
 - CIRCUIT LETTER
 - SERVICE NUMBER

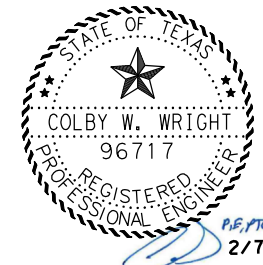


SCHEDULE OF CONDUIT AND CONDUCTORS											
ELEC. SERV. #	CIRCUIT LETTER	RUN NO.	LENGTH	CONDUIT (NO & LENGTH IN FEET)				CONDUCTOR (NO & LENGTH IN FEET)			
				2" PVC (TRENCH)		2" PVC (BORED)		#8 AWG (BARE)		#8 AWG (INSULATED)	
				EA	LF	EA	LF	EA	LF	EA	LF
5	A	1	85	1	85			1	85	2	170
5	A	2	65			1	65	1	65	2	130
5	A	3	80	1	80			1	80	2	160
5	A	4	10	1	10			1	10	2	20
5	A	5	SEE SHEET 45								
5	B	1	85	1	85			1	85	2	170
5	B	2	65			1	65	1	65	2	130
5	B	3	210			1	210	1	210	2	420
5	B	4	310	1	310			1	310	2	620
5	B	5	300	1	300			1	300	2	600
5	B	6	10	1	10			1	10	2	20
TOTAL:				880	340	1220	2440				

SUMMARY OF QUANTITIES			
ITEM	QUANTITY	UNIT	QUANTITY
0416 6026	DRILL SHAFT (HIGH MAST POLE) (60 IN)	LF	92
0432 6001	RIPRAP (CONC) (4 IN)	CY	6
0432 6045	RIPRAP (MOW STRIP) (4 IN)	CY	12
0540 6002	MTL W-BEAM GD FEN (STEEL POST)	LF	125
0540 6016	DOWNSTREAM ANCHOR TERMINAL SECTION	EA	1
0544 6001	GUARDRAIL END TREATMENT (INSTALL)	EA	1
0610 6008	REMOVE RD IL ASM (CTB MOUNT)	EA	6
0610 6009	REMOVE RD IL ASM (TRANS-BASE)	EA	2
0613 6006	HI MST IL POLE (150 FT) (100 MPH)	EA	2
0618 6046	CONDT (PVC) (SCH 80) (2")	LF	880
0618 6047	CONDT (PVC) (SCH 80) (2") (BORE)	LF	340
0620 6007	ELEC CONDR (NO. 8) BARE	LF	1220
0620 6008	ELEC CONDR (NO. 8) INSULATED	LF	2440
0624 6002	GROUND BOX TY A (122311) W/APRON	EA	4
0624 6008	GROUND BOX TY C (162911) W/APRON	EA	2
0628 6045	ELC SRV TY A 240/480 060(NS)SS(E)SP(O)	EA	1
0658 6061	INSTL DEL ASSM (D-SW) SZ 1 (BRF) GF2	EA	3
0690 6009	REMOVAL OF CABLES	LF	255
6156 6009	LED HI MST IL AM (6 FIXT) ASYM (TY A) SHLD	EA	2

- GENERAL NOTES:**
- MATCH LINE AND ANNOTATION STATIONING IS BASED OFF IH 40.
 - ASSUMED N VALUE = 5 BLOWS/FT.
 - DISPOSE OF REPLACED LUMINAIRES PROPERLY.
 - ALL EXISTING WIRING AND CONDUIT IN BARRIER TO REMAIN AFTER EXISTING ILLUMINATION IS REMOVED.
 - THE QUANTITY FOR BID ITEM, 0690 6009 REMOVAL OF CABLES, IS DETERMINED BY THE LENGTH OF THE RUN. NO ADDITIONAL PAYMENT WILL BE MADE FOR REMOVAL OF MULTIPLE CABLES WITHIN A SINGLE RUN OF CONDUIT.

NO.	DATE	REVISION	APPROVED



ILLUMINATION LAYOUT
STA 799+25 TO STA 811+25

SHEET 14 OF 67

FED. RD. DIV. NO.	FEDERAL AID PROJECT NO.	HIGHWAY NO.
6	SEE TITLE SHEET	IH 40
STATE	DIST.	COUNTY
TEXAS	AMA	POTTER
CONT.	SECT.	JOB
0275	01	244

46

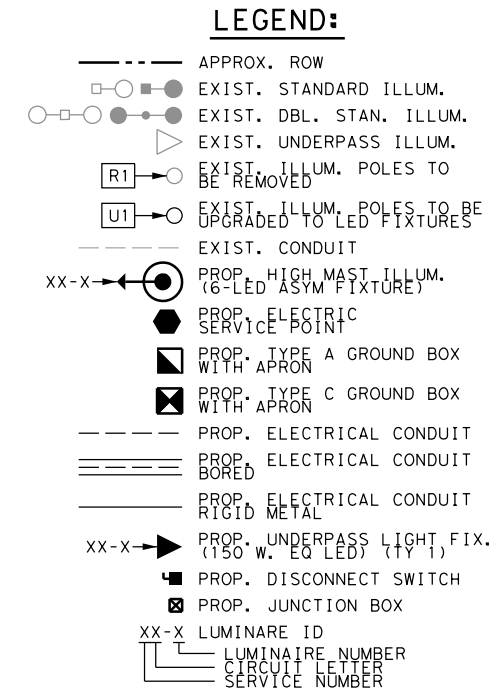
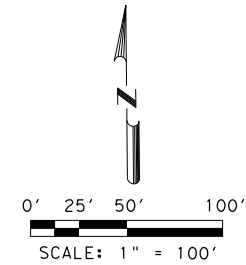
PLOTDRIVER: BW_HALF_PDF.plt
 PENTABLE: IH40_SWAI_pentTable.tbl

USER: T_Cowser
 FILE: K:\01509\01509-002\7-10\TRAFFIC\SWAI\Shts\SWAI_SHTXX_SWAI_ILLUM_18.dgn

DATE: 2/7/2024 9:47:28 AM
 FILE: K:\01509\01509-002\7-10\TRAFFIC\SWAI\Shts\SWAI_SHTXX_SWAI_ILLUM_18.dgn

SCHEDULE OF CONDUIT AND CONDUCTORS											
ELEC. SERV. #	CIRCUIT LETTER	RUN NO.	LENGTH	CONDUIT (NO & LENGTH IN FEET)				CONDUCTOR (NO & LENGTH IN FEET)			
				618 6046		618 6047		620 6007		620 6008	
				2" PVC (TRENCH)		2" PVC (BORED)		#8 AWG (BARE)		#8 AWG (INSULATED)	
				EA	LF	EA	LF	EA	LF	EA	LF
8	A	1	25	1	25			1	25	2	50
8	A	2	55			1	55	1	55	2	110
8	A	3	415			1	415	1	415	2	830
8	A	4	385	1	385			1	385	2	770
8	A	5	10	1	10			1	10	2	20
8	B	1	25	1	25			1	25	2	50
8	B	2	55			1	55	1	55	2	110
8	B	3	105	1	105			1	105	2	210
TOTAL:				550	525	1075	2150				

SCHEDULE OF ILLUMINATION POLE ASSEMBLIES						
POLE NO.	DESCRIPTION	CENTERLINE	STATION	OFFSET	60" DRILL SHAFT (LF)	4" CONC RIPRAP (CY)
8A-1	LED HI MST IL ASM (6 FIXT) (ASYM) (TY A) - (150T)	IH 40	846+14.94	88.10 LT	46	3



NO.	DATE	REVISION	APPROVED

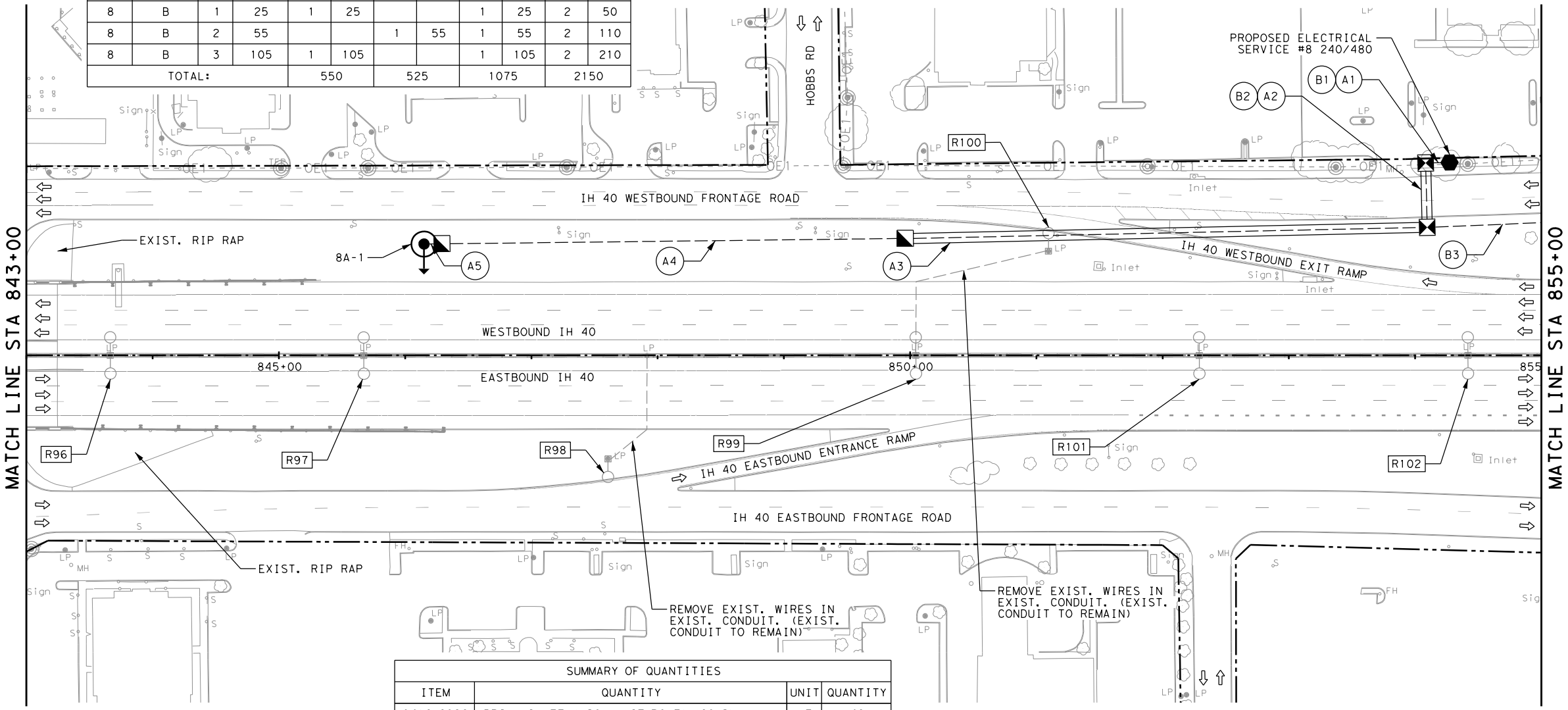
STATE OF TEXAS
 COLBY W. WRIGHT
 96717
 REGISTERED PROFESSIONAL ENGINEER
 P.E. #1851
 2/7/2024



ILLUMINATION LAYOUT
 STA 843+00 TO STA 855+00

FED. RD. DIV. NO.	FEDERAL AID PROJECT NO.	HIGHWAY NO.
6	SEE TITLE SHEET	IH 40
STATE	DIST.	COUNTY
TEXAS	AMA	POTTER
CONT.	SECT.	JOB
0275	01	244

SHEET 18 OF 67
50



SUMMARY OF QUANTITIES			
ITEM	QUANTITY	UNIT	QUANTITY
0416 6026	DRILL SHAFT (HIGH MAST POLE) (60 IN)	LF	46
0432 6001	RIPRAP (CONC) (4 IN)	CY	3
0610 6008	REMOVE RD IL ASM (CTB MOUNT)	EA	5
0610 6009	REMOVE RD IL ASM (TRANS-BASE)	EA	2
0613 6006	HI MST IL POLE (150 FT) (100 MPH)	EA	1
0618 6046	CONDT (PVC) (SCH 80) (2")	LF	550
0618 6047	CONDT (PVC) (SCH 80) (2") (BORE)	LF	525
0620 6007	ELEC CONDR (NO. 8) BARE	LF	1075
0620 6008	ELEC CONDR (NO. 8) INSULATED	LF	2150
0624 6002	GROUND BOX TY A (122311) W/APRON	EA	2
0624 6008	GROUND BOX TY C (162911) W/APRON	EA	2
0628 6045	ELC SRV TY A 240/480 060(NS)SS(E)SP(O)	EA	1
0690 6009	REMOVAL OF CABLES	LF	280
6156 6002	LED HI MST IL ASM (6 FIXT) (ASYM) (TY A)	EA	1

- GENERAL NOTES:**
- MATCH LINE AND ANNOTATION STATIONING IS BASED OFF IH 40.
 - ASSUMED N VALUE = 5 BLOWS/FT.
 - DISPOSE OF REPLACED LUMINAIRES PROPERLY.
 - ALL EXISTING WIRING AND CONDUIT IN BARRIER TO REMAIN AFTER EXISTING ILLUMINATION IS REMOVED.
 - THE QUANTITY FOR BID ITEM, 0690 6009 REMOVAL OF CABLES, IS DETERMINED BY THE LENGTH OF THE RUN. NO ADDITIONAL PAYMENT WILL BE MADE FOR REMOVAL OF MULTIPLE CABLES WITHIN A SINGLE RUN OF CONDUIT.

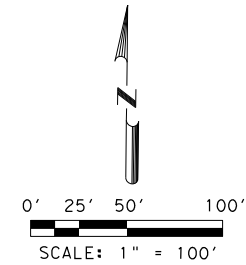
PLOTDRIVER: BW_HALF_PDF.plt
 PENTABLE: IH40_SWAI_pentTable.tbl

USER: T_Cowser
 FILE: K:\01509\01509-002\7-10\TXDOT\AMA\PS&E_IH_40\TRAFFIC\SWAI\Sheets\19.dgn

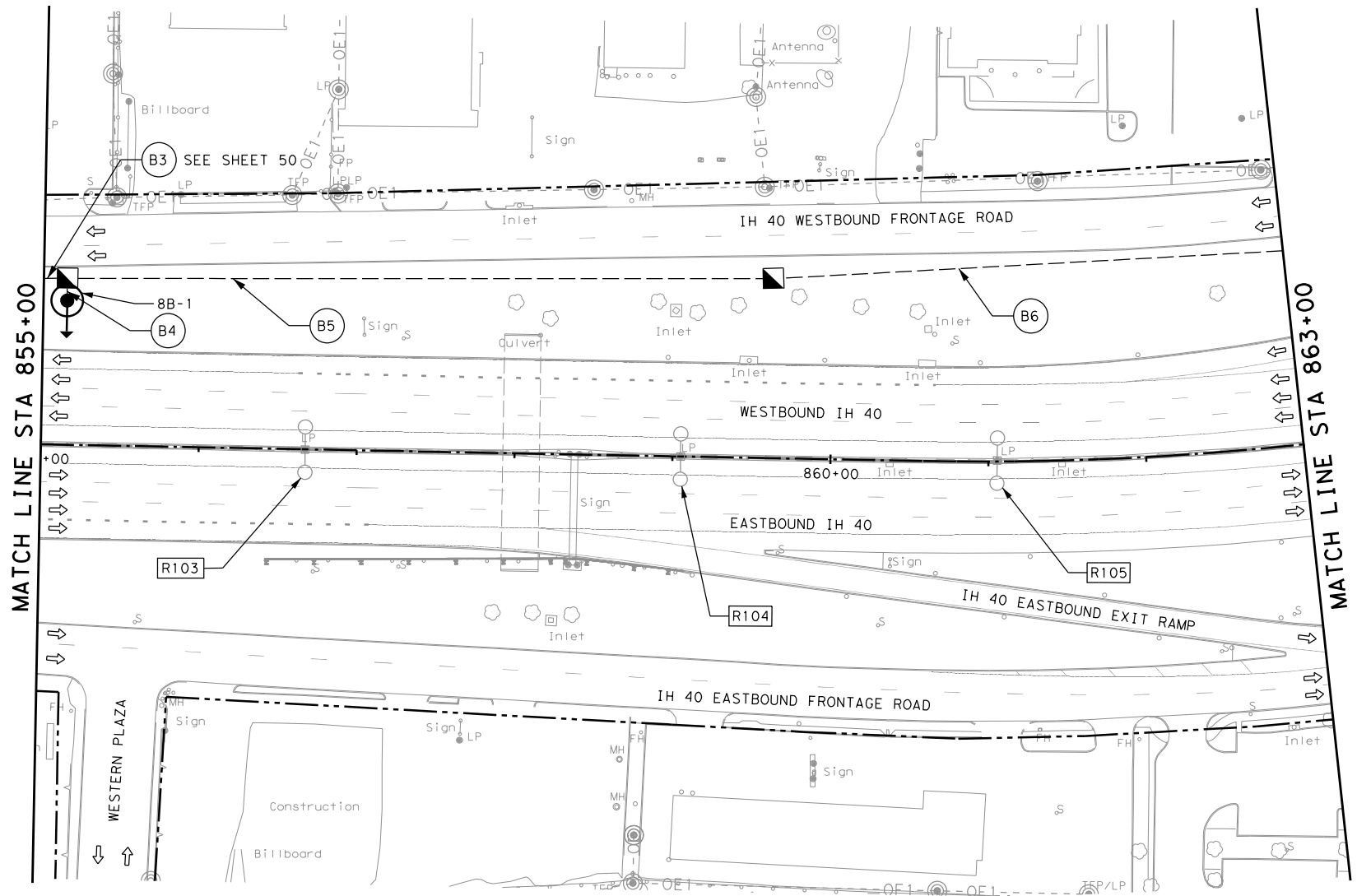
DATE: 2/7/2024 9:47:29 AM
 FILE: K:\01509\01509-002\7-10\TXDOT\AMA\PS&E_IH_40\TRAFFIC\SWAI\Sheets\19.dgn

SCHEDULE OF CONDUIT AND CONDUCTORS									
ELEC. SERV. #	CIRCUIT LETTER	RUN NO.	LENGTH	CONDUIT (NO & LENGTH IN FEET)		CONDUCTOR (NO & LENGTH IN FEET)			
				2" PVC (TRENCH)		#8 AWG (BARE)		#8 AWG (INSULATED)	
				EA	LF	EA	LF	EA	LF
8	B	3		SEE SHEET 50					
8	B	4	10	1	10	1	10	2	20
8	B	5	460	1	460	1	460	2	920
8	B	6	465	1	465	1	465	2	930
TOTAL:				935	935	1870			

SCHEDULE OF ILLUMINATION POLE ASSEMBLIES						
POLE NO.	DESCRIPTION	CENTERLINE	STATION	OFFSET	60" DRILL SHAFT (LF)	4" CONC RIPRAP (CY)
8B-1	LED HI MST IL ASM (6 FIXT) (ASYM) (TY A) - (150T)	IH 40	855+15.05	91.34 LT	46	3



- LEGEND:**
- APPROX. ROW
 - EXIST. STANDARD ILLUM.
 - EXIST. DBL. STAN. ILLUM.
 - △ EXIST. UNDERPASS ILLUM.
 - [R1] ○ EXIST. ILLUM. POLES TO BE REMOVED
 - [U1] ○ EXIST. ILLUM. POLES TO BE UPGRADED TO LED FIXTURES
 - EXIST. CONDUIT
 - XX-X ○ PROP. HIGH MAST ILLUM. (6-LED ASYM FIXTURE)
 - PROP. ELECTRIC SERVICE POINT
 - PROP. TYPE A GROUND BOX WITH APRON
 - ⊠ PROP. TYPE C GROUND BOX WITH APRON
 - PROP. ELECTRICAL CONDUIT BORED
 - === PROP. ELECTRICAL CONDUIT RIGID METAL
 - XX-X → PROP. UNDERPASS LIGHT FIX. (150 W. EQ LED) (TY 1)
 - ⊠ PROP. DISCONNECT SWITCH
 - ⊠ PROP. JUNCTION BOX
 - XX-X LUMINAIRE ID
 - ┌ LUMINAIRE NUMBER
 - ├ CIRCUIT LETTER
 - └ SERVICE NUMBER



SUMMARY OF QUANTITIES			
ITEM	QUANTITY	UNIT	QUANTITY
0416 6026	DRILL SHAFT (HIGH MAST POLE) (60 IN)	LF	46
0432 6001	RIPRAP (CONC) (4 IN)	CY	3
0610 6008	REMOVE RD IL ASM (CTB MOUNT)	EA	3
0613 6006	HI MST IL POLE (150 FT) (100 MPH)	EA	1
0618 6046	COND (PVC) (SCH 80) (2")	LF	935
0620 6007	ELEC CONDR (NO. 8) BARE	LF	935
0620 6008	ELEC CONDR (NO. 8) INSULATED	LF	1870
0624 6002	GROUND BOX TY A (122311) W/APRON	EA	2
6156 6002	LED HI MST IL ASM (6 FIXT) (ASYM) (TY A)	EA	1

- GENERAL NOTES:**
- MATCH LINE AND ANNOTATION STATIONING IS BASED OFF IH 40.
 - ASSUMED N VALUE = 5 BLOWS/FT.
 - DISPOSE OF REPLACED LUMINAIRES PROPERLY.
 - ALL EXISTING WIRING AND CONDUIT IN BARRIER TO REMAIN AFTER EXISTING ILLUMINATION IS REMOVED.

NO.	DATE	REVISION	APPROVED



ILLUMINATION LAYOUT
STA 855+00 TO STA 863+00

SHEET 19 OF 67

FED. RD. DIV. NO.	FEDERAL AID PROJECT NO.	HIGHWAY NO.	
6	SEE TITLE SHEET	IH 40	
STATE	DIST.	COUNTY	SHEET NO.
TEXAS	AMA	POTTER	51
CONT.	SECT.	JOB	
0275	01	244	

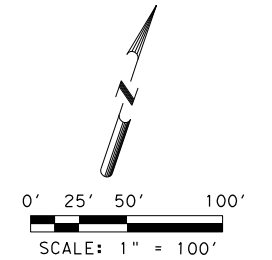
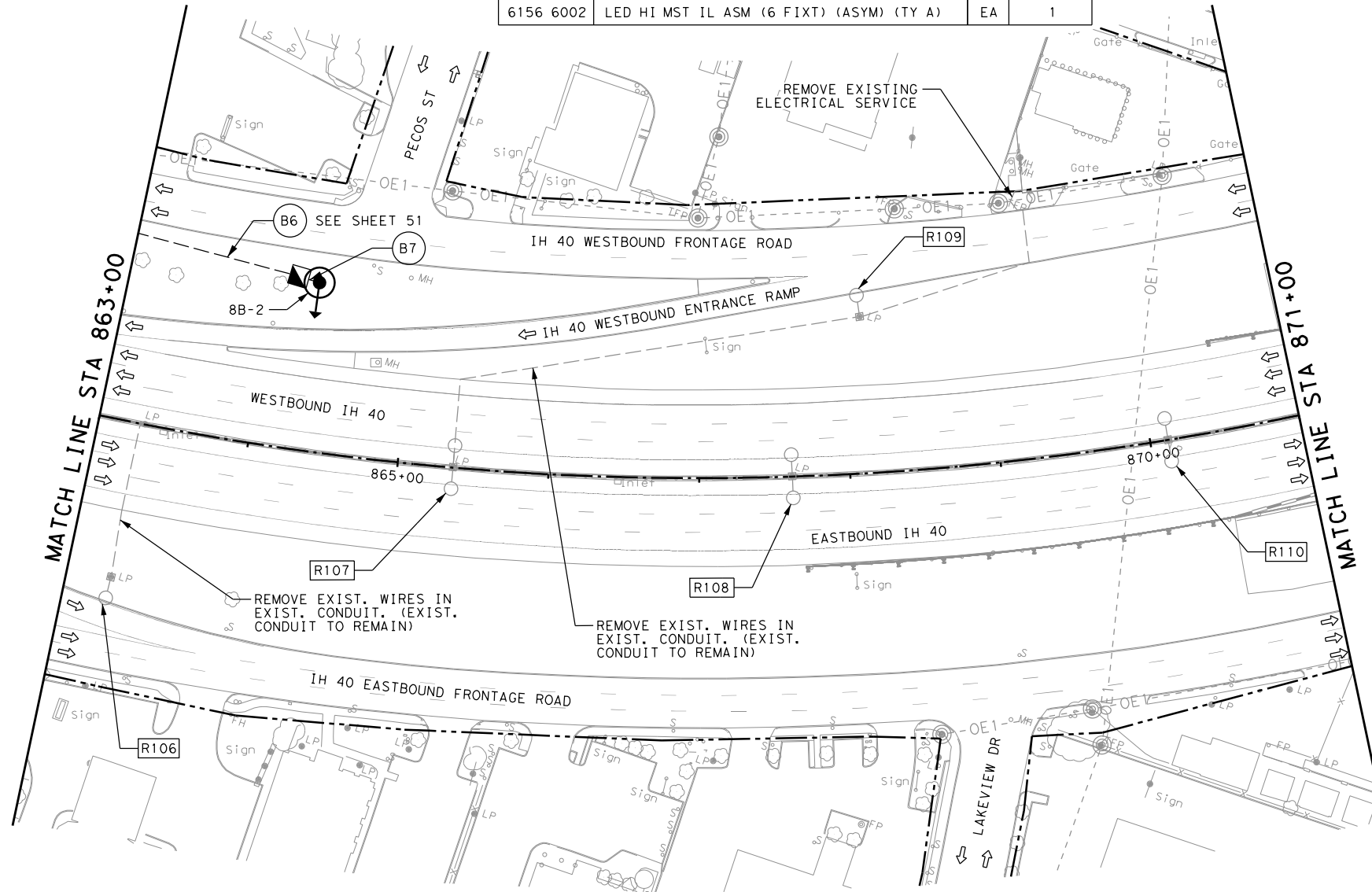
PLOTDRIVER: BW_HALF_PDF.plt
 PENTABLE: IH40_SWAI_penttable.tbl

USER: T_Cowser
 FILE: K:\01509\01509-002\7-10\TXDOT\AMA_PS&E_IH_40\TRAFFIC\SWAI\Sheets\PI_SHTXX_SWAI_ILLUM_20.dgn

DATE: 2/7/2024 9:47:30 AM
 FILE: K:\01509\01509-002\7-10\TXDOT\AMA_PS&E_IH_40\TRAFFIC\SWAI\Sheets\PI_SHTXX_SWAI_ILLUM_20.dgn

SCHEDULE OF CONDUIT AND CONDUCTORS										
ELEC. SERV. #	CIRCUIT LETTER	RUN NO.	LENGTH	CONDUIT (NO & LENGTH IN FEET)		CONDUCTOR (NO & LENGTH IN FEET)				
				2" PVC (TRENCH)		#8 AWG (BARE)		#8 AWG (INSULATED)		
				EA	LF	EA	LF	EA	LF	
8	B	6		SEE SHEET 51						
8	B	7	10	1	10	1	10	2	20	
TOTAL:				10		10		20		

SUMMARY OF QUANTITIES			
ITEM	QUANTITY	UNIT	QUANTITY
0416 6026	DRILL SHAFT (HIGH MAST POLE) (60 IN)	LF	46
0432 6001	RIPRAP (CONC) (4 IN)	CY	3
0610 6008	REMOVE RD IL ASM (CTB MOUNT)	EA	3
0610 6009	REMOVE RD IL ASM (TRANS-BASE)	EA	2
0613 6006	HI MST IL POLE (150 FT) (100 MPH)	EA	1
0618 6046	CONDT (PVC) (SCH 80) (2")	LF	10
0620 6007	ELEC CONDR (NO.8) BARE	LF	10
0620 6008	ELEC CONDR (NO.8) INSULATED	LF	20
0624 6002	GROUND BOX TY A (122311) W/APRON	EA	1
0628 6002	REMOVE ELECTRICAL SERVICES	EA	1
0690 6009	REMOVAL OF CABLES	LF	590
6156 6002	LED HI MST IL ASM (6 FIXT) (ASYM) (TY A)	EA	1



- LEGEND:**
- APPROX. ROW
 - EXIST. STANDARD ILLUM.
 - EXIST. DBL. STAN. ILLUM.
 - △ EXIST. UNDERPASS ILLUM.
 - [R1] ○ EXIST. ILLUM. POLES TO BE REMOVED
 - [U1] ○ EXIST. ILLUM. POLES TO BE UPGRADED TO LED FIXTURES
 - EXIST. CONDUIT
 - XX-X ○ PROP. HIGH MAST ILLUM. (6-LED ASYM FIXTURE)
 - PROP. ELECTRIC SERVICE POINT
 - PROP. TYPE A GROUND BOX WITH APRON
 - ⊠ PROP. TYPE C GROUND BOX WITH APRON
 - PROP. ELECTRICAL CONDUIT
 - === PROP. ELECTRICAL CONDUIT BORED
 - PROP. ELECTRICAL CONDUIT RIGID METAL
 - XX-X → PROP. UNDERPASS LIGHT FIX. (150' W. EQ LED) (TY 1)
 - PROP. DISCONNECT SWITCH
 - ⊠ PROP. JUNCTION BOX
 - XX-X LUMINAIRE ID
 - ┌ LUMINAIRE NUMBER
 - └ CIRCUIT LETTER
 - └ SERVICE NUMBER

NO.	DATE	REVISION	APPROVED

STATE OF TEXAS
 COLBY W. WRIGHT
 96717
 REGISTERED PROFESSIONAL ENGINEER
 P.E. #18531
 2/7/2024



ILLUMINATION LAYOUT
 STA 863+00 TO STA 871+00

FED. RD. DIV. NO.	FEDERAL AID PROJECT NO.	HIGHWAY NO.
6	SEE TITLE SHEET	IH 40
STATE	DIST.	COUNTY
TEXAS	AMA	POTTER
CONT.	SECT.	JOB
0275	01	244

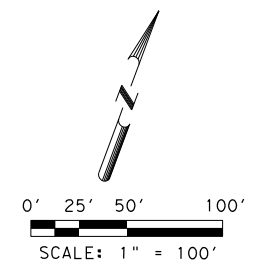
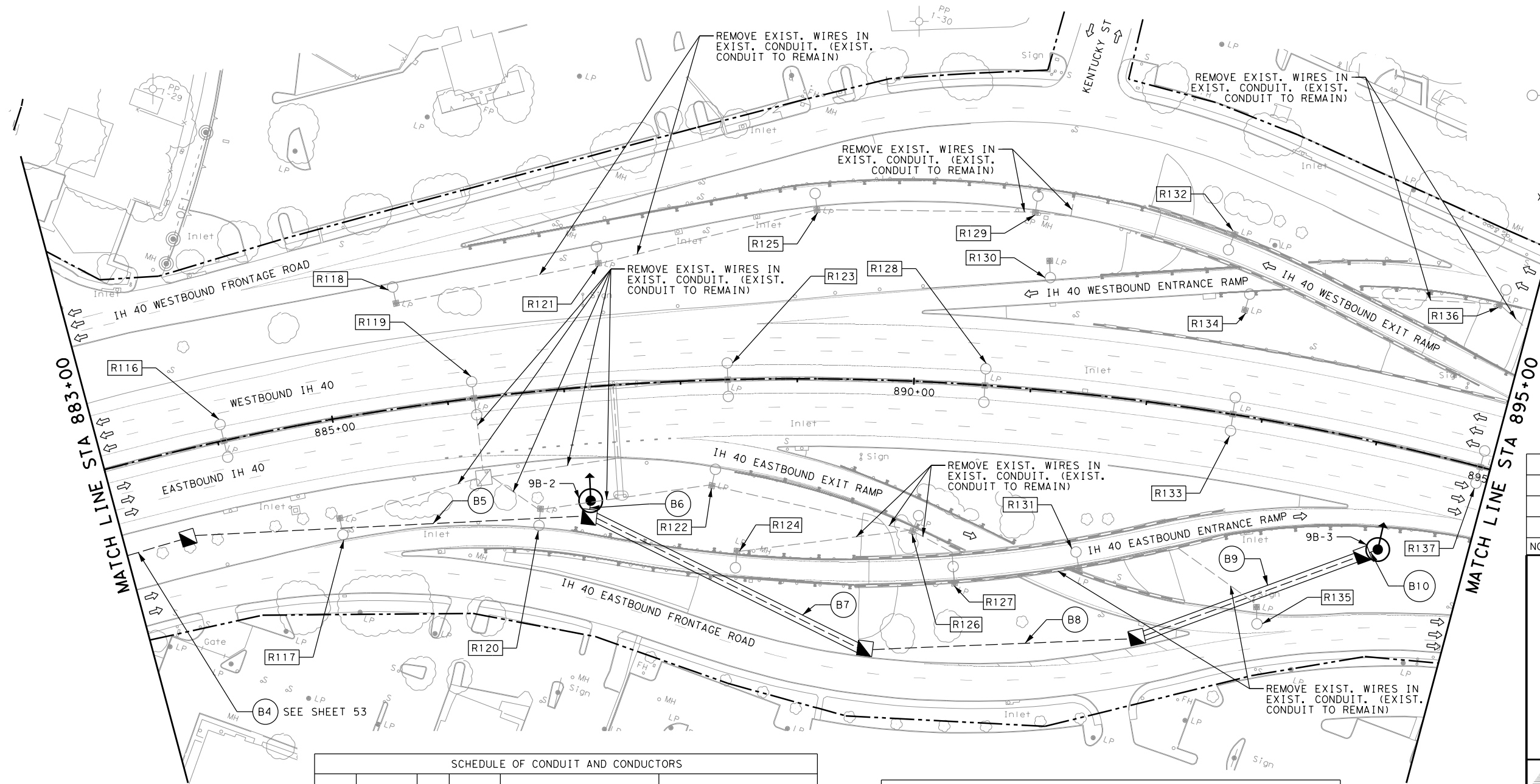
SHEET 20 OF 67

- GENERAL NOTES:**
- MATCH LINE AND ANNOTATION STATIONING IS BASED OFF I-40.
 - ASSUMED N VALUE = 5 BLOWS/FT.
 - DISPOSE OF REPLACED LUMINAIRES PROPERLY.
 - ALL EXISTING WIRING AND CONDUIT IN BARRIER TO REMAIN AFTER EXISTING ILLUMINATION IS REMOVED.
 - THE QUANTITY FOR BID ITEM, 0690 6009 REMOVAL OF CABLES, IS DETERMINED BY THE LENGTH OF THE RUN. NO ADDITIONAL PAYMENT WILL BE MADE FOR REMOVAL OF MULTIPLE CABLES WITHIN A SINGLE RUN OF CONDUIT.

SCHEDULE OF ILLUMINATION POLE ASSEMBLIES						
POLE NO.	DESCRIPTION	CENTERLINE	STATION	OFFSET	60" DRILL SHAFT (LF)	4" CONC RIPRAP (CY)
8B-2	LED HI MST IL ASM (6 FIXT) (ASYM) (TY A) - (150T)	IH 40	864+32.08	111.85 LT	46	3

PLOTDRIVER: BW_HALF_PDF.plt
 PENTABLE: IH40_SWAI_penTable.tbl
 USER: T_Cowser
 FILE: K:\01509\01509-002\7-10\TXDOT\AMA\PS&E_IH_40\TRAFFIC\SWAI\Sheets\PI_SHTXX_SWAI_ILLUM_22.dgn
 DATE: 2/7/2024 9:47:32 AM

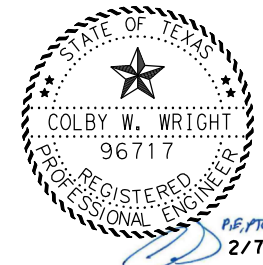
SCHEDULE OF ILLUMINATION POLE ASSEMBLIES						
POLE NO.	DESCRIPTION	CENTERLINE	STATION	OFFSET	60" DRILL SHAFT (LF)	4" CONC RIPRAP (CY)
9B-2	LED HI MST IL ASM (6 FIXT) (ASYM) (TY A) - (150T)	IH 40	887+15.16	97.38 RT	46	3
9B-3	LED HI MST IL ASM (6 FIXT) (ASYM) (TY A) - (150T)	IH 40	894+21.73	89.72 RT	46	3
TOTAL:					92	6



LEGEND:

- APPROX. ROW
- EXIST. STANDARD ILLUM.
- EXIST. DBL. STAN. ILLUM.
- EXIST. UNDERPASS ILLUM.
- [R1] EXIST. ILLUM. POLES TO BE REMOVED
- [U1] EXIST. ILLUM. POLES TO BE UPGRADED TO LED FIXTURES
- EXIST. CONDUIT
- XX-X PROP. HIGH MAST ILLUM. (6-LED ASYM FIXTURE)
- PROP. ELECTRIC SERVICE POINT
- PROP. TYPE A GROUND BOX WITH APRON
- PROP. TYPE C GROUND BOX WITH APRON
- PROP. ELECTRICAL CONDUIT
- PROP. BORED ELECTRICAL CONDUIT
- PROP. ELECTRICAL CONDUIT RIGID METAL
- XX-X PROP. UNDERPASS LIGHT FIX. (150' W. EQ LED) (TY 1)
- PROP. DISCONNECT SWITCH
- PROP. JUNCTION BOX
- XX-X LUMINAIRE ID
- XX-X LUMINAIRE NUMBER
- XX-X CIRCLET LETTER
- XX-X SERVICE NUMBER

NO.	DATE	REVISION	APPROVED



ILLUMINATION LAYOUT
STA 883+00 TO STA 895+00

SHEET 22 OF 67

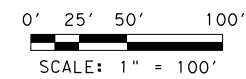
FED. RD. DIV. NO.	FEDERAL AID PROJECT NO.	HIGHWAY NO.
6	SEE TITLE SHEET	IH 40
STATE	DIST.	COUNTY
TEXAS	AMA	POTTER
CONT.	SECT.	JOB
0275	01	244

- GENERAL NOTES:**
- MATCH LINE AND ANNOTATION STATIONING IS BASED OFF IH 40.
 - ASSUMED N VALUE = 5 BLOWS/FT.
 - DISPOSE OF REPLACED LUMINAIRES PROPERLY.
 - ALL EXISTING WIRING AND CONDUIT IN BARRIER TO REMAIN AFTER EXISTING ILLUMINATION IS REMOVED.
 - THE QUANTITY FOR BID ITEM, 0690 6009 REMOVAL OF CABLES, IS DETERMINED BY THE LENGTH OF THE RUN. NO ADDITIONAL PAYMENT WILL BE MADE FOR REMOVAL OF MULTIPLE CABLES WITHIN A SINGLE RUN OF CONDUIT.

SCHEDULE OF CONDUIT AND CONDUCTORS											
ELEC. SERV. #	CIRCUIT LETTER	RUN NO.	LENGTH	CONDUIT (NO & LENGTH IN FEET)				CONDUCTOR (NO & LENGTH IN FEET)			
				618 6046		618 6047		620 6007		620 6008	
				EA	LF	EA	LF	EA	LF	EA	LF
9	B	4		SEE SHEET 53							
9	B	5	350	1	350			1	350	2	700
9	B	6	10	1	10			1	10	2	20
9	B	7	265			1	265	1	265	2	530
9	B	8	240	1	240			1	240	2	480
9	B	9	220			1	220	1	220	2	440
9	B	10	10	1	10			1	10	2	20
TOTAL:				610	485	1095	2190				

SUMMARY OF QUANTITIES			
ITEM	QUANTITY	UNIT	QUANTITY
0416 6026	DRILL SHAFT (HIGH MAST POLE) (60 IN)	LF	92
0432 6001	RIPRAP (CONC) (4 IN)	CY	6
0610 6008	REMOVE RD IL ASM (CTB MOUNT)	EA	9
0610 6009	REMOVE RD IL ASM (TRANS-BASE)	EA	13
0613 6006	HI MST IL POLE (150 FT) (100 MPH)	EA	2
0618 6046	COND (PVC) (SCH 80) (2")	LF	610
0618 6047	COND (PVC) (SCH 80) (2") (BORE)	LF	485
0620 6007	ELEC CONDR (NO. 8) BARE	LF	1095
0620 6008	ELEC CONDR (NO. 8) INSULATED	LF	2190
0624 6002	GROUND BOX TY A (122311) W/APRON	EA	5
0690 6009	REMOVAL OF CABLES	LF	1880
6156 6002	LED HI MST IL ASM (6 FIXT) (ASYM) (TY A)	EA	2

SCHEDULE OF ILLUMINATION POLE ASSEMBLIES						
POLE NO.	DESCRIPTION	CENTERLINE	STATION	OFFSET	60" DRILL SHAFT (LF)	4" CONC RIPRAP (CY)
10A-1	LED NFHM ILL ASSM (6 FIXT) (ASYM) (TY A) (SHLD) - (150T)	IH 40	910+93.84	75.27 LT	46	3
10B-1	LED NFHM ILL ASSM (6 FIXT) (ASYM) (TY A) (SHLD) - (150T)	IH 40	917+90.33	83.55 LT	46	3
TOTAL:					92	6



LEGEND:

- APPROX. ROW
- EXIST. STANDARD ILLUM.
- EXIST. DBL. STAN. ILLUM.
- EXIST. UNDERPASS ILLUM.
- R1 EXIST. ILLUM. POLES TO BE REMOVED
- U1 EXIST. ILLUM. POLES TO BE UPGRADED TO LED FIXTURES
- EXIST. CONDUIT
- XX-X ○ PRO. HIGH MAST ILLUM. (6-LED ASYM FIXTURE)
- PRO. ELECTRIC SERVICE POINT
- PRO. TYPE A GROUND BOX WITH APRON
- PRO. TYPE C GROUND BOX WITH APRON
- PRO. ELECTRICAL CONDUIT
- PRO. BORED ELECTRICAL CONDUIT
- PRO. ELECTRICAL CONDUIT RIGID METAL
- XX-X ○ PRO. UNDERPASS LIGHT FIX. (150' W. EQ LED) (TY 1)
- PRO. DISCONNECT SWITCH
- PRO. JUNCTION BOX
- XX-X LUMINAIRE ID
- LUMINAIRE NUMBER
- CIRCLET LETTER
- SERVICE NUMBER

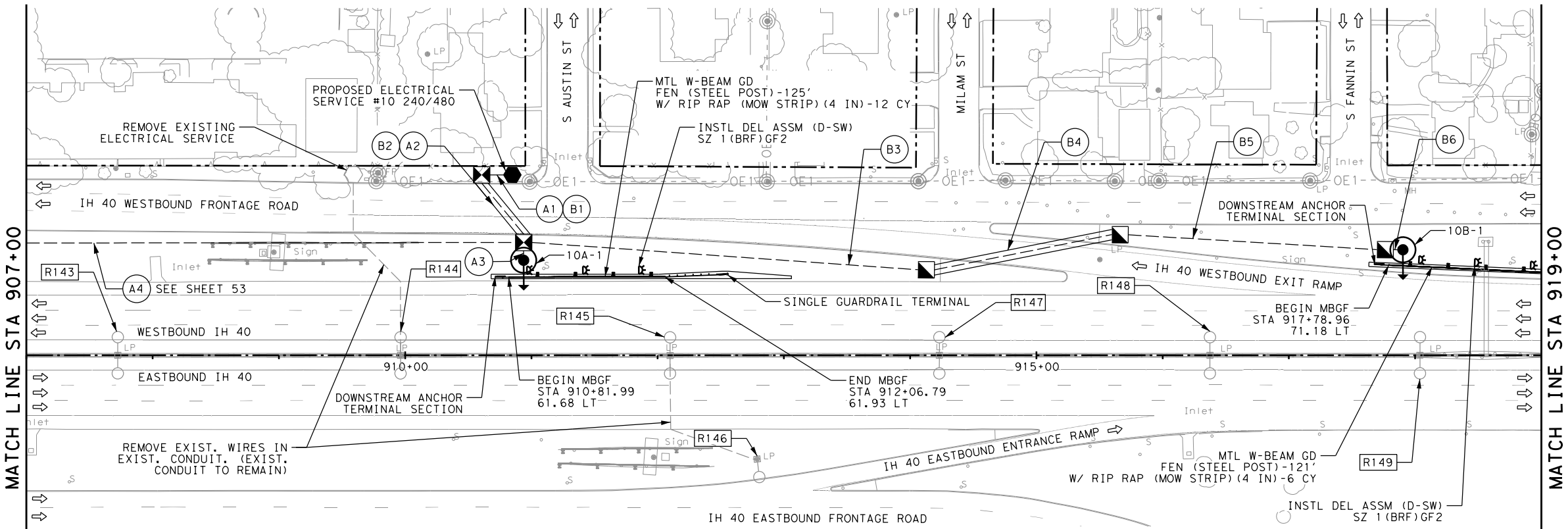
NO.	DATE	REVISION	APPROVED



ILLUMINATION LAYOUT
STA 907+00 TO STA 919+00

FED. RD. DIV. NO.	FEDERAL AID PROJECT NO.	HIGHWAY NO.
6	SEE TITLE SHEET	IH 40
STATE	DIST.	COUNTY
TEXAS	AMA	POTTER
CONT.	SECT.	JOB
0275	01	244

SHEET 24 OF 67



SCHEDULE OF CONDUIT AND CONDUCTORS											
ELEC. SERV. #	CIRCUIT LETTER	RUN NO.	LENGTH	CONDUIT (NO & LENGTH IN FEET)				CONDUCTOR (NO & LENGTH IN FEET)			
				2" PVC (TRENCH)		2" PVC (BORED)		#8 AWG (BARE)		#8 AWG (INSULATED)	
				EA	LF	EA	LF	EA	LF	EA	LF
10	A	1	30	1	30			1	30	2	60
10	A	2	65			1	65	1	65	2	130
10	A	3	10	1	10			1	10	2	20
10	A	4		SEE SHEET 55							
10	B	1	30	1	30			1	30	2	60
10	B	2	65			1	65	1	65	2	130
10	B	3	320	1	320			1	320	2	640
10	B	4	160			1	160	1	160	2	320
10	B	5	225	1	225			1	225	2	450
10	B	6	10	1	10			1	10	2	20
TOTAL:				625	290	915	1830				

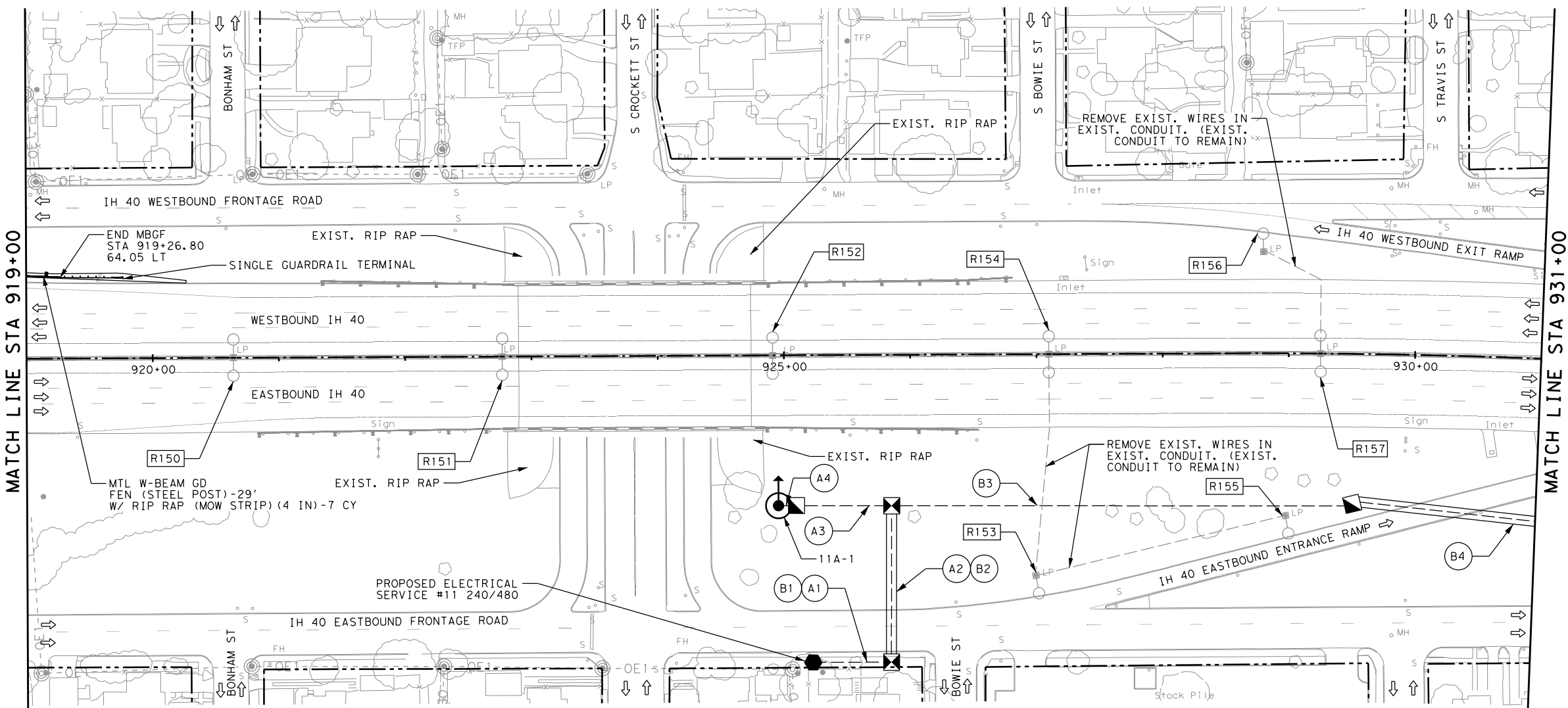
SUMMARY OF QUANTITIES			
ITEM	QUANTITY	UNIT	QUANTITY
0416 6026	DRILL SHAFT (HIGH MAST POLE) (60 IN)	LF	92
0432 6001	RIPRAP (CONC) (4 IN)	CY	6
0432 6045	RIPRAP (MOW STRIP) (4 IN)	CY	18
0540 6002	MTL W-BEAM GD FEN (STEEL POST)	LF	246
0540 6016	DOWNSTREAM ANCHOR TERMINAL SECTION	EA	2
0544 6001	GUARDRAIL END TREATMENT (INSTALL)	EA	1
0610 6008	REMOVE RD IL ASM (CTB MOUNT)	EA	6
0610 6009	REMOVE RD IL ASM (TRANS-BASE)	EA	1
0613 6006	HI MST IL POLE (150 FT) (100 MPH)	EA	2
0618 6046	CONDT (PVC) (SCH 80) (2")	LF	625
0618 6047	CONDT (PVC) (SCH 80) (2") (BORE)	LF	290
0620 6007	ELEC CONDR (NO. 8) BARE	LF	915
0620 6008	ELEC CONDR (NO. 8) INSULATED	LF	1830
0624 6002	GROUND BOX TY A (122311) W/APRON	EA	3
0624 6008	GROUND BOX TY C (162911) W/APRON	EA	2
0628 6002	REMOVE ELECTRICAL SERVICES	EA	1
0628 6045	ELC SRV TY A 240/480 060(NS)SS(E)SP(O)	EA	1
0658 6061	INSTL DEL ASSM (D-SW) SZ 1 (BRF) GF2	EA	6
0690 6009	REMOVAL OF CABLES	LF	305
6156 6009	LED HI MST IL AM (6 FIXT) ASYM (TY A) SHLD	EA	2

- GENERAL NOTES:**
- MATCH LINE AND ANNOTATION STATIONING IS BASED OFF I-40.
 - ASSUMED N VALUE = 5 BLOWS/FT.
 - DISPOSE OF REPLACED LUMINAIRES PROPERLY.
 - ALL EXISTING WIRING AND CONDUIT IN BARRIER TO REMAIN AFTER EXISTING ILLUMINATION IS REMOVED.
 - THE QUANTITY FOR BID ITEM, 0690 6009 REMOVAL OF CABLES, IS DETERMINED BY THE LENGTH OF THE RUN. NO ADDITIONAL PAYMENT WILL BE MADE FOR REMOVAL OF MULTIPLE CABLES WITHIN A SINGLE RUN OF CONDUIT.

DATE: 2/7/2024 9:47:34 AM
 USER: T_Cowser
 FILE: K:\01509\01509-0027-10 TxDOT AMA PS&E_IH 40 TRAFFIC SWA1\Sheets\SWA1_SHTXX-SWA1_ILLUM-24.dgn
 PLOTDRIVER: BW_HALF_PDF.plt
 PENTABLE: IH40_SWA1_penfbtab1e.tbl

DATE: 2/7/2024 9:47:35 AM
 USER: T_Cowser
 FILE: K:\01509\01509-002\7-10\TXDOT\AMA PS&E_IH 40\TRAFFIC\SWA1\Sheets\PI_SHTXX_SWA1_ILLUM_25.dgn
 PLOT DRIVER: BW_HALF_PDF.plt
 PENTABLE: IH40_SWA1_pentTable.tbl

SCHEDULE OF ILLUMINATION POLE ASSEMBLIES						
POLE NO.	DESCRIPTION	CENTERLINE	STATION	OFFSET	60" DRILL SHAFT (LF)	4" CONC RIPRAP (CY)
11A-1	LED HI MST IL ASM (6 FIXT) (ASYM) (TY A) - (150T)	IH 40	924+95.22	119.14 RT	46	3



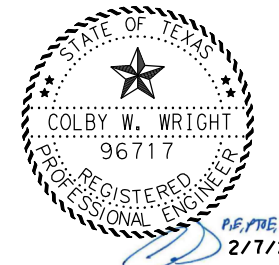
0' 25' 50' 100'

SCALE: 1" = 100'

LEGEND:

- APPROX. ROW
- EXIST. STANDARD ILLUM.
- EXIST. DBL. STAN. ILLUM.
- △ EXIST. UNDERPASS ILLUM.
- R1 EXIST. ILLUM. POLES TO BE REMOVED
- U1 EXIST. ILLUM. POLES TO BE UPGRADED TO LED FIXTURES
- EXIST. CONDUIT
- XX-X ○ PRO. HIGH MAST ILLUM. (6-LED ASYM FIXTURE)
- PRO. ELECTRIC SERVICE POINT
- PRO. TYPE A GROUND BOX WITH APRON
- PRO. TYPE C GROUND BOX WITH APRON
- PRO. ELECTRICAL CONDUIT
- PRO. BORED ELECTRICAL CONDUIT
- PRO. ELECTRICAL CONDUIT RIGID METAL
- XX-X ► PRO. UNDERPASS LIGHT FIX. (150' W. EQ LED) (TY 1)
- PRO. DISCONNECT SWITCH
- PRO. JUNCTION BOX
- XX-X LUMINAIRE ID
- LUMINAIRE NUMBER
- CIRCUIT LETTER
- SERVICE NUMBER

NO.	DATE	REVISION	APPROVED



ILLUMINATION LAYOUT
STA 919+00 TO STA 931+00

SHEET 25 OF 67

FED. RD. DIV. NO.	FEDERAL AID PROJECT NO.	HIGHWAY NO.
6	SEE TITLE SHEET	IH 40
STATE	DIST.	COUNTY
TEXAS	AMA	POTTER
CONT.	SECT.	JOB
0275	01	244

- GENERAL NOTES:**
- MATCH LINE AND ANNOTATION STATIONING IS BASED OFF IH 40.
 - ASSUMED N VALUE = 5 BLOWS/FT.
 - DISPOSE OF REPLACED LUMINAIRES PROPERLY.
 - ALL EXISTING WIRING AND CONDUIT IN BARRIER TO REMAIN AFTER EXISTING ILLUMINATION IS REMOVED.
 - THE QUANTITY FOR BID ITEM, 0690 6009 REMOVAL OF CABLES, IS DETERMINED BY THE LENGTH OF THE RUN. NO ADDITIONAL PAYMENT WILL BE MADE FOR REMOVAL OF MULTIPLE CABLES WITHIN A SINGLE RUN OF CONDUIT.

SCHEDULE OF CONDUIT AND CONDUCTORS															
ELEC. SERV. #	CIRCUIT LETTER	RUN NO.	LENGTH	CONDUIT (NO & LENGTH IN FEET)				CONDUCTOR (NO & LENGTH IN FEET)							
				2" PVC (TRENCH)		2" PVC (BORED)		#8 AWG (BARE)		#8 AWG (INSULATED)		#6 AWG (BARE)		#6 AWG (INSULATED)	
				EA	LF	EA	LF	EA	LF	EA	LF	EA	LF	EA	LF
11	A	1	70	1	70			1	70	2	140				
11	A	2	125			1	125	1	125	2	250				
11	A	3	90	1	90			1	90	2	180				
11	A	4	10	1	10			1	10	2	20				
11	B	1	70	1	70					1	70	2	140		
11	B	2	125			1	125			1	125	2	250		
11	B	3	370	1	370					1	370	2	740		
11	B	4	230			1	230			1	230	2	460		
TOTAL:				610	480	295	590	795	1590						

SUMMARY OF QUANTITIES			
ITEM	QUANTITY	UNIT	QUANTITY
0416 6026	DRILL SHAFT (HIGH MAST POLE) (60 IN)	LF	46
0432 6001	RIPRAP (CONC) (4 IN)	CY	3
0432 6045	RIPRAP (MOW STRIP) (4 IN)	CY	7
0540 6002	MTL W-BEAM GD FEN (STEEL POST)	LF	29
0544 6001	GUARDRAIL END TREATMENT (INSTALL)	EA	1
0610 6008	REMOVE RD IL ASM (CTB MOUNT)	EA	5
0610 6009	REMOVE RD IL ASM (TRANS-BASE)	EA	3
0613 6006	HI MST IL POLE (150 FT) (100 MPH)	EA	1
0618 6046	CONDT (PVC) (SCH 80) (2")	LF	610
0618 6047	CONDT (PVC) (SCH 80) (2") (BORE)	LF	480
0620 6007	ELEC CONDR (NO. 8) BARE	LF	295
0620 6008	ELEC CONDR (NO. 8) INSULATED	LF	590
0620 6009	ELEC CONDR (NO. 6) BARE	LF	795
0620 6010	ELEC CONDR (NO. 6) INSULATED	LF	1590
0624 6002	GROUND BOX TY A (122311) W/APRON	EA	2
0624 6008	GROUND BOX TY C (162911) W/APRON	EA	2
0628 6045	ELC SRV TY A 240/480 060(NS)SS(E)SP(O)	EA	1
0690 6009	REMOVAL OF CABLES	LF	500
6156 6002	LED HI MST IL ASM (6 FIXT) (ASYM) (TY A)	EA	1

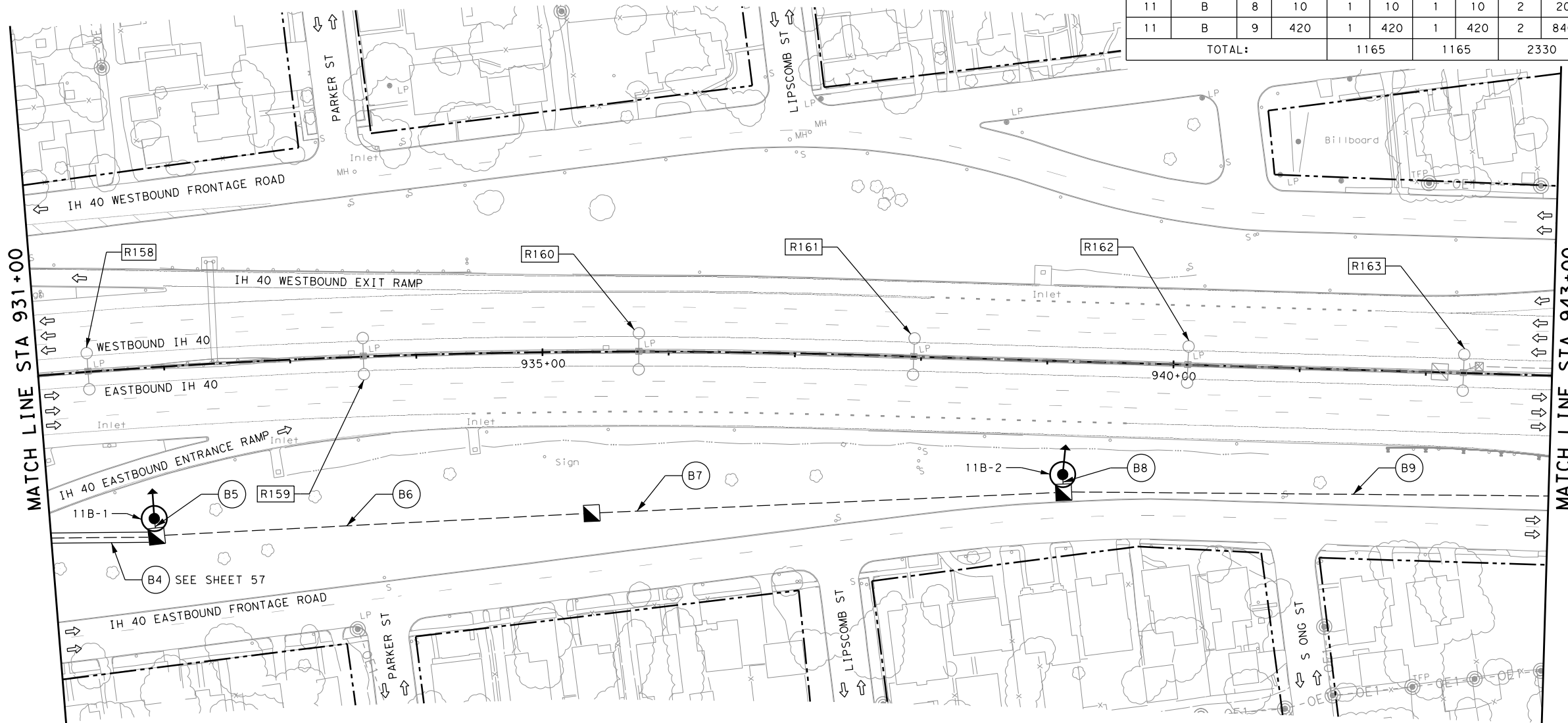
PLOTDRIVER: BW_HALF_PDF.plt
 PENTABLE: IH40_SWAI_penttable.tbl

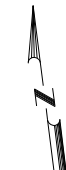
USER: T_Cowser
 FILE: K:\01509\01509-002\7-10\TXDOT\AMA PS&E_IH_40\TRAFFIC\SWAI\SHTXX_SWAI_ILLUM_26.dgn

DATE: 2/7/2024 9:47:36 AM
 FILE: K:\01509\01509-002\7-10\TXDOT\AMA PS&E_IH_40\TRAFFIC\SWAI\SHTXX_SWAI_ILLUM_26.dgn

SCHEDULE OF ILLUMINATION POLE ASSEMBLIES						
POLE NO.	DESCRIPTION	CENTERLINE	STATION	OFFSET	60" DRILL SHAFT (LF)	4" CONC RIPRAP (CY)
11B-1	LED HI MST IL ASM (6 FIXT) (ASYM) (TY A) (SHLD) - (150T)	IH 40	931+84.35	119.63 RT	46	3
11B-2	LED HI MST IL ASM (6 FIXT) (ASYM) (TY A) (SHLD) - (150T)	IH 40	939+14.88	89.78 RT	46	3
TOTAL:					92	6

SCHEDULE OF CONDUIT AND CONDUCTORS									
ELEC. SERV. #	CIRCUIT LETTER	RUN NO.	LENGTH	CONDUIT (NO & LENGTH IN FEET)		CONDUCTOR (NO & LENGTH IN FEET)			
				618 6046		620 6009		620 6010	
				EA	LF	EA	LF	EA	LF
11	B	4		SEE SHEET 57					
11	B	5	10	1	10	1	10	2	20
11	B	6	350	1	350	1	350	2	700
11	B	7	375	1	375	1	375	2	750
11	B	8	10	1	10	1	10	2	20
11	B	9	420	1	420	1	420	2	840
TOTAL:					1165		1165		2330






0' 25' 50' 100'

SCALE: 1" = 100'

LEGEND:

- APPROX. ROW
- EXIST. STANDARD ILLUM.
- EXIST. DBL. STAN. ILLUM.
- EXIST. UNDERPASS ILLUM.
- R1 EXIST. ILLUM. POLES TO BE REMOVED
- U1 EXIST. ILLUM. POLES TO BE UPGRADED TO LED FIXTURES
- EXIST. CONDUIT
- XX-X ○ PROP. HIGH MAST ILLUM. (6-LED ASYM FIXTURE)
- PROP. ELECTRIC SERVICE POINT
- PROP. TYPE A GROUND BOX WITH APRON
- PROP. TYPE C GROUND BOX WITH APRON
- PROP. ELECTRICAL CONDUIT
- PROP. BORED ELECTRICAL CONDUIT
- PROP. ELECTRICAL CONDUIT RIGID METAL
- XX-X ○ PROP. UNDERPASS LIGHT FIX. (150' W. EQ LED) (TY 1)
- PROP. DISCONNECT SWITCH
- PROP. JUNCTION BOX
- XX-X LUMINAIRE ID
- LUMINAIRE NUMBER
- CIRCUIT LETTER
- SERVICE NUMBER

NO.	DATE	REVISION	APPROVED





ILLUMINATION LAYOUT
 STA 931+00 TO STA 943+00

SHEET 26 OF 67

SUMMARY OF QUANTITIES			
ITEM	QUANTITY	UNIT	QUANTITY
0416 6026	DRILL SHAFT (HIGH MAST POLE) (60 IN)	LF	92
0432 6001	RIPRAP (CONC) (4 IN)	CY	6
0610 6008	REMOVE RD IL ASM (CTB MOUNT)	EA	6
0613 6006	HI MST IL POLE (150 FT) (100 MPH)	EA	2
0618 6046	COND (PVC) (SCH 80) (2")	LF	1165
0620 6009	ELEC CONDR (NO. 6) BARE	LF	1165
0620 6010	ELEC CONDR (NO. 6) INSULATED	LF	2330
0624 6002	GROUND BOX TY A (122311) W/APRON	EA	3
6156 6009	LED HI MST IL AM (6 FIXT) ASYM (TY A) SHLD	EA	2

- GENERAL NOTES:**
- MATCH LINE AND ANNOTATION STATIONING IS BASED OFF IH 40.
 - ASSUMED N VALUE = 5 BLOWS/FT.
 - DISPOSE OF REPLACED LUMINAIRES PROPERLY.
 - ALL EXISTING WIRING AND CONDUIT IN BARRIER TO REMAIN AFTER EXISTING ILLUMINATION IS REMOVED.

FED. RD. DIV. NO.	FEDERAL AID PROJECT NO.	HIGHWAY NO.
6	SEE TITLE SHEET	IH 40
STATE	DIST.	COUNTY
TEXAS	AMA	POTTER
CONT.	SECT.	JOB
0275	01	244

58

PLOTDRIVER: BW_HALF_PDF.plt
 PENTABLE: IH40_SWAI_penttable.tbl

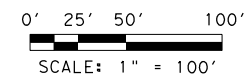
USER: T_Cowser
 FILE: K:\01509\01509-002\7-10\TXDOT AMA PS&E_IH 40_TRAFFIC_SWAI_SHTXX_SWAI_Illum_27.dgn

9:47:37 AM

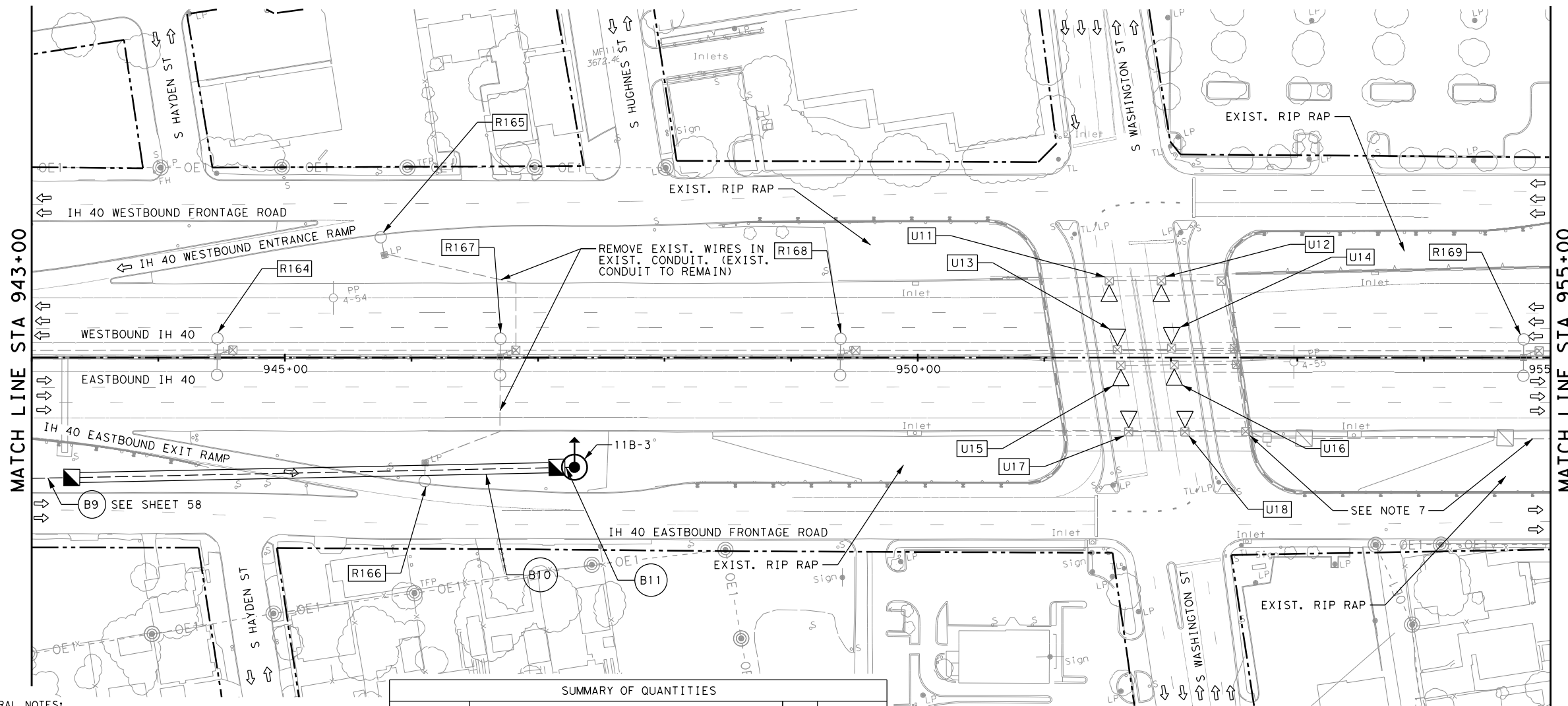
DATE: 2/7/2024

SCHEDULE OF CONDUIT AND CONDUCTORS												
ELEC. SERV. #	CIRCUIT LETTER	RUN NO.	LENGTH	CONDUIT (NO & LENGTH IN FEET)				CONDUCTOR (NO & LENGTH IN FEET)				
				2" PVC (TRENCH)		2" PVC (BORED)		#6 AWG (BARE)		#6 AWG (INSULATED)		
				EA	LF	EA	LF	EA	LF	EA	LF	
11	B	9		SEE SHEET 58								
11	B	10	400			1	400	1	400	2	800	
11	B	11	10	1	10			1	10	2	20	
TOTAL:				10	400			410	820			

SCHEDULE OF ILLUMINATION POLE ASSEMBLIES							
POLE NO.	DESCRIPTION	CENTERLINE	STATION	OFFSET	60" DRILL SHAFT (LF)	4" CONC RIPRAP (CY)	
11B-3	LED HI MST IL ASM (6 FIXT) (ASYM) (TY A) (SHLD) - (150T)	IH 40	947+28.81	86.56 RT	46	3	



- LEGEND:**
- APPROX. ROW
 - EXIST. STANDARD ILLUM.
 - EXIST. DBL. STAN. ILLUM.
 - EXIST. UNDERPASS ILLUM.
 - R1 ○ EXIST. ILLUM. POLES TO BE REMOVED
 - U1 ○ EXIST. ILLUM. POLES TO BE UPGRADED TO LED FIXTURES
 - EXIST. CONDUIT
 - XX-X ○ PROP. HIGH MAST ILLUM. (6-LED ASYM FIXTURE)
 - PROP. ELECTRIC SERVICE POINT
 - PROP. TYPE A GROUND BOX WITH APRON
 - PROP. TYPE C GROUND BOX WITH APRON
 - PROP. ELECTRICAL CONDUIT
 - PROP. BORED ELECTRICAL CONDUIT
 - PROP. RIGID ELECTRICAL CONDUIT
 - XX-X ○ PROP. UNDERPASS LIGHT FIX. (150 W. EQ LED) (TY 1)
 - PROP. DISCONNECT SWITCH
 - PROP. JUNCTION BOX
 - XX-X LUMINAIRE ID
 - LUMINAIRE NUMBER
 - CIRCUIT LETTER
 - SERVICE NUMBER



GENERAL NOTES:

- MATCH LINE AND ANNOTATION STATIONING IS BASED OFF IH 40.
- ASSUMED N VALUE = 5 BLOWS/FT.
- DISPOSE OF REPLACED LUMINAIRES PROPERLY.
- EXISTING UNDERPASS LIGHTING TO BE UPGRADED TO LED FIXTURES THIS SHEET.
- ALL EXISTING WIRING AND CONDUIT IN BARRIER TO REMAIN AFTER EXISTING ILLUMINATION IS REMOVED.
- THE QUANTITY FOR BID ITEM, 0690 6009 REMOVAL OF CABLES, IS DETERMINED BY THE LENGTH OF THE RUN. NO ADDITIONAL PAYMENT WILL BE MADE FOR REMOVAL OF MULTIPLE CABLES WITHIN A SINGLE RUN OF CONDUIT.
- RECONNECT EXISTING UNDERPASS LIGHTING CIRCUIT TO PROPOSED ELECTRICAL SERVICE #12 (SEE SHEET 60). UNDERPASS LIGHTING WILL CONNECT TO PROPOSED CIRCUIT C (SEE SHEET 60).

SUMMARY OF QUANTITIES				
ITEM	QUANTITY	UNIT	QUANTITY	
0416 6026	DRILL SHAFT (HIGH MAST POLE) (60 IN)	LF	46	
0432 6001	RIPRAP (CONC) (4 IN)	CY	3	
0610 6008	REMOVE RD IL ASM (CTB MOUNT)	EA	4	
0610 6009	REMOVE RD IL ASM (TRANS-BASE)	EA	2	
0610 6101	REPLACE LUMINAIRE W/LED (150W EQ)	EA	8	
0613 6006	HI MST IL POLE (150 FT) (100 MPH)	EA	1	
0618 6046	COND (PVC) (SCH 80) (2")	LF	10	
0618 6047	COND (PVC) (SCH 80) (2") (BORE)	LF	400	
0620 6009	ELEC CONDR (NO. 6) BARE	LF	410	
0620 6010	ELEC CONDR (NO. 6) INSULATED	LF	820	
0624 6002	GROUND BOX TY A (122311) W/APRON	EA	2	
0690 6009	REMOVAL OF CABLES	LF	290	
6156 6009	LED HI MST IL AM (6 FIXT) ASYM (TY A) SHLD	EA	1	

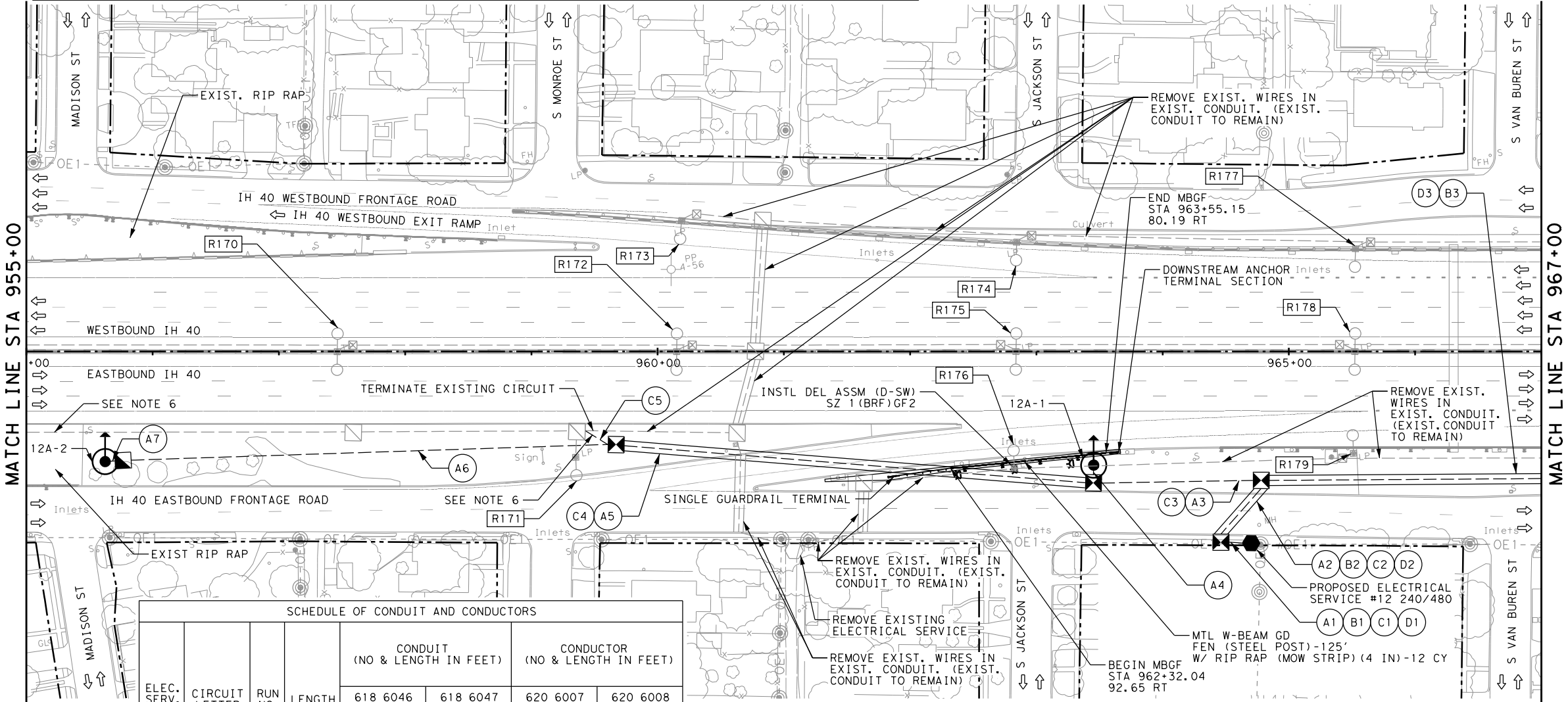
NO.	DATE	REVISION	APPROVED



ILLUMINATION LAYOUT			
STA 943+00 TO STA 955+00			
SHEET 27 OF 67			
FED. RD. DIV. NO.	FEDERAL AID PROJECT NO.	HIGHWAY NO.	
6	SEE TITLE SHEET	IH 40	
STATE	DIST.	COUNTY	SHEET NO.
TEXAS	AMA	POTTER	59
CONT.	SECT.	JOB	
0275	01	244	

DATE: 2/7/2024 9:47:38 AM
 USER: T_Cowser
 FILE: K:\01509\01509-002\7-10\TXDOT\AMA\PS&E_IH_40\TRAFFIC\SWA1\Sheets\PI_SHTXX_SWA1_ILLUM_28.dgn
 PLOT DRIVER: BW_HALF_PDF.plt
 PENTABLE: IH40_SWA1_pentTable.tbl

SCHEDULE OF ILLUMINATION POLE ASSEMBLIES						
POLE NO.	DESCRIPTION	CENTERLINE	STATION	OFFSET	60" DRILL SHAFT (LF)	4" CONC RIPRAP (CY)
12A-1	LED HI MST IL ASM (6 FIXT) (ASYM) (TY A) (SHLD) - (150T)	IH 40	963+45.38	90.11 RT	46	3
12A-2	LED HI MST IL ASM (6 FIXT) (ASYM) (TY A) (SHLD) - (150T)	IH 40	955+62.38	87.25 RT	46	3
TOTAL:					92	6



SCHEDULE OF CONDUIT AND CONDUCTORS											
ELEC. SERV. #	CIRCUIT LETTER	RUN NO.	LENGTH	CONDUIT (NO & LENGTH IN FEET)				CONDUCTOR (NO & LENGTH IN FEET)			
				2" PVC (TRENCH)		2" PVC (BORED)		#8 AWG (BARE)		#8 AWG (INSULATED)	
				EA	LF	EA	LF	EA	LF	EA	LF
12	A	1	25	1	25			1	25	2	50
12	A	2	65			1	65	1	65	2	130
12	A	3	135	1	135			1	135	2	270
12	A	4	10	1	10			1	10	2	20
12	A	5	380			1	380	1	380	2	760
12	A	6	405	1	405			1	405	2	810
12	A	7	10	1	10			1	10	2	20
12	B	1	25	1	25			1	25	2	50
12	B	2	65			1	65	1	65	2	130
12	B	3	490			1	490	1	490	2	980
12	C	1	25	1	25			1	25	2	50
12	C	2	65			1	65	1	65	2	130
12	C	3	135	1	135			1	135	2	270
12	C	4	380			1	380	1	380	2	760
12	C	5	35	1	35			1	35	2	70
12	D	1	25	1	25			2	50	4	100
12	D	2	65			1	65	2	130	4	260
12	D	3	490			1	490	2	980	4	1960
TOTAL:				830	2000	3410	6820				

SUMMARY OF QUANTITIES			
ITEM	QUANTITY	UNIT	QUANTITY
0416 6026	DRILL SHAFT (HIGH MAST POLE) (60 IN)	LF	92
0432 6001	RIPRAP (CONC) (4 IN)	CY	6
0432 6045	RIPRAP (MOW STRIP) (4 IN)	CY	12
0540 6002	MTL W-BEAM GD FEN (STEEL POST)	LF	125
0540 6016	DOWNSTREAM ANCHOR TERMINAL SECTION	EA	1
0544 6001	GUARDRAIL END TREATMENT (INSTALL)	EA	1
0610 6008	REMOVE RD IL ASM (CTB MOUNT)	EA	8
0610 6009	REMOVE RD IL ASM (TRANS-BASE)	EA	2
0613 6006	HI MST IL POLE (150 FT) (100 MPH)	EA	2
0618 6046	COND (PVC) (SCH 80) (2")	LF	830
0618 6047	COND (PVC) (SCH 80) (2") (BORE)	LF	2000
0620 6007	ELEC CONDR (NO. 8) BARE	LF	3410
0620 6008	ELEC CONDR (NO. 8) INSULATED	LF	6820
0624 6002	GROUND BOX TY A (122311) W/APRON	EA	1
0624 6008	GROUND BOX TY C (162911) W/APRON	EA	4
0628 6002	REMOVE ELECTRICAL SERVICES	EA	1
0628 6045	ELC SRV TY A 240/480 060(NS)SS(EP)S(O)	EA	1
0658 6061	INSTL DEL ASSM (D-SW) SZ 1 (BRF) GF2	EA	3
0690 6009	REMOVAL OF CABLES	LF	1720
6156 6009	LED HI MST IL AM (6 FIXT) ASYM (TY A) SHLD	EA	2

- GENERAL NOTES:
- MATCH LINE AND ANNOTATION STATIONING IS BASED OFF I-40.
 - ASSUMED N VALUE = 5 BLOWS/FT.
 - DISPOSE OF REPLACED LUMINAIRES PROPERLY.
 - ALL EXISTING WIRING AND CONDUIT IN BARRIER TO REMAIN AFTER EXISTING ILLUMINATION IS REMOVED.
 - THE QUANTITY FOR BID ITEM, 0690 6009 REMOVAL OF CABLES, IS DETERMINED BY THE LENGTH OF THE RUN. NO ADDITIONAL PAYMENT WILL BE MADE FOR REMOVAL OF MULTIPLE CABLES WITHIN A SINGLE RUN OF CONDUIT.
 - RECONNECT EXISTING UNDERPASS LIGHTING (SEE SHEET 59) CIRCUIT TO PROPOSED ELECTRICAL SERVICE #12. UNDERPASS LIGHTING WILL CONNECT TO PROPOSED CIRCUIT C.

0' 25' 50' 100'
SCALE: 1" = 100'

LEGEND:

- APPROX. ROW
- EXIST. STANDARD ILLUM.
- EXIST. DBL. STAN. ILLUM.
- EXIST. UNDERPASS ILLUM.
- R1 EXIST. ILLUM. POLES TO BE REMOVED
- U1 EXIST. ILLUM. POLES TO BE UPGRADED TO LED FIXTURES
- EXIST. CONDUIT
- XX-X PRO. HIGH MAST ILLUM. (6-LED ASYM FIXTURE)
- PRO. ELECTRIC SERVICE POINT
- PRO. TYPE A GROUND BOX WITH APRON
- PRO. TYPE C GROUND BOX WITH APRON
- PRO. ELECTRICAL CONDUIT
- PRO. BORED ELECTRICAL CONDUIT
- PRO. ELECTRICAL CONDUIT RIGID METAL
- XX-X PRO. UNDERPASS LIGHT FIX. (150' W. EQ LED) (TY 1)
- PRO. DISCONNECT SWITCH
- PRO. JUNCTION BOX
- XX-X LUMINAIRE ID
- LUMINAIRE NUMBER
- CIRCUIT LETTER
- SERVICE NUMBER

NO.	DATE	REVISION	APPROVED

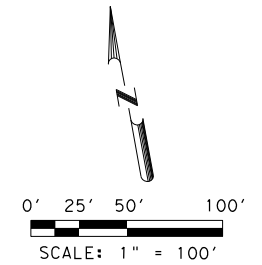
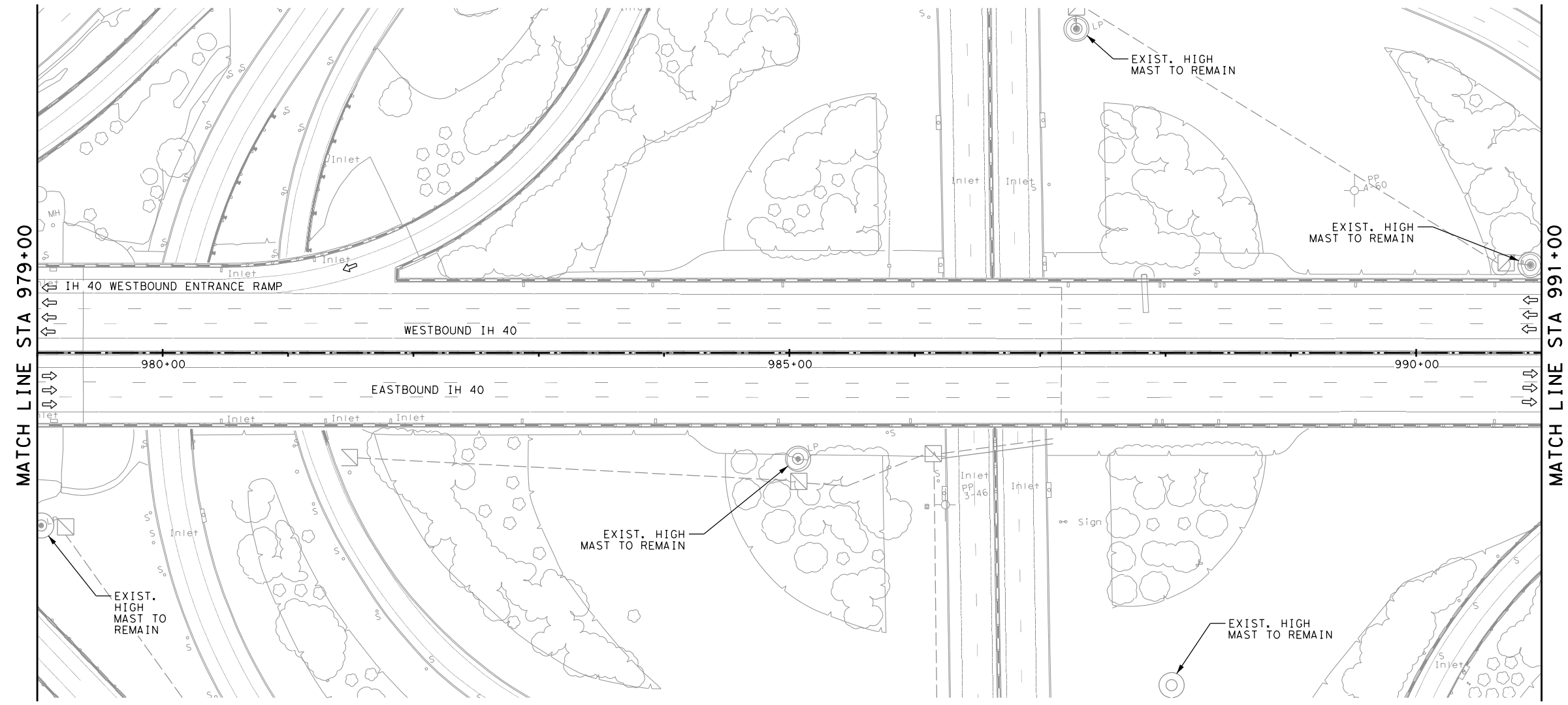


ILLUMINATION LAYOUT

STA 955+00 TO STA 967+00

SHEET 28 OF 67

FED. RD. DIV. NO.	FEDERAL AID PROJECT NO.	HIGHWAY NO.
6	SEE TITLE SHEET	IH 40
STATE	DIST.	COUNTY
TEXAS	AMA	POTTER
CONT.	SECT.	JOB
0275	01	244



- LEGEND:**
- APPROX. ROW
 - EXIST. STANDARD ILLUM.
 - EXIST. DBL. STAN. ILLUM.
 - △ EXIST. UNDERPASS ILLUM.
 - [R1] ○ EXIST. ILLUM. POLES TO BE REMOVED
 - [U1] ○ EXIST. ILLUM. POLES TO BE UPGRADED TO LED FIXTURES
 - EXIST. CONDUIT
 - XX-X ○ EXIST. HIGH MAST ILLUM. (6-LED ASYM FIXTURE)
 - PROP. ELECTRIC SERVICE POINT
 - PROP. TYPE A GROUND BOX WITH APRON
 - PROP. TYPE C GROUND BOX WITH APRON
 - PROP. ELECTRICAL CONDUIT
 - === PROP. BORED ELECTRICAL CONDUIT
 - PROP. RIGID ELECTRICAL CONDUIT METAL
 - XX-X → PROP. UNDERPASS LIGHT FIX. (150' W. EQ LED) (TY 1)
 - PROP. DISCONNECT SWITCH
 - PROP. JUNCTION BOX
 - XX-X LUMINAIRE ID
 - LUMINAIRE NUMBER
 - CIRCUIT LETTER
 - SERVICE NUMBER

NO.	DATE	REVISION	APPROVED

STATE OF TEXAS
 COLBY W. WRIGHT
 96717
 REGISTERED PROFESSIONAL ENGINEER
 P.E. PRE ASPI
 2/7/2024

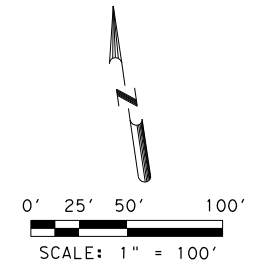


ILLUMINATION LAYOUT
 STA 979+00 TO STA 991+00

SHEET 30 OF 67

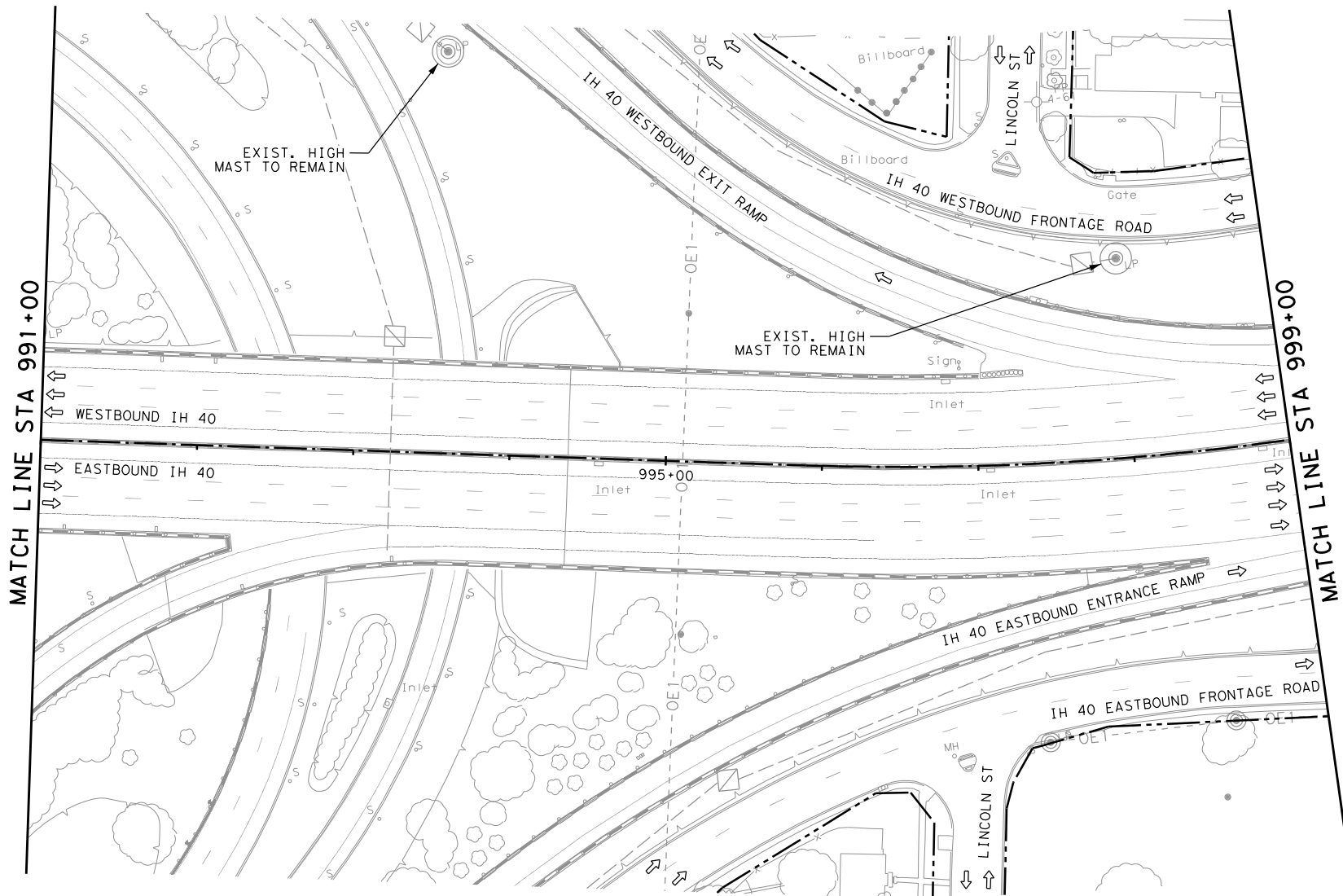
FED. RD. DIV. NO.	FEDERAL AID PROJECT NO.	HIGHWAY NO.	
6	SEE TITLE SHEET	IH 40	
STATE	DIST.	COUNTY	SHEET NO.
TEXAS	AMA	POTTER	62
CONT.	SECT.	JOB	
0275	01	244	

- GENERAL NOTES:**
- MATCH LINE AND ANNOTATION STATIONING IS BASED OFF IH 40.
 - EXISTING HIGH MAST ILLUMINATION TO REMAIN.
 - NO WORK ON THIS SHEET



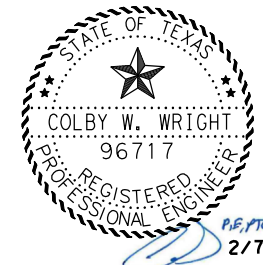
LEGEND:

- APPROX. ROW
- EXIST. STANDARD ILLUM.
- EXIST. DBL. STAN. ILLUM.
- △ EXIST. UNDERPASS ILLUM.
- [R1] ○ EXIST. ILLUM. POLES TO BE REMOVED
- [U1] ○ EXIST. ILLUM. POLES TO BE UPGRADED TO LED FIXTURES
- EXIST. CONDUIT
- XX-X ○ PRO. HIGH MAST ILLUM. (6-LED ASYM FIXTURE)
- PRO. ELECTRIC SERVICE POINT
- PRO. TYPE A GROUND BOX WITH APRON
- ⊠ PRO. TYPE C GROUND BOX WITH APRON
- PRO. ELECTRICAL CONDUIT BORED
- === PRO. ELECTRICAL CONDUIT RIGID METAL
- XX-X → PRO. UNDERPASS LIGHT FIX. (150 W. EQ LED) (TY 1)
- PRO. DISCONNECT SWITCH
- ⊠ PRO. JUNCTION BOX
- XX-X LUMINAIRE ID
- ┌ LUMINAIRE NUMBER
- ├ CIRCUIT LETTER
- └ SERVICE NUMBER



- GENERAL NOTES:
1. MATCH LINE AND ANNOTATION STATIONING IS BASED OFF R IH 40.
 2. EXISTING HIGH MAST ILLUMINATION TO REMAIN.
 3. NO WORK ON THIS SHEET

NO.	DATE	REVISION	APPROVED



ILLUMINATION LAYOUT
 STA 991+00 TO STA 999+00

SHEET 31 OF 67

FED. RD. DIV. NO.	FEDERAL AID PROJECT NO.	HIGHWAY NO.
6	SEE TITLE SHEET	IH 40
STATE	DIST.	COUNTY
TEXAS	AMA	POTTER
CONT.	SECT.	JOB
0275	01	244

63

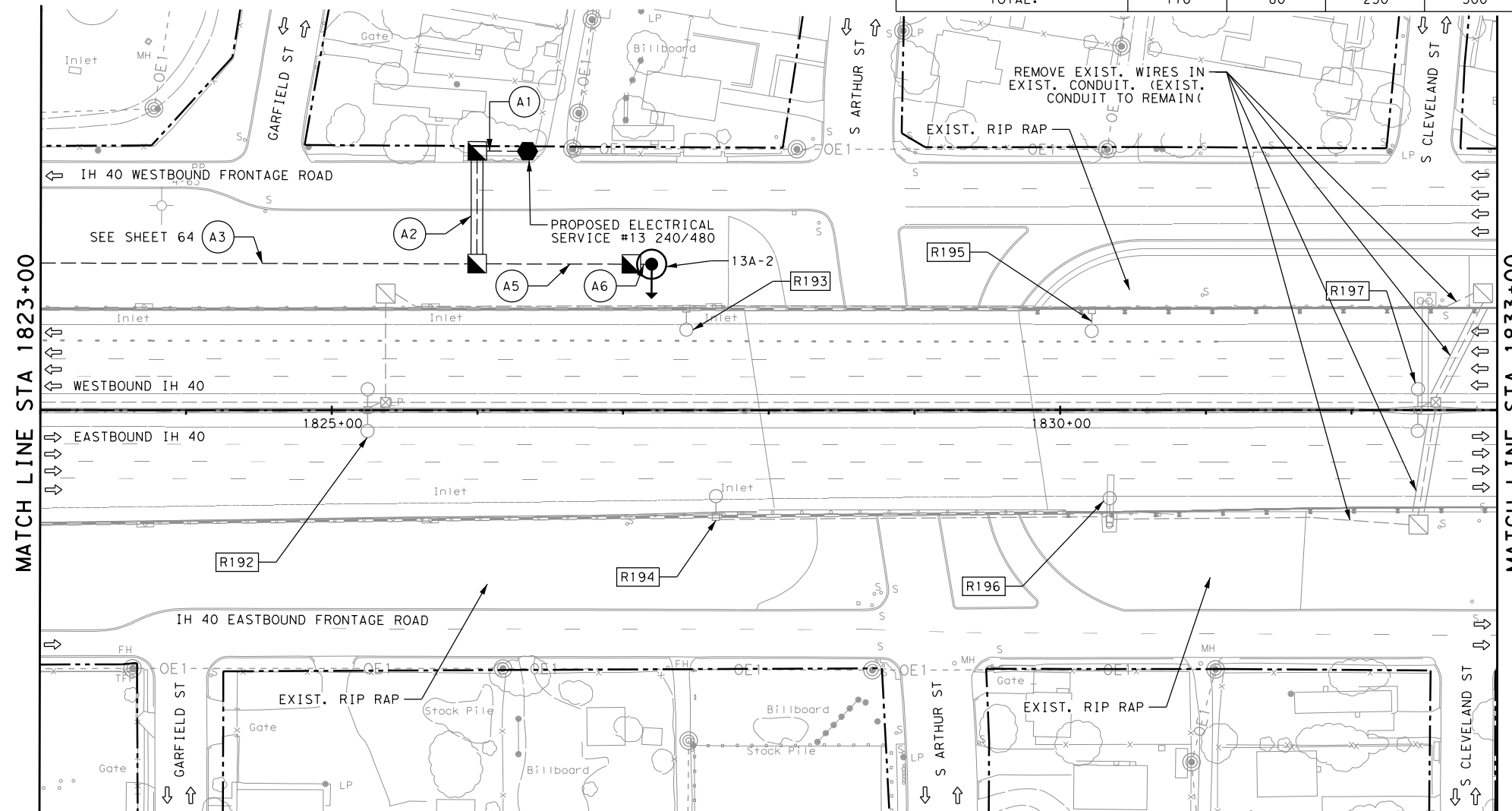
PLOTDRIVER: BW_HALF_PDF.plt
 PENTABLE: IH40_SWAI_penttable.tbl

USER: T_Cowser
 FILE: K:\01509\01509-002\7-10\TXDOT\AMA PS&E_IH 40\TRAFFIC\SWAI\Shts\SWAI_SHTXX_SWAI_ILLUM_33.dgn

DATE: 2/7/2024 9:47:44 AM
 FILE: K:\01509\01509-002\7-10\TXDOT\AMA PS&E_IH 40\TRAFFIC\SWAI\Shts\SWAI_SHTXX_SWAI_ILLUM_33.dgn

SCHEDULE OF ILLUMINATION POLE ASSEMBLIES						
POLE NO.	DESCRIPTION	CENTERLINE	STATION	OFFSET	60" DRILL SHAFT (LF)	4" CONC RIPRAP (CY)
13A-2	LED HI MST IL ASM (6 FIXT) (ASYM) (TY A) (SHLD) - (125T)	IH 40	1827+19.63	100.16 LT	41	3

SCHEDULE OF CONDUIT AND CONDUCTORS											
ELEC. SERV. #	CIRCUIT LETTER	RUN NO.	LENGTH	CONDUIT (NO & LENGTH IN FEET)				CONDUCTOR (NO & LENGTH IN FEET)			
				2" PVC (TRENCH)		2" PVC (BORED)		#8 AWG (BARE)		#8 AWG (INSULATED)	
				EA	LF	EA	LF	EA	LF	EA	LF
13	A	1	40	1	40			1	40	2	80
13	A	2	80			1	80	1	80	2	160
13	A	3		SEE SHEET 64							
13	A	5	120	1	120			1	120	2	240
13	A	6	10	1	10			1	10	2	20
TOTAL:				170	80	250	500				



0' 25' 50' 100'
 SCALE: 1" = 100'

LEGEND:

- APPROX. ROW
- EXIST. STANDARD ILLUM.
- EXIST. DBL. STAN. ILLUM.
- EXIST. UNDERPASS ILLUM.
- R1 EXIST. ILLUM. POLES TO BE REMOVED
- U1 EXIST. ILLUM. POLES TO BE UPGRADED TO LED FIXTURES
- EXIST. CONDUIT
- XX-X EXIST. HIGH MAST ILLUM. (6-LED ASYM FIXTURE)
- PROP. ELECTRIC SERVICE POINT
- PROP. TYPE A GROUND BOX WITH APRON
- PROP. TYPE C GROUND BOX WITH APRON
- PROP. ELECTRICAL CONDUIT
- PROP. BORED ELECTRICAL CONDUIT
- PROP. RIGID ELECTRICAL CONDUIT
- XX-X PROP. UNDERPASS LIGHT FIX. (150' W. EQ LED) (TY 1)
- PROP. DISCONNECT SWITCH
- PROP. JUNCTION BOX
- XX-X LUMINAIRE ID
- LUMINAIRE NUMBER
- CIRCUIT LETTER
- SERVICE NUMBER

- GENERAL NOTES:
- MATCH LINE AND ANNOTATION STATIONING IS BASED OFF IH 40.
 - ASSUMED N VALUE = 5 BLOWS/FT.
 - DISPOSE OF REPLACED LUMINAIRES PROPERLY.
 - ALL EXISTING WIRING AND CONDUIT IN BARRIER TO REMAIN AFTER EXISTING ILLUMINATION IS REMOVED.
 - THE QUANTITY FOR BID ITEM, 0690 6009 REMOVAL OF CABLES, IS DETERMINED BY THE LENGTH OF THE RUN. NO ADDITIONAL PAYMENT WILL BE MADE FOR REMOVAL OF MULTIPLE CABLES WITHIN A SINGLE RUN OF CONDUIT.

SUMMARY OF QUANTITIES			
ITEM	QUANTITY	UNIT	QUANTITY
0416 6026	DRILL SHAFT (HIGH MAST POLE) (60 IN)	LF	41
0432 6001	RIPRAP (CONC) (4 IN)	CY	3
0610 6008	REMOVE RD IL ASM (CTB MOUNT)	EA	6
0613 6004	HI MST IL POLE (125 FT) (100 MPH)	EA	1
0618 6046	CONDT (PVC) (SCH 80) (2")	LF	170
0618 6047	CONDT (PVC) (SCH 80) (2") (BORE)	LF	80
0620 6007	ELEC CONDR (NO. 8) BARE	LF	250
0620 6008	ELEC CONDR (NO. 8) INSULATED	LF	500
0624 6002	GROUND BOX TY A (122311) W/APRON	EA	3
0628 6045	ELC SRV TY A 240/480 060 (NS) SS (E) SP (O)	EA	1
0690 6009	REMOVAL OF CABLES	LF	270
6156 6009	LED HI MST IL AM (6 FIXT) ASYM (TY A) SHLD	EA	1

NO.	DATE	REVISION	APPROVED

REGISTERED PROFESSIONAL ENGINEER
 P.E. # 96717
 2/7/2024



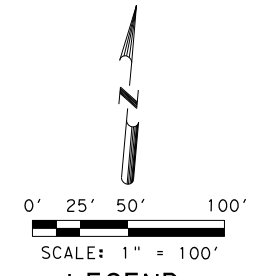
ILLUMINATION LAYOUT
 STA 1823+00 TO STA 1833+00

SHEET 33 OF 67			
FED. RD. DIV. NO.	FEDERAL AID PROJECT NO.	HIGHWAY NO.	
6	SEE TITLE SHEET	IH 40	
STATE	DIST.	COUNTY	SHEET NO.
TEXAS	AMA	POTTER	65
CONT.	SECT.	JOB	
0275	01	244	

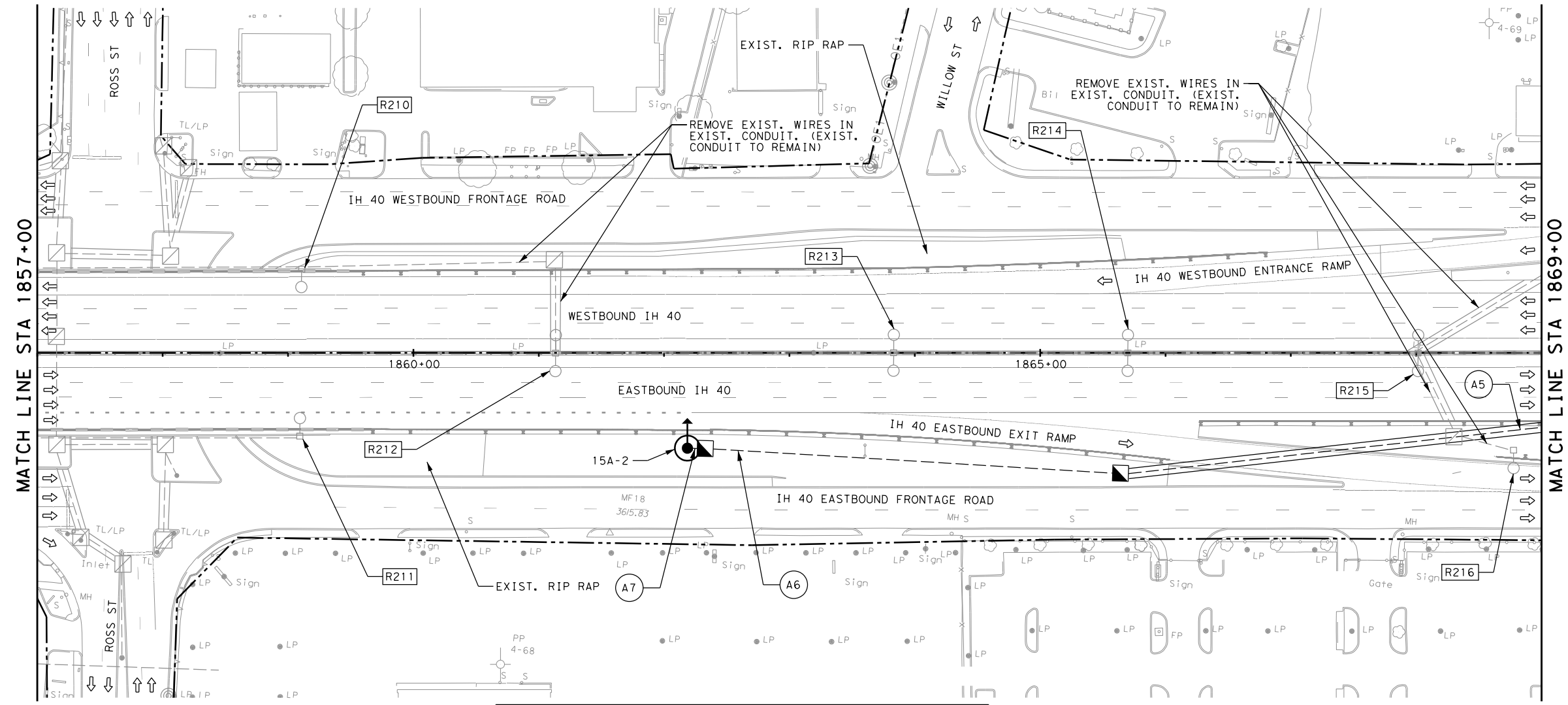
PLOTDRIVER: BW_HALF_PDF.plt
 PENTABLE: IH40_SWAI_pentTable.tbl
 USER: T_Cowser
 FILE: K:\01509\01509-002\7-10\TXDOT\AMA PS&E_IH 40\TRAFFIC\SWAI\SHTXX_SWAI_ILLUM_36.dgn
 DATE: 2/7/2024 9:47:47 AM

SCHEDULE OF CONDUIT AND CONDUCTORS											
ELEC. SERV. #	CIRCUIT LETTER	RUN NO.	LENGTH	CONDUIT (NO & LENGTH IN FEET)				CONDUCTOR (NO & LENGTH IN FEET)			
				2" PVC (TRENCH)		2" PVC (BORED)		#8 AWG (BARE)		#8 AWG (INSULATED)	
				EA	LF	EA	LF	EA	LF	EA	LF
15	A	5	380			1	380	1	380	2	760
15	A	6	350	1	350			1	350	2	700
15	A	7	10	1	10			1	10	2	20
TOTAL:				360	380	740	1480				

SCHEDULE OF ILLUMINATION POLE ASSEMBLIES						
POLE NO.	DESCRIPTION	CENTERLINE	STATION	OFFSET	60" DRILL SHAFT (LF)	4" CONC RIPRAP (CY)
15A-2	LED HI MST IL ASM (6 FIXT) (ASYM) (TY A) - (150T)	IH 40	1862+18.59	76.01 RT	46	3



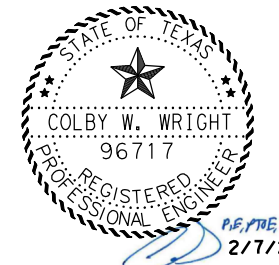
- LEGEND:**
- APPROX. ROW
 - EXIST. STANDARD ILLUM.
 - EXIST. DBL. STAN. ILLUM.
 - EXIST. UNDERPASS ILLUM.
 - R1 EXIST. ILLUM. POLES TO BE REMOVED
 - U1 EXIST. ILLUM. POLES TO BE UPGRADED TO LED FIXTURES
 - EXIST. CONDUIT
 - XX-X EXIST. HIGH MAST ILLUM. (6-LED ASYM FIXTURE)
 - PROP. ELECTRIC SERVICE POINT
 - PROP. TYPE A GROUND BOX WITH APRON
 - PROP. TYPE C GROUND BOX WITH APRON
 - PROP. ELECTRICAL CONDUIT BORED
 - PROP. ELECTRICAL CONDUIT RIGID METAL
 - XX-X PROP. UNDERPASS LIGHT FIX. (150' W. EQ LED) (TY 1)
 - PROP. DISCONNECT SWITCH
 - PROP. JUNCTION BOX
 - XX-X LUMINAIRE ID
 - LUMINAIRE NUMBER
 - CIRCUIT LETTER
 - SERVICE NUMBER



- GENERAL NOTES:**
- MATCH LINE AND ANNOTATION STATIONING IS BASED OFF IH 40.
 - ASSUMED N VALUE = 5 BLOWS/FT.
 - DISPOSE OF REPLACED LUMINAIRES PROPERLY.
 - ALL EXISTING WIRING AND CONDUIT IN BARRIER TO REMAIN AFTER EXISTING ILLUMINATION IS REMOVED.
 - THE QUANTITY FOR BID ITEM, 0690 6009 REMOVAL OF CABLES, IS DETERMINED BY THE LENGTH OF THE RUN. NO ADDITIONAL PAYMENT WILL BE MADE FOR REMOVAL OF MULTIPLE CABLES WITHIN A SINGLE RUN OF CONDUIT.

SUMMARY OF QUANTITIES			
ITEM	QUANTITY	UNIT	QUANTITY
0416 6026	DRILL SHAFT (HIGH MAST POLE) (60 IN)	LF	46
0432 6001	RIPRAP (CONC) (4 IN)	CY	3
0610 6008	REMOVE RD IL ASM (CTB MOUNT)	EA	6
0610 6009	REMOVE RD IL ASM (TRANS-BASE)	EA	1
0613 6006	HI MST IL POLE (150 FT) (100 MPH)	EA	1
0618 6046	CONDT (PVC) (SCH 80) (2")	LF	360
0618 6047	CONDT (PVC) (SCH 80) (2") (BORE)	LF	380
0620 6007	ELEC CONDR (NO. 8) BARE	LF	740
0620 6008	ELEC CONDR (NO. 8) INSULATED	LF	1480
0624 6002	GROUND BOX TY A (122311) W/APRON	EA	2
0690 6009	REMOVAL OF CABLES	LF	730
6156 6002	LED HI MST IL ASM (6 FIXT) (ASYM) (TY A)	EA	1

NO.	DATE	REVISION	APPROVED



ILLUMINATION LAYOUT
STA 1857+00 TO STA 1869+00

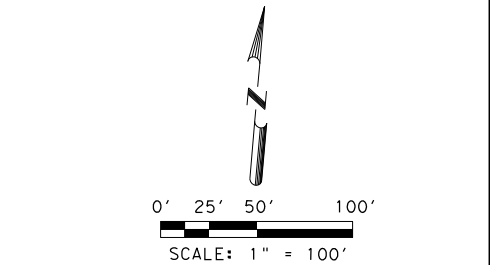
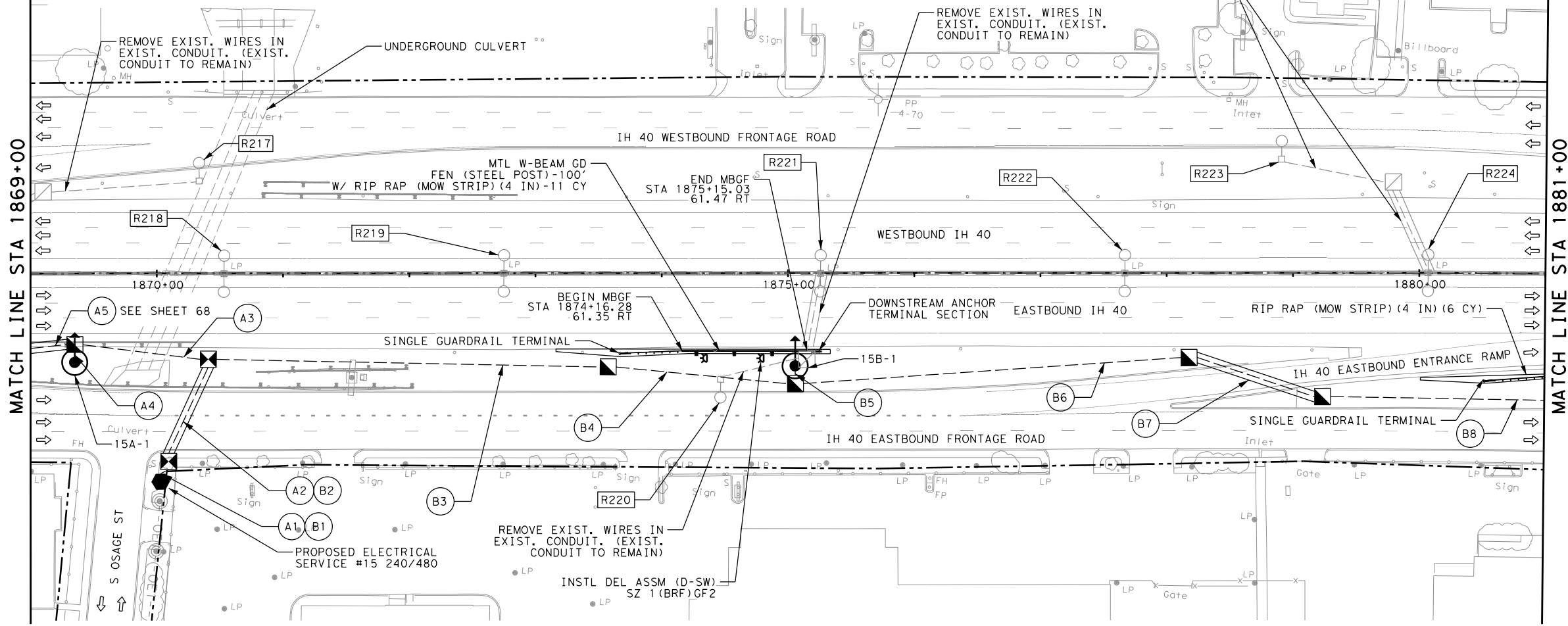
SHEET 36 OF 67

FED. RD. DIV. NO.	FEDERAL AID PROJECT NO.	HIGHWAY NO.
6	SEE TITLE SHEET	IH 40
STATE	DIST.	COUNTY
TEXAS	AMA	POTTER
CONT.	SECT.	JOB
0275	01	244

68

DATE: 2/7/2024 9:47:48 AM USER: T_Cowser
 FILE: K:\01509\01509-0027-10 TXDOT AMA PS&E IH 40 TRAFFIC SWA1\Sheets\P1_SHTXX_SWA1_ILLUM_37.dgn
 PLOT DRIVER: BW_HALF_PDF.plt PENTABLE: IH40_SWA1_pentTable.tbl

SCHEDULE OF ILLUMINATION POLE ASSEMBLIES						
POLE NO.	DESCRIPTION	CENTERLINE	STATION	OFFSET	60" DRILL SHAFT (LF)	4" CONC RIPRAP (CY)
15A-1	LED HI MST IL ASM (6 FIXT) (ASYM) (TY A) - (150T)	IH 40	1869+34.95	70.44 RT	46	3
15B-1	LED HI MST IL ASM (6 FIXT) (ASYM) (TY A) - (150T)	IH 40	1875+05.62	73.41 RT	46	3
TOTAL:					92	6



LEGEND:

- APPROX. ROW
- EXIST. STANDARD ILLUM.
- EXIST. DBL. STAN. ILLUM.
- EXIST. UNDERPASS ILLUM.
- [R1] ○ EXIST. ILLUM. POLES TO BE REMOVED
- [U1] ○ EXIST. ILLUM. POLES TO BE UPGRADED TO LED FIXTURES
- EXIST. CONDUIT
- XX-X ○ PROP. HIGH MAST ILLUM. (6-LED ASYM FIXTURE)
- PROP. ELECTRIC SERVICE POINT
- PROP. TYPE A GROUND BOX WITH APRON
- PROP. TYPE C GROUND BOX WITH APRON
- PROP. ELECTRICAL CONDUIT
- PROP. BORED ELECTRICAL CONDUIT
- PROP. ELECTRICAL CONDUIT RIGID METAL
- XX-X ○ PROP. UNDERPASS LIGHT FIX. (150' W. EQ LED) (TY 1)
- PROP. DISCONNECT SWITCH
- PROP. JUNCTION BOX
- XX-X ○ LUMINAIRE ID
- LUMINAIRE NUMBER
- CIRCLET LETTER
- SERVICE NUMBER

NO.	DATE	REVISION	APPROVED

- GENERAL NOTES:**
- MATCH LINE AND ANNOTATION STATIONING IS BASED OFF IH 40.
 - ASSUMED N VALUE = 5 BLOWS/FT.
 - DISPOSE OF REPLACED LUMINAIRES PROPERLY.
 - ALL EXISTING WIRING AND CONDUIT IN BARRIER TO REMAIN AFTER EXISTING ILLUMINATION IS REMOVED.
 - THE QUANTITY FOR BID ITEM, 0690 6009 REMOVAL OF CABLES, IS DETERMINED BY THE LENGTH OF THE RUN. NO ADDITIONAL PAYMENT WILL BE MADE FOR REMOVAL OF MULTIPLE CABLES WITHIN A SINGLE RUN OF CONDUIT.

SCHEDULE OF CONDUIT AND CONDUCTORS																		
ELEC. SERV. #	CIRCUIT LETTER	RUN NO.	LENGTH	CONDUIT (NO & LENGTH IN FEET)				CONDUCTOR (NO & LENGTH IN FEET)										
				2" PVC (TRENCH)		2" PVC (BORED)		#8 AWG (BARE)		#8 AWG (INSULATED)		#6 AWG (BARE)		#6 AWG (INSULATED)				
				EA	LF	EA	LF	EA	LF	EA	LF	EA	LF	EA	LF			
15	A	1	20	1	20			1	20	2	40							
15	A	2	90			1	90	1	90	2	180							
15	A	3	110	1	110			1	110	2	220							
15	A	4	10	1	10			1	10	2	20							
15	A	5		SEE SHEET 68														
15	B	1	20	1	20					1	20	2	40					
15	B	2	90			1	90					1	90	2	180			
15	B	3	310	1	310					1	310	2	620					
15	B	4	150	1	150					1	150	2	300					
15	B	5	10	1	10					1	10	2	20					
15	B	6	315	1	315					1	315	2	630					
15	B	7	115			1	115			1	115	2	230					
15	B	8	295	1	295					1	295	2	590					
TOTAL:					1240		295		230		460		1305		2610			

SUMMARY OF QUANTITIES			
ITEM	QUANTITY	UNIT	QUANTITY
0416 6026	DRILL SHAFT (HIGH MAST POLE) (60 IN)	LF	92
0432 6001	RIPRAP (CONC) (4 IN)	CY	6
0432 6045	RIPRAP (MOW STRIP) (4 IN)	CY	17
0540 6002	MTL W-BEAM GD FEN (STEEL POST)	LF	100
0540 6016	DOWNSTREAM ANCHOR TERMINAL SECTION	EA	1
0544 6001	GUARDRAIL END TREATMENT (INSTALL)	EA	2
0610 6008	REMOVE RD IL ASM (CTB MOUNT)	EA	5
0610 6009	REMOVE RD IL ASM (TRANS-BASE)	EA	3
0613 6006	HI MST IL POLE (150 FT) (100 MPH)	EA	2
0618 6046	CONDT (PVC) (SCH 80) (2")	LF	1240
0618 6047	CONDT (PVC) (SCH 80) (2") (BORE)	LF	295
0620 6007	ELEC CONDR (NO.8) BARE	LF	230
0620 6008	ELEC CONDR (NO.8) INSULATED	LF	460
0620 6009	ELEC CONDR (NO.6) BARE	LF	1305
0620 6010	ELEC CONDR (NO.6) INSULATED	LF	2610
0624 6002	GROUND BOX TY A (122311) W/APRON	EA	5
0624 6008	GROUND BOX TY C (162911) W/APRON	EA	2
0628 6045	ELC SRV TY A 240/480 060 (NS) SS (E) SP (O)	EA	1
0658 6061	INSTL DEL ASSM (D-SW) SZ 1 (BRF) GF2	EA	2
0690 6009	REMOVAL OF CABLES	LF	455
6156 6002	LED HI MST IL ASM (6 FIXT) (ASYM) (TY A)	EA	2



ILLUMINATION LAYOUT
STA 1869+00 TO STA 1881+00

SHEET 37 OF 67

FED. RD. DIV. NO.	FEDERAL AID PROJECT NO.	HIGHWAY NO.
6	SEE TITLE SHEET	IH 40
STATE	DIST.	COUNTY
TEXAS	AMA	POTTER
CONT.	SECT.	JOB
0275	01	244

69

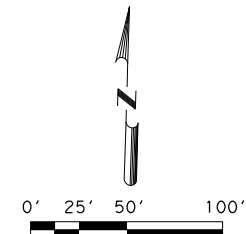
PLOTDRIVER: BW_HALF_PDF.plt
 PENTABLE: IH40_SWAI_penttable.tbl

USER: T_Cowser
 FILE: K:\01509\01509-002\7-10\TXDOT\AMA_PS&E_IH_40\TRAFFIC\SWAI\SHTXX_SWAI_ILLUM_38.dgn

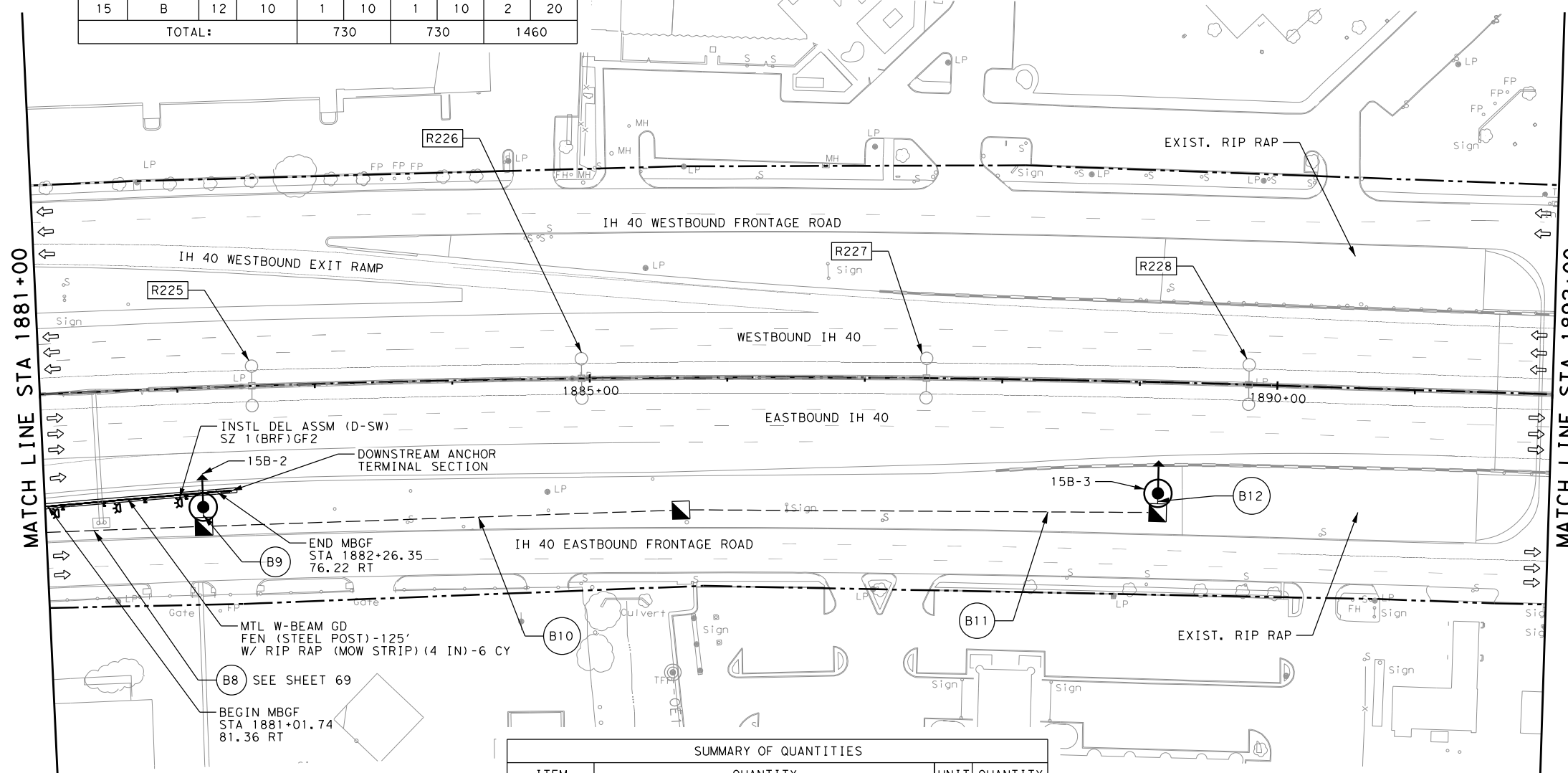
DATE: 2/7/2024 9:47:49 AM
 FILE: K:\01509\01509-002\7-10\TXDOT\AMA_PS&E_IH_40\TRAFFIC\SWAI\SHTXX_SWAI_ILLUM_38.dgn

SCHEDULE OF CONDUIT AND CONDUCTORS									
ELEC. SERV. #	CIRCUIT LETTER	RUN NO.	LENGTH	CONDUIT (NO & LENGTH IN FEET)		CONDUCTOR (NO & LENGTH IN FEET)			
				2" PVC (TRENCH)		#6 AWG (BARE)		#6 AWG (INSULATED)	
				EA	LF	EA	LF	EA	LF
15	B	8		SEE SHEET 69					
15	B	9	10	1	10	1	10	2	20
15	B	10	355	1	355	1	355	2	710
15	B	11	355	1	355	1	355	2	710
15	B	12	10	1	10	1	10	2	20
TOTAL:				730	730	1460			

SCHEDULE OF ILLUMINATION POLE ASSEMBLIES							
POLE NO.	DESCRIPTION	CENTERLINE	STATION	OFFSET	60" DRILL SHAFT (LF)	4" CONC RIPRAP (CY)	
15B-2	LED HI MST IL ASM (6 FIXT) (ASYM) (TY A) - (150T)	IH 40	1882+15.75	86.74 RT	46	3	
15B-3	LED HI MST IL ASM (6 FIXT) (ASYM) (TY A) - (150T)	IH 40	1889+15.14	80.76 RT	46	3	
TOTAL:					92	6	



- LEGEND:**
- APPROX. ROW
 - EXIST. STANDARD ILLUM.
 - EXIST. DBL. STAN. ILLUM.
 - EXIST. UNDERPASS ILLUM.
 - [R1] ○ EXIST. ILLUM. POLES TO BE REMOVED
 - [U1] ○ EXIST. ILLUM. POLES TO BE UPGRADED TO LED FIXTURES
 - EXIST. CONDUIT
 - XX-X ○ PROP. HIGH MAST ILLUM. (6-LED ASYM FIXTURE)
 - PROP. ELECTRIC SERVICE POINT
 - PROP. TYPE A GROUND BOX WITH APRON
 - PROP. TYPE C GROUND BOX WITH APRON
 - PROP. ELECTRICAL CONDUIT BORED
 - PROP. ELECTRICAL CONDUIT RIGID METAL
 - XX-X ○ PROP. UNDERPASS LIGHT FIX. (150' W. EQ LED) (TY 1)
 - PROP. DISCONNECT SWITCH
 - PROP. JUNCTION BOX
 - XX-X LUMINAIRE ID
 - LUMINAIRE NUMBER
 - CIRCUIT LETTER
 - SERVICE NUMBER



SUMMARY OF QUANTITIES				
ITEM	QUANTITY	UNIT	QUANTITY	
0416 6026	DRILL SHAFT (HIGH MAST POLE) (60 IN)	LF	92	
0432 6001	RIPRAP (CONC) (4 IN)	CY	6	
0432 6045	RIPRAP (MOW STRIP) (4 IN)	CY	6	
0540 6002	MTL W-BEAM GD FEN (STEEL POST)	LF	125	
0540 6016	DOWNSTREAM ANCHOR TERMINAL SECTION	EA	1	
0610 6008	REMOVE RD IL ASM (CTB MOUNT)	EA	4	
0613 6006	HI MST IL POLE (150 FT) (100 MPH)	EA	2	
0618 6046	CONDIT (PVC) (SCH 80) (2")	LF	730	
0620 6009	ELEC CONDR (NO. 6) BARE	LF	730	
0620 6010	ELEC CONDR (NO. 6) INSULATED	LF	1460	
0624 6002	GROUND BOX TY A (122311) W/APRON	EA	3	
0658 6061	INSTL DEL ASSM (D-SW) SZ 1 (BRF) GF2	EA	3	
6156 6002	LED HI MST IL ASM (6 FIXT) (ASYM) (TY A)	EA	2	

- GENERAL NOTES:**
- MATCH LINE AND ANNOTATION STATIONING IS BASED OFF IH 40.
 - ASSUMED N VALUE = 5 BLOWS/FT.
 - DISPOSE OF REPLACED LUMINAIRES PROPERLY.
 - ALL EXISTING WIRING AND CONDUIT IN BARRIER TO REMAIN AFTER EXISTING ILLUMINATION IS REMOVED.

NO.	DATE	REVISION	APPROVED

STATE OF TEXAS
 COLBY W. WRIGHT
 96717
 REGISTERED PROFESSIONAL ENGINEER
 P.E. # 2851
 2/7/2024



ILLUMINATION LAYOUT
 STA 1881+00 TO STA 1892+00

SHEET 38 OF 67

FED. RD. DIV. NO.	FEDERAL AID PROJECT NO.	HIGHWAY NO.	
6	SEE TITLE SHEET	IH 40	
STATE	DIST.	COUNTY	SHEET NO.
TEXAS	AMA	POTTER	70
CONT.	SECT.	JOB	
0275	01	244	

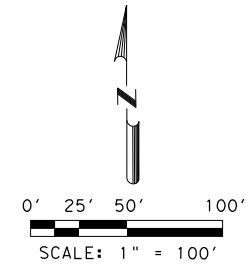
PLOTDRIVER: BW_HALF_PDF.plt
 PENTABLE: IH40_SWAI_pentTable.tbl

USER: T_Cowser
 FILE: K:\01509\01509-002\7-10\TXDOT\AMA PS&E_IH 40\TRAFFIC\SWAI\SHTXX_SWAI_ILLUM_39.dgn

DATE: 2/7/2024 9:47:50 AM
 FILE: K:\01509\01509-002\7-10\TXDOT\AMA PS&E_IH 40\TRAFFIC\SWAI\SHTXX_SWAI_ILLUM_39.dgn

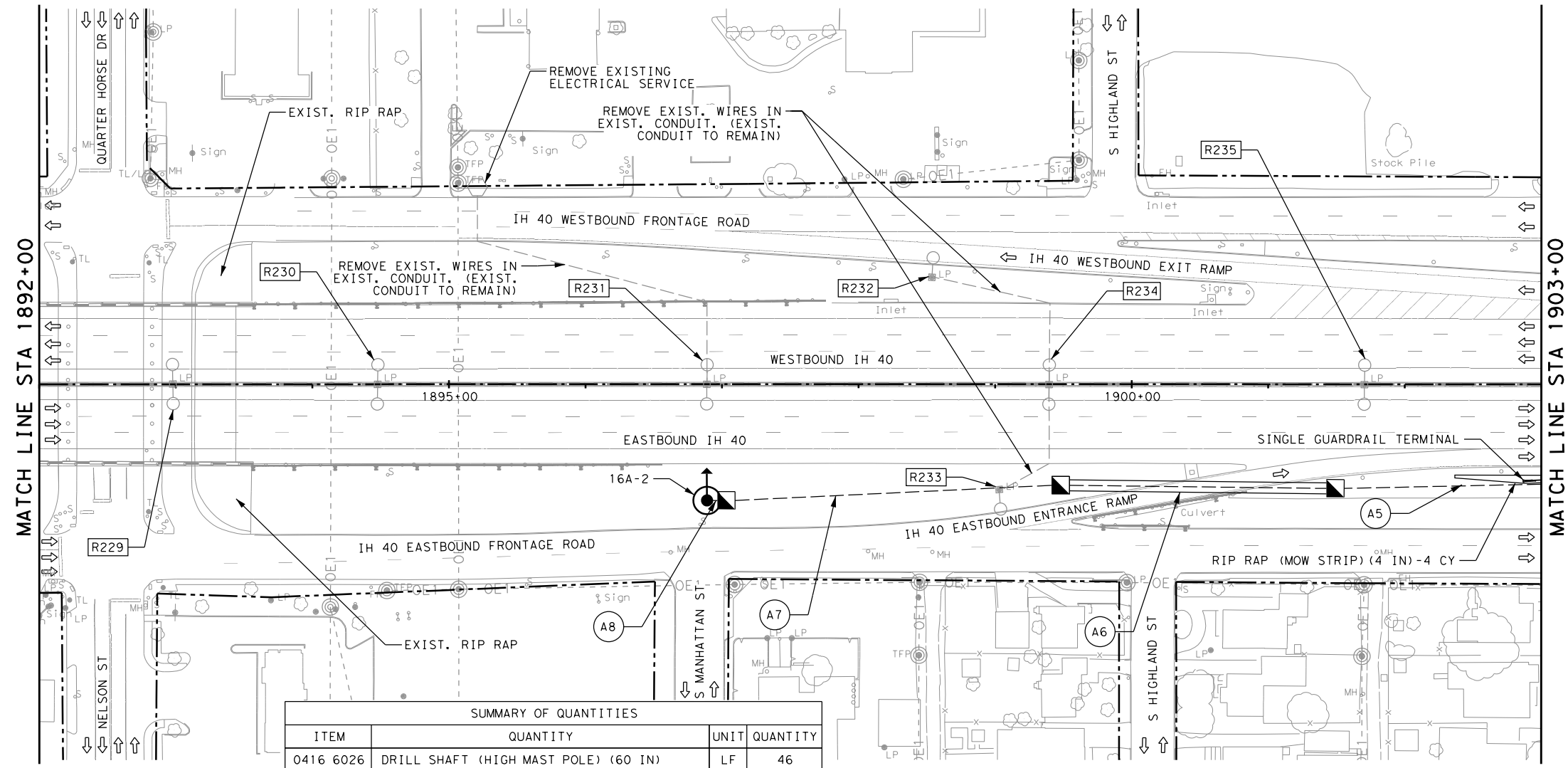
SCHEDULE OF CONDUIT AND CONDUCTORS											
ELEC. #	CIRCUIT LETTER	RUN NO.	LENGTH	CONDUIT (NO & LENGTH IN FEET)				CONDUCTOR (NO & LENGTH IN FEET)			
				618 6046		618 6047		620 6007		620 6008	
				EA	LF	EA	LF	EA	LF	EA	LF
16	A	5	280	1	280			1	280	2	560
16	A	6	205			1	205	1	205	2	410
16	A	7	260	1	260			1	260	2	520
16	A	8	10	1	10			1	10	2	20
TOTAL:				550	205	755	1510				

SCHEDULE OF ILLUMINATION POLE ASSEMBLIES							
POLE NO.	DESCRIPTION	CENTERLINE	STATION	OFFSET	60" DRILL SHAFT (LF)	4" CONC RIPRAP (CY)	
16A-2	LED HI MST IL ASM (6 FIXT) (ASYM) (TY A) (SHLD) - (150T)	IH 40	1896.88.99	85.12 RT	46	3	



LEGEND:

- APPROX. ROW
- EXIST. STANDARD ILLUM.
- EXIST. DBL. STAN. ILLUM.
- EXIST. UNDERPASS ILLUM.
- [R1] ○ EXIST. ILLUM. POLES TO BE REMOVED
- [U1] ○ EXIST. ILLUM. POLES TO BE UPGRADED TO LED FIXTURES
- EXIST. CONDUIT
- XX-X ○ PROP. HIGH MAST ILLUM. (6-LED ASYM FIXTURE)
- PROP. ELECTRIC SERVICE POINT
- PROP. TYPE A GROUND BOX WITH APRON
- PROP. TYPE C GROUND BOX WITH APRON
- PROP. ELECTRICAL CONDUIT
- PROP. BORED ELECTRICAL CONDUIT
- PROP. ELECTRICAL CONDUIT RIGID METAL
- XX-X ○ PROP. UNDERPASS LIGHT FIX. (150' W. EQ LED) (TY 1)
- PROP. DISCONNECT SWITCH
- PROP. JUNCTION BOX
- XX-X LUMINAIRE ID
- LUMINAIRE NUMBER
- CIRCUIT LETTER
- SERVICE NUMBER



SUMMARY OF QUANTITIES			
ITEM	QUANTITY	UNIT	QUANTITY
0416 6026	DRILL SHAFT (HIGH MAST POLE) (60 IN)	LF	46
0432 6001	RIPRAP (CONC) (4 IN)	CY	3
0432 6045	RIPRAP (MOW STRIP) (4 IN)	CY	4
0544 6001	GUARDRAIL END TREATMENT (INSTALL)	EA	1
0610 6008	REMOVE RD IL ASM (CTB MOUNT)	EA	5
0610 6009	REMOVE RD IL ASM (TRANS-BASE)	EA	2
0613 6006	HI MST IL POLE (150 FT) (100 MPH)	EA	1
0618 6046	COND (PVC) (SCH 80) (2")	LF	550
0618 6047	COND (PVC) (SCH 80) (2") (BORE)	LF	205
0620 6007	ELEC CONDR (NO.8) BARE	LF	755
0620 6008	ELEC CONDR (NO.8) INSULATED	LF	1510
0624 6002	GROUND BOX TY A (122311) W/APRON	EA	3
0628 6002	REMOVE ELECTRICAL SERVICES	EA	1
0690 6009	REMOVAL OF CABLES	LF	525
6156 6009	LED HI MST IL AM (6 FIXT) ASYM (TY A) SHLD	EA	1

- GENERAL NOTES:**
- MATCH LINE AND ANNOTATION STATIONING IS BASED OFF IH 40.
 - ASSUMED N VALUE = 5 BLOWS/FT.
 - DISPOSE OF REPLACED LUMINAIRES PROPERLY.
 - ALL EXISTING WIRING AND CONDUIT IN BARRIER TO REMAIN AFTER EXISTING ILLUMINATION IS REMOVED.
 - THE QUANTITY FOR BID ITEM, 0690 6009 REMOVAL OF CABLES, IS DETERMINED BY THE LENGTH OF THE RUN. NO ADDITIONAL PAYMENT WILL BE MADE FOR REMOVAL OF MULTIPLE CABLES WITHIN A SINGLE RUN OF CONDUIT.

NO.	DATE	REVISION	APPROVED



ILLUMINATION LAYOUT
STA 1892+00 TO STA 1903+00

SHEET 39 OF 67

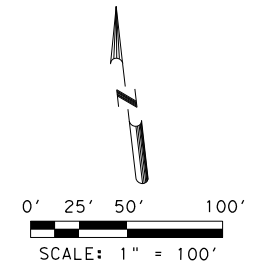
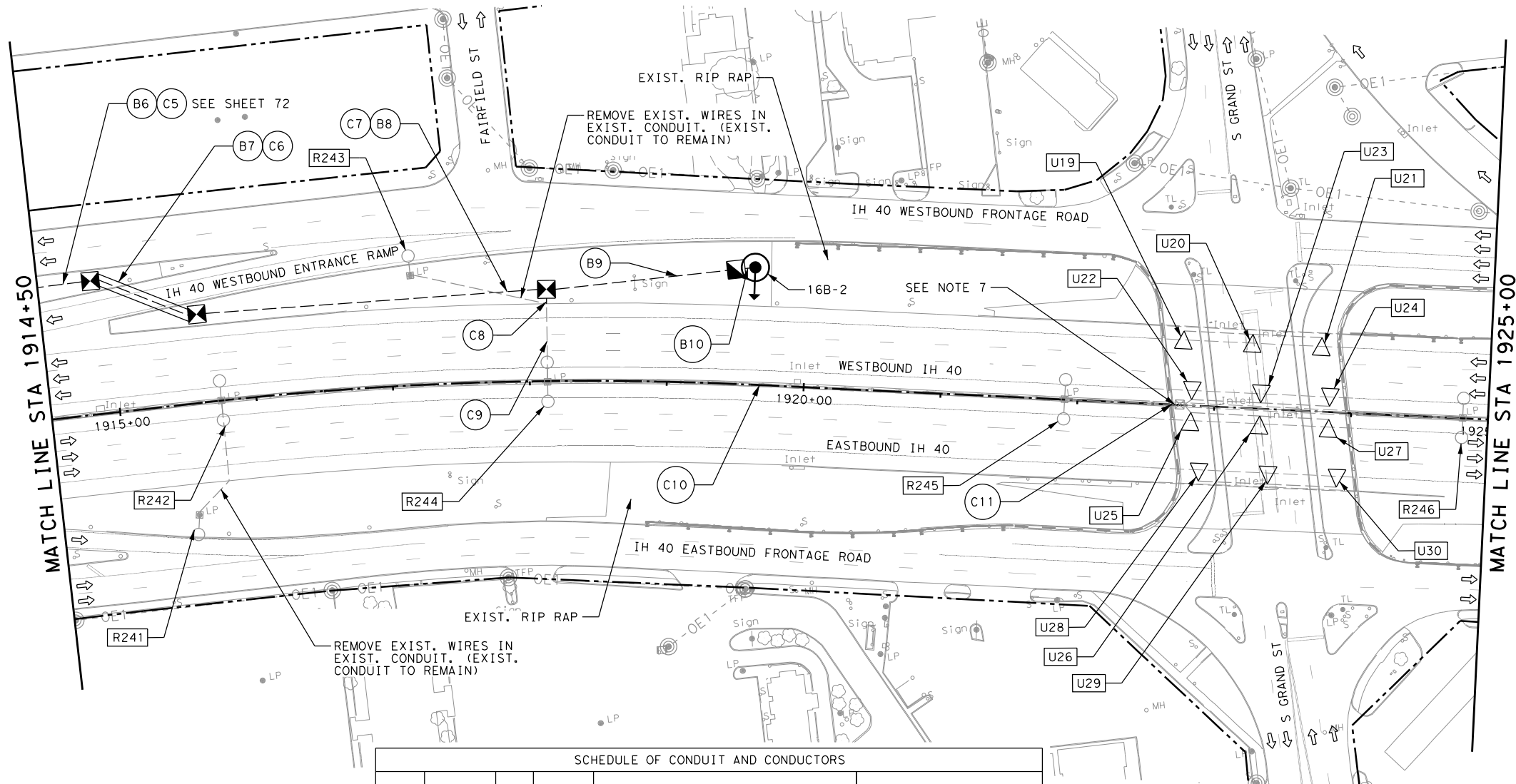
FED. RD. DIV. NO.	FEDERAL AID PROJECT NO.	HIGHWAY NO.	
6	SEE TITLE SHEET	IH 40	
STATE	DIST.	COUNTY	SHEET NO.
TEXAS	AMA	POTTER	71
CONT.	SECT.	JOB	
0275	01	244	

PLOTDRIVER: BW_HALF_PDF.plt
 PENTABLE: IH40_SWAI_penttable.tbl

USER: T_Cowser
 FILE: K:\01509\01509-002\7-10\TRAFFIC\SWAI\Shts\SWAI_P1_SHTXX_SWAI_ILLUM_41.dgn

DATE: 2/7/2024 9:47:52 AM
 FILE: K:\01509\01509-002\7-10\TRAFFIC\SWAI\Shts\SWAI_P1_SHTXX_SWAI_ILLUM_41.dgn

SCHEDULE OF ILLUMINATION POLE ASSEMBLIES						
POLE NO.	DESCRIPTION	CENTERLINE	STATION	OFFSET	60" DRILL SHAFT (LF)	4" CONC RIPRAP (CY)
16B-2	LED HI MST IL ASM (6 FIXT) (ASYM) (TY A) - (150T)	IH 40	1919+60.66	85.72 LT	46	3



LEGEND:

- APPROX. ROW
- EXIST. STANDARD ILLUM.
- EXIST. DBL. STAN. ILLUM.
- EXIST. UNDERPASS ILLUM.
- R1 ○ EXIST. ILLUM. POLES TO BE REMOVED
- U1 ○ EXIST. ILLUM. POLES TO BE UPGRADED TO LED FIXTURES
- EXIST. CONDUIT
- XX-X ○ PRO. HIGH MAST ILLUM. (6-LED ASYM FIXTURE)
- PRO. ELECTRIC SERVICE POINT
- PRO. TYPE A GROUND BOX WITH APRON
- PRO. TYPE C GROUND BOX WITH APRON
- PRO. ELECTRICAL CONDUIT
- PRO. BORED ELECTRICAL CONDUIT
- PRO. ELECTRICAL CONDUIT RIGID METAL
- XX-X ○ PRO. UNDERPASS LIGHT FIX. (150' W. EQ LED) (TY 1)
- PRO. DISCONNECT SWITCH
- PRO. JUNCTION BOX
- XX-X ○ LUMINAIRE ID
- LUMINAIRE NUMBER
- CIRCUIT LETTER
- SERVICE NUMBER

NO.	DATE	REVISION	APPROVED

STATE OF TEXAS
 COLBY W. WRIGHT
 96717
 REGISTERED PROFESSIONAL ENGINEER
 P.E. #1851
 2/7/2024

- GENERAL NOTES:**
- MATCH LINE AND ANNOTATION STATIONING IS BASED OFF IH 40.
 - ASSUMED N VALUE = 5 BLOWS/FT.
 - DISPOSE OF REPLACED LUMINAIRES PROPERLY.
 - EXISTING UNDERPASS LIGHTING TO BE UPGRADED TO LED FIXTURES THIS SHEET.
 - ALL EXISTING WIRING AND CONDUIT IN BARRIER TO REMAIN AFTER EXISTING ILLUMINATION IS REMOVED.
 - THE QUANTITY FOR BID ITEM, 0690 6009 REMOVAL OF CABLES, IS DETERMINED BY THE LENGTH OF THE RUN. NO ADDITIONAL PAYMENT WILL BE MADE FOR REMOVAL OF MULTIPLE CABLES WITHIN A SINGLE RUN OF CONDUIT.
 - RECONNECT EXISTING UNDERPASS LIGHTING CIRCUIT TO PROPOSED ELECTRICAL SERVICE #16 (SEE SHEET 72). UNDERPASS LIGHTING WILL CONNECT TO PROPOSED CIRCUIT C. IN RUNS C9, C10, AND C11, THE PROPOSED WIRING WILL USE THE EXISTING BORED CONDUIT UNDER IH 40, EXISTING CONDUIT INSIDE THE CONCRETE BARRIER, AND THE EXISTING RM CONDUIT CONNECTING THE CONCRETE BARRIER TO THE JUNCTION BOX, RESPECTIVELY.

SCHEDULE OF CONDUIT AND CONDUCTORS													
ELEC. SERV. #	CIRCUIT LETTER	RUN NO.	LENGTH	CONDUIT (NO & LENGTH IN FEET)				CONDUCTOR (NO & LENGTH IN FEET)					
				EXISTING CONDUIT		2" PVC (TRENCH)		2" PVC (BORED)		#8 AWG (BARE)		#8 AWG (INSULATED)	
				EA	LF	EA	LF	EA	LF	EA	LF	EA	LF
16	B	6		SEE SHEET 72									
16	B	7	85			1	85	1	85	2	170		
16	B	8	265	1	265			1	265	2	530		
16	B	9	160	1	160			1	160	2	320		
16	B	10	10	1	10			1	10	2	20		
16	C	5		SEE SHEET 72									
16	C	6	85			1	85	1	85	2	170		
16	C	7	265	1	265			1	265	2	530		
16	C	8	15	1	15			1	15	2	30		
16	C	9	60	X				1	60	2	120		
16	C	10	465	X				1	465	2	930		
16	C	11	40	X				1	40	2	80		
TOTAL:					715	170		1450	2900				

SUMMARY OF QUANTITIES			
ITEM	QUANTITY	UNIT	QUANTITY
0416 6026	DRILL SHAFT (HIGH MAST POLE) (60 IN)	LF	46
0432 6001	RIPRAP (CONC) (4 IN)	CY	3
0610 6008	REMOVE RD IL ASM (CTB MOUNT)	EA	4
0610 6009	REMOVE RD IL ASM (TRANS-BASE)	EA	2
0610 6101	REPLACE LUMINAIRE W/LED (150W EQ)	EA	12
0613 6006	HI MST IL POLE (150 FT) (100 MPH)	EA	1
0618 6046	CONDT (PVC) (SCH 80) (2")	LF	715
0618 6047	CONDT (PVC) (SCH 80) (2") (BORE)	LF	170
0620 6007	ELEC CONDR (NO. 8) BARE	LF	1450
0620 6008	ELEC CONDR (NO. 8) INSULATED	LF	2900
0624 6002	GROUND BOX TY A (122311) W/APRON	EA	1
0624 6008	GROUND BOX TY C (162911) W/APRON	EA	3
0690 6009	REMOVAL OF CABLES	LF	260
6156 6002	LED HI MST IL ASM (6 FIXT) (ASYM) (TY A)	EA	1



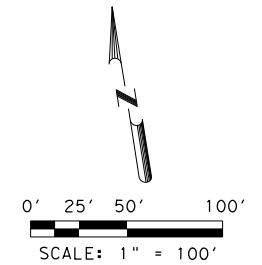
ILLUMINATION LAYOUT
 STA 1914+50 TO STA 1925+00

SHEET 41 OF 67

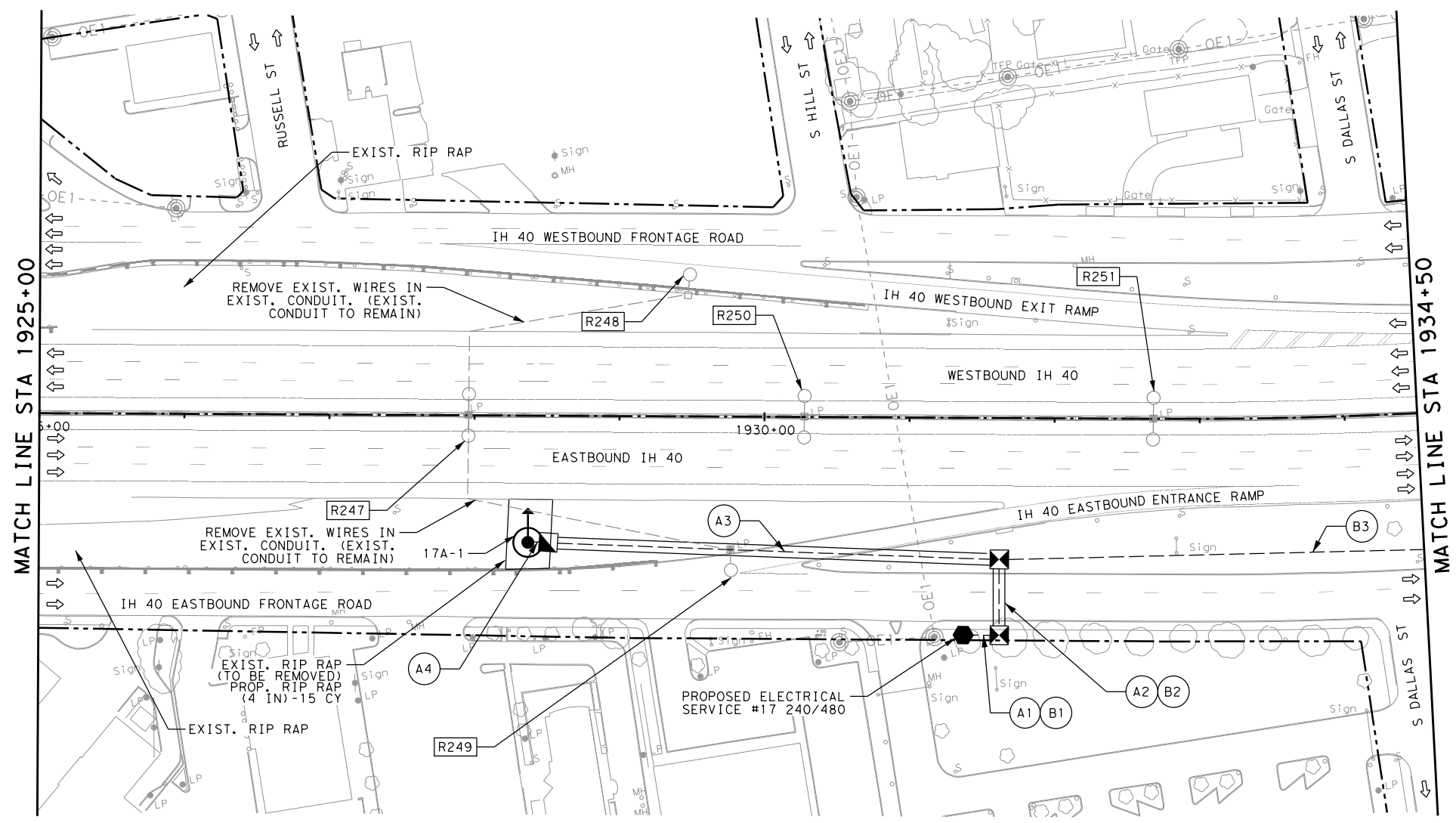
FED. RD. DIV. NO.	FEDERAL AID PROJECT NO.	HIGHWAY NO.	
6	SEE TITLE SHEET	IH 40	
STATE	DIST.	COUNTY	SHEET NO.
TEXAS	AMA	POTTER	73
CONT.	SECT.	JOB	
0275	01	244	

PLOTDRIVER: BW_HALF_PDF.plt
 PENTABLE: IH40_SWAI_penTable.tbl
 USER: T_Cowser
 DATE: 2/7/2024 9:47:53 AM
 FILE: K:\01509\01509-002\7-10\TXDOT\AMA\PS&E\IH 40\TRAFFIC\SWAI\Sheets\PI_SHTXX_SWAI_ILLUM_42.dgn

SCHEDULE OF ILLUMINATION POLE ASSEMBLIES						
POLE NO.	DESCRIPTION	CENTERLINE	STATION	OFFSET	60" DRILL SHAFT (LF)	4" CONC RIPRAP (CY)
17A-1	LED HI MST IL ASM (6 FIXT) (ASYM) (TY A) - (150T)	IH 40	1928+37.22	87.38 RT	46	3



- LEGEND:**
- APPROX. ROW
 - EXIST. STANDARD ILLUM.
 - EXIST. DBL. STAN. ILLUM.
 - EXIST. UNDERPASS ILLUM.
 - [R1] ○ EXIST. ILLUM. POLES TO BE REMOVED
 - [U1] ○ EXIST. ILLUM. POLES TO BE UPGRADED TO LED FIXTURES
 - EXIST. CONDUIT
 - XX-X ○ PRO. HIGH MAST ILLUM. (6-LED ASYM FIXTURE)
 - PRO. ELECTRIC SERVICE POINT
 - PRO. TYPE A GROUND BOX WITH APRON
 - PRO. TYPE C GROUND BOX WITH APRON
 - PRO. ELECTRICAL CONDUIT
 - === PRO. BORED ELECTRICAL CONDUIT
 - PRO. ELECTRICAL CONDUIT RIGID METAL
 - XX-X → PRO. UNDERPASS LIGHT FIX. (150' W. EQ LED) (TY 1)
 - PRO. DISCONNECT SWITCH
 - PRO. JUNCTION BOX
 - XX-X LUMINAIRE ID
 - └─┬─┘ LUMINAIRE NUMBER
 - └─┬─┘ CIRCUIT LETTER
 - └─┬─┘ SERVICE NUMBER

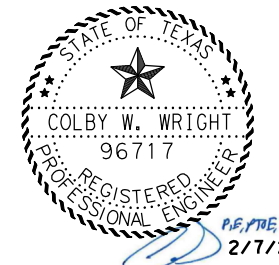


- GENERAL NOTES:**
- MATCH LINE AND ANNOTATION STATIONING IS BASED OFF IH 40.
 - ASSUMED N VALUE = 5 BLOWS/FT.
 - DISPOSE OF REPLACED LUMINAIRES PROPERLY.
 - ALL EXISTING WIRING AND CONDUIT IN BARRIER TO REMAIN AFTER EXISTING ILLUMINATION IS REMOVED.
 - THE QUANTITY FOR BID ITEM, 0690 6009 REMOVAL OF CABLES, IS DETERMINED BY THE LENGTH OF THE RUN. NO ADDITIONAL PAYMENT WILL BE MADE FOR REMOVAL OF MULTIPLE CABLES WITHIN A SINGLE RUN OF CONDUIT.
 - EXISTING RIP RAP PANEL TO BE REMOVED AND REPLACED AFTER PROPOSED HIGH MAST ILLUMINATION POLE IS INSTALLED.

ELEC. SERV. #	CIRCUIT LETTER	RUN NO.	LENGTH	SCHEDULE OF CONDUIT AND CONDUCTORS							
				CONDUIT (NO & LENGTH IN FEET)				CONDUCTOR (NO & LENGTH IN FEET)			
				2" PVC (TRENCH)		2" PVC (BORED)		#8 AWG (BARE)		#8 AWG (INSULATED)	
				EA	LF	EA	LF	EA	LF	EA	LF
17	A	1	25	1	25			1	25	2	50
17	A	2	55			1	55	1	55	2	110
17	A	3	325			1	325	1	325	2	650
17	A	4	10	1	10			1	10	2	20
17	B	1	25	1	25			1	25	2	50
17	B	2	55			1	55	1	55	2	110
17	B	3	450	1	450			1	450	2	900
TOTAL:				510	435	945	1890				

SUMMARY OF QUANTITIES			
ITEM	QUANTITY	UNIT	QUANTITY
0104 6009	REMOVING CONC (RIPRAP)	SY	161
0416 6026	DRILL SHAFT (HIGH MAST POLE) (60 IN)	LF	46
0432 6001	RIPRAP (CONC) (4 IN)	CY	18
0610 6008	REMOVE RD IL ASM (CTB MOUNT)	EA	3
0610 6009	REMOVE RD IL ASM (TRANS-BASE)	EA	2
0613 6006	HI MST IL POLE (150 FT) (100 MPH)	EA	1
0618 6046	COND (PVC) (SCH 80) (2")	LF	510
0618 6047	COND (PVC) (SCH 80) (2") (BORE)	LF	435
0620 6007	ELEC CONDR (NO. 8) BARE	LF	945
0620 6008	ELEC CONDR (NO. 8) INSULATED	LF	1890
0624 6002	GROUND BOX TY A (122311) W/APRON	EA	2
0624 6008	GROUND BOX TY C (162911) W/APRON	EA	2
0628 6045	ELC SRV TY A 240/480 060(NS)SS(E)SP(O)	EA	1
0690 6009	REMOVAL OF CABLES	LF	460
6156 6002	LED HI MST IL ASM (6 FIXT) (ASYM) (TY A)	EA	1

NO.	DATE	REVISION	APPROVED



ILLUMINATION LAYOUT
STA 1925+00 TO STA 1934+50

SHEET 42 OF 67

FED. RD. DIV. NO.	FEDERAL AID PROJECT NO.	HIGHWAY NO.
6	SEE TITLE SHEET	IH 40
STATE	DIST.	COUNTY
TEXAS	AMA	POTTER
CONT.	SECT.	JOB
0275	01	244

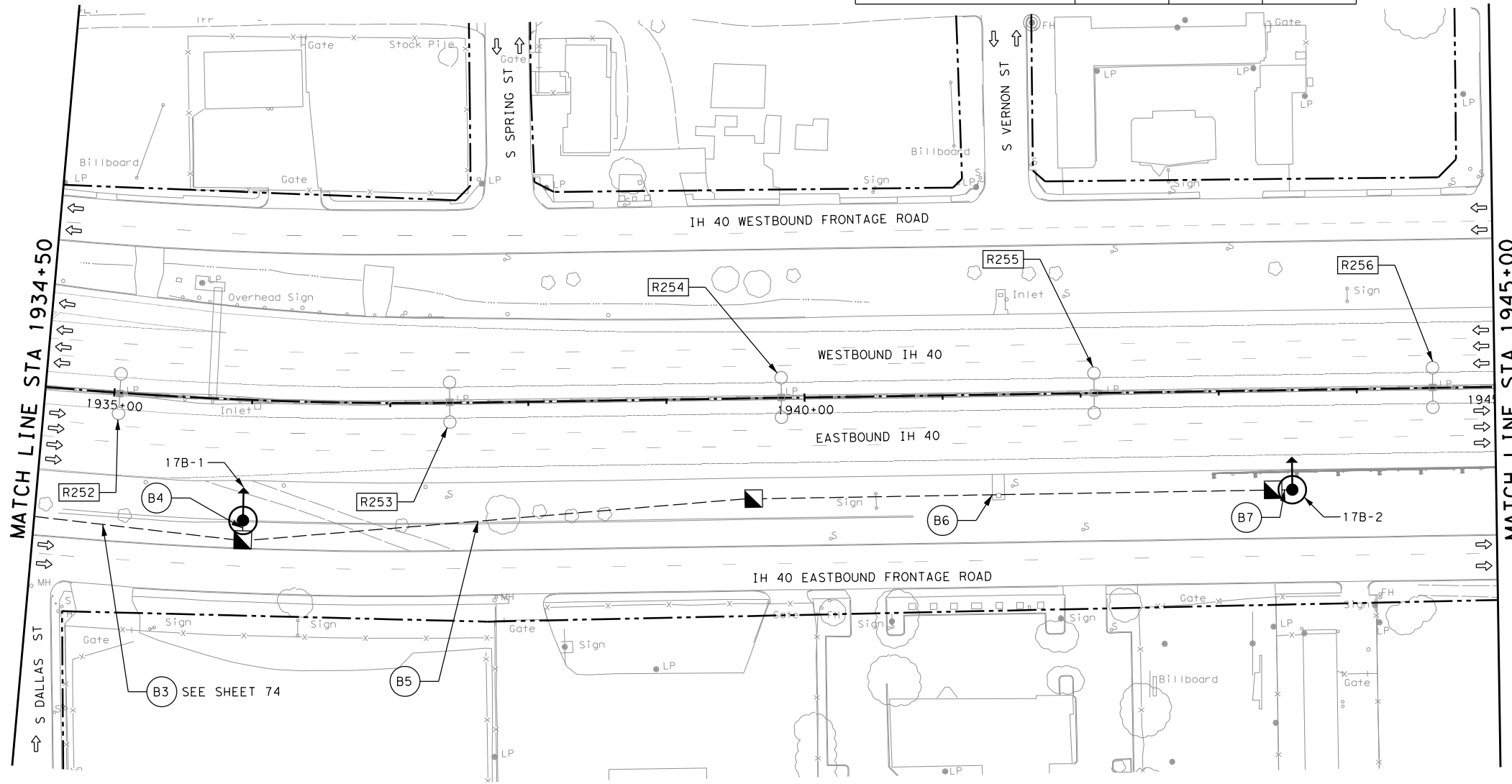
PLOTDRIVER: BW_HALF_PDF.plt
 PENTABLE: TH40_SWAI_penttable.tbl

USER: T_Cowser
 FILE: K:\01509\01509-002\7-10\TRAFFIC\SWAI\SHTXX_SWAI_ILLUM_43.dgn

DATE: 2/7/2024 9:47:54 AM
 FILE: K:\01509\01509-002\7-10\TRAFFIC\SWAI\SHTXX_SWAI_ILLUM_43.dgn

SCHEDULE OF ILLUMINATION POLE ASSEMBLIES						
POLE NO.	DESCRIPTION	CENTERLINE	STATION	OFFSET	60" DRILL SHAFT (LF)	4" CONC RIPRAP (CY)
17B-1	LED HI MST IL ASM (6 FIXT) (ASYM) (TY A) - (150T)	IH 40	1935+96.68	87.40 RT	46	3
17B-2	LED HI MST IL ASM (6 FIXT) (ASYM) (TY A) - (150T)	IH 40	1943+52.25	72.19 RT	46	3
TOTAL:					92	6

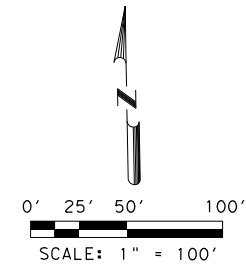
SCHEDULE OF CONDUIT AND CONDUCTORS										
ELEC. SERV. #	CIRCUIT LETTER	RUN NO.	LENGTH	CONDUIT (NO & LENGTH IN FEET)		CONDUCTOR (NO & LENGTH IN FEET)				
				2" PVC (TRENCH)		#8 AWG (BARE)		#8 AWG (INSULATED)		
				EA	LF	EA	LF	EA	LF	
17	B	3		SEE SHEET 74						
17	B	4	10	1	10	1	10	2	20	
17	B	5	375	1	375	1	375	2	750	
17	B	6	395	1	395	1	395	2	790	
17	B	7	10	1	10	1	10	2	20	
TOTAL:					790		790		1580	



SUMMARY OF QUANTITIES			
ITEM	QUANTITY	UNIT	QUANTITY
0416 6026	DRILL SHAFT (HIGH MAST POLE) (60 IN)	LF	92
0432 6001	RIPRAP (CONC) (4 IN)	CY	6
0610 6008	REMOVE RD IL ASM (CTB MOUNT)	EA	5
0613 6006	HI MST IL POLE (150 FT) (100 MPH)	EA	2
0618 6046	COND (PVC) (SCH 80) (2")	LF	790
0620 6007	ELEC CONDR (NO. 8) BARE	LF	790
0620 6008	ELEC CONDR (NO. 8) INSULATED	LF	1580
0624 6002	GROUND BOX TY A (122311) W/APRON	EA	3
6156 6002	LED HI MST IL ASM (6 FIXT) (ASYM) (TY A)	EA	2

GENERAL NOTES:

- MATCH LINE AND ANNOTATION STATIONING IS BASED OFF IH 40.
- ASSUMED N VALUE = 5 BLOWS/FT.
- DISPOSE OF REPLACED LUMINAIRES PROPERLY.
- ALL EXISTING WIRING AND CONDUIT IN BARRIER TO REMAIN AFTER EXISTING ILLUMINATION IS REMOVED.



- LEGEND:**
- APPROX. ROW
 - EXIST. STANDARD ILLUM.
 - EXIST. DBL. STAN. ILLUM.
 - EXIST. UNDERPASS ILLUM.
 - R1 EXIST. ILLUM. POLES TO BE REMOVED
 - U1 EXIST. ILLUM. POLES TO BE UPGRADED TO LED FIXTURES
 - EXIST. CONDUIT
 - PROP. HIGH MAST ILLUM. (6-LED ASYM FIXTURE)
 - PROP. ELECTRIC SERVICE POINT
 - PROP. TYPE A GROUND BOX WITH APRON
 - PROP. TYPE C GROUND BOX WITH APRON
 - PROP. ELECTRICAL CONDUIT
 - PROP. BORED ELECTRICAL CONDUIT
 - PROP. ELECTRICAL CONDUIT RIGID METAL
 - XX-X → PROP. UNDERPASS LIGHT FIX. (150' W. EQ LED) (TY 1)
 - PROP. DISCONNECT SWITCH
 - PROP. JUNCTION BOX
 - XX-X LUMINAIRE ID
 - LUMINAIRE NUMBER
 - CIRCUIT LETTER
 - SERVICE NUMBER

NO.	DATE	REVISION	APPROVED



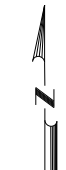
ILLUMINATION LAYOUT
STA 1934+50 TO STA 1945+00

FED. RD. DIV. NO.	FEDERAL AID PROJECT NO.	HIGHWAY NO.
6	SEE TITLE SHEET	IH 40
STATE	DIST.	COUNTY
TEXAS	AMA	POTTER
CONT.	SECT.	JOB
0275	01	244

SHEET 43 OF 67
75

SCHEDULE OF ILLUMINATION POLE ASSEMBLIES						
POLE NO.	DESCRIPTION	CENTERLINE	STATION	OFFSET	60" DRILL SHAFT (LF)	4" CONC RIPRAP (CY)
18A-3	LED HI MST IL ASM (6 FIXT) (ASYM) (TY A) - (125T)	IH 40	1952+13.58	74.43 LT	41	3

SCHEDULE OF CONDUIT AND CONDUCTORS									
ELEC. SERV. #	CIRCUIT LETTER	RUN NO.	LENGTH	CONDUIT (NO & LENGTH IN FEET)		CONDUCTOR (NO & LENGTH IN FEET)			
				2" PVC (TRENCH)		#8 AWG (BARE)		#8 AWG (INSULATED)	
				EA	LF	EA	LF	EA	LF
18	A	11	450	1	450	1	450	2	900
18	A	12	10	1	10	1	10	2	20
TOTAL:				460	460	460	460	920	

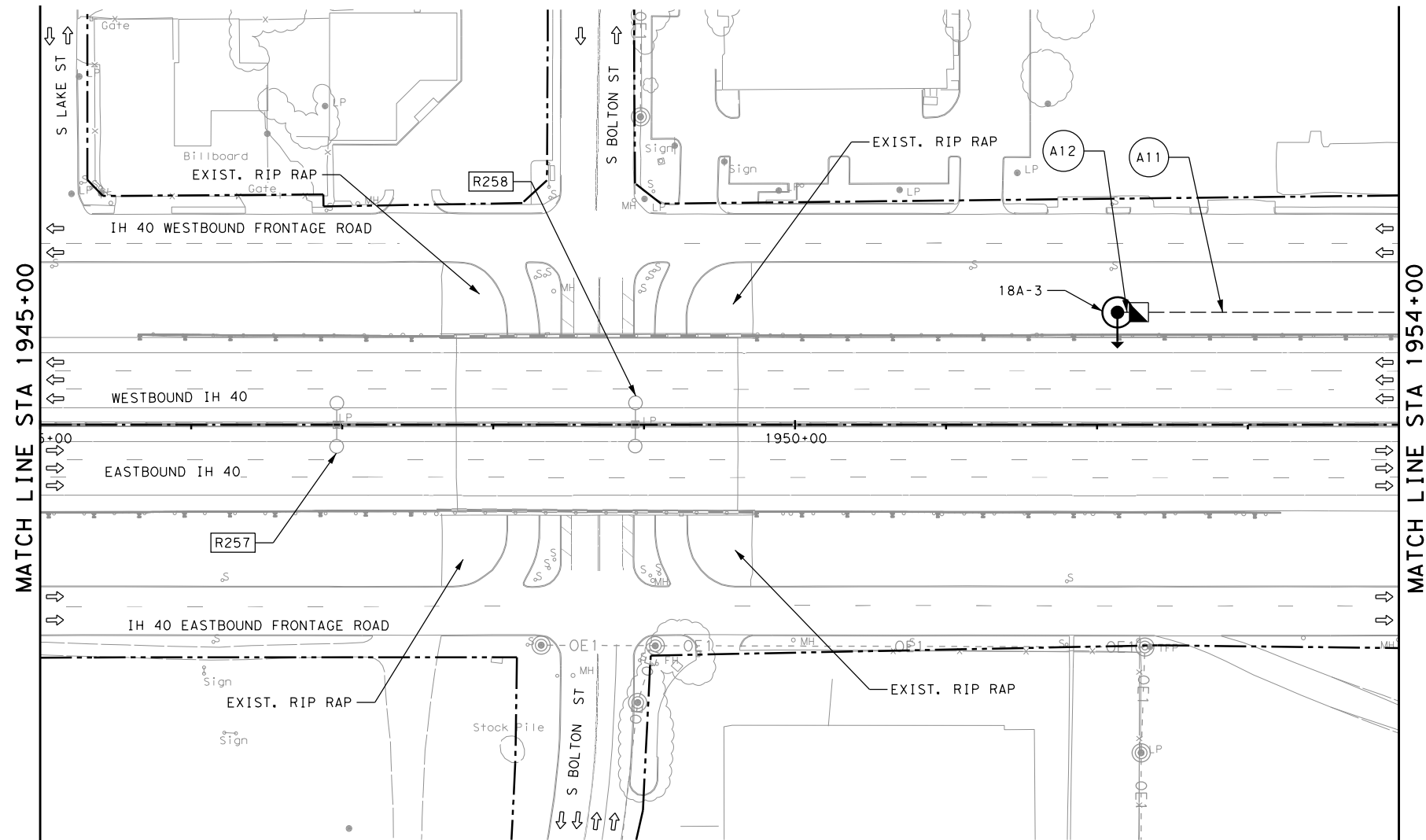


0' 25' 50' 100'

SCALE: 1" = 100'

LEGEND:


- APPROX. ROW
- EXIST. STANDARD ILLUM.
- EXIST. DBL. STAN. ILLUM.
- EXIST. UNDERPASS ILLUM.
- [R1] ○ EXIST. ILLUM. POLES TO BE REMOVED
- [U1] ○ EXIST. ILLUM. POLES TO BE UPGRADED TO LED FIXTURES
- EXIST. CONDUIT
- XX-X ○ PROP. HIGH MAST ILLUM. (6-LED ASYM FIXTURE)
- PROP. ELECTRIC SERVICE POINT
- PROP. TYPE A GROUND BOX WITH APRON
- PROP. TYPE C GROUND BOX WITH APRON
- PROP. ELECTRICAL CONDUIT BORED
- PROP. ELECTRICAL CONDUIT RIGID METAL
- XX-X ○ PROP. UNDERPASS LIGHT FIX. (150' W. EQ LED) (TY 1)
- PROP. DISCONNECT SWITCH
- PROP. JUNCTION BOX
- XX-X LUMINAIRE ID
- LUMINAIRE NUMBER
- CIRCUIT LETTER
- SERVICE NUMBER



SUMMARY OF QUANTITIES			
ITEM	QUANTITY	UNIT	QUANTITY
0416 6026	DRILL SHAFT (HIGH MAST POLE) (60 IN)	LF	41
0432 6001	RIPRAP (CONC) (4 IN)	CY	3
0610 6008	REMOVE RD IL ASM (CTB MOUNT)	EA	2
0613 6004	HI MST IL POLE (125 FT) (100 MPH)	EA	1
0618 6046	CONDT (PVC) (SCH 80) (2")	LF	460
0620 6007	ELEC CONDR (NO. 8) BARE	LF	460
0620 6008	ELEC CONDR (NO. 8) INSULATED	LF	920
0624 6002	GROUND BOX TY A (122311) W/APRON	EA	1
6156 6002	LED HI MST IL ASM (6 FIXT) (ASYM) (TY A)	EA	1

- GENERAL NOTES:
- MATCH LINE AND ANNOTATION STATIONING IS BASED OFF IH 40.
 - ASSUMED N VALUE = 5 BLOWS/FT.
 - DISPOSE OF REPLACED LUMINAIRES PROPERLY.
 - ALL EXISTING WIRING AND CONDUIT IN BARRIER TO REMAIN AFTER EXISTING ILLUMINATION IS REMOVED.

NO.	DATE	REVISION	APPROVED



P.E. PRE ASPI
2/7/2024



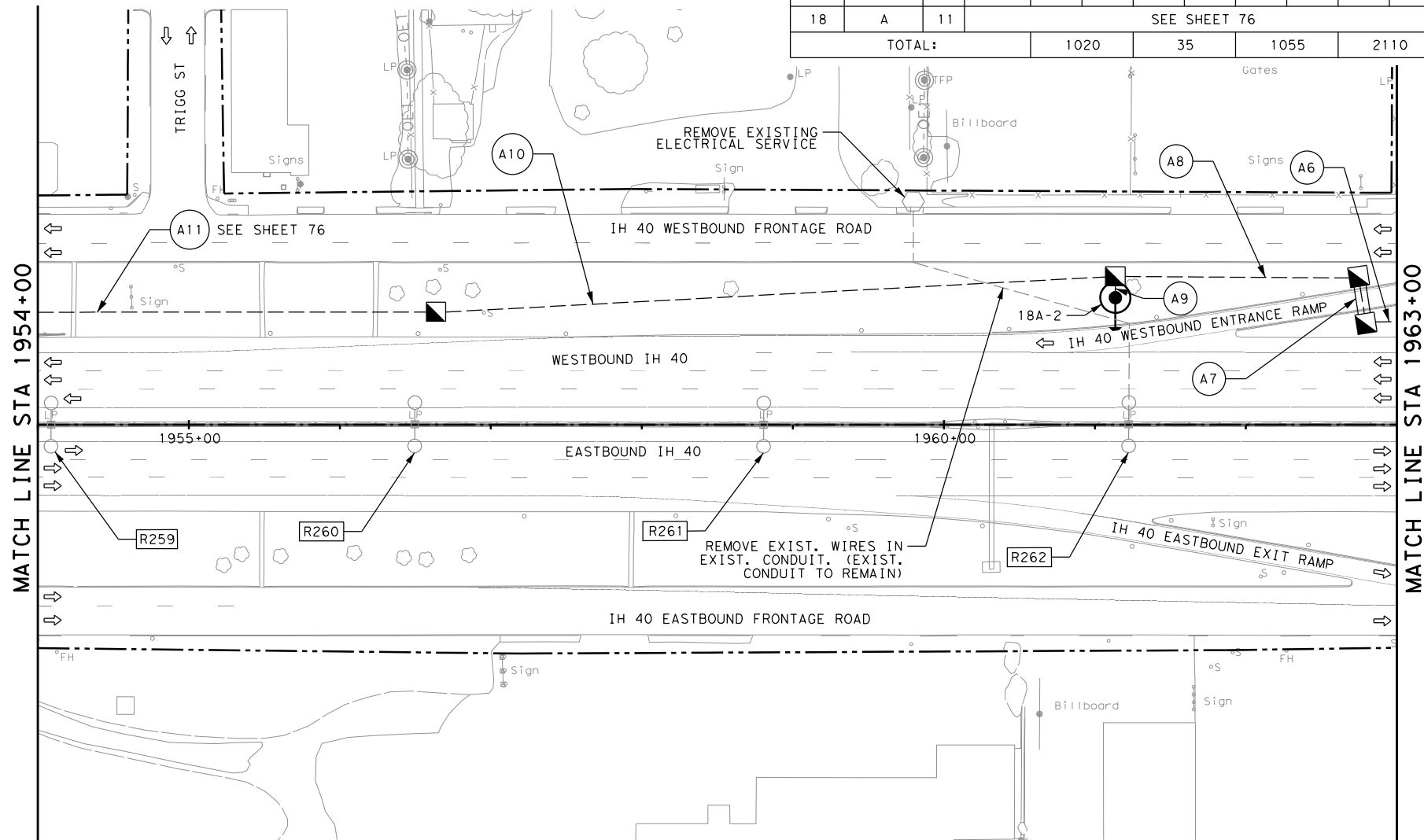
ILLUMINATION LAYOUT
 STA 1945+00 TO STA 1954+00

FED. RD. DIV. NO.	FEDERAL AID PROJECT NO.	HIGHWAY NO.
6	SEE TITLE SHEET	IH 40
STATE	DIST.	COUNTY
TEXAS	AMA	POTTER
CONT.	SECT.	JOB
0275	01	244

76

SCHEDULE OF ILLUMINATION POLE ASSEMBLIES						
POLE NO.	DESCRIPTION	CENTERLINE	STATION	OFFSET	60" DRILL SHAFT (LF)	4" CONC RIPRAP (CY)
18A-2	LED HI MST IL ASM (6 FIXT) (ASYM) (TY A) - (125T)	IH 40	1961+13.56	84.10 LT	41	3

SCHEDULE OF CONDUIT AND CONDUCTORS											
ELEC. SERV. #	CIRCUIT LETTER	RUN NO.	LENGTH	CONDUIT (NO & LENGTH IN FEET)				CONDUCTOR (NO & LENGTH IN FEET)			
				2" PVC (TRENCH)		2" PVC (BORED)		#8 AWG (BARE)		#8 AWG (INSULATED)	
				EA	LF	EA	LF	EA	LF	EA	LF
18	A	6	385	1	385			1	385	2	770
18	A	7	35			1	35	1	35	2	70
18	A	8	165	1	165			1	165	2	330
18	A	9	10	1	10			1	10	2	20
18	A	10	460	1	460			1	460	2	920
18	A	11	SEE SHEET 76								
TOTAL:					1020	35		1055		2110	



0' 25' 50' 100'
 SCALE: 1" = 100'

LEGEND:

- APPROX. ROW
- EXIST. STANDARD ILLUM.
- EXIST. DBL. STAN. ILLUM.
- △ EXIST. UNDERPASS ILLUM.
- R1 ○ EXIST. ILLUM. POLES TO BE REMOVED
- U1 ○ EXIST. ILLUM. POLES TO BE UPGRADED TO LED FIXTURES
- EXIST. CONDUIT
- XX-X ○ PROP. HIGH MAST ILLUM. (6-LED ASYM FIXTURE)
- PROP. ELECTRIC SERVICE POINT
- PROP. TYPE A GROUND BOX WITH APRON
- PROP. TYPE C GROUND BOX WITH APRON
- PROP. ELECTRICAL CONDUIT BORED
- PROP. ELECTRICAL CONDUIT RIGID METAL
- XX-X → PROP. UNDERPASS LIGHT FIX. (150' W. EQ LED) (TY 1)
- PROP. DISCONNECT SWITCH
- PROP. JUNCTION BOX
- XX-X LUMINAIRE ID
- LUMINAIRE NUMBER
- CIRCUIT LETTER
- SERVICE NUMBER

NO.	DATE	REVISION	APPROVED

P.E. THE ASPI
 2/7/2024



ILLUMINATION LAYOUT
 STA 1954+00 TO STA 1963+00

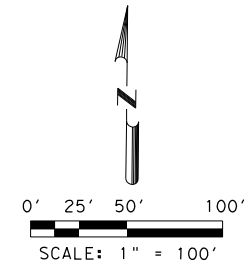
FED. RD. DIV. NO.	FEDERAL AID PROJECT NO.	HIGHWAY NO.
6	SEE TITLE SHEET	IH 40
STATE	DIST.	COUNTY
TEXAS	AMA	POTTER
CONT.	SECT.	JOB
0275	01	244

SHEET 45 OF 67
77

- GENERAL NOTES:**
- MATCH LINE AND ANNOTATION STATIONING IS BASED OFF IH 40.
 - ASSUMED N VALUE = 5 BLOWS/FT.
 - DISPOSE OF REPLACED LUMINAIRES PROPERLY.
 - ALL EXISTING WIRING AND CONDUIT IN BARRIER TO REMAIN AFTER EXISTING ILLUMINATION IS REMOVED.
 - THE QUANTITY FOR BID ITEM, 0690 6009 REMOVAL OF CABLES, IS DETERMINED BY THE LENGTH OF THE RUN. NO ADDITIONAL PAYMENT WILL BE MADE FOR REMOVAL OF MULTIPLE CABLES WITHIN A SINGLE RUN OF CONDUIT.

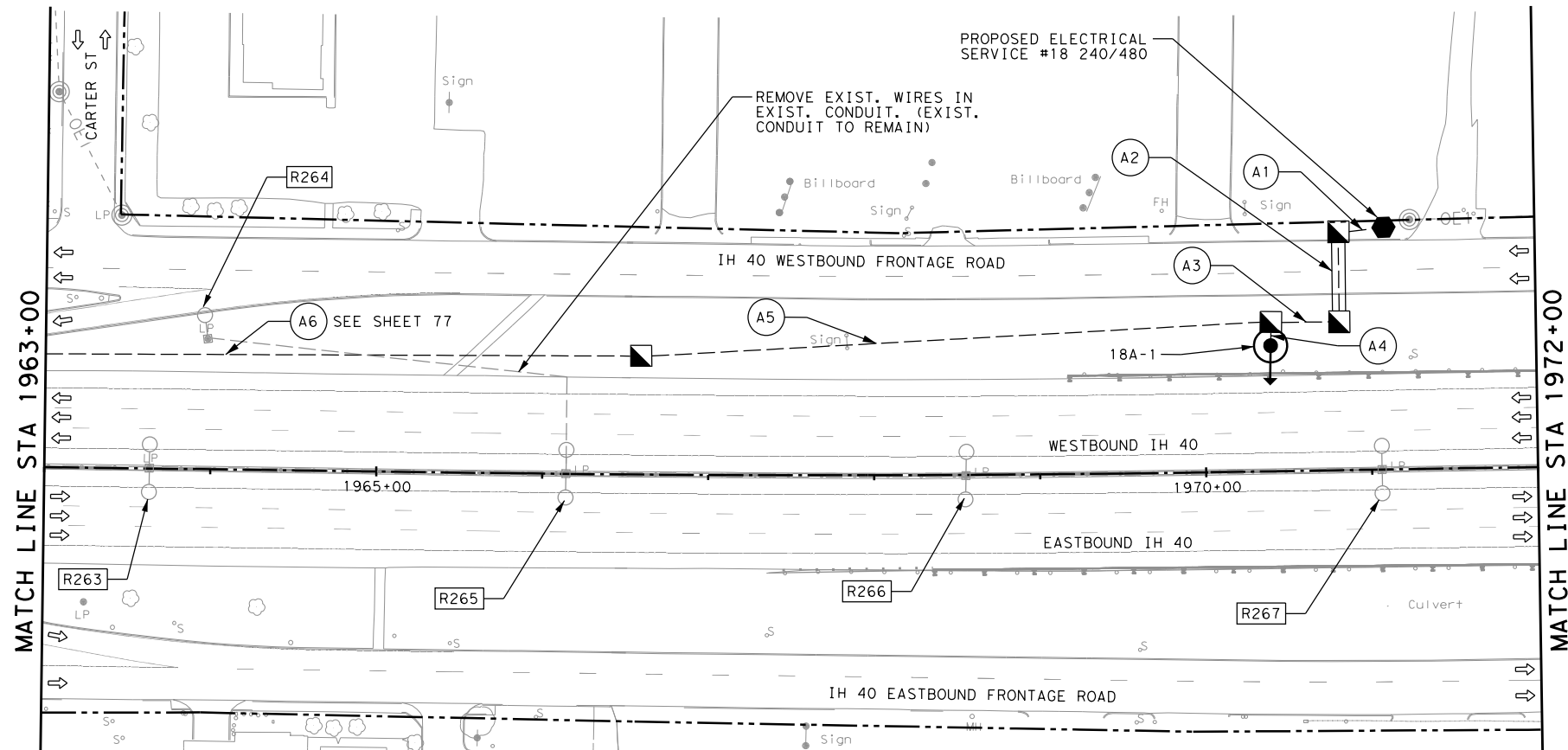
SUMMARY OF QUANTITIES			
ITEM	QUANTITY	UNIT	QUANTITY
0416 6026	DRILL SHAFT (HIGH MAST POLE) (60 IN)	LF	41
0432 6001	RIPRAP (CONC) (4 IN)	CY	3
0610 6008	REMOVE RD IL ASM (CTB MOUNT)	EA	4
0613 6004	HI MST IL POLE (125 FT) (100 MPH)	EA	1
0618 6046	CONDT (PVC) (SCH 80) (2")	LF	1020
0618 6047	CONDT (PVC) (SCH 80) (2") (BORE)	LF	35
0620 6007	ELEC CONDR (NO. 8) BARE	LF	1055
0620 6008	ELEC CONDR (NO. 8) INSULATED	LF	2110
0624 6002	GROUND BOX TY A (122311) W/APRON	EA	4
0628 6002	REMOVE ELECTRICAL SERVICES	EA	1
0690 6009	REMOVAL OF CABLES	LF	265
6156 6002	LED HI MST IL ASM (6 FIXT) (ASYM) (TY A)	EA	1

SCHEDULE OF ILLUMINATION POLE ASSEMBLIES						
POLE NO.	DESCRIPTION	CENTERLINE	STATION	OFFSET	60" DRILL SHAFT (LF)	4" CONC RIPRAP (CY)
18A-1	LED HI MST IL ASM (6 FIXT) (ASYM) (TY A) - (125T)	IH 40	1970+40.01	75.70 LT	41	3



LEGEND:

- APPROX. ROW
- EXIST. STANDARD ILLUM.
- EXIST. DBL. STAN. ILLUM.
- EXIST. UNDERPASS ILLUM.
- R1 EXIST. ILLUM. POLES TO BE REMOVED
- U1 EXIST. ILLUM. POLES TO BE UPGRADED TO LED FIXTURES
- EXIST. CONDUIT
- XX-X ○ PROPOSED HIGH MAST ILLUM. (6-LED ASYM FIXTURE)
- PROPOSED ELECTRIC SERVICE POINT
- PROPOSED TYPE A GROUND BOX WITH APRON
- PROPOSED TYPE C GROUND BOX WITH APRON
- PROPOSED ELECTRICAL CONDUIT BORED
- PROPOSED ELECTRICAL CONDUIT RIGID METAL
- XX-X ► PROPOSED UNDERPASS LIGHT FIX. (150' W. EQ LED) (TY 1)
- PROPOSED DISCONNECT SWITCH
- PROPOSED JUNCTION BOX
- XX-X LUMINAIRE ID
- ┌ LUMINAIRE NUMBER
- └ CIRCUIT LETTER
- └ SERVICE NUMBER

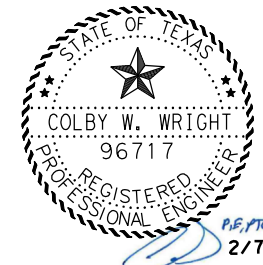


SCHEDULE OF CONDUIT AND CONDUCTORS													
ELEC. SERV. #	CIRCUIT LETTER	RUN NO.	LENGTH	CONDUIT (NO & LENGTH IN FEET)				CONDUCTOR (NO & LENGTH IN FEET)					
				2" PVC (TRENCH)		2" PVC (BORED)		#8 AWG (BARE)		#8 AWG (INSULATED)			
				EA	LF	EA	LF	EA	LF	EA	LF		
18	A	1	35	1	35			1	35	2	70		
18	A	2	55			1	55	1	55	2	110		
18	A	3	45	1	45			1	45	2	90		
18	A	4	10	1	10			1	10	2	20		
18	A	5	385	1	385			1	385	2	770		
18	A	6	SEE SHEET 77										
TOTAL:					475		55		530		1060		

SUMMARY OF QUANTITIES			
ITEM	QUANTITY	UNIT	QUANTITY
0416 6026	DRILL SHAFT (HIGH MAST POLE) (60 IN)	LF	41
0432 6001	RIPRAP (CONC) (4 IN)	CY	3
0610 6008	REMOVE RD IL ASM (CTB MOUNT)	EA	4
0610 6009	REMOVE RD IL ASM (TRANS-BASE)	EA	1
0613 6004	HI MST IL POLE (125 FT) (100 MPH)	EA	1
0618 6046	CONDT (PVC) (SCH 80) (2")	LF	475
0618 6047	CONDT (PVC) (SCH 80) (2") (BORE)	LF	55
0620 6007	ELEC CONDR (NO. 8) BARE	LF	530
0620 6008	ELEC CONDR (NO. 8) INSULATED	LF	1060
0624 6002	GROUND BOX TY A (122311) W/APRON	EA	4
0628 6045	ELC SRV TY A 240/480 060 (NS) SS (E) SP (O)	EA	1
0690 6009	REMOVAL OF CABLES	LF	280
6156 6002	LED HI MST IL ASM (6 FIXT) (ASYM) (TY A)	EA	1

- GENERAL NOTES:**
- MATCH LINE AND ANNOTATION STATIONING IS BASED OFF IH 40.
 - ASSUMED N VALUE = 5 BLOWS/FT.
 - DISPOSE OF REPLACED LUMINAIRES PROPERLY.
 - ALL EXISTING WIRING AND CONDUIT IN BARRIER TO REMAIN AFTER EXISTING ILLUMINATION IS REMOVED.
 - THE QUANTITY FOR BID ITEM, 0690 6009 REMOVAL OF CABLES, IS DETERMINED BY THE LENGTH OF THE RUN. NO ADDITIONAL PAYMENT WILL BE MADE FOR REMOVAL OF MULTIPLE CABLES WITHIN A SINGLE RUN OF CONDUIT.

NO.	DATE	REVISION	APPROVED



ILLUMINATION LAYOUT
 STA 1963+00 TO STA 1972+00

SHEET 46 OF 67

FED. RD. DIV. NO.	FEDERAL AID PROJECT NO.	HIGHWAY NO.
6	SEE TITLE SHEET	IH 40
STATE	DIST.	COUNTY
TEXAS	AMA	POTTER
CONT.	SECT.	JOB
0275	01	244

78

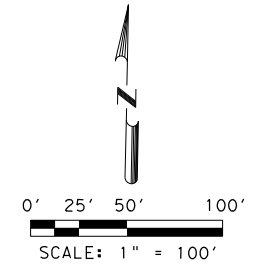
PLOTDRIVER: BW_HALF_PDF.plt
 PENTABLE: IH40_SWAI_pentTable.tbl

USER: T_Cowser
 FILE: K:\01509\01509-002\7-10\TXDOT\AMA PS&E_IH 40\TRAFFIC\SWAI_SHTXX_SWAI_ILLUM_47.dgn

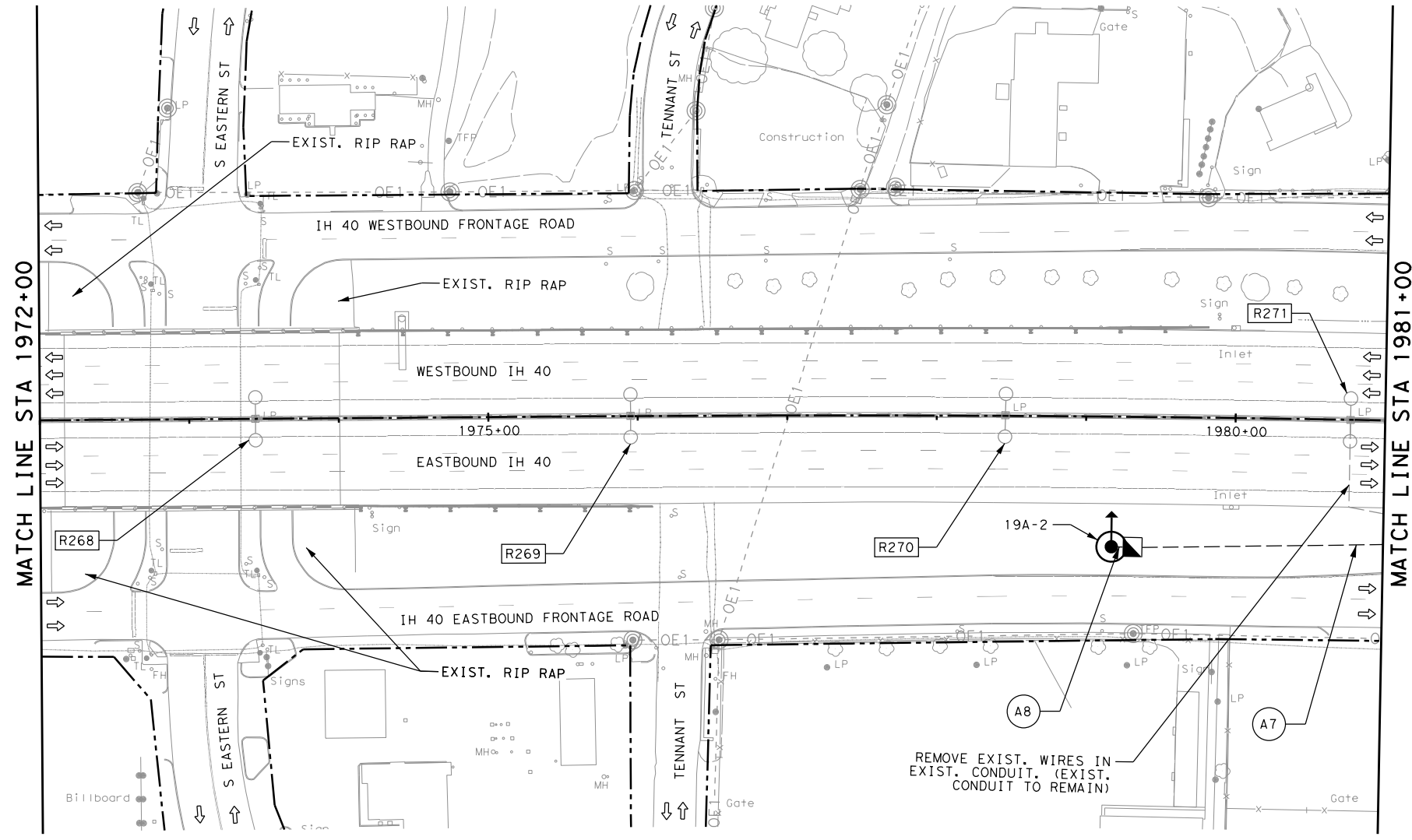
DATE: 2/7/2024 9:47:58 AM
 FILE: K:\01509\01509-002\7-10\TXDOT\AMA PS&E_IH 40\TRAFFIC\SWAI_SHTXX_SWAI_ILLUM_47.dgn

SCHEDULE OF CONDUIT AND CONDUCTORS									
ELEC. SERV. #	CIRCUIT LETTER	RUN NO.	LENGTH	CONDUIT (NO & LENGTH IN FEET)		CONDUCTOR (NO & LENGTH IN FEET)			
				2" PVC (TRENCH)		#8 AWG (BARE)		#8 AWG (INSULATED)	
				EA	LF	EA	LF	EA	LF
19	A	7	285	1	285	1	285	2	570
19	A	8	10	1	10	1	10	2	20
TOTAL:				295	295	295	295	590	

SCHEDULE OF ILLUMINATION POLE ASSEMBLIES						
POLE NO.	DESCRIPTION	CENTERLINE	STATION	OFFSET	60" DRILL SHAFT (LF)	4" CONC RIPRAP (CY)
19A-2	LED HI MST IL ASM (6 FIXT) (ASYM) (TY A) - (125T)	IH 40	1979+17.57	87.07 RT	41	3



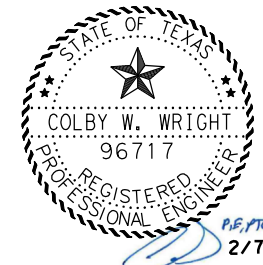
- LEGEND:**
- APPROX. ROW
 - EXIST. STANDARD ILLUM.
 - EXIST. DBL. STAN. ILLUM.
 - △ EXIST. UNDERPASS ILLUM.
 - [R1] ○ EXIST. ILLUM. POLES TO BE REMOVED
 - [U1] ○ EXIST. ILLUM. POLES TO BE UPGRADED TO LED FIXTURES
 - EXIST. CONDUIT
 - XX-X ○ PROP. HIGH MAST ILLUM. (6-LED ASYM FIXTURE)
 - PROP. ELECTRIC SERVICE POINT
 - PROP. TYPE A GROUND BOX WITH APRON
 - PROP. TYPE C GROUND BOX WITH APRON
 - PROP. ELECTRICAL CONDUIT
 - PROP. BORED ELECTRICAL CONDUIT
 - PROP. ELECTRICAL CONDUIT RIGID METAL
 - XX-X ○ PROP. UNDERPASS LIGHT FIX. (150' W. EQ LED) (TY 1)
 - PROP. DISCONNECT SWITCH
 - PROP. JUNCTION BOX
 - XX-X LUMINAIRE ID
 - LUMINAIRE NUMBER
 - CIRCUIT LETTER
 - SERVICE NUMBER



- GENERAL NOTES:**
- MATCH LINE AND ANNOTATION STATIONING IS BASED OFF IH 40.
 - ASSUMED N VALUE = 5 BLOWS/FT.
 - DISPOSE OF REPLACED LUMINAIRES PROPERLY.
 - ALL EXISTING WIRING AND CONDUIT IN BARRIER TO REMAIN AFTER EXISTING ILLUMINATION IS REMOVED.
 - THE QUANTITY FOR BID ITEM, 0690 6009 REMOVAL OF CABLES, IS DETERMINED BY THE LENGTH OF THE RUN. NO ADDITIONAL PAYMENT WILL BE MADE FOR REMOVAL OF MULTIPLE CABLES WITHIN A SINGLE RUN OF CONDUIT.

SUMMARY OF QUANTITIES				
ITEM	QUANTITY	UNIT	QUANTITY	
0416 6026	DRILL SHAFT (HIGH MAST POLE) (60 IN)	LF	41	
0432 6001	RIPRAP (CONC) (4 IN)	CY	3	
0610 6008	REMOVE RD IL ASM (CTB MOUNT)	EA	4	
0613 6004	HI MST IL POLE (125 FT) (100 MPH)	EA	1	
0618 6046	CONDT (PVC) (SCH 80) (2")	LF	295	
0620 6007	ELEC CONDR (NO. 8) BARE	LF	295	
0620 6008	ELEC CONDR (NO. 8) INSULATED	LF	590	
0624 6002	GROUND BOX TY A (122311) W/APRON	EA	1	
0690 6009	REMOVAL OF CABLES	LF	85	
6156 6002	LED HI MST IL ASM (6 FIXT) (ASYM) (TY A)	EA	1	

NO.	DATE	REVISION	APPROVED



ILLUMINATION LAYOUT
 STA 1972+00 TO STA 1981+00

SHEET 47 OF 67

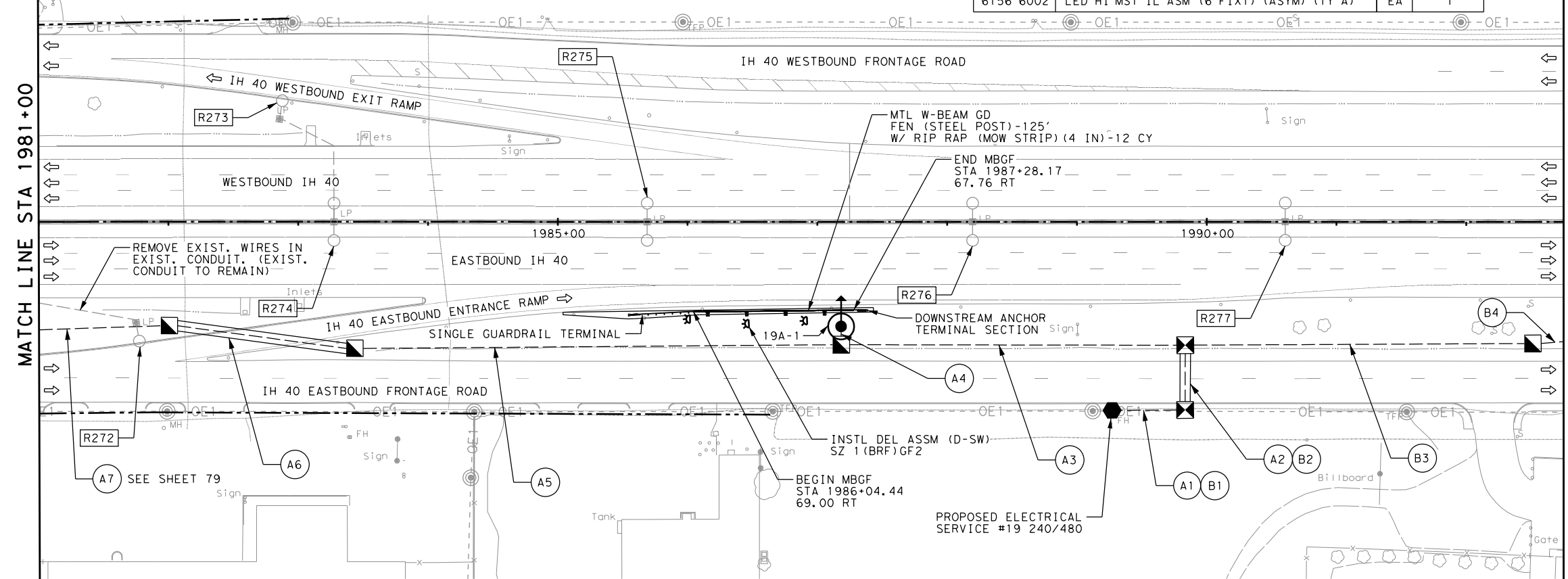
FED. RD. DIV. NO.	FEDERAL AID PROJECT NO.	HIGHWAY NO.
6	SEE TITLE SHEET	IH 40
STATE	DIST.	COUNTY
TEXAS	AMA	POTTER
CONT.	SECT.	JOB
0275	01	244

79

PLOTDRIVER: BW_HALF_PDF.plt
 PENTABLE: TH40_SWA1_penttable.tbl
 USER: T_Cowser
 FILE: K:\01509\01509-0027-10_1xDOT_AMA_PS&E_IH_40_TRAFFIC_SWA1_Sheets\PI_SHTXX_SWA1_Illum_48.dgn
 DATE: 2/7/2024 9:47:59 AM
 FILE: K:\01509\01509-0027-10_1xDOT_AMA_PS&E_IH_40_TRAFFIC_SWA1_Sheets\PI_SHTXX_SWA1_Illum_48.dgn

SCHEDULE OF CONDUIT AND CONDUCTORS													
ELEC. SERV. #	CIRCUIT LETTER	RUN NO.	LENGTH	CONDUIT (NO & LENGTH IN FEET)				CONDUCTOR (NO & LENGTH IN FEET)					
				618 6046		618 6047		620 6007		620 6008			
				2" PVC (TRENCH)		2" PVC (BORED)		#8 AWG (BARE)		#8 AWG (INSULATED)			
				EA	LF	EA	LF	EA	LF	EA	LF		
19	A	1	65	1	65			1	65	2	130		
19	A	2	55			1	55	1	55	2	110		
19	A	3	270	1	270			1	270	2	540		
19	A	4	10	1	10			1	10	2	20		
19	A	5	375	1	375			1	375	2	750		
19	A	6	145			1	145	1	145	2	290		
19	A	7	SEE SHEET 79										
19	B	1	65	1	65			1	65	2	130		
19	B	2	55			1	55	1	55	2	110		
19	B	3	270	1	270			1	270	2	540		
19	B	4	270	1	270			1	270	2	540		
TOTAL:				1325		255		1580		3160			

SUMMARY OF QUANTITIES			
ITEM	QUANTITY	UNIT	QUANTITY
0416 6026	DRILL SHAFT (HIGH MAST POLE) (60 IN)	LF	41
0432 6001	RIPRAP (CONC) (4 IN)	CY	3
0432 6045	RIPRAP (MOW STRIP) (4 IN)	CY	12
0540 6002	MTL W-BEAM GD FEN (STEEL POST)	LF	125
0540 6016	DOWNSTREAM ANCHOR TERMINAL SECTION	EA	1
0544 6001	GUARDRAIL END TREATMENT (INSTALL)	EA	1
0610 6008	REMOVE RD IL ASM (CTB MOUNT)	EA	4
0610 6009	REMOVE RD IL ASM (TRANS-BASE)	EA	2
0613 6004	HI MST IL POLE (125 FT) (100 MPH)	EA	1
0618 6046	CONDIT (PVC) (SCH 80) (2")	LF	1325
0618 6047	CONDIT (PVC) (SCH 80) (2") (BORE)	LF	255
0620 6007	ELEC CONDR (NO. 8) BARE	LF	1580
0620 6008	ELEC CONDR (NO. 8) INSULATED	LF	3160
0624 6002	GROUND BOX TY A (122311) W/APRON	EA	4
0624 6008	GROUND BOX TY C (162911) W/APRON	EA	2
0628 6045	ELC SRV TY A 240/480 060(NS)SS(E)SP(O)	EA	1
0658 6061	INSTL DEL ASSM (D-SW) SZ 1 (BRF) GF2	EA	3
0690 6009	REMOVAL OF CABLES	LF	195
6156 6002	LED HI MST IL ASM (6 FIXT) (ASYM) (TY A)	EA	1



GENERAL NOTES:

- MATCH LINE AND ANNOTATION STATIONING IS BASED OFF I H 40.
- ASSUMED N VALUE = 5 BLOWS/FT.
- DISPOSE OF REPLACED LUMINAIRES PROPERLY.
- ALL EXISTING WIRING AND CONDUIT IN BARRIER TO REMAIN AFTER EXISTING ILLUMINATION IS REMOVED.
- THE QUANTITY FOR BID ITEM, 0690 6009 REMOVAL OF CABLES, IS DETERMINED BY THE LENGTH OF THE RUN. NO ADDITIONAL PAYMENT WILL BE MADE FOR REMOVAL OF MULTIPLE CABLES WITHIN A SINGLE RUN OF CONDUIT.

SCHEDULE OF ILLUMINATION POLE ASSEMBLIES						
POLE NO.	DESCRIPTION	CENTERLINE	STATION	OFFSET	60" DRILL SHAFT (LF)	4" CONC RIPRAP (CY)
19A-1	LED HI MST IL ASM (6 FIXT) (ASYM) (TY A) - (125T)	IH 40	1987+18.31	80.62 RT	41	3

LEGEND:

- APPROX. ROW
- ● ○ ● EXIST. STANDARD ILLUM.
- ● ○ ● EXIST. DBL. STAN. ILLUM.
- ● ○ ● EXIST. UNDERPASS ILLUM.
- R1 ○ ● EXIST. ILLUM. POLES TO BE REMOVED
- U1 ○ ● EXIST. ILLUM. POLES TO BE UPGRADED TO LED FIXTURES
- EXIST. CONDUIT
- XX-X ○ ● PROP. HIGH MAST ILLUM. (6-LED ASYM FIXTURE)
- PROP. ELECTRIC SERVICE POINT
- ▲ PROP. TYPE A GROUND BOX WITH APRON
- ▣ PROP. TYPE C GROUND BOX WITH APRON
- PROP. ELECTRICAL CONDUIT
- === PROP. ELECTRICAL CONDUIT BORED
- PROP. ELECTRICAL CONDUIT RIGID METAL
- XX-X ○ ● PROP. UNDERPASS LIGHT FIX. (150' W. EQ LED) (TY 1)
- ◻ PROP. DISCONNECT SWITCH
- ◻ PROP. JUNCTION BOX
- XX-X ○ ● LUMINARE ID
- LUMINAIRE NUMBER
- CIRCUIT LETTER
- SERVICE NUMBER

NO.	DATE	REVISION	APPROVED



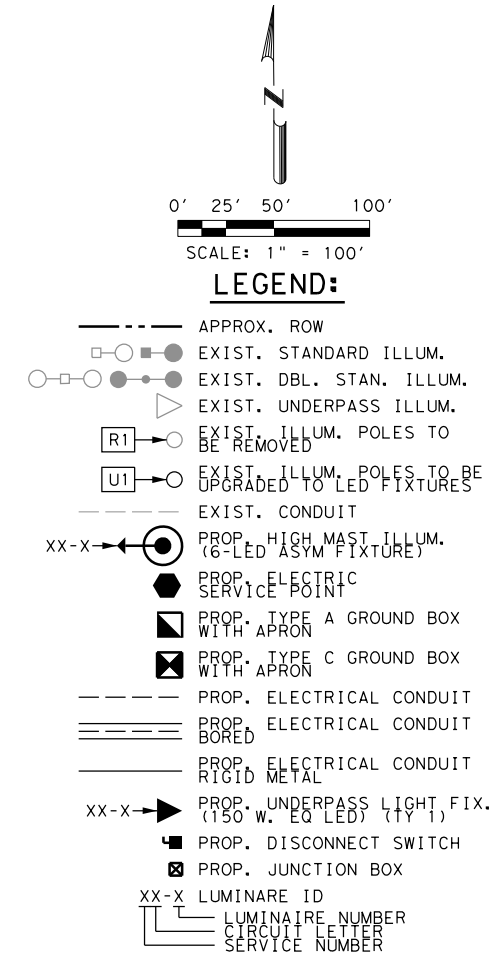
ILLUMINATION LAYOUT
STA 1981+00 TO STA 1992+75

SHEET 48 OF 67

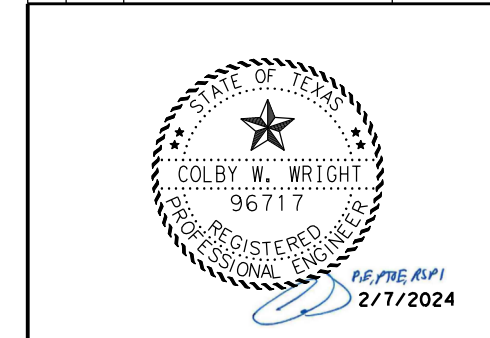
FED. RD. DIV. NO.	FEDERAL AID PROJECT NO.	HIGHWAY NO.	
6	SEE TITLE SHEET	IH 40	
STATE	DIST.	COUNTY	SHEET NO.
TEXAS	AMA	POTTER	80
CONT.	SECT.	JOB	
0275	01	244	

POLE NO.	DESCRIPTION	CENTERLINE	STATION	OFFSET	60" DRILL SHAFT (LF)	4" CONC RIPRAP (CY)
19B-1	LED HI MST IL ASM (6 FIXT) (ASYM) (TY A) - (125T)	IH 40	1995+18.58	87.76 RT	41	3
19B-2	LED HI MST IL ASM (6 FIXT) (ASYM) (TY A) - (125T)	IH 40	2003+86.01	87.78 RT	41	3
TOTAL:					82	6

ELEC. SERV. #	CIRCUIT LETTER	RUN NO.	LENGTH	CONDUIT (NO & LENGTH IN FEET)		CONDUCTOR (NO & LENGTH IN FEET)				
				2" PVC (TRENCH)		#8 AWG (BARE)		#8 AWG (INSULATED)		
				EA	LF	EA	LF	EA	LF	
19	B	4		SEE SHEET 80						
19	B	5	10	1	10	1	10	2	20	
19	B	6	395	1	395	1	395	2	790	
19	B	7	490	1	490	1	490	2	980	
19	B	8	10	1	10	1	10	2	20	
TOTAL:					905		905		1810	



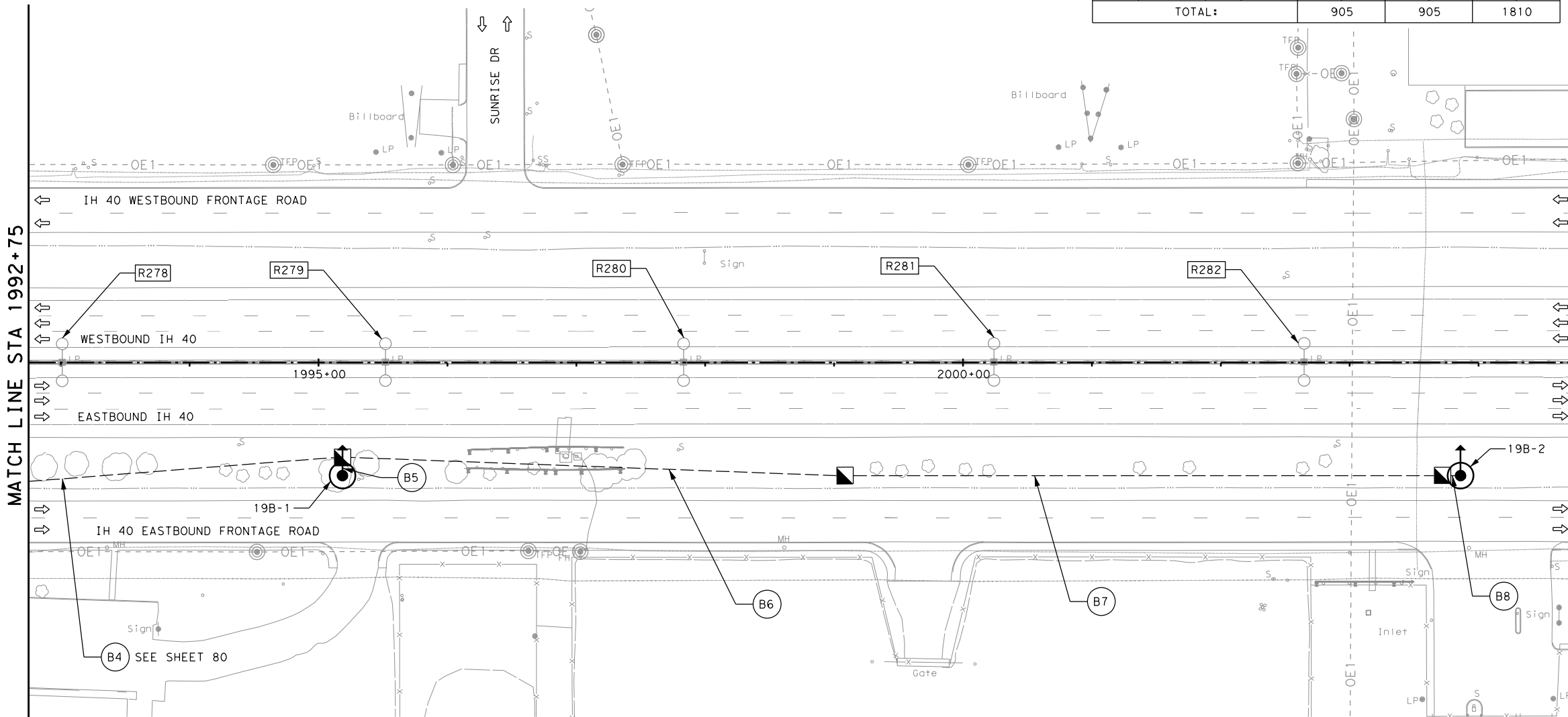
NO.	DATE	REVISION	APPROVED



ILLUMINATION LAYOUT
STA 1992+75 TO STA 2004+75

FED. RD. DIV. NO.	FEDERAL AID PROJECT NO.	HIGHWAY NO.
6	SEE TITLE SHEET	IH 40
STATE	DIST.	COUNTY
TEXAS	AMA	POTTER
CONT.	SECT.	JOB
0275	01	244

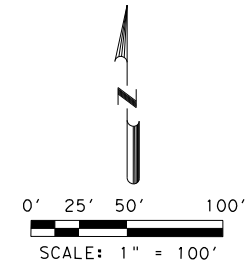
SHEET 49 OF 67
81



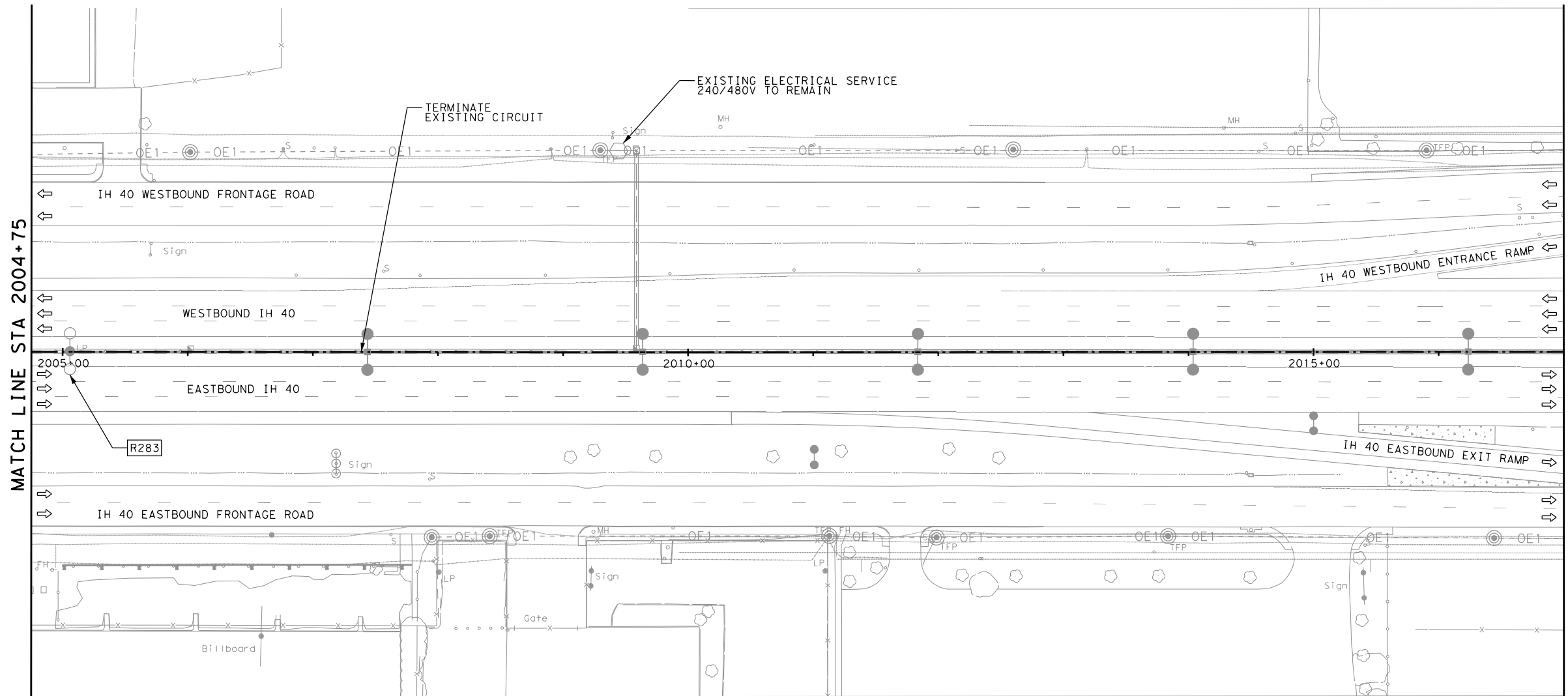
ITEM	QUANTITY	UNIT	QUANTITY
0416 6026	DRILL SHAFT (HIGH MAST POLE) (60 IN)	LF	82
0432 6001	RIPRAP (CONC) (4 IN)	CY	6
0610 6008	REMOVE RD IL ASM (CTB MOUNT)	EA	5
0613 6004	HI MST IL POLE (125 FT) (100 MPH)	EA	2
0618 6046	CONDT (PVC) (SCH 80) (2")	LF	905
0620 6007	ELEC CONDR (NO. 8) BARE	LF	905
0620 6008	ELEC CONDR (NO. 8) INSULATED	LF	1810
0624 6002	GROUND BOX TY A (122311) W/APRON	EA	3
6156 6002	LED HI MST IL ASM (6 FIXT) (ASYM) (TY A)	EA	2

- GENERAL NOTES:**
- MATCH LINE AND ANNOTATION STATIONING IS BASED OFF I-40.
 - ASSUMED N VALUE = 5 BLOWS/FT.
 - DISPOSE OF REPLACED LUMINAIRES PROPERLY.
 - ALL EXISTING WIRING AND CONDUIT IN BARRIER TO REMAIN AFTER EXISTING ILLUMINATION IS REMOVED.

SUMMARY OF QUANTITIES			
ITEM	QUANTITY	UNIT	QUANTITY
0610 6008	REMOVE RD IL ASM (CTB MOUNT)	EA	1



- LEGEND:**
- APPROX. ROW
 - EXIST. STANDARD ILLUM.
 - EXIST. DBL. STAN. ILLUM.
 - △ EXIST. UNDERPASS ILLUM.
 - [R1] EXIST. ILLUM. POLES TO BE REMOVED
 - [U1] EXIST. ILLUM. POLES TO BE UPGRADED TO LED FIXTURES
 - EXIST. CONDUIT
 - XX-X EXIST. HIGH MAST ILLUM. (6-LED ASYM FIXTURE)
 - PROP. ELECTRIC SERVICE POINT
 - PROP. TYPE A GROUND BOX WITH APRON
 - PROP. TYPE C GROUND BOX WITH APRON
 - PROP. ELECTRICAL CONDUIT BORED
 - PROP. ELECTRICAL CONDUIT RIGID METAL
 - XX-X PROP. UNDERPASS LIGHT FIX. (150' W. EQ LED) (TY 1)
 - PROP. DISCONNECT SWITCH
 - PROP. JUNCTION BOX
 - XX-X LUMINAIRE ID
 - ┌ LUMINAIRE NUMBER
 - └ CIRCUIT LETTER
 - └ SERVICE NUMBER



MATCH LINE STA 2004+75

MATCH LINE STA 2017+00

- GENERAL NOTES:**
- MATCH LINE AND ANNOTATION STATIONING IS BASED OFF R IH 40.
 - DISPOSE OF REPLACED LUMINAIRES PROPERLY.
 - EXISTING LUMINAIRES TO REMAIN THIS SHEET HAVE ALREADY BEEN UPGRADED TO LED FIXTURES.
 - ALL EXISTING WIRING AND CONDUIT IN BARRIER TO REMAIN AFTER EXISTING ILLUMINATION IS REMOVED.

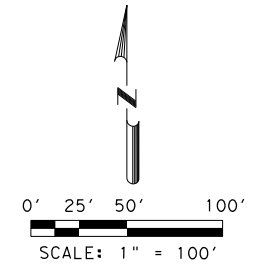
NO.	DATE	REVISION	APPROVED



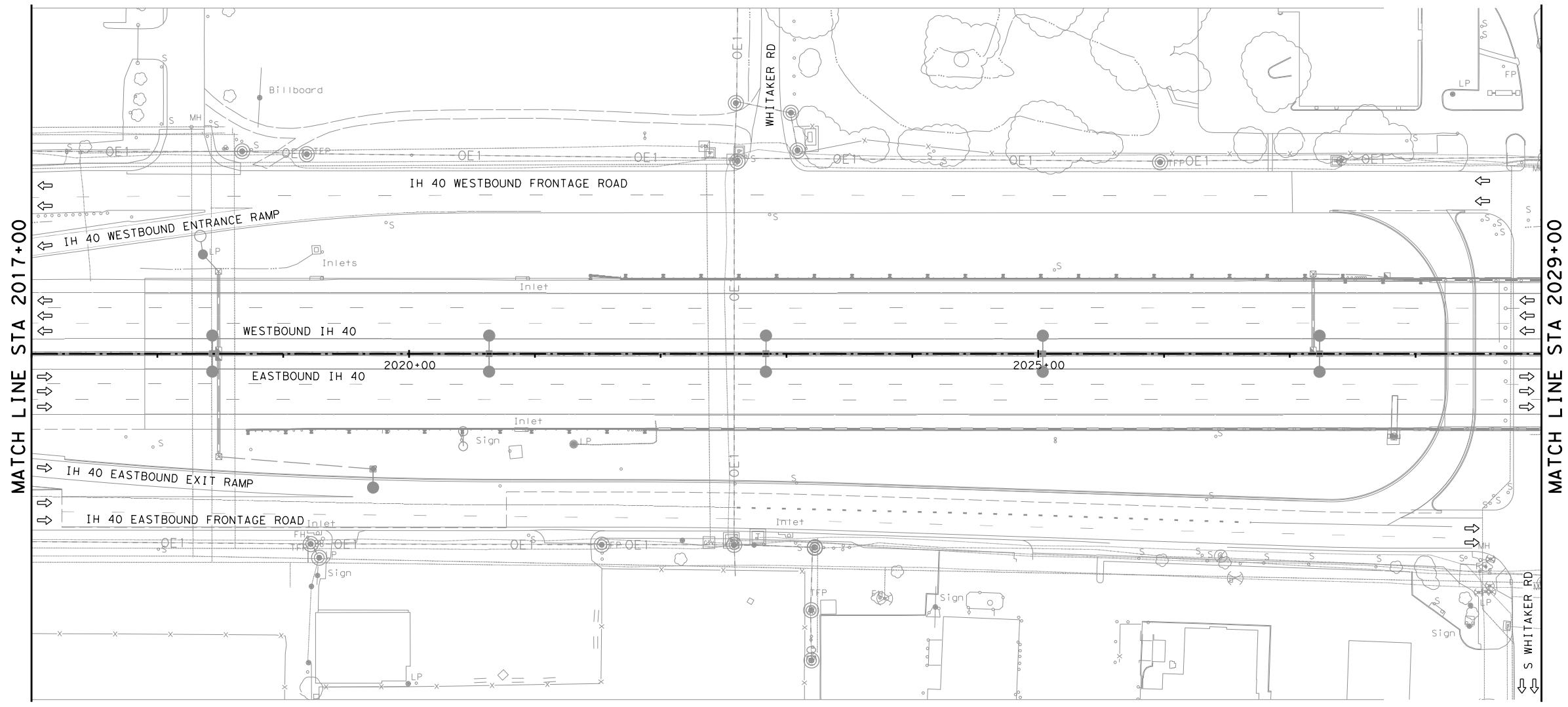
ILLUMINATION LAYOUT
STA 2004+75 TO STA 2017+00

FED. RD. DIV. NO.	FEDERAL AID PROJECT NO.	HIGHWAY NO.
6	SEE TITLE SHEET	IH 40
STATE	DIST.	COUNTY
TEXAS	AMA	POTTER
CONT.	SECT.	JOB
0275	01	244

SHEET 50 OF 67



- LEGEND:**
- APPROX. ROW
 - EXIST. STANDARD ILLUM.
 - EXIST. DBL. STAN. ILLUM.
 - EXIST. UNDERPASS ILLUM.
 - [R1] ○ EXIST. ILLUM. POLES TO BE REMOVED
 - [U1] ○ EXIST. ILLUM. POLES TO BE UPGRADED TO LED FIXTURES
 - EXIST. CONDUIT
 - XX-X ○ PROP. HIGH MAST ILLUM. (6-LED ASYM FIXTURE)
 - PROP. ELECTRIC SERVICE POINT
 - PROP. TYPE A GROUND BOX WITH APRON
 - PROP. TYPE C GROUND BOX WITH APRON
 - PROP. ELECTRICAL CONDUIT
 - === PROP. BORED ELECTRICAL CONDUIT
 - PROP. ELECTRICAL CONDUIT RIGID METAL
 - XX-X → PROP. UNDERPASS LIGHT FIX. (150' W. EQ LED) (TY 1)
 - PROP. DISCONNECT SWITCH
 - PROP. JUNCTION BOX
 - XX-X LUMINAIRE ID
 - LUMINAIRE NUMBER
 - CIRCUIT LETTER
 - SERVICE NUMBER



- GENERAL NOTES:
1. MATCH LINE AND ANNOTATION STATIONING IS BASED OFF R IH 40.
 2. EXISTING LUMINAIRES TO REMAIN THIS SHEET HAVE ALREADY BEEN UPGRADED TO LED FIXTURES.

NO WORK THIS SHEET

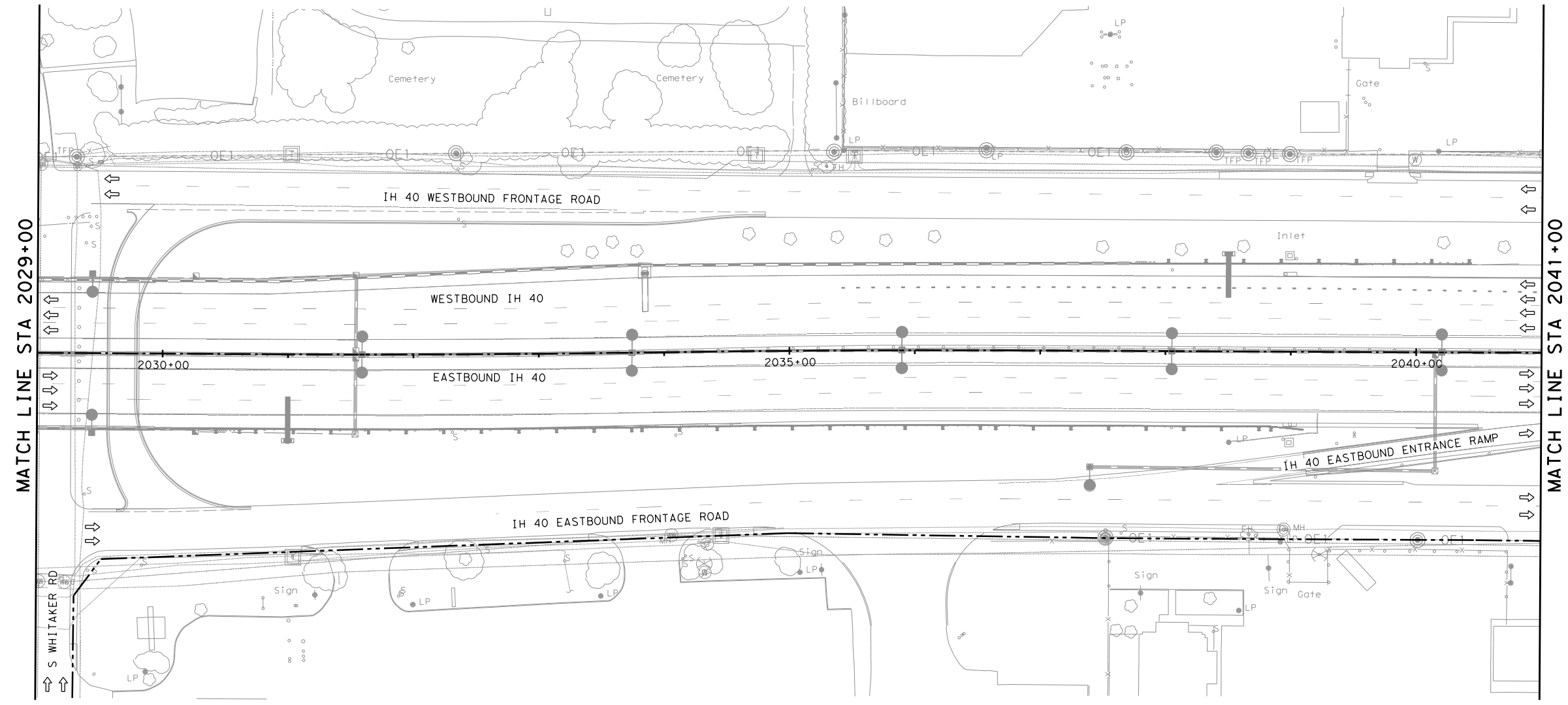
NO.	DATE	REVISION	APPROVED




ILLUMINATION LAYOUT
 STA 2017+00 TO STA 2029+00

FED. RD. DIV. NO.	FEDERAL AID PROJECT NO.	HIGHWAY NO.
6	SEE TITLE SHEET	IH 40
STATE	DIST.	COUNTY
TEXAS	AMA	POTTER
CONT.	SECT.	JOB
0275	01	244

SHEET 51 OF 67






0' 25' 50' 100'

SCALE: 1" = 100'

LEGEND:

- APPROX. ROW
- EXIST. STANDARD ILLUM.
- EXIST. DBL. STAN. ILLUM.
- EXIST. UNDERPASS ILLUM.
- [R1] ○ EXIST. ILLUM. POLES TO BE REMOVED
- [U1] ○ EXIST. ILLUM. POLES TO BE UPGRADED TO LED FIXTURES
- EXIST. CONDUIT
- XX-X ○ PROP. HIGH MAST ILLUM. (6-LED ASYM FIXTURE)
- PROP. ELECTRIC SERVICE POINT
- PROP. TYPE A GROUND BOX WITH APRON
- PROP. TYPE C GROUND BOX WITH APRON
- PROP. ELECTRICAL CONDUIT BORED
- PROP. ELECTRICAL CONDUIT RIGID METAL
- XX-X ○ PROP. UNDERPASS LIGHT FIX. (150' W. EQ LED) (TY 1)
- PROP. DISCONNECT SWITCH
- PROP. JUNCTION BOX
- XX-X LUMINAIRE ID
- LUMINAIRE NUMBER
- CIRCUIT LETTER
- SERVICE NUMBER

NO.	DATE	REVISION	APPROVED



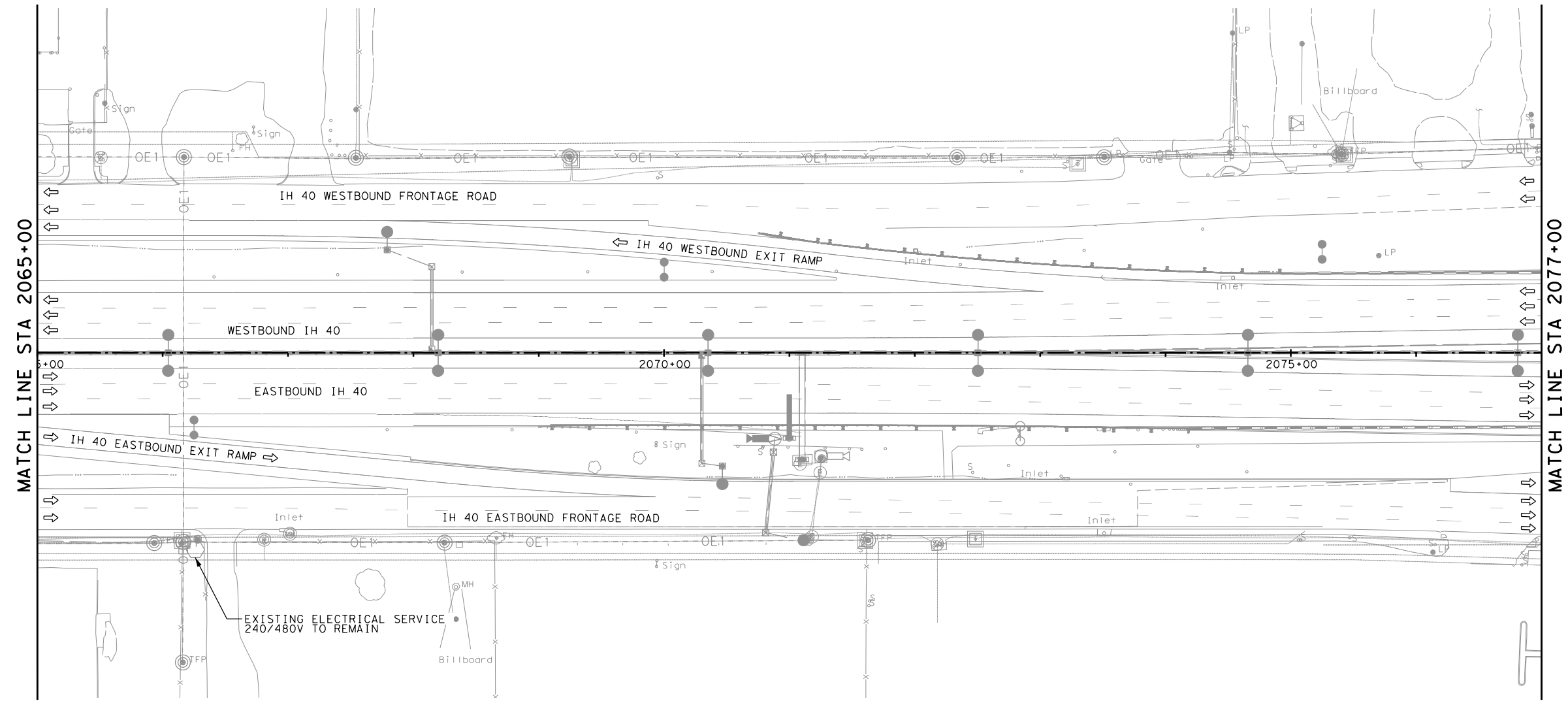



ILLUMINATION LAYOUT
 STA 2029+00 TO STA 2041+00

FED. RD. DIV. NO.	FEDERAL AID PROJECT NO.	HIGHWAY NO.
6	SEE TITLE SHEET	IH 40
STATE	DIST.	COUNTY
TEXAS	AMA	POTTER
CONT.	SECT.	JOB
0275	01	244

- GENERAL NOTES:
- MATCH LINE AND ANNOTATION STATIONING IS BASED OFF IH 40.
 - EXISTING LUMINAIRES TO REMAIN THIS SHEET HAVE ALREADY BEEN UPGRADED TO LED FIXTURES.

NO WORK THIS SHEET






0' 25' 50' 100'

SCALE: 1" = 100'

LEGEND:

- APPROX. ROW
- EXIST. STANDARD ILLUM.
- EXIST. DBL. STAN. ILLUM.
- △ EXIST. UNDERPASS ILLUM.
- R1 ○ EXIST. ILLUM. POLES TO BE REMOVED
- U1 ○ EXIST. ILLUM. POLES TO BE UPGRADED TO LED FIXTURES
- EXIST. CONDUIT
- XX-X ○ PRO. HIGH MAST ILLUM. (6-LED ASYM FIXTURE)
- PRO. ELECTRIC SERVICE POINT
- PRO. TYPE A GROUND BOX WITH APRON
- PRO. TYPE C GROUND BOX WITH APRON
- PRO. ELECTRICAL CONDUIT BORED
- PRO. ELECTRICAL CONDUIT RIGID METAL
- XX-X ○ PRO. UNDERPASS LIGHT FIX. (150' W. EQ LED) (TY 1)
- PRO. DISCONNECT SWITCH
- PRO. JUNCTION BOX
- XX-X LUMINAIRE ID
- LUMINAIRE NUMBER
- CIRCUIT LETTER
- SERVICE NUMBER

NO.	DATE	REVISION	APPROVED



P.E. P.E. ASPI
2/7/2024



ILLUMINATION LAYOUT
 STA 2065+00 TO STA 2077+00

SHEET 55 OF 67		
FED. RD. DIV. NO.	FEDERAL AID PROJECT NO.	HIGHWAY NO.
6	SEE TITLE SHEET	IH 40
STATE	DIST.	COUNTY
TEXAS	AMA	POTTER
CONT.	SECT.	JOB
0275	01	244
		87

- GENERAL NOTES:
- MATCH LINE AND ANNOTATION STATIONING IS BASED OFF IH 40.
 - EXISTING LUMINAIRES TO REMAIN THIS SHEET HAVE ALREADY BEEN UPGRADED TO LED FIXTURES.

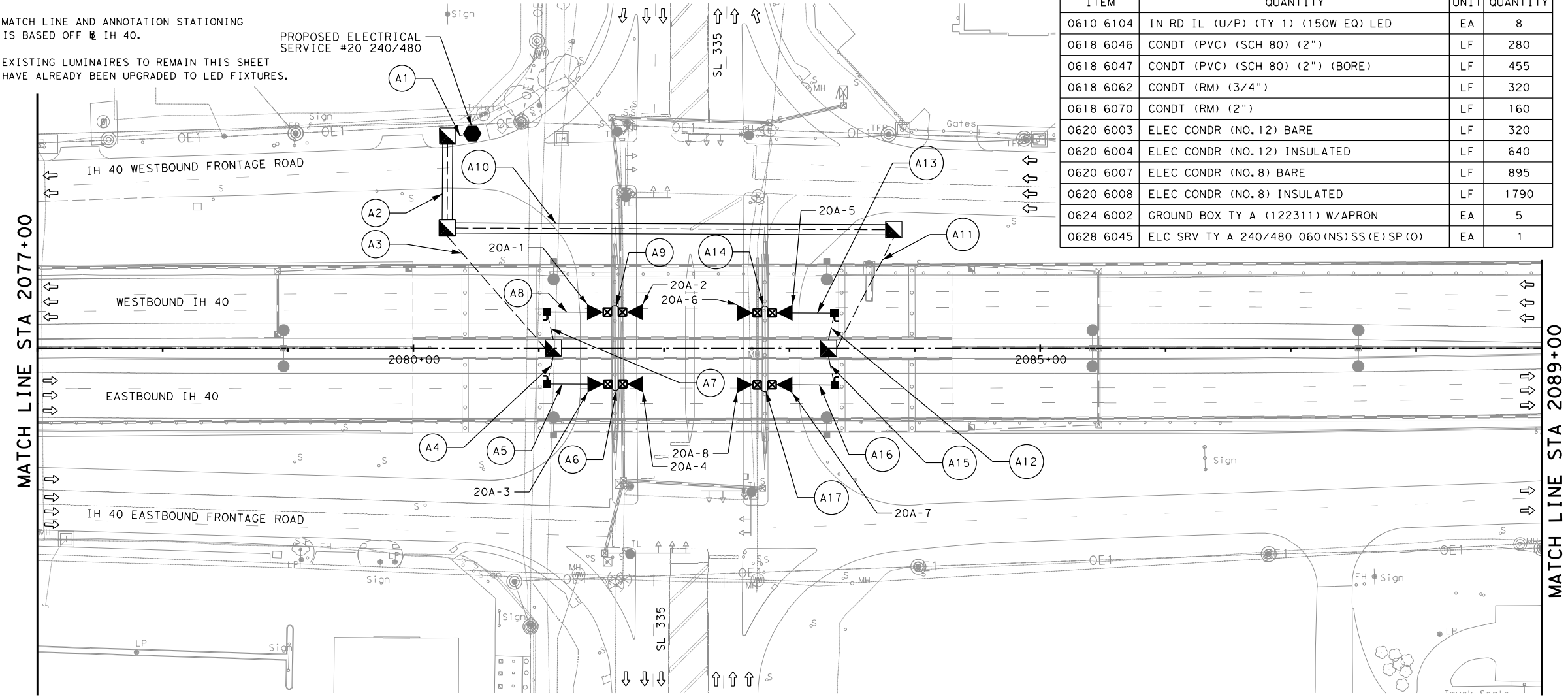
NO WORK THIS SHEET

DATE: 2/7/2024 9:48:13 AM
 FILE: K:\01509\01509-0027-10 TXDOT AMA PS&E IH 40 TRAFFIC SWAI\Sheets\P1_SHTXX_SWAI_ILLUM_56.dgn
 USER: T_Cowser
 PLOT DRIVER: BW_HALF_PDF.plt
 PENTABLE: IH40_SWAI_penTable.tbl

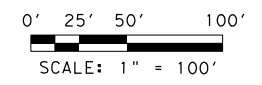
GENERAL NOTES:

- MATCH LINE AND ANNOTATION STATIONING IS BASED OFF IH 40.
- EXISTING LUMINAIRES TO REMAIN THIS SHEET HAVE ALREADY BEEN UPGRADED TO LED FIXTURES.

PROPOSED ELECTRICAL SERVICE #20 240/480



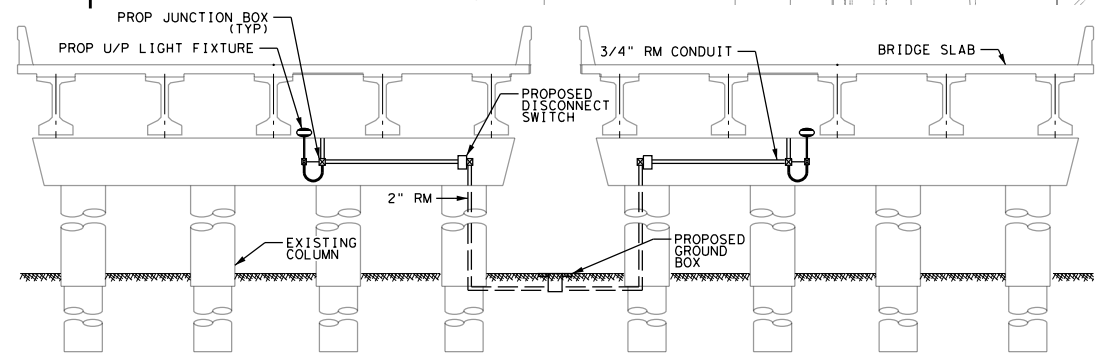
SUMMARY OF QUANTITIES			
ITEM	QUANTITY	UNIT	QUANTITY
0610 6104	IN RD IL (U/P) (TY 1) (150W EQ) LED	EA	8
0618 6046	CONDT (PVC) (SCH 80) (2")	LF	280
0618 6047	CONDT (PVC) (SCH 80) (2") (BORE)	LF	455
0618 6062	CONDT (RM) (3/4")	LF	320
0618 6070	CONDT (RM) (2")	LF	160
0620 6003	ELEC CONDR (NO. 12) BARE	LF	320
0620 6004	ELEC CONDR (NO. 12) INSULATED	LF	640
0620 6007	ELEC CONDR (NO. 8) BARE	LF	895
0620 6008	ELEC CONDR (NO. 8) INSULATED	LF	1790
0624 6002	GROUND BOX TY A (122311) W/APRON	EA	5
0628 6045	ELC SRV TY A 240/480 060(NS)SS(E)SP(O)	EA	1



LEGEND:

- APPROX. ROW
- EXIST. STANDARD ILLUM.
- EXIST. DBL. STAN. ILLUM.
- EXIST. UNDERPASS ILLUM.
- R1 ○ EXIST. ILLUM. POLES TO BE REMOVED
- U1 ○ EXIST. ILLUM. POLES TO BE UPGRADED TO LED FIXTURES
- EXIST. CONDUIT
- XX-X ○ PRO. HIGH MAST ILLUM. (6-LED ASYM FIXTURE)
- PRO. ELECTRIC SERVICE POINT
- PRO. TYPE A GROUND BOX WITH APRON
- PRO. TYPE C GROUND BOX WITH APRON
- PRO. ELECTRICAL CONDUIT
- PRO. BORED ELECTRICAL CONDUIT
- PRO. ELECTRICAL CONDUIT RIGID METAL
- XX-X ○ PRO. UNDERPASS LIGHT FIX. (150' W. EQ LED) (TY 1)
- PRO. DISCONNECT SWITCH
- PRO. JUNCTION BOX
- XX-X LUMINAIRE ID
- LUMINAIRE NUMBER
- CIRCLET LETTER
- SERVICE NUMBER

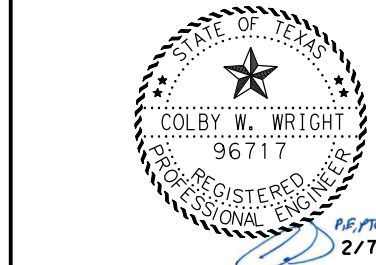
NO.	DATE	REVISION	APPROVED



UNDERPASS ILLUMINATION MOUNTING DETAIL
(IH 40 AT SL 335)
N. T. S.

SCHEDULE OF ILLUMINATION POLE ASSEMBLIES				
POLE NO.	DESCRIPTION	CENTERLINE	STATION	OFFSET
20A-1	IN RD IL (U/P) (TY 1) (150W EQ) LED	IH 40	2081+51.51	28.76 LT
20A-2	IN RD IL (U/P) (TY 1) (150W EQ) LED	IH 40	2081+70.09	28.79 LT
20A-3	IN RD IL (U/P) (TY 1) (150W EQ) LED	IH 40	2081+51.91	28.71 RT
20A-4	IN RD IL (U/P) (TY 1) (150W EQ) LED	IH 40	2081+70.18	28.65 RT
20A-5	IN RD IL (U/P) (TY 1) (150W EQ) LED	IH 40	2082+89.50	28.31 LT
20A-6	IN RD IL (U/P) (TY 1) (150W EQ) LED	IH 40	2082+71.12	28.29 LT
20A-7	IN RD IL (U/P) (TY 1) (150W EQ) LED	IH 40	2082+89.37	29.13 RT
20A-8	IN RD IL (U/P) (TY 1) (150W EQ) LED	IH 40	2082+70.99	29.19 RT

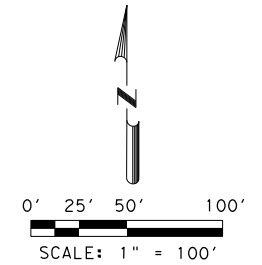
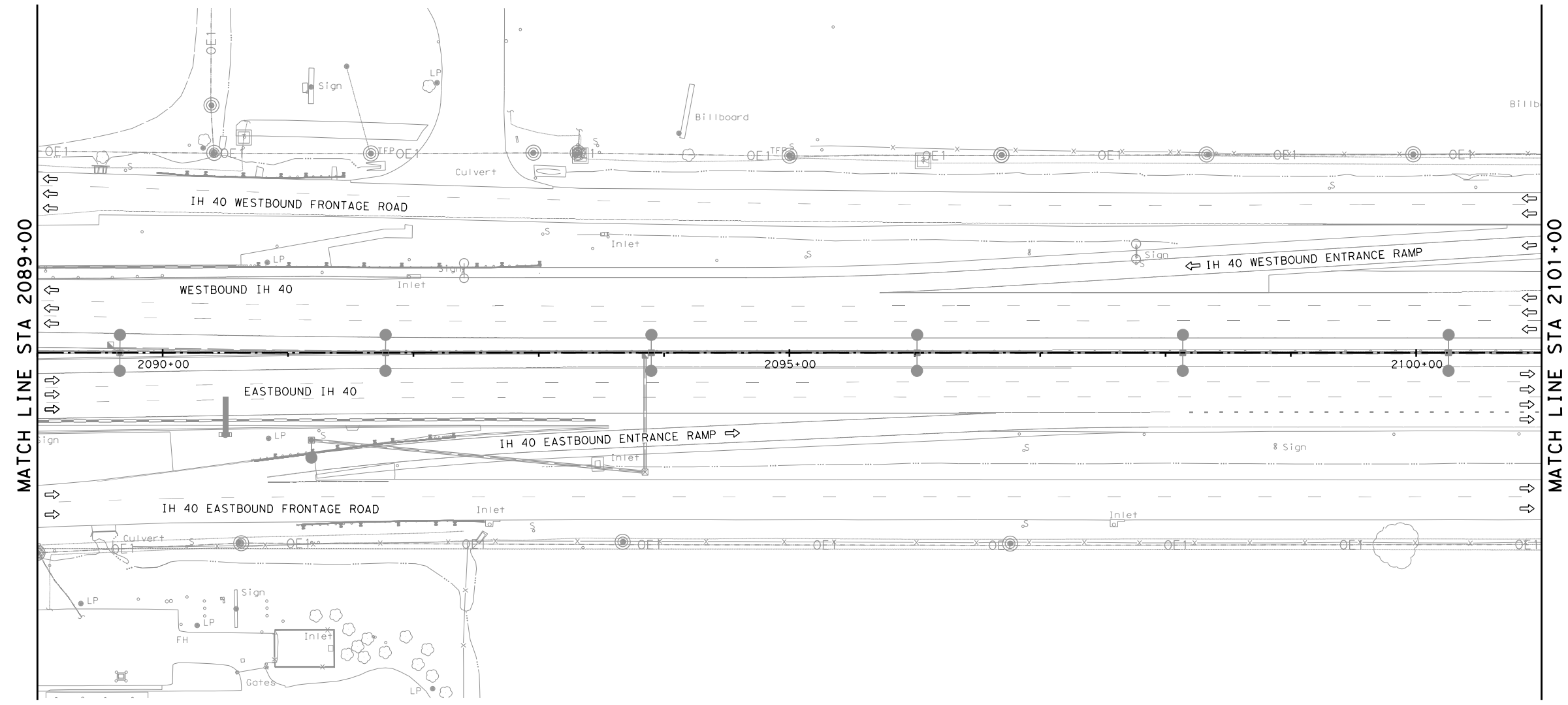
SCHEDULE OF CONDUIT AND CONDUCTORS																			
ELEC. SERV. #	CIRCUIT LETTER	RUN NO.	LENGTH	CONDUIT (NO & LENGTH IN FEET)								CONDUCTOR (NO & LENGTH IN FEET)							
				618 6046		618 6047		618 6062		618 6070		620 6003		620 6004		620 6007		620 6008	
				2" PVC (TRENCH)	2" PVC (BORED)	3/4" RM	2" RM	#12 AWG (BARE)	#12 AWG (INSULATED)	#8 AWG (BARE)	#8 AWG (INSULATED)	EA	LF	EA	LF	EA	LF	EA	LF
20	A	1	20	1	20											1	20	2	40
20	A	2	85			1	85									1	85	2	170
20	A	3	140	1	140											1	140	2	280
20	A	4	40						1	40						1	40	2	80
20	A	5	60					1	60		1	60	2	120					
20	A	6	20					1	20		1	20	2	40					
20	A	7	40							1	40					1	40	2	80
20	A	8	60					1	60		1	60	2	120					
20	A	9	20					1	20		1	20	2	40					
20	A	10	370													1	370	2	740
20	A	11	120	1	120											1	120	2	240
20	A	12	40						1	40						1	40	2	80
20	A	13	60					1	60		1	60	2	120					
20	A	14	20					1	20		1	20	2	40					
20	A	15	40							1	40					1	40	2	80
20	A	16	60					1	60		1	60	2	120					
20	A	17	20					1	20		1	20	2	40					
TOTAL:					280		455		320		160		320		640		895		1790



ILLUMINATION LAYOUT
STA 2077+00 TO STA 2089+00

SHEET 56 OF 67

FED. RD. DIV. NO.	FEDERAL AID PROJECT NO.	HIGHWAY NO.
6	SEE TITLE SHEET	IH 40
STATE	DIST.	COUNTY
TEXAS	AMA	POTTER
CONT.	SECT.	JOB
0275	01	244
		88



- LEGEND:**
- APPROX. ROW
 - EXIST. STANDARD ILLUM.
 - EXIST. DBL. STAN. ILLUM.
 - △ EXIST. UNDERPASS ILLUM.
 - [R1] ○ EXIST. ILLUM. POLES TO BE REMOVED
 - [U1] ○ EXIST. ILLUM. POLES TO BE UPGRADED TO LED FIXTURES
 - EXIST. CONDUIT
 - XX-X ○ PROP. HIGH MAST ILLUM. (6-LED ASYM FIXTURE)
 - PROP. ELECTRIC SERVICE POINT
 - PROP. TYPE A GROUND BOX WITH APRON
 - PROP. TYPE C GROUND BOX WITH APRON
 - PROP. ELECTRICAL CONDUIT BORED
 - PROP. ELECTRICAL CONDUIT RIGID METAL
 - XX-X → PROP. UNDERPASS LIGHT FIX. (150' W. EQ LED) (TY 1)
 - PROP. DISCONNECT SWITCH
 - PROP. JUNCTION BOX
 - XX-X LUMINAIRE ID
 - LUMINAIRE NUMBER
 - CIRCUIT LETTER
 - SERVICE NUMBER

NO.	DATE	REVISION	APPROVED

STATE OF TEXAS
 COLBY W. WRIGHT
 96717
 REGISTERED PROFESSIONAL ENGINEER
 P.E. THE ASPI
 2/7/2024



ILLUMINATION LAYOUT
STA 2089+00 TO STA 2101+00

FED. RD. DIV. NO.	FEDERAL AID PROJECT NO.	HIGHWAY NO.
6	SEE TITLE SHEET	IH 40
STATE	DIST.	COUNTY
TEXAS	AMA	POTTER
CONT.	SECT.	JOB
0275	01	244

SHEET 57 OF 67

- GENERAL NOTES:**
- MATCH LINE AND ANNOTATION STATIONING IS BASED OFF IH 40.
 - EXISTING LUMINAIRES TO REMAIN THIS SHEET HAVE ALREADY BEEN UPGRADED TO LED FIXTURES.

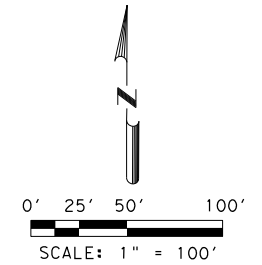
NO WORK THIS SHEET

PLOTDRIVER: BW_HALF_PDF.plt
 PENTABLE: IH40_SWAI_penttable.tbl

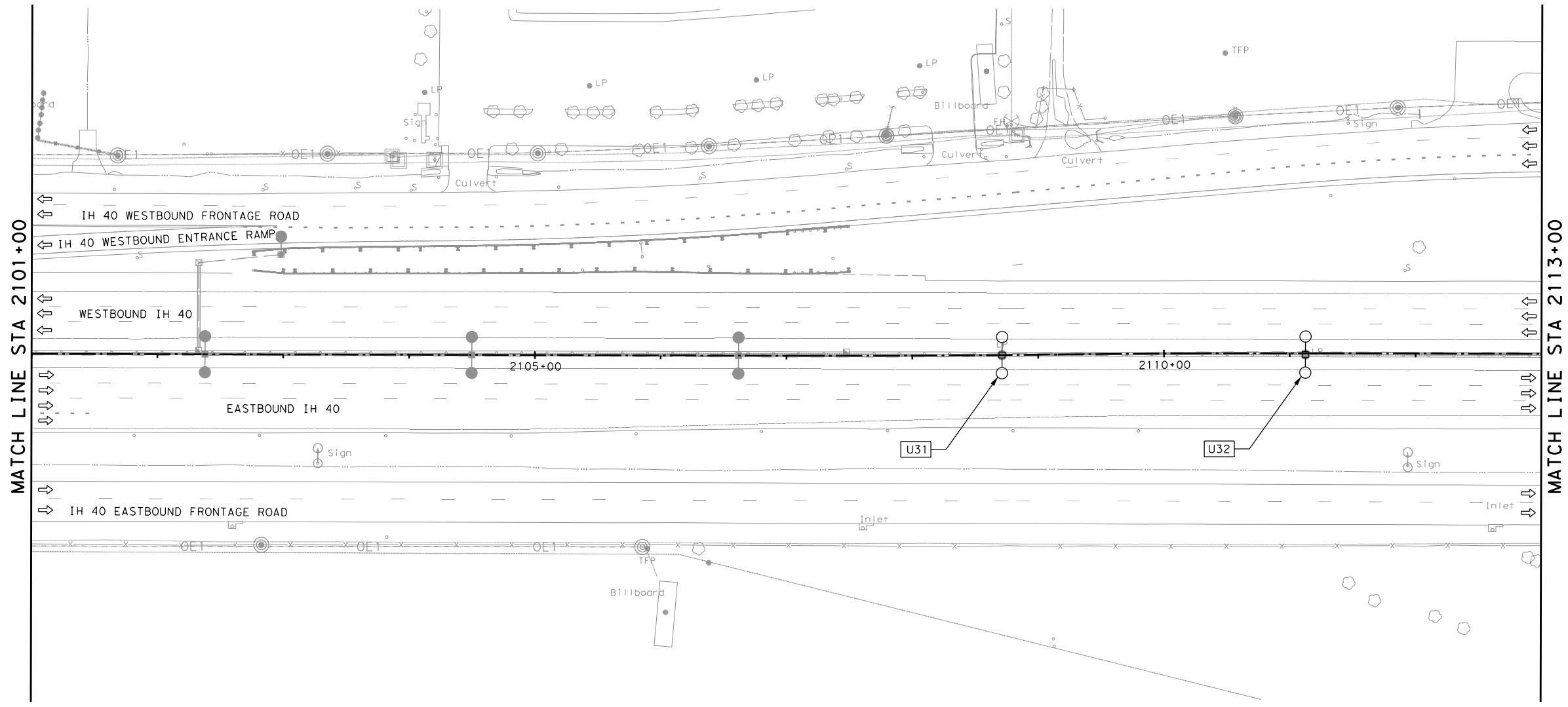
USER: T_Cowser
 FILE: K:\01509\01509-002\7-10\TXDOT\AMA PS&E_IH_40\TRAFFIC\SWAI\SHTXX_SWAI_ILLUM_58.dgn

DATE: 2/7/2024 9:48:16 AM
 FILE: K:\01509\01509-002\7-10\TXDOT\AMA PS&E_IH_40\TRAFFIC\SWAI\SHTXX_SWAI_ILLUM_58.dgn

SUMMARY OF QUANTITIES			
ITEM	QUANTITY	UNIT	QUANTITY
0610 6102	REPLACE LUMINAIRE W/LED (250W EQ)	EA	4



- LEGEND:**
- APPROX. ROW
 - EXIST. STANDARD ILLUM.
 - EXIST. DBL. STAN. ILLUM.
 - △ EXIST. UNDERPASS ILLUM.
 - [R1] ○ EXIST. ILLUM. POLES TO BE REMOVED
 - [U1] ○ EXIST. ILLUM. POLES TO BE UPGRADED TO LED FIXTURES
 - EXIST. CONDUIT
 - XX-X ○ PRO. HIGH MAST ILLUM. (6-LED ASYM FIXTURE)
 - PRO. ELECTRIC SERVICE POINT
 - PRO. TYPE A GROUND BOX WITH APRON
 - ⊠ PRO. TYPE C GROUND BOX WITH APRON
 - PRO. ELECTRICAL CONDUIT BORED
 - PRO. ELECTRICAL CONDUIT RIGID METAL
 - XX-X → PRO. UNDERPASS LIGHT FIX. (150' W. EQ LED) (TY 1)
 - ⊠ PRO. DISCONNECT SWITCH
 - ⊠ PRO. JUNCTION BOX
 - XX-X LUMINAIRE ID
 - LUMINAIRE NUMBER
 - CIRCUIT LETTER
 - SERVICE NUMBER



- GENERAL NOTES:**
- MATCH LINE AND ANNOTATION STATIONING IS BASED OFF IH 40.
 - EXISTING LUMINAIRES TO REMAIN THIS SHEET HAVE ALREADY BEEN UPGRADED TO LED FIXTURES.
 - EXISTING LUMINAIRES BEYOND STA 2108+00 TO BE UPGRADED TO LED FIXTURES THIS SHEET.

NO.	DATE	REVISION	APPROVED

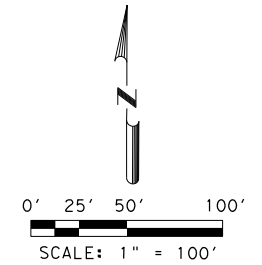


ILLUMINATION LAYOUT
STA 2101+00 TO STA 2113+00

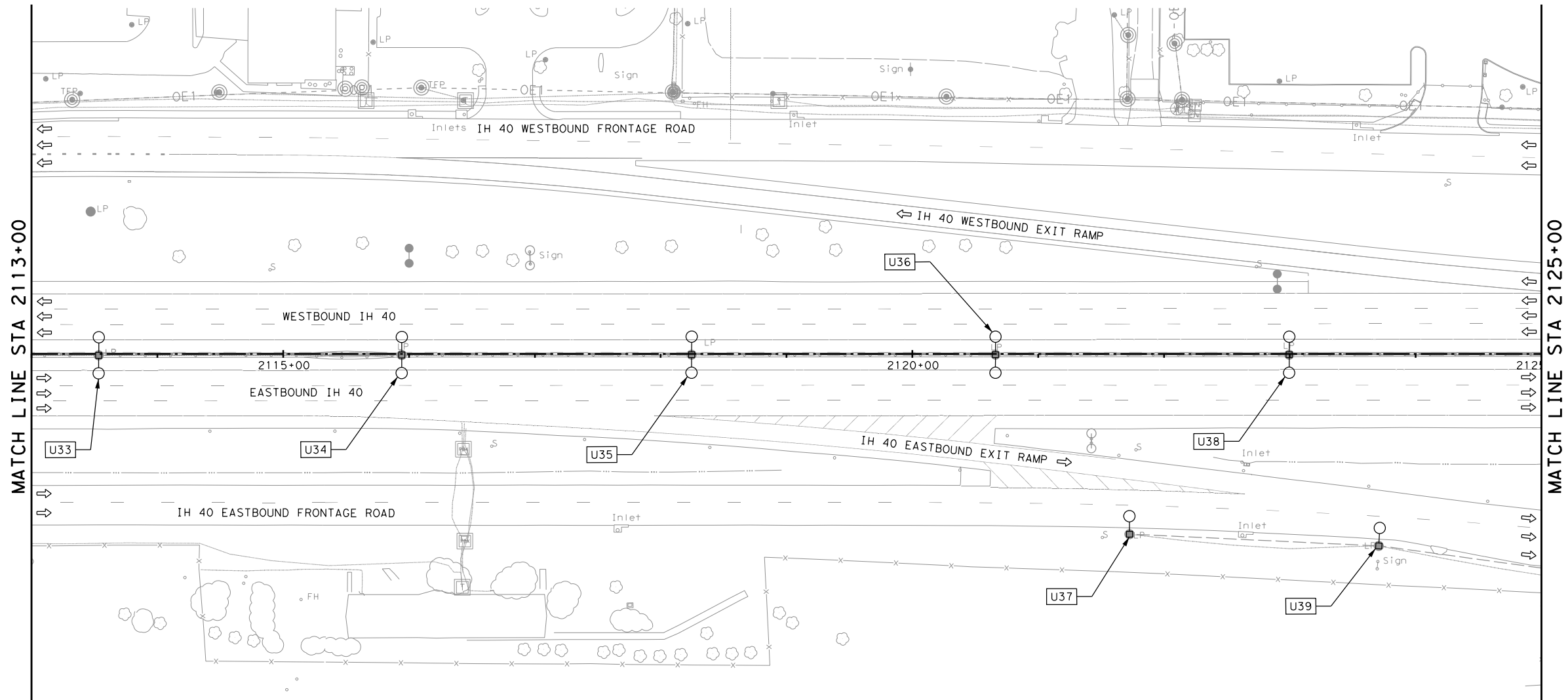
FED. RD. DIV. NO.			FEDERAL AID PROJECT NO.	HIGHWAY NO.
6			SEE TITLE SHEET	IH 40
STATE	DIST.	COUNTY	SHEET NO.	
TEXAS	AMA	POTTER	90	
CONT.	SECT.	JOB		
0275	01	244		

SHEET 58 OF 67

SUMMARY OF QUANTITIES			
ITEM	QUANTITY	UNIT	QUANTITY
0610 6102	REPLACE LUMINAIRE W/LED (250W EQ)	EA	12



- LEGEND:**
- APPROX. ROW
 - EXIST. STANDARD ILLUM.
 - EXIST. DBL. STAN. ILLUM.
 - △ EXIST. UNDERPASS ILLUM.
 - [R1] ○ EXIST. ILLUM. POLES TO BE REMOVED
 - [U1] ○ EXIST. ILLUM. POLES TO BE UPGRADED TO LED FIXTURES
 - EXIST. CONDUIT
 - XX-X ○ PRO. HIGH MAST ILLUM. (6-LED ASYM FIXTURE)
 - PRO. ELECTRIC SERVICE POINT
 - PRO. TYPE A GROUND BOX WITH APRON
 - PRO. TYPE C GROUND BOX WITH APRON
 - PRO. ELECTRICAL CONDUIT BORED
 - PRO. ELECTRICAL CONDUIT RIGID METAL
 - XX-X ○ PRO. UNDERPASS LIGHT FIX. (150' W. EQ LED) (TY 1)
 - PRO. DISCONNECT SWITCH
 - PRO. JUNCTION BOX
 - XX-X LUMINAIRE ID
 - LUMINAIRE NUMBER
 - CIRCLET LETTER
 - SERVICE NUMBER

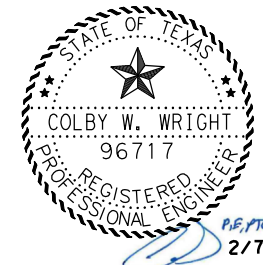


MATCH LINE STA 2113+00

MATCH LINE STA 2125+00

- GENERAL NOTES:
- MATCH LINE AND ANNOTATION STATIONING IS BASED OFF IH 40.
 - EXISTING LUMINAIRES TO BE UPGRADED TO LED FIXTURES THIS SHEET.

NO.	DATE	REVISION	APPROVED



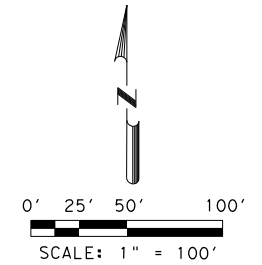
ILLUMINATION LAYOUT
 STA 2113+00 TO STA 2125+00

SHEET 59 OF 67

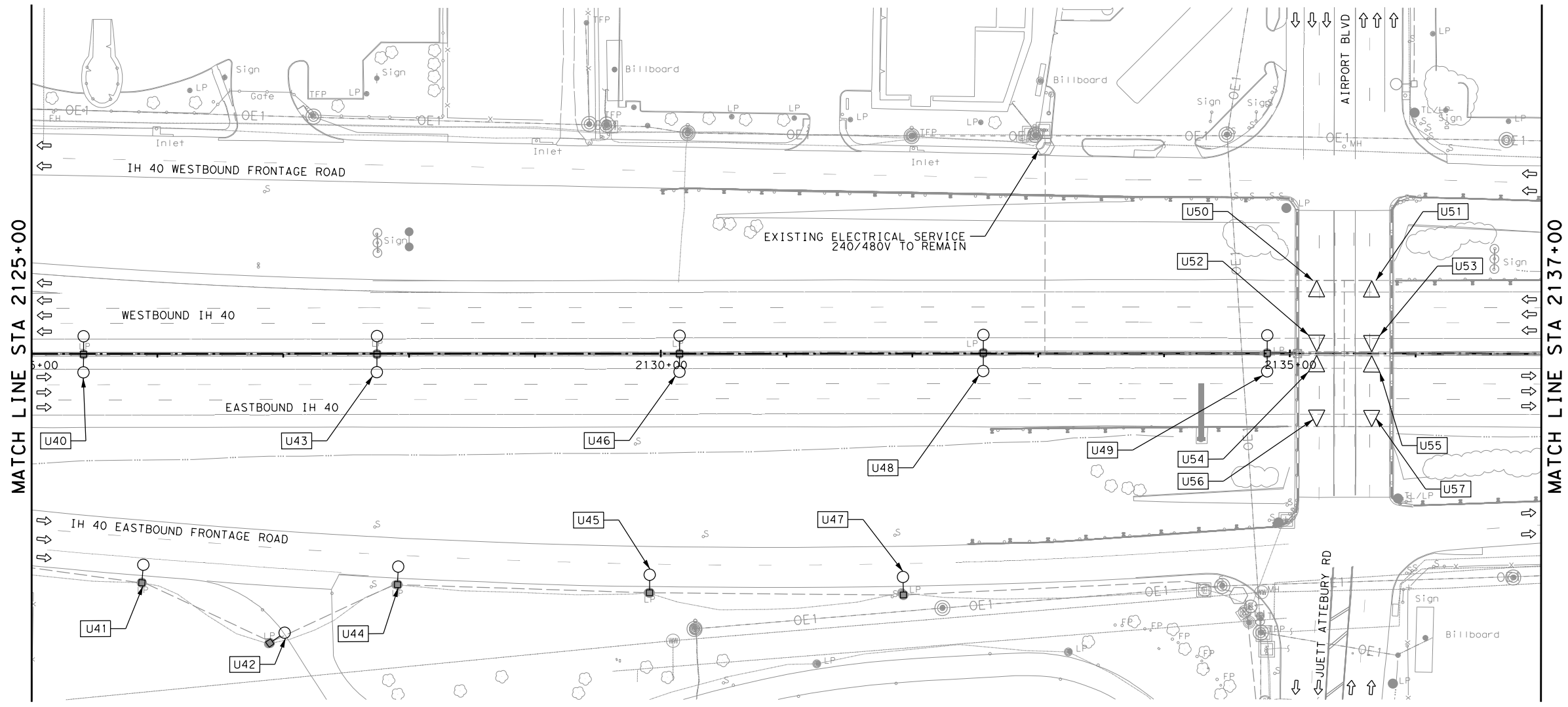
FED. RD. DIV. NO.	FEDERAL AID PROJECT NO.	HIGHWAY NO.
6	SEE TITLE SHEET	IH 40
STATE	DIST.	COUNTY
TEXAS	AMA	POTTER
CONT.	SECT.	JOB
0275	01	244

91

SUMMARY OF QUANTITIES			
ITEM	QUANTITY	UNIT	QUANTITY
0610 6101	REPLACE LUMINAIRE W/LED (150W EQ)	EA	8
0610 6102	REPLACE LUMINAIRE W/LED (250W EQ)	EA	15



- LEGEND:**
- APPROX. ROW
 - EXIST. STANDARD ILLUM.
 - EXIST. DBL. STAN. ILLUM.
 - △ EXIST. UNDERPASS ILLUM.
 - [R1] EXIST. ILLUM. POLES TO BE REMOVED
 - [U1] EXIST. ILLUM. POLES TO BE UPGRADED TO LED FIXTURES
 - EXIST. CONDUIT
 - XX-X → EXIST. HIGH MAST ILLUM. (6-LED ASYM FIXTURE)
 - PROP. ELECTRIC SERVICE POINT
 - PROP. TYPE A GROUND BOX WITH APRON
 - ⊠ PROP. TYPE C GROUND BOX WITH APRON
 - PROP. ELECTRICAL CONDUIT BORED
 - PROP. ELECTRICAL CONDUIT RIGID METAL
 - XX-X → PROP. UNDERPASS LIGHT FIX. (150' W. EQ LED) (TY 1)
 - PROP. DISCONNECT SWITCH
 - ⊠ PROP. JUNCTION BOX
 - XX-X LUMINAIRE ID
 - └─┘ LUMINAIRE NUMBER
 - └─┘ CIRCUIT LETTER
 - └─┘ SERVICE NUMBER



- GENERAL NOTES:**
- MATCH LINE AND ANNOTATION STATIONING IS BASED OFF IH 40.
 - EXISTING LUMINAIRES TO BE UPGRADED TO LED FIXTURES THIS SHEET.
 - EXISTING UNDERPASS LIGHTING TO BE UPGRADED TO LED FIXTURES THIS SHEET.

NO.	DATE	REVISION	APPROVED



ILLUMINATION LAYOUT
 STA 2125+00 TO STA 2137+00

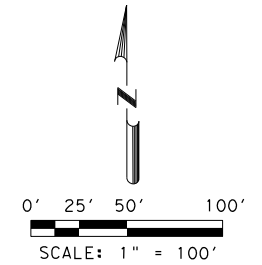
FED. RD. DIV. NO.			FEDERAL AID PROJECT NO.	HIGHWAY NO.
6			SEE TITLE SHEET	IH 40
STATE	DIST.	COUNTY	SHEET NO.	
TEXAS	AMA	POTTER	92	
CONT.	SECT.	JOB		
0275	01	244		

PLOTDRIVER: BW_HALF_PDF.plt
 PENTABLE: IH40_SWAI_penttable.tbl

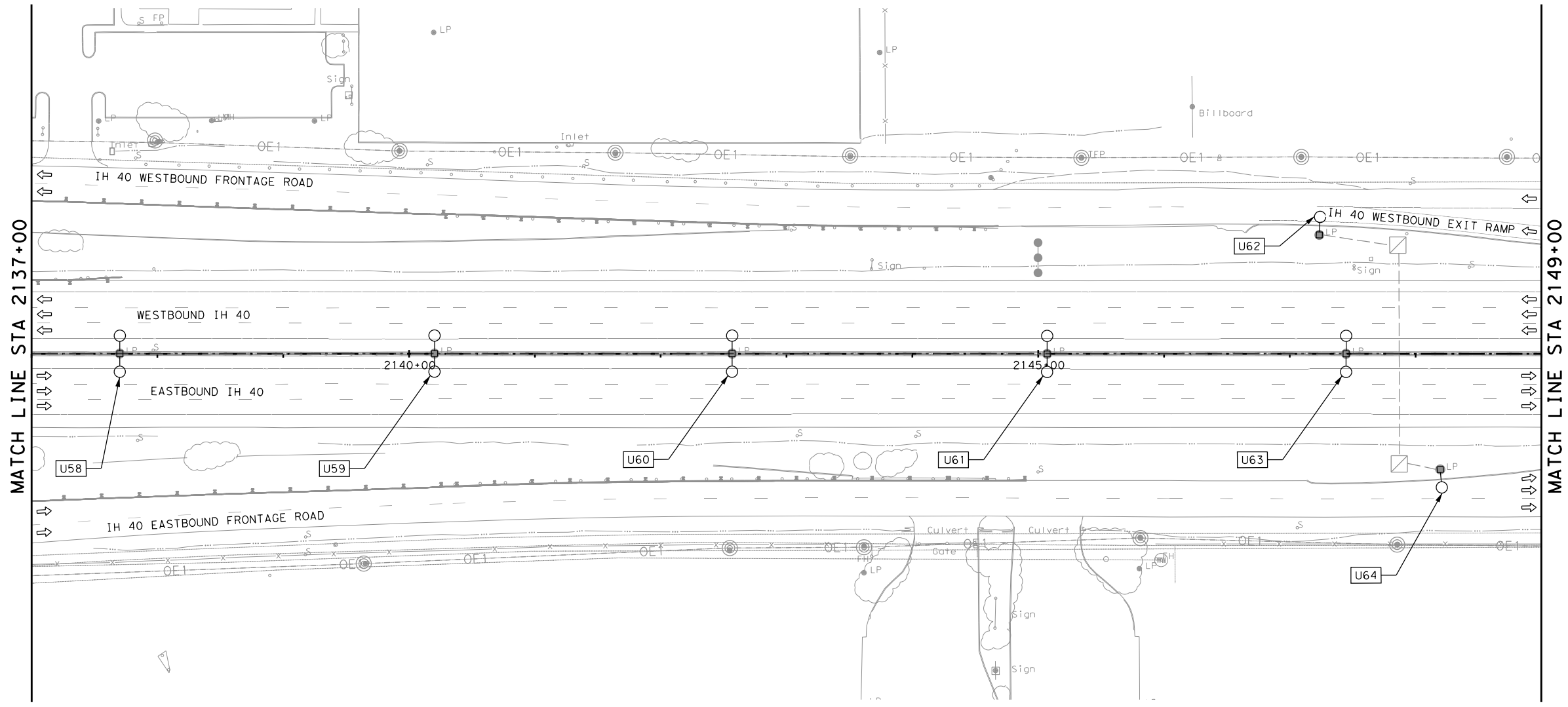
USER: T_Cowser
 FILE: K:\01509\01509-002\7-10\TXDOT\AMA PS&E_IH 40\TRAFFIC\SWAI\Shts\SWAI_ILLUM_61.dgn

DATE: 2/7/2024 9:48:21 AM
 FILE: K:\01509\01509-002\7-10\TXDOT\AMA PS&E_IH 40\TRAFFIC\SWAI\Shts\SWAI_ILLUM_61.dgn

SUMMARY OF QUANTITIES			
ITEM	QUANTITY	UNIT	QUANTITY
0610 6102	REPLACE LUMINAIRE W/LED (250W EQ)	EA	12



- LEGEND:**
- APPROX. ROW
 - EXIST. STANDARD ILLUM.
 - EXIST. DBL. STAN. ILLUM.
 - △ EXIST. UNDERPASS ILLUM.
 - [R1] ○ EXIST. ILLUM. POLES TO BE REMOVED
 - [U1] ○ EXIST. ILLUM. POLES TO BE UPGRADED TO LED FIXTURES
 - EXIST. CONDUIT
 - XX-X ○ PROP. HIGH MAST ILLUM. (6-LED ASYM FIXTURE)
 - PROP. ELECTRIC SERVICE POINT
 - PROP. TYPE A GROUND BOX WITH APRON
 - PROP. TYPE C GROUND BOX WITH APRON
 - PROP. ELECTRICAL CONDUIT BORED
 - PROP. ELECTRICAL CONDUIT RIGID METAL
 - XX-X ○ PROP. UNDERPASS LIGHT FIX. (150' W. EQ LED) (TY 1)
 - PROP. DISCONNECT SWITCH
 - PROP. JUNCTION BOX
 - XX-X LUMINAIRE ID
 - LUMINAIRE NUMBER
 - CIRCLET LETTER
 - SERVICE NUMBER



- GENERAL NOTES:
- MATCH LINE AND ANNOTATION STATIONING IS BASED OFF \square IH 40.
 - EXISTING LUMINAIRES TO BE UPGRADED TO LED FIXTURES THIS SHEET.

NO.	DATE	REVISION	APPROVED

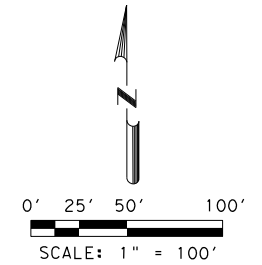


ILLUMINATION LAYOUT
 STA 2137+00 TO STA 2149+00

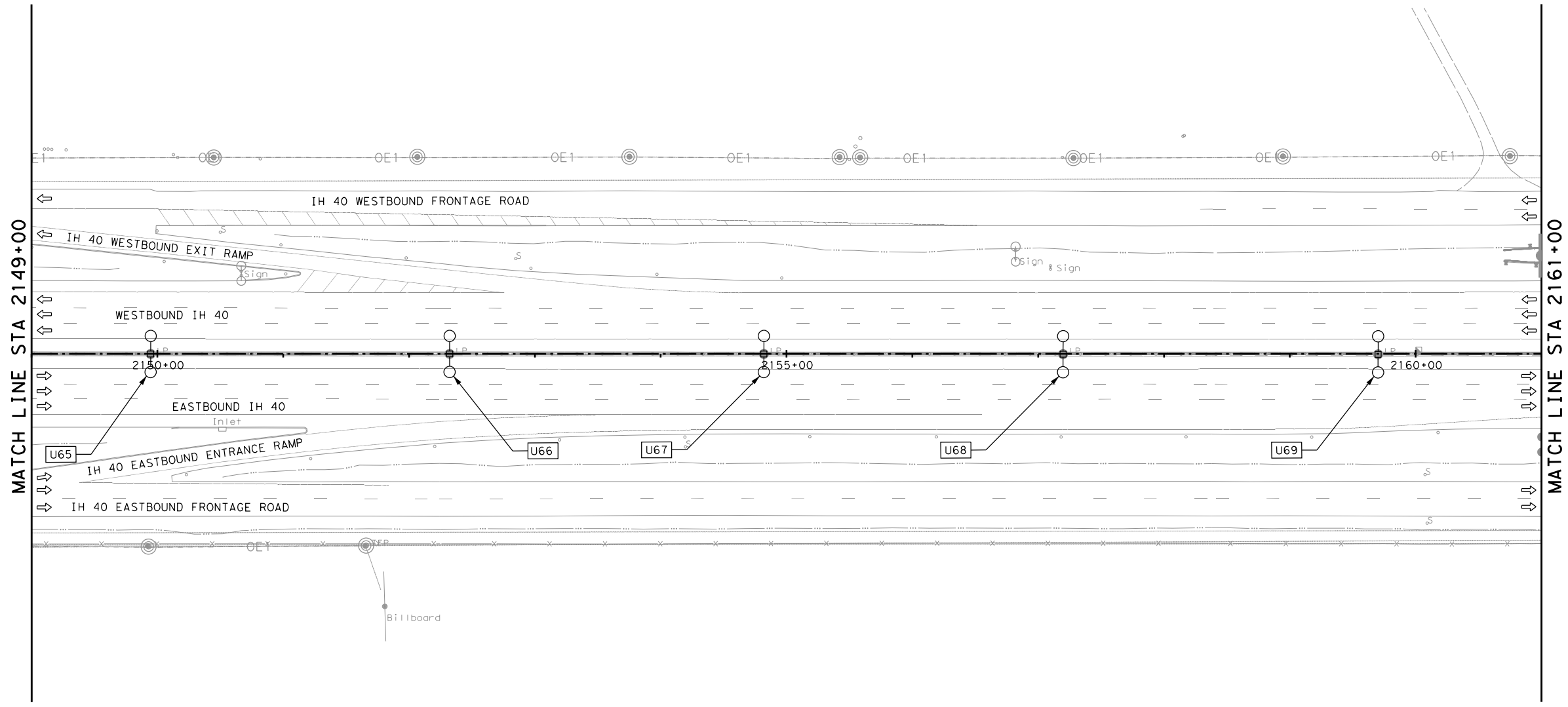
FED. RD. DIV. NO.	FEDERAL AID PROJECT NO.	HIGHWAY NO.
6	SEE TITLE SHEET	IH 40
STATE	DIST.	COUNTY
TEXAS	AMA	POTTER
CONT.	SECT.	JOB
0275	01	244

SHEET 61 OF 67

SUMMARY OF QUANTITIES			
ITEM	QUANTITY	UNIT	QUANTITY
0610 6102	REPLACE LUMINAIRE W/LED (250W EQ)	EA	10

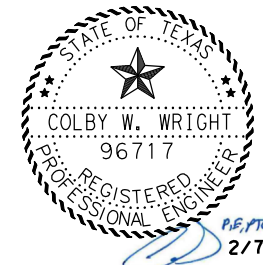


- LEGEND:**
- APPROX. ROW
 - EXIST. STANDARD ILLUM.
 - EXIST. DBL. STAN. ILLUM.
 - △ EXIST. UNDERPASS ILLUM.
 - [R1] ○ EXIST. ILLUM. POLES TO BE REMOVED
 - [U1] ○ EXIST. ILLUM. POLES TO BE UPGRADED TO LED FIXTURES
 - EXIST. CONDUIT
 - XX-X ○ PROP. HIGH MAST ILLUM. (6-LED ASYM FIXTURE)
 - PROP. ELECTRIC SERVICE POINT
 - PROP. TYPE A GROUND BOX WITH APRON
 - ⊠ PROP. TYPE C GROUND BOX WITH APRON
 - PROP. ELECTRICAL CONDUIT BORED
 - === PROP. ELECTRICAL CONDUIT RIGID METAL
 - XX-X → PROP. UNDERPASS LIGHT FIX. (150' W. EQ LED) (TY 1)
 - ⊠ PROP. DISCONNECT SWITCH
 - ⊠ PROP. JUNCTION BOX
 - XX-X LUMINAIRE ID
 LUMINAIRE NUMBER
 CIRCUIT LETTER
 SERVICE NUMBER



- GENERAL NOTES:**
- MATCH LINE AND ANNOTATION STATIONING IS BASED OFF \square IH 40.
 - EXISTING LUMINAIRES TO BE UPGRADED TO LED FIXTURES THIS SHEET.

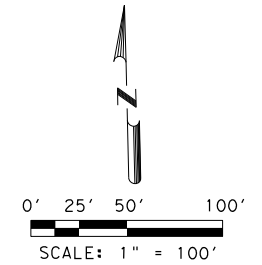
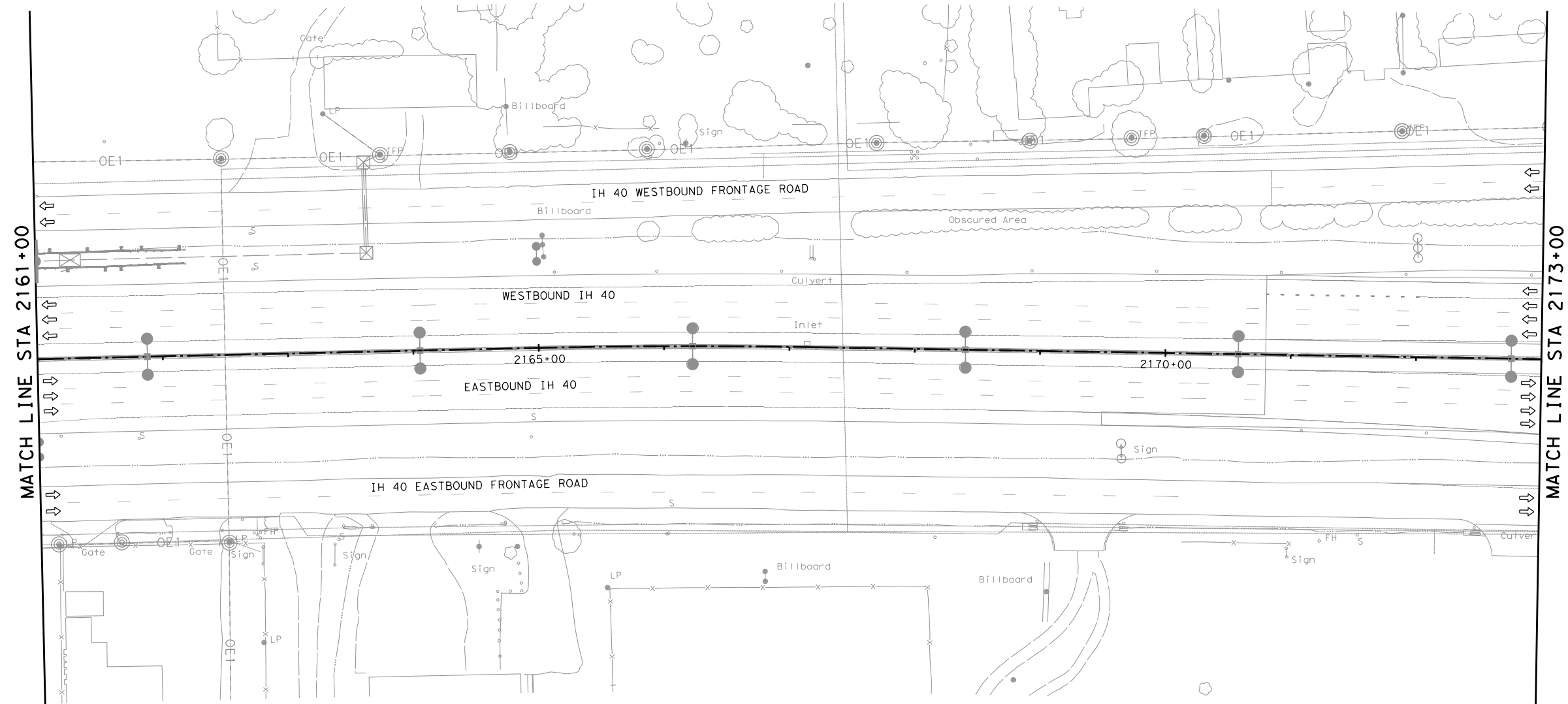
NO.	DATE	REVISION	APPROVED



ILLUMINATION LAYOUT
 STA 2149+00 TO STA 2161+00

SHEET 62 OF 67

FED. RD. DIV. NO.	FEDERAL AID PROJECT NO.	HIGHWAY NO.	
6	SEE TITLE SHEET	IH 40	
STATE	DIST.	COUNTY	SHEET NO.
TEXAS	AMA	POTTER	94
CONT.	SECT.	JOB	
0275	01	244	



- LEGEND:**
- APPROX. ROW
 - EXIST. STANDARD ILLUM.
 - EXIST. DBL. STAN. ILLUM.
 - △ EXIST. UNDERPASS ILLUM.
 - [R1] ○ EXIST. ILLUM. POLES TO BE REMOVED
 - [U1] ○ EXIST. ILLUM. POLES TO BE UPGRADED TO LED FIXTURES
 - EXIST. CONDUIT
 - XX-X ○ PRO. HIGH MAST ILLUM. (6-LED ASYM FIXTURE)
 - PRO. ELECTRIC SERVICE POINT
 - PRO. TYPE A GROUND BOX WITH APRON
 - ⊠ PRO. TYPE C GROUND BOX WITH APRON
 - PRO. ELECTRICAL CONDUIT
 - === PRO. BORED ELECTRICAL CONDUIT
 - PRO. RIGID ELECTRICAL CONDUIT
 - XX-X ○ PRO. UNDERPASS LIGHT FIX. (150' W. EQ LED) (TY 1)
 - ⊠ PRO. DISCONNECT SWITCH
 - ⊠ PRO. JUNCTION BOX
 - XX-X LUMINAIRE ID
 - LUMINAIRE NUMBER
 - CIRCUIT LETTER
 - SERVICE NUMBER

NO.	DATE	REVISION	APPROVED

2/7/2024



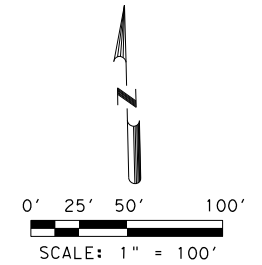
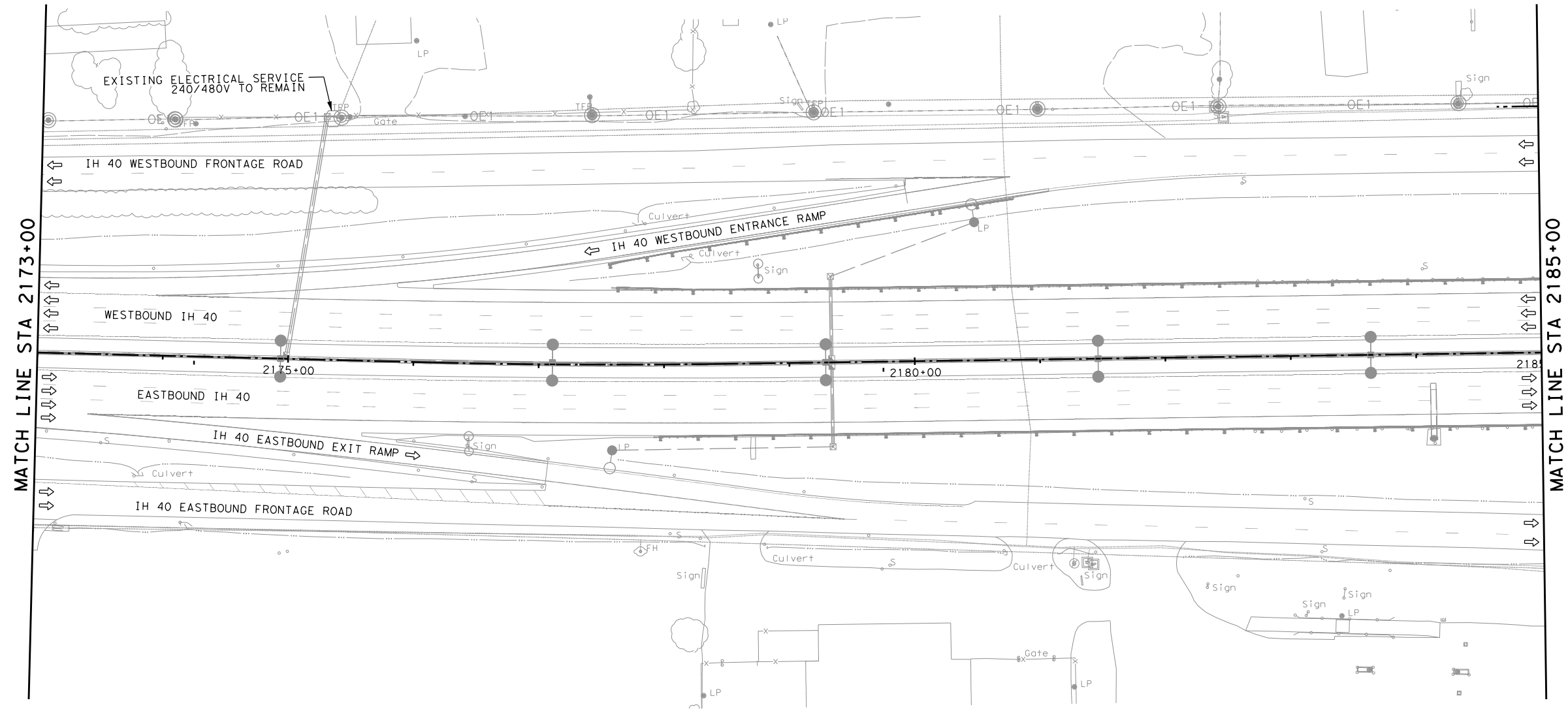
ILLUMINATION LAYOUT
STA 2161+00 TO STA 2173+00

FED. RD. DIV. NO.	FEDERAL AID PROJECT NO.	HIGHWAY NO.
6	SEE TITLE SHEET	IH 40
STATE	DIST.	COUNTY
TEXAS	AMA	POTTER
CONT.	SECT.	JOB
0275	01	244

95

- GENERAL NOTES:**
- MATCH LINE AND ANNOTATION STATIONING IS BASED OFF IH 40.
 - EXISTING LUMINAIRES TO REMAIN THIS SHEET HAVE ALREADY BEEN UPGRADED TO LED FIXTURES.

NO WORK THIS SHEET



- LEGEND:**
- APPROX. ROW
 - EXIST. STANDARD ILLUM.
 - EXIST. DBL. STAN. ILLUM.
 - △ EXIST. UNDERPASS ILLUM.
 - [R1] ○ EXIST. ILLUM. POLES TO BE REMOVED
 - [U1] ○ EXIST. ILLUM. POLES TO BE UPGRADED TO LED FIXTURES
 - EXIST. CONDUIT
 - XX-X ○ PRO. HIGH MAST ILLUM. (6-LED ASYM FIXTURE)
 - PRO. ELECTRIC SERVICE POINT
 - PRO. TYPE A GROUND BOX WITH APRON
 - ⊠ PRO. TYPE C GROUND BOX WITH APRON
 - PRO. ELECTRICAL CONDUIT BORED
 - PRO. ELECTRICAL CONDUIT RIGID METAL
 - XX-X → PRO. UNDERPASS LIGHT FIX. (150' W. EQ LED) (TY 1)
 - PRO. DISCONNECT SWITCH
 - ⊠ PRO. JUNCTION BOX
 - XX-X LUMINAIRE ID
 - LUMINAIRE NUMBER
 - CIRCUIT LETTER
 - SERVICE NUMBER

NO.	DATE	REVISION	APPROVED
-----	------	----------	----------



ILLUMINATION LAYOUT

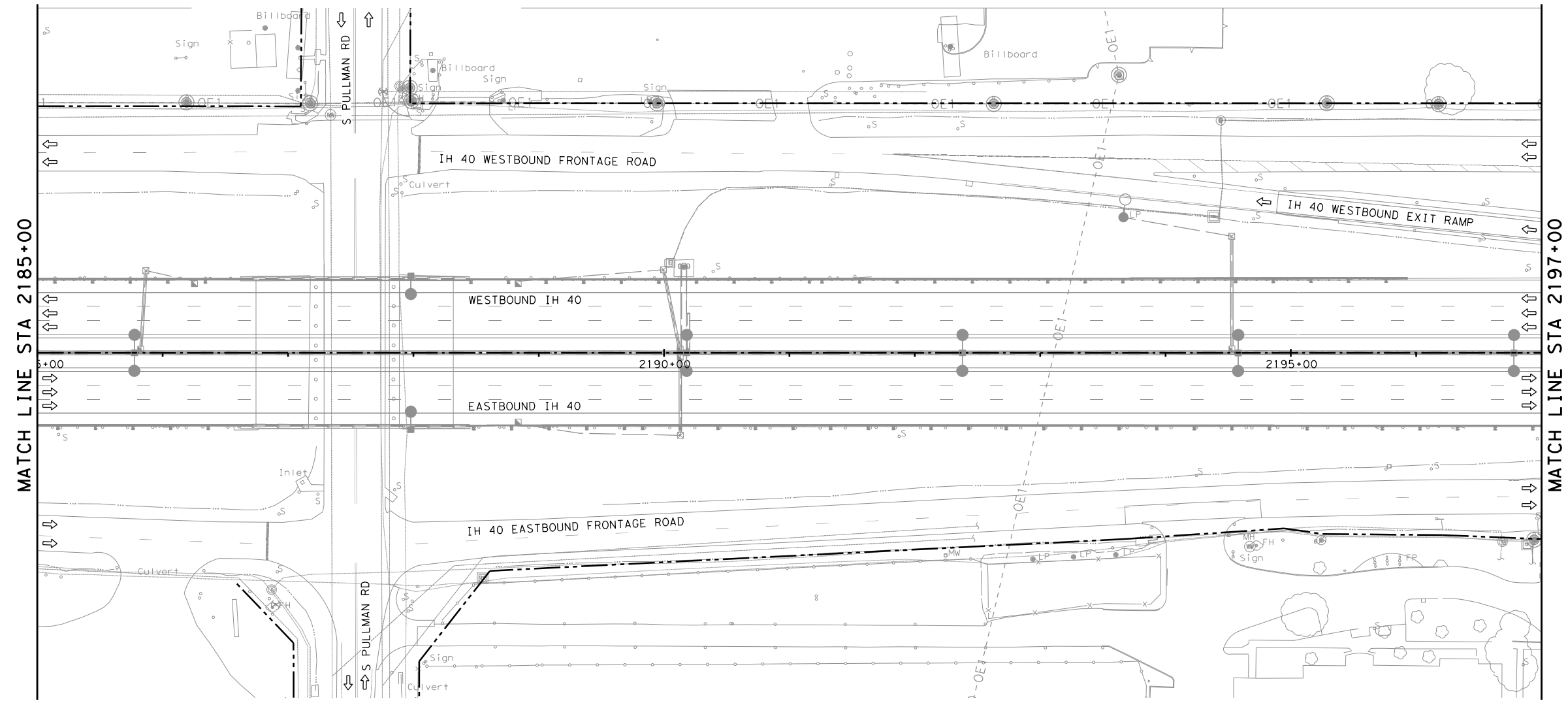
STA 2173+00 TO STA 2185+00

SHEET 64 OF 67

FED. RD. DIV. NO.	FEDERAL AID PROJECT NO.	HIGHWAY NO.
6	SEE TITLE SHEET	IH 40
STATE	DIST.	COUNTY
TEXAS	AMA	POTTER
CONT.	SECT.	JOB
0275	01	244
		SHEET NO.
		96

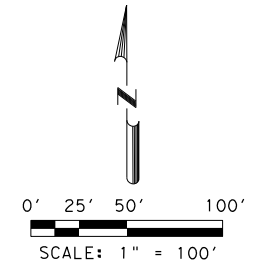
- GENERAL NOTES:
1. MATCH LINE AND ANNOTATION STATIONING IS BASED OFF IH 40.
 2. EXISTING LUMINAIRES TO REMAIN THIS SHEET HAVE ALREADY BEEN UPGRADED TO LED FIXTURES.

NO WORK THIS SHEET



MATCH LINE STA 2185+00

MATCH LINE STA 2197+00



- LEGEND:**
- APPROX. ROW
 - EXIST. STANDARD ILLUM.
 - EXIST. DBL. STAN. ILLUM.
 - △ EXIST. UNDERPASS ILLUM.
 - [R1] ○ EXIST. ILLUM. POLES TO BE REMOVED
 - [U1] ○ EXIST. ILLUM. POLES TO BE UPGRADED TO LED FIXTURES
 - EXIST. CONDUIT
 - XX-X ○ PROP. HIGH MAST ILLUM. (6-LED ASYM FIXTURE)
 - PROP. ELECTRIC SERVICE POINT
 - PROP. TYPE A GROUND BOX WITH APRON
 - PROP. TYPE C GROUND BOX WITH APRON
 - PROP. ELECTRICAL CONDUIT BORED
 - PROP. ELECTRICAL CONDUIT RIGID METAL
 - XX-X → PROP. UNDERPASS LIGHT FIX. (150' W. EQ LED) (TY 1)
 - PROP. DISCONNECT SWITCH
 - PROP. JUNCTION BOX
 - XX-X LUMINAIRE ID
 - LUMINAIRE NUMBER
 - CIRCUIT LETTER
 - SERVICE NUMBER

NO.	DATE	REVISION	APPROVED

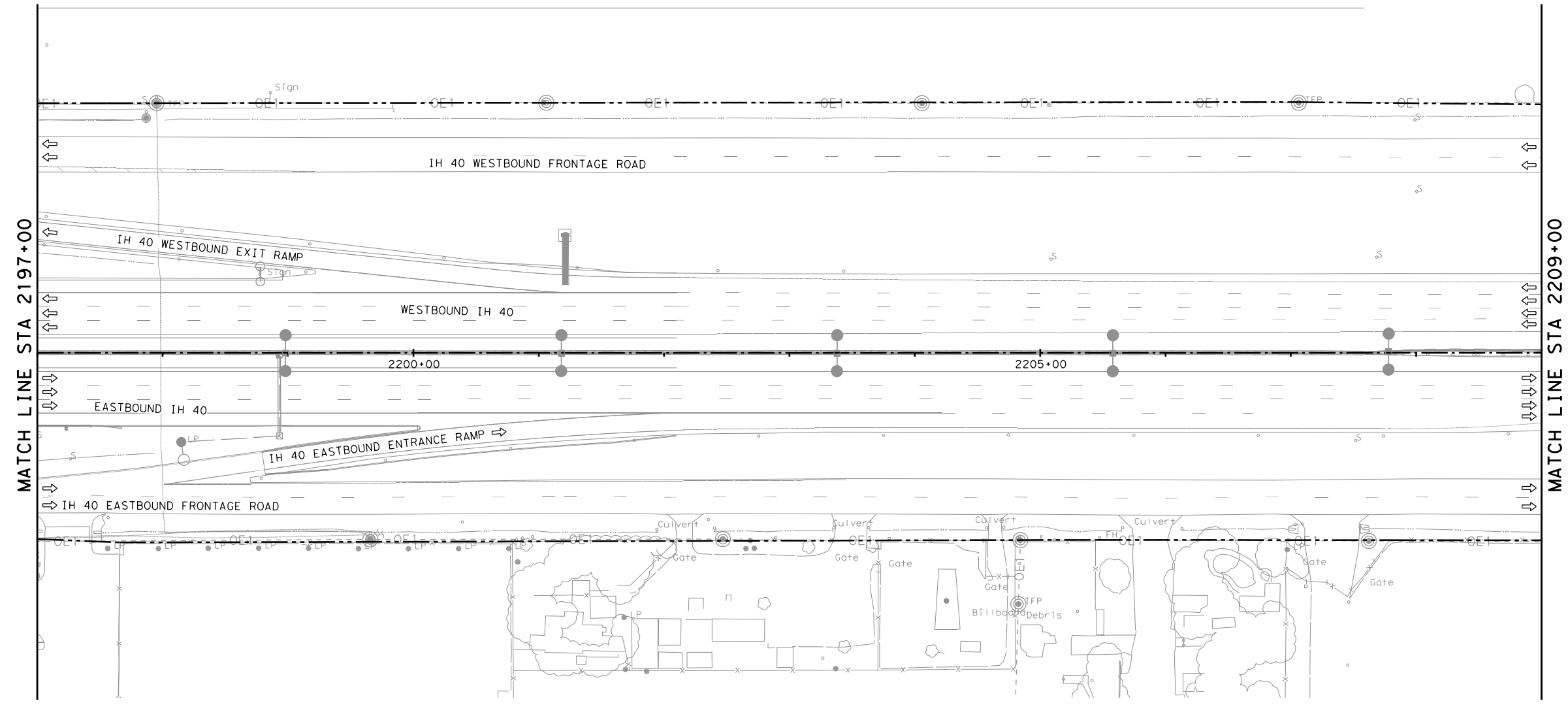



ILLUMINATION LAYOUT
 STA 2185+00 TO STA 2197+00

FED. RD. DIV. NO.	FEDERAL AID PROJECT NO.	HIGHWAY NO.
6	SEE TITLE SHEET	IH 40
STATE	DIST.	COUNTY
TEXAS	AMA	POTTER
CONT.	SECT.	JOB
0275	01	244

- GENERAL NOTES:**
- MATCH LINE AND ANNOTATION STATIONING IS BASED OFF IH 40.
 - EXISTING LUMINAIRES TO REMAIN THIS SHEET HAVE ALREADY BEEN UPGRADED TO LED FIXTURES.

NO WORK THIS SHEET






0' 25' 50' 100'

SCALE: 1" = 100'

LEGEND:

- APPROX. ROW
- EXIST. STANDARD ILLUM.
- EXIST. DBL. STAN. ILLUM.
- △ EXIST. UNDERPASS ILLUM.
- [R1] ○ EXIST. ILLUM. POLES TO BE REMOVED
- [U1] ○ EXIST. ILLUM. POLES TO BE UPGRADED TO LED FIXTURES
- EXIST. CONDUIT
- XX-X ○ PRO. HIGH MAST ILLUM. (6-LED ASYM FIXTURE)
- PRO. ELECTRIC SERVICE POINT
- PRO. TYPE A GROUND BOX WITH APRON
- ⊠ PRO. TYPE C GROUND BOX WITH APRON
- PRO. ELECTRICAL CONDUIT
- === PRO. BORED ELECTRICAL CONDUIT
- PRO. ELECTRICAL CONDUIT RIGID METAL
- XX-X → PRO. UNDERPASS LIGHT FIX. (150' W. EQ LED) (TY 1)
- PRO. DISCONNECT SWITCH
- ⊠ PRO. JUNCTION BOX
- XX-X LUMINAIRE ID
- ┌ LUMINAIRE NUMBER
- ├ CIRCUIT LETTER
- └ SERVICE NUMBER

NO.	DATE	REVISION	APPROVED





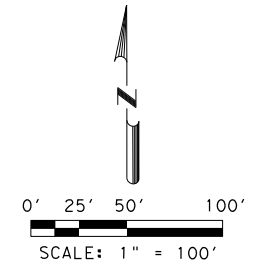
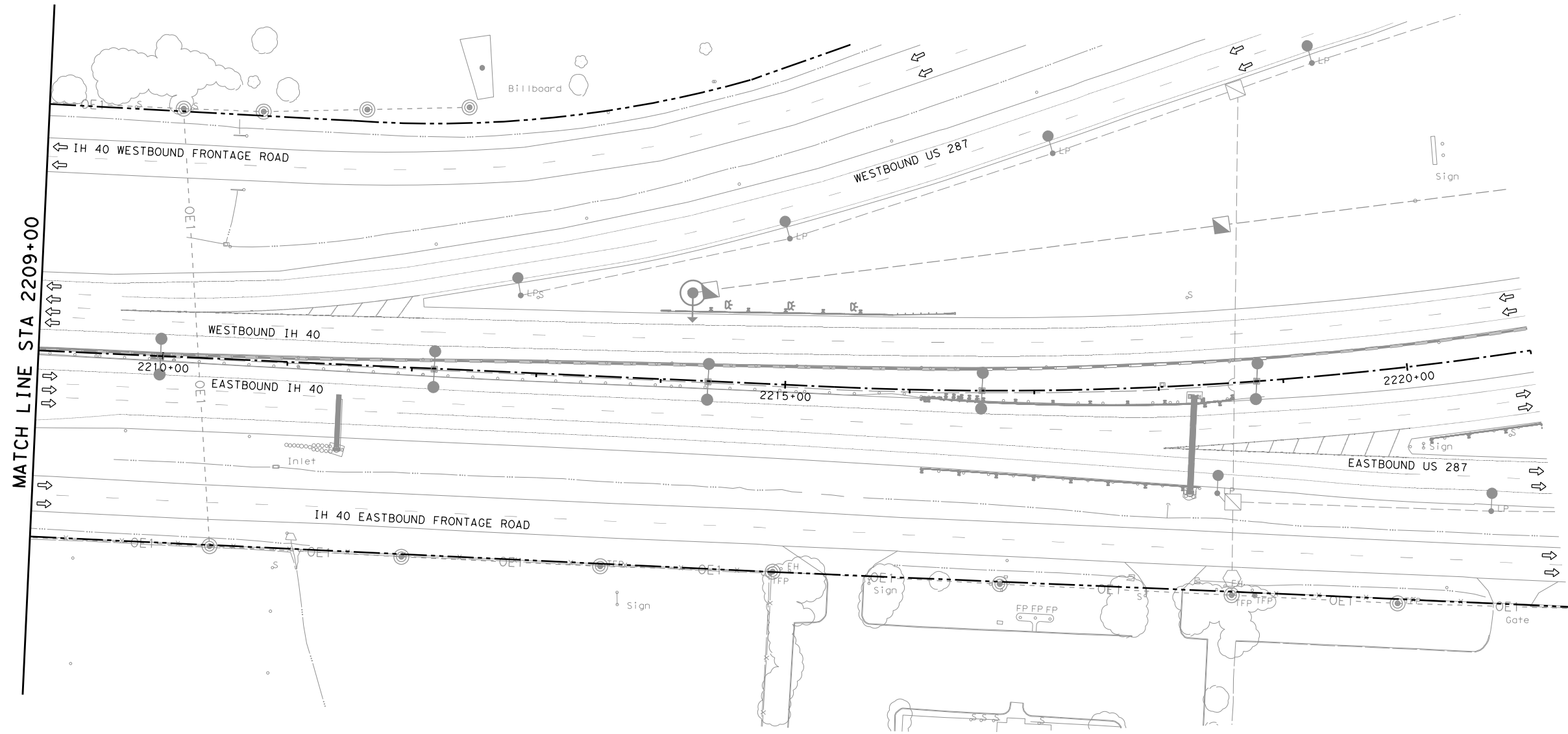
ILLUMINATION LAYOUT
 STA 2197+00 TO STA 2209+00

FED. RD. DIV. NO.	FEDERAL AID PROJECT NO.	HIGHWAY NO.
6	SEE TITLE SHEET	IH 40
STATE	DIST.	COUNTY
TEXAS	AMA	POTTER
CONT.	SECT.	JOB
0275	01	244

98

- GENERAL NOTES:
- MATCH LINE AND ANNOTATION STATIONING IS BASED OFF IH 40.
 - EXISTING LUMINAIRES TO REMAIN THIS SHEET HAVE ALREADY BEEN UPGRADED TO LED FIXTURES.

NO WORK THIS SHEET



- LEGEND:**
- APPROX. ROW
 - EXIST. STANDARD ILLUM.
 - EXIST. DBL. STAN. ILLUM.
 - △ EXIST. UNDERPASS ILLUM.
 - [R1] ○ EXIST. ILLUM. POLES TO BE REMOVED
 - [U1] ○ EXIST. ILLUM. POLES TO BE UPGRADED TO LED FIXTURES
 - EXIST. CONDUIT
 - XX-X ○ PRO. HIGH MAST ILLUM. (6-LED ASYM FIXTURE)
 - PRO. ELECTRIC SERVICE POINT
 - PRO. TYPE A GROUND BOX WITH APRON
 - ⊠ PRO. TYPE C GROUND BOX WITH APRON
 - PRO. ELECTRICAL CONDUIT
 - === PRO. BORED ELECTRICAL CONDUIT
 - PRO. ELECTRICAL CONDUIT RIGID METAL
 - XX-X → PRO. UNDERPASS LIGHT FIX. (150' W. EQ LED) (TY 1)
 - ⊠ PRO. DISCONNECT SWITCH
 - ⊠ PRO. JUNCTION BOX
 - XX-X LUMINAIRE ID
 - ┌ LUMINAIRE NUMBER
 - ├ CIRCUIT LETTER
 - └ SERVICE NUMBER

NO.	DATE	REVISION	APPROVED



ILLUMINATION LAYOUT
STA 2209+00 TO END PROJECT

SHEET 67 OF 67

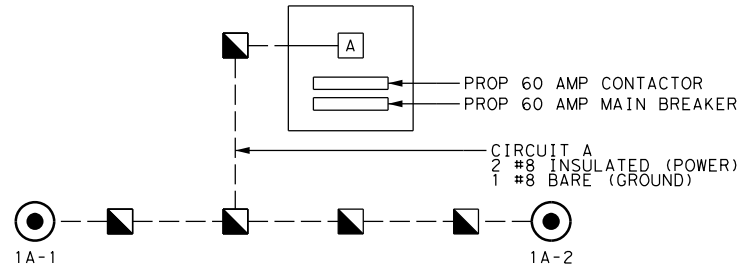
FED. RD. DIV. NO.	FEDERAL AID PROJECT NO.	HIGHWAY NO.
6	SEE TITLE SHEET	IH 40
STATE	DIST.	COUNTY
TEXAS	AMA	POTTER
CONT.	SECT.	JOB
0275	01	244
		99

- GENERAL NOTES:**
- MATCH LINE AND ANNOTATION STATIONING IS BASED OFF IH 40.
 - EXISTING LUMINAIRES TO REMAIN THIS SHEET HAVE ALREADY BEEN UPGRADED TO LED FIXTURES.
 - HIGH MAST ILLUMINATION TO BE CONSTRUCTED EAST BY SEPARATE PROJECT.

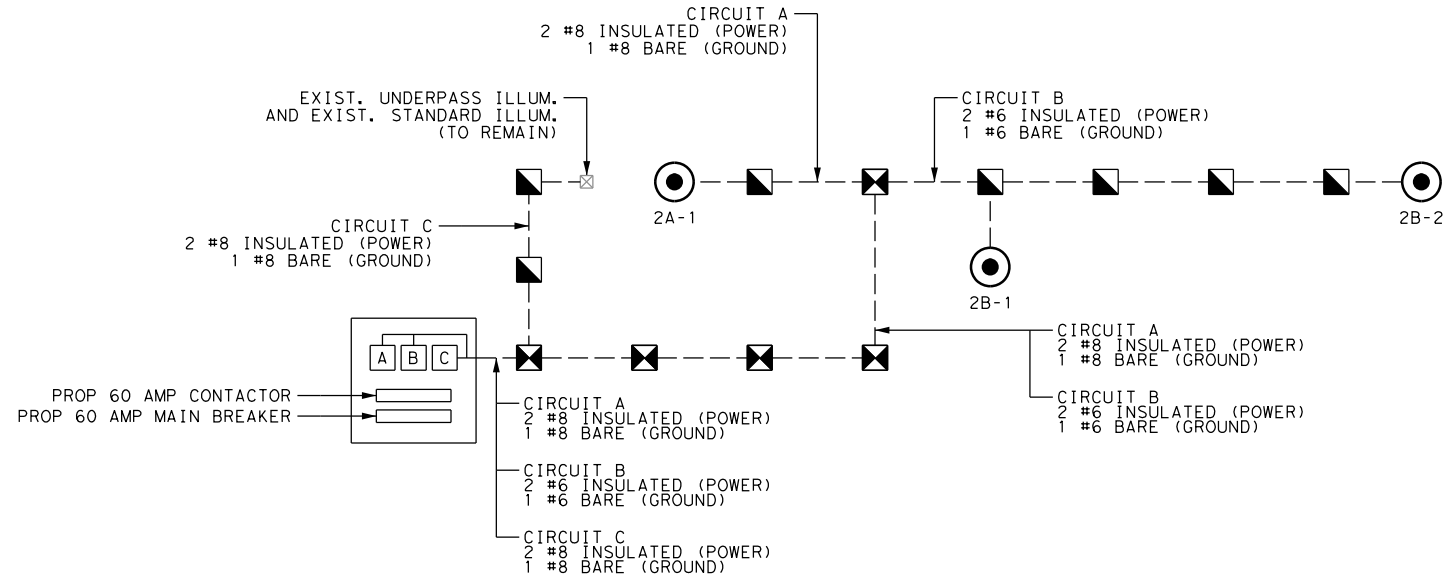
NO WORK THIS SHEET

LEGEND:

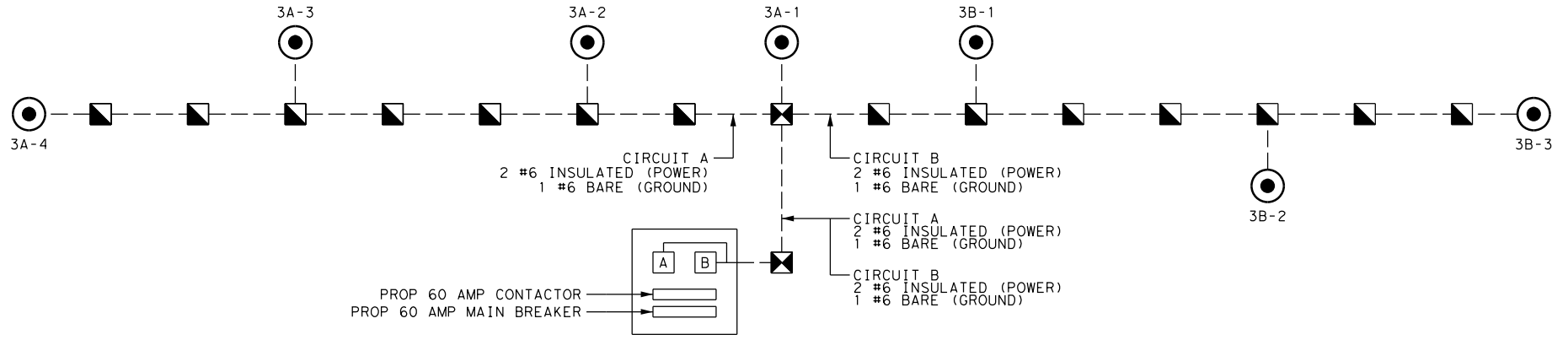
- PROP. HIGH MAST ILLUM. (6-LED ASYM FIXTURE)
- ◻ PROP. TYPE A GROUND BOX WITH APRON
- ◻ PROP. TYPE C GROUND BOX WITH APRON
- ▶ PROP. UNDERPASS LIGHT FIX. (150 W. EQ LED) (TY 1)
- ◻ PROP. DISCONNECT SWITCH
- ⊠ PROP. JUNCTION BOX
- XX-X LUMINAIRE ID
- LUMINAIRE NUMBER
- CIRCUIT LETTER
- SERVICE NUMBER



IH-40
 PROPOSED HIGH MAST ILLUMINATION
 ELECTRICAL SERVICE NO 1
 (TYPE A)
 240/480 VOLT
 @ IH 40
 SHEET 34

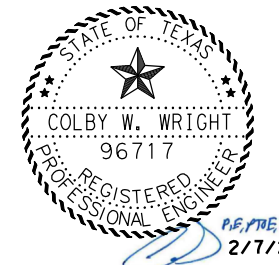


IH-40
 PROPOSED HIGH MAST ILLUMINATION
 ELECTRICAL SERVICE NO 2
 (TYPE A)
 240/480 VOLT
 @ IH 40
 SHEET 35



IH-40
 PROPOSED HIGH MAST ILLUMINATION
 ELECTRICAL SERVICE NO 3
 (TYPE A)
 240/480 VOLT
 @ IH 40
 SHEET 39

NO.	DATE	REVISION	APPROVED

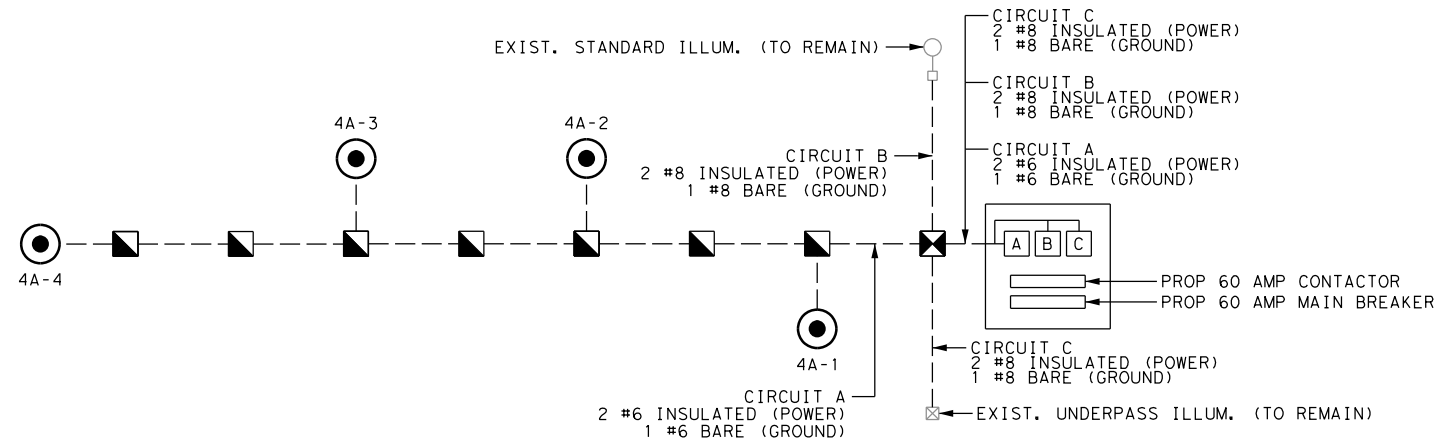


**IH 40
 CIRCUIT DIAGRAM**

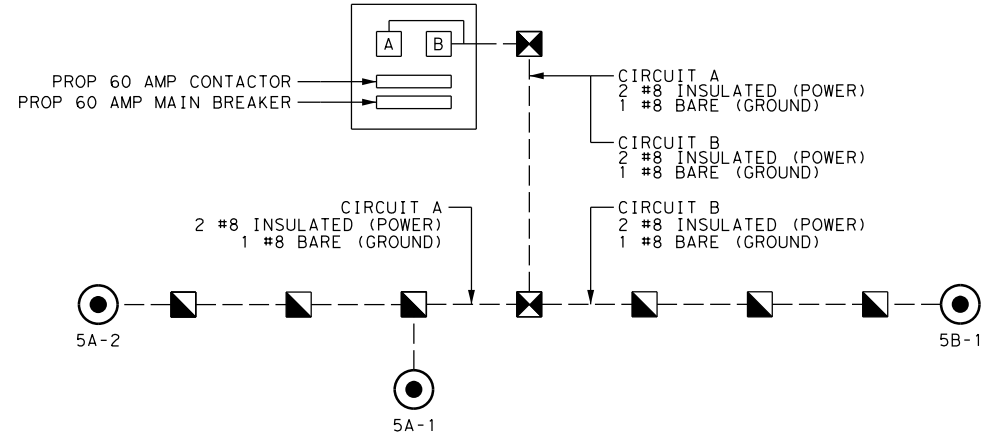
SHEET 1 OF 5

FED. RD. DIV. NO.	FEDERAL AID PROJECT NO.	HIGHWAY NO.
6	SEE TITLE SHEET	IH 40
STATE	DIST.	COUNTY
TEXAS	AMA	POTTER
CONT.	SECT.	JOB
0275	01	244

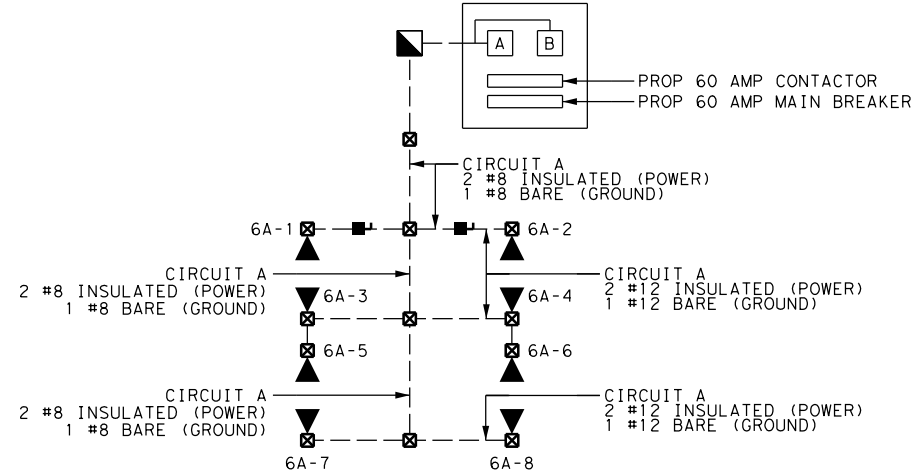
ELECTRICAL SERVICE DATA											
ELEC. SERVICE ID	ELECTRIC SERVICE DESCRIPTION	SERVICE CONDUIT SIZE	SERVICE CONDUCTORS NO./SIZE	SAFETY SWITCH AMPS	MAIN CIRCUIT BREAKER POLE/AMPS	TWO POLE CONTACTOR AMPS	PANEL BED/LOAD CENTER AMP RATING	BRANCH CIRCUIT ID	BRANCH CIRCUIT BREAKER POLE/AMPS	BRANCH CIRCUIT AMPS	KVA LOAD
1	ELC SRV TY A 240/480 060(NS)SS(E)SP(O)	1 1/2"	3/#6	N/A	2P/60	60	N/A	A - HMLP	2P/20	15	7.2
2	ELC SRV TY A 240/480 060(NS)SS(E)SP(O)	1 1/2"	3/#6	N/A	2P/60	60	N/A	A - HMLP	2P/20	7.5	12.1
								B - HMLP	2P/20	15	
								C - SL & UPLF	2P/20	2.66	
3	ELC SRV TY A 240/480 060(NS)SS(E)SP(O)	1 1/2"	3/#6	N/A	2P/60	60	N/A	A - HMLP	2P/40	30	25.2
								B - HMLP	2P/30	22.5	



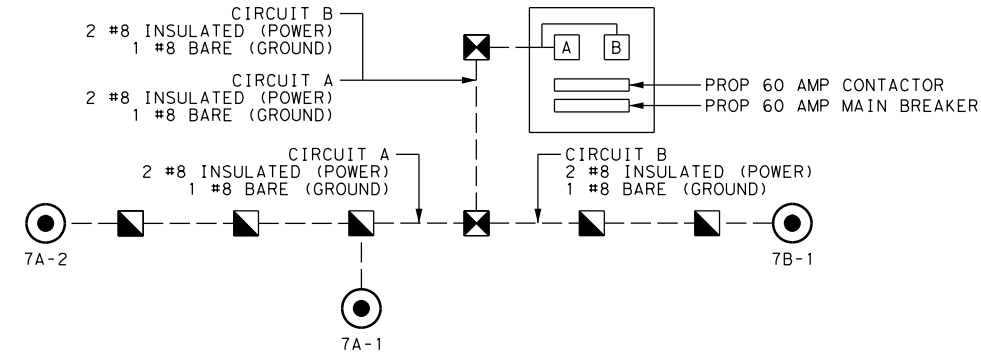
IH-40
 PROPOSED HIGH MAST ILLUMINATION
 ELECTRICAL SERVICE NO 4
 (TYPE A)
 240/480 VOLT
 IH 40
 SHEET 44



IH-40
 PROPOSED HIGH MAST ILLUMINATION
 ELECTRICAL SERVICE NO 5
 (TYPE A)
 240/480 VOLT
 IH 40
 SHEET 46



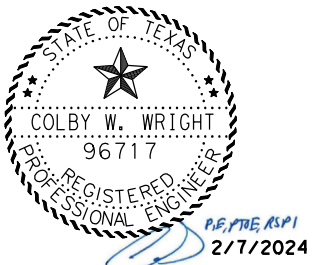
IH-40
 PROPOSED HIGH MAST ILLUMINATION
 ELECTRICAL SERVICE NO 6
 (TYPE A)
 240/480 VOLT
 IH 40
 SHEET 47



IH-40
 PROPOSED HIGH MAST ILLUMINATION
 ELECTRICAL SERVICE NO 7
 (TYPE A)
 240/480 VOLT
 IH 40
 SHEET 48

- LEGEND:**
- PROP. HIGH MAST ILLUM. (6-LED ASYM FIXTURE)
 - ◻ PROP. TYPE A GROUND BOX WITH APRON
 - ◻ PROP. TYPE C GROUND BOX WITH APRON
 - ▶ PROP. UNDERPASS LIGHT FIX. (150 W. EQ LED) (TY 1)
 - ⊞ PROP. DISCONNECT SWITCH
 - ⊞ PROP. JUNCTION BOX
 - XX-X LUMINAIRE ID
 - └── LUMINAIRE NUMBER
 - └── CIRCUIT LETTER
 - └── SERVICE NUMBER

NO.	DATE	REVISION	APPROVED



**IH 40
 CIRCUIT DIAGRAM**

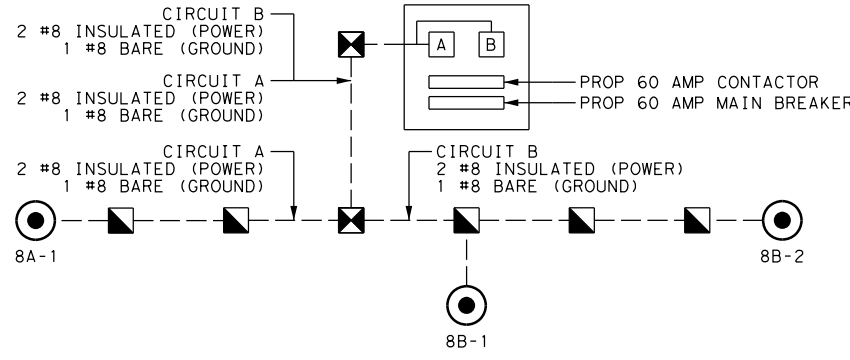
SHEET 2 OF 5

FED. RD. DIV. NO.	FEDERAL AID PROJECT NO.	HIGHWAY NO.
6	SEE TITLE SHEET	IH 40
STATE	DIST.	COUNTY
Texas	AMA	POTTER
CONT.	SECT.	JOB
0275	01	244

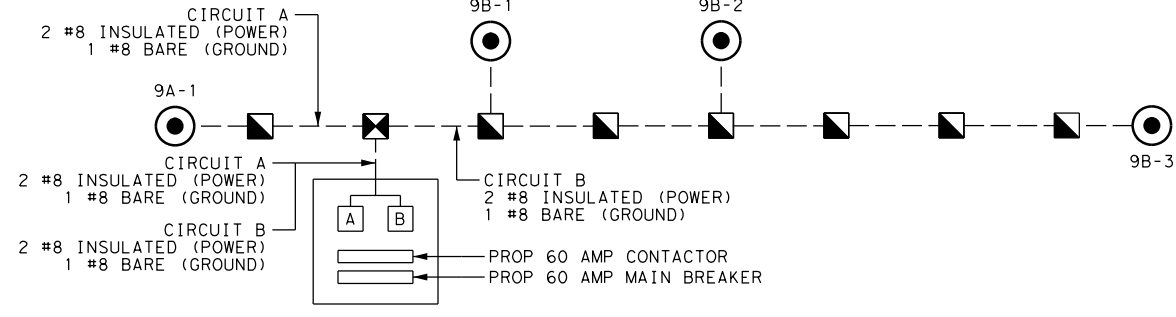
ELECTRICAL SERVICE DATA											
ELEC. SERVICE ID	ELECTRIC SERVICE DESCRIPTION	SERVICE CONDUIT SIZE	SERVICE CONDUCTORS NO./SIZE	SAFETY SWITCH AMPS	MAIN CIRCUIT BREAKER POLE/AMPS	TWO POLE CONTACTOR AMPS	PANEL BED/LOAD CENTER AMP RATING	BRANCH CIRCUIT ID	BRANCH CIRCUIT BREAKER POLE/AMPS	BRANCH CIRCUIT AMPS	KVA LOAD
4	ELC SRV TY A 240/480 060(NS)SS(E)SP(O)	1 1/2"	3/#2	N/A	2P/60	60	N/A	A - HMLP	2P/40	30	15.6
								B - SL	2P/20	0.7	
								C - UPLF	2P/20	1.7	
5	ELC SRV TY A 240/480 060(NS)SS(E)SP(O)	1 1/2"	3/#6	N/A	2P/60	60	N/A	A - HMLP	2P/20	15	10.8
								B - HMLP	2P/20	7.5	
6	ELC SRV TY A 240/480 060(NS)SS(E)SP(O)	1 1/2"	3/#6	N/A	2P/60	60	N/A	A - UPLF	2P/20	1.7	0.8
								B - HMLP	2P/20	15	
7	ELC SRV TY A 240/480 060(NS)SS(E)SP(O)	1 1/2"	3/#6	N/A	2P/60	60	N/A	A - HMLP	2P/20	15	10.8
								B - HMLP	2P/20	7.5	

LEGEND:

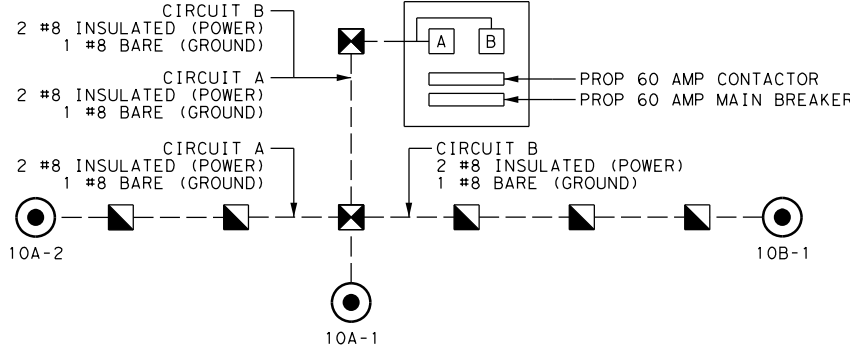
- PROP. HIGH MAST ILLUM. (6-LED ASYM FIXTURE)
- PROP. TYPE A GROUND BOX WITH APRON
- PROP. TYPE C GROUND BOX WITH APRON
- PROP. UNDERPASS LIGHT FIX. (150 W. EQ LED) (TY 1)
- PROP. DISCONNECT SWITCH
- PROP. JUNCTION BOX
- XX-X LUMINAIRE ID
- LUMINAIRE NUMBER
- CIRCUIT LETTER
- SERVICE NUMBER



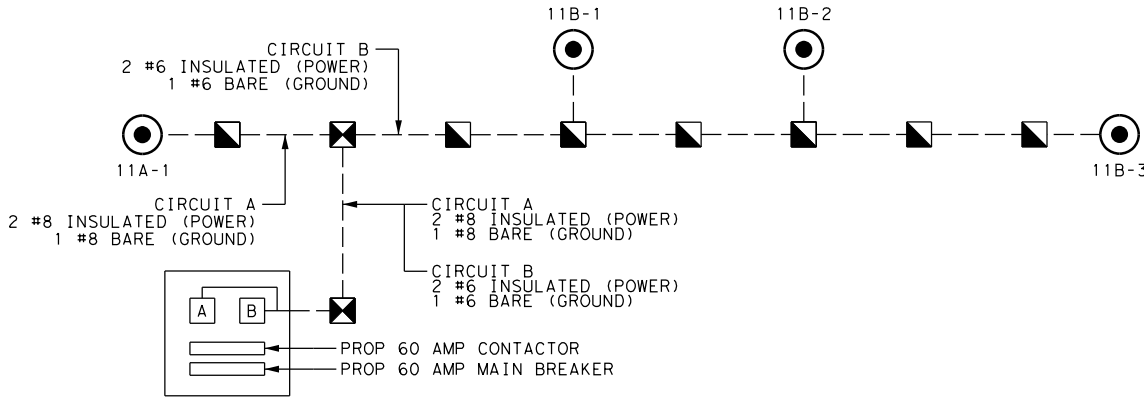
IH-40
 PROPOSED HIGH MAST ILLUMINATION
 ELECTRICAL SERVICE NO 8
 (TYPE A)
 240/480 VOLT
 @ IH 40
 SHEET 50



IH-40
 PROPOSED HIGH MAST ILLUMINATION
 ELECTRICAL SERVICE NO 9
 (TYPE A)
 240/480 VOLT
 @ IH 40
 SHEET 53



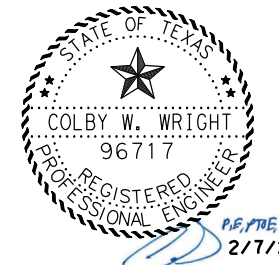
IH-40
 PROPOSED HIGH MAST ILLUMINATION
 ELECTRICAL SERVICE NO 10
 (TYPE A)
 240/480 VOLT
 @ IH 40
 SHEET 56



IH-40
 PROPOSED HIGH MAST ILLUMINATION
 ELECTRICAL SERVICE NO 11
 (TYPE A)
 240/480 VOLT
 @ IH 40
 SHEET 57

ELECTRICAL SERVICE DATA											
ELEC. SERVICE ID	ELECTRIC SERVICE DESCRIPTION	SERVICE CONDUIT SIZE	SERVICE CONDUCTORS NO./SIZE	SAFETY SWITCH AMPS	MAIN CIRCUIT BREAKER POLE/AMPS	TWO POLE CONTACTOR AMPS	PANEL BED/LOAD CENTER AMP RATING	BRANCH CIRCUIT ID	BRANCH CIRCUIT BREAKER POLE/AMPS	BRANCH CIRCUIT AMPS	KVA LOAD
8	ELC SRV TY A 240/480 060 (NS) SS (E) SP (O)	1 1/2"	3/#6	N/A	2P/60	60	N/A	A - HMLP	2P/20	7.5	10.8
								B - HMLP	2P/20	15	
9	ELC SRV TY A 240/480 060 (NS) SS (E) SP (O)	1 1/2"	3/#6	N/A	2P/60	60	N/A	A - HMLP	2P/20	7.5	14.4
								B - HMLP	2P/30	22.5	
10	ELC SRV TY A 240/480 060 (NS) SS (E) SP (O)	1 1/2"	3/#6	N/A	2P/60	60	N/A	A - HMLP	2P/20	15	10.8
								B - HMLP	2P/20	7.5	
11	ELC SRV TY A 240/480 060 (NS) SS (E) SP (O)	1 1/2"	3/#6	N/A	2P/60	60	N/A	A - HMLP	2P/20	7.5	14.4
								B - HMLP	2P/30	22.5	

NO.	DATE	REVISION	APPROVED



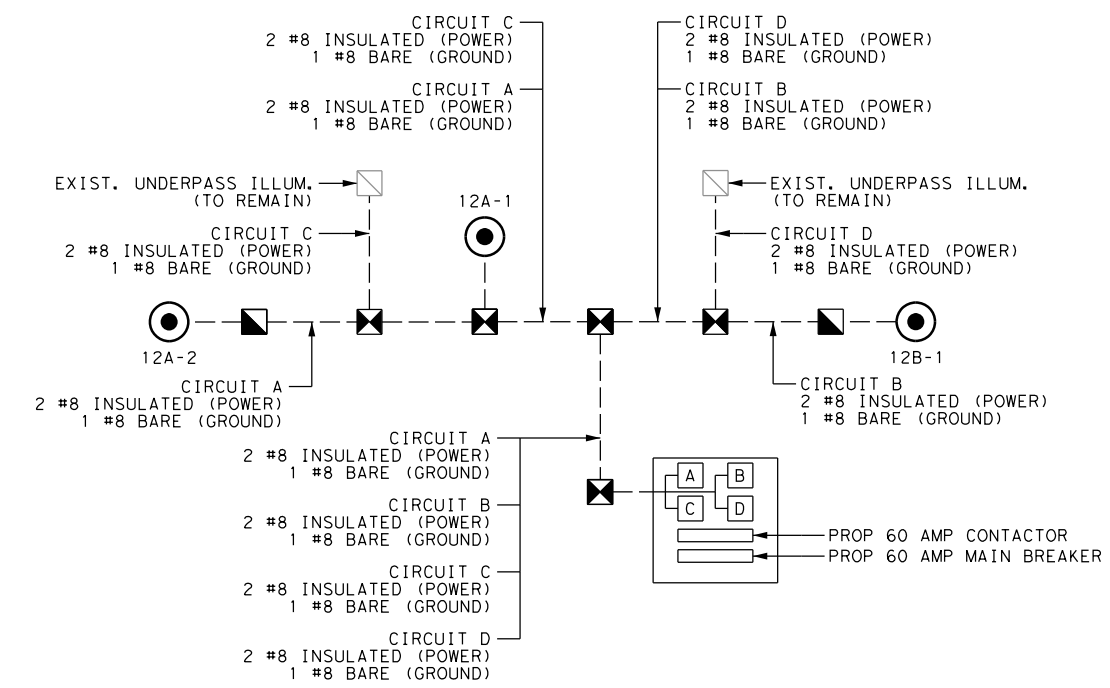
**IH 40
 CIRCUIT DIAGRAM**

SHEET 3 OF 5

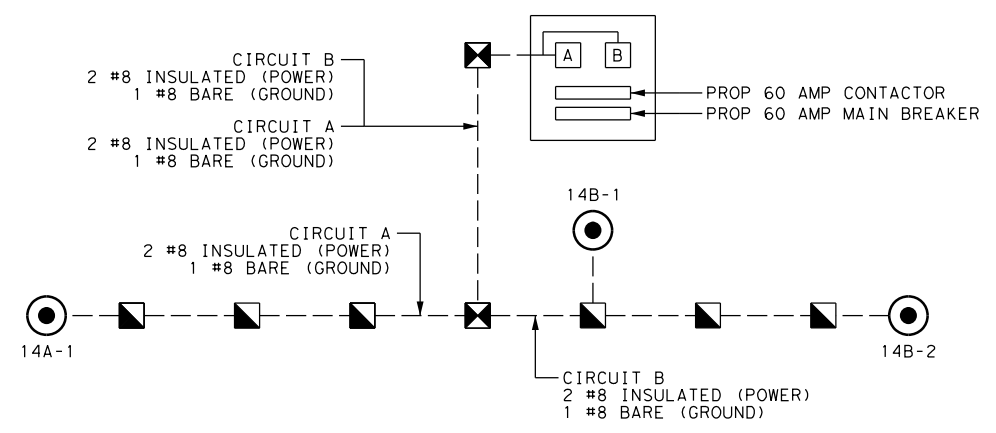
FED. RD. DIV. NO.	FEDERAL AID PROJECT NO.	HIGHWAY NO.
6	SEE TITLE SHEET	IH 40
STATE	DIST.	COUNTY
TEXAS	AMA	POTTER
CONT.	SECT.	JOB
0275	01	244

102

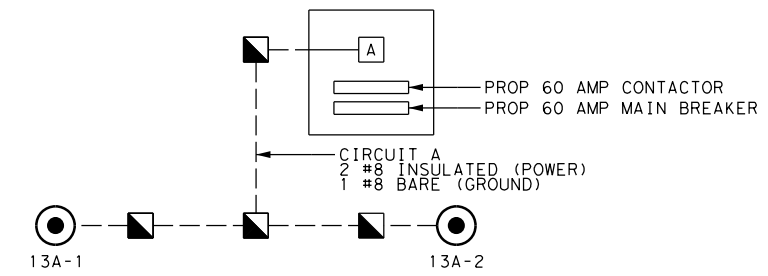
DATE: 2/7/2024 9:48:40 AM
 FILE: K:\01509\01509-0027-10 TXDOT AMA PS&E IH 40 TRAFFIC SWA1\Sheets\PS&E\PS&E_IH 40 TRAFFIC SWA1_CIRCUIT DIAGRAM_04.dgn
 USER: T_Cowser
 PLOT DRIVER: BW_HALF_PDF.plt
 PENTABLE: IH40_SWA1_penTable.tbl



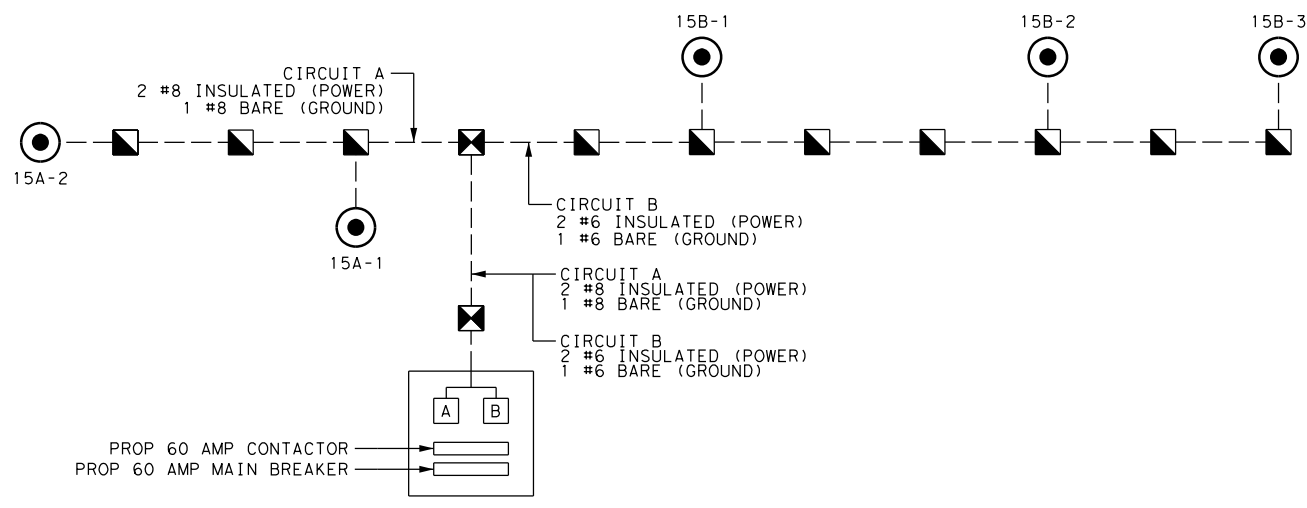
IH-40
 PROPOSED HIGH MAST ILLUMINATION
 ELECTRICAL SERVICE NO 12
 (TYPE A)
 240/480 VOLT
 IH 40
 SHEET 60



IH-40
 PROPOSED HIGH MAST ILLUMINATION
 ELECTRICAL SERVICE NO 14
 (TYPE A)
 240/480 VOLT
 IH 40
 SHEET 66



IH-40
 PROPOSED HIGH MAST ILLUMINATION
 ELECTRICAL SERVICE NO 13
 (TYPE A)
 240/480 VOLT
 IH 40
 SHEET 65

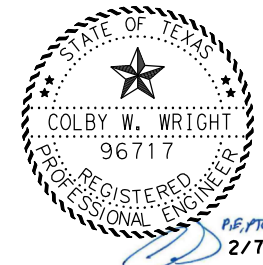


IH-40
 PROPOSED HIGH MAST ILLUMINATION
 ELECTRICAL SERVICE NO 15
 (TYPE A)
 240/480 VOLT
 IH 40
 SHEET 69

- LEGEND:**
- ⊙ PROP. HIGH MAST ILLUM. (6-LED ASYM FIXTURE)
 - ▣ PROP. TYPE A GROUND BOX WITH APRON
 - ▤ PROP. TYPE C GROUND BOX WITH APRON
 - ▶ PROP. UNDERPASS LIGHT FIX. (150 W. EQ LED) (TY 1)
 - ⊠ PROP. DISCONNECT SWITCH
 - ⊞ PROP. JUNCTION BOX
 - XX-X LUMINAIRE ID
 - ┌ LUMINAIRE NUMBER
 - ├ CIRCUIT LETTER
 - └ SERVICE NUMBER

ELECTRICAL SERVICE DATA											
ELEC. SERVICE ID	ELECTRIC SERVICE DESCRIPTION	SERVICE CONDUIT SIZE	SERVICE CONDUCTORS NO./SIZE	SAFETY SWITCH AMPS	MAIN CIRCUIT BREAKER POLE/AMPS	TWO POLE CONTACTOR AMPS	PANEL BED/LOAD CENTER AMP RATING	BRANCH CIRCUIT ID	BRANCH CIRCUIT BREAKER POLE/AMPS	BRANCH CIRCUIT AMPS	KVA LOAD
12	ELC SRV TY A 240/480 060(NS)SS(E)SP(O)	1 1/2"	3/#6	N/A	2P/60	60	N/A	A - HMLP	2P/20	15	14.1
								B - HMLP	2P/20	7.5	
								C - UPLF	2P/20	1.7	
								D - UPLF	2P/20	5.1	
13	ELC SRV TY A 240/480 060(NS)SS(E)SP(O)	1 1/2"	3/#6	N/A	2P/60	60	N/A	A - HMLP	2P/20	15	7.2
14	ELC SRV TY A 240/480 060(NS)SS(E)SP(O)	1 1/2"	3/#6	N/A	2P/60	60	N/A	A - HMLP	2P/20	7.5	10.8
								B - HMLP	2P/20	15	
15	ELC SRV TY A 240/480 060(NS)SS(E)SP(O)	1 1/2"	3/#6	N/A	2P/60	60	N/A	A - HMLP	2P/20	15	18.0
								B - HMLP	2P/30	22.5	

NO.	DATE	REVISION	APPROVED

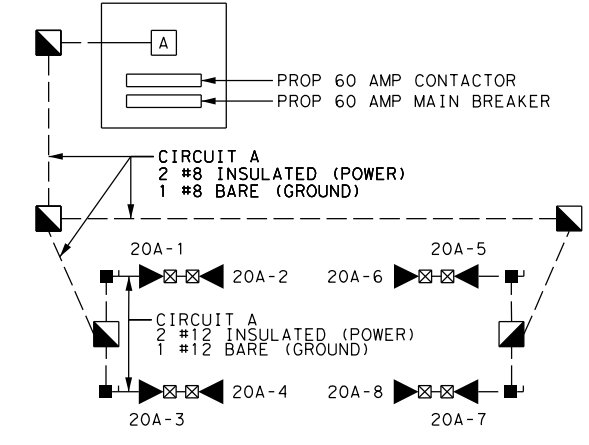
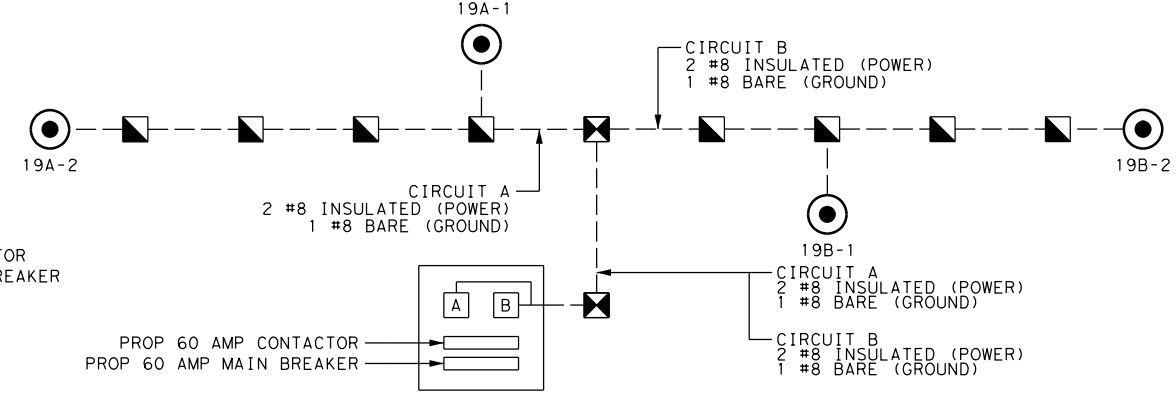
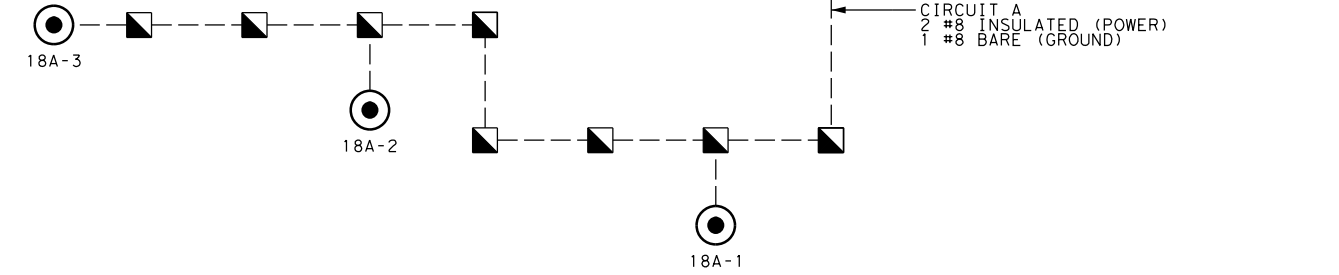
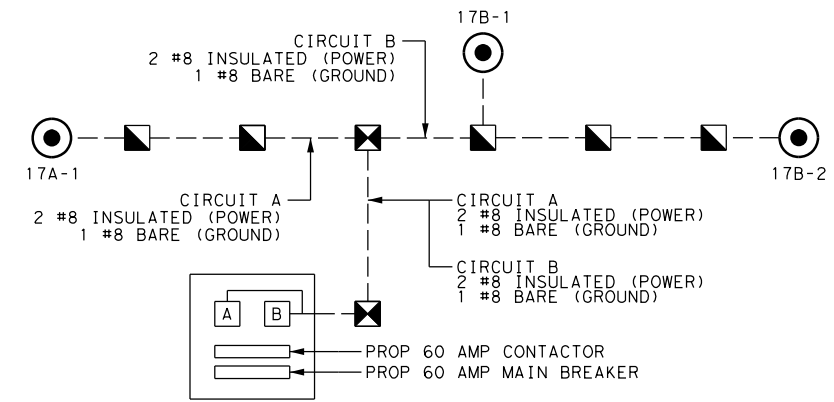
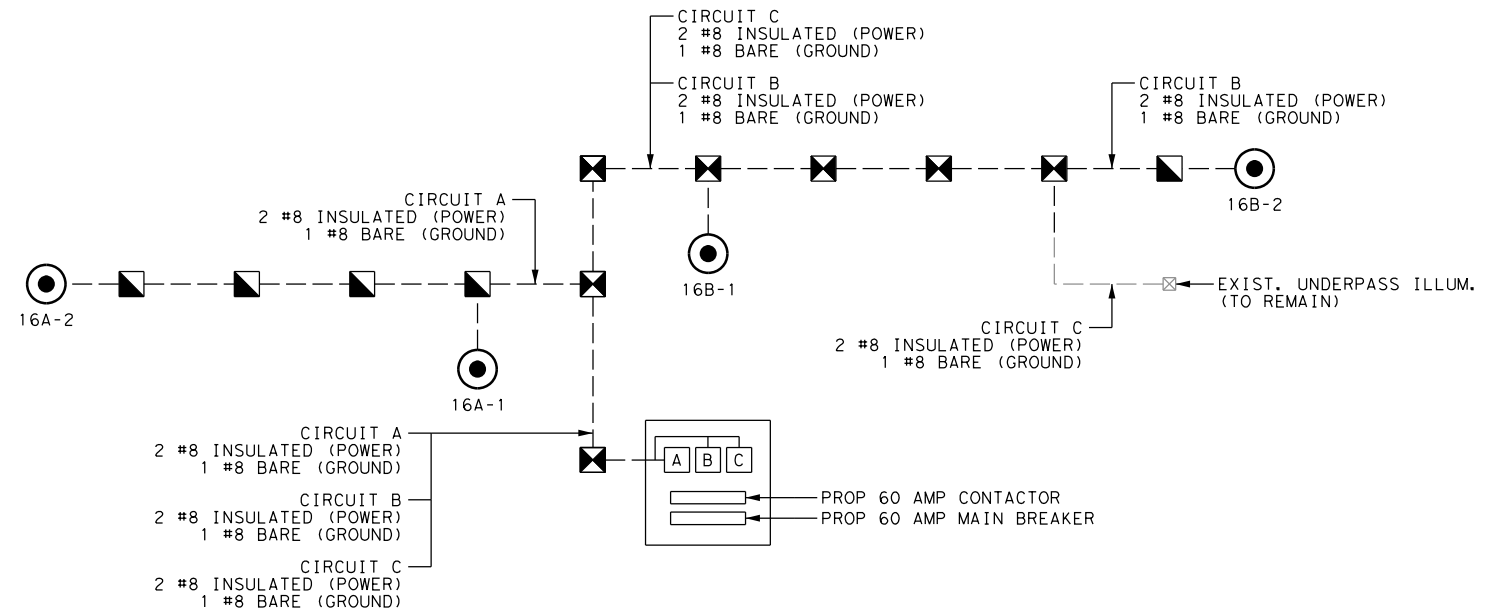


**IH 40
 CIRCUIT DIAGRAM**

SHEET 4 OF 5

FED. RD. DIV. NO.	FEDERAL AID PROJECT NO.	HIGHWAY NO.
6	SEE TITLE SHEET	IH 40
STATE	DIST.	COUNTY
TEXAS	AMA	POTTER
CONT.	SECT.	JOB
0275	01	244

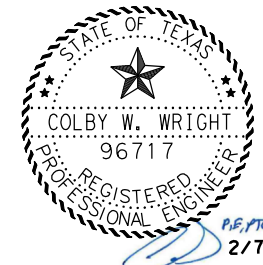
103



- LEGEND:**
- PROP. HIGH MAST ILLUM. (6-LED ASYM FIXTURE)
 - ▣ PROP. TYPE A GROUND BOX WITH APRON
 - ▤ PROP. TYPE C GROUND BOX WITH APRON
 - ▶ PROP. UNDERPASS LIGHT FIX. (150 W. EQ LED) (TY 1)
 - ⊞ PROP. DISCONNECT SWITCH
 - ⊞ PROP. JUNCTION BOX
 - XX-X LUMINAIRE ID
 - LUMINAIRE NUMBER
 - CIRCUIT LETTER
 - SERVICE NUMBER

ELECTRICAL SERVICE DATA											
ELEC. SERVICE ID	ELECTRIC SERVICE DESCRIPTION	SERVICE CONDUIT SIZE	SERVICE CONDUCTORS NO./SIZE	SAFETY SWITCH AMPS	MAIN CIRCUIT BREAKER POLE/AMPS	TWO POLE CONTACTOR AMPS	PANEL BED/LOAD CENTER AMP RATING	BRANCH CIRCUIT ID	BRANCH CIRCUIT BREAKER POLE/AMPS	BRANCH CIRCUIT AMPS	KVA LOAD
16	ELC SRV TY A 240/480 060(NS)SS(E)SP(O)	1 1/2"	3/#6	N/A	2P/60	60	N/A	A - HMLP	2P/20	15	15.6
17	ELC SRV TY A 240/480 060(NS)SS(E)SP(O)	1 1/2"	3/#6	N/A	2P/60	60	N/A	B - HMLP	2P/20	15	
18	ELC SRV TY A 240/480 060(NS)SS(E)SP(O)	1 1/2"	3/#6	N/A	2P/60	60	N/A	C - UPLF	2P/20	2.5	
19	ELC SRV TY A 240/480 060(NS)SS(E)SP(O)	1 1/2"	3/#6	N/A	2P/60	60	N/A	A - HMLP	2P/20	7.5	10.8
18	ELC SRV TY A 240/480 060(NS)SS(E)SP(O)	1 1/2"	3/#6	N/A	2P/60	60	N/A	B - HMLP	2P/20	15	
20	ELC SRV TY A 240/480 060(NS)SS(E)SP(O)	1 1/2"	3/#6	N/A	2P/60	60	N/A	A - HMLP	2P/30	22.5	10.8
19	ELC SRV TY A 240/480 060(NS)SS(E)SP(O)	1 1/2"	3/#6	N/A	2P/60	60	N/A	A - HMLP	2P/20	15	
20	ELC SRV TY A 240/480 060(NS)SS(E)SP(O)	1 1/2"	3/#6	N/A	2P/60	60	N/A	A - UPLF	2P/20	1.7	0.8

NO.	DATE	REVISION	APPROVED



**IH 40
 CIRCUIT DIAGRAM**

FED. RD. DIV. NO.	FEDERAL AID PROJECT NO.	HIGHWAY NO.
6	SEE TITLE SHEET	IH 40
STATE	DIST.	COUNTY
TEXAS	AMA	POTTER
CONT.	SECT.	JOB
0275	01	244
		104

DATE: 2/7/2024 9:48:41 AM
 FILE: K:\01509\01509-0027-10 TxDOT AMA PS&E_IH_40\TRAFFIC\SWA1\Standards\edg-11118.dwg
 The use of this standard is governed by the "Texas Engineering Practice Act". No warranty of any kind is made by TxDOT for any purpose whatsoever. TxDOT assumes no responsibility for the conversion of this standard to other formats or for incorrect results or damages resulting from its use.

GENERAL NOTES FOR ALL ELECTRICAL WORK

1. The location of all conduits, junction boxes, ground boxes, and electrical services is diagrammatic and may be shifted to accommodate field conditions.
2. Provide new and unused materials. Ensure that all materials and installations comply with the applicable articles of the National Electrical Code (NEC), TxDOT standards and specifications, National Electrical Manufacturers Association (NEMA), and are listed by Underwriters Laboratories (UL) or a Nationally Recognized Testing Lab (NRTL). NRTLs such as Canadian Standard Association (CSA), Intertek Testing Services NA Inc., or FM Approvals LLC can be considered equivalent to UL. Where reference is made to NEMA listed devices, International Electrotechnical Commission (IEC) listed devices will not be considered an acceptable equal to a NEMA listed device. Acceptable devices may have both a NEMA and IEC listing. Faulty fabrication or poor workmanship in any material, equipment, or installation is justification for rejection. Replace or reinstall rejected material or equipment at no additional cost to the Department.
3. Miscellaneous nuts, bolts and hardware, except for high strength bolts, may be stainless steel when plans specify galvanized, provided the bolt size is 1/2 in. or less in diameter.
4. Provide the following test equipment as required by the Engineer to confirm compliance with the contract and the NEC: voltmeter, ammeter, megohm meter (1000 volt DC), ground resistance tester, torque wrenches, and torque screwdrivers. Ensure all equipment has been properly calibrated within the last year. Provide calibration certification to the Engineer upon request. Operate test equipment during inspection as requested by the Engineer.
5. Install grounding as shown on the plans and in accordance with the NEC. Ensure all metallic conduits; metal poles; luminaires; and metal enclosures are bonded to the equipment grounding conductor. Provide stranded bare copper or green insulated grounding conductors. Ground rods, connectors, and bonding jumpers are subsidiary to the various bid items.
6. When required by the Engineer, notify the Department in writing of materials from the Material Producers List (MPL) intended for use on each project. Prequalified materials are listed on the MPL on TxDOT's website under "Roadway Illumination and Electrical Supplies." No substitutions will be allowed for materials on this list.

CONDUIT

A. MATERIALS

1. Provide conduit, junction boxes, fittings, and hardware as per TxDOT Departmental Material Specification (DMS) 11030 "Conduit" and Item 618 "Conduit" of TxDOT's "Standard Specifications For Construction And Maintenance Of Highways, Streets, And Bridges," latest edition. Provide conduits listed under Item 618 on the MPL under "Roadway Illumination and Electrical Supplies." Provide conduit types according to the descriptive code or as shown on the plans. Do not substitute other types of conduits for those shown. Provide liquidtight flexible metal conduit (LFMC) when flexible conduit is called for on galvanized steel rigid metallic conduit (RMC) systems. Provide liquidtight flexible nonmetallic conduit (LFNC) when flexible conduit is called for on polyvinyl chloride (PVC) systems.
2. Provide galvanized steel RMC for all exposed conduits, unless otherwise shown on the plans. Properly bond all metal conduits.
3. Unless otherwise shown on the plans, provide junction boxes with a minimum size as shown in the following table, which applies to the greatest number of conductors entering the box through one conduit with no more than four conduits per box. When a mixture of conductor sizes is present, count the conductors as if all are of the larger size. For situations not applicable to the table, size junction boxes in accordance with NEC.



AWG	3 CONDUCTORS	5 CONDUCTORS	7 CONDUCTORS
#1	10" x 10" x 4"	12" x 12" x 4"	16" x 16" x 4"
#2	8" x 8" x 4"	10" x 10" x 4"	12" x 12" x 4"
#4	8" x 8" x 4"	10" x 10" x 4"	10" x 10" x 4"
#6	8" x 8" x 4"	8" x 8" x 4"	10" x 10" x 4"
#8	8" x 8" x 4"	8" x 8" x 4"	8" x 8" x 4"

4. Junction boxes with an internal volume of less than 100 cu. in. and supported by entering raceways must have threaded entries or hubs identified for the intended purpose and supported by connection of two or more rigid metal conduits. Secure conduit within 3 ft. of the enclosure or within 18 in. of the enclosure if all conduit entries are on the same side. Mechanically secure all junction boxes with an internal volume greater than 100 cu. inches.
5. Provide hot dipped galvanized cast iron or sand cast aluminum outlet boxes for junction boxes containing only 10 AWG or 12 AWG conductors. Do not use die cast aluminum boxes. Size outlet boxes according to the NEC.
6. Do not use intermediate metal conduit (IMC) or electrical metallic tubing (EMT) unless specifically required by the plan sheets. When EMT is called for, provide junction boxes made from galvanized steel sheeting, listed and approved for outdoor use, unless otherwise noted on the plans. Size all galvanized steel junction boxes in accordance with the NEC. Provide junction boxes for IMC conduit systems that meet the same requirements for junction boxes used with RMC systems.
7. Provide PVC junction boxes intended for outdoor use on PVC conduit systems, unless otherwise noted on the plans.

8. Provide PVC elbows in PVC conduit systems, unless otherwise shown on the plans. Use only a flat, high tensile strength polyester fiber pull tape for pulling conductors through the PVC conduit system. When galvanized steel RMC elbows are specifically called for in the plans and any portion of the RMC elbow is buried less than 18 in., ground the RMC elbow by means of a grounding bushing on a rigid metal extension. Grounding of the rigid metal elbow is not required if the entire RMC elbow is encased in a minimum of 2 in. of concrete. PVC extensions are allowed on these concrete encased rigid metal elbows. RMC or PVC elbows are subsidiary to various bid items.
9. When required, provide High-Density Polyethylene (HDPE) conduit with factory installed internal conductors according to Item 622 "Duct Cable." At the Contractor's request and with approval by the Engineer, substitute HDPE conduit with no conductors for bored schedule 40 or schedule 80 PVC conduit bid under Item 618. Ensure bored HDPE substituted for PVC is schedule 40 and of the same size PVC called for in the plans. Ensure the substituted HDPE meets the requirements of Item 622, except that the conduit is supplied without factory-installed conductors. Make the transition of the HDPE conduit to PVC (or RMC elbow when required) at the bore pit. Provide conduit of the size and schedule as shown on the plans. Do not extend substituted conduit into ground boxes or foundations. Provide PVC or galvanized steel RMC elbows as called for at all ground boxes and foundations.
10. Use two-hole straps when supporting 2 in. and larger conduits. On electrical service poles, properly sized stainless steel or hot dipped galvanized one-hole standoff straps are allowed on the service riser conduit.

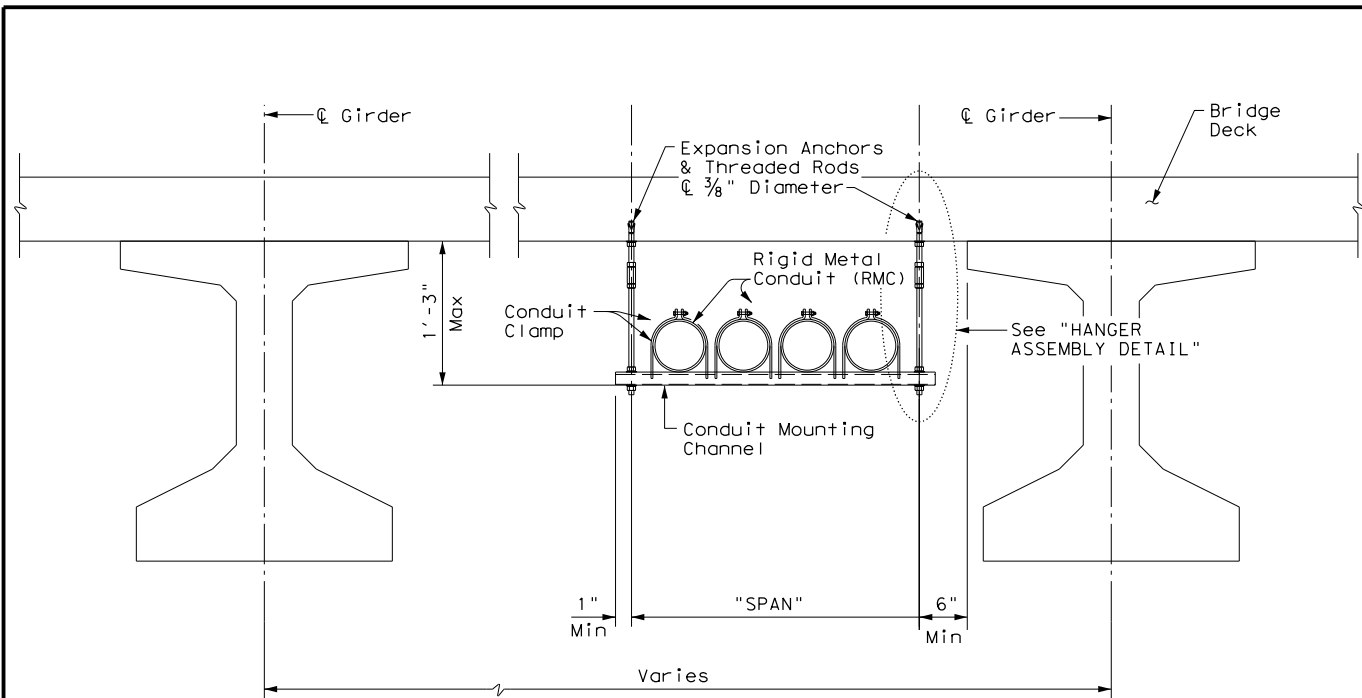
B. CONSTRUCTION METHODS

1. Provide and install expansion joint conduit fittings on all structure-mounted conduits at the structure's expansion joints to allow for movement of the conduit. In addition, provide and install expansion joint fittings on all continuous runs of galvanized steel RMC conduit externally exposed on structures such as bridges at maximum intervals of 150 ft. When requested by the project Engineer, supply manufacturer's specification sheet for expansion joint conduit fittings. Repair or replace expansion joint fittings that do not allow for movement at no additional cost to the Department. Provide the method of determining the amount of expansion to the Engineer upon request. Do not use LFMC or LFNC as a substitute for the required expansion conduit fittings.
2. Space all conduit supports at maximum intervals of 5 ft. Install conduit spacers when attaching metal conduit to surface of concrete structures. See "Conduit Mounting Options" on ED(2). Install conduit support within 3 ft. of all enclosures and conduit terminations.
3. Do not attach conduit supports directly to pre-stressed concrete beams except as shown specifically in the plans or as approved by the Engineer.
4. Unless otherwise shown on the plans, jack or bore conduit placed beneath existing roadways, driveways, sidewalks, or after the base or surfacing operation has begun. Backfill and compact the bore pits below the conduit per Item 476 "Jacking, Boring, or Tunneling Pipe or Box" prior to installing conduit or duct cable to prevent bending of the connections.
5. When placing conduit in the sub-grade of new roadways, backfill all trenches with excavated material unless otherwise noted on the plans. When placing conduit in the sub-base of new roadways, backfill all trenches with cement-stabilized base as per requirements of Items 110 "Excavation", 400 "Excavation and Backfill for Structures", 401 "Flowable Backfill", 402 "Trench Excavation Protection", and 403 "Temporary Special Shoring."
6. Provide and place warning tape approximately 10 in. above all trenched conduit as per Item 618.
7. During construction, temporarily cap or plug open ends of all conduit and raceways immediately after installation to prevent entry of dirt, debris and animals. Temporary caps constructed of durable duct tape are allowed. Tightly fix the tape to the conduit opening. Clean out the conduit and prove it clear in accordance with Item 618 prior to installing any conductors.
8. Ensure conduit entry into the top of any enclosure is waterproof by installing conduit sealing hubs or using boxes with threaded bosses. This includes surface mounted safety switches, meter cans, service enclosures, auxiliary enclosures and junction boxes. Grounding bushings on water tight sealing hubs are not required.
9. Fit the ends of all PVC conduit terminations with bushings or bell end fittings. Provide and install a grounding type bushing on all metal conduit terminations.
10. Install a bonding jumper from each grounding bushing to the nearest ground rod, grounding lug, or equipment grounding conductor. Ensure all bonding jumpers are the same size as the equipment grounding conductor. Bonding of conduit used as a casing under roadways for duct cable is not required, if the duct extends the full length through the casing.
11. At all electrical services, install a 6 AWG solid copper grounding electrode conductor.
12. Place conduits entering ground boxes so that the conduit openings are between 3 in. and 6 in. from the bottom of the box. See the ground box detail on sheet ED(4).
13. Seal ends of all conduits with duct seal, expandable foam, or by other methods approved by the Engineer. Seal conduit immediately after completion of conductor installation and pull tests. Do not use duct tape as a permanent conduit sealant. Do not use silicone caulk as a conduit sealant.
14. File smooth the cut ends of all mounting strut and conduit. Before installing, paint the field cut ends of all mounting strut and RMC (threaded or non-threaded) with zinc rich paint (94% or more zinc content) to alleviate overspray. Use zinc rich paint to touch up galvanized material as allowed under Item 445 "Galvanizing." Do not paint non-galvanized material with a zinc rich paint as an alternative for materials required to be galvanized.

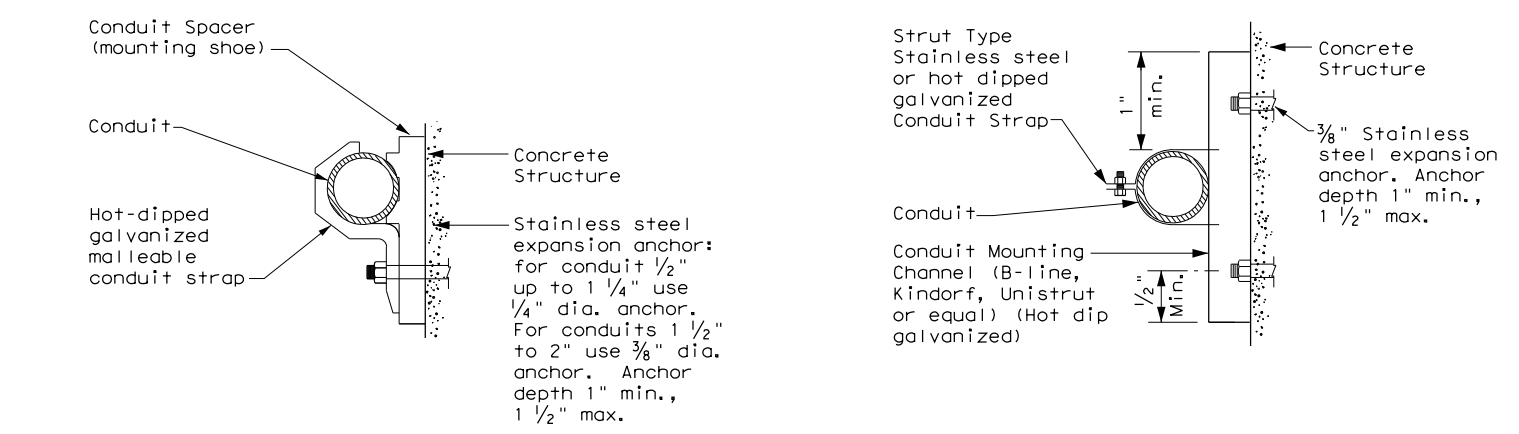
					
<p>ELECTRICAL DETAILS CONDUITS & NOTES</p> <p>ED(1) - 14</p>					
FILE:	ed1-14.dgn	DN:	CK:	DW:	CK:
© TxDOT	October 2014	CONT	SECT	JOB	HIGHWAY
REVISIONS		0275	01	244	IH 40
		DIST	COUNTY		SHEET NO.
		AMA	POTTER		105

DISCLAIMER: The use of this standard is governed by the "Texas Engineering Practice Act". No warranty of any kind is made by TxDOT for any purpose whatsoever. TxDOT assumes no responsibility for the conversion of this standard to other formats or for incorrect results or damages resulting from its use.

DATE: 02/01/10 9:48:42 AM
 FILE: C:\DOCUMENTS\02010\02010\TRAFFIC\SWA1\Standards\ed2-14.dwg



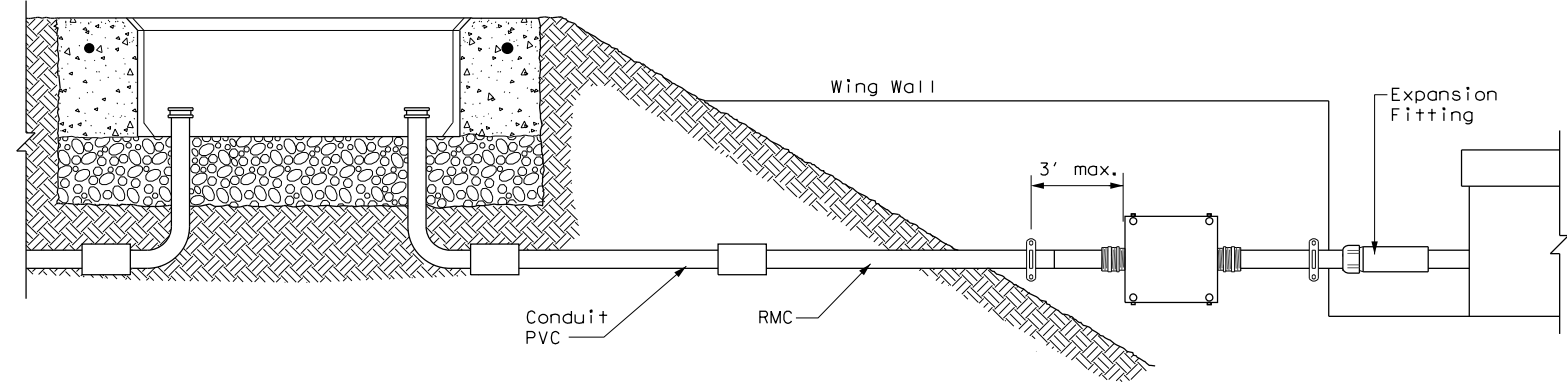
CONDUIT HANGING DETAIL



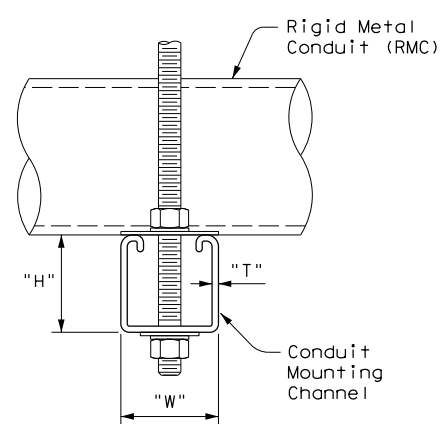
CONDUIT MOUNTING OPTIONS
 Attachment to concrete surfaces
 See ED(1)B.2

"SPAN"	"W" x "H"	"T"
less than 2'	1 5/8" x 1 3/8"	12 Ga.
2'-0" to 2'-6"	1 5/8" x 1 5/8"	12 Ga.
>2'-6" to 3'-0"	1 5/8" x 2 7/16"	12 Ga.

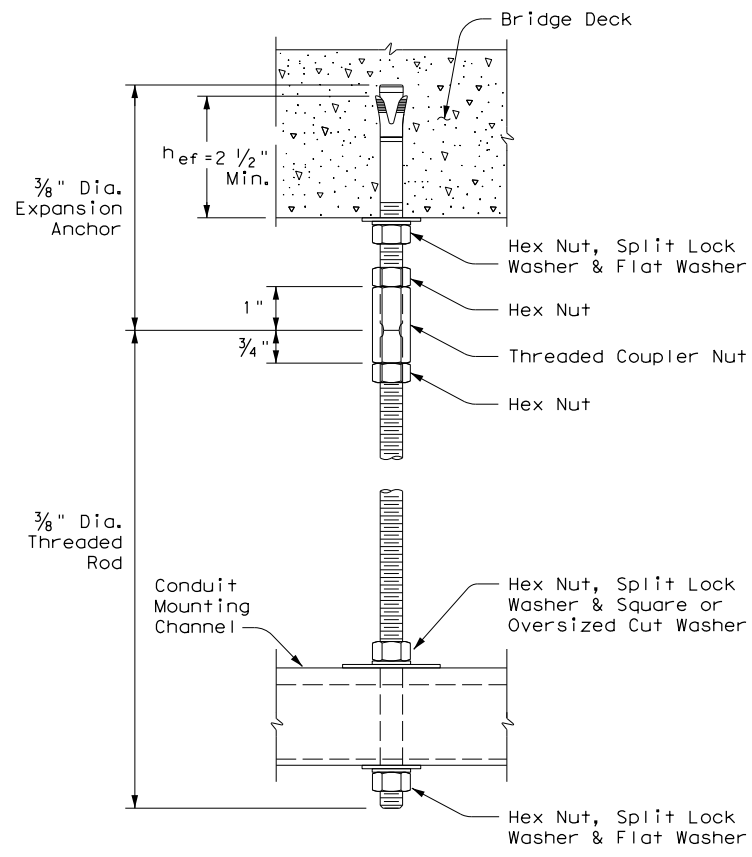
Channels with round or short slotted hole patterns are allowed, if the load carrying capacity is not reduced by more than 15%.



TYPICAL CONDUIT ENTRY TO BRIDGE STRUCTURE DETAIL



HANGER ASSEMBLY DETAIL



ELECTRIC CONDUIT TO BRIDGE DECK ATTACHMENT

EXPANSION ANCHOR NOTES FOR BRIDGE DECK ATTACHMENT

1. Use torque controlled mechanical expansion anchors that are approved for use in cracked concrete by the International Code Council, Evaluation Service (ICC-ES). The chosen anchor product shall have a designated ICC-ES Evaluation Report number, and its approval status shall be maintained on the ICC-ES website under Division 031600 for Concrete Anchors.
2. Unless otherwise approved by the Engineer: do not use adhesive anchors; do not use expansion anchors that are not included in the ICC-ES approval list; and do not use expansion anchors that are only approved for use in uncracked concrete.
3. Use anchors manufactured with stainless steel expansion wedges. Anchors manufactured with carbon steel expansion wedges are not allowed. Anchor bodies can be either zinc-plated carbon steel or stainless steel. For application in marine environment, both the anchor body and expansion wedge shall be stainless steel.
4. Install anchors as shown on the plans and in accordance with the anchor manufacturer's published installation instructions. Arrange a field demonstration test to evaluate the procedures and tools. The test shall be witnessed and approved by the Engineer prior to furnishing anchors on the structure.
5. Prior to hole drilling, use rebar locator to ensure clearing of existing deck strands or reinforcement. Install anchors to ensure a minimum effective embedment depth, (h_{ef}), as shown. Increase (h_{ef}) as needed to ensure sufficient thread length for proper torquing and tightening of anchors.
6. Use anchors of minimum 1600 Lbs tensile capacity (minimum of steel, concrete breakout, and concrete pullout strengths as determined by ACI 318 Appendix D) at the required minimum embedment depth (h_{ef}). No lateral loads shall be introduced after conduit installation.

		Traffic Operations Division Standard	
<h2>ELECTRICAL DETAILS CONDUIT SUPPORTS</h2>			
<h3>ED(2) - 14</h3>			
FILE: ed2-14.dgn	DN: TxDOT	CK: TxDOT	DW: TxDOT
© TxDOT October 2014	CONT	SECT	JOB
REVISIONS	0275	01	244
	DIST	COUNTY	SHEET NO.
	AMA	POTTER	106

ELECTRICAL CONDUCTORS

A. MATERIAL INFORMATION

1. Provide Type XHHW insulated conductors in accordance with Departmental Material Specification (DMS) 11040 "Conductors" and Item 620 "Electrical Conductors." Provide conductors as listed on the Material Producers List (MPL) on the Department web site under "Roadway Illumination and Electrical Supplies" Item 620. Color code insulated conductors in conformance with the NEC. Identify grounded (neutral) conductors with white insulation. Identify grounding conductors (ground wires) with green insulation or bare conductors. Identify ungrounded (hot) conductors with any color insulation except green, white, or gray. Keep color scheme consistent throughout the wiring system. Identify conductors 6 American Wire Gauge (AWG) and smaller by continuous color jacket. Identify electrical conductors 4 AWG and larger by continuous color jacket or by colored tape. When identifying conductors with colored tape, mark at least 6 in. of the conductor's insulation with half laps of tape.
2. Provide a solid copper 6 AWG grounding electrode conductor to bond the electrical service equipment to the concrete encased grounding electrode or the ground rod at the service location. Connect the grounding electrode conductor to the ground rod with a UL listed connector in accordance with DMS 11040. Connect the grounding electrode conductor to the concrete encased grounding electrode as shown in the plans.
3. Where two or more circuits are present in one conduit or enclosure, permanently identify the conductors of each branch circuit by attaching a non-metallic tag around both circuit conductors at each accessible location. Provide tags with two straps, large enough to indicate circuit number, letter, or other identification as shown in the plans. Print circuit identification on the tag with a permanent marker.
4. Use listed compression or screw type pressure connectors, terminal blocks, or split bolt connectors for splicing as specified in DMS 11040. Use hot melt adhesive tape to fill the gap and seal the ends of heat shrink tubing. Provide UL listed gel-filled insulating splice covers. Splicing materials, insulating materials, breakaway disconnects, splice covers, and fuse holders are subsidiary to various bid items.

B. CONSTRUCTION METHODS

1. Use only a flat, high tensile strength polyester fiber pull tape for pulling conductors through the conduit system. After installing conductors in conduit, perform conductor pull test. If a conductor cannot be freely pulled, make any needed alterations or repairs at no additional cost to the department. Perform insulation resistance tests in accordance with Item 620. Coordinate with the Engineer to witness the tests.
2. Leave 2 ft. minimum, 3 ft. maximum length for each conductor up to the splice in ground boxes. Leave 3 ft. minimum, 4 ft. maximum length of conductor in ground boxes when pulled through with no splice. Leave 1 ft. minimum, 1.5 ft. maximum length of conductor at enclosures, weatherheads and pole bases.
3. Make splices only in junction boxes, ground boxes, pole bases, or electrical enclosures and use only listed compression or screw type pressure connectors, terminal blocks, or split bolt connectors. Insulate splices with heavy wall heat shrink tubing or gel-filled insulating splice covers to provide a watertight splice. Overlap conductor insulation with heat shrink tubing a minimum of 2 in. past both sides of the splice. Where heat shrink tubing may not shrink sufficiently to provide a watertight seal around the individual conductors, prior to heating the tubing, increase the diameter of the conductor insulation using hot melt adhesive tape to provide a watertight seal between the individual conductors and the heat shrink tubing. Ensure the tape extends past the heat shrink tubing. Use hot melt adhesive tape to fill the gap and seal the ends of heat shrink tubing. Heat shrink tubing that appears to have been burned, or overheated, is considered defective and must be replaced.
4. Size and install gel-filled insulating splice covers according to manufacturer's specifications when used in place of heat shrink tubing.
5. Wire nuts with factory applied waterproof sealant may be used for 8 AWG or smaller conductors in above ground junction boxes, but not in pole bases or ground boxes. Install wire nuts in an upright position to prevent the accumulation of water.
6. Support conductors in illumination poles with a J-hook at the top of the pole.
7. When terminating conductors, remove the insulation and jacketing material without nicking the individual strands of the conductor. Conductors with nicked individual conductor strands or removed strands will be considered damaged.
8. Replace conductors and cables that are damaged beyond repair or that fail an insulation resistance test at no additional cost to the department.
9. Do not repair damaged conductors with duct tape, electrical tape, or wire nuts. Use only approved splicing methods.
10. Do not terminate more than one conductor under a single connector, unless the connector is rated for multiple conductors. Do not exceed the pressure connector's listing for maximum number and size of conductors allowed.
11. Install breakaway connectors on conductors bid under Item 620 whenever those conductors pass through a breakaway support device. Follow manufacturer's instructions when terminating conductors to breakaway connectors. Properly torque threaded connections. Proper terminations are critical to the safe operation of breakaway devices. Trim waterproofing boots on breakaway connectors to fit snugly around the conductor to ensure waterproof connection. Only one conductor may enter a single opening in a boot. Provide waterproof boots with the correct number of openings. Leave unused openings factory sealed. Use prequalified breakaway connectors as shown on the MPL.

12. Provide and install a separate stranded equipment grounding conductor (EGC) in all conduits that contain circuit wiring of 50 volts or more. Unless shown elsewhere, size the EGC to be the same size as the largest current carrying conductor contained in the conduit. Ensure all EGCs are bonded together at every accessible location. For traffic signal installations, provide a minimum size 8 AWG EGC. The EGC is paid for under Item 620.

C. TEMPORARY WIRING

1. Install temporary conductors and electrical equipment in accordance with the NEC article "Temporary Installations" and Department standard sheets.
2. Provide a ground fault circuit interrupter (GFCI) for power outlets for portable electrical equipment, power tools, ice machines, ice storage bins and refrigerators located outdoors at grade. GFCI may be any one of the following: molded cord and plug set, receptacle, or circuit breaker type.
3. Use listed wire nuts with factory applied sealant for temporary wiring where approved.
4. Enclose conductor splices within a listed enclosure or ground box, or ensure the splices are more than 10 ft. above grade vertically and more than 5 ft. horizontally from any metal structure. Where installing temporary conductors in areas subject to vehicle traffic or mobile construction equipment, ensure the vertical clearance to ground is at least 18 ft. when measured at the lowest point. Ground messenger wires that support power conductors in conformance with the NEC.
5. Protect and when necessary repair any existing electrical conduits uncovered during the construction process in a timely manner and in conformance with the NEC.

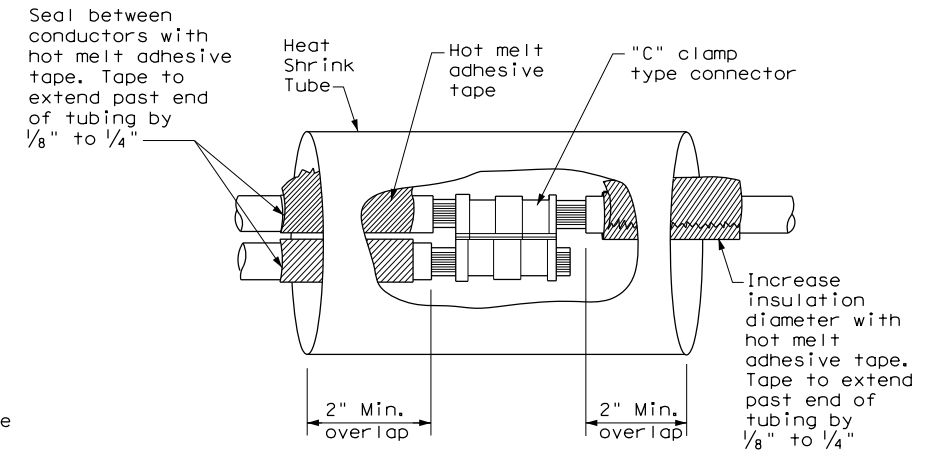
GROUND RODS & GROUNDING ELECTRODES

A. MATERIAL INFORMATION

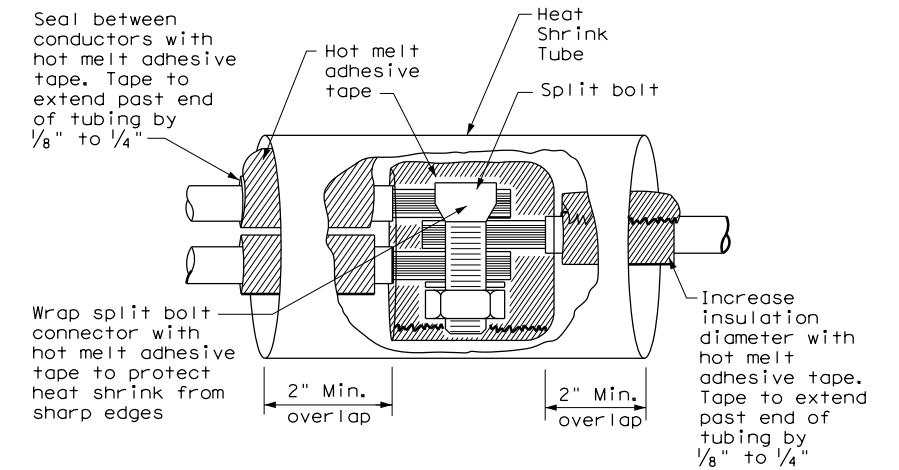
1. Provide and install a grounding electrode at electrical services. Provide ground rods according to DMS 11040 and the plans. Larger diameter or longer length rods may be called for in some specific locations, see the individual plans sheets. Concrete encased grounding electrodes may be called for in specific locations including electrical service, see individual plan sheets.

B. CONSTRUCTION METHODS

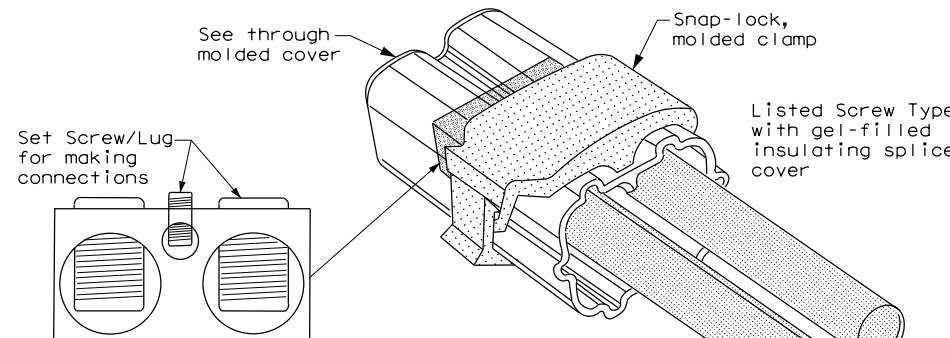
1. Furnish auxiliary ground rods for lightning protection and install in soil, concrete, or both, as called for in the plans. For ground rods installed in concrete, ensure the connection of the conductor to the ground rod is readily accessible for inspection or repairs. For ground rods installed in soil, ensure that the upper end is between 2 to 4 in. below finished grade.
2. Do not place ground rods in the same drilled hole as a timber pole.
3. Install ground rods so the imprinted part number is at the upper end of the rod.
4. Remove all non-conductive coatings such as concrete splatter from the rod at the clamp location.
5. Route all conductors as short and straight as possible for connection to lightning protection ground rods. When a bend is required, ensure a minimum radius bend of four inches for these conductors.
6. Unless otherwise called for in the plans, protect grounding electrode conductors with non-metallic conduit. When protecting grounding electrode conductors with metal conduit, provide and install a grounding type bushing and properly sized bonding jumper on each end of the metal conduit.
7. Written authorization is required before installing a ground rod in a horizontal trench for rocky soil or a solid rock bottom.



**SPLICE OPTION 1
Compression Type**



**SPLICE OPTION 2
Split Bolt Type**



**SPLICE OPTION 3
Listed Screw Type**

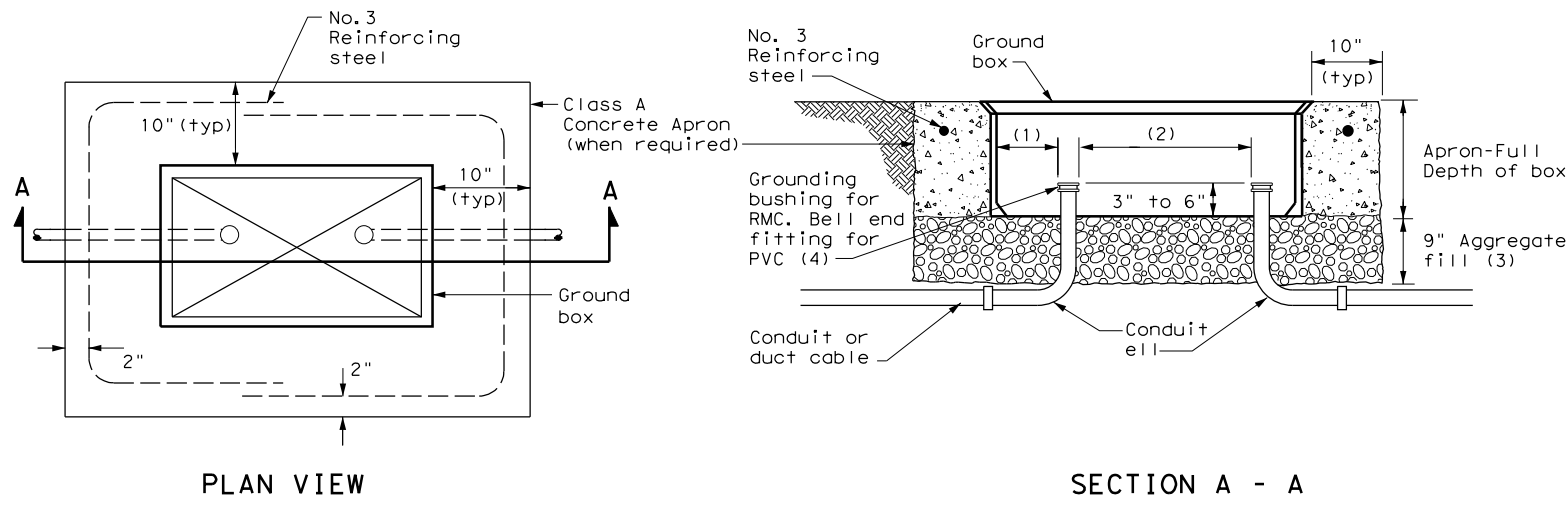
DISCLAIMER: The use of this standard is governed by the "Texas Engineering Practice Act". No warranty of any kind is made by TxDOT for any purpose whatsoever. TxDOT assumes no responsibility for the conversion of this standard to other formats or for incorrect results or damages resulting from its use.

DATE: 2/7/2024 9:48:42 AM
FILE: K:\01509\01509-0027-10 TxDOT AMA PS&E IH 40\TRAFFIC\SWA1\Standards\ed3-14.dgn

		Texas Department of Transportation		Traffic Operations Division Standard	
<h2>ELECTRICAL DETAILS CONDUCTORS</h2>					
<h3>ED(3) - 14</h3>					
FILE:	ed3-14.dgn	DN:	TxDOT	CK:	TxDOT
© TxDOT	October 2014	CON:	0275	SECT:	01
REVISIONS		JOB:	244	HIGHWAY:	IH 40
DIST:	AMA	COUNTY:	POTTER	SHEET NO.:	107

DISCLAIMER: The use of this standard is governed by the "Texas Engineering Practice Act". No warranty of any kind is made by TxDOT for any purpose whatsoever. TxDOT assumes no responsibility for the conversion of this standard to other formats or for incorrect results or damages resulting from its use.

DATE: 2/7/2024 9:48:43 AM
 FILE: K:\01509\01509-0027-10 TxDOT AMA PS&E_IH_40\TRAFFIC\SWA1\Standards\ed4-14.dwg

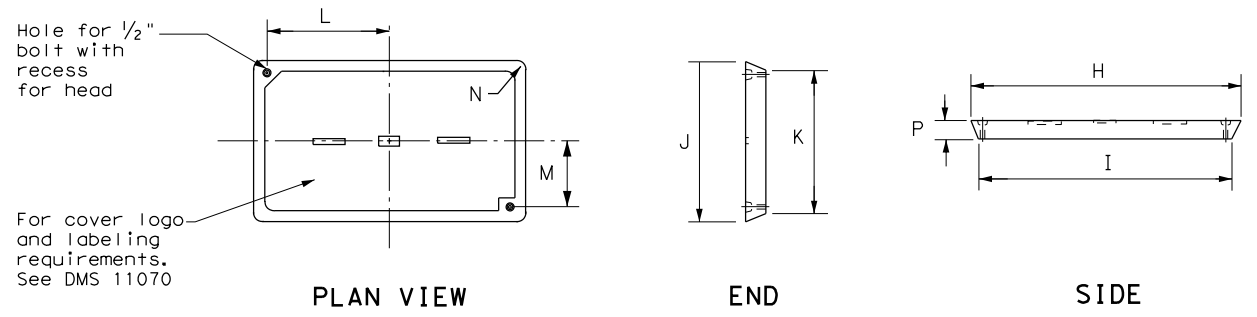


APRON FOR GROUND BOX

- (1) Uniformly space ends of conduits within the ground box. Position ends of conduits so that ground box walls do not interfere with the installation of grounding bushings or bell end fittings.
- (2) Maintain sufficient space between conduits to allow for proper installation of bushing.
- (3) Place aggregate under the box, not in the box. Aggregate should not encroach on the interior volume of the box.
- (4) Install a grounding bushing on the upper end of all RMC terminating in a ground box. Ground RMC elbows when any part of the elbow is less than 18 in. below the bottom of the ground box. Install a PVC bushing or bell end fitting on the upper end of all PVC conduits terminating in a ground box.

GROUND BOX DIMENSIONS	
TYPE	OUTSIDE DIMENSIONS (INCHES) (Width x Length X Depth)
A	12 X 23 X 11
B	12 X 23 X 22
C	16 X 29 X 11
D	16 X 29 X 22
E	12 X 23 X 17

GROUND BOX COVER DIMENSIONS								
TYPE	DIMENSIONS (INCHES)							
	H	I	J	K	L	M	N	P
A, B & E	23 1/4	23	13 3/4	13 1/2	9 7/8	5 1/8	1 3/8	2
C & D	30 1/2	30 1/4	17 1/2	17 1/4	13 1/4	6 3/4	1 3/8	2



GROUND BOX COVER

GROUND BOXES

A. MATERIALS

1. Provide polymer concrete ground boxes measuring 16x30x24 in. (WxLxD) or smaller in accordance with Departmental Material Specification (DMS) 11070 "Ground Boxes" and Item 624 "Ground Boxes."
2. Provide Type A, B, C, D, and E ground boxes as shown in the plans, and as listed on the Material Producers List (MPL) on the Department web site under "Roadway Illumination and Electrical Supplies," Item 624.
3. Ensure ground box cover is correctly labeled in accordance with DMS 11070.
4. Provide larger ground boxes in accordance with Item 624 and as shown in the plans.

B. CONSTRUCTION METHODS

1. Remove all gravel and dirt from conduit. Cap all conduits prior to placing aggregate and setting ground box. Provide Grade 3 or 4 coarse aggregate as shown on Table 2 of Item 302 "Aggregates for Surface Treatments." Ensure aggregate bed is in place and at least 9 inches deep, prior to setting the ground box. Install ground box on top of aggregate.
2. Cast ground box aprons in place. Reinforcing steel may be field bent. Ensure the depth of concrete for the apron extends from finished grade to the top of the aggregate bed under the box. Ground box aprons, including concrete and reinforcing steel, are subsidiary to ground boxes when called for by descriptive code.
3. Keep bolt holes in the box clear of dirt. Bolt covers down when not working in ground boxes.
4. Install all conduits and ells in a neat and workmanlike manner. Uniformly space conduits so grounding bushings and bell end fittings can easily be installed.
5. Temporarily seal all conduits in the ground box until conductors are installed.
6. Permanently seal conduits immediately after the completion of conductor installation and pull tests. Permanently seal the ends of all conduits with duct seal, expandable foam, or other method as approved. Do not use duct tape as a permanent conduit sealant. Do not use silicone caulk as a sealant.
7. When a ground rod is present in a ground box, bond all equipment grounding conductors together and to the ground rod with listed connectors.
8. When a type B or D ground box is stacked to meet volume requirements, it is allowable to cut an appropriately sized hole for conduit entry in the side wall at least 18 inches below grade.
9. If an existing ground box in the contract has a metal cover, bond the cover to the equipment grounding conductor with a 3 ft. long stranded bonding jumper the same size as the grounding conductor. The bonding jumper is subsidiary to various bid items. Verify existing ground boxes with metal covers are shown on the plans, with notes fully describing the work required.
10. If other ground boxes with metal covers are within the project limits but are not part of the contract, the Engineer may direct the Contractor to bond the metal covers, identifying the specific boxes in writing. This work will be paid for separately.
11. Bond metal ground box covers to the grounding conductor with a tank ground type lug.

				Traffic Operations Division Standard	
<h2>ELECTRICAL DETAILS</h2> <h3>GROUND BOXES</h3> <h4>ED(4) - 14</h4>					
FILE:	ed4-14.dgn	DN:	TxDOT	CK:	TxDOT
© TxDOT	October 2014	CONT:	0275	SECT:	01
REVISIONS		JOB:	244	HIGHWAY:	IH 40
DIST:	AMA	COUNTY:	POTTER	SHEET NO.:	108

ELECTRICAL SERVICES NOTES

- Provide new materials. Ensure installation and materials comply with the applicable provisions of the National Electrical Code (NEC) and National Electrical Manufacturers Association (NEMA) standards. Ensure material is Underwriters Laboratories (UL) listed. Provide and install electrical service conduits, conductors, disconnects, contactors, circuit breaker panels, and branch circuit breakers as shown on the Electrical Service Data chart in the plans. Faulty fabrication or poor workmanship in material, equipment, or installation is justification for rejection. Where manufacturers provide warranties and guarantees as a customary trade practice, furnish these to the State.
- Provide electrical services in accordance with Electrical Details standard sheets, Departmental Material Specification (DMS) 11080 "Electrical Services," DMS 11081 "Electrical Services-Type A," DMS 11082 "Electrical Services-Type C," DMS 11083 "Electrical Services-Type D," DMS 11084 "Electrical Services-Type T," DMS 11085 "Electrical Services-Pedestal (PS)", and Item 628 "Electrical Services" of the Standard Specifications. Provide electrical service types A, C, and D, as listed on the Material Producers List (MPL) on the Department web site under "Roadway Illumination and Electrical Supplies," Item 628. Provide other service types as detailed on the plans.
- Provide all work, materials, services, and any incidentals needed to install a complete electrical service as specified in the plans.
- Coordinate with the Engineer and the utility provider for metering and compliance with utility requirements. Primary line extensions, connection charges, meter charges, and other charges by the utility company to provide power to the location are paid for in accordance with Item 628. Get approval for the costs associated with these charges prior to engaging the utility company to do the work. Consult with the utility provider to determine costs and requirements, and coordinate the work as approved.
- The enclosure manufacturer will provide Master Lock Type 2 with brass tumblers keyed #2195 for all custom electrical enclosures. Installing Contractor is to provide Master Lock #2195 Type 2 with brass tumblers for "off the shelf" enclosures. Master Lock #2195 keys and locks become property of the State. Unless otherwise approved, do not energize electrical service equipment until locks are installed.
- Enclosures with external disconnects that de-energize all equipment inside the enclosure do not need a dead front trim. Protect incoming line terminations from incidental contact as required by the NEC.
- When galvanized is specified for nuts, screws, bolts or miscellaneous hardware, stainless steel may be used.
- Provide wiring and electrical components rated for 75°C. Provide red, black, and white colored XHHW service entrance conductors of minimum size 6 American Wire Gauge (AWG). Identify size 6 AWG conductors by continuous color jacket. Identify electrical conductors sized 4 AWG and larger by continuous color jacket or by colored tape. Mark at least 6 inches of the conductor's insulation with half laps of colored tape, when identifying conductors. Ensure each service entrance conductor exits through a separately bushed non-metallic opening in the weatherhead. The lengths of the conductors outside the weatherhead are to be 12 inches minimum, 18 inches maximum, or as required by utility.
- All electrical service conduit and conductors attached to the electrical service including the riser or the elbow below ground are subsidiary to the electrical service. For an underground utility feed, all service conduit and conductors after the elbow, including service conduit and conductors for the utility pole riser when furnished by the Contractor, will be paid for separately.
- Provide rigid metal conduit (RMC) for all conduits on service, except for the 1/2 in. PVC conduit containing the electrical service grounding electrode conductor. Size the service entrance conduit as shown in the plans. Ensure conduit for branch circuit entry to enclosure is the same size as that shown on the layout sheets for branch circuit conduit. Extend all rigid metal conduits a minimum of 6 inches underground and then couple to the type and schedule of the conduit shown on the layout for that particular branch circuit. Install a grounding bushing on the RMC where it terminates in the service enclosure.
- Use of liquidtight flexible metal conduit (LFMC) is allowed between the meter and service enclosure when they are mounted 90 to 180 degrees to each other. Size the LFMC the same size as service entrance conduit. LFMC must not exceed 3 feet in length. Strap LFMC within 1 foot of each end. LFMC less than 12 inches in length need not be strapped. Each end of LFMC must have a grounding bushing or be terminated with a grounding fitting. The LFMC must contain a grounded (neutral) conductor. Ensure any bend in LFMC never exceeds 180 degrees. A pull test is required on all installed conductors, with at least six inches of free conductor movement demonstrated to the satisfaction of the Engineer.
- Ensure all mounting hardware and installation details of services conform to utility company specifications.
- For all electrical service enclosures listed under Item 628 on the MPL, the UL 508 enclosure manufacturers will prepare and submit a schematic drawing unique to each service. Before shipment to the job site, place the applicable laminated schematic drawings and the laminated plan sheet showing the electrical service data chart used to build the enclosure in the enclosure's data pocket. The installing contractor will copy and laminate the actual project plan sheets detailing all equipment and branch circuits supplied by that service. The laminated plan sheets are to be placed in the service enclosure's document pocket. Reduce 11 in. x 17 in. plan sheets to 8 1/2 in. x 11 in. before laminating. If the installation differs from the plan sheets, the installing contractor is to redline plan sheets before laminating.
- When providing an "Off The Shelf" Type D or Type T service, provide laminated plan sheets detailing equipment and branch circuits supplied by that service. Reduce 11 in. x 17 in. plan sheets to 8 1/2 in. x 11 in before laminating. Deliver these drawings before completion of the work to the Engineer, instead of placing in enclosure that has no door pocket.
- Do not install conduit in the back wall of a service enclosure where it would penetrate the equipment mounting panel inside the enclosure. Provide grounding bushings on all metal conduits, and terminate bonding jumpers to grounding bus. Grounding bushings are not required when the end of the metal conduit is fitted with a conduit sealing hub or threaded boss, such as a meter base hub.

SERVICE ASSEMBLY ENCLOSURE

- Provide threaded hub for all conduit entries into the top of enclosure.
- Type galvanized steel (GS) enclosures may be used for Type C panelboards and for Type D and T services that do not use an enclosure mounted photocell or lighting contactor. Provide GS enclosures in accordance with DMS 11080, 11082, 11083, and 11084.
- Provide aluminum (AL) and stainless steel (SS) enclosures for Types A, C, and D in accordance with DMS 11080, 11081, 11082, 11083, and 11084. Do not paint stainless steel.
- Provide pedestal service (PS) enclosures in accordance with ED(9) and DMS 11080 and 11085. Do not provide GS pedestal services. If GS is shown in the PS descriptive code, provide an AL enclosure.

MAIN DISCONNECT & BRANCH CIRCUIT BREAKERS

- Field drill flange-mounted remote operator handle if needed, to ensure handle is lockable in both the "On" and "Off" positions.
- When the utility company provides a transformer larger than 50 KVA, verify that the available fault current is less than the circuit breaker's ampere interrupting capacity (AIC) rating and provide documentation from the electric utility provider to the Engineer.

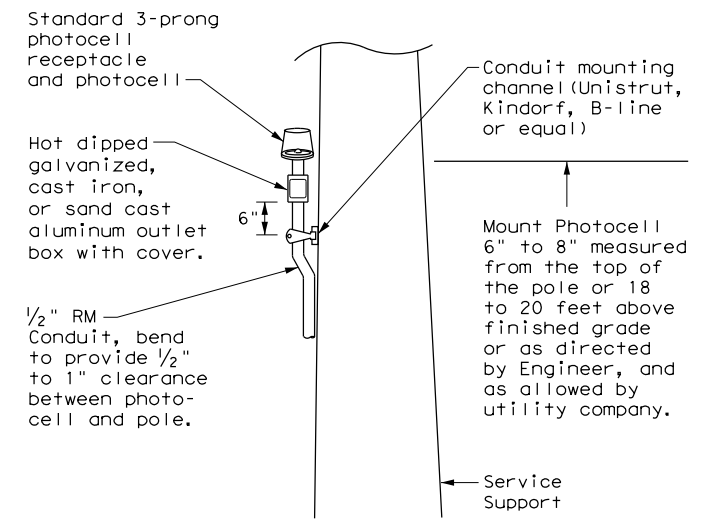
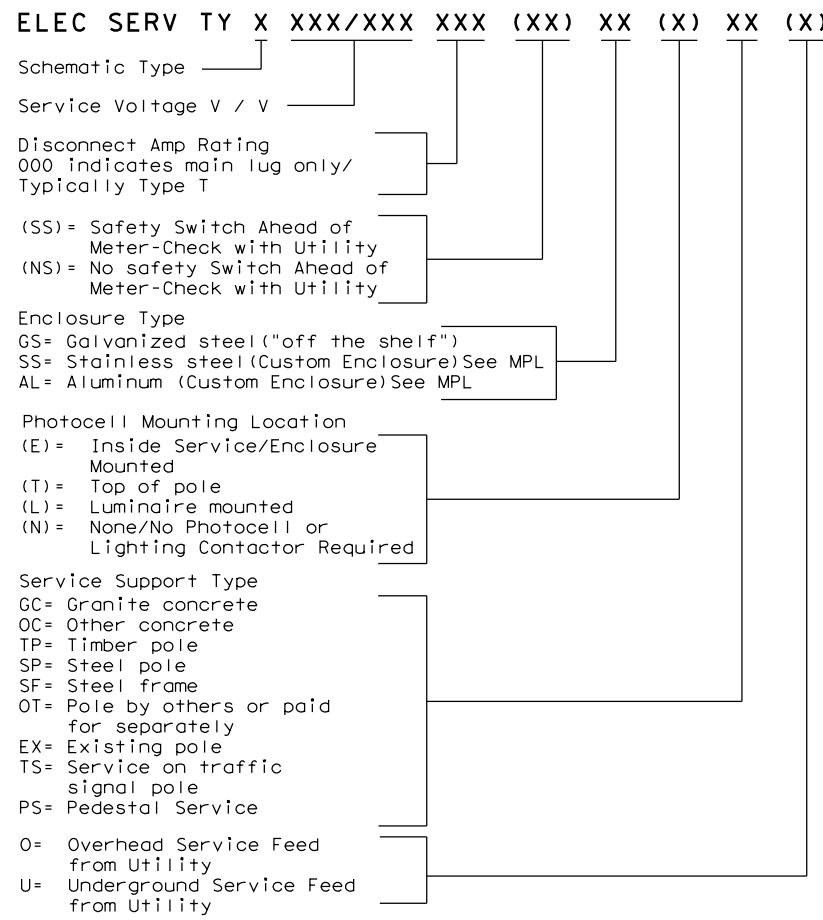
PHOTOELECTRIC CONTROL

- Provide photocell as listed on the MPL. Move, adjust, or shield the photocell from stray or ambient night time light to ensure proper operation. Mount photocell facing north when practical. Mount top of pole photocells as shown on Top Mounted Photocell Detail.

* ELECTRICAL SERVICE DATA												
Elec. Service ID	Plan Sheet Number	Electrical Service Description	Service Conduit *xSize	Service Conductors No./Size	Safety Switch Amps	Main Ckt. Bkr. Pole/Amps	Two-Pole Contractor Amps	Panelbd/ Loadcenter Amp Rating	Branch Circuit ID	Branch Ckt. Bkr. Pole/Amps	Branch Circuit Amps	KVA Load
SB 183	289	ELC SRV TY A 240/480 100(SS)AL(E)SF(U)	2"	3/#2	100	2P/100	100	N/A	Lighting NB	2P/40	26	28.1
									Lighting SB	2P/40	25	
									Underpass	1P/20	15	
NB Access	30	ELC SRV TY D 120/240 060(NS)SS(E)TS(O)	1 1/4"	3/#6	N/A	2P/60		100	Sig. Controller	1P/30	23	5.3
							30		Luminaires	2P/20	9	
									CCTV	1P/20	3	
2nd & Main	58	ELC SRV TY T 120/240 000(NS)GS(N)SP(O)	1 1/4"	3/#6	N/A	N/A	N/A	70	Flashing Beacon 1	1P/20	4	1.0
									Flashing Beacon 2	1P/20	4	

* Example only, not for construction. All new electrical services must have electrical service data chart specific to that service as shown in the plans.
 ** Verify service conduit size with utility. Size may change due to utility meter requirements. Ensure conduit size meets the National Electrical Code.

EXPLANATION OF ELECTRICAL SERVICE DESCRIPTIVE CODE



TOP MOUNTED PHOTOCELL

Install conduit strap maximum 3 feet from box. 5 foot maximum spacing between straps supporting conduit.

DATE: 2/7/2024 9:48:43 AM
 FILE: K:\01509\01509-0027-10 TXDOT AMA PS&E IH 40\TRAFFIC\SWA1\Standards\edg-11111.dgn
 The use of this standard is governed by the "Texas Engineering Practice Act". No warranty of any kind is made by TxDOT for any purpose whatsoever. TxDOT assumes no responsibility for the conversion of this standard to other formats or for incorrect results or damages resulting from its use.

Texas Department of Transportation

Traffic Operations Division Standard

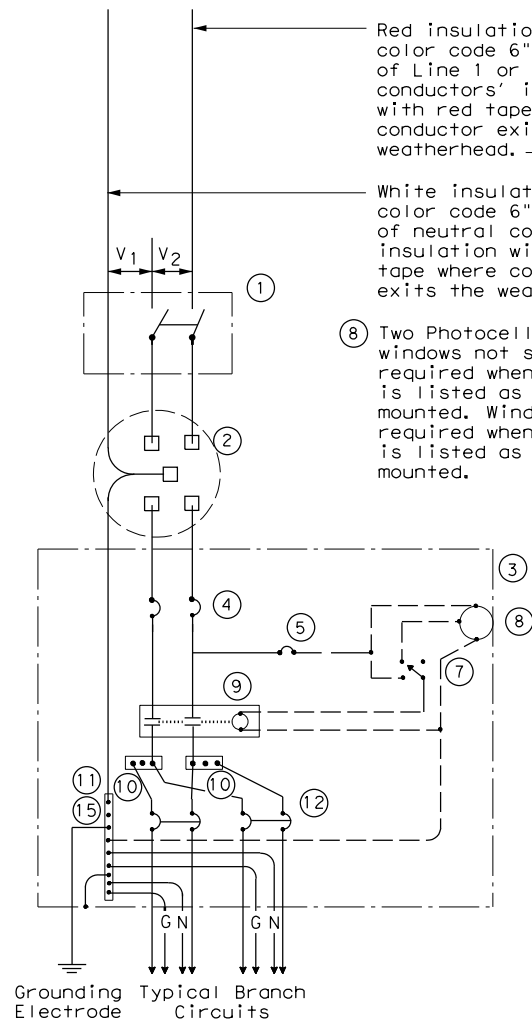
ELECTRICAL DETAILS SERVICE NOTES & DATA

ED(5) - 14

FILE: ed5-14.dgn	DN: TxDOT	CK: TxDOT	DW: TxDOT	CK: TxDOT
© TxDOT October 2014	CONT	SECT	JOB	HIGHWAY
REVISIONS	0275	01	244	IH 40
	DIST	COUNTY	SHEET NO.	
	AMA	POTTER	109	

DISCLAIMER: The use of this standard is governed by the "Texas Engineering Practice Act". No warranty of any kind is made by TxDOT for any purpose whatsoever. TxDOT assumes no responsibility for the conversion of this standard to other formats or for incorrect results or damages resulting from its use.

DATE: 2/7/2024 9:48:44 AM
 FILE: K:\01509\01509-0027-10 TxDOT AMA PS&E IH 40\TRAFFIC\SWA1\Standards\ed6-14.dgn

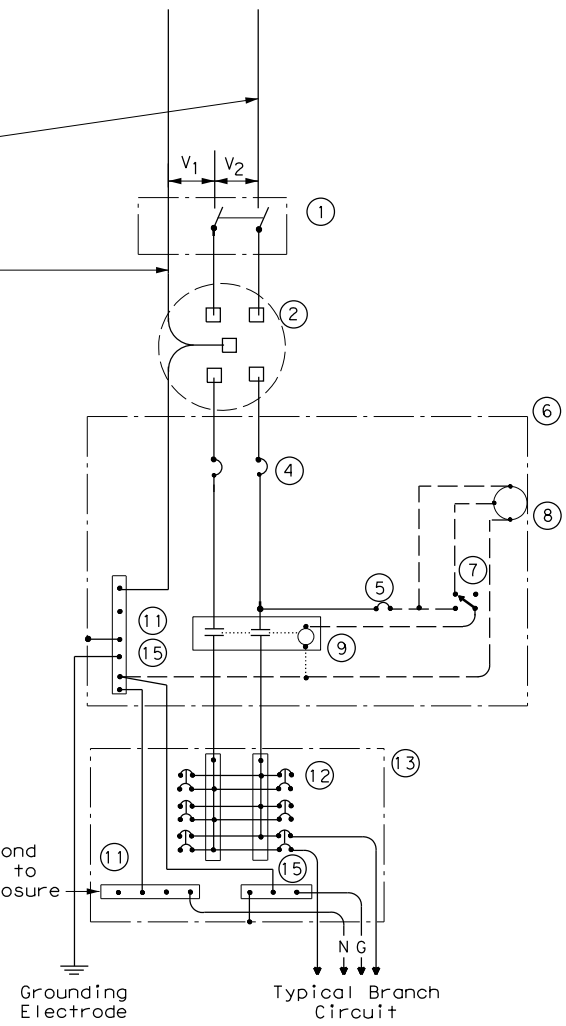


**SCHEMATIC TYPE A
THREE WIRE**

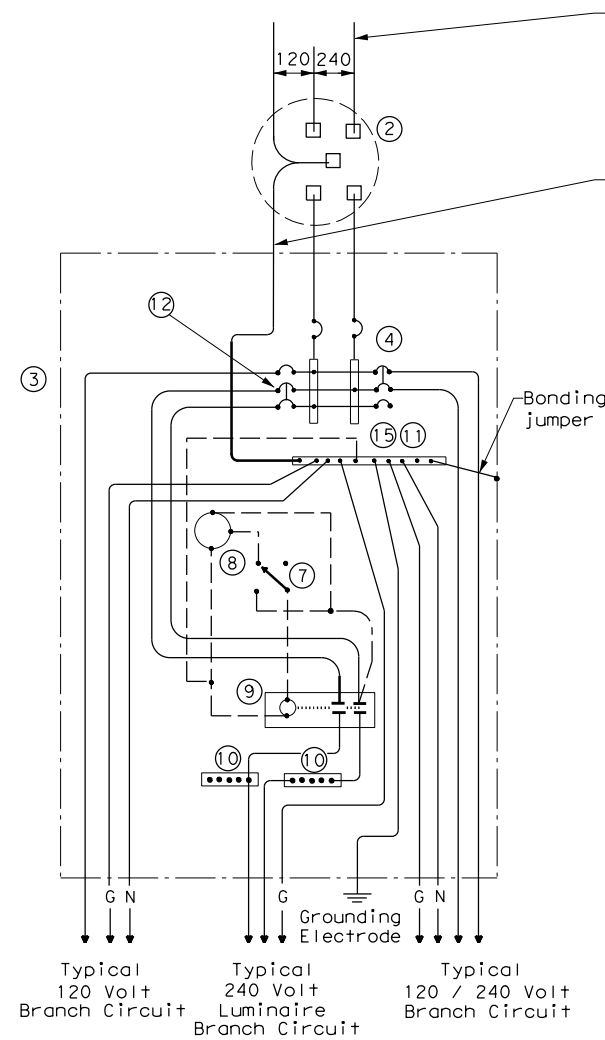
Red insulation or color code 6" length of Line 1 or Line 2 conductors' insulation with red tape where conductor exits the weatherhead.

White insulation or color code 6" length of neutral conductors' insulation with white tape where conductor exits the weatherhead.

⑧ Two Photocell viewing windows not shown but required when photocell is listed as enclosure mounted. Windows not required when photocell is listed as pole top mounted.



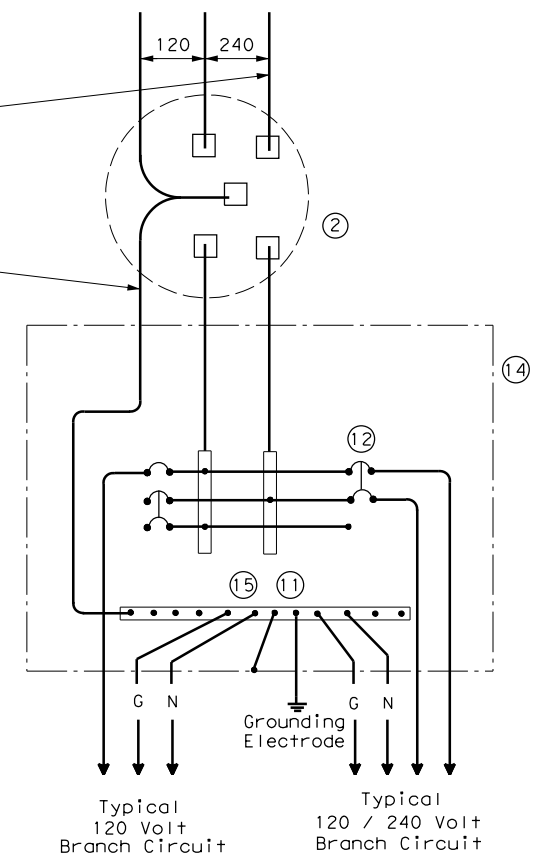
**SCHEMATIC TYPE C
THREE WIRE**



**SCHEMATIC TYPE D - CUSTOM
120/240 VOLTS - THREE WIRE**

Red insulation or color code 6" length of Line 1 or Line 2 conductors' insulation with red tape where conductor exits the weatherhead.

White insulation or color code 6" length of neutral conductors' insulation with white tape where conductor exits the weatherhead.



**SCHEMATIC TYPE T
120/240 VOLTS - THREE WIRE**
 Galvanized steel - "Buy Off The Shelf" only. When required install photocell top of the pole or on luminaire only, no lighting contractor will be installed.

WIRING LEGEND	
—	Power Wiring
- - - -	Control Wiring
—N—	Neutral Conductor
—G—	Equipment grounding conductor-always required

SCHEMATIC LEGEND	
1	Safety Switch (when required)
2	Meter (when required-verify with electric utility provider)
3	Service Assembly Enclosure
4	Main Disconnect Breaker (See Electrical Service Data)
5	Circuit Breaker, 15 Amp (Control Circuit)
6	Auxiliary Enclosure
7	Control Station ("H-O-A" Switch)
8	Photo Electric Control (enclosure-mounted shown)
9	Lighting Contactor
10	Power Distribution Terminal Blocks
11	Neutral Bus
12	Branch Circuit Breaker (See Electrical Service Data)
13	Separate Circuit Breaker Panelboard
14	Load Center
15	Ground Bus

		Traffic Operations Division Standard	
ELECTRICAL DETAILS SERVICE ENCLOSURE AND NOTES			
ED(6) - 14			
FILE: ed6-14.dgn	DN: TxDOT	CK: TxDOT	DW: TxDOT
© TxDOT October 2014	CONT	SECT	JOB
REVISIONS	0275	01	244
DIST	COUNTY	SHEET NO.	
AMA	POTTER	110	

DISCLAIMER: The use of this standard is governed by the "Texas Engineering Practice Act". No warranty of any kind is made by TxDOT for any purpose whatsoever. TxDOT assumes no responsibility for the conversion of this standard to other formats or for incorrect results or damages resulting from its use.

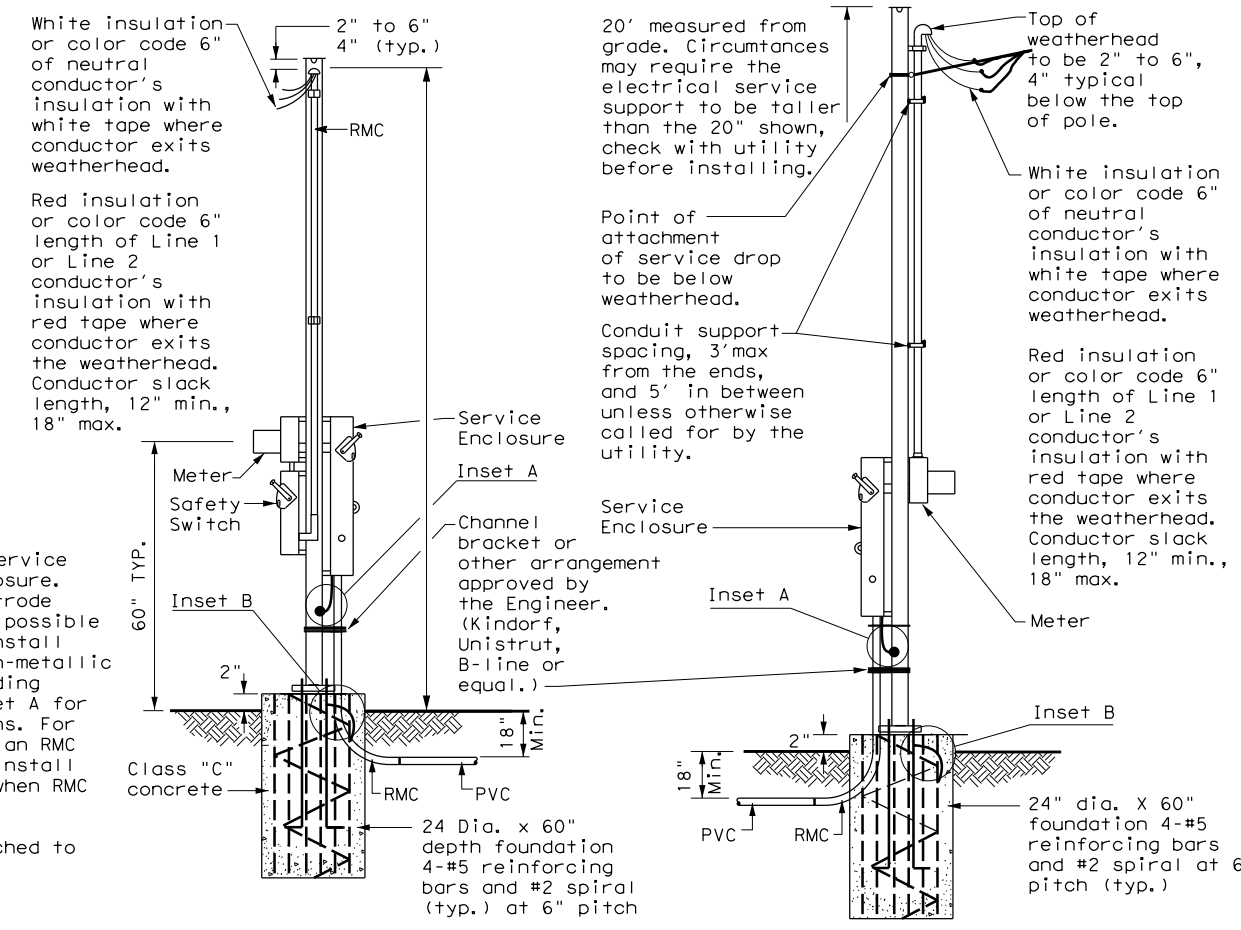
DATE: 2/7/2024 9:48:44 AM
 FILE: K:\01509\01509-0027-10 TxDOT AMA PS&E_IH_40\TRAFFIC\SWA1\Standards\ed7-14.dwg

SUPPORT TYPE STEEL POLE (SP) AND STEEL FRAME (SF)

- Provide steel pole and steel frame supports as per TxDOT Departmental Material Specification (DMS)11080 "Electrical Services." Mount all equipment and conduit on 12 gauge galvanized steel or stainless steel channel strut, 1 1/2 in. or 1 3/8 in. wide by 1 in. up to 3 3/4 in. deep Unistrut, Kindorf, B-line or equal. Bolt or weld all channel and hardware to vertical members as approved. Do not stack channel. File smooth and paint field cut ends of all channel with zinc-rich paint before installing.
- Provide poles for overhead service with an eyebolt or similar fitting for attachment of the service drop to the pole in conformance with the electric utility provider's specifications.
- Provide and install galvanized 3/4 in. x 18 in. x 4 in. (dia. x length x hook length) anchor bolts for underground service supports. Provide and install galvanized 3/4 in. x 56 in. x 4 in. anchor bolts for overhead service supports. Ensure anchor bolts have 3 in of thread, with 3 1/4 in. to 3 1/2 in. of the exposed anchor bolt projecting above finished foundation. Provide and install leveling nuts for all anchor bolts.
- Bond one of the anchor bolts to the rebar cage with 6 AWG bare stranded copper conductor. Use listed mechanical connectors rated for embedment in concrete. See Inset B.
- Furnish and install rigid metallic ells in all steel pole and steel frame foundations for all conduits entering the service from underground.
- Use class C concrete for foundations. Ensure reinforcing steel is Grade 60 with 3" of unobstructed concrete cover.
- Drill and tap steel poles and frames for 1/2 in. X 13 UNC tank ground fitting. For steel pole service supports, provide and install tank ground fitting 4 in. to 6 in. below electrical service enclosure. Provide properly sized hole through the bottom of the enclosure for the service grounding electrode conductor. Ensure electrical service grounding electrode conductor is as short and straight as possible from the enclosure to the tank ground fitting. For steel frame service supports, provide and install tank ground fitting on steel frame post. Install service grounding electrode conductor in a non-metallic conduit or tubing from the enclosure to the steel frame post. Connect electrical service grounding electrode conductor to the tank ground fitting. See steel frame and steel pole details and Inset A for more information. Size service entrance conduit and branch circuit conduit as shown in the plans. For underground conduit runs from the electrical service, extend RMC from the service enclosure to an RMC elbow, and then connect the schedule type and size of conduit shown in the plans. Provide and install grounding bushings where RMC terminates in the enclosure. Grounding bushings are not required when RMC is fitted into a sealing hub or threaded boss.
- If Steel pole or frame is painted, bond each separate painted piece with a bonding jumper attached to a tapped hole.
- Provide 1/4" - 20 machine screws for bonding. Do not use sheet metal screws. Remove all non-conductive material at contact points. Terminate bonding jumpers with listed devices. Install minimum size 6 AWG stranded copper bonding jumpers. Make up all threaded bonding connections wrench tight.
- Avoid contact of the service drop and service entrance conductors with the metal pole to prevent abrasion of the insulated conductors.
- Shop drawings are not required for service support structure unless specifically stated elsewhere or directed by the Engineer.

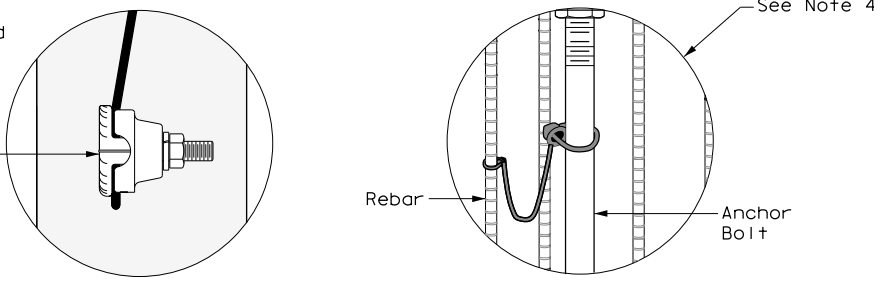
White insulation or color code 6" of neutral conductor's insulation with white tape where conductor exits weatherhead.

Red insulation or color code 6" length of Line 1 or Line 2 conductor's insulation with red tape where conductor exits the weatherhead. Conductor slack length, 12" min., 18" max.

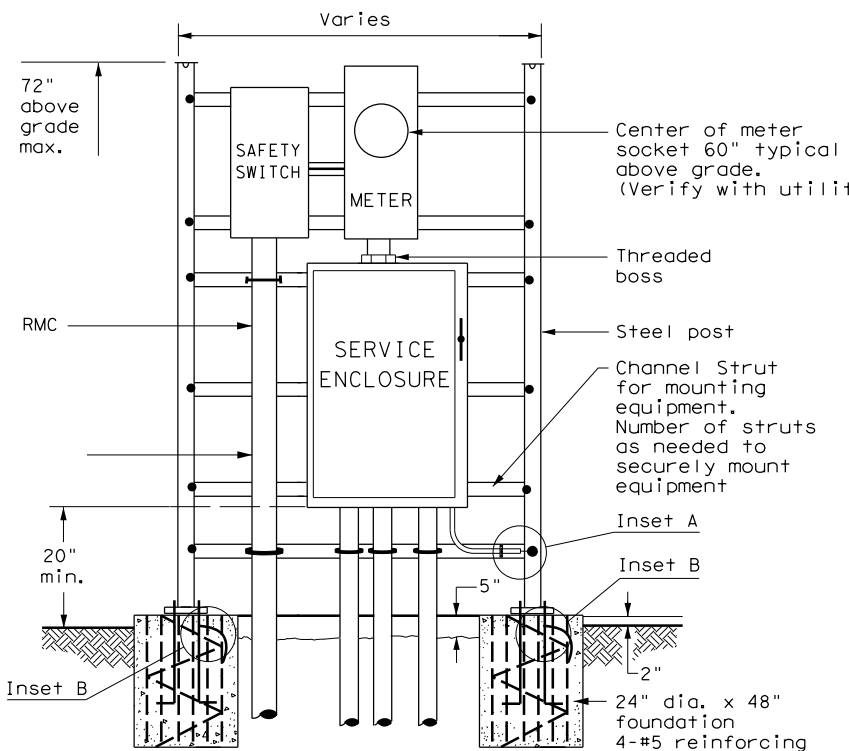


WITH SAFETY SWITCH
WITHOUT SAFETY SWITCH
SERVICE SUPPORT TYPE SP (O) - OVERHEAD SERVICE

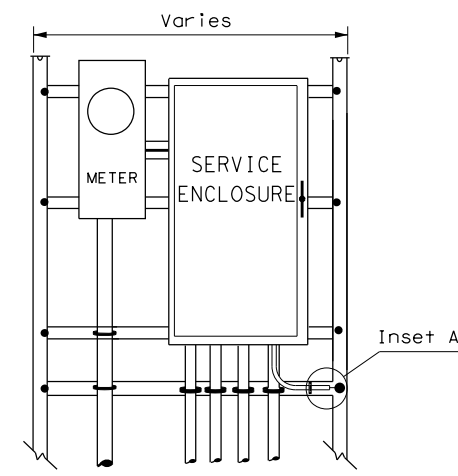
Drill, tap, and thread 1/2" X 13 UNC. Install tank ground fitting, connect electrical service grounding electrode conductor. See Note 7.



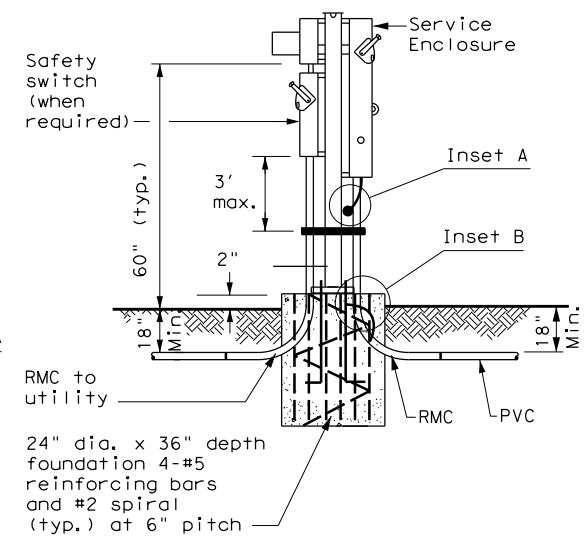
FRONT VIEW
INSET A
INSET B



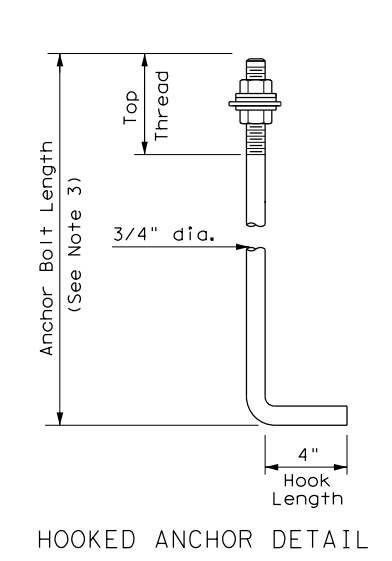
WITH SAFETY SWITCH
FRONT VIEW
SERVICE SUPPORT TYPE SF (U) - UNDERGROUND SERVICE



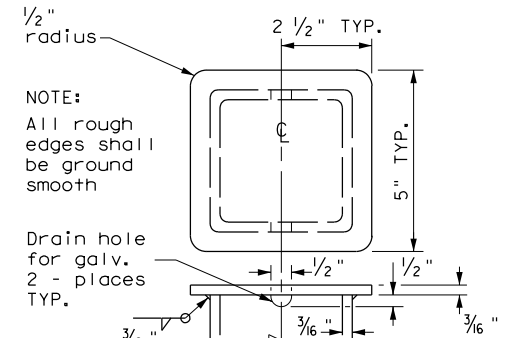
WITHOUT SAFETY SWITCH
SERVICE SUPPORT TYPE SF (U) - UNDERGROUND SERVICE



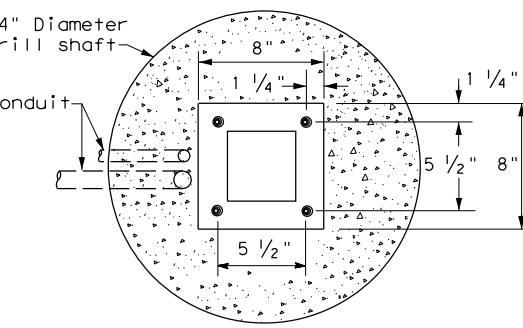
WITH SAFETY SWITCH
SERVICE SUPPORT TYPE SP (U) - UNDERGROUND SERVICE



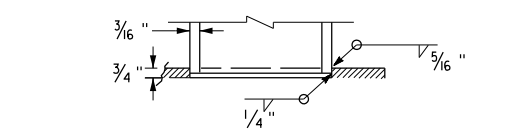
HOOKED ANCHOR DETAIL



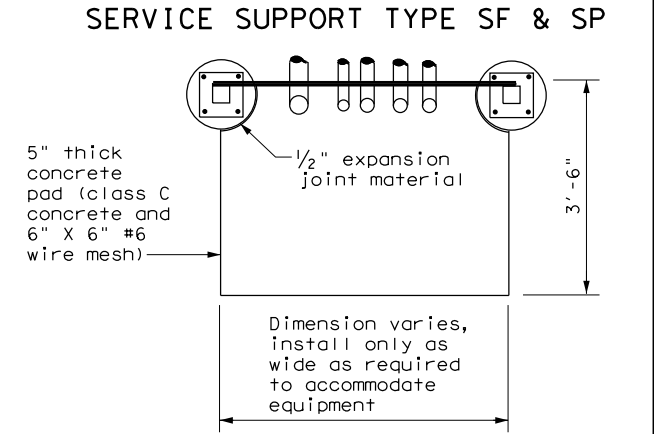
POLE TOP PLATE



BASE PLATE DETAIL



BOTTOM OF POLE



TOP VIEW
SERVICE SUPPORT TY SF (O) & SF (U)



**ELECTRICAL DETAILS
SERVICE SUPPORT
TYPES SF & SP
ED(7) - 14**

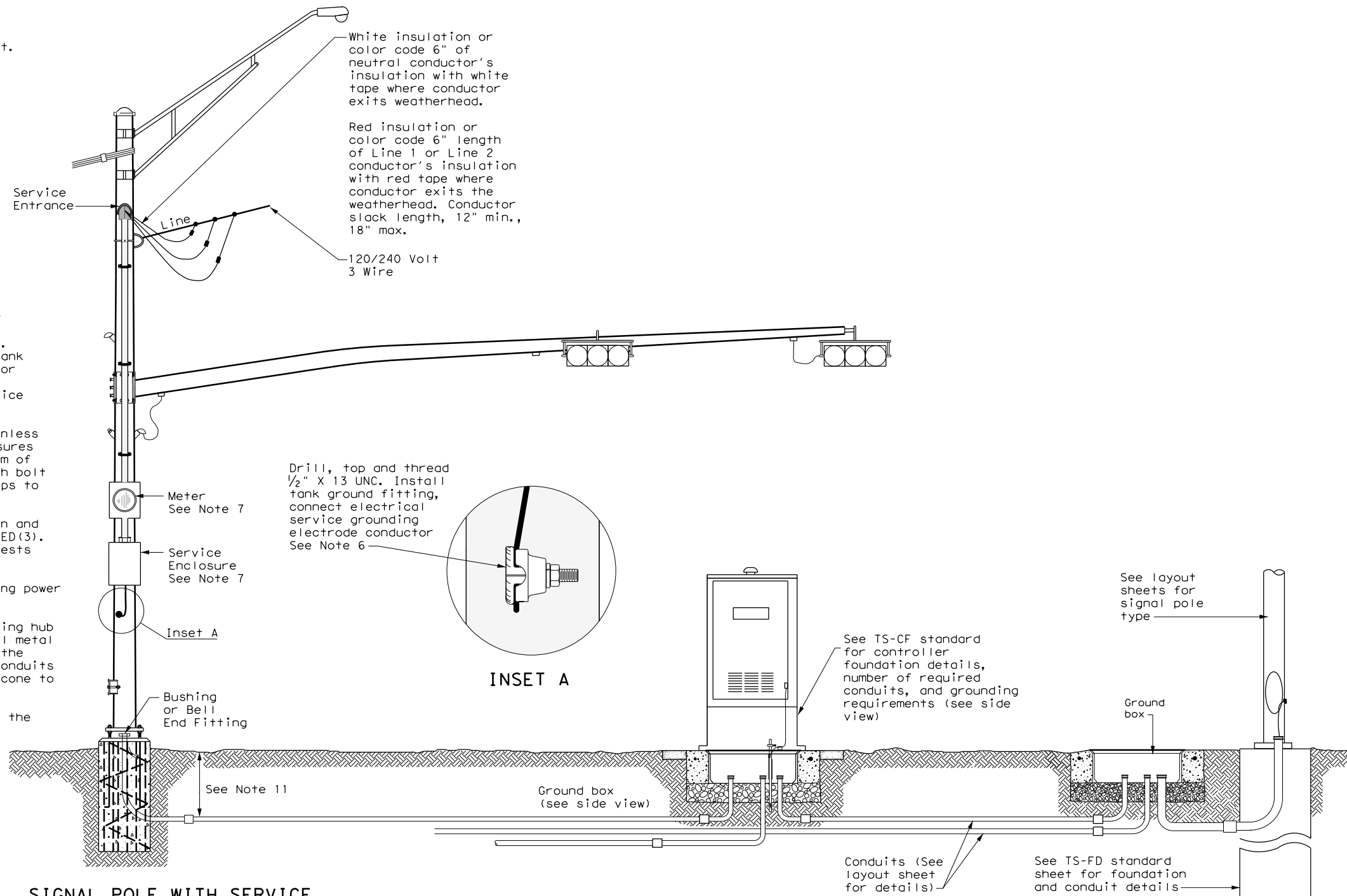
FILE: ed7-14.dgn	DN: TxDOT	CK: TxDOT	DW: TxDOT	CK: TxDOT
© TxDOT October 2014	CONT	SECT	JOB	HIGHWAY
REVISIONS	0275	01	244	IH 40
	DIST	COUNTY	SHEET NO.	
	AMA	POTTER	111	

DISCLAIMER: The use of this standard is governed by the "Texas Engineering Practice Act". No warranty of any kind is made by TxDOT for any purpose whatsoever. TxDOT assumes no responsibility for the conversion of this standard to other formats or for incorrect results or damages resulting from its use.

DATE: 2/7/2024 9:48:45 AM
 FILE: K:\01509\01509-0027-10 TxDOT AMA PS&E IH 40\TRAFFIC\SWA1\Standards\ed8-14.dgn

TRAFFIC SIGNAL NOTES

1. Do not pass luminaire conductors through the signal controller cabinet.
2. Include an equipment grounding conductor in all conduits throughout the electrical system. Bond all exposed metal parts to the grounding conductor.
3. Provide roadway luminaires, when required, in accordance with the material and construction sections of Item 610, "Roadway Illumination Assemblies," except for performance testing of luminaires. Test installed roadway luminaires for proper operation as a part of the associated traffic signal system test.
4. If internally illuminated street name signs are approved for use, ground the fixture to the pole with a 12 AWG green XHHW conductor.
5. Bond anchor bolts to rebar cage in two locations using #3 bars or 6 AWG stranded copper conductors. Use listed mechanical connectors rated for embedment in concrete. See TxDOT standard TS-FD for further details.
6. Drill and tap signal poles for 1/2 in. X 13 UNC tank ground fitting. Provide and install tank ground fitting 4 in. to 6 in. directly below electrical service enclosure. Provide properly sized hole through the bottom of the enclosure for the service grounding electrode conductor. Connect the electrical service grounding electrode conductor to the tank ground fitting. Ensure electrical service grounding electrode conductor is as short and straight as possible from the enclosure to the tank ground fitting. See Inset A detail for further information. Size service entrance conduit and branch circuit conduit as shown in the plans.
7. Mount electrical service enclosure and meter to signal pole with stainless steel bands. Ensure bands are a minimum width of 3/4 in. Secure enclosures to bands using two-bolt brackets. Install brackets near top and bottom of each enclosure. Install properly sized stainless steel washers on each bolt in the enclosure. Band or drill and tap properly sized stand-off straps to signal pole for attaching conduit.
8. Conduct pull tests and insulation resistance tests on all illumination and power conductors as required in Item 620 "Electrical Conductors" and ED(3). To prevent electronics damage, do not conduct insulation resistance tests on traffic signal cables after termination.
9. Lock all enclosures and bolt down all ground box covers before applying power to the signal installation.
10. Terminate conduits entering the top of enclosures with a conduit-sealing hub or threaded boss such as meter hub. Install a grounding bushing on all metal conduits not connected to conduit-sealing hub or threaded boss. Bond the grounding bushing to the ground bus with a bonding jumper. Seal all conduits entering enclosures with duct seal or expanding foam. Do not use silicone to seal conduit ends.
11. For all conduits, ensure the burial depth is a minimum of 18". Ensure the minimum burial depth for conduit placed under a roadway is 24".

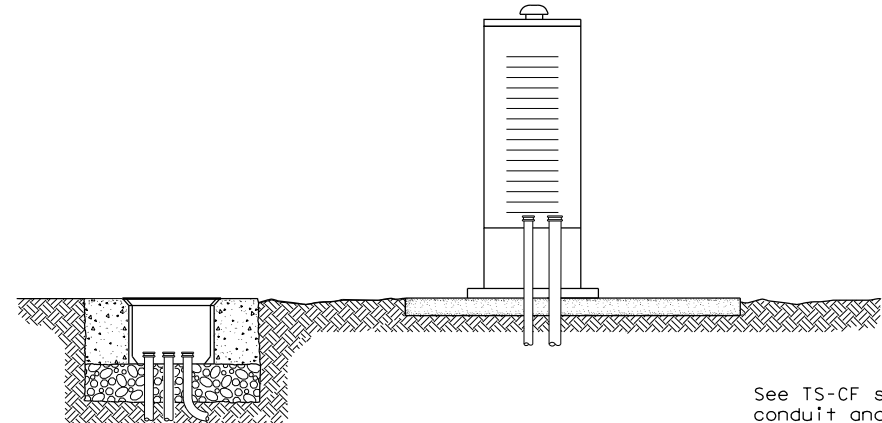


SIGNAL POLE WITH SERVICE

Type T electrical service mounted on signal pole shown as an example. See electrical details, layout sheets, and electrical service data chart for additional details.

SIGNAL CONTROLLER FRONT VIEW

SIGNAL POLE



SIGNAL CONTROLLER SIDE VIEW

See TS-CF standard for conduit and grounding requirements. See layout sheets for ground box locations and any additional conduits that are required.



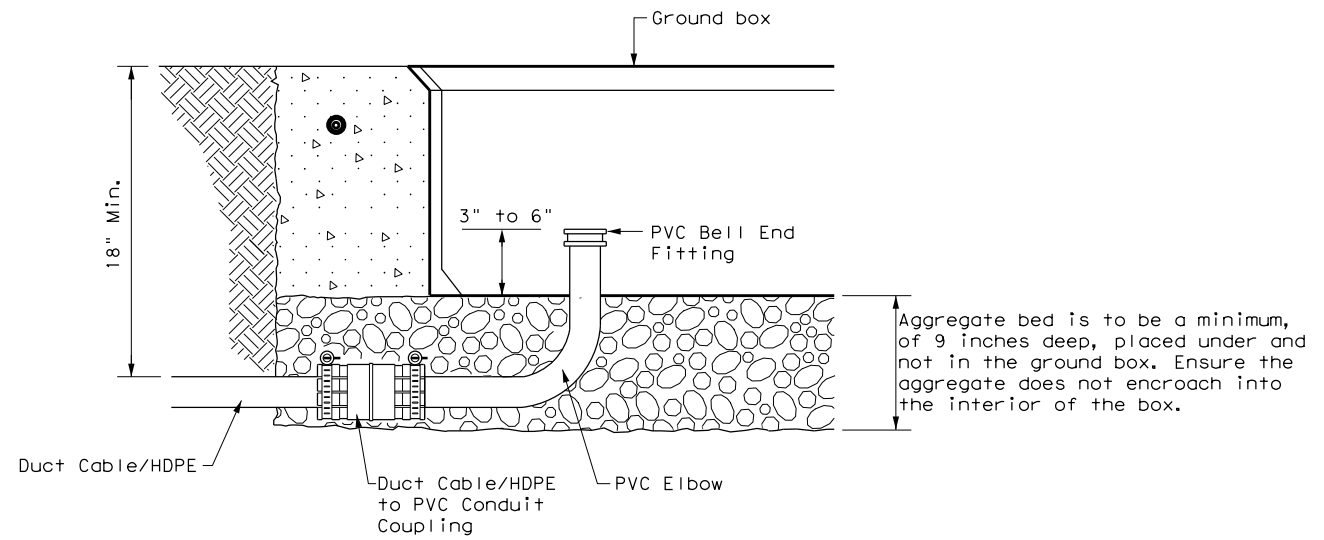
ELECTRICAL DETAILS TYPICAL TRAFFIC SIGNAL SYSTEM DETAILS ED(8) - 14

FILE: ed8-14.dgn	DN: TxDOT	CK: TxDOT	DW: TxDOT	CK: TxDOT
© TxDOT October 2014	CONT	SECT	JOB	HIGHWAY
REVISIONS	0275	01	244	IH 40
	DIST	COUNTY	SHEET NO.	
	AMA	POTTER	112	

DATE: 2/7/2024 9:48:46 AM
 FILE: K:\01509\01509-0027-10 TxDOT AMA PS&E_IH_40\TRAFFIC\SWA1\Standards\ed11-14.dgn
 The use of this standard is governed by the "Texas Engineering Practice Act". No warranty of any kind is made by TxDOT for any purpose whatsoever. TxDOT assumes no responsibility for the conversion of this standard to other formats or for incorrect results or damages resulting from its use.

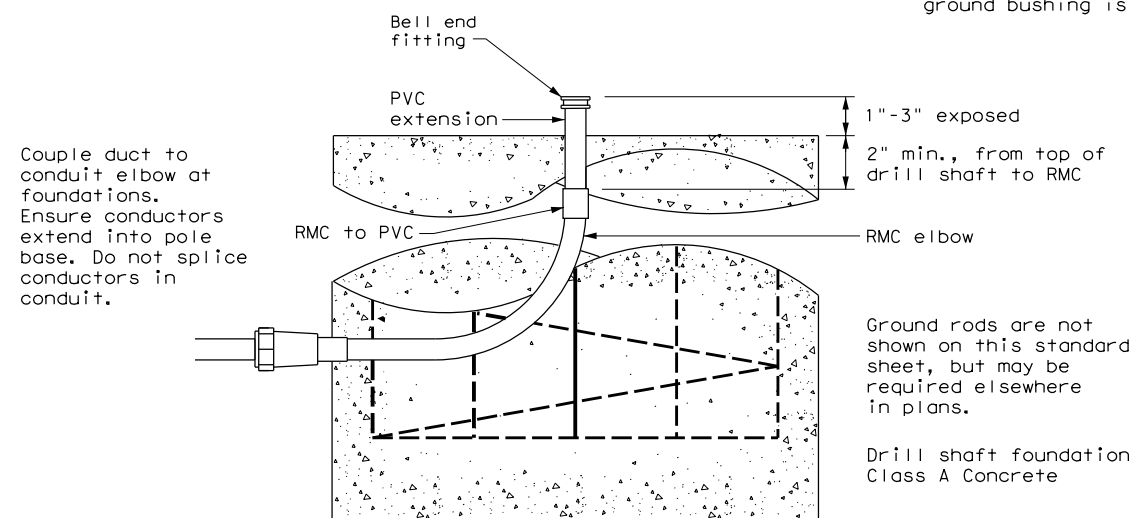
DUCT CABLE & HDPE CONDUIT NOTES

1. Provide duct cable in accordance with Departmental Material Specification (DMS) 11060 "Duct Cable" and Item 622 "Duct Cable." Provide duct cable as listed on the Material Producer List (MPL) on the Department web site under "Roadway Illumination and Electrical Supplies" Item 622.
2. Provide High-Density Polyethylene (HDPE) conduit in accordance with DMS 11060 and Item 618, "Conduit." Provide HDPE as listed on the MPL on the Department web site under "Roadway Illumination and Electrical Supplies," Item 618.
3. Supply duct cable with a minimum 2 in. diameter, unless otherwise shown in the plans. Provide duct cable and HDPE conduit as shown by descriptive code or on the plans. Bend duct cable and HDPE conduit as recommended by the manufacturer, with a minimum bending radius of 26 in. for 2 in. duct. Follow manufacturers' recommendations when handling duct cable and HDPE conduit reels and during installation of duct cable and HDPE conduit.
4. Do not splice conductors within duct cable or HDPE conduit. Couple duct cable and HDPE entering a ground box or foundation to a PVC elbow. When galvanized steel RMC elbows are called for in the plans and any portion of the RMC elbow is buried less than 18" from possible contact, ground the RMC elbow.
5. Furnish and install duct cable with factory installed conductors, sized as shown in the plans and as required by the National Electrical Code (NEC). The NEC contains specific requirements for duct cable in Article, "Nonmetallic Underground Conduit with Conductors: Type NUCC."
6. When conduit casing is called for in the plans, extend duct cable or HDPE conduit through the conduit casing in one continuous length without connection to the casing.
7. Seal the ends of duct cable or HDPE conduit with duct seal, expandable foam, or other approved method after completing the pull tests required by Item 622.
8. Provide minimum cover of 24 in. under roadways, 18 in. in other locations, or as shown on the plans.
9. Furnish and install listed fittings to couple duct cable or HDPE conduit to other types of conduit. Duct cable and HDPE conduit may be field-threaded and spliced with PVC or RMC threaded couplings; connected with listed tie-wrap fittings; connected using listed coupling made of HDPE with stainless steel external banding clamps and locking rings; connected with approved electrofusion conduit couplings; or connected using an approved chemical fusion method using an epoxy or adhesive specifically designed for HDPE couplings and connectors all installed in accordance with their manufacturer's instructions. Do not use PVC glue on HDPE. Do not use water pipe fittings, or connect conduit with heat shrink tubing.

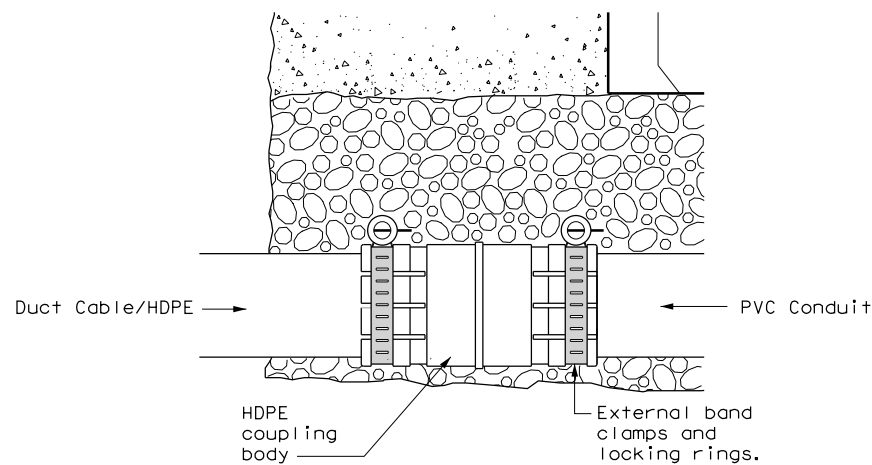


DUCT CABLE/HDPE AT GROUND BOX

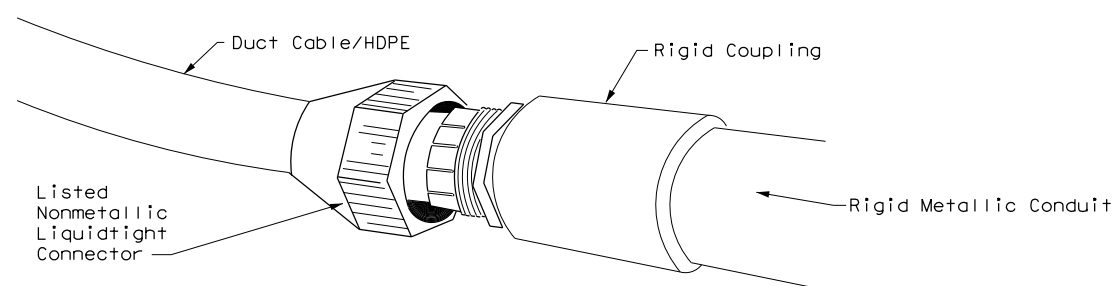
When the upper end of an RMC EII does not enter the ground box, it may be extended with a SCH-40 PVC conduit nipple and bell end, provided there is a minimum of 18" of cover over all parts of the elbow. If not, a rigid extension and ground bushing is required.



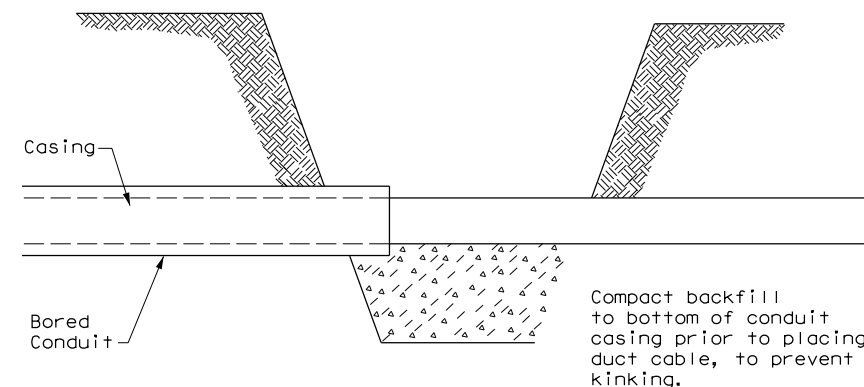
DUCT CABLE / HDPE AT FOUNDATION



DUCT CABLE/HDPE TO PVC



DUCT CABLE/HDPE TO RMC

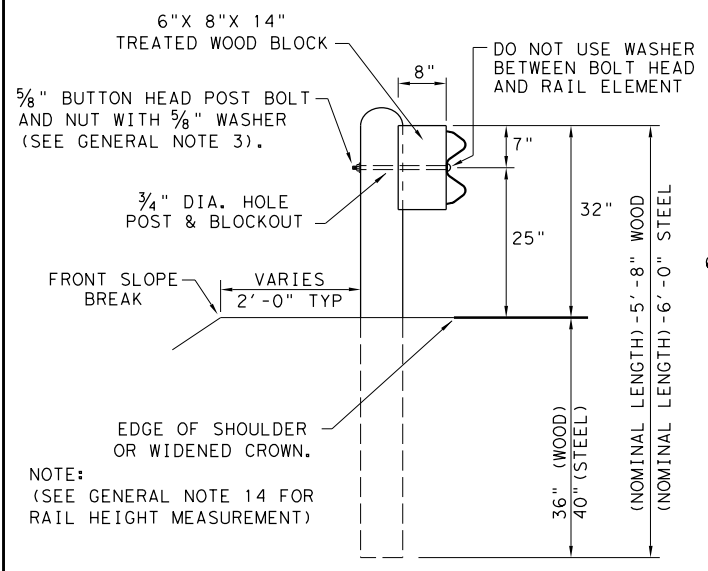


BORE PIT DETAIL

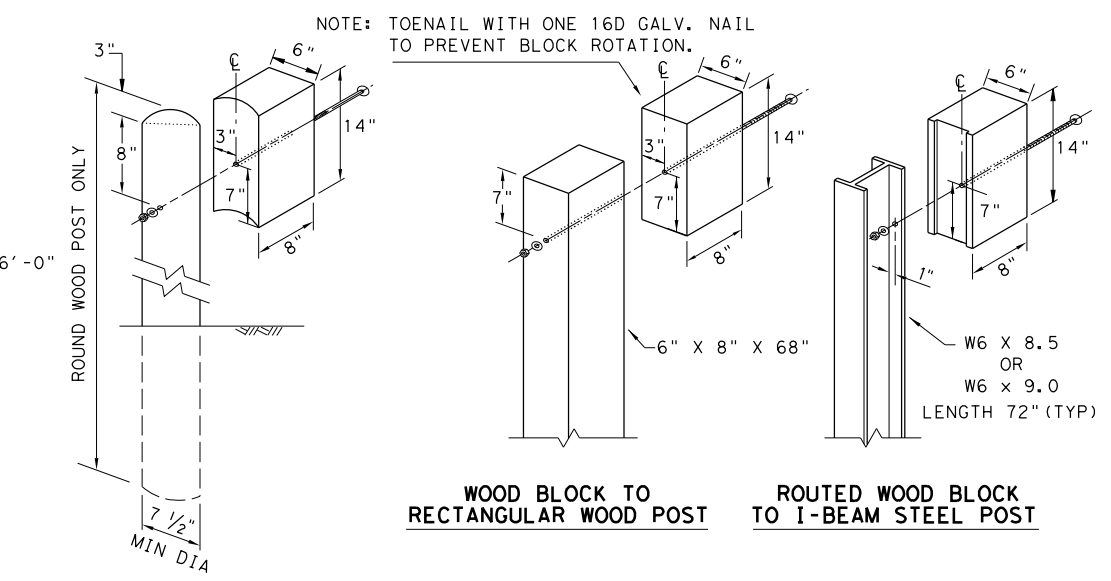
		Traffic Operations Division Standard	
ELECTRICAL DETAILS DUCT CABLE/ HDPE CONDUIT			
ED(11)-14			
FILE: ed11-14.dgn	DN: TxDOT	CK: TxDOT	DW: TxDOT
© TxDOT October 2014	CONT: 0275	SECT: 01	JOB: 244
REVISIONS	DIST: AMA		COUNTY: POTTER
			SHEET NO.: 113

DISCLAIMER: THE USE OF THIS STANDARD IS GOVERNED BY THE "TEXAS ENGINEERING PRACTICE ACT". NO WARRANTY OF ANY KIND IS MADE BY TXDOT FOR ANY PURPOSE WHATSOEVER. TXDOT ASSUMES NO RESPONSIBILITY FOR THE CONVERSION OF THIS STANDARD TO OTHER FORMATS OR FOR INCORRECT RESULTS OR DAMAGES RESULTING FROM ITS USE.

DATE: 2/7/2024
 FILE: K:\01509\01509-0027-10 TxDOT AMA PS&E_IH_40\TRAFFIC\SWA1\Standards\gcf3119.dgn



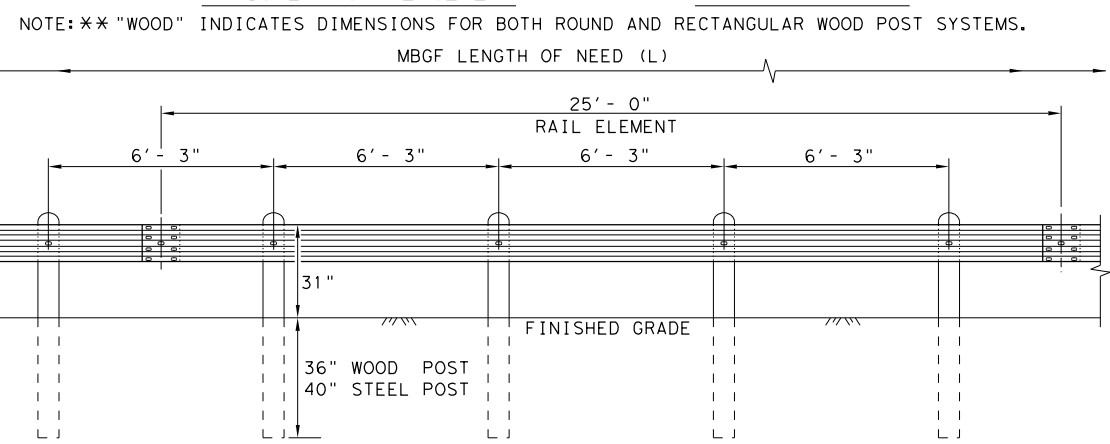
TYPICAL POST PLACEMENT



WOOD BLOCK TO ROUND WOOD POST **ROUTED WOOD BLOCK TO I-BEAM STEEL POST**

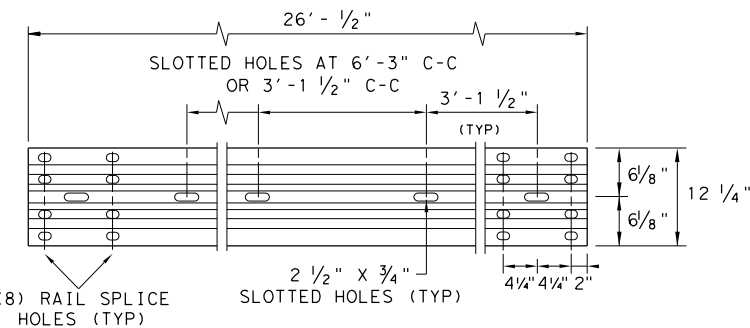
GENERAL NOTES

1. THE TYPE OF POST (ROUND WOOD POST, RECTANGULAR WOOD POST, OR STEEL POST) WILL BE AS SHOWN IN THE PLANS. THE EXACT POSITION OF MBGF SHALL BE SHOWN IN THE PLANS OR AS DIRECTED BY THE ENGINEER. STEEL POSTS TO BE GALVANIZED IN ACCORDANCE WITH ITEM 445, "GALVANIZING."
2. RAIL ELEMENTS SHALL MEET THE REQUIREMENTS OF ITEM 540, "METAL BEAM GUARD FENCE" EXCEPT AS MODIFIED IN THE PLANS. THE CONTRACTOR MAY FURNISH RAIL ELEMENTS OF 25'-0", OR 12'-6" (NOM.) LENGTHS. RAIL ELEMENTS MAY HAVE SLOTTED HOLES AT 3'-1 1/2" C-C OR 6'-3" C-C. A SPECIAL LENGTH OF RAIL MAY BE MANUFACTURED TO ACCOMMODATE THE DOWNSTREAM ANCHOR TERMINAL (DAT) AND THE TRANSITION SECTIONS OF GUARDRAIL.
3. BUTTON HEAD "POST BOLTS & NUTS" SHALL MEET THE REQUIREMENTS OF (ASTM A307), AND SHALL BE OF SUFFICIENT LENGTH TO EXTEND THROUGH THE FULL THICKNESS OF THE NUT AND 5/8" WASHER (FWC160) AND NOT MORE THAN 1" BEYOND IT. TRIM REMAINING BOLT LENGTH TO MEET REQUIRED LENGTH.
4. FITTINGS (BOLTS, NUTS, AND WASHERS) SHALL BE GALVANIZED IN ACCORDANCE WITH ITEM 445, "GALVANIZING." FITTINGS SHALL BE SUBSIDIARY TO THE BID ITEM.
5. CROWN SHALL BE WIDENED TO ACCOMMODATE THE METAL BEAM GUARD FENCE.
6. THE LATERAL APPROACH TO THE GUARD FENCE, SHALL HAVE A MAXIMUM SLOPE OF 1V:10H.
7. IF SHOWN ELSEWHERE IN THE PLANS OR AS DIRECTED BY THE ENGINEER, THE GUARD FENCE MAY BE FLARED AT A RATE OF 25:1 OR FLATTER.
8. UNLESS OTHERWISE SHOWN IN THE PLANS, GUARD FENCE PLACED IN THE VICINITY OF CURBS SHALL BE POSITIONED SO THAT THE FACE OF CURB IS LOCATED DIRECTLY BELOW OR BEHIND THE FACE OF THE RAIL. RAIL PLACED OVER CURBS SHALL BE INSTALLED SO THAT THE POST BOLT IS LOCATED APPROXIMATELY 25 INCHES ABOVE THE GUTTER PAN OR EDGE OF SHOULDER.
9. APPLICATIONS IN SOLID ROCK ARE ONLY ALLOWED WITH STEEL POSTS. IF SOLID ROCK IS ENCOUNTERED WITHIN 0 TO 18" OF THE FINISHED GRADE, DRILL A 24" DIA. HOLE, 24" INTO THE ROCK. IF SOLID ROCK IS ENCOUNTERED BELOW 18", DRILL A 12" DIA. HOLE, 12" INTO THE ROCK OR TO THE STANDARD EMBEDMENT DEPTH, WHICHEVER MAYBE LESS. ANY EXCESS POST LENGTH, AFTER MEETING THESE DEPTHS, MAY BE FIELD CUT TO ENSURE PROPER GUARDRAIL MOUNTING HEIGHT. BACKFILL WITH COARSE AGGREGATE MATERIAL.
10. POSTS SHALL NOT BE SET IN CONCRETE, OF ANY DEPTH.
11. SPECIAL FABRICATION WILL BE REQUIRED AT INSTALLATION LOCATIONS HAVING A CURVATURE OF LESS THAN 150 FT. RADIUS.
12. UNLESS OTHERWISE SHOWN IN THE PLANS, A COMPOSITE MATERIAL BLOCK THAT MEETS THE REQUIREMENTS OF DMS-7210, "COMPOSITE MATERIAL POSTS AND BLOCKS FOR METAL BEAM GUARD FENCE" MAY BE SUBSTITUTED FOR BLOCKS OF SIMILAR DIMENSIONS. THE CONSTRUCTION DIVISION, TXDOT MAINTAINS A MATERIAL PRODUCER LIST (MPL) FOR PRODUCERS OF MATERIALS CONFORMING TO DMS-7210 ONLY PRODUCERS ON THE MPL MAY FURNISH COMPOSITE MATERIAL BLOCKS.
13. FOR THE LOW FILL CULVERT OPTION, POSTS LOCATED PARTIALLY OR WHOLLY BETWEEN PRECAST BOX CULVERT UNITS, THE USE OF A CAST-IN-PLACE CONCRETE CLOSURE BETWEEN BOXES IS REQUIRED. THE LENGTH OF THE CAST-IN-PLACE CONCRETE CLOSURE SHALL ACCOMMODATE THE PLACEMENT OF THE LOW FILL CULVERT OPTION. SEE CONCRETE CLOSURE DETAILS ON BRIDGE STANDARD SCP-MD.
14. GUARDRAIL HEIGHT MEASUREMENT: WHEN THE GUARDRAIL IS LOCATED ABOVE PAVEMENT, MEASURE THE HEIGHT FROM THE PAVEMENT TO THE TOP OF THE W-BEAM RAIL. WHEN THE GUARDRAIL IS LOCATED UP TO 2 FT. OFF OF THE EDGE OF PAVEMENT OR FOR A PAVEMENT OVERLAY, USE A 10-FOOT STRAIGHTEDGE TO EXTEND THE PAVEMENT/SHOULDER SLOPE TO THE BACK OF RAIL, MEASURE FROM THE BOTTOM OF STRAIGHTEDGE TO THE TOP OF RAIL. FOR GUARDRAIL LOCATED DOWN A 10:1 SLOPE, MEASURE FROM THE NOMINAL TERRAIN.



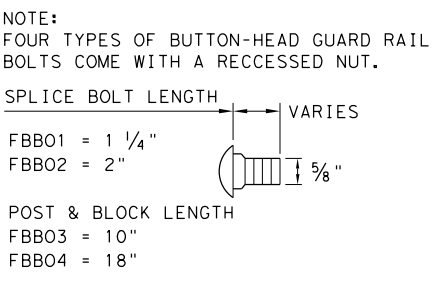
ELEVATION MID-SPAN RAIL SPLICE

SHOWING A 25'-0" SECTION OF W-BEAM RAIL. (SEE GENERAL NOTE 2)



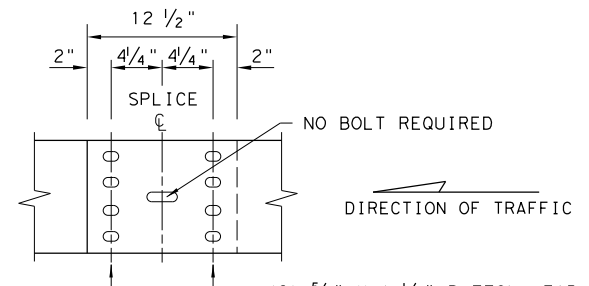
ELEVATION 25'-0" (NOM.) W-BEAM SECTION

NOTES: SEE GENERAL NOTE 2 FOR ALLOWABLE RAIL TYPES. SEE RAIL SPLICE DETAIL FOR REQUIRED HARDWARE.



BUTTON HEAD BOLT

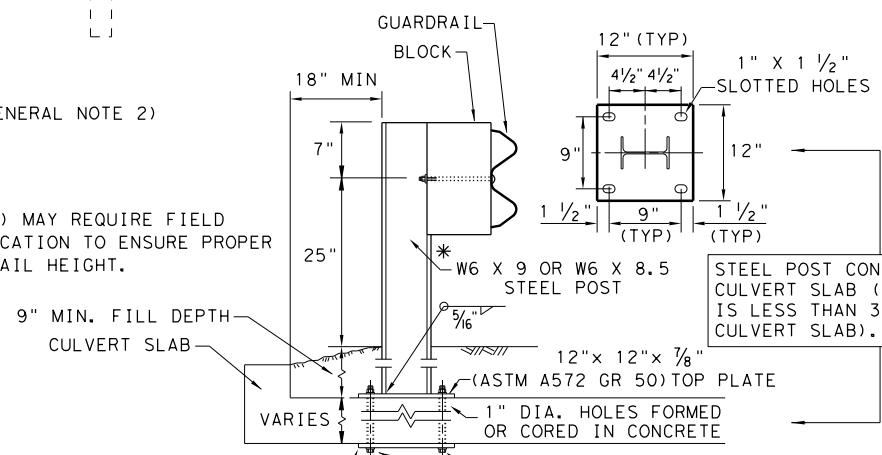
NOTE: SEE GENERAL NOTE 3 FOR SPLICE & POST BOLT DETAILS.



MID-SPAN RAIL SPLICE DETAIL

NOTE: GF(31), MID-SPAN RAIL SPLICES ARE REQUIRED WITH 6'-3" POST SPACINGS.

* POST(S) MAY REQUIRE FIELD MODIFICATION TO ENSURE PROPER GUARDRAIL HEIGHT.



LOW FILL CULVERT POST

NOTE: TWO INSTALLATION OPTIONS.

1. **BOLT-THROUGH OPTION:** REQUIRES A 6" MIN. SLAB THICKNESS. 7/8" DIA (ASTM A449) HEAVY HEX BOLTS WITH TWO HARDENED WASHER EACH AND HEAVY HEX NUTS. NOTE: BOLT LENGTH = SLAB PLUS 2 1/4" MIN.
2. **EPOXY ANCHOR OPTION:** THIS OPTION MAY ONLY BE USED IF THE CULVERT SLAB IS 9" MIN. THICK. THREADED ANCHOR RODS MUST BE 7/8" DIA. ASTM A449 OR A193 GRADE B7 WITH HEAVY HEX NUT, AND ONE HARDENED WASHER EACH. EMBED ANCHOR RODS 6" WITH HILTI HIT RE 500 EPOXY ADHESIVE. OTHER TYPE III CLASS C EPOXY ADHESIVES MEETING THE REQUIREMENTS OF DMS-6100, "EPOXIES AND ADHESIVES", MAY BE USED IF IT CAN BE DEMONSTRATED THAT THEY MEET OR EXCEED THE STRENGTH OF HILTI HIT RE 500 WITH THE SAME EMBEDMENT DEPTH AND THREADED ROD DIA. FOLLOW THE MANUFACTURER'S REQUIREMENTS FOR INSTALLING EPOXIED THREADED RODS. EXTEND RODS 1/4" MIN. BEYOND NUT.

NOTE: CULVERTS OF 25 FT. OR LESS, SEE GF(31)LS STANDARD FOR "LONG SPAN" OPTION.

NOTE: TRANSITIONS TO BRIDGE RAILS OR TRAFFIC BARRIERS. SEE GF(31)TL3 TR STANDARD FOR HIGH-SPEED TL-3 TRANSITIONS. SEE GF(31)TL2 TR STANDARD FOR LOW-SPEED TL-2 TRANSITIONS.

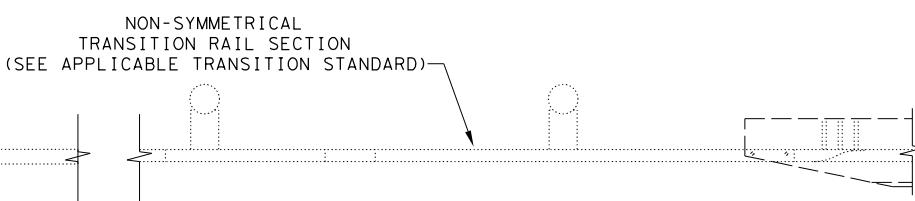
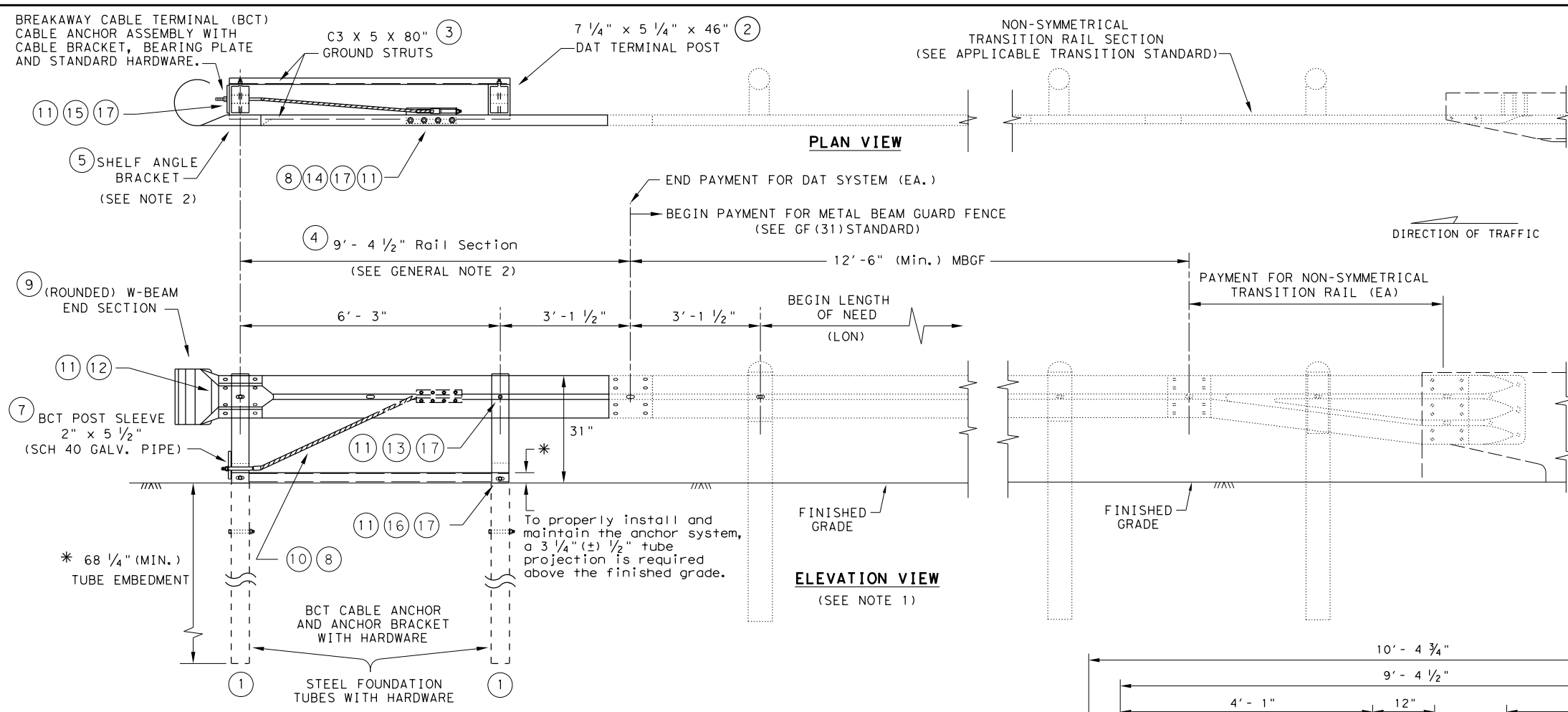
Design Division Standard

METAL BEAM GUARD FENCE TL-3 MASH COMPLIANT GF(31)-19

FILE: gcf3119.dgn	DN: TxDOT	CK: KM	DW: VP	CK: CGL/AG
© TXDOT: NOVEMBER 2019	CONT	SECT	JOB	HIGHWAY
REVISIONS	0275	01	244	IH 40
	DIST	COUNTY	SHEET NO.	
	AMA	POTTER	114	

DISCLAIMER: THE USE OF THIS STANDARD IS GOVERNED BY THE "TEXAS ENGINEERING PRACTICE ACT". NO WARRANTY OF ANY KIND IS MADE BY TXDOT FOR ANY PURPOSE WHATSOEVER. TXDOT ASSUMES NO RESPONSIBILITY FOR THE CONVERSION OF THIS STANDARD TO OTHER FORMATS OR FOR INCORRECT RESULTS OR DAMAGES RESULTING FROM ITS USE.

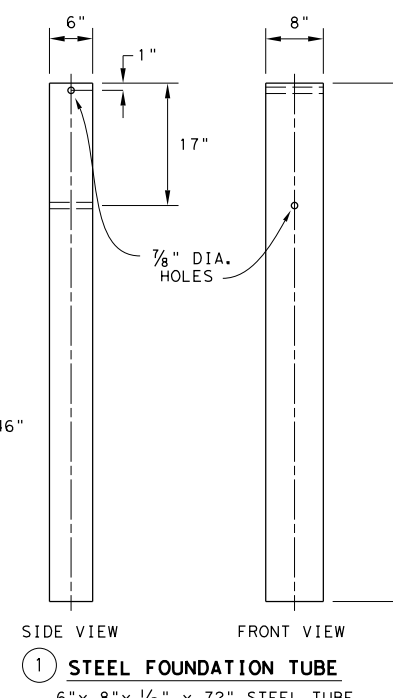
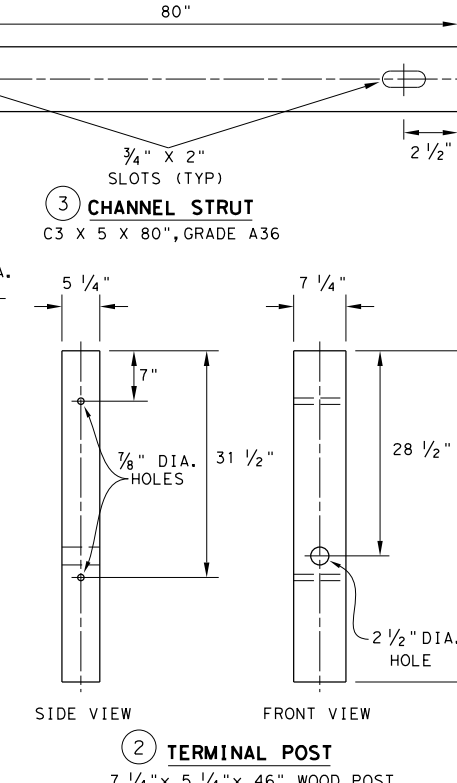
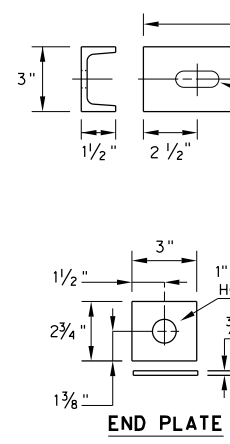
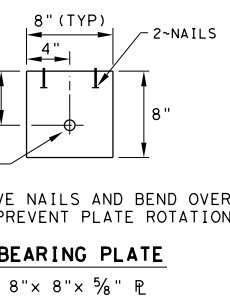
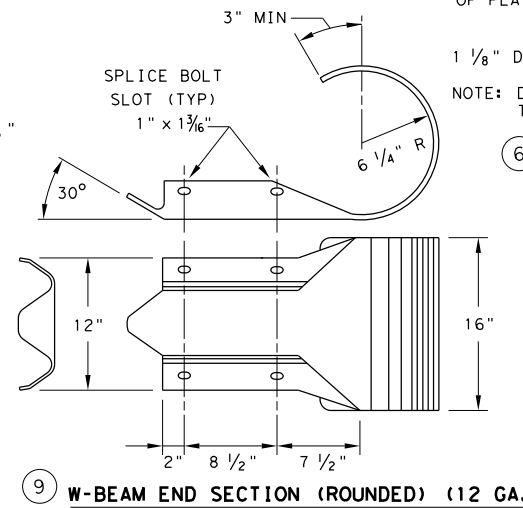
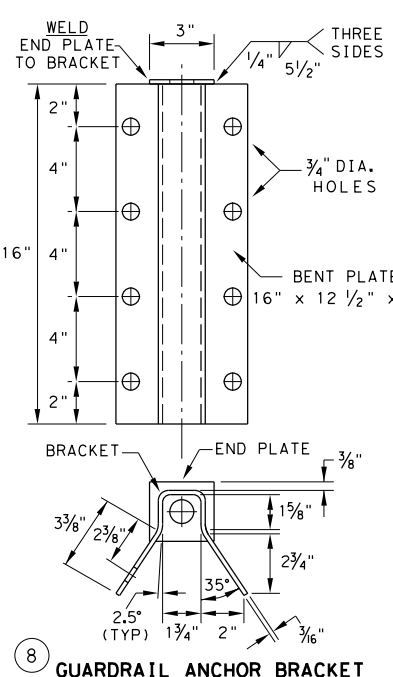
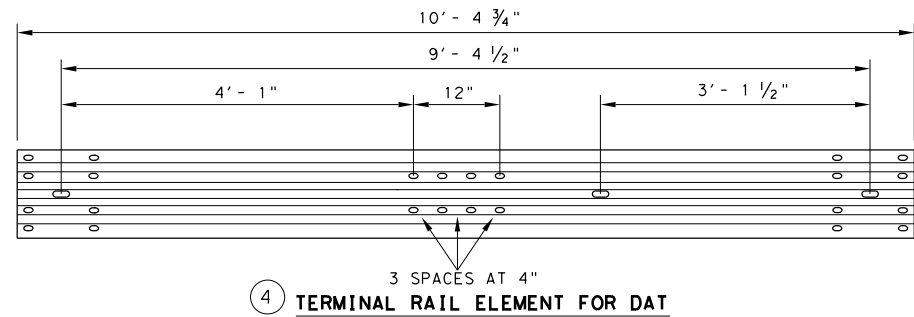
DATE: 2/7/2024
 FILE: K:\01509\01509-0027-10 TxDOT AMA PS&E IH 40 TRAFFIC SWA1\Standards\gf31dat19.dgn



DOWNSTREAM ANCHOR TERMINAL (DAT)
 NOTE: ONLY FOR DOWNSTREAM USE, WHEN LOCATED OUTSIDE THE HORIZONTAL CLEARANCE AREA OF OPPOSING TRAFFIC.

- GENERAL NOTES**
1. THE DETAIL SHOWN IS THE MINIMUM LENGTH OF NEED (LON) FOR A DOWNSTREAM ANCHOR TERMINAL (DAT) CONNECTED TO A CONCRETE RAIL.
 2. THE RAIL SECTION AT THE END POST IS SUPPORTED BY THE SHELF ANGLE BRACKET. THE RAIL ELEMENT IS NOT ATTACHED TO THE END POST.
 3. THE FOUNDATION TUBES SHALL NOT PROJECT MORE THAN 3 3/4" ABOVE THE FINISHED GRADE.
 4. ALL HARDWARE FOR DAT SHALL BE ASTM A307 UNLESS OTHERWISE SHOWN.
 5. REFER TO GF (31) SHEET FOR TERMINAL CONNECTION DETAILS.

MOW STRIP INSTALLATION
 IF A MOW STRIP IS REQUIRED WITH THE DAT INSTALLATION THE LEAVE-OUT AREA AROUND THE STEEL FOUNDATION TUBES AND THE TWO CHANNEL STRUTS MAY BE OMITTED. THIS WILL REQUIRE A FULL POUR AT THE FOUNDATION TUBES.



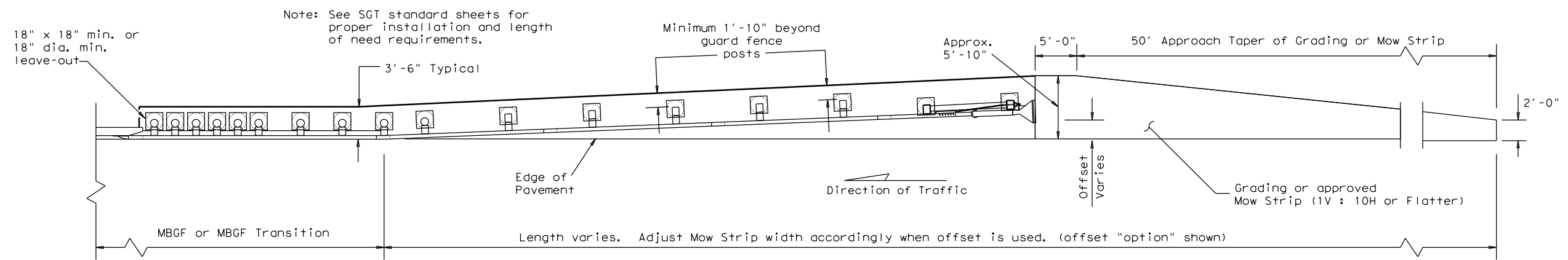
#	(DAT) PARTS LIST	QTY
1	STEEL FOUNDATION TUBE	2
2	DAT TERMINAL POST	2
3	CHANNEL STRUT	2
4	TERMINAL RAIL ELEMENT	1
5	SHELF ANGLE BRACKET	1
6	BCT BEARING PLATE	1
7	BCT POST SLEEVE	1
8	GUARDRAIL ANCHOR BRACKET	1
9	(ROUNDED) W-BEAM END SECTION	1
10	BCT CABLE ANCHOR	1
11	RECESSED NUT, GUARDRAIL	20
12	1 1/4" BUTTON HEAD BOLT	4
13	10" BUTTON HEAD BOLT	2
14	5/8" x 2" HEX HEAD BOLT	8
15	5/8" x 8" HEX HEAD BOLT	4
16	5/8" x 10" HEX HEAD BOLT	2
17	5/8" FLAT WASHER	18

Texas Department of Transportation Design Division Standard

METAL BEAM GUARD FENCE (DOWNSTREAM ANCHOR TERMINAL) TL-3 MASH COMPLIANT GF (31) DAT-19

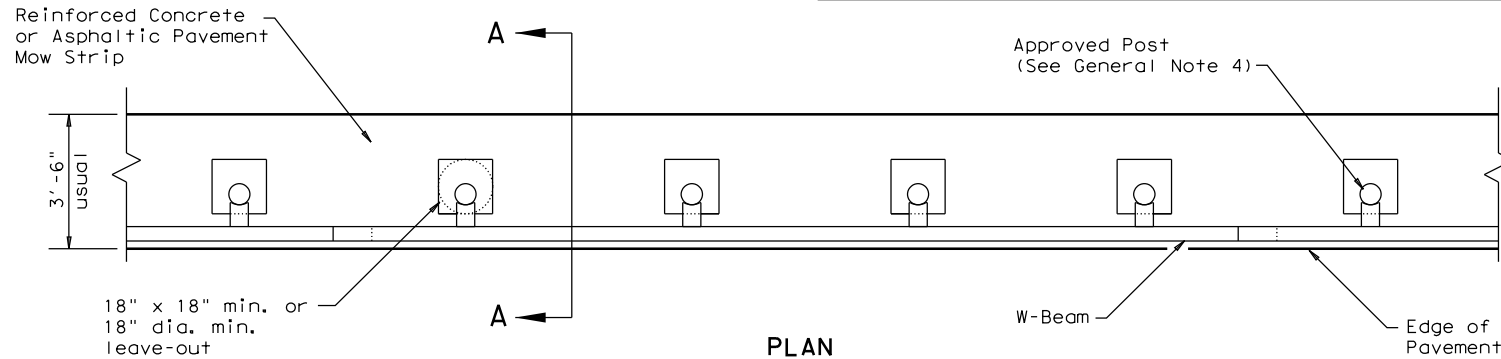
FILE: gf31dat19.dgn	DN: TXDOT	CK: KM	DW: VP	CK: CGL/AG
© TXDOT: NOVEMBER 2019 REVISIONS	CONT: 0275	SECT: 01	JOB: 244	HIGHWAY: IH 40
	DIST: AMA	COUNTY: POTTER	SHEET NO. 115	

DISCLAIMER: THE USE OF THIS STANDARD IS GOVERNED BY THE "TEXAS ENGINEERING PRACTICE ACT". NO WARRANTY OF ANY KIND IS MADE BY TXDOT FOR ANY PURPOSE WHATSOEVER. TXDOT ASSUMES NO RESPONSIBILITY FOR THE CONVERSION OF THIS STANDARD TO OTHER FORMATS OR FOR INCORRECT RESULTS OR DAMAGES RESULTING FROM ITS USE.
 DATE: 2/7/2024
 FILE: K:\01509\01509-0027-10 TxDOT AMA PS&E IH 40\TRAFFIC\SWA1\Standards\gf31ms19.dgn



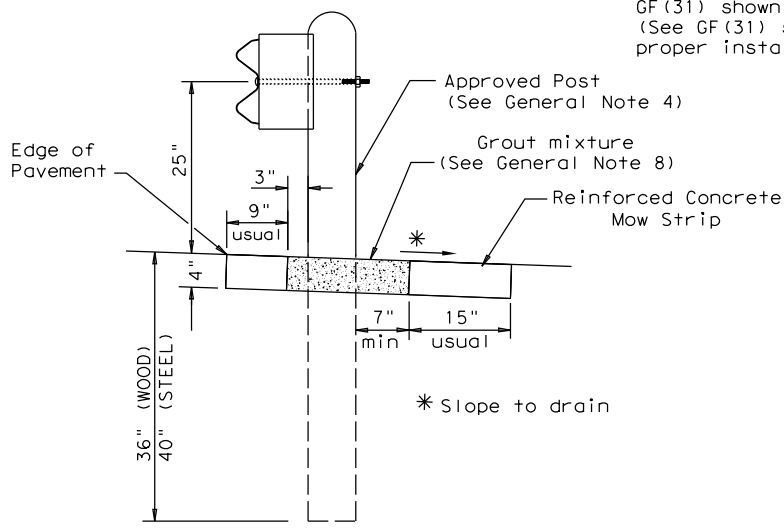
GRADING AND MOW STRIP AT GUARDRAIL END TREATMENTS

Note: Site Condition(s)
 Site conditions may exist where grading is required for the proper installation of metal guard fence and end treatments.
 Approach grading or mow strip may be decreased or eliminated, as directed by the Engineer.



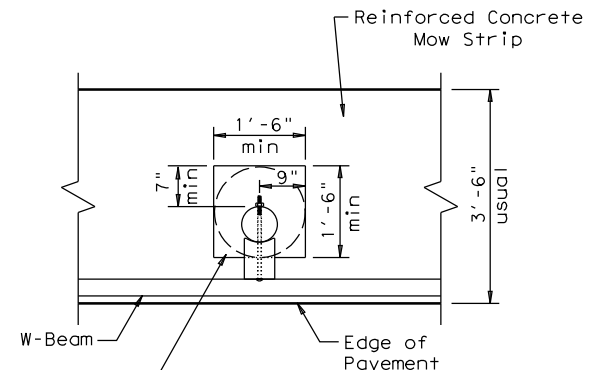
PLAN

GF(31) shown with Mow Strip
 (See GF(31) standard sheet for proper installation)



SECTION A-A

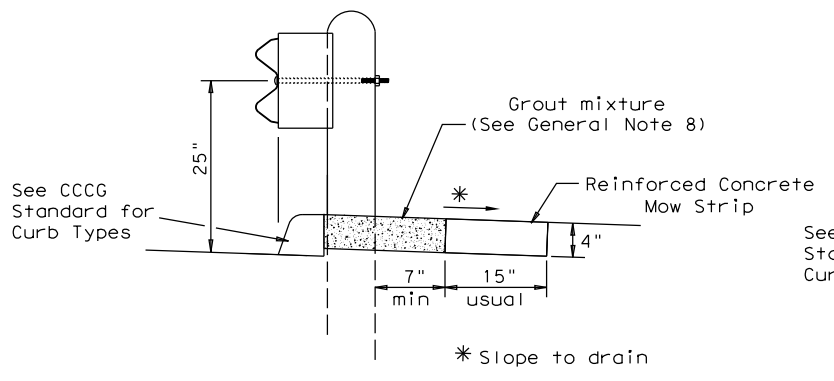
Typical



MOW STRIP DETAIL

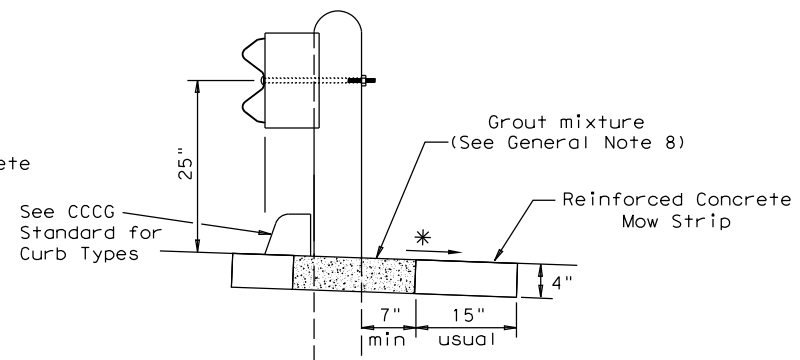
Reinforced Concrete Mow Strip with 18" x 18" Square or 18" Dia. minimum leave-out.

- GENERAL NOTES**
- This mow strip design is for use with metal beam guard fence, guard fence transitions, and guard fence end treatments. See applicable GF(31) MBGF or GF(31) Transition Standard sheet for additional information.
 - Mow strips shall be reinforced concrete with (wire mesh or synthetic fiber), as shown on the plans and will be paid for under the pertinent bid item. Reinforced concrete shall be placed in accordance with Item 432, "Riprap." The use of the synthetic fiber in lieu of steel reinforcing is acceptable, provided the fiber producer is on the Department Material Producer List (MPL), maintained by TxDOT, Construction Division.
 - The leave-out behind the post shall be a minimum of 7".
 - Only steel (W6 x 8.5 or W6 x 9.0), or 7 1/2" Dia. round wood posts are acceptable for use in the mow strip. See GF(31) Standard for additional details.
 - Other curb placement options may be used. Curbs are not considered part of the mow strip and will be paid for under other pertinent bid item.
 - Thickness of the mow strip will be 4".
 - The limits of payment for reinforced concrete will include leave-outs for the posts.
 - The leave-outs shall be filled with a Grout mixture consisting of: 2719 pounds sand, 188 pounds Type 1 or II cement, and 550 pounds of water per cubic yard, with a 28-day compressive strength of approximately 230 psi or less. Provide grout with a consistency that will flow into and completely fill all voids. Due to auger size, larger leave-out dimensions are acceptable from both an impact performance and maintenance repair standpoint (Suggested Maximum leave-out of 20"). Payment for furnishing and placing the grout mixture will be subsidiary to the pay item of riprap mow strip.



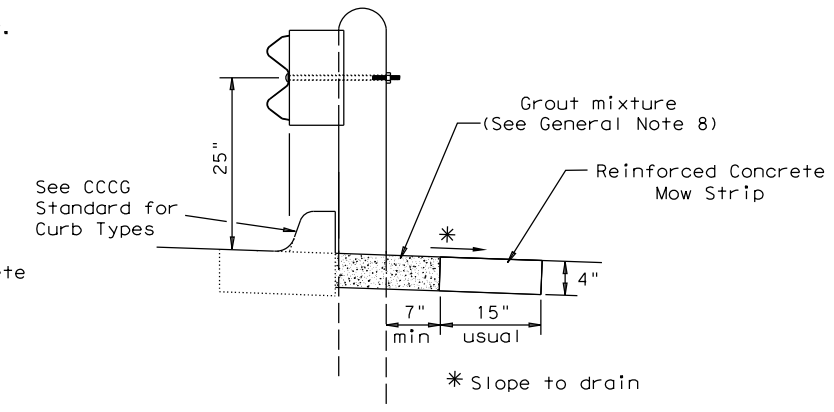
CURB OPTION (1)

This option will increase the post embedment throughout the system.



CURB OPTION (2)

Curb shown on top of mow strip



CURB OPTION (3)

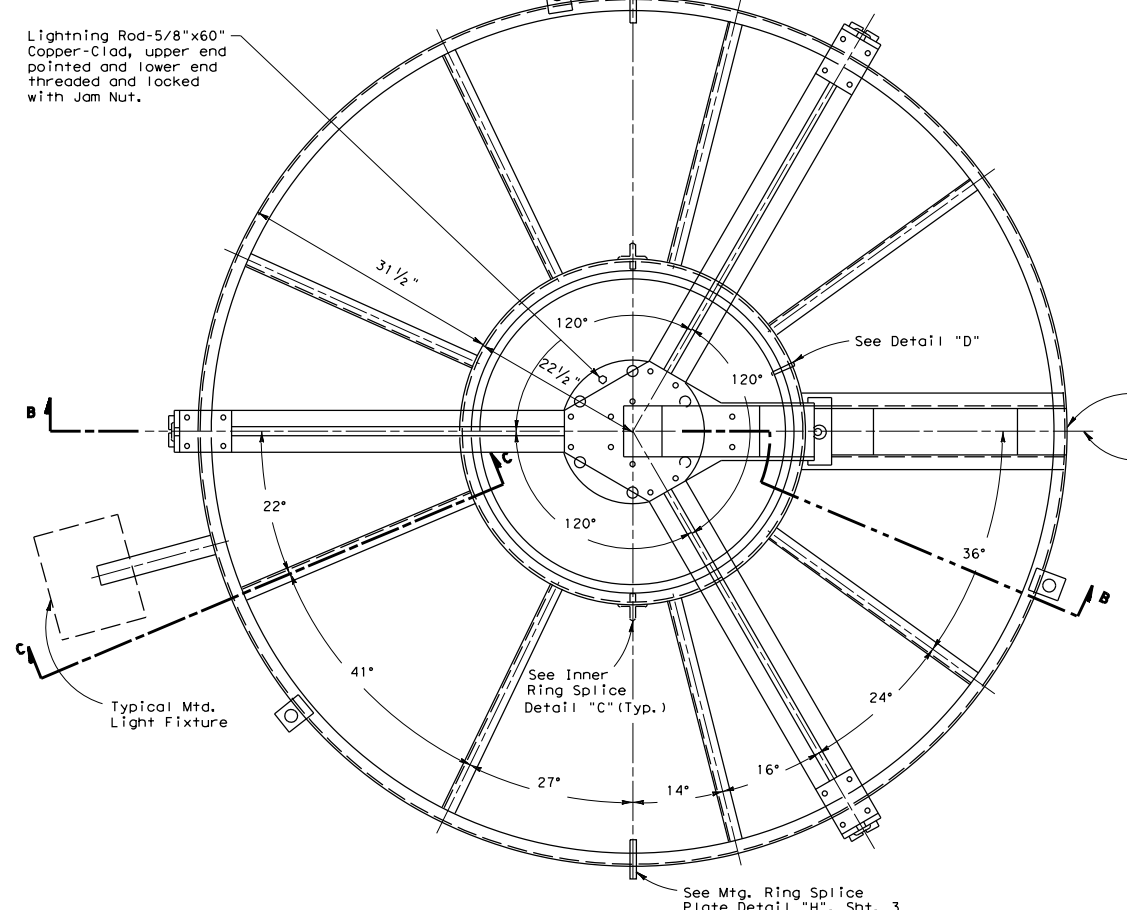
		Design Division Standard	
METAL BEAM GUARD FENCE (MOW STRIP) TL-3 MASH COMPLIANT GF(31)MS-19			
FILE: gf31ms19.dgn	DN: TxDOT	CK: KM	DW: VP
© TXDOT: NOVEMBER 2019	CONT	SECT	JOB
REVISIONS	0275	01	244
DIST	COUNTY	SHEET NO.	
AMA	POTTER	116	

DISCLAIMER: The use of this standard is governed by the "Texas Engineering Practice Act". No warranty of any kind is made by TxDOT for any purpose whatsoever. TxDOT assumes no responsibility for the conversion of this standard to other formats or for incorrect results or damages resulting from its use.

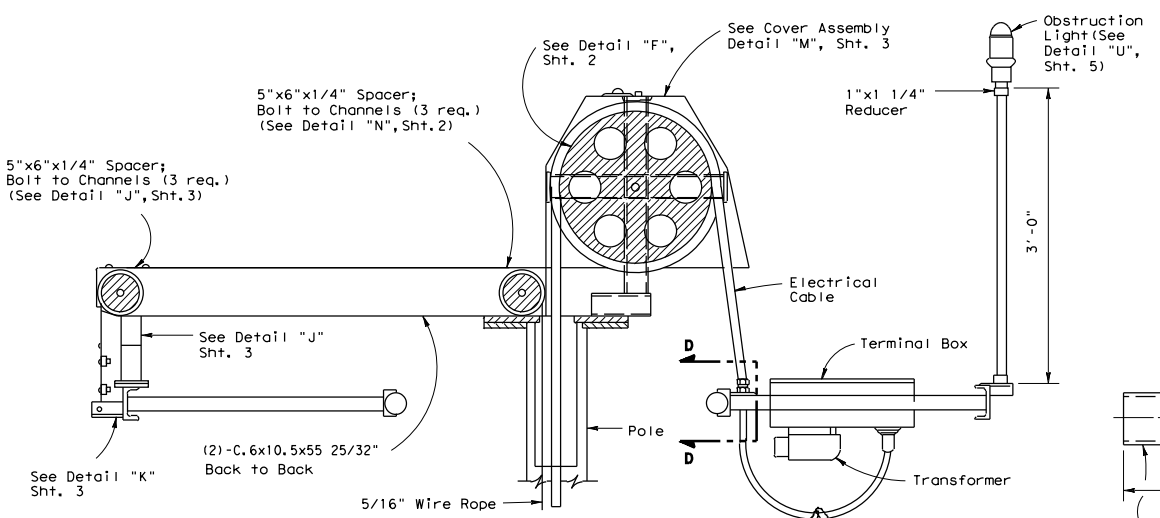
DATE: 2/7/2024 9:48:48 AM
 FILE: K:\01509\01509-0027-10 TxDOT AMA PS&E_IH_40\TRAFFIC\SWA1\Standards\hmid-03.dgn

NOTES:

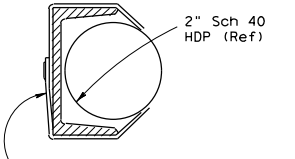
1. Pole, Ring, and Ring Support shall be assembled and erected so that Reference Line is parallel to center line of roadway or as shown on "Lighting Layouts" sheets.
2. Fixture Placement on ring shall provide a min. Clearance of 7" between Fixtures.



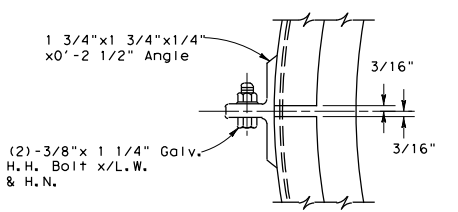
LIGHT MOUNTING RING & SUPPORT ASSEMBLY



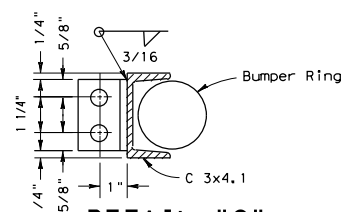
SECTION B-B



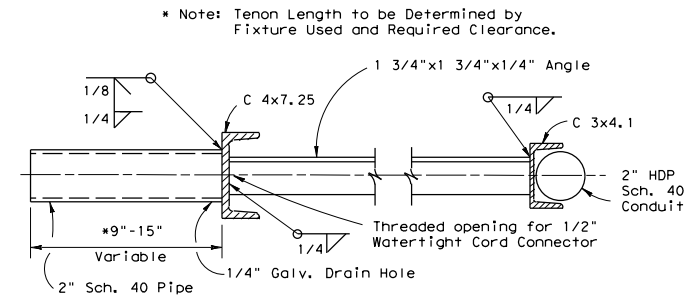
DETAIL "D" BUMPER RING ATTACHMENT



PLAN

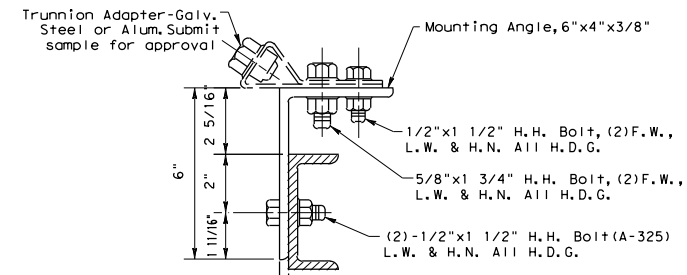
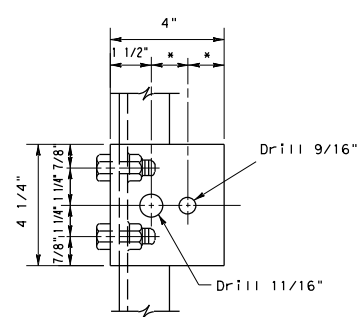


DETAIL "C" INNER RING SPLICE



SECTION C-C (FOR AREALIGHTS)

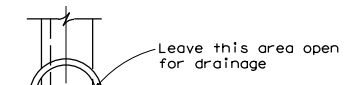
* As required by Trunnion Adapter supplied.



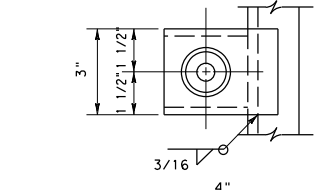
Note: For Z Pattern underslung fixture mounting see Shts. 6 & 7.

SECTION C-C (FOR TRUNNION MOUNT)

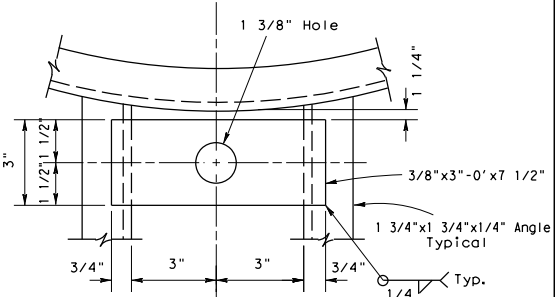
NOTE: Provide S.S. or galv. cable safety lanyard for Light Fixture when Trunnion Mount is used.



SECTION C-C (FOR FLOODLIGHTS)



DETAIL "E" (CONDUIT ATTACHMENT FOR OBSTRUCTION LIGHTS, TYPICAL (3) PLACES)



Note: Confirm Connector Size. Use 1" All Thread Nipple & (2) 1" Jam Nuts to Connect Grip to Cord Connector

Heavy Duty, Multi-Weave Stainless Steel Cable Grip w/1" Female Fitting. Install Stainless Steel Band at Top of Grip.

Bumper Ring C. 3x4.1

Liquidite Cord Connector, T&B 2649

#8/3C. Electrical Cable

SECTION D-D

NOTE: COVER CORD WITH HEAT SHRINK TUBING FROM CABLE GRIP TO WITHIN ONE INCH OF GRIP TO CONNECTOR TRANSITION PRIOR TO INSTALLING CABLE GRIP.

Texas Department of Transportation
 Traffic Operations Division

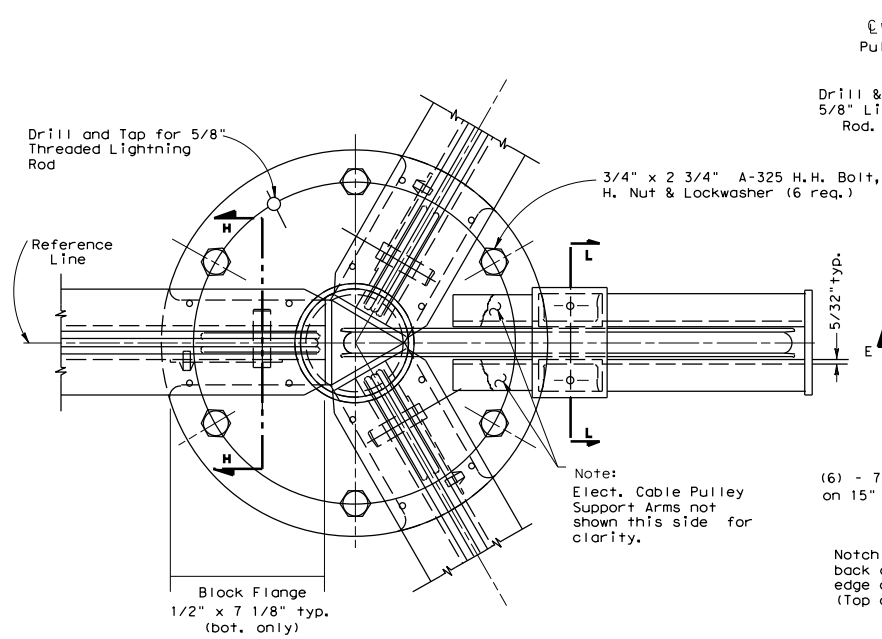
HIGH MAST ILLUMINATION DETAILS

HMID(1)-03

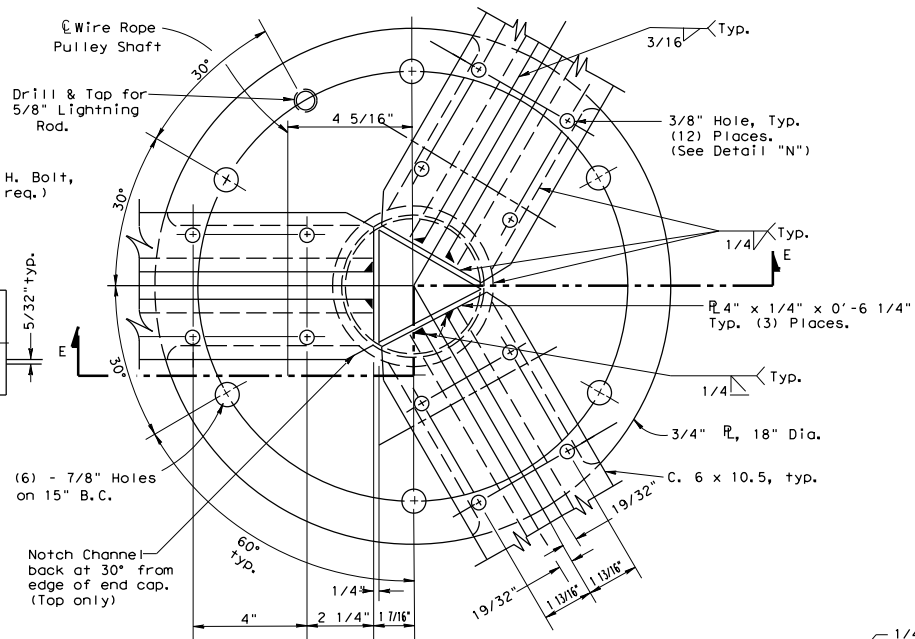
© TxDOT January 1986		DN: TxDOT	CK: TxDOT	DW: TxDOT	CK: TxDOT
5-86	REVISIONS	CONT	SECT	JOB	HIGHWAY
4-87	10-14-87	0275	01	244	IH 40
5-87	4-96				
10-1-87		DIST	COUNTY	SHEET NO.	
		AMA	POTTER	117	

DISCLAIMER: The use of this standard is governed by the "Texas Engineering Practice Act". No warranty of any kind is made by TxDOT for any purpose whatsoever. TxDOT assumes no responsibility for the conversion of this standard to other formats or for incorrect results or damages resulting from its use.

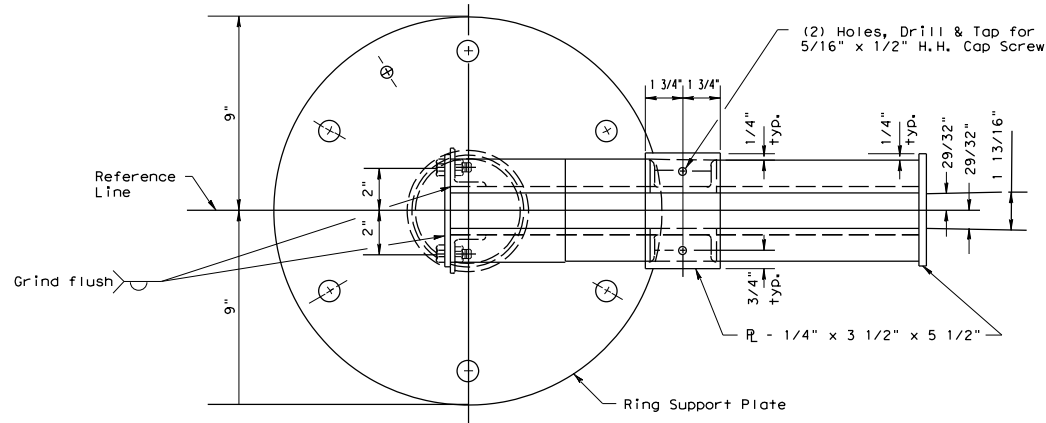
DATE: 2/7/2024 9:48:48 AM
 FILE: K:\01509\01509-0027-10 TxDOT AMA PS&E_IH_40\TRAFFIC\SWA1\Standards\hmid-03.dgn



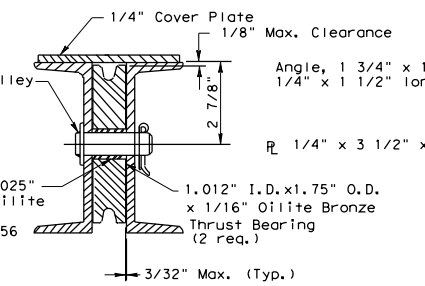
PLAN VIEW



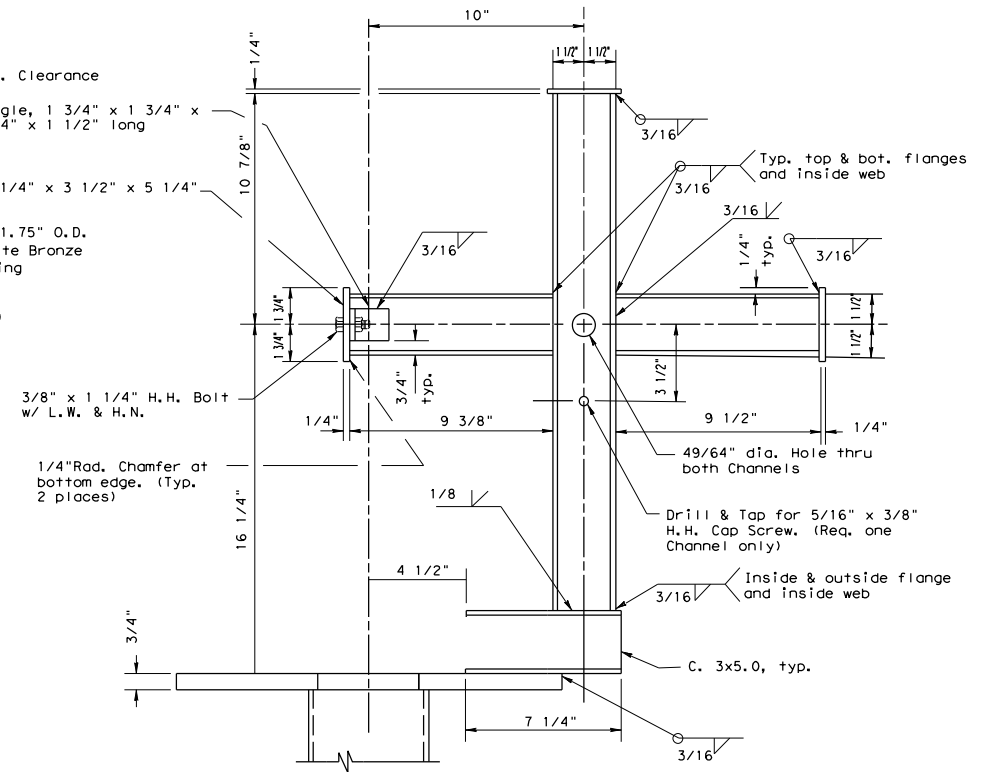
DETAIL "G"
 TOP PLATE CONNECTION
 (LESS ELECT. CABLE PULLEY SUPPORT)
 (SEE DETAIL "L")



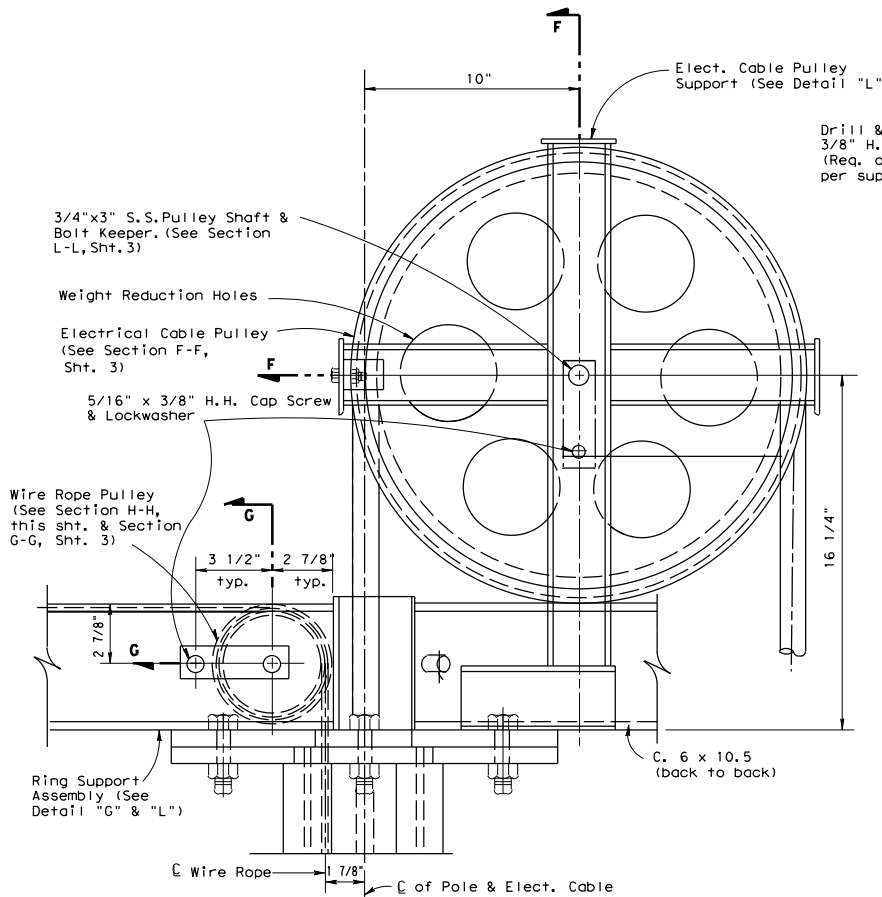
PLAN VIEW



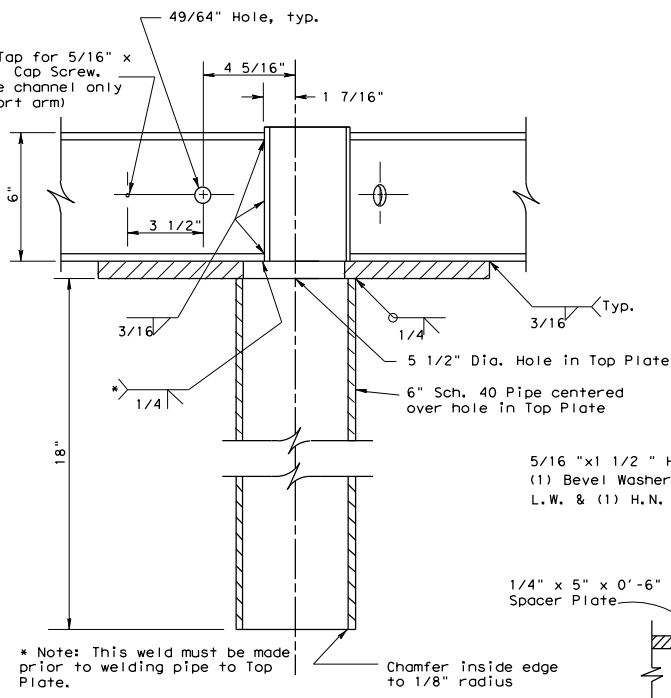
SECTION "H-H"
 PULLEY MOUNTING FOR
 RING SUPPORT ARMS



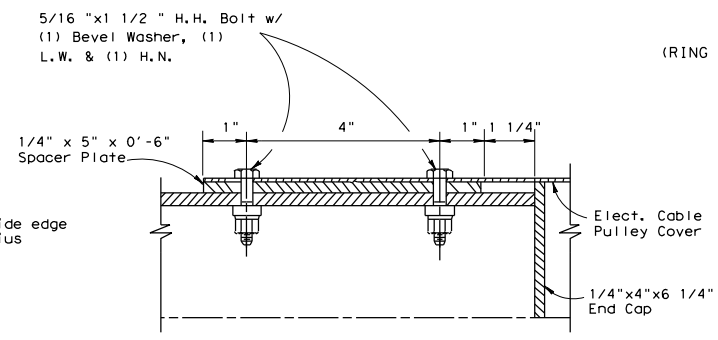
DETAIL "L"
 ELECT. CABLE PULLEY SUPPORT
 (RING SUPPORT ARMS NOT SHOWN FOR CLARITY)



DETAIL "F"
 RING SUPPORT ASSEMBLY
 (NEAR SIDE SUPPORT ARM & ELECT. CABLE
 PULLEY COVER NOT SHOWN FOR CLARITY)



SECTION "E - E"



DETAIL "N"

Texas Department of Transportation
 Traffic Operations Division

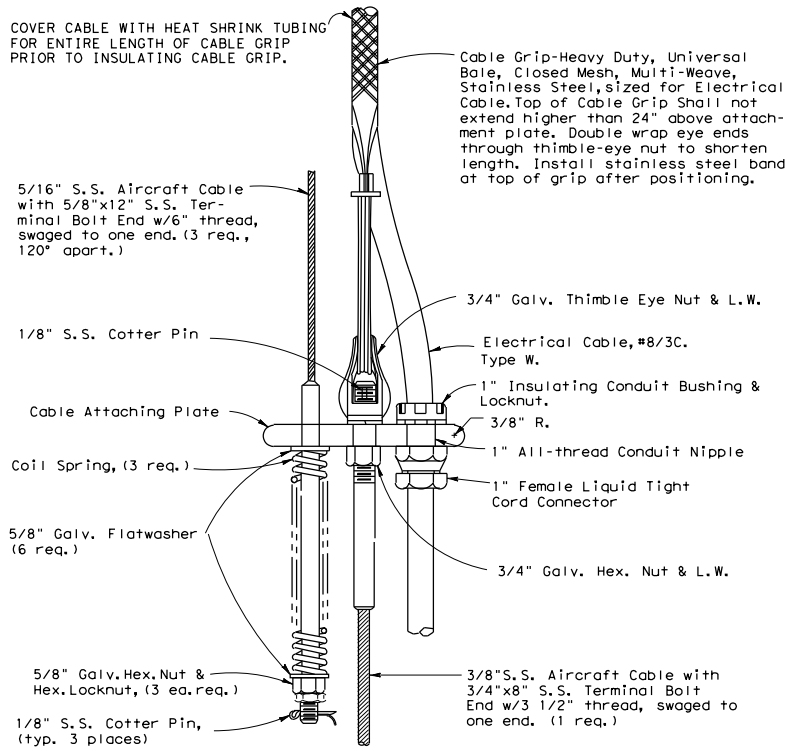
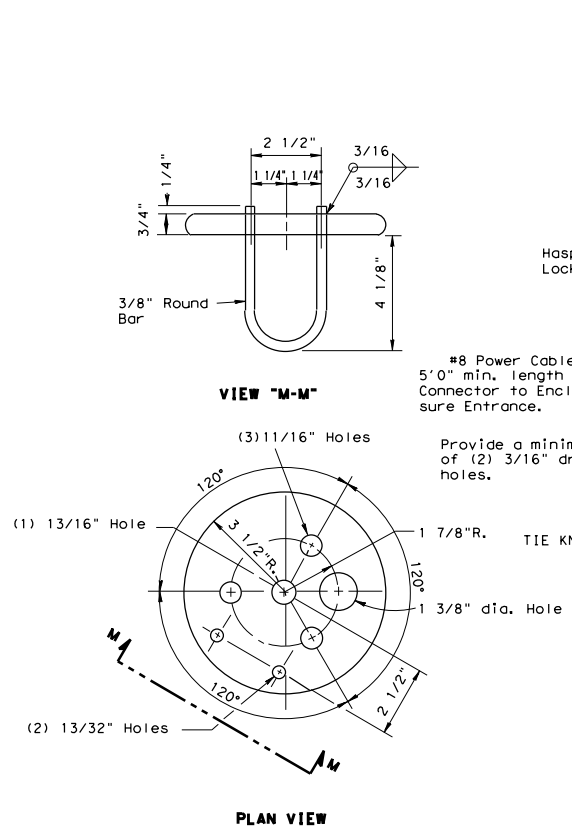
HIGH MAST
 ILLUMINATION
 DETAILS

HMID (2) -03

© TxDOT January 1986		DN: TxDOT	CK: TxDOT	DW: TxDOT	CK: TxDOT
4-86	REVISIONS	CONT	SECT	JOB	HIGHWAY
5-86	4-96	0275	01	244	IH 40
5-87		DIST	COUNTY		SHEET NO.
12-87		AMA	POTTER		118

DISCLAIMER: The use of this standard is governed by the "Texas Engineering Practice Act". No warranty of any kind is made by TxDOT for any purpose whatsoever. TxDOT assumes no responsibility for the conversion of this standard to other formats or for incorrect results or damages resulting from its use.

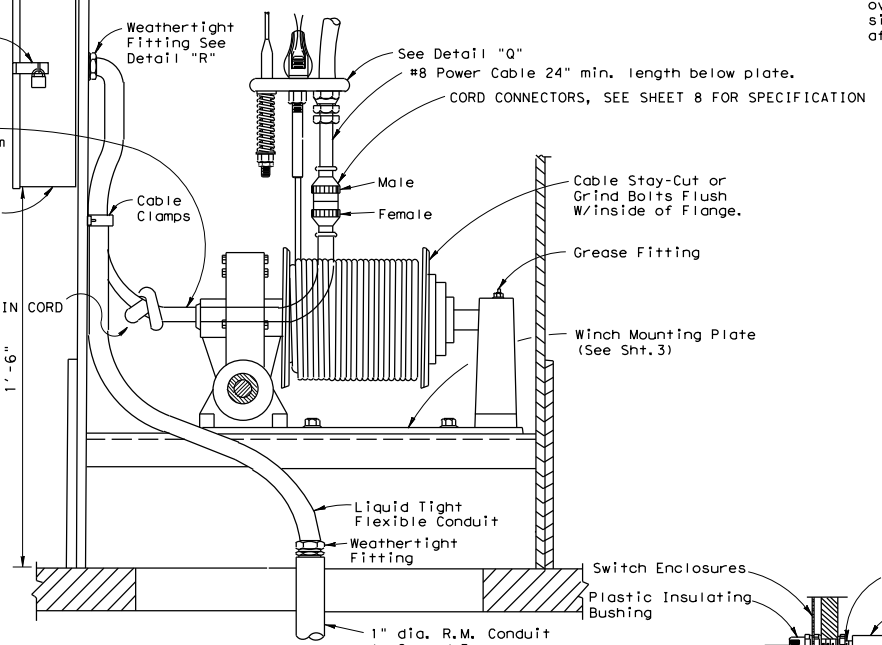
DATE: 2/7/2024 9:48:49 AM
 FILE: K:\01509\01509-0027-10 TxDOT AMA PS&E_IH_40\TRAFFIC\SWA1\Standards\hmid-03.dgn



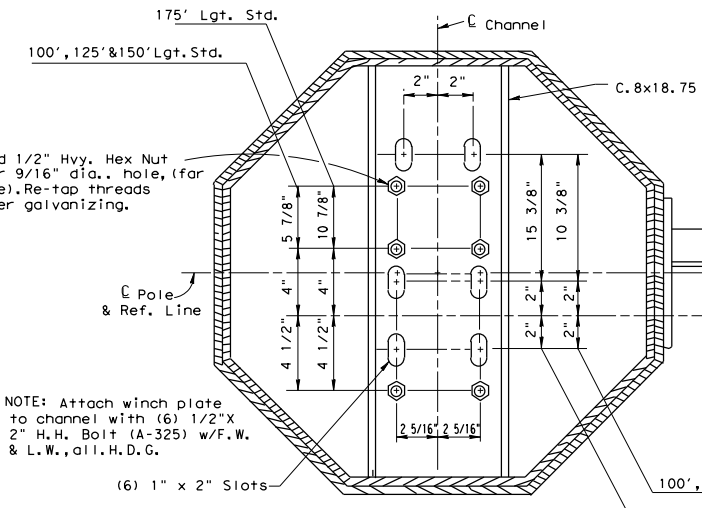
NOTE: 3/8" Cable for this Project shall be 19x7 Rotation Resistant per Sheet 9.

DETAIL "Q"
 (CABLE ATTACHING PLATE)

50 A 480V. Circuit Breaker, NEMA 4 for total lamp watts exceeding 9000, 30A, 480V. Circuit Breaker, NEMA 4 for 9000 or less total lamp watts. Enclosure shall be stainless steel, 14 ga., weatherproof with full length vertical door hinge, welded hasp, lock and two sets of keys. Hinge pin shall be tack-welded to prevent removal. Lock (Master # 2195) and keys shall be furnished by the contractor and shall be the same type as used for the service enclosures. Enclosure dimensions shall be approx. 20" high x 9" wide x 5" deep. Attach enclosure with (4) 1/4" S.S. Bolts & Nuts w/ 1/4" Spacers Breakers are to be mounted on a dielectric mounting board or high voltage insulating paper.



SECTION J-J
 (WINCH ASSEMBLY)



DETAIL "P"
 (WINCH MOUNTING CHANNEL)
 Dimensions may vary-Verify with winch manufacturer.

NOTE:
 The drive train of the Power Drive Assembly between the driving motor and the winch shall be within two degrees of perfect alignment.

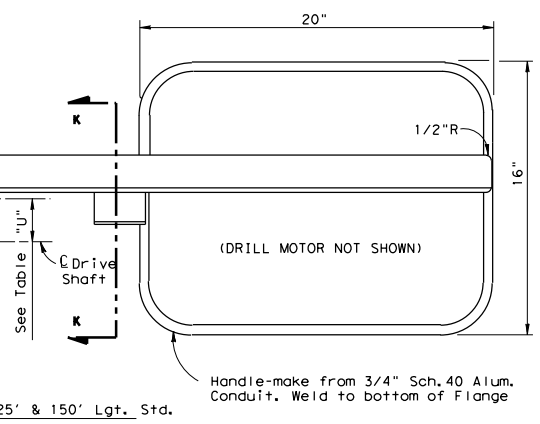
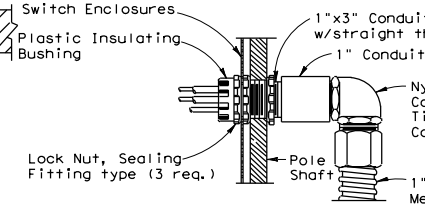
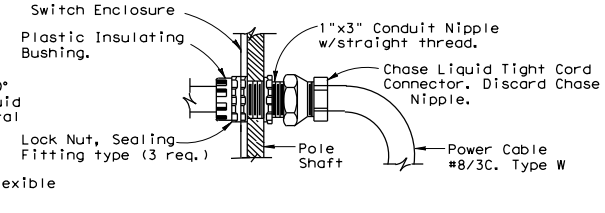


TABLE OF "U" DIMENSIONS

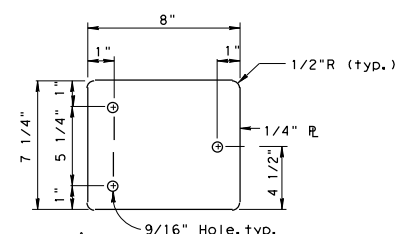
Pole Ht. Ft.	8 Sided 80 MPH	8 Sided 100 MPH	12 Sided 80 MPH	12 Sided 100 MPH
100	3 1/2"	3 1/2"	2 1/2"	2 1/2"
125	3 1/2"	3 1/2"	2 1/2"	2 1/2"
150	3 1/2"	3 1/2"	2 1/2"	2 1/2"
175	4 1/2"	4 1/2"	3 1/2"	3 1/2"



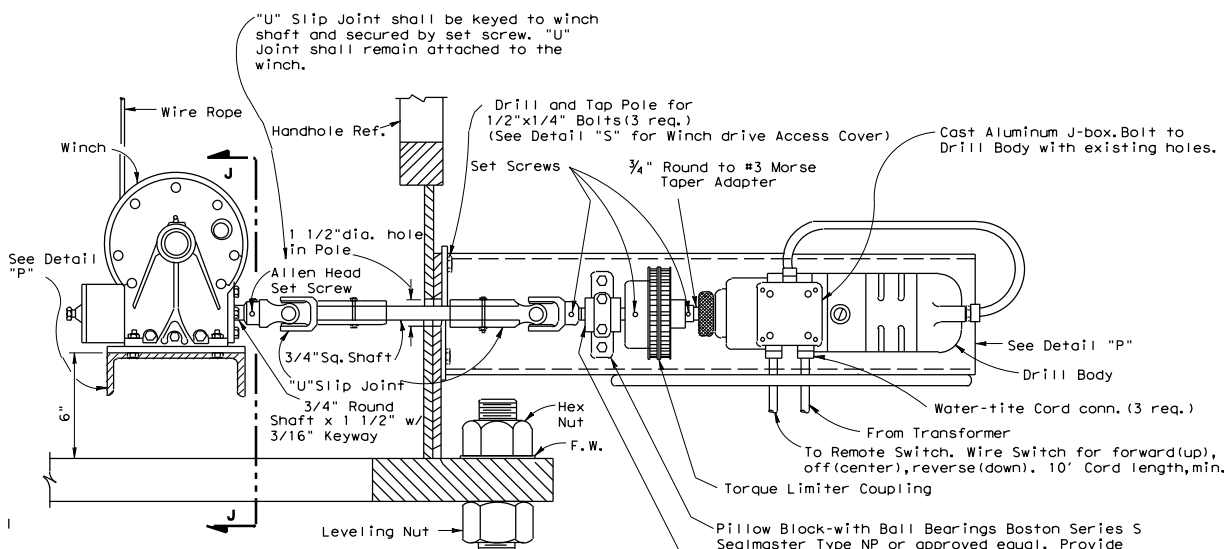
(POWER FEED FROM GROUND BOX)



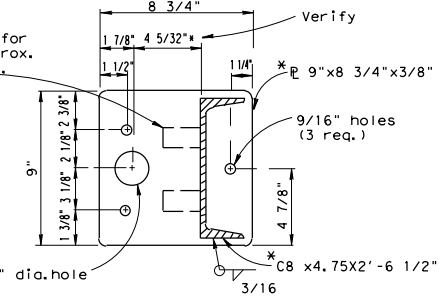
(POWER OUT TO LIGHT RING)



DETAIL "S"
 (WINCH DRIVE ACCESS COVER)



POWER DRIVE ASSEMBLY



SECTION K-K
 (DRILL MOTOR MOUNTING PLATE)
 * Make from 6061-T6 Aluminum

Texas Department of Transportation
 Traffic Operations Division

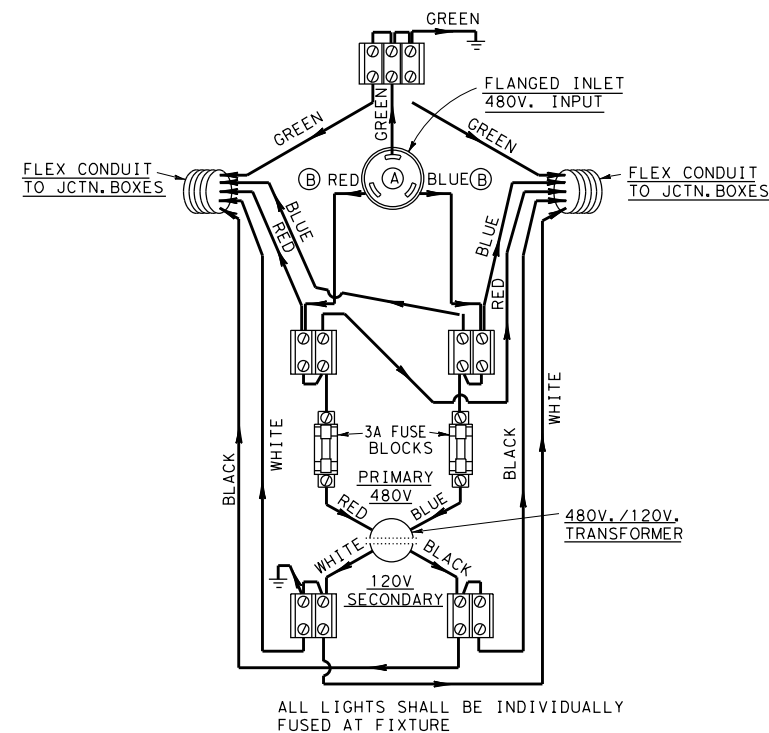
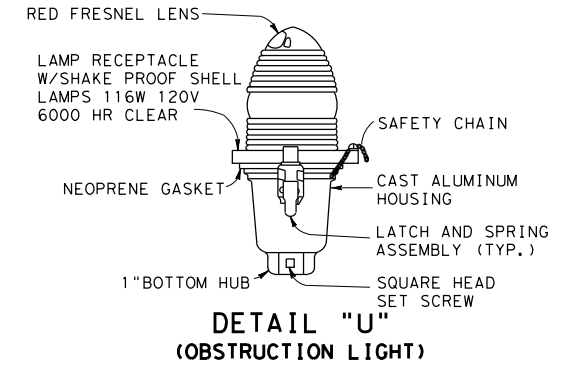
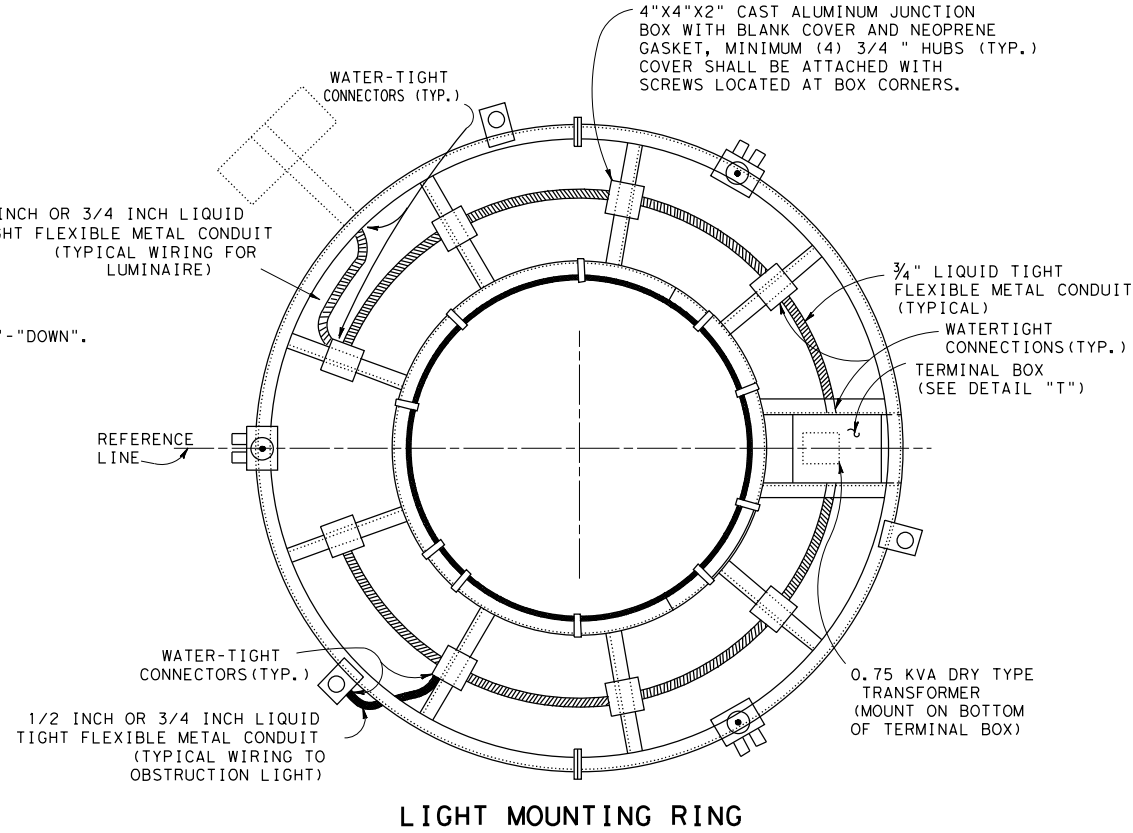
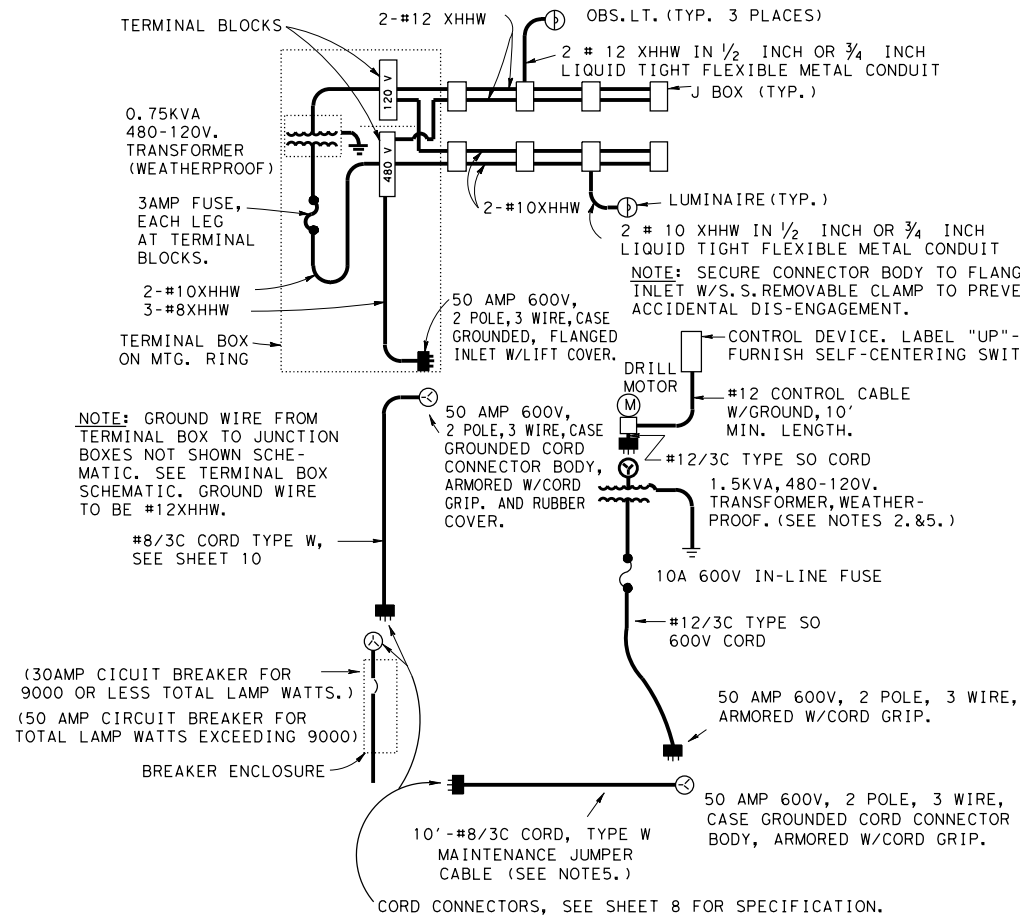
HIGH MAST ILLUMINATION DETAILS

HMID (4) -03

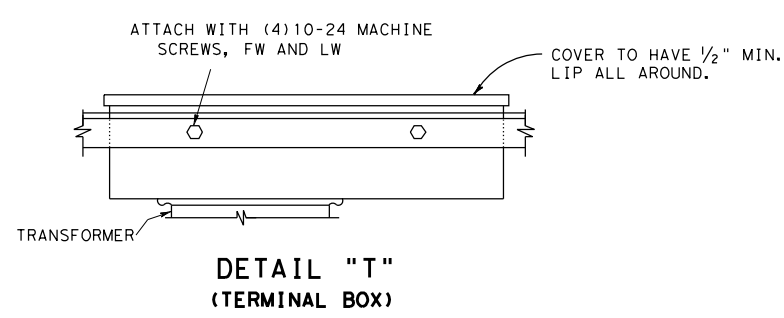
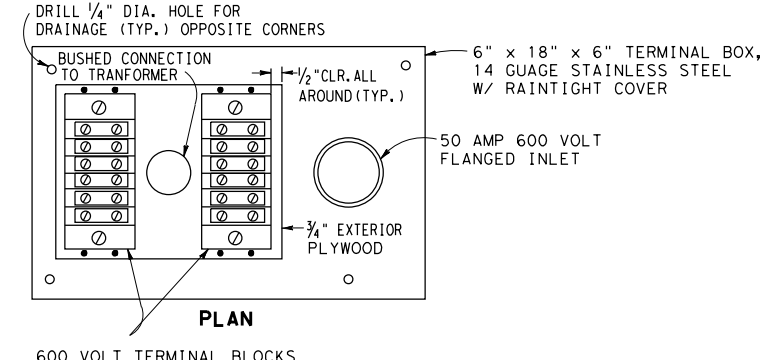
© TxDOT January 1986		DN: TxDOT	CK: TxDOT	DW: TxDOT	CK: TxDOT
4-86	REVISIONS	CONT	SECT	JOB	HIGHWAY
5-86	12-87	0275	01	244	IH 40
12-3-86	4-89	DIST	COUNTY	SHEET NO.	
12-8-86	10-93	AMA	POTTER	120	

The use of this standard is governed by the "Texas Engineering Practice Act". No warranty of any kind is made by TxDOT for any purpose whatsoever. TxDOT assumes no responsibility for the conversion of this standard to other formats or for incorrect results or damages resulting from its use.

DISCLAIMER: DATE: 2/7/2024 9:48:49 AM FILE: K:\01509\01509-0027-10 TxDOT AMA PS&E IH 40\TRAFFIC\SWA1\Standards\mim-d-03.dgn



- NOTES:
- OBSTRUCTION LIGHTS COLOR CODE: FROM SECONDARY SIDE OF TRANSFORMER THROUGH-OUT-CIRCUIT TO SOCKET, WHITE-NEUTRAL, BLACK-LOAD.
 - POWER SUPPLY CORD TO FLANGED INLET: GREEN-GROUND, WHITE LINE, BLACK LINE. FROM FLANGED INLET (A) TO TERMINAL BLOCKS: GREEN-GROUND, RED LINE, BLUE-LINE. FROM THERE ON ALL 480V. CIRCUIT WIRES TO BE RED AND BLUE TO JUNCTION BOXES.
 - WIRE SIZE FROM POWER SUPPLY TO TERMINAL BLOCKS SHALL BE #8 AWG-SEE (B).
 - WIRE SIZE FROM TERMINAL BLOCKS TO JUNCTION BOXES SHALL BE #12 AWG.
 - MOUNT TERMINAL BLOCKS ON 3/4" EXTERIOR GRADE PLYWOOD.
 - FOR 2-WIRE, 480V. SERVICE, OMIT FUSE IN GROUNDED CONDUCTOR IN LEADS TO TRANSFORMER.



- NOTES:
- PLUGS, CONNECTOR BODIES AND FLANGED INLETS AT CORD TO RING CONNECTION SHALL BE "TWIST LOCK" TYPE, 3-PRONG, RATED 50 AMPS AT 600V, AND 20 AMPS FOR 120 V. 50 AMP CONNECTORS SHALL BE 3 WIRE CASE GROUNDED, ARMORED, WITH CORD GRIP, 20 AMP CONNECTOR SHALL BE 3 WIRE GROUNDING WITH CORD GRIP, NEMA TYPE L5-20.
 - PROVIDE HANDLE ON 1.5KVA TRANSFORMER FOR PORTABILITY. (SEE ONE-LINE SCHEMATIC)
 - CIRCUIT BREAKERS SHALL BE ITE #E43B030 OR #E43B050, SQUARE "D" #FAL24030 S/N OR #FAL24050 S/N, OR EQUAL.
 - CONDUIT ENTRIES INTO TERMINAL BOX SHALL BE INTO THE SIDE OF THE BOX.
 - A MINIMUM OF ONE (1) MAINTENANCE JUMPER CABLE SHALL BE SUPPLIED FOR EACH PROJECT. SUPPLY ONE (1) PORTABLE TRANSFORMER FOR EACH POWER DRIVE UNIT REQUIRED FOR PROJECT.

Texas Department of Transportation

 Traffic Operations Division

HIGH MAST ILLUMINATION DETAILS

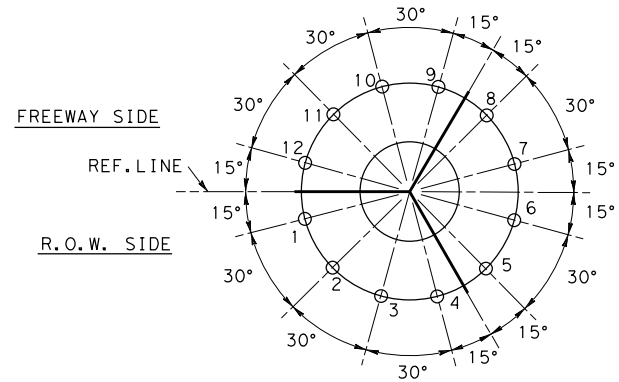
HMID (5) -03

© TxDOT January 1986		DN: TxDOT	CK: TxDOT	DW: TxDOT	CK: TxDOT
6-87	REVISIONS	CONT	SECT	JOB	HIGHWAY
11-87	4-96	0275	01	244	IH 40
10-88		DIST	COUNTY		SHEET NO.
10-93		AMA	POTTER		121

76E

DISCLAIMER: The use of this standard is governed by the "Texas Engineering Practice Act". No warranty of any kind is made by TxDOT for any purpose whatsoever. TxDOT assumes no responsibility for the conversion of this standard to other formats or for incorrect results or damages resulting from its use.

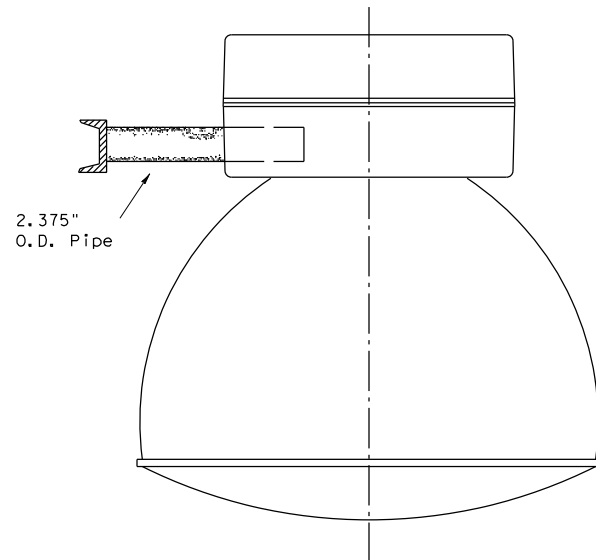
DATE: 2/7/2024 9:48:49 AM
 FILE: K:\01509\01509-0027-10 TxDOT AMA PS&E IH 40\TRAFFIC\SWA1\Standards\hmid-03.dgn



12-LIGHT SETTING

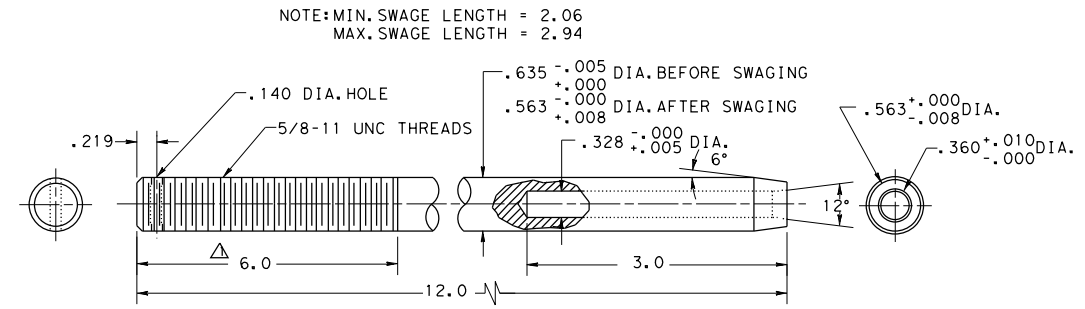
LUMINAIRE LOCATIONS

NOTE: AIRCRAFT OBSTRUCTION LIGHT LOCATIONS NOT SHOWN. THREE ARE REQUIRED LOCATED APPROX. 120° APART. LOCATIONS WILL VARY DEPENDENT ON THE LIGHT SETTING USED.



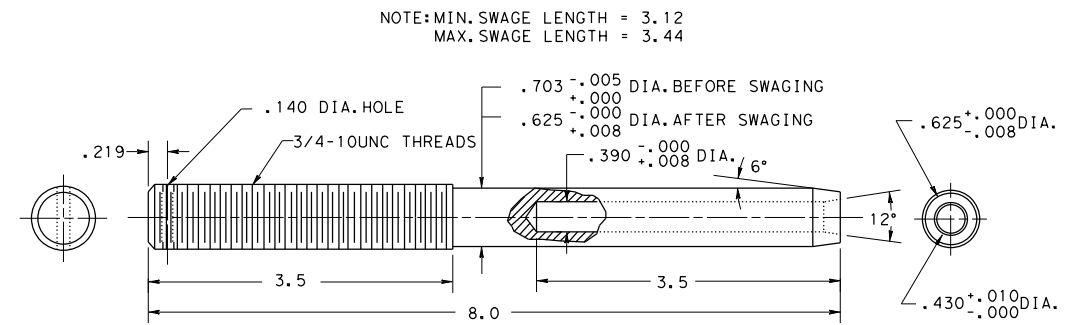
**AREALIGHT MOUNTING ASSEMBLY
(SYMMETRIC AND ASYMMETRIC)**

NOTES: IF ASYMMETRIC FIXTURES ARE USED, THE REFRACTORS SHALL BE ORIENTED TO PROPERLY ILLUMINATE THE ADJACENT ROADWAYS. ORIENTATION SHALL BE AS SHOWN IN PLANS.



NOTE: MIN. SWAGE LENGTH = 2.06
MAX. SWAGE LENGTH = 2.94

TERMINAL FOR 3/8" WIRE ROPE
MATERIAL: STAINLESS STEEL, TYPE 303SE OR 304
WITH 115,000 P. S. I. MAX. ULTIMATE TENSILE STRENGTH.



NOTE: MIN. SWAGE LENGTH = 3.12
MAX. SWAGE LENGTH = 3.44

TERMINAL FOR 3/8" WIRE ROPE
MATERIAL: STAINLESS STEEL, TYPE 303SE OR 304
WITH 115,000 P. S. I. MAX. ULTIMATE TENSILE STRENGTH.

GENERAL NOTES:

1. AFTER FINAL AIMING HAS BEEN COMPLETED AND APPROVED BY THE ENGINEER, FIXTURES MUST BE LOCKED IN POSITION. CONTRACTOR MUST SUBMIT PROPOSED LOCKING SCHEME WITH THE FIXTURE SUBMITTAL. (FLOODLIGHTS ONLY).

3/03 Revision
 Removed obsolete diagrams and updated drawings.



**HIGH MAST
ILLUMINATION
DETAILS**

HMID (6) -03

© TxDOT January 1986		DN: TxDOT	CK: TxDOT	DW: TxDOT	CK: TxDOT
10-93	REVISIONS	CONT	SECT	JOB	HIGHWAY
10-95		0275	01	244	IH 40
4-96		DIST	COUNTY		SHEET NO.
3-03		AMA	POTTER		122

The use of this standard is governed by the "Texas Engineering Practice Act". No warranty of any kind is made by TxDOT for any purpose whatsoever. TxDOT assumes no responsibility for the conversion of this standard to other formats or for incorrect results or damages resulting from its use.

DISCLAIMER: DATE: 2/7/2024 9:48:49 AM FILE: K:\01509\01509-0027-10 TxDOT AMA PS&E IH 40\TRAFFIC\SWA1\Standards\hmid-03.dgn



1. AREA LIGHTING (Bid under Item 614, "High Mast Illumination Assemblies")

A. Area lighting shall be symmetric or asymmetric, as shown on the descriptive code. The number and wattage of the fixtures on each pole shall be as shown on the lighting layouts. The lighting pattern for symmetric fixtures shall be IES Type V; for asymmetric fixtures, it shall be IES Type II, III, or IV.

B. All luminaires shall be pre-qualified before installation. A sample of each type of luminaire to be considered for pre-qualification shall be submitted to TxDOT's Traffic Operations Division - Traffic Engineering Section (TRF-TE).

Traffic Operations Division - TE
 Texas Department of Transportation
 125 East 11th Street
 Austin, TX 78701-2483

Sample luminaires are non-returnable. A list of pre-qualified luminaires may be obtained by contacting TRF-TE. In addition, luminaires will be sampled and tested in accordance with Item 614. Luminaires that inconsistently pass testing or that are inconsistent with published photometric information will be removed from the pre-qualified list at the discretion of the Engineer. Once a fixture has been approved, no changes shall be made in any material or manufacturing methods without prior approval of the Department. Unapproved changes will result in rejection of all fixtures.

C. Symmetric and Asymmetric fixtures shall meet the following requirements unless otherwise approved by the Engineer:

1. Luminaire Construction

a) The luminaire housing shall be formed, cast or drawn from low copper aluminum and shall be free of cracks and excessive porosity. Formed aluminum shall have a minimum thickness of 0.090, and shall have all seams welded. The minimum thickness of cast parts shall be as approved by the Engineer. Nuts, screws, and washers shall be made of Type 316 stainless steel. The housing shall be marked with minimum 2" letters to indicate the photometric type as being either A, B, C, or S as specified. Marking shall be permanent and shall be by stencil or stick on labels similar to "wattage" label on cobra heads. Wattage label will not be required on high mast fixtures. The fixture housing shall be constructed separate from the fixture reflector.

b) Fixtures shall be natural aluminum in color or shall be painted gray.

c) The slipfitter shall securely attach the luminaire to the tenon on the ring assembly with a minimum of 2 bolts and clamp. A positive means of vertical adjustment shall be provided.

d) For optical assemblies with lenses, reflectors shall be polished aluminum with Alzak or equal coating and shall not be painted. The optic assembly shall be sealed. The lens shall be tempered glass or prismatic glass, either flat or sag. The optic assembly shall be provided with a resilient seamless or sonically welded silicone rubber gasket, and constructed so that a positive seal against weather and other contaminants will be maintained. The latches shall be stainless steel, spring loaded, and hand operated (2 latches minimum, 3 attachment points), and shall provide a positive means of maintaining closure of the luminaire.

e) For optical assemblies without lenses, optical assembly shall consist of an open ventilated borosilicate glass reflector. The reflecting prisms shall be protected from dirt depreciation by a spun on hermetically sealed aluminum cover. There shall be no glass lens/refractor on this optical assembly.

f) Asymmetric fixtures shall have field rotatable optics with accurate degree of rotation markings. Reflector shall have "house side" and "street side" markings.

g) The socket shell shall be nickel plated and shall be rigidly attached to a high grade porcelain mogul base, which shall extend and enclose the metal shell. A locking means shall be incorporated in the shell of the socket to positively resist the removal of the lamp. This locking means shall be a spring loaded center tip. Lamp socket shall be non-adjustable and shall be riveted, welded, or otherwise permanently installed. Lamps shall be held securely in the proper position with a lamp support.

h) The terminal block shall use nickel plated brass connectors.

i) Fixture weight including ballast shall not exceed 80 pounds, and effective projected area (EPA) shall not exceed 2.62 square feet.

j) The Contractor may be responsible for fixture testing costs. See TxDOT's "Manual of Testing Procedures," Chapter 11 - "Traffic Systems and Illumination," TEX-1110-T - "Sampling Lighting Assemblies," at <http://manuals.dot.state.tx.us/dynaweb/>.

2. Photometrics

a) The Contractor shall submit a computer generated light level array of the area to be lighted by high mast poles. All computer generated arrays shall have 400 watt fixtures derated to 40,000 lumens per lamp.

b) The Type "A" 400 watt asymmetric fixture shall be IES cutoff. The Department will use the measured photometric data of sampled fixtures to run the following tests on a computer simulation:

(1) When mounted in the level position, 50 ft. above the midpoint and 20 ft outside of either long side of a rectangular area measuring 340 ft. by 50 ft., the fixture shall pass the following tests:

- (a) The fixture shall provide a measured minimum intensity of 0.15 horizontal foot-candles at any point on the surface of this area.
- (b) The fixture shall provide a measured maximum to minimum light ratio, based on horizontal foot-candles, of less than 25.
- (c) The fixture shall provide an average measured intensity of 0.6 horizontal foot-candles on the surface area.

(2) When mounted in the level position, 50 ft. above the midpoint and 20 ft outside of either long side of a rectangular area measuring 260 ft. by 30 ft., the fixture shall provide a measured minimum intensity of 0.30 horizontal foot-candles at any point on the surface of this area.

c) The Type "B" 400 watt asymmetric fixture shall be IES cutoff. The Department will use the measured photometric data of sampled fixtures to run the following tests on a computer simulation:

(1) When mounted in the level position, 50 ft. above the midpoint and 20 ft outside of either long side of a rectangular area measuring 260 ft. by 65 ft., the fixture shall pass the following tests:

- (a) The fixture shall provide a measured minimum intensity of 0.15 horizontal foot-candles at any point on the surface of this area.
- (b) The fixture shall provide a measured maximum to minimum light ratio, based on horizontal foot-candles, of less than 25.
- (c) The fixture shall provide an average measured intensity of 0.6 horizontal foot-candles on the surface area.

(2) When mounted in the level position, 50 ft. above the midpoint and 20 ft outside of either long side of a rectangular area measuring 200 ft. by 40 ft., the fixture shall provide a measured minimum intensity of 0.30 horizontal foot-candles at any point on the surface of this area.

d) The Type "C" 400 watt asymmetric fixture shall be IES cutoff. The Department will use the measured photometric data of sampled fixtures to run the following tests on a computer simulation:

(1) When mounted in the level position, 50 ft. above the midpoint and 20 ft. outside of either long side of a rectangular area measuring 220 ft. by 80 ft., the fixture shall pass the following tests:

- (a) The fixture shall provide a measured minimum intensity of 0.15 horizontal foot-candles at any point on the surface of this area.
- (b) The fixture shall provide a measured maximum to minimum light ratio, based on horizontal foot-candles, of less than 25.
- (c) The fixture shall provide an average measured intensity of 0.6 horizontal foot-candles on the surface area.

(2) When mounted in the level position, 50 ft. above the midpoint and 20 ft. outside of either long side of a rectangular area measuring 160 ft. by 50 ft., the fixture shall provide a measured minimum intensity of 0.30 horizontal foot-candles at any point on the surface of this area.

e) The Type "S" 400 watt Symmetric fixture shall be IES cutoff. The Department will use the measured photometric data of sampled fixtures to run the following tests on a computer simulation:

(1) When mounted in the level position at 50 foot mounting height, the fixture shall provide the minimum light levels as shown below:

- (a) 0.15 horizontal foot-candles within a 130 foot radius.
- (b) 0.30 horizontal foot-candles within a 100 foot radius.
- (c) 0.50 horizontal foot-candles within a 60 foot radius.

3. Ballasts

a) All ballasts shall be isolated-winding lag-type magnetic regulators designed to operate 400 watt high pressure sodium lamps rated 480 volts. Ballasts shall be capable of starting lamps at an ambient temperature of -20 degrees F. Ballast wiring shall include a grounding terminal bonded to metal housing. Ballasts shall be fused with a 5 amp time-delay fuse in an insulated fuse holder. Fuse holders shall be internal to the housing. Ballast wiring to the terminal board shall be through a quick-disconnect plug. Windings shall be made from copper wire.

b) When the circuit voltage indicated on the plans is applied, the ballast input wattage during fluctuations of the test voltage of +10% and -10% shall not exceed 552 watts for a 400 watt HPS lamp.

3/03 Revision
 Revised Area Lighting Requirements



HIGH MAST ILLUMINATION DETAILS

HMID (7) -03

© TxDOT January 1986		DN: TxDOT	CK: TxDOT	DW: TxDOT	CK: TxDOT
9-91	REVISIONS	CONT	SECT	JOB	HIGHWAY
10-93		0275	01	244	IH 40
4-96		DIST		COUNTY	SHEET NO.
3-03		AMA		POTTER	123

The use of this standard is governed by the "Texas Engineering Practice Act". No warranty of any kind is made by TxDOT for any purpose whatsoever. TxDOT assumes no responsibility for the conversion of this standard to other formats or for incorrect results or damages resulting from its use.

DISCLAIMER: The use of this standard is governed by the "Texas Engineering Practice Act". No warranty of any kind is made by TxDOT for any purpose whatsoever. TxDOT assumes no responsibility for the conversion of this standard to other formats or for incorrect results or damages resulting from its use.

- c) During fluctuation of the line voltage of +10% or -10%, the lamp wattage fluctuation shall not exceed a total of 20%. Ballast shall maintain lamp wattage between 280 and 475 watts for a 400 watt HPS lamp.
- d) The power factor of any ballast when tested at the circuit voltage indicated in the plans shall not be less than 90% at any point in life. Ballast factor shall be between .95 and 1.0.
- e) The electronic starting aid shall provide a starting pulse with an amplitude of 2500 volts minimum, 4000 volts maximum. The pulse width shall be a minimum of 0.8 microseconds at 2250 volts. The pulse shall occur when the open-circuit voltage is equal to or greater than 90 percent of peak open-circuit voltage. Pulse repetition rate shall be a minimum of one per cycle and pulse current shall be a minimum of 0.18 amperes. Electronic starting aids shall be replaceable without the use of tools. The starting aid shall discontinue to pulse when the lamp starts. Starter shall sense an inoperative or missing HPS lamp and automatically shut down luminaire to protect ballast after 10 minutes.
- f) Ballasts shall permanently and clearly indicate the following: lamp type, catalog number, voltage rating, connection diagram, and manufacturer. Capacitors in all luminaires shall be non-PCB type.

4. Lamps

- a) All lamps shall be new and of recent manufacture.
- b) Lamps shall be high pressure sodium and shall meet ANSI C78 requirements. Lamps shall be the type that extinguish at the end of usable lamp life and remain extinguished without cycling. 400 watt lamps shall contain less than 4.0 mg of mercury. Lamps shall be lead free and shall pass the Federal Toxic Characteristic Leachate Procedure (TCLP). Lamp shall be Osram-Sylvania LU400/Eco Plus. No alternatives will be approved.
- c) 400 watt high pressure sodium lamps shall have average initial lumens of 50000 and average rated life of 24000 hours.

2. GENERAL

- A. All material shall be in accordance with the applicable sections of the NEC. All conduit and conductors shall be in accordance with the materials and construction methods requirements of Items 618 and 620. Heat shrink tubing for use with cable grips and cable splicing shall meet the requirements of Item 620.
- B. Where stainless steel bands are called for on the HMID sheets, stainless steel hose clamps may be provided. Stainless steel bands and stainless steel hose clamps shall be provided with stainless steel clips or stainless steel screws.
- C. Obstruction Lights
 - 1. When obstruction lights are required by layout sheets, summary sheets or general notes, the entire high mast assembly shall be controlled by an FAA approved photocell mounted inside the service enclosure. Ring mounted luminaires shall be controlled by up to 4 additional ring mounted photocells, with each photocell controlling up to 3 fixtures. Photocells shall meet the following requirements:
 - a) All photocells shall consist of a photoelectric cell, an internal lightning arrester, and a relay or bimetallic switch mounted inside a weather proof enclosure with standard 3-prong twist lock photocell plug and receptacle. The enclosure shall be made of poly-acrylic with clear acrylic window. Enclosure chassis shall be molded thermosetting plastic. The photocell shall have an arrester rated 2.0kV sparkover with 5000 amps follow-through. Relay or switch shall be time delay type with normally closed contacts. Photocell shall be rated a minimum of 1800 VA.
 - b) Service enclosure mounted photocell (FAA photocell) shall turn on at light levels below 35 foot-candles and off at levels above 58 foot-candles, in accordance with FAA requirements. This photocell shall be rated for operation at 240 volts. A permanent placard shall be installed on the inside of the service enclosure door to indicate that an FAA approved photocell is required.
 - c) High mast assembly ring mounted photocells (one foot-candle photocells) shall turn on at light levels below 1.0 (plus or minus 0.5) foot-candle, and shall turn off at 2 foot-candles higher than this level. These photocells shall be rated for operation at 480 volts. Photocells shall be mounted upright on the terminal box or on various junction boxes around the ring as approved by the Engineer. Conduit entries shall not be made into the top of the terminal box or junction boxes. The Contractor shall submit mounting details to the Engineer for approval.
 - 2. When obstruction lights are not required, eliminate the 3 obstruction light fixtures, 3 mounting posts, 480/120 volt transformer, 120 volt wiring, and 3 mounting post support connections shown on detail "E", sheet 1.
- D. The male cord connector on the lower end of the Type W cord running up the pole, the female cord connector for the Type W cord running to the circuit breaker enclosure and the male connector on the maintenance jumper shall meet the following or approved equal specifications:
 - 1. Arrow Hart pin and sleeve watertight connectors UL listed, catalog numbers AH330C7W and AH330P6W.
 - 2. Bryant watertight pin and sleeve connectors UL listed, catalog numbers 330C6W and 330P6W.

- 3. Hubble pin and sleeve connectors UL listed, catalog numbers HBL330C7W and HBL 330P7W.
- 4. The male connector for use with the Type W maintenance jumper shall be a pin and sleeve connector of one of the above types. The Contractor shall attach a 50 amp twist lock receptacle to the opposite end of the maintenance jumper to match the flange mounted plug on the ring and the portable transformer.
- 5. The Contractor shall make a brochure submittal on the cord connectors.
- E. When shown on the plans, spill light shall be restricted to less than 0.15 horizontal footcandles.
- F. The Contractor shall provide shop drawings for high mast illumination assemblies in accordance with this Item and Item 441. An Engineer licensed in the State of Texas shall seal the shop drawings.

3. TESTING

- A. Fixtures, lamps and ballasts will be sampled and tested in accordance with the Department "Manual of Testing Procedures" except as noted in these specifications.
- B. Ballasts and fixtures will be tested using a reference lamp.
- C. The Department will bear the cost of all testing of equipment that complies with the specification requirements. However, the source of supply of fixtures and ballasts must be approved as required in Article 6.1 of the Standard Specifications. Such approval will be contingent on the supplier agreeing to bear the cost of testing any equipment that fails to comply with the specification requirements listed in this specification.
- D. All other equipment will be tested in accordance with Item 614 of the Standard Specifications and Materials and Test Division Test Standards.
- E. After High Mast Assembly has been completely assembled, the Engineer may require Contractor to fully lower and raise each high mast ring one time to demonstrate proper operation of the lowering mechanism, or may require the ring to be lowered for ring or fixture inspection. If any malfunction occurs, the problem shall be corrected at the Contractor's expense and the lowering test will be repeated.

4. MOUNTING RING AND SUPPORT ASSEMBLY

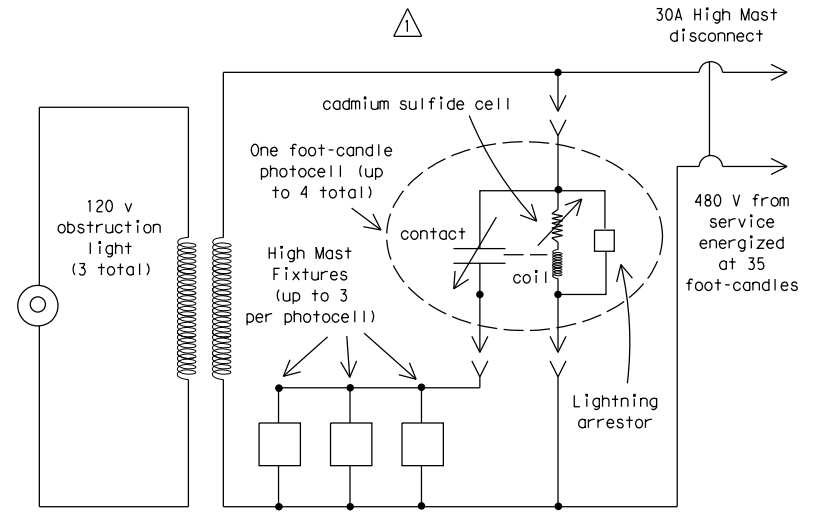
- A. Ring and support assembly shall be fabricated from steel having a minimum yield strength of 36 KSI.
- B. Cover assemblies, fittings and miscellaneous parts shall be as outlined on the plans.
- C. All hardware shall be hot-dipped galvanized per ASTM A153 or shall be stainless steel, unless noted otherwise on the plans.

5. WINCH

- A. Housing shall be high tensile strength die-cast silicon aluminum. Cable drum shall be fabricated from seamless steel tubing with stamped steel flanges and shall be hot-dipped galvanized. Drum shall have a minimum diameter of 4.5 inches. Drum shall be keyed to drum shaft. Drum and flanges shall be sized so that, when the fixture mounting ring is in the raised position, the cable including one full layer will fill the drum to no more than two-thirds of full capacity. Drum shaft shall be ground from stainless steel and mounted on lubricated bronze bearings with seals. Wormgear shall be made of nickel-bronze and worm shaft shall be high-strength stress-proofed steel, ground and polished and supported by tapered roller bearings.
- B. Gear ratio shall be 36:1 with safe hoisting capacity of not less than 4000 pounds.
- C. Winch shall incorporate adjustable automatic brake to assure positive load suspension. Brake shall be multiple disc with friction plates running in oil bath and one-direction clutch which operates only when load is suspended or lowered. Winch shall not have throw-out clutch.
- D. Any winch that is operated without oil shall be considered damaged and shall be replaced by the contractor at the contractor's expense.

6. WIRE ROPE AND TERMINALS

- A. 5/16 and 3/8 wire rope shall be 19x7 Rotation Resistant IWRC stainless steel. 19x7 rotation resistant wire rope shall meet the construction requirements of Fed. Spec. RR-W-410D, Type IV, class 2, modified for stainless steel with a nominal breaking strength of 11,100 lbs. All wire rope shall be pre-formed and factory lubricated. Wire rope shall meet the requirements of the applicable specification except where modified by this specification. Quality Assurance testing shall be the responsibility of the manufacturer and shall meet recognized wire rope industry standards. No special tensile or torsion testing will be required. Mill Test Reports shall be furnished.
- B. Winch cable shall be of sufficient length to leave a minimum of one full layer of cable on the drum when the fixture mounting ring is in the full down position.
- C. Wire rope terminals shall be stainless steel, solid stud type as shown on Sheet 7. All terminals shall be drilled for cotter pin. Material to be 303 SE or 304 stainless steel with a maximum tensile strength of 115,000 p.s.i. Mill Test Reports shall be furnished.



One foot-candle photocell keeps High Mast fixtures off when FAA photocell energizes circuit at 35 foot-candles. Fixtures come on when sun goes down at 1 foot-candle.

One Foot-candle PhotoCell Schematic

Use on ring when obstruction lights are installed and FAA photocell is installed in electrical service.

- 3/03 Revision
- Revised General requirements; add diagram
- Revised Wire Rope and Terminals



HIGH MAST ILLUMINATION DETAILS

HMID (8) -03

© TxDOT January 1986		DN: TxDOT	CK: TxDOT	DW: TxDOT	CK: TxDOT
4-89	REVISIONS	CONT	SECT	JOB	HIGHWAY
10-93		0275	01	244	IH 40
4-96		DIST	COUNTY		SHEET NO.
3-03		AMA	POTTER		124

The use of this standard is governed by the "Texas Engineering Practice Act". No warranty of any kind is made by TxDOT for any purpose whatsoever. TxDOT assumes no responsibility for the construction of this standard to other formats or for incorrect results or damages resulting from its use.

DISCLAIMER: DATE: 2/7/2024 9:48:50 AM FILE: K:\01509\01509-0027-10 TxDOT AMA PS&E IH 40\TRAFFIC\SWA1\Standards\hmid-03.dgn

D. All terminals shall be proof-tested by the manufacturer to 40% of rated strength of the wire rope. Each terminal shall be identified by manufacturer's logo permanently incised on terminal. Manufacturer shall furnish certification of tests. Contractor shall also furnish one sample of each size of terminal with 5 ft. of wire rope for load tests by the State. Samples tested must withstand test load not less than 100% of rated breaking strength of wire rope. If sample fails test, all terminals of same size will be rejected.

E. Wire rope shall be delivered from the manufacturer on a reel.

7. SPRINGS

- A. Provide three steel springs as shown on plans.
- B. Springs shall have an uncompressed length of approximately 8 inches and shall compress 3 inches under 700-pound load.
- C. Springs shall contain approximately 19 total coils with ID of 0.875 and OD of 1.375 inches. Ends shall be closed and ground. Springs shall be zinc-plated.
- D. Springs shall be made from 1/4" diameter oil-tempered MB Steel treated for overstress. Springs shall not develop permanent set from 3-inch compression.

8. ELECTRICAL POWER CABLE

A. Power cable shall be No. 8 AWG three-conductor round Type W, rated 90 degrees C, 600 volt or 2000 volt. Each conductor shall be tinned copper and shall consist of 133 strands. Insulation shall be ethylene propylene rubber. Jacket shall be chlorosulfonated polyethylene (CSPE), with glass fiber or nylon reinforcing mesh between two layers of CSPE. Nominal diameter shall be 0.91". Filler shall be rubber compound or other approved non-hygroscopic compound. Jacket shall be Hypalon Power Flex 90, with no substitutions allowed.

9. POWER DRIVE ASSEMBLY (ONE ONLY THIS CONTRACT UNLESS OTHERWISE SHOWN ELSEWHERE ON THE PLANS)

A. Drive Motor

- 1. Drive motor shall be 1-1/4" heavy-duty reversible portable electric drill modified as shown on plans.
- 2. Shall have a minimum of 6 radial ball bearings, one thrust bearing, and one needle bearing.
- 3. Shall have No. 3 Morse Taper socket.
- 4. Shall be designed for 115 volt 60 Hertz single phase operation 250 RPM at no load.
- 5. Shall be designed for continuous rated duty of 160 RPM and 15 amperes at 115 volts with delivery of 33-pound-feet of torque. Drill motor to be operated only at low speed range. (i.e. 150 to 160 RPM)
- 6. Shall develop 240 pound-feet of torque at stalled rotor condition.

B. Torque Limiter Coupling

- 1. Torque limiter coupling shall consist of standard torque limiter with Type A sprocket center member coupled to a Type B sprocket by an ASA double strand roller chain. Type A sprocket shall be chrome-plated.
- 2. Coupling shall have torque capacity minimum of 15 pound-feet and a maximum of 55 pound-feet.
- 3. Limiter section of coupling shall consist of integral hub and pressure plate, two friction facings, sintered iron bushing, pilot plate, disk spring, lock washer and hex adjustment nut. All major components except spring and friction facings shall be cadmium-plated with dichromate treatment.
- 4. Type A center sprocket shall have ground face (63 micro-inch) and shall be run-in for 4 minutes at approximately 60 RPM at a torque setting 70% to 80% of spring rating. Contractor shall provide written certification that run-in has been accomplished.
- 5. The torque limiter coupling shall, after run-in, be set to a torque limit of 35 pound-feet or as directed by the Engineer. The proper setting of the coupling shall be demonstrated to the Engineer.

C. Universal Joints

- 1. Shall be slip-type with 4-inch barrel. A grease fitting shall be so located in the spider that all caps and needle bearings may be adequately serviced. The assembly shall be disassembled and zinc-plated, then reassembled and properly lubricated.
- 2. Shall have a minimum torque rating of 1270 inch-pounds at 200 RPM.
- 3. Shall have set screw and keyed coupling as shown on plans.



10. CONSTRUCTION METHODS

A. Fabrication

- 1. Fabrication and welding shall be in accordance with Item 441, "Steel Structures".
- 2. All holes supporting pulley shafts shall be drilled (not punched) prior to galvanizing.
- 3. All component parts shall be galvanized where galvanizing is applicable, after fabrication.
- 4. Galvanizing on all parts which have become scratched, chipped or otherwise damaged shall be thoroughly cleaned and the cleaned area painted with two coats of zinc dust-zinc oxide paint conforming to the requirements of repair compounds meeting Federal Specification TT-P-641 b.
- 5. Mounting rings and ring support assemblies shall be fabricated with the use of jigs that have been inspected and approved by Material and Test Division personnel prior to their usage.
- 6. The fabricator shall submit his proposed welding procedures in accordance with Item 441, "Steel Structures".

B. Installing Wire Rope

- 1. Extreme care shall be used to prevent wire rope from kinking, nicking, or from sustaining other damage during installation. Rope shall not be installed by pulling from flat coil, but shall be carefully unrolled its full length or placed on a horizontal axis and unreeled according to wire rope industry standards.
- 2. For right lay rope, the rope shall be attached to the drum on the end opposite the winch gear train, and wound on drum so that the free end of the rope comes off the backside of the drum during normal operation of the winch. Rope must be unreeled carefully as stated above. Care must be taken to insure that all layers lay full and tight on drum.
- 3. Installation of all wire rope shall be accomplished only under direct supervision of the Engineer or his authorized representative. Contractor shall not remove wire rope from manufacturer's reel until authorized by the Engineer. Installation of wire rope on winch shall be in accordance with the above and accepted industry practice. Installation of the three hoist cables shall be made from the top end of the pole and as directed by the Engineer or his representative.

C. Installing Wire Rope Clips

- 1. Turn back approx. 2' 3" of rope, measured from the top of thimble. Apply seizing to pigtail end of wire rope prior to cutting to length. See detail "K", Sheet 3. Apply first clip approx. 3" from the dead end of the wire rope with U-bolt over dead end and live end in clip saddle. Tighten nuts evenly to 30 pound-feet of torque, or as recommended by manufacturer.
- 2. Install second clip as near loop as possible, take out slack and torque nuts evenly to 30 pound-feet or as recommended by manufacturer.
- 3. After final erection and assembly of the pole and high mast assembly, retighten nuts to required torque.

D. Installing Light Ring and Luminaires

- 1. Prior to mounting luminaires to the light ring, Contractor shall ensure the ring is level. Luminaires shall be mounted level on the light ring. Luminaires shall be oriented as shown on plans.

3/03 Revision
 Revised Construction Methods.



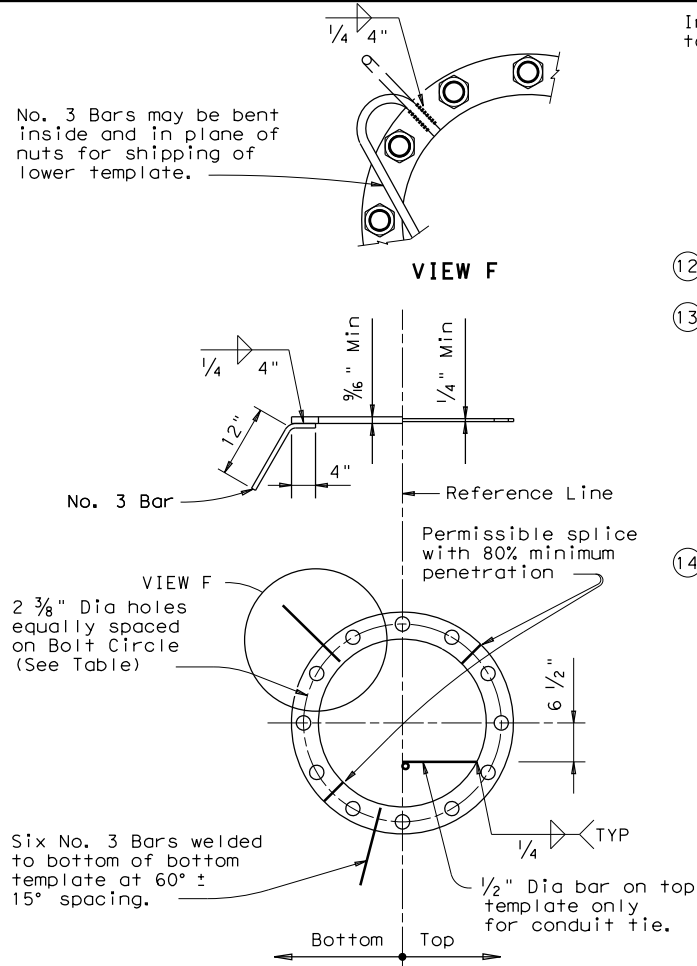
**HIGH MAST
 ILLUMINATION
 DETAILS**

HMID (9) -03

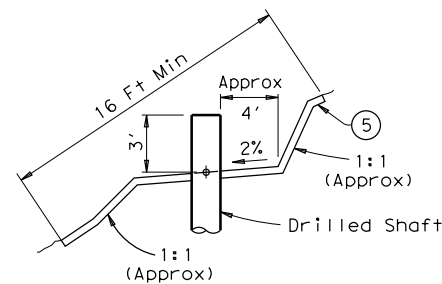
© TxDOT January 1986		DN: TxDOT	CK: TxDOT	DW: TxDOT	CK: TxDOT
10-93	REVISIONS	CONT	SECT	JOB	HIGHWAY
10-95		0275	01	244	IH 40
4-96		DIST		COUNTY	SHEET NO.
3-03		AMA		POTTER	125

DISCLAIMER: The use of this standard is governed by the "Texas Engineering Practice Act". No warranty of any kind is made by TxDOT for any purpose whatsoever. TxDOT assumes no responsibility for the conversion of this standard to other formats or for incorrect results or damages resulting from its use.

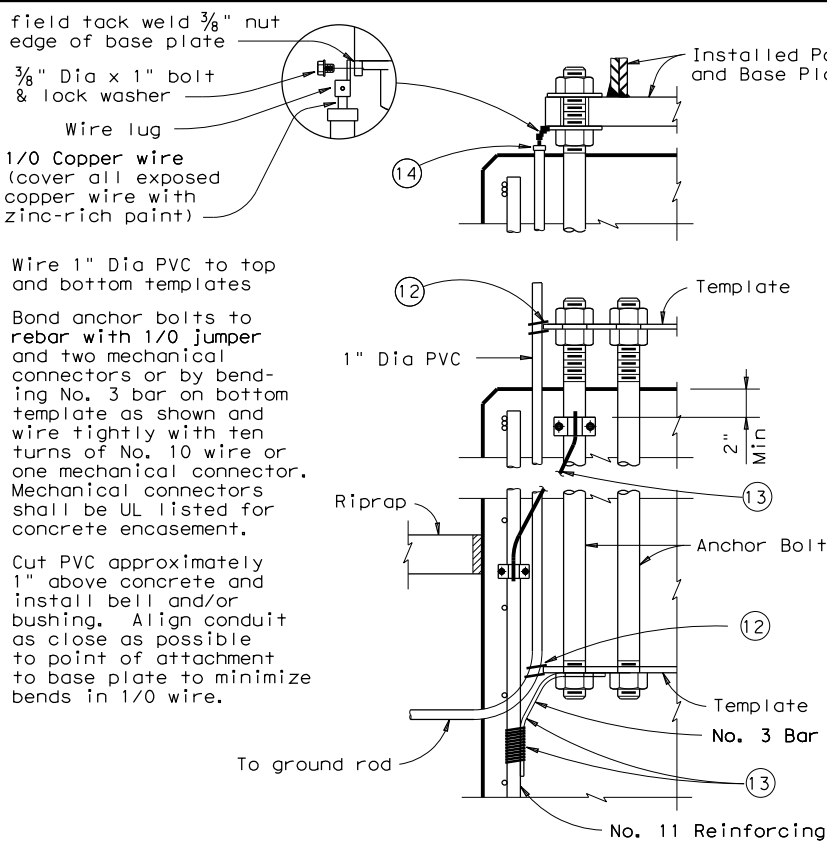
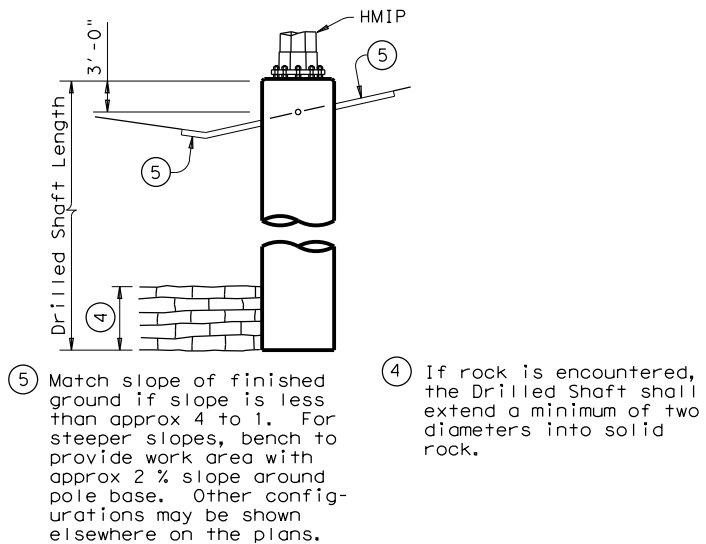
DATE: 2/7/2024 9:48:50 AM
 FILE: K:\01509\01509-0027-10 TxDOT AMA PS&E IH 40\TRAFFIC\SWA1\Standards\hmi-f98.dgn



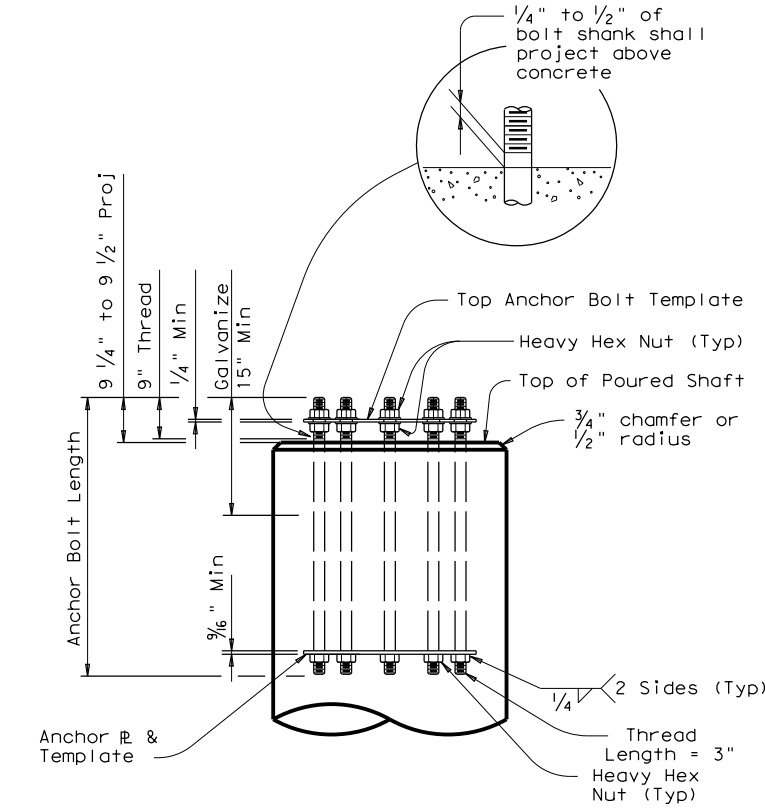
ANCHOR BOLT TEMPLATES



RIPRAP ON SLOPES

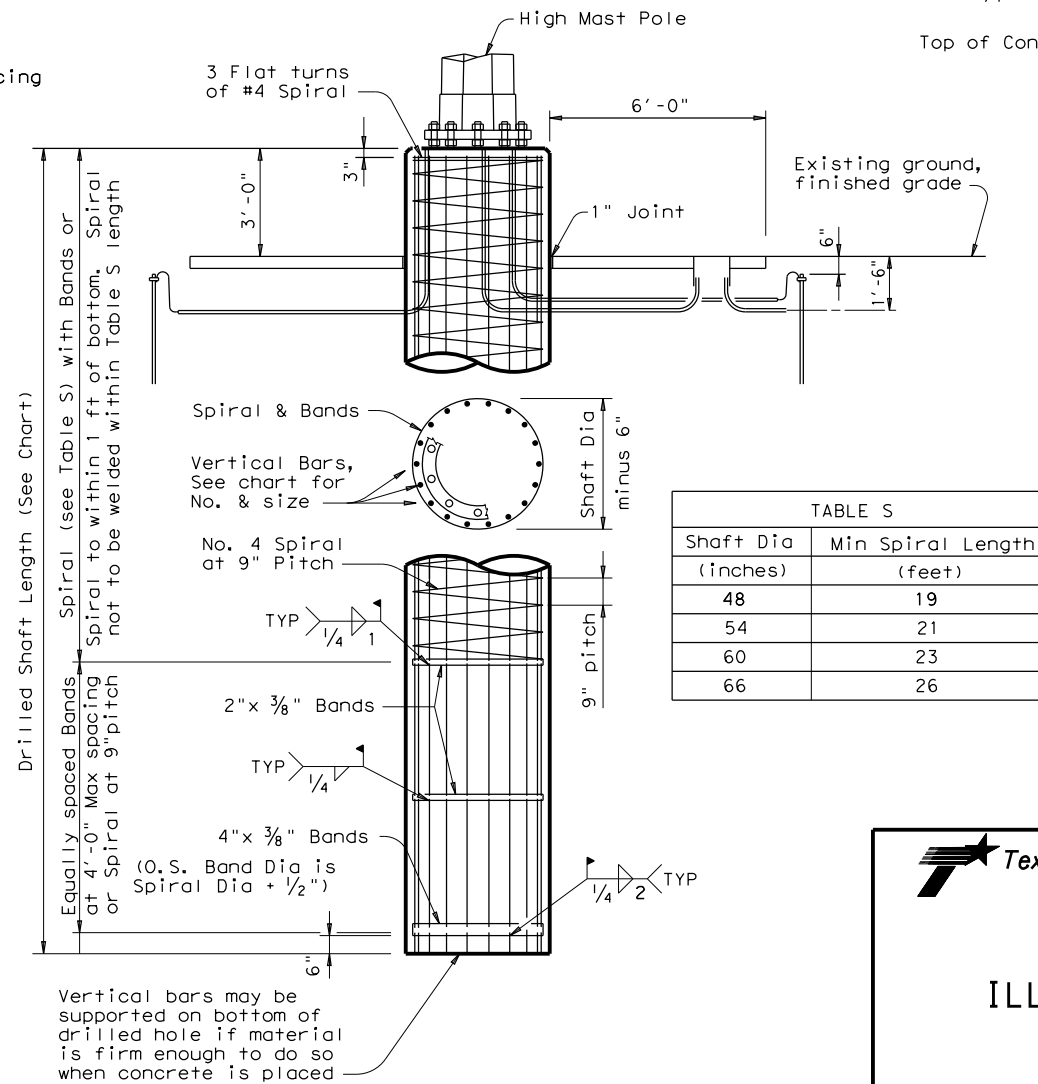
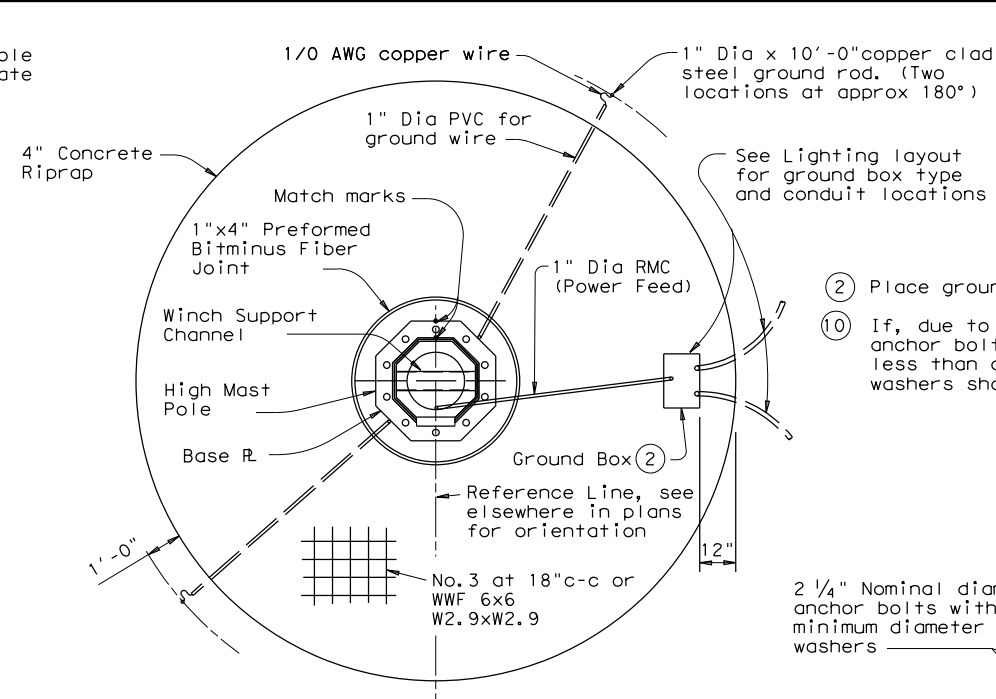


LIGHTNING PROTECTION SYSTEM



ANCHOR BOLT ASSEMBLY

(See Anchor Bolt Table for number of bolts required)



Drilled Shaft Length (See Chart)

Equally spaced Bands at 4'-0" Max spacing or Spiral at 9" pitch
 Spiral (see Table S) with Bands or Spiral to within 1 ft of bottom. Spiral not to be welded within Table S length

TABLE S	
Shaft Dia (inches)	Min Spiral Length (feet)
48	19
54	21
60	23
66	26

DRILLED SHAFT FOUNDATION DETAIL

Vertical bars may be supported on bottom of drilled hole if material is firm enough to do so when concrete is placed



HIGH MAST ILLUMINATION POLE FOUNDATIONS

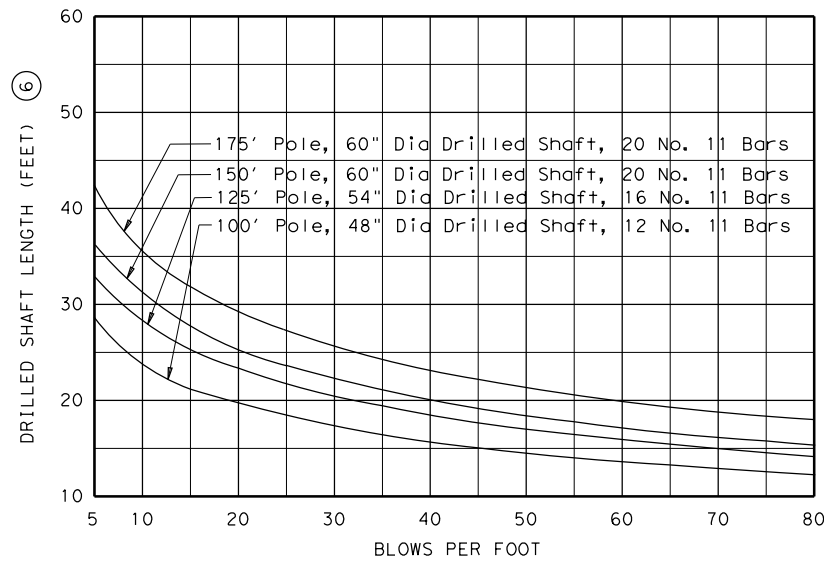
SHEET 1 OF 2 HMIF (1) -98

© TxDOT August 1995		DN: TXDOT	CK: TXDOT	DW: TXDOT	CK: TXDOT
11-97	REVISIONS	CONT	SECT	JOB	HIGHWAY
5-98	Anchor Bolt Circle Dia	0275	01	244	IH 40
AMA	POTTER	DIST	COUNTY	SHEET NO.	
				126	

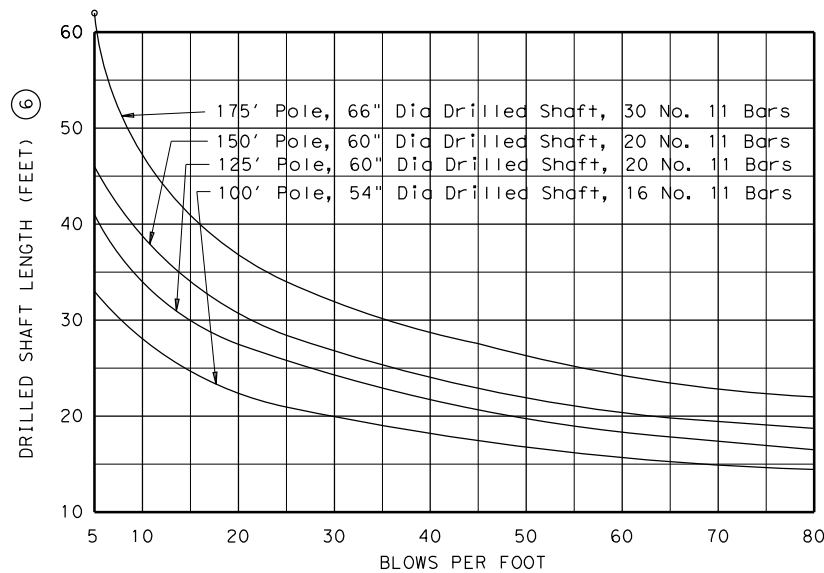
DISCLAIMER: The use of this standard is governed by the "Texas Engineering Practice Act". No warranty of any kind is made by TxDOT for any purpose whatsoever. TxDOT assumes no responsibility for the conversion of this standard to other formats or for incorrect results or damages resulting from its use.

DATE: 2/7/2024 9:48:51 AM
FILE: K:\01509\01509-0027-10 TxDOT AMA PS&E IH 40\TRAFFIC\SWA1\Standards\hmi-f98.dgn

⑥ Includes normal 3 Ft exposure. Shafts with more than 3 Ft exposure must have additional length.



Do not extrapolate below 5 Blows/Ft. A special design will be required for soil less than 5 Blows/Ft.



Do not extrapolate below 5 Blows/Ft. A special design will be required for soil less than 5 Blows/Ft.

TEXAS CONE PENETROMETER TEST TABLES

NOTE: Use average "N" value over the top third of the embedded shaft. Ignore the top 2' of soil.

ANCHOR BOLT TABLE						
Pole Height (feet)	Bolt Diameter (inches)	Bolt Length (feet)	Bolt Templates		No. of Bolts ~	Bolt Cir Dia (inches)
			O D (inches)	I D (inches)		
8 SIDED POLE						
175	2.25	4.83	45.5	36.5	16	41
150	2.25	4.83	42.5	33.5	12	38
125	2.25	4.83	39.5	30.5	8	35
100	2.25	4.83	35.5	26.5	6	31
12 SIDED POLE						
175	2.25	4.83	48.5	39.5	12	44
150	2.25	4.83	45.5	36.5	10	41
125	2.25	4.83	40.5	31.5	8	36
100	2.25	4.83	36.5	27.5	6	32
8 SIDED POLE						
175	2.25	4.83	50.5	41.5	20	46
150	2.25	4.83	47.5	38.5	16	43
125	2.25	4.83	43.5	34.5	12	39
100	2.25	4.83	38.5	29.5	10	34
12 SIDED POLE						
175	2.25	4.83	50.5	41.5	16	46
150	2.25	4.83	48.5	39.5	12	44
125	2.25	4.83	44.5	35.5	10	40
100	2.25	4.83	40.5	31.5	6	36

MISCELLANEOUS QUANTITIES - ONE HMIF			
Shaft Diameter (in) ⑦	48	54	60
Concrete Riprap (CY)	2.33	2.44	2.56
Reinforcing (Lbs) ⑧	94	99	103
Ground Box (ea)	1	1	1
R O W Marker (ea) ⑨	1	1	1

- ⑦ See elsewhere on plans for length of Drilled Shaft required.
- ⑧ For Contractors information only.
- ⑨ Designated elsewhere on plans if required.

GENERAL NOTES:

Unless otherwise noted, the welded steel bands may be replaced with spiral as shown on the foundation details.

Anchor bolts shall be placed in foundation so there are always two bolts on reference line.


Drilled shaft lengths as determined from the foundation design chart or other acceptable methods are to be as shown elsewhere on the plans.

ODSR may not be used for HMIF drilled shafts.

Concrete for drilled shafts shall be Class C.

Repair welded areas with zinc-rich paint.

All Anchor Bolts, Nuts and Washers shall be galvanized in accordance with Item 445, "Galvanizing".



Texas Department of Transportation
Traffic Operations Division

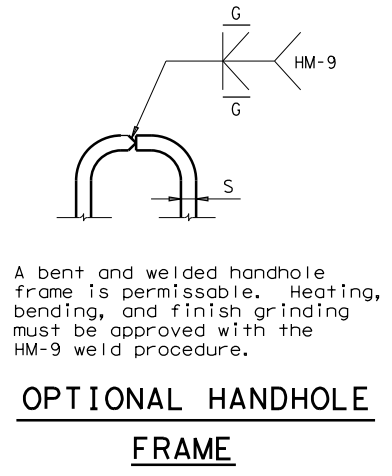
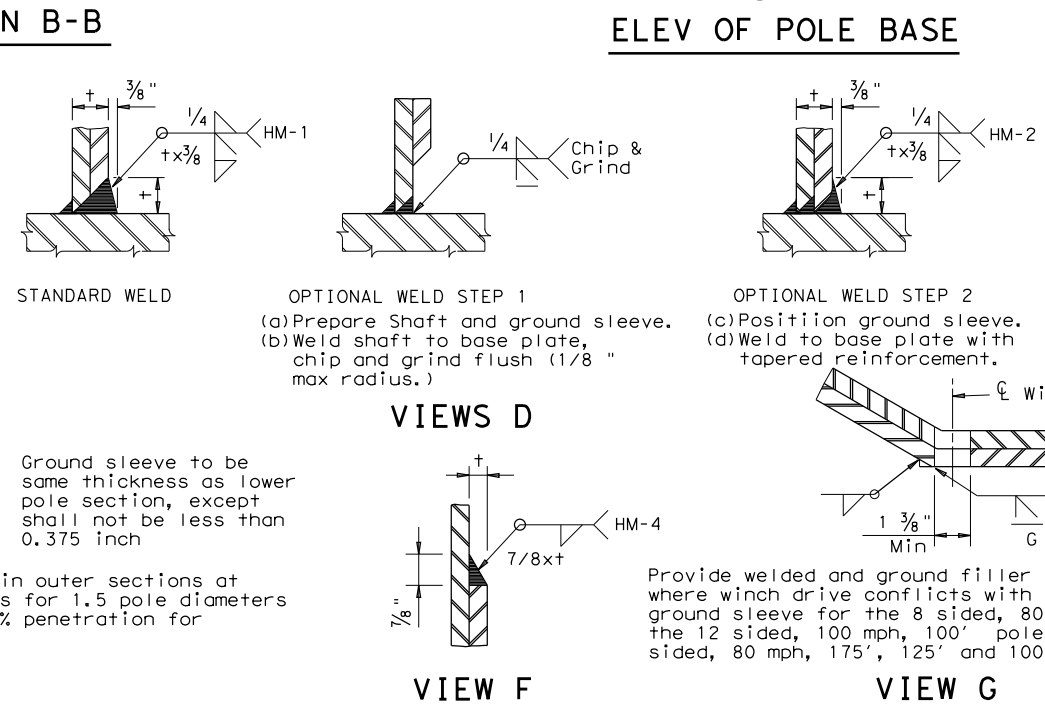
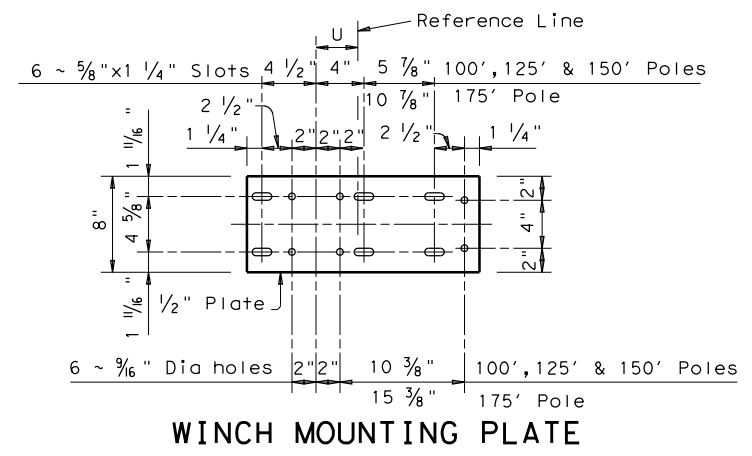
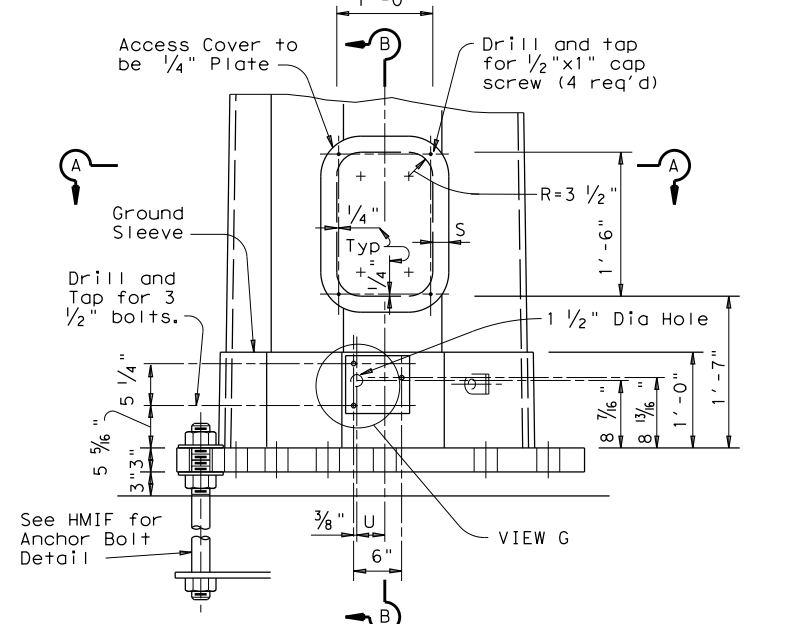
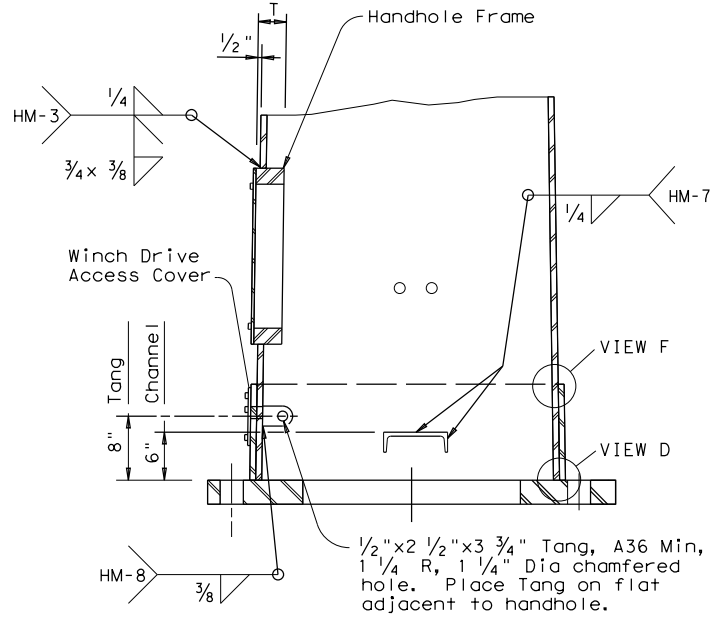
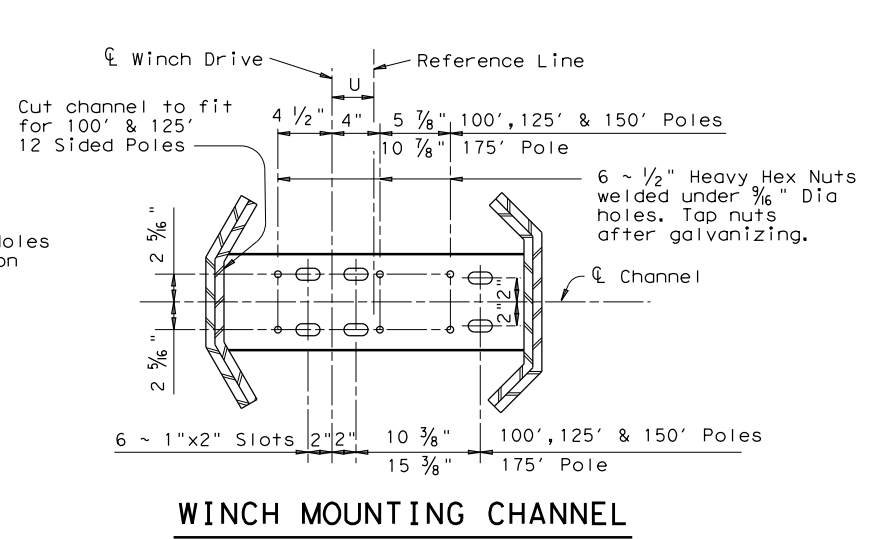
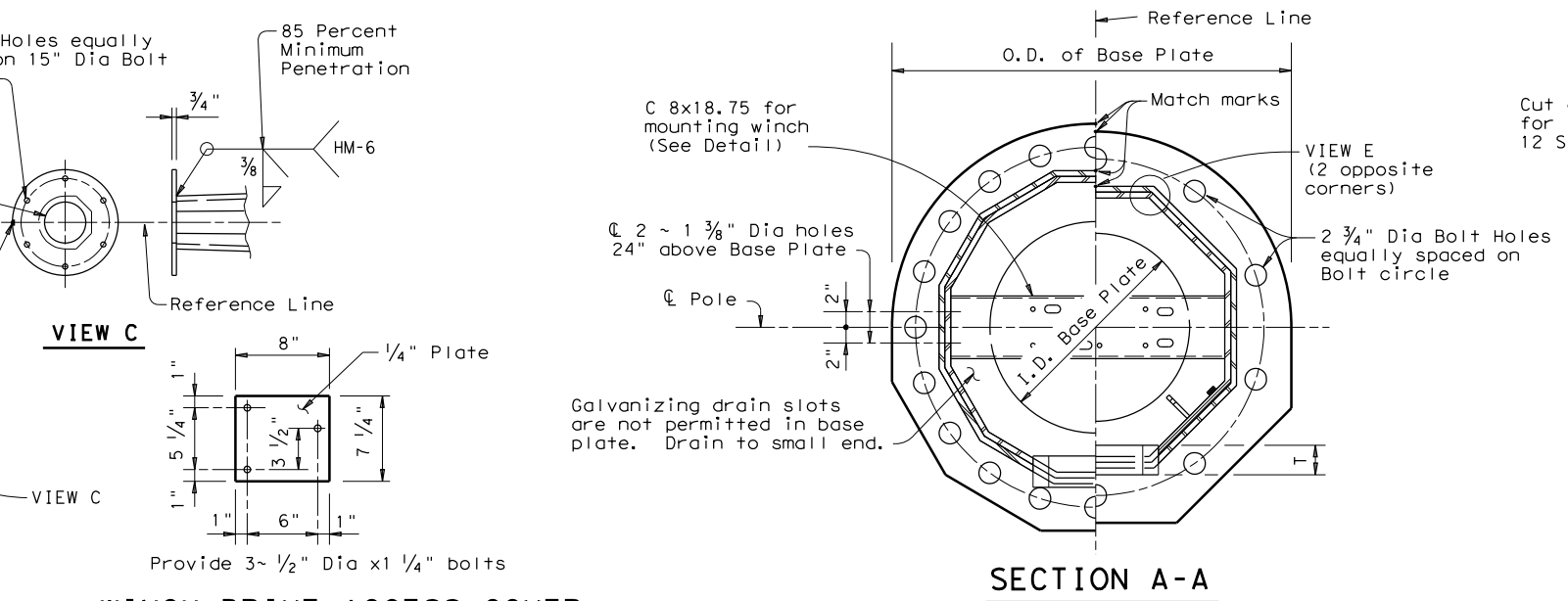
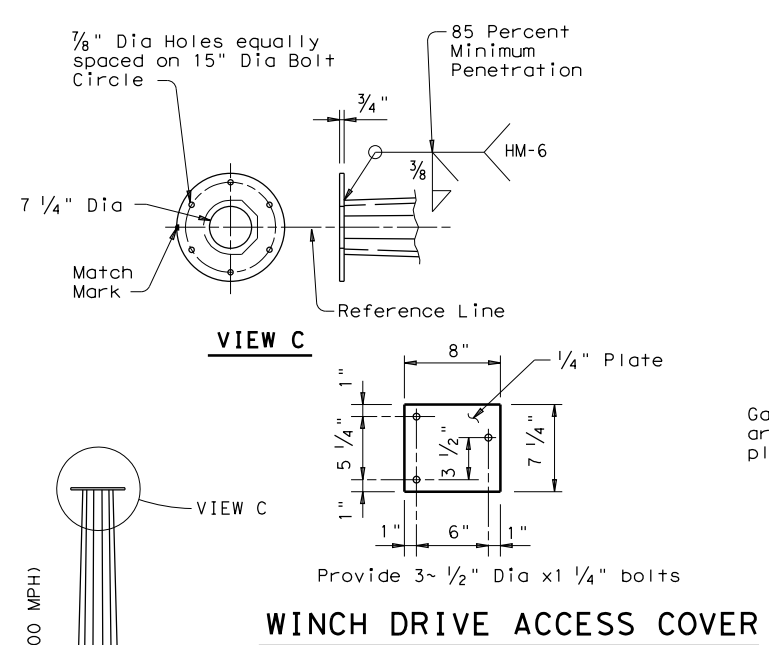
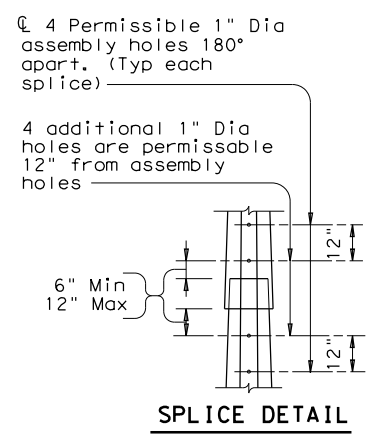
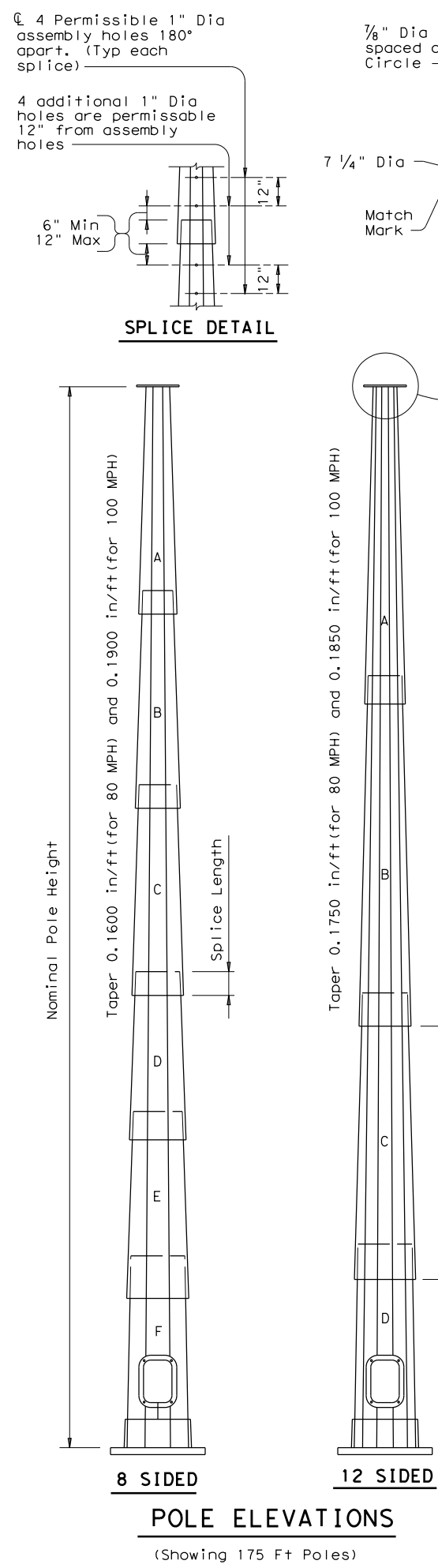
**HIGH MAST
ILLUMINATION POLE
FOUNDATIONS**

SHEET 2 OF 2 HMIF (2) - 98

© TxDOT August 1995		DN: TxDOT	CK: TxDOT	DW: TxDOT	CK: TxDOT
5-98 ~ Anchor Bolt Circle Dia	REVISIONS	CONT	SECT	JOB	HIGHWAY
	0275	01	244	IH 40	
	DIST	COUNTY		SHEET NO.	
	AMA	POTTER		127	

DISCLAIMER: The use of this standard is governed by the "Texas Engineering Practice Act". No warranty of any kind is made by TxDOT for any purpose whatsoever. TxDOT assumes no responsibility for the conversion of this standard to other formats or for incorrect results or damages resulting from its use.

DATE: 2/7/2024 9:48:51 AM
 FILE: K:\01509\01509-0027-10 TxDOT AMA PS&E_IH_40\TRAFFIC\SWA1\Standards\hmip-16.dwg



A bent and welded handhole frame is permissible. Heating, bending, and finish grinding must be approved with the HM-9 weld procedure.

SHEET 1 OF 2

		Traffic Operations Division Standard	
HIGH MAST ILLUMINATION POLES 100' - 125' - 150' - 175'			
HMIP(1)-16			
FILE: hmip-16.dgn	DN:	CK:	DW:
© TxDOT August 1995	REVISIONS	CONT	SECT
5-98	0275	01	244
8-16			
	DIST	COUNTY	SHEET NO.
	AMA	POTTER	128

DISCLAIMER: The use of this standard is governed by the "Texas Engineering Practice Act". No warranty of any kind is made by TxDOT for any purpose whatsoever. TxDOT assumes no responsibility for the conversion of this standard to other formats or for incorrect results or damages resulting from its use.

DATE: 2/7/2024 9:48:51 AM
 FILE: K:\01509\01509-0027-10 TxDOT AMA PS&E IH 40\TRAFFIC\SWA1\Standards\hmp-16.dgn

TABLE OF VARIABLE POLE DIMENSIONS											
Ht (ft)	Section	8 SIDED POLE					12 SIDED POLE				
		Diameter (Inches)		Thickness (inches)	Length (feet)	Splice (inches)	Diameter (Inches)		Thickness (inches)	Length (feet)	Splice (inches)
		Bottom	Top				Bottom	Top			
175	A	13.083	7.750	.250	33.33	19	16.792	7.750	.250	51.67	24
	B	17.792	12.205	.375	34.92	25	24.858	15.817	.313	51.67	36
	C	22.250	16.583	.375	35.42	32	32.625	23.583	.313	51.67	48
	D	25.375	20.948	.438	27.67	36	36.250	31.175	.375	29.00	~
	E	28.375	23.895	.500	28.00	41					
	F	31.250	26.703	.500	28.42	~					
150	A	13.083	7.750	.250	33.33	19	16.792	7.750	.250	51.67	24
	B	17.792	12.205	.375	34.92	25	24.858	15.817	.313	51.67	36
	C	22.250	16.583	.375	35.42	32	32.625	23.583	.313	51.67	~
	D	25.375	20.948	.438	27.67	36					
	E	28.375	23.895	.500	28.00	~					
125	A	13.083	7.750	.250	33.33	19	16.792	7.750	.250	51.67	24
	B	17.792	12.205	.375	34.92	25	24.858	15.817	.313	51.67	36
	C	22.250	16.583	.375	35.67	32	28.250	23.583	.313	26.67	~
	D	25.375	20.948	.438	27.67	~					
100	A	13.083	7.750	.250	33.33	19	16.792	7.750	.250	51.67	24
	B	17.792	12.205	.375	34.67	25	24.625	15.817	.313	50.33	~
	C	22.250	16.583	.375	35.67	~					
175	A	14.208	7.875	.313	33.33	20	17.433	7.875	.375	51.67	25
	B	19.792	13.142	.375	35.00	28	25.747	16.173	.438	51.75	37
	C	25.250	18.473	.438	35.67	36	33.750	24.176	.438	51.75	49
	D	29.000	23.680	.500	28.00	42	37.375	31.995	.500	29.08	~
	E	32.625	27.210	.563	28.50	47					
	F	36.125	30.631	.563	28.92	~					
150	A	14.208	7.875	.313	33.33	20	17.433	7.875	.375	51.67	25
	B	19.792	13.142	.375	35.00	28	25.747	16.173	.438	51.75	37
	C	25.250	18.473	.438	35.67	36	33.750	24.176	.438	51.75	~
	D	29.00	23.680	.500	28.00	42					
	E	32.625	27.210	.563	28.50	~					
125	A	14.208	7.875	.313	33.33	20	17.433	7.875	.375	51.67	25
	B	19.792	13.142	.375	35.00	28	25.747	16.173	.438	51.75	37
	C	25.250	18.473	.438	35.67	36	29.125	24.176	.438	26.75	~
	D	29.00	23.680	.500	28.00	~					
100	A	14.208	7.875	.313	33.33	20	17.433	7.875	.375	51.67	25
	B	19.792	13.142	.375	35.00	28	25.500	16.173	.375	50.42	~
	C	25.250	18.473	.438	35.67	~					

Diameters are measured across the flats.

MATERIALS	
Polygonal Shafts Ground Sleeves	ASTM A709 Grade 50 A572 Grade 50 ① ②
Base Plate and Handhole Frame	ASTM A709 Grade 50 A572 Grade 50 ① A633 Grade C ①
Miscellaneous Steel	ASTM A36 or equal



- ① ASTM A572 and A633 may have higher yield strength but shall not have less elongation than the grade indicated.
- ② The silicon content of all steel shall be controlled to ensure high quality galvanizing and to avoid discoloration.

TABLE OF VARIABLE BASE DIMENSIONS							
Ht (ft)	O.D. (inches)	I.D. (inches)	Bolt Cir (inches)	No. Bolts	S (inches)	T (inches)	U (inches)
8 SIDED POLE							
175'	47	22	41	16	2.00	3.75	4.50
150'	44	18	38	12	2.00	4.00	3.50
125'	41	16	35	8	2.00	4.50	3.50
100'	37	14	31	6	2.00	5.00	3.50
12 SIDED POLE							
175'	50	24	44	12	1.75	3.50	3.50
150'	47	22	41	10	1.75	3.50	2.50
125'	42	18	36	8	1.75	3.75	2.50
100'	38	13	32	6	1.75	4.00	2.50
8 SIDED POLE							
175'	52	27	46	20	1.75	3.50	4.50
150'	49	23	43	16	1.75	4.00	3.50
125'	45	21	39	12	1.75	4.50	3.50
100'	40	17	34	10	1.75	4.50	3.50
12 SIDED POLE							
175'	52	27	46	16	1.75	3.25	3.50
150'	50	25	44	12	1.75	3.50	2.50
125'	46	22	40	10	1.75	3.75	2.50
100'	42	19	36	6	1.75	4.00	2.50

NOTE: Base Plate may be round or with 8 or 12 equal segments matching the pole.

GENERAL NOTES:

- Design conforms to AASHTO 1994 Standard Specifications for Structural Supports for Highway Signs, Luminaries, and Traffic Signals and Interim Revisions thereto. The Design Wind Speed is 80 mph or 100 mph.
- The required design height and wind speed shall be as shown elsewhere in the plans.
- Each pole section, top flange plate and base plate shall be permanently marked on the reference line. The required mark locations are shown on the baseplate, top plate, and foundation plan details. These marks shall be used in pole assembly and erection alignment. The reference line and anchor bolt orientation shall be parallel to roadway centerline unless otherwise shown on Lighting Layouts.

			
<h2>HIGH MAST ILLUMINATION POLES</h2> <p>100' - 125' - 150' - 175'</p> <h3>HMIP (2) - 16</h3>			
FILE: hmp-16.dgn	DN:	CK:	DW:
© TxDOT August 1995	CONT	SECT	JOB
REVISIONS	0275	01	244
5-98	DIST	COUNTY	SHEET NO.
8-16	AMA	POTTER	129

ROADWAY ILLUMINATION ASSEMBLY NOTES

DISCLAIMER: The use of this standard is governed by the "Texas Engineering Practice Act". No warranty of any kind is made by TxDOT for any purpose whatsoever. TxDOT assumes no responsibility for the conversion of drawings to other formats or for incorrect results or damages resulting from its use.

DATE: 2/7/2024 9:48:52 AM
 FILE: K:\01509\01509-0027-10 TxDOT AMA PS&E IH 40\TRAFFIC\SWA1\Standards\RID(1)-20.dgn

1. Details apply to roadway lighting installations bid or referenced under Item 610, "Roadway Illumination Assemblies." Provide, furnish, and install all other materials not shown on the plans which may be necessary for complete and proper construction. Where manufacturers provide warranties or guarantees as a customary trade practice, furnish to the State such warranties or guarantees.
2. The locations of poles and fixtures may be shifted by the Engineer to accommodate local conditions. Install or remove poles and luminaires located near overhead electrical lines using established industry and utility safety practices and in accordance with laws governing such work. Consult with the appropriate utility company prior to beginning such work.
3. Provide new and unused materials. Ensure that all materials and installations comply with the applicable articles of the National Electrical Code (NEC), TxDOT standards and specifications, National Electrical Manufacturers Association (NEMA), and are listed by Underwriters Laboratories (UL) or a Nationally Recognized Testing Lab (NRTL). NRTLs such as Canadian Standard Association, Intertek Testing Services NA Inc., or FM Approvals LLC can be considered equivalent to UL. Faulty fabrication or poor workmanship in any material, equipment, or installation is justification for rejection.
4. Provide Roadway Illumination Light Fixtures as per TxDOT Departmental Material Specification (DMS) 11010, Item 610, and as shown on the Material Producers List (MPL) for Roadway Illumination and Electrical Supplies.
5. Fabricate steel roadway illumination poles in accordance with Roadway Illumination Poles (RIP) standards and Item 610. Poles fabricated according to RIP standards do not require shop drawing submittals.
 - a. Alternate designs to RIP standards or the use of aluminum to fabricate poles will require the submission of shop drawings electronically. For instructions on submitting shop drawings electronically see "Guide to Electronic Shop Drawing Submittal" on the TxDOT web site.
 - b. Limitations on use of the RIP standard: The RIP standard details were developed for installations in locations where the 3-second gust basic maximum wind speed is 110 mph, and where the elevation of the base of the pole is less than (i.e. not more than) 25' above the elevation of the surrounding terrain, in accordance with the "AASHTO Standard Specifications for Structural Supports for Highway Signs, Luminaires and Traffic Signals," 6th Edition (2013) of the AASHTO Design Specifications. For poles to be installed in regions where the maximum basic wind speed exceeds 110 mph or to be mounted more than 25' above the surrounding terrain, provide poles meeting the following requirements:
 - i. Submittals. Following the electronic shop drawing submittal process (see Guide to Electronic Shop Drawing Submittal on the TxDOT web site), submit to the Engineer for approval fabrication drawings and calculations for the poles, sealed by a Texas licensed professional engineer (P.E.).
 - ii. Luminaire Structural Support Requirements. Provide light poles, arms, and anchor bolt assemblies with a 25 year design life to safely resist dead loads, ice loads and the required basic wind speeds at the location of installation in accordance with the 6th edition (2013) of the AASHTO Design Specifications. For transformer base poles, include transformer base and connecting hardware in calculations and shop drawing submittals. Structurally test all transformer bases to resist the theoretical plastic moment capacity of the pole. Submit certification of the plastic moment load test and FHWA breakaway requirement test of the model of base being furnished with the shop drawings. Show breakaway base model number, manufacturer's name, and logo on shop drawings. Include on manufacturer's shop drawings the ASTM designations for all materials to be used.
6. For both transformer and shoe-base type illumination poles, provide and install double-pole breakaway fuse holders as specified by DMS-11040. Breakaway fuse holders are listed on the MPL for Roadway Illumination and Electrical Supplies under Items 610 & 620. Provide 10 amp time delay fuses for breakaway connectors in light poles, or inside the light fixture for underpass luminaires. In each pole, connect luminaires to the breakaway connector with continuous stranded 12 AWG copper conductors as listed on the MPL. Bond all equipment grounding conductors together and to the ground lug in the transformer base or hand hole.
7. Tighten anchor bolts for shoe base, concrete traffic barrier base, and bridge mount roadway illumination poles, in accordance with Item 449.
8. Install T-Base with following procedure:
 - a. Anchor Bolt Tightening.
 - i. Coat the threads of the anchor bolts with electrically conductive lubricant.
 - ii. Place the T-base over the anchor bolts. Foundation must be level and flat. The maximum permissible gap under any one corner of the T-base is 1/8" before nuts are tightened.
 - iii. Coat the bearing surfaces of the nuts and washers with electrically conductive lubricant. Install (1) 1/2" hold down washer, (1) lock washer, and (1) nut on each anchor bolt. Turn the nuts onto the bolts so that each is hand-tight against the washer.
 - iv. Using a torque wrench, tighten each nut to 150 ft-lb. Uniform contact is required between the foundation and the T-base in the corner regions of the T-base, and all corner gaps must be closed after applying torque. If a gap still exists after torquing to 150 ft-lbs, continue torquing each bolt incrementally until gap is closed or maximum allowable torque of 250 ft. pound is reached, whichever comes first. If 250 ft-lbs is not enough to close the gap the foundation must be leveled. Gaps along the straight sides of the T-bases and the foundation are permissible. Ensure that no high point of contact occurs between the straight sides of the T-base and the foundation.
 - v. Check top of T-base for level. If not level then foundation must be leveled.
 - b. Top Bolt Procedure
 - i. Erect pole over T-base with crane. Coat bolts, nuts, washers, and lock washers with electrically conductive lubricant.

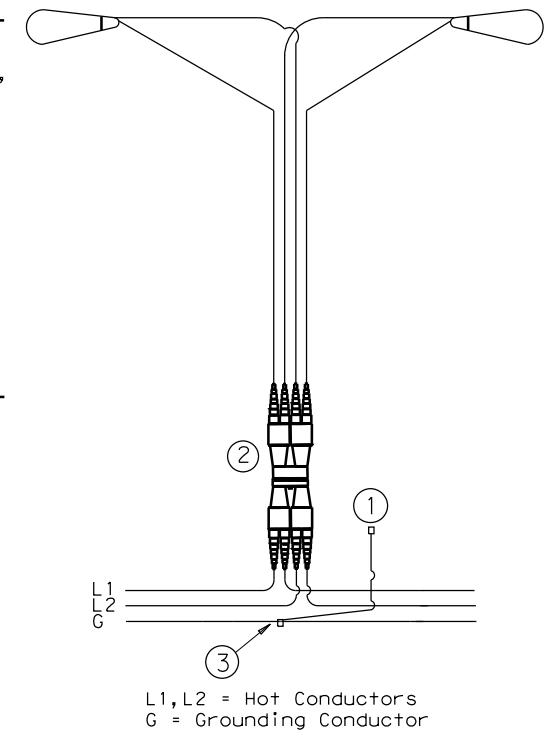
- ii. Install bolts and 1/2" connecting washers from the inside of the T-base, thread up through the pole base. Install flat washers, lock washers and nuts snug tight according to Item 447, "Structural Bolting."
 - iii. Tighten each nut to 150 ft-lb. using a torque wrench.
- c. Level and Plumb
- i. Ensure pole is plumb and mast arm is perpendicular to the roadway according to plans to within 5 degrees.
9. Construct luminaire pole foundations in accordance with Item 416, "Drilled Shaft Foundations," and TxDOT standard sheet RID(2).
 10. Provide and install underpass luminaires in accordance with Item 610, DMS-11010, and TxDOT standard sheet RID(3). Typical luminaire size for underpass luminaires is 150W HPS or 150W EQ LED.
 11. Mount luminaires on arms level as shown by the luminaire level indicator.
 12. Orient luminaires perpendicular to the roadway intended to be lit unless otherwise shown on the plans.

Wiring Diagram Notes:

- ① Use 1/2 in. -13 UNC threaded, copper or tin-plated copper, pole bonding connector, sized appropriately for conductors, bonded to T-base, or use ground lug in handhole as available.
- ② Use pre-qualified two-pole breakaway connectors for all luminaire pole installations. For luminaires fed by a circuit with a neutral conductor, use double pole breakaway connectors with the neutral side unfused and marked white.
- ③ Split Bolt or other connector.

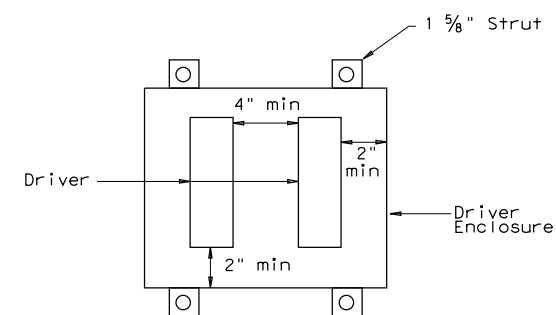
Decorative LED Lighting Notes:

1. LED Drivers in Remote Outdoor enclosures (for drivers that do not include an enclosure as part of a factory assembly):
 - a. Provide NEMA 3R outdoor enclosure or as approved.
 - b. Install enclosure at least 12" above ground or other horizontal surface. Mount vertically or on ceiling, and avoid direct sun where possible.
 - c. Install drivers with at least 2 inches of space from enclosure walls.
 - d. For multiple drivers in an enclosure, provide at least 4 inches side to side and 1 inch end to end from other drivers or electronic equipment
 - e. For drivers mounted on back wall of enclosure, mount enclosure on 1 5/8" strut or other standoff to dissipate heat, or mount driver to side of the enclosure or to the metal cover.
 - f. Provide remote drivers with a maximum of 100 watts
 - g. Provide drivers with documentation of 100,000 hr lifetime at Tcase of 65C or higher.



TYPICAL WIRING DIAGRAM

LUMINAIRES SERVED AT 480V ON 240/480 VOLT SERVICE OR LUMINAIRES SERVED AT 240V FOR 120/240 VOLT SERVICE.

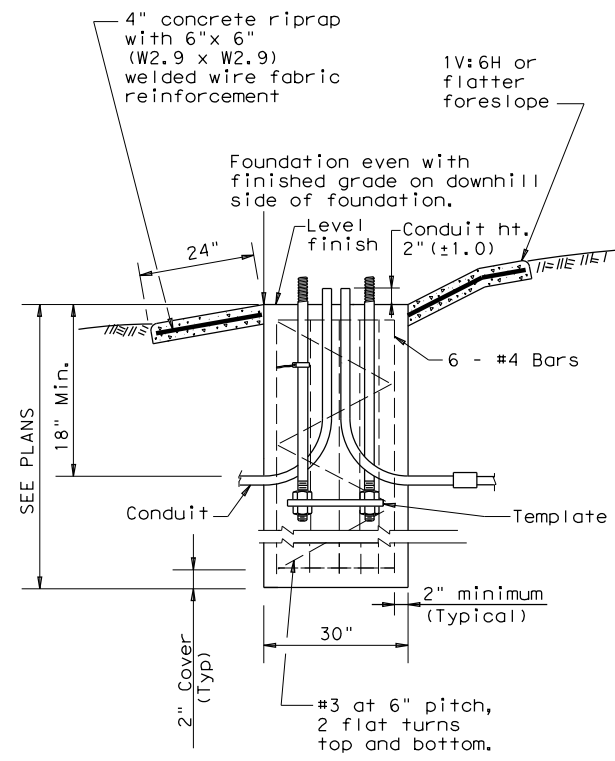


Driver Spacing In Remote Enclosure

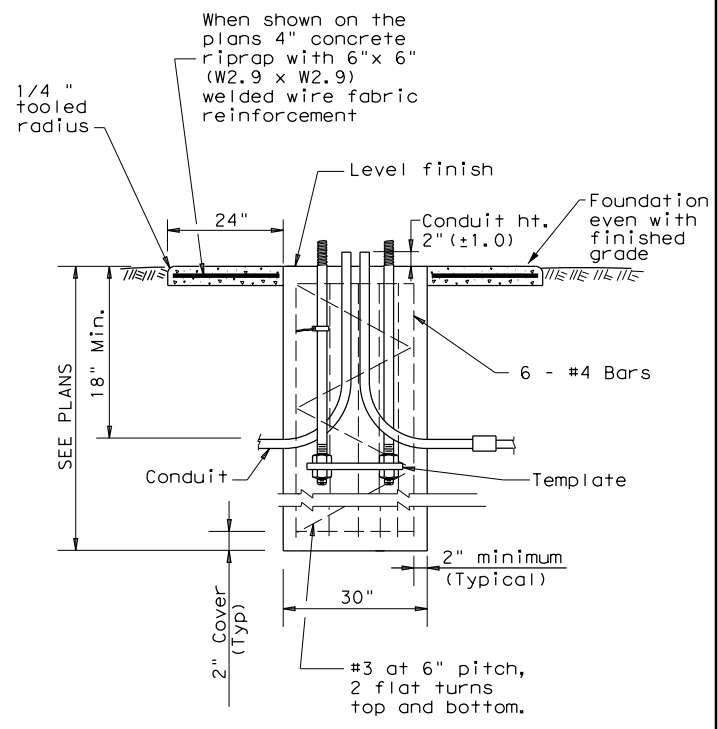
				Traffic Safety Division Standard	
<h1>ROADWAY ILLUMINATION DETAILS</h1> <h2>RID(1)-20</h2>					
FILE:	rid1-20.dgn	DN:	CK:	DW:	CK:
© TxDOT	January 2007	CONT	SECT	JOB	HIGHWAY
REVISIONS		0275	01	244	IH 40
7-17		DIST	COUNTY		SHEET NO.
12-20		AMA	POTTER		130
72A					

DISCLAIMER: The use of this standard is governed by the "Texas Engineering Practice Act". No warranty of any kind is made by TxDOT for any purpose whatsoever. TxDOT assumes no responsibility for the conversion of this standard to other formats or for incorrect results or damages resulting from its use.

DATE: 2/7/2024 9:48:52 AM
 FILE: K:\01509\01509-0027-10 TxDOT AMA PS&E_IH_40_TRAFFIC\SWA1\Standards\RID(2)-20.dgn



SECTION A-A
SHOWING SLOPED GRADE



SECTION A-A
SHOWING CONSTANT GRADE

TABLE 1

ANCHOR BOLTS

POLE MOUNTING HEIGHT	BOLT CIRCLE		ANCHOR BOLT SIZE
	Shoe Base	T-Base	
<40 ft.	13 in.	14 in.	1 in. x 30 in.
40-50 ft.	15 in.	17 1/4 in.	1 1/4 in. x 30 in.

TABLE 2

RECOMMENDED FOUNDATION LENGTHS
(See note 1)

MOUNTING HEIGHT	TEXAS CONE PENETROMETER N Blows/ft		
	10	15	40
≤20 ft.	6'	6'	6'
>20 ft. to 30 ft.	8'	6'	6'
>30 ft. to 40 ft.	8'	8'	6'
>40 ft. to 50 ft.	10'	8'	6'

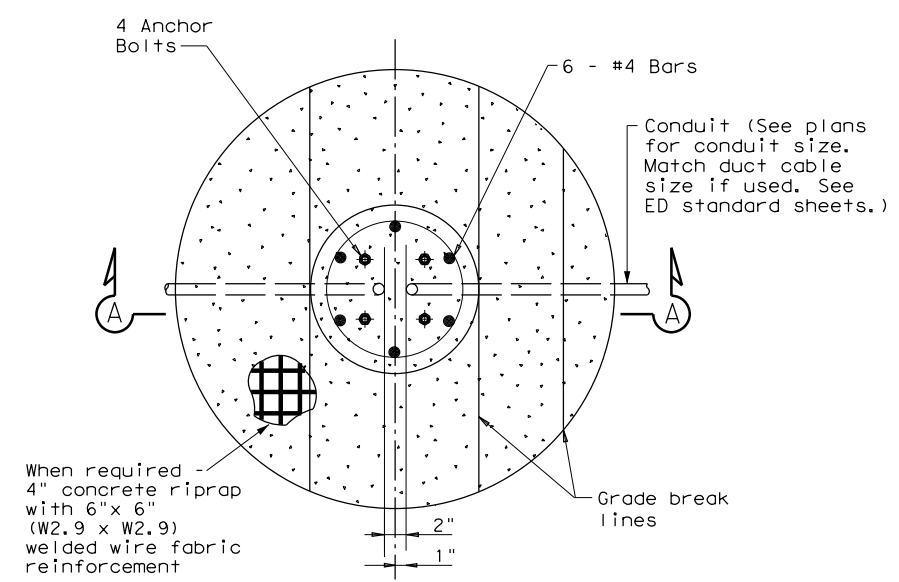
TABLE 3

PAY QUANTITY OF RIPRAP PER FOUNDATION
(Install only when shown on the plans)

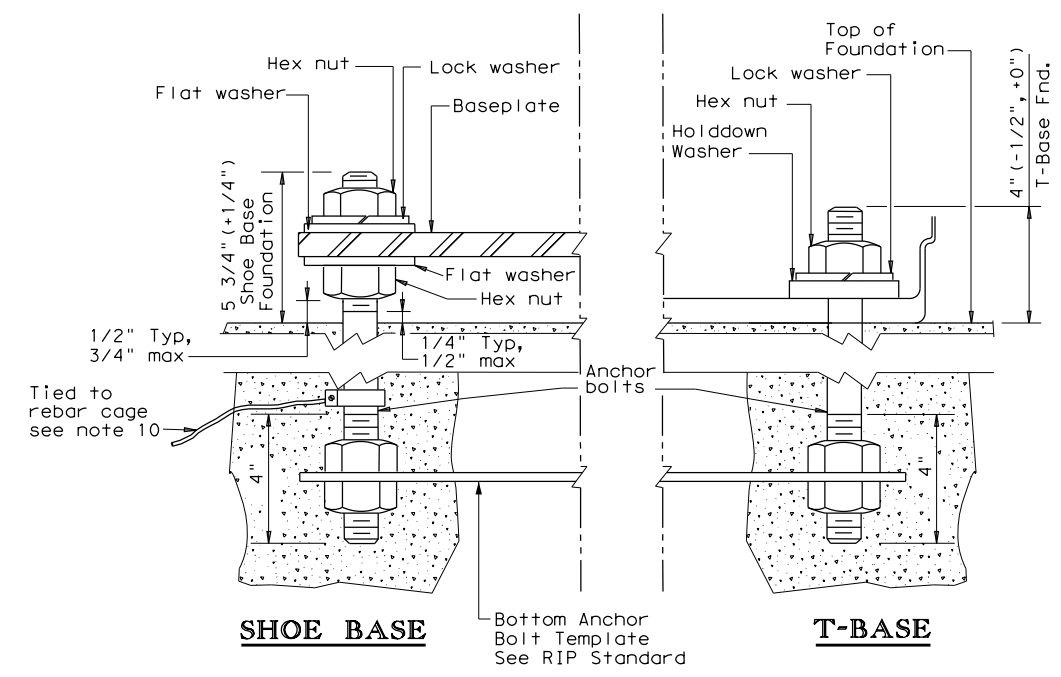
Foundation Diameter	RIPRAP DIAMETER	RIPRAP (CONC) (CL B)
30 in.	78 in.	0.35 CY

GENERAL NOTES:

- "Recommended Foundation Lengths" table is for information purposes only. Foundation lengths shall be as shown on the plans, or as directed by the Engineer. Foundations will be paid for under Item 416, "Drilled Shaft Foundations," unless otherwise shown on the plans.
- Erect roadway illumination assembly poles plumb and true. Form and level the top 6" of the foundation so the pole will be plumb. Use leveling nuts to plumb shoe base poles. Do not use shims or leveling nuts under transformer bases. Do not grout between baseplate and the foundation.
- Ensure Class 2A and 2B fit for anchor bolts and nuts. Tap and chase nuts after galvanizing. Anchor bolt body with rolled threads need not be full size.
- Use appropriate class of concrete as specified in Items 416 and 432. Concrete for riprap may be upgraded to Class C at no extra cost to the Department.
- Place riprap around the foundation when called for elsewhere in the plans. Riprap will be paid for under Item 432.
- Locate breakaway roadway illumination assemblies as shown in the placement table, unless otherwise dimensioned on the plans. Protect non-breakaway illumination assemblies from vehicular impact (i.e. 2.5 ft. behind guard rail or mounted on traffic barrier), or located outside the clear zone, except that 2.5 ft. from curb face is minimum desired for light poles on city streets, 45 mph or less. See Roadway Design Manual for further information.
- Use 4 hold down and 4 connecting washers on transformer base poles as recommended by the manufacturer and supplied with base.
- Install a minimum of 2 conduits in each foundation. See lighting layout sheets for locations of foundations with more than 2 conduits. Cap unused conduits in foundations on both ends.
- Conduit location in foundations is critical for breakaway devices. Place conduits 2 in. apart on centerline as shown.
- Bond anchor bolt to rebar cage with #6 bare stranded copper conductor. Use listed mechanical connectors rated for embedment in concrete. The bonded steel in the foundation creates a concrete encased grounding electrode which replaces the ground rod.
- Grade earthwork around T-base foundations even with the finished grade as shown in Section A-A to ensure proper function of the breakaway device. Use riprap on T-base foundations that are located on sloped grades, and as shown on the plans for level grades.



FOUNDATION DETAIL



ANCHOR BOLT DETAIL

TABLE 4

BREAKAWAY POLE PLACEMENT (See note 6)

ROADWAY FUNCTIONAL CLASSIFICATION	** POLE OFFSET (DISTANCE TO FACE OF TRANSFORMER BASE)
Freeway Mainlanes (roadway with full control of access)	15 ft. (minimum and typical) from lane edge
All curbed, 45 mph or less design speed	2.5 ft. minimum (15 ft. desirable) from curb face
All others	10 ft. minimum*(15 ft. desirable) from lane edge

* or as close to ROW line as is practical

** provide 2/5 of the luminaire mounting height behind the pole for "falling area" to prevent encroachment on the other travel lanes. See design guidelines.

Texas Department of Transportation
 Traffic Safety Division Standard

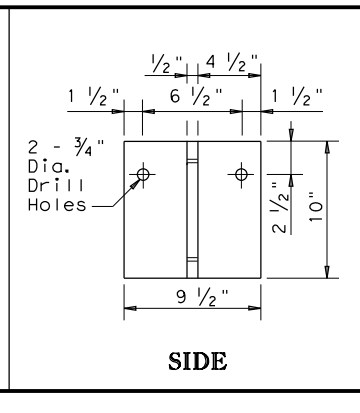
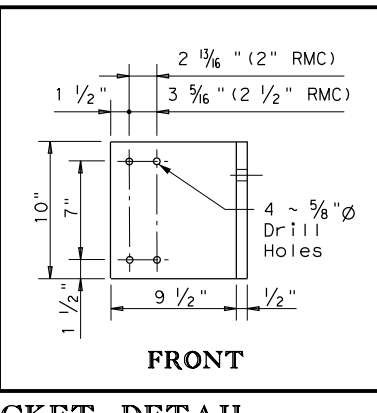
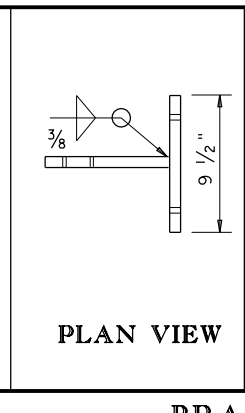
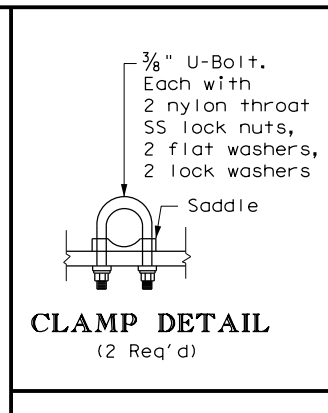
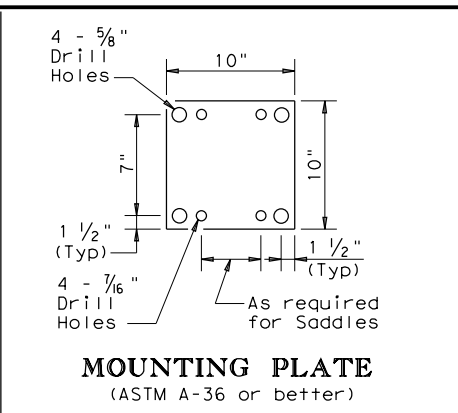
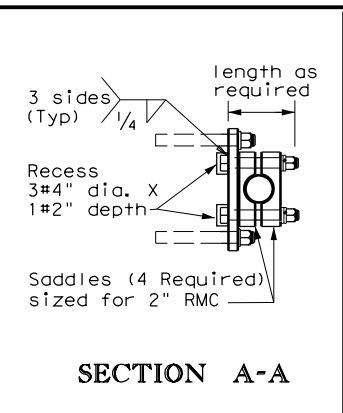
ROADWAY ILLUMINATION DETAILS (RDWY ILLUM FOUNDATIONS)

RID(2)-20

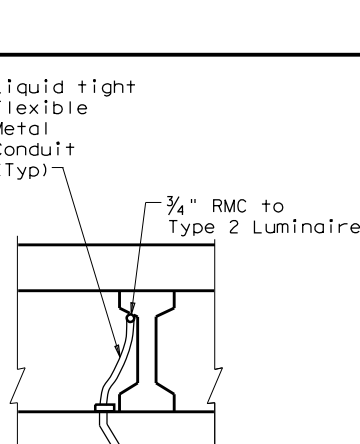
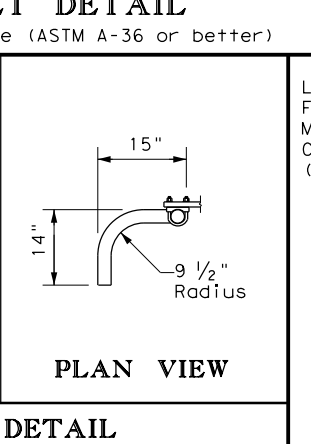
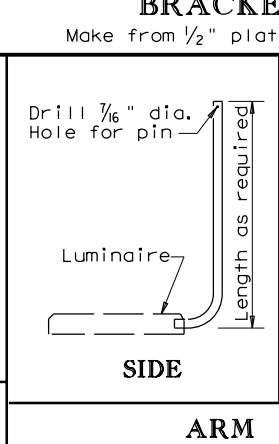
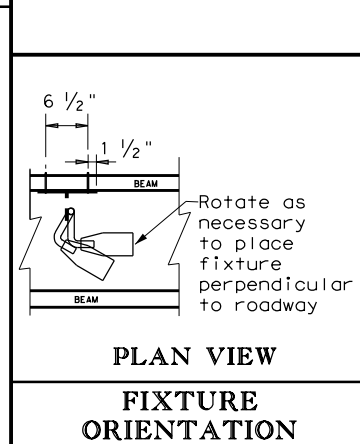
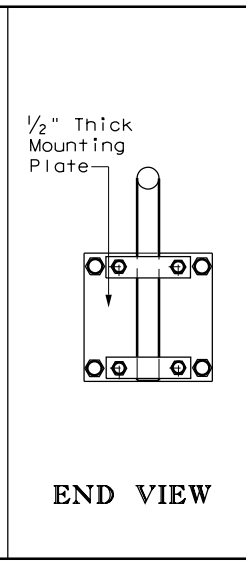
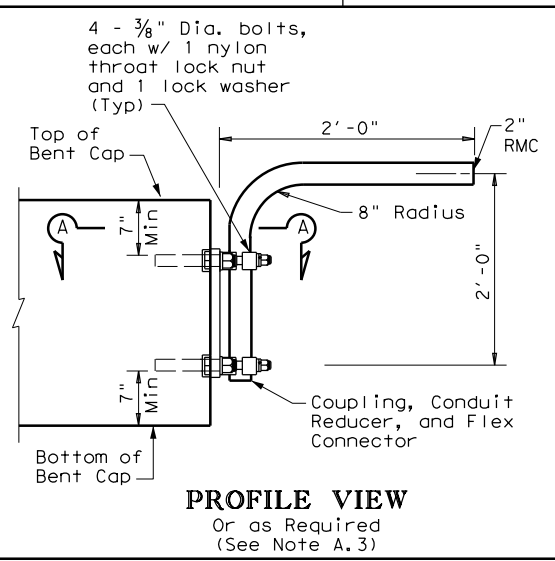
FILE: rid2-20.dgn	DN:	CK:	DW:	CK:
© TxDOT January 2007	CON:	SECT:	JOB:	HIGHWAY:
REVISIONS	0275	01	244	IH 40
1-11	DIST:	COUNTY:	SHEET NO.:	
7-17	AMA	POTTER	131	
12-20				

72B

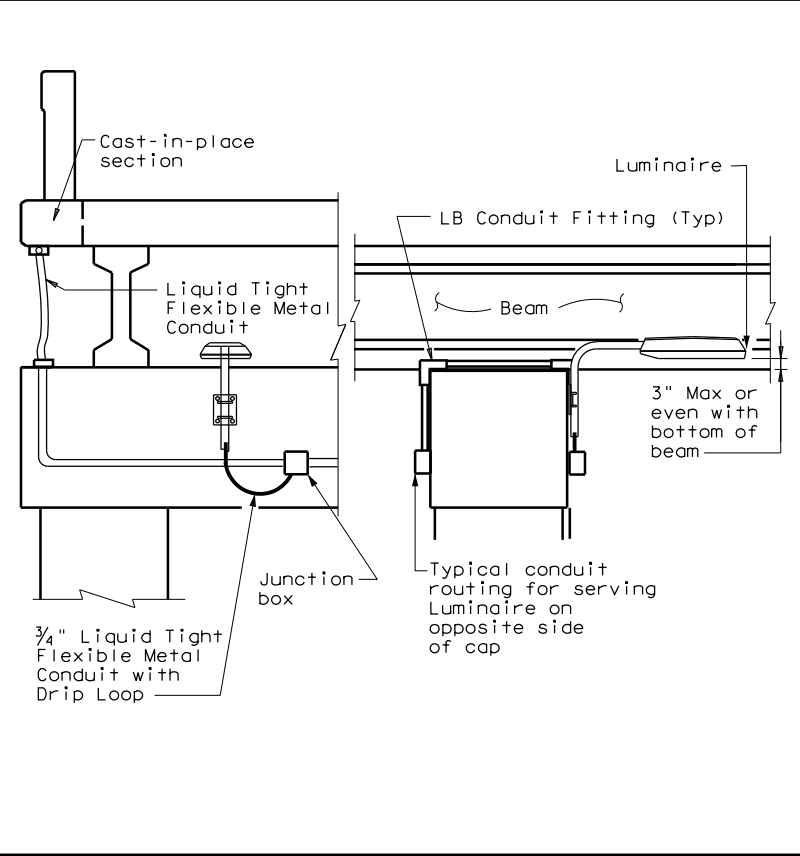
DATE: 2/7/2024 9:48:53 AM
 FILE: K:\01509\01509-0027-10 TxDOT AMA PS&E_IH_40\TRAFFIC\SWA1\Standards\RID(3)-20.dwg
 The use of this standard is governed by the "Texas Engineering Practice Act". No warranty of any kind is made by TxDOT for any purpose whatsoever. TxDOT assumes no responsibility for the conversion of this standard to other formats or for incorrect results or damages resulting from its use.



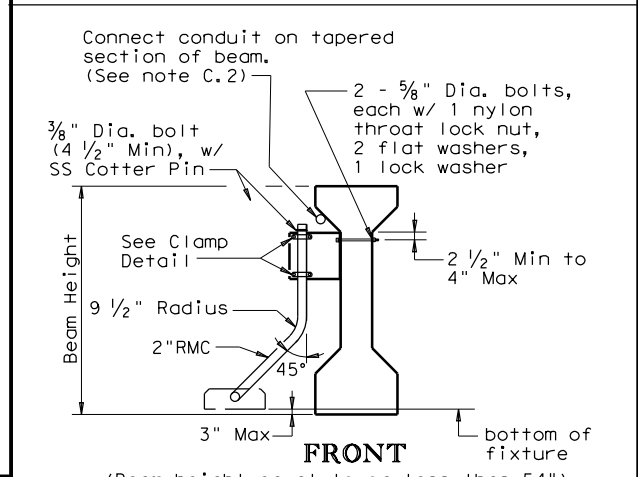
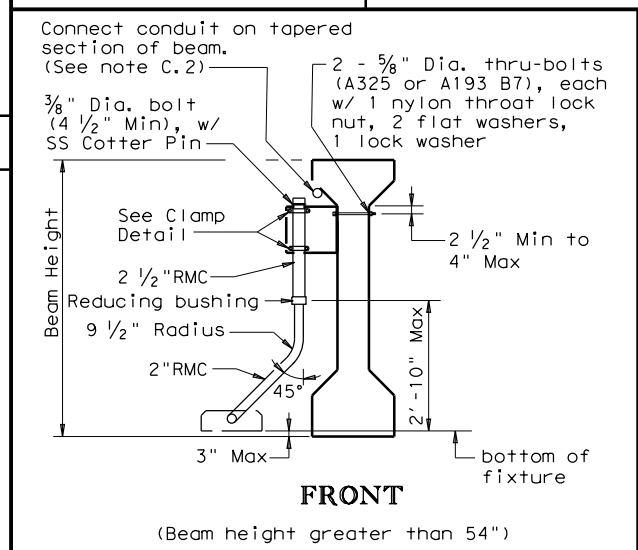
- GENERAL NOTES:**
- A. ALL 150 watt HPS and 150 watt equivalent LED Luminaires**
- Luminaire locations, conduit and conductor sizes and routing are typical and diagrammatic only. See project layout sheets for specific details.
 - Conduit will be paid for under Item 618, "Conduit" and conductors will be paid for under Item 620, "Electrical Conductors," unless otherwise shown on the plans.
 - Adjust conduit in saddles to place fixture height and orientation as required. See fixture orientation detail and plans. Where practicable, place luminaires so the bottom of luminaire is above the bottom of the beam, maximum of 3 in. (See detail UNDERPASS LIGHTING ARM TYPE 2)
 - Except as noted, galvanize all structural steel and exposed bolts, nuts, and washers in accordance with Item 445 "Galvanizing".
 - Fabrication of brackets and support arms will not be paid for directly but is subsidiary to Item 610, "Roadway Illumination Assemblies."
 - Install a heavy duty NEMA 3R fused disconnect or breaker enclosure rated at 30 amps and 480 volts to switch underpass luminaires as shown on plans, with at least one per bridge circuit. Install 20 amp time-delay fuses or inverse-time circuit breakers. Mount disconnect or breaker enclosure 10 ft. (min) above grade on columns or bent caps as approved by the Department. Modify disconnect to allow padlocking in the "ON" and "OFF" positions. Padlocks and disconnect switches or circuit breakers for underpass fixtures will not be paid for directly but are subsidiary to the various bid items of the contract.
 - Conduit on columns, caps, and slab is shown surface mounted. For new columns and caps, embed PVC conduit in concrete. Bond and ground metal junction boxes and conduit.



UNDERPASS LIGHTING ARM



IN RD IL AM (U/P) (TY 1)
If bridge has pre-cast panels under deck, run circuit under deck edge.



IN RD IL AM (U/P) (TY 2)

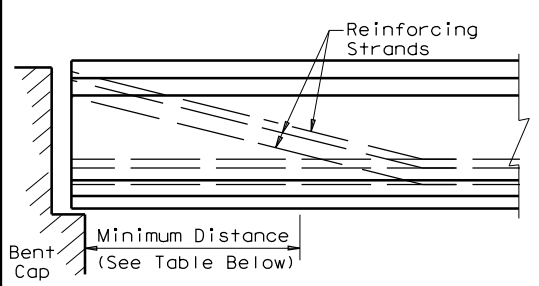
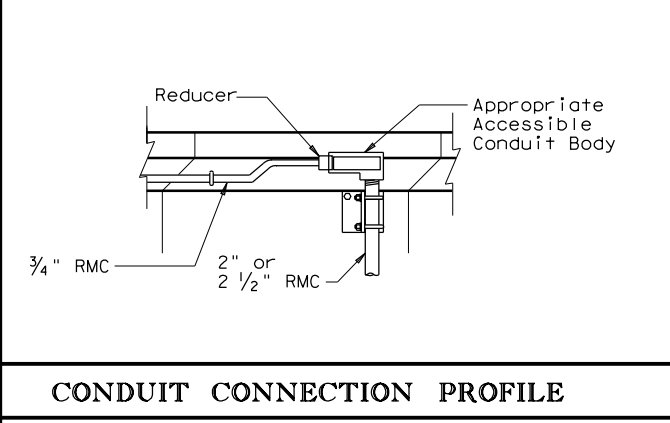
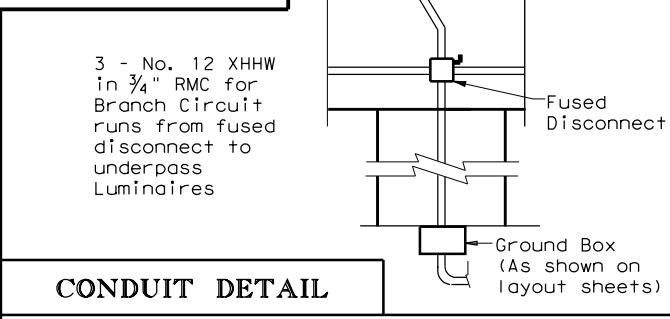


TABLE 5

LOCATION OF UNDERPASS LIGHT MOUNTING BRACKET

SPAN LENGTH	MINIMUM DISTANCE
≤ 50'	10'-0"
50' - 70'	15'-0"
70' - 90'	20'-0"
> 90'	25'-0"

LOCATION OF UNDERPASS LIGHT MOUNTING BRACKET

- B. TYPE 1**
- Provide 2 in. rigid metal conduit (2.375" O.D., 0.146" wall) for Type 1 arm shaft.
 - Use 3/8 in. stainless steel bolt or stud non-epoxy type expansion anchors for concrete for Type 1 mounting. Except as noted, provide an allowable 2650 lbs minimum pull-out force (after consideration of adjustment factors for edge distance and bolt spacing) for each anchor. Install each anchor to the embedment depth recommended by the manufacturer.
 - Attach conduit to plate with 4 saddles, four - 3/8 in. diameter bolts, nylon throat lock nuts, and lock washers.
- C. TYPE 2**
- Provide 2 in. rigid metal conduit (2.375" O.D., 0.146" wall) or provide a combination of 2 1/2 in. (2.875" O.D., 0.193" wall) and 2 in. (2.375" O.D., 0.146" wall) rigid metal conduits with a reducing bushing as beam height stipulated for Type 2 arm shaft. Field cutting and threading will be permitted. Paint cut and threaded areas with zinc rich paint after conduit is connected to adjacent fitting.
 - Connecting conduit may be strapped to tapered section only of precast beams as shown. Anchor as approved by the Engineer. Maximum anchor depth is 1 in.
 - Indiscriminate drilling into precast concrete beams may result in reduced beam strength. Use drilling location and method as directed by the Engineer. See Location of Underpass Lighting Mounting Bracket detail. The locations shown in the table are such that reinforcing strands will not be damaged.

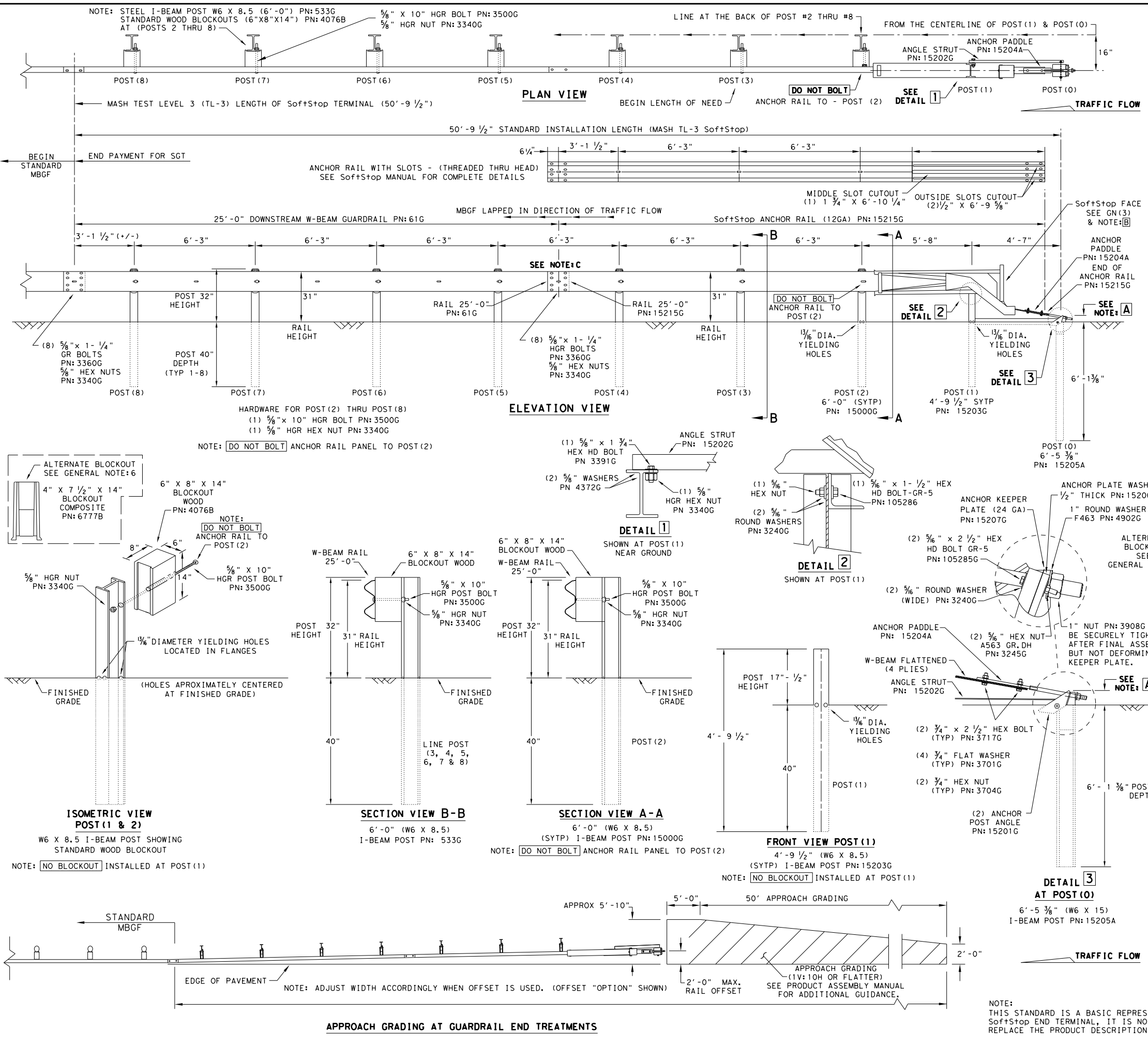
Texas Department of Transportation
Traffic Safety Division Standard

ROADWAY ILLUMINATION DETAILS (UNDERPASS LIGHT FIXTURES)

RID(3)-20

FILE: rid3-20.dgn	DN: TxDOT	CK: TxDOT	DW: TxDOT	CK: TxDOT
© TxDOT May 2013	CONT	SECT	JOB	HIGHWAY
REVISIONS	0275	01	244	IH 40
2-14	DIST	COUNTY	SHEET NO.	
7-17	AMA	POTTER	132	
12-20				

DATE: 2/7/2024 9:48:53 AM
 FILE: K:\01509\01509-0027-10 TxDOT AMA PS&E_IH_40\TRAFFIC\SWA1\Standards\sgt10s3116.dgn



- GENERAL NOTES**
- FOR SPECIFIC INFORMATION REGARDING INSTALLATION AND TECHNICAL GUIDANCE OF THE SYSTEM, CONTACT: TRINITY HIGHWAY AT 1(888)323-6374, 2525 N. STEMMONS FREEWAY, DALLAS, TX 75207
 - FOR INSTALLATION, REPAIR AND MAINTENANCE REFER TO THE; SoftStop END TERMINAL, PRODUCT DESCRIPTION ASSEMBLY MANUAL. PN: 620237B
 - APPLY HIGH INTENSITY REFLECTIVE SHEETING, "OBJECT MARKER" ON THE FRONT FACE OF THE DEVICE PER MANUFACTURER'S RECOMMENDATIONS. OBJECT MARKER SHALL CONFORM TO THE STANDARDS REQUIRED IN TEXAS MUTCD.
 - FOR POST (LEAVE-OUT) INSTALLATION AND GUIDANCE SEE TxDOT'S LATEST ROADWAY MOW STRIP STANDARD.
 - HARDWARE (BOLTS, NUTS, & WASHERS) SHALL BE GALVANIZED IN ACCORDANCE WITH ITEM 445, "GALVANIZING". FITTINGS SHALL BE SUBSIDIARY TO THE BID ITEM.
 - A COMPOSITE MATERIAL BLOCKOUT THAT MEETS THE REQUIREMENTS OF DMS-7210, MAY BE SUBSTITUTED FOR BLOCKOUTS OF SIMILAR DIMENSIONS. SEE CONSTRUCTION DIVISION MATERIAL PRODUCER LIST (MPL) FOR CERTIFIED PRODUCERS.
 - IF SOLID ROCK IS ENCOUNTERED SEE THE MANUFACTURER'S INSTALLATION MANUAL AND REFER TO THE LATEST ROADWAY MBBG STANDARD FOR INSTALLATION GUIDANCE.
 - POSTS SHALL NOT BE SET IN CONCRETE.
 - IT IS ACCEPTABLE TO INSTALL THE SoftStop IMPACT HEAD PARALLEL TO THE GRADE LINE OR WITH AN UPWARD TILT.
 - DO NOT ATTACH THE SoftStop SYSTEM DIRECTLY TO A RIGID BARRIER.
 - UNDER NO CIRCUMSTANCES SHALL THE GUARDRAIL WITHIN THE SoftStop SYSTEM BE CURVED.
 - A FLARE RATE OF UP TO 25:1 MAY BE USED TO PREVENT THE TERMINAL HEAD FROM ENCRoaching ON THE SHOULDER. THE FLARE MAY BE DECREASED OR ELIMINATED FOR SPECIFIC INSTALLATIONS, IF DIRECTED BY THE ENGINEER.

NOTE: A THE INSTALLATION HEIGHT OF FULLY ASSEMBLED ANCHOR POST WILL VARY FROM 3-3/4" MIN. TO 4" MAX. ABOVE FINISHED GRADE.

NOTE: B PART PN: 5852B RIGHT-SIDE (HIGH INTENSITY REFLECTIVE SHEETING) PART PN: 5851B LEFT-SIDE (HIGH INTENSITY REFLECTIVE SHEETING)

NOTE: C W-BEAM SPLICE LOCATED BETWEEN LINE POST (4) AND LINE POST (5) GUARDRAIL PANEL 25'-0" PN: 61G ANCHOR RAIL 25'-0" PN: 15215G LAP GUARDRAIL IN DIRECTION OF TRAFFIC FLOW.

PART	QTY	MAIN SYSTEM COMPONENTS
620237B	1	PRODUCT DESCRIPTION ASSEMBLY MANUAL (LATEST REV.)
15208A	1	SoftStop HEAD (SEE MANUAL FOR RIGHT-LEFT APPROACH)
15215G	1	SoftStop ANCHOR RAIL (12GA) WITH CUTOUT SLOTS
61G	1	SoftStop DOWNSTREAM W-BEAM RAIL (12GA) (25'-0")
15205A	1	POST #0 - ANCHOR POST (6'-5 3/8")
15203G	1	POST #1 - (SYTP) (4'-9 1/2")
15000G	1	POST #2 - (SYTP) (6'-0")
533G	6	POST #3 THRU #8 - I-BEAM (W6 X 8.5) (6'-0")
4076B	7	BLOCKOUT - WOOD (ROUTED) (6" X 8" X 14")
6777B	7	BLOCKOUT - COMPOSITE (4" X 7 1/2" X 14")
15204A	1	ANCHOR PADDLE
15207G	1	ANCHOR KEEPER PLATE (24 GA)
15206G	1	ANCHOR PLATE WASHER (1/2" THICK)
15201G	2	ANCHOR POST ANGLE (10" LONG)
15202G	1	ANGLE STRUT
HARDWARE		
4902G	1	1" ROUND WASHER F436
3908G	1	1" HEAVY HEX NUT A563 GR. DH
3717G	2	3/4" x 2 1/2" HEX BOLT A325
3701G	4	3/4" ROUND WASHER F436
3704G	2	3/4" HEAVY HEX NUT A563 GR. DH
3360G	16	5/8" x 1 1/4" W-BEAM RAIL SPLICE BOLTS HGR
3340G	25	5/8" W-BEAM RAIL SPLICE NUTS HGR
3500G	7	5/8" x 10" HGR POST BOLT A307
3391G	1	5/8" x 1 3/4" HEX HD BOLT A325
4489G	1	5/8" x 9" HEX HD BOLT A325
4372G	4	5/8" WASHER F436
105285G	2	5/8" x 2 1/2" HEX HD BOLT GR-5
105286G	1	5/8" x 1 1/2" HEX HD BOLT GR-5
3240G	6	5/8" ROUND WASHER (WIDE)
3245G	3	5/8" HEX NUT A563 GR. DH
5852B	1	HIGH INTENSITY REFLECTIVE SHEETING - SEE NOTE: B

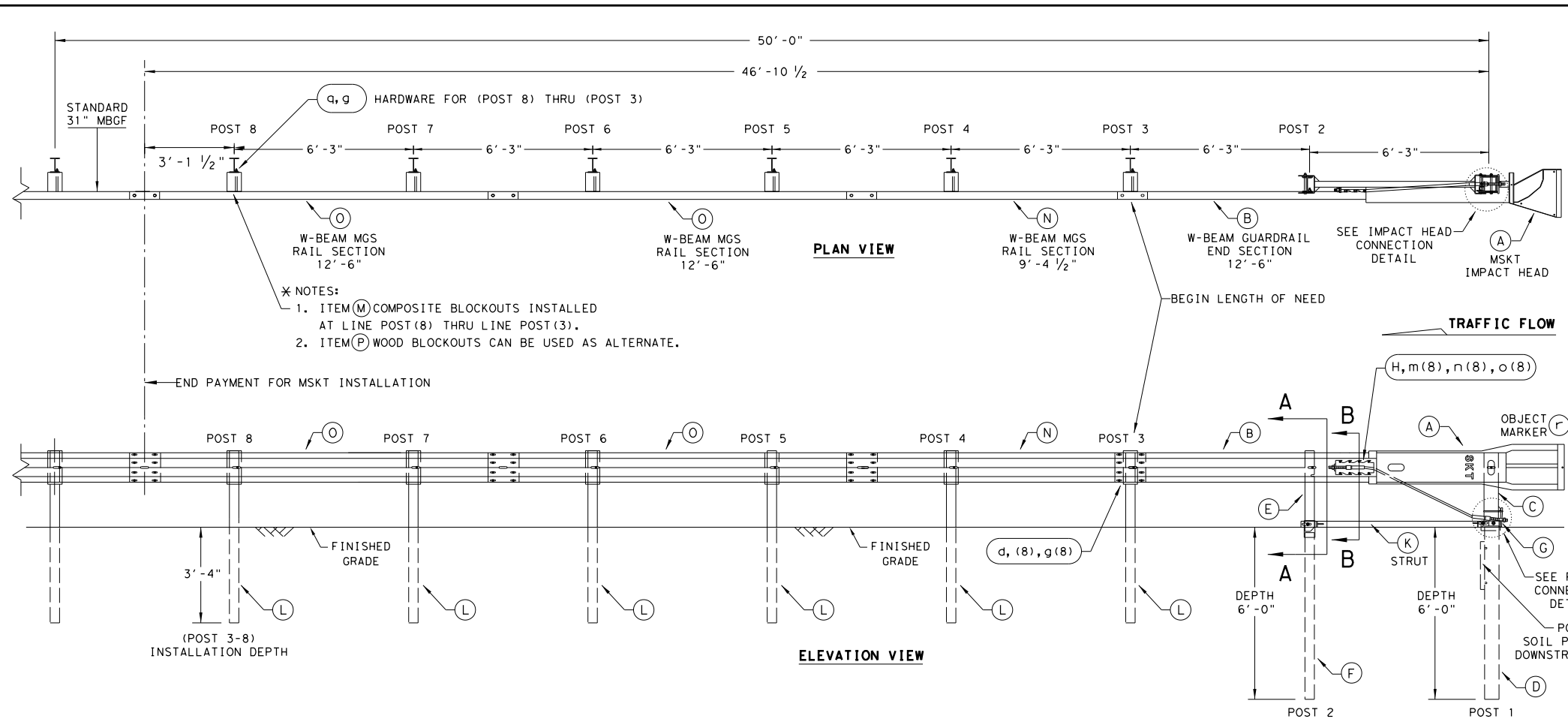
Texas Department of Transportation
 Design Division Standard

**TRINITY HIGHWAY
 SOFTSTOP END TERMINAL
 MASH - TL-3
 SGT (10S) 31-16**

FILE: sgt10s3116	DN: TxDOT	CK: KM	DW: VP	CK: MB/VP
©TxDOT: JULY 2016	CONT	SECT	JOB	HIGHWAY
REVISIONS	0275	01	244	IH 40
	DIST	COUNTY	SHEET NO.	
	AMA	POTTER	133	

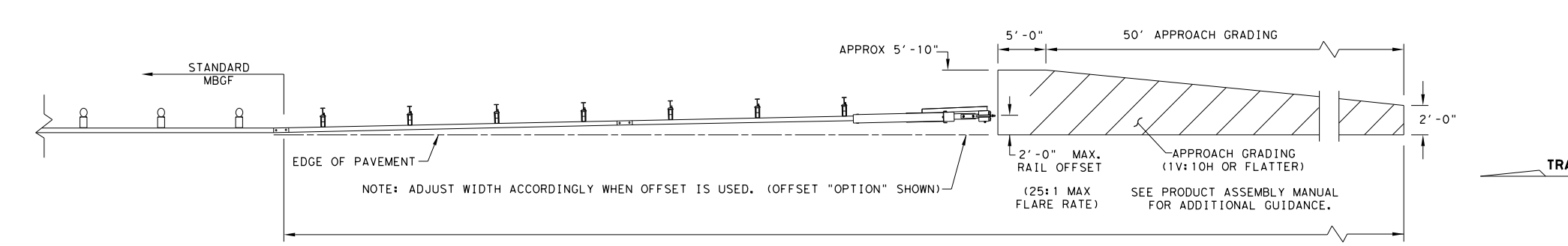
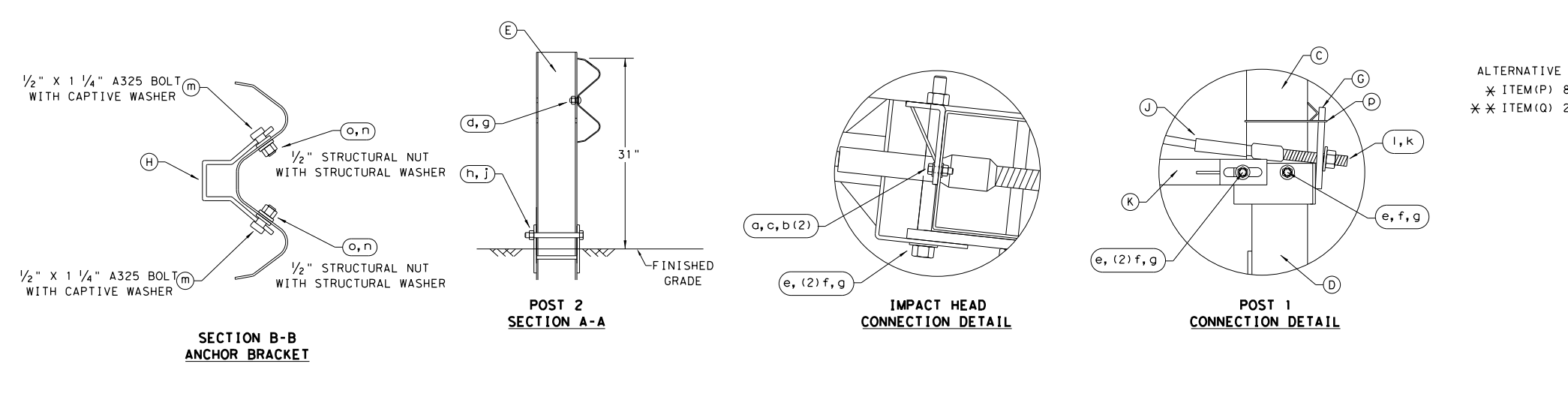
NOTE: THIS STANDARD IS A BASIC REPRESENTATION OF THE SoftStop END TERMINAL, IT IS NOT INTENDED TO REPLACE THE PRODUCT DESCRIPTION ASSEMBLY MANUAL.

DISCLAIMER: THIS STANDARD IS GOVERNED BY THE "TEXAS ENGINEERING PRACTICE ACT". NO WARRANTY OF ANY KIND IS MADE BY TXDOT FOR ANY PURPOSE WHATSOEVER. TXDOT ASSUMES NO RESPONSIBILITY FOR THE CONVERSION OF THIS STANDARD TO OTHER FORMATS OR FOR INCORRECT RESULTS OR DAMAGES RESULTING FROM ITS USE.
 DATE: 2/7/2024
 FILE: K:\01509\01509-0027-10 Txdot AMA PS&E_IH_40\TRAFFIC\SWA1\Standard\sgt12s3118.dgn



- GENERAL NOTES**
- FOR SPECIFIC INFORMATION REGARDING INSTALLATION AND TECHNICAL GUIDANCE OF THE SYSTEM, CONTACT: ROAD SYSTEMS, INC. (432)263-2435. 3616 OLD HOWARD COUNTY AIRPORT, BIG SPRING, TX 79720
 - FOR INSTALLATION, REPAIR AND MAINTENANCE REFER TO THE: MSKT END TERMINAL, PRODUCT DESCRIPTION ASSEMBLY MANUAL (PUBLICATION-062717).
 - APPLY HIGH INTENSITY REFLECTIVE SHEETING, "OBJECT MARKER" ON THE FRONT FACE OF THE DEVICE PER MANUFACTURER'S RECOMMENDATIONS. OBJECT MARKER SHALL CONFORM TO THE STANDARDS REQUIRED IN TEXAS MUTCD.
 - FOR POST (LEAVE-OUT) INSTALLATION AND GUIDANCE SEE TXDOT'S LATEST ROADWAY MOW STRIP STANDARD.
 - HARDWARE (BOLTS, NUTS, & WASHERS) SHALL BE GALVANIZED IN ACCORDANCE WITH ITEM 445, "GALVANIZING". FITTINGS SHALL BE SUBSIDIARY TO THE BID ITEM.
 - SYSTEM SHOWN USING STEEL WIDE FLANGE POSTS WITH COMPOSITE BLOCKOUTS.
 - A COMPOSITE MATERIAL BLOCKOUTS THAT MEETS THE REQUIREMENTS OF DMS-7210, MAY BE SUBSTITUTED FOR BLOCKOUTS OF SIMILAR DIMENSIONS. SEE CONSTRUCTION DIVISION MATERIAL PRODUCER LIST (MPL) FOR CERTIFIED PRODUCERS.
 - IF SOLID ROCK IS ENCOUNTERED IN THE AREA OF (POST 1) AND / OR (POST 2) CONTACT THE MANUFACTURER, & REFER TO THE LATEST ROADWAY MBSGF STANDARD FOR INSTALLATION GUIDANCE.
 - POSTS SHALL NOT BE SET IN CONCRETE.
 - SYSTEM MUST BE ATTACHED TO STANDARD 31" MBSGF.
 - UNDER NO CIRCUMSTANCES SHALL THE GUARDRAIL WITHIN THE MSKT SYSTEM BE CURVED.
 - A FLARE RATE OF UP TO 25:1 MAY BE USED TO PREVENT THE TERMINAL HEAD FROM ENCRoACHING ON THE SHOULDER. THE FLARE MAY BE DECREASED OR ELIMINATED FOR SPECIFIC INSTALLATIONS, IF DIRECTED BY THE ENGINEER.
 - THE SYSTEM IS SHOWN WITH TWO 12'-6" MBSGF PANELS, ONE 25'-0" MBSGF PANEL IS ALSO ALLOWED IN ITS PLACE.
 - A DRIVING CAP WITH A TIMBER OR PLASTIC INSERT SHALL BE USED WHEN DRIVING POSTS 3-8 TO PREVENT DAMAGE TO THE GALVANIZING ON TOP OF THE POST. SPECIAL DRIVING CAP TO BE USED ON LOWER POSTS 1 & 2 TO PREVENT DAMAGE TO THE WELDED PLATES.

ITEM	QTY	MAIN SYSTEM COMPONENTS	ITEM NUMBERS
A	1	MSKT IMPACT HEAD	MS3000
B	1	W-BEAM GUARDRAIL END SECTION, 12 Go.	SF1303
C	1	POST 1 - TOP (6" X 6" X 1/8" TUBE)	MTPHP1A
D	1	POST 1 - BOTTOM (6' W6X15)	MTPHP1B
E	1	POST 2 - ASSEMBLY TOP	UHP2A
F	1	POST 2 - ASSEMBLY BOTTOM (6' W6X9)	HP2B
G	1	BEARING PLATE	E750
H	1	CABLE ANCHOR BOX	S760
J	1	BCT CABLE ANCHOR ASSEMBLY	E770
K	1	GROUND STRUT	MS785
L	6	W6X9 OR W6X8.5 STEEL POST	P621
M	6	COMPOSITE BLOCKOUTS	CBSP-14
N	1	W-BEAM MGS RAIL SECTION (9'-4 1/2")	G12025
O	2	W-BEAM MGS RAIL SECTION (12'-6")	G1203A
P	6	WOOD BLOCKOUT 6" X 8" X 14"	P675
Q	1	W-BEAM MGS RAIL SECTION (25'-0")	G1209
SMALL HARDWARE			
a	2	5/8" x 1" HEX BOLT (GRD 5)	B5160104A
b	4	5/8" WASHER	W0516
c	2	5/8" HEX NUT	N0516
d	25	5/8" Dia. x 1 1/4" SPLICE BOLT (POST 2)	B580122
e	2	5/8" Dia. x 9" HEX BOLT (GRD A449)	B580904A
f	3	5/8" WASHER	W050
g	33	5/8" Dia. H.G.R NUT	N050
h	1	3/4" Dia. x 8 1/2" HEX BOLT (GRD A449)	B340854A
j	1	3/4" Dia. HEX NUT	N030
k	2	1 ANCHOR CABLE HEX NUT	N100
l	2	1 ANCHOR CABLE WASHER	W100
m	8	1/2" x 1 1/4" A325 BOLT WITH CAPTIVE WASHER	SB12A
n	8	1/2" STRUCTURAL NUTS	N012A
o	8	1 1/8" O.D. x 3/8" I.D. STRUCTURAL WASHERS	W012A
p	1	BEARING PLATE RETAINER TIE	CT-100ST
q	6	5/8" x 10" H.G.R. BOLT	B581002
r	1	OBJECT MARKER 18" X 18"	E3151



SINGLE GUARDRAIL TERMINAL

MSKT-MASH-TL-3

SGT (12S) 31-18

DISCLAIMER: The use of this standard is governed by the "Texas Engineering Practice Act". No warranty of any kind is made by TxDOT for any purpose whatsoever. TxDOT assumes no responsibility for the conversion of this standard to other formats or for incorrect results or damages resulting from its use.

DATE: 2/7/2024 9:48:54 AM
 FILE: K:\01509\01509-0027-10 TxDOT AMA PS&E_IH_40_TRAFFIC\SWA1\Standards\wv iz-14.dwg

APPLICABLE STANDARDS SHEETS

OVERHEAD SIGN BRIDGE STANDARDS:

- OSB-SE
- OSB-Z#
- OSB-Z#1
- HOSB-Z#
- HOSB-Z1L
- HOSB-Z#1
- OSBT
- OSBC
- OSBC-SC-Z#
- OSBS-SC
- OSB-FD
- OSB-FD-SC

CANTILEVER OVERHEAD SIGN SUPPORT STANDARDS:

- COSS-SE
- COSS-Z#-10
- HCOSS-Z#-10
- COSS-Z21-10
- COSS-Z#&Z#1-10
- COSSD
- COSSF
- COSS-FD

Note: # = Wind Zone number 1, 2, 3 or 4

HIGH MAST ILLUMINATION POLE STANDARDS:

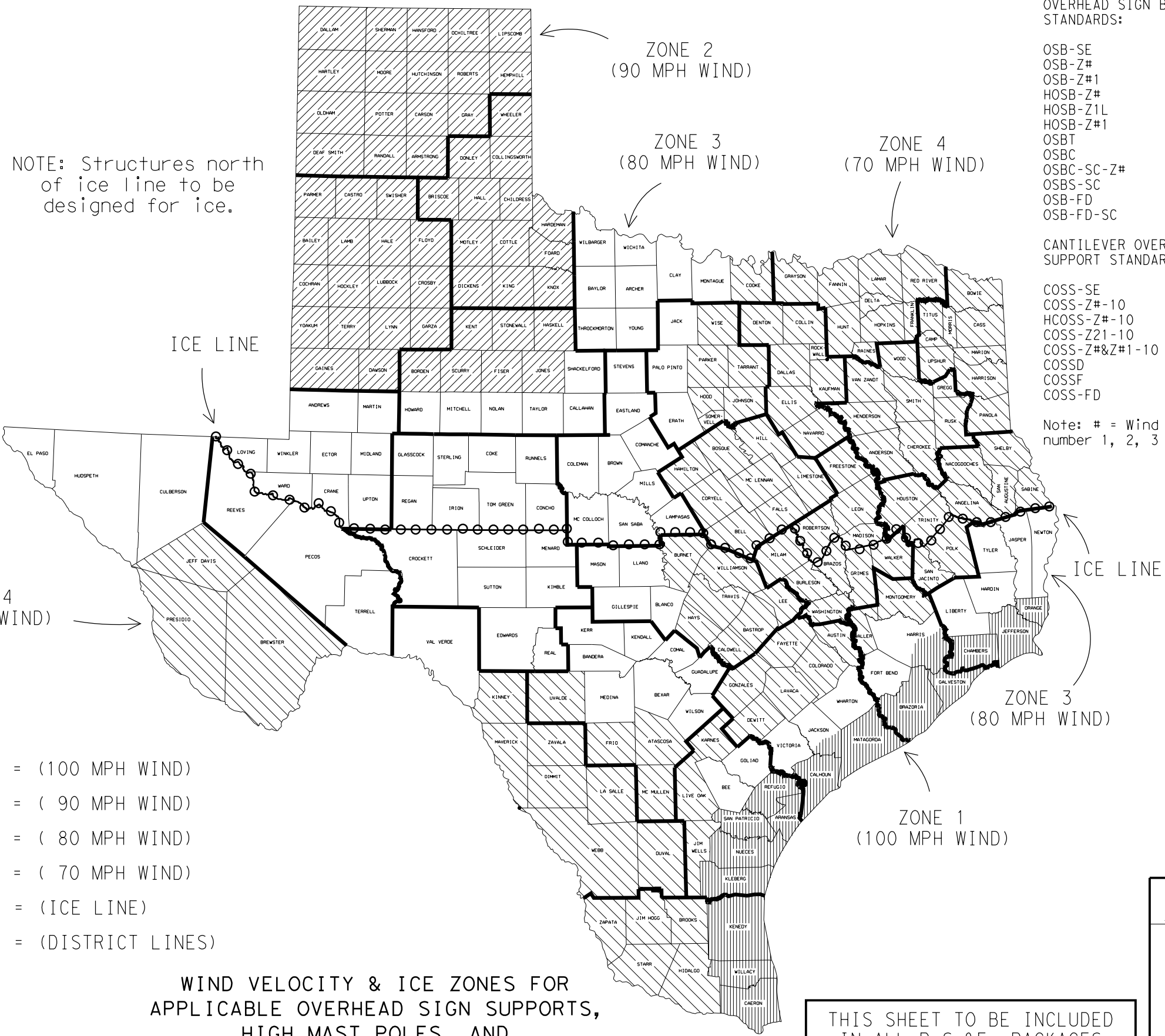
- HMIP-98
- HMIF-98

WALKWAYS AND BRACKETS STANDARDS:

- SWW
- SB(SWL-1)

TRAFFIC SIGNAL POLE STANDARDS:

- SP-80
- SP-100
- SMA-80
- SMA-100
- DMA-80
- DMA-100
- MA-C
- MAC (ILSN)
- MAD-D
- TS-FD
- LUM-A
- CFA
- LMA
- TS-C
- MA-DPD



NOTE: Structures north of ice line to be designed for ice.

LEGEND

- ZONE 1 - [diagonal lines] = (100 MPH WIND)
- ZONE 2 - [diagonal lines] = (90 MPH WIND)
- ZONE 3 - [white box] = (80 MPH WIND)
- ZONE 4 - [diagonal lines] = (70 MPH WIND)
- [dashed line with circles] = (ICE LINE)
- [solid black line] = (DISTRICT LINES)

WIND VELOCITY & ICE ZONES FOR APPLICABLE OVERHEAD SIGN SUPPORTS, HIGH MAST POLES, AND TRAFFIC SIGNAL POLES

Based on 50 Year Mean Recurrence Interval of Fastest Mile Wind Velocity at 33 feet height.

THIS SHEET TO BE INCLUDED IN ALL P.S.&E. PACKAGES CONTAINING ONE OR MORE OF THE APPLICABLE STANDARD SHEETS LISTED HEREON

FOR HARRIS CO. ONLY
 Zone line is just North of US 90, around the North, West and South sides of IH 610 and down the West side of SH 288.

FOR JACKSON CO. ONLY
 Zone line is just North of SH 616.

		Traffic Operations Division Standard	
<h2>WIND VELOCITY AND ICE ZONES</h2> <h3>WV & IZ-14</h3>			
FILE: windice.dgn	DN: TxDOT	CK: TxDOT	DW: TxDOT
©TxDOT April 1996	CON: 0275	SECT: 01	JOB: 244
REVISIONS 8-14-Added list of applicable standards, restricting use to structures designed for Fastest Mile wind speeds.		COUNTY: POTTER	SHEET NO.: 135

DISCLAIMER: The use of this standard is governed by the "Texas Engineering Practice Act". No warranty of any kind is made by TxDOT for any purpose whatsoever. TxDOT assumes no responsibility for the conversion of this standard to other formats or for incorrect results or damages resulting from its use.

DATE: 2/7/2024
 FILE: K:\01509\01509-0027-10 TxDOT AMA PS&E IH 40\TRAFFIC\SWA1\Standards\epic.dgn

I. STORMWATER POLLUTION PREVENTION-CLEAN WATER ACT SECTION 402

TPDES TXR 150000: Stormwater Discharge Permit or Construction General Permit required for projects with 1 or more acres disturbed soil. Projects with any disturbed soil must protect for erosion and sedimentation in accordance with Item 506.

List MS4 Operator(s) that may receive discharges from this project. They may need to be notified prior to construction activities.

1. City of Amarillo

2. No Action Required Required Action

Action No.

- Prevent stormwater pollution by controlling erosion and sedimentation in accordance with TPDES Permit TXR 150000
- Comply with the SW3P and revise when necessary to control pollution or required by the Engineer.
- Post Construction Site Notice (CSN) with SW3P information on or near the site, accessible to the public and TCEQ, EPA or other inspectors.
- When Contractor project specific locations (PSL's) increase disturbed soil area to 5 acres or more, submit NOI to TCEQ and the Engineer.

II. WORK IN OR NEAR STREAMS, WATERBODIES AND WETLANDS CLEAN WATER ACT SECTIONS 401 AND 404

USACE Permit required for filling, dredging, excavating or other work in any water bodies, rivers, creeks, streams, wetlands or wet areas.

The Contractor must adhere to all of the terms and conditions associated with the following permit(s):

- No Permit Required
- Nationwide Permit 14 - PCN not Required (less than 1/10th acre waters or wetlands affected)
- Nationwide Permit 14 - PCN Required (1/10 to <1/2 acre, 1/3 in tidal waters)
- Individual 404 Permit Required
- Other Nationwide Permit Required: NWP# _____

Required Actions: List waters of the US permit applies to, location in project and check Best Management Practices planned to control erosion, sedimentation and post-project TSS.

-
-
-
-

The elevation of the ordinary high water marks of any areas requiring work to be performed in the waters of the US requiring the use of a nationwide permit can be found on the Bridge Layouts.

Best Management Practices:

Erosion	Sedimentation	Post-Construction TSS
<input type="checkbox"/> Temporary Vegetation	<input type="checkbox"/> Silt Fence	<input type="checkbox"/> Vegetative Filter Strips
<input type="checkbox"/> Blankets/Matting	<input type="checkbox"/> Rock Berm	<input type="checkbox"/> Retention/Irrigation Systems
<input type="checkbox"/> Mulch	<input type="checkbox"/> Triangular Filter Dike	<input type="checkbox"/> Extended Detention Basin
<input type="checkbox"/> Sodding	<input type="checkbox"/> Sand Bag Berm	<input type="checkbox"/> Constructed Wetlands
<input type="checkbox"/> Interceptor Swale	<input type="checkbox"/> Straw Bale Dike	<input type="checkbox"/> Wet Basin
<input type="checkbox"/> Diversion Dike	<input type="checkbox"/> Brush Berms	<input type="checkbox"/> Erosion Control Compost
<input type="checkbox"/> Erosion Control Compost	<input type="checkbox"/> Erosion Control Compost	<input type="checkbox"/> Mulch Filter Berm and Socks
<input type="checkbox"/> Mulch Filter Berm and Socks	<input type="checkbox"/> Mulch Filter Berm and Socks	<input type="checkbox"/> Compost Filter Berm and Socks
<input type="checkbox"/> Compost Filter Berm and Socks	<input type="checkbox"/> Compost Filter Berm and Socks	<input type="checkbox"/> Vegetation Lined Ditches
	<input type="checkbox"/> Stone Outlet Sediment Traps	<input type="checkbox"/> Sand Filter Systems
	<input type="checkbox"/> Sediment Basins	<input type="checkbox"/> Grassy Swales

III. CULTURAL RESOURCES

Refer to TxDOT Standard Specifications in the event historical issues or archeological artifacts are found during construction. Upon discovery of archeological artifacts (bones, burnt rock, flint, pottery, etc.) cease work in the immediate area and contact the Engineer immediately.

No Action Required Required Action

Action No.
1. In the event that unanticipated archeological deposits are encountered during construction, work in the immediate area will cease and TxDOT archeological staff will be contacted to initiate post-review discovery procedures.

IV. VEGETATION RESOURCES

Preserve native vegetation to the extent practical. Contractor must adhere to Construction Specification Requirements Specs 162, 164, 192, 193, 506, 730, 751, 752 in order to comply with requirements for invasive species, beneficial landscaping, and tree/brush removal commitments.

No Action Required Required Action

Action No.
1. Comply with Executive Order 13112 on Invasive Species and the intent of the Executive Order Memorandum on Beneficial Landscapes for re-vegetating the project area. The proposed seed mixture (both grasses and forbs) would be in accordance with Item 164, Seeding for Erosion Control in TxDOT's Standard Specifications for the construction of Highways, Streets, and Bridges.

V. FEDERAL LISTED, PROPOSED THREATENED, ENDANGERED SPECIES, CRITICAL HABITAT, STATE LISTED SPECIES, CANDIDATE SPECIES AND MIGRATORY BIRDS.

No Action Required Required Action

Action No.

- If any species on the Potter County Threatened & Endangered List is sighted in the project area during construction, stop construction and notify the Area Engineer.
- Eastern Spotted Skunk, Swift Fox: Contractors will be advised of potential occurrence in the project area, and to avoid harming the species if encountered, and to avoid unnecessary impacts to dens.
- Woodhouse's Toad, Texas Horned Lizard, Western Box Turtle, Western Hognose Snake, Western Massasauga, Prairie Rattlesnake: Contractors will be advised of potential occurrence in the project area, and to avoid harming the species if encountered.
- Bird BMP's: a) Do not disturb, destroy, or remove active nests, including ground nesting birds, during the nesting season; b) avoid the removal of unoccupied, inactive nests, as practicable; c) do not collect, capture, relocate, or transport birds, eggs, young, or active nests without a permit.
- The Migratory Bird Treaty Act of 1918 states that it is unlawful to kill, capture, collect, possess, buy, sell, trade, or transport any migratory bird, nest, young, feather, egg in part or in whole, without a Federal permit issued in accordance within the Act's policies and regulations. In the event that migratory birds are encountered on-site during project construction, adverse impacts on protected birds, active nests, eggs, and/or young would be avoided.

If any of the listed species are observed, cease work in the immediate area, do not disturb species or habitat and contact the Engineer immediately. The work may not remove active nests from bridges and other structures during nesting season of the birds associated with the nests. If caves or sinkholes are discovered, cease work in the immediate area, and contact the Engineer immediately.

LIST OF ABBREVIATIONS

BMP: Best Management Practice	SPCC: Spill Prevention Control and Countermeasure
CGP: Construction General Permit	SW3P: Storm Water Pollution Prevention Plan
DSHS: Texas Department of State Health Services	PCN: Pre-Construction Notification
FHWA: Federal Highway Administration	PSL: Project Specific Location
MOA: Memorandum of Agreement	TCEQ: Texas Commission on Environmental Quality
MOU: Memorandum of Understanding	TPDES: Texas Pollutant Discharge Elimination System
MS4: Municipal Separate Stormwater Sewer System	TPWD: Texas Parks and Wildlife Department
MBTA: Migratory Bird Treaty Act	TxDOT: Texas Department of Transportation
NOT: Notice of Termination	T&E: Threatened and Endangered Species
NWP: Nationwide Permit	USACE: U.S. Army Corps of Engineers
NOI: Notice of Intent	USFWS: U.S. Fish and Wildlife Service

VI. HAZARDOUS MATERIALS OR CONTAMINATION ISSUES

General (applies to all projects):

Comply with the Hazard Communication Act (the Act) for personnel who will be working with hazardous materials by conducting safety meetings prior to beginning construction and making workers aware of potential hazards in the workplace. Ensure that all workers are provided with personal protective equipment appropriate for any hazardous materials used. Obtain and keep on-site Material Safety Data Sheets (MSDS) for all hazardous products used on the project, which may include, but are not limited to the following categories: Paints, acids, solvents, asphalt products, chemical additives, fuels and concrete curing compounds or additives. Provide protected storage, off bare ground and covered, for products which may be hazardous. Maintain product labelling as required by the Act. Maintain an adequate supply of on-site spill response materials, as indicated in the MSDS. In the event of a spill, take actions to mitigate the spill as indicated in the MSDS, in accordance with safe work practices, and contact the District Spill Coordinator immediately. The Contractor shall be responsible for the proper containment and cleanup of all product spills.

Contact the Engineer if any of the following are detected:

- * Dead or distressed vegetation (not identified as normal)
- * Trash piles, drums, canister, barrels, etc.
- * Undesirable smells or odors
- * Evidence of leaching or seepage of substances

Does the project involve any bridge class structure rehabilitation or replacements (bridge class structures not including box culverts)?

Yes No

If "No", then no further action is required.

If "Yes", then TxDOT is responsible for completing asbestos assessment/inspection.

Are the results of the asbestos inspection positive (is asbestos present)?

Yes No

If "Yes", then TxDOT must retain a DSHS licensed asbestos consultant to assist with the notification, develop abatement/mitigation procedures, and perform management activities as necessary. The notification form to DSHS must be postmarked at least 15 working days prior to scheduled demolition.

If "No", then TxDOT is still required to notify DSHS 15 working days prior to any scheduled demolition.

In either case, the Contractor is responsible for providing the date(s) for abatement activities and/or demolition with careful coordination between the Engineer and asbestos consultant in order to minimize construction delays and subsequent claims.

Any other evidence indicating possible hazardous materials or contamination discovered on site. Hazardous Materials or Contamination Issues Specific to this Project:

No Action Required Required Action

Action No.

-
-
-

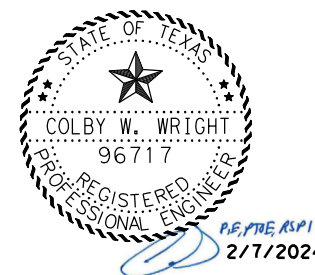
VII. OTHER ENVIRONMENTAL ISSUES

(includes regional issues such as Edwards Aquifer District, etc.)

No Action Required Required Action

Action No.

-
-
-



		Design Division Standard		
ENVIRONMENTAL PERMITS, ISSUES AND COMMITMENTS EPIC				
FILE: epic.dgn	DN: TxDOT	CK: RG	DW: VP	CK: AR
©TxDOT: February 2015	CONT	SECT	JOB	HIGHWAY
12-12-2011 IDS REVISIONS	0275	01	244	IH 40
05-07-14 ADDED NOTE SECTION IV.	DIST	COUNTY	SHEET NO.	
01-23-2015 SECTION I (CHANGED ITEM 1122 TO ITEM 506, ADDED GRASSY SWALES.	AMA	POTTER	136	

STORMWATER POLLUTION PREVENTION PLAN (SWP3):

This SWP3 has been developed in accordance with TxDOT policy for projects disturbing less than 1 acre of soil, and not part of a larger common plan of development.

For projects with less than one acre of soil disturbing activity and that have Environmental, Permits, Issues, and Commitments (EPICs) dependent on stormwater controls and water quality measures TxDOT will maintain a SWP3 with all pertinent records, correspondence, environmental documents, etc. at the project field office, Area Office, or electronically.

This SWP3 is consistent with requirements specified in applicable stormwater plans, and the project's environmental permits, issues, and commitments (EPICs).

1.0 SITE/PROJECT DESCRIPTION

1.1 PROJECT CONTROL SECTION JOB (CSJ):
0275-01-244

1.2 PROJECT LIMITS:

From: East of Hope Road

To: US 287 Interchange

1.3 PROJECT COORDINATES:

BEGIN: (Lat) 35.187269, (Long) -101.945979

END: (Lat) 35.192754, (Long) -101.695830

1.4 TOTAL PROJECT AREA (Acres): 10

1.5 TOTAL AREA TO BE DISTURBED (Acres): 0.5

1.6 NATURE OF CONSTRUCTION ACTIVITY:

Construction of High Mast Illumination, Underpass Illumination Standard Illumination, and Metal Beam Guard Fence.

1.7 MAJOR SOIL TYPES:

Soil Type	Description
Potter Co.- Pantex silty clay loam	0-1% slopes; 0-7" silty clay loam, 7-34" silty clay.

1.8 PROJECT SPECIFIC LOCATIONS (PSLs):

PSLs must be depicted on the Environmental Layout Sheets in Attachment 1.2 of this SWP3. PSLs may be identified during preconstruction meetings or during the construction process. Please choose from the options below:

- PSLs determined during preconstruction meeting
- PSLs determined during construction
- No PSLs planned for construction

Type	Sheet #s

All off-ROW PSLs required by the Contractor are the Contractor's responsibility. The Contractor shall secure all permits required by local, state, federal laws for off-ROW PSLs. The contractor shall provide diagrams, areas of disturbance, acreage, and BMPs for all off-ROW PSLs within one mile of the project.

1.9 CONSTRUCTION ACTIVITIES:

(Use the following list as a starting point when developing the Construction Activity Schedule and Ceasing Record in Attachment 2.3.)

- Mobilization
- Install sediment and erosion controls
- Blade existing topsoil into windrows, prep ROW, clear and grub
- Remove existing pavement
- Grading operations, excavation, and embankment
- Excavate and prepare subgrade for proposed pavement widening
- Remove existing culverts, safety end treatments (SETs)
- Remove existing metal beam guard fence (MBGF), bridge rail
- Install proposed pavement per plans
- Install culverts, culvert extensions, SETs
- Install mow strip, MBGF, bridge rail
- Place flex base
- Rework slopes, grade ditches
- Blade windrowed material back across slopes
- Revegetation of unpaved areas
- Achieve site stabilization and remove sediment and erosion control measures
- Other: Drilling Foundations, Boring and Trenching Conduit, and Installing Ground Boxes.

Other: _____

Other: _____

1.10 POTENTIAL POLLUTANTS AND SOURCES:

- Sediment laden stormwater from stormwater conveyance over disturbed area
- Fuels, oils, and lubricants from construction vehicles, equipment, and storage
- Solvents, paints, adhesives, etc. from various construction activities
- Transported soils from offsite vehicle tracking
- Construction debris and waste from various construction activities
- Contaminated water from excavation or dewatering pump-out water
- Sanitary waste from onsite restroom facilities
- Trash from various construction activities/receptacles
- Long-term stockpiles of material and waste
- Discharges from concrete washout activities, runoff from concrete cutting activities, and other concrete related activities
- Other: _____
- Other: _____
- Other: _____

1.11 RECEIVING WATERS:

Receiving waters must be depicted on the Environmental Layout Sheets in Attachment 1.2 of this SWP3. Include Segment # for receiving waters.

Tributaries	Classified Waterbody
West Amarillo Creek	Unclassified
Non-jurisdictional Playas	

* Add (*) for impaired waterbodies with pollutant in ().

1.12 ROLES AND RESPONSIBILITIES: TxDOT

- Development of plans and specifications
- Perform SWP3 inspections
- Maintain SWP3 records and update to reflect daily operations
- Other: Less than 1 acre of disturbed area including PSLs within 1 mile needs no posting on the project. Binder needs to be maintained and inspection completed by TxDOT weekly.
- Other: _____

1.13 ROLES AND RESPONSIBILITIES: CONTRACTOR

- Day To Day Operational Control
- Maintain schedule of major construction activities
- Install, maintain and modify BMPs
- Other: Less than 1 acre of disturbed area including PSLs within 1 mile needs no posting on the project. Binder needs to be maintained and inspection completed by TxDOT weekly.
- Other: _____



STORMWATER POLLUTION PREVENTION PLAN (SWP3) (Less Than 1 Acre)

FED. RD. DIV. NO.	PROJECT NO.			SHEET NO.
				137
STATE	STATE DIST.	COUNTY		
TEXAS	AMA	POTTER		
CONT.	SECT.	JOB	HIGHWAY NO.	
0275	01	244	IH 40	

STORMWATER POLLUTION PREVENTION PLAN (SWP3):

2.0 BEST MANAGEMENT PRACTICES (BMPs) AND CONTROLS, INSPECTION, AND MAINTENANCE

The Contractor shall be the responsible party for implementing the BMPs described herein and for complying with the SWP3 for control of erosion and sedimentation during day-to-day operations. The Contractor shall implement changes to this SWP3 approved by TxDOT within the times specified in this SWP3 or the CGP.

2.1 EROSION CONTROL AND SOIL STABILIZATION BMPs:

T / P

- Protection of Existing Vegetation
- Vegetated Buffer Zones
- Soil Retention Blankets
- Geotextiles
- Mulching/ Hydromulching
- Soil Surface Treatments
- Temporary Seeding
- Permanent Planting, Sodding or Seeding
- Biodegradable Erosion Control Logs
- Rock Filter Dams/ Rock Check Dams
- Vertical Tracking
- Interceptor Swale
- Riprap
- Diversion Dike
- Temporary Pipe Slope Drain
- Embankment for Erosion Control
- Paved Flumes
- Other: _____
- Other: _____
- Other: _____
- Other: _____

2.2 SEDIMENT CONTROL BMPs:

T / P

- Biodegradable Erosion Control Logs
- Dewatering Controls
- Inlet Protection
- Rock Filter Dams/ Rock Check Dams
- Sandbag Berms
- Sediment Control Fence
- Stabilized Construction Exit
- Floating Turbidity Barrier
- Vegetated Buffer Zones
- Vegetated Filter Strips
- Other: _____
- Other: _____
- Other: _____
- Other: _____

Refer to the Environmental Layout Sheets/ SWP3 Layout Sheets located in Attachment 1.2 of this SWP3

2.3 PERMANENT CONTROLS:

(Coordinate post-construction BMPs with appropriate TxDOT maintenance sections.)

BMPs To Be Left In Place Post Construction:

Type	Stationing	
	From	To
None		

Refer to the Environmental Layout Sheets/ SWP3 Layout Sheets located in Attachment 1.2 of this SWP3

2.4 OFFSITE VEHICLE TRACKING CONTROLS:

- Excess dirt/mud on road removed daily
- Haul roads dampened for dust control
- Loaded haul trucks to be covered with tarpaulin
- Stabilized construction exit
- Daily street sweeping
- Other: _____
- Other: _____
- Other: _____
- Other: _____

2.5 POLLUTION PREVENTION MEASURES:

- Chemical Management
- Concrete and Materials Waste Management
- Debris and Trash Management
- Dust Control
- Sanitary Facilities
- Other: _____
- Other: _____
- Other: _____
- Other: _____

2.6 VEGETATED BUFFER ZONES:

Natural vegetated buffers shall be maintained as feasible to protect adjacent surface waters. If vegetated natural buffer zones are not feasible due to site geometry, the appropriate additional sediment control measures have been incorporated into this SWP3.

Type	Stationing	
	From	To
None		

Refer to the Environmental Layout Sheets/ SWP3 Layout Sheets located in Attachment 1.2 of this SWP3

2.7 ALLOWABLE NON-STORMWATER DISCHARGES:

- Fire hydrant flushings
- Irrigation drainage
- Pavement washwater (where spills or leaks have not occurred, and detergents are not used)
- Potable water sources
- Springs
- Uncontaminated groundwater
- Water used to wash vehicles or control dust
- Other allowable non-stormwater discharges as allowed by TPDES GP TXR150000.

2.8 DEWATERING:

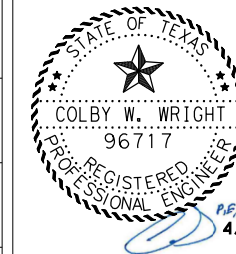
Dewatering discharges of accumulated stormwater, groundwater, and surface water including discharges from dewatering of trenches, excavations, foundations, vaults, and other points of accumulation are prohibited unless managed by appropriate controls to prevent and minimize the offsite discharge of sediment and other pollutants.

2.9 INSPECTIONS:

All disturbed areas and erosion and sediment control devices shall be inspected at least once every seven (7) days. Inspections shall be performed by TxDOT as indicated on the Field Inspection and Maintenance Report Form 2118 and retained in Attachment 2.3 of this SWP3 .

2.10 MAINTENANCE:

Control measures shall be properly installed according to specifications. If it is determined that a BMP or control measure is not operating effectively, maintenance must be accomplished as soon as possible and before the next anticipated rain event, but in no case later than 7 calendar days after being able to access the site. Maintenance shall be performed by the Contractor as indicated on the Field Inspection and Maintenance Report Form 2118 and retained in Attachment 2.3 of this SWP3.

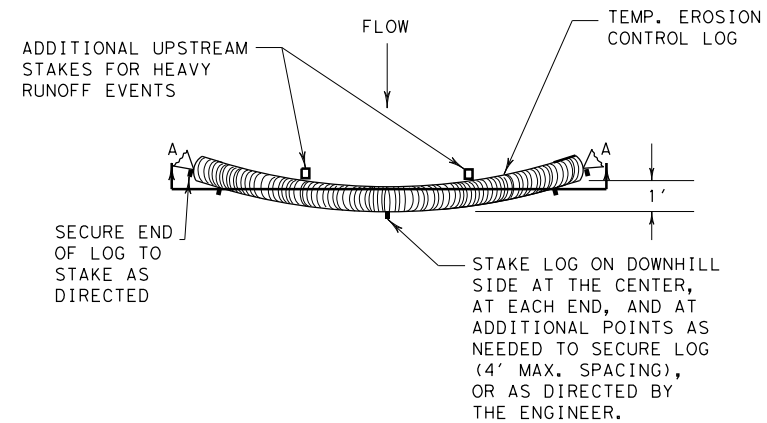


STORMWATER POLLUTION PREVENTION PLAN (SWP3) (Less Than 1 Acre)

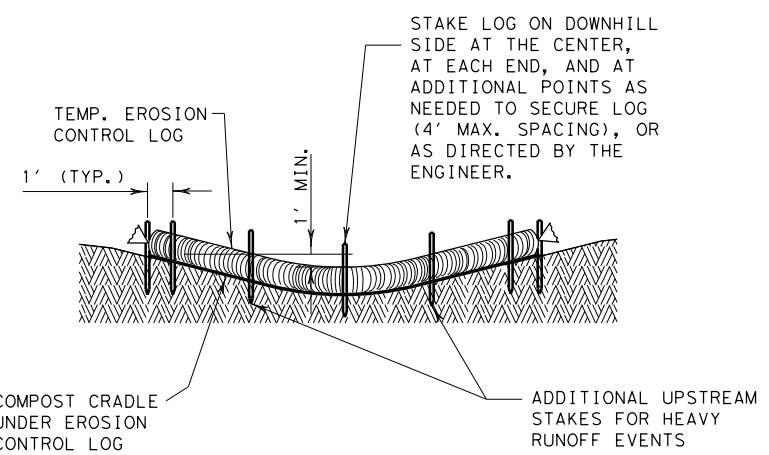
FED. RD. DIV. NO.	PROJECT NO.			SHEET NO.
				138
STATE	STATE DIST.	COUNTY		
TEXAS	AMA	POTTER		
CONT.	SECT.	JOB	HIGHWAY NO.	
0275	01	244	IH 40	

DISCLAIMER: The use of this standard is governed by the "Texas Engineering Practice Act". No warranty of any kind is made by TxDOT for any purpose whatsoever. TxDOT assumes no responsibility for the conversion of this standard to other formats or for incorrect results or damages resulting from its use.

DATE: 2/7/2024
 FILE: K:\01509\01509-0027-10 TxDOT AMA PS&E IH 40\TRAFFIC\SWAT\Standards\ec916.dgn



PLAN VIEW

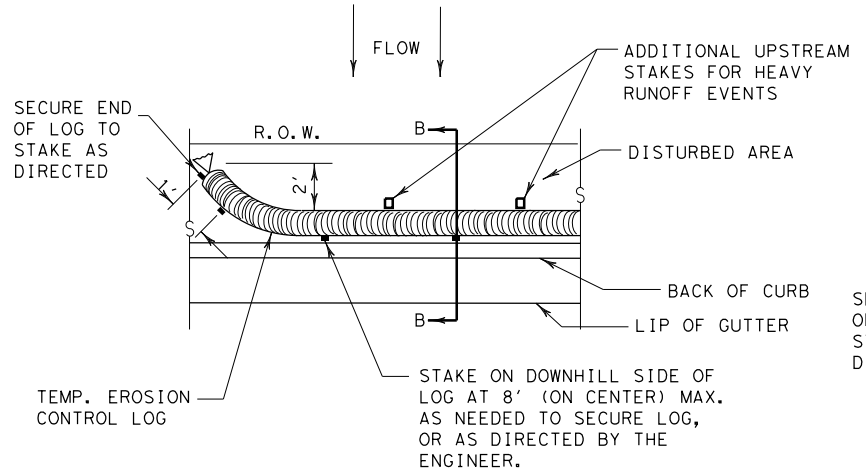


SECTION A-A
EROSION CONTROL LOG DAM

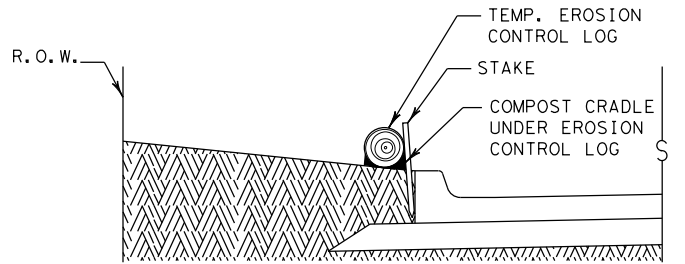
CL-D

LEGEND

- CL-D EROSION CONTROL LOG DAM
- CL-BOC EROSION CONTROL LOG AT BACK OF CURB
- CL-ROW EROSION CONTROL LOG AT EDGE OF RIGHT-OF-WAY
- CL-SST EROSION CONTROL LOGS ON SLOPES STAKE AND TRENCHING ANCHORING
- CL-SSL EROSION CONTROL LOGS ON SLOPES STAKE AND LASHING ANCHORING
- CL-DI EROSION CONTROL LOG AT DROP INLET
- CL-CI EROSION CONTROL LOG AT CURB INLET
- CL-GI EROSION CONTROL LOG AT CURB & GRATE INLET



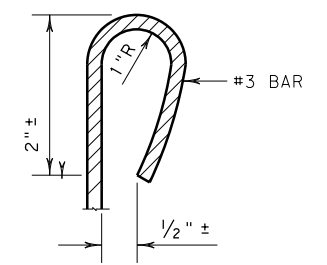
PLAN VIEW



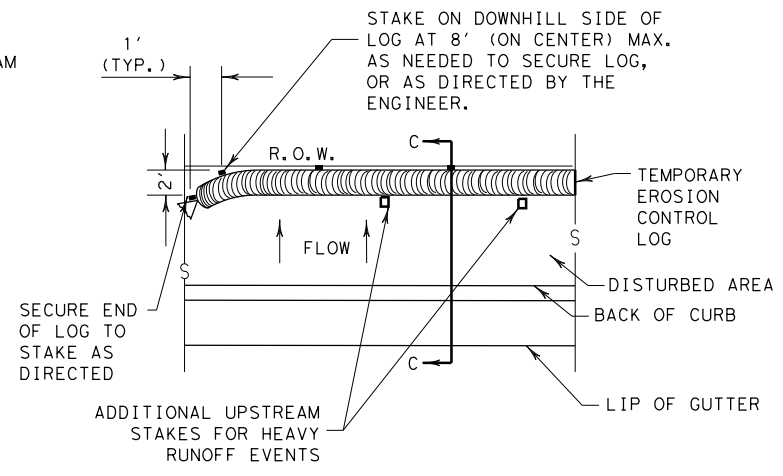
SECTION B-B

EROSION CONTROL LOG AT BACK OF CURB

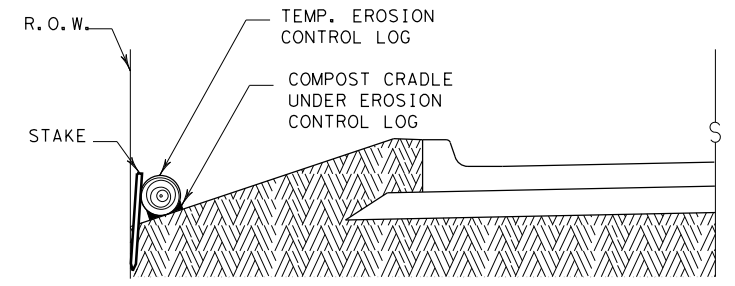
CL-BOC



REBAR STAKE DETAIL



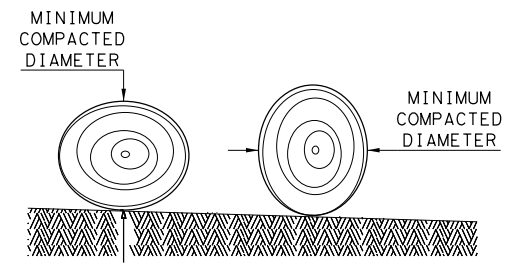
PLAN VIEW



SECTION C-C

EROSION CONTROL LOG AT EDGE OF RIGHT-OF-WAY

CL-ROW



DIAMETER MEASUREMENTS OF EROSION CONTROL LOGS SPECIFIED IN PLANS

SEDIMENT BASIN & TRAP USAGE GUIDELINES

An erosion control log sediment trap may be used to filter sediment out of runoff draining from an unstabilized area.

Log Traps: The drainage area for a sediment trap should not exceed 5 acres. The trap capacity should be 1800 CF/Acre (0.5" over the drainage area).

Control logs should be placed in the following locations:

1. Within drainage ditches spaced as needed or min. 500' on center
2. Immediately preceding ditch inlets or drain inlets
3. Just before the drainage enters a water course
4. Just before the drainage leaves the right of way
5. Just before the drainage leaves the construction limits where drainage flows away from the project.

The logs should be cleaned when the sediment has accumulated to a depth of 1/2 the log diameter.

Cleaning and removal of accumulated sediment deposits is incidental and will not be paid for separately.

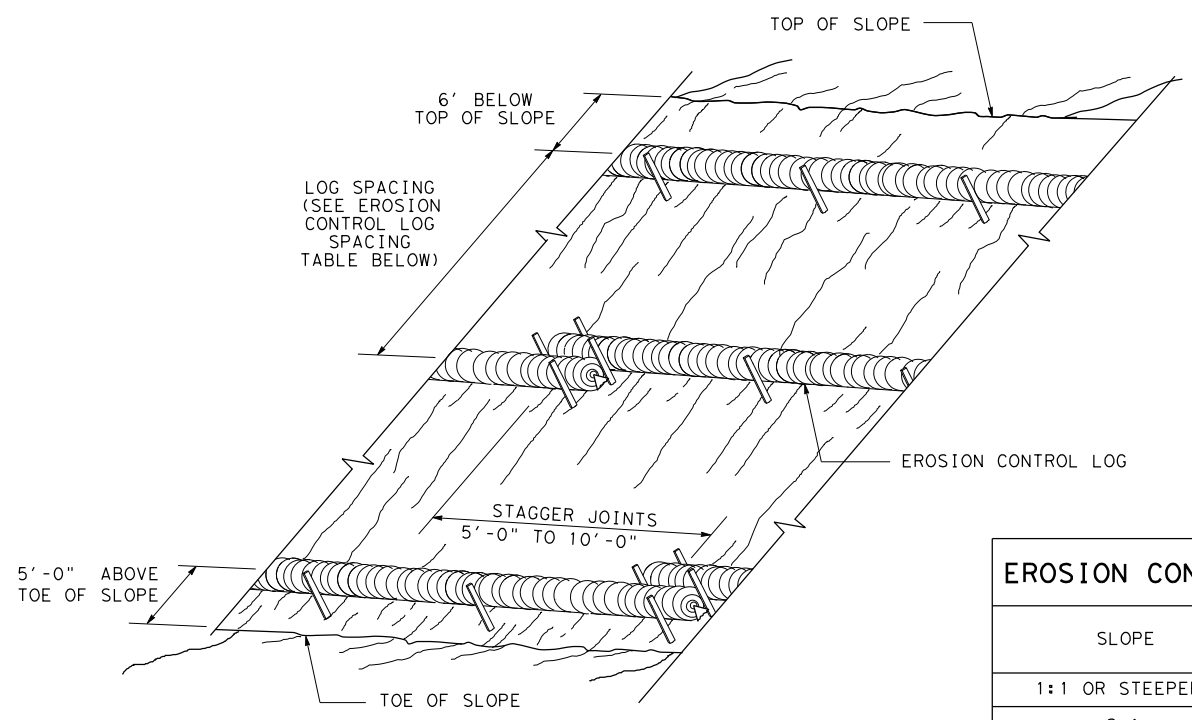
GENERAL NOTES:

1. EROSION CONTROL LOGS SHALL BE INSTALLED IN ACCORDANCE WITH MANUFACTURER'S RECOMMENDATIONS, OR AS DIRECTED BY THE ENGINEER.
2. LENGTHS OF EROSION CONTROL LOGS SHALL BE IN ACCORDANCE WITH MANUFACTURER'S RECOMMENDATIONS AND AS REQUIRED FOR THE PURPOSE INTENDED.
3. UNLESS OTHERWISE DIRECTED, USE BIODEGRADABLE OR PHOTODEGRADABLE CONTAINMENT MESH ONLY WHERE LOG WILL REMAIN IN PLACE AS PART OF A VEGETATIVE SYSTEM. FOR TEMPORARY INSTALLATIONS, USE RECYCLABLE CONTAINMENT MESH.
4. FILL LOGS WITH SUFFICIENT FILTER MATERIAL TO ACHIEVE THE MINIMUM COMPACTED DIAMETER SPECIFIED IN THE PLANS WITHOUT EXCESSIVE DEFORMATION.
5. STAKES SHALL BE 2" X 2" WOOD OR #3 REBAR, 2'-4' LONG, EMBEDDED SUCH THAT 2" PROTRUDES ABOVE LOG, OR AS DIRECTED BY THE ENGINEER.
6. DO NOT PLACE STAKES THROUGH CONTAINMENT MESH.
7. COMPOST CRADLE MATERIAL IS INCIDENTAL & WILL NOT BE PAID FOR SEPARATELY.
8. SANDBAGS USED AS ANCHORS SHALL BE PLACED ON TOP OF LOGS & SHALL BE OF SUFFICIENT SIZE TO HOLD LOGS IN PLACE.
9. TURN THE ENDS OF EACH ROW OF LOGS UPSLOPE TO PREVENT RUNOFF FROM FLOWING AROUND THE LOG.
10. FOR HEAVY RUNOFF EVENTS, ADDITIONAL UPSTREAM STAKES MAY BE NECESSARY TO KEEP LOG FROM FOLDING IN ON ITSELF.

SHEET 1 OF 3

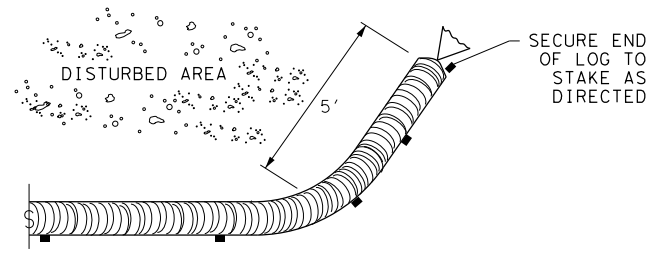
		<i>Design Division Standard</i>	
TEMPORARY EROSION, SEDIMENT AND WATER POLLUTION CONTROL MEASURES			
EROSION CONTROL LOG			
EC (9) - 16			
FILE: ec916	DN: TxDOT	CK: KM	DW: LS/PT
© TxDOT: JULY 2016	CONT SECT	JOB	HIGHWAY
REVISIONS	0275 01	244	IH 40
DIST	COUNTY	SHEET NO.	
AMA	POTTER	139	

DATE: 2/7/2024
 FILE: K:\01509\01509-0027-10 TxDOT AMA PS&E IH 40\TRAFFIC\SWAT\Standards\ec916.dgn
 DISCLAIMER: The use of this standard is governed by the "Texas Engineering Practice Act". No warranty of any kind is made by TxDOT for any purpose whatsoever. TxDOT assumes no responsibility for the conversion of this standard to other formats or for incorrect results or damages resulting from its use.



**EROSION CONTROL LOGS ON SLOPES
STAKE AND TRENCHING ANCHORING**

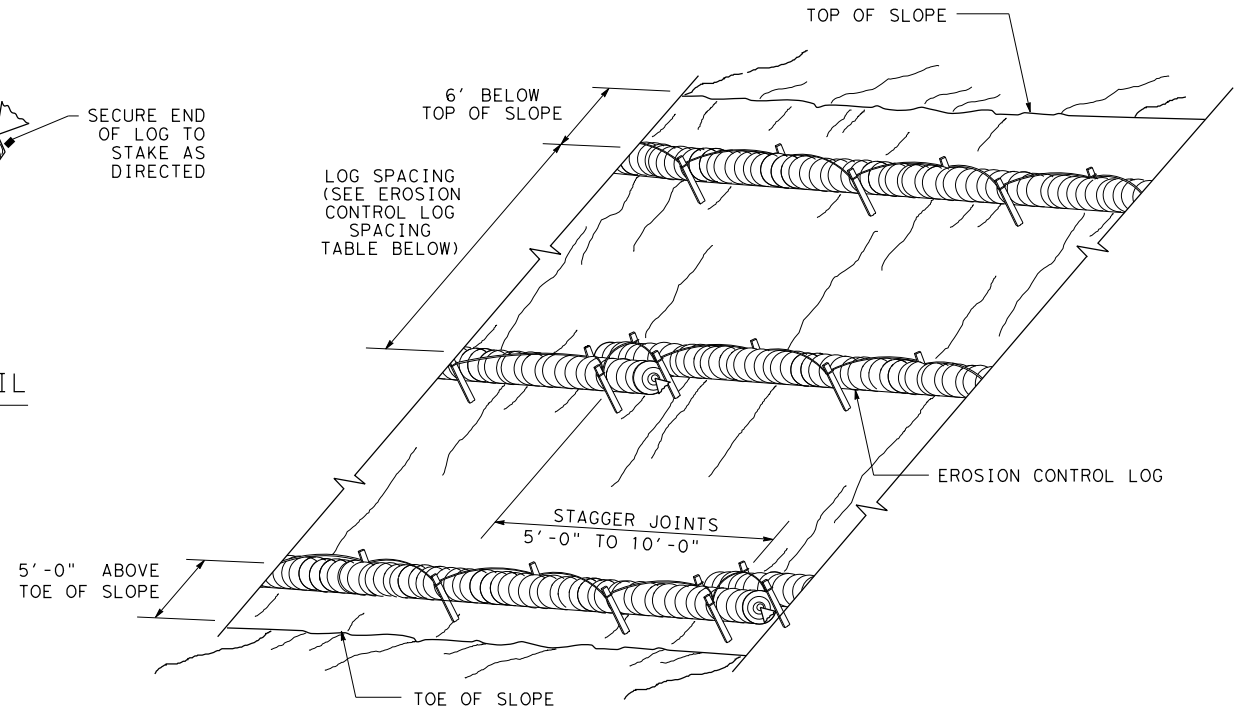
CL-SST



END SECTION RAP DETAIL

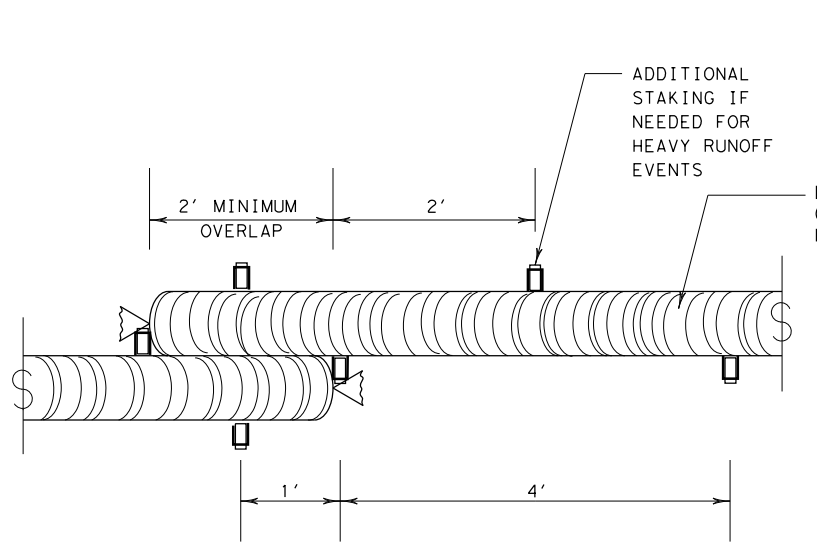
SLOPE	LOG DIAMETER			
	6"	8"	12"	18"
1:1 OR STEEPER	5'	10'	15'	20'
2:1	10'	20'	30'	40'
3:1	15'	30'	45'	60'
4:1 OR FLATTER	20'	40'	60'	80'

* ADJUSTMENTS CAN BE MADE FOR SOIL TYPE:
 SOFT, LOAMY SOILS-ADJUST ROWS CLOSER TOGETHER;
 HARD, ROCKY SOILS- ADJUST ROWS FARTHER APART



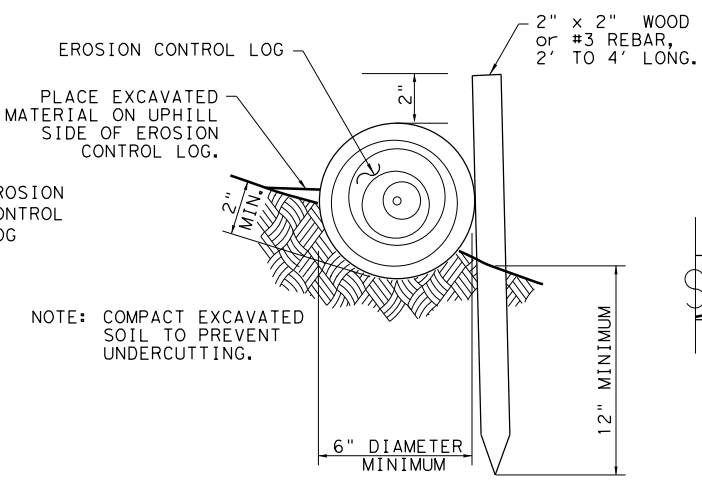
**EROSION CONTROL LOGS ON SLOPES
STAKE AND LASHING ANCHORING**

CL-SSL



STAKE AND TRENCHING ANCHORING DETAIL

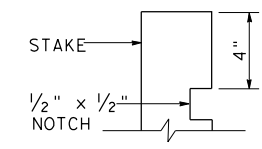
CL-SST



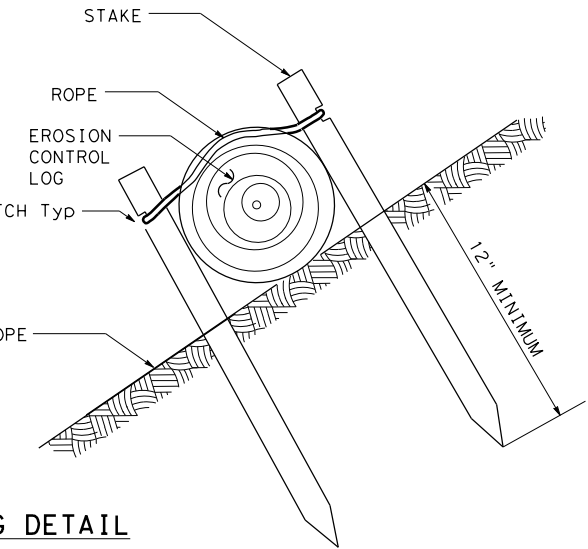
STAKE AND LASHING ANCHORING DETAIL

CL-SSL

LOG DIAMETER	DEPTH
6"	2"
8"	3"
12"	4"
18"	5"



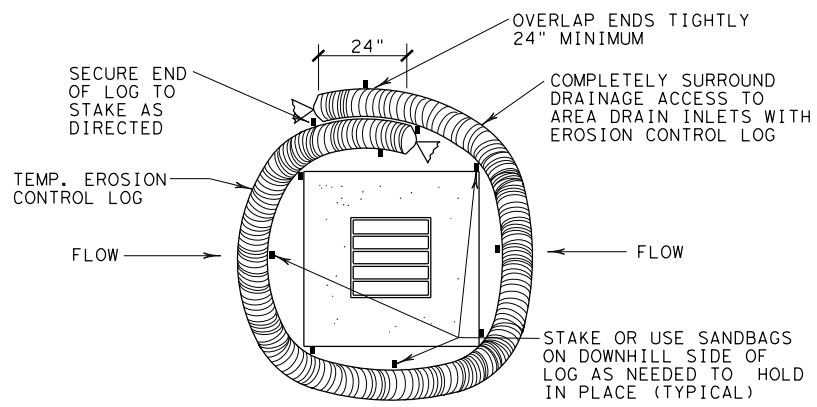
STAKE NOTCH DETAIL



SHEET 2 OF 3

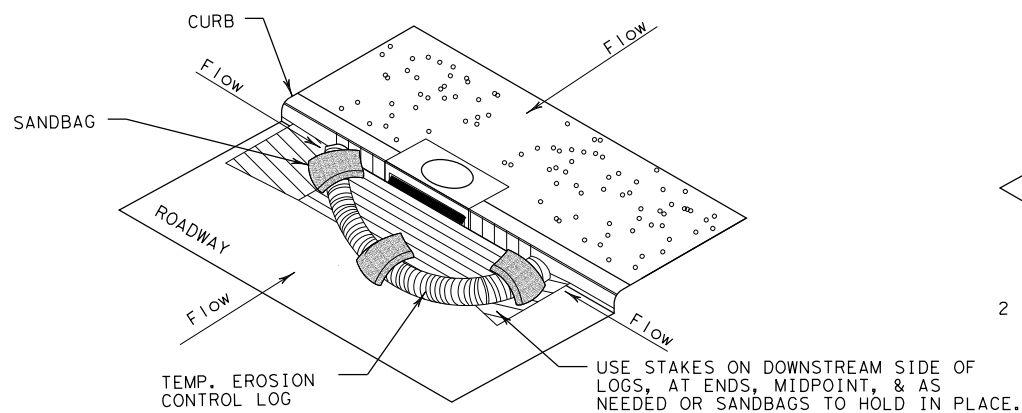
		Design Division Standard	
TEMPORARY EROSION, SEDIMENT AND WATER POLLUTION CONTROL MEASURES EROSION CONTROL LOG EC (9) - 16			
FILE: ec116	DN: TxDOT	CK: KM	DW: LS/PT
© TxDOT: JULY 2016	CONT SECT	JOB	HIGHWAY
REVISIONS	0275 01	244	IH 40
DIST	COUNTY	SHEET NO.	
AMA	POTTER	140	

DATE: 2/7/2024
 FILE: K:\01509\01509-0027-10 TxDOT AMA PS&E IH 40\TRAFFIC\SWA1\Standards\ec916.dgn
 DISCLAIMER: This standard is governed by the "Texas Engineering Practice Act". No warranty of any kind is made by TxDOT for any purpose whatsoever. TxDOT assumes no responsibility for the conversion of this standard to other formats or for incorrect results or damages resulting from its use.



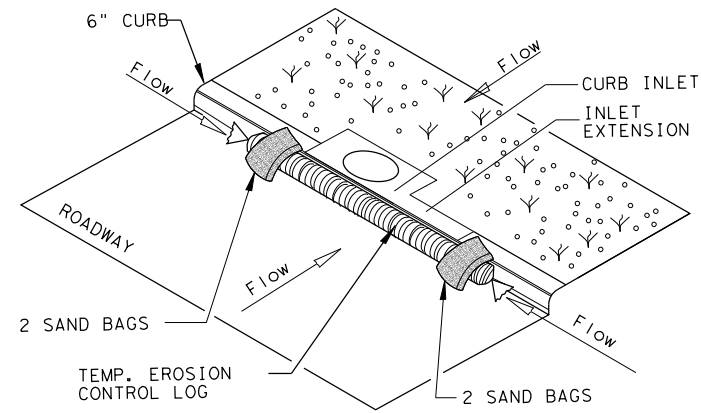
EROSION CONTROL LOG AT DROP INLET

CL-DI



EROSION CONTROL LOG AT CURB INLET

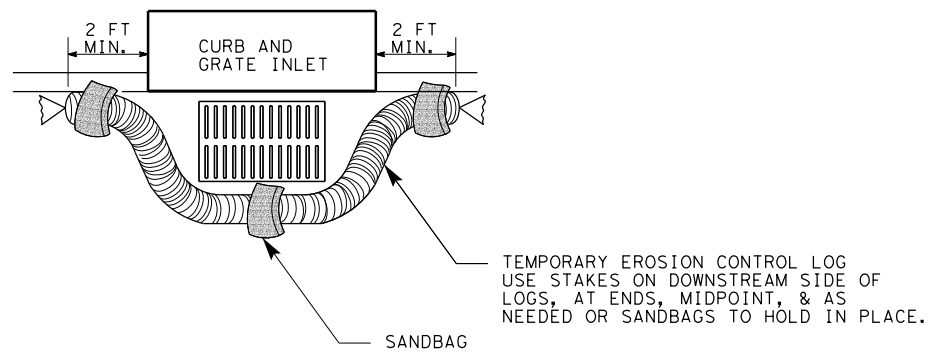
CL-CI



EROSION CONTROL LOG AT CURB INLET

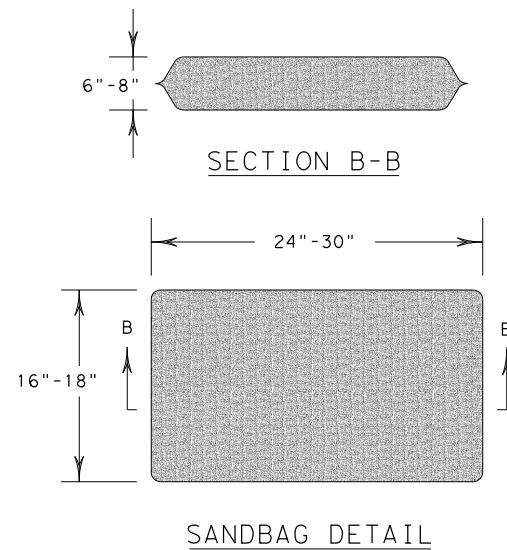
CL-CI

NOTE:
 EROSION CONTROL LOGS USED AT CURB INLETS SHOULD ONLY BE USED IF THEY WILL NOT IMPEDE TRAFFIC OR FLOOD THE ROADWAY OR WHEN THE STORM SEWER SYSTEM IS NOT FULLY FUNCTIONAL.



EROSION CONTROL LOG AT CURB & GRADE INLET

CL-GI



SHEET 3 OF 3

		Design Division Standard	
TEMPORARY EROSION, SEDIMENT AND WATER POLLUTION CONTROL MEASURES EROSION CONTROL LOG EC (9) - 16			
FILE: ec916	DN: TxDOT	CK: KM	DW: LS/PT
© TxDOT: JULY 2016	CONT SECT	JOB	HIGHWAY
REVISIONS	0275 01	244	IH 40
DIST	COUNTY	SHEET NO.	
AMA	POTTER	141	