

INDEX OF SHEETS

<u>SHEET NO.</u>	<u>DESCRIPTION</u>
	GENERAL
1	TITLE SHEET
2	INDEX OF SHEETS
3-5	GENERAL NOTES
6-7	ESTIMATE AND QUANTITY SHEET
	TRAFFIC CONTROL PLAN STANDARDS
8-19	* BC (1)-21 THRU BC (12)-21
20-24	* TCP (2-1)-18, TCP (2-2)-18, TCP (2-3)-23, TCP (2-4)-18, TCP (2-6)-18
25-27	* TCP (3-1)-13, TCP (3-2)-13, TCP (3-4)-13
28-31	* TCP (6-1)-12 THRU (6-4)-12
32	* WZ (RS) -22
	ROADWAY DETAIL STANDARDS
33	* MBGF-19
34	* MBGF (TR) -19
35	* MBGF (T101) -19
36	* MBGF (MS) -19
37	* GF (31) -19
38	* GF (31) DAT-19
39	* GF (31) LS-19
40	* GF (31) TRTL2-19
41-42	* GF (31) TRTL3-20
43	* GF (31) T101-19
44	* GF (31) T6-19
45	* GF (31) MS-19
46	* SGT (10S) 31-16
47	* SGT (11S) 31-18
48	* SGT (12S) 31-18
49	* SGT (13S) 31-18
50	* SGT (14W) 31-18
51-53	* SRG (TL-3) -21
54	* RAIL-ADJ (B) -19
55-57	* BRIFEN (TL4) -14
58	* CASS (TL4) -14
59	* GBRLTR (TL4) -14
60-61	* NU-CABLE (TL4) -14
	PAVEMENT MARKING & DELINEATION STANDARDS
62	* D&OM (1) -20
63	* D&OM (2) -20
64	* D&OM (3) -20
65	* D&OM (5) -20
66	* D&OM (VIA) -20

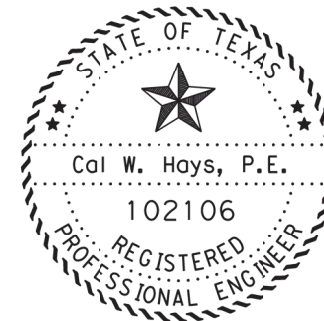
■ THE STANDARD SHEETS SPECIFICALLY IDENTIFIED
HAVE BEEN SELECTED BY ME OR UNDER MY RESPONSIBLE
SUPERVISION AS BEING APPLICABLE TO THIS PROJECT.

DocuSigned by:

Cal Hays, P.E.
A2B0DD676470482...
Cal W. Hays, P.E.

4/9/2024

Date



FHWA DIVISION	PROJECT NO.		SHEET NO.
6	RMC 6460-99-001		2
STATE	DISTRICT	COUNTY	
TEXAS	ABL	TAYLOR, ETC.	
CONTROL	SECTION	JOB	HIGHWAY NO.
6460	99	001	IH 20, ETC.

Control: 6460-99-001
County: Taylor, etc.
Highway: IH 20, etc.

Item 2 Instructions to Bidders

Contractor questions will be accepted through email, phone, and in person by the below individuals:

Questions may be submitted via the Letting Pre-Bid Q&A web page. This webpage can be accessed from the Notice to Contractors dashboard located at the following Address:
<https://tableau.txdot.gov/views/ProjectInformationDashboard/NoticetoContractors>

All contractor questions will be reviewed by the Engineer. All questions and any corresponding responses that are generated will be posted through the same Letting Pre-Bid Q&A web page.

The Letting Pre-Bid Q&A web page for each project can be accessed by using the dashboard to navigate to the project you are interested in by scrolling or filtering the dashboard using the controls on the left. Hover over the blue hyperlink for the project you want to view the Q&A for and click on the link in the window that pops up.

Item 4 Scope of Work

This contract will consist of “Call Out” metal beam guard fence repair and metal / concrete bridge rail repair including pertinent miscellaneous items.

If agreed upon in writing by both parties to the contract, the contract may be extended for an additional period of time not to exceed the original contract time period. The extended contract will be for the original bid quantities, terms and conditions plus any applicable change orders.

Item 5 Control of the Work

Prior to issuance of work orders, TxDOT underground utilities will be marked to indicate points of potential conflicts with the proposed work. Notify the Engineer of conflicts between proposed work and underground utilities. Repair damaged TxDOT utilities in accordance with current electrical regulations, or as directed by the Engineer when damage is due to failure to notify the Engineer of conflicts between the proposed work and TxDOT underground utilities. Repair work will be performed at the Contractor’s expense.

Item 6 Control of Materials

The contractor will provide all materials for this project.

Item 7 Legal Relations and Responsibilities

Provide access to all businesses and residences with minimum disruption and as directed. Materials, labor and maintenance for these temporary accesses is considered subsidiary to the various bid items.

Control: 6460-99-001
County: Taylor, etc.
Highway: IH 20, etc.

Item 8 Prosecution and Progress

Each contract awarded by the Department stands on its own and as such, is separate from other contracts. A Contractor awarded multiple contracts must be capable and sufficiently staffed to concurrently process and/or execute all contracts at the same time.

“Call-Out” Scope of Work:

This contract includes non-site specific work. Multiple concurrent work orders will be issued to procure work of the type identified in the contract at locations that have not yet been determined.

For each repair, the Engineer will determine the work to be done and specify this on the work order issued to the contractor. This includes determining whether the guardrail and associated elements will be upgraded to current standards or not.

Perform work in Jones, Shackelford, Taylor, and Callahan Counties.

Provide notice the morning of performing work to the requesting Maintenance Section or appropriate contact person. Failure to provide prior notification may result in nonpayment of work performed.

Work orders will be classified as Emergency or Routine. Emergency work orders will be issued as needed and will take precedence over the Routine work orders as determined by the Engineer.

Emergency Work Orders:

Be available to make repairs Monday through Friday and weekends if directed. Begin work within **48** hours after notification.

Emergency work will be defined as:

- All SGT repair or replacement
- MBGF repair consisting of 3 or more consecutive posts
- Any disconnect of steel rail element
- Other repair not listed above as determined by the Engineer

Routine Work Orders:

Be available to make repairs Monday through Friday and weekends if directed. Begin work within **5 calendar days** after notification.

Routine and Emergency Work Order Production Rates:

Working days allowed to complete each work order will be determined by dividing the total linear feet of rail required to complete the work order by the production rate of 175 lf of rail per working day and/or four SGT’s per working day. Production rates for cable median barrier will be 25 posts per working day, and/or 250 lf of cable per working day. Cable median barrier terminal sections will be 1 per working day. A fraction of a day will be rounded up to the nearest whole number. If the total number of working days is not used per work order, they will not be carried forward to future work orders. Working days for items other than what has been listed will be as determined by the Engineer.

CONT	SECT	JOB	HIGHWAY
6460	99	001	IH20, etc.
DIST	COUNTY		SHEET NO.
ABL	Taylor, etc.		3

Control: 6460-99-001
County: Taylor, etc.
Highway: IH 20, etc.

The contractor must maintain an adequate supply of materials in order to fulfill the emergency work order response requirement within 48 hours. Time will not be suspended due to lack of materials on emergency work orders. It is the contractor's responsibility to determine and provide materials necessary to complete the defined scope of work within each work order and within the time allotment.

Item 500 Mobilization

One Mobilization bid item will be paid per work order. Work orders will include no more than five (5) locations per work order.

Item 502 Barricades, Signs, and Traffic Handling

Additional signs, barricades and traffic handling may be necessary to complete the work shown herein and will be provided by the contractor as required and will be considered subsidiary to the various bid items.

If any workers or equipment are present in the median of divided highways, the entire median width will be considered to be the work area. Any work in the median will require, at a minimum, two shoulder closures with signs, channelizing devices and TMAs as per the TCPs.

For cable median barrier repair, use TCP (6-1a) in both directions of travel including providing a TMA in each direction.

In sections where traffic is restricted to one lane, two-way traffic, flaggers stationed at each end of that section will control operations with two-way communication devices.

Traffic control shall be in compliance with the "Texas Manual on Uniform Traffic Control Devices Revision 2, October 2014", the TCP standards included in the plans, and the "Compliant Work Zone Traffic Control Device, December 2017" list.

Temporary work zone rumble strips, in accordance with WZ(RS)-22, may be required for this project. Install and maintain temporary work zone rumble strips in accordance with WZ(RS)-22, utilizing traffic control in accordance with applicable traffic control standards, or as approved by the Engineer. This work will not be paid for directly but will be considered subsidiary to the various bid items of the contract.

Equip all work vehicles within 30 feet of the traveled way with a functioning amber strobe light or rotating beacon visible from all directions.

All workers are required to wear appropriate OSHA approved personal protective equipment, (fluorescent safety vest, hard hats, safety toed shoes, etc.), at all times while outside of vehicles on the project.

General Notes

Sheet C

Control: 6460-99-001
County: Taylor, etc.
Highway: IH 20, etc.

Item 540 Metal Beam Guard Fence

This item will pay for the anchor plate assembly for the thrie-beam transition to bridge rail.

Item 658 Delineators and Object Marker Assemblies

Delineation (GF2 reflectors) will be installed on a complete run of rail when rail is damaged and repaired or replaced. The delineation installation will be paid by the each of the type specified. Remove all GF1 reflectors on the run of rail. Removal of the GF1 reflectors will be considered subsidiary to the various bid items.

Guard Fence Delineator posts shall be 33" in length and permanently sealed at the top and have a 3-1/2" wide x 13" flattened surface to accommodate up to a 3" x 12" reflective sheet on both sides. They shall be flattened on both ends and transition to 2-3/8" round in the center for 360-degree visibility.

The contractor will not be called out for delineation placement only.

Item 770 Guard Fence Repair

New rail elements will be required under Item 770 where the bid description includes the phrase "Repair Rail Element" or "Rep Rail Elmnt".

When necessary, field drill and cut steel posts with method approved by the Engineer to proper height. Cold galvanize locations that are cut or drilled. This work will be subsidiary to this item.

Posts provided for repaired sections of guardrail will match existing adjacent posts in type and height.

When blockouts are damaged, they will be replaced with composite blockouts.

Install SGT's according to the manufacturers recommendations. Lag screws will not be driven in with a hammer.

SGT heads must remain level for a minimum of one year. Leveling of the SGT head will be at the contractor's expense.

SGT's will be repaired if damage is limited to the first rail element and first five posts.

SGT's will be replaced if damage has occurred beyond the first rail element and the first five posts, or as determined by the Engineer.

Posts to be paid with or without concrete foundation will be determined as follows:

If concrete must be removed to make the repair or to replace the post, Bid Item 770-6011 "Rem/Repl Tim/Stl Post w/ Conc Fnd" will be paid. All other applicable repairs or replacements will be paid under Bid Item 770-6010 "Rem/Repl Tim/Stl Post w/o Conc Fnd."

General Notes

Sheet D

\$DATE\$
\$FILES\$



Texas Department of Transportation

GENERAL NOTES

CONT	SECT	JOB	HIGHWAY
6460	99	001	IH20, etc.
DIST	COUNTY		SHEET NO.
ABL	Taylor, etc.		4

Control: 6460-99-001
County: Taylor, etc.
Highway: IH 20, etc.

Item 771 Repair Cable Barrier System

Provide a tension meter and use it to verify that repaired or replaced cables are properly tensioned. Re-tension the cable(s) when needed. This work will be considered subsidiary to the various bid items.

For posts not being replaced, straightening of the posts, new spacers and re-threading the cable will be considered subsidiary to the various bid items.

Item No. 771-6011 "Check/Re-Tension Cable" will only be utilized and paid when no other cable barrier repair is required.

Item 6185 Truck Mounted Attenuator

For this contract, a worksite will be defined as any work location within the five (5) counties shown in this contract. If a TMA unit is utilized at multiple work locations during a single day, only one day will be measured and paid for the unit.

The contractor will be responsible for determining if one or more of these operations will be ongoing at the same time to determine the total number of TMAs needed for the project. The Contractor must get approval from the Engineer for any changes in the number of TMA as shown in the plans.

BASIS OF ESTIMATE FOR STATIONARY TMAs				
Phase	Standard	TMA (Stationary)		
		Required	Additional	TOTAL
Stationary	TCP's (1-2) thru (1-5) – 18; TCP's (2-1), (2-2), (2-6)-18	2 max	0	2
Mobile	TCP's (3-1), (3-2), (3-4) – 13; TCP's (3-3) – 14, TCP (3-5) – 18	3 max	0	3
Stationary Freeway	TCP's (6-1) thru (6-5) - 12	2 max	0	2

General Notes

Sheet E

\$DATE\$
\$TIME\$
\$FILES\$



GENERAL NOTES

CONT	SECT	JOB	HIGHWAY
6460	99	001	IH20, etc.
DIST	COUNTY		SHEET NO.
ABL	Taylor, etc.		5



CONTROLLING PROJECT ID 6460-99-001

DISTRICT Abilene
HIGHWAY IH0020

Estimate & Quantity Sheet

COUNTY Taylor

CONTROL SECTION JOB				6460-99-001		TOTAL EST.	TOTAL FINAL
PROJECT ID				A00205964			
COUNTY				Taylor			
HIGHWAY				IH0020			
ALT	BID CODE	DESCRIPTION	UNIT	EST.	FINAL		
	432-6045	RIPRAP (MOW STRIP)(4 IN)	CY	5.000		5.000	
	500-6033	MOBILIZATION (CALLOUT)	EA	38.000		38.000	
	500-6034	MOBILIZATION (EMERGENCY)	EA	105.000		105.000	
	540-6016	DOWNSTREAM ANCHOR TERMINAL SECTION	EA	16.000		16.000	
	540-6037	MTL BM GD FEN TRANS (ANCHOR PLATE)	EA	4.000		4.000	
	540-6039	MTL BM GD FEN TRANS (31"-28")(25')	EA	30.000		30.000	
	542-6002	REMOVE TERMINAL ANCHOR SECTION	EA	10.000		10.000	
	658-6061	INSTL DEL ASSM (D-SW)SZ 1(BRF)GF2	EA	62.000		62.000	
	658-6063	INSTL DEL ASSM (D-SW)SZ 1(BRF)GF2(BR)	EA	36.000		36.000	
	658-6064	INSTL DEL ASSM (D-SY)SZ 1(BRF)GF2	EA	10.000		10.000	
	658-6065	INSTL DEL ASSM (D-SY)SZ 1(BRF)GF2(BR)	EA	16.000		16.000	
	658-6067	INSTL DEL ASSM (D-DW)SZ 1(BRF)GF2	EA	4.000		4.000	
	658-6068	INSTL DEL ASSM (D-DY)SZ 1(BRF)GF2	EA	107.000		107.000	
	770-6001	REPAIR RAIL ELEMENT (W - BEAM)	LF	9,500.000		9,500.000	
	770-6002	REPAIR RAIL ELEMENT (THRIE - BEAM)	LF	121.000		121.000	
	770-6003	REP RAIL ELMNT(THRIE-BM TRANS TO W -BM)	LF	42.000		42.000	
	770-6004	REPAIR RAIL ELEMENT (CURVED RAIL)	LF	50.000		50.000	
	770-6010	REM / REPL TIMBER/STL POST W/O CONC FND	EA	454.000		454.000	
	770-6011	REM / REPL TIMBER / STL POST W/CONC FND	EA	342.000		342.000	
	770-6016	REPAIR STEEL POST WITH BASE PLATE	EA	13.000		13.000	
	770-6017	REALIGN POSTS	EA	180.000		180.000	
	770-6018	INSTALL BLOCKOUT (TYPE SPECIFIED)	EA	834.000		834.000	
	770-6021	REPLACE SINGLE GDRAIL TERMINAL RAIL	LF	714.000		714.000	
	770-6022	REPLACE SINGLE GDRAIL TERMINAL POST	EA	82.000		82.000	
	770-6027	REMOVE GDRAIL END TRT / REPL WITH SGT	EA	82.000		82.000	
	770-6028	REPL SINGLE GDRAIL TERM IMPACT HEAD	EA	24.000		24.000	
	770-6029	REM & RESET SGT IMPACT HEAD	EA	14.000		14.000	
	770-6033	REPLACE SGT OBJECT MARKER	EA	6.000		6.000	
	771-6002	REPLACE POSTS (TL-4)	EA	2,484.000		2,484.000	
	771-6004	CABLE SPLICE / TURNBUCKLE (TL-4)	EA	34.000		34.000	
	771-6008	REPR OR REPLC CABLE BARR TERM SEC(TL-4)	EA	35.000		35.000	
	771-6010	REPLACE CABLE (TL-4)	LF	59.000		59.000	
	771-6011	CHECK / RE-TENSION CABLE	EA	9.000		9.000	
	776-6001	REPAIR (STEEL POST W/ W-BEAM - T101)	LF	39.000		39.000	
	776-6004	REPAIR (STL POST W/ DOUBLED W-BEAMS-T6)	LF	65.000		65.000	
	776-6039	BOX BEAM MEDIAN BARRIER REPAIR	LF	234.000		234.000	
	776-6040	BOX BEAM MEDIAN BARRIER POST	EA	23.000		23.000	

DISTRICT	COUNTY	CCSJ	SHEET
Abilene	Taylor	6460-99-001	6



CONTROLLING PROJECT ID 6460-99-001

DISTRICT Abilene
HIGHWAY IH0020

COUNTY Taylor

Estimate & Quantity Sheet

CONTROL SECTION JOB				6460-99-001		TOTAL EST.	TOTAL FINAL
PROJECT ID				A00205964			
COUNTY				Taylor			
HIGHWAY				IH0020			
ALT	BID CODE	DESCRIPTION	UNIT	EST.	FINAL		
	778-6002	CONCRETE RAIL REPAIR (MISC)	LF	15.000		15.000	
	6185-6002	TMA (STATIONARY)	DAY	153.000		153.000	

DISTRICT	COUNTY	CCSJ	SHEET
Abilene	Taylor	6460-99-001	7

BARRICADE AND CONSTRUCTION (BC) STANDARD SHEETS GENERAL NOTES:

1. The Barricade and Construction Standard Sheets (BC sheets) are intended to show typical examples for placement of temporary traffic control devices, construction pavement markings, and typical work zone signs. The information contained in these sheets meet or exceed the requirements shown in the "Texas Manual on Uniform Traffic Control Devices" (TMUTCD).
2. The development and design of the Traffic Control Plan (TCP) is the responsibility of the Engineer.
3. The Contractor may propose changes to the TCP that are signed and sealed by a licensed professional engineer for approval. The Engineer may develop, sign and seal Contractor proposed changes.
4. The Contractor is responsible for installing and maintaining the traffic control devices as shown in the plans. The Contractor may not move or change the approximate location of any device without the approval of the Engineer.
5. Geometric design of lane shifts and detours should, when possible, meet the applicable design criteria contained in manuals such as the American Association of State Highway and Transportation Officials (AASHTO), "A Policy on Geometric Design of Highways and Streets," the TxDOT "Roadway Design Manual" or engineering judgment.
6. When projects abut, the Engineer(s) may omit the END ROAD WORK, TRAFFIC FINES DOUBLE, and other advance warning signs if the signing would be redundant and the work areas appear continuous to the motorists. If the adjacent project is completed first, the Contractor shall erect the necessary warning signs as shown on these sheets, the TCP sheets or as directed by the Engineer. The BEGIN ROAD WORK NEXT X MILES sign shall be revised to show appropriate work zone distance.
7. The Engineer may require duplicate warning signs on the median side of divided highways where median width will permit and traffic volumes justify the signing.
8. All signs shall be constructed in accordance with the details found in the "Standard Highway Sign Designs for Texas," latest edition. Sign details not shown in this manual shall be shown in the plans or the Engineer shall provide a detail to the Contractor before the sign is manufactured.
9. The temporary traffic control devices shown in the illustrations of the BC sheets are examples. As necessary, the Engineer will determine the most appropriate traffic control devices to be used.
10. Where highway construction or maintenance work is being undertaken, other than mobile operations as defined by the Texas Manual on Uniform Traffic Control Devices, CSJ limit signs are required. CSJ limit signs are shown on BC(2). The OBEY WARNING SIGNS STATE LAW sign, STAY ALERT TALK OR TEXT LATER and the WORK ZONE TRAFFIC FINES DOUBLE sign with plaque shall be erected in advance of the CSJ limits. The BEGIN ROAD WORK NEXT X MILES, CONTRACTOR and END ROAD WORK signs shall be erected at or near the CSJ limits. For mobile operations, CSJ limit signs are not required.
11. Traffic control devices should be in place only while work is actually in progress or a definite need exists.
12. The Engineer has the final decision on the location of all traffic control devices.
13. Inactive equipment and work vehicles, including workers' private vehicles must be parked away from travel lanes. They should be as close to the right-of-way line as possible, or located behind a barrier or guardrail, or as approved by the Engineer.

WORKER SAFETY NOTES:

1. Workers on foot who are exposed to traffic or to construction equipment within the right-of-way shall wear high-visibility safety apparel meeting the requirements of ISEA "American National Standard for High-Visibility Apparel," or equivalent revisions, and labeled as ANSI 107-2004 standard performance for Class 2 or 3 risk exposure. Class 3 garments should be considered for high traffic volume work areas or night time work.
2. Except in emergency situations, flagger stations shall be illuminated when flagging is used at night.

COMPLIANT WORKZONE TRAFFIC CONTROL DEVICES

1. Only pre-qualified products shall be used. The "Compliant Work Zone Traffic Control Devices List" (CWZTCD) describes pre-qualified products and their sources.
2. Work zone traffic control devices shall be compliant with the Manual for Assessing safety Hardware (MASH).

<p>THE DOCUMENTS BELOW CAN BE FOUND ON-LINE AT http://www.txdot.gov</p>
COMPLIANT WORK ZONE TRAFFIC CONTROL DEVICES LIST (CWZTCD)
DEPARTMENTAL MATERIAL SPECIFICATIONS (DMS)
MATERIAL PRODUCER LIST (MPL)
ROADWAY DESIGN MANUAL - SEE "MANUALS (ONLINE MANUALS)"
STANDARD HIGHWAY SIGN DESIGNS FOR TEXAS (SHSD)
TEXAS MANUAL ON UNIFORM TRAFFIC CONTROL DEVICES (TMUTCD)
TRAFFIC ENGINEERING STANDARD SHEETS

DISCLAIMER: The use of this standard is governed by the "Texas Engineering Practice Act". No warranty of any kind is made by TxDOT for any purpose whatsoever. TxDOT assumes no responsibility for the conversion of this standard to other formats or for incorrect results or damages resulting from its use.

DATE:
 FILE:

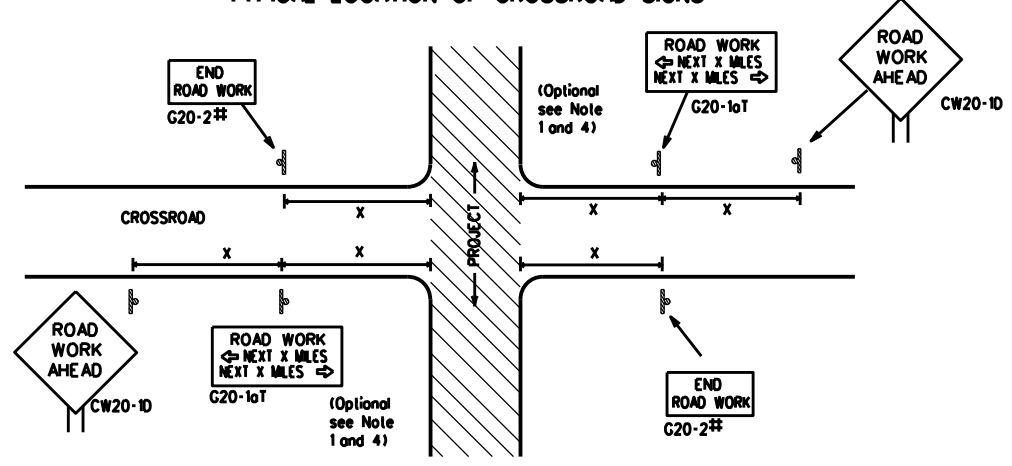


**BARRICADE AND CONSTRUCTION
 GENERAL NOTES
 AND REQUIREMENTS**

BC(1)-21

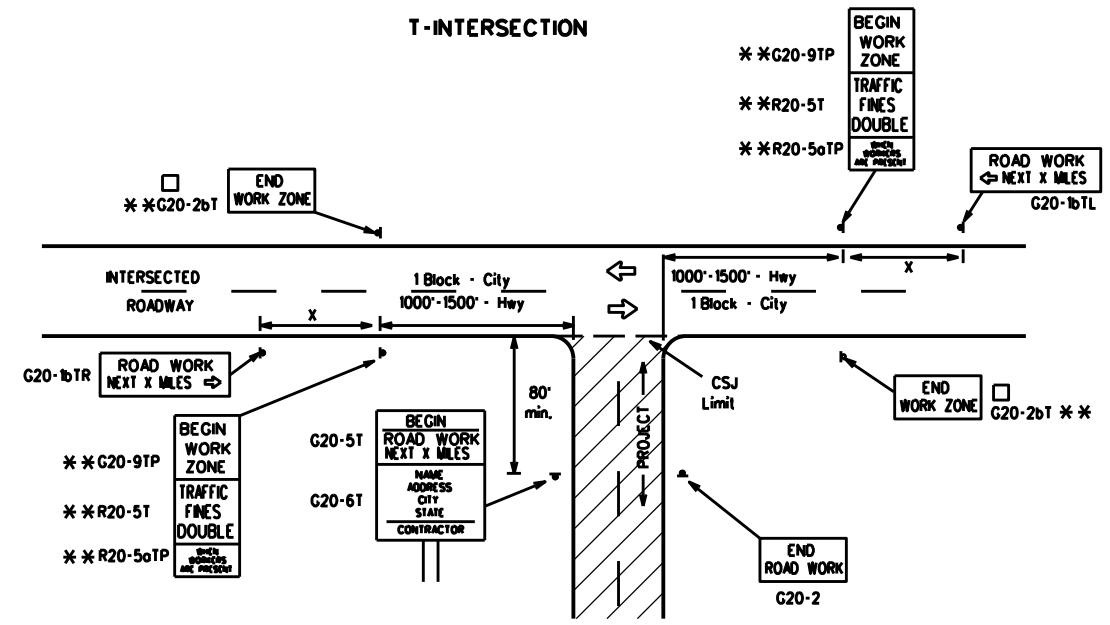
FILE: bc-21.dgn	DN: TxDOT	CK: TxDOT	DW: TxDOT	CK: TxDOT
© TxDOT November 2002	CONT	SECT	JOB	HIGHWAY
	6460	99	001	IH20, etc.
REVISIONS	DIST	COUNTY	SHEET NO.	
4-03 7-13	08	Taylor, ETC.	8	
9-07 8-14				
5-10 5-21				

TYPICAL LOCATION OF CROSSROAD SIGNS



- ‡ May be mounted on back of "ROAD WORK AHEAD" (CW20-1D) sign with approval of Engineer. (See note 2 below)
- The typical minimum signing on a crossroad approach should be a "ROAD WORK AHEAD" (CW20-1D) sign and a (G20-2) "END ROAD WORK" sign, unless noted otherwise in plans.
 - The Engineer may use the reduced size 36" x 36" ROAD WORK AHEAD (CW20-1D) sign mounted back to back with the reduced size 36" x 18" "END ROAD WORK" (G20-2) sign on low volume crossroads (see Note 4 under "Typical Construction Warning Sign Size and Spacing"). See the "Standard Highway Sign Designs for Texas" manual for sign details. The Engineer may omit the advance warning signs on low volume crossroads. The Engineer will determine whether a road is low volume as per TMUTCD Part 5. This information shall be shown in the plans.
 - Based on existing field conditions, the Engineer/Inspector may require additional signs such as FLAGGER AHEAD, LOOSE GRAVEL, or other appropriate signs. When additional signs are required, these signs will be considered part of the minimum requirements. The Engineer/Inspector will determine the proper location and spacing of any sign not shown on the BC sheets, Traffic Control Plan sheets or the Work Zone Standard Sheets.
 - The "ROAD WORK NEXT X MILES" (G20-1aT) sign shall be required at high volume crossroads to advise motorists of the length of construction in either direction from the intersection. The Engineer will determine whether a roadway is considered high volume.
 - Additional traffic control devices may be shown elsewhere in the plans for higher volume crossroads.
 - When work occurs in the intersection area, appropriate traffic control devices, as shown elsewhere in the plans or as determined by the Engineer/Inspector, shall be in place.

T-INTERSECTION



CSJ LIMITS AT T-INTERSECTION

- The Engineer will determine the types and location of any additional traffic control devices, such as a flagger and accompanying signs, or other signs, that should be used when work is being performed at or near an intersection.
- If construction closes the road at a T-intersection, the Contractor shall place the "CONTRACTOR NAME" (G20-6T) sign behind the Type 3 Barricades for the road closure (see BC(10) also). The "ROAD WORK NEXT X MILES" left arrow (G20-1bTL) and "ROAD WORK NEXT X MILES" right arrow (G20-1bTR) signs shall be replaced by the detour signing called for in the plans.

TYPICAL CONSTRUCTION WARNING SIGN SIZE AND SPACING

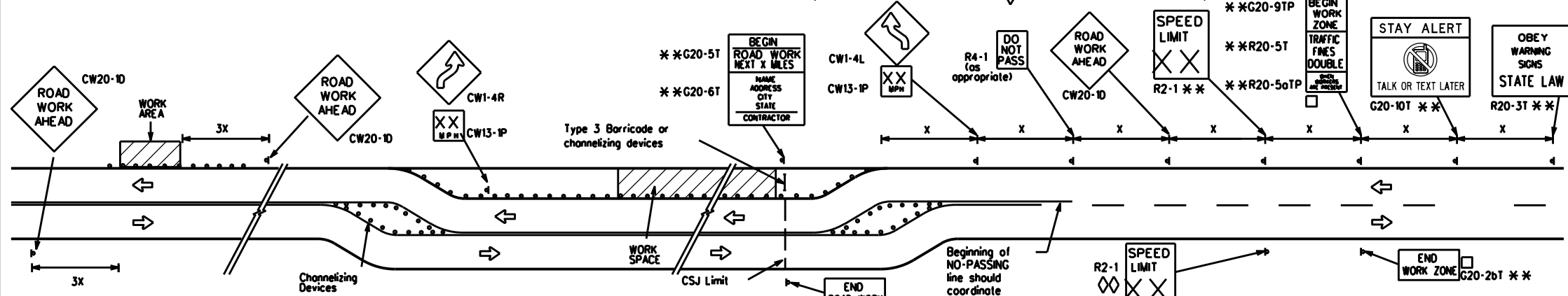
Sign Number or Series	SIZE		SPACING	
	Conventional Road	Expressway/Freeway	Posted Speed MPH	Sign Spacing "X" Feet (Apprx.)
CW20 ⁴	48" x 48"	48" x 48"	30	120
CW21			35	160
CW23			40	240
CW25			45	320
CW1, CW2, CW7, CW8, CW9, CW11, CW14	36" x 36"	48" x 48"	50	400
CW3, CW4, CW5, CW6, CW8-3, CW10, CW12	48" x 48"	48" x 48"	60	600 ²
			65	700 ²
			70	800 ²
			75	900 ²
			80	1000 ²
*			*	* ³

- For typical sign spacings on divided highways, expressways and freeways, see Part 6 of the "Texas Manual on Uniform Traffic Control Devices" (TMUTCD) typical application diagrams or TCP Standard Sheets.
- Minimum distance from work area to first Advance Warning sign nearest the work area and/or distance between each additional sign.

GENERAL NOTES

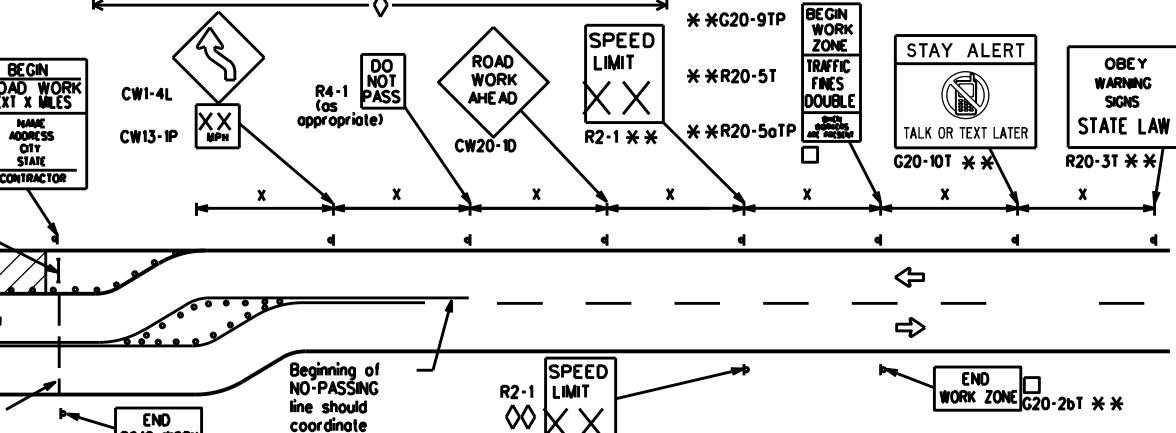
- Special or larger size signs may be used as necessary.
- Distance between signs should be increased as required to have 1500 feet advance warning.
- Distance between signs should be increased as required to have 1/2 mile or more advance warning.
- 36" x 36" "ROAD WORK AHEAD" (CW20-1D) signs may be used on low volume crossroads at the discretion of the Engineer as per TMUTCD Part 5. See Note 2 under "Typical Location of Crossroad Signs".
- Only diamond shaped warning sign sizes are indicated.
- See sign size listing in "TMUTCD", Sign Appendix or the "Standard Highway Sign Designs for Texas" manual for complete list of available sign design sizes.

WORK AREAS IN MULTIPLE LOCATIONS WITHIN CSJ LIMITS



When extended distances occur between minimal work spaces, the Engineer/Inspector should ensure additional "ROAD WORK AHEAD" (CW20-1D) signs are placed in advance of these work areas to remind drivers they are still within the project limits. See the applicable TCP sheets for exact location and spacing of signs and channelizing devices.

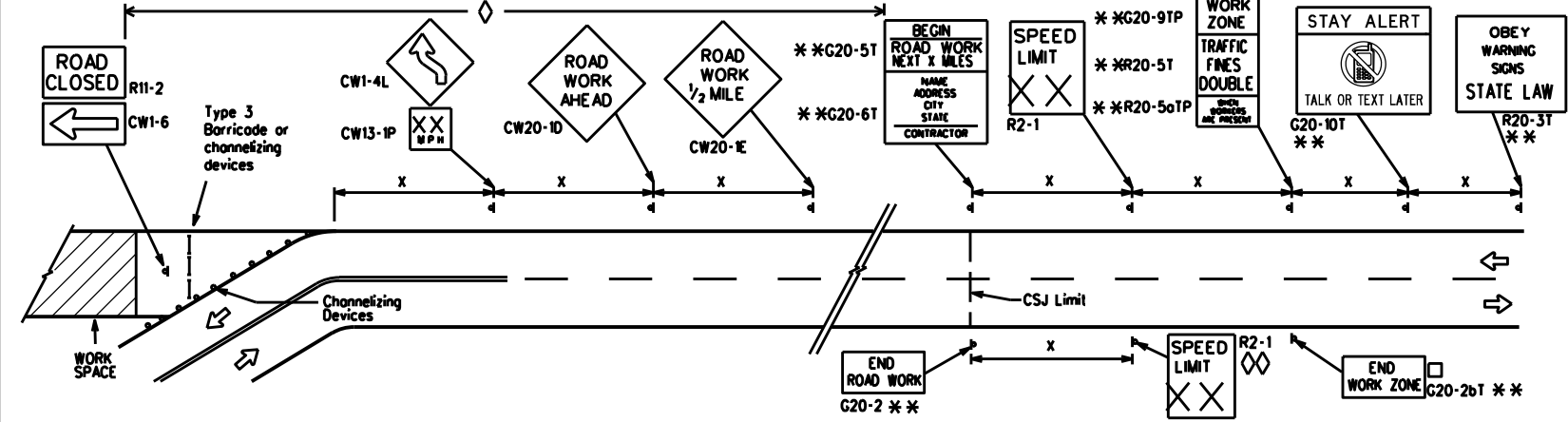
SAMPLE LAYOUT OF SIGNING FOR WORK BEGINNING AT THE CSJ LIMITS



NOTES

- The Contractor shall determine the appropriate distance to be placed on the G20-1 series signs and "BEGIN ROAD WORK NEXT X MILES" (G20-5T) sign for each specific project. This distance shall replace the "X" and shall be rounded to the nearest whole mile with the approval of the Engineer. No decimals shall be used.
- The "BEGIN WORK ZONE" (G20-9TP) and "END WORK ZONE" (G20-2bT) shall be used as shown on the sample layout when advance signs are required outside the CSJ Limits. They inform the motorist of entering or leaving a part of the work zone lying outside the CSJ Limits where traffic fines may double if workers are present.
- CSJ limit signing is required for highway construction and maintenance work, with the exception of mobile operations.
- Area for placement of "ROAD WORK AHEAD" (CW20-1D) sign and other signs or devices as called for on the Traffic Control Plan.
- Contractor will install a regulatory speed limit sign at the end of the work zone.

SAMPLE LAYOUT OF SIGNING FOR WORK BEGINNING DOWNSTREAM OF THE CSJ LIMITS



LEGEND

—	Type 3 Barricade
○ ○ ○	Channelizing Devices
■	Sign
X	See Typical Construction Warning Sign Size and Spacing chart or the TMUTCD for sign spacing requirements.

SHEET 2 OF 12



BARRICADE AND CONSTRUCTION PROJECT LIMIT

BC(2)-21

FILE: bc-21.dgn	DN: TxDOT	CK: TxDOT	DW: TxDOT	CK: TxDOT
© TxDOT November 2002	CONT: 6460	SECT: 99	JOB: 001	HIGHWAY: IH20, etc.
REVISIONS: 9-07 8-14				
7-13 5-21				
DIST: 08	COUNTY: Taylor, ETC.		SHEET NO.: 9	

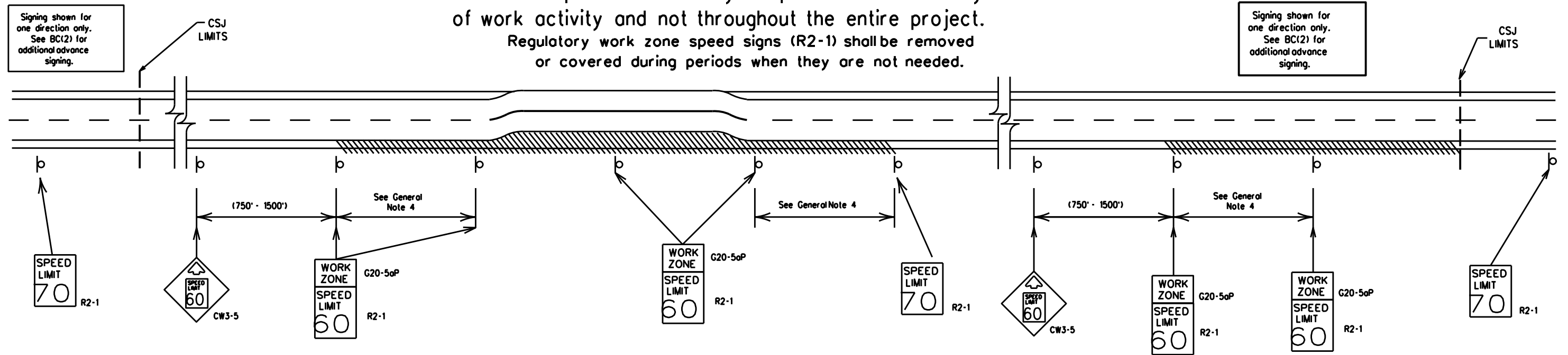
DISCLAIMER: The use of this standard is governed by the "Texas Engineering Practice Act". No warranty of any kind is made by TxDOT for any purpose whatsoever. TxDOT assumes no responsibility for the conversion of this standard to other formats or for incorrect results or damages resulting from its use.

DATE: FILE:

TYPICAL APPLICATION OF WORK ZONE SPEED LIMIT SIGNS

Work zone speed limits shall be regulatory, established in accordance with the "Procedures for Establishing Speed Zones," and approved by the Texas Transportation Commission, or by City Ordinance when within Incorporated City Limits.

Reduced speeds should only be posted in the vicinity of work activity and not throughout the entire project. Regulatory work zone speed signs (R2-1) shall be removed or covered during periods when they are not needed.



GUIDANCE FOR USE:

LONG/INTERMEDIATE TERM WORK ZONE SPEED LIMITS

This type of work zone speed limit should be included on the design of the traffic control plans when restricted geometrics with a lower design speed are present in the work zone and modification of the geometrics to a higher design speed is not feasible.

Long/Intermediate Term Work Zone Speed Limit signs, when approved as described above, should be posted and visible to the motorist when work activity is present. Work activity may also be defined as a change in the roadway that requires a reduced speed for motorists to safely negotiate the work area, including:

- rough road or damaged pavement surface
- substantial alteration of roadway geometrics (diversions)
- construction detours
- grade
- width
- other conditions readily apparent to the driver

As long as any of these conditions exist, the work zone speed limit signs should remain in place.

SHORT TERM WORK ZONE SPEED LIMITS

This type of work zone speed limit may be included on the design of the traffic control plans when workers or equipment are not behind concrete barrier, when work activity is within 10 feet of the traveled way or actually in the traveled way.

Short Term Work Zone Speed Limit signs should be posted and visible to the motorists only when work activity is present. When work activity is not present, signs shall be removed or covered. (See Removing or Covering on BC(4)).

GENERAL NOTES

- Regulatory work zone speed limits should be used only for sections of construction projects where speed control is of major importance.
- Regulatory work zone speed limit signs shall be placed on supports at a 7 foot minimum mounting height.
- Speed zone signs are illustrated for one direction of travel and are normally posted for each direction of travel.
- Frequency of work zone speed limit signs should be:
 - 40 mph and greater 0.2 to 2 miles
 - 35 mph and less 0.2 to 1 mile
- Regulatory speed limit signs shall have black legend and border on a white reflective background (See "Reflective Sheeting" on BC(4)).
- Fabrication, erection and maintenance of the "ADVANCE SPEED LIMIT" (CW3-5) sign, "WORK ZONE" (G20-5aP) plaque and the "SPEED LIMIT" (R2-1) signs shall not be paid for directly, but shall be considered subsidiary to Item 502.
- Turning signs from view, laying signs over or down will not be allowed, unless as otherwise noted under "REMOVING OR COVERING" on BC(4).
- Techniques that may help reduce traffic speeds include but are not limited to:
 - Low enforcement.
 - Flagger stationed next to sign.
 - Portable changeable message sign (PCMS).
 - Low-power (drone) radar transmitter.
 - Speed monitor trailers or signs.
- Speeds shown on details above are for illustration only. Work Zone Speed Limits should only be posted as approved for each project.
- For more specific guidance concerning the type of work, work zone conditions and factors impacting allowable regulatory construction speed zone reduction see TxDOT form #1204 in the TxDOT e-form system.

DISCLAIMER: The use of this standard is governed by the "Texas Engineering Practice Act." No warranty of any kind is made by TxDOT for any purpose whatsoever. TxDOT assumes no responsibility for the conversion of this standard to other formats or for incorrect results or damages resulting from its use.

DATE:
FILE:

SHEET 3 OF 12

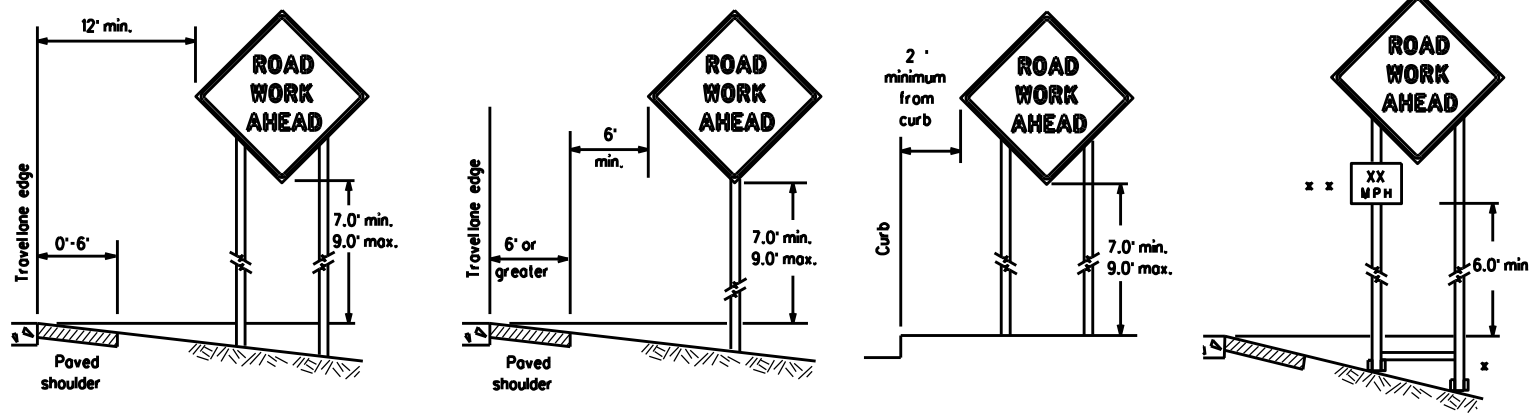


BARRICADE AND CONSTRUCTION WORK ZONE SPEED LIMIT

BC(3)-21

FILE: bc-21.dgn	DN: TxDOT	CK: TxDOT	DW: TxDOT	CK: TxDOT
© TxDOT November 2002	CONT	SECT	JOB	HIGHWAY
REVISIONS	6460	99	001	#20, etc.
9-07 8-14	DIST	COUNTY	SHEET NO.	
7-13 5-21	08	Taylor, ETC.	10	

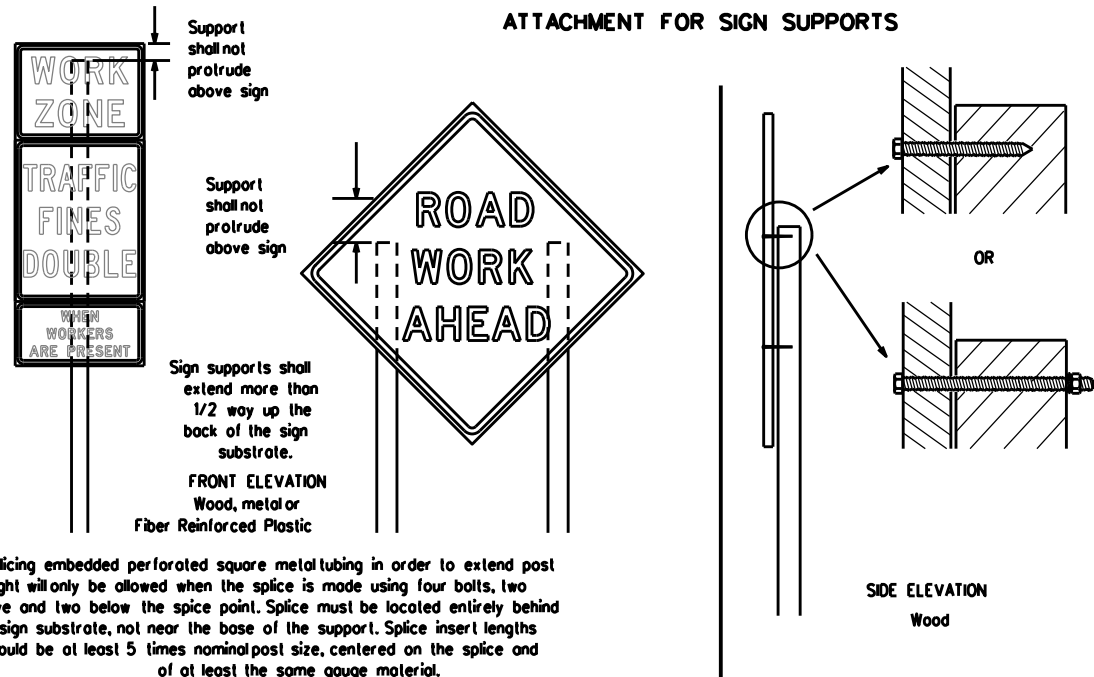
TYPICAL MINIMUM CLEARANCES FOR LONG TERM AND INTERMEDIATE TERM SIGNS



* When placing skid supports on unlevel ground, the leg post lengths must be adjusted so the sign appears straight and plumb. Objects shall NOT be placed under skids as a means of leveling.

* * When plaques are placed on dual-leg supports, they should be attached to the upright nearest the travel lane. Supplemental plaques (advisory or distance) should not cover the surface of the parent sign.

ATTACHMENT FOR SIGN SUPPORTS



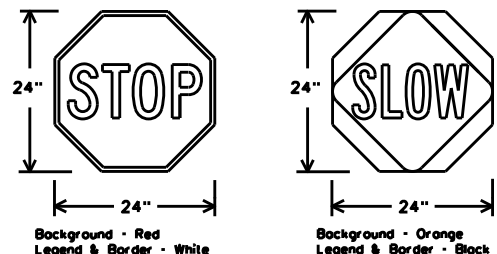
Attachment to wooden supports will be by bolts and nuts or screws. Use TxDOT's or manufacturer's recommended procedures for attaching sign substrates to other types of sign supports

Nails shall NOT be allowed. Each sign shall be attached directly to the sign support. Multiple signs shall not be joined or spliced by any means. Wood supports shall not be extended or repaired by splicing or other means.

Splicing embedded perforated square metal tubing in order to extend post height will only be allowed when the splice is made using four bolts, two above and two below the splice point. Splice must be located entirely behind the sign substrate, not near the base of the support. Splice insert lengths should be at least 5 times nominal post size, centered on the splice and of at least the same gauge material.

STOP/SLOW PADDLES

1. STOP/SLOW paddles are the primary method to control traffic by flaggers. The STOP/SLOW paddle size should be 24" x 24".
2. STOP/SLOW paddles shall be retroreflective when used at night.
3. STOP/SLOW paddles may be attached to a staff with a minimum length of 6' to the bottom of the sign.
4. Any lights incorporated into the STOP or SLOW paddle faces shall only be as specifically described in Section 6E.03 Hand Signaling Devices in the TMUTCD.



SHEETING REQUIREMENTS (WHEN USED AT NIGHT)		
USAGE	COLOR	SIGN FACE MATERIAL
BACKGROUND	RED	TYPE B OR C SHEETING
BACKGROUND	ORANGE	TYPE B ₁ OR C ₁ SHEETING
LEGEND & BORDER	WHITE	TYPE B OR C SHEETING
LEGEND & BORDER	BLACK	ACRYLIC NON-REFLECTIVE FILM

CONTRACTOR REQUIREMENTS FOR MAINTAINING PERMANENT SIGNS WITHIN THE PROJECT LIMITS

1. Permanent signs are used to give notice of traffic laws or regulations, call attention to conditions that are potentially hazardous to traffic operations, show route designations, destinations, directions, distances, services, points of interest, and other geographical, recreational, specific service (LOGO), or cultural information. Drivers proceeding through a work zone need the same, if not better route guidance as normally installed on a roadway without construction.
2. When permanent regulatory or warning signs conflict with work zone conditions, remove or cover the permanent signs until the permanent sign message matches the roadway condition. For details for covering large guide signs see the TS-CD standard.
3. When existing permanent signs are moved and relocated due to construction purposes, they shall be visible to motorists at all times.
4. If existing signs are to be relocated on their original supports, they shall be installed on crashworthy bases as shown on the SMD Standard sheets. The signs shall meet the required mounting heights shown on the BC Sheets or the SMD Standards. This work should be paid for under the appropriate pay item for relocating existing signs.
5. If permanent signs are to be removed and relocated using temporary supports, the Contractor shall use crashworthy supports as shown on the BC standard sheets, TLRS standard sheets or the CWZTCO list. The signs shall meet the required mounting heights shown on the BC, or the SMD standard sheets during construction. This work should be paid for under the appropriate pay item for relocating existing signs.
6. Any sign or traffic control device that is struck or damaged by the Contractor or his/her construction equipment shall be replaced as soon as possible by the Contractor to ensure proper guidance for the motorists. This will be subsidiary to Item 502.

GENERAL NOTES FOR WORK ZONE SIGNS

1. Contractor shall install and maintain signs in a straight and plumb condition and/or as directed by the Engineer.
 2. Wooden sign posts shall be painted white.
 3. Barricades shall NOT be used as sign supports.
 4. All signs shall be installed in accordance with the plans or as directed by the Engineer. Signs shall be used to regulate, warn, and guide the traveling public safely through the work zone.
 5. The Contractor may furnish either the sign design shown in the plans or in the "Standard Highway Sign Designs for Texas" (SHSD). The Engineer/Inspector may require the Contractor to furnish other work zone signs that are shown in the TMUTCD but may have been omitted from the plans. Any variation in the plans shall be documented by written agreement between the Engineer and the Contractor's Responsible Person. All changes must be documented in writing before being implemented. This can include documenting the changes in the Inspector's TxDOT diary and having both the Inspector and Contractor initial and date the agreed upon changes.
 6. The Contractor shall furnish sign supports listed in the "Compliant Work Zone Traffic Control Device List" (CWZTCO) for small roadside signs. Supports for temporary large roadside signs shall meet the requirements detailed on the Temporary Large Roadside Signs (TLRS) standard sheets. The Contractor shall install the sign support in accordance with the manufacturer's recommendations. If there is a question regarding installation procedures, the Contractor shall furnish the Engineer a copy of the manufacturer's installation recommendations so the Engineer can verify the correct procedures are being followed.
 7. The Contractor is responsible for installing signs on approved supports and replacing signs with damaged or cracked substrates and/or damaged or marred reflective sheeting as directed by the Engineer/Inspector.
 8. Identification markings may be shown only on the back of the sign substrate. The maximum height of letters and/or company logos used for identification shall be 1 inch.
 9. The Contractor shall replace damaged wood posts. New or damaged wood sign posts shall not be spliced.
- DURATION OF WORK (as defined by the "Texas Manual on Uniform Traffic Control Devices" Part 6)**
- a. Long-term stationary - work that occupies a location more than 3 days.
 - b. Intermediate-term stationary - work that occupies a location more than one daylight period up to 3 days, or nighttime work lasting more than one hour.
 - c. Short-term stationary - daytime work that occupies a location for more than 1 hour in a single daylight period.
 - d. Short duration - work that occupies a location up to 1 hour.
 - e. Mobile - work that moves continuously or intermittently (stopping for up to approximately 15 minutes.)

SIGN MOUNTING HEIGHT

1. The bottom of Long-term/Intermediate-term signs shall be at least 7 feet, but not more than 9 feet, above the paved surface, except as shown for supplemental plaques mounted below other signs.
2. The bottom of Short-term/Short Duration signs shall be a minimum of 1 foot above the pavement surface but no more than 2 feet above the ground.
3. Long-term/Intermediate-term Signs may be used in lieu of Short-term/Short Duration signing.
4. Short-term/Short Duration signs shall be used only during daylight and shall be removed at the end of the workday or raised to appropriate Long-term/Intermediate sign height.
5. Regulatory signs shall be mounted at least 7 feet, but not more than 9 feet, above the paved surface regardless of work duration.

SIZE OF SIGNS

1. The Contractor shall furnish the sign sizes shown on BC (2) unless otherwise shown in the plans or as directed by the Engineer.

SIGN SUBSTRATES

1. The Contractor shall ensure the sign substrate is installed in accordance with the manufacturer's recommendations for the type of sign support that is being used. The CWZTCO lists each substrate that can be used on the different types and models of sign supports.
2. "Mesh" type materials are NOT an approved sign substrate, regardless of the tightness of the weave.
3. All wooden individual sign panels fabricated from 2 or more pieces shall have one or more plywood cleat, 1/2" thick by 6" wide, fastened to the back of the sign and extending fully across the sign. The cleat shall be attached to the back of the sign using wood screws that do not penetrate the face of the sign panel. The screws shall be placed on both sides of the splice and spaced at 6" centers. The Engineer may approve other methods of splicing the sign face.

REFLECTIVE SHEETING

1. All signs shall be retroreflective and constructed of sheeting meeting the color and retro-reflectivity requirements of DMS-8300 for rigid signs or DMS-8310 for roll-up signs. The web address for DMS specifications is shown on BC(1).
2. White sheeting, meeting the requirements of DMS-8300 Type A, shall be used for signs with a white background.
3. Orange sheeting, meeting the requirements of DMS-8300 Type B or Type C₁, shall be used for rigid signs with orange backgrounds.

SIGN LETTERS

1. All sign letters and numbers shall be clear, and open rounded type uppercase alphabet letters as approved by the Federal Highway Administration (FHWA) and as published in the "Standard Highway Sign Design for Texas" manual. Signs, letters and numbers shall be of first class workmanship in accordance with Department Standards and Specifications.

REMOVING OR COVERING

1. When sign messages may be confusing or do not apply, the signs shall be removed or completely covered.
2. Long-term stationary or intermediate stationary signs installed on square metal tubing may be turned away from traffic 90 degrees when the sign message is not applicable. This technique may not be used for signs installed in the median of divided highways or near any intersections where the sign may be seen from approaching traffic.
3. Signs installed on wooden skids shall not be turned at 90 degree angles to the roadway. These signs should be removed or completely covered when not required.
4. When signs are covered, the material used shall be opaque, such as heavy mil black plastic, or other materials which will cover the entire sign face and maintain their opaque properties under automobile headlights at night, without damaging the sign sheeting.
5. Burlap shall NOT be used to cover signs.
6. Duct tape or other adhesive material shall NOT be affixed to a sign face.
7. Signs and anchor stubs shall be removed and holes backfilled upon completion of work.

SIGN SUPPORT WEIGHTS

1. Where sign supports require the use of weights to keep from turning over, the use of sandbags with dry, cohesionless sand should be used.
2. The sandbags will be tied shut to keep the sand from spilling and to maintain a constant weight.
3. Rock, concrete, iron, steel or other solid objects shall not be permitted for use as sign support weights.
4. Sandbags should weigh a minimum of 35 lbs and a maximum of 50 lbs.
5. Sandbags shall be made of a durable material that tears upon vehicular impact. Rubber (such as tire inner tubes) shall NOT be used.
6. Rubber ballasts designed for channelizing devices should not be used for ballast on portable sign supports. Sign supports designed and manufactured with rubber bases may be used when shown on the CWZTCO list.
7. Sandbags shall only be placed along or laid over the base supports of the traffic control device and shall not be suspended above ground level or hung with rope, wire, chains or other fasteners. Sandbags shall be placed along the length of the skids to weigh down the sign support.
8. Sandbags shall NOT be placed under the skid and shall not be used to level sign supports placed on slopes.

FLAGS ON SIGNS

1. Flags may be used to draw attention to warning signs. When used, the flag shall be 16 inches square or larger and shall be orange or fluorescent red-orange in color. Flags shall not be allowed to cover any portion of the sign face.



BARRICADE AND CONSTRUCTION TEMPORARY SIGN NOTES

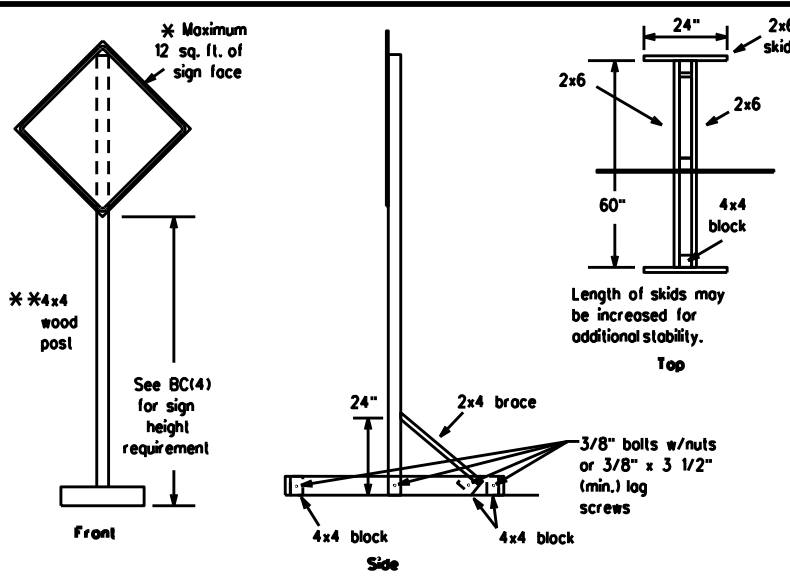
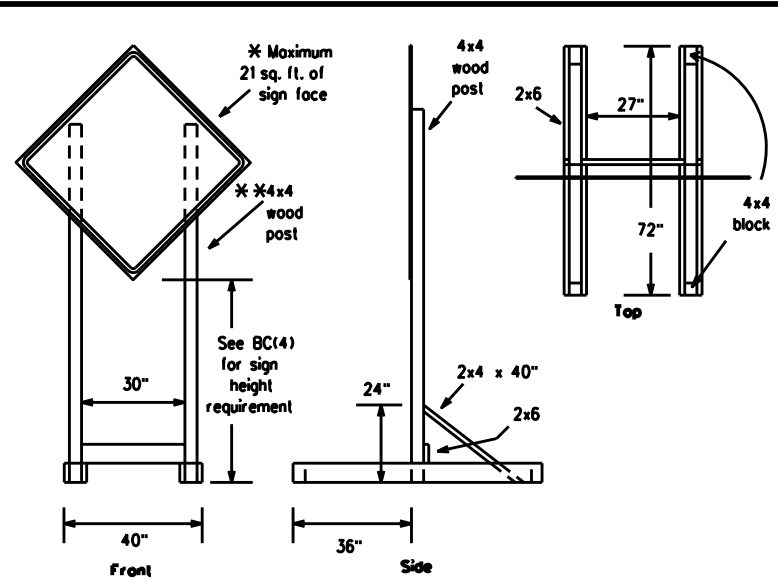
BC(4)-21

FILE: bc-21.dgn	DN: TxDOT	CK: TxDOT	DW: TxDOT	CK: TxDOT
© TxDOT November 2002	CONT: 6460	SECT: 99	JOB: 001	HIGHWAY: IH20, etc.
REVISIONS: 9-07 8-14	DIST: 08	COUNTY: Taylor, ETC.	SHEET NO.: 11	
7-13 5-21				

DISCLAIMER: The use of this standard is governed by the "Texas Engineering Practice Act". No warranty of any kind is made by TxDOT for any purpose whatsoever. TxDOT assumes no responsibility for the conversion of this standard to other formats or for incorrect results or damages resulting from its use.

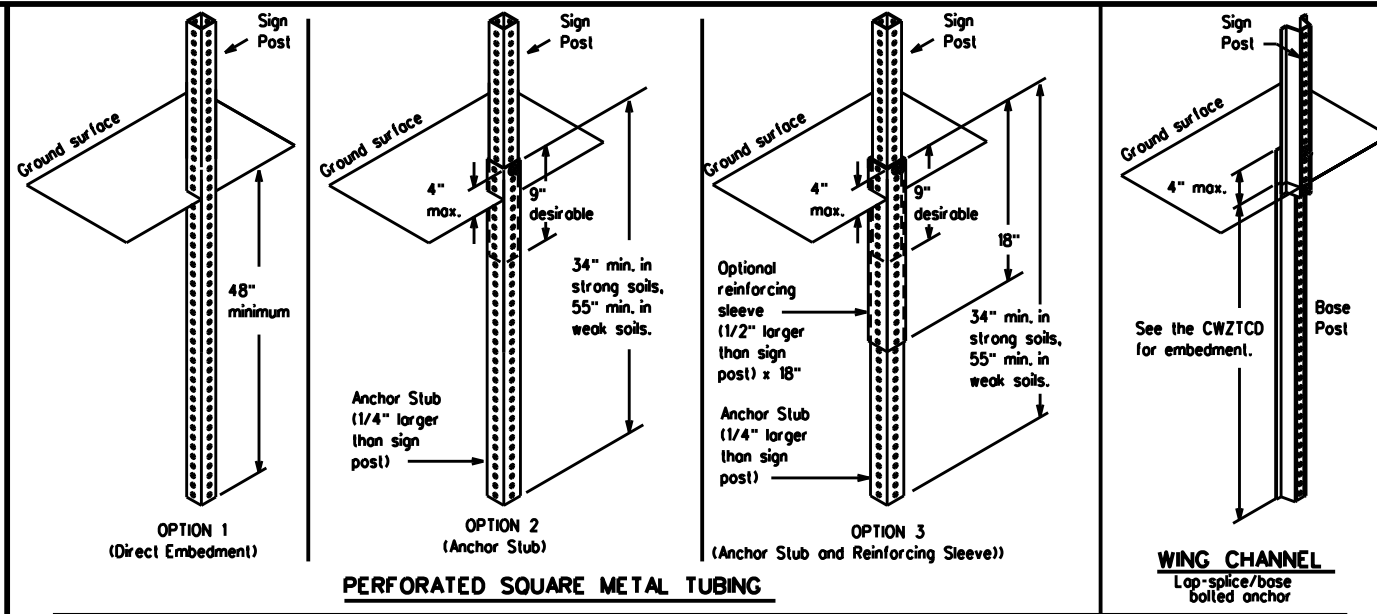
DATE: FILE:

DISCLAIMER: The use of this standard is governed by the "Texas Engineering Practice Act". No warranty of any kind is made by TxDOT for any purpose whatsoever. TxDOT assumes no responsibility for the conversion of this standard to other formats or for incorrect results or damages resulting from its use.



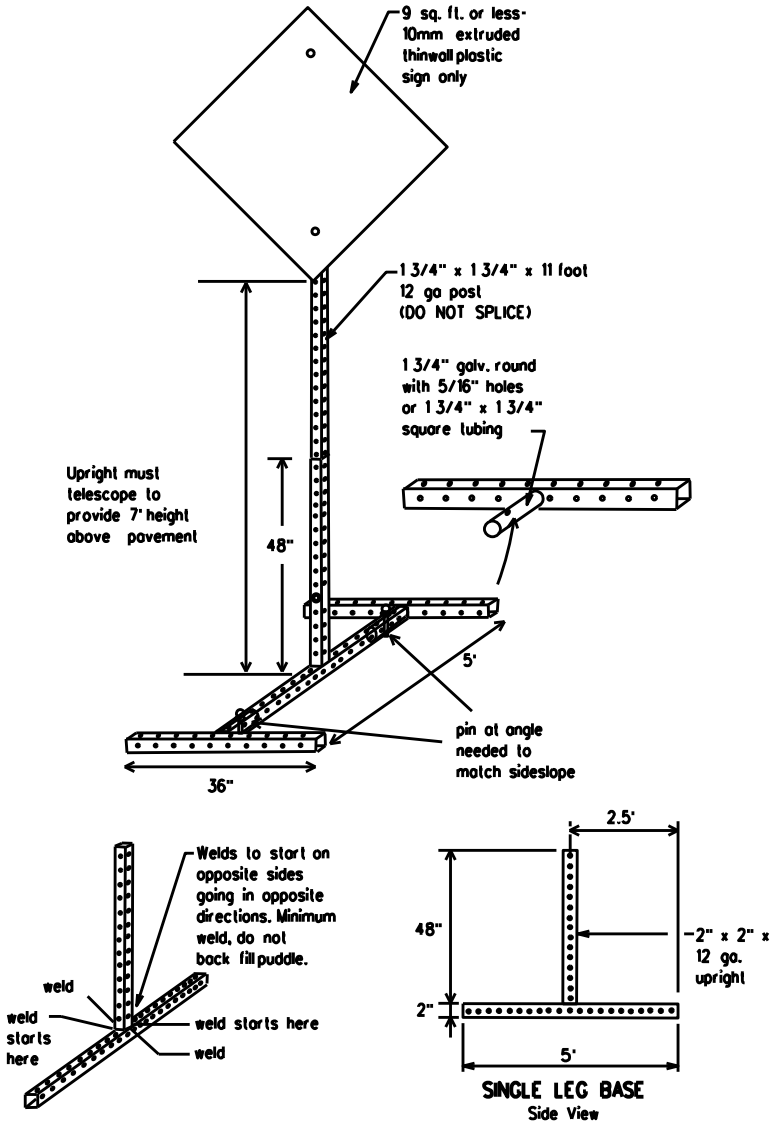
SKID MOUNTED WOOD SIGN SUPPORTS

* LONG/INTERMEDIATE TERM STATIONARY - PORTABLE SKID MOUNTED SIGN SUPPORTS



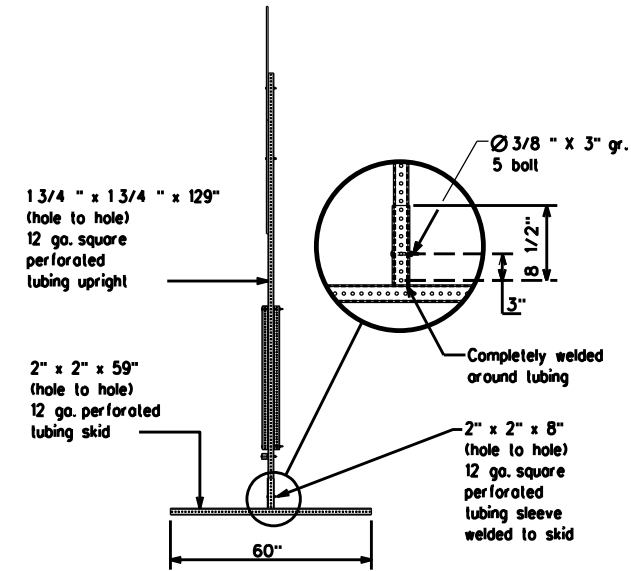
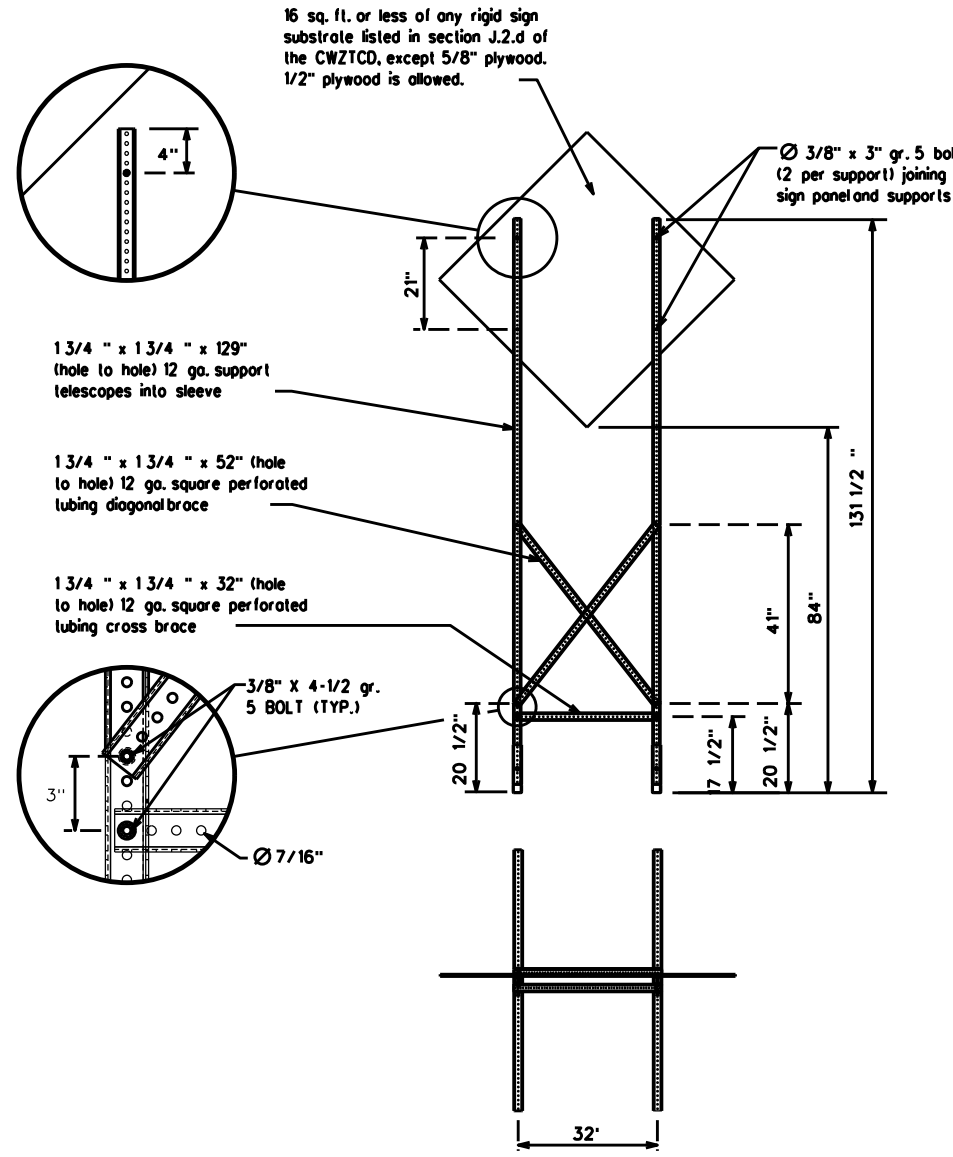
GROUND MOUNTED SIGN SUPPORTS

Refer to the CWZTCD and the manufacturer's installation procedure for each type sign support. The maximum sign square footage shall adhere to the manufacturer's recommendation. Two post installations can be used for larger signs.



SKID MOUNTED PERFORATED SQUARE STEEL TUBING SIGN SUPPORTS

* LONG/INTERMEDIATE TERM STATIONARY - PORTABLE SKID MOUNTED SIGN SUPPORTS



WEDGE ANCHORS

Both steel and plastic Wedge Anchor Systems as shown on the SMD Standard Sheets may be used as temporary sign supports for signs up to 10 square feet of sign face. They may be set in concrete or in sturdy soils if approved by the Engineer. (See web address for "Traffic Engineering Standard Sheets" on BC(1)).

OTHER DESIGNS

MORE DETAILS OF APPROVED LONG/INTERMEDIATE AND SHORT TERM SUPPORTS CAN BE FOUND ON THE CWZTCD LIST. SEE BC(1) FOR WEBSITE LOCATION.

GENERAL NOTES

1. Nails may be used in the assembly of wooden sign supports, but 3/8" bolts with nuts or 3/8" x 3 1/2" lag screws must be used on every joint for final connection.
2. No more than 2 sign posts shall be placed within a 7 ft. circle, except for specific materials noted on the CWZTCD List.
3. When project is completed, all sign supports and foundations shall be removed from the project site. This will be considered subsidiary to Item 502.

- * See BC(4) for definition of "Work Duration."
- ** Wood sign posts MUST be one piece. Splicing will NOT be allowed. Posts shall be painted white.
- See the CWZTCD for the type of sign substrate that can be used for each approved sign support.

SHEET 5 OF 12



BARRICADE AND CONSTRUCTION TYPICAL SIGN SUPPORT

BC(5)-21

FILE: bc-21.dgn	DN: TxDOT	CK: TxDOT	DW: TxDOT	CK: TxDOT
© TxDOT November 2002	CONT: 6460	SECT: 99	JOB: H20, etc.	HIGHWAY: 001
REVISIONS: 9-07 8-14	DIST: 08	COUNTY: Taylor, ETC.	SHEET NO. 12	
7-13 5-21				

DATE: FILE:

WHEN NOT IN USE, REMOVE THE PCMS FROM THE RIGHT-OF-WAY OR PLACE THE PCMS BEHIND BARRIER OR GUARDRAIL WITH SIGN PANEL TURNED PARALLEL TO TRAFFIC

RECOMMENDED PHASES AND FORMATS FOR PCMS MESSAGES DURING ROADWORK ACTIVITIES

(The Engineer may approve other messages not specifically covered here.)

PORTABLE CHANGEABLE MESSAGE SIGNS

- The Engineer/Inspector shall approve all messages used on portable changeable message signs (PCMS).
- Messages on PCMS should contain no more than 8 words (about four to eight characters per word), not including simple words such as "TO," "FOR," "AT," etc.
- Messages should consist of a single phase, or two phases that alternate. Three-phase messages are not allowed. Each phase of the message should convey a single thought, and must be understood by itself.
- Use the word "EXIT" to refer to an exit ramp on a freeway; i.e., "EXIT CLOSED." Do not use the term "RAMP."
- Always use the route or interstate designation (IH, US, SH, FM) along with the number when referring to a roadway.
- When in use, the bottom of a stationary PCMS message panel should be a minimum 7 feet above the roadway, where possible.
- The message term "WEEKEND" should be used only if the work is to start on Saturday morning and end by Sunday evening at midnight. Actual days and hours of work should be displayed on the PCMS if work is to begin on Friday evening and/or continue into Monday morning.
- The Engineer/Inspector may select one of two options which are available for displaying a two-phase message on a PCMS. Each phase may be displayed for either four seconds each or for three seconds each.
- Do not "flash" messages or words included in a message. The message should be steady burn or continuous while displayed.
- Do not present redundant information on a two-phase message; i.e., keeping two lines of the message the same and changing the third line.
- Do not use the word "Danger" in message.
- Do not display the message "LANES SHIFT LEFT" or "LANES SHIFT RIGHT" on a PCMS. Drivers do not understand the message.
- Do not display messages that scroll horizontally or vertically across the face of the sign.
- The following table lists abbreviated words and two-word phrases that are acceptable for use on a PCMS. Both words in a phrase must be displayed together. Words or phrases not on this list should not be abbreviated, unless shown in the TMUTCD.
- PCMS character height should be at least 18 inches for trailer mounted units. They should be visible from at least 1/2 (.5) mile and the text should be legible from at least 600 feet at night and 800 feet in daylight. Truck mounted units must have a character height of 10 inches and must be legible from at least 400 feet.
- Each line of text should be centered on the message board rather than left or right justified.
- If disabled, the PCMS should default to an illegible display that will not alarm motorists and will only be used to alert workers that the PCMS has malfunctioned. A pattern such as a series of horizontal solid bars is appropriate.

DISCLAIMER: The use of this standard is governed by the "Texas Engineering Practice Act." No warranty of any kind is made by TxDOT for any purpose whatsoever. TxDOT assumes no responsibility for the conversion of this standard to other formats or for incorrect results or damages resulting from its use.

WORD OR PHRASE	ABBREVIATION	WORD OR PHRASE	ABBREVIATION
Access Road	ACCS RD	Major	MAJ
Alternate	ALT	Miles	MI
Avenue	AVE	Miles Per Hour	MPH
Best Route	BEST RTE	Minor	MNR
Boulevard	BLVD	Monday	MON
Bridge	BRDC	Normal	NORM
Canal	CANT	North	N
Center	CTR	Northbound	(route) N
Construction Ahead	CONST AHD	Parking	PKING
CROSSING	XING	Road	RD
Detour Route	DETOUR RTE	Right Lane	RT LN
Do Not	DONT	Saturday	SAT
East	E	Service Road	SERV RD
Eastbound	(route) E	Shoulder	SHLDR
Emergency	EMER	Slippery	SLIP
Emergency Vehicle	EMER VEH	South	S
Entrance, Enter	ENT	Southbound	(route) S
Express Lane	EXP LN	Speed	SPD
Expressway	EXPWY	Street	ST
XXXX Feet	XXXX FT	Sunday	SUN
Fog Ahead	FOG AHD	Telephone	PHONE
Freeway	FRWY, FWY	Temporary	TEMP
Freeway Blocked	FWY BLKD	Thursday	THURS
Friday	FRI	To Downtown	TO DWNTN
Hazardous Driving	HAZ DRIVING	Traffic	TRAF
Hazardous Material	HAZMAT	Travelers	TRVLR
High Occupancy Vehicle	HOV	Tuesday	TUES
Hour(s)	HR, HRS	Time Minutes	TIME MIN
Information	INFO	Upper Level	UPR LEVEL
It Is	ITS	Vehicles (s)	VEH, VEHs
Junction	JCT	Warning	WARN
Left	LFT	Wednesday	WED
Left Lane	LFT LN	Weight Limit	WT LIMIT
Lane Closed	LN CLOSED	West	W
Lower Level	LWR LEVEL	Westbound	(route) W
Maintenance	MAINT	Wet Pavement	WET PVMT
		Will Not	WONT

Roadway designation = IH-number, US-number, SH-number, FM-number

Phase 1: Condition Lists

Road/Lane/Ramp Closure List

FREEWAY CLOSED X MILE
ROAD CLOSED AT SH XXX
ROAD CLSD AT FM XXXX
RIGHT X LANES CLOSED
CENTER LANE CLOSED
NIGHT LANE CLOSURES
VARIOUS LANES CLOSED
EXIT CLOSED
MALL DRIVEWAY CLOSED
XXXXXXXX BLVD CLOSED

Other Condition List

FRONTAGE ROAD CLOSED
SHOULDER CLOSED XXX FT
RIGHT LN CLOSED XXX FT
RIGHT X LANES OPEN
DAYTIME LANE CLOSURES
I-XX SOUTH EXIT CLOSED
EXIT XXX CLOSED X MILE
RIGHT LN TO BE CLOSED
X LANES CLOSED TUE - FRI
ROADWORK XXX FT
FLAGGER XXXX FT
RIGHT LN NARROWS XXXX FT
MERGING TRAFFIC XXXX FT
LOOSE GRAVEL XXXX FT
DETOUR X MILE
ROADWORK PAST SH XXXX
BUMP XXXX FT
TRAFFIC SIGNAL XXXX FT
ROAD REPAIRS XXXX FT
LANE NARROWS XXXX FT
TWO-WAY TRAFFIC XX MILE
CONST TRAFFIC XXX FT
UNEVEN LANES XXXX FT
ROUGH ROAD XXXX FT
ROADWORK NEXT FRI-SUN
US XXX EXIT X MILES
LANES SHIFT

* LANES SHIFT in Phase 1 must be used with STAY IN LANE in Phase 2.

Phase 2: Possible Component Lists

Action to Take/Effect on Travel List

MERGE RIGHT
DETOUR NEXT X EXITS
USE EXIT XXX
STAY ON US XXX SOUTH
TRUCKS USE US XXX N
WATCH FOR TRUCKS
EXPECT DELAYS
REDUCE SPEED XXX FT
USE OTHER ROUTES
STAY IN LANE
FORM X LINES RIGHT
USE XXXXX RD EXIT
USE EXIT I-XX NORTH
USE I-XX E TO I-XX N
WATCH FOR TRUCKS
EXPECT DELAYS
END SHOULDER USE
WATCH FOR WORKERS

Location List

AT FM XXXX
BEFORE RAILROAD CROSSING
NEXT X MILES
PAST US XXX EXIT
XXXXXXXX TO XXXXXXX
US XXX TO FM XXXX

Warning List

SPEED LIMIT XX MPH
MAXIMUM SPEED XX MPH
MINIMUM SPEED XX MPH
ADVISORY SPEED XX MPH
RIGHT LANE EXIT
USE CAUTION
DRIVE SAFELY
DRIVE WITH CARE

* * Advance Notice List

TUE-FRI XX AM-X PM
APR XX-XX X PM-X AM
BEGINS MONDAY
BEGINS MAY XX
MAY X-X XX PM-XX AM
NEXT FRI-SUN
XX AM TO XX PM
NEXT TUE AUG XX
TONIGHT XX PM-XX AM

* * See Application Guidelines Note 6.

APPLICATION GUIDELINES

- Only 1 or 2 phases are to be used on a PCMS.
- The 1st phase (or both) should be selected from the "Road/Lane/Ramp Closure List" and the "Other Condition List".
- A 2nd phase can be selected from the "Action to Take/Effect on Travel, Location, General Warning, or Advance Notice Phase Lists".
- A Location Phase is necessary only if a distance or location is not included in the first phase selected.
- If two PCMS are used in sequence, they must be separated by a minimum of 1000 ft. Each PCMS should be limited to two phases, and should be understandable by themselves.
- For advance notice, when the current date is within seven days of the actual work date, calendar days should be replaced with days of the week. Advance notification should typically be for no more than one week prior to the work.

WORDING ALTERNATIVES

- The words RIGHT, LEFT and ALL can be interchanged as appropriate.
- Roadway designations IH, US, SH, FM and LP can be interchanged as appropriate.
- EAST, WEST, NORTH and SOUTH (or abbreviations E, W, N and S) can be interchanged as appropriate.
- Highway names and numbers replaced as appropriate.
- ROAD, HIGHWAY and FREEWAY can be interchanged as needed.
- AHEAD may be used instead of distances if necessary.
- FT and MI, MILE and MILES interchanged as appropriate.
- AT, BEFORE and PAST interchanged as needed.
- Distances or AHEAD can be eliminated from the message if a location phase is used.

PCMS SIGNS WITHIN THE R.O.W. SHALL BE BEHIND GUARDRAIL OR CONCRETE BARRIER OR SHALL HAVE A MINIMUM OF FOUR (4) PLASTIC DRUMS PLACED PERPENDICULAR TO TRAFFIC ON THE UPSTREAM SIDE OF THE PCMS, WHEN EXPOSED TO ONE DIRECTION OF TRAFFIC. WHEN EXPOSED TO TWO WAY TRAFFIC, THE FOUR DRUMS SHOULD BE PLACED WITH ONE DRUM AT EACH OF THE FOUR CORNERS OF THE UNIT.

FULL MATRIX PCMS SIGNS

- When Full Matrix PCMS signs are used, the character height and legibility/visibility requirements shall be maintained as listed in Note 15 under "PORTABLE CHANGEABLE MESSAGE SIGNS" above.
- When symbol signs, such as the "Flogger Symbol" (CW20-7) are represented graphically on the Full Matrix PCMS sign and, with the approval of the Engineer, it shall maintain the legibility/visibility requirement listed above.
- When symbol signs are represented graphically on the Full Matrix PCMS, they shall only supplement the use of the static sign represented, and shall not substitute for, or replace that sign.
- A full matrix PCMS may be used to simulate a flashing arrow board provided it meets the visibility, flash rate and dimming requirements on BC(7), for the same size arrow.

SHEET 6 OF 12



BARRICADE AND CONSTRUCTION PORTABLE CHANGEABLE MESSAGE SIGN (PCMS)

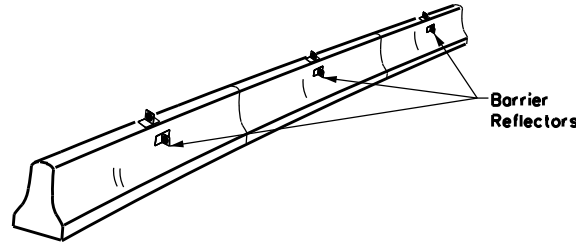
BC(6)-21

FILE: bc-21.dgn	DN: TxDOT	CK: TxDOT	DW: TxDOT	CK: TxDOT
© TxDOT November 2002	CONT: 6460	SECT: 99	JOB: 001	HIGHWAY: IH20, etc.
REVISIONS: 9-07 8-14	DIST: 08	COUNTY: Taylor, ETC.	SHEET NO. 13	
7-13 5-21				

DATE: FILE:

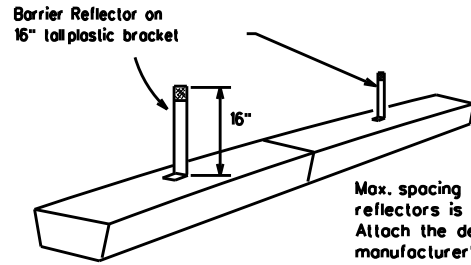
DISCLAIMER: The use of this standard is governed by the "Texas Engineering Practice Act". No warranty of any kind is made by TxDOT for any purpose whatsoever. TxDOT assumes no responsibility for the conversion of this standard to other formats or for incorrect results or damages resulting from its use.

- Barrier Reflectors shall be pre-qualified, and conform to the color and reflectivity requirements of DMS-8600. A list of prequalified Barrier Reflectors can be found at the Material Producer List web address shown on BC(1).
- Color of Barrier Reflectors shall be as specified in the TMUTCD. The cost of the reflectors shall be considered subsidiary to Item 512.



CONCRETE TRAFFIC BARRIER (CTB)

- Where traffic is on one side of the CTB, two (2) Barrier Reflectors shall be mounted in approximately the midsection of each section of CTB. An alternate mounting location is uniformly spaced at one end of each CTB. This will allow for attachment of a barrier grapple without damaging the reflector. The Barrier Reflector mounted on the side of the CTB shall be located directly below the reflector mounted on top of the barrier, as shown in the detail above.
- Where CTB separates two-way traffic, three barrier reflectors shall be mounted on each section of CTB. The reflector unit on top shall have two yellow reflective faces (Bi-Directional) while the reflectors on each side of the barrier shall have one yellow reflective face, as shown in the detail above.
- When CTB separates traffic traveling in the same direction, no barrier reflectors will be required on top of the CTB.
- Barrier Reflector units shall be yellow or white in color to match the edge line being supplemented.
- Maximum spacing of Barrier Reflectors is forty (40) feet.
- Pavement markers or temporary flexible-reflective roadway marker tabs shall NOT be used as CTB delineation.
- Attachment of Barrier Reflectors to CTB shall be per manufacturer's recommendations.
- Missing or damaged Barrier Reflectors shall be replaced as directed by the Engineer.
- Single slope barriers shall be delineated as shown on the above detail.



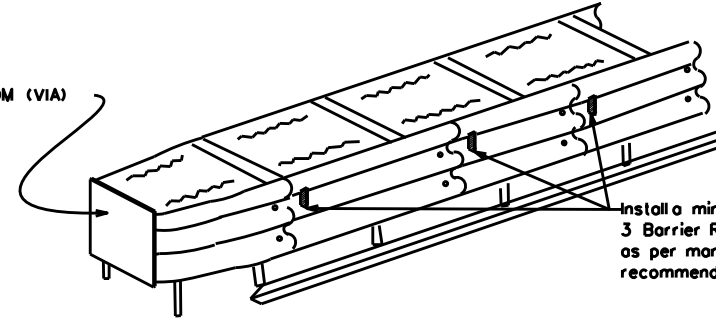
LOW PROFILE CONCRETE BARRIER (LPCB) USED IN WORK ZONES

LPCB is approved for use in work zone locations, where the posted speed is 45mph, or less. See Roadway Standard Sheet LPCB.

Max. spacing of barrier reflectors is 20 feet. Attach the delineators as per manufacturer's recommendations.

LOW PROFILE CONCRETE BARRIER (LPCB)

See D & OM (VIA)



Install a minimum of 3 Barrier Reflectors as per manufacturer's recommendations.

DELINEATION OF END TREATMENTS

END TREATMENTS FOR CTB'S USED IN WORK ZONES

End treatments used on CTB's in work zones shall meet the appropriate crashworthy standards as defined in the Manual for Assessing Safety Hardware (MASH). Refer to the CWZTC List for approved end treatments and manufacturers.

BARRIER REFLECTORS FOR CONCRETE TRAFFIC BARRIER AND ATTENUATORS

WARNING LIGHTS

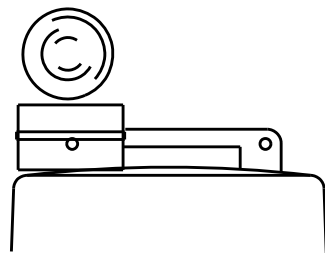
- Warning lights shall meet the requirements of the TMUTCD.
- Warning lights shall NOT be installed on barricades.
- Type A-Low Intensity Flashing Warning Lights are commonly used with drums. They are intended to warn of or mark a potentially hazardous area. Their use shall be as indicated on this sheet and/or other sheets of the plans by the designation "FL". The Type A Warning Lights shall not be used with signs manufactured with Type B or C sheeting, meeting the requirements of Departmental Material Specification DMS-8300.
- Type-C and Type D 360 degree Steady Burn Lights are intended to be used in a series for delineation to supplement other traffic control devices. Their use shall be as indicated on this sheet and/or other sheets of the plans by the designation "SB".
- The Engineer/Inspector or the plans shall specify the location and type of warning lights to be installed on the traffic control devices.
- When required by the Engineer, the Contractor shall furnish a copy of the warning light certification. The warning light manufacturer will certify the warning lights meet the requirements of the latest ITE Purchase Specifications for Flashing and Steady-Burn Warning Lights.
- When used to delineate curves, Type-C and Type D Steady Burn Lights should only be placed on the outside of the curve, not the inside.
- The location of warning lights and warning reflectors on drums shall be as shown elsewhere in the plans.

WARNING LIGHTS MOUNTED ON PLASTIC DRUMS

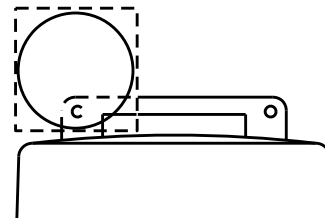
- Type A flashing warning lights are intended to warn drivers that they are approaching or are in a potentially hazardous area.
- Type A random flashing warning lights are not intended for delineation and shall not be used in a series.
- A series of sequential flashing warning lights placed on channelizing devices to form a merging taper may be used for delineation. If used, the successive flashing of the sequential warning lights should occur from the beginning of the taper to the end of the merging taper in order to identify the desired vehicle path. The rate of flashing for each light shall be 65 flashes per minute, plus or minus 10 flashes.
- Type C and D steady-burn warning lights are intended to be used in a series to delineate the edge of the travel lane on detours, on lane changes, on lane closures, and on other similar conditions.
- Type A, Type C and Type D warning lights shall be installed at locations as detailed on other sheets in the plans.
- Warning lights shall not be installed on a drum that has a sign, chevron or vertical panel.
- The maximum spacing for warning lights on drums should be identical to the channelizing device spacing.

WARNING REFLECTORS MOUNTED ON PLASTIC DRUMS AS A SUBSTITUTE FOR TYPE C (STEADY BURN) WARNING LIGHTS

- A warning reflector or approved substitute may be mounted on a plastic drum as a substitute for a Type C, steady burn warning light at the discretion of the Contractor unless otherwise noted in the plans.
- The warning reflector shall be yellow in color and shall be manufactured using a sign substrate approved for use with plastic drums listed on the CWZTC.
- The warning reflector shall have a minimum retroreflective surface area (one-side) of 30 square inches.
- Round reflectors shall be fully reflectorized, including the area where attached to the drum.
- Square substrates must have a minimum of 30 square inches of reflectorized sheeting. They do not have to be reflectorized where it attaches to the drum.
- The side of the warning reflector facing approaching traffic shall have sheeting meeting the color and retroreflectivity requirements for DMS 8300-Type B or Type C.
- When used near two-way traffic, both sides of the warning reflector shall be reflectorized.
- The warning reflector should be mounted on the side of the handle nearest approaching traffic.
- The maximum spacing for warning reflectors should be identical to the channelizing device spacing requirements.



Type C Warning Light or approved substitute mounted on a drum adjacent to the travel way.

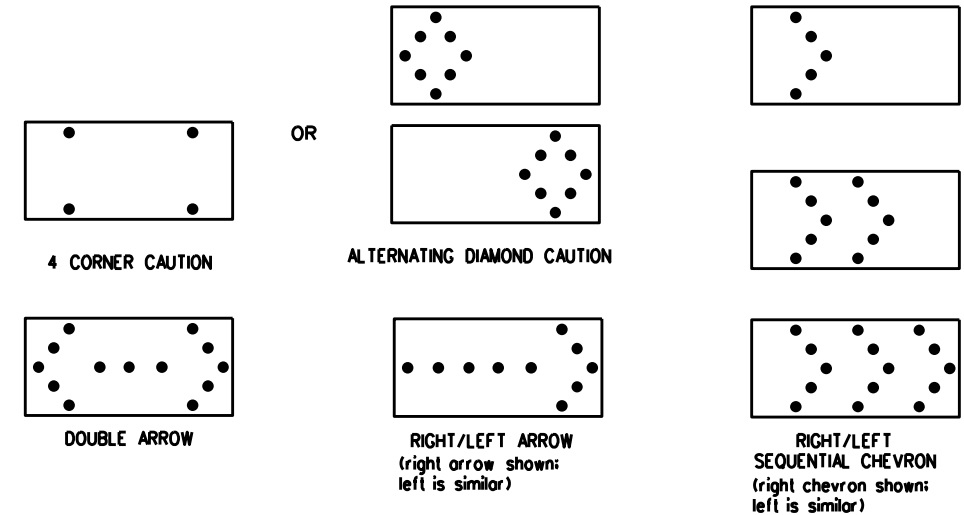


Warning reflector may be round or square. Must have a yellow reflective surface area of at least 30 square inches

DATE:
FILE:

Arrow Boards may be located behind channelizing devices in place for a shoulder taper or merging taper, otherwise they shall be delineated with four (4) channelizing devices placed perpendicular to traffic on the upstream side of traffic.

- The Flashing Arrow Board should be used for all lane closures on multi-lane roadways, or slow moving maintenance or construction activities on the travel lanes.
- Flashing Arrow Boards should not be used on two-lane, two-way roadways, detours, diversions or work on shoulders unless the "CAUTION" display (see detail below) is used.
- The Engineer/Inspector shall choose all appropriate signs, barricades and/or other traffic control devices that should be used in conjunction with the Flashing Arrow Board.
- The Flashing Arrow Board should be able to display the following symbols:



- The "CAUTION" display consists of four corner lamps flashing simultaneously, or the Alternating Diamond Caution mode as shown.
- The straight line caution display is NOT ALLOWED.
- The Flashing Arrow Board shall be capable of minimum 50 percent dimming from rated lamp voltage. The flashing rate of the lamps shall not be less than 25 nor more than 40 flashes per minute.
- Minimum lamp "on time" shall be approximately 50 percent for the flashing arrow and equal intervals of 25 percent for each sequential phase of the flashing chevron.
- The sequential arrow display is NOT ALLOWED.
- The flashing arrow display is the TxDOT standard; however, the sequential chevron display may be used during daylight operations.
- The Flashing Arrow Board shall be mounted on a vehicle, trailer or other suitable support.
- A Flashing Arrow Board SHALL NOT BE USED to laterally shift traffic.
- A full matrix PCMS may be used to simulate a Flashing Arrow Board provided it meets visibility, flash rate and dimming requirements on this sheet for the same size arrow.
- Minimum mounting height of trailer mounted Arrow Boards should be 7 feet from roadway to bottom of panel.

REQUIREMENTS			
TYPE	MINIMUM SIZE	MINIMUM NUMBER OF PANEL LAMPS	MINIMUM VISIBILITY DISTANCE
B	30 x 60	13	3/4 mile
C	48 x 96	15	1 mile

ATTENTION
Flashing Arrow Boards shall be equipped with automatic dimming devices.

WHEN NOT IN USE, REMOVE THE ARROW BOARD FROM THE RIGHT-OF-WAY OR PLACE THE ARROW BOARD BEHIND CONCRETE TRAFFIC BARRIER OR GUARDRAIL.

FLASHING ARROW BOARDS

SHEET 7 OF 12

TRUCK-MOUNTED ATTENUATORS

- Truck-mounted attenuators (TMA) used on TxDOT facilities must meet the requirements outlined in the Manual for Assessing Safety Hardware (MASH).
- Refer to the CWZTC for the requirements of Level 2 or Level 3 TMAs.
- Refer to the CWZTC for a list of approved TMAs.
- TMAs are required on freeways unless otherwise noted in the plans.
- A TMA should be used anytime that it can be positioned 30 to 100 feet in advance of the area of crew exposure without adversely affecting the work performance.
- The only reason a TMA should not be required is when a work area is spread down the roadway and the work crew is on an extended distance from the TMA.



BARRICADE AND CONSTRUCTION ARROW PANEL, REFLECTORS, WARNING LIGHTS & ATTENUATOR

BC(7)-21

FILE: bc-21.dgn	DN: TxDOT	CK: TxDOT	DW: TxDOT	CK: TxDOT
© TxDOT November 2002	CONT: 6460	SECT: 99	JOB: 001	HIGHWAY: #20, etc.
REVISIONS: 9-07 8-14 7-13 5-21	DIST: 08	COUNTY: Taylor, ETC.	SHEET NO. 14	

DISCLAIMER: The use of this standard is governed by the "Texas Engineering Practice Act". No warranty of any kind is made by TxDOT for any purpose whatsoever. TxDOT assumes no responsibility for the conversion of this standard to other formats or for incorrect results or damages resulting from its use.

GENERAL NOTES

- For long term stationary work zones on freeways, drums shall be used as the primary channelizing device.
- For intermediate term stationary work zones on freeways, drums should be used as the primary channelizing device but may be replaced in tangent sections by vertical panels, or 42" two-piece cones. In tangent sections, one-piece cones may be used with the approval of the Engineer but only if personnel are present on the project at all times to maintain the cones in proper position and location.
- For short term stationary work zones on freeways, drums are the preferred channelizing device but may be replaced in tapers, transitions and tangent sections by vertical panels, two-piece cones or one-piece cones as approved by the Engineer.
- Drums and all related items shall comply with the requirements of the current version of the "Texas Manual on Uniform Traffic Control Devices" (TMUTCD) and the "Compliant Work Zone Traffic Control Devices List" (CWZTCD).
- Drums, bases, and related materials shall exhibit good workmanship and shall be free from objectionable marks or defects that would adversely affect their appearance or serviceability.
- The Contractor shall have a maximum of 24 hours to replace any plastic drums identified for replacement by the Engineer/Inspector. The replacement device must be an approved device.

GENERAL DESIGN REQUIREMENTS

Pre-qualified plastic drums shall meet the following requirements:

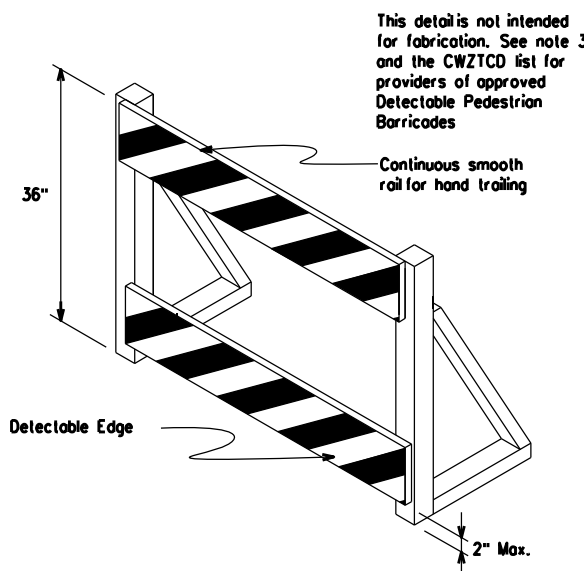
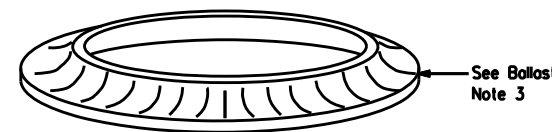
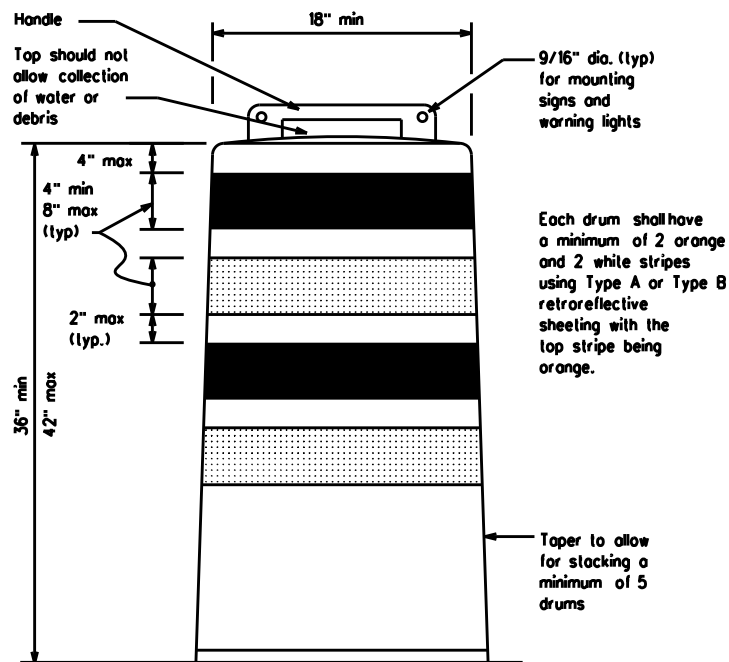
- Plastic drums shall be a two-piece design; the "body" of the drum shall be the top portion and the "base" shall be the bottom.
- The body and base shall lock together in such a manner that the body separates from the base when impacted by a vehicle traveling at a speed of 20 MPH or greater but prevents accidental separation due to normal handling and/or air turbulence created by passing vehicles.
- Plastic drums shall be constructed of lightweight flexible, and deformable materials. The Contractor shall NOT use metal drums or single piece plastic drums as channelization devices or sign supports.
- Drums shall present a profile that is a minimum of 18 inches in width at the 36 inch height when viewed from any direction. The height of drum unit (body installed on base) shall be a minimum of 36 inches and a maximum of 42 inches.
- The top of the drum shall have a built-in handle for easy pickup and shall be designed to drain water and not collect debris. The handle shall have a minimum of two widely spaced 9/16 inch diameter holes to allow attachment of a warning light, warning reflector unit or approved compliant sign.
- The exterior of the drum body shall have a minimum of four alternating orange and white retroreflective circumferential stripes not less than 4 inches nor greater than 8 inches in width. Any non-reflectORIZED space between any two adjacent stripes shall not exceed 2 inches in width.
- Bases shall have a maximum width of 36 inches, a maximum height of 4 inches, and a minimum of two footholds of sufficient size to allow base to be held down while separating the drum body from the base.
- Plastic drums shall be constructed of ultra-violet stabilized, orange, high-density polyethylene (HDPE) or other approved material.
- Drum body shall have a maximum unballasted weight of 11 lbs.
- Drum and base shall be marked with manufacturer's name and model number.

RETROREFLECTIVE SHEETING

- The stripes used on drums shall be constructed of sheeting meeting the color and retroreflectivity requirements of Departmental Materials Specification DMS-8300, "Sign Face Materials." Type A or Type B reflective sheeting shall be supplied unless otherwise specified in the plans.
- The sheeting shall be suitable for use on and shall adhere to the drum surface such that, upon vehicular impact, the sheeting shall remain adhered in-place and exhibit no delaminating, cracking, or loss of retroreflectivity other than that loss due to abrasion of the sheeting surface.

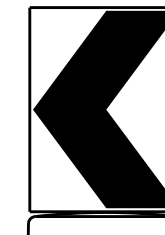
BALLAST

- Unballasted bases shall be large enough to hold up to 50 lbs. of sand. This base, when filled with the ballast material, should weigh between 35 lbs (minimum) and 50 lbs (maximum). The ballast may be sand in one to three sandbags separate from the base, sand in a sand-filled plastic base, or other ballasting devices as approved by the Engineer. Stacking of sandbags will be allowed, however height of sandbags above pavement surface may not exceed 12 inches.
- Bases with built-in ballast shall weigh between 40 lbs. and 50 lbs. Built-in ballast can be constructed of an integral crumb rubber base or a solid rubber base.
- Recycled truck tire sidewalls may be used for ballast on drums approved for this type of ballast on the CWZTCD list.
- The ballast shall not be heavy objects, water, or any material that would become hazardous to motorists, pedestrians, or workers when the drum is struck by a vehicle.
- When used in regions susceptible to freezing, drums shall have drainage holes in the bottoms so that water will not collect and freeze becoming a hazard when struck by a vehicle.
- Ballast shall not be placed on top of drums.
- Adhesives may be used to secure base of drums to pavement.

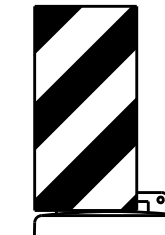


DETECTABLE PEDESTRIAN BARRICADES

- When existing pedestrian facilities are disrupted, closed, or relocated in a TTC zone, the temporary facilities shall be detectable and include accessibility features consistent with the features present in the existing pedestrian facility. Refer to WZ(BTS-2) for Pedestrian Control requirements for Sidewalk Diversions, Sidewalk Detours and Crosswalk Closures.
- Where pedestrians with visual disabilities normally use the closed sidewalk, a Detectable Pedestrian Barricade shall be placed across the full width of the closed sidewalk instead of a Type 3 Barricade.
- Detectable pedestrian barricades similar to the one pictured above, longitudinal channelizing devices, some concrete barriers, and wood or chain link fencing with a continuous detectable edging can satisfactorily delineate a pedestrian path.
- Tape, rope, or plastic chain strung between devices are not detectable, do not comply with the design standards in the "Americans with Disabilities Act Accessibility Guidelines (ADAAG)" and should not be used as a control for pedestrian movements.
- Warning lights shall not be attached to detectable pedestrian barricades.
- Detectable pedestrian barricades should use 8" nominal barricade rails as shown on BC(10) provided that the top rail provides a smooth continuous rail suitable for hand trailing with no splinters, burrs, or sharp edges.



18" x 24" Sign
(Maximum Sign Dimension)
Chevron CW1-8, Opposing Traffic Lane Divider, Driveway sign D70a, Keep Right R4 series or other signs as approved by Engineer



12" x 24" Vertical Panel
mount with diagonals sloping down towards travel way

Plywood, Aluminum or Metal sign substrates shall NOT be used on plastic drums

SIGNS, CHEVRONS, AND VERTICAL PANELS MOUNTED ON PLASTIC DRUMS

- Signs used on plastic drums shall be manufactured using substrates listed on the CWZTCD.
- Chevrons and other work zone signs with an orange background shall be manufactured with Type B or Type C Orange sheeting meeting the color and retroreflectivity requirements of DMS-8300, "Sign Face Material," unless otherwise specified in the plans.
- Vertical Panels shall be manufactured with orange and white sheeting meeting the requirements of DMS-8300 Type A or Type B. Diagonal stripes on Vertical Panels shall slope down toward the intended traveled lane.
- Other sign messages (text or symbolic) may be used as approved by the Engineer. Sign dimensions shall not exceed 18 inches in width or 24 inches in height, except for the R9 series signs discussed in note 8 below.
- Signs shall be installed using a 1/2 inch bolt (nominal) and nut, two washers, and one locking washer for each connection.
- Mounting bolts and nuts shall be fully engaged and adequately torqued. Bolts should not extend more than 1/2 inch beyond nuts.
- Chevrons may be placed on drums on the outside of curves, on merging tapers or on shifting tapers. When used in these locations, they may be placed on every drum or spaced not more than on every third drum. A minimum of three (3) should be used at each location called for in the plans.
- R9-9, R9-10, R9-11 and R9-11a Sidewalk Closed signs which are 24 inches wide may be mounted on plastic drums, with approval of the Engineer.



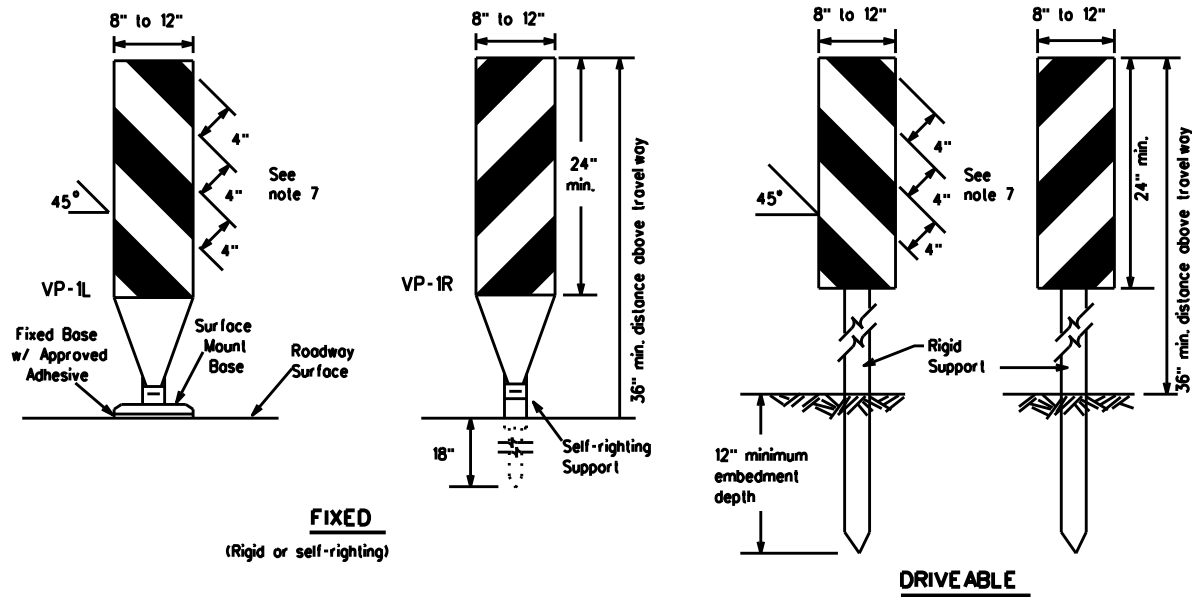
BARRICADE AND CONSTRUCTION CHANNELIZING DEVICES

BC(8)-21

FILE: bc-21.dgn	DN: TxDOT	CK: TxDOT	DW: TxDOT	CK: TxDOT
© TxDOT November 2002	CONT	SECT	JOB	HIGHWAY
REVISIONS	6460	99	001	IH20, etc.
4-03 8-14	DIST	COUNTY	SHEET NO.	
9-07 5-21	08	Taylor, ETC.	15	
7-13				

DATE:
FILE:

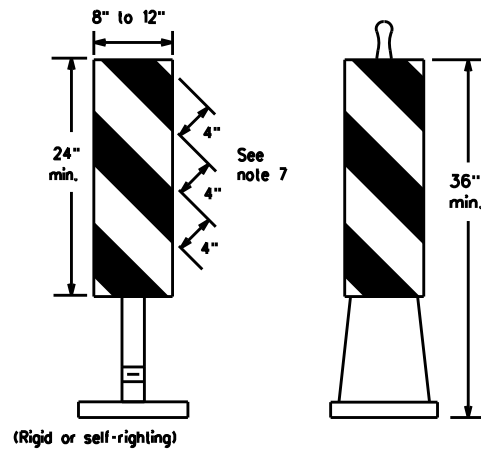
DISCLAIMER: The use of this standard is governed by the "Texas Engineering Practice Act". No warranty of any kind is made by TxDOT for any purpose whatsoever. TxDOT assumes no responsibility for the conversion of this standard to other formats or for incorrect results or damages resulting from its use.



FIXED
(Rigid or self-righting)

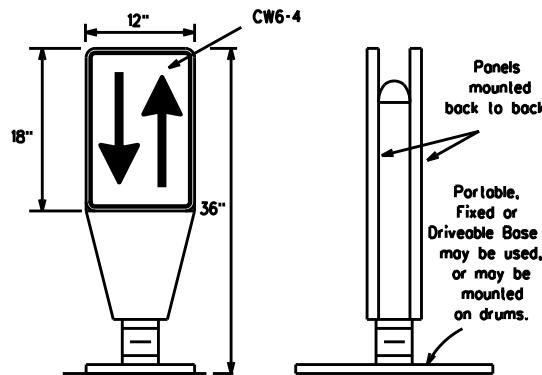
DRIVEABLE

- Vertical Panels (VP's) are normally used to channelize traffic or divide opposing lanes of traffic.
- VP's may be used in daytime or nighttime situations. They may be used at the edge of shoulder drop-offs and other areas such as lane transitions where positive daytime and nighttime delineation is required. The Engineer/Inspector shall refer to the Roadway Design Manual for additional requirements on the use VP's for drop-offs.
- VP's should be mounted back to back if used at the edge of cuts adjacent to two-way two lane roadways. Stripes are to be reflective orange and reflective white and should always slope downward toward the travel lane.
- VP's used on expressways and freeways or other high speed roadways, may have more than 270 square inches of retroreflective area facing traffic.
- Self-righting supports are available with portable base. See "Compliant Work Zone Traffic Control Devices List" (CWZTCD).
- Sheeting for the VP's shall be retroreflective Type A or Type B conforming to Departmental Material Specification DMS-8300, unless noted otherwise.
- Where the height of reflective material on the vertical panels is 36 inches or greater, a panel stripe of 6 inches shall be used.



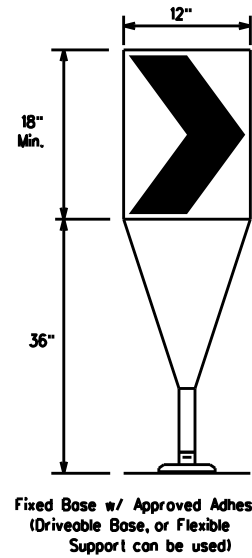
PORTABLE

VERTICAL PANELS (VPs)



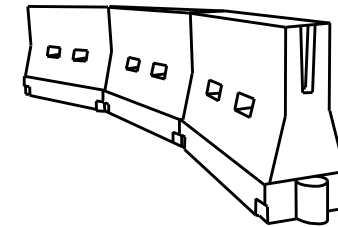
OPPOSING TRAFFIC LANE DIVIDERS (OTLD)

- Opposing Traffic Lane Dividers (OTLD) are delineation devices designed to convert a normal one-way roadway section to two-way operation. OTLD's are used on temporary centerlines. The upward and downward arrows on the sign's face indicate the direction of traffic on either side of the divider. The base is secured to the pavement with an adhesive or rubber weight to minimize movement caused by a vehicle impact or wind gust.
- The OTLD may be used in combination with 42" cones or VPs.
- Spacing between the OTLD shall not exceed 500 feet. 42" cones or VPs placed between the OTLD's should not exceed 100 foot spacing.
- The OTLD shall be orange with a black non-reflective legend. Sheeting for the OTLD shall be retroreflective Type B or Type C conforming to Departmental Material Specification DMS-8300, unless noted otherwise. The legend shall meet the requirements of DMS-8300.



- The chevron shall be a vertical rectangle with a minimum size of 12 by 18 inches.
- Chevrons are intended to give notice of a sharp change of alignment with the direction of travel and provide additional emphasis and guidance for vehicle operators with regard to changes in horizontal alignment of the roadway.
- Chevrons, when used, shall be erected on the outside of a sharp curve or turn, or on the far side of an intersection. They shall be in line with and at right angles to approaching traffic. Spacing should be such that the motorist always has three in view, until the change in alignment eliminates its need.
- To be effective, the chevron should be visible for at least 500 feet.
- Chevrons shall be orange with a black nonreflective legend. Sheeting for the chevron shall be retroreflective Type B or Type C conforming to Departmental Material Specification DMS-8300, unless noted otherwise. The legend shall meet the requirements of DMS-8300.
- For Long Term Stationary use on tapers or transitions on freeways and divided highways, self-righting chevrons may be used to supplement plastic drums but not to replace plastic drums.

CHEVRONS



LONGITUDINAL CHANNELIZING DEVICES (LCD)

- LCDs are crashworthy, lightweight, deformable devices that are highly visible, have good target value and can be connected together. They are not designed to contain or redirect a vehicle on impact.
- LCDs may be used instead of a line of cones or drums.
- LCDs shall be placed in accordance to application and installation requirements specific to the device, and used only when shown on the CWZTCD list.
- LCDs should not be used to provide positive protection for obstacles, pedestrians or workers.
- LCDs shall be supplemented with retroreflective delineation as required for temporary barriers on BC(7) when placed roughly parallel to the travel lanes.
- LCDs used as barricades placed perpendicular to traffic should have at least one row of reflective sheeting meeting the requirements for barricade rails as shown on BC(10). Place reflective sheeting near the top of the LCD along the full length of the device.

WATER BALLASTED SYSTEMS USED AS BARRIERS

- Water ballasted systems used as barriers shall not be used solely to channelize road users, but also to protect the work space per the appropriate Manual for Assessing Safety Hardware (MASH) crashworthiness requirements based on roadway speed and barrier application.
- Water ballasted systems used to channelize vehicular traffic shall be supplemented with retroreflective delineation or channelizing devices to improve daytime/nighttime visibility. They may also be supplemented with pavement markings.
- Water ballasted systems used as barriers shall be placed in accordance to application and installation requirements specific to the device, and used only when shown on the CWZTCD list.
- Water ballasted systems used as barriers should not be used for a merging taper except in low speed (less than 45 MPH) urban areas. When used on a taper in a low speed urban area, the taper shall be delineated and the taper length should be designed to optimize road user operations considering the available geometric conditions.
- When water ballasted systems used as barriers have blunt ends exposed to traffic, they should be attenuated as per manufacturer recommendations or flared to a point outside the clear zone.

If used to channelize pedestrians, longitudinal channelizing devices or water ballasted systems must have a continuous detectable bottom for users of long cones and the top of the unit shall not be less than 32 inches in height.

HOLLOW OR WATER BALLASTED SYSTEMS USED AS LONGITUDINAL CHANNELIZING DEVICES OR BARRIERS

GENERAL NOTES

- Work Zone channelizing devices illustrated on this sheet may be installed in close proximity to traffic and are suitable for use on high or low speed roadways. The Engineer/Inspector shall ensure that spacing and placement is uniform and in accordance with the "Texas Manual on Uniform Traffic Control Devices" (TMUTCD).
- Channelizing devices shown on this sheet may have a driveable, fixed or portable base. The requirement for self-righting channelizing devices must be specified in the General Notes or other plan sheets.
- Channelizing devices on self-righting supports should be used in work zone areas where channelizing devices are frequently impacted by errant vehicles or vehicle related wind gusts making alignment of the channelizing devices difficult to maintain. Locations of these devices shall be detailed elsewhere in the plans. These devices shall conform to the TMUTCD and the "Compliant Work Zone Traffic Control Devices List" (CWZTCD).
- The Contractor shall maintain devices in a clean condition and replace damaged, nonreflective, faded, or broken devices and bases as required by the Engineer/Inspector. The Contractor shall be required to maintain proper device spacing and alignment.
- Portable bases shall be fabricated from virgin and/or recycled rubber. The portable bases shall weigh a minimum of 30 lbs.
- Pavement surfaces shall be prepared in a manner that ensures proper bonding between the adhesives, the fixed mount bases and the pavement surface. Adhesives shall be prepared and applied according to the manufacturer's recommendations.
- The installation and removal of channelizing devices shall not cause detrimental effects to the final pavement surfaces, including pavement surface discoloration or surface integrity. Driveable bases shall not be permitted on final pavement surfaces. The Engineer/Inspector shall approve all application and removal procedures of fixed bases.

Posted Speed	Formula	Minimum Desirable Taper Lengths			Suggested Maximum Spacing of Channelizing Devices	
		10' Offset	11' Offset	12' Offset	On a Taper	On a Tangent
30	L = WS ² / 60	150'	165'	180'	30'	60'
35		205'	225'	245'	35'	70'
40		265'	295'	320'	40'	80'
45	L = WS	450'	495'	540'	45'	90'
50		500'	550'	600'	50'	100'
55		550'	605'	660'	55'	110'
60		600'	660'	720'	60'	120'
65		650'	715'	780'	65'	130'
70		700'	770'	840'	70'	140'
75		750'	825'	900'	75'	150'
80		800'	880'	960'	80'	160'

x x Taper lengths have been rounded off.
L=Length of Taper (FT.) W=Width of Offset (FT.)
S=Posted Speed (MPH)

SUGGESTED MAXIMUM SPACING OF CHANNELIZING DEVICES AND MINIMUM DESIRABLE TAPER LENGTHS

SHEET 9 OF 12



BARRICADE AND CONSTRUCTION CHANNELIZING DEVICES

BC(9)-21

FILE: bc-21.dgn	DN: TxDOT	CK: TxDOT	DW: TxDOT	CK: TxDOT
© TxDOT November 2002	CONT: 6460	SECT: 99	JOB: 001	HIGHWAY: #20, etc.
REVISIONS: 9-07 8-14	DIST: 08	COUNTY: Taylor, ETC.	SHEET NO. 16	
7-13 5-21				

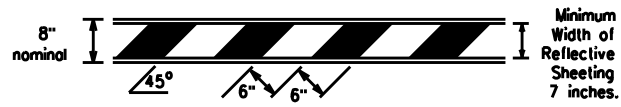
DATE: FILE:

DISCLAIMER: The use of this standard is governed by the "Texas Engineering Practice Act". No warranty of any kind is made by TxDOT for any purpose whatsoever. TxDOT assumes no responsibility for the conversion of this standard to other formats or for incorrect results or damages resulting from its use.

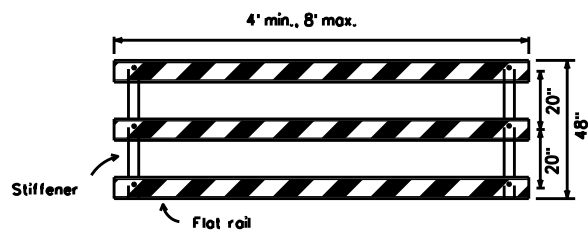
TYPE 3 BARRICADES

1. Refer to the Compliant Work Zone Traffic Control Devices List (CWZTCD) for details of the Type 3 Barricades and a list of all materials used in the construction of Type 3 Barricades.
2. Type 3 Barricades shall be used at each end of construction projects closed to all traffic.
3. Barricades extending across a roadway should have stripes that slope downward in the direction toward which traffic must turn in detouring. When both right and left turns are provided, the chevron striping may slope downward in both directions from the center of the barricade. Where no turns are provided at a closed road, striping should slope downward in both directions toward the center of roadway.
4. Striping of rails, for the right side of the roadway, should slope downward to the left. For the left side of the roadway, striping should slope downward to the right.
5. Identification markings may be shown only on the back of the barricade rails. The maximum height of letters and/or company logos used for identification shall be 1".
6. Barricades shall not be placed parallel to traffic unless an adequate clear zone is provided.
7. Warning lights shall NOT be installed on barricades.
8. Where barricades require the use of weights to keep from turning over, the use of sandbags with dry, cohesionless sand is recommended. The sandbags will be tied shut to keep the sand from spilling and to maintain a constant weight. Sand bags shall not be stacked in a manner that covers any portion of a barricade rails reflective sheeting. Rock, concrete, iron, steel or other solid objects will NOT be permitted. Sandbags should weigh a minimum of 35 lbs and a maximum of 50 lbs. Sandbags shall be made of a durable material that tears upon vehicular impact. Rubber (such as tire inner tubes) shall not be used for sandbags. Sandbags shall only be placed along or upon the base supports of the device and shall not be suspended above ground level or hung with rope, wire, chains or other fasteners.
9. Sheeting for barricades shall be retroreflective Type A or Type B conforming to Departmental Material Specification DMS-8300 unless otherwise noted.

Barricades shall NOT be used as a sign support.

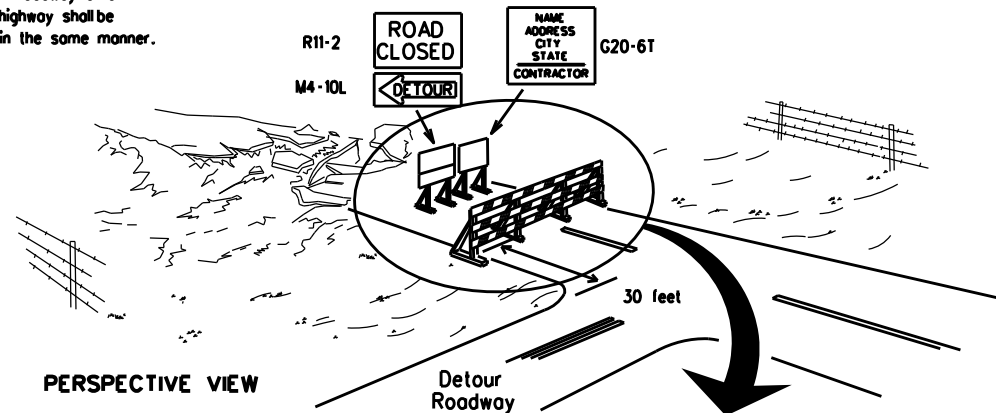


TYPICAL STRIPING DETAIL FOR BARRICADE RAIL



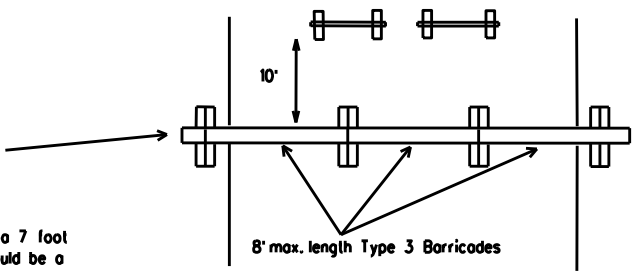
TYPICAL PANEL DETAIL FOR SKID OR POST TYPE BARRICADES

Each roadway of a divided highway shall be barricaded in the same manner.



PERSPECTIVE VIEW

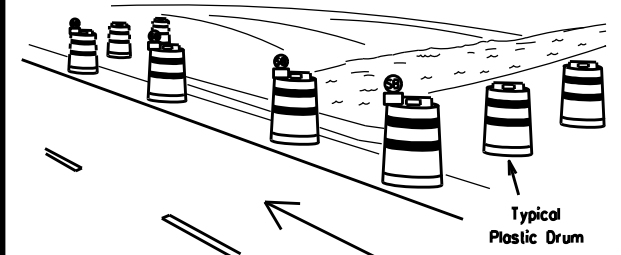
The three rails on Type 3 barricades shall be reflectorized orange and reflective white stripes on one side facing one-way traffic and both sides for two-way traffic. Barricade striping should slant downward in the direction of detour.



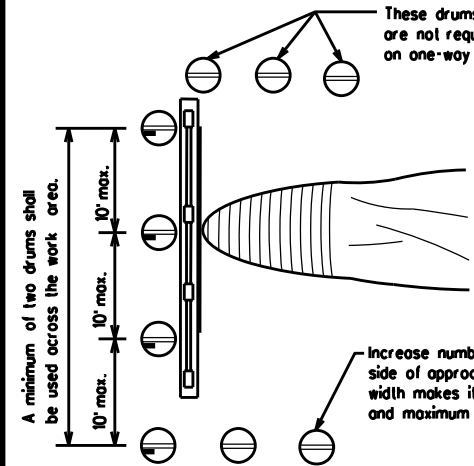
PLAN VIEW

1. Signs should be mounted on independent supports at a 7 foot mounting height in center of roadway. The signs should be a minimum of 10 feet behind Type 3 Barricades.
2. Advance signing shall be as specified elsewhere in the plans.

TYPE 3 BARRICADE (POST AND SKID) TYPICAL APPLICATION



PERSPECTIVE VIEW

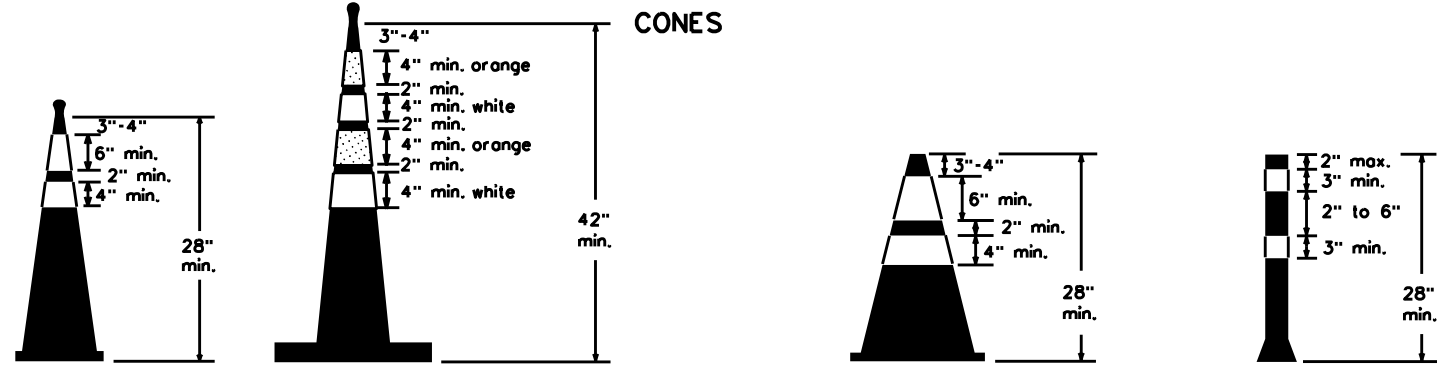


PLAN VIEW

CULVERT WIDENING OR OTHER ISOLATED WORK WITHIN THE PROJECT LIMITS

1. Where positive redirection capability is provided, drums may be omitted.
2. Plastic construction fencing may be used with drums for safety as required in the plans.
3. Vertical Panels on flexible support may be substituted for drums when the shoulder width is less than 4 feet.
4. When the shoulder width is greater than 12 feet, steady-burn lights may be omitted if drums are used.
5. Drums must extend the length of the culvert widening.

LEGEND	
	Plastic drum
	Plastic drum with steady burn light or yellow warning reflector
	Steady burn warning light or yellow warning reflector

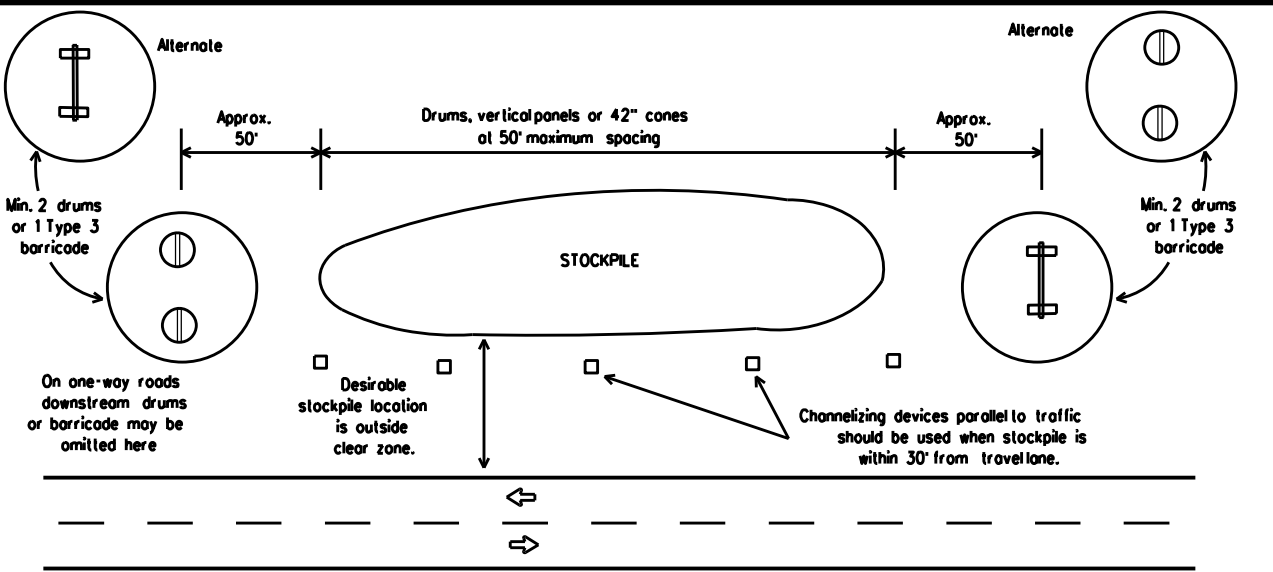


Two-Piece cones

One-Piece cones

Tubular Marker

28" Cones shall have a minimum weight of 9 1/2 lbs.
42" 2-piece cones shall have a minimum weight of 30 lbs. including base.



TRAFFIC CONTROL FOR MATERIAL STOCKPILES

1. Traffic cones and tubular markers shall be predominantly orange, and meet the height and weight requirements shown above.
2. One-piece cones have the body and base of the cone molded in one consolidated unit. Two-piece cones have a cone shaped body and a separate rubber base, or ballast, that is added to keep the device upright and in place.
3. Two-piece cones may have a handle or loop extending up to 8" above the minimum height shown, in order to aid in retrieving the device.
4. Cones or tubular markers shall have white or white and orange reflective bands as shown above. The reflective bands shall have a smooth, sealed outer surface and meet the requirements of Departmental Material Specification DMS-8300 Type A or Type B.
5. 28" cones and tubular markers are generally suitable for short duration and short-term stationary work as defined in BC(4). These should not be used for intermediate-term or long-term stationary work unless personnel is on-site to maintain them in their proper upright position.
6. 42" two-piece cones, vertical panels or drums are suitable for all work zone durations.
7. Cones or tubular markers used on each project should be of the same size and shape.

BARRICADE AND CONSTRUCTION CHANNELIZING DEVICES

BC(10)-21

FILE: bc-21.dgn	DN: TxDOT	CK: TxDOT	DW: TxDOT	CK: TxDOT
© TxDOT November 2002	CONT	SECT	JOB	HIGHWAY
REVISIONS	6460	99	001	1120, etc.
9-07 8-14	DIST	COUNTY	SHEET NO.	
7-13 5-21	08	Taylor, ETC.	17	

DATE: FILE:

WORK ZONE PAVEMENT MARKINGS

GENERAL

1. The Contractor shall be responsible for maintaining work zone and existing pavement markings, in accordance with the standard specifications and special provisions, on all roadways open to traffic within the CSJ limits unless otherwise stated in the plans.
2. Color, patterns and dimensions shall be in conformance with the "Texas Manual on Uniform Traffic Control Devices" (TMUTCD).
3. Additional supplemental pavement marking details may be found in the plans or specifications.
4. Pavement markings shall be installed in accordance with the TMUTCD and as shown on the plans.
5. When short term markings are required on the plans, short term markings shall conform with the TMUTCD, the plans and details as shown on the Standard Plan Sheet WZ1STPM1.
6. When standard pavement markings are not in place and the roadway is opened to traffic, DO NOT PASS signs shall be erected to mark the beginning of the sections where passing is prohibited and PASS WITH CARE signs at the beginning of sections where passing is permitted.
7. All work zone pavement markings shall be installed in accordance with Item 662, "Work Zone Pavement Markings."

RAISED PAVEMENT MARKERS

1. Raised pavement markers are to be placed according to the patterns on BC(12).
2. All raised pavement markers used for work zone markings shall meet the requirements of Item 672, "RAISED PAVEMENT MARKERS" and Departmental Material Specification DMS-4200 or DMS-4300.

PREFABRICATED PAVEMENT MARKINGS

1. Removable prefabricated pavement markings shall meet the requirements of DMS-8241.
2. Non-removable prefabricated pavement markings (foil back) shall meet the requirements of DMS-8240.

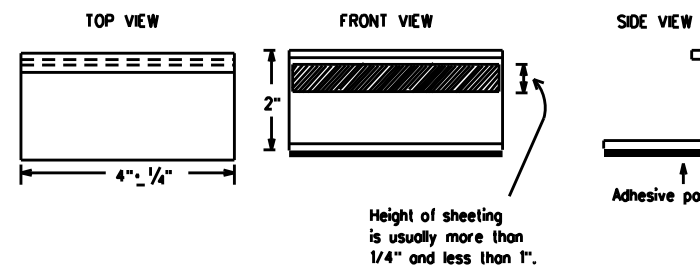
MAINTAINING WORK ZONE PAVEMENT MARKINGS

1. The Contractor will be responsible for maintaining work zone pavement markings within the work limits.
2. Work zone pavement markings shall be inspected in accordance with the frequency and reporting requirements of work zone traffic control device inspections as required by Form 599.
3. The markings should provide a visible reference for a minimum distance of 300 feet during normal daylight hours and 160 feet when illuminated by automobile low-beam headlights at night, unless sight distance is restricted by roadway geometrics.
4. Markings failing to meet this criteria within the first 30 days after placement shall be replaced at the expense of the Contractor as per Specification Item 662.

REMOVAL OF PAVEMENT MARKINGS

1. Pavement markings that are no longer applicable, could create confusion or direct a motorist toward or into the closed portion of the roadway shall be removed or obliterated before the roadway is opened to traffic.
2. The above shall not apply to detours in place for less than three days, where flaggers and/or sufficient channelizing devices are used in lieu of markings to outline the detour route.
3. Pavement markings shall be removed to the fullest extent possible, so as not to leave a discernable marking. This shall be by any method approved by TxDOT Specification Item 677 for "Eliminating Existing Pavement Markings and Markers".
4. The removal of pavement markings may require resurfacing or seal coating portions of the roadway as described in Item 677.
5. Subject to the approval of the Engineer, any method that proves to be successful on a particular type pavement may be used.
6. Blast cleaning may be used but will not be required unless specifically shown in the plans.
7. Over-painting of the markings SHALL NOT BE permitted.
8. Removal of raised pavement markers shall be as directed by the Engineer.
9. Removal of existing pavement markings and markers will be paid for directly in accordance with Item 677, "ELIMINATING EXISTING PAVEMENT MARKINGS AND MARKERS," unless otherwise stated in the plans.
10. Block-out marking tape may be used to cover conflicting existing markings for periods less than two weeks when approved by the Engineer.

Temporary Flexible-Reflective Roadway Marker Tabs



**STAPLES OR NAILS SHALL NOT BE USED TO SECURE
TEMPORARY FLEXIBLE-REFLECTIVE ROADWAY MARKER
TABS TO THE PAVEMENT SURFACE**

1. Temporary flexible-reflective roadway marker tabs used as guidemarks shall meet the requirements of DMS-8242.
2. Tabs detailed on this sheet are to be inspected and accepted by the Engineer or designated representative. Sampling and testing is not normally required, however at the option of the Engineer, either "A" or "B" below may be imposed to assure quality before placement on the roadway.
 - A. Select five (5) or more tabs at random from each lot or shipment and submit to the Construction Division, Materials and Pavement Section to determine specification compliance.
 - B. Select five (5) tabs and perform the following test. Affix five (5) tabs at 24 inch intervals on an asphaltic pavement in a straight line. Using a medium size passenger vehicle or pickup, run over the markers with the front and rear tires at a speed of 35 to 40 miles per hour, four (4) times in each direction. No more than one (1) out of the five (5) reflective surfaces shall be lost or displaced as a result of this test.
3. Small design variances may be noted between tab manufacturers.
4. See Standard Sheet WZ1STPM1 for tab placement on new pavements. See Standard Sheet TCP(7-1) for tab placement on seal coat work.

RAISED PAVEMENT MARKERS USED AS GUIDEMARKS

1. Raised pavement markers used as guidemarks shall be from the approved product list, and meet the requirements of DMS-4200.
2. All temporary construction raised pavement markers provided on a project shall be of the same manufacturer.
3. Adhesive for guidemarks shall be bituminous material hot applied or butyl rubber pad for all surfaces, or thermoplastic for concrete surfaces.

Guidemarks shall be designated as:
 YELLOW - (two amber reflective surfaces with yellow body).
 WHITE - (one silver reflective surface with white body).

DEPARTMENTAL MATERIAL SPECIFICATIONS	
PAVEMENT MARKERS (REFLECTORIZED)	DMS-4200
TRAFFIC BUTTONS	DMS-4300
EPOXY AND ADHESIVES	DMS-6100
BITUMINOUS ADHESIVE FOR PAVEMENT MARKERS	DMS-6130
PERMANENT PREFABRICATED PAVEMENT MARKINGS	DMS-8240
TEMPORARY REMOVABLE, PREFABRICATED PAVEMENT MARKINGS	DMS-8241
TEMPORARY FLEXIBLE, REFLECTIVE ROADWAY MARKER TABS	DMS-8242

A list of prequalified reflective raised pavement markers, non-reflective traffic buttons, roadway marker tabs and other pavement markings can be found at the Material Producer List web address shown on BC(1).

SHEET 11 OF 12



BARRICADE AND CONSTRUCTION PAVEMENT MARKINGS

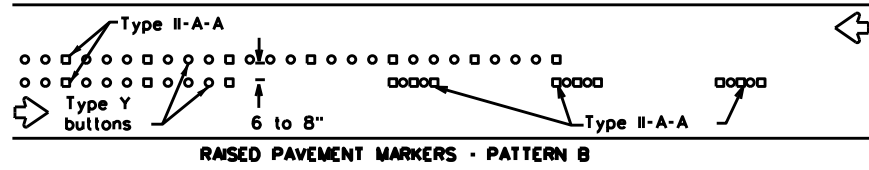
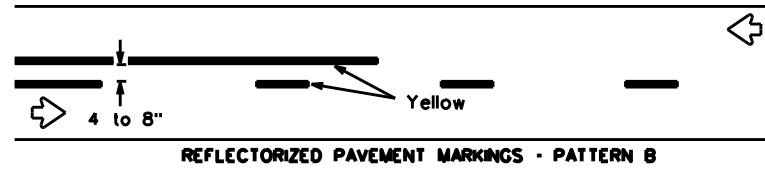
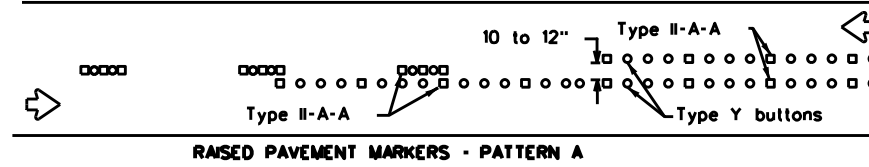
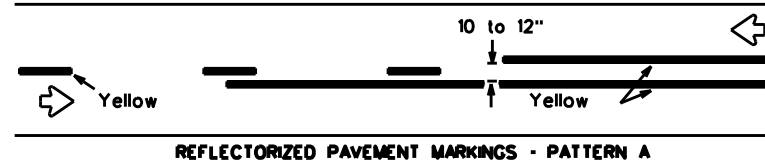
BC(11)-21

FILE: bc-21.dgn	DN: TxDOT	CK: TxDOT	DW: TxDOT	CK: TxDOT
© TxDOT February 1998	CONT	SECT	JOB	HIGHWAY
	6460	99	001	IH20, etc.
REVISIONS	DIST	COUNTY	SHEET NO.	
2-98 9-07 5-21	08	Taylor, ETC.	18	
1-02 7-13				
11-02 8-14				

DISCLAIMER: The use of this standard is governed by the "Texas Engineering Practice Act." No warranty of any kind is made by TxDOT for any purpose whatsoever. TxDOT assumes no responsibility for the conversion of this standard to other formats or for incorrect results or damages resulting from its use.

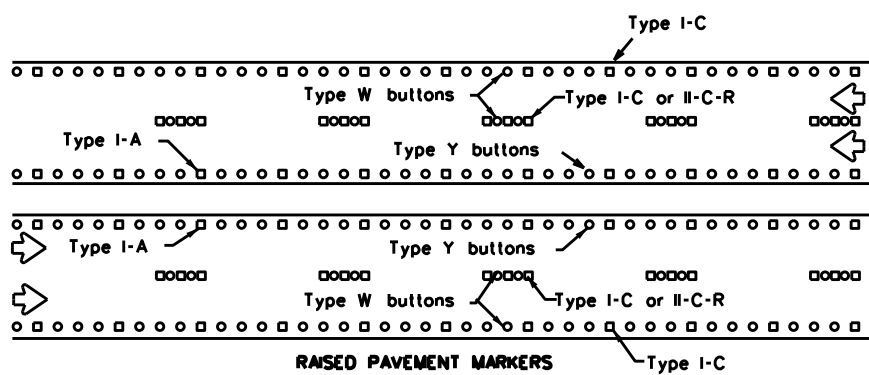
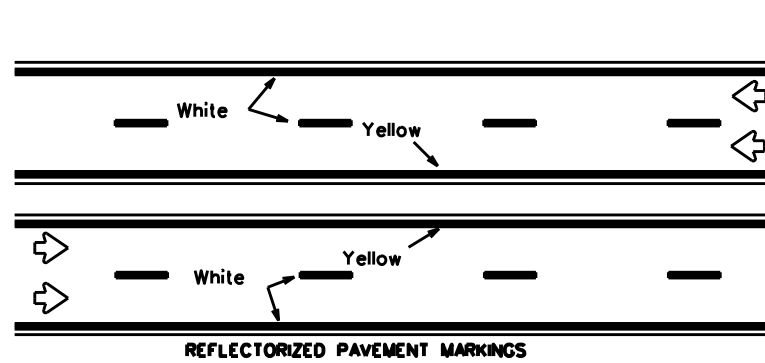
DATE:
FILE:

PAVEMENT MARKING PATTERNS



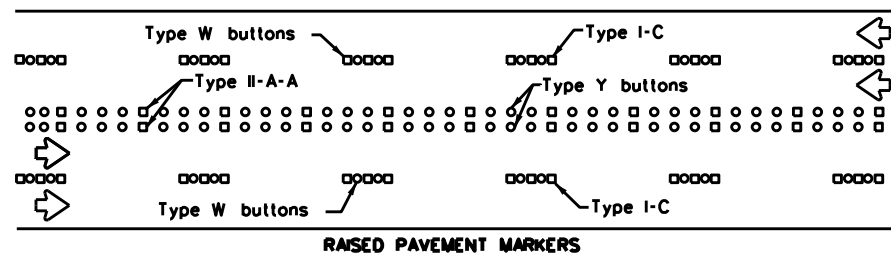
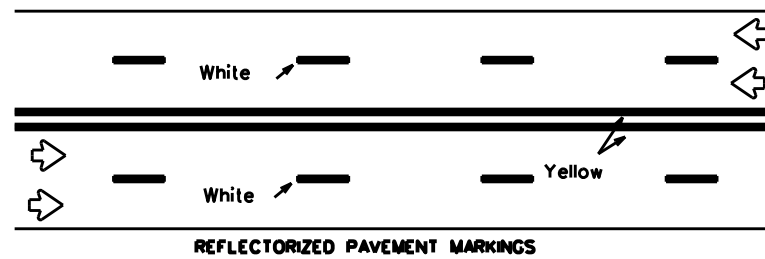
Pattern A is the TxDOT Standard, however Pattern B may be used if approved by the Engineer. Prefabricated markings may be substituted for reflectorized pavement markings.

CENTER LINE & NO-PASSING ZONE BARRIER LINES FOR TWO-LANE, TWO-WAY HIGHWAYS



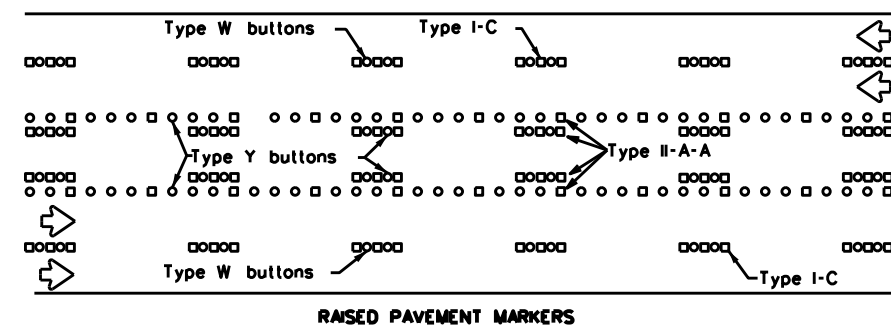
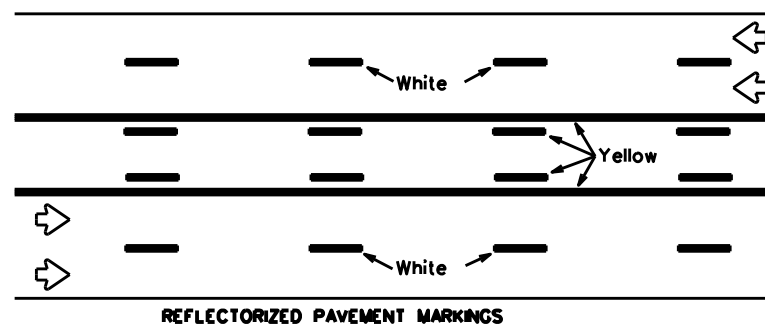
Prefabricated markings may be substituted for reflectorized pavement markings.

EDGE & LANE LINES FOR DIVIDED HIGHWAY



Prefabricated markings may be substituted for reflectorized pavement markings.

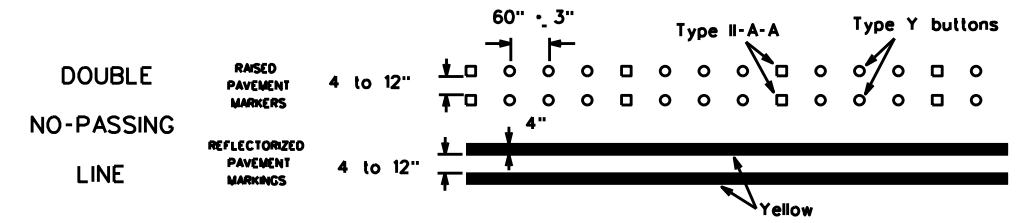
LANE & CENTER LINES FOR MULTILANE UNDIVIDED HIGHWAYS



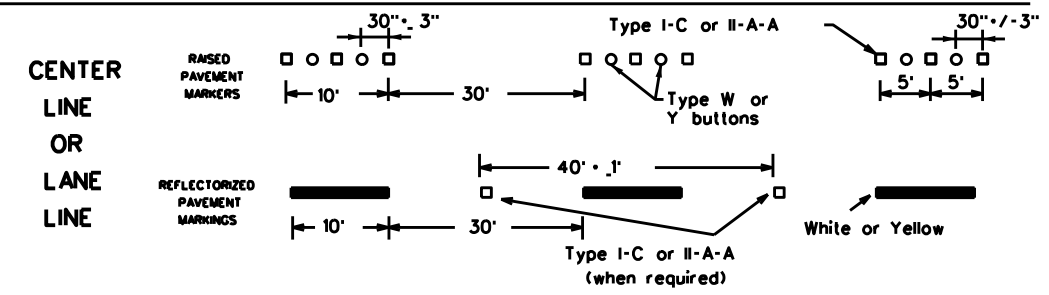
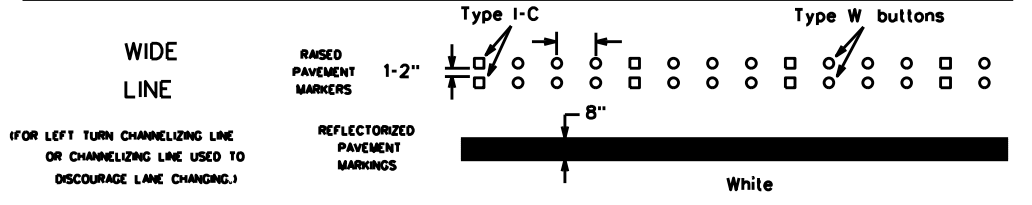
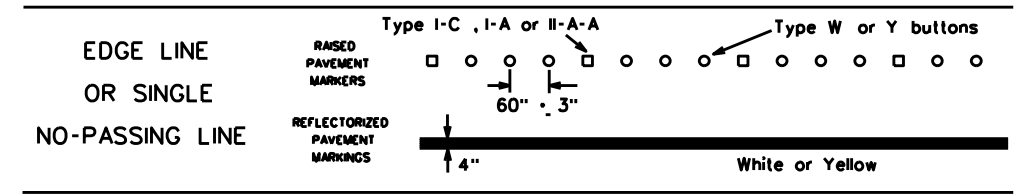
Prefabricated markings may be substituted for reflectorized pavement markings.

TWO-WAY LEFT TURN LANE

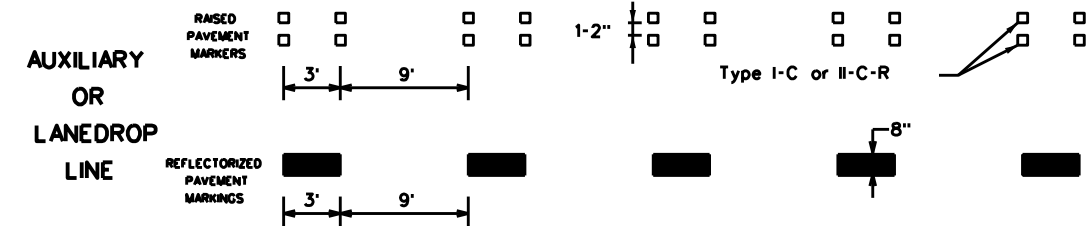
STANDARD WORK ZONE PAVEMENT MARKINGS DETAILS



SOLID LINES

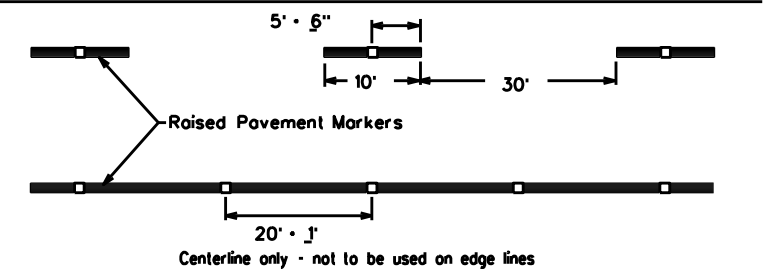


BROKEN LINES



REMOVABLE MARKINGS WITH RAISED PAVEMENT MARKERS

If raised pavement markers are used to supplement REMOVABLE markings, the markers shall be applied to the top of the tape at the approximate mid length of tape used for broken lines or at 20 foot spacing for solid lines. This allows an easier removal of raised pavement markers and tape.



SHEET 12 OF 12



BARRICADE AND CONSTRUCTION PAVEMENT MARKING PATTERNS

BC(12)-21

Raised pavement markers used as standard pavement markings shall be from the approved products list and meet the requirements of Item 672 "RAISED PAVEMENT MARKERS."

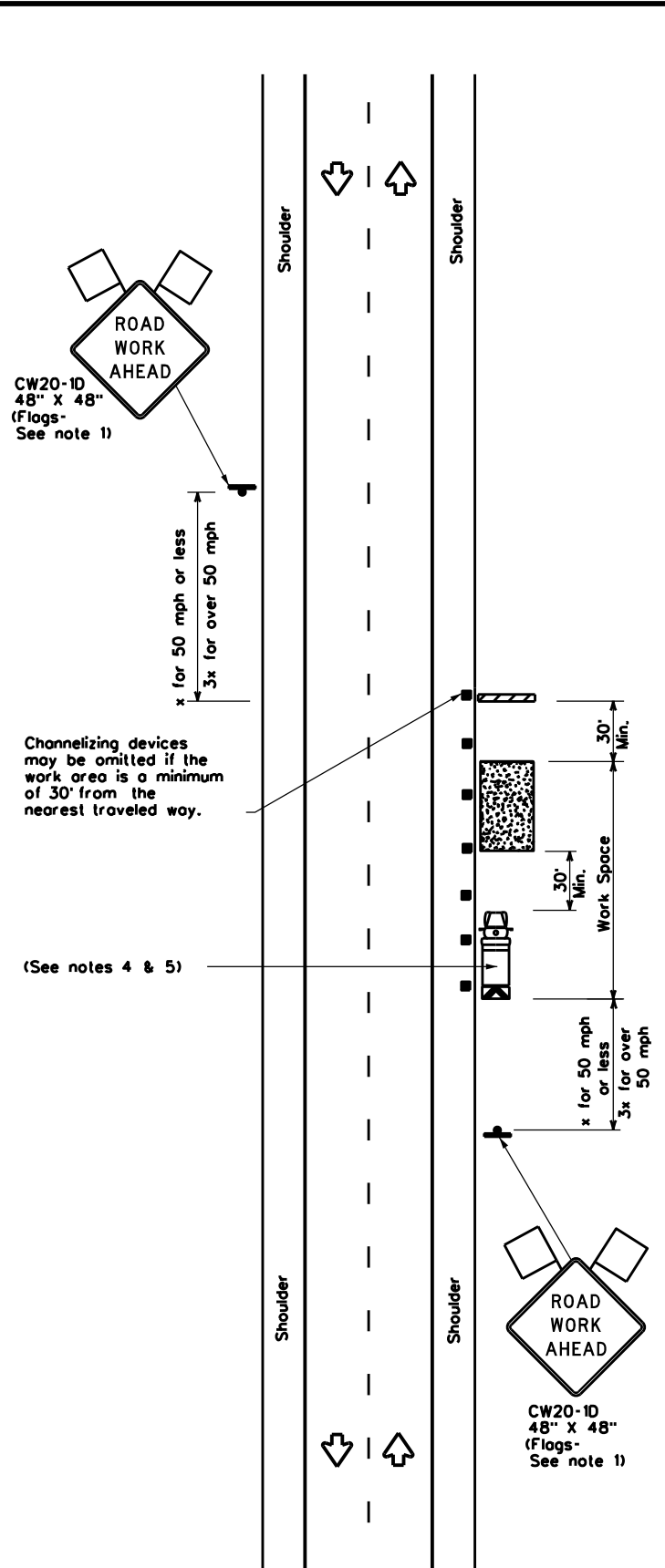
FILE: bc-21.dgn	DN: TxDOT	CK: TxDOT	DW: TxDOT	CK: TxDOT
© TxDOT February 1998	CONT: 6460	SECT: 99	JOB: 001	HIGHWAY: IH20, etc.
REVISIONS: 1-97 9-07 5-21				
2-98 7-13				
11-02 8-14				
	DIST: 08	COUNTY: Taylor, ETC.	SHEET NO. 19	

DISCLAIMER: The use of this standard is governed by the "Texas Engineering Practice Act". No warranty of any kind is made by TxDOT for any purpose whatsoever. TxDOT assumes no responsibility for the conversion of this standard to other formats or for incorrect results or damages resulting from its use.

DATE:
FILE:

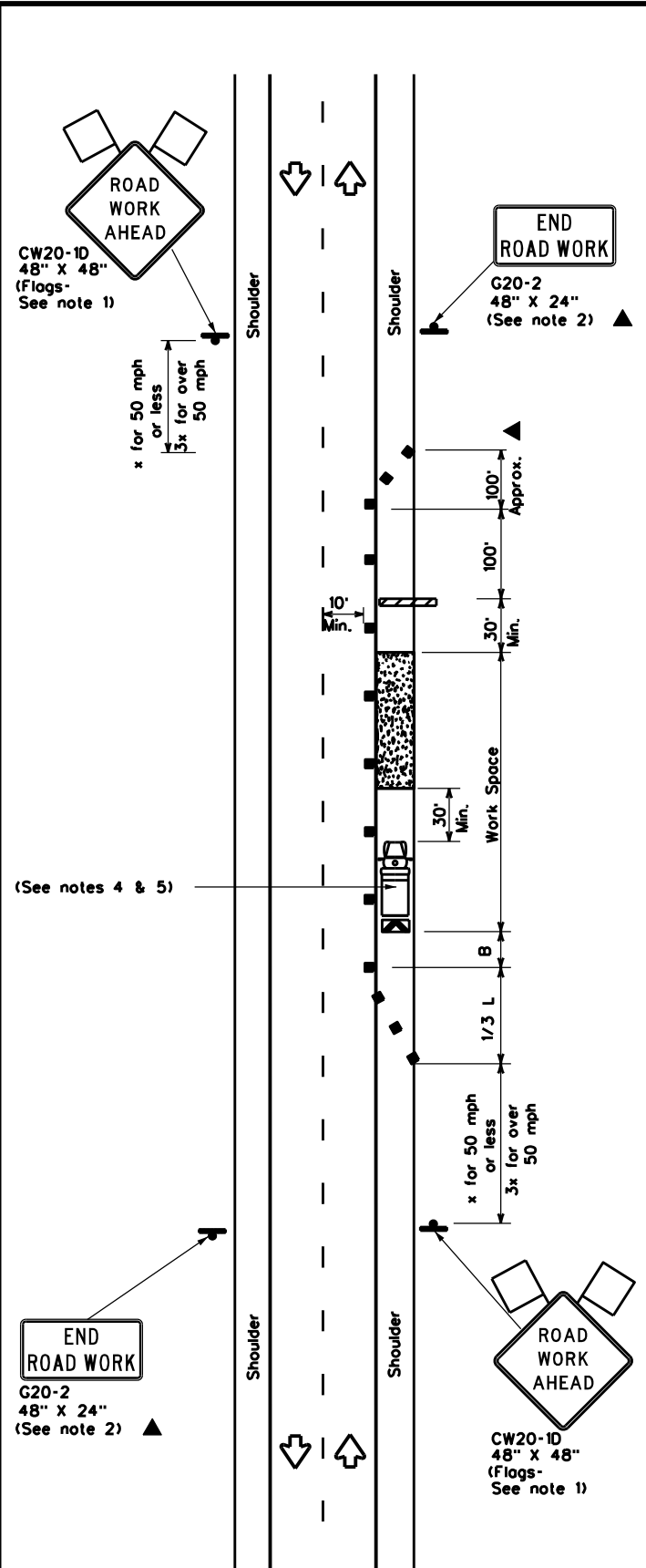
DISCLAIMER: The use of this standard is governed by the "Texas Engineering Practice Act". No warranty of any kind is made by TxDOT for any purpose whatsoever. TxDOT assumes no responsibility for the conversion of this standard to other formats or for incorrect results or damages resulting from its use.

DATE: FILE:



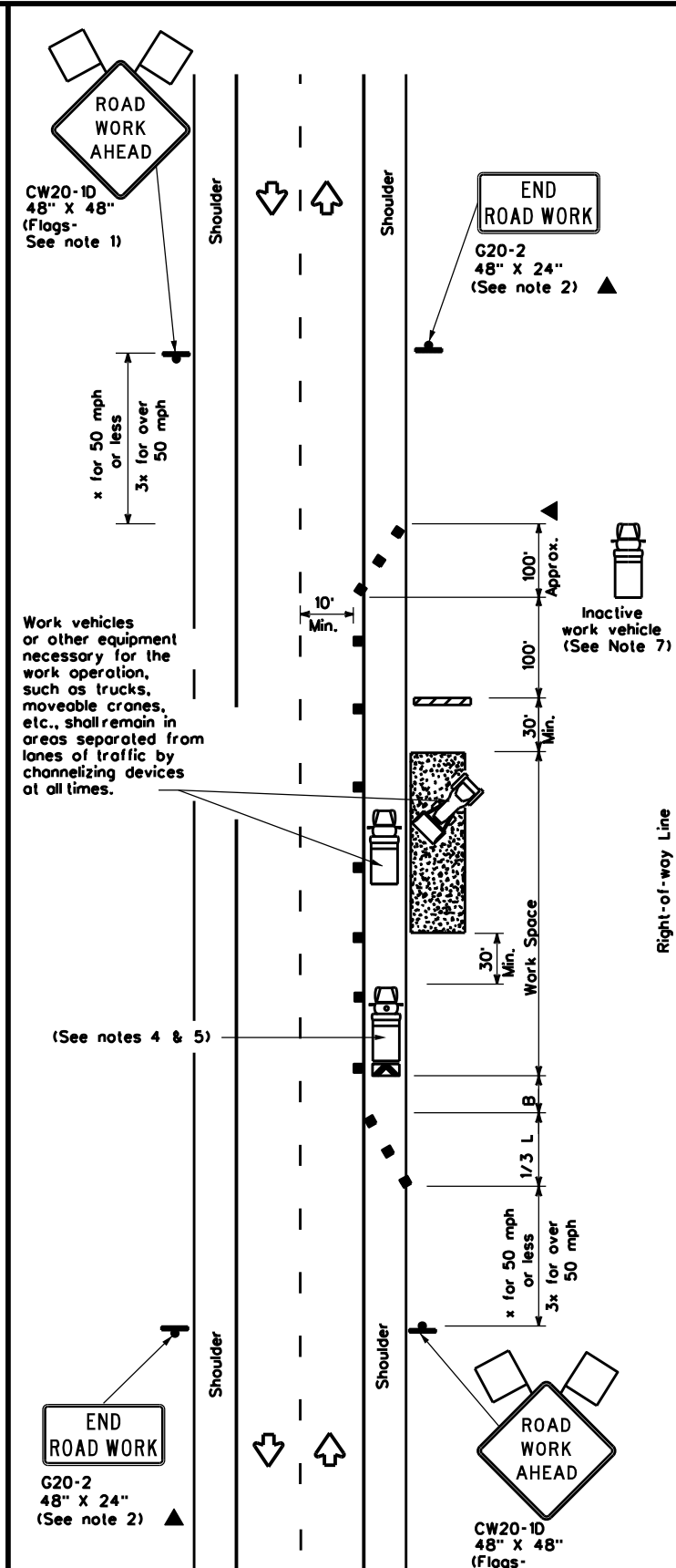
TCP (2-1a)

WORK SPACE NEAR SHOULDER
Conventional Roads



TCP (2-1b)

WORK SPACE ON SHOULDER
Conventional Roads



TCP (2-1c)

WORK VEHICLES ON SHOULDER
Conventional Roads

LEGEND			
	Type 3 Barricade		Channelizing Devices
	Heavy Work Vehicle		Truck Mounted Attenuator (TMA)
	Trailer Mounted Flashing Arrow Board		Portable Changeable Message Sign (PCMS)
	Sign		Traffic Flow
	Flag		Flogger

Posted Speed x	Formula	Minimum Desirable Taper Lengths x			Suggested Maximum Spacing of Channelizing Devices		Minimum Sign Spacing "x" Distance	Suggested Longitudinal Buffer Space "B"
		10' Offset	11' Offset	12' Offset	On a Taper	On a Tangent		
30	L = $\frac{WS}{60}$	150'	165'	180'	30'	60'	120'	90'
35		205'	225'	245'	35'	70'	160'	120'
40	L = WS	265'	295'	320'	40'	80'	240'	155'
45		450'	495'	540'	45'	90'	320'	195'
50		500'	550'	600'	50'	100'	400'	240'
55		550'	605'	660'	55'	110'	500'	295'
60		600'	660'	720'	60'	120'	600'	350'
65		650'	715'	780'	65'	130'	700'	410'
70		700'	770'	840'	70'	140'	800'	475'
75	750'	825'	900'	75'	150'	900'	540'	

x Conventional Roads Only
 x x Taper lengths have been rounded off.
 L-Length of Taper(FT) W-Width of Offset(FT) S-Posted Speed(MPH)

TYPICAL USAGE				
MOBILE	SHORT DURATION	SHORT TERM STATIONARY	INTERMEDIATE TERM STATIONARY	LONG TERM STATIONARY
	✓	✓	✓	✓

GENERAL NOTES

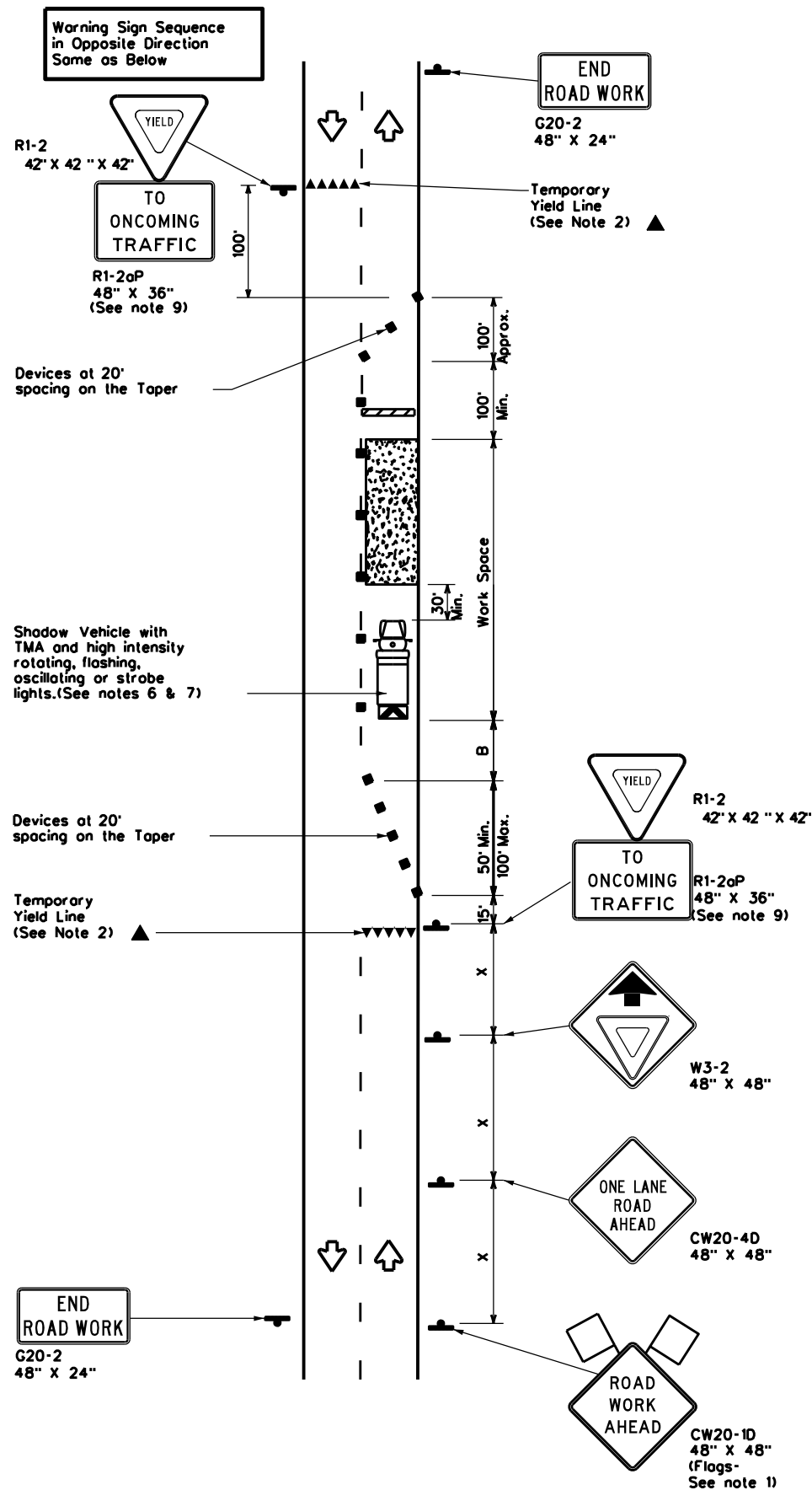
- Flags attached to signs where shown, are REQUIRED.
- All traffic control devices illustrated are REQUIRED, except those denoted with the triangle symbol may be omitted when stated in the plans, or for routine maintenance work, when approved by the Engineer.
- Stockpiled material should be placed a minimum of 30 feet from nearest traveled way.
- Shadow Vehicle with TMA and high intensity rotating, flashing, oscillating or strobe lights. A Shadow Vehicle with a TMA should be used anytime it can be positioned 30 to 100 feet in advance of the area of crew exposure without adversely affecting the performance or quality of the work. If workers are no longer present but road or work conditions require the traffic control to remain in place, Type 3 Barricades or other channelizing devices may be substituted for the Shadow Vehicle and TMA.
- Additional Shadow Vehicles with TMAs may be positioned off the paved surface, next to those shown in order to protect a wider work space.
- See TCP(5-1) for shoulder work on divided highways, expressways and freeways.
- Inactive work vehicles or other equipment should be parked near the right-of-way line and not parked on the paved shoulder.
- CW21-5 "SHOULDER WORK" signs may be used in place of CW20-1D "ROAD WORK AHEAD" signs for shoulder work on conventional roadways.

TRAFFIC CONTROL PLAN
CONVENTIONAL ROAD
SHOULDER WORK

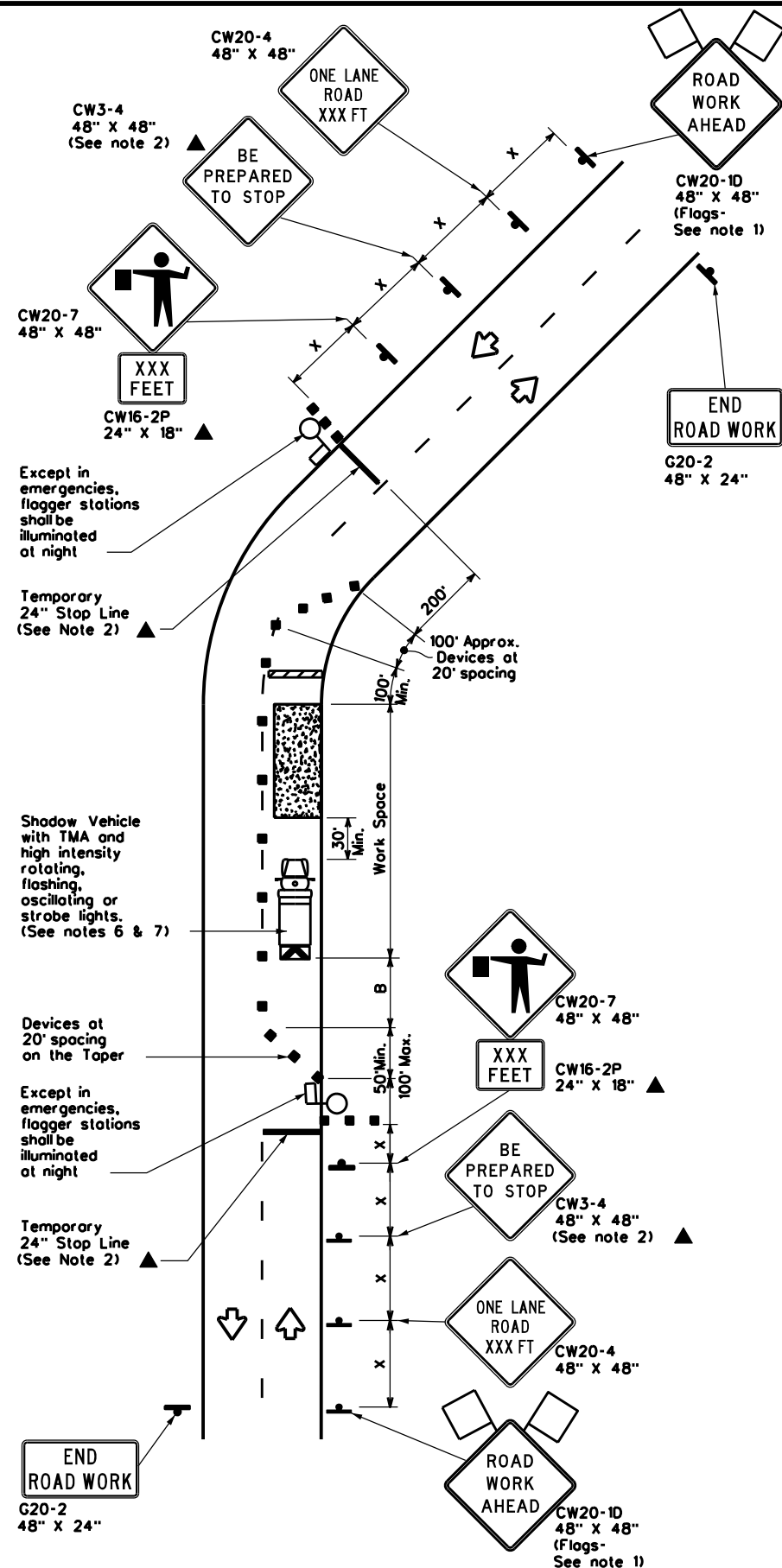
TCP(2-1)-18

FILE: tcp2-1-18.dgn	DN:	CK:	DW:	CK:
© TxDOT December 1985	CONT: 6460	SECT: 99	JOB: 001	HIGHWAY: IH20, etc.
REVISIONS: 2-94 4-98 8-95 2-12 1-97 2-18	DIST: Ab1	COUNTY: Taylor, ETC.	SHEET NO.: 20	

DISCLAIMER: The use of this standard is governed by the "Texas Engineering Practice Act". No warranty of any kind is made by TxDOT for any purpose whatsoever. TxDOT assumes no responsibility for the conversion of this standard to other formats or for incorrect results or damages resulting from its use.



TCP (2-2a)
2-LANE ROADWAY WITHOUT PAVED SHOULDERS
ONE LANE TWO-WAY
CONTROL WITH YIELD SIGNS
(Less than 2000 ADT - See Note 9)



TCP (2-2b)
2-LANE ROADWAY WITHOUT PAVED SHOULDERS
ONE LANE TWO-WAY
CONTROL WITH FLAGGERS

LEGEND			
	Type 3 Barricade		Channelizing Devices
	Heavy Work Vehicle		Truck Mounted Attenuator (TMA)
	Trailer Mounted Flashing Arrow Board		Portable Changeable Message Sign (PCMS)
	Sign		Traffic Flow
	Flag		Flagger

Posted Speed * x	Formula	Minimum Desirable Taper Lengths * x			Suggested Maximum Spacing of Channelizing Devices		Minimum Sign Spacing "x" Distance	Suggested Longitudinal Buffer Space "B"	Stopping Sight Distance
		10' Offset	11' Offset	12' Offset	On a Taper	On a Tangent			
30	L = WS ² / 60	150'	165'	180'	30'	60'	120'	90'	200'
35		205'	225'	245'	35'	70'	160'	120'	250'
40		265'	295'	320'	40'	80'	240'	155'	305'
45	L = WS	450'	495'	540'	45'	90'	320'	195'	360'
50		500'	550'	600'	50'	100'	400'	240'	425'
55		550'	605'	660'	55'	110'	500'	295'	495'
60		600'	660'	720'	60'	120'	600'	350'	570'
65		650'	715'	780'	65'	130'	700'	410'	645'
70	700'	770'	840'	70'	140'	800'	475'	730'	
75	750'	825'	900'	75'	150'	900'	540'	820'	

* Conventional Roads Only
 x x Taper lengths have been rounded off.
 L- Length of Taper (FT) W- Width of Offset (FT) S- Posted Speed (MPH)

TYPICAL USAGE				
MOBILE	SHORT DURATION	SHORT TERM STATIONARY	INTERMEDIATE TERM STATIONARY	LONG TERM STATIONARY
	✓	✓	✓	

GENERAL NOTES

- Flags attached to signs where shown, are REQUIRED.
- All traffic control devices illustrated are REQUIRED, except those denoted with the triangle symbol may be omitted when stated elsewhere in the plans, or for routine maintenance work, when approved by the Engineer.
- The CW3-4 "BE PREPARED TO STOP" sign may be installed after the CW20-4 "ONE LANE ROAD XXX FT" sign, but proper sign spacing shall be maintained.
- Flaggers should use two-way radios or other methods of communication to control traffic.
- Length of work space should be based on the ability of flaggers to communicate.
- A Shadow Vehicle with a TMA should be used anytime it can be positioned 30 to 100 feet in advance of the area of crew exposure without adversely affecting the performance or quality of the work. If workers are no longer present but road or work conditions require the traffic control to remain in place, Type 3 Barricades or other channelizing devices may be substituted for the Shadow Vehicle and TMA.
- Additional Shadow Vehicles with TMAs may be positioned off the paved surface, next to those shown in order to protect a wider work space.

TCP (2-2a)

- The R1-2 "YIELD" sign traffic control may be used on projects with approaches that have adequate sight distance. For projects in urban areas, work space should be no longer than one half city block. In rural areas, roadways with less than 2000 ADT, work space should be no longer than 400 feet.
- The R1-2oP "YIELD TO ONCOMING TRAFFIC" sign shall be placed on a support of a 7 foot minimum mounting height.

TCP (2-2b)

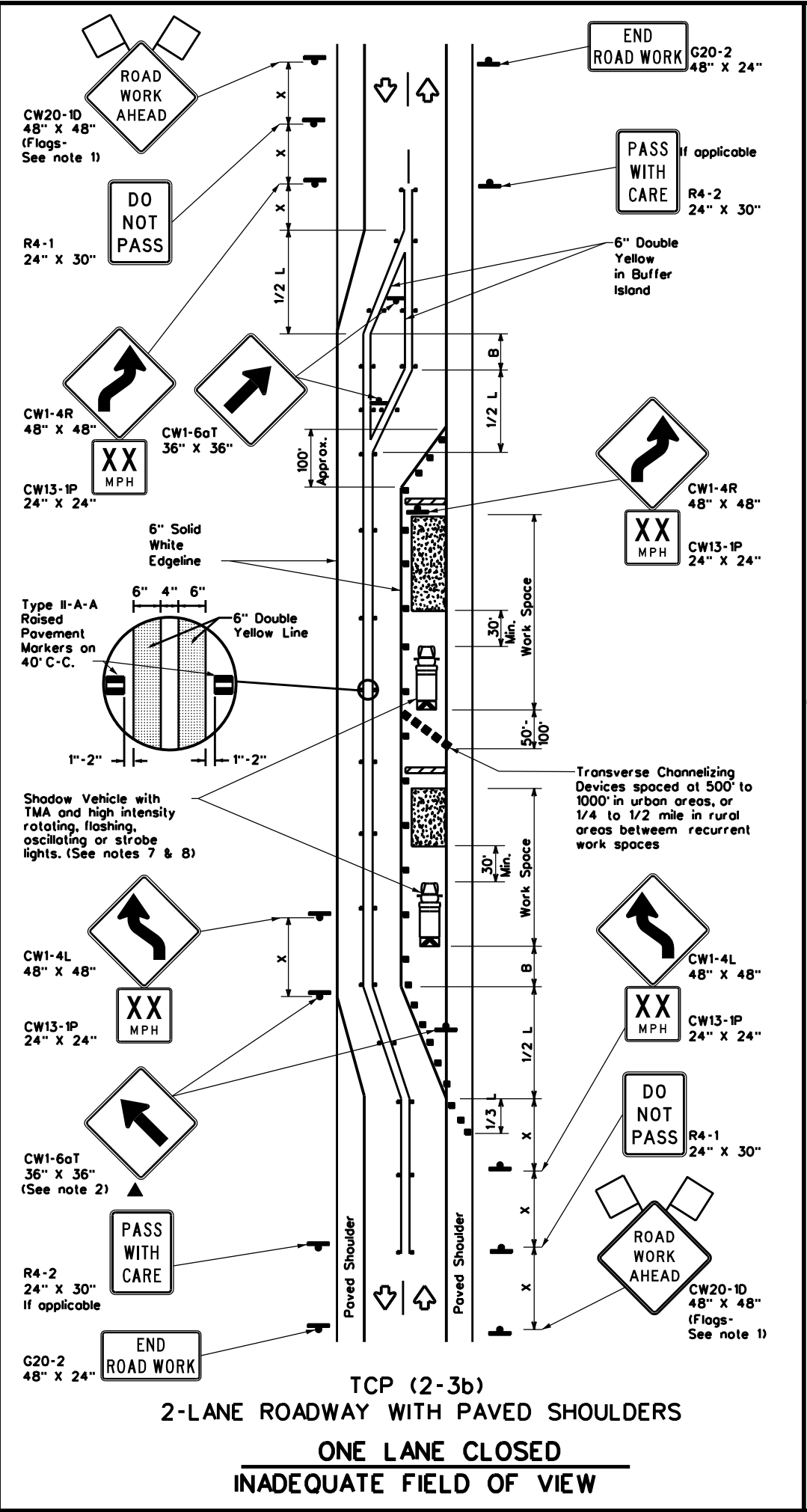
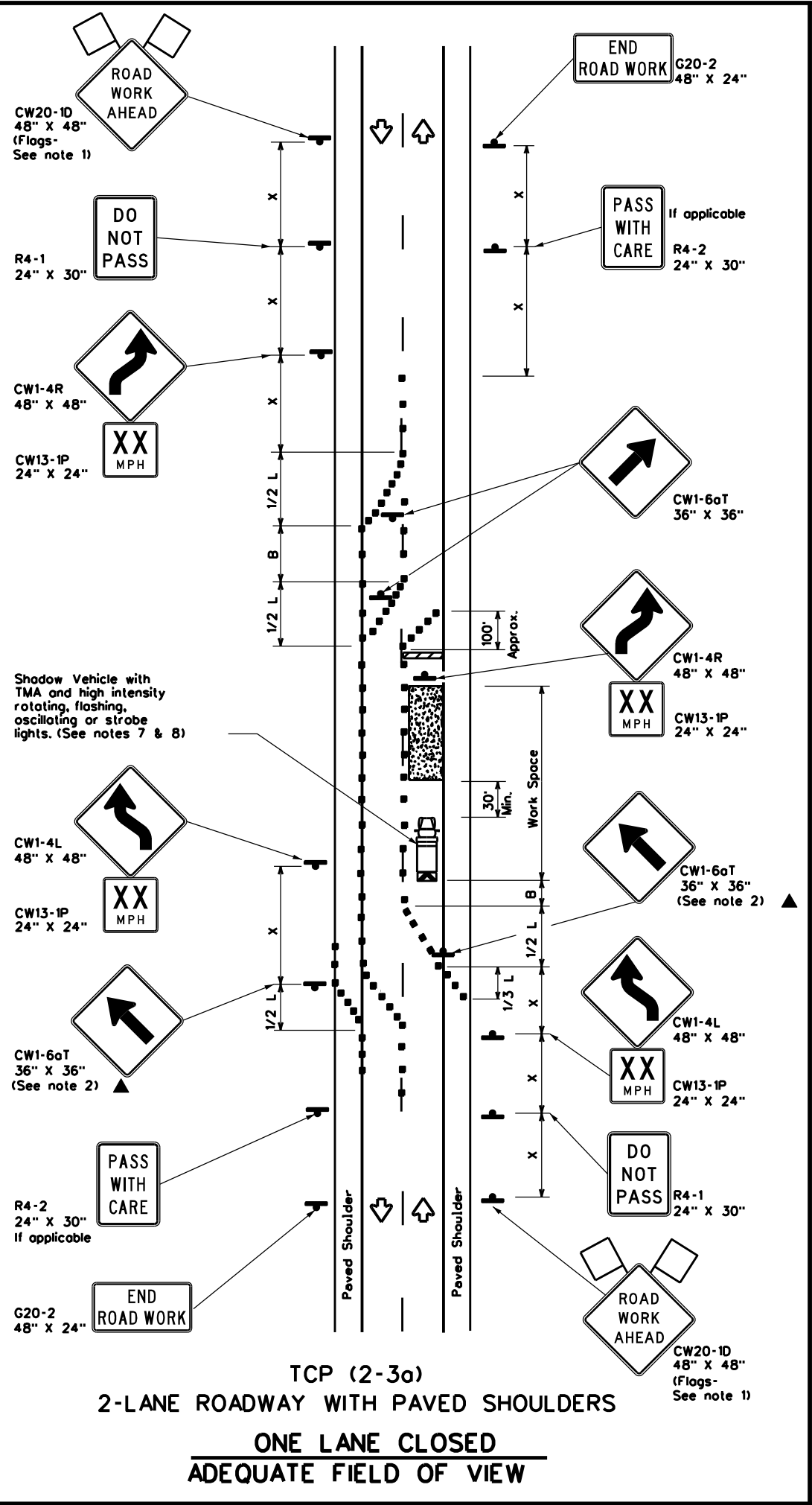
- Channelizing devices on the center line may be omitted when a pilot car is leading traffic and approved by the Engineer.
- If the work space is located near a horizontal or vertical curve, the buffer distances should be increased in order to maintain stopping sight distance to the flagger and a queue of stopped vehicles. (See table above).
- Flaggers should use 24" STOP/SLOW paddles to control traffic. Flags should be limited to emergency situations.

		Traffic Operations Division Standard	
TRAFFIC CONTROL PLAN ONE-LANE TWO-WAY TRAFFIC CONTROL			
TCP(2-2)-18			
FILE:	tcp2-2-18.dgn	DN:	CK:
© TxDOT	December 1985	CONT:	SECT:
REVISIONS 8-95 3-03 1-97 2-12 4-98 2-18		JOB 6460 99 001	HIGHWAY IH20, etc.
DIST: COUNTY: SHEET NO.		Abil Taylor, ETC. 21	

DATE: FILE:

DISCLAIMER: The use of this standard is governed by the "Texas Engineering Practice Act". No warranty of any kind is made by TxDOT for any purpose whatsoever. TxDOT assumes no responsibility for the conversion of this standard to other formats or for incorrect results or damages resulting from its use.

DATE: FILE:



LEGEND			
	Type 3 Barricade		Channelizing Devices
	Heavy Work Vehicle		Truck Mounted Attenuator (TMA)
	Trailer Mounted Flashing Arrow Board		Raised Pavement Markers Type II-AA
	Sign		Traffic Flow
	Flag		Flagger

Posted Speed x	Formula	Minimum Desirable Taper Lengths x x			Suggested Maximum Spacing of Channelizing Devices		Minimum Sign Spacing "x" Distance	Suggested Longitudinal Buffer Space "B"
		10' Offset	11' Offset	12' Offset	On a Taper	On a Tangent		
30	L = WS ² / 60	150'	165'	180'	30'	60'	120'	90'
35		205'	225'	245'	35'	70'	160'	120'
40	L = WS	265'	295'	320'	40'	80'	240'	155'
45		450'	495'	540'	45'	90'	320'	195'
50		500'	550'	600'	50'	100'	400'	240'
55		550'	605'	660'	55'	110'	500'	295'
60		600'	660'	720'	60'	120'	600'	350'
65		650'	715'	780'	65'	130'	700'	410'
70		700'	770'	840'	70'	140'	800'	475'
75	750'	825'	900'	75'	150'	900'	540'	

x Conventional Roads Only
 xx Taper lengths have been rounded off.
 L-Length of Taper(FT) W-Width of Offset(FT) S-Posted Speed(MPH)

TYPICAL USAGE				
MOBILE	SHORT DURATION	SHORT TERM STATIONARY	INTERMEDIATE TERM STATIONARY	LONG TERM STATIONARY
			✓	✓
				TCP(2-3b) ONLY

- GENERAL NOTES**
- Flags attached to signs where shown, are REQUIRED.
 - All traffic control devices illustrated are REQUIRED, except those denoted with the triangle symbol may be omitted when stated elsewhere in the plans, or for routine maintenance work, when approved by the Engineer.
 - When work space will be in place less than three days existing pavement markings may remain in place. Channelizing devices shall be used to separate traffic.
 - Flagger control should NOT be used unless roadway conditions or heavy traffic volume require additional emphasis to safely control traffic. Flagger should be positioned at end of traffic queue.
 - The R4-1 "DO NOT PASS," R4-2 "PASS WITH CARE" and construction regulatory speed zone signs may be installed within CW20-1D "ROAD WORK AHEAD" signs. Proper spacing of signs shall be maintained.
 - Conflicting pavement marking shall be removed for long term projects.
 - A Shadow Vehicle with a TMA should be used anytime it can be positioned 30 to 100 feet in advance of the area of crew exposure without adversely affecting the performance or quality of the work. If workers are no longer present but road or work conditions require the traffic control to remain in place, Type 3 Barricades or other channelizing devices may be substituted.
 - Additional Shadow Vehicles with TMAs may be positioned off the paved surface, next to those shown in order to protect a wider work space.
- TCP (2-3a)**
- Conflicting pavement markings shall be removed for long-term projects. For shorter durations where traffic is directed over a yellow centerline, channelizing devices which separate two-way traffic should be spaced on tapers at 20' or 15' if posted speeds are 35 mph or slower, and for tangent sections, at 1/2(S) where S is the speed in mph. This lighter device spacing is intended for the area of the conflicting markings, not the entire work zone.

Texas Department of Transportation
Traffic Safety Division Standard

TRAFFIC CONTROL PLAN TRAFFIC SHIFTS ON TWO-LANE ROADS

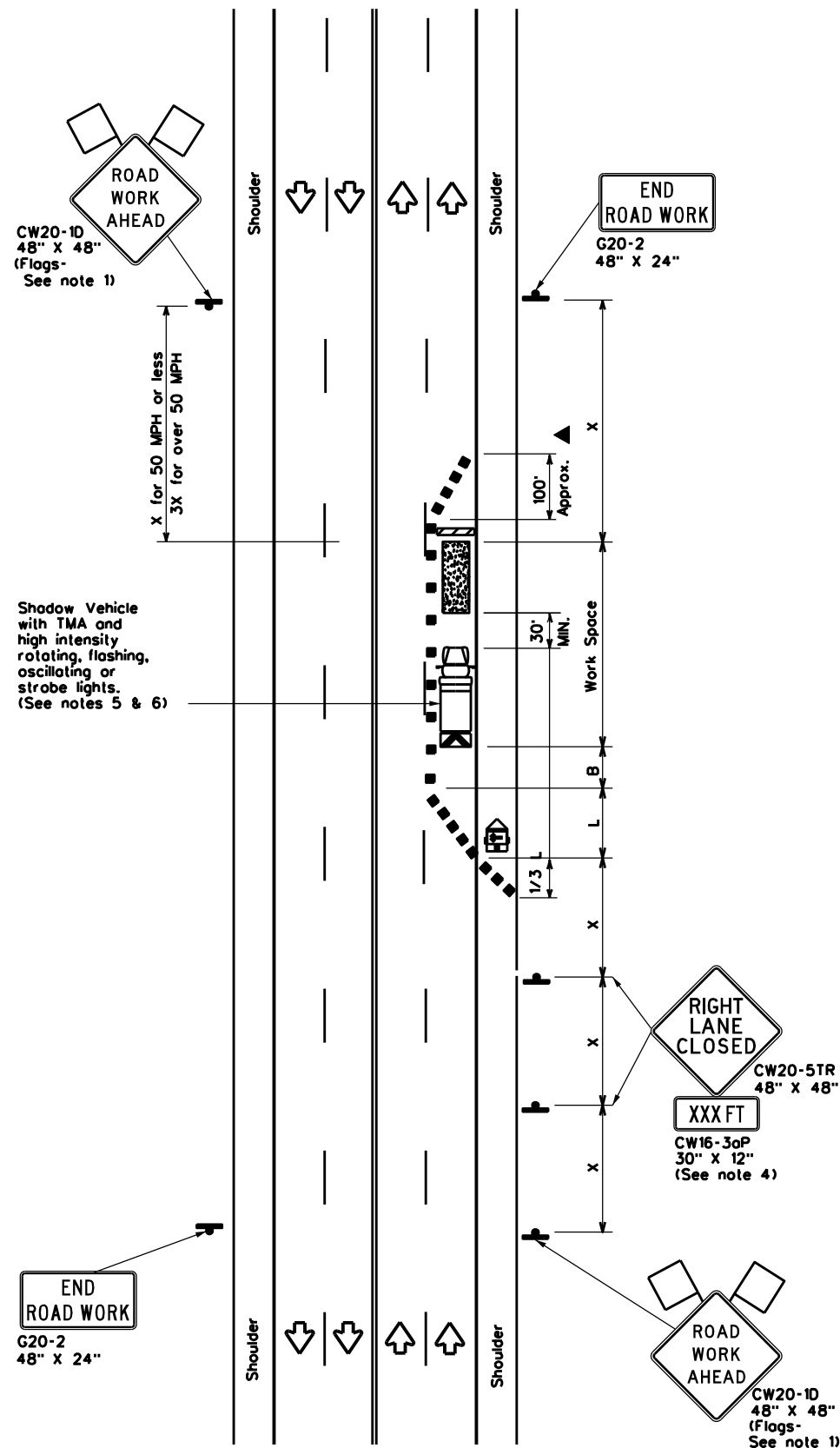
TCP(2-3)-23

FILE: tcp(2-3)-23.dgn	DN:	CK:	DW:	CK:
© TxDOT April 2023	CONT:	SECT:	JOB:	HIGHWAY:
REVISIONS:	6460	99	001	1H20, etc.
12-85 4-98 2-18	DIST:	COUNTY:	SHEET NO.:	
8-95 3-03 4-23	Ab1	Taylor, ETC.	22	
1-97 2-12				

163

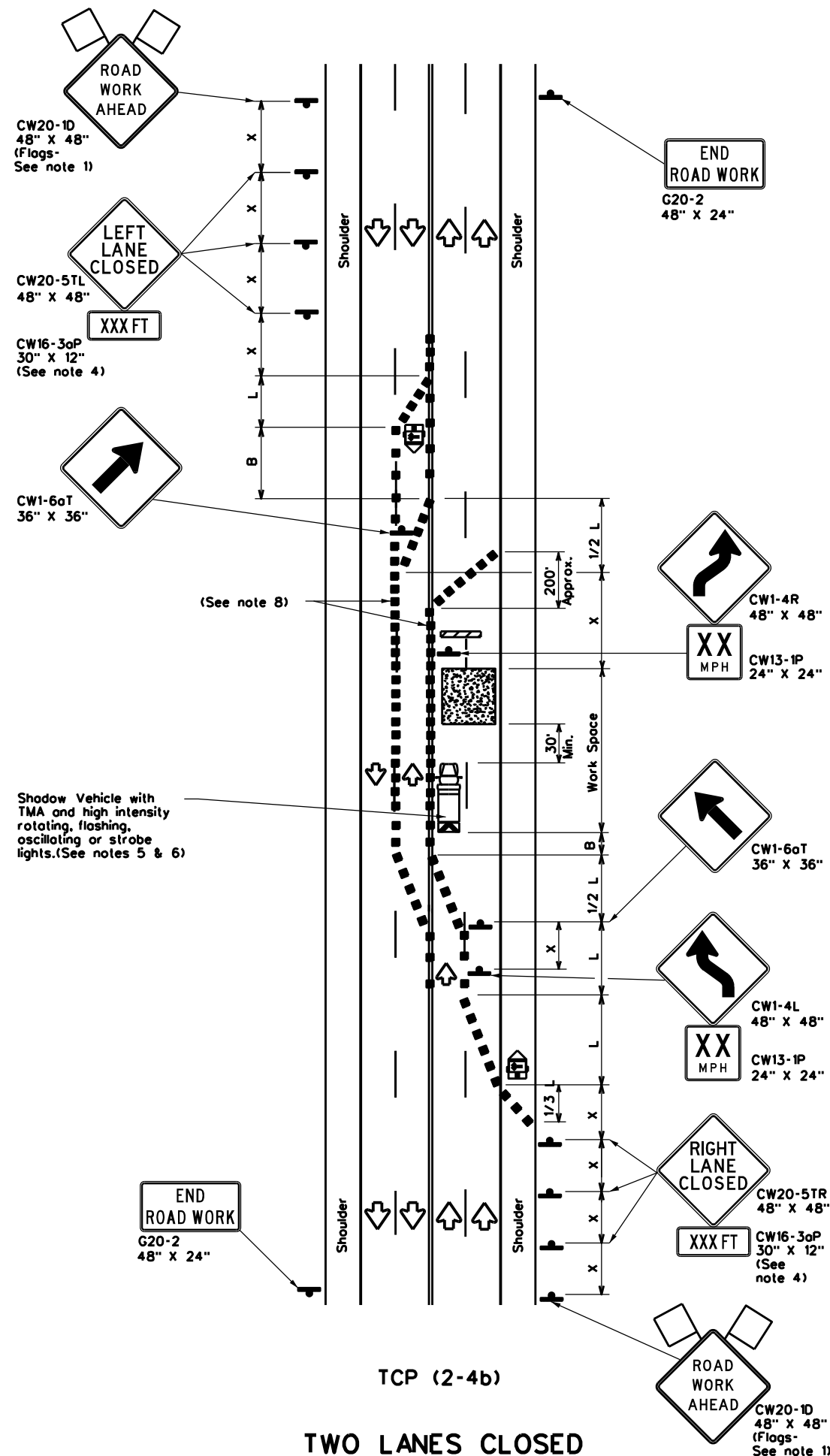
DISCLAIMER: The use of this standard is governed by the "Texas Engineering Practice Act". No warranty of any kind is made by TxDOT for any purpose whatsoever. TxDOT assumes no responsibility for the conversion of this standard to other formats or for incorrect results or damages resulting from its use.

DATE: FILE:



TCP (2-4a)

ONE LANE CLOSED



TCP (2-4b)

TWO LANES CLOSED

LEGEND			
	Type 3 Barricade		Channelizing Devices
	Heavy Work Vehicle		Truck Mounted Attenuator (TMA)
	Trailer Mounted Flashing Arrow Board		Portable Changeable Message Sign (PCMS)
	Sign		Traffic Flow
	Flag		Flagger

Posted Speed x	Formula	Minimum Desirable Taper Lengths x x			Suggested Maximum Spacing of Channelizing Devices		Minimum Sign Spacing "x" Distance	Suggested Longitudinal Buffer Space "B"
		10' Offset	11' Offset	12' Offset	On a Taper	On a Tangent		
30	L = WS ² / 60	150'	165'	180'	30'	60'	120'	90'
35		205'	225'	245'	35'	70'	160'	120'
40	L = WS	265'	295'	320'	40'	80'	240'	155'
45		450'	495'	540'	45'	90'	320'	195'
50	L = WS	500'	550'	600'	50'	100'	400'	240'
55		550'	605'	660'	55'	110'	500'	295'
60	L = WS	600'	660'	720'	60'	120'	600'	350'
65		650'	715'	780'	65'	130'	700'	410'
70	L = WS	700'	770'	840'	70'	140'	800'	475'
75		750'	825'	900'	75'	150'	900'	540'

x Conventional Roads Only
 xx Taper lengths have been rounded off.
 L-Length of Taper(FT) W-Width of Offset(FT) S-Posted Speed(MPH)

TYPICAL USAGE				
MOBILE	SHORT DURATION	SHORT TERM STATIONARY	INTERMEDIATE TERM STATIONARY	LONG TERM STATIONARY
		✓	✓	

GENERAL NOTES

- Flags attached to signs where shown, are REQUIRED.
- All traffic control devices illustrated are REQUIRED, except those denoted with the triangle symbol may be omitted when stated elsewhere in the plans, or for routine maintenance work, when approved by the Engineer.
- The downstream taper is optional. When used, it should be 100 feet minimum length per lane.
- For short term applications, when post mounted signs are not used, the distance legend may be shown on the sign face rather than on a CW16-3oP supplemental plaque.
- A Shadow Vehicle with a TMA should be used anytime it can be positioned 30 to 100 feet in advance of the area of crew exposure without adversely affecting the performance or quality of the work. If workers are no longer present but road or work conditions require the traffic control to remain in place, Type 3 Barricades or other channelizing devices may be substituted for the Shadow Vehicle and TMA.
- Additional Shadow Vehicles with TMAs may be positioned in each closed lane, on the shoulder or off the paved surface, next to those shown in order to protect a wider work space.

TCP (2-4a)

- If this TCP is used for a left lane closure, CW20-5TL "LEFT LANE CLOSED" signs shall be used and channelizing devices shall be placed on the centerline to protect the work space from opposing traffic with the arrow board placed in the closed lane near the end of the merging taper.

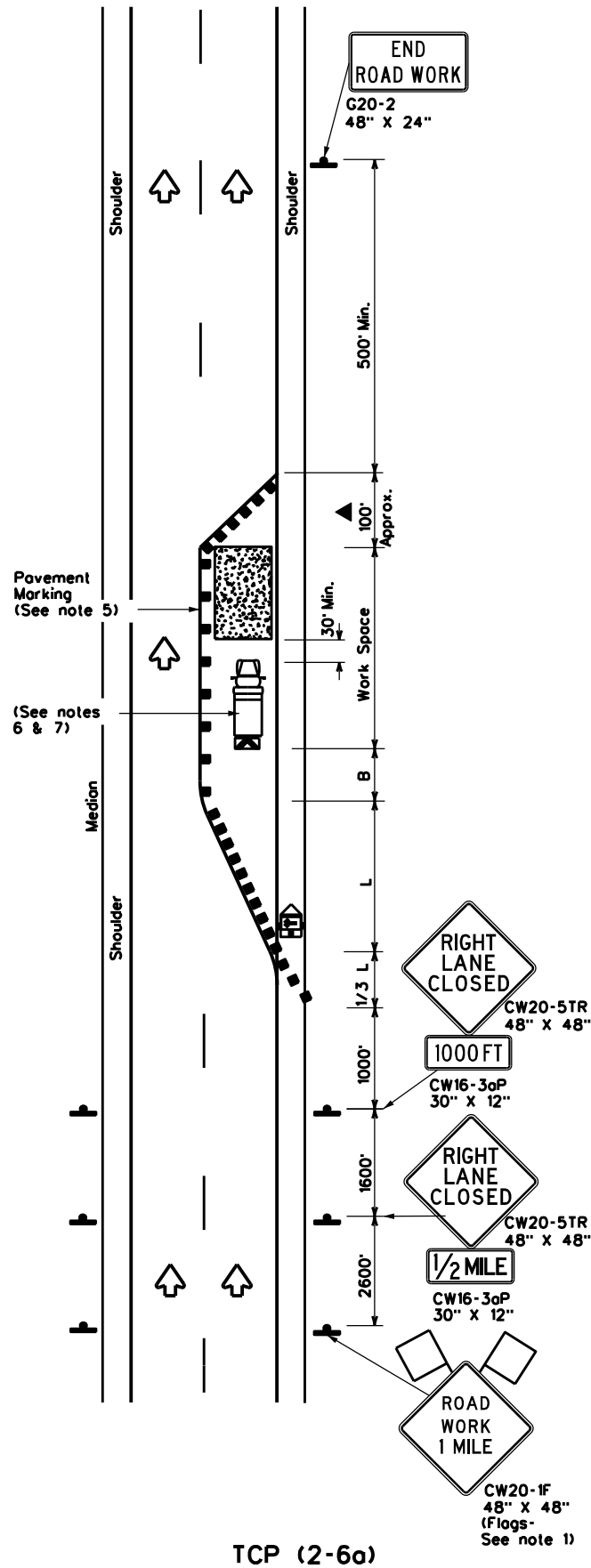
TCP (2-4b)

- For shorter durations where traffic is directed over a yellow centerline, channelizing devices which separate two-way traffic should be spaced on tapers at 20' or 15' if posted speeds are 35 mph or slower, and for tangent sections, at 1/2(S) where S is the speed in mph. This tighter device spacing is intended for the area of conflicting markings, not the entire work zone.

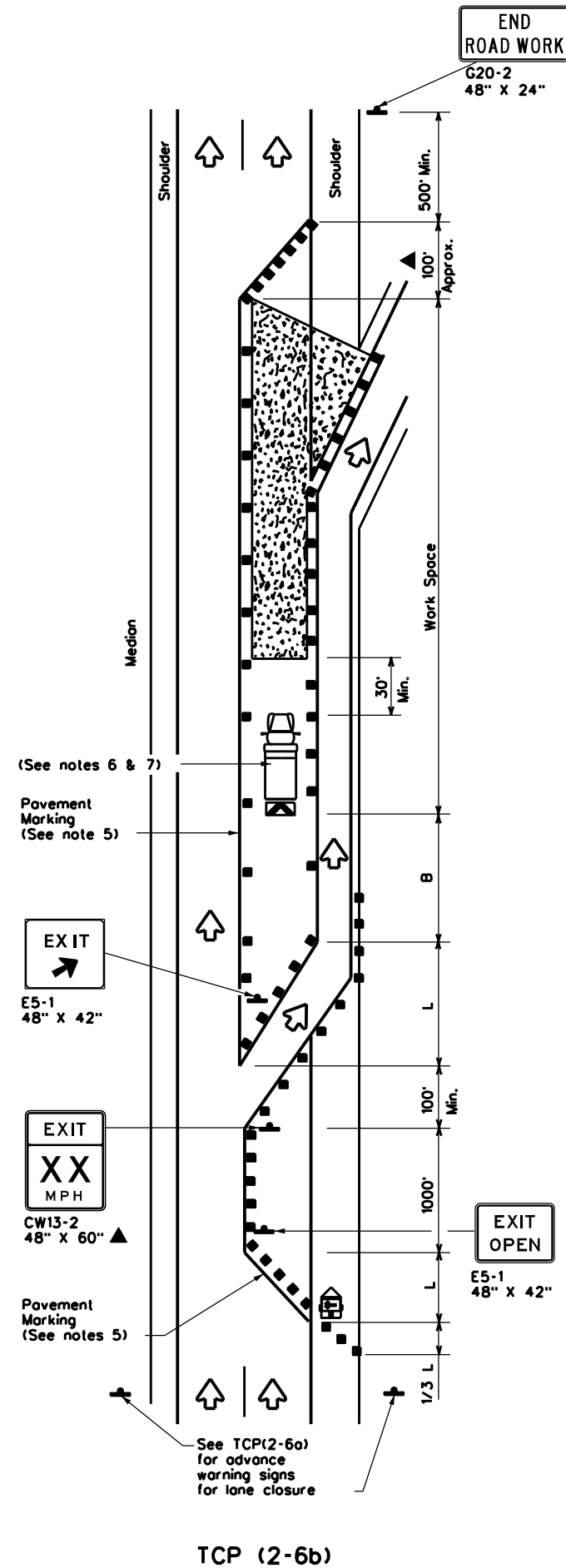
		Traffic Operations Division Standard	
TRAFFIC CONTROL PLAN LANE CLOSURES ON MULTILANE CONVENTIONAL ROADS			
TCP(2-4)-18			
FILE: tcp2-4-18.dgn	DN:	CK:	DW: CK:
© TxDOT December 1985	CONT	SECT	JOB
REVISIONS	6460	99	001
8-95 3-03			1H20, etc.
1-97 2-12	DIST	COUNTY	SHEET NO.
4-98 2-18	Ab1	Taylor, ETC.	23

DISCLAIMER: The use of this standard is governed by the "Texas Engineering Practice Act". No warranty of any kind is made by TxDOT for any purpose whatsoever. TxDOT assumes no responsibility for the conversion of this standard to other formats or for incorrect results or damages resulting from its use.

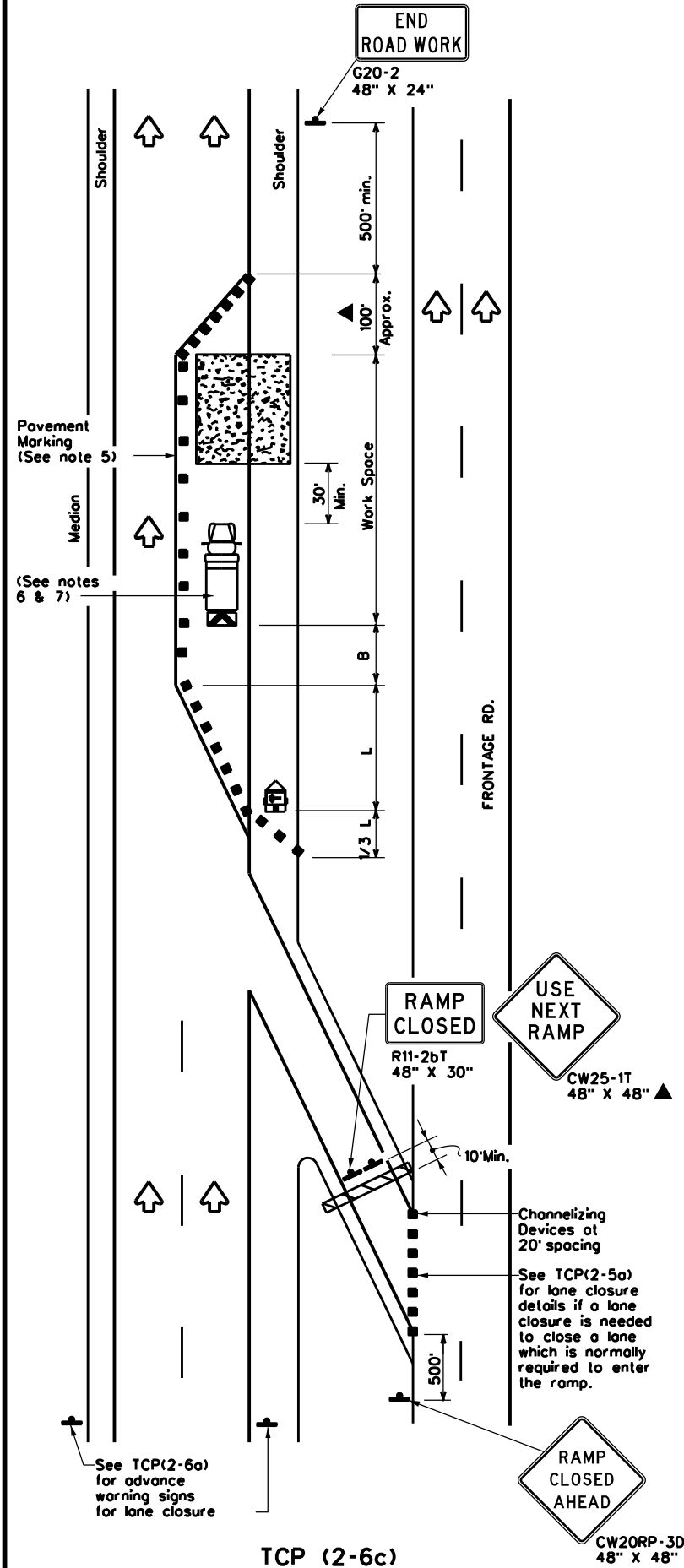
DATE: FILE:



TCP (2-6a)
ONE LANE CLOSURE



TCP (2-6b)
LANE CLOSURE NEAR EXIT RAMP



TCP (2-6c)
LANE CLOSURE NEAR ENTRANCE RAMP

LEGEND			
	Type 3 Barricade		Channelizing Devices
	Heavy Work Vehicle		Truck Mounted Attenuator (TMA)
	Trailer Mounted Flashing Arrow Board		Portable Changeable Message Sign (PCMS)
	Sign		Traffic Flow
	Flag		Flagger

Posted Speed x	Formula	Minimum Desirable Taper Lengths x x			Suggested Maximum Spacing of Channelizing Devices		Minimum Sign Spacing "x" Distance	Suggested Longitudinal Buffer Space "B"
		10' Offset	11' Offset	12' Offset	On a Taper	On a Tangent		
30	$L = \frac{WS^2}{60}$	150'	165'	180'	30'	60'	120'	90'
35		205'	225'	245'	35'	70'	160'	120'
40		265'	295'	320'	40'	80'	240'	155'
45	$L = WS$	450'	495'	540'	45'	90'	320'	195'
50		500'	550'	600'	50'	100'	400'	240'
55		550'	605'	660'	55'	110'	500'	295'
60		600'	660'	720'	60'	120'	600'	350'
65		650'	715'	780'	65'	130'	700'	410'
70		700'	770'	840'	70'	140'	800'	475'
75		750'	825'	900'	75'	150'	900'	540'

x Conventional Roads Only
 ** Taper lengths have been rounded off.
 L=Length of Taper(FT) W=Width of Offset(FT) S=Posted Speed(MPH)

TYPICAL USAGE				
MOBILE	SHORT DURATION	SHORT TERM STATIONARY	INTERMEDIATE TERM STATIONARY	LONG TERM STATIONARY
			✓	✓

GENERAL NOTES

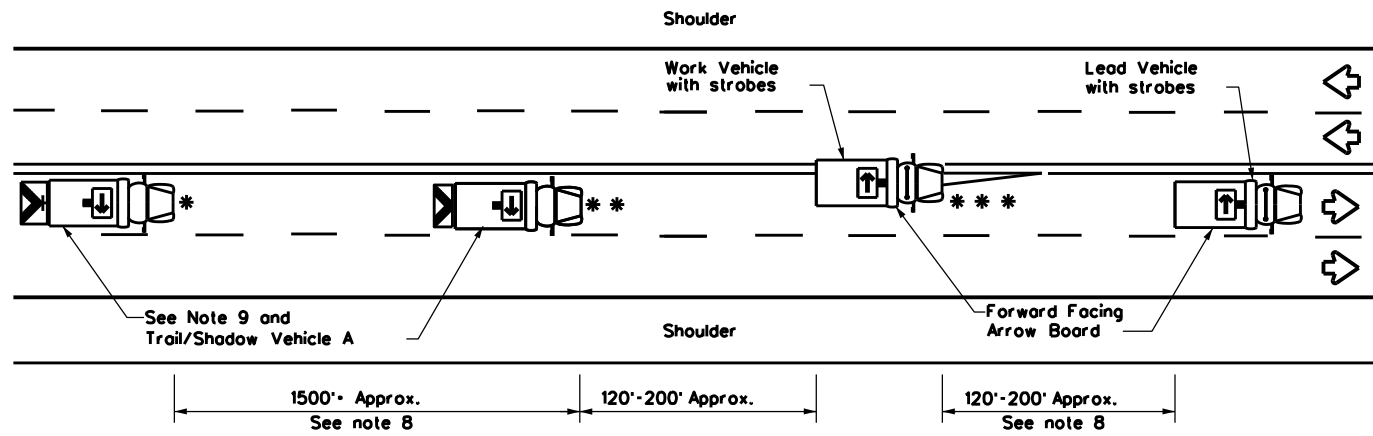
- Flags attached to signs where shown, are REQUIRED.
- All traffic control devices illustrated are REQUIRED, except those denoted with the triangle symbol may be omitted when stated elsewhere in the plans, or for routine maintenance work, when approved by the Engineer.
- Channelizing devices used to close lanes may be supplemented with the Chevron Alignment Sign placed on every other channelizing device. Chevrons may be attached to plastic drums as per BC Standards.
- Channelizing devices used along the work space or along tangent sections may be supplemented with vertical panels (VP) placed on every other channelizing device. If night time conditions make it difficult to see at least two VPs, the VPs may be placed on each channelizing device.
- The placement of pavement markings may be omitted on intermediate-term stationary work zones with the approval of the Engineer.
- Shadow Vehicle with TMA and high intensity rotating, flashing, oscillating or strobe lights. Shadow Vehicle with TMA and high intensity rotating, flashing, oscillating or strobe lights. A Shadow Vehicle with a TMA should be used anytime it can be positioned 30 to 100 feet in advance of the area of crew exposure without adversely affecting the performance or quality of the work. If workers are no longer present but road or work conditions require the traffic control to remain in place, Type 3 Barricades or other channelizing devices may be substituted for the Shadow Vehicle and TMA.
- Additional Shadow Vehicles with TMAs may be positioned in each closed lane, on the shoulder or off the paved surface, next to those shown in order to protect a wider work space.

**TRAFFIC CONTROL PLAN
 LANE CLOSURES ON
 DIVIDED HIGHWAYS**

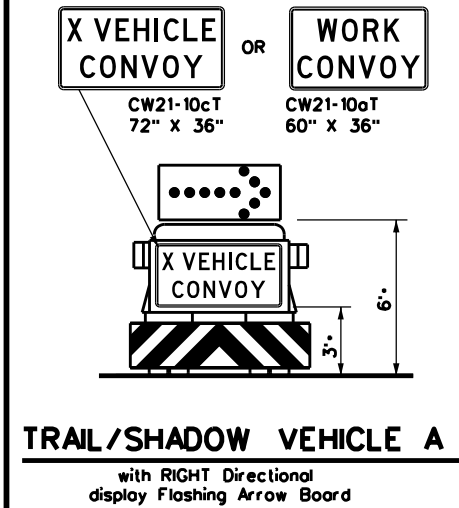
TCP(2-6)-18

FILE: tcp2-6-18.dgn	DN:	CK:	DW:	CK:
© TxDOT December 1985	CONT:	SECT:	JOB:	HIGHWAY:
REVISIONS	6460	99	001	IH20, etc.
2-94 4-98	DIST:	COUNTY:	SHEET NO.	
8-95 2-12	Abil	Taylor, ETC.	24	
1-97 2-18				

DISCLAIMER: The use of this standard is governed by the "Texas Engineering Practice Act". No warranty of any kind is made by TxDOT for any purpose whatsoever. TxDOT assumes no responsibility for the conversion of this standard to other formats or for incorrect results or damages resulting from its use.



TCP (3-1a)
UNDIVIDED MULTILANE ROADWAY



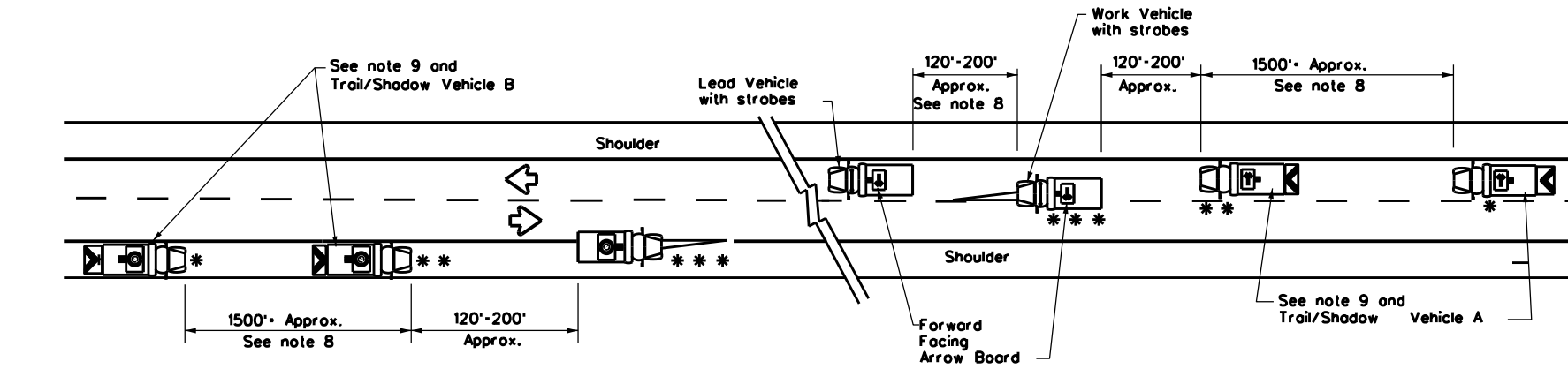
TRAIL/SHADOW VEHICLE A
with RIGHT Directional display Flashing Arrow Board

LEGEND		ARROW BOARD DISPLAY	
*	Trail Vehicle		
**	Shadow Vehicle		
***	Work Vehicle	→	RIGHT Directional
☐	Heavy Work Vehicle	←	LEFT Directional
☐	Truck Mounted Attenuator (TMA)	↔	Double Arrow
↔	Traffic Flow	⚠	CAUTION (Alternating Diamond or 4 Corner Flash)

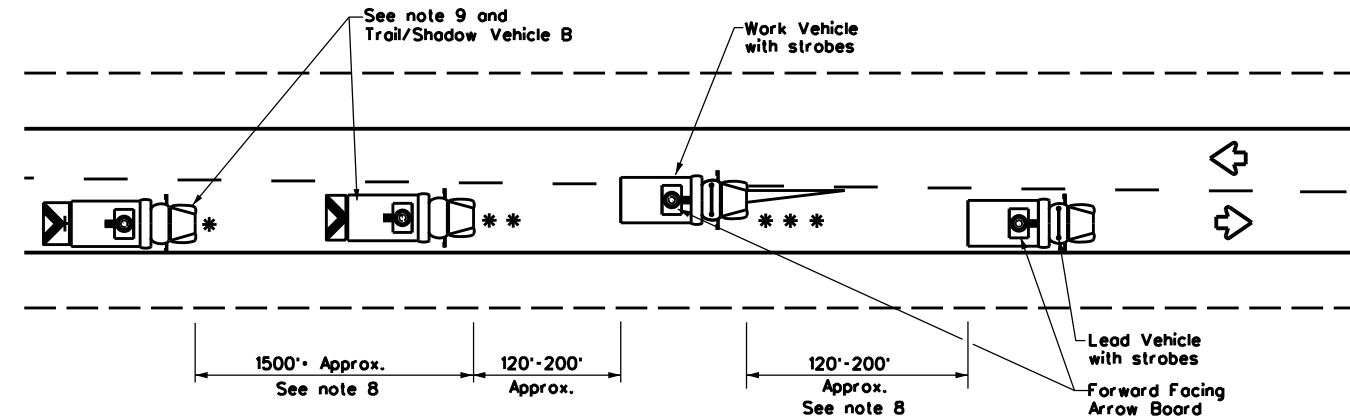
TYPICAL USAGE				
MOBILE	SHORT DURATION	SHORT TERM STATIONARY	INTERMEDIATE TERM STATIONARY	LONG TERM STATIONARY
✓				

GENERAL NOTES

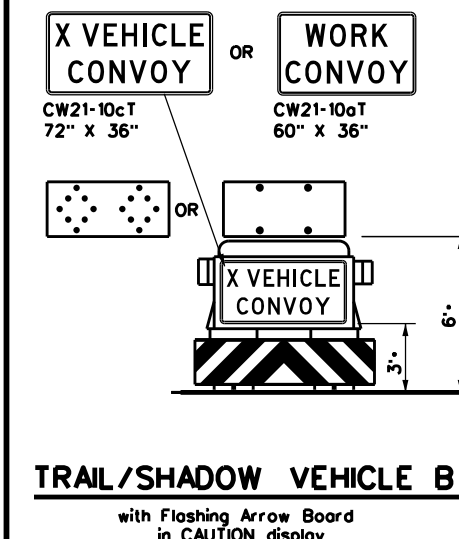
- TRAIL, SHADOW, and LEAD vehicles shall be equipped with arrow boards as illustrated. When a LEAD vehicle is not used the WORK vehicle must be equipped with an arrow board. The Engineer will determine if the LEAD VEHICLE and/or TRAIL VEHICLE are required based on prevailing roadway conditions, traffic volume, and sight distance restrictions.
- The use of amber high intensity rotating, flashing, oscillating, or strobe lights on vehicles are required. Blue high intensity rotating, flashing, oscillating or strobe lights when mounted on the driver's side of the vehicle may be operated simultaneously with the amber beacons or strobe lights.
- The use of truck mounted attenuators (TMA) on the SHADOW VEHICLE and TRAIL VEHICLE are required.
- Reflective sheeting on the rear of the TMA shall meet or exceed the reflectivity and color requirements of DEPARTMENTAL MATERIAL SPECIFICATION DMS 8300, Type A.
- Flashing arrow boards shall be Type B or Type C as per the Barricade and Construction (BC) standards. The board shall be controlled from inside the vehicle.
- Each vehicle shall have two-way radio communication capability.
- When work convoys must change lanes, the TRAIL VEHICLE should change lanes first to shadow the other convoy vehicles.
- Vehicle spacing between the TRAIL VEHICLE and the SHADOW VEHICLE will vary depending on sight distance restrictions. Motorists approaching the work convoy should be able to see the TRAIL VEHICLE in time to slow down and/or change lanes as they approach the TRAIL VEHICLE. Vehicle spacing between the WORK VEHICLE and SHADOW VEHICLE and vehicle spacing between WORK VEHICLE and LEAD VEHICLE may vary according to terrain, work activity and other factors.
- "X VEHICLE CONVOY" (CW21-10cT) or "WORK CONVOY" (CW21-10aT) signs shall be used on TRAIL VEHICLES and SHADOW VEHICLES as shown. As an option 48" X 48" diamond shaped "WORK CONVOY" (CW21-10T) or "X VEHICLE CONVOY" (CW21-10bT) signs may be used where adequate mounting space exists. When used, the X VEHICLE CONVOY sign shall have the number of the convoy vehicles displayed on the sign in the number designation "X" location. The "X VEHICLE CONVOY" sign shall not be used on the SHADOW VEHICLE if a TRAIL VEHICLE is used.
- On two-lane two-way roadways, the work and protection vehicles should pull over periodically to allow motor vehicle traffic to pass. If motorists are not allowed to pass the work convoy, a "DO NOT PASS" (R4-1) sign should be placed on the back of the rearmost protection vehicle.



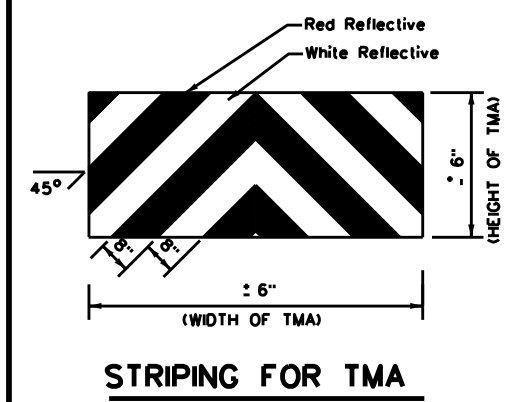
TCP (3-1b)
TWO-WAY ROADWAY WITH PAVED SHOULDERS



TCP (3-1c)
TWO-WAY ROADWAY WITHOUT PAVED SHOULDERS



TRAIL/SHADOW VEHICLE B
with Flashing Arrow Board in CAUTION display



STRIPING FOR TMA



**TRAFFIC CONTROL PLAN
MOBILE OPERATIONS
UNDIVIDED HIGHWAYS**

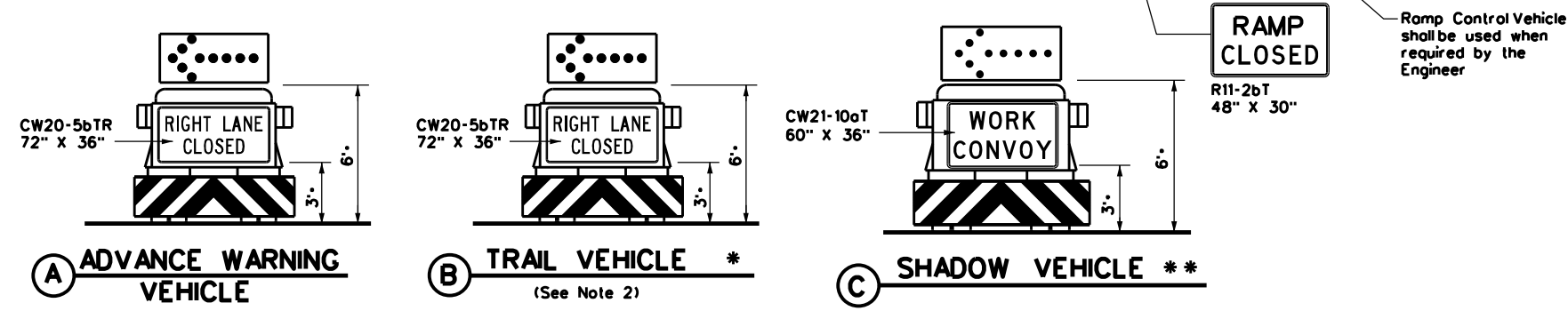
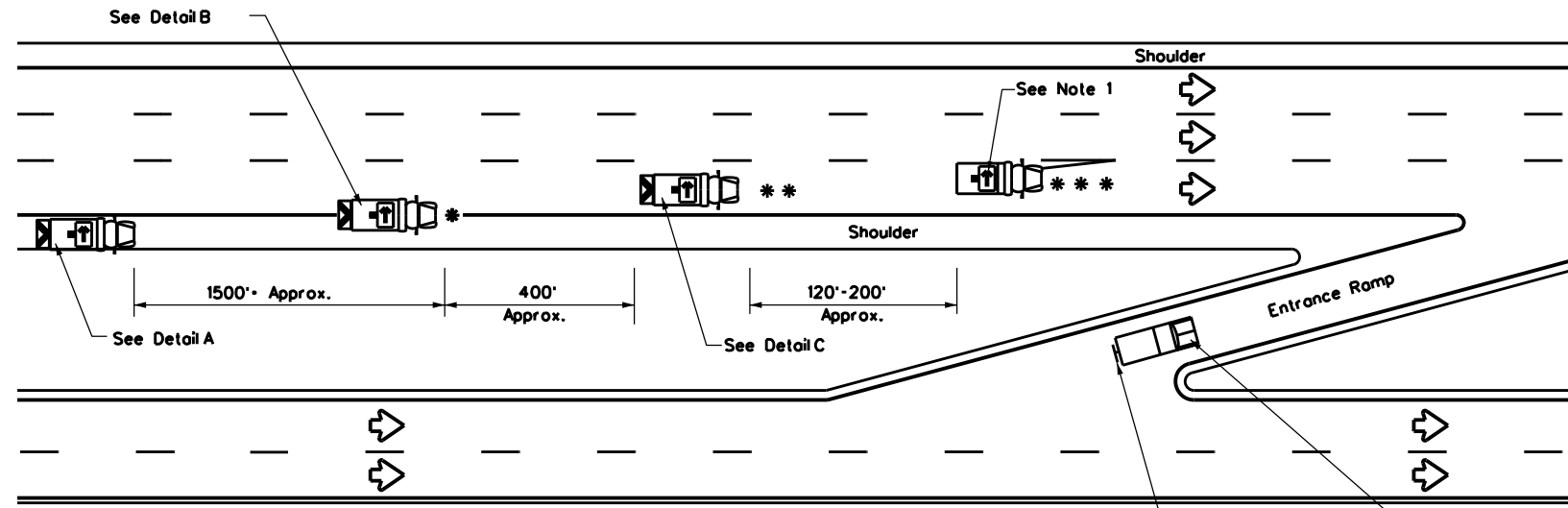
TCP(3-1)-13

FILE: tcp3-1.dgn	DN: TxDOT	CK: TxDOT	DW: TxDOT	CK: TxDOT
© TxDOT December 1985	CONT	SECT	JOB	HIGHWAY
REVISIONS	6460	99	001	IH20, etc.
2-94	4-98			
8-95	7-13			
1-97				
	DIST	COUNTY		SHEET NO.
	Abil	Taylor, ETC.		25

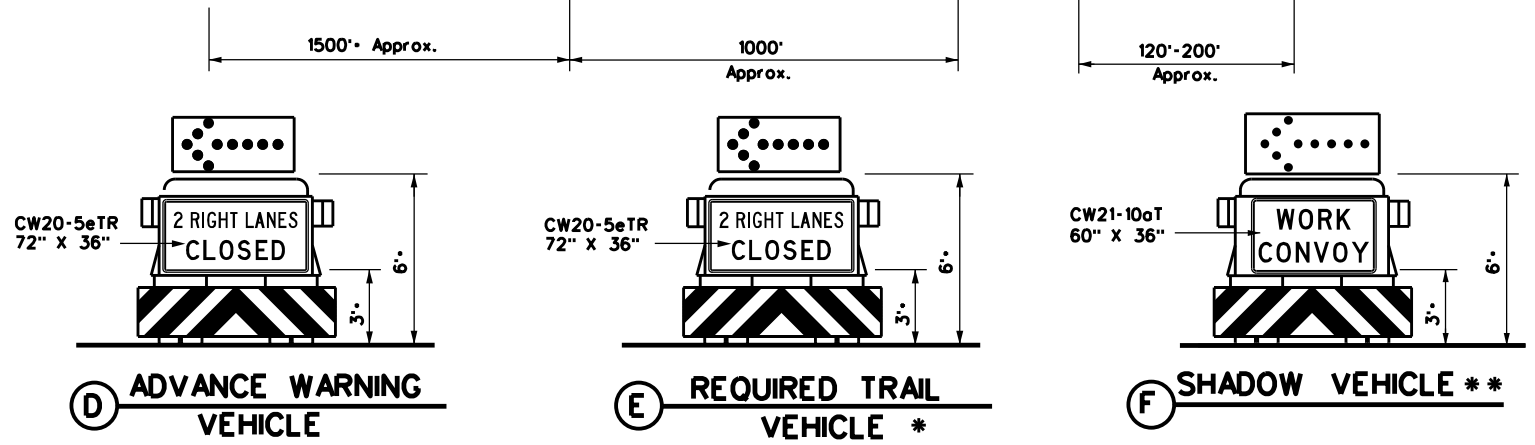
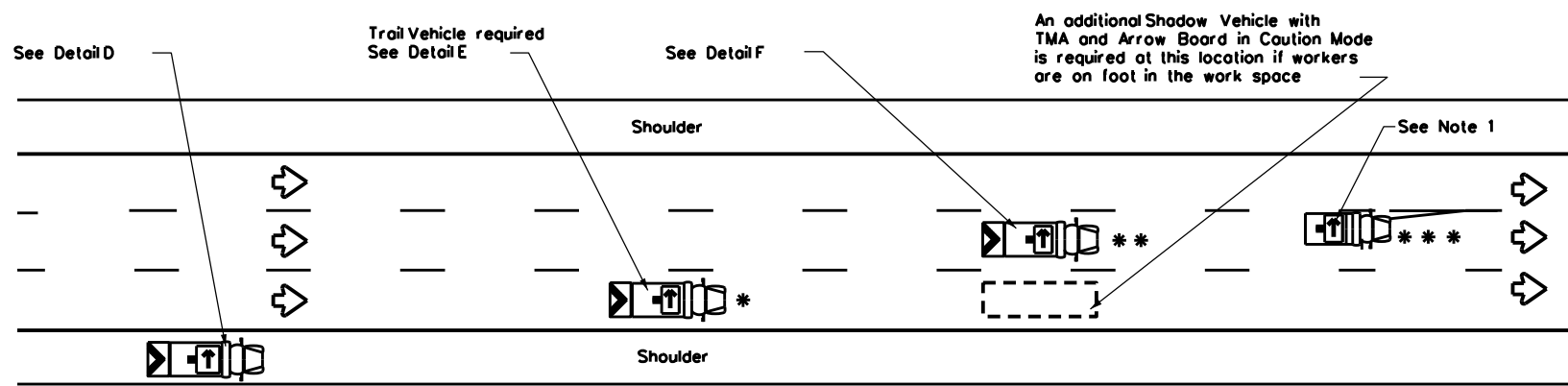
DATE:
FILE:

DISCLAIMER: The use of this standard is governed by the "Texas Engineering Practice Act". No warranty of any kind is made by TxDOT for any purpose whatsoever. TxDOT assumes no responsibility for the conversion of this standard to other formats or for incorrect results or damages resulting from its use.

DATE: FILE:



RIGHT LANE CLOSURE ON DIVIDED HIGHWAY - TCP(3-2a)



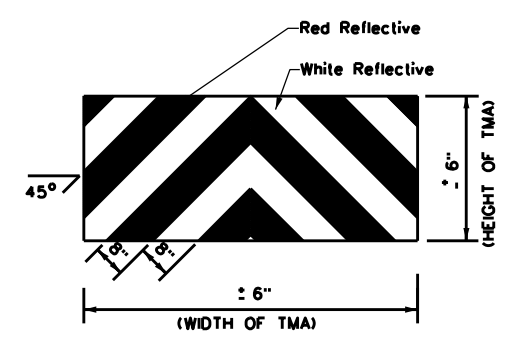
INTERIOR LANE CLOSURE ON MULTI-LANE DIVIDED HIGHWAY - TCP(3-2b)

LEGEND			
*	Trail Vehicle	ARROW BOARD DISPLAY	
**	Shadow Vehicle		
***	Work Vehicle	→	RIGHT Directional
☐	Heavy Work Vehicle	←	LEFT Directional
⬇	Truck Mounted Attenuator (TMA)	↔	Double Arrow
⬇	Traffic Flow	⚠	CAUTION (Alternating Diamond or 4 Corner Flash)

TYPICAL USAGE				
MOBILE	SHORT DURATION	SHORT TERM STATIONARY	INTERMEDIATE TERM STATIONARY	LONG TERM STATIONARY
✓				

GENERAL NOTES

- ADVANCE WARNING, TRAIL and SHADOW vehicles shall be equipped with Type B or Type C flashing arrow boards as per the Barricade and Construction (BC) standards. Arrow boards on WORK vehicles will be optional based on the type of work being performed. The arrow boards shall be operated from inside the vehicle.
- For TCP(3-2a) the Engineer will determine if the TRAIL VEHICLE is required based on prevailing roadway conditions, traffic volume, and sight distance restrictions. All other vehicles shown for both TCP(3-2a) and TCP(3-2b) are required.
- The use of amber high intensity rotating, flashing, oscillating, or strobe lights on vehicles are required. Blue high intensity rotating, flashing, oscillating or strobe lights when mounted on the driver's side of the vehicle may be operated simultaneously with the amber beacons or strobe lights.
- The use of truck mounted attenuators (TMA) on the ADVANCE WARNING, SHADOW, and TRAIL vehicles are required.
- Reflective sheeting on the rear of the TMA shall meet or exceed the reflectivity and color requirements of DMS 8300, Type A.
- Each vehicle shall have two-way radio communication capability.
- When work convoys must change lanes, the TRAIL VEHICLE should change lanes first to shadow the other convoy vehicles.
- Vehicle spacing between the TRAIL VEHICLE and the SHADOW VEHICLE will vary depending on sight distance restrictions. Motorists approaching the work convoy should be able to see the TRAIL VEHICLE in time to slow down and/or change lanes as they approach the TRAIL VEHICLE. Vehicle spacing between the WORK VEHICLE and SHADOW VEHICLE may vary according to terrain, work activity and other factors.
- Standard 48" X 48" diamond shaped warning signs with the same message as those shown may be used where adequate mounting space exists.
- The signs shown should be used on the Advance Warning Vehicle. As an option, a portable changeable message sign (PCMS) or a truck mounted changeable message sign (TMCMS) with a minimum character height of 12", and displaying the same legend may be substituted for these signs. An appropriate directional arrow display, simulating the size and legibility of the flashing arrow board, must be used in the second phase of the PCMS/TMCMS message. When this is done, the arrow board will not be required on the Advance Warning Vehicle.
- Standard diamond shape versions of the CW20-5 series signs may be used as an option if the rectangular signs shown are not available.
- The principles on this sheet may be used to close lanes from the left side of the roadway considering the number of lanes, shoulder width, sight distance, and ramp frequency.
- Signs and flashing arrow board modes shall be appropriately altered when implementing left lane closures or interior closures which close the left lanes.
- The Advance Warning Vehicle may straddle the edgeline when shoulder width makes it necessary.



STRIPING FOR TMA

Texas Department of Transportation
Traffic Operations Division Standard

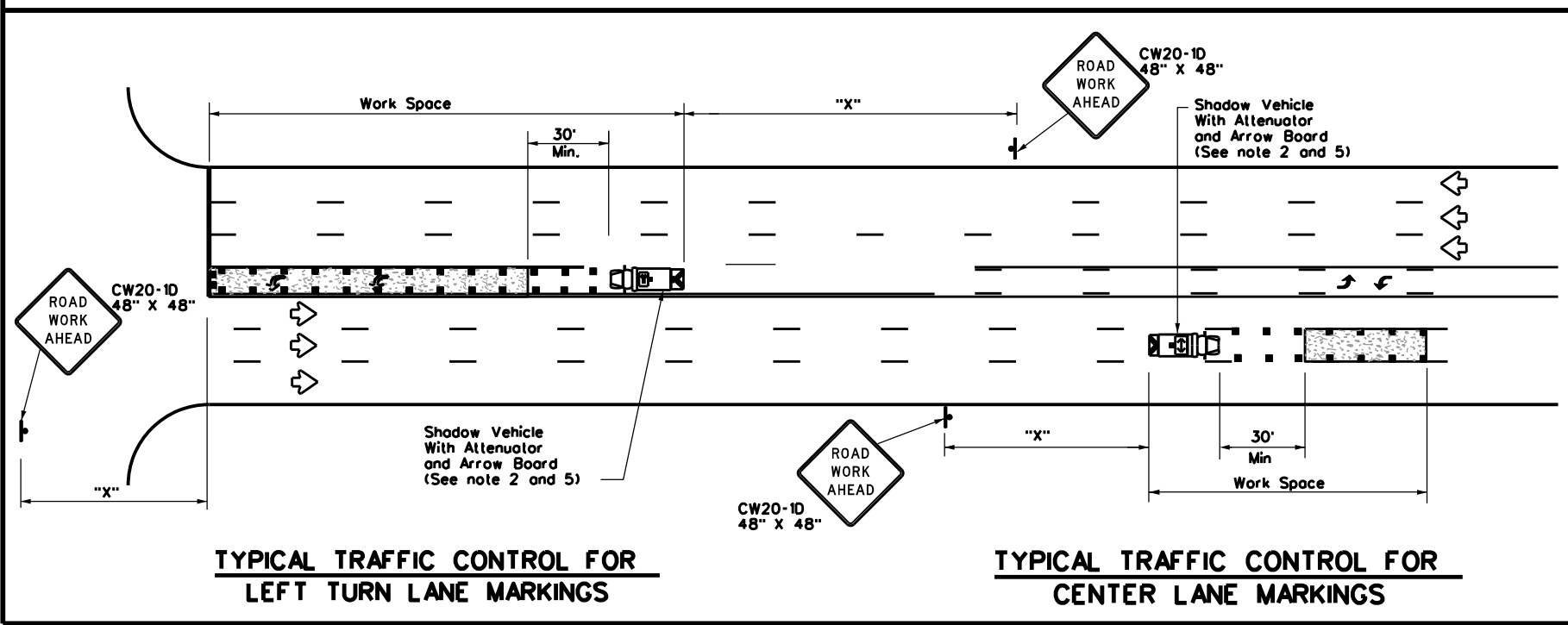
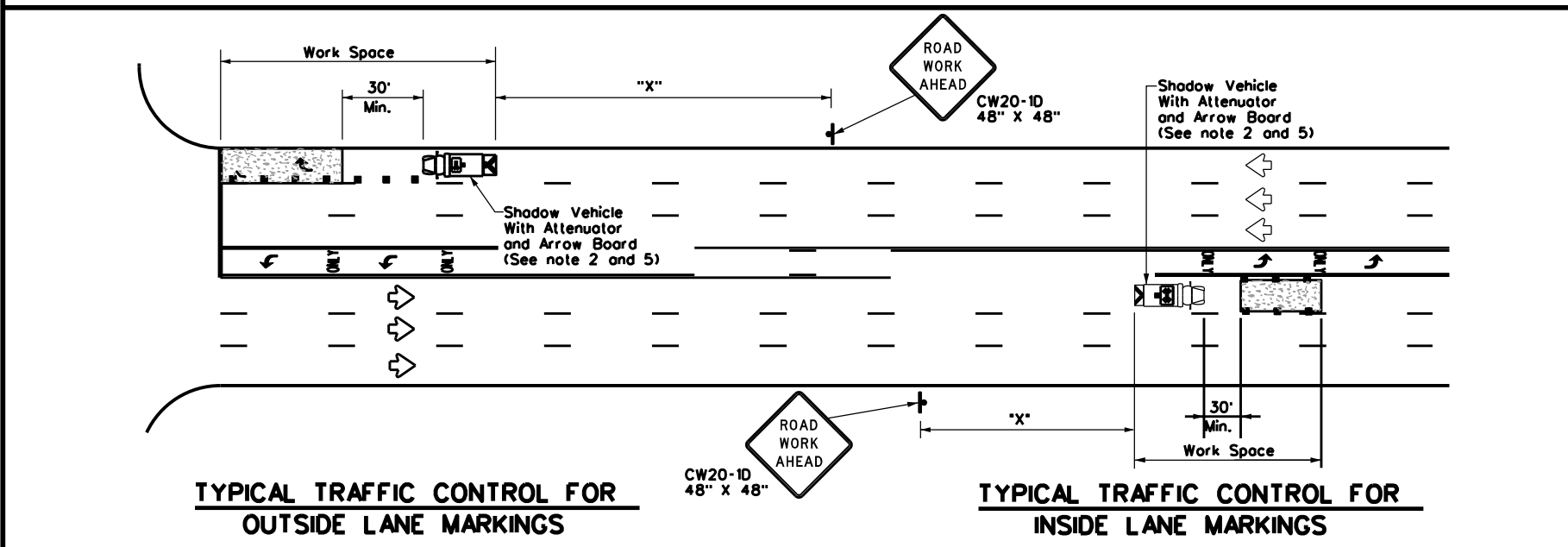
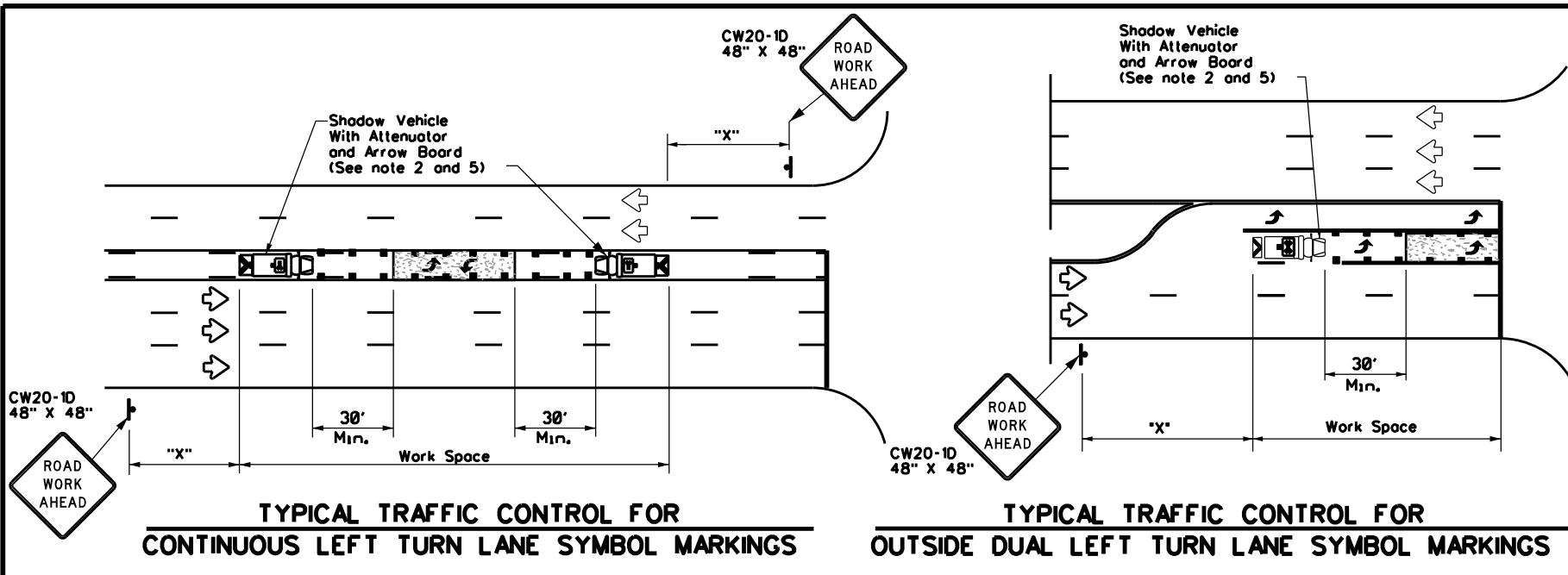
**TRAFFIC CONTROL PLAN
MOBILE OPERATIONS
DIVIDED HIGHWAYS**

TCP(3-2)-13

FILE: tcp3-2.dgn	DN: TxDOT	CK: TxDOT	DW: TxDOT	CK: TxDOT
© TxDOT December 1985	CONT: 6460	SECT: 99	JOB: 001	HIGHWAY: #120, etc.
REVISIONS: 2-94 4-98 8-95 7-13 1-97	DIST: Abil	COUNTY: Taylor, ETC.	SHEET NO. 26	

DISCLAIMER: The use of this standard is governed by the "Texas Engineering Practice Act". No warranty of any kind is made by TxDOT for any purpose whatsoever. TxDOT assumes no responsibility for the conversion of this standard to other formats or for incorrect results or damages resulting from its use.

DATE: FILE:



LEGEND		
*	Trail Vehicle	ARROW BOARD DISPLAY
**	Shadow Vehicle	
***	Work Vehicle	RIGHT Directional
[Symbol]	Heavy Work Vehicle	LEFT Directional
[Symbol]	Truck Mounted Attenuator (TMA)	Double Arrow
[Symbol]	Traffic Flow	Channelizing Devices

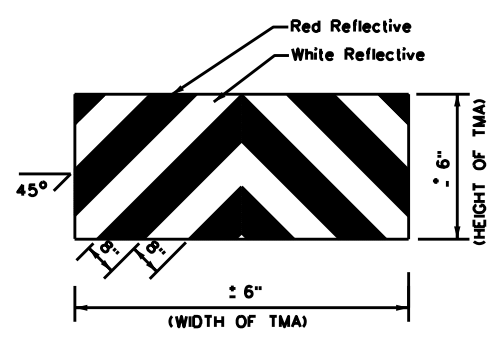
Posted Speed *	Formula	Minimum Desirable Taper Lengths * x			Suggested Maximum Spacing of Channelizing Devices		Minimum Sign Spacing "X" Distance	Suggested Longitudinal Buffer Space "B"
		10' Offset	11' Offset	12' Offset	On a Taper	On a Tangent		
30	L = WS ² / 60	150'	165'	180'	30'	60'	120'	90'
35		205'	225'	245'	35'	70'	160'	120'
40		265'	295'	320'	40'	80'	240'	155'
45	L = WS	450'	495'	540'	45'	90'	320'	195'
50		500'	550'	600'	50'	100'	400'	240'
55		550'	605'	660'	55'	110'	500'	295'
60		600'	660'	720'	60'	120'	600'	350'
65		650'	715'	780'	65'	130'	700'	410'
70		700'	770'	840'	70'	140'	800'	475'
75		750'	825'	900'	75'	150'	900'	540'

* Conventional Roads Only
 ** Taper lengths have been rounded off.
 L=Length of Taper(FT) W=Width of Offset(FT) S=Posted Speed(MPH)

TYPICAL USAGE				
MOBILE	SHORT DURATION	SHORT TERM STATIONARY	INTERMEDIATE TERM STATIONARY	LONG TERM STATIONARY
✓				

GENERAL NOTES

1. This traffic control plan is for use on conventional roads posted at 45 mph or less and is intended for mobile operations that move continuously or intermittently (stopping up to approximately 15 minutes) such as short-line striping and in-lane rumble strips. When activities are anticipated to take longer amounts of time or traffic conditions warrant, a short duration or short-term stationary traffic control plan should be used.
2. A Truck Mounted Attenuator shall be used on Shadow Vehicle. Striping on the back panel of all truck mounted attenuators shall be 8" red and white reflective sheeting placed in an inverted "V" design. Reflective sheeting shall meet or exceed the reflectivity and color requirements of departmental material specification DMS-8300, Type A.
3. All traffic control devices shall be in accordance with the "Texas Manual on Uniform Traffic Control Devices" (TMUTCD), latest edition.
4. The use of yellow rotating beacons or strobe lights on vehicles are required. Blue high intensity rotating, flashing, oscillating or strobe lights when mounted on the drivers side of the vehicle may be operated simultaneously with the amber beacons or strobe lights.
5. Flashing arrow board shall be used on Shadow Vehicle. Flashing arrow board shall be Type B or Type C as per BC Standards. The arrow board operation shall be controlled from inside the truck.



Texas Department of Transportation
 Traffic Operations Division Standard

**TRAFFIC CONTROL PLAN
 MOBILE OPERATIONS FOR
 ISOLATED WORK AREAS
 UNDIVIDED HIGHWAYS
 TCP(3-4)-13**

FILE: tcp3-4.dgn	DN: TxDOT	CK: TxDOT	DW: TxDOT	CK: TxDOT
© TxDOT July, 2013	CONT	SECT	JOB	HIGHWAY
REVISIONS	6460	99	001	IH20, etc.
DIST	COUNTY		SHEET NO.	
ABL	Taylor, ETC.		27	

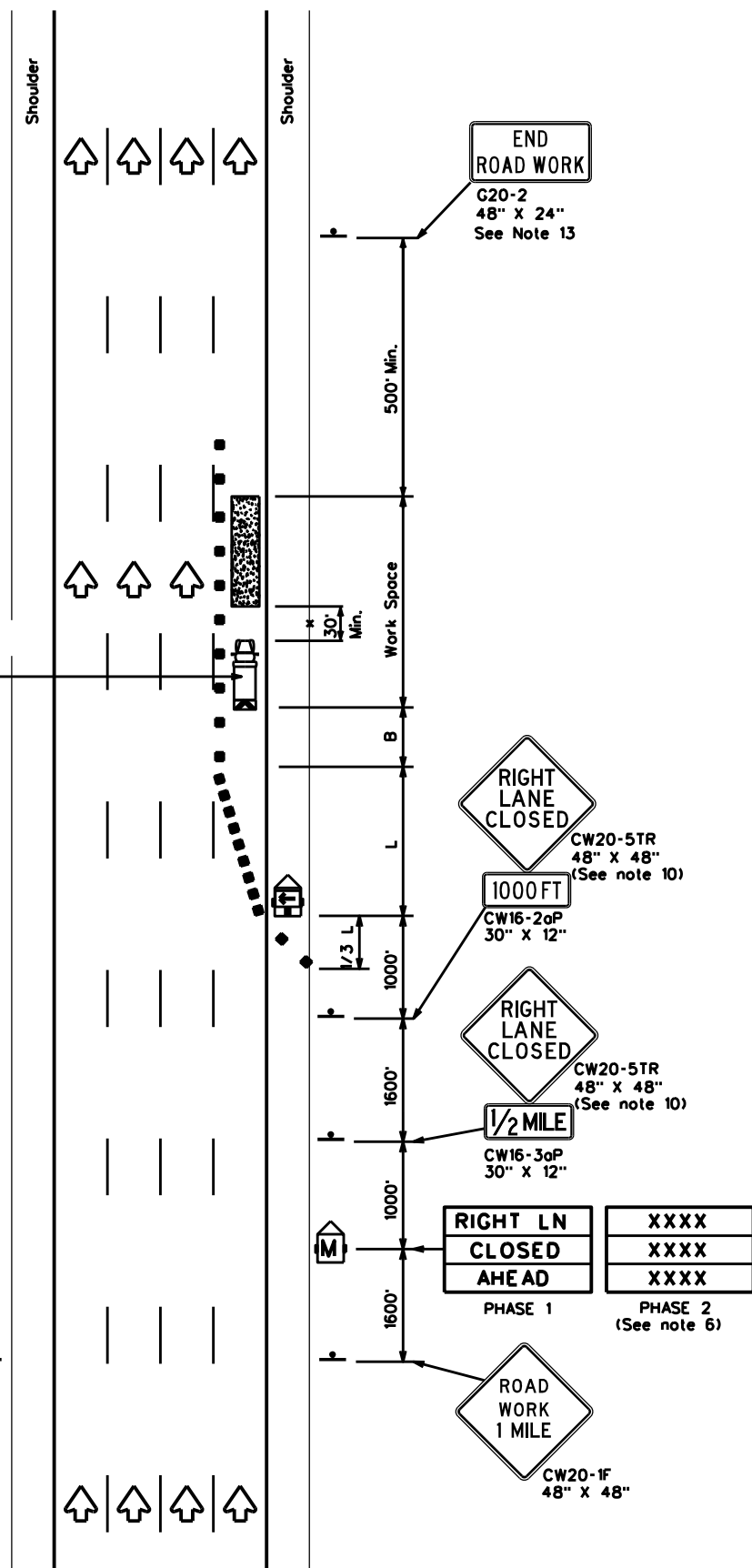
DISCLAIMER: The use of this standard is governed by the "Texas Engineering Practice Act". No warranty of any kind is made by TxDOT for any purpose whatsoever. TxDOT assumes no responsibility for the conversion of this standard to other formats or for incorrect results or damages resulting from its use.

DATE: FILE:

Shadow Vehicle with TMA and high intensity rotating, flashing, oscillating or strobe lights

See note 1 and 7

See note 1 and 7



TCP (6-1a)

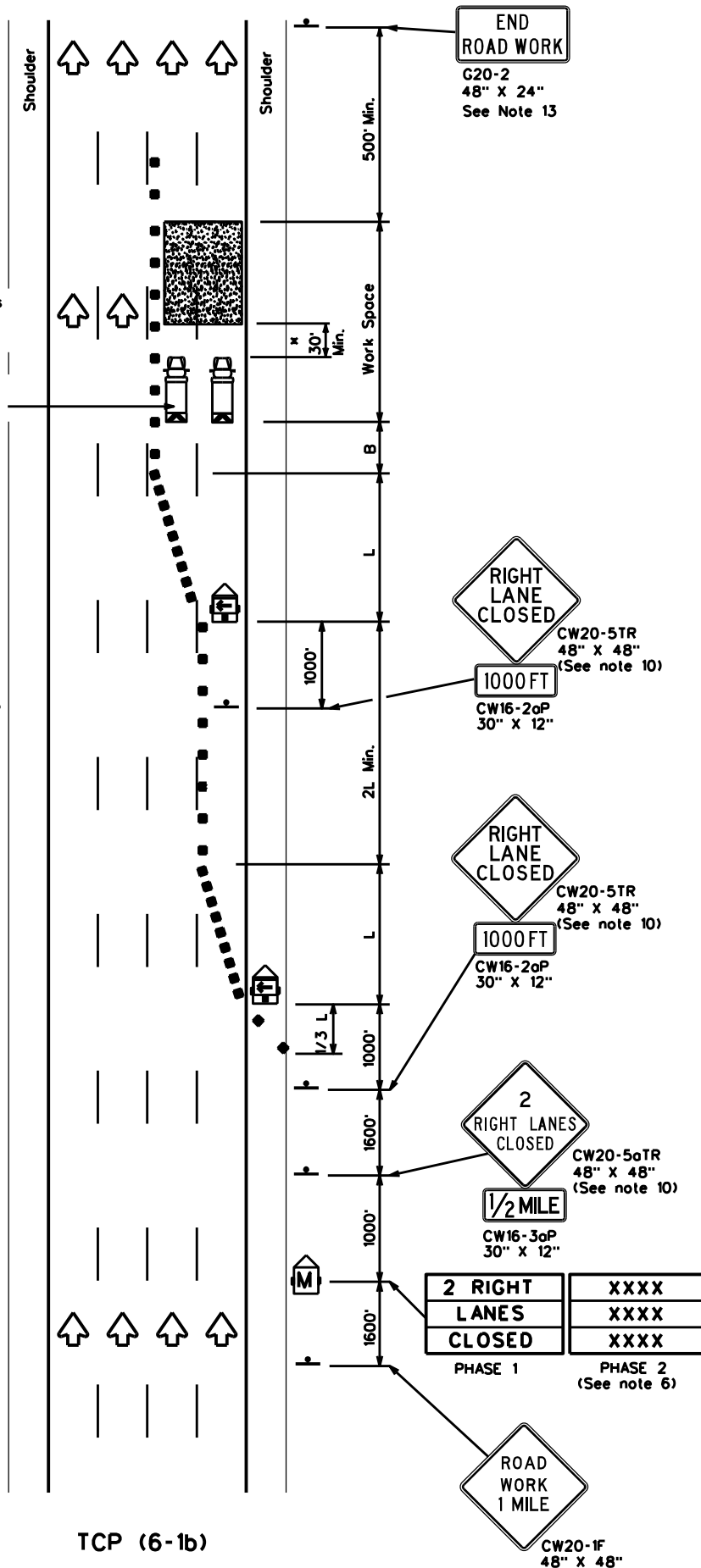
TYPICAL FREEWAY ONE LANE CLOSURE

Shadow Vehicles with TMA and high intensity rotating, flashing, oscillating or strobe lights

See note 1 and 7

See note 1 and 7

See note 1 and 7



TCP (6-1b)

TYPICAL FREEWAY TWO LANE CLOSURE

LEGEND

	Type 3 Barricade		Channelizing Devices
	Heavy Work Vehicle		Truck Mounted Attenuator (TMA)
	Trailer Mounted Flashing Arrow Board		Portable Changeable Message Sign (PCMS)
	Sign		Traffic Flow
	Flag		Flagger

Posted Speed	Formula	Minimum Desirable Taper Lengths "L"			Suggested Maximum Spacing of Channelizing Devices		Suggested Longitudinal Buffer Space "B"
		10' Offset	11' Offset	12' Offset	On a Taper	On a Tangent	
45	L = WS	450'	495'	540'	45'	90'	195'
50		500'	550'	600'	50'	100'	240'
55		550'	605'	660'	55'	110'	295'
60		600'	660'	720'	60'	120'	350'
65		650'	715'	780'	65'	130'	410'
70		700'	770'	840'	70'	140'	475'
75		750'	825'	900'	75'	150'	540'
80		800'	880'	960'	80'	160'	615'

** Taper lengths have been rounded off.
L-Length of Taper(FT) W-Width of Offset(FT) S-Posted Speed(MPH)

TYPICAL USAGE

MOBILE	SHORT DURATION	SHORT TERM STATIONARY	INTERMEDIATE TERM STATIONARY	LONG TERM STATIONARY
	✓	✓	✓	

GENERAL NOTES

- All traffic control devices illustrated are REQUIRED. Devices denoted with the triangle symbol may be omitted when stated elsewhere in the plans.
- Drums or 42" cones are the typical channelizing devices. For Intermediate Term Stationary work, drums shall be used on tapers with drums or 42" cones used on tangent sections. Other channelizing devices may be used as directed by the Engineer.
- All construction signs and barricades placed during any phase of work shall remain in place until removal is approved by the Engineer.
- The Engineer may direct the Contractor to furnish additional signs and barricades as required to maintain traffic flow, detours and motorist safety during construction.
- Static message boards or changeable message signs stating the date and duration of ramp or freeway lane closures shall be placed a minimum of seven (7) calendar days in advance of the actual closure.
- Phase 2 of the PCMS message should include appropriate information formatted as shown on BC(6), such as "MERGE LEFT," recommended advisory speed, delay information, or other specific warnings.
- Duplicate construction warning signs should be erected on the median side of freeways where median width will permit and traffic volume justifies the signing.
- The number of closed lanes may be increased provided the spacing of traffic control devices, taper lengths and tangent lengths meet the requirements of the T MUTCD.
- Warning signs for intermediate term stationary work should be mounted at 7' to the bottom of the sign.
- Warning signs shown shall be appropriately altered for left lane closures. When signs are mounted at 7' height for short term stationary or short duration work, sign versions shown in the SHSD for Texas with distances on the sign face rather than mounted on a plaque below the sign may be used.
- When possible, PCMS units should be located in advance of the last available exit ramp prior to the lane closure to allow motorists an alternate route. They may also be relocated to improve advance warning in case of unanticipated queuing or congestion.
- For Intermediate Term Stationary work at night, floodlights should be used to illuminate the work area and equipment crossings. Floodlights shall not produce a disabling glare condition for road users or workers.
- The END ROAD WORK (G20-2) sign may be omitted when it conflicts with G20-2 signs already in place on the project.

A shadow vehicle equipped with a Truck Mounted Attenuator is typically required. A shadow vehicle equipped with a TMA shall be used if it can be positioned 30' to 100' in advance of the area of crew exposure without adversely affecting the work performance.

Texas Department of Transportation
Traffic Operations Division Standard

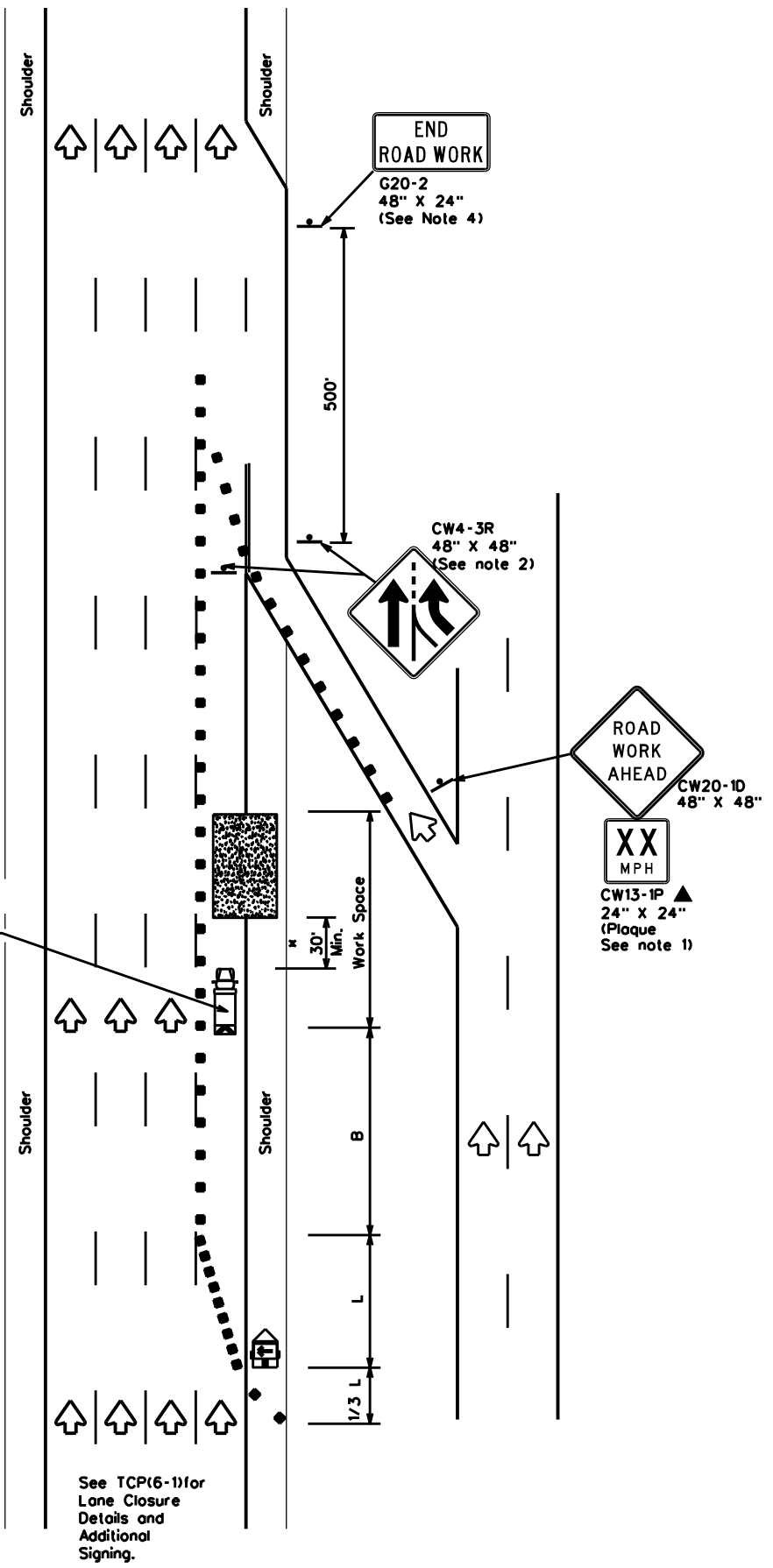
**TRAFFIC CONTROL PLAN
FREEWAY LANE CLOSURES**

TCP(6-1)-12

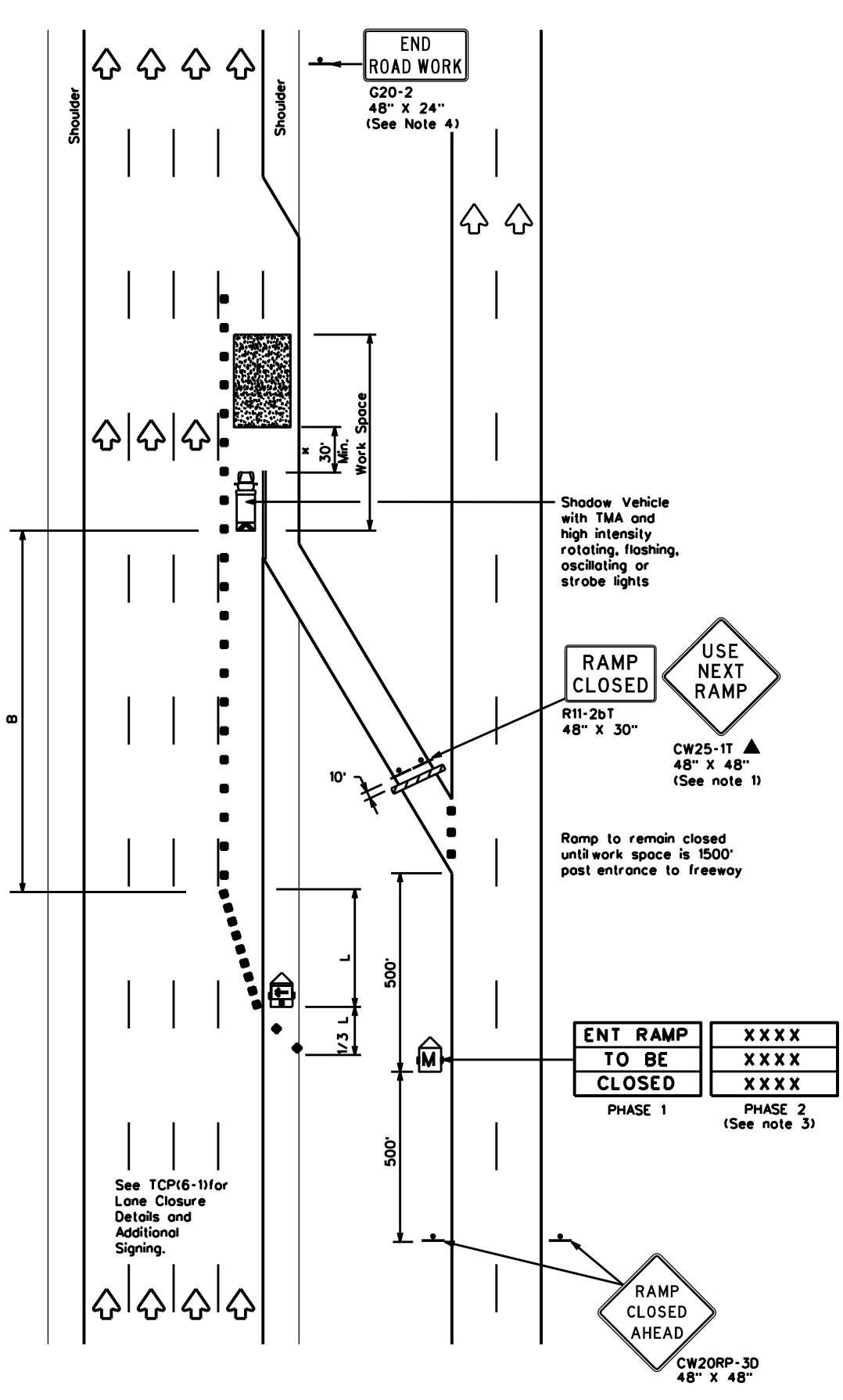
FILE: tcp6-1.dgn	DN: TxDOT	CK: TxDOT	DW: TxDOT	CK: TxDOT
©TxDOT February 1998	CONT	SECT	JOB	HIGHWAY
8-12	REVISIONS	6460 99	001	1H20, etc.
	DIST	COUNTY	SHEET NO.	
	Ab1	Taylor, ETC.	28	

DISCLAIMER: The use of this standard is governed by the "Texas Engineering Practice Act". No warranty of any kind is made by TxDOT for any purpose whatsoever. TxDOT assumes no responsibility for the conversion of this standard to other formats or for incorrect results or damages resulting from its use.

DATE: FILE:



TCP (6-2a)
ENTRANCE RAMP OPEN
WORK WITHIN 500' OF RAMP



TCP (6-2b)
ENTRANCE RAMP CLOSED

LEGEND			
	Type 3 Barricade		Channelizing Devices
	Heavy Work Vehicle		Truck Mounted Attenuator (TMA)
	Trailer Mounted Flashing Arrow Board		Portable Changeable Message Sign (PCMS)
	Sign		Traffic Flow
	Flag		Flagger

Posted Speed	Formula	Minimum Desirable Taper Lengths "L"			Suggested Maximum Spacing of Channelizing Devices		Suggested Longitudinal Buffer Space "B"
		10' Offset	11' Offset	12' Offset	On a Taper	On a Tangent	
45	L = WS	450'	495'	540'	45'	90'	195'
50		500'	550'	600'	50'	100'	240'
55		550'	605'	660'	55'	110'	295'
60		600'	660'	720'	60'	120'	350'
65		650'	715'	780'	65'	130'	410'
70		700'	770'	840'	70'	140'	475'
75		750'	825'	900'	75'	150'	540'
80		800'	880'	960'	80'	160'	615'

xx Taper lengths have been rounded off.
L=Length of Taper(FT) W=Width of Offset(FT) S=Posted Speed(MPH)

TYPICAL USAGE				
MOBILE	SHORT DURATION	SHORT TERM STATIONARY	INTERMEDIATE TERM STATIONARY	LONG TERM STATIONARY
	✓	✓	✓	

GENERAL NOTES

- All traffic control devices illustrated are REQUIRED. Devices denoted with the triangle symbol may be omitted when stated elsewhere in the plans.
- ADDED LANE Symbol (CW4-3) sign may be omitted when sign between ramp and mainline can be seen from both roadways.
- See "Advance Notice List" on BC(6) for recommended date and time formatting options for PCMS Phase 2 message.
- The END ROAD WORK (G20-2) sign may be omitted when it conflicts with G20-2 signs already in place on the project.

x A shadow vehicle equipped with a Truck Mounted Attenuator is typically required. A shadow vehicle equipped with a TMA shall be used if it can be positioned 30' to 100' in advance of the area of crew exposure without adversely affecting the work performance.

Additional requirements for lane closures and advance signing shall be as shown on TCP (6-1) or as directed by the Engineer.

Texas Department of Transportation
Traffic Operations Division Standard

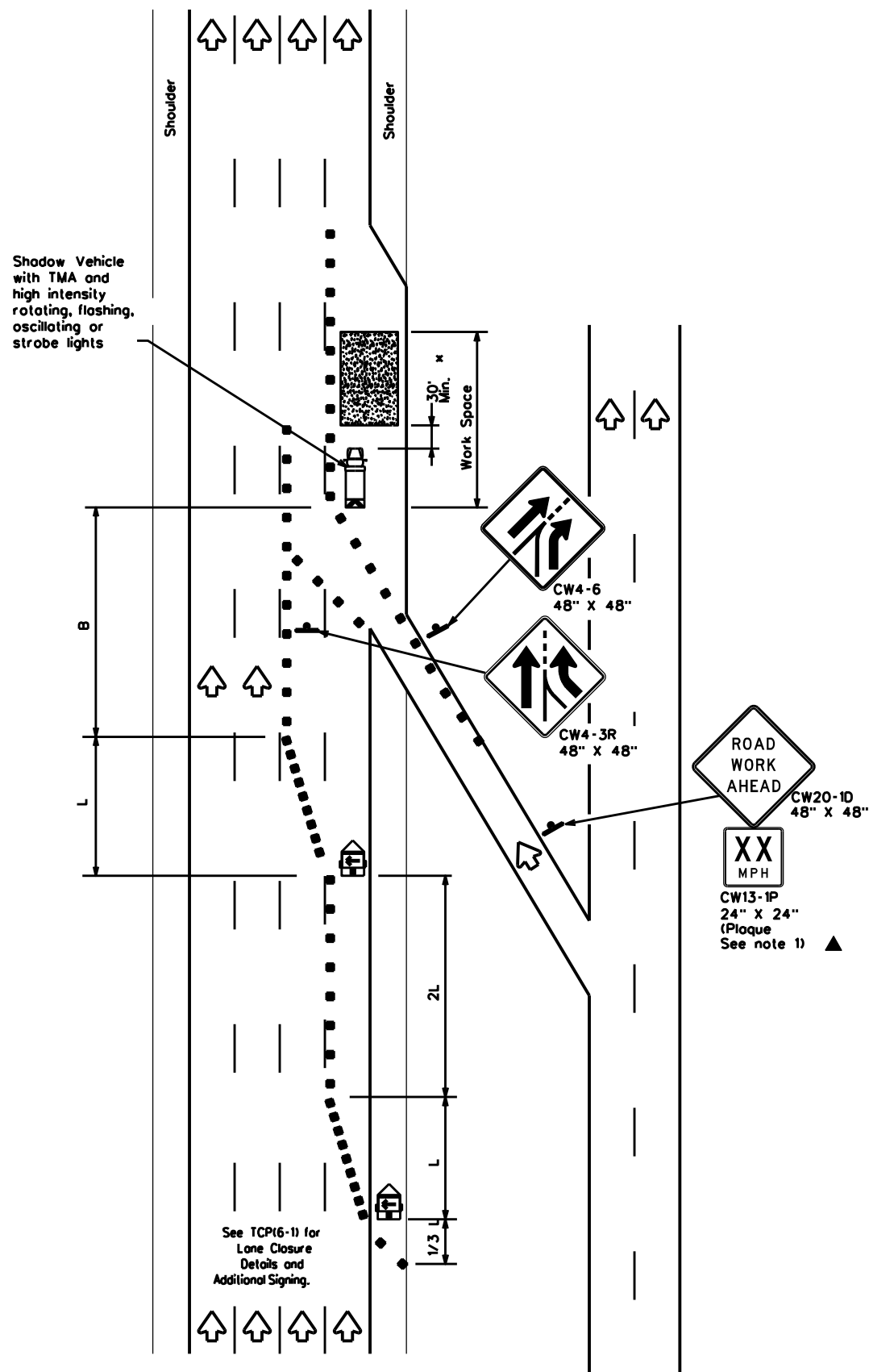
TRAFFIC CONTROL PLAN
WORK AREA NEAR RAMP

TCP(6-2)-12

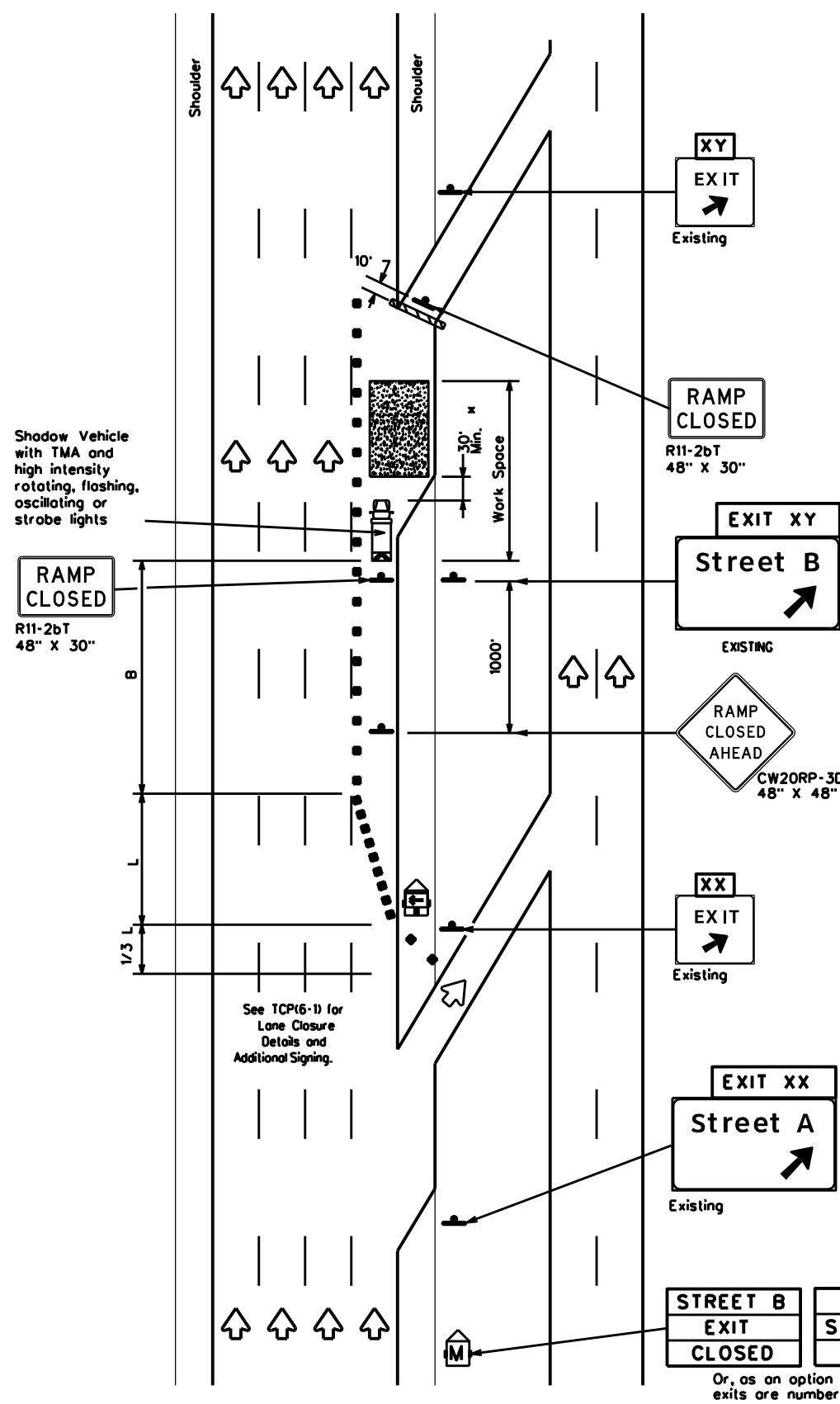
FILE: tcp6-2.dgn	DN: TxDOT	CK: TxDOT	DW: TxDOT	CK: TxDOT
©TxDOT February 1994	CONT	SECT	JOB	HIGHWAY
REVISIONS	6460	99	001	IH20, etc.
1-97 8-98	DIST	COUNTY	SHEET NO.	
4-98 8-12	Ab1	Taylor, ETC.	29	

DISCLAIMER: The use of this standard is governed by the "Texas Engineering Practice Act". No warranty of any kind is made by TxDOT for any purpose whatsoever. TxDOT assumes no responsibility for the conversion of this standard to other formats or for incorrect results or damages resulting from its use.

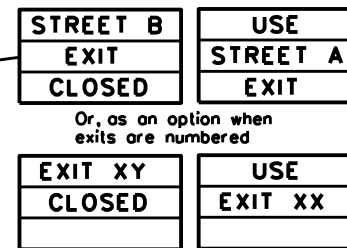
DATE: FILE:



TCP (6-3a)
ENTRANCE RAMP OPEN



TCP (6-3b)
EXIT RAMP CLOSED
TRAFFIC EXITS PRIOR TO CLOSED RAMP



Place 1 mile (approx.) in advance of Street A exit.

LEGEND			
	Type 3 Barricade		Channelizing Devices
	Heavy Work Vehicle		Truck Mounted Attenuator (TMA)
	Trailer Mounted Flashing Arrow Board		Portable Changeable Message Sign (PCMS)
	Sign		Traffic Flow
	Flag		Flagger

Posted Speed	Formula	Minimum Desirable Taper Lengths "L"			Suggested Maximum Spacing of Channelizing Devices		Suggested Longitudinal Buffer Space "B"
		10' Offset	11' Offset	12' Offset	On a Taper	On a Tangent	
45	L = WS	450'	495'	540'	45'	90'	195'
50		500'	550'	600'	50'	100'	240'
55		550'	605'	660'	55'	110'	295'
60		600'	660'	720'	60'	120'	350'
65		650'	715'	780'	65'	130'	410'
70		700'	770'	840'	70'	140'	475'
75		750'	825'	900'	75'	150'	540'
80		800'	880'	960'	80'	160'	615'

** Taper lengths have been rounded off.
L=Length of Taper(FT) W=Width of Offset(FT) S=Posted Speed(MPH)

TYPICAL USAGE				
MOBILE	SHORT DURATION	SHORT TERM STATIONARY	INTERMEDIATE TERM STATIONARY	LONG TERM STATIONARY
	✓	✓	✓	

GENERAL NOTES:

1. All traffic control devices illustrated are REQUIRED. Devices denoted with the triangle symbol may be omitted when stated elsewhere in the plans.

* A shadow vehicle equipped with a Truck Mounted Attenuator is typically required. A shadow vehicle equipped with a TMA shall be used if it can be positioned 30' to 100' in advance of the area of crew exposure without adversely affecting the work performance.

Additional requirements for lane closures and advance signing shall be as shown on TCP (6-1) or as directed by the Engineer.

Texas Department of Transportation
Traffic Operations Division Standard

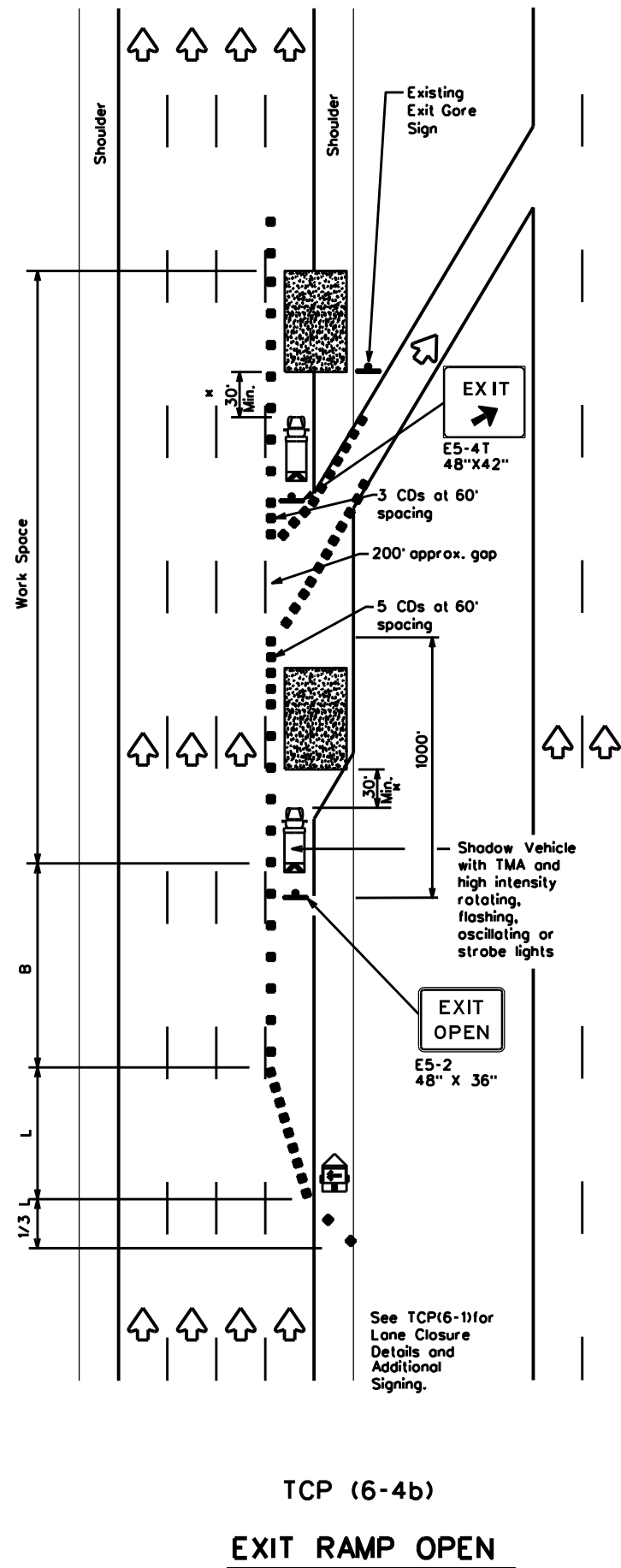
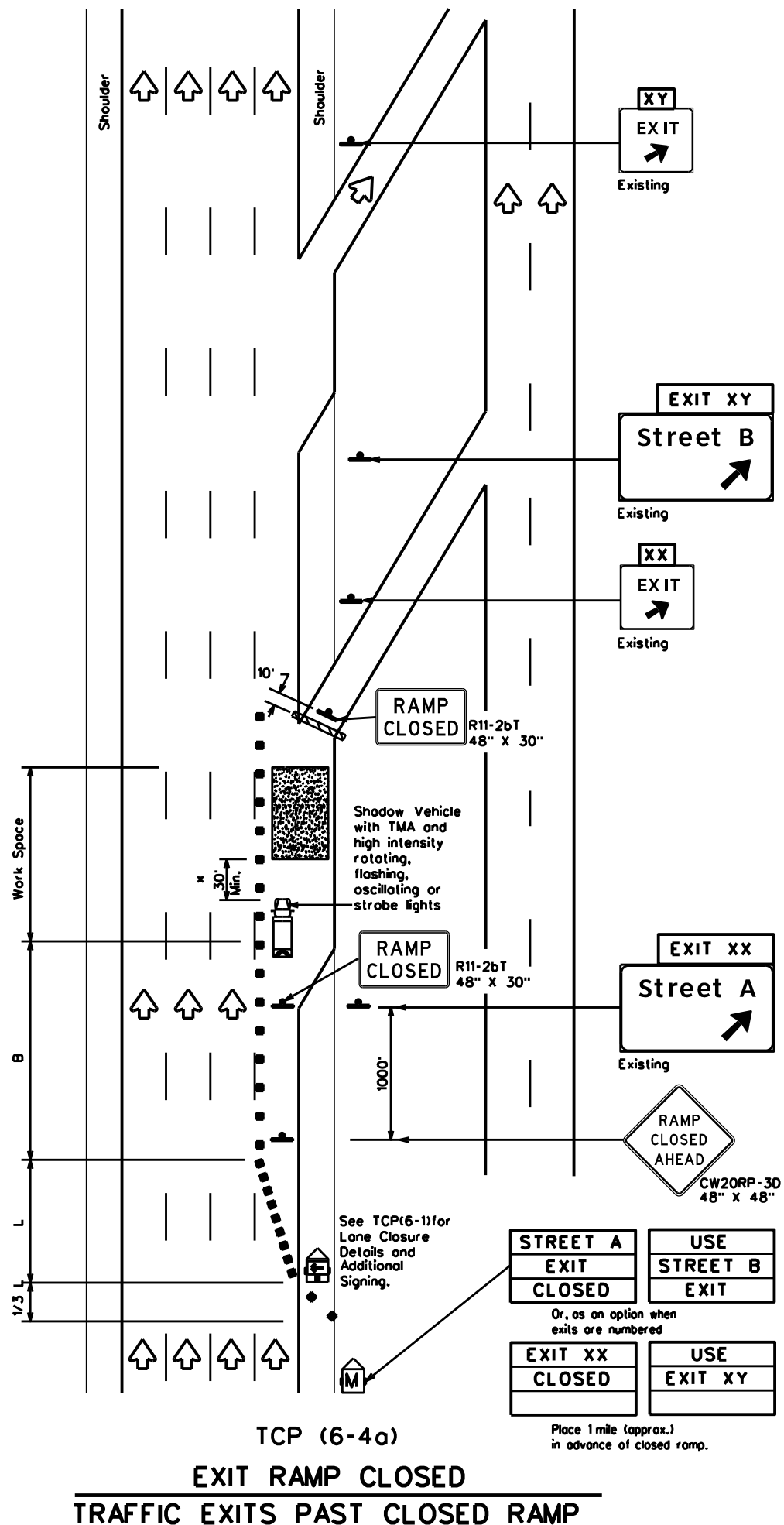
TRAFFIC CONTROL PLAN
WORK AREA BEYOND RAMP

TCP(6-3)-12

FILE: tcp6-3.dgn	DN: TxDOT	CK: TxDOT	DW: TxDOT	CK: TxDOT
©TxDOT February 1994	CONT	SECT	JOB	HIGHWAY
REVISIONS	6460	99	001	IH20,etc.
1-97 8-98	DIST	COUNTY	SHEET NO.	
4-98 8-12	Ab1	Taylor, ETC.	30	

DISCLAIMER: The use of this standard is governed by the "Texas Engineering Practice Act". No warranty of any kind is made by TxDOT for any purpose whatsoever. TxDOT assumes no responsibility for the conversion of this standard to other formats or for incorrect results or damages resulting from its use.

DATE: FILE:



LEGEND			
	Type 3 Barricade		Channelizing Devices (CDs)
	Heavy Work Vehicle		Truck Mounted Attenuator (TMA)
	Trailer Mounted Flashing Arrow Board		Portable Changeable Message Sign (PCMS)
	Sign		Traffic Flow
	Flag		Flagger

Posted Speed	Formula	Minimum Desirable Taper Lengths "L"			Suggested Maximum Spacing of Channelizing Devices		Suggested Longitudinal Buffer Space "B"
		10' Offset	11' Offset	12' Offset	On a Taper	On a Tangent	
45	L = WS	450'	495'	540'	45'	90'	195'
50		500'	550'	600'	50'	100'	240'
55		550'	605'	660'	55'	110'	295'
60		600'	660'	720'	60'	120'	350'
65		650'	715'	780'	65'	130'	410'
70		700'	770'	840'	70'	140'	475'
75		750'	825'	900'	75'	150'	540'
80		800'	880'	960'	80'	160'	615'

x x Taper lengths have been rounded off.
 L=Length of Taper(FT) W=Width of Offset(FT) S=Posted Speed(MPH)

TYPICAL USAGE				
MOBILE	SHORT DURATION	SHORT TERM STATIONARY	INTERMEDIATE TERM STATIONARY	LONG TERM STATIONARY
	✓	✓	✓	

GENERAL NOTES

- All traffic control devices illustrated are REQUIRED. Devices denoted with the triangle symbol may be omitted when stated elsewhere in the plans.
- See BC Standards for sign details.

x A shadow vehicle equipped with a Truck Mounted Attenuator is typically required. A shadow vehicle equipped with a TMA shall be used if it can be positioned 30' to 100' in advance of the area of crew exposure without adversely affecting the work performance.

Additional requirements for lane closures and advance signing shall be as shown on TCP (6-1) or as directed by the Engineer.

Texas Department of Transportation
 Traffic Operations Division Standard

TRAFFIC CONTROL PLAN
WORK AREA AT EXIT RAMP

TCP(6-4)-12

FILE: tcp6-4.dgn	DN: TxDOT	CK: TxDOT	DW: TxDOT	CK: TxDOT
©TxDOT February 1994	CONT	SECT	JOB	HIGHWAY
REVISIONS	6460 99	001	IH20, etc.	
1-97 8-98	DIST	COUNTY	SHEET NO.	
4-98 8-12	Ab1	Taylor, ETC.	31	

DISCLAIMER: The use of this standard is governed by the "Texas Engineering Practice Act". No warranty of any kind is made by TxDOT for any purpose whatsoever. TxDOT assumes no responsibility for the conversion of this standard to other formats or for incorrect results or damages resulting from its use.

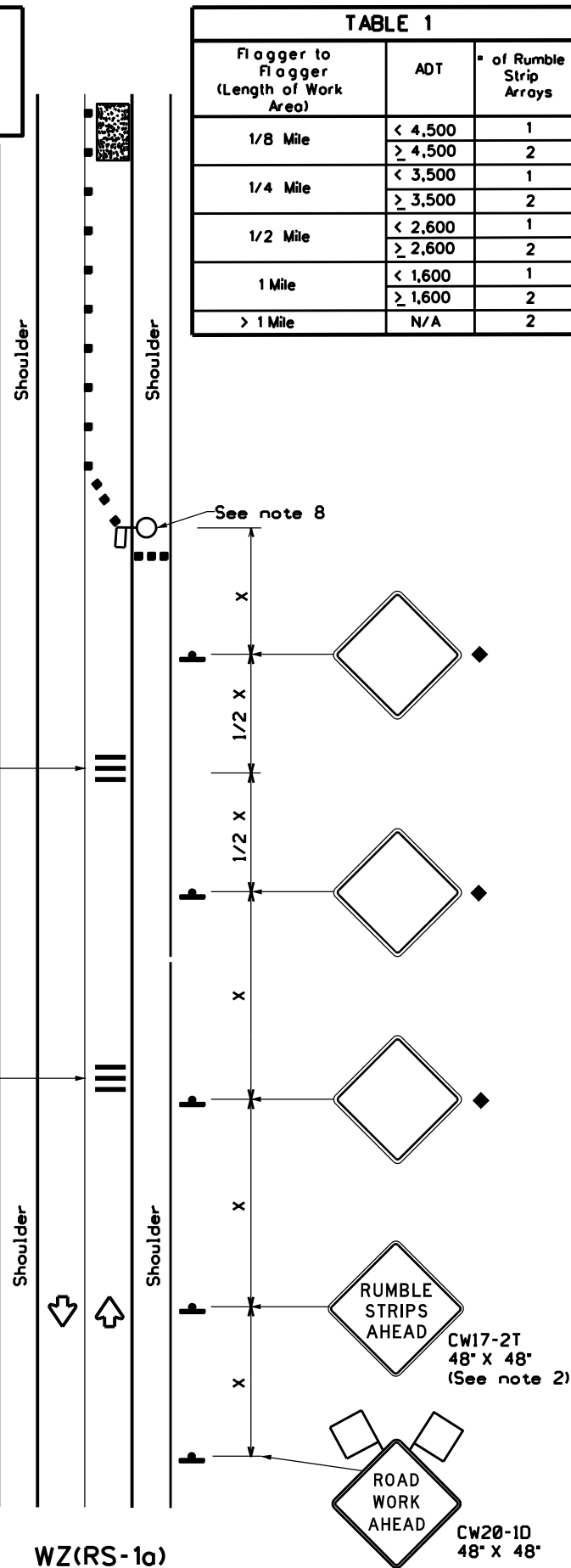
Warning sign and rumble strip sequence in opposite direction is same as below.

Flagger to Flagger (Length of Work Area)	ADT	# of Rumble Strip Arrays
1/8 Mile	< 4,500	1
	≥ 4,500	2
1/4 Mile	< 3,500	1
	≥ 3,500	2
1/2 Mile	< 2,600	1
	≥ 2,600	2
1 Mile	< 1,600	1
	≥ 1,600	2
> 1 Mile	N/A	2

Rumble Strip Array (See note 1)

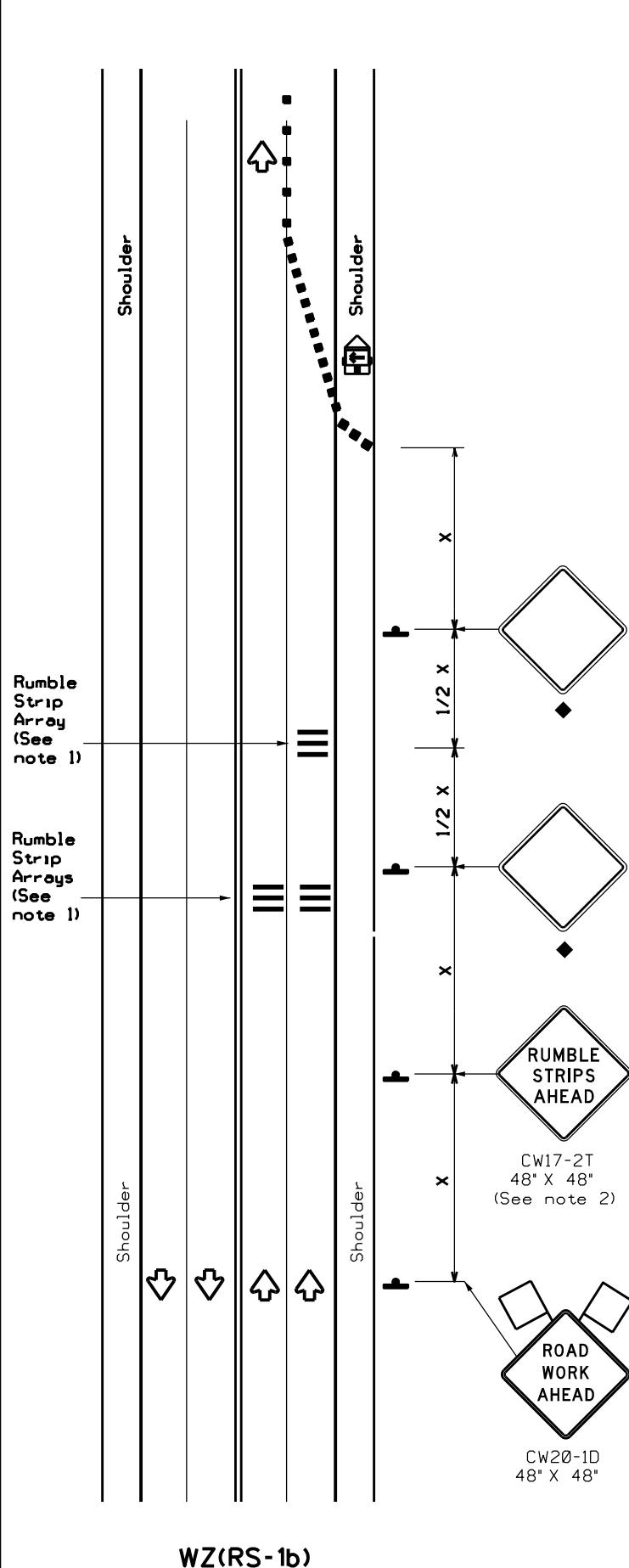
Rumble Strip Array (See note 1)

The second Rumble Strip Array is required when the ADT thresholds in Table 1 indicate the need for 2 Arrays.



WZ(RS-1a)

RUMBLE STRIPS ON ONE-LANE TWO-WAY APPLICATION



WZ(RS-1b)

RUMBLE STRIPS FOR LANE CLOSURE ON CONVENTIONAL ROADWAY

GENERAL NOTES

- Each Rumble Strip Array should consist of three rumble strips spaced center to center at the spacing shown in Table 2, placed transverse across the lane at locations shown.
- The CW17-2T "RUMBLE STRIPS AHEAD" sign should be located after the CW20-1D "ROAD WORK AHEAD" sign and spaced as shown. If traffic is observed to be queuing, or is expected to queue beyond the Rumble Strips, the CW17-2T sign and the first Rumble Strip Array may be located upstream of the CW20-1D sign as necessary to provide needed warning.
- Temporary Rumble Strips will be considered subsidiary to Item 502, and shall be a product listed on the Compliant Work Zone Traffic Control Devices.
- Remove Temporary Rumble Strips before removing the advanced warning signs.
- Temporary Rumble Strips should not be used on horizontal curves, loose gravel, soft or bleeding asphalt, heavily rutted pavements or unpaved surfaces.
- Temporary Rumble Strips shall be installed and maintained as per manufacturer's recommendations.
- This standard sheet shall be used in conjunction with other appropriate TCP standard, TMUTCD typical application or project specific detail for the project.
- The one-lane two-way application may utilize a flagger, an Automated Flagger Assistance Device (AFAD) or a Portable Traffic Signal (PTS).
- Replace defective Temporary Rumble Strips as directed by the Engineer.
- Temporary Rumble Strips may be used on freeways or expressways based on engineering judgment and written direction from the Engineer.

Speed	Approximate distance between strips in an array
≤ 40 MPH	10'
> 40 MPH & ≤ 55 MPH	15'
= 60 MPH	20'
≥ 65 MPH	• 35'+

	Type 3 Barricade		Channelizing Devices
	Heavy Work Vehicle		Truck Mounted Attenuator (TMA)
	Trailer Mounted Flashing Arrow Panel		Portable Changeable Message Sign (PCMS)
	Sign		Traffic Flow
	Flag		Flagger

Posted Speed *	Formula	Minimum Desirable Taper Lengths **			Suggested Maximum Spacing of Channelizing Devices		Minimum Sign Spacing "X" Distance	Suggested Longitudinal Buffer Space "B"
		10' Offset	11' Offset	12' Offset	On a Taper	On a Tangent		
30	L = WS ² /60	150'	165'	180'	30'	60'	120'	90'
35		205'	225'	245'	35'	70'	160'	120'
40	L = WS	265'	295'	320'	40'	80'	240'	155'
45		450'	495'	540'	45'	90'	320'	195'
50	L = WS	500'	550'	600'	50'	100'	400'	240'
55		550'	605'	660'	55'	110'	500'	295'
60	L = WS	600'	660'	720'	60'	120'	600'	350'
65		650'	715'	780'	65'	130'	700'	410'
70	L = WS	700'	770'	840'	70'	140'	800'	475'
75		750'	825'	900'	75'	150'	900'	540'

* Conventional Roads Only
 ** Taper lengths have been rounded off.
 L=Length of Taper(FT) W=Width of Offset(FT)
 S=Posted Speed(MPH)

MOBILE	SHORT DURATION	SHORT TERM STATIONARY	INTERMEDIATE TERM STATIONARY	LONG TERM STATIONARY
	✓	✓		

◆ Signs are for illustrative purposes only. Signs required may vary depending on the TCP, TMUTCD Typical Application, or project specific details for the project.

• For posted speeds in excess of 65 MPH, it is recommended that spacing is increased as speed limits increase. Increasing space between rumble strips will improve effectiveness.

Texas Department of Transportation Traffic Safety Division Standard

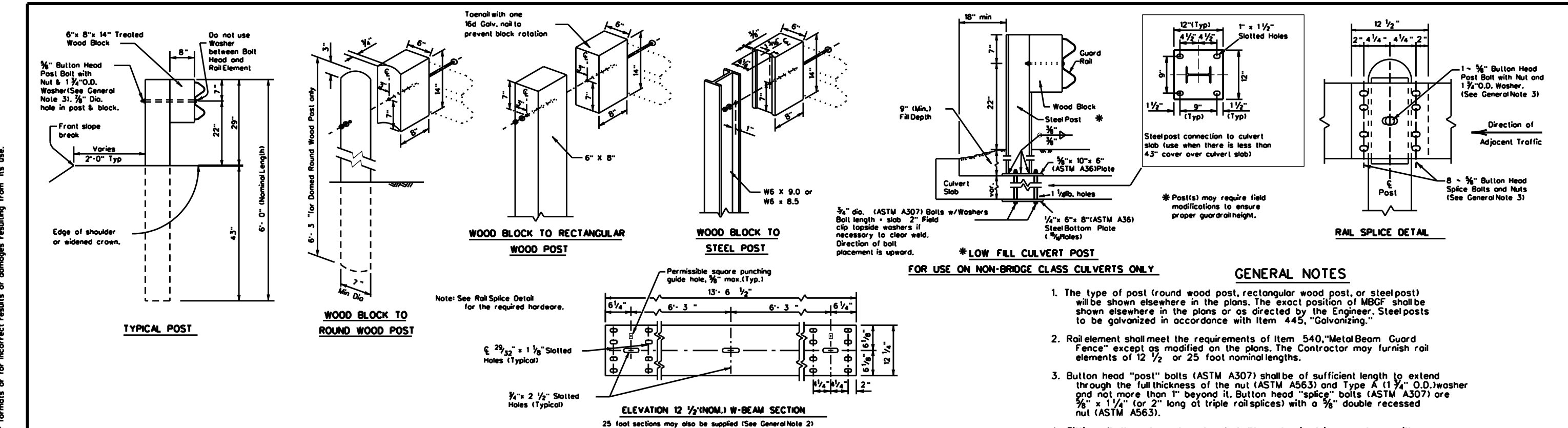
TEMPORARY RUMBLE STRIPS

WZ(RS)-22

FILE: wzrs22.dgn	DN: TxDOT	CK: TxDOT	DW: TxDOT	CK: TxDOT
© TxDOT November 2012	CONT: 6460	SECT: 99	JOB: 001	HIGHWAY: IH20, etc.
REVISIONS: 2-14 1-22 4-16	DIST: Abil	COUNTY: Taylor, ETC.	SHEET NO. 32	

DATE: FILE:

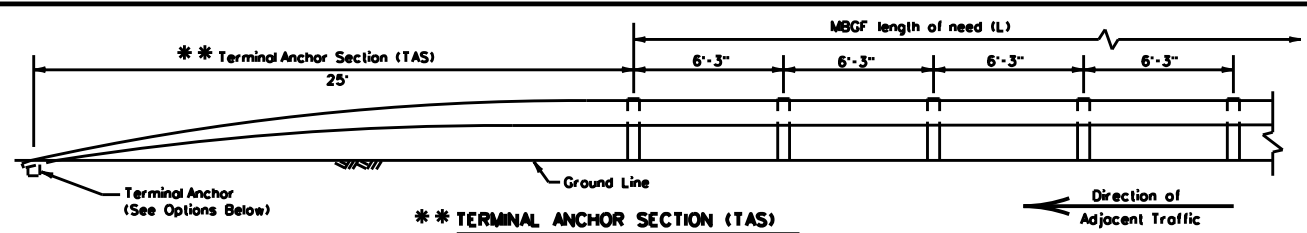
DISCLAIMER: The use of this standard is governed by the "Texas Engineering Practice Act". No warranty of any kind is made by TxDOT for any purpose whatsoever. TxDOT assumes no responsibility for the conversion of this standard to other formats or for incorrect results or damages resulting from its use.



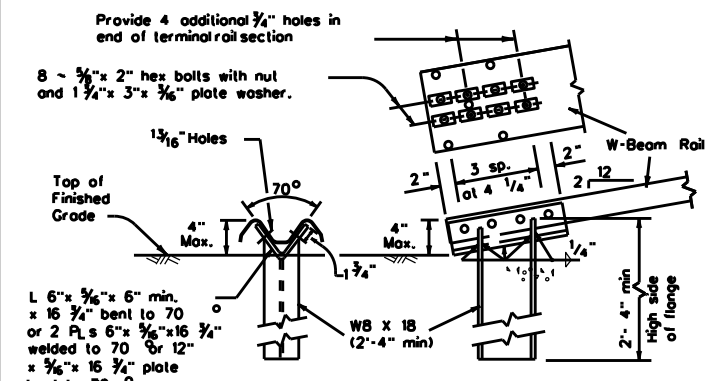
FOR USE ON NON-BRIDGE CLASS CULVERTS ONLY

GENERAL NOTES

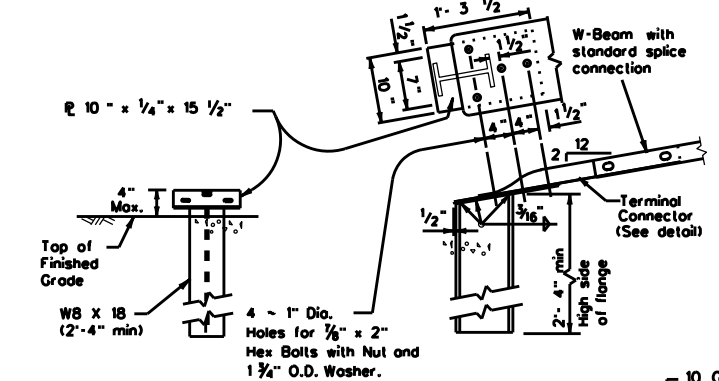
- The type of post (round wood post, rectangular wood post, or steel post) will be shown elsewhere in the plans. The exact position of MBSG shall be shown elsewhere in the plans or as directed by the Engineer. Steel posts to be galvanized in accordance with Item 445, "Galvanizing."
- Rail element shall meet the requirements of Item 540, "Metal Beam Guard Fence" except as modified on the plans. The Contractor may furnish rail elements of 12 1/2 or 25 foot nominal lengths.
- Button head "post" bolts (ASTM A307) shall be of sufficient length to extend through the full thickness of the slab (ASTM A563) and Type A (1 1/4" O.D.) washer and not more than 1" beyond it. Button head "splice" bolts (ASTM A307) are 5/8" x 1 1/4" (or 2" long at triple rail splices) with a 5/8" double recessed nut (ASTM A563).
- Fittings (bolts, nuts, and washers) shall be galvanized in accordance with Item 445, "Galvanizing." Fittings shall be subsidiary to the bid item.
- Crown shall be widened to accommodate the Metal Beam Guard Fence.
- The lateral approach to the guard fence, shall have a slope rate of not more than 1V:10H.
- Unless otherwise shown in the plans, guard fence placed in the vicinity of curbs shall be positioned so that the face of curb is located directly below or behind the face of the block. Rail placed over curbs shall be installed so that the post bolt is located approximately 21 inches above the gutter pan or roadway surface.
- If solid rock is encountered within 0 to 18" of the finished grade, drill a 22" dia. hole, 24" into the rock, or drill two 12" dia. front to back overlapping holes, 24" into the rock. If solid rock is encountered below 18", drill a 12" dia. hole, 12" into the rock or to the standard embedment depth, whichever is less. Any excess post length, after meeting these depths, may be field cut to ensure proper guardrail mounting height. Backfill with a cohesionless material.
- Posts shall not be set in concrete, of any depth.
- Special fabrication will be required at installations having a curvature of less than 150 ft. radius.
- The terminal anchor section (TAS) post shall be set in Class A concrete (unless otherwise shown in the plans) in accordance with Item 421, "Hydraulic Cement Concrete." Concrete shall be subsidiary to the bid item requiring construction of the terminal anchor section (TAS). Terminal anchor post to be galvanized in accordance with Item 445, "Galvanizing."
- Unless otherwise shown in the plans, a composite material post and/or block that meets the requirements of DMS-7210, "Composite Material Posts and Blocks for Metal Beam Guard Fence" may be substituted for posts and/or blocks of similar dimensions. The Construction Division, TxDOT maintains a Material Producer List (MPL) for producers of materials conforming to DMS-7210. Only producers on the MPL can furnish composite material posts and/or blocks.



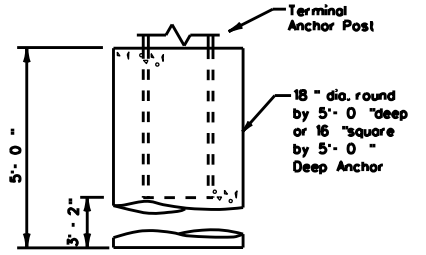
Terminal anchor sections are only for downstream use, when located outside the horizontal clearance area of opposing traffic.



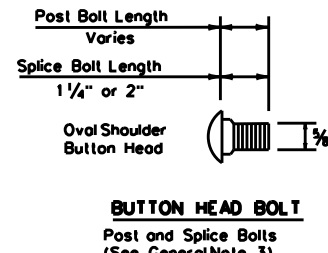
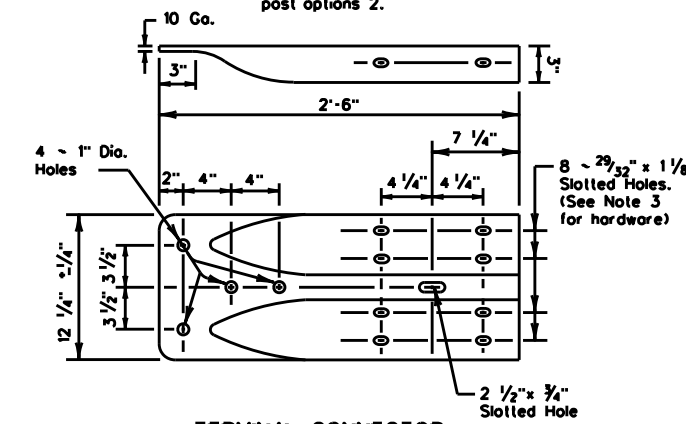
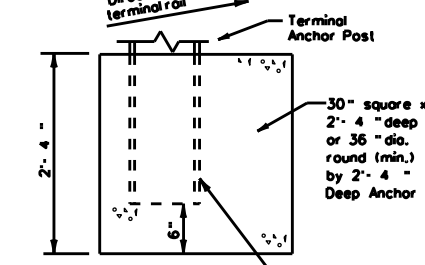
Note: This anchor post requires four additional 5/8" holes (shop or field) in the rail member with eight 5/8" hex bolts with nut and plate washer.



TERMINAL ANCHOR POST OPTIONS
 (See General Note 11)



Notes:
 Either concrete anchor may be used with either post option above.
 No construction joint is allowed in the concrete anchor.
 Terminal rail may be bolted to post and in twist position prior to placing concrete anchor.
 If concrete anchor is precast, the area should be compacted as directed by the Engineer, when placed in the field.



Note: Terminal Connector to be used with terminal anchor post options 2.

ONLY FOR USE IN MAINTENANCE REPAIRS OR HIGHLY CONSTRAINED SITE CONDITIONS.



METAL BEAM GUARD FENCE

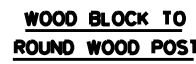
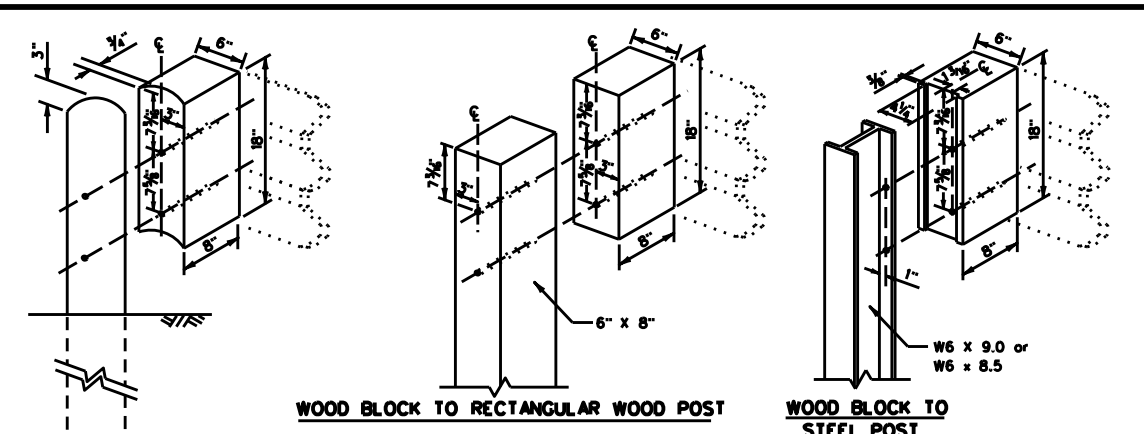
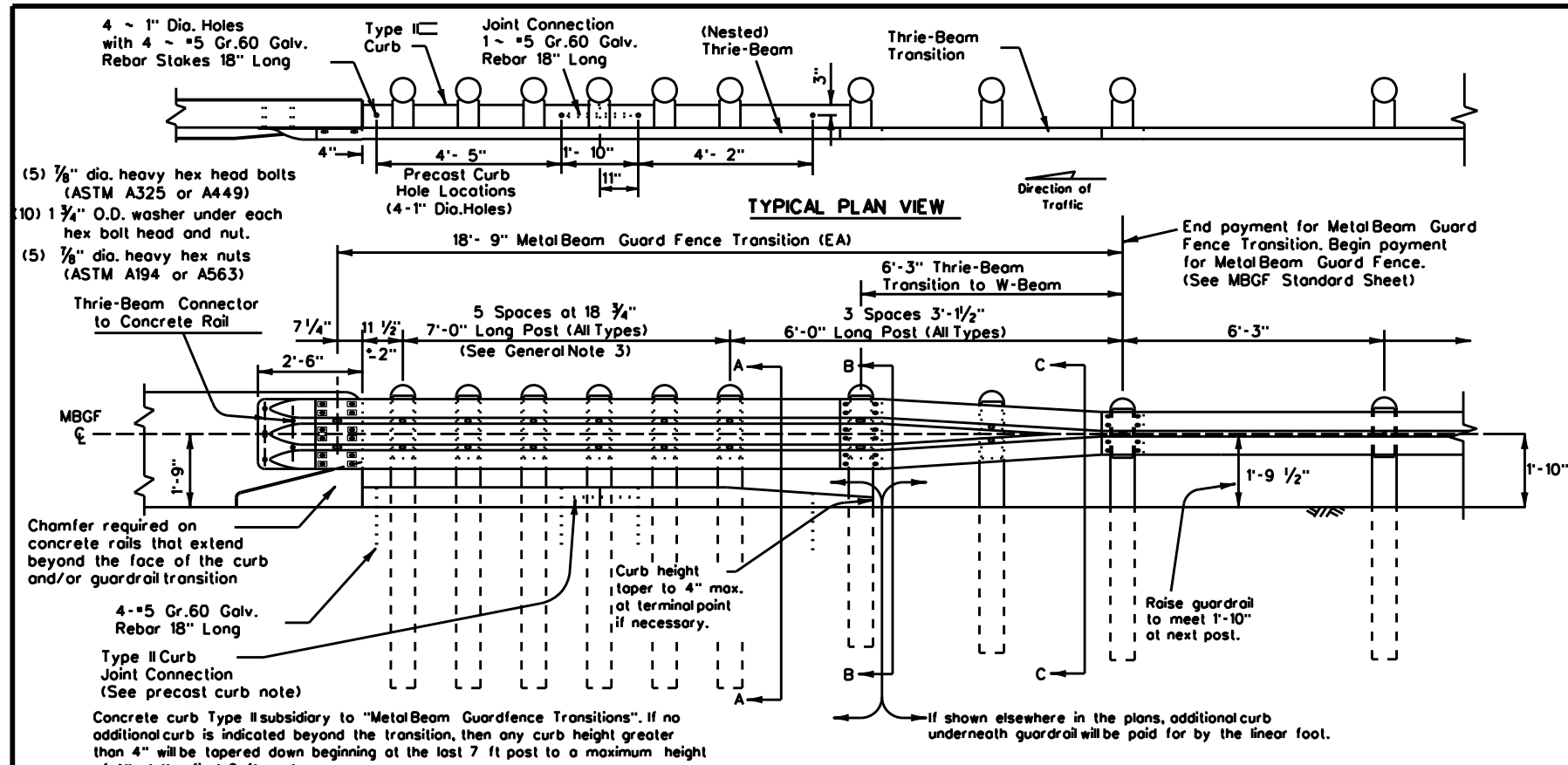
MBSG - 19

FILE: mbgf19.dgn	DN: TxDOT	CK: KM	DW: BD	CK: VP
© TxDOT NOVEMBER 2019	CONT	SECT	JOB	HIGHWAY
REVISIONS	6460	99	001	IH20, etc.
	DIST	COUNTY	SHEET NO.	
	Abil	Taylor, ETC.	33	

DATE: FILE:

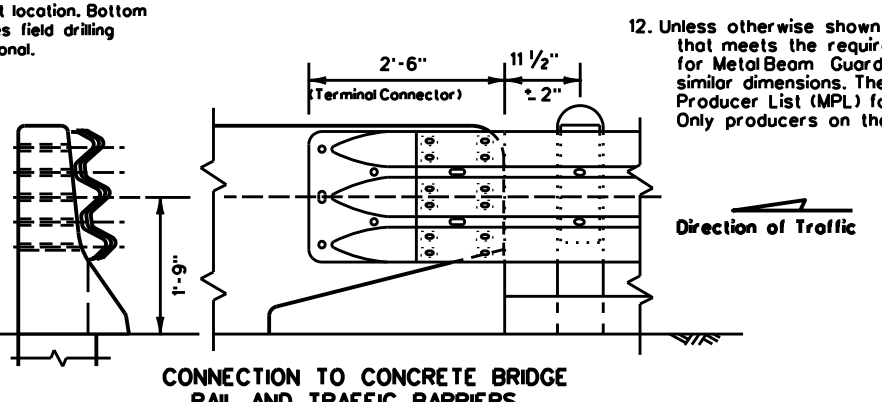
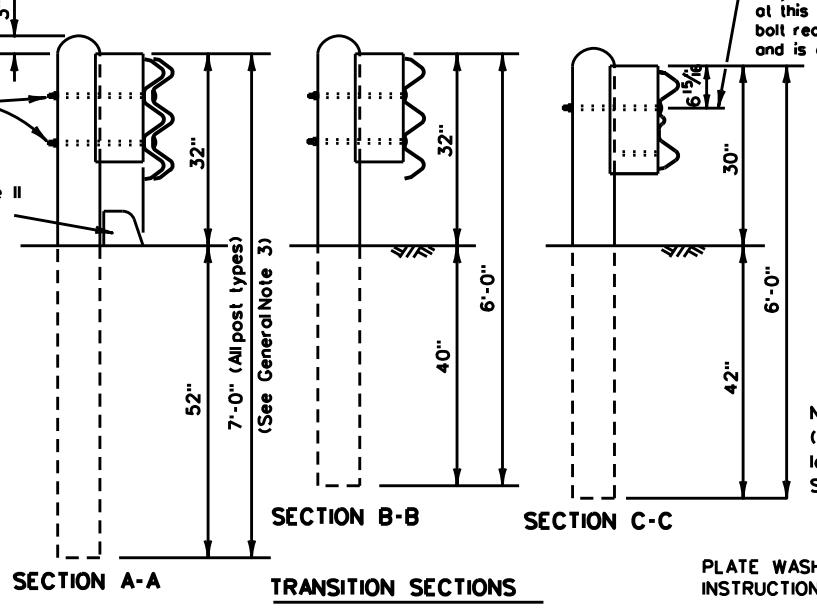
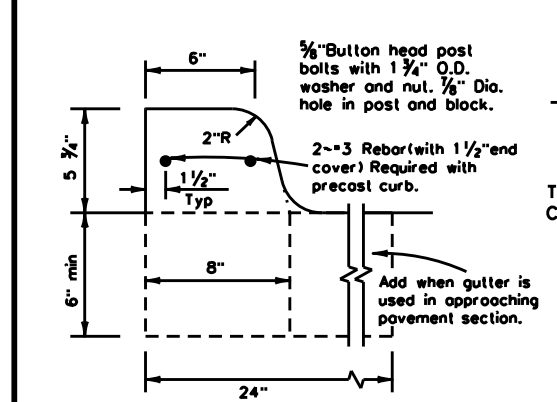
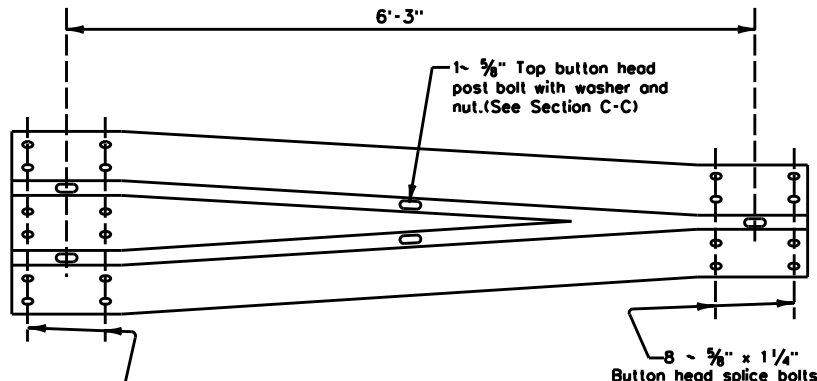
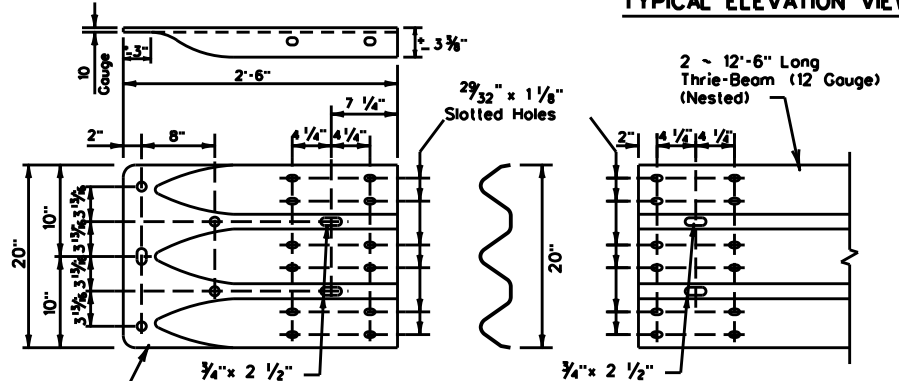
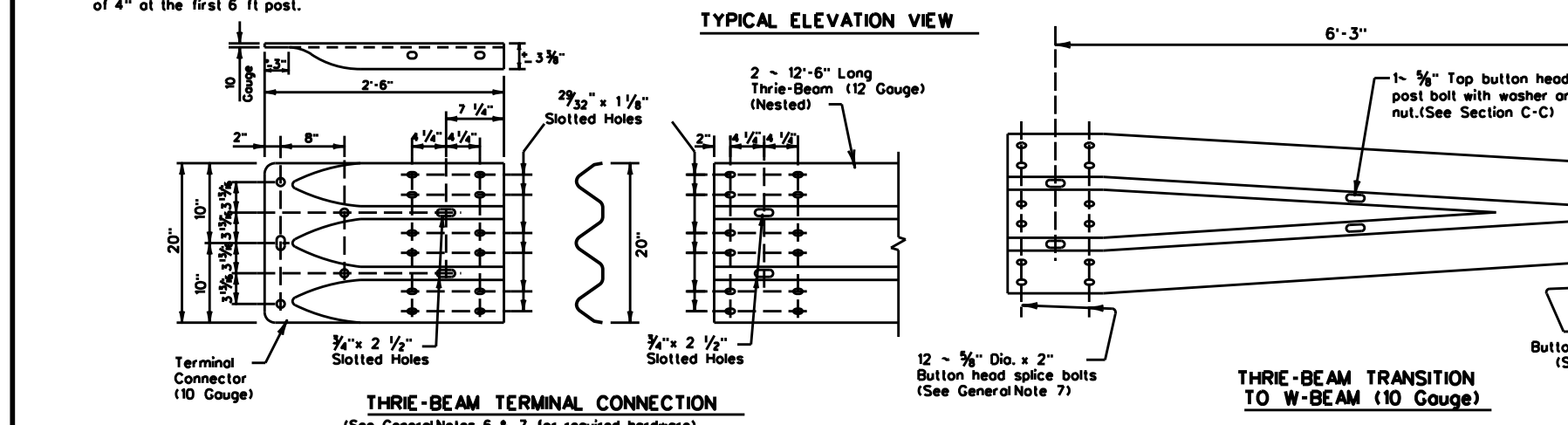
DISCLAIMER: THE USE OF THIS STANDARD IS COVERED BY THE "TEXAS ENGINEERING PRACTICE ACT". NO WARRANTY OF ANY KIND IS MADE BY TxDOT FOR ANY PURPOSE WHATSOEVER. TxDOT ASSUMES NO RESPONSIBILITY FOR THE CONVERSION OF THIS STANDARD TO OTHER FORMATS OR FOR INCORRECT RESULTS OR DAMAGES RESULTING FROM ITS USE.

DATE: FILE:



GENERAL NOTES

- Concrete curb may be cast-in-place or precast as shown on this sheet. When used in conjunction with thrie-beam guard fence transitions, curb shall be Type II (Typically 5 3/4" height above surface. See CCCG standard sheet) unless otherwise shown in the plans. If other curb heights are shown in the plans in conjunction with the transition, the curb height may be from 4" to 8" with a relatively vertical face. Concrete curb shall be continuous to the seventh post.
- Contact the Design Division for drainage cut options needed within the curb section of the transition.
- The type of post (round wood, rectangular wood or steel) will be shown elsewhere in the plans.
- The post length shall be marked on all 7'-0" long posts by the Manufacturer. The mark shall be located within the top 1 ft. region of the post, at least 3/8" in height, and visible after installation. Wooden posts shall be marked with a brand, and steel posts with a stencil before galvanizing.
- Rail element shall meet the requirements of Item 540, "Metal Beam Guard Fence" except as modified on the plans. The thrie-beam terminal connector and the thrie-beam transition to w-beam shall be of the same material, but shall not be less than 10 gauge.
- Contractor shall verify that the locations of bolt holes match those in the thrie-beam terminal connector prior to ordering materials.
- Unless otherwise shown in the plans, transitions shall be placed with the block face in front of or directly above the curb face.
- Install terminal connector with (12) rectangular guardrail plate washers: (FWRO3) and (12) 3/8" x 2" button head splice bolts with recessed nuts.
- Button head "post bolts & nuts" shall meet the requirements of (ASTM A307), and shall be of sufficient length to extend through the full thickness of the nut and 3/8" washer (FWC16a) and not more than 1" beyond it. Trim remaining bolt length to meet required length.
- Fittings (bolts, nuts, and washers) shall be galvanized in accordance with Item 445, "Galvanizing". Fittings shall be subsidiary to the bid item.
- Crown shall be widened to accommodate transitions.
- If solid rock is encountered. See the MBGF standard sheet for the proper installation guidance.
- Posts shall not be set in concrete.
- Unless otherwise shown in the plans, a composite material post and/or block that meets the requirements of DMS-7210, "Composite Material Posts and Blocks for Metal Beam Guard Fence" may be substituted for posts and/or blocks of similar dimensions. The Construction Division, TxDOT, maintains a Material Producer List (MPL) for producers of materials conforming to DMS-7210. Only producers on the MPL can furnish composite material posts and/or blocks.



NOTES:
 (5) 5/8" dia. heavy hex bolts, length will vary depending on width of concrete rail, leave 1" of bolt length past the 3/8" hex nut. Trim as required.
 See General Notes: 6 & 7 for additional connection details.

BRIDGE APPROACH - UPSTREAM: THE NESTED RAIL LAPS OVER THE TERMINAL CONNECTOR. PLATE WASHERS ARE INSTALLED UNDER THE SPLICE NUTS AGAINST INSIDE OF CONNECTOR.
 BRIDGE EXIT - DOWNSTREAM: THE TERMINAL CONNECTOR LAPS OVER THE NESTED RAIL. PLATE WASHERS ARE INSTALLED UNDER THE BOLT HEAD AGAINST OUTSIDE OF CONNECTOR.

ONLY FOR USE IN MAINTENANCE REPAIRS.

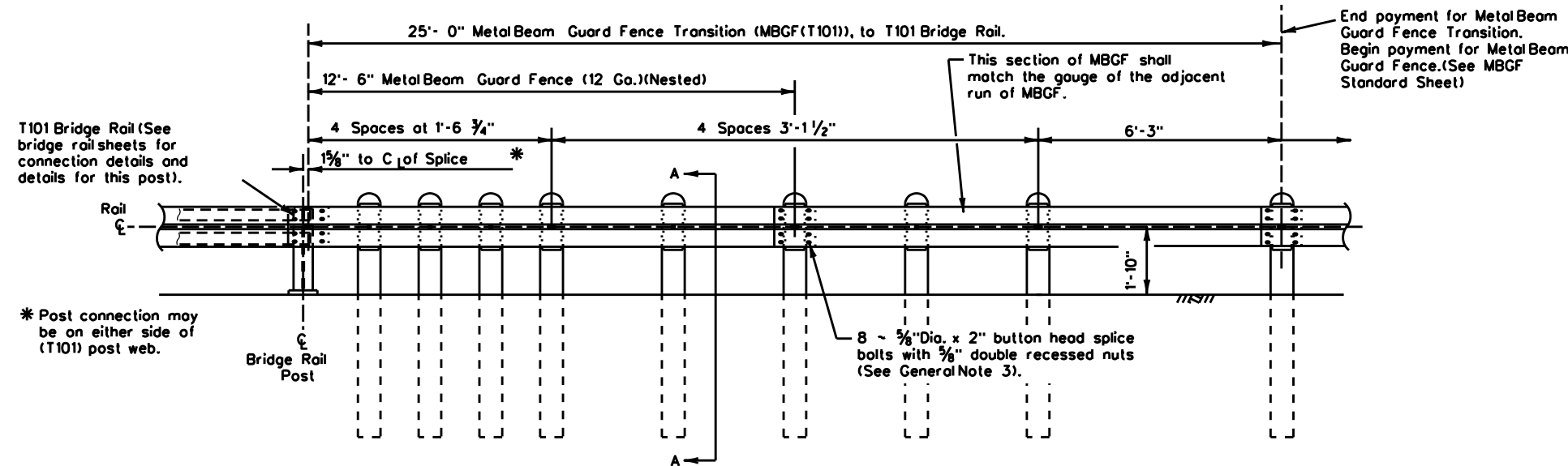
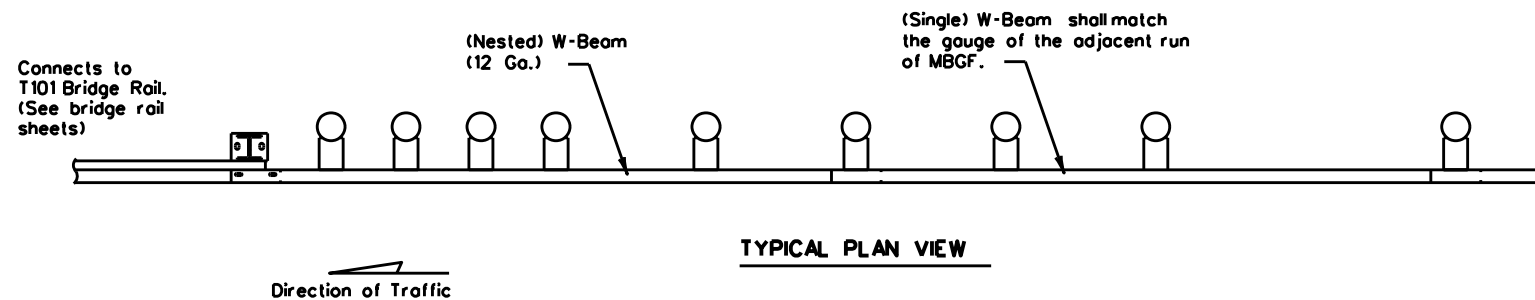
Texas Department of Transportation Design Division Standard

METAL BEAM GUARD FENCE TRANSITION (THRIE-BEAM TRANSITION) MBGF (TR)-19

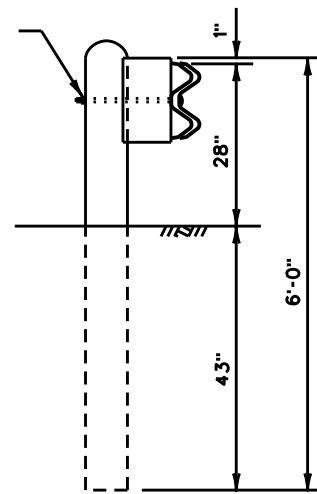
FILE: mbgtr19.dgn	DN: TxDOT	CK: KM	DW: BD	CK: VP
© TxDOT NOVEMBER 2019	CONT: 6460	SECT: 99	JOB: 001	HIGHWAY: IH 20, etc.
REVISIONS:	DIST:	COUNTY:	SHEET NO.	
	ABL	Taylor, ETC.	34	

DISCLAIMER: THE USE OF THIS STANDARD IS GOVERNED BY THE "TEXAS ENGINEERING PRACTICE ACT". NO WARRANTY OF ANY KIND IS MADE BY TxDOT FOR ANY PURPOSE WHATSOEVER. TxDOT ASSUMES NO RESPONSIBILITY FOR THE CONVERSION OF THIS STANDARD TO OTHER FORMATS OR FOR INCORRECT RESULTS OR DAMAGES RESULTING FROM ITS USE.

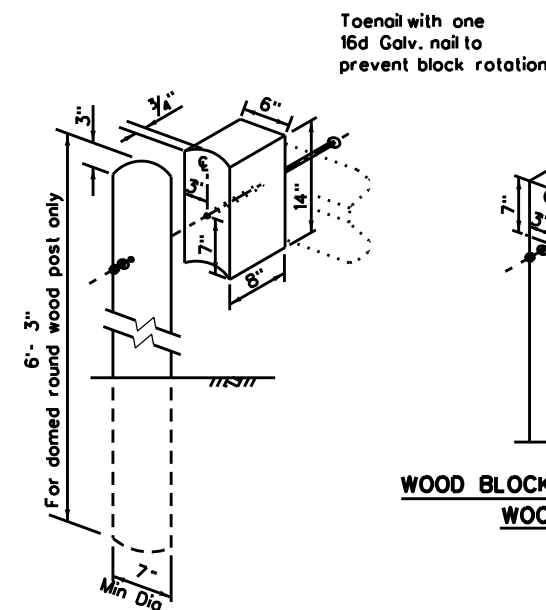
DATE: FILE:



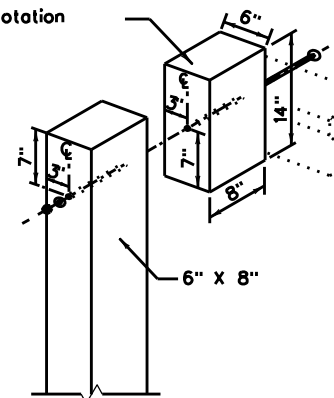
5/8" Button head post bolt with nut & washer (See General Note 3)



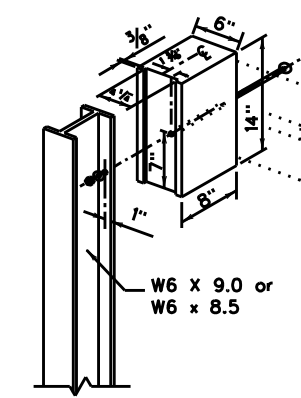
SECTION A-A



WOOD BLOCK TO ROUND WOOD POST



WOOD BLOCK TO RECTANGULAR WOOD POST



WOOD BLOCK TO STEEL POST

GENERAL NOTES

- The type of post (round wood post, rectangular wood post, or steel post) will be shown elsewhere in the plans. The exact position of transitions shall be shown elsewhere in the plans or as directed by the Engineer.
- Rail element shall meet the requirements of Item 540, "Metal Beam Guard Fence" except as modified on the plans.
- Button head "post" bolts (ASTM A307) shall be of sufficient length to extend through the full thickness of the nut (ASTM A563) and the Type A 1 3/4" O.D. washer and not more than 1" beyond it. Button head "splice" bolts (ASTM A307) are 5/8" x 2" (at triple rail splices) with a 5/8" double recessed nuts (ASTM A563).
- Fittings (bolts, nuts, and washers) shall be galvanized in accordance with Item 445, "Galvanizing." Fittings shall be subsidiary to the bid item requiring construction of the transition.
- Crown will be widened to accommodate transitions.
- If solid rock is encountered. See the MBGF standard sheet for proper installation guidance.
- Posts shall not be set in concrete.
- Unless otherwise shown in the plans, a composite material post and/or block that meets the requirements of DMS-7210, "Composite Material Posts and Blocks for Metal Beam Guard Fence" may be substituted for posts and/or blocks of similar dimensions. The Construction Division, TxDOT, maintains a Material Producer List (MPL) for producers of materials conforming to DMS-7210. Only producers on the MPL can furnish composite material posts and/or blocks.
- Refer to MBGF Standard Sheet for additional details.

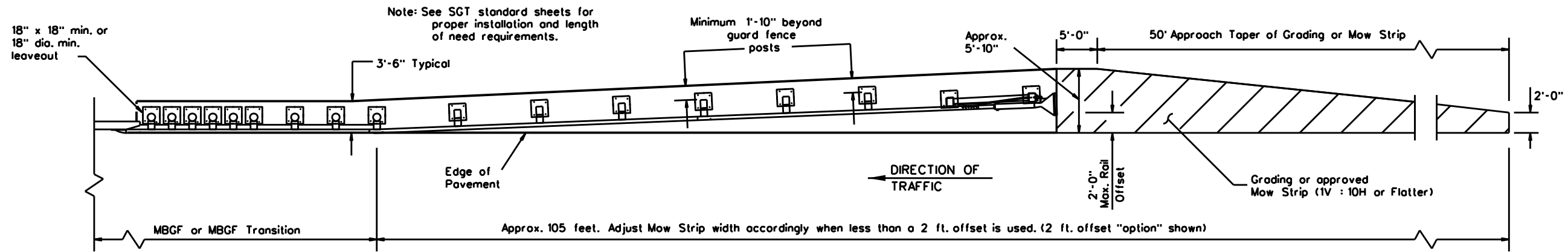
ONLY FOR USE IN MAINTENANCE REPAIRS.



**METAL BEAM GUARD FENCE
 TRANSITION (T101)
 (T101 BRIDGE RAIL)
 MBGF (T101)-19**

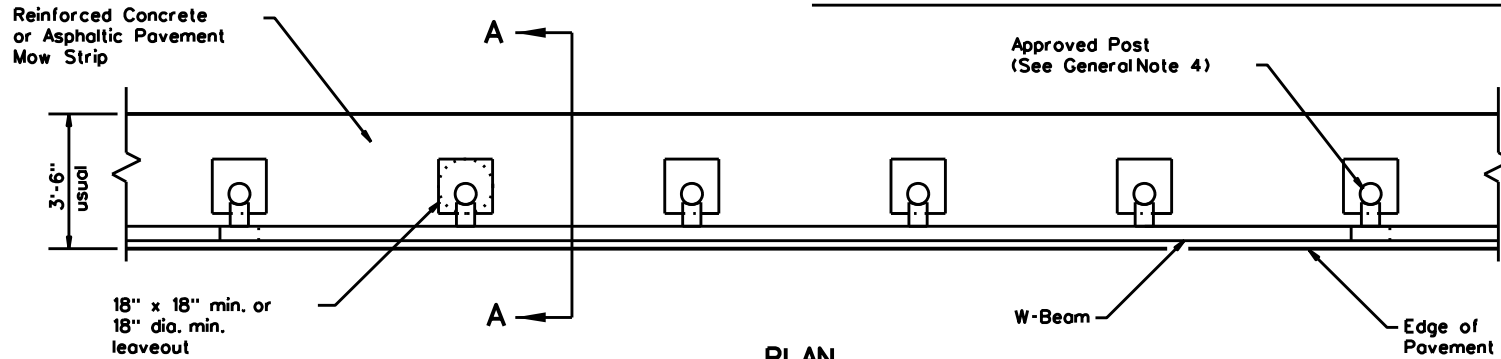
FILE: mbgft1019.dgn	DN: TxDOT	CK: KM	DW: BD	CK: VP
© TxDOT NOVEMBER 2019	CONT	SECT	JOB	HIGHWAY
REVISIONS	6460	99	001	PH 20, etc.
	DIST	COUNTY		SHEET NO.
	Abil	Taylor, ETC.		35

DISCLAIMER: THE USE OF THIS STANDARD IS COVERED BY THE "TEXAS ENGINEERING PRACTICE ACT". NO WARRANTY OF ANY KIND IS MADE BY TxDOT FOR ANY PURPOSE WHATSOEVER. TxDOT ASSUMES NO RESPONSIBILITY FOR THE CONVERSION OF THIS STANDARD TO OTHER FORMATS OR FOR INCORRECT RESULTS OR DAMAGES RESULTING FROM ITS USE.



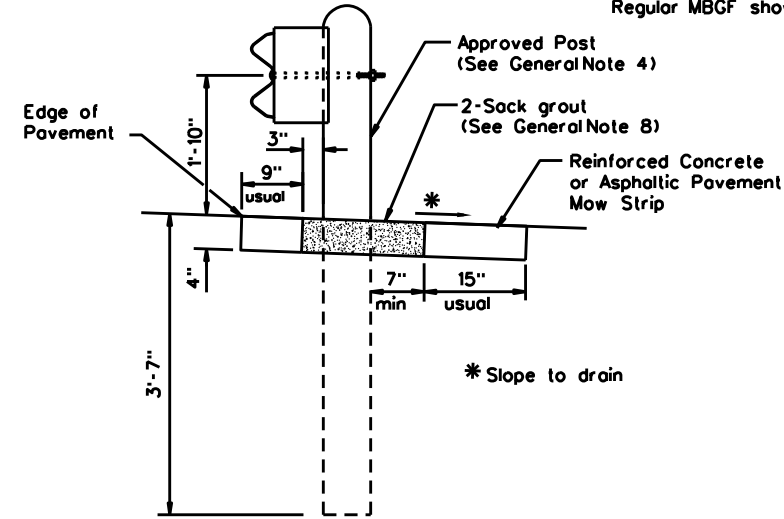
GRADING AND MOW STRIP AT GUARDRAIL END TREATMENTS

Note: Site Condition(s)
 Site conditions may exist where grading is required for the proper installation of metal guard fence and end treatments.
 Approach grading or mow strip may be decreased or eliminated. As directed by the Engineer.



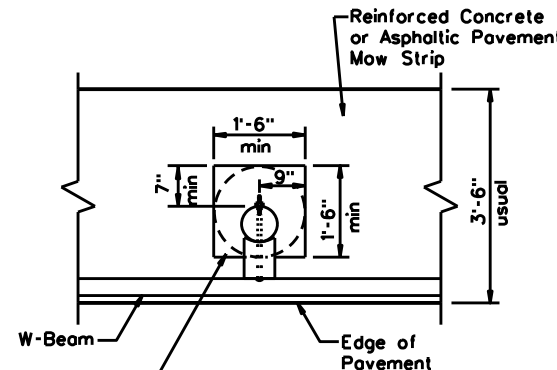
PLAN

Regular MBGF shown with Mow Strip



SECTION A-A

Typical



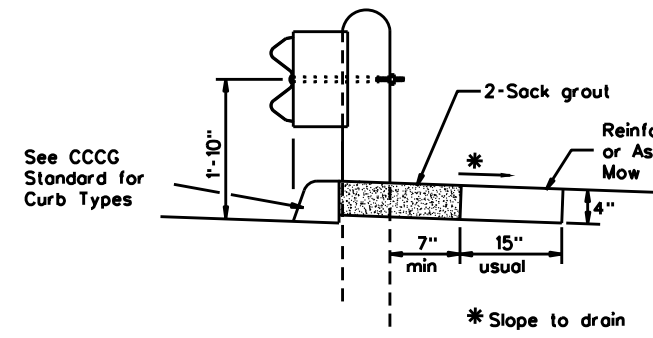
MOW STRIP DETAIL

Reinforced Concrete or Asphaltic Pavement Mow Strip with 18" x 18" or 18" dia. minimum leaveout.

Fill leaveout with 2-Sack grout. (See General Note 8)

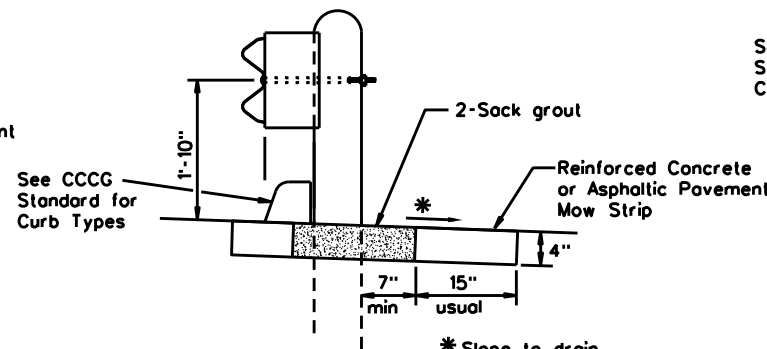
GENERAL NOTES

1. This mow strip design is for use with metal beam guard fence, guard fence transitions, and guard fence end treatments (See SGT standards for proper SGT installation).
2. Mow strips shall be asphaltic pavement or reinforced concrete (wire mesh or synthetic fiber), as shown on the plans and will be paid for under the pertinent bid item of work. Asphaltic pavement shall meet the requirements of the item, and be placed in accordance with the pertinent bid item as shown on the plans. Reinforced concrete shall be placed in accordance with Item 432, "Riprap." The use of the synthetic fiber in lieu of steel reinforcing is acceptable, provided the fiber producer is on the Department Material Producer List (MPL), maintained by TxDOT, Construction Division.
3. The leaveout behind the post shall be a minimum of 7".
4. The type of approved post will be shown elsewhere in the plans. See the applicable standard sheets for additional details and information.
5. Other curb placement options may be used. Curbs are not considered part of the mow strip and will be paid for under other pertinent bid item.
6. Depth of mow strip will be 4".
7. The limits of payment for asphaltic pavement or reinforced concrete will include leaveouts for posts.
8. The leave-outs shall be filled with no more than a 2-sack grout mixture (1 part cement, 5 parts water, and 14 parts sand by volume) with a 28-day compressive strength of approximately 120 psi or less. Provide grout of a consistency that will flow into and completely fill all voids. Due to auger size, larger leave-out dimensions are acceptable from both an impact performance and maintenance repair standpoint (Suggested maximum leave-out of 20"). Payment for furnishing and placing the grout mixture will be subsidiary to the pay item of rip rap mow strip.



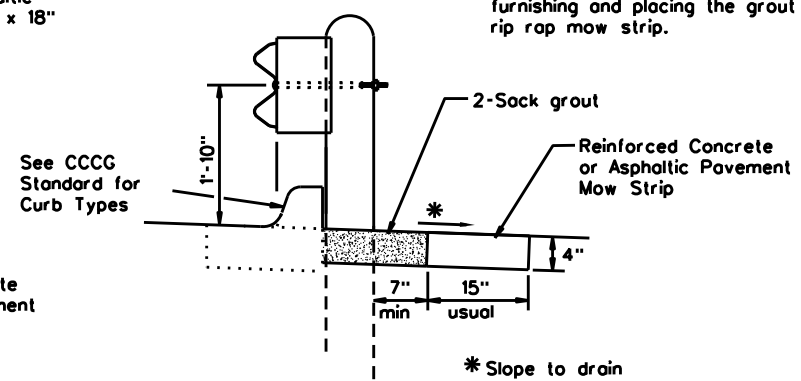
CURB OPTION (1)

This option will increase the post embedment through out the system.



CURB OPTION (2)

Curb shown on top of mow strip



CURB OPTION (3)

ONLY FOR USE IN MAINTENANCE REPAIRS.



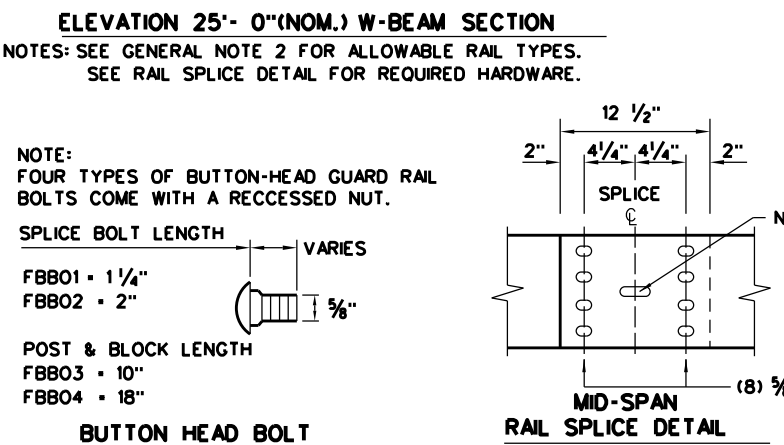
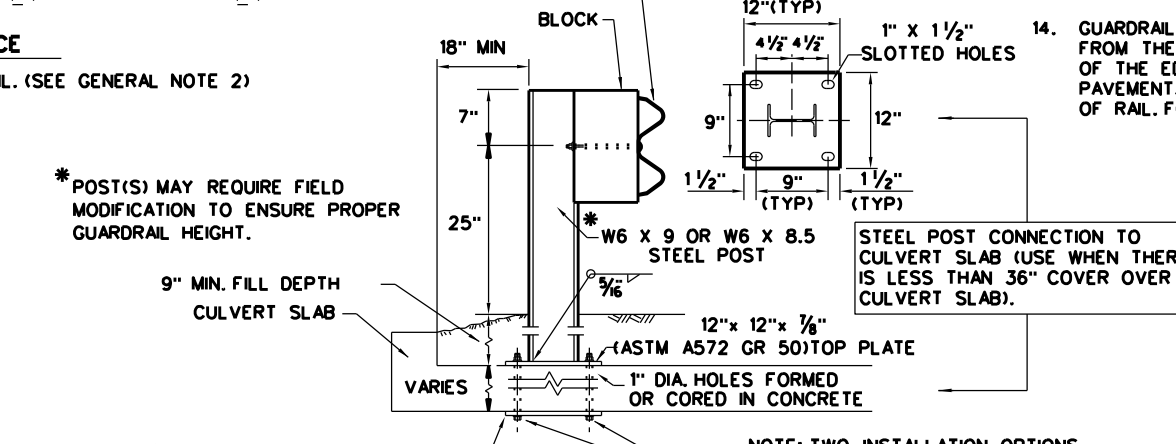
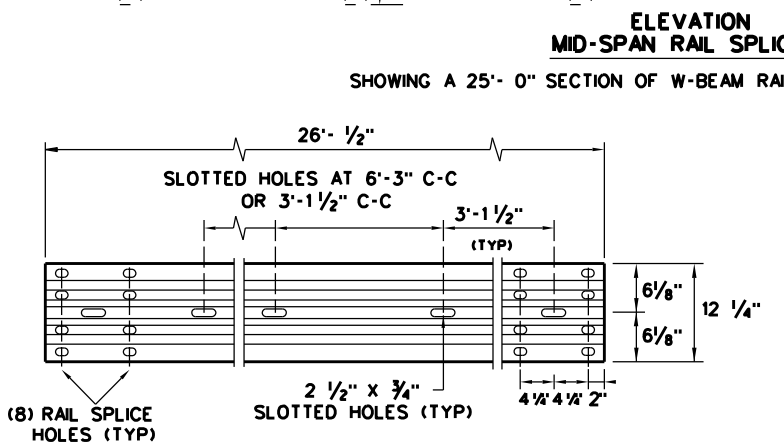
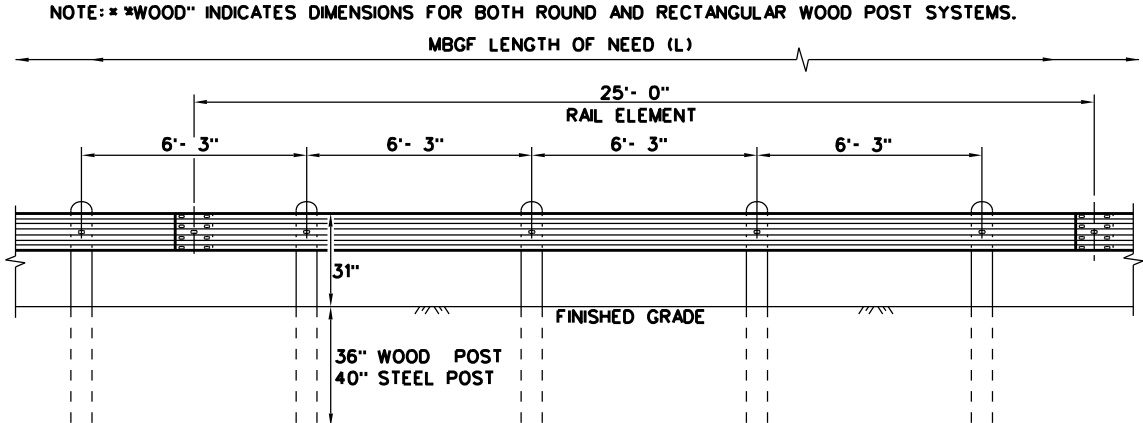
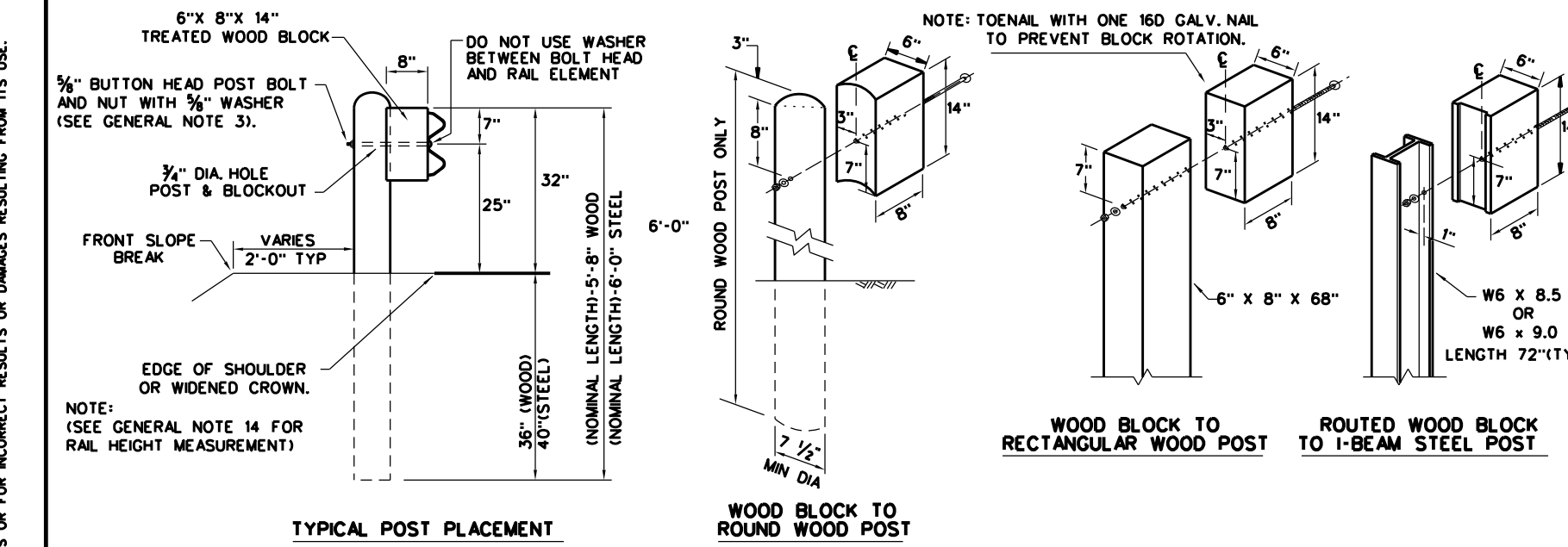
METAL BEAM GUARD FENCE (MOW STRIP)

MBGF(MS)-19

FILE: mbgfms19.dgn	DN: TxDOT	CK: KM	DW: TxDOT	CK: CL
© TxDOT NOVEMBER 2019	CONT	SECT	JOB	HIGHWAY
REVISIONS	6460	99	001	H 20, etc.
DIST	COUNTY		SHEET NO.	
Abi	Taylor, ETC.		36	

DATE: FILE:

DISCLAIMER: THE USE OF THIS STANDARD IS COVERED BY THE "TEXAS ENGINEERING PRACTICE ACT". NO WARRANTY OF ANY KIND IS MADE BY TxDOT FOR ANY PURPOSE WHATSOEVER. TxDOT ASSUMES NO RESPONSIBILITY FOR THE CONVERSION OF THIS STANDARD TO OTHER FORMATS OR FOR INCORRECT RESULTS OR DAMAGES RESULTING FROM ITS USE.



DATE: FILE:

GENERAL NOTES

1. THE TYPE OF POST (ROUND WOOD POST, RECTANGULAR WOOD POST, OR STEEL POST) WILL BE AS SHOWN IN THE PLANS. THE EXACT POSITION OF MBGF SHALL BE SHOWN IN THE PLANS OR AS DIRECTED BY THE ENGINEER. STEEL POSTS TO BE GALVANIZED IN ACCORDANCE WITH ITEM 445, "GALVANIZING."
2. RAIL ELEMENTS SHALL MEET THE REQUIREMENTS OF ITEM 540, "METAL BEAM GUARD FENCE" EXCEPT AS MODIFIED IN THE PLANS. THE CONTRACTOR MAY FURNISH RAIL ELEMENTS OF 25'-0", OR 12'-6" (NOM.) LENGTHS. RAIL ELEMENTS MAY HAVE SLOTTED HOLES AT 3'-1 1/2" C-C OR 6'-3" C-C. A SPECIAL LENGTH OF RAIL MAY BE MANUFACTURED TO ACCOMMODATE THE DOWNSTREAM ANCHOR TERMINAL (DAT) AND THE TRANSITION SECTIONS OF GUARDRAIL.
3. BUTTON HEAD "POST BOLTS & NUTS" SHALL MEET THE REQUIREMENTS OF (ASTM A307), AND SHALL BE OF SUFFICIENT LENGTH TO EXTEND THROUGH THE FULL THICKNESS OF THE NUT AND 3/8" WASHER (FWC16g) AND NOT MORE THAN 1" BEYOND IT. TRIM REMAINING BOLT LENGTH TO MEET REQUIRED LENGTH.
4. FITTINGS (BOLTS, NUTS, AND WASHERS) SHALL BE GALVANIZED IN ACCORDANCE WITH ITEM 445, "GALVANIZING." FITTINGS SHALL BE SUBSIDIARY TO THE BID ITEM.
5. CROWN SHALL BE WIDENED TO ACCOMMODATE THE METAL BEAM GUARD FENCE.
6. THE LATERAL APPROACH TO THE GUARD FENCE, SHALL HAVE A MAXIMUM SLOPE OF 1V:10H.
7. IF SHOWN ELSEWHERE IN THE PLANS OR AS DIRECTED BY THE ENGINEER, THE GUARD FENCE MAY BE FLARED AT A RATE OF 25:1 OR FLATTER.
8. UNLESS OTHERWISE SHOWN IN THE PLANS, GUARD FENCE PLACED IN THE VICINITY OF CURBS SHALL BE POSITIONED SO THAT THE FACE OF CURB IS LOCATED DIRECTLY BELOW OR BEHIND THE FACE OF THE RAIL. RAIL PLACED OVER CURBS SHALL BE INSTALLED SO THAT THE POST BOLT IS LOCATED APPROXIMATELY 25 INCHES ABOVE THE GUTTER PAN OR EDGE OF SHOULDER.
9. APPLICATIONS IN SOLID ROCK ARE ONLY ALLOWED WITH STEEL POSTS. IF SOLID ROCK IS ENCOUNTERED WITHIN 0 TO 18" OF THE FINISHED GRADE, DRILL A 24" DIA. HOLE, 24" INTO THE ROCK. IF SOLID ROCK IS ENCOUNTERED BELOW 18", DRILL A 12" DIA. HOLE, 12" INTO THE ROCK OR TO THE STANDARD EMBEDMENT DEPTH, WHICHEVER MAY BE LESS. ANY EXCESS POST LENGTH, AFTER MEETING THESE DEPTHS, MAY BE FIELD CUT TO ENSURE PROPER GUARDRAIL MOUNTING HEIGHT. BACKFILL WITH COARSE AGGREGATE MATERIAL.
10. POSTS SHALL NOT BE SET IN CONCRETE, OF ANY DEPTH.
11. SPECIAL FABRICATION WILL BE REQUIRED AT INSTALLATION LOCATIONS HAVING A CURVATURE OF LESS THAN 150 FT. RADIUS.
12. UNLESS OTHERWISE SHOWN IN THE PLANS, A COMPOSITE MATERIAL BLOCK THAT MEETS THE REQUIREMENTS OF DMS-7210, "COMPOSITE MATERIAL POSTS AND BLOCKS FOR METAL BEAM GUARD FENCE" MAY BE SUBSTITUTED FOR BLOCKS OF SIMILAR DIMENSIONS. THE CONSTRUCTION DIVISION, TxDOT MAINTAINS A MATERIAL PRODUCER LIST (MPL) FOR PRODUCERS OF MATERIALS CONFORMING TO DMS-7210 ONLY PRODUCERS ON THE MPL MAY FURNISH COMPOSITE MATERIAL BLOCKS.
13. FOR THE LOW FILL CULVERT OPTION, POSTS LOCATED PARTIALLY OR WHOLLY BETWEEN PRECAST BOX CULVERT UNITS, THE USE OF A CAST-IN-PLACE CONCRETE CLOSURE BETWEEN BOXES IS REQUIRED. THE LENGTH OF THE CAST-IN-PLACE CONCRETE CLOSURE SHALL ACCOMMODATE THE PLACEMENT OF THE LOW FILL CULVERT OPTION. SEE CONCRETE CLOSURE DETAILS ON BRIDGE STANDARD SCP-MD.
14. GUARDRAIL HEIGHT MEASUREMENT: WHEN THE GUARDRAIL IS LOCATED ABOVE PAVEMENT, MEASURE THE HEIGHT FROM THE PAVEMENT TO THE TOP OF THE W-BEAM RAIL. WHEN THE GUARDRAIL IS LOCATED UP TO 2 FT. OFF OF THE EDGE OF PAVEMENT OR FOR A PAVEMENT OVERLAY, USE A 10-FOOT STRAIGHTEDGE TO EXTEND THE PAVEMENT/SOULDER SLOPE TO THE BACK OF RAIL, MEASURE FROM THE BOTTOM OF STRAIGHTEDGE TO THE TOP OF RAIL. FOR GUARDRAIL LOCATED DOWN A 10:1 SLOPE, MEASURE FROM THE NOMINAL TERRAIN.

NOTE: TRANSITIONS TO BRIDGE RAILS OR TRAFFIC BARRIERS. SEE GF(31)TL3 TR STANDARD FOR HIGH-SPEED TL-3 TRANSITIONS. SEE GF(31)TL2 TR STANDARD FOR LOW-SPEED TL-2 TRANSITIONS.

1. **BOLT-THROUGH OPTION:** REQUIRES A 6" MIN. SLAB THICKNESS. 3/8" DIA (ASTM A449) HEAVY HEX BOLTS WITH TWO HARDENED WASHER EACH AND HEAVY HEX NUTS. NOTE: BOLT LENGTH = SLAB PLUS 2 1/4" MIN.
2. **EPOXY ANCHOR OPTION:** THIS OPTION MAY ONLY BE USED IF THE CULVERT SLAB IS 9" MIN. THICK. THREADED ANCHOR RODS MUST BE 3/8" DIA. ASTM A449 OR A193 GRADE B7 WITH HEAVY HEX NUT, AND ONE HARDENED WASHER EACH. EMBED ANCHOR RODS 6" WITH HILTI HIT RE 500 EPOXY ADHESIVE. OTHER TYPE III CLASS C EPOXY ADHESIVES MEETING THE REQUIREMENTS OF DMS-6100, "EPOXIES AND ADHESIVES", MAY BE USED IF IT CAN BE DEMONSTRATED THAT THEY MEET OR EXCEED THE STRENGTH OF HILTI HIT RE 500 WITH THE SAME EMBEDMENT DEPTH AND THREADED ROD DIA. FOLLOW THE MANUFACTURER'S REQUIREMENTS FOR INSTALLING EPOXIED THREADED RODS. EXTEND RODS 1/4" MIN. BEYOND NUT.

NOTE: CULVERTS OF 25 FT. OR LESS, SEE GF(31)LS STANDARD FOR "LONG SPAN" OPTION.

				Design Division Standard
<h2>METAL BEAM GUARD FENCE</h2> <h3>TL-3 MASH COMPLIANT</h3> <h3>GF(31)-19</h3>				
FILE: gf3119.dgn	DN: TxDOT	CK: KM	DW: VP	CK: CGL / AG
© TxDOT: NOVEMBER 2019	CONT	SECT	JOB	HIGHWAY
REVISIONS	6460	99	001	IH20, etc.
	DIST	COUNTY	SHEET NO.	
	Abil	Taylor, ETC.	37	

DISCLAIMER: THE USE OF THIS STANDARD IS COVERED BY THE "TEXAS ENGINEERING PRACTICE ACT". NO WARRANTY OF ANY KIND IS MADE BY TxDOT FOR ANY PURPOSE WHATSOEVER. TxDOT ASSUMES NO RESPONSIBILITY FOR THE CONVERSION OF THIS STANDARD TO OTHER FORMATS OR FOR INCORRECT RESULTS OR DAMAGES RESULTING FROM ITS USE.

DATE: FILE:

BREAKAWAY CABLE TERMINAL (BCT) CABLE ANCHOR ASSEMBLY WITH CABLE BRACKET, BEARING PLATE AND STANDARD HARDWARE.

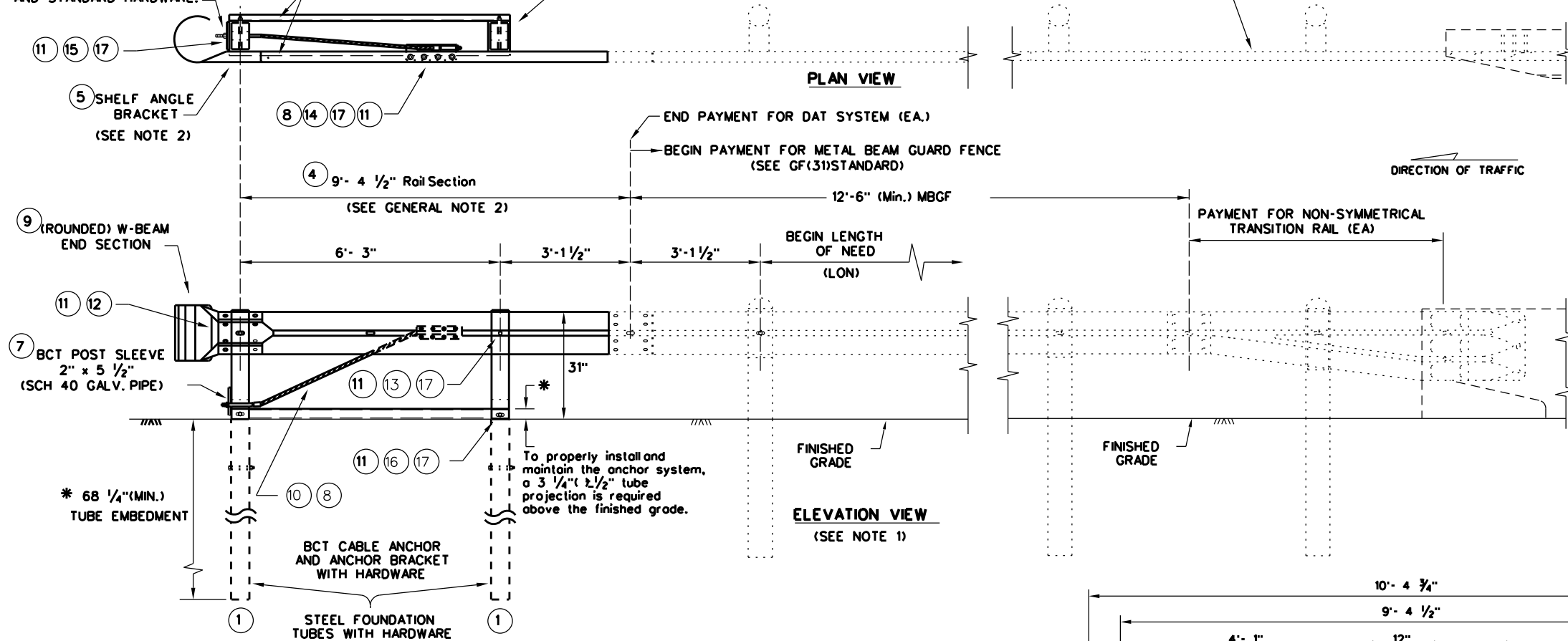
C3 x 5 x 80" (3) CHANNEL STRUT

7 1/4" x 5 1/4" x 46" (2) DAT TERMINAL POST

NON-SYMMETRICAL TRANSITION RAIL SECTION (SEE APPLICABLE TRANSITION STANDARD)

GENERAL NOTES

1. THE DETAIL SHOWN IS THE MINIMUM LENGTH OF NEED (LON) FOR A DOWNSTREAM ANCHOR TERMINAL (DAT) CONNECTED TO A CONCRETE RAIL.
2. THE RAIL SECTION AT THE END POST IS SUPPORTED BY THE SHELF ANGLE BRACKET. THE RAIL ELEMENT IS NOT ATTACHED TO THE END POST.
3. THE FOUNDATION TUBES SHALL NOT PROJECT MORE THAN 3 3/4" ABOVE THE FINISHED GRADE.
4. ALL HARDWARE FOR DAT SHALL BE ASTM A307 UNLESS OTHERWISE SHOWN.
5. REFER TO GF(31) SHEET FOR TERMINAL CONNECTION DETAILS.

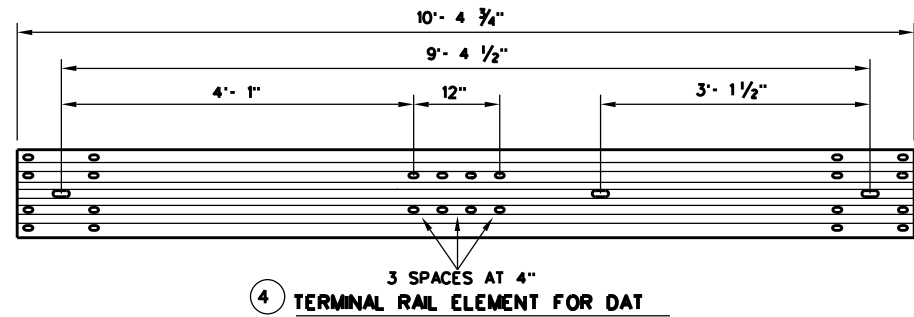


MOW STRIP INSTALLATION

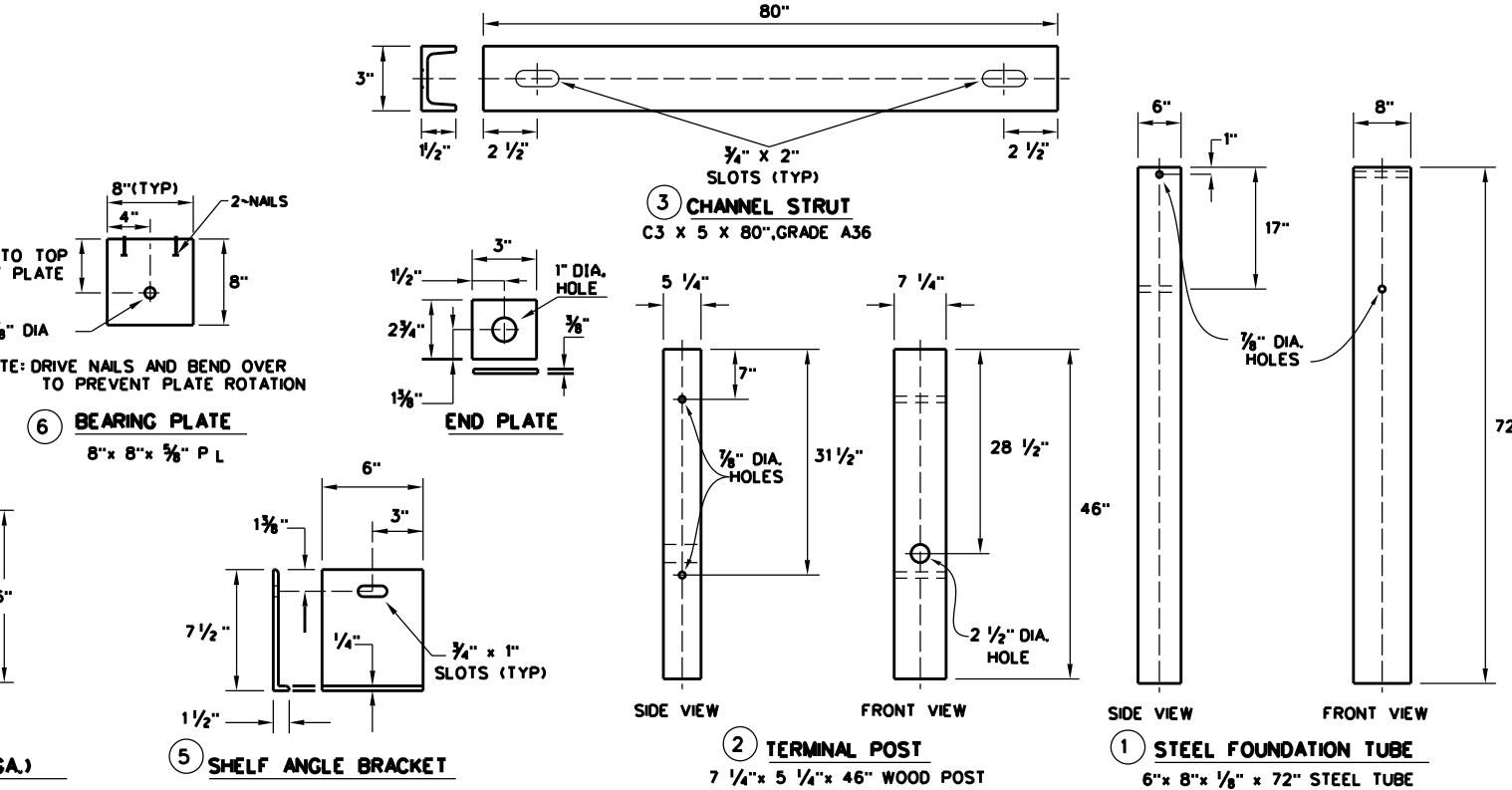
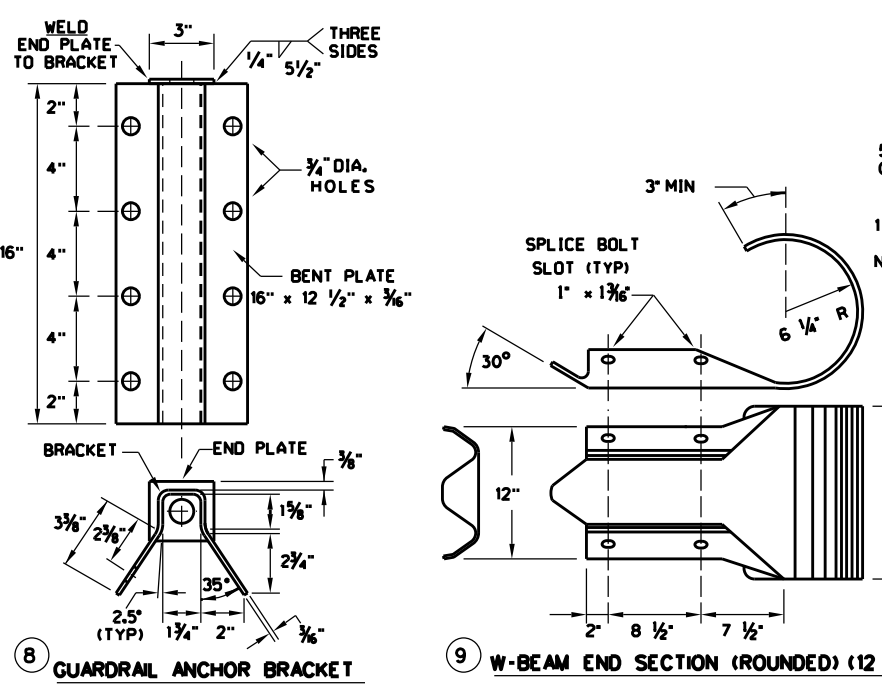
IF A MOW STRIP IS REQUIRED WITH THE DAT INSTALLATION THE LEAVE-OUT AREA AROUND THE STEEL FOUNDATION TUBES AND THE TWO CHANNEL STRUTS MAY BE OMITTED. THIS WILL REQUIRE A FULL POUR AT THE FOUNDATION TUBES.

DOWNSTREAM ANCHOR TERMINAL (DAT)

NOTE: ONLY FOR DOWNSTREAM USE. WHEN LOCATED OUTSIDE THE HORIZONTAL CLEARANCE AREA OF OPPOSING TRAFFIC.



(DAT) PARTS LIST	QTY
1 STEEL FOUNDATION TUBE	2
2 DAT TERMINAL POST	2
3 CHANNEL STRUT	2
4 TERMINAL RAIL ELEMENT	1
5 SHELF ANGLE BRACKET	1
6 BCT BEARING PLATE	1
7 BCT POST SLEEVE	1
8 GUARDRAIL ANCHOR BRACKET	1
9 (ROUNDED) W-BEAM END SECTION	1
10 BCT CABLE ANCHOR	1
11 RECESSED NUT, GUARDRAIL	20
12 1 1/4" BUTTON HEAD BOLT	4
13 10" BUTTON HEAD BOLT	2
14 5/8" X 2" HEX HEAD BOLT	8
15 5/8" X 8" HEX HEAD BOLT	4
16 5/8" X 10" HEX HEAD BOLT	2
17 5/8" FLAT WASHER	18



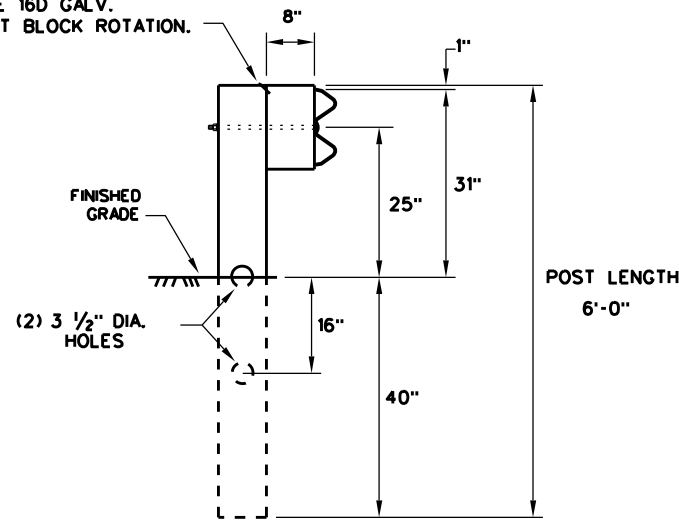
Texas Department of Transportation Design Division Standard

METAL BEAM GUARD FENCE (DOWNSTREAM ANCHOR TERMINAL) TL-3 MASH COMPLIANT GF(31)DAT-19

FILE: gf31dat19.dgn	DN: TxDOT	CK: KM	DW: VP	CK: CGL / AG
© TxDOT: NOVEMBER 2019 REVISIONS	CONT: 6460	SECT: 99	JOB: 001	HIGHWAY: IH20, etc.
	DIST: Abil	COUNTY: Taylor, ETC.	SHEET NO. 38	

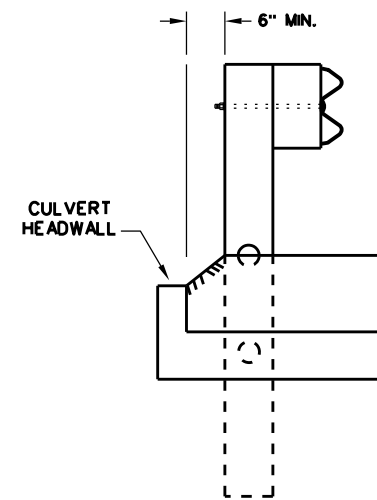
DISCLAIMER: THE USE OF THIS STANDARD IS GOVERNED BY THE "TEXAS ENGINEERING PRACTICE ACT". NO WARRANTY OF ANY KIND IS MADE BY TxDOT FOR ANY PURPOSE WHATSOEVER. TxDOT ASSUMES NO RESPONSIBILITY FOR THE CONVERSION OF THIS STANDARD TO OTHER FORMATS OR FOR INCORRECT RESULTS OR DAMAGES RESULTING FROM ITS USE.

NOTE: TOENAIL WITH ONE 16D GALV. NAIL TO PREVENT BLOCK ROTATION.



**RECTANGULAR CRT POST
(6" X 8" X 6' LONG)**

(6) CRT REQUIRED
SEE ELEVATION DETAIL FOR LOCATIONS



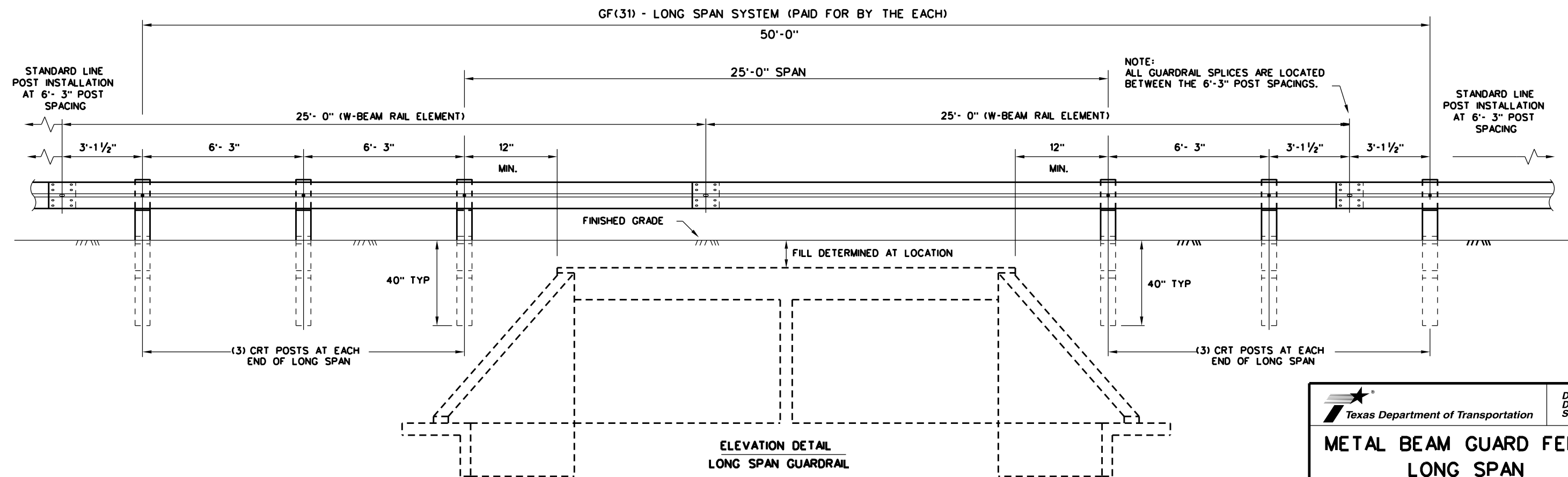
**LATERAL OFFSET BETWEEN THE
GUARDRAIL AND THE CULVERT HEADWALL**

GENERAL NOTES

1. THE TYPE OF LINE POST (ROUND WOOD POST, RECTANGULAR WOOD POST, OR STEEL POST) WILL BE AS SHOWN IN THE PLANS. THE EXACT POSITION OF THE TRANSITIONS SHALL BE AS SHOWN IN THE PLANS OR AS DIRECTED BY THE ENGINEER. STEEL POSTS TO BE GALVANIZED IN ACCORDANCE WITH ITEM 445, "GALVANIZING."
2. RAIL ELEMENT SHALL MEET ALL REQUIREMENTS OF ITEM 540, "METAL BEAM GUARD FENCE" EXCEPT AS MODIFIED ON THE PLANS. THE CONTRACTOR MAY FURNISH RAIL ELEMENTS OF 12'- 6" OR 25'- 0" NOMINAL LENGTHS.
3. RAIL POST HOLES ARE OFFSET 3'- 1 1/2" FROM STANDARD GUARDRAIL TO ACCOMMODATE THE MIDSPAN SPlicing.
4. BUTTON HEAD "POST BOLTS & NUTS" SHALL MEET THE REQUIREMENTS OF (ASTM A307), AND SHALL BE OF SUFFICIENT LENGTH TO EXTEND THROUGH THE FULL THICKNESS OF THE NUT AND 5/8" WASHER (FWC16a) AND NO MORE THAN 1" BEYOND IT.
5. FITTINGS (BOLTS, NUTS, AND WASHERS) SHALL BE GALVANIZED IN ACCORDANCE WITH ITEM 445, "GALVANIZING". FITTINGS SHALL BE SUBSIDIARY TO THE BID ITEM.
6. WHERE SOLID ROCK IS ENCOUNTERED, CONTACT THE DESIGN DIVISION FOR ADDITIONAL GUIDANCE. (512) 416-2678
7. POSTS SHALL NOT BE SET IN CONCRETE, OF ANY DEPTH.
8. REFER TO GF(31) STANDARD SHEET FOR ADDITIONAL DETAILS.
9. FLAME CUTTING OF HOLES IN GUARDRAIL SHALL NOT BE PERMITTED. IF YOU ENCOUNTER MIS-ALIGNED BOLT HOLES IN GUARDRAIL CONTACT THE DESIGN DIVISION FOR ADDITIONAL INFORMATION & OPTIONS.

NOTE: SEE GF(31) STANDARD FOR STANDARD LINE POSTS.

DIRECTION OF TRAFFIC



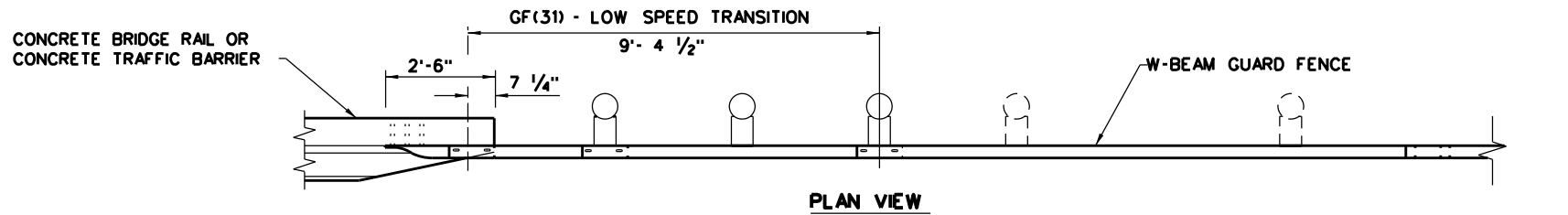
**ELEVATION DETAIL
LONG SPAN GUARDRAIL**

		Design Division Standard	
METAL BEAM GUARD FENCE LONG SPAN TL-3 MASH COMPLIANT			
GF(31)LS-19			
FILE: gf31ls19.dgn	DN: TxDOT	CK: KM	DW: VP
© TxDOT: NOVEMBER 2019	CONT	SECT	JOB
REVISIONS	6460	99	001
	DIST	COUNTY	SHEET NO.
	Abi	Taylor, ETC.	39

DATE:
FILE:

DISCLAIMER: THE USE OF THIS STANDARD IS GOVERNED BY THE "TEXAS ENGINEERING PRACTICE ACT". NO WARRANTY OF ANY KIND IS MADE BY TxDOT FOR ANY PURPOSE WHATSOEVER. TxDOT ASSUMES NO RESPONSIBILITY FOR THE CONVERSION OF THIS STANDARD TO OTHER FORMATS OR FOR INCORRECT RESULTS OR DAMAGES RESULTING FROM ITS USE.

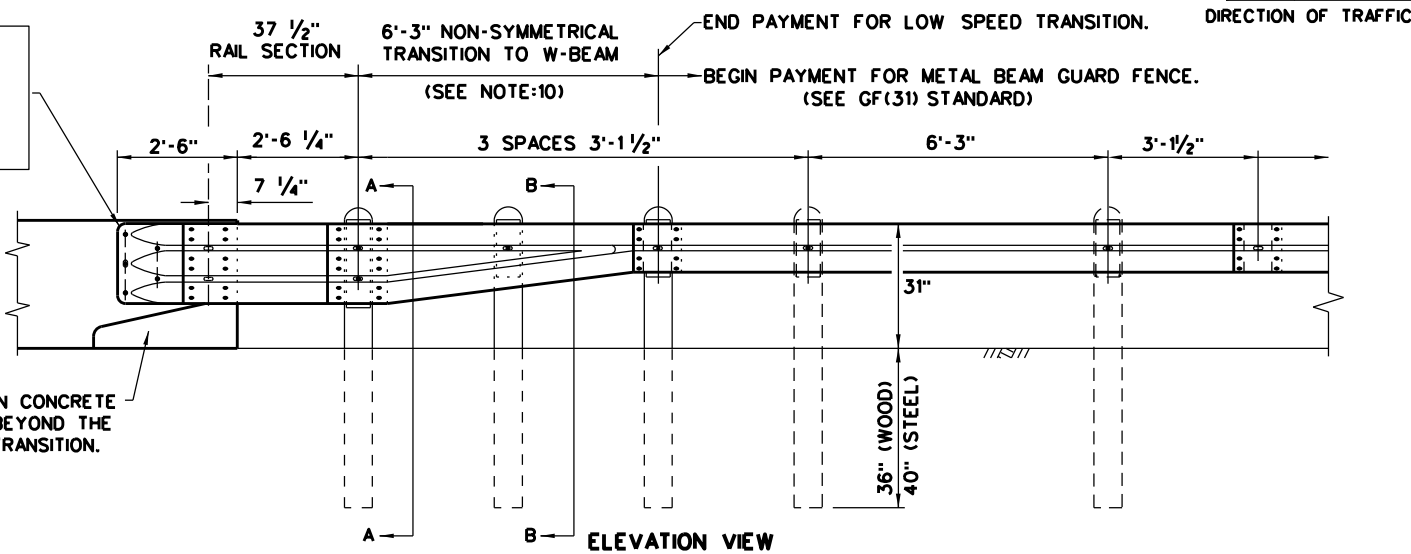
DATE: FILE:



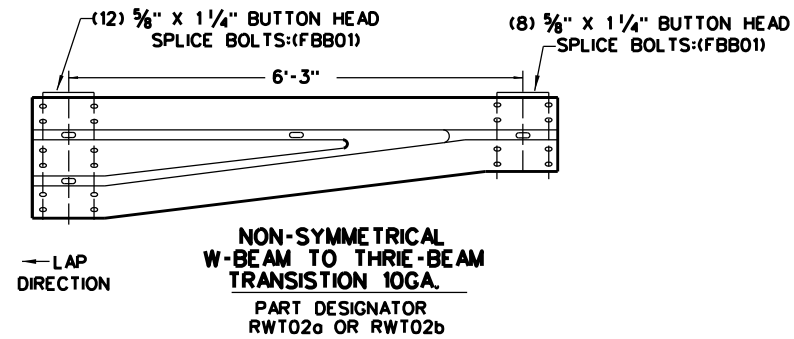
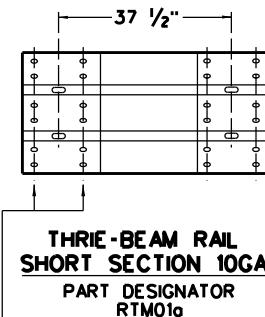
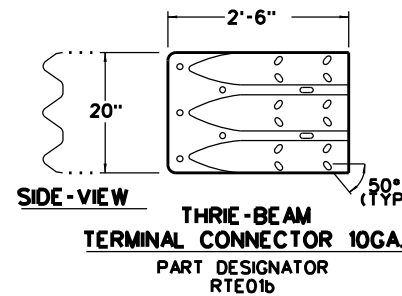
- (5) 7/8" DIA. HEAVY HEX HEAD BOLTS (ASTM A325 OR A449)
- (10) 1 3/4" O.D. WASHER UNDER EACH HEX BOLT HEAD AND NUT.
- (5) 3/8" DIA. HEAVY HEX NUTS (ASTM A194 OR A563)

NOTE: HEAVY HEX BOLT LENGTH WILL VARY DEPENDING ON WIDTH CONCRETE RAIL. LEAVE 1" OF BOLT LENGTH PAST THE 7/8" HEX NUT. TRIM AS REQUIRED.

NOTE: CHAMFER REQUIRED ON CONCRETE RAILS THAT EXTEND BEYOND THE FACE OF GUARDRAIL TRANSITION.



- GENERAL NOTES**
1. THE TYPE OF POST (ROUND WOOD POST, RECTANGULAR WOOD POST, OR STEEL POST) WILL BE AS SHOWN IN THE PLANS. THE EXACT POSITION OF TRANSITIONS SHALL BE AS SHOWN IN THE PLANS OR AS DIRECTED BY THE ENGINEER. REFER TO GF(31) STANDARD SHEET.
 2. RAIL ELEMENT SHALL MEET THE REQUIREMENTS OF ITEM 540, "METAL BEAM GUARD FENCE" EXCEPT AS MODIFIED IN THE PLANS.
 3. FITTINGS (BOLTS, NUTS, AND WASHERS) SHALL BE GALVANIZED IN ACCORDANCE WITH ITEM 445, "GALVANIZING." FITTINGS SHALL BE SUBSIDIARY TO THE BID ITEM REQUIRING CONSTRUCTION OF THE TRANSITION.
 4. BUTTON HEAD "POST BOLTS & NUTS" SHALL MEET THE REQUIREMENTS OF (ASTM A307), AND SHALL BE OF SUFFICIENT LENGTH TO EXTEND THROUGH THE FULL THICKNESS OF THE NUT AND 5/8" WASHER (FWC16a) AND NOT MORE THAN 1" BEYOND IT. TRIM BOLT LENGTH TO MEET REQUIRED LENGTH.
 5. POSTS SHALL NOT BE SET IN CONCRETE, OF ANY DEPTH.
 6. CROWN SHALL BE WIDENED TO ACCOMMODATE TRANSITIONS.
 7. WHERE SOLID ROCK IS ENCOUNTERED, CONTACT THE DESIGN DIVISION FOR ADDITIONAL GUIDANCE. (512) 416-2678
 8. UNLESS OTHERWISE SHOWN IN THE PLANS, A COMPOSITE MATERIAL BLOCK THAT MEETS THE REQUIREMENTS OF DMS-7210, "COMPOSITE MATERIAL POSTS AND BLOCKS FOR METAL BEAM GUARD FENCE" MAY BE SUBSTITUTED FOR BLOCKS OF SIMILAR DIMENSIONS. THE CONSTRUCTION DIVISION, TxDOT, MAINTAINS A MATERIAL PRODUCER LIST (MPL) FOR PRODUCERS OF MATERIALS CONFORMING TO DMS-7210. ONLY PRODUCERS ON THE MPL CAN FURNISH COMPOSITE MATERIAL BLOCKS.
 9. REFER TO GF(31) STANDARD SHEET & BRIDGE RAILING DETAILS FOR ADDITIONAL DETAILS.
 10. FOR ROUND WOOD POSTS SYSTEMS, ALL ROUND WOOD POSTS SHALL BE 7 1/2" DIA. MINIMUM THROUGHOUT THE TRANSITION.

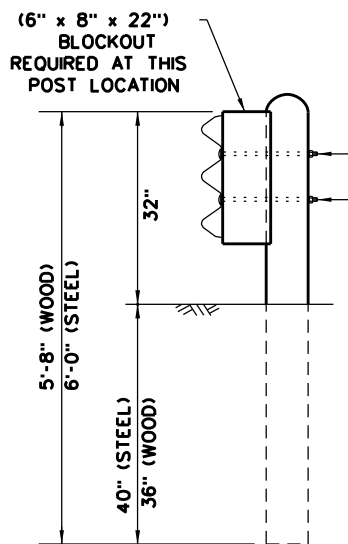


- (2) 5/8" BUTTON HEAD POST BOLTS & NUTS (FBB04)
- (1) 5/8" FLAT WASHER (FWC14a) UNDER EACH NUT

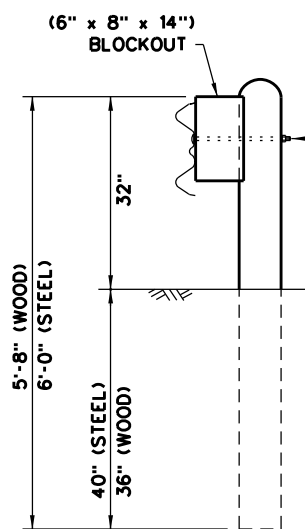
- (1) 5/8" BUTTON HEAD POST BOLT & NUT (FBB04)
- (1) 5/8" FLAT WASHER (FWC14a) UNDER EACH NUT

PLATE WASHER INSTRUCTIONS

BRIDGE APPROACH - UPSTREAM: THE SHORT RAIL LAPS OVER THE TERMINAL CONNECTOR. PLATE WASHERS ARE INSTALLED UNDER THE SPLICE NUTS AGAINST INSIDE OF CONNECTOR.
BRIDGE EXIT - DOWNSTREAM: THE TERMINAL CONNECTOR LAPS OVER THE NESTED RAIL. PLATE WASHERS ARE INSTALLED UNDER THE BOLT HEAD AGAINST OUTSIDE OF CONNECTOR.

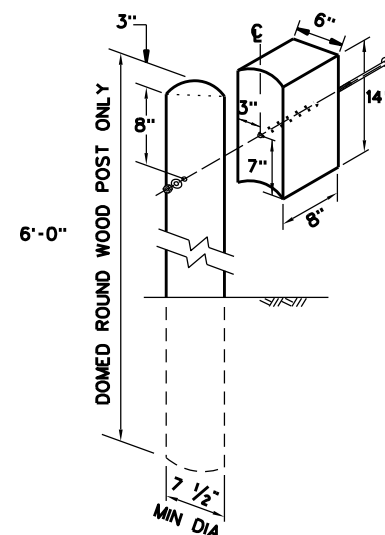


SECTION A-A



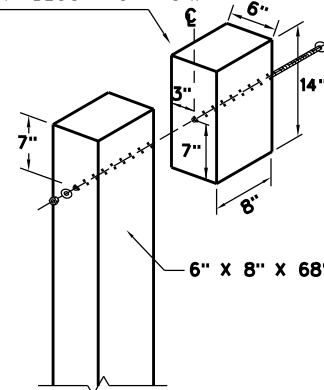
SECTION B-B

NOTE: *WOOD" INDICATES DIMENSIONS FOR BOTH ROUND AND RECTANGULAR WOOD POST SYSTEMS.

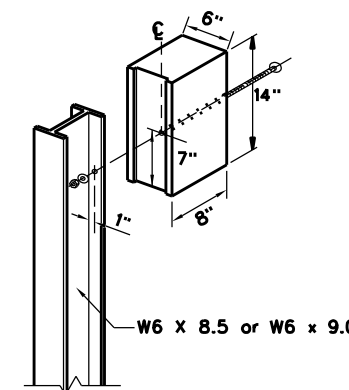


WOOD BLOCK TO ROUND WOOD POST

NOTE: TOENAIL WITH ONE 16D GALV. NAIL TO PREVENT BLOCK ROTATION.



WOOD BLOCK TO RECTANGULAR WOOD POST

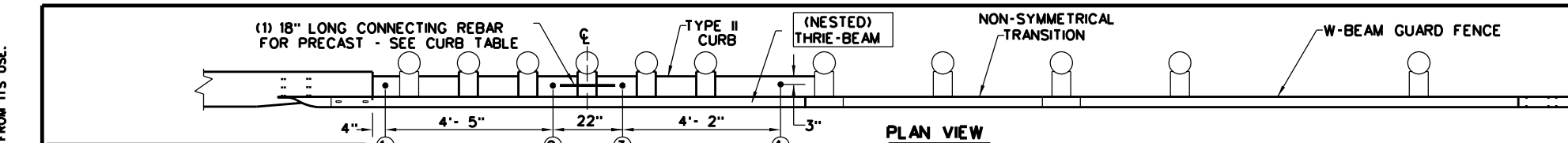


ROUTED WOOD BLOCK TO I-BEAM STEEL POST

LOW-SPEED TRANSITION

		Design Division Standard	
METAL BEAM GUARD FENCE THRIE-BEAM TRANSITION TL-2 MASH COMPLIANT GF(31)TR TL2-19			
FILE: gf31trtl219.dgn	DN: TxDOT	CK: KM	DW: VP
© TxDOT: NOVEMBER 2019	CONT	SECT	JOB
REVISIONS	6460	99	001
	DIST	COUNTY	SHEET NO.
	Abi	Taylor, ETC.	40

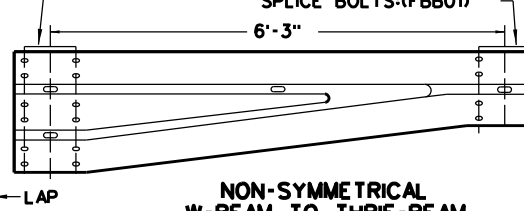
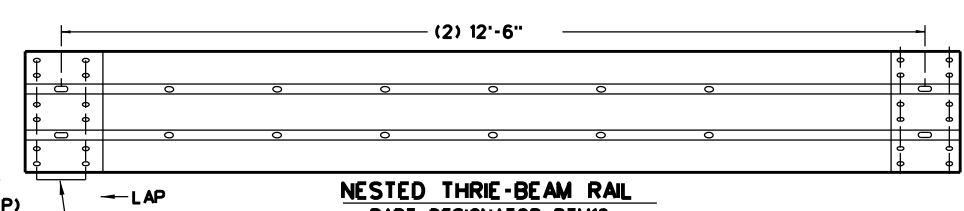
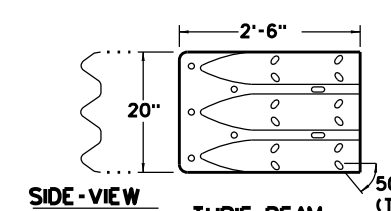
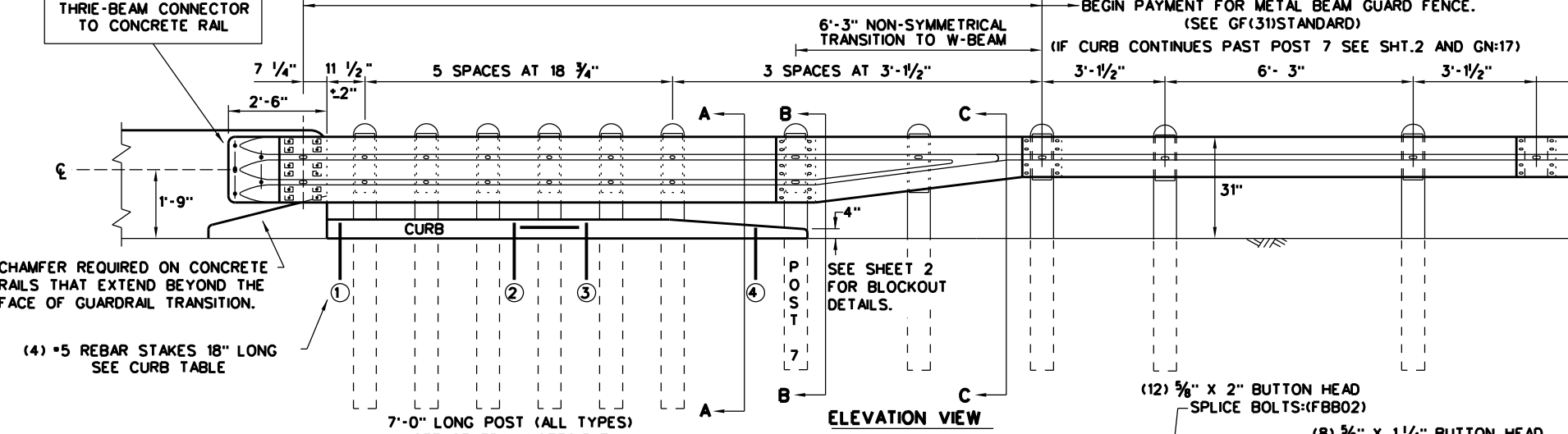
DISCLAIMER: THE USE OF THIS STANDARD IS COVERED BY THE "TEXAS ENGINEERING PRACTICE ACT". NO WARRANTY OF ANY KIND IS MADE BY TxDOT FOR ANY PURPOSE WHATSOEVER. TxDOT ASSUMES NO RESPONSIBILITY FOR THE CONVERSION OF THIS STANDARD TO OTHER FORMATS OR FOR INCORRECT RESULTS OR DAMAGES RESULTING FROM ITS USE.



- (5) 1" DIA. HOLES.
- (5) 5/8" DIA. HEAVY HEX HEAD BOLTS (FACING TRAFFIC SIDE) (ASTM F3125 GR A325 OR A449).
- (10) 1 3/4" O.D. WASHER UNDER EACH HEX BOLT HEAD AND NUT.
- (5) 5/8" DIA. HEAVY HEX NUTS (ASTM A194 OR A563).

NOTE: HEAVY HEX BOLT LENGTH WILL VARY DEPENDING ON WIDTH CONCRETE RAIL, LEAVE 1" OF BOLT LENGTH PAST THE 5/8" HEX NUT. TRIM AS REQUIRED.

NOTE: CURB IS A REQUIRED COMPONENT FOR THE TRANSITION TO FUNCTION PROPERLY. SEE GENERAL NOTES: 2-4 AND 16-17.

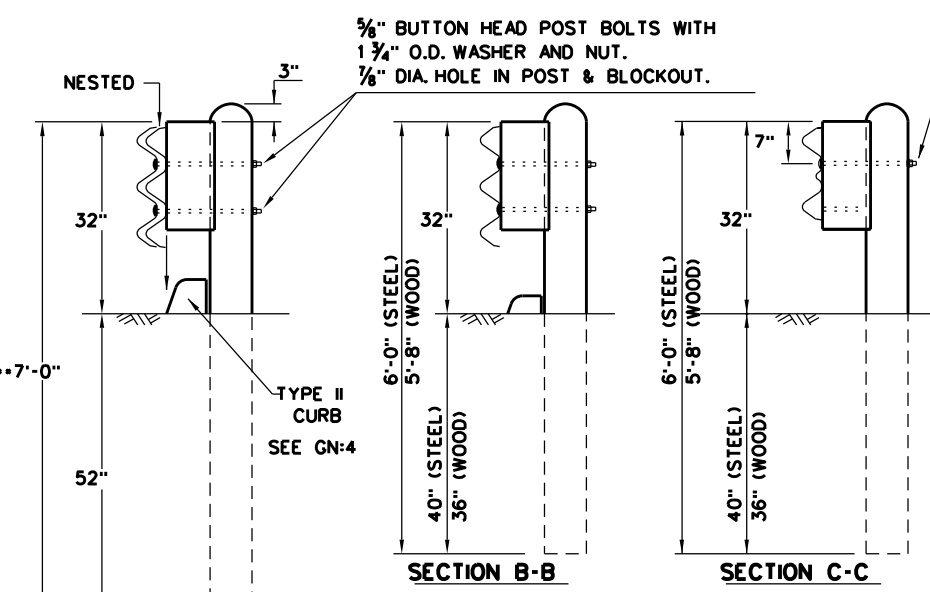


THRIE-BEAM TERMINAL CONNECTOR 10GA.
PART DESIGNATOR RTE01b
NOTE: SEE GENERAL NOTE-9

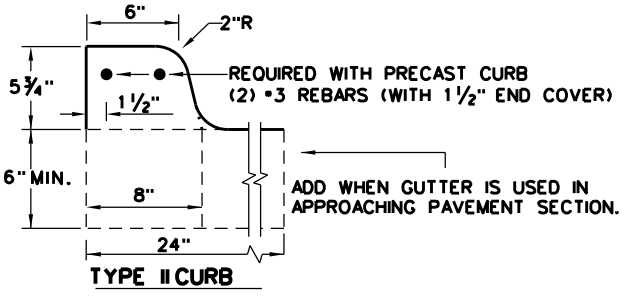
NESTED THRIE-BEAM RAIL
PART DESIGNATOR RTM100
(12) 5/8" x 2" BUTTON HEAD SPLICE BOLTS WITH RECESSED NUTS:(FBB02)
(12) RECTANGULAR GUARDRAIL PLATE WASHERS:(FWR03)

NON-SYMMETRICAL W-BEAM TO THRIE-BEAM TRANSITION 10GA.
PART DESIGNATOR RWT02a OR RWT02b

BRIDGE APPROACH - UPSTREAM: THE NESTED RAIL LAPS OVER THE TERMINAL CONNECTOR. PLATE WASHERS ARE INSTALLED UNDER THE SPLICE NUTS AGAINST INSIDE OF CONNECTOR.
BRIDGE EXIT - DOWNSTREAM: THE TERMINAL CONNECTOR LAPS OVER THE NESTED RAIL. PLATE WASHERS ARE INSTALLED UNDER THE BOLT HEAD AGAINST OUTSIDE OF CONNECTOR.



THRIE-BEAM TERMINAL - CURB TABLE	
PRECAST CURB FULL LENGTH EQUALS 12'- 2"	
THE PRECAST CURB MAY BE FORMED INTO TWO SECTIONS.	
CURB (1) LENGTH 5'- 8"	
CURB (2) LENGTH 6'- 6"	
TAPER CURB (2) TO A HEIGHT OF 4" AT POST 7	
CONNECTING PRECAST CURB SECTIONS (1) & (2):	
FORM OR CORE 1" DIA. HOLE 9" LONG INTO EACH CURB END.	
USE (1) #5 GR.60 REBAR 18" LONG TO CONNECT BOTH CURBS.	
SECURING PRECAST OR CAST-IN-PLACE TO FINISHED GRADE :	
FORM OR CORE (4) 1" DIA. HOLES, SEE PLAN AND ELEVATION VIEWS FOR HOLE LOCATIONS. DRIVE (4) #5 GR.60 REBAR STAKES 18" LONG INTO THE GROUND AND 1/2" BELOW TOP OF CURB.	
FILL HOLES WITH APPROVED GROUT MIXTURE.	



* NOTES: NOT NEEDED FOR CAST-IN-PLACE. SEE TYPE II CURB DETAIL FOR REBAR AND COVER REQUIREMENTS. PERCUSSION DRILLING IS NOT PERMITTED WITH: TYPE II CURB, BRIDGE RAIL OR CONCRETE TRAFFIC RAIL.

NOTE: **WOOD" INDICATES DIMENSIONS FOR BOTH ROUND AND RECTANGULAR WOOD POST SYSTEMS.

GENERAL NOTES

1. CONTACT THE DESIGN DIVISION FOR DRAINAGE CUT OUT OPTIONS NEEDED WITHIN THE CURB SECTION OF THE THRIE-BEAM TRANSITION. (512) 416-2678
2. CONCRETE CURB MAY BE CAST-IN-PLACE OR PRECAST AS SHOWN ON THIS SHEET. WHEN USED IN CONJUNCTION WITH THE THRIE-BEAM TRANSITIONS, CURB SHALL BE TYPE II (5- 3/4" HEIGHT); SEE CURRENT CCGG STANDARD SHEET FOR FURTHER DETAILS. IF OTHER CURB HEIGHTS ARE SHOWN IN THE PLANS IN CONJUNCTION WITH THE TRANSITION, THE CURB HEIGHT MAY BE FROM 4" TO 8" WITH A RELATIVELY VERTICAL FACE. CONCRETE CURB SHALL BE CONTINUOUS TO THE SEVENTH POST UNLESS OTHERWISE SHOWN IN THE PLANS. SEE GENERAL NOTE-17 FOR CIRCUMSTANCES WHERE CURB CONTINUES PAST POST 7.
3. CONCRETE CURB TYPE II SUBSIDIARY TO "METAL BEAM GUARD FENCE TRANSITION". IF NO ADDITIONAL CURB IS INDICATED BEYOND THE TRANSITION, THEN ANY CURB HEIGHT GREATER THAN 4" WILL BE TAPERED DOWN BEGINNING AT THE LAST 7 FT. POST TO A MAXIMUM HEIGHT OF 4" AT POST 7. IF SHOWN ELSEWHERE IN THE PLANS, ADDITIONAL CURB UNDERNEATH GUARDRAIL WILL BE PAID FOR BY THE LINEAR FOOT.
4. UNLESS OTHERWISE SHOWN IN THE PLANS, TRANSITIONS SHALL BE PLACED WITH THE BLOCKOUT FACE IN FRONT OF OR DIRECTLY ABOVE THE CURB FACE. SEE SECTION A-A.
5. FOR ROUND WOOD POST SYSTEMS, ALL ROUND WOOD POSTS SHALL BE 7 1/2" DIA. MINIMUM THROUGHOUT THE THRIE-BEAM TRANSITION.
6. THE TYPE OF POST (ROUND WOOD POST, RECTANGULAR WOOD POST OR STEEL POST) WILL BE AS SHOWN IN THE PLANS. REFER TO GF(31) STANDARD SHEET.
7. THE POST LENGTH SHALL BE MARKED ON ALL 7'- 0" LONG POSTS BY THE MANUFACTURER. THE MARK SHALL BE LOCATED WITHIN THE TOP 1 FT. REGION OF THE POST, AT LEAST 3/8" IN HEIGHT, AND VISIBLE AFTER INSTALLATION. WOODEN POSTS SHALL BE MARKED WITH A BRAND, AND STEEL POSTS WITH A STENCIL BEFORE GALVANIZING.
8. POSTS SHALL NOT BE SET IN CONCRETE, OF ANY DEPTH.
9. RAIL ELEMENTS SHALL MEET THE REQUIREMENTS OF ITEM 540, "METAL BEAM GUARD FENCE" EXCEPT AS MODIFIED ON THE PLANS. THE THRIE-BEAM TERMINAL CONNECTOR AND THE THRIE-BEAM TRANSITION TO W-BEAM SHALL BE OF THE SAME MATERIAL, BUT SHALL NOT BE LESS THAN 10 GAUGE. CONTRACTOR SHALL VERIFY THAT THE LOCATIONS OF BOLT HOLES MATCH THOSE IN THE THRIE-BEAM TERMINAL CONNECTOR PRIOR TO ORDERING MATERIALS.
10. BUTTON HEAD "POST BOLTS & NUTS" SHALL MEET THE REQUIREMENTS OF (ASTM A307), AND SHALL BE OF SUFFICIENT LENGTH TO EXTEND THROUGH THE FULL THICKNESS OF THE NUT AND 3/8" WASHER (FWC160) AND NOT MORE THAN 1" BEYOND IT. TRIM REMAINING BOLT LENGTH TO MEET REQUIRED LENGTH.
11. FITTINGS (BOLTS, NUTS, AND WASHERS) SHALL BE GALVANIZED IN ACCORDANCE WITH ITEM 445, "GALVANIZING". FITTINGS SHALL BE SUBSIDIARY TO THE BID ITEM.
12. CROWN SHALL BE WIDENED TO ACCOMMODATE TRANSITIONS.
13. WHERE SOLID ROCK IS ENCOUNTERED, CONTACT THE DESIGN DIVISION FOR ADDITIONAL GUIDANCE. (512) 416-2678
14. UNLESS OTHERWISE SHOWN IN THE PLANS, A COMPOSITE MATERIAL BLOCK THAT MEETS THE REQUIREMENTS OF DMS-7210, "COMPOSITE MATERIAL POSTS AND BLOCKS FOR METAL BEAM GUARD FENCE" MAY BE SUBSTITUTED FOR BLOCKS OF SIMILAR DIMENSIONS. TxDOT'S MATERIALS AND TESTS DIVISION MAINTAINS A MATERIAL PRODUCER LIST (MPL) FOR PRODUCERS OF MATERIALS CONFORMING TO DMS-7210. ONLY PRODUCERS ON THE MPL CAN FURNISH COMPOSITE MATERIAL BLOCKS.
15. REFER TO GF(31) STANDARD SHEET & BRIDGE RAILING DETAILS FOR ADDITIONAL DETAILS.
16. THE INSTALLATION OF THE TYPE II CURB IS CRITICAL FOR THE PERFORMANCE OF THE THRIE-BEAM TRANSITION SYSTEM. THE CURB PREVENTS (VEHICLE WHEEL SNAGGING) AT THE CONCRETE RAIL AND IS REQUIRED TO MEET MASH CRASH TEST CRITERIA.
17. IF CURB EXTENDS BEYOND POST 7, 25' OF NESTED W-BEAM GUARDRAIL SHALL BE INSTALLED BEYOND THE PAY LIMITS OF THRIE-BEAM TRANSITION SECTION. (SEE SHT.2). PAYMENT FOR THIS 25' SECTION WILL BE BY LINEAR FOOT, PAY ITEM "0540 6XXX MTL W-BEAM GD FEN (NESTED)(TIM POST)" OR "540 6XXX MTL W-BEAM GD FEN (NESTED)(STEEL POST)" AS APPLICABLE FOR POST TYPE. SEE SHT.2 FOR ADDITIONAL INFORMATION.

**HIGH-SPEED TRANSITION
SHEET 1 OF 2**

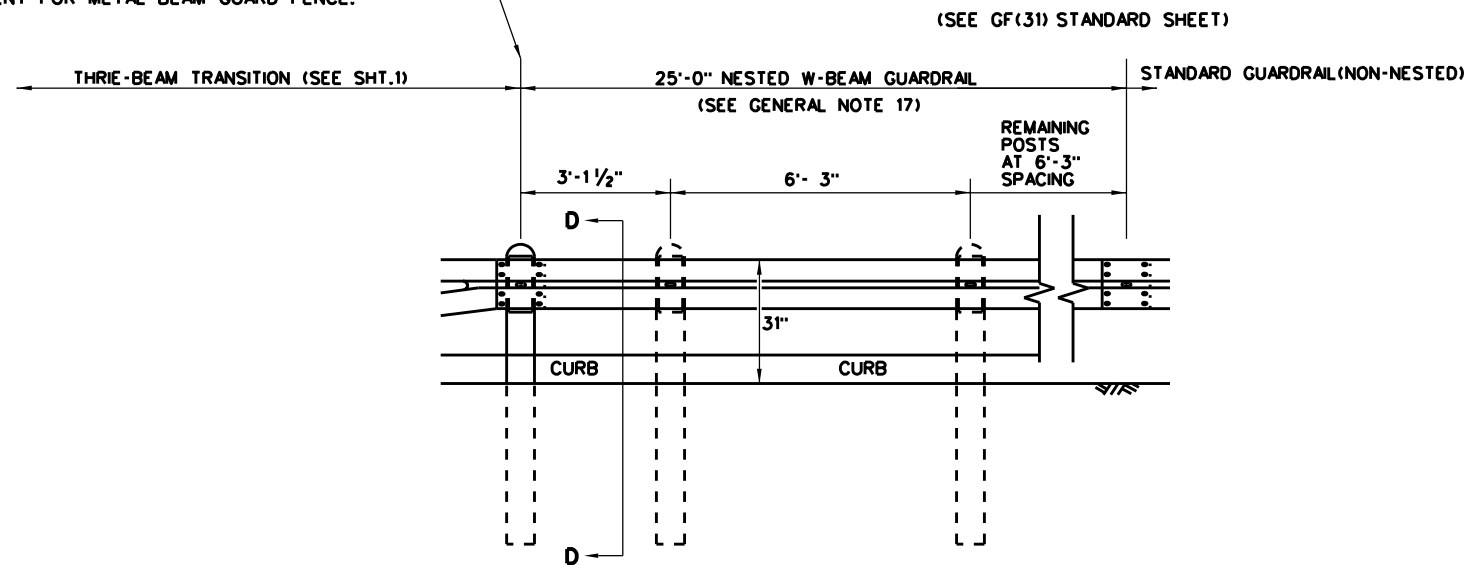
		Design Division Standard	
METAL BEAM GUARD FENCE THRIE-BEAM TRANSITION TL-3 MASH COMPLIANT GF(31)TR TL3-20			
FILE: gf31trtl320.dgn	DN: TxDOT	CK: KM	DW: VP
© TxDOT: NOVEMBER 2020	CONT SECT	JOB	HIGHWAY
REVISIONS	6460	99	001 IH20, etc.
DIST	COUNTY	SHEET NO.	
Abi	Taylor, ETC.	41	

DISCLAIMER: THE USE OF THIS STANDARD IS GOVERNED BY THE "TEXAS ENGINEERING PRACTICE ACT". NO WARRANTY OF ANY KIND IS MADE BY TxDOT FOR ANY PURPOSE WHATSOEVER. TxDOT ASSUMES NO RESPONSIBILITY FOR THE CONVERSION OF THIS STANDARD TO OTHER FORMATS OR FOR INCORRECT RESULTS OR DAMAGES RESULTING FROM ITS USE.

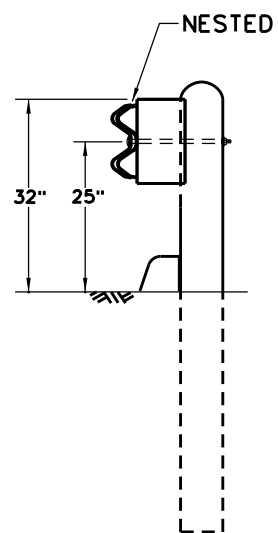
DATE:
 FILE:

REQUIRED ALTERNATIVE FOR CONTINUOUS CURB EXTENDING PAST POST 7 (SEE SHT. 1 GENERAL NOTE 17)

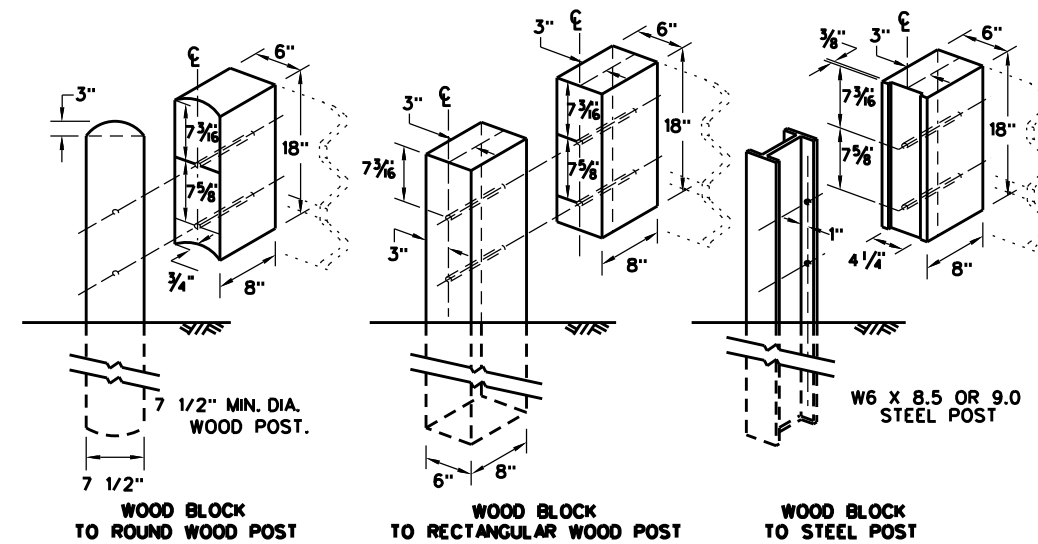
END PAYMENT FOR METAL BEAM GUARD FENCE TRANSITION.
 BEGIN PAYMENT FOR METAL BEAM GUARD FENCE.



ELEVATION VIEW



SECTION D-D



THRIE BEAM TRANSITION BLOCKOUT DETAILS

HIGH-SPEED TRANSITION

SHEET 2 OF 2

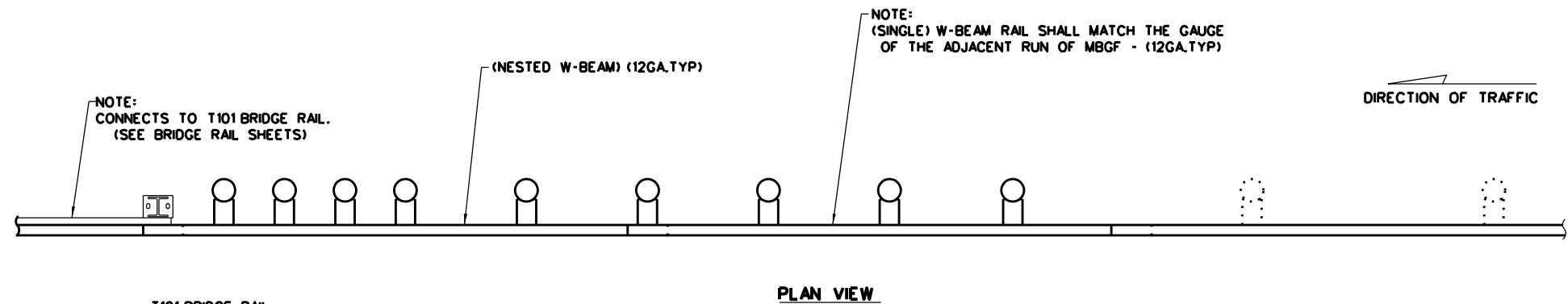


METAL BEAM GUARD FENCE
 THRIE-BEAM TRANSITION
 TL-3 MASH COMPLIANT
 GF(31)TR TL3-20

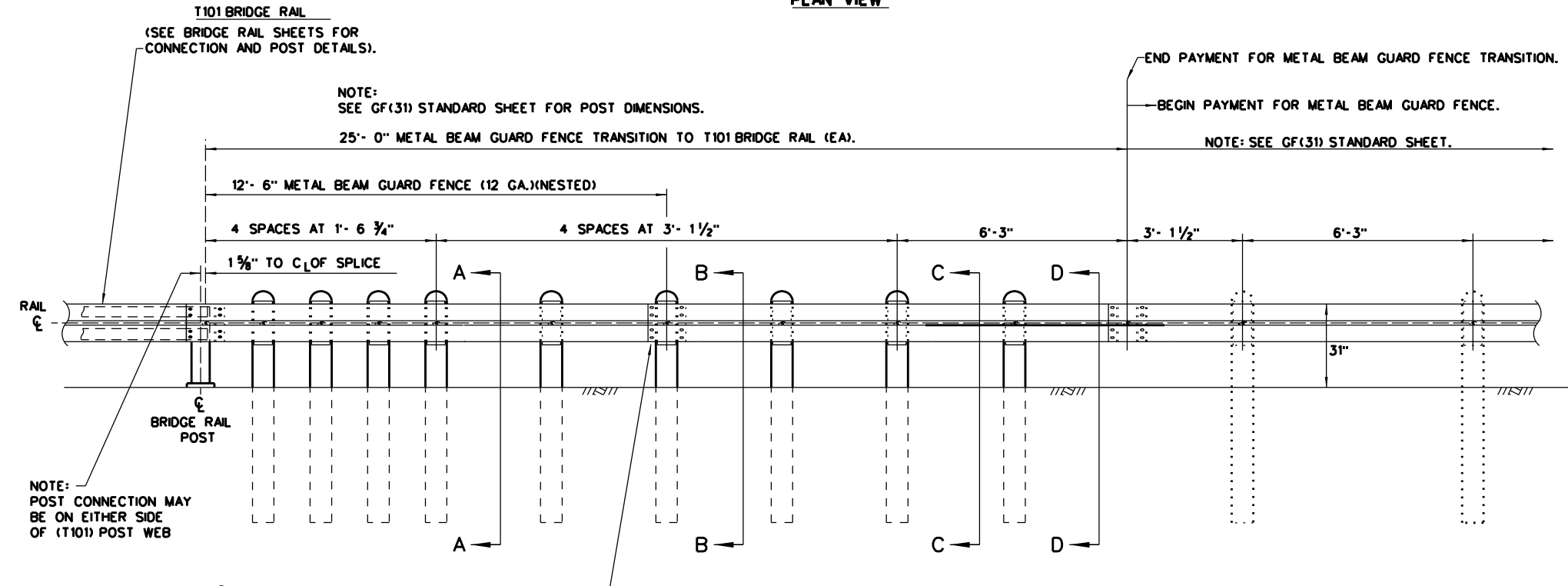
FILE: gf31trtl320.dgn	DN: TxDOT	CK: KM	DW: KM	CK: CGL/AG
© TxDOT: NOVEMBER 2020	CONT	SECT	JOB	HIGHWAY
REVISIONS	6460	99	001	IH20, etc.
	DIST	COUNTY	SHEET NO.	
	Abil	Taylor, ETC.	42	

DISCLAIMER: THE USE OF THIS STANDARD IS COVERED BY THE "TEXAS ENGINEERING PRACTICE ACT". NO WARRANTY OF ANY KIND IS MADE BY TxDOT FOR ANY PURPOSE WHATSOEVER. TxDOT ASSUMES NO RESPONSIBILITY FOR THE CONVERSION OF THIS STANDARD TO OTHER FORMATS OR FOR INCORRECT RESULTS OR DAMAGES RESULTING FROM ITS USE.

DATE: _____
 FILE: _____



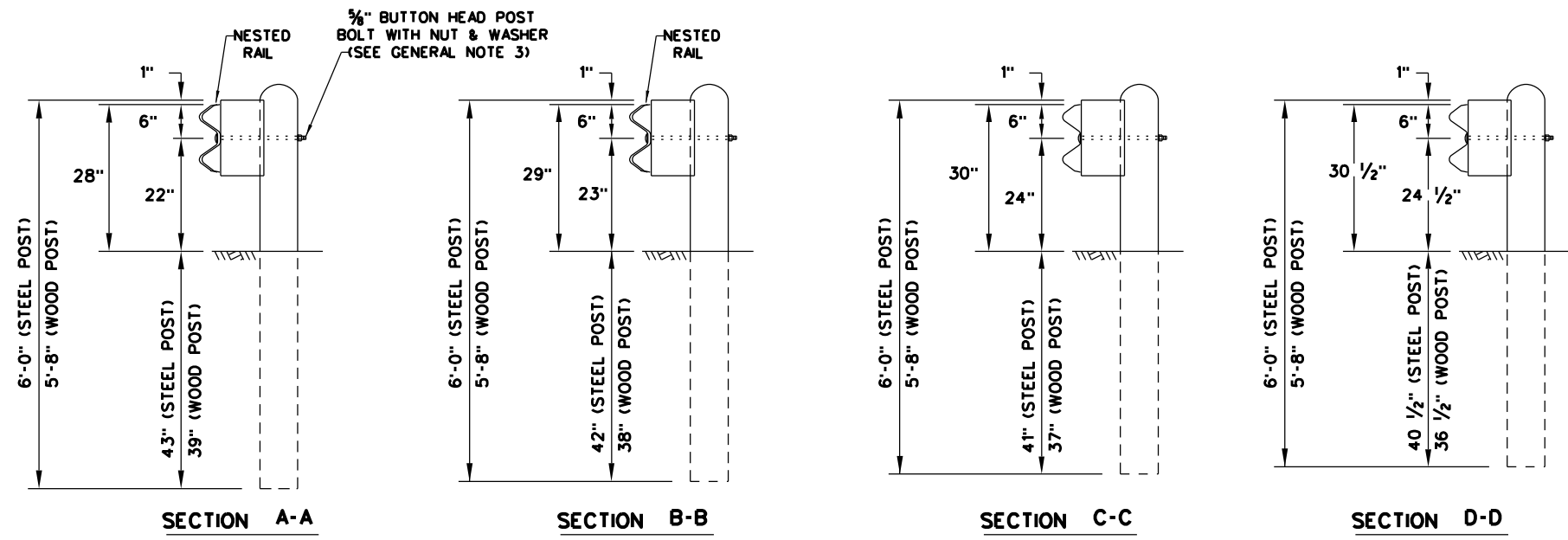
- GENERAL NOTES**
1. THE TYPE OF POST (ROUND WOOD POST, RECTANGULAR WOOD POST, OR STEEL POST) WILL BE AS SHOWN IN THE PLANS. THE EXACT POSITION OF MBGF SHALL BE SHOWN IN THE PLANS OR AS DIRECTED BY THE ENGINEER. STEEL POSTS TO BE GALVANIZED IN ACCORDANCE WITH ITEM 445, "GALVANIZING."
 2. RAIL ELEMENT SHALL MEET THE REQUIREMENTS OF ITEM 540, "METAL BEAM GUARD FENCE" EXCEPT AS MODIFIED IN THE PLANS. THE CONTRACTOR MAY FURNISH RAIL ELEMENTS OF 25'-0", OR 12'-6" (NOM.) LENGTHS. RAIL ELEMENTS MAY HAVE SLOTTED HOLES AT 3'-1 1/2" C-C OR 6'-3" C-C. A SPECIAL LENGTH OF RAIL MAY BE MANUFACTURED TO ACCOMMODATE THE TRANSITION SECTIONS OF GUARDRAIL.
 3. BUTTON HEAD "POST" BOLTS (ASTM A307 GR.A) SHALL BE OF SUFFICIENT LENGTH TO EXTEND THROUGH THE FULL THICKNESS OF THE NUT (ASTM A563) AND 3/8" ROUND WASHER (ASTM F436) AND NOT MORE THAN 1" BEYOND IT. BUTTON HEAD "SPLICE" BOLTS (ASTM A307) ARE 3/8" X 1-1/4" WITH 3/8" NUTS (ASTM A563).
 4. FITTINGS (BOLTS, NUTS, AND WASHERS) SHALL BE GALVANIZED IN ACCORDANCE WITH ITEM 445, "GALVANIZING." FITTINGS SHALL BE SUBSIDIARY TO THE BID ITEM REQUIRING CONSTRUCTION OF THE TRANSITION.
 5. CROWN SHALL BE WIDENED TO ACCOMMODATE THE METAL BEAM GUARD FENCE.
 6. WHERE SOLID ROCK IS ENCOUNTERED, CONTACT THE DESIGN DIVISION FOR ADDITIONAL GUIDANCE. (512) 416-2678
 7. POSTS SHALL NOT BE SET IN CONCRETE.
 8. UNLESS OTHERWISE SHOWN IN THE PLANS, A COMPOSITE MATERIAL BLOCK THAT MEETS THE REQUIREMENTS OF DMS-7210, "COMPOSITE MATERIAL POSTS AND BLOCKS FOR METAL BEAM GUARD FENCE" MAY BE SUBSTITUTED FOR BLOCKS OF SIMILAR DIMENSIONS. THE CONSTRUCTION DIVISION, TxDOT MAINTAINS A MATERIAL PRODUCER LIST (MPL) FOR PRODUCERS OF MATERIALS CONFORMING TO DMS-7210. ONLY PRODUCERS ON THE MPL MAY FURNISH COMPOSITE MATERIAL BLOCKS.
 9. REFER TO STANDARD GF(31) AND APPLICABLE BRIDGE RAILING STANDARD FOR ADDITIONAL DETAILS.



(8) 5/8" DIA. X 2" GUARDRAIL SPLICE BOLTS (FBB02)
 WITH 3/8" GUARDRAIL NUTS (ASTM A563)
 (SEE GENERAL NOTE 3)

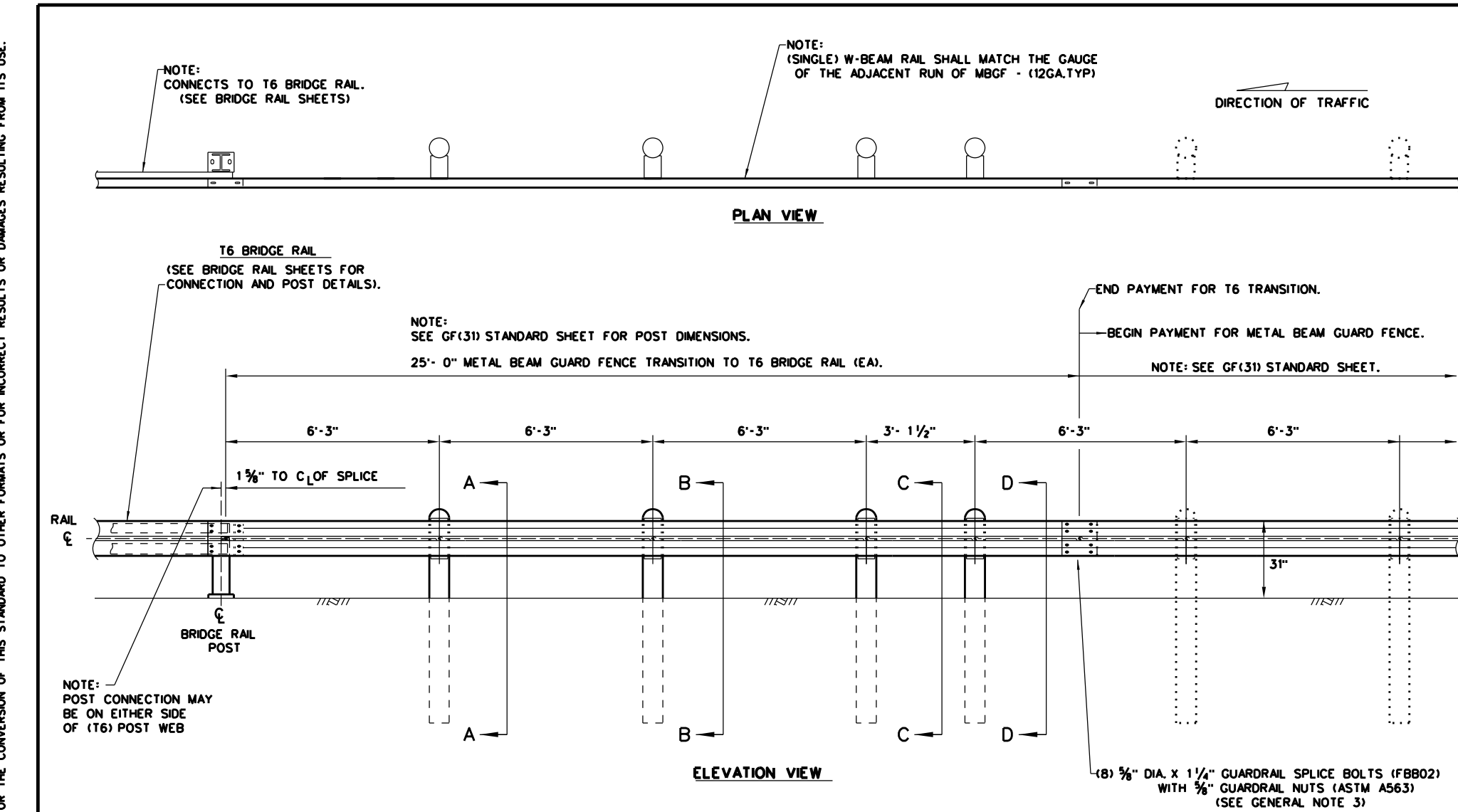
ELEVATION VIEW

* "WOOD" INDICATES DIMENSIONS FOR BOTH ROUND AND RECTANGULAR WOOD POST SYSTEMS.



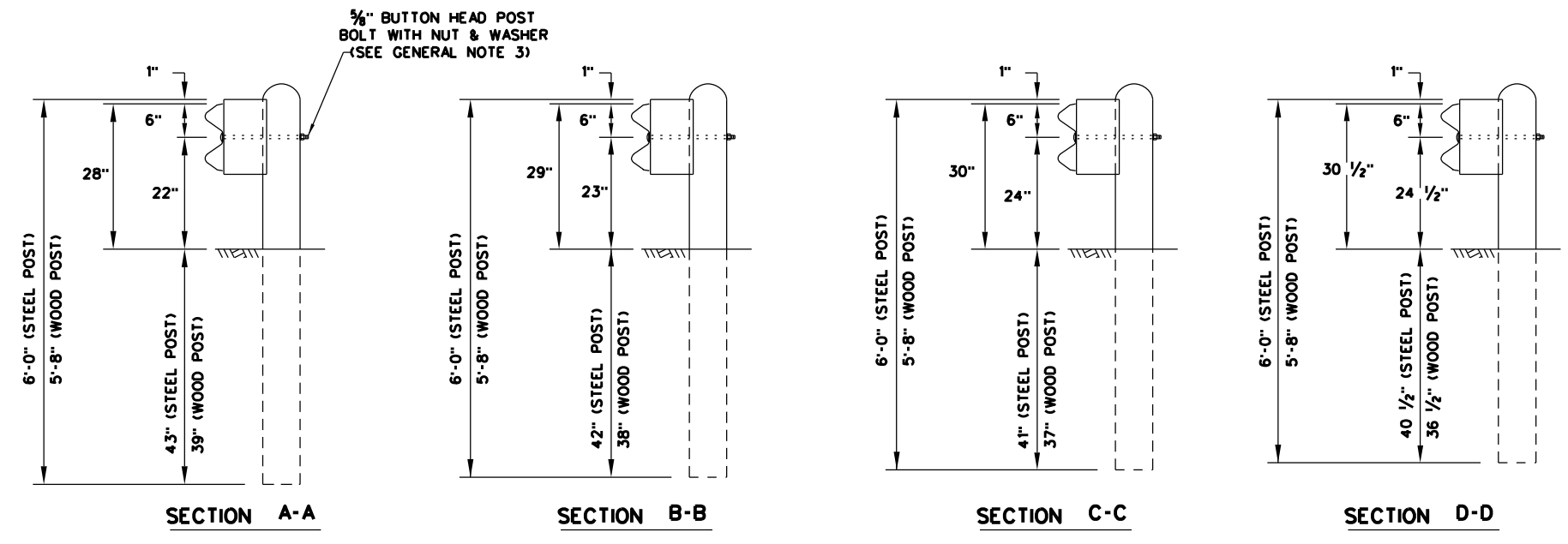
 Texas Department of Transportation		Design Division Standard		
<h2>METAL BEAM GUARD FENCE TRANSITION (T101)</h2> <h3>GF(31)T101-19</h3>				
FILE: gf31t10119	DN: TxDOT	CK: KM	DW: VP	CK: CGL/AG
© TxDOT: NOVEMBER 2019	CONT	SECT	JOB	HIGHWAY
REVISIONS	6460	99	001	I#20, etc.
	DIST	COUNTY	SHEET NO.	
	Abl	Taylor, ETC.	43	

DISCLAIMER: THE USE OF THIS STANDARD IS COVERED BY THE "TEXAS ENGINEERING PRACTICE ACT". NO WARRANTY OF ANY KIND IS MADE BY TXDOT FOR ANY PURPOSE WHATSOEVER. TXDOT ASSUMES NO RESPONSIBILITY FOR THE CONVERSION OF THIS STANDARD TO OTHER FORMATS OR FOR INCORRECT RESULTS OR DAMAGES RESULTING FROM ITS USE.



- GENERAL NOTES**
1. THE TYPE OF POST (ROUND WOOD POST, RECTANGULAR WOOD POST, OR STEEL POST) WILL BE AS SHOWN IN THE PLANS. THE EXACT POSITION OF MBGF SHALL BE SHOWN IN THE PLANS OR AS DIRECTED BY THE ENGINEER. STEEL POSTS TO BE GALVANIZED IN ACCORDANCE WITH ITEM 445, "GALVANIZING."
 2. RAIL ELEMENT SHALL MEET THE REQUIREMENTS OF ITEM 540, "METAL BEAM GUARD FENCE" EXCEPT AS MODIFIED IN THE PLANS. THE CONTRACTOR MAY FURNISH RAIL ELEMENTS OF 25'-0", OR 12'-6" (NOM.) LENGTHS. RAIL ELEMENTS MAY HAVE SLOTTED HOLES AT 3'-1/2" C-C OR 6'-3" C-C. A SPECIAL LENGTH OF RAIL MAY BE MANUFACTURED TO ACCOMMODATE THE TRANSITION SECTIONS OF GUARDRAIL.
 3. BUTTON HEAD "POST" BOLTS (ASTM A307 GR.A) SHALL BE OF SUFFICIENT LENGTH TO EXTEND THROUGH THE FULL THICKNESS OF THE NUT (ASTM A563) AND 3/8" ROUND WASHER (ASTM F436) AND NOT MORE THAN 1" BEYOND IT. BUTTON HEAD "SPLICE" BOLTS (ASTM A307) ARE 3/8" X 1-1/4" WITH 3/8" NUTS (ASTM A563).
 4. FITTINGS (BOLTS, NUTS, AND WASHERS) SHALL BE GALVANIZED IN ACCORDANCE WITH ITEM 445, "GALVANIZING." FITTINGS SHALL BE SUBSIDIARY TO THE BID ITEM REQUIRING CONSTRUCTION OF THE TRANSITION.
 5. CROWN SHALL BE WIDENED TO ACCOMMODATE THE METAL BEAM GUARD FENCE.
 6. WHERE SOLID ROCK IS ENCOUNTERED, CONTACT THE DESIGN DIVISION FOR ADDITIONAL GUIDANCE. (512) 416-2678
 7. POSTS SHALL NOT BE SET IN CONCRETE.
 8. UNLESS OTHERWISE SHOWN IN THE PLANS, A COMPOSITE MATERIAL BLOCK THAT MEETS THE REQUIREMENTS OF DMS-7210, "COMPOSITE MATERIAL POSTS AND BLOCKS FOR METAL BEAM GUARD FENCE" MAY BE SUBSTITUTED FOR BLOCKS OF SIMILAR DIMENSIONS. THE CONSTRUCTION DIVISION, TXDOT MAINTAINS A MATERIAL PRODUCER LIST (MPL) FOR PRODUCERS OF MATERIALS CONFORMING TO DMS-7210. ONLY PRODUCERS ON THE MPL MAY FURNISH COMPOSITE MATERIAL BLOCKS.
 9. REFER TO STANDARD GF(31) & APPLICABLE BRIDGE RAILING STANDARD FOR ADDITIONAL DETAILS.

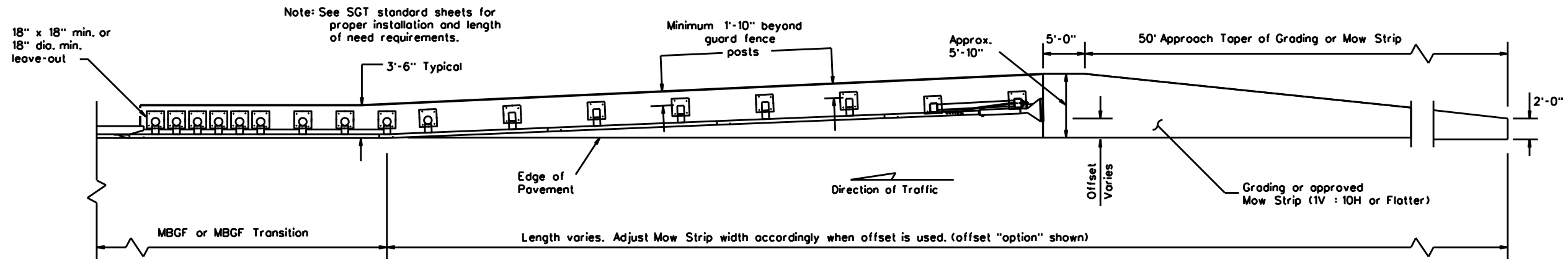
* "WOOD" INDICATES DIMENSIONS FOR BOTH ROUND AND RECTANGULAR WOOD POST SYSTEMS.



DATE:
FILE:

		Design Division Standard	
METAL BEAM GUARD FENCE TRANSITION (T6) GF(31)T6-19			
FILE: g1311619.dgn	DN: TxDOT	CK: KM	DW: VP
© TXDOT: NOVEMBER 2019	CONT: 6460	SECT: 99	JOB: 001
REVISIONS	DIST: Abil		COUNTY: Taylor, ETC.
			SHEET NO.: 44

DISCLAIMER: THE USE OF THIS STANDARD IS COVERED BY THE "TEXAS ENGINEERING PRACTICE ACT". NO WARRANTY OF ANY KIND IS MADE BY TxDOT FOR ANY PURPOSE WHATSOEVER. TxDOT ASSUMES NO RESPONSIBILITY FOR THE CONVERSION OF THIS STANDARD TO OTHER FORMATS OR FOR INCORRECT RESULTS OR DAMAGES RESULTING FROM ITS USE.

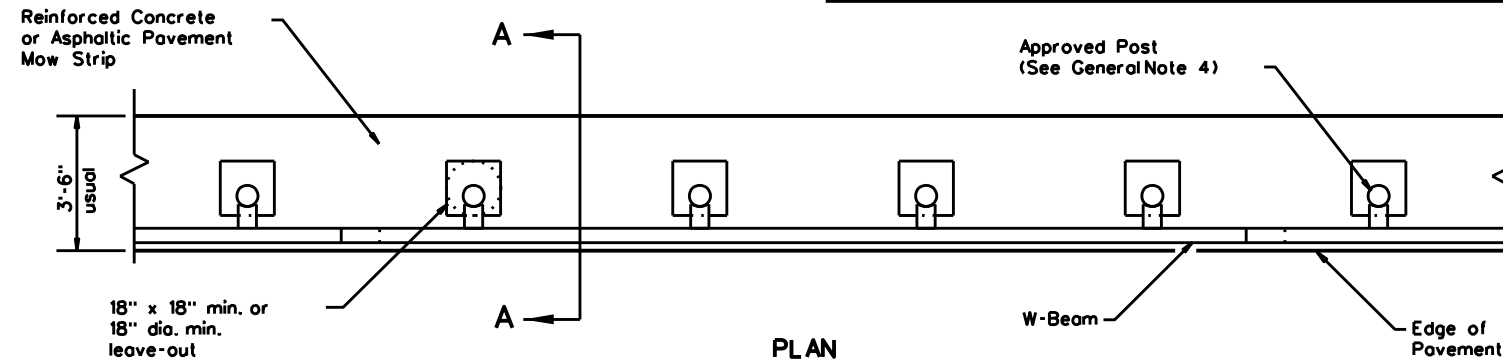


Note: See SGT standard sheets for proper installation and length of need requirements.

GRADING AND MOW STRIP AT GUARDRAIL END TREATMENTS

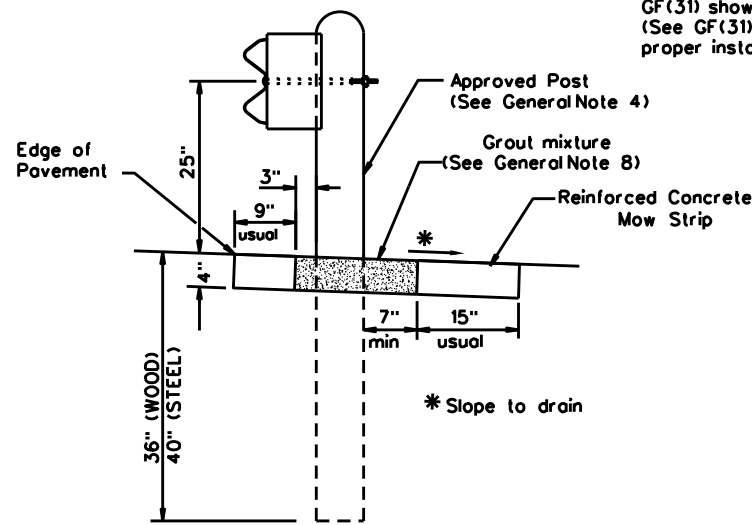
Note: Site Condition(s)

Site conditions may exist where grading is required for the proper installation of metal guard fence and end treatments. Approach grading or mow strip may be decreased or eliminated, as directed by the Engineer.



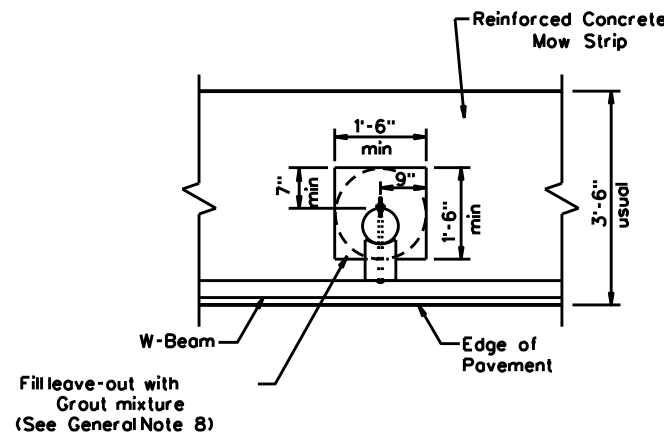
PLAN

GF(31) shown with Mow Strip (See GF(31) standard sheet for proper installation)



SECTION A-A

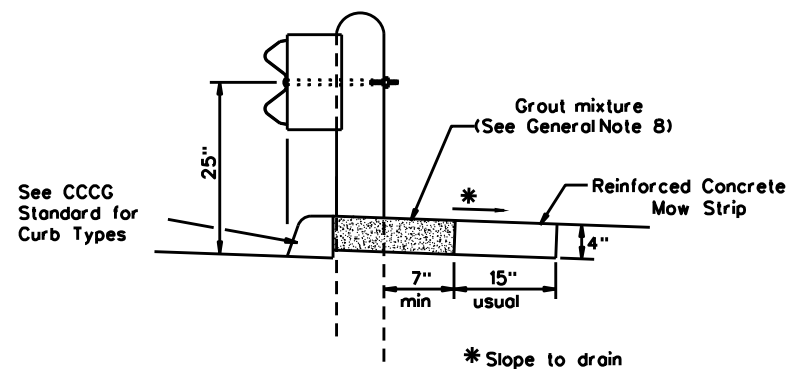
Typical



MOW STRIP DETAIL

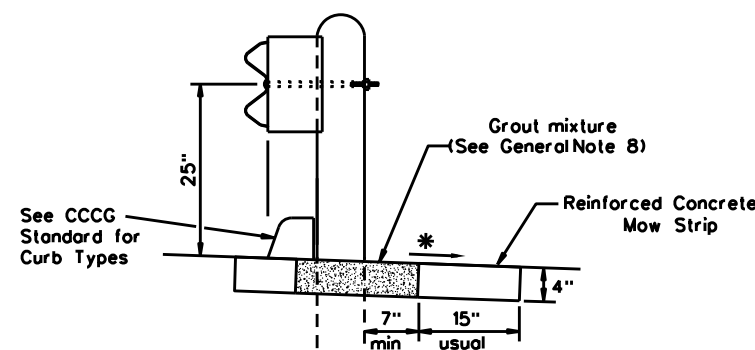
Reinforced Concrete Mow Strip with 18" x 18" Square or 18" Dia. minimum leave-out.

- GENERAL NOTES**
1. This mow strip design is for use with metal beam guard fence, guard fence transitions, and guard fence end treatments. See applicable GF(31) MBSG or GF(31) Transition Standard sheet for additional information.
 2. Mow strips shall be reinforced concrete with (wire mesh or synthetic fiber), as shown on the plans and will be paid for under the pertinent bid item. Reinforced concrete shall be placed in accordance with Item 432, "Riprap." The use of the synthetic fiber in lieu of steel reinforcing is acceptable, provided the fiber producer is on the Department Material Producer List (MPL), maintained by TxDOT, Construction Division.
 3. The leave-out behind the post shall be a minimum of 7".
 4. Only steel (W6 x 8.5 or W6 x 9.0), or 7 1/2" Dia. round wood posts are acceptable for use in the mow strip. See GF(31) Standard for additional details.
 5. Other curb placement options may be used. Curbs are not considered part of the mow strip and will be paid for under other pertinent bid item.
 6. Thickness of the mow strip will be 4".
 7. The limits of payment for reinforced concrete will include leave-outs for the posts.
 8. The leave-outs shall be filled with a Grout mixture consisting of: 2719 pounds sand, 188 pounds Type 1 or II cement, and 550 pounds of water per cubic yard, with a 28-day compressive strength of approximately 230 psi or less. Provide grout with a consistency that will flow into and completely fill all voids. Due to auger size, larger leave-out dimensions are acceptable from both an impact performance and maintenance repair standpoint (Suggested Maximum leave-out of 20"). Payment for furnishing and placing the grout mixture will be subsidiary to the pay item of riprap mow strip.



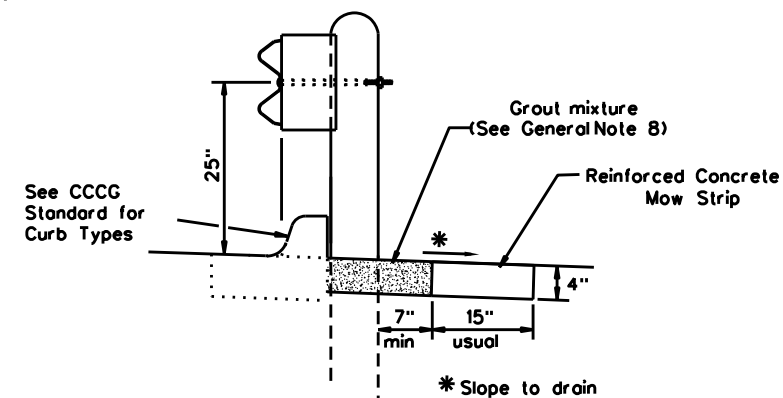
CURB OPTION (1)

This option will increase the post embedment throughout the system.



CURB OPTION (2)

Curb shown on top of mow strip

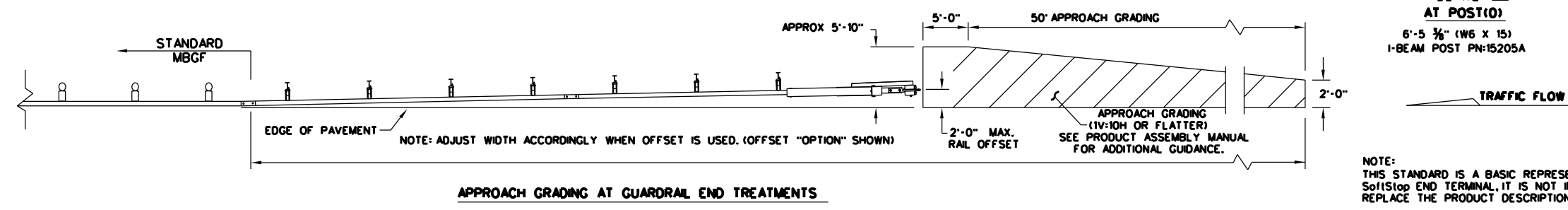
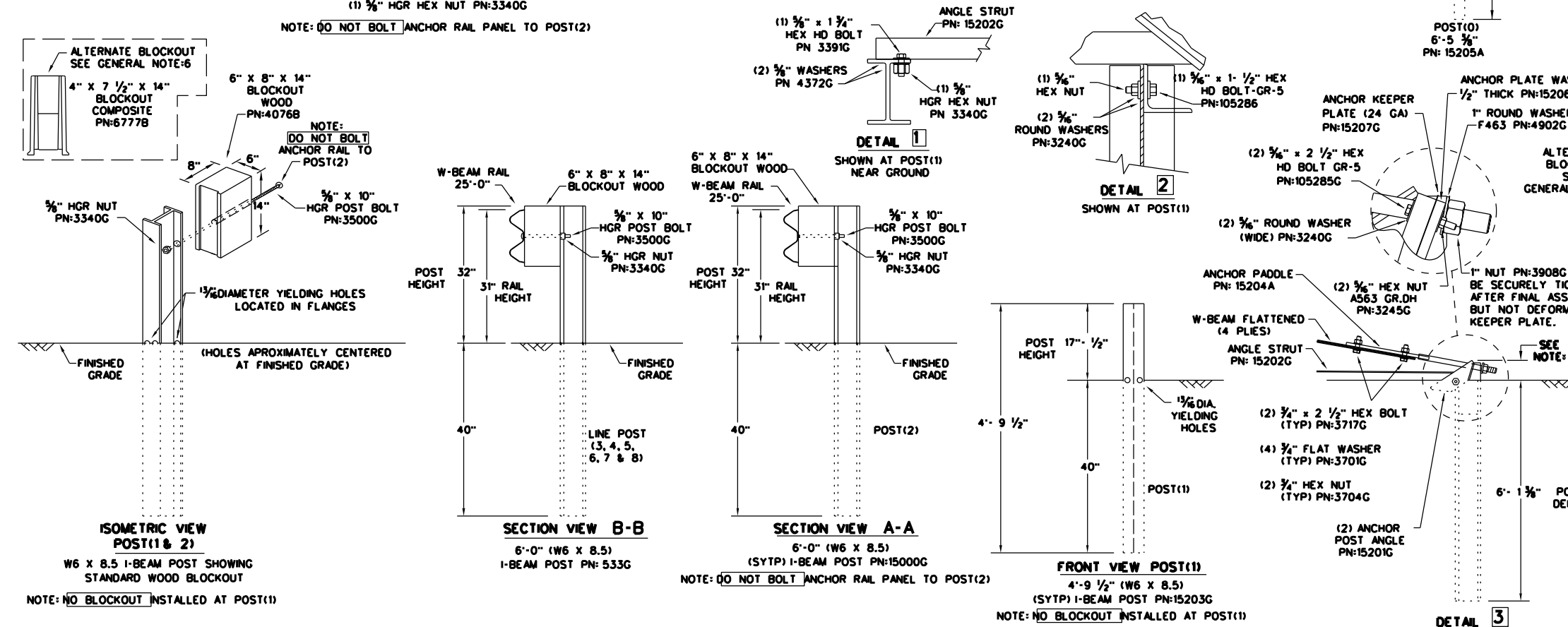
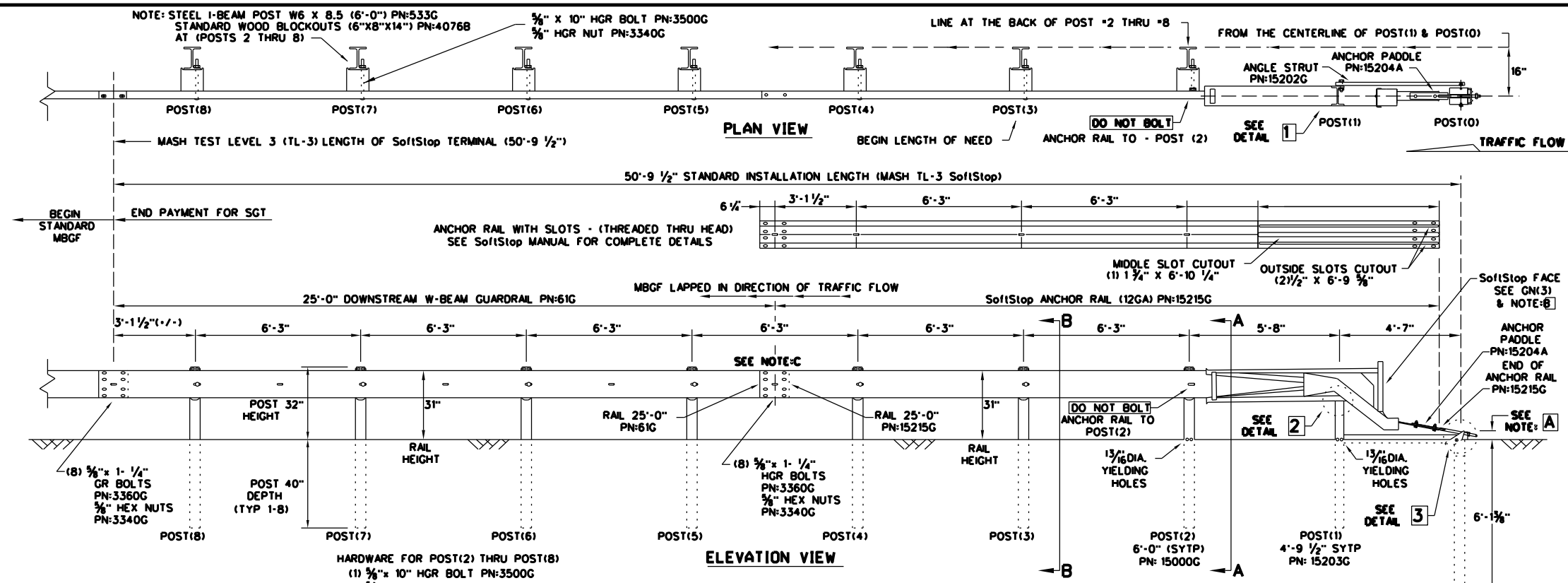


CURB OPTION (3)

		Design Division Standard	
METAL BEAM GUARD FENCE (MOW STRIP) TL-3 MASH COMPLIANT GF(31)MS-19			
FILE: gf31ms19.dgn	DN: TxDOT	CK: KM	DW: VP
© TxDOT: NOVEMBER 2019	CONT	SECT	JOB
REVISIONS	6460	99	001
DIST	COUNTY		SHEET NO.
Abi	Taylor, ETC.		45

DATE: FILE:

DISCLAIMER: The use of this standard is governed by the "Texas Engineering Practice Act". No warranty of any kind is made by TxDOT for any purpose whatsoever. TxDOT assumes no responsibility for the conversion of this standard to other formats or for incorrect results or damages resulting from its use.



- GENERAL NOTES**
- FOR SPECIFIC INFORMATION REGARDING INSTALLATION AND TECHNICAL GUIDANCE OF THE SYSTEM, CONTACT: TRINITY HIGHWAY AT 18881323-6374, 2525 N. STEMMONS FREEWAY, DALLAS, TX 75207
 - FOR INSTALLATION, REPAIR AND MAINTENANCE REFER TO THE: SoftStop END TERMINAL, PRODUCT DESCRIPTION ASSEMBLY MANUAL, PN:6202378
 - APPLY HIGH INTENSITY REFLECTIVE SHEETING, "OBJECT MARKER" ON THE FRONT FACE OF THE DEVICE PER MANUFACTURER'S RECOMMENDATIONS. OBJECT MARKER SHALL CONFORM TO THE STANDARDS REQUIRED IN TEXAS MUTCD.
 - FOR POST (LEAVE-OUT) INSTALLATION AND GUIDANCE SEE TxDOT'S LATEST ROADWAY MOW STRIP STANDARD.
 - HARDWARE (BOLTS, NUTS, & WASHERS) SHALL BE GALVANIZED IN ACCORDANCE WITH ITEM 445, "GALVANIZING". FITTINGS SHALL BE SUBSIDIARY TO THE BID ITEM.
 - A COMPOSITE MATERIAL BLOCKOUT THAT MEETS THE REQUIREMENTS OF DMS-7210, MAY BE SUBSTITUTED FOR BLOCKOUTS OF SIMILAR DIMENSIONS. SEE CONSTRUCTION DIVISION MATERIAL PRODUCER LIST (MPL) FOR CERTIFIED PRODUCERS.
 - IF SOLID ROCK IS ENCOUNTERED SEE THE MANUFACTURER'S INSTALLATION MANUAL AND REFER TO THE LATEST ROADWAY MBSGF STANDARD FOR INSTALLATION GUIDANCE.
 - POSTS SHALL NOT BE SET IN CONCRETE.
 - IT IS ACCEPTABLE TO INSTALL THE SoftStop IMPACT HEAD PARALLEL TO THE GRADE LINE OR WITH AN UPWARD TILT.
 - DO NOT ATTACH THE SoftStop SYSTEM DIRECTLY TO A RIGID BARRIER.
 - UNDER NO CIRCUMSTANCES SHALL THE GUARDRAIL WITHIN THE SoftStop SYSTEM BE CURVED.
 - A FLARE RATE OF UP TO 25:1 MAY BE USED TO PREVENT THE TERMINAL HEAD FROM ENCRoACHING ON THE SHOULDER. THE FLARE MAY BE DECREASED OR ELIMINATED FOR SPECIFIC INSTALLATIONS, IF DIRECTED BY THE ENGINEER.

NOTE-A THE INSTALLATION HEIGHT OF FULLY ASSEMBLED ANCHOR POST WILL VARY FROM 3-3/4" MIN. TO 4" MAX. ABOVE FINISHED GRADE.

NOTE-B PART PN:5852B RIGHT-SIDE (HIGH INTENSITY REFLECTIVE SHEETING) PART PN:5851B LEFT-SIDE (HIGH INTENSITY REFLECTIVE SHEETING)

NOTE-C W-BEAM SPLICE LOCATED BETWEEN LINE POST(4) AND LINE POST(5) GUARDRAIL PANEL 25'-0" PN:61G ANCHOR RAIL 25'-0" PN:15215G LAP GUARDRAIL IN DIRECTION OF TRAFFIC FLOW.

PART	QTY	MAIN SYSTEM COMPONENTS
6202378	1	PRODUCT DESCRIPTION ASSEMBLY MANUAL (LATEST REV.)
15208A	1	SoftStop HEAD (SEE MANUAL FOR RIGHT-LEFT APPROACH)
15215G	1	SoftStop ANCHOR RAIL (12GA) WITH CUTOUT SLOTS
61G	1	SoftStop DOWNSTREAM W-BEAM RAIL (12GA) (25'-0")
15205A	1	POST #0 - ANCHOR POST (6'-5 1/8")
15203G	1	POST #1 - (SYTP) (4'-9 1/2")
15000G	1	POST #2 - (SYTP) (6'-0")
533G	6	POST #3 THRU #8 - I-BEAM (W6 x 8.5) (6'-0")
4076B	7	BLOCKOUT - WOOD (ROUTED) (6" x 8" x 14")
6777B	7	BLOCKOUT - COMPOSITE (4" x 7 1/2" x 14")
15204A	1	ANCHOR PADDL
15207G	1	ANCHOR KEEPER PLATE (24 GA)
15206G	1	ANCHOR PLATE WASHER (1/2" THICK)
15201G	2	ANCHOR POST ANGLE (10" LONG)
15202G	1	ANGLE STRUT

HARDWARE		
4902G	1	1" ROUND WASHER F436
3908G	1	1" HEAVY HEX NUT A563 GR.DH
3717G	2	3/4" x 2 1/2" HEX BOLT A325
3701G	4	3/4" ROUND WASHER F436
3704G	2	3/4" HEAVY HEX NUT A563 GR.DH
3360G	16	5/8" x 1 1/4" W-BEAM RAIL SPLICE BOLTS HGR
3340G	25	5/8" W-BEAM RAIL SPLICE NUTS HGR
3500G	7	3/8" x 10" HGR POST BOLT A307
3391G	1	5/8" x 1 3/4" HEX HD BOLT A325
4489G	1	3/8" x 9" HEX HD BOLT A325
4372G	4	3/8" WASHER F436
105285G	2	3/8" x 2 1/2" HEX HD BOLT GR-5
105286G	1	3/8" x 1 1/2" HEX HD BOLT GR-5
3240G	6	3/8" ROUND WASHER (WIDE)
3245G	3	3/8" HEX NUT A563 GR.DH
5852B	1	HIGH INTENSITY REFLECTIVE SHEETING - SEE NOTE-B

Texas Department of Transportation
Design Division Standard

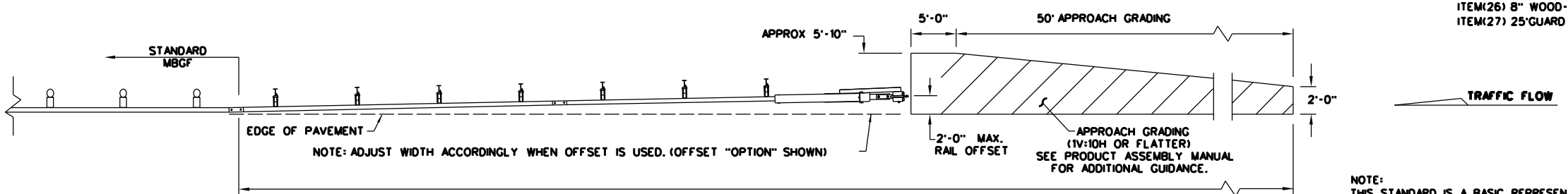
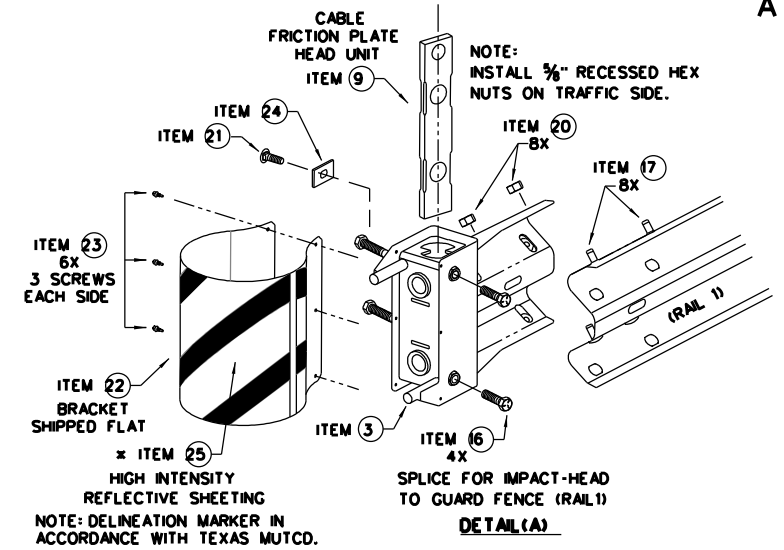
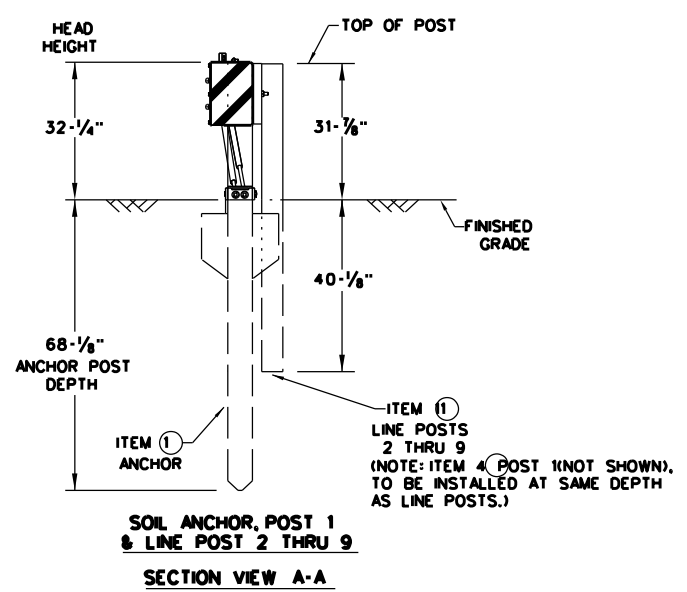
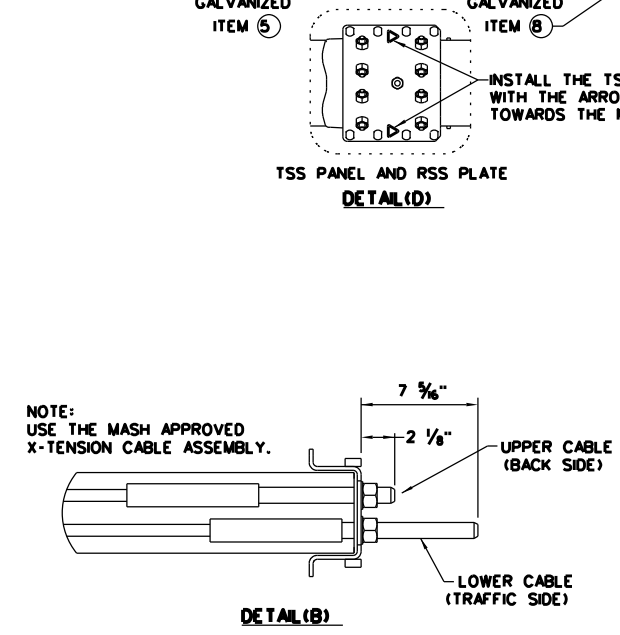
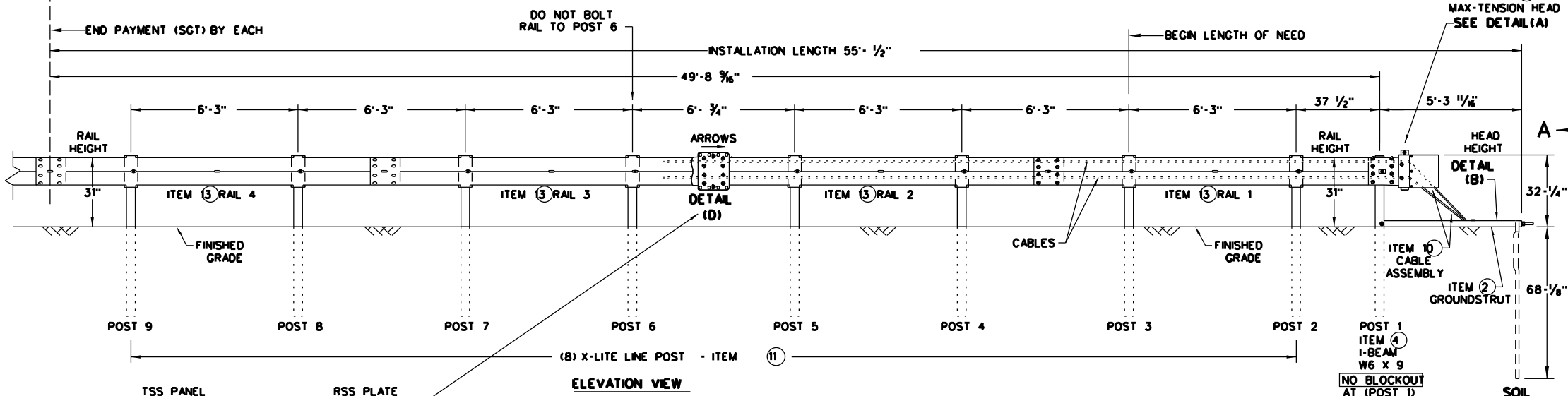
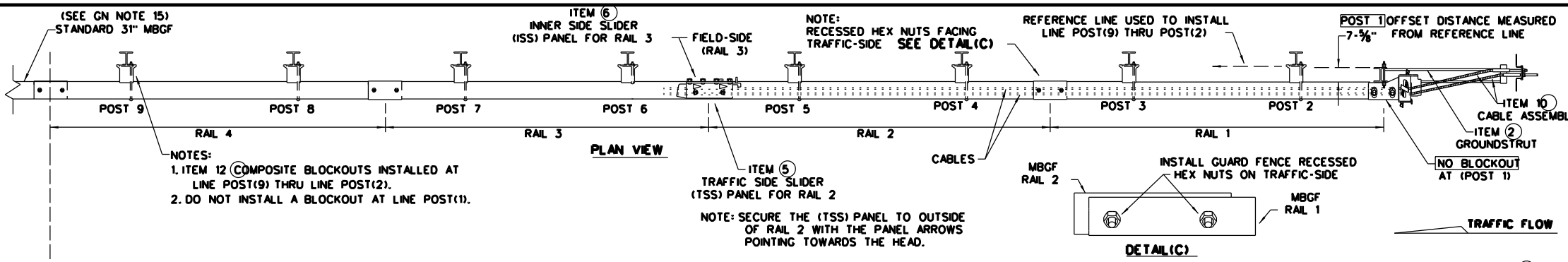
**TRINITY HIGHWAY
SOFTSTOP END TERMINAL
MASH - TL-3
SGT(10S)31-16**

FILE: sgt10s3116	DN: TxDOT	CK: KM	DW: VP	CK: MB/VP
©TxDOT: JULY 2016	CONT: 6460	SECT: 99	JOB: 001	HIGHWAY: IH20, etc.
REVISIONS	DIST: Abil	COUNTY: Taylor, ETC.	SHEET NO. 46	

NOTE: THIS STANDARD IS A BASIC REPRESENTATION OF THE SoftStop END TERMINAL, IT IS NOT INTENDED TO REPLACE THE PRODUCT DESCRIPTION ASSEMBLY MANUAL.

DISCLAIMER: The use of this standard is governed by the "Texas Engineering Practice Act". No warranty of any kind is made by TxDOT for any purpose whatsoever. TxDOT assumes no responsibility for the conversion of this standard to other formats or for incorrect results or damages resulting from its use.

DATE: FILE:



GENERAL NOTES

- FOR SPECIFIC INFORMATION REGARDING INSTALLATION AND TECHNICAL GUIDANCE OF THE SYSTEM, CONTACT: LINDSAY TRANSPORTATION SOLUTIONS (LTS) - BARRIER SYSTEMS, INC. AT (707) 374-6800
- FOR INSTALLATION, REPAIR, & MAINTENANCE REFER TO THE: MAX-TENSION INSTALLATION INSTRUCTION MANUAL, P/N MANMAX REV D (ECN 3516).
- APPLY HIGH INTENSITY REFLECTIVE SHEETING, "OBJECT MARKER" ON THE FRONT FACE OF THE DEVICE PER MANUFACTURER'S RECOMMENDATIONS. OBJECT MARKER SHALL CONFORM TO THE STANDARDS REQUIRED IN TEXAS MUTCD.
- FOR POST (LEAVE-OUT) INSTALLATION AND GUIDANCE SEE TxDOT'S LATEST ROADWAY MOW STRIP STANDARD.
- ALL STEEL COMPONENTS ARE GALVANIZED PER ASTM A123 OR EQUIVALENT UNLESS OTHERWISE STATED.
- SYSTEM SHOWN USING STEEL WIDE FLANGE POST WITH COMPOSITE BLOCKOUTS.
- COMPOSITE MATERIAL BLOCKOUT THAT MEETS THE REQUIREMENTS OF DMS-7210, MAY BE SUBSTITUTED FOR BLOCKOUTS SIMILAR DIMENSIONS. SEE CONSTRUCTION DIVISION MATERIAL PRODUCER LIST (MPL) FOR CERTIFIED PRODUCERS.
- REFER TO INSTALLATION MANUAL FOR SPECIFIC PANEL LAPPING GUIDANCE.
- IF SOLID ROCK IS ENCOUNTERED SEE THE MANUFACTURER'S INSTALLATION MANUAL FOR INSTALLATION GUIDANCE.
- POSTS SHALL NOT BE SET IN CONCRETE.
- A DRIVING CAP WITH A TIMBER OR PLASTIC INSERT SHALL BE USED WHEN DRIVING POST TO PREVENT DAMAGE TO THE GALVANIZING ON TOP OF THE POST.
- MAX-TENSION SYSTEM SHALL NEVER BE INSTALLED WITHIN A CURVED SECTION OF GUARDRAIL.
- IF A DELINEATION MARKER IS REQUIRED, MARKER SHALL BE IN ACCORDANCE WITH TEXAS MUTCD.
- THE SYSTEM IS SHOWN WITH 12'-6" MBSF PANELS, 25'-0" MBSF PANELS ARE ALSO ALLOWED.
- A MINIMUM OF 12'-6" OF 12GA. MBSF IS REQUIRED IMMEDIATELY DOWNSTREAM OF THE MAX-TENSION SYSTEM.

ITEM #	PART NUMBER	DESCRIPTION	QTY
1	BSI-1610060-00	SOIL ANCHOR - GALVANIZED	1
2	BSI-1610061-00	GROUND STRUT - GALVANIZED	1
3	BSI-1610062-00	MAX-TENSION IMPACT HEAD	1
4	BSI-1610063-00	W6x9 I-BEAM POST 6FT.-GALVANIZED	1
5	BSI-1610064-00	TSS PANEL - TRAFFIC SIDE SLIDER	1
6	BSI-1610065-00	ISS PANEL - INNER SIDE SLIDER	1
7	BSI-1610066-00	TOOTH - GEOMET	1
8	BSI-1610067-00	RSS PLATE - REAR SIDE SLIDER	1
9	B061058	CABLE FRICTION PLATE - HEAD UNIT	1
10	BSI-1610069-00	CABLE ASSEMBLY - MASH X-TENSION	2
11	BSI-1012078-00	X-LITE LINE POST-GALVANIZED	8
12	B090534	8" W-BEAM COMPOSITE-BLOCKOUT XT110	8
13	BSI-4004386	12'-6" W-BEAM GUARD FENCE PANELS 12GA.	4
14	BSI-1102027-00	X-LITE SQUARE WASHER	1
15	BSI-2001886	3/8" x 7" THREAD BOLT HH (GR.5)GEOMET	1
16	BSI-2001885	3/4" x 3" ALL-THREAD BOLT HH (GR.5)GEOMET	4
17	4001115	3/8" x 1 1/4" GUARD FENCE BOLTS (GR.2)MGAL	48
18	2001840	3/8" x 10" GUARD FENCE BOLTS MGAL	8
19	2001636	3/8" WASHER F436 STRUCTURAL MGAL	2
20	4001116	3/8" RECESSED GUARD FENCE NUT (GR.2)MGAL	59
21	BSI-2001888	3/8" x 2" ALL THREAD BOLT (GR.5)GEOMET	1
22	BSI-1701063-00	DELINEATION MOUNTING (BRACKET)	1
23	BSI-2001887	1/4" x 3/4" SCREW SD HH 410SS	7
24	4002051	GUARDRAIL WASHER RECT AASHTO FWR03	1
25	SEE NOTE BELOW	HIGH INTENSITY REFLECTIVE SHEETING	1
26	4002337	8" W-BEAM TIMBER-BLOCKOUT, PD801B	8
27	BSI-4004431	25' W-BEAM GUARDRAIL PANEL, 8-SPACE, 12GA.	2
28	MANMAX Rev-(D)	MAX-TENSION INSTALLATION INSTRUCTIONS	1

* TO BE PROVIDED BY DISTRIBUTOR OR CONTRACTOR.

** ALTERNATIVE ITEMS NOT SHOWN. ITEM(26) 8" WOOD-BLOCKOUTS ITEM(27) 25' GUARD FENCE PANELS

Texas Department of Transportation

Design Division Standard

MAX-TENSION END TERMINAL

MASH - TL-3

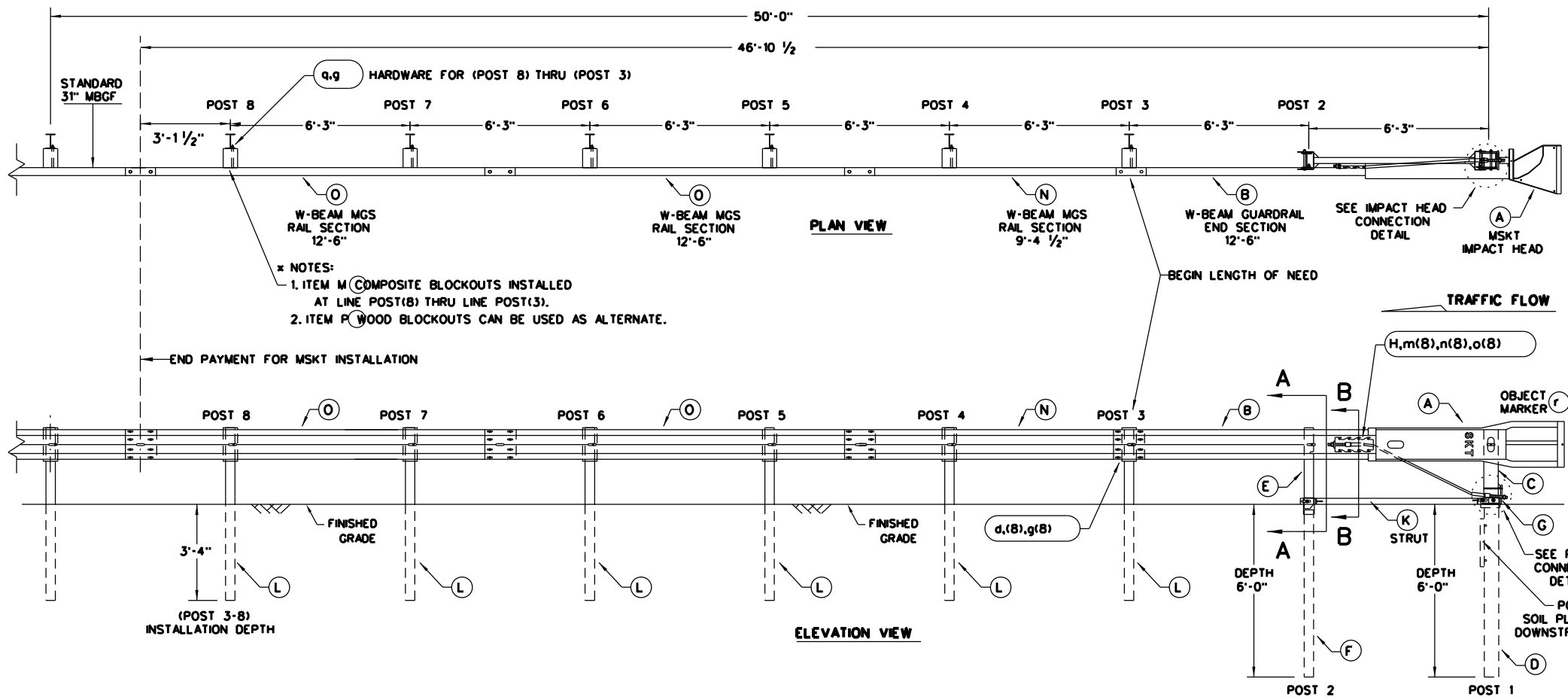
SGT(11S)31-18

FILE: sgt11s3118.dgn	DN: TxDOT	CR: KM	DW: TxDOT	CK: CL
© TxDOT: FEBRUARY 2018	CONT	SECT	JOB	HIGHWAY
REVISIONS	6460	99	001	IH20, etc.
	DIST	COUNTY		SHEET NO.
	Abil	Taylor, ETC.		47

NOTE: THIS STANDARD IS A BASIC REPRESENTATION OF THE MAX-TENSION END TERMINAL. IT IS NOT INTENDED TO REPLACE THE PRODUCT DESCRIPTION ASSEMBLY MANUAL.

DISCLAIMER: THE USE OF THIS STANDARD IS GOVERNED BY THE "TEXAS ENGINEERING PRACTICE ACT". NO WARRANTY OF ANY KIND IS MADE BY TXDOT FOR ANY PURPOSE WHATSOEVER. TXDOT ASSUMES NO RESPONSIBILITY FOR THE CONVERSION OF THIS STANDARD TO OTHER FORMATS OR FOR INCORRECT RESULTS OR DAMAGES RESULTING FROM ITS USE.

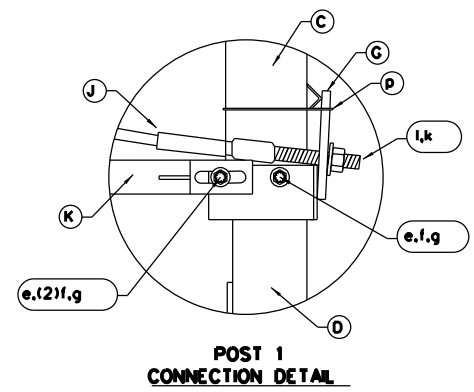
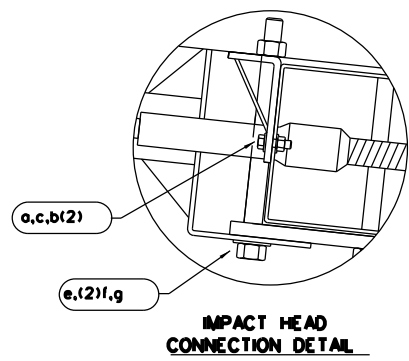
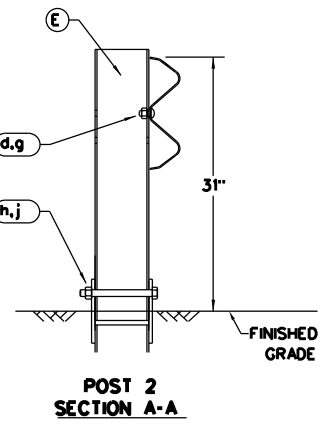
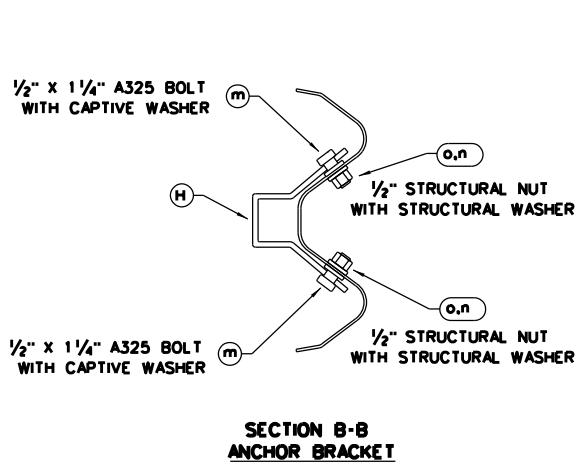
DATE: _____
 FILE: _____



- NOTES:
- ITEM M (COMPOSITE BLOCKOUTS INSTALLED AT LINE POST(8) THRU LINE POST(3).
 - ITEM P (WOOD BLOCKOUTS CAN BE USED AS ALTERNATE.

- GENERAL NOTES**
- FOR SPECIFIC INFORMATION REGARDING INSTALLATION AND TECHNICAL GUIDANCE OF THE SYSTEM, CONTACT: ROAD SYSTEMS, INC. (432)263-2435. 3616 OLD HOWARD COUNTY AIRPORT, BIG SPRING, TX 79720
 - FOR INSTALLATION, REPAIR AND MAINTENANCE REFER TO THE: MSKT END TERMINAL, PRODUCT DESCRIPTION ASSEMBLY MANUAL (PUBLICATION-062717).
 - APPLY HIGH INTENSITY REFLECTIVE SHEETING, "OBJECT MARKER" ON THE FRONT FACE OF THE DEVICE PER MANUFACTURER'S RECOMMENDATIONS. OBJECT MARKER SHALL CONFORM TO THE STANDARDS REQUIRED IN TEXAS MUTCD.
 - FOR POST (LEAVE-OUT) INSTALLATION AND GUIDANCE SEE TXDOT'S LATEST ROADWAY MOW STRIP STANDARD.
 - HARDWARE (BOLTS, NUTS, & WASHERS) SHALL BE GALVANIZED IN ACCORDANCE WITH ITEM 445. "GALVANIZING", FITTINGS SHALL BE SUBSIDIARY TO THE BID ITEM.
 - SYSTEM SHOWN USING STEEL WIDE FLANGE POSTS WITH COMPOSITE BLOCKOUTS.
 - A COMPOSITE MATERIAL BLOCKOUTS THAT MEETS THE REQUIREMENTS OF DMS-7210, MAY BE SUBSTITUTED FOR BLOCKOUTS OF SIMILAR DIMENSIONS. SEE CONSTRUCTION DIVISION MATERIAL PRODUCER LIST (MPL) FOR CERTIFIED PRODUCERS.
 - IF SOLID ROCK IS ENCOUNTERED IN THE AREA OF (POST 1) AND / OR (POST 2) CONTACT THE MANUFACTURER, & REFER TO THE LATEST ROADWAY MBGF STANDARD FOR INSTALLATION GUIDANCE.
 - POSTS SHALL NOT BE SET IN CONCRETE.
 - SYSTEM MUST BE ATTACHED TO STANDARD 31" MBGF.
 - UNDER NO CIRCUMSTANCES SHALL THE GUARDRAIL WITHIN THE MSKT SYSTEM BE CURVED.
 - A FLARE RATE OF UP TO 25:1 MAY BE USED TO PREVENT THE TERMINAL HEAD FROM ENCRANCHING ON THE SHOULDER. THE FLARE MAY BE DECREASED OR ELIMINATED FOR SPECIFIC INSTALLATIONS, IF DIRECTED BY THE ENGINEER.
 - THE SYSTEM IS SHOWN WITH TWO 12'-6" MBGF PANELS, ONE 25'-0" MBGF PANEL IS ALSO ALLOWED IN THEIR PLACE.
 - A DRIVING CAP WITH A TIMBER OR PLASTIC INSERT SHALL BE USED WHEN DRIVING POSTS 3-8 TO PREVENT DAMAGE TO THE GALVANIZING ON TOP OF THE POST. SPECIAL DRIVING CAP TO BE USED ON LOWER POSTS 1 & 2 TO PREVENT DAMAGE TO THE WELDED PLATES.

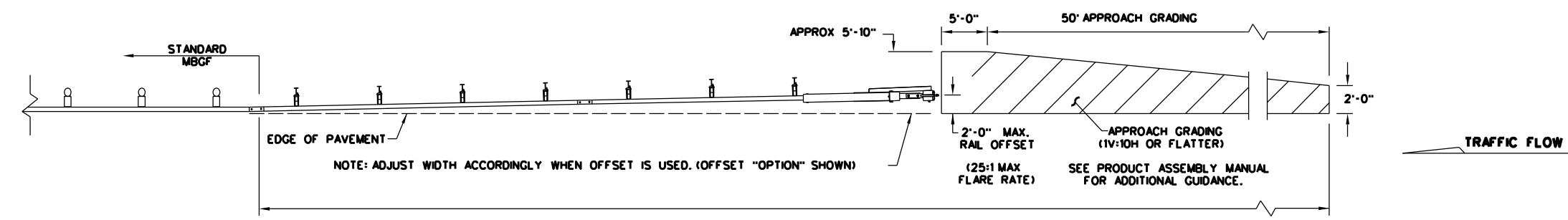
ITEM	QTY	MAIN SYSTEM COMPONENTS	ITEM NUMBERS
A	1	MSKT IMPACT HEAD	MS3000
B	1	W-BEAM GUARDRAIL END SECTION, 12 Go.	SF1303
C	1	POST 1 - TOP (6" X 6" X 1/8" TUBE)	MTPHP1A
D	1	POST 1 - BOTTOM (6" W6X15)	MTPHP1B
E	1	POST 2 - ASSEMBLY TOP	UHP2A
F	1	POST 2 - ASSEMBLY BOTTOM (6" W6X9)	HP2B
G	1	BEARING PLATE	E750
H	1	CABLE ANCHOR BOX	S760
J	1	BCT CABLE ANCHOR ASSEMBLY	E770
K	1	GROUND STRUT	MS785
L	6	W6X9 OR W6X8.5 STEEL POST	P621
M	6	COMPOSITE BLOCKOUTS	CBSP-14
N	1	W-BEAM MGS RAIL SECTION (9'-4 1/2")	G12025
O	2	W-BEAM MGS RAIL SECTION (12'-6")	G1203A
P	6	WOOD BLOCKOUT 6" X 8" X 14"	P675
Q	1	W-BEAM MGS RAIL SECTION (25'-0")	G1209
SMALL HARDWARE			
o	2	3/8" x 1" HEX BOLT (GRD 5)	B5160104A
b	4	3/8" WASHER	W0516
c	2	3/8" HEX NUT	N0516
d	25	3/8" Dia. x 1 1/4" SPLICE BOLT (POST 2)	B580122
e	2	3/8" Dia. x 9" HEX BOLT (GRD A449)	B580904A
f	3	3/8" WASHER	W050
g	33	3/8" Dia. H.G.R. NUT	N050
h	1	3/4" Dia. x 8 1/2" HEX BOLT (GRD A449)	B340854A
j	1	3/4" Dia. HEX NUT	N030
k	2	1 ANCHOR CABLE HEX NUT	N100
l	2	1 ANCHOR CABLE WASHER	W100
m	8	1/2" x 1 1/4" A325 BOLT WITH CAPTIVE WASHER	S812A
n	8	1/2" STRUCTURAL NUTS	N012A
o	8	1 1/8" O.D. x 3/8" I.D. STRUCTURAL WASHERS	W012A
p	1	BEARING PLATE RETAINER TIE	CT-100ST
q	6	3/8" x 10" H.G.R. BOLT	B581002
r	1	OBJECT MARKER 18" X 18"	E3151



ALTERNATIVE ITEMS NOT SHOWN. x x
 x ITEM(P) 8" WOOD-BLOCKOUT
 x x ITEM(Q) 25" GUARD FENCE PANEL

SEE NOTES: x

NOTE: SEE (GENERAL NOTE 14) FOR DRIVING CAP INFORMATION.



NOTE: TXDOT GENERIC APPROACH GRADING LAYOUT USED FOR ALL TANGENT TYPE END TREATMENTS.

APPROACH GRADING AT GUARDRAIL END TREATMENTS

NOTE: THIS STANDARD IS A BASIC REPRESENTATION OF THE MSKT END TERMINAL, IT IS NOT INTENDED TO REPLACE THE PRODUCT DESCRIPTION ASSEMBLY MANUAL.

Design Division Standard

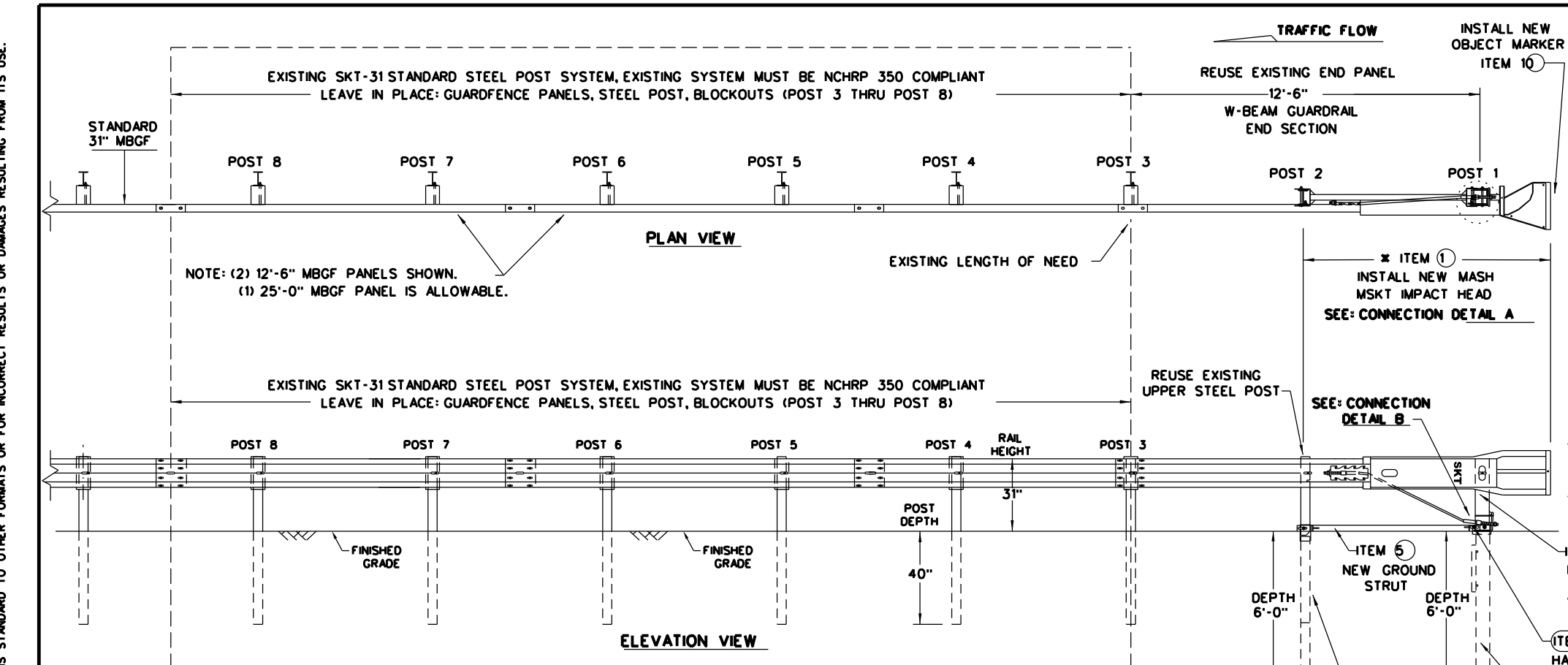
SINGLE GUARDRAIL TERMINAL

MSKT-MASH-TL-3

SGT(12S)31-18

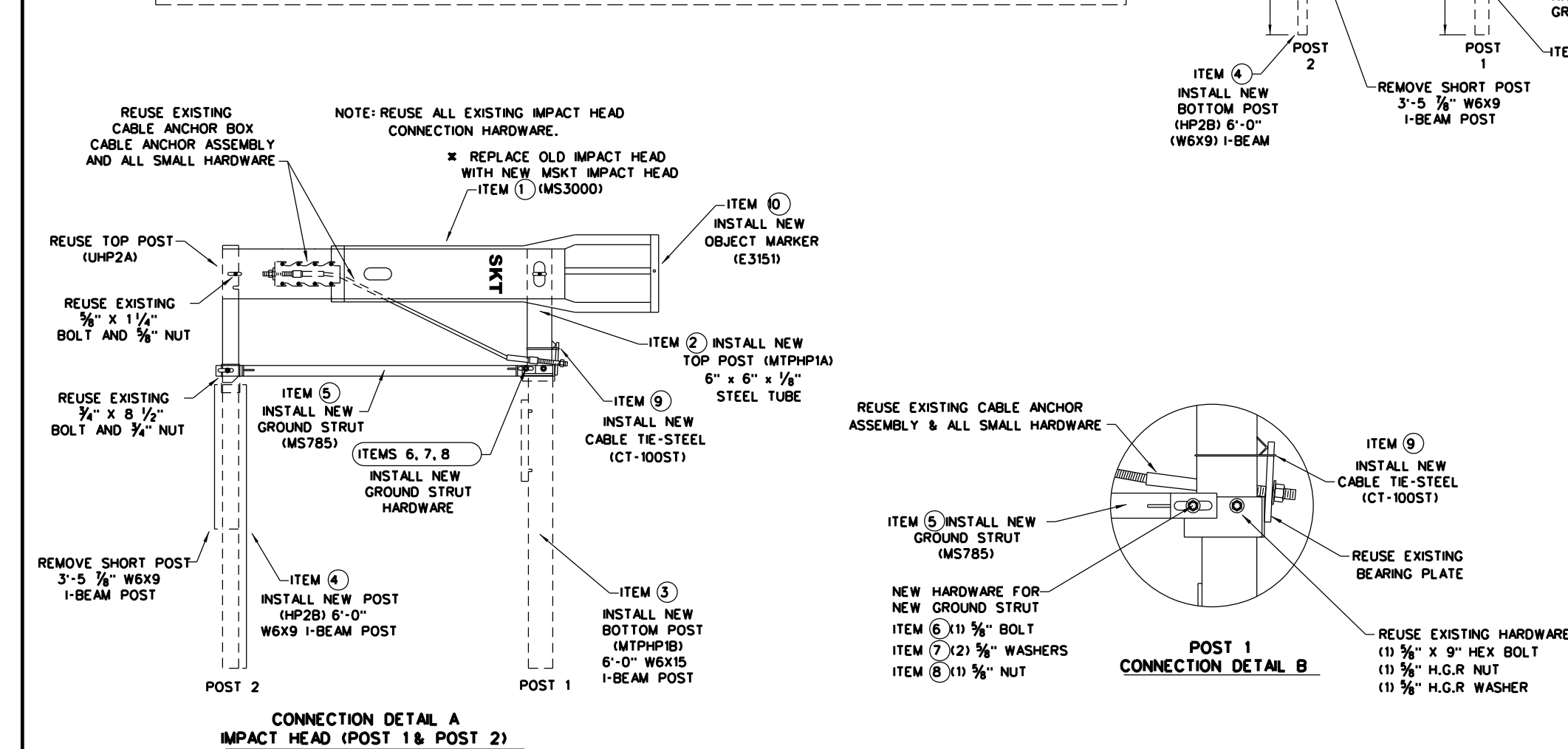
FILE: sgt12s3118.dgn	DN: TxDOT	CK: KM	DW: VP	CK: CL
© TxDOT: APRIL 2018	CONT SECT	JOB	HIGHWAY	
REVISIONS	6460	99	001	IH20, etc.
	DIST	COUNTY	SHEET NO.	
	Abi	Taylor, ETC.	48	

DISCLAIMER: THE USE OF THIS STANDARD IS GOVERNED BY THE "TEXAS ENGINEERING PRACTICE ACT". NO WARRANTY OF ANY KIND IS MADE BY TXDOT FOR ANY PURPOSE WHATSOEVER. TXDOT ASSUMES NO RESPONSIBILITY FOR THE CONVERSION OF THIS STANDARD TO OTHER FORMATS OR FOR INCORRECT RESULTS OR DAMAGES RESULTING FROM ITS USE.



GENERAL NOTES

1. FOR SPECIFIC INFORMATION REGARDING INSTALLATION AND TECHNICAL GUIDANCE OF THE SYSTEM, CONTACT: ROAD SYSTEMS, INC. (432)263-2435. 3616 OLD HOWARD COUNTY AIRPORT, BIG SPRING, TX 79720
2. FOR INSTALLATION, REPAIR AND MAINTENANCE REFER TO: MSKT END TERMINAL, PRODUCT DESCRIPTION ASSEMBLY MANUAL (PUBLICATION-062717).
3. APPLY HIGH INTENSITY REFLECTIVE SHEETING, "OBJECT MARKER" ON THE FRONT FACE OF THE DEVICE PER MANUFACTURER'S RECOMMENDATIONS. OBJECT MARKER SHALL CONFORM TO THE STANDARDS REQUIRED IN TEXAS MUTCD.
4. FOR POST (LEAVE-OUT) INSTALLATION AND GUIDANCE SEE TXDOT'S LATEST ROADWAY MOW STRIP STANDARD.
5. HARDWARE (BOLTS, NUTS, & WASHERS) SHALL BE GALVANIZED IN ACCORDANCE WITH ITEM 445, "GALVANIZING". FITTINGS SHALL BE SUBSIDIARY TO THE BID ITEM.
6. IF SOLID ROCK IS ENCOUNTERED IN THE AREA OF (POST 1) AND / OR (POST 2) CONTACT THE MANUFACTURER, AND REFER TO THE LATEST ROADWAY MGF STANDARD FOR INSTALLATION GUIDANCE.
7. POSTS SHALL NOT BE SET IN CONCRETE.
8. THE EXISTING SKT 31" STANDARD STEEL POST SYSTEM MUST BE THOROUGHLY INSPECTED, AND DETERMINED TO BE INTACT, AND FREE OF ANY DAMAGE OR DEFECTS BEFORE RETROFITTING. THIS INSPECTION INCLUDES COMPLETING THE MSKT RETROFIT INSPECTION CHECKLIST FOR THE EXISTING SKT 31" STEEL POST NCHRP 350 SYSTEM. ALL EXISTING, AND REUSABLE PARTS MUST BE FREE OF ANY DAMAGE FOR A MASH COMPLIANT RETROFIT.
9. UNDER NO CIRCUMSTANCES SHALL THE GUARDFENCE WITHIN THE MSKT SYSTEM BE CURVED.
10. A FLARE RATE OF UP TO 25:1 MAY BE USED TO PREVENT THE TERMINAL HEAD FROM ENCRoACHING ON THE SHOULDER. THE FLARE MAY BE DECREASED OR ELIMINATED FOR SPECIFIC INSTALLATIONS, IF DIRECTED BY THE ENGINEER.
11. SPECIAL DRIVING CAP TO BE USED WHEN DRIVING (LOWER POSTS 1 & 2) TO PREVENT DAMAGE TO THE WELDED PLATES.



ITEMS	QTY	MAIN SYSTEM COMPONENTS	PART NUMBERS
1	1	MSKT IMPACT HEAD	MS3000
2	1	POST 1 - TOP (6" x 6" x 1/8" TUBE)	MTPHP1A
3	1	POST 1 - BOTTOM (6" W6X15)	MTPHP1B
4	1	POST 2 - ASSEMBLY BOTTOM (6" W6X9)	HP2B
5	1	GROUND STRUT	MS785
6	1	5/8" x 9" HEX BOLT (GRD A449)	B580904A
7	2	5/8" WASHERS	W050
8	1	5/8" H.G.R NUT	N050
9	1	CABLE TIE-STEEL	CT-100ST
10	1	OBJECT MARKER 18" x 18"	E3151

COMPONENTS REQUIRED TO RETROFIT: EXISTING 31" STEEL POST (NCHRP 350 SKT) GUARDFENCE TERMINAL WITH THE NEW 31" (MASH COMPLIANT MSKT IMPACT HEAD).
 * IF THE EXISTING NCHRP 350 (31" STEEL POST SKT) ALREADY HAS THE MSKT IMPACT HEAD THERE IS NO NEED TO REPLACE THE IMPACT HEAD OR OBJECT MARKER AS LONG AS IT IS NOT DAMAGED.

Texas Department of Transportation
 Design Division Standard

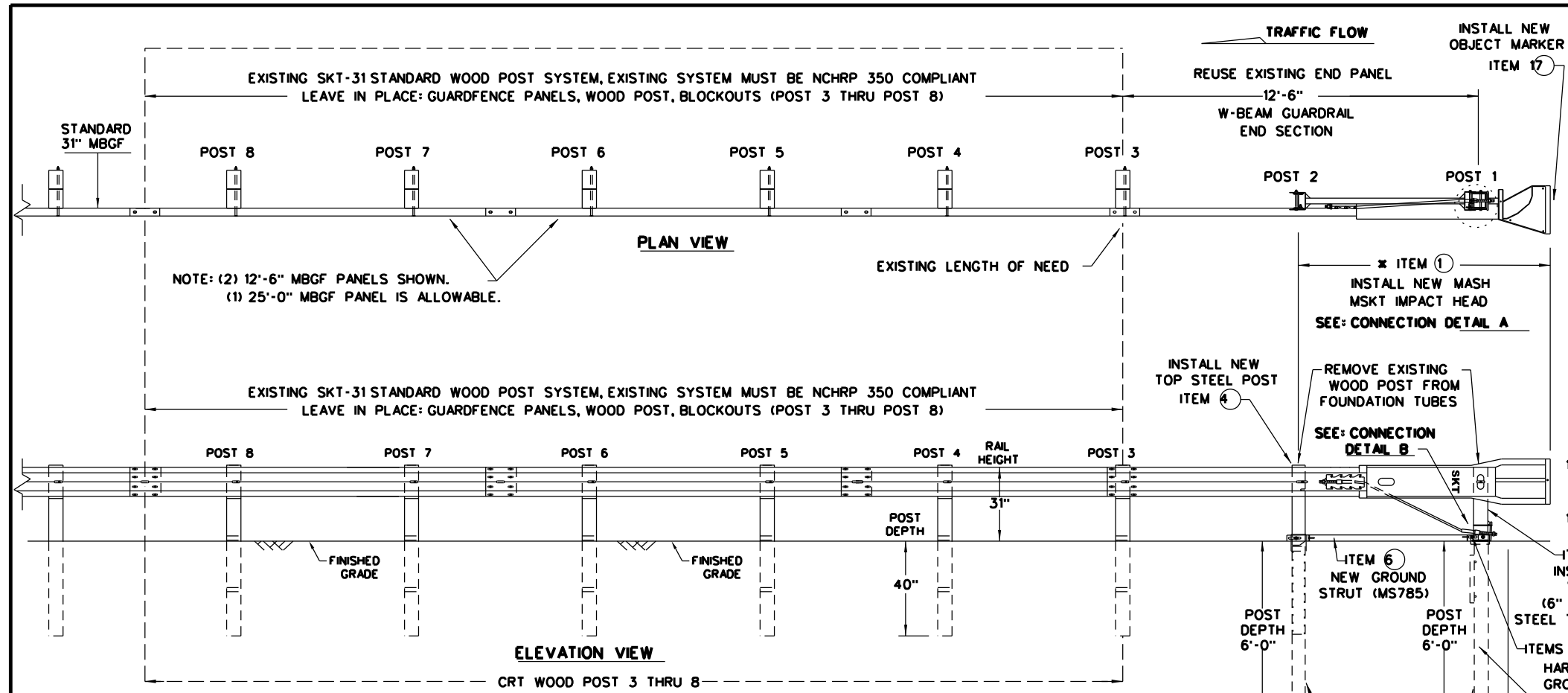
**RETROFIT STANDARD
 SKT 31" STEEL POST SYSTEM
 TO MASH MSKT
 SGT(13S)31-18**

FILE: sgt13s3118.dgn	DN: TxDOT	CK: KM	DW: VP	CK: CL
© TxDOT: APRIL 2018	CONT: 6460	SECT: 99	JOB: 001	HIGHWAY: IH20, etc.
REVISIONS	DIST: Abil	COUNTY: Taylor, ETC.	SHEET NO. 49	

NOTE: THIS STANDARD IS A BASIC REPRESENTATION OF THE EXISTING SKT END TERMINAL RETROFIT TO THE MSKT MASH COMPLIANT TERMINAL. IT IS NOT INTENDED TO REPLACE THE PRODUCT DESCRIPTION ASSEMBLY MANUAL.

DATE: FILE:

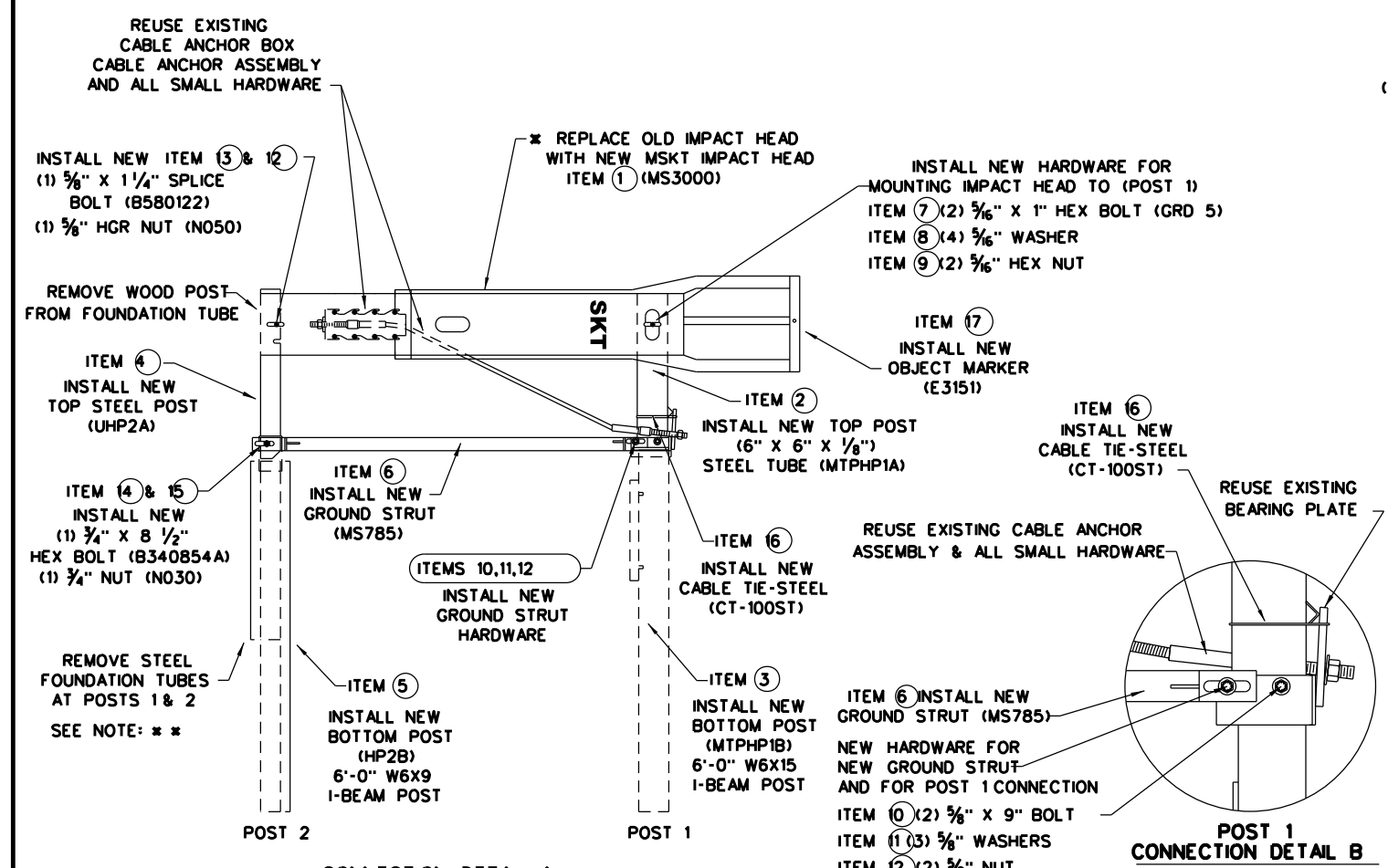
DISCLAIMER: THE USE OF THIS STANDARD IS GOVERNED BY THE "TEXAS ENGINEERING PRACTICE ACT". NO WARRANTY OF ANY KIND IS MADE BY TXDOT FOR ANY PURPOSE WHATSOEVER. TXDOT ASSUMES NO RESPONSIBILITY FOR THE CONVERSION OF THIS STANDARD TO OTHER FORMATS OR FOR INCORRECT RESULTS OR DAMAGES RESULTING FROM ITS USE.



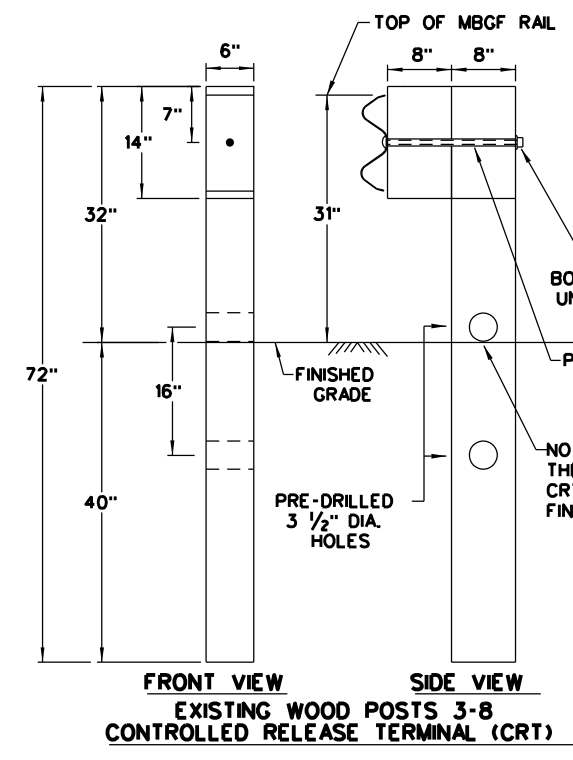
GENERAL NOTES

1. FOR SPECIFIC INFORMATION REGARDING INSTALLATION AND TECHNICAL GUIDANCE OF THE SYSTEM, CONTACT: ROAD SYSTEMS, INC. (432)263-2435. 3616 OLD HOWARD COUNTY AIRPORT, BIG SPRING, TX 79720
2. FOR INSTALLATION, REPAIR AND MAINTENANCE REFER TO: MSKT END TERMINAL. PRODUCT DESCRIPTION ASSEMBLY MANUAL (PUBLICATION-062717).
3. APPLY HIGH INTENSITY REFLECTIVE SHEETING, "OBJECT MARKER" ON THE FRONT FACE OF THE DEVICE PER MANUFACTURER'S RECOMMENDATIONS. OBJECT MARKER SHALL CONFORM TO THE STANDARDS REQUIRED IN TEXAS MUTCD.
4. FOR POST (LEAVE-OUT) INSTALLATION AND GUIDANCE SEE TXDOT'S LATEST ROADWAY MOW STRIP STANDARD.
5. HARDWARE (BOLTS, NUTS, & WASHERS) SHALL BE GALVANIZED IN ACCORDANCE WITH ITEM 445, "GALVANIZING". FITTINGS SHALL BE SUBSIDIARY TO THE BID ITEM.
6. IF SOLID ROCK IS ENCOUNTERED IN THE AREA OF (POST 1) AND / OR (POST 2) CONTACT THE MANUFACTURER, AND REFER TO THE LATEST ROADWAY MBSG STANDARD FOR INSTALLATION GUIDANCE.
7. POSTS SHALL NOT BE SET IN CONCRETE.
8. THE EXISTING SKT 31" STANDARD WOOD POST SYSTEM MUST BE THOROUGHLY INSPECTED, AND DETERMINED TO BE INTACT, AND FREE OF ANY DAMAGE OR DEFECTS BEFORE RETROFITTING. THIS INSPECTION INCLUDES COMPLETING THE MSKT RETROFIT INSPECTION CHECKLIST FOR THE EXISTING SKT 31" WOOD POST NCHRP 350 SYSTEM. ALL EXISTING, AND REUSABLE PARTS MUST BE FREE OF ANY DAMAGE FOR A MASH COMPLIANT RETROFIT.
9. UNDER NO CIRCUMSTANCES SHALL THE GUARDFENCE WITHIN THE MSKT SYSTEM BE CURVED.
10. A FLARE RATE OF UP TO 25:1 MAY BE USED TO PREVENT THE TERMINAL HEAD FROM ENCRoACHING ON THE SHOULDER. THE FLARE MAY BE DECREASED OR ELIMINATED FOR SPECIFIC INSTALLATIONS, IF DIRECTED BY THE ENGINEER.
11. SPECIAL DRIVING CAP TO BE USED WHEN DRIVING (LOWER POSTS 1 & 2) TO PREVENT DAMAGE TO THE WELDED PLATES.

ITEMS	QTY	MAIN SYSTEM COMPONENTS	PART NUMBERS
1	1	MSKT IMPACT HEAD	MS3000
2	1	POST 1 - TOP (6" X 6" X 1/8" TUBE)	MTPHP1A
3	1	POST 1 - BOTTOM (6" W6X15)	MTPHP1B
4	1	POST 2 - ASSEMBLY TOP	UHP2A
5	1	POST 2 - ASSEMBLY BOTTOM (6" W6X9)	HP2B
6	1	GROUND STRUT	MS785
7	2	5/16" X 1" HEX BOLT (GRD 5)	B516014A
8	4	5/16" WASHERS	W0516
9	2	5/16" HEX NUT	N0516
10	2	5/8" X 9" HEX BOLT (GRD A449)	B580904A
11	3	5/8" WASHERS	W050
12	3	5/8" H.G.R NUT	N050
13	1	5/8" X 1 1/4" SPLICE BOLT	B580122
14	1	3/4" X 8 1/2" HEX BOLT (GRD 5)	B340854A
15	1	3/4" HEX NUT	N030
16	1	CABLE TIE-STEEL	CT-100ST
17	1	OBJECT MARKER 18" X 18"	E3151



NOTE: EXTRA SOIL COMPACTION WILL BE NEEDED AROUND NEW (POSTS 1 & 2) DUE TO THE REMOVAL OF THE STEEL FOUNDATION TUBES.



COMPONENTS REQUIRED TO RETROFIT: EXISTING 31" WOOD POST (NCHRP 350 SKT) GUARDFENCE TERMINAL WITH THE NEW 31" (MASH COMPLIANT MSKT IMPACT HEAD).
 * IF THE EXISTING NCHRP 350 (31" WOOD POST SKT) ALREADY HAS THE MSKT IMPACT HEAD THERE IS NO NEED TO REPLACE THE IMPACT HEAD OR OBJECT MARKER AS LONG AS IT IS NOT DAMAGED.

USE EXISTING 5/8" X 18" BOLT WITH (1 5/8") O.D. WASHER UNDER 5/8" HGR NUT FIELD-SIDE
 PRE-DRILLED 3/4" DIA. HOLE POST AND BLOCKOUT
 NOTE: THE BOTTOM OF THE UPPER 3 1/2" CRT HOLE IS APPROXIMATELY AT FINISHED GRADE.



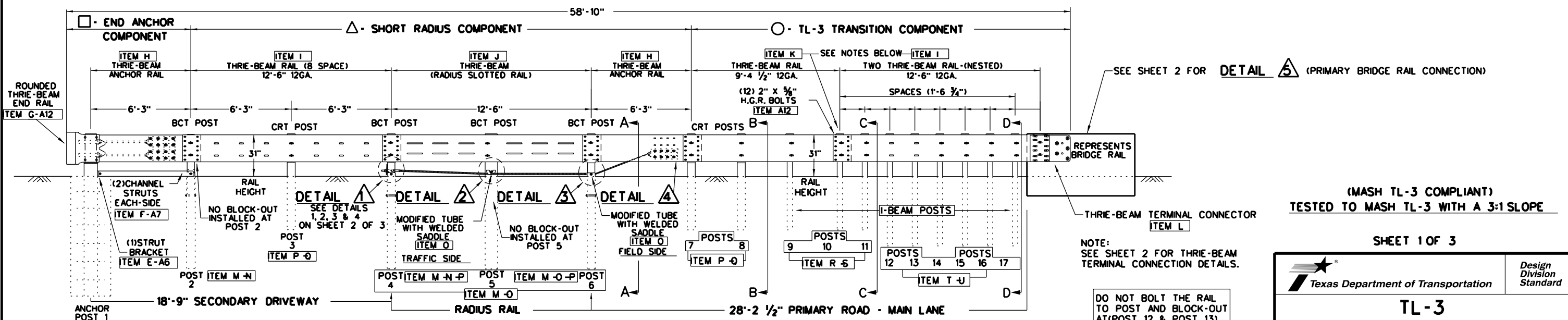
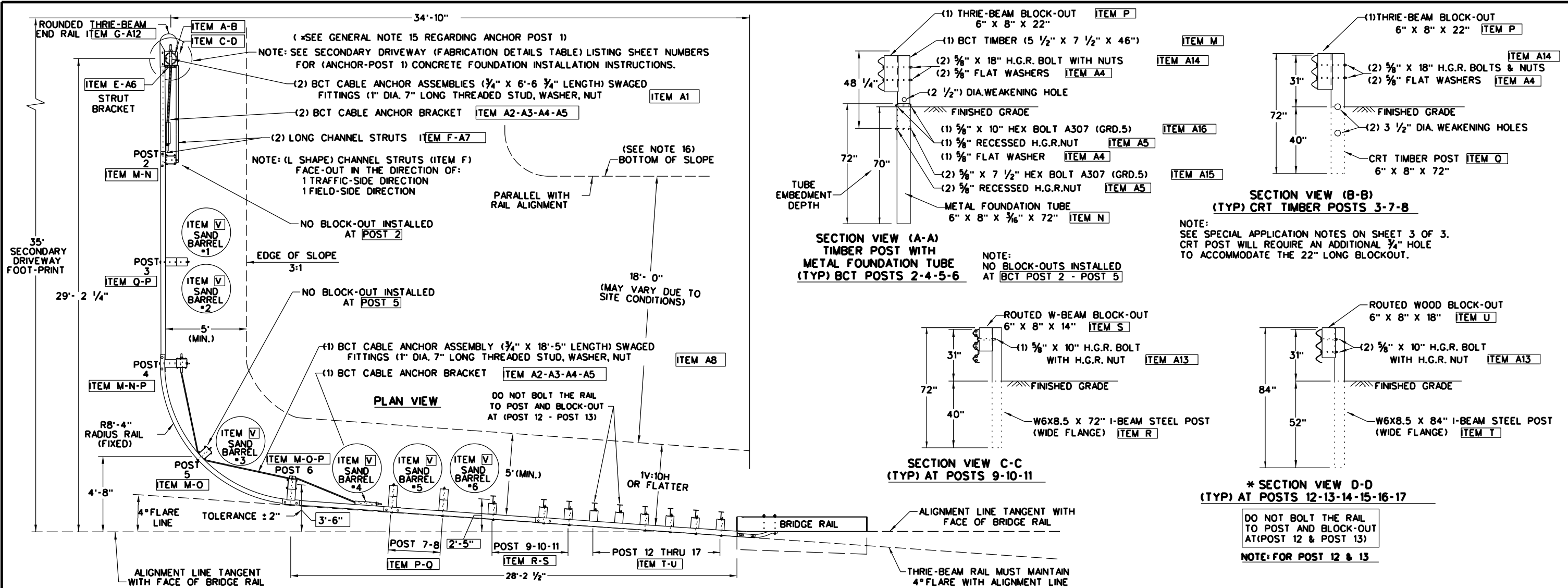
RETROFIT STANDARD SKT 31" WOOD POST SYSTEM TO MASH MSKT SGT(14W)31-18

FILE: sgt14w3118.dgn	DN: TxDOT	CK: KM	DW: VP	CK: CL
© TxDOT: APRIL 2018	CONT SECT	JOB	HIGHWAY	
REVISIONS	6460	99	001	IH20, etc.
	DIST	COUNTY	SHEET NO.	
	Abi	Taylor, ETC.	50	

NOTE: THIS STANDARD IS A BASIC REPRESENTATION OF THE EXISTING SKT END TERMINAL RETROFITTED TO THE MSKT MASH COMPLIANT TERMINAL. IT IS NOT INTENDED TO REPLACE THE PRODUCT DESCRIPTION ASSEMBLY MANUAL.

DATE: FILE:

DISCLAIMER: THE USE OF THIS STANDARD IS GOVERNED BY THE "TEXAS ENGINEERING PRACTICE ACT". NO WARRANTY OF ANY KIND IS MADE BY TxDOT FOR ANY PURPOSE WHATSOEVER. TxDOT ASSUMES NO RESPONSIBILITY FOR THE CONVERSION OF THIS STANDARD TO OTHER FORMATS OR FOR INCORRECT RESULTS OR DAMAGES RESULTING FROM ITS USE.

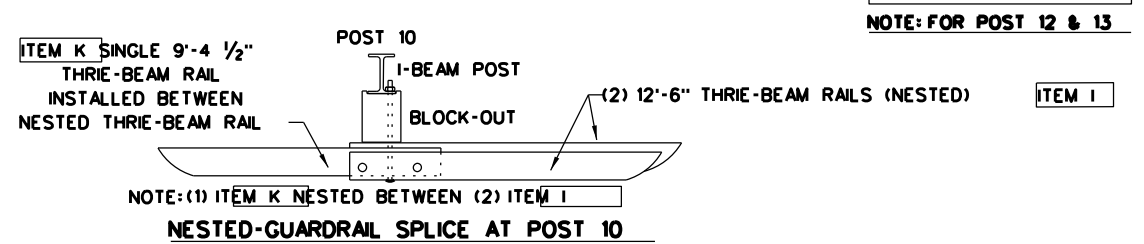


ANCHOR POST 1 FABRICATION DETAILS	
SHEET DESCRIPTION	SHEET NUMBER
ANCHOR POST	SHEET 1 OF 8
ANCHOR SLEEVE	SHEET 2 OF 8
RADIUS RAIL	SHEET 3 OF 8
THRIE-BEAM RAILS	SHEET 4 OF 8
BCT TIMBER POST	SHEET 5 OF 8
STRUT RADIUS ANCHOR	SHEET 6 OF 8
FOUNDATION TUBE	SHEET 7 OF 8
ANCHOR CABLE	SHEET 8 OF 8

FULL-LENGTH ELEVATION VIEW

NOTE: ALL CABLE BRACKET ASSEMBLIES ARE LOCATED ON THE FIELD-SIDE. SHOWN HERE FOR CLARITY.

NOTE: FOR BCT POSTS 2-4-5-6 INSTALL (1) OR (2) ITEM A15-A4-A5 BOLT ASSEMBLIES TO PREVENT TIMBER POST SLIDING DOWN FOUNDATION TUBE.



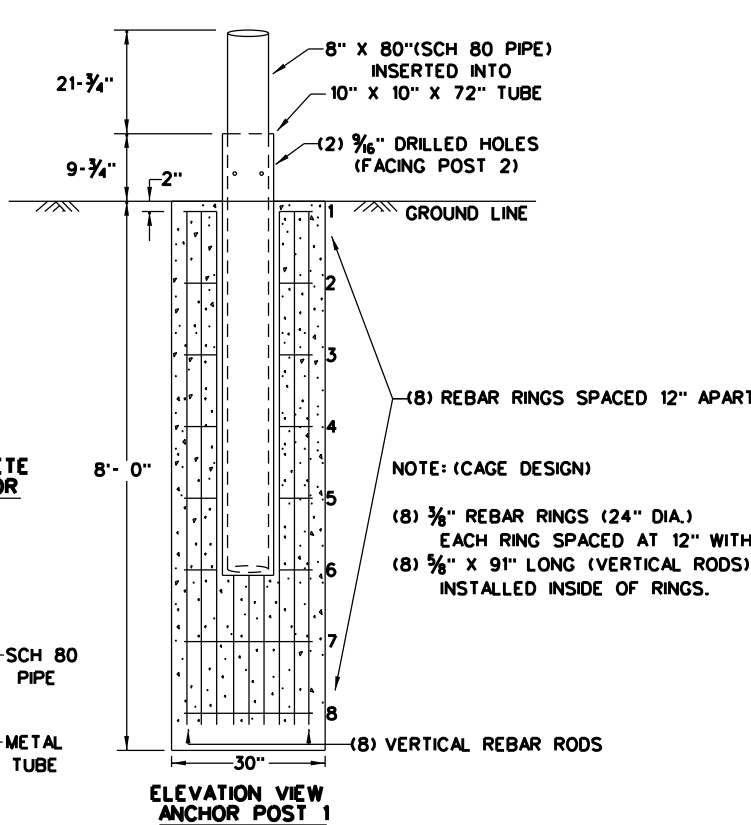
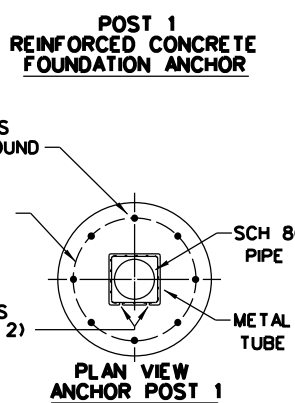
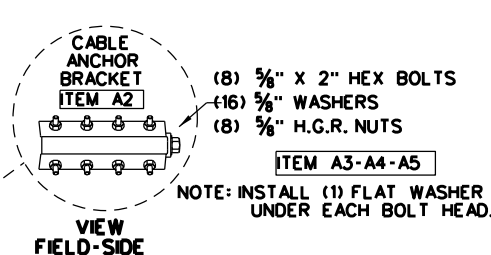
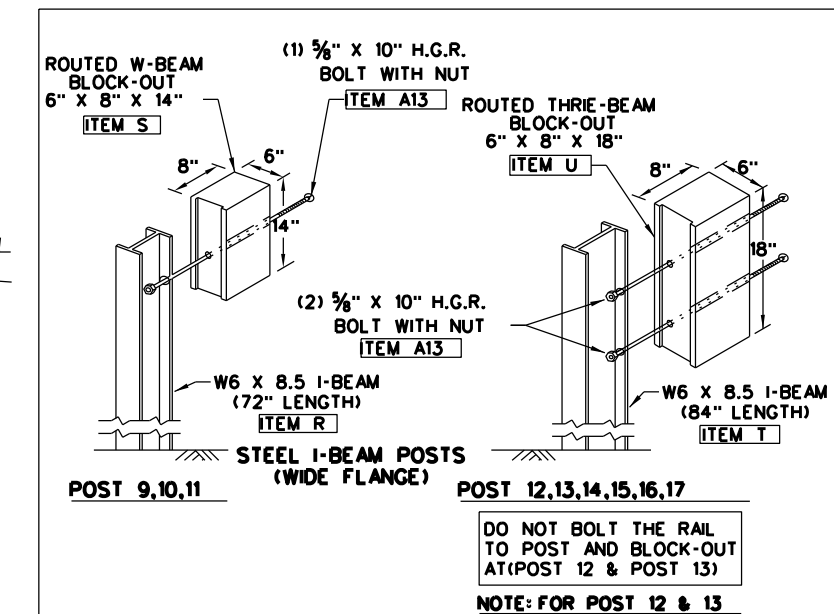
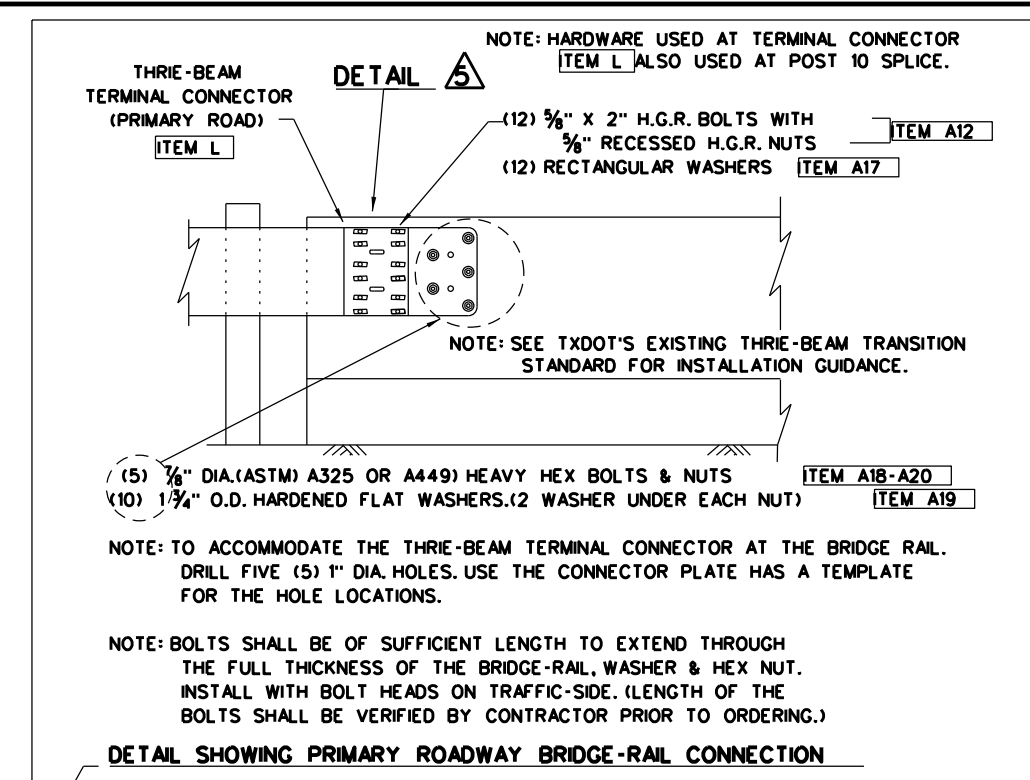
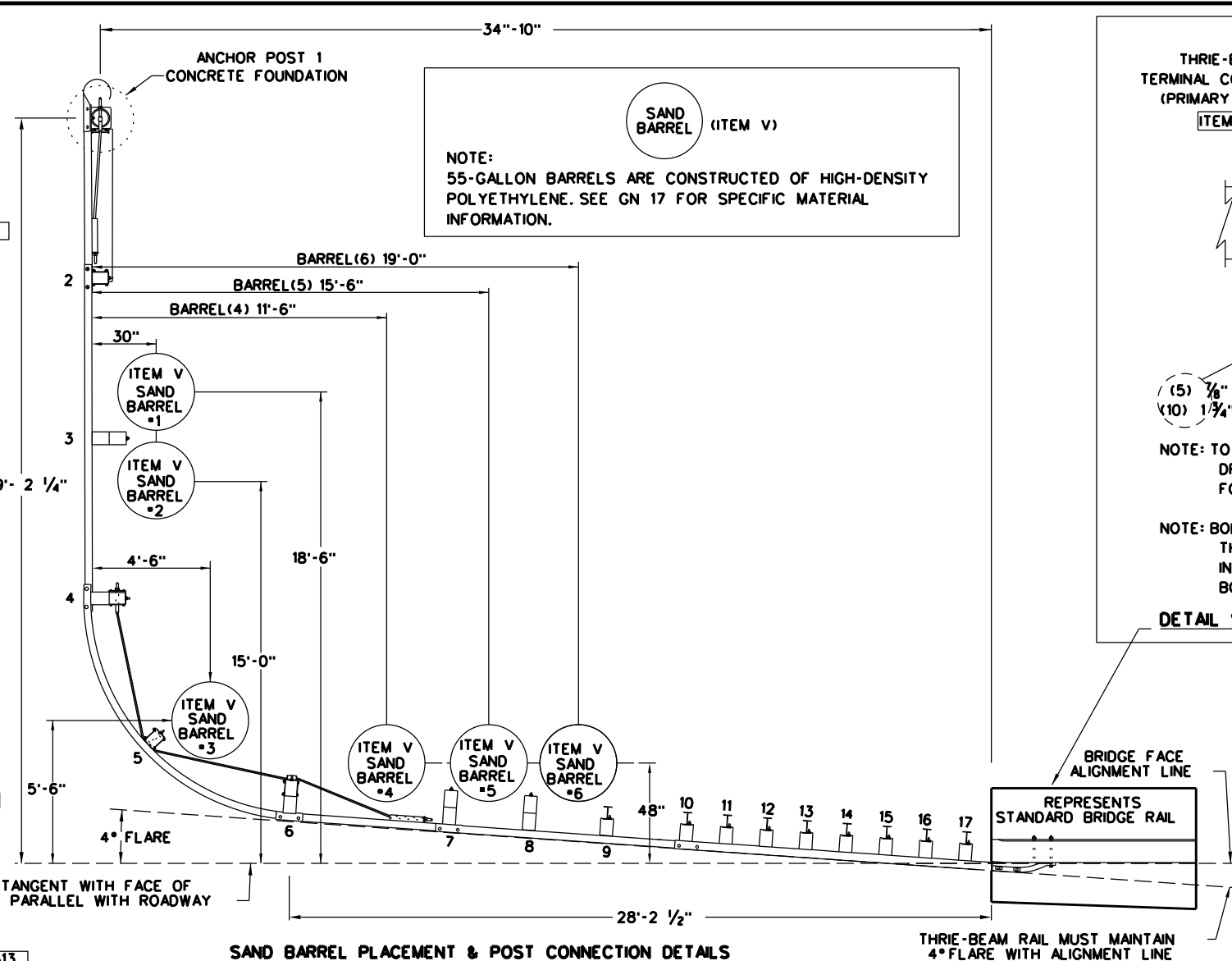
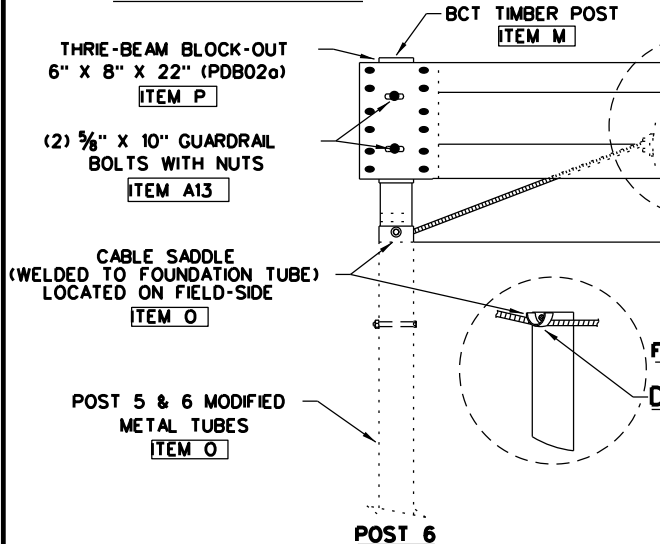
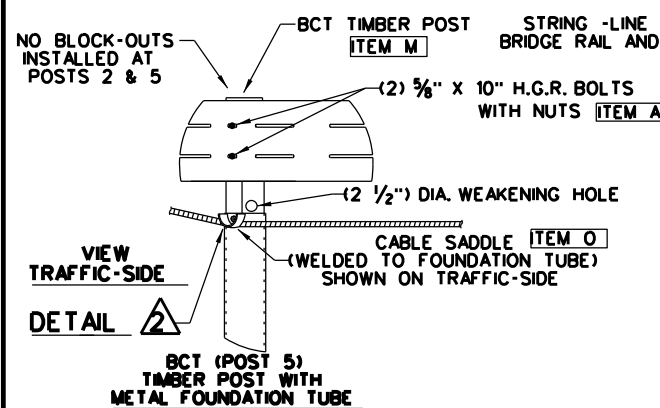
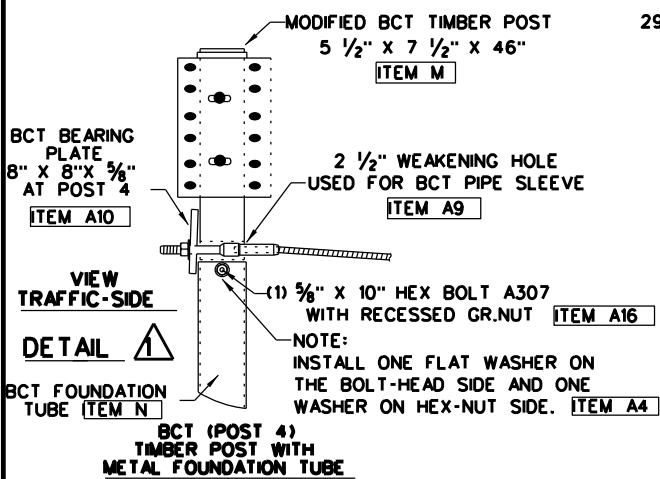
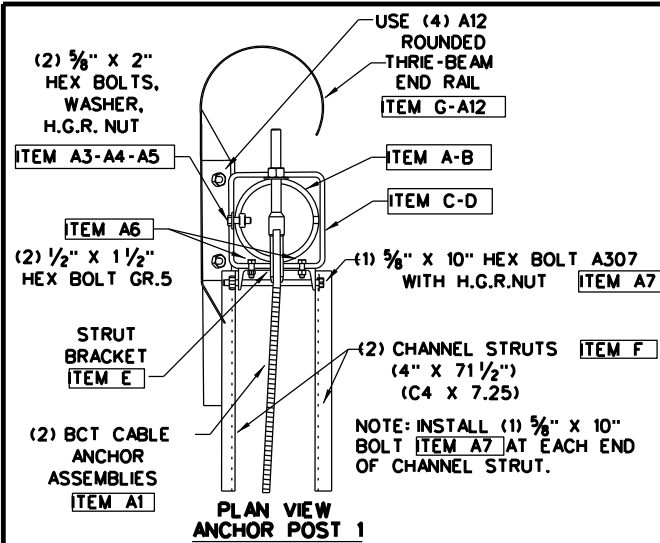
TL-3
SHORT RADIUS GUARDRAIL
MASH COMPLIANT
SRG(TL-3)-21

SHEET 1 OF 3

FILE: srgtl321	TxDOT	CK:KM	DN:VP	CK:CGL
© TxDOT: FEBRUARY 2021	CONT	SECT	JOB	HIGHWAY
REVISIONS	6460	99	001	IH20, etc.
	DIST	COUNTY	SHEET NO.	
	Abil	Taylor, ETC.	51	

Design Division Standard

DISCLAIMER: THE USE OF THIS STANDARD IS GOVERNED BY THE "TEXAS ENGINEERING PRACTICE ACT". NO WARRANTY OF ANY KIND IS MADE BY TxDOT FOR ANY PURPOSE WHATSOEVER. TxDOT ASSUMES NO RESPONSIBILITY FOR THE CONVERSION OF THIS STANDARD TO OTHER FORMATS OR FOR INCORRECT RESULTS OR DAMAGES RESULTING FROM ITS USE.



(MASH TL-3 COMPLIANT)
TESTED TO MASH TL-3 WITH A 3:1 SLOPE

SHEET 2 OF 3

		Design Division Standard	
TL-3 SHORT RADIUS GUARDRAIL MASH COMPLIANT SRG(TL-3)-21			
FILE: srgtl321	TxDOT CK:KM	DN: VP	CK: CGL
© TxDOT: FEBRUARY 2021 REVISIONS	CONT SECT 6460 99	JOB 001	HIGHWAY IH20, etc.
DIST Abil	COUNTY Taylor, ETC.	SHEET NO. 52	

DATE: FILE:

DISCLAIMER: THE USE OF THIS STANDARD IS GOVERNED BY THE "TEXAS ENGINEERING PRACTICE ACT". NO WARRANTY OF ANY KIND IS MADE BY TxDOT FOR ANY PURPOSE WHATSOEVER. TxDOT ASSUMES NO RESPONSIBILITY FOR THE CONVERSION OF THIS STANDARD TO OTHER FORMATS OR FOR INCORRECT RESULTS OR DAMAGES RESULTING FROM ITS USE.

DATE: FILE:

ITEM	ALL LARGE & SMALL COMPONENT DESCRIPTIONS
A	POST 1 TOP (SCH.80 PIPE) (8" X 80" LENGTH)
B	POST 1 TOP (WELDED SUPPORT COLLAR 10" X 10" X 1/2" ASTM A36)
C	POST 1 TUBE (HSS 10" X 10" X 1/2" X 72" LENGTH) A500 GR.B
D	POST 1 (WELDED PLATE 9 1/4" X 9 1/4" X 1/8") A36
E	POST 1 STRUT BRACKET (C8 X 11.50 A36)
F	(POST 1 & 2) CHANNEL STRUTS (4" X 7 1/2" X 7.25) A36
G	THRIE-BEAM RAIL (END ANCHOR - ROUNDED TYPE) 12GA. (RTE02a)
H	THRIE-BEAM RAIL (ANCHOR) (6'-3" LENGTH) 12GA. (RWM14a)
I	THRIE-BEAM RAIL (8 SPACE) (12'-6" LENGTH) 12GA. (RTM08)
J	THRIE-BEAM RAIL (RADIUS 8'-4 1/2") (SLOTTED) 12GA.
K	THRIE-BEAM RAIL (3 SPACE) (9'-4 1/2" LENGTH) 12GA.
L	THRIE BEAM RAIL (TERMINAL CONNECTOR) (BRIDGE-RAIL) (RTE01b)
M	POST 2,4,5,6 BCT TIMBER (5 1/2" X 7 1/2" X 46") (PDF04)
N	POST 2,4, BCT TUBE (6" X 8" X 3/16" X 72" LENGTH) (PTE05)
O	POST 5,6 MODIFIED BCT TUBES (FOR WELDED CABLE SADDLES)
P	POST 3,4,6,7,8 THRIE-BEAM BLOCK-OUT (6" X 8" X 22") (PDB02a)
Q	POST 3,7,8 CRT TIMBER POSTS (6" X 8" X 72" LENGTH) (PDE09)
R	POST 9,10,11-BEAM POSTS (W6X8.5 X 72" LENGTH) (PWE01)
S	POST 9,10,11 ROUTED W-BEAM BLOCK-OUT (6" X 8" X 14") (PDB01b)
T	POST 12 THRU 17 I-BEAM POSTS (W6X8.5 X 84" LENGTH) (PWE07)
U	POST 12 THRU 17 ROUTED BLOCK-OUT (6" X 8" X 18") (PDB??)
V	SAND BARRELS 700-715 LBS
A1	BCT CABLE ANCHOR ASSEMBLIES (3/4" X 6'-6 3/4" LENGTH) (FCA01)
A2	BCT CABLE ANCHOR BRACKET (FPA01)
A3	5/8" X 2" HEX BOLT A307 GRD.5 (FOR CABLE BRACKETS)
A4	5/8" FLAT WASHER A307 GRD.5 (1 WASHER UNDER BOLT HEAD & 1 NUT)
A5	5/8" RECESSED H.G.R NUT (NUTS FOR HEX BOLTS)
A6	STRUT BRACKET HARDWARE (1/2" X 1 1/2") HEX BOLT A307 GRD.5
A7	CHANNEL STRUT HARDWARE (5/8" X 10") HEX BOLT A307 GRD.5
A8	BCT CABLE ANCHOR ASSEMBLY (FCA02) (3/4" X 18'-5" LENGTH)
A9	BCT POST SLEEVE (FMM02a) (POST 4 ONLY)
A10	BCT CABLE BEARING PLATE (5/8" X 8" X 8" (FPB01) (POST 4 ONLY)
A11	5/8" X 1 1/4" H.G.R. BOLTS (FBB01) (SPLICES AT POST 2,4,6,7)
A12	5/8" X 2" H.G.R. BOLTS (FBB02) (ROUND TERM-POST 10-END SPLICE)
A13	5/8" X 10" H.G.R. BOLTS (FBB03) (I-BEAM POSTS RAIL & BLOCKOUT)
A14	5/8" X 18" H.G.R. BOLTS (FBB04) (POSTS 3,4,6,7,8)
A15	5/8" X 7 1/2" HEX BOLTS A307 GRD.5 (BCT POSTS 2,4,5,6)
A16	5/8" X 10" HEX BOLTS A307 GRD.5 (BCT POSTS 2,4,5,6)
A17	RECTANGULAR WASHERS (FWR03) (FOR TERMINAL CONNECTOR RTE01b)
A18	7/8" X (LENGTH VARIES) HEX BOLTS A325 OR A449 GR.5
A19	1 3/4" O.D. HARDENED FLAT WASHER A325
A20	7/8" HEX NUT GR.5 A325

END ANCHOR (POST 1 & POST 2)	
ITEM	QTY
A	1
B	1
C	1
D	1
E	1
F	2
G	1
H	1
A1	2
A2	2
A3	18
A4	36
A5	22
A6	2
A7	2
A12	4

TL-3 SHORT RADIUS (POST 2 TO POST 7)	
ITEM	QTY
H	1
I	1
J	1
M	4
N	2
O	2
P	4
Q	2
A8	1
A9	1
A10	1
A11	48
A14	8
A15	8
A16	4

TL-3 TRANSITION (POST 7 TO POST 17)	
ITEM	QTY
I	2
K	1
L	1
P	1
Q	1
R	3
S	3
T	6
U	6
A12	24
A13	18
A14	2
A17	12
A18	5
A19	10
A20	5

TL-3 SHORT RADIUS GUARDRAIL COMPLETE SYSTEM	
ITEM	TOTAL QTY
A	1
B	1
C	1
D	1
E	1
F	2
G	1
H	2
I	3
J	1
K	1
L	1
M	4
N	2
O	2
P	5
Q	3
R	3
S	3
T	6
U	6
V	6
A1	2
A2	3
A3	26
A4	76
A5	42
A6	2
A7	2
A8	1
A9	1
A10	1
A11	48
A12	28
A13	18
A14	10
A15	8
A16	4
A17	12
A18	5
A19	10
A20	5


- GENERAL NOTES**
- FOR ADDITIONAL INSTALLATION INFORMATION AND GUIDANCE CONTACT: TEXAS DEPARTMENT OF TRANSPORTATION, (TXDOT'S DESIGN DIVISION), (512) 416-2678. THE EXACT POSITION OF MBGF SHALL BE SHOWN ELSEWHERE IN THE PLANS OR AS DIRECTED BY THE ENGINEER. THE SIGHT DISTANCE OF THE INSTALLATION WILL NEED TO BE VERIFIED WITH RESPECT TO THE SPECIFIC SITE PLACEMENT.
 - STEEL POSTS ARE NOT PERMITTED AT CRT OR BCT POST POSITIONS.
 - RAIL ELEMENT SHALL MEET THE REQUIREMENTS OF ITEM 540, "METAL BEAM GUARD FENCE" EXCEPT AS MODIFIED ON THE PLANS. THE CONTRACTOR MAY FURNISH RAIL ELEMENTS OF 12 1/2" OR 25 FOOT NOMINAL LENGTHS.
 - BUTTON HEAD "POST BOLTS & NUTS" SHALL MEET THE REQUIREMENTS OF (ASTM A307), AND SHALL BE OF SUFFICIENT LENGTH TO EXTEND THROUGH THE FULL THICKNESS OF THE NUT AND 5/8" WASHER (FWC16a) AND NOT MORE THAN 1" BEYOND IT. TRIM REMAINING BOLT LENGTH TO MEET REQUIRED LENGTH.
 - FITTINGS (BOLTS, NUTS, AND WASHERS) SHALL BE GALVANIZED IN ACCORDANCE WITH ITEM 445, "GALVANIZING." FITTINGS SHALL BE SUBSIDIARY TO THE BID ITEM.
 - CROWN SHALL BE WIDENED TO ACCOMMODATE THE METAL BEAM GUARD FENCE.
 - THE LATERAL APPROACH TO THE GUARD FENCE, SHALL HAVE A SLOPE RATE OF NOT MORE THAN 1V:10H.
 - IT IS NOT RECOMMENDED THAT GUARD FENCE BE PLACED IN THE VICINITY OF CURBS.
 - GUARDRAIL POSTS SHALL NOT BE SET IN CONCRETE, OF ANY DEPTH.
 - SPECIAL FABRICATION WILL BE REQUIRED FOR THRIE BEAM RAIL RADIUS (ITEM J).
 - ALL MATERIAL AND WORK INVOLVED IS SUBSIDIARY TO SHORT RADIUS BID ITEM, INCLUDING, BUT NOT LIMITED TO FOUNDATIONS, GRADING, THRIE BEAM RAIL, SAND BARRELS, AND OTHER PARTS.
 - ALL CABLE ASSEMBLIES SHOULD BE TAUT AFTER INSTALLATION. WHEN CABLES ARE MANIPULATED BY HAND THE CABLES SHOULD NOT MOVE MORE THAN 1" IN ANY DIRECTION PERPENDICULAR TO THE CABLE.
 - THE BCT BEARING PLATE INSTALLED AT POST 4 SHOULD BE ORIENTED SUCH THAT THE 3" DIMENSION FROM PLATE EDGE TO CENTER OF BOLT HOLE IS ON THE BOTTOM AND 5" DIMENSION FROM PLATE EDGE TO CENTER OF BOLT HOLE IS ON THE TOP.
 - FOUNDATION AT POST 1 SHALL BE CLASS C CONCRETE.
 - POST (1) IS NOT A CRASHWORTHY TERMINAL. THE DESIGN AND PLACEMENT OF POST (1) MUST BE OUTSIDE OF THE CLEAR ZONE OF THE SECONDARY ROADWAY USING THE RESPECTIVE CLEAR ZONE CRITERIA. PLEASE CONTACT THE DESIGN DIVISION (512) 416-2678 FOR ASSISTANCE IN DETERMINING THE APPROPRIATE USE AND/OR PLACEMENT OF THE SYSTEM IN CONSTRAINED LOCATIONS. THE PAYMENT OF THE COMPLETE SYSTEM WILL BE WITH BID ITEMS: 540 XXXX TL-3 31" SHORT RADIUS (COMPLETE).
 - TESTED TO MASH WITH A 3:1 SLOPE OR SHALLOWER IS PREFERABLE IN THE LIMITS OF THE TOP AND BOTTOM OF THE SLOPE AS SHOWN IN THE PLAN VIEW. IF FIELD CONDITIONS REQUIRE A STEEPER SLOPE, THIS MAY BE ALLOWABLE UP TO A 2:1 SLOPE. CONTACT THE DESIGN DIVISION FOR ADDITIONAL GUIDANCE.
 - THE BARRELS ARE ENERGY ABSORPTION ENERGITE III, MODEL 640 FILLED WITH 715 LB (-/-15) SAND; OR AN APPROVED EQUIVALENT. THE APPROXIMATE HEIGHT OF THE BARREL IS 41" (-/-).
 - ALTERNATE METHODS TO TERMINATE THE SRG ALONG THE PRIMARY ROADWAY ARE AVAILABLE WHEN SITE CONDITIONS DICTATE. CONTACT DESIGN DIVISION FOR DETAILS: 512 416-2678
- NOTE: SEE SHEET 1 OF 3.

SPECIAL APPLICATION NOTES.

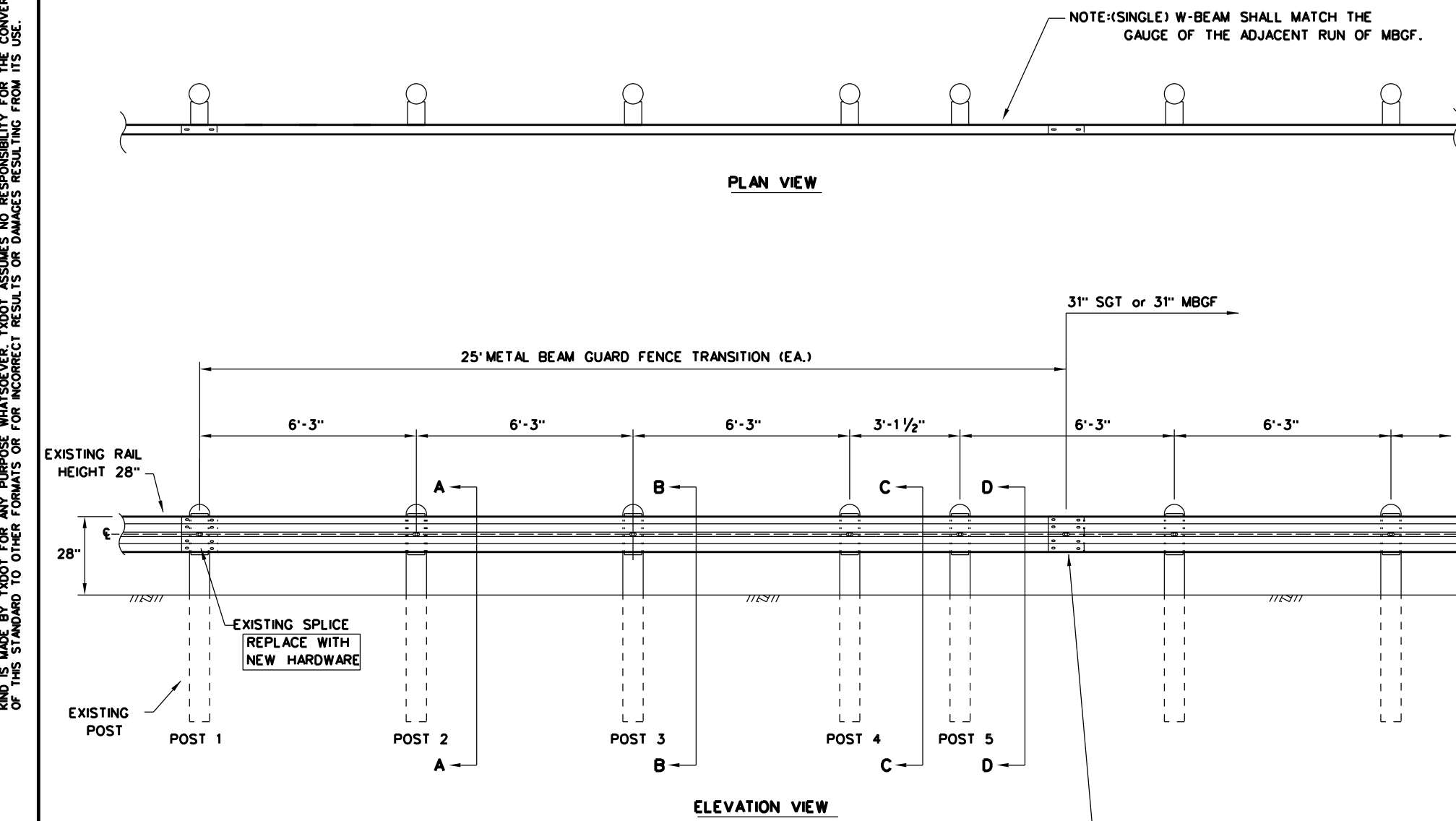
- THIS IS A MASH COMPLIANT TL-3 SHORT RADIUS GUARDRAIL SYSTEM WITH A TOP RAIL HEIGHT OF 31". AVAILABLE FOR USE ON ANY SPEED ROADWAY. THE SYSTEM REQUIRES A MINIMUM PLACEMENT FOOTPRINT OF 34'-10" ALONG THE PRIMARY ROAD AND A 35'-0" ALONG SECONDARY DRIVEWAY.
- IT IS CRITICAL THAT THE PRIMARY GUARDRAIL MAINTAIN A (4 DEGREE FLARE) WITH THE SECONDARY DRIVEWAY.
- THE SYSTEM REQUIRES A MINIMUM 5' WIDE (WORK ZONE) DIRECTLY BEHIND THE GUARDRAIL SYSTEM WITH A SLOPE AT 1V:10H OR FLATTER FROM THERE A MAXIMUM 3:1 SLOPE IS RECOMMENDED. SEE SHEET 1 OF 3 FOR FLARE AND SLOPE DETAILS.
- NOTE FOR INSTALLER: THE THREE (3) CRT POSTS ITEM (Q), AT POST LOCATIONS, 3, 7, & 8.), REQUIRE THE FOLLOWING FIELD ADJUSTMENT. USING A 3/4" X 10" LONG SPADE BIT DRILL ONE (1) ADDITIONAL HOLE 7-7/8" DIRECTLY BELOW THE EXISTING TOP HOLE TO ACCOMMODATE THE HARDWARE FOR THE 22" LONG BLOCKOUT. OPTION FOR ADDITIONAL 3/4" HOLE. THE 22" LONG BLOCKOUT (PDB01a) IS MANUFACTURED WITH TWO 3/4" DRILLED HOLES FOR THE POST HARDWARE, THEREFORE THE BLOCKOUT CAN BE USED AS A TEMPLATE GUIDE FOR THE BOTTOM 3/4" HOLE. AFTER INSTALLING THE CRT POST USE THE TOP HOLE TO MOUNT THE 22" LONG BLOCKOUT TO POST, USE THE BLOCKOUT'S PRE-DRILLED HOLE AS A GUIDE FOR THE BOTTOM 3/4" HOLE.

(MASH TL-3 COMPLIANT)
TESTED TO MASH TL-3 WITH A 3:1 SLOPE

SHEET 3 OF 3

 Texas Department of Transportation		Design Division Standard	
TL-3 SHORT RADIUS GUARDRAIL MASH COMPLIANT SRG(TL-3)-21			
FILE: srgtl321	TxDOT	CK:KM	DN: VP
© TxDOT: FEBRUARY 2021	CONT SECT	JOB	HIGHWAY
REVISIONS	6460	99	001 IH20, etc.
DIST	COUNTY		SHEET NO.
Abi	Taylor, ETC.		53

DISCLAIMER: THIS STANDARD IS GOVERNED BY THE "TEXAS ENGINEERING PRACTICE ACT". NO WARRANTY OF ANY KIND IS MADE BY TxDOT FOR ANY PURPOSE WHATSOEVER. TxDOT ASSUMES NO RESPONSIBILITY FOR THE CONVERSION OF THIS STANDARD TO OTHER FORMATS OR FOR INCORRECT RESULTS OR DAMAGES RESULTING FROM ITS USE.



GENERAL NOTES

1. THE TYPE OF POST (ROUND WOOD POST, RECTANGULAR WOOD POST, OR STEEL POST) WILL BE AS SHOWN IN THE PLANS. THE EXACT POSITION OF MBGF SHALL BE AS SHOWN IN THE PLANS OR AS DIRECTED BY THE ENGINEER. STEEL POSTS TO BE GALVANIZED IN ACCORDANCE WITH ITEM 445, "GALVANIZING."
2. RAIL ELEMENT SHALL MEET THE REQUIREMENTS OF ITEM 540, "METAL BEAM GUARD FENCE" EXCEPT AS MODIFIED IN THE PLANS. THE CONTRACTOR MAY FURNISH RAIL ELEMENTS OF 25'-0", OR 12'-6" (NOM.) LENGTHS. RAIL ELEMENTS MAY HAVE SLOTTED HOLES AT 3'-1/2" C-C OR 6'-3" C-C. A SPECIAL LENGTH OF RAIL MAY BE MANUFACTURED TO ACCOMMODATE THE TRANSITION SECTIONS OF GUARDRAIL.
3. BUTTON HEAD "POST" BOLTS (ASTM A307) SHALL BE OF SUFFICIENT LENGTH TO EXTEND THROUGH THE FULL THICKNESS OF THE NUT (ASTM A563) AND 5/8" ROUND WASHER (ASTM F436) AND NOT MORE THAN 1" BEYOND IT. BUTTON HEAD "SPLICE" BOLTS (ASTM A307) ARE 5/8" X 1-1/4" WITH 5/8" NUTS (ASTM A563).
4. FITTINGS (BOLTS, NUTS, AND WASHERS) SHALL BE GALVANIZED IN ACCORDANCE WITH ITEM 445, "GALVANIZING." FITTINGS SHALL BE SUBSIDIARY TO THE BID ITEM REQUIRING CONSTRUCTION OF THE TRANSITION.
5. CROWN SHALL BE WIDENED TO ACCOMMODATE THE METAL BEAM GUARD FENCE.
6. THE LATERAL APPROACH TO THE GUARD FENCE, SHALL HAVE A MAXIMUM SLOPE OF 1V:10H.
7. IF SHOWN ELSEWHERE IN THE PLANS OR AS DIRECTED BY THE ENGINEER, THE GUARD FENCE MAY BE FLARED AT A RATE OF 25:1 OR FLATTER.
8. APPLICATIONS IN SOLID ROCK ARE ONLY ALLOWED WITH STEEL POSTS. SEE GF(31) STANDARD FOR INSTALLATION GUIDANCE.
9. POSTS SHALL NOT BE SET IN CONCRETE.
10. UNLESS OTHERWISE SHOWN IN THE PLANS, A COMPOSITE MATERIAL BLOCK THAT MEETS THE REQUIREMENTS OF DMS-7210, "COMPOSITE MATERIAL POSTS AND BLOCKS FOR METAL BEAM GUARD FENCE" MAY BE SUBSTITUTED FOR BLOCKS OF SIMILAR DIMENSIONS. THE CONSTRUCTION DIVISION, TxDOT MAINTAINS A MATERIAL PRODUCER LIST (MPL) FOR PRODUCERS OF MATERIALS CONFORMING TO DMS-7210. ONLY PRODUCERS ON THE MPL MAY FURNISH COMPOSITE MATERIAL BLOCKS.
11. REFER TO STANDARD GF(31) FOR ADDITIONAL DETAILS.
12. RAIL HEIGHT ADJUSTMENT IS ASSESSED AT TL-3 MASH COMPLIANT FOR STEEL POST HEIGHT TRANSITION TO 28" STEEL POST GUARDRAIL.

* "WOOD" INDICATES DIMENSIONS FOR BOTH ROUND AND RECTANGULAR WOOD POST SYSTEMS.

(8) 5/8" DIA. X 1 1/4" GUARDRAIL SPLICE BOLTS WITH 5/8" NUTS (ASTM A563). (SEE GENERAL NOTE 3).

HARDWARE LIST	
QTY	DESCRIPTION
1	25'-0" W-BEAM RAIL ELEMENT 12GA. (TYP)
5	7 1/2" DIA X 6'-0" DOMED ROUND WOOD POSTS (TYP)
5	6" X 8" X 68" RECTANGULAR WOOD POSTS (TYP)
5	W6 X 8.5 OR W6 X 9 X 72" STEEL POSTS (TYP)
5	6" X 8" X 14" WOOD BLOCKS OR COMPOSITE (TYP)
5	5/8" X 18" GUARDRAIL BOLTS AND NUTS (FBB04)
5	5/8" ROUND WASHERS (ASTM F436)(FWC16a)
5	5/8" X 10" GUARDRAIL BOLTS AND NUTS (FBB03)
16	5/8" X 1- 1/4" GUARDRAIL SPLICE BOLTS WITH DOUBLE RECESSED NUTS (ASTM A563) (FBB01)

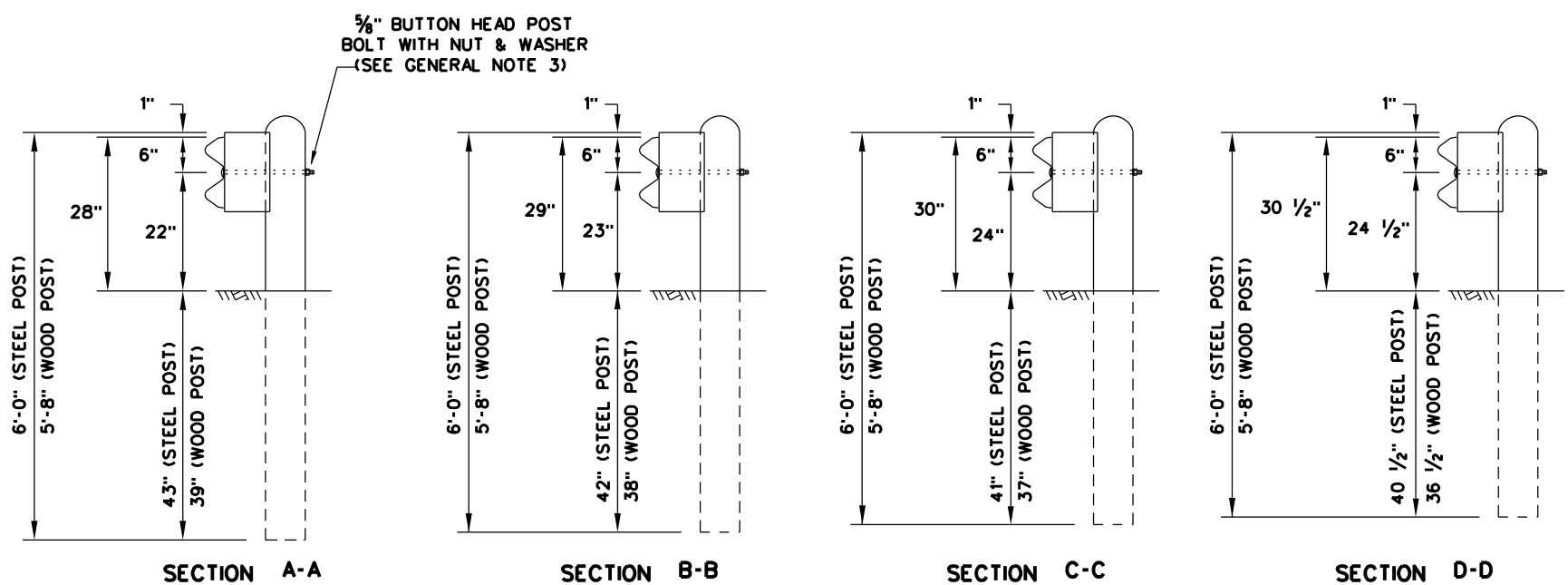
POST AND BLOCK-OUT TYPES AVAILABLE

FOR WOOD POST

FOR STEEL POST

NOTE: HARDWARE SHALL MEET THE FOLLOWING REQUIREMENTS.

GUARDRAIL POST BOLTS (ASTM A307 GR.A)
 GUARDRAIL ROUND WASHERS (ASTM F436)
 GUARDRAIL DOUBLE RECESSED NUTS (ASTM A563)
 GUARDRAIL SPLICE BOLTS (ASTM A307 GR.A)
 GUARDRAIL SPLICE NUTS (ASTM A563)



Texas Department of Transportation
 Design Division Standard

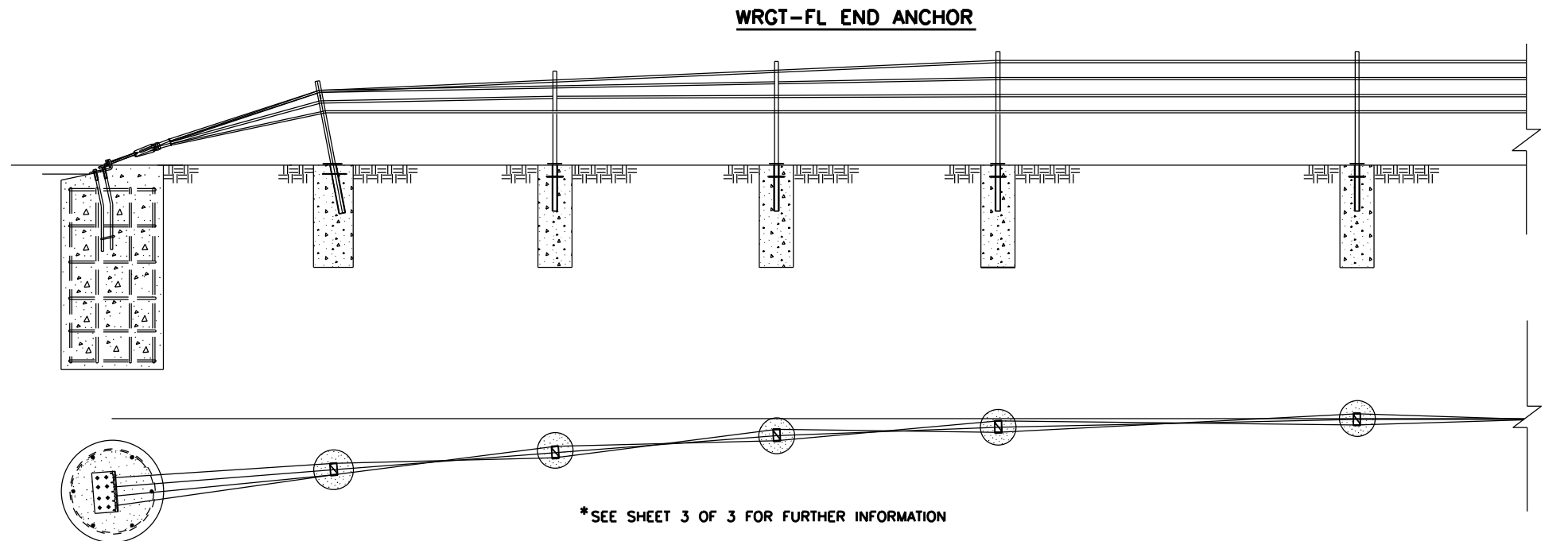
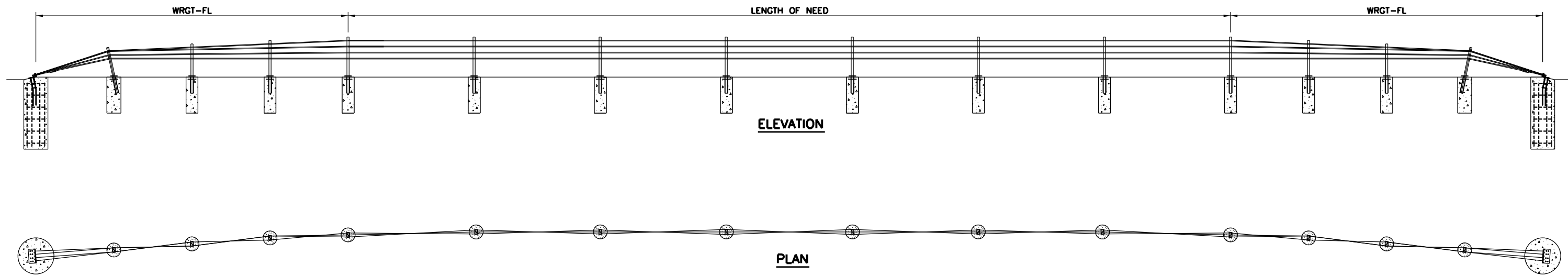
**METAL BEAM GUARD FENCE
 RAIL HEIGHT ADJUSTMENT
 (28" TO 31")
 TL-3 MASH COMPLIANT
 RAIL-ADJ(B)-19**

FILE: railadjb19	DN: TxDOT	CK: KM	DW: VP	CK: CGL/AG
© TxDOT: NOVEMBER 2019	CONT	SECT	JOB	HIGHWAY
REVISIONS	6460	99	001	IH20, etc.
	DIST	COUNTY		SHEET NO.
	Abi	Taylor, ETC.		54

DATE:
FILE:

DISCLAIMER: The use of this standard is governed by the "Texas Engineering Practice Act". No warranty of any kind is made by TxDOT for any purpose whatsoever. TxDOT assumes no responsibility for the conversion of this standard to other formats or for incorrect results or damages resulting from its use.

DATE:
FILE:



ROPE TENSION TABLE		
ROPE TEMP (°F)	TENSION (LBS)	TENSION (kN)
0	5700	25.4
5	5550	24.7
10	5400	24.0
15	5250	23.4
20	5100	22.7
25	4950	22.0
30	4800	21.4
35	4650	20.74
40	4500	20.0
45	4350	19.3
50	4200	18.7
55	4050	18.0
60	3900	17.3
65	3750	16.7
70	3600	16.0
75	3450	15.3
80	3300	14.7
85	3150	14.0
90	3000	13.3
95	2850	12.7
100	2700	12.0
105	2550	11.3
110	2400	10.7
115	2250	10.0
120	2100	9.3
125	1950	8.7
130	1800	8.0
135	1650	7.3
140	1500	6.7

* ROPE TENSION: ± 20% AFTER 2-WEEK INTERVAL

GENERAL NOTES:

- BRIFEN DRAWINGS, SPECIFICATIONS, AND PRODUCT MANUAL SHOULD BE REVIEWED PRIOR TO STARTING AN INSTALLATION. FOR ADDITIONAL INFORMATION OR QUESTIONS, CONTACT BRIFEN USA, INC. AT 1-866-427-4336.
- THE BRIFEN WRSF HAS BEEN SUCCESSFULLY TESTED TO NCHRP 350 TL-4 CONDITIONS ON SLOPES 6:1 OR FLATTER AND NCHRP 350 TL-3 CONDITIONS ON SLOPES 4:1 TO 6:1.
- THE POST SPACING SHALL BE DETERMINED BY THE SPECIFYING AGENCY. POST SPACING MAY BE DECREASED TO AVOID OBSTRUCTIONS OR UTILITIES. IN NO EVENT SHALL THE POST SPACING EXCEED 21'-0".
- BRIFEN WRSF SHALL BE PLACED ON A SMOOTH SURFACE, WITHOUT HUMPS, DROP-OFFS, HOLES, ETC THAT WOULD INTERFERE WITH THE STABILITY OF THE ERRANT VEHICLE. GRADING, FILL AND COMPACT MAY BE REQUIRED TO ASSURE THAT ROPES ARE INSTALLED AT THE DESIGN HEIGHT.
- THE WRGT-FL END ANCHOR HAS BEEN SUCCESSFULLY TESTED TO NCHRP 350 TL-3 CONDITIONS. THE LENGTH OF NEED BEGINS 31'-0" FROM THE END ANCHOR. POSTS A THROUGH POST B3, SPACED 6'-6" APART, HAVE WEAKENED CUTS AT THE GROUND THAT SHALL FACE THE ANCHOR.
- ANCHOR AND LINE POST DIMENSIONS AND STEEL REINFORCEMENT WILL BE DETERMINED ON PROJECT SPECIFIC SOIL CLASSIFICATION, PROPERTIES AND TEMPERATURE EXTREMES. CONTACT BRIFEN USA, INC. FOR ADDITIONAL INFORMATION.
- ALL REINFORCEMENT AND CONCRETE FOR THE ANCHORS AND LINE POSTS PROVIDED BY OTHERS.
- REINFORCEMENT AND CONCRETE PROPERTIES SHALL MEET AGENCY SPECIFICATIONS.
- FOR PLACEMENT NEAR GUARDRAIL OR OTHER OBSTACLES CONTACT BRIFEN USA, INC. FOR ADDITIONAL DRAWINGS AND SUPPORT.
- TAPER RATES FOR THE BRIFEN WRSF ARE AS FOLLOWS:
HORIZONTAL: 25:1 MAXIMUM, 50:1 PREFERABLE
VERTICAL: 25:1 MAXIMUM, 50:1 PREFERABLE

*SEE SHEET 3 OF 3 FOR FURTHER INFORMATION

SHEET 1 OF 3

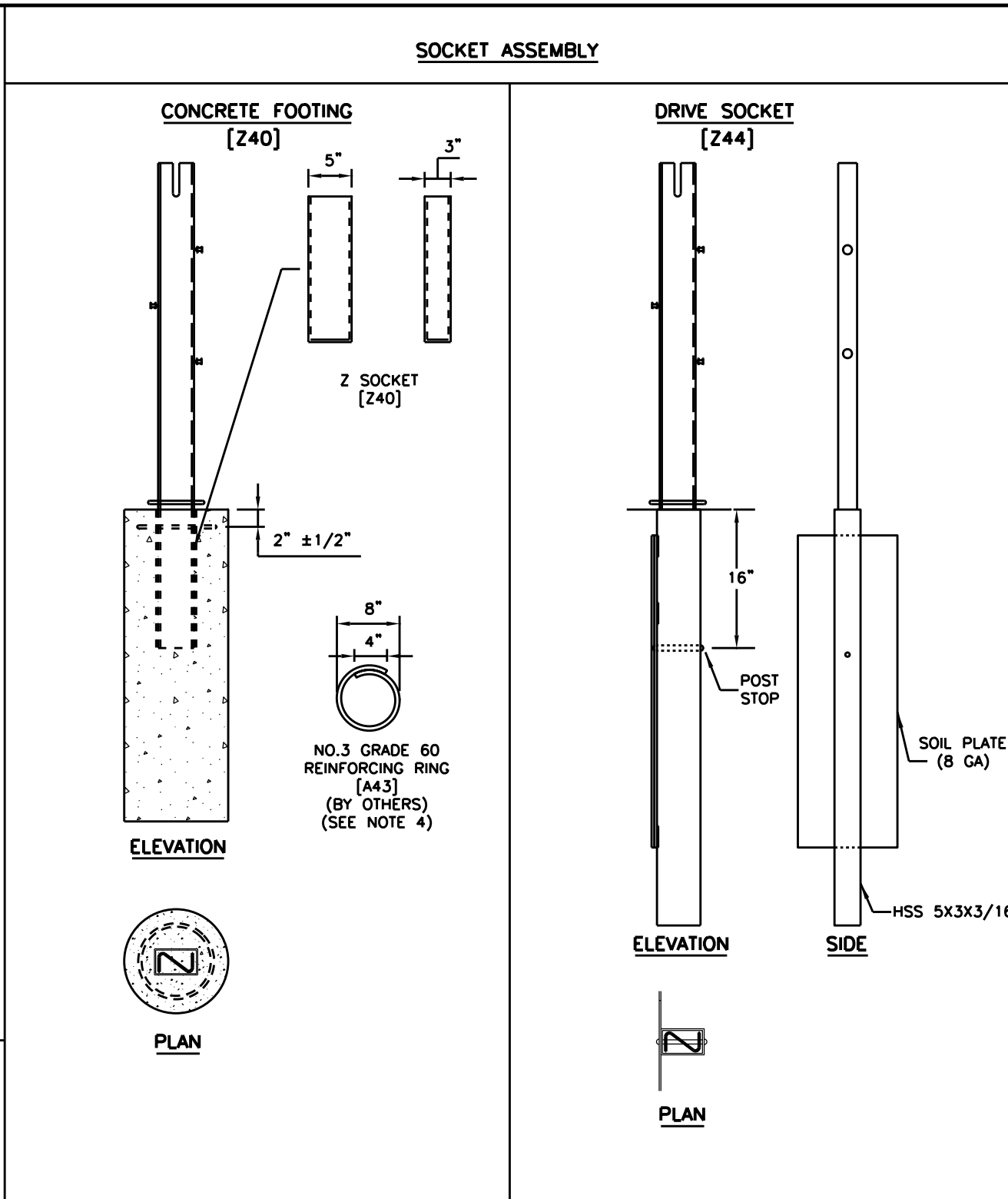
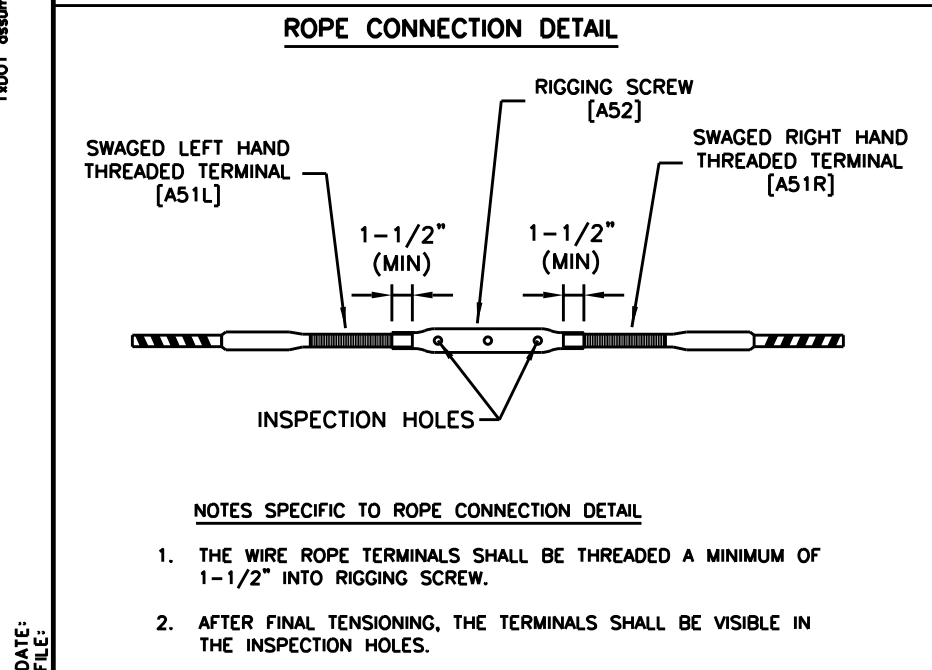
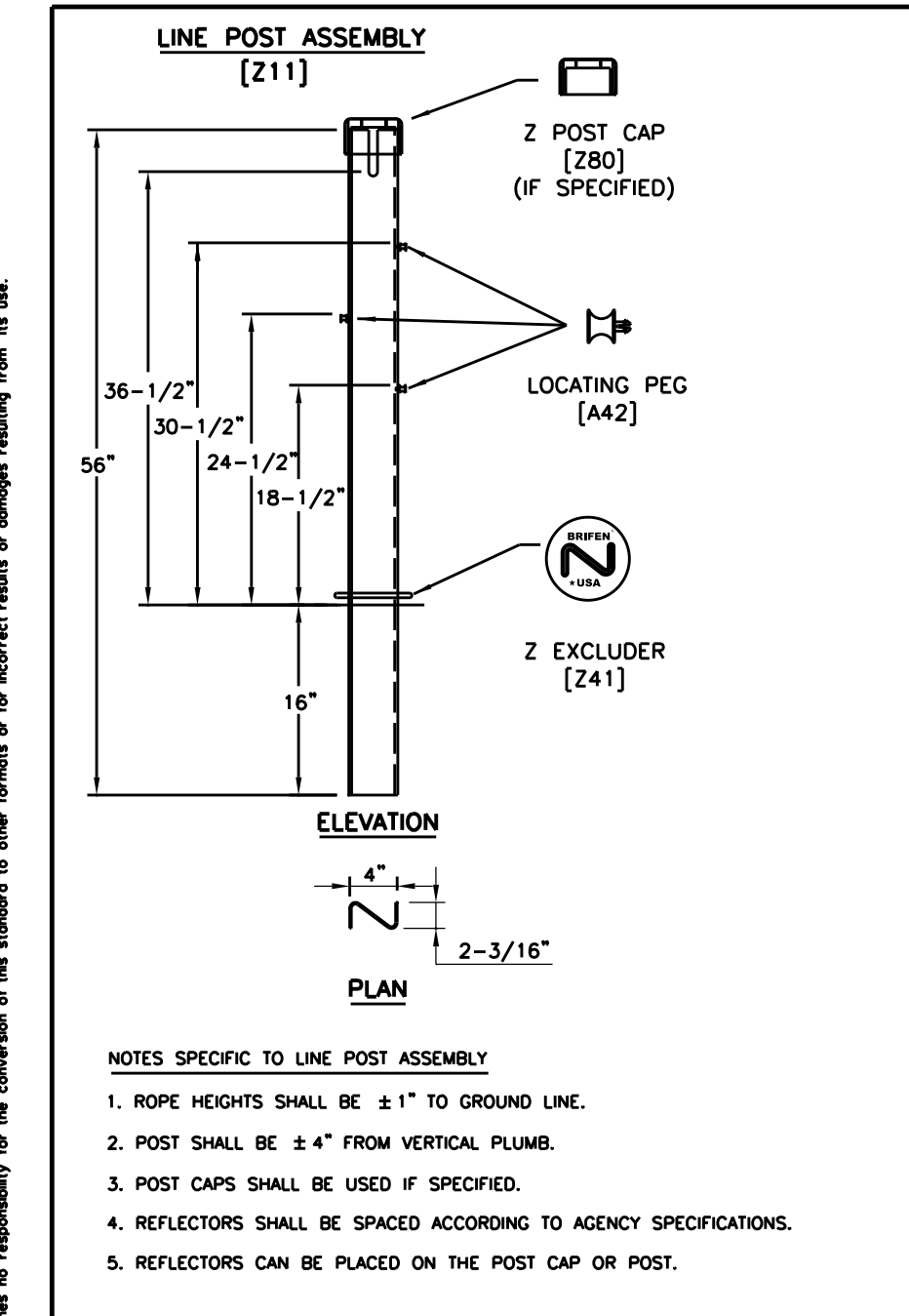


**BRIFEN
WIRE ROPE SAFETY FENCE
(TL-4)**

BRIFEN(TL4)-14

FILE: brifentl414.dgn	DN: TxDOT	CK: RM	DW: VP	CK:
©TxDOT: MARCH 2014	CONT	SECT	JOB	HIGHWAY
REVISIONS	6460	99	001	#20,etc.
	DIST	COUNTY		SHEET NO.
	Abi	Taylor, ETC.		55

DISCLAIMER: The use of this standard is governed by the "Texas Engineering Practice Act". No warranty of any kind is made by TxDOT for any purpose whatsoever. TxDOT assumes no responsibility for the conversion of this standard to other formats or for incorrect results or damages resulting from its use.



- GENERAL NOTES:**
1. BRIFEN DRAWINGS, SPECIFICATIONS, AND PRODUCT MANUAL SHOULD BE REVIEWED PRIOR TO STARTING AN INSTALLATION. FOR ADDITIONAL INFORMATION OR QUESTIONS, CONTACT BRIFEN USA, INC. 1-866-427-4336.
 2. THE BRIFEN WRSF HAS BEEN SUCCESSFULLY TESTED TO NCHRP 350 TL-4 CONDITIONS ON SLOPES 6:1 OR FLATTER AND NCHRP 350 TL-3 CONDITIONS ON SLOPES 4:1 TO 6:1.
 3. THE POST SPACING SHALL BE DETERMINED BY THE SPECIFYING AGENCY. POST SPACING MAY BE DECREASED TO AVOID OBSTRUCTIONS OR UTILITIES. IN NO EVENT SHALL THE POST SPACING EXCEED 21'-0".
 4. BRIFEN WRSF SHALL BE PLACED ON A SMOOTH SURFACE, WITHOUT HUMPS, DROP-OFFS, HOLES, ETC THAT WOULD INTERFERE WITH THE STABILITY OF THE ERRANT VEHICLE. GRADING, FILL AND COMPACTION MAY BE REQUIRED TO ASSURE THAT ROPES ARE INSTALLED AT THE DESIGN HEIGHT.

Texas Department of Transportation
Design Division Standard

BRIFEN WIRE ROPE SAFETY FENCE (TL-4)

BRIFEN(TL4)-14

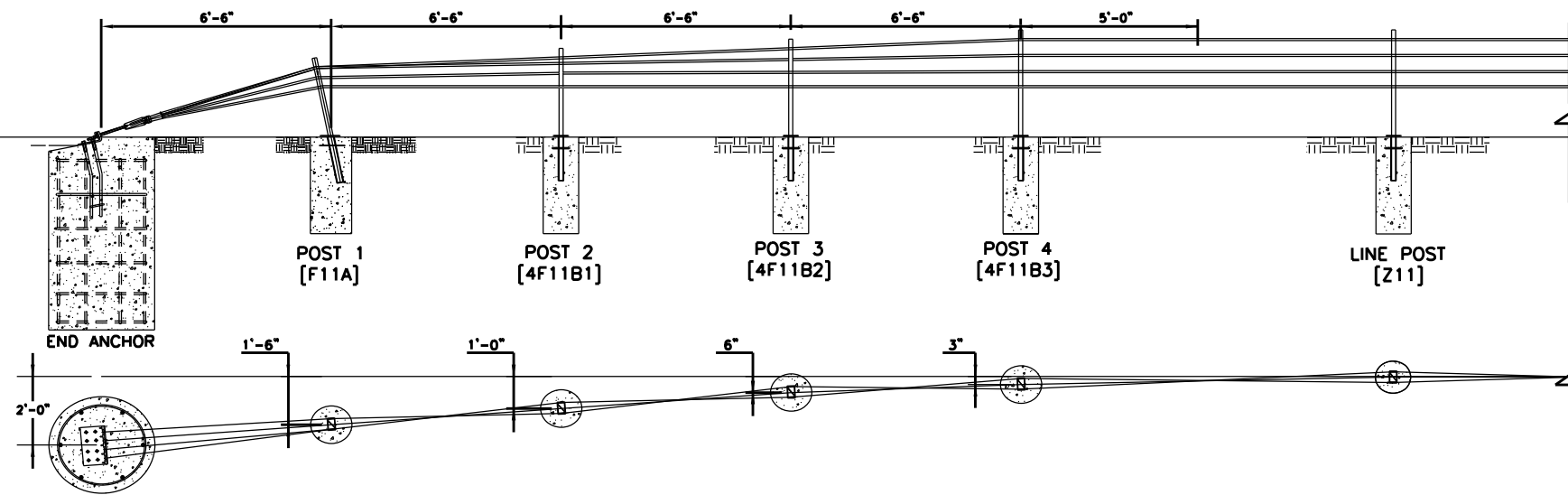
FILE: brifentl414.dgn	DN: TxDOT	CK: RM	DW: VP	CK:
© TxDOT: MARCH 2014	CONT	SECT	JOB	HIGHWAY
REVISIONS	6460	99	001	HW20, etc.
	DIST	COUNTY	SHEET NO.	
	Abi	Taylor, ETC.	56	

DATE: FILE:

DISCLAIMER: The use of this standard is governed by the "Texas Engineering Practice Act". No warranty of any kind is made by TxDOT for any purpose whatsoever. TxDOT assumes no responsibility for the conversion of this standard to other formats or for incorrect results or damages resulting from its use.

DATE: FILE:

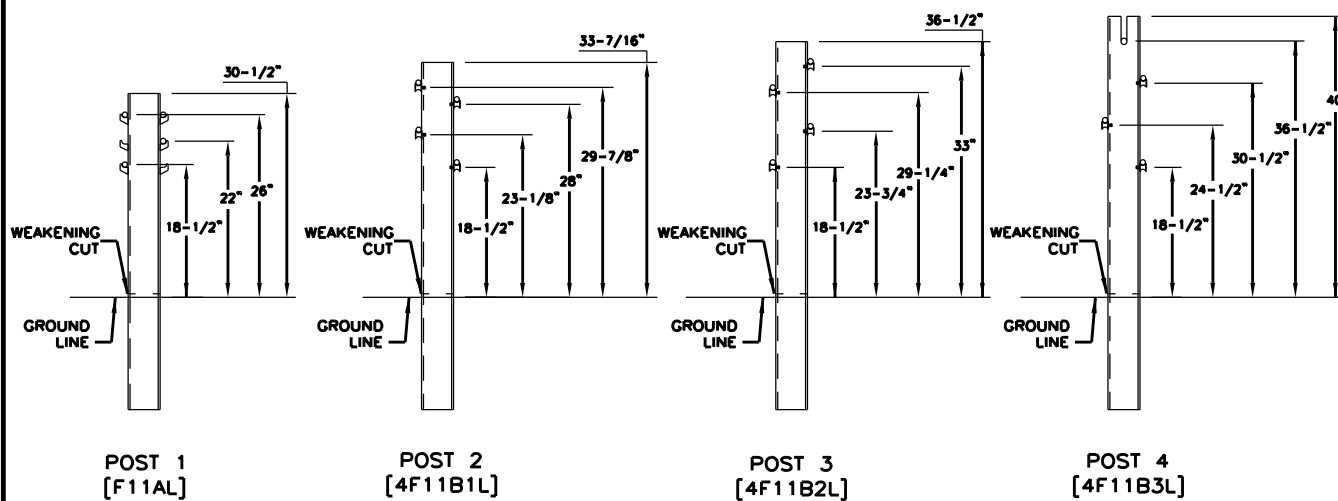
WRGT-FL END ANCHOR LAYOUT



GENERAL NOTES:

- BRIFEN DRAWINGS, SPECIFICATIONS, AND PRODUCT MANUAL SHOULD BE REVIEWED PRIOR TO STARTING AN INSTALLATION. FOR ADDITIONAL INFORMATION OR QUESTIONS, CONTACT BRIFEN USA, INC. AT 1-866-427-4336.
- THE WRGT-FL END ANCHOR HAS BEEN SUCCESSFULLY TESTED TO NCHRP 350 TL-3 CONDITIONS. THE LENGTH OF NEED BEGINS 31'-0" FROM THE END ANCHOR. POSTS A THROUGH POST B3, SPACED 6'-6" APART, HAVE WEAKENED CUTS AT THE GROUND THAT SHALL FACE THE ANCHOR.
- ANCHOR AND LINE POST DIMENSIONS AND STEEL REINFORCEMENT WILL BE DETERMINED ON PROJECT SPECIFIC SOIL CLASSIFICATION, PROPERTIES AND TEMPERATURE EXTREMES. CONTACT BRIFEN USA, INC. FOR ADDITIONAL INFORMATION.
- ALL REINFORCEMENT AND CONCRETE FOR THE ANCHORS AND LINE POSTS PROVIDED BY OTHERS.
- REINFORCEMENT AND CONCRETE PROPERTIES SHALL MEET AGENCY SPECIFICATIONS.
- FOR PLACEMENT NEAR GUARDRAIL OR OTHER OBSTACLES CONTACT BRIFEN USA, INC. FOR ADDITIONAL DRAWINGS AND SUPPORT.

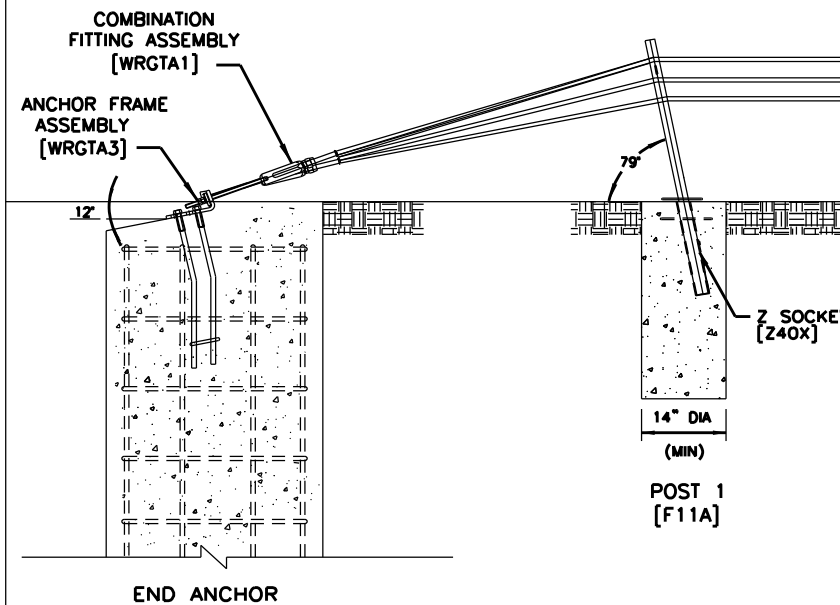
WRGT-FL POST DETAILS



NOTES SPECIFIC TO WRGT-FL POST DETAIL

- ROPE HEIGHTS SHALL BE $\pm 1"$ TO GROUND LINE.
- POST SHALL BE $\pm 4"$ FROM VERTICAL PLUMB.
- POST CAPS SHALL BE USED IF SPECIFIED.
- REFLECTORS SHALL BE SPACED ACCORDING TO AGENCY SPECIFICATIONS.
- REFLECTORS CAN BE PLACED ON THE POST CAP OR POST.
- Z EXCLUDER (Z41) SHALL BE USED.
- POST A & SOCKET SHALL BE PLACED $79^\circ (\pm 4^\circ)$ TOWARD END ANCHOR FROM THE HORIZONTAL PLANE.
- POST A SOCKET SHALL BE PLACED IN 14" (MIN) CONCRETE FOUNDATION. DEPTH TO BE DETERMINED FROM SOIL CONDITIONS AND PROJECT CONDITIONS.
- FOUNDATIONS FOR POST 2 THRU 4 SHALL BE THE SAME AS THE LINE POST ASSEMBLY'S FOR THE PROJECT.
- WEAKENED CUTS SHALL FACE END ANCHOR.

END ANCHOR DETAILS

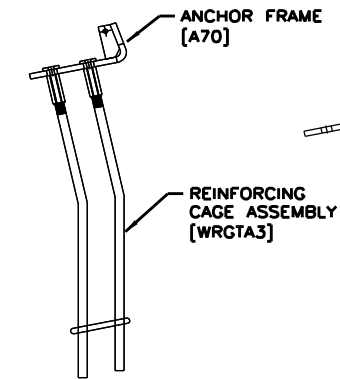


NOTES SPECIFIC TO END ANCHOR DETAIL

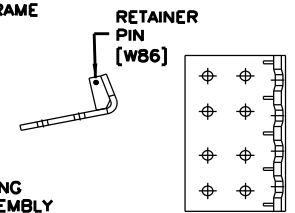
- THE END ANCHOR ASSEMBLY SHALL BE PLACED 12" (+3", -1") BELOW HORIZONTAL PLANE.
- POST 1 & SOCKET SHALL BE PLACED $79^\circ (\pm 4^\circ)$ TOWARD END ANCHOR FROM THE HORIZONTAL PLANE.
- POST 1 SOCKET SHALL BE PLACED IN 14" (MIN) CONCRETE FOUNDATION. DEPTH TO BE DETERMINED FROM SOIL CONDITIONS AND PROJECT CONDITIONS.

END ANCHOR COMPONENTS

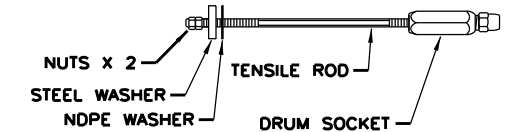
ANCHOR FRAME ASSEMBLY



ANCHOR FRAME [A70]



COMBINATION FITTING [WRGTA1]



SHEET 3 OF 3



Design
Division
Standard

BRIFEN WIRE ROPE SAFETY FENCE (TL-4)

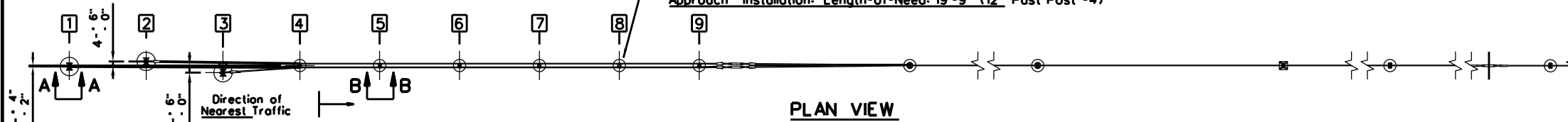
BRIFEN(TL4)-14

FILE: brifentl4.dgn	DN: TxDOT	CK: RM	DW: VP	CK:
© TxDOT: MARCH 2014	CONT	SECT	JOB	HIGHWAY
REVISIONS	6460	99	001	IH20, etc.
DIST	COUNTY		SHEET NO.	
Abi	Taylor, ETC.		57	

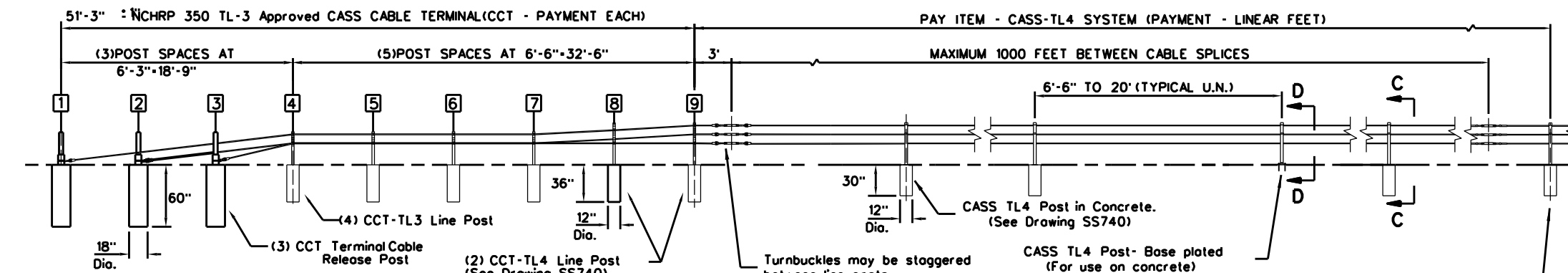
Preferred Installation: Locate post #2 away from nearest traffic.
System has been successfully tested with opposite installation.

Length-of-Need Cass Cable Terminal (CCT):

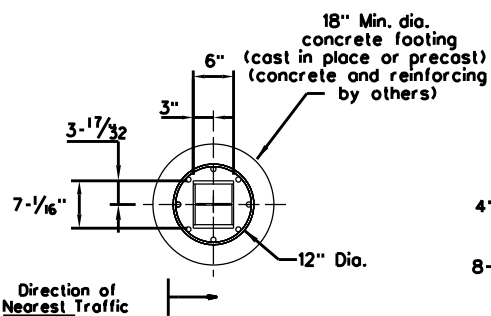
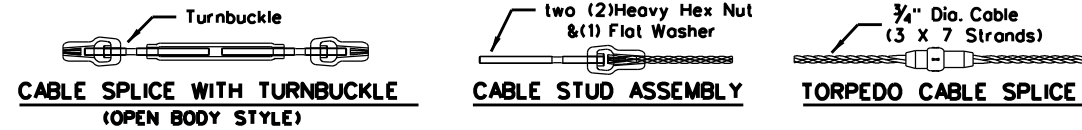
Departure Installation: Length-of-Need: 44'-9" (At Post #8)
Approach Installation: Length-of-Need: 19'-9" (12" Post Post #4)



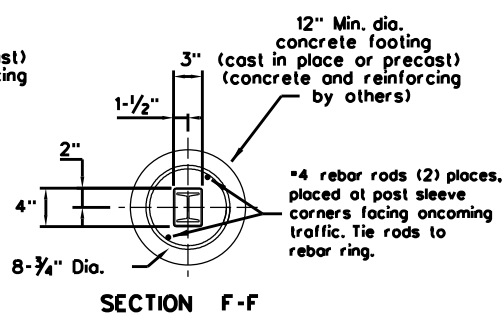
PLAN VIEW



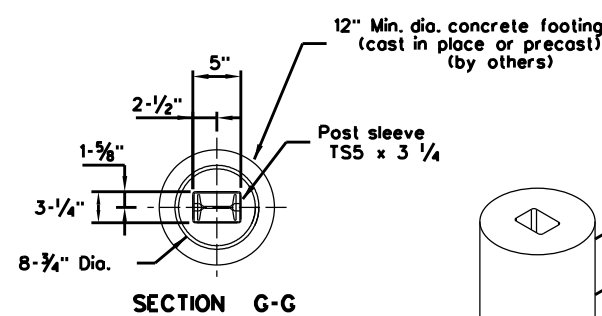
ELEVATION VIEW
(TYPICAL LAY-OUT)



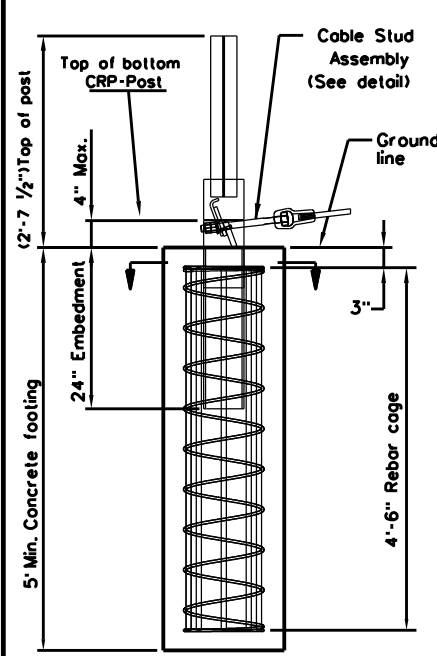
SECTION E-E



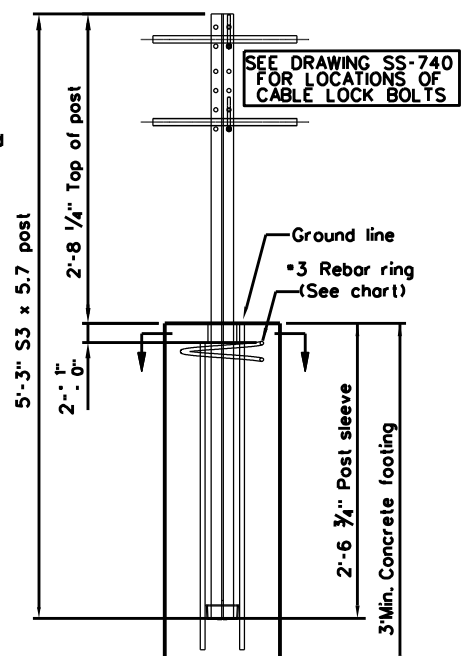
SECTION F-F



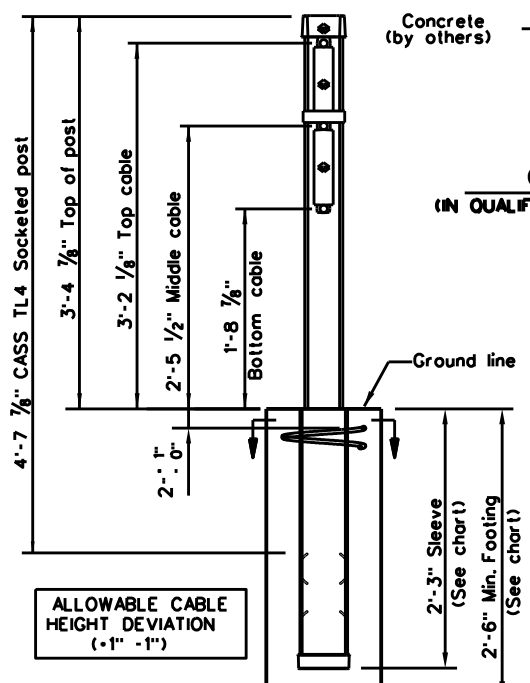
SECTION G-G



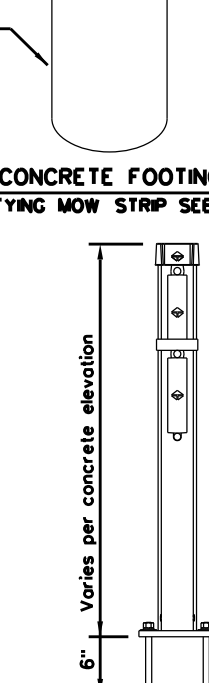
VIEW A-A
(CABLE RELEASE POST 1-3)



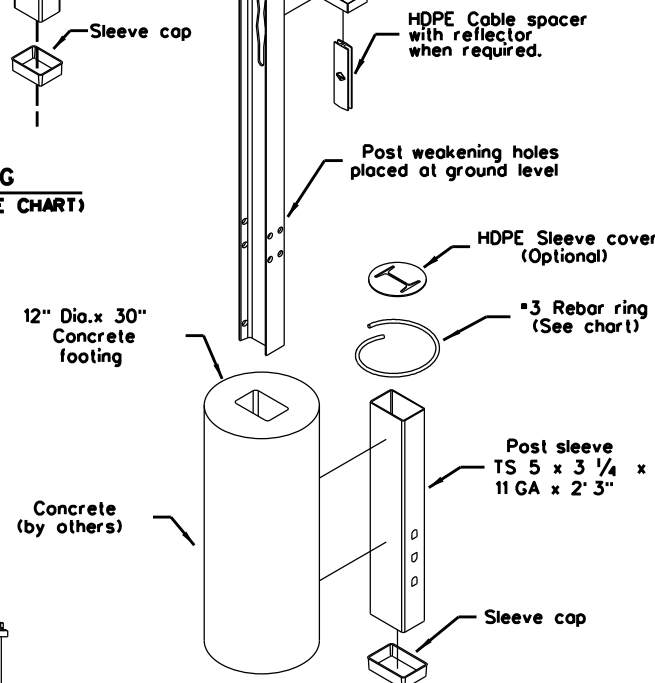
VIEW B-B
(TERMINAL LINE POST 4-7)



SECTION C-C
(SOCKETED POST)



SECTION D-D
(BASE PLATED POST)



STANDARD POST & CONCRETE FOOTING
(SOCKETED POST)

- GENERAL NOTES**
- This drawing is a general overview of CASS TL-4 Barrier System. See SS-740 (latest version) for specific details of CASS cable terminal (CCT) and cable safety system (CASS) requirements, proper installation, options and specification.
 - CASS is designed for bi-directional traffic flows and can be installed on either side of the median. Contact Trinity (800-527-6050) or consult the design, installation, or repair manual(s) for additional information.
 - All concrete for CASS footings shall be TxDOT class A. If class A or stronger concrete is utilized for the mowstrip, please see chart below for allowable footing depth and sleeve deviations.
 - All posts shall be socketed unless otherwise specified. All cables shall be pre-stretched unless otherwise specified.
 - For payment see Special Specification "Cable Barrier System".
 - CASS-TL4 shall be installed on shoulders or medians with slopes of 6:1 or flatter without obstructions, depressions, etc. That may significantly affect the stability of an errant vehicle. Grading of site and/or appropriate fill materials may be required. The designer/installer shall "Flatten" or "Round" various topographical inconsistencies that could interfere with the ability of the installer to consistently maintain the design height (in relation to the terrain) of the cables. Please consult manual(s) and / or TxDOT Memo(s) for installations in "Ditch Sections".
 - CASS TL-4 post spacing may be modified to avoid obstacles that conflict with the installation of coss-tl4 line posts or to reduce deflection on radiuses. No post space can exceed the maximum post TxDOT space limit of 20'. Reducing or increasing post spacing affects deflection. CASS TL-4 may be laterally transferred at a rate not to exceed 30:1.
 - Post foundations may be drilled through existing pavement. Please see line post foundation chart for minimum footing requirements in various applications.
 - For aesthetic purposes Trinity recommends all sleeves, driven posts, and lower cable release posts to be installed reasonably plumb (approximately 1/8" per foot).
 - CASS TL-4 shall be installed in well-drained, compacted, NCHRP Report 350 Standard soil. If soil does not meet this classification, if solid rock/concrete is encountered below grade or if soil is susceptible to severe freeze/thaw cycles, please contact Trinity about alternate footing design(s). Trinity suggests the use of "Mow strips" for erosion prevention and ease of maintenance / installation.
 - See the Texas MUTCD for proper "Barrier" Delineation.

MOW STRIP DETAIL		CONCRETE FOOTING CHART			
MOW STRIP	DEPTH	WIDTH	FOOTING	TUBE SLEEVE	REBAR RING
NONE			30" Min.	27" Min.	YES
HMA	6" Min.	3' Min.	27" Min.	15" Min.	NO
HMA	8" Min.	3' Min.	24" Min.	15" Min.	NO
RC	3" Min.	3' Min.	24" Min.	15" Min.	NO

Chart does not apply to Terminal Posts 1 thru 9.
- Mow strip or pavement.
HMA - Hot Mix Asphalt (Not Recycled Asphalt Pavement).
RC - Reinforced Concrete (TxDOT Class A Minimum).

Trinity Highway Products, LLC.
2525 Stemmons Freeway
Dallas, TX 75207
Phone: (800) 644-7976
Product.INFO@TRIN.NET

CABLE TENSION CHART	
FAHRENHEIT DEGREES	PRE-STRETCHED LB / FORCE
-10	7300
0	7000
10	6600
20	6300
30	6000
40	5600
50	5300
60	5000
70	4600
80	4300
90	4000
100	3600
110	3300
120	3000
130	2700
140	2500
150	2300

Allowable deviation from chart in tangent sections:
+800, -200 pounds/force. Cable tension readings are typically higher in curved cable sections.

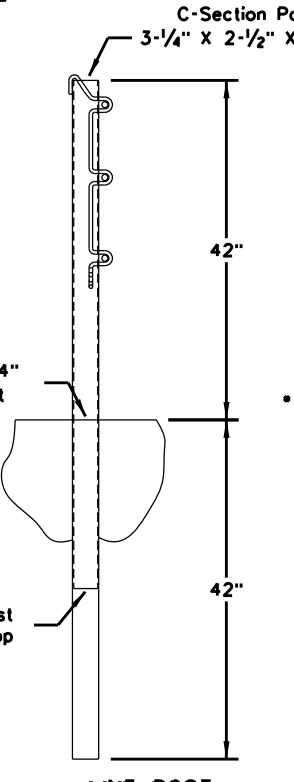
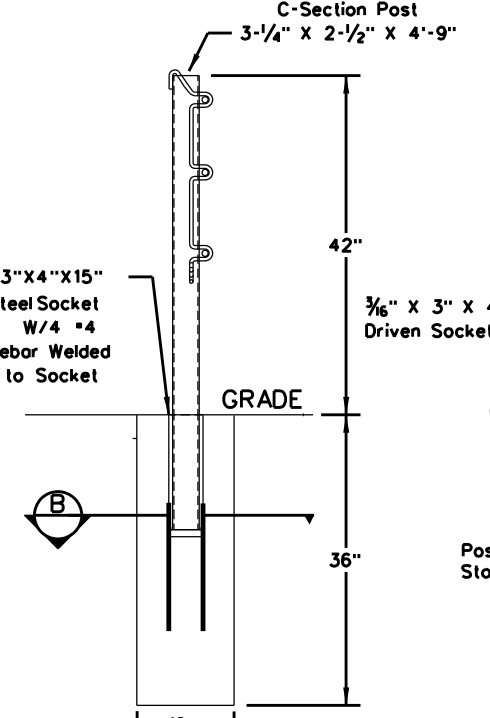
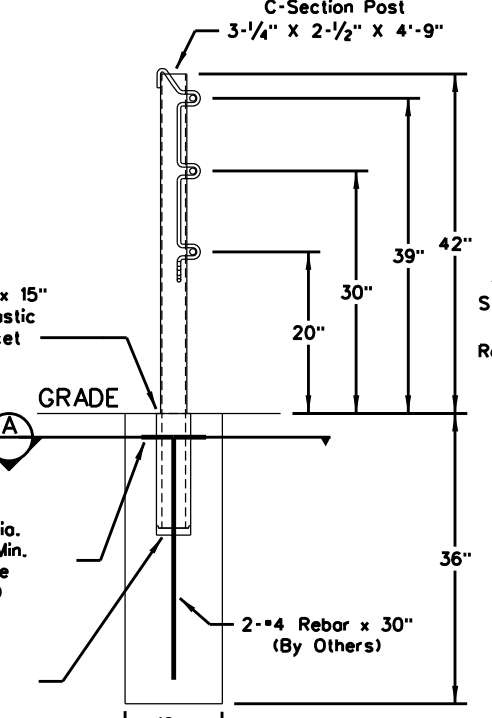
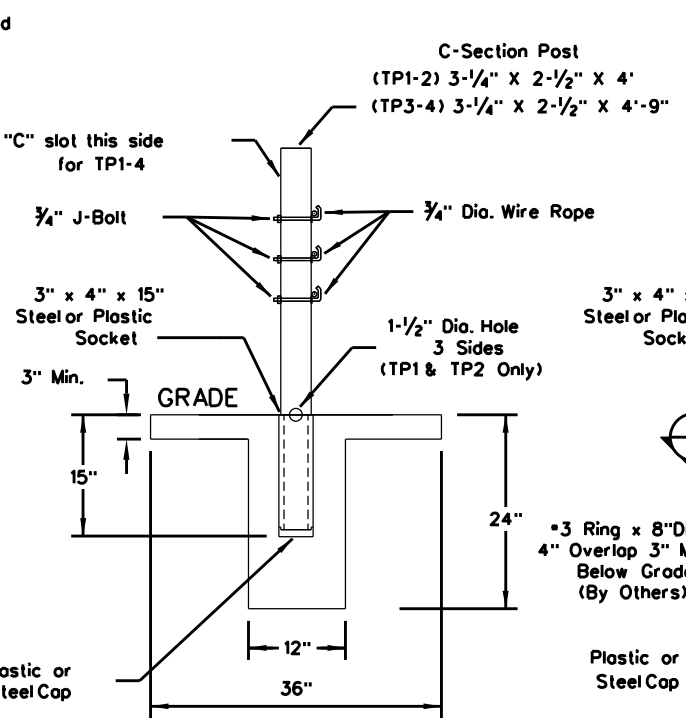
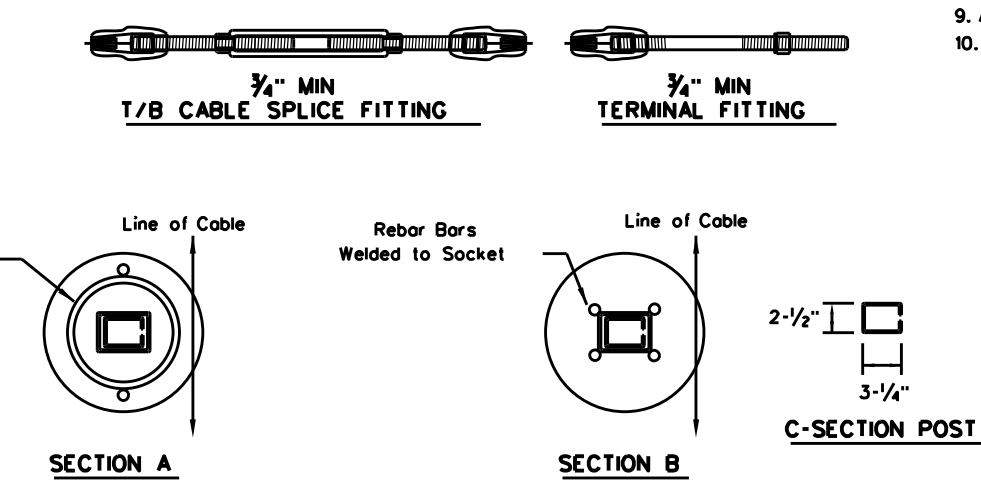
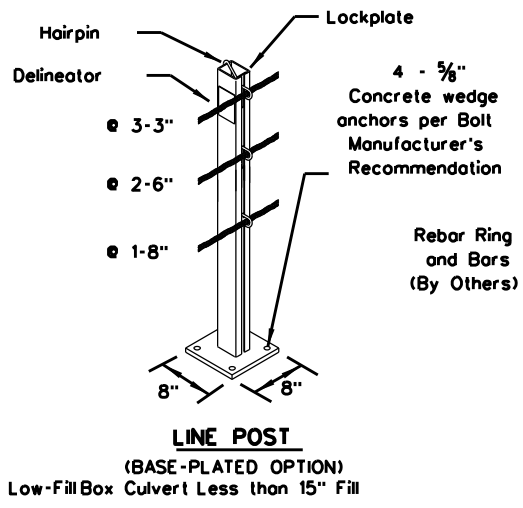
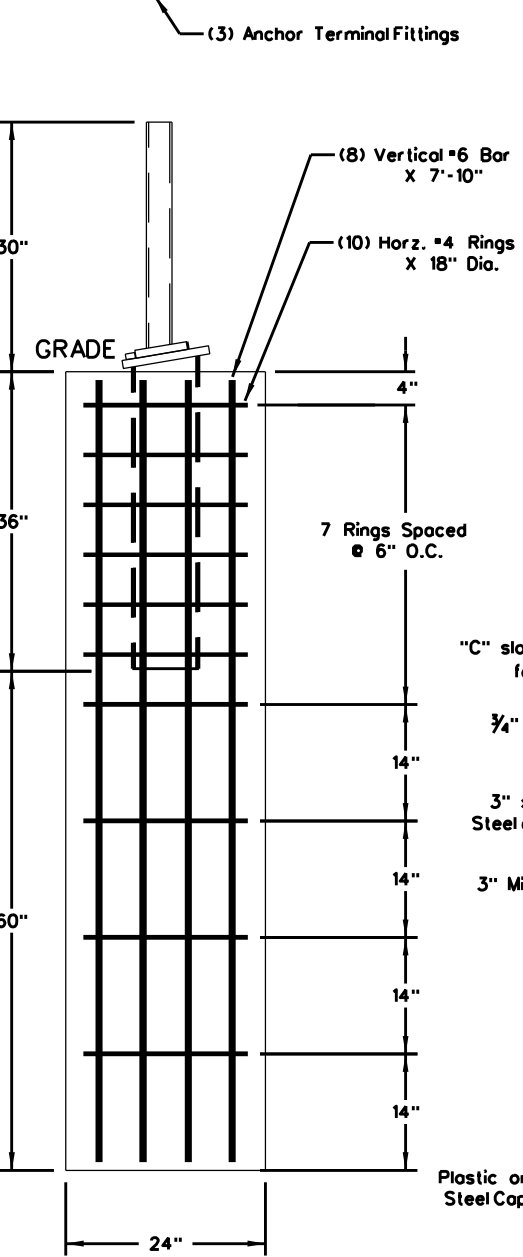
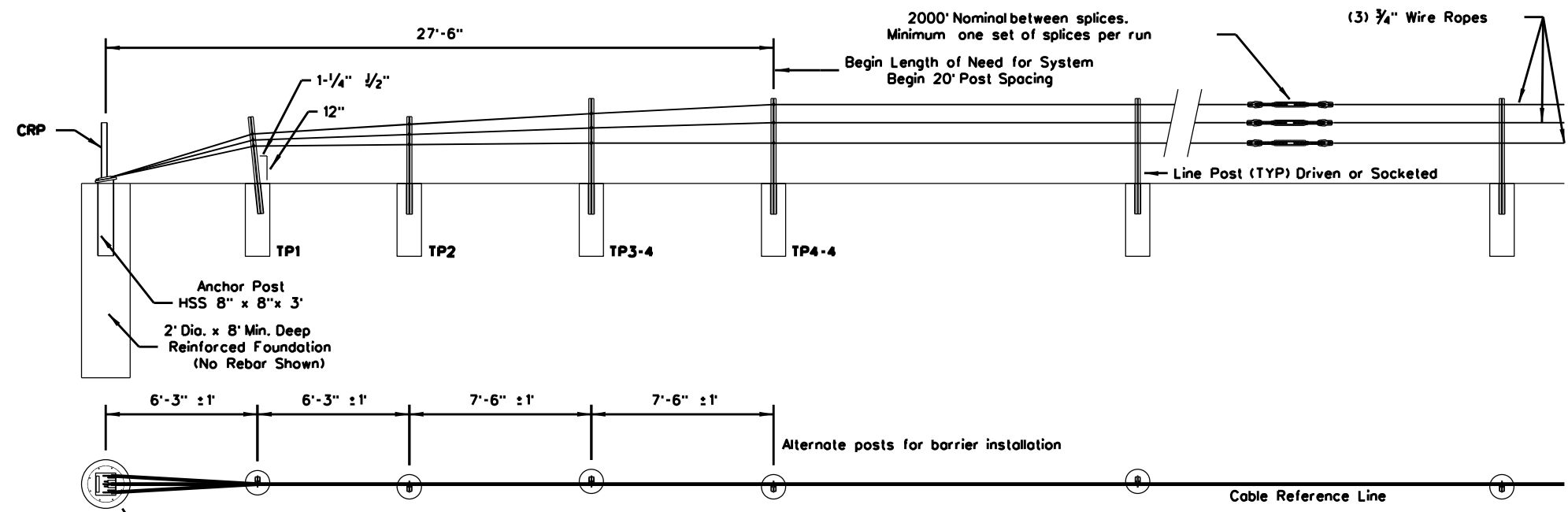
Texas Department of Transportation
TRINITY CABLE SAFETY SYSTEM (TL-4)
CASS(TL4)-14

FILE: casstl414.dgn	DN: TxDOT	CK: RM	DW: VP	CK:
©TxDOT: March 2014	CONT: 99	JOB: HIGHWAY		
REVISIONS	6460	99	001	#20, etc.
DIST: Abl	COUNTY: Taylor, ETC.	SHEET NO. 58		

DISCLAIMER: The use of this standard is governed by the "Texas Engineering Practice Act". No warranty of any kind is made by TxDOT for any purpose whatsoever. TxDOT assumes no responsibility for the conversion of this standard to other formats or for incorrect results or damages resulting from its use.

DATE: FILE:

DISCLAIMER: The use of this standard is governed by the "Texas Engineering Practice Act". No warranty of any kind is made by TxDOT for any purpose whatsoever. TxDOT assumes no responsibility for the conversion of this standard to other formats or for incorrect results or damages resulting from its use.



CABLE RELEASE AND ANCHOR POST

TERMINAL POST (SHOWN WITH TUBE PLATE OPTION)
(See Note 10)

LINE POST SOCKETED
(Shown with Rebar Ring/Bars Socket Option)
(See Note 9)

LINE POST SOCKETED
(Shown with Welded Rebar Socket Option)
(See Note 9)

LINE POST (DRIVEN OPTION)
(Shown with Driven Socket Option)
(See Note 9)

- GENERAL NOTES**
- For additional information contact Gibraltar, Inc. at 1-800-495-8957, 830-798-5444, or see the manufacturer's product manual.
 - All concrete shall be CLASS A.
 - The Cable Barrier System shall be installed on shoulders or on medians with slopes of 6:1 or flatter. If installed on slopes steeper than 6:1 up to 4:1 the TL-4 system performs as a TL-3 and Gibraltar must be contacted for various guidelines related to placement.
 - The Cable Barrier System is accepted by the FHWA Test Level - 4.
 - See the Texas MUTCD for proper "Barrier" delineation.
 - Rock Clause: Where solid rock is encountered:
 - For socketed post, continue digging 12" diameter, 15" deep into rock or the required plan depth, whichever comes first.
 - For driven post, core drill a 4" diameter hole 18" deep into rock or the required plan depth, whichever comes first.
 - For Anchor post, continue digging 24" diameter, 30" deep into rock or the required plan depth, whichever comes first.
 - Tolerances:
 - LP = 3" out of plumb, at top
 - Cable height = 1"
 - Anchor Post = 5" off of Cable Reference Line
 - The Gibraltar cable barrier system shall be installed in NCHRP Report 350 standard compacted soil. Soil must be well drained.
 - All non-welded rebar by others.
 - Minimum recommended line post foundation.
 - Without mowstrip, 36" Deep x 12" diameter foundations with #3 rebar ring x 8" diameter with two #4 rebar vertical bars 30" long
 - With 4" minimum depth hot mix asphalt, 30" deep x 12" diameter foundations with #3 rebar ring x 8" diameter with two #4 rebar vertical bars 30" long.
 - With 3" minimum depth concrete mowstrip, 24" deep x 12" diameter foundations. (No rebar required)
 - Direct drive post 42" deep.

CABLE TENSION CHART	
-10 °F	8000
0 °F	7600
10 °F	7200
20 °F	6800
30 °F	6400
40 °F	6000
50 °F	5600
60 °F	5200
70 °F	4800
80 °F	4400
90 °F	4000
100 °F	3600
110 °F	3200

DEFLECTION	
Deflection	Post Spacing
8'-0"	20 FT
7'-0"	12 FT
6'-8"	10 FT

• Allowable Deviation from Chart +/- 10%

Texas Department of Transportation
Design Division Standard

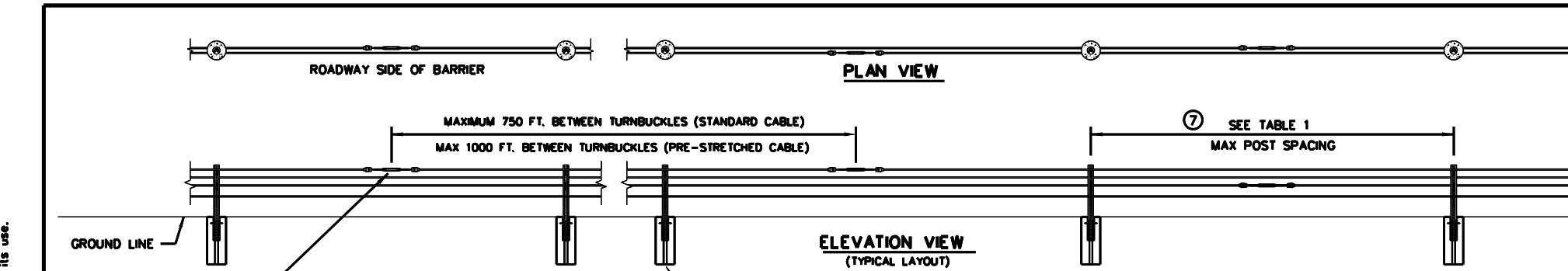
GIBRALTAR CABLE BARRIER SYSTEM (TL-4)

GBRLTR(TL4)-14

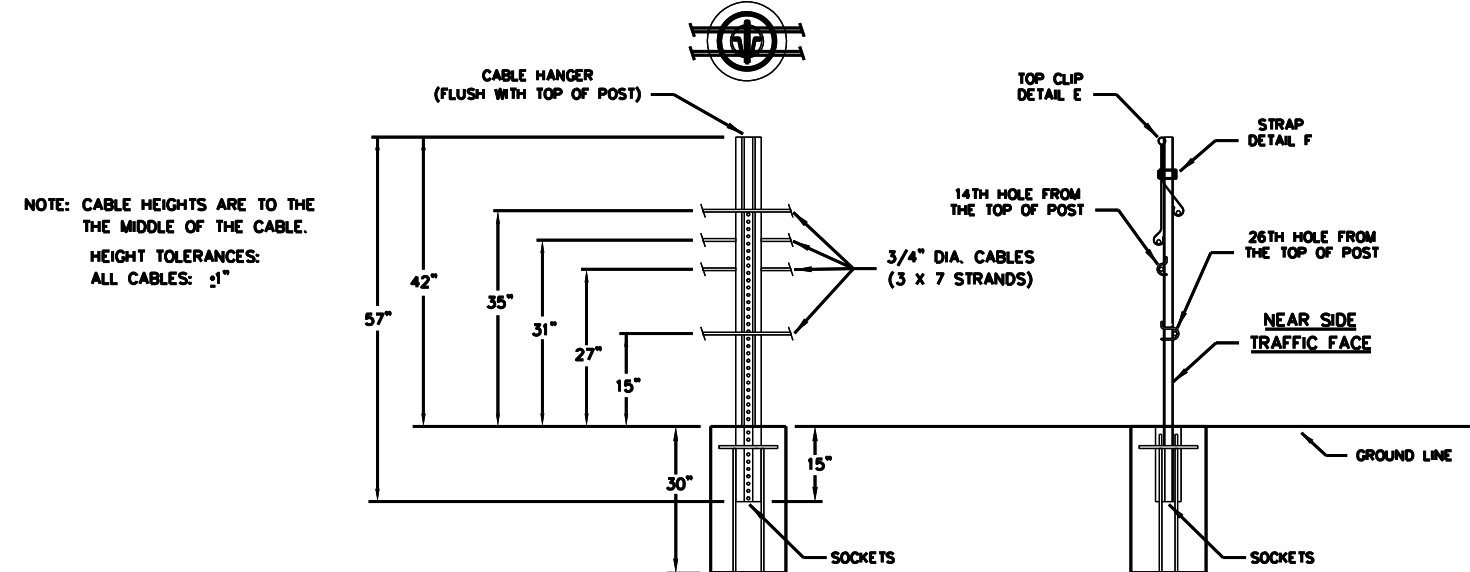
FILE: gbrltr1414.dgn	DN: TxDOT	CK: RM	DW: VP	CK:
© TxDOT: March 2014	CONT: 6460	SECT: 99	JOB: 001	HIGHWAY: H20, etc.
REVISIONS:	DIST: Abil	COUNTY: Taylor, ETC.	SHEET NO. 59	

DATE: FILE:

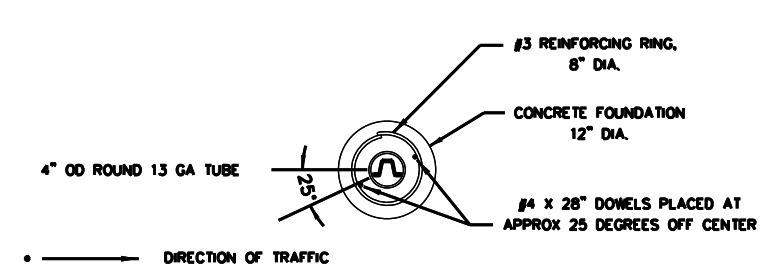
DISCLAIMER: The use of this standard is governed by the "Texas Engineering Practice Act". No warranty of any kind is made by TxDOT for any purpose whatsoever. TxDOT assumes no responsibility for the conversion of this standard to other formats or for incorrect results or damages resulting from its use.



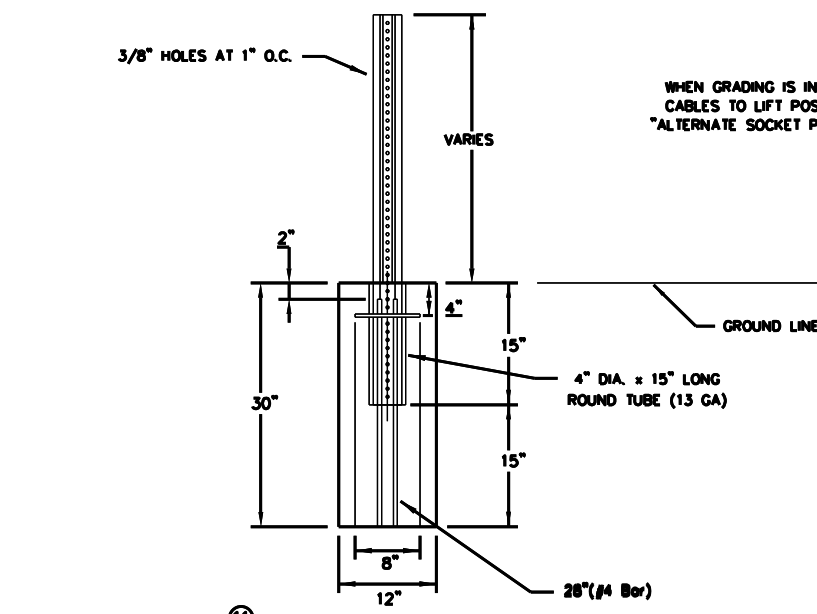
STAGGER PLACEMENT OF TURNBUCKLES LINE TO LINE BETWEEN POSTS.
 NOTE: TURNBUCKLES MAY BE SWAGED OR WEDGE FITTINGS.
 Rib-Bok™ CABLE LINE POST (SOCKET OPTION)
 30" DEEP X 12" DIA. CONCRETE FOOTING



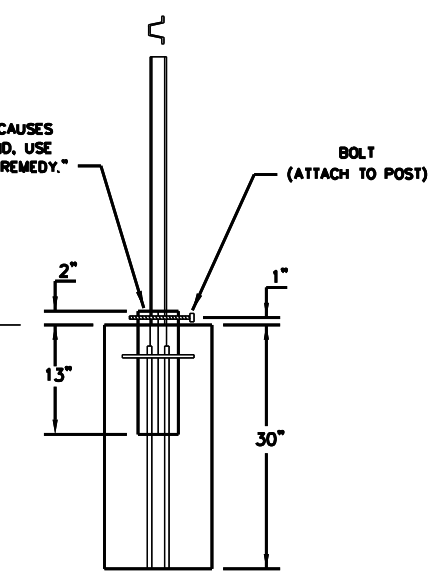
NOTE: CABLE HEIGHTS ARE TO THE MIDDLE OF THE CABLE.
 HEIGHT TOLERANCES:
 ALL CABLES: ±1"



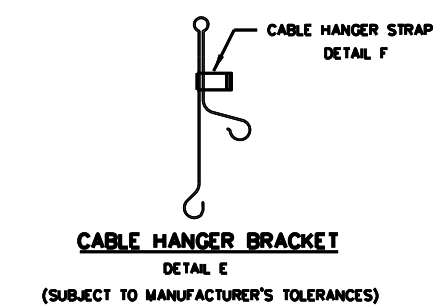
LENGTH OF NEED POSTS
 MEDIAN CONFIGURATION
INSTALLATION DETAIL
 4 CABLE 6:1



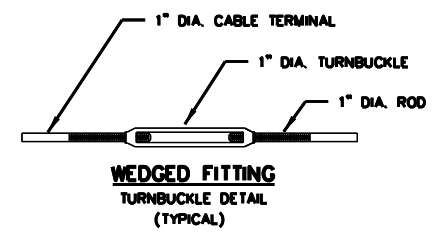
SOCKETED POST OPTION
 (TYPE S POST)



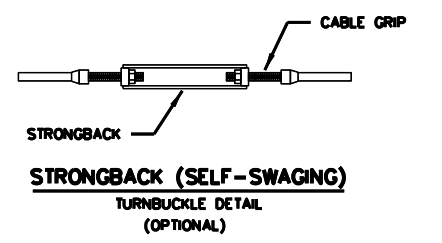
ALTERNATE SOCKET PLACEMENT
 (TYPE S POST)



CABLE HANGER BRACKET
 DETAIL E
 (SUBJECT TO MANUFACTURER'S TOLERANCES)



WEDGED FITTING
 TURNBUCKLE DETAIL
 (TYPICAL)



STRONGBACK (SELF-SWAGING)
 TURNBUCKLE DETAIL
 (OPTIONAL)

GENERAL NOTES

- FOR ADDITIONAL INFORMATION CONTACT YOUR DISTRIBUTOR OR NUCOR STEEL MARION, INC. AT (740) 383-4011.
- FOR PAYMENT SEE SPECIAL SPECIFICATION "CABLE BARRIER SYSTEM".
- FOR ADDITIONAL INFORMATION SEE THE MANUFACTURER'S PRODUCT MANUAL.
- THE NU-CABLE SYSTEM IS DESIGNED FOR BI-DIRECTIONAL TRAFFIC FLOWS. SEE THE MANUFACTURER'S PRODUCT MANUAL FOR PLACEMENT ADJACENT TO GUARDRAIL END TREATMENTS.
- THE NU-CABLE SYSTEM SHALL BE INSTALLED ON MEDIANS WITH SLOPES OF 6:1 OR FLATTER WITHOUT OBSTRUCTIONS, DEPRESSIONS, ETC; THAT MAY SIGNIFICANTLY AFFECT THE STABILITY OF AN ERRANT VEHICLE.
- THE NU-CABLE SYSTEM MAY BE INSTALLED ON EITHER SIDE OF THE ROADWAY. Rib-Bok™ CABLE LINE POSTS MAY BE SOCKETED OR DRIVEN DESIGN.
- THE TL-4 FOR 6:1 SLOPES CAN USE 4# / LF POST. SEE TABLE #1 FOR POST SIZE PER SPACING.
- SEE (TABLE 2) FOR TENSION AMOUNT AT SPECIFIC CABLE TEMPERATURE FOR INITIAL INSTALLATION.
- SEE (TABLE 3) FOR TENSION AMOUNT AT SPECIFIC CABLE TEMPERATURE FOR MAINTENANCE.
- FOURTH (LOWEST) CABLE IS NOT OPTIONAL ON THE TL-4 SYSTEM.
- CONSULT YOUR PROJECT PLAN SHEETS AND CABLE BARRIER SPECIFICATIONS FOR DESIRED SOCKET MATERIAL.
- ALL FOUNDATION DESIGNS ARE BASED ON NCHRP 350 STRONG (S1) SOIL. CONSULT THE MANUFACTURER FOR SPECIFIC FOUNDATION DESIGN IF SOIL TYPES DIFFER.

TABLE 1

POST SIZE TABLE	
POST SPACING	POST SIZE
0' - 17'-6"	4# / LF X 4' OR 6' POST
17'-6" - 20'	5# / LF X 4' POST

POST SPACING IS PER 8 FOOT DEFLECTION REQUIREMENTS. CONSULT PRODUCT MANUAL IF GREATER DEFLECTION IS PERMISSIBLE.

TABLE 2

CABLE TENSION CHART	
INITIAL INSTALL	
F	LBF
120	4624
110	4986
100	5350
90	5713
80	6077
70	6440
60	7167
50	7894
40	8619
30	9346
20	10073
10	10800
0	11525
-10	12252
-20	12979
-30	13706

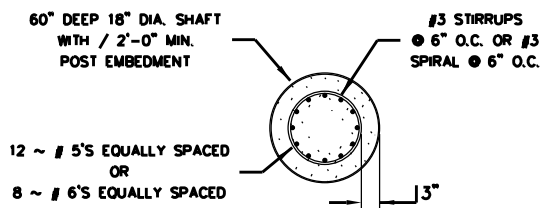
TABLE 3

CABLE TENSION CHART	
MAINTENANCE	
F	LBF
120	4021
110	4336
100	4652
90	4968
80	5284
70	5600
60	6232
50	6864
40	7495
30	8127
20	8759
10	9391
0	10022
-10	10654
-20	11286
-30	11918

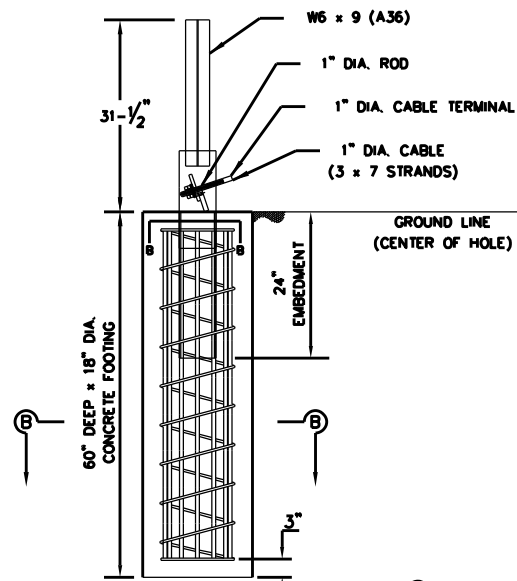
		Design Division Standard	
NU-CABLE BARRIER SYSTEM (TL-4) (4 CABLE) NU-CABLE(TL4)-14			
FILE:	DN:	CK:	DW:
© TxDOT:	CONT:	SECT:	JOB:
REVISIONS	6460	99	001
	DIST:	COUNTY:	SHEET NO.
	Abi	Taylor, ETC.	60

DATE:
 FILE:

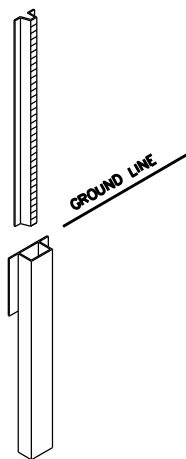
DISCLAIMER: The use of this standard is governed by the "Texas Engineering Practice Act". No warranty of any kind is made by TxDOT for any purpose whatsoever. TxDOT assumes no responsibility for the conversion of this standard to other formats or for incorrect results or damages resulting from its use.



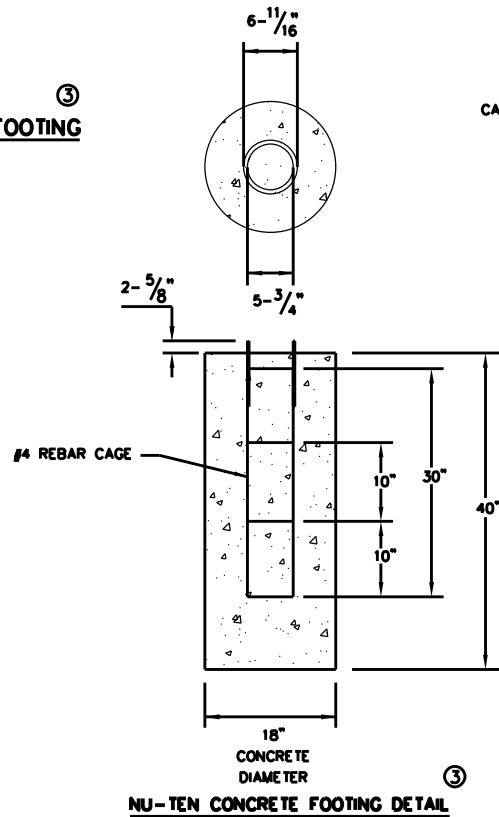
SECTION B-B
(CABLE RELEASE POST)



DETAIL A - CRP IN CONCRETE FOOTING
(3000 PSI MIN CONCRETE)



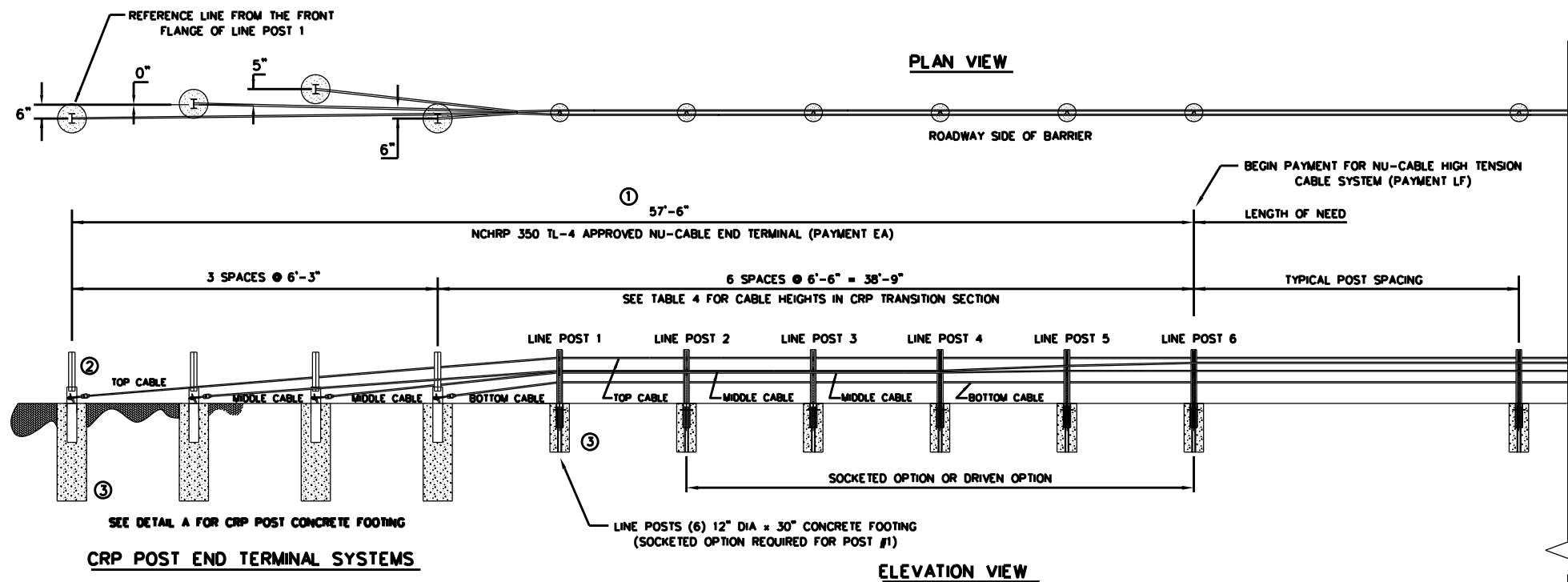
DRIVEN SOCKET OPTION



NU-TEN CONCRETE FOOTING DETAIL

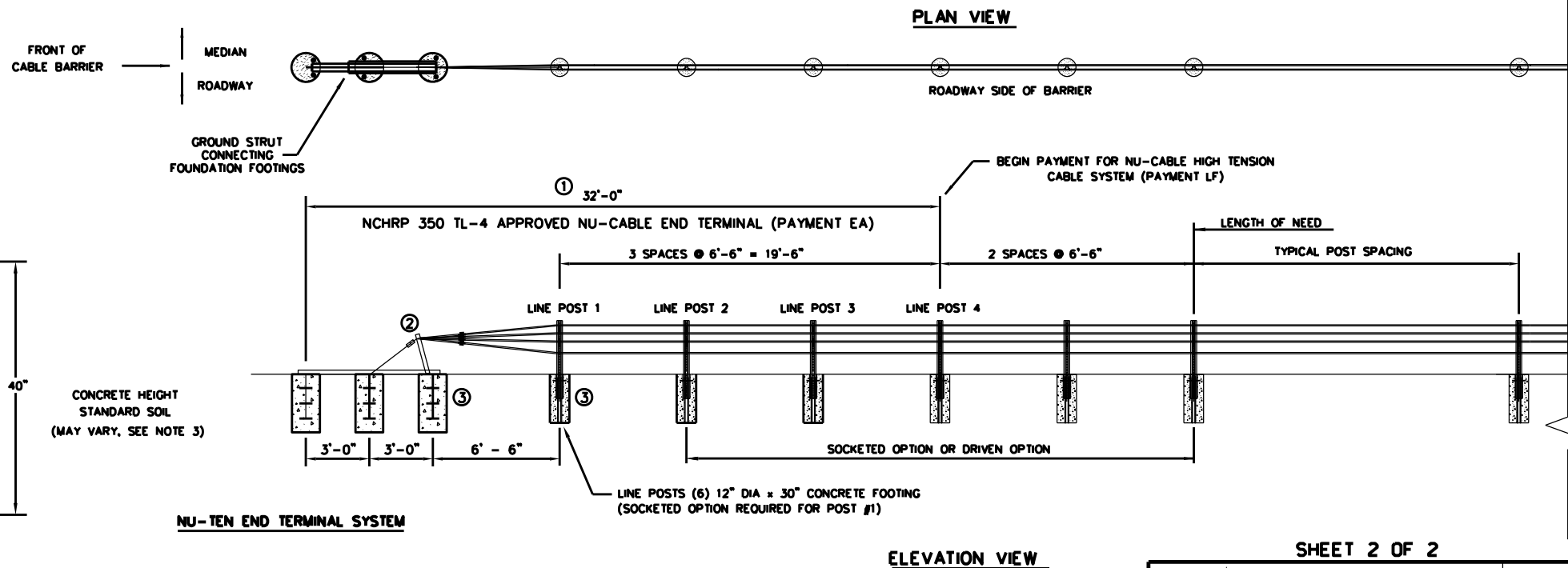
TABLE 4

CRP END TERMINAL CABLE HEIGHTS - TL-4						
	LP 1	LP 2	LP 3	LP 4	LP 5	LP 6
TOP CABLE	34"	34"	34"	34"	34"	34"
UPPER-MIDDLE CABLE	27"	27"	27"	27"	28"	31"
BOTTOM-MIDDLE CABLE	24"	24"	24"	24"	24"	24"
BOTTOM CABLE	15"	15"	15"	15"	15"	15"



CRP POST END TERMINAL SYSTEMS

① THE OPPOSING END TREATMENTS ON A PARTICULAR RUN ARE MIRRORED IN THEIR LAYOUT.



NU-TEN END TERMINAL SYSTEM

NOTES

1. THE OPPOSING END TREATMENTS ON A PARTICULAR RUN ARE MIRRORED IN THEIR LAYOUT. SYSTEM PAYMENT IS PER EACH (EA). REFER TO PROJECT SPECIFICATIONS FOR ADDITIONAL PAYMENT INFORMATION
2. REFER TO INSTALLATION MANUAL FOR CABLE END ASSEMBLY DETAIL.
3. ALL FOUNDATION DESIGNS ARE BASED ON NCHRP 350 STRONG (S1) SOIL. CONSULT THE MANUFACTURER FOR SPECIFIC FOUNDATION DESIGNS IF SOIL TYPES DIFFER.
4. SEE TABLE 4 CABLE HEIGHTS IN CRP TRANSITION SECTION.

Texas Department of Transportation
Design Division Standard

NU-CABLE BARRIER SYSTEM (TL-4) (4 CABLE)

NU-CABLE(TL4)-14

FILE:	DN:	CK:	DW:	CK:
© TxDOT:	CONT:	SECT:	JOB:	HIGHWAY:
REVISIONS	6460	99	001	IH20,etc.
	DIST:	COUNTY:	SHEET NO.	
	Abi	Taylor, ETC.	61	

DATE:
FILE:

DISCLAIMER: The use of this standard is governed by the "Texas Engineering Practice Act". No warranty of any kind is made by TxDOT for any purpose whatsoever. TxDOT assumes no responsibility for the conversion of this standard to other formats or for incorrect results or damages resulting from its use.

REFLECTOR UNIT SIZES FOR DELINEATORS AND OBJECT MARKERS					DELINEATORS				D & OM DESCRIPTIVE CODES	
DEVICE	SIZE 1	SIZE 2	SIZE 3	SIZE 4	DEVICE	SINGLE		DOUBLE		INSTL DEL ASSM (D-XX)SZ X (XXXX)XXX(XX)
SHEETING Yellow, White or Red Type B or C reflective sheeting					SHEETING Yellow, White or Red Type B or C Reflective Sheeting					
NOTE 1. Size 1 and 4 - Direct applied reflective sheeting for use on flexible post (flx). 2. Size 2 and 3 - For use on wing channel (wc) post only. Use approved metal, plastic or fiberglass backplate with 17/64" mounting holes.					POST TYPE WC YFLX, WFLX WC YFLX, WFLX		MOUNT TYPE GND GND, SRF GND GND, SRF		INSTL OM ASSM (OM-XX) (XXXX)XXX(XX)	

OBJECT MARKERS								D & OM DESCRIPTIVE CODES	
DEVICE	Type 1 (OM-1)	Type 2 (OM-2)			Type 3 (OM-3)			Type 4 (OM-4)	TYPE OF OBJECT MARKER 1, 2, 3, or 4
		OM-1	OM-2X	OM-2Y	OM-2Z	OM-3L	OM-3R	OM-3C	
SHEETING Yellow-Type B or C Sheeting FL		Yellow - Type B or C Sheeting			Alternating acrylic black and retroreflective yellow - Type B or C Sheeting			Red -Type B or C Sheeting	
POST TYPE TWT		WC			WFLX			TWT	
MOUNT TYPE WAS, WAP		GND			GND, SRF			WAS, WAP	

DEPARTMENTAL MATERIAL SPECIFICATIONS	
FLEXIBLE DELINEATOR & OBJECT MARKER POSTS (EMBEDDED & SURFACE MOUNT TYPES)	DMS-4400
SIGN FACE MATERIALS	DMS-8300
DELINEATORS, OBJECT MARKERS AND BARRIER REFLECTORS	DMS-8600

BARRIER REFLECTORS (BRF)			CHEVRONS				ONE DIRECTION LARGE ARROW		NOTE: Delineator and object marker substrates and sign substrates shall be 0.080" Aluminum sign blank to conform to ASTM B-209 Alloy 6061-T6 or approved alternative.	
DEVICE	GF1	GF2	CTB	W1-8				W1-6		
1. Barrier reflectors shall meet the requirements of DMS 8600. 2. Approved Barrier Reflectors are listed on the "Barrier Reflectors" Material Producer List at: www.txdot.gov.			SIZE (W x L)	18" x 24" (Conventional)	24" x 30" (Conventional Oversize)	30" x 36" (Expressway)	36" x 48" (Freeway)	SIZE (W x L)	48" x 24" (Conventional)	60" x 30" (Expressway & Freeway)
			MOUNTING HEIGHT	4'-0" or 7'-0"		7'-0" Only		MOUNTING HEIGHT	7'-0"	
SHEETING Yellow, White, Red			NOTE 1. CHEVRON (W1-8) signs and ONE DIRECTION LARGE ARROW (W1-6) Signs shall be installed per Sign Mounting Details (SMD) Standard Sheets and paid under Item 644 (Small Roadside Sign Assemblies). 2. When there is a need to increase conspicuity, the Texas version of the ONE DIRECTION LARGE ARROW sign (W1-9T) may be used instead of the ONE DIRECTION LARGE ARROW (W1-6).							
NOTE 1. Reflective sheeting shall have a minimum dimension of 3 inches and minimum surface area of 9 square inches.										



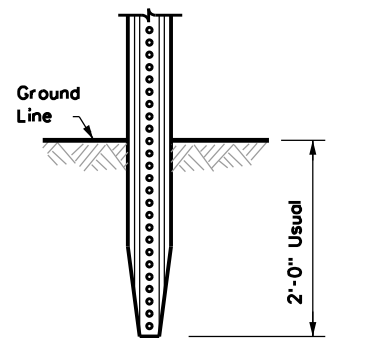
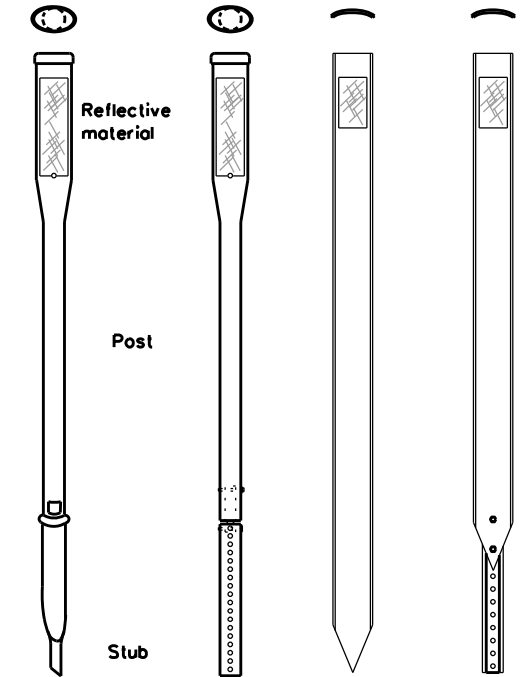
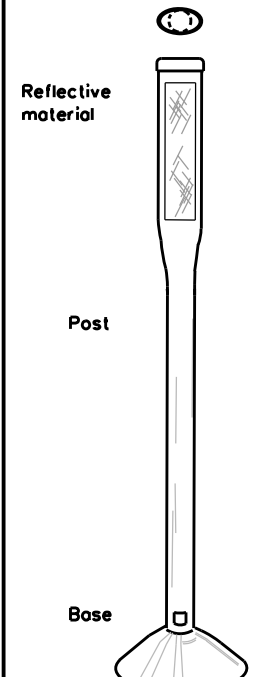
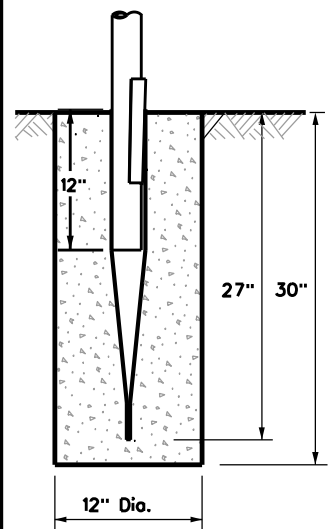
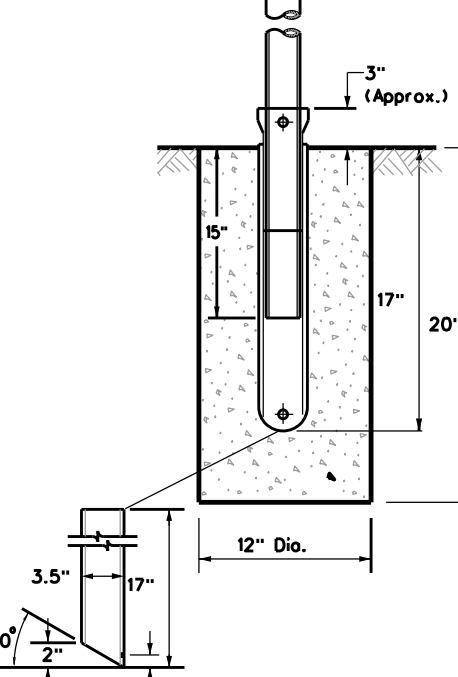
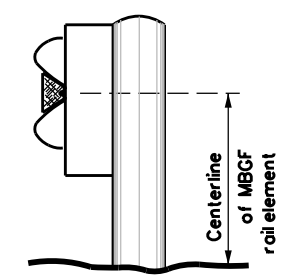
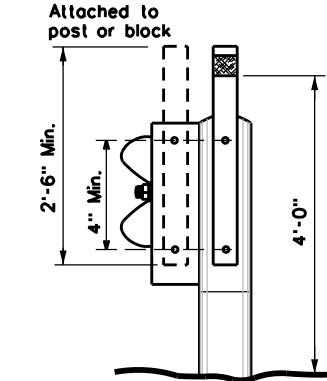
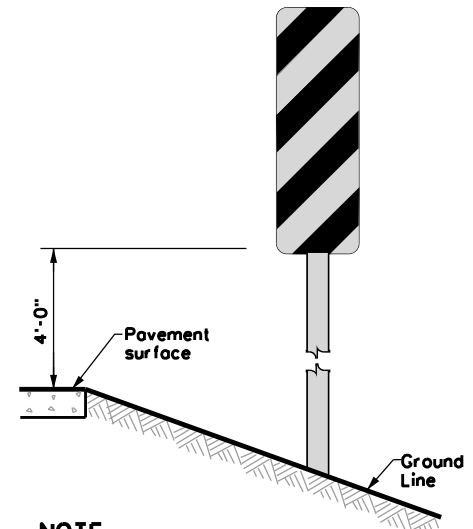
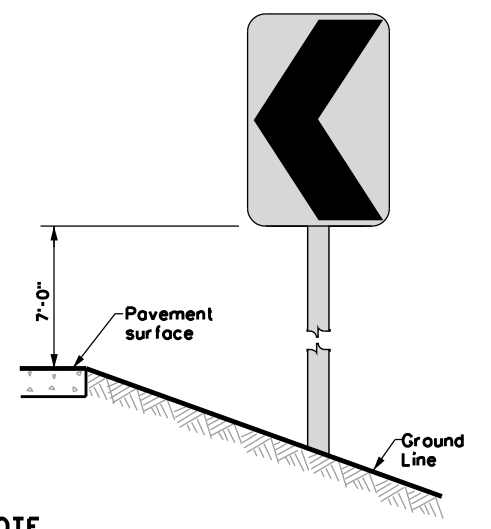
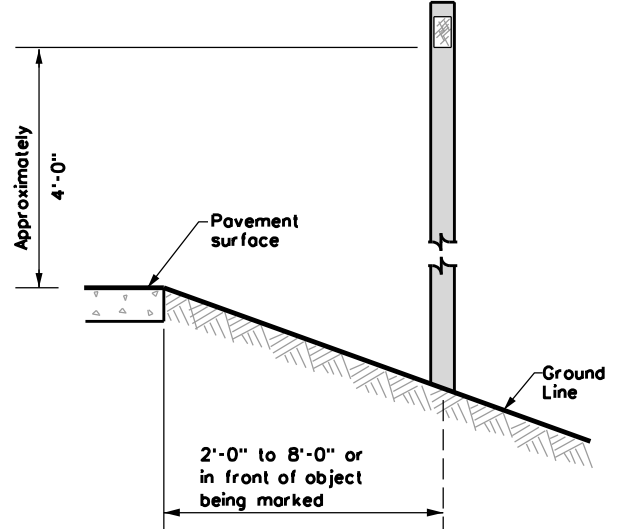
DELINEATOR & OBJECT MARKER MATERIAL DESCRIPTION D & OM(1)-20


FILE: dom1-20.dgn	DN: TXDOT	CK: TXDOT	DW: TXDOT	CK: TXDOT
© TXDOT August 2004	CONT	SECT	JOB	HIGHWAY
REVISIONS	546099	001	M20, etc.	
10-09 3-15	DIST	COUNTY	SHEET NO.	
4-10 7-20	Abil	Taylor, ETC.	62	

DATE: FILE:

DISCLAIMER: The use of this standard is governed by the "Texas Engineering Practice Act". No warranty of any kind is made by TxDOT for any purpose whatsoever. TxDOT assumes no responsibility for the conversion of this standard to other formats or for incorrect results or damages resulting from its use.

DATE: FILE:

POST TYPE AND SUPPORT FOUNDATION DETAILS				TYPE OF BARRIER MOUNTS		
WING CHANNEL (WC)	FLEXIBLE POSTS (YFLX, WFLX)		WEDGE ANCHOR SYSTEMS		GUARD FENCE ATTACHMENT	
GND	GND	SRF	WAS	WAP	GF1	
						
	EMBEDDED	SURFACE MOUNT	STEEL	PLASTIC	CONCRETE TRAFFIC BARRIER (CTB)	
NOTES 1. Embedded Wing Channel (WC) post option may be used for Type 2 Object Markers and Delineators only. 2. 1.12 lbs/ft steel per ASTM A 1011 SS Gr. 50, or ASTM A499.			NOTE 1. Install per manufacturer's recommendations.		GENERAL NOTES 1. Place delineators on a section of roadway at a consistent distance from the edge of pavement. 2. Where a restriction prevents consistent placement from the pavement edge, place the affected object markers in line with the innermost edge of the obstruction. 3. When Type 2 object markers and delineators are more than 8'-0" from the edge of the pavement, it may not be possible to maintain a height of approximately 4'-0". If this is the case, place the object marker or delineator as close to the desired height as possible. 4. Install all delineators, object markers and barrier reflectors in accordance with the manufacturer's recommendation. 5. Barrier reflectors should be installed a minimum of 18 inches above the edge of the pavement surface. 6. Diagonal stripes on Type 3 object markers shall slope down toward the intended travel lane.	
NOTES 1. See "Flexible Delineator and Object Marker Posts" Material Producer List for approved devices. 2. Install per manufacturer's recommendations. 3. Post length may vary to meet field conditions. 4. When using yellow delineators with flexible posts to separate opposing direction of travel, such as centerline or median use, the flexible posts shall be yellow.						
TYPES 1, 3, AND 4 OBJECT MARKERS AND CHEVRONS		CHEVRONS AND ONE DIRECTION LARGE ARROW SIGN		DELINEATORS AND TYPE 2 OBJECT MARKERS		
						
NOTE Mounting at 4 feet to the bottom of the chevron is permitted for chevrons that will not exceed a height of 6'-6" to the top of the chevron (sizes 24" x 30" and smaller)		NOTE Chevrons 30" x 36" and larger shall be mounted at a height of 7' to the bottom of the chevron. Chevron sign and ONE DIRECTION LARGE ARROW sign (W1-9T) shall be installed per SMD standard sheets and paid under item 644.		NOTE See general notes 1, 2 and 3.		


 Texas Department of Transportation
 Traffic Safety Division Standard

DELINEATOR & OBJECT MARKER INSTALLATION

D & OM(2)-20

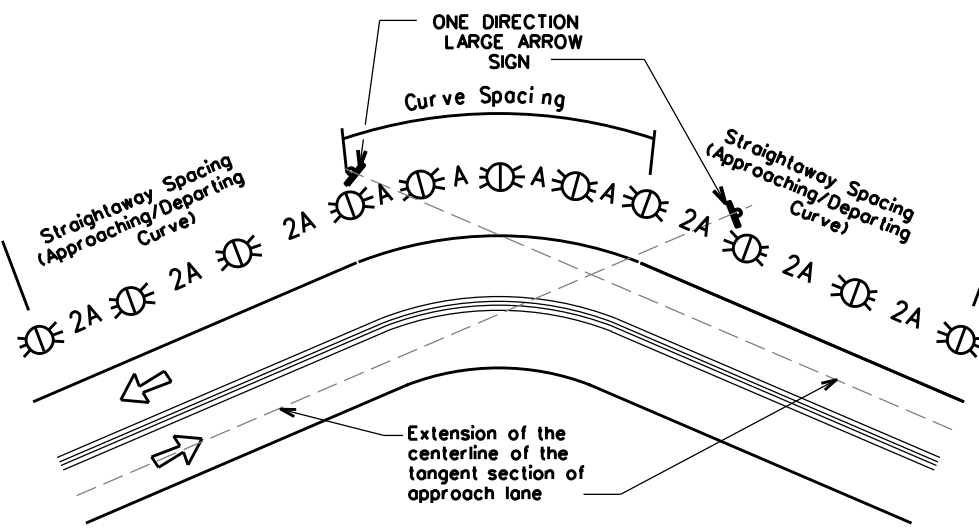
FILE: dom2-20.dgn	DN: TXDOT	CK: TXDOT	DW: TXDOT	CK: TXDOT
© TXDOT August 2004	CONT	SECT	JOB	HIGHWAY
REVISIONS	646099		001	IH20, etc.
10-09 3-15	DIST	COUNTY	SHEET NO.	
4-10 7-20	Abi	Taylor, ETC.	63	

DISCLAIMER: The use of this standard is governed by the "Texas Engineering Practice Act". No warranty of any kind is made by TxDOT for any purpose whatsoever. TxDOT assumes no responsibility for the conversion of this standard to other formats or for incorrect results or damages resulting from its use.

MINIMUM WARNING DEVICES AT CURVES WITH ADVISORY SPEEDS

Amount by which Advisory Speed is less than Posted Speed	Curve Advisory Speed	
	Turn (30 MPH or less)	Curve (35 MPH or more)
5 MPH & 10 MPH	• RPMs	• RPMs
15 MPH & 20 MPH	• RPMs and One Direction Large Arrow sign	• RPMs and Chevrons; or • RPMs and One Direction Large Arrow sign where geometric conditions or roadside obstacles prevent the installation of chevrons.
25 MPH & more	• RPMs and Chevrons; or • RPMs and One Direction Large Arrow sign where geometric conditions or roadside obstacles prevent the installation of chevrons	• RPMs and Chevrons

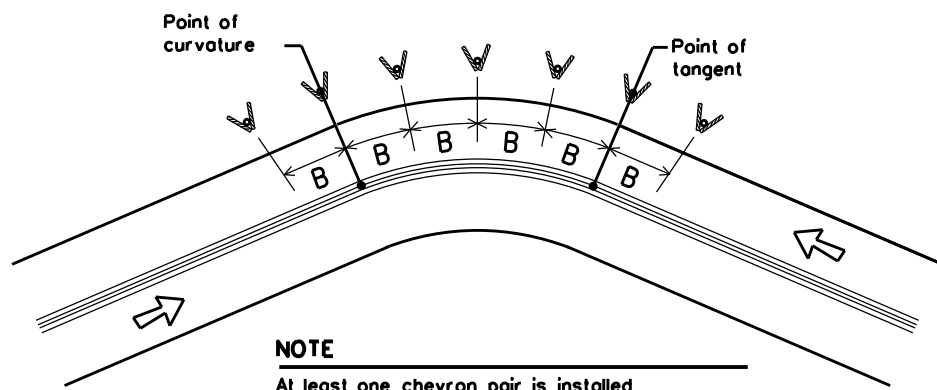
SUGGESTED SPACING FOR DELINEATORS ON HORIZONTAL CURVES



NOTE

ONE DIRECTION LARGE ARROW (W1-6) sign should be located at approximately and perpendicular to the extension of the centerline of the tangent section of approach lane.

SUGGESTED SPACING FOR CHEVRONS ON HORIZONTAL CURVES



NOTE

At least one chevron pair is installed beyond the point of tangent in tangent section.

DELINEATOR AND CHEVRON SPACING

WHEN DEGREE OF CURVE OR RADIUS IS KNOWN				
Degree of Curve	FEET			
	Radius of Curve	Spacing in Curve	Spacing in Straightaway	Chevron Spacing in Curve
		A	2A	B
1	5730	225	450	—
2	2865	160	320	—
3	1910	130	260	200
4	1433	110	220	160
5	1146	100	200	160
6	955	90	180	160
7	819	85	170	160
8	716	75	150	160
9	637	75	150	120
10	573	70	140	120
11	521	65	130	120
12	478	60	120	120
13	441	60	120	120
14	409	55	110	80
15	382	55	110	80
16	358	55	110	80
19	302	50	100	80
23	249	40	80	80
29	198	35	70	40
38	151	30	60	40
57	101	20	40	40

Curve delineator approach and departure spacing should include 3 delineators spaced at 2A. This spacing should be used during design preparation or when the degree of curve is known.

DELINEATOR AND CHEVRON SPACING

WHEN DEGREE OF CURVE OR RADIUS IS NOT KNOWN			
Advisory Speed (MPH)	Spacing in Curve	Spacing in Straightaway	Chevron Spacing in Curve
	A	2xA	B
65	130	260	200
60	110	220	160
55	100	200	160
50	85	170	160
45	75	150	120
40	70	140	120
35	60	120	120
30	55	110	80
25	50	100	80
20	40	80	80
15	35	70	40

If the degree of curve is not known, delineator spacing may be determined based on the Advisory Speed of the curve. Use the delineator curve spacing for each Advisory Speed (MPH).

DELINEATOR AND OBJECT MARKER APPLICATION AND SPACING

CONDITION	REQUIRED TREATMENT	MINIMUM SPACING
Frwy./Exp. Tangent	RPMs	See PM-series and FPM-series standard sheets
Frwy./Exp. Curve	Single delineators on right side	See delineator spacing table
Frwy./Exp. Ramp	Single delineators on at least one side of ramp (should be on outside of curves) (see Detail 3 on D&OM(4))	100 feet on ramp tangents Use delineator spacing table for ramp curves ("straightway spacing" does not apply to ramp curves)
Acceleration/Deceleration Lane	Double delineators (see Detail 3 on D&OM(4))	100 feet (See Detail 3 on D & OM (4))
Truck Escape Ramp	Single red delineators on both sides	50 feet
Bridge Rail (steel or concrete) and Metal Beam Guard Fence	Bi-Directional Delineators when undivided with one lane each direction Single Delineators when multiple lanes each direction	Equal spacing (100' max) but not less than 3 delineators
Concrete Traffic Barrier (CTB) or Steel Traffic Barrier	Barrier reflectors matching the color of the edge line	Equal spacing 100' max
Cable Barrier	Reflectors matching the color of the edge line	Every 5th cable barrier post (up to 100' max)
Guard Rail Terminus/Impact Head	Divided highway - Object marker on approach end Undivided 2-lane highways - Object marker on approach and departure end	Requires reflective sheeting provided by manufacturer per D & OM (VIA) or a Type 3 Object Marker (OM-3) in front of the terminal end See D & OM (5) and D & OM (6)
Bridges with no Approach Rail	Type 3 Object Marker (OM-3) at end of rail and 3 single delineators approaching rail	See D & OM(5)
Reduced Width Approaches to Bridge Rail	Type 2 and Type 3 Object Markers (OM-3) and 3 single delineators approaching bridge	Requires reflective sheeting provided by manufacturer per D & OM (VIA) or a Type 3 Object Marker (OM-3) in front of the terminal end See D & OM (5)
Culverts without MBOF	Type 2 Object Markers	See Detail 2 on D & OM(4)
Crossovers	Double yellow delineators and RPMs	See Detail 1 on D & OM (4)
Pavement Narrowing (lane merge) on Freeways/Expressway	Single delineators adjacent to affected lane for full length of transition	100 feet

NOTES

- Unless indicated otherwise, the delineator or barrier reflector color shall conform to the color of the pavement edge line on the side of the road where the delineators or barrier reflectors are placed.
- Barrier reflectors may be used to replace required delineators.
- Single red delineators may be mounted on the back side of delineator posts for wrong way driver applications

LEGEND

	Bi-directional Delineator
	Delineator
	Sign

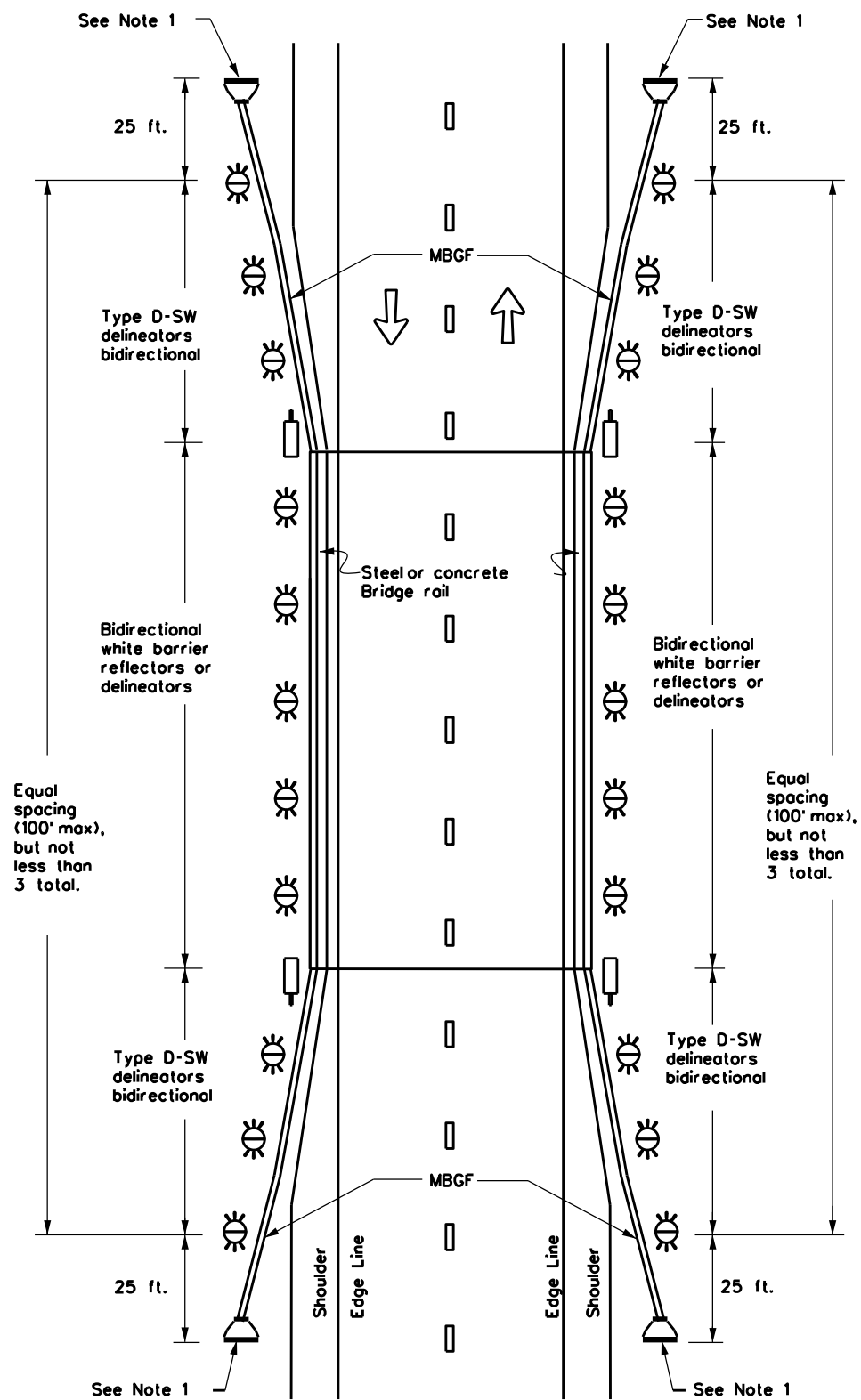


DELINEATOR & OBJECT MARKER PLACEMENT DETAILS

D & OM(3)-20

FILE: dom3-20.dgn	DN: TXDOT	CK: TXDOT	DW: TXDOT	CK: TXDOT
© TXDOT August 2004	CONT: 646099	SECT: 001	JOB: 1420, etc.	HIGHWAY: 64
REVISIONS: 3-15 8-15 8-15 7-20	DIST: Abil	COUNTY: Taylor, ETC.	SHEET NO.: 64	

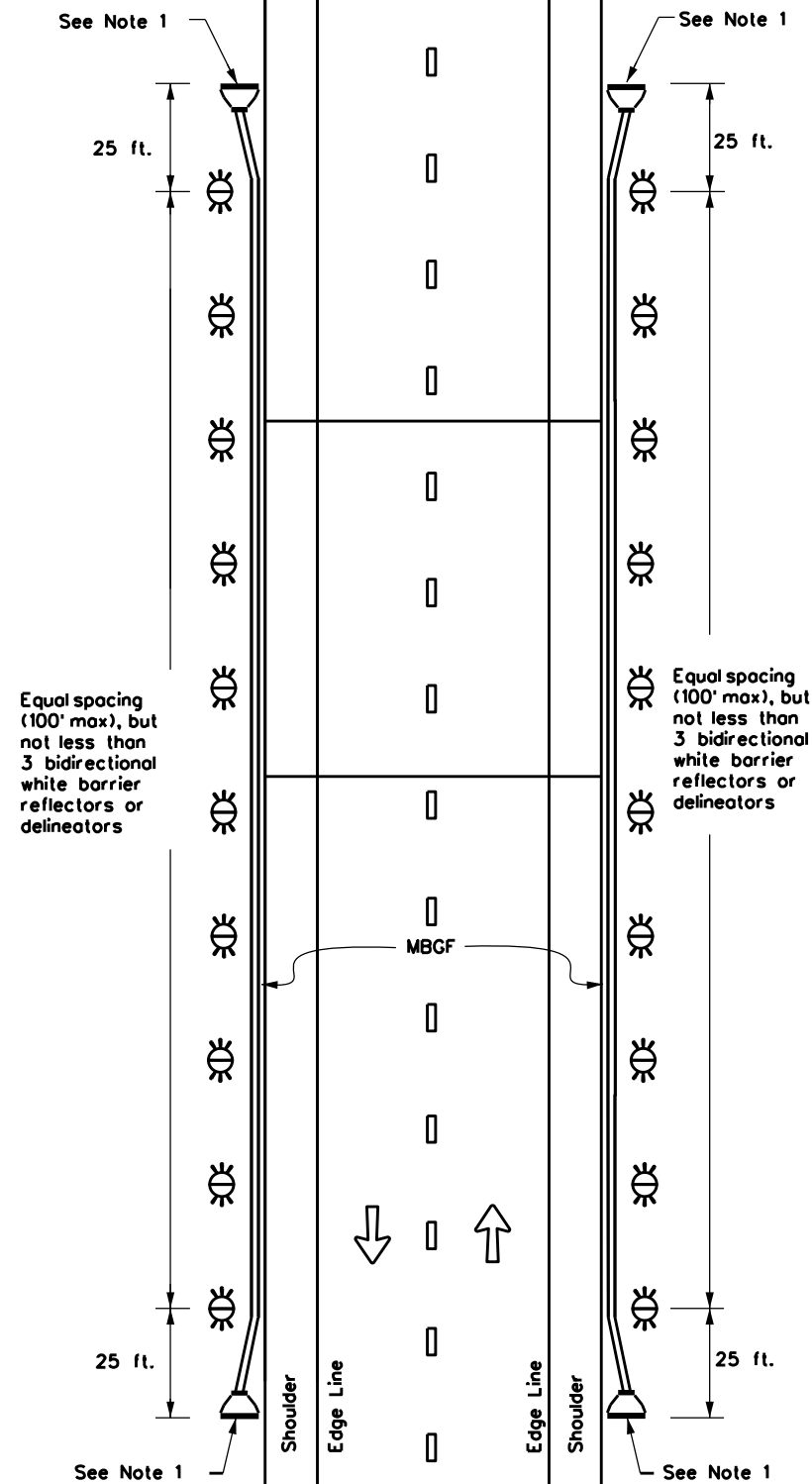
**TWO-WAY, TWO LANE ROADWAY
WITH REDUCED WIDTH APPROACH RAIL**



NOTE:

1. Terminal ends require reflective sheeting provided by manufacturer per D & OM (VIA) or a Type 3 Object Marker (OM-3) in front of the terminal end.

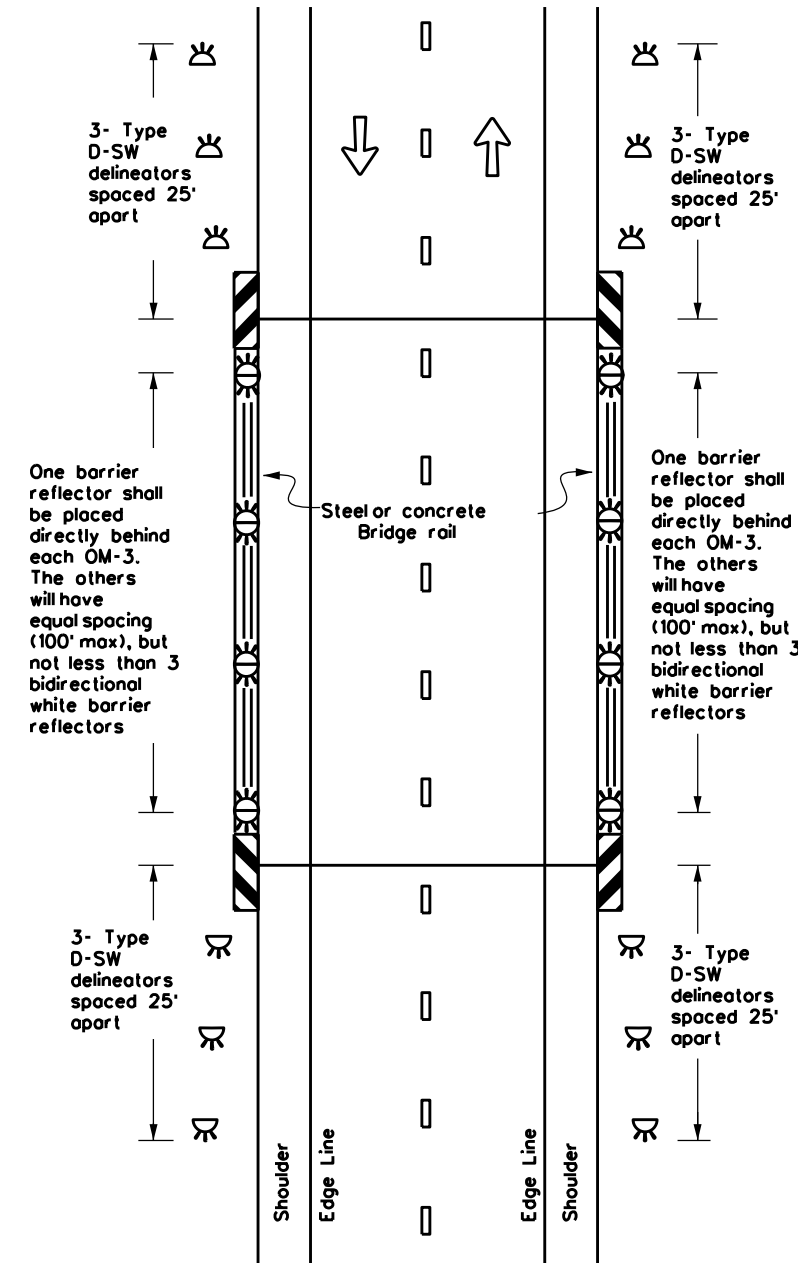
**TWO-WAY, TWO LANE ROADWAY
WITH METAL BEAM GUARD FENCE (MBGF)**



NOTE:

1. Terminal ends require reflective sheeting provided by manufacturer per D & OM (VIA) or a Type 3 Object Marker (OM-3) in front of the terminal end.

**TWO-WAY, TWO LANE ROADWAY
BRIDGE WITH NO APPROACH RAIL**



LEGEND

	Bidirectional Delineator
	Delineator
	OM-3
	OM-2
	Terminal End
	Traffic Flow



**DELINEATOR &
OBJECT MARKER
PLACEMENT DETAILS**

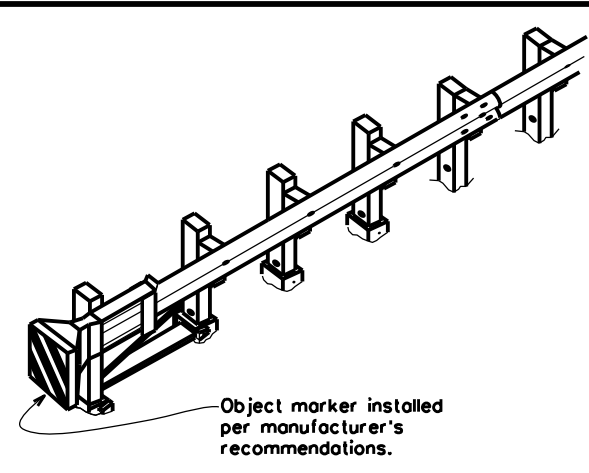
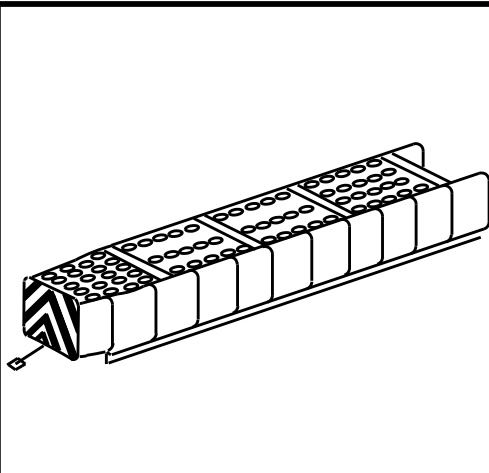
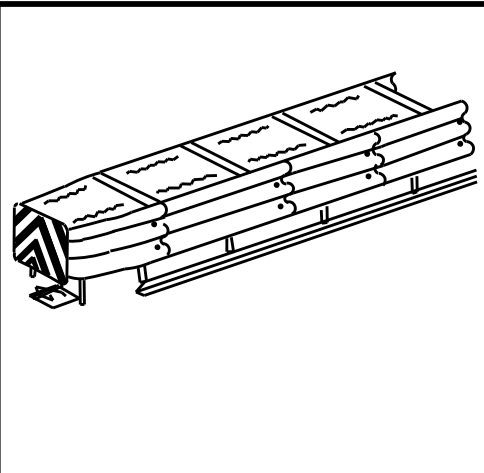
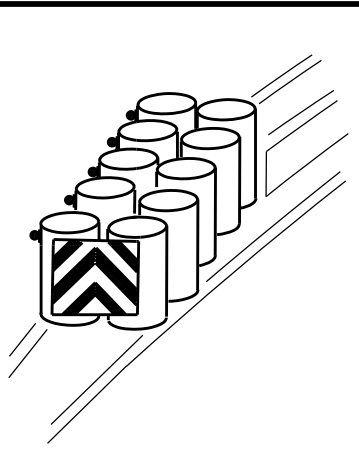
D & OM(5)-20

FILE: dom5-20.dgn	DN: TxDOT	CK: TxDOT	DW: TxDOT	CK: TxDOT
© TxDOT August 2015	CONT	SECT	JOB	HIGHWAY
7-20	6460	99	001	#H20, etc.
	DIST	COUNTY	SHEET NO.	
	08	Taylor, ETC.	65	

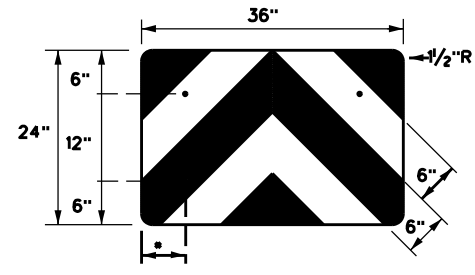
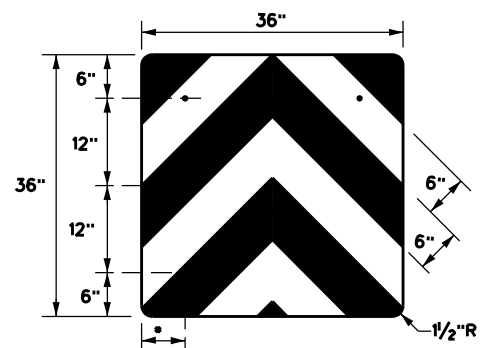
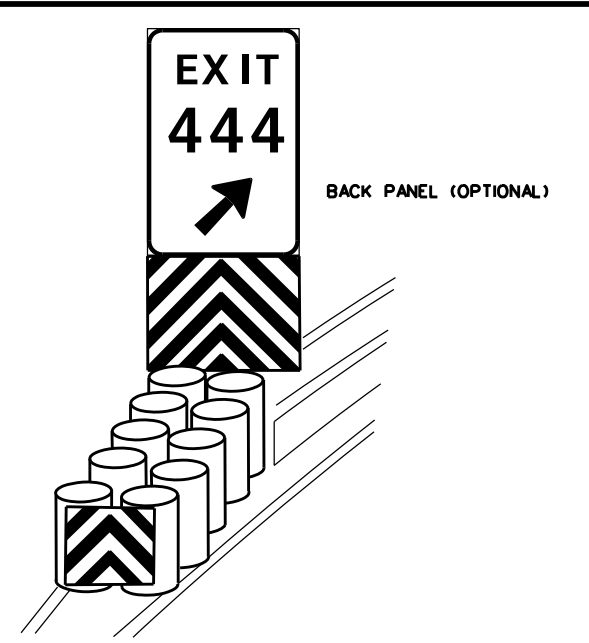
DISCLAIMER: The use of this standard is governed by the "Texas Engineering Practice Act". No warranty of any kind is made by TxDOT for any purpose whatsoever. TxDOT assumes no responsibility for the conversion of this standard to other formats or for incorrect results or damages resulting from its use.

DATE:
FILE:

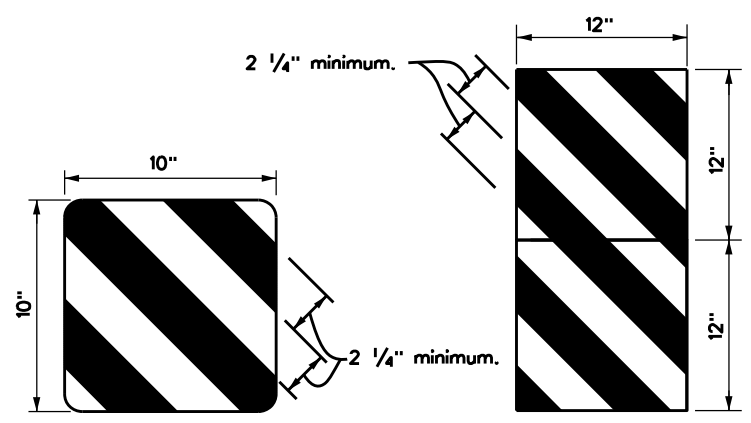
DISCLAIMER: The use of this standard is governed by the "Texas Engineering Practice Act". No warranty of any kind is made by TxDOT for any purpose whatsoever. TxDOT assumes no responsibility for the conversion of this standard to other formats or for incorrect results or damages resulting from its use.



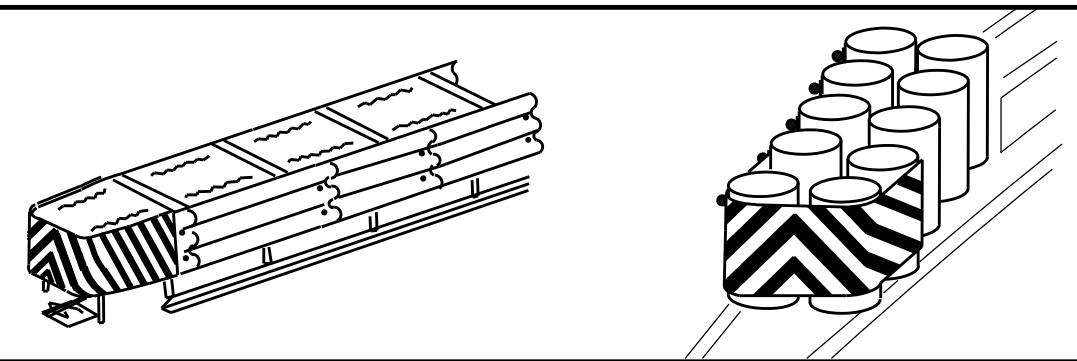
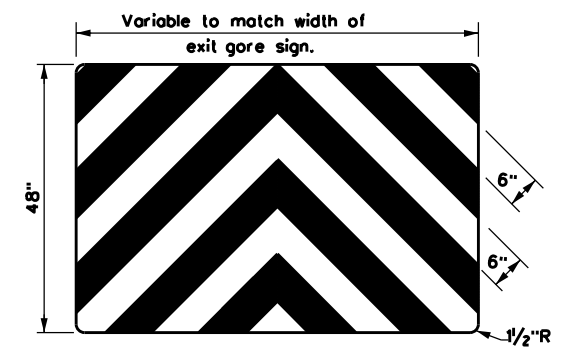
Object marker installed per manufacturer's recommendations.



• Adjust to fit attenuator per manufacturer's recommendation, or as directed by the Engineer

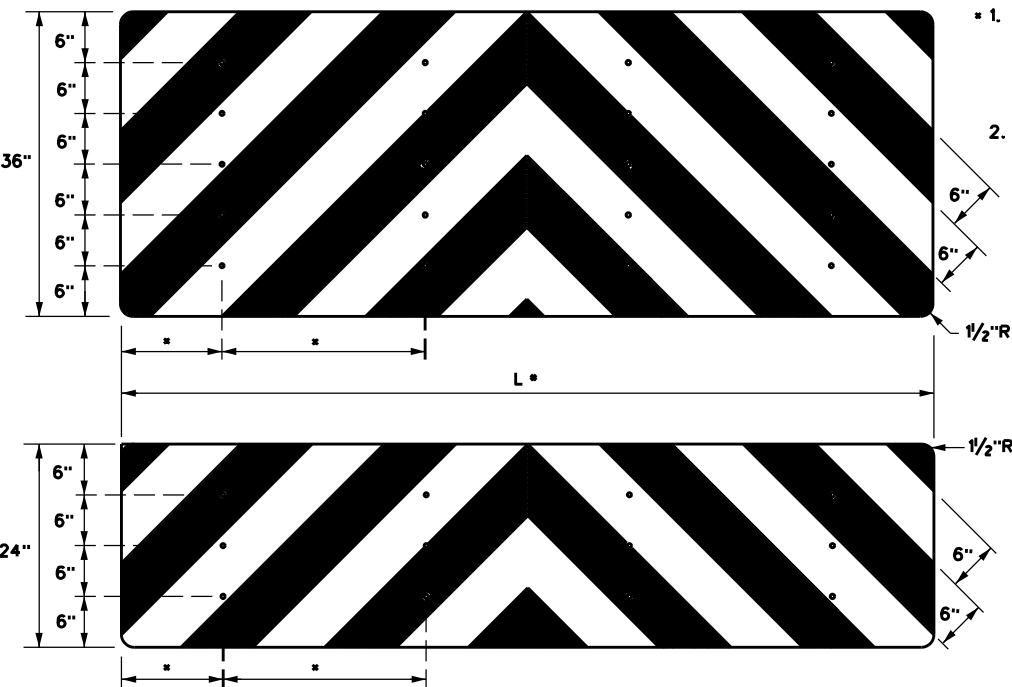


OBJECT MARKERS SMALLER THAN 3 FT²



NOTES

- 1. Spacing should be adjusted to attach through centerline of drum, per attenuator manufacturer's recommendation, or as directed by the Engineer.
- 2. Mounting should be flush with top of attenuator. Minimum size 96" x 24".



NOTES

1. Object Markers shall conform to the Texas MUTCD and meet the color and reflectivity requirement of Department Material Specification DMS 8300. Background shall be yellow reflective sheeting (Type B or C) and Chevron shall be black.
2. Object Markers may be fabricated from adhesive backed reflective sheeting applied directly to guardrail end treatment, or applied directly to an "end cap" as per the manufacturer's recommendation. Direct applied sheeting shall provide a smooth surface and have no wrinkles, air bubbles, cuts or tears. A radius at the corners is not required for direct applied sheeting.
3. Object Marker size may be reduced to fit smaller devices. Width of alternating black and yellow stripes are typically 6". Object Markers smaller than 3ft may have reduced width stripes of a minimum of 2 1/4".
4. Pop rivets, screws, or nuts and bolts may be used to attach object markers and reflectors. Holes, slots or other openings may be cut or drilled through object markers to allow cable or other attachments.
5. Object Marker at nose of attenuator is subsidiary to the attenuator.
6. See D & OM (1-4) for required barrier reflectors.

DATE: FILE:

		Traffic Safety Division Standard	
DELINEATOR & OBJECT MARKER FOR VEHICLE IMPACT ATTENUATORS D & OM(VIA)-20			
FILE: domvia20.dgn	DN: TXDOT	CK: TXDOT	DW: TXDOT
© TXDOT December 1989	CONT	SECT	JOB
REVISIONS	646099	001	H20, etc.
4-92 8-04	DIST	COUNTY	SHEET NO.
8-95 3-15	Abil	Taylor, ETC.	66
4-98 7-20			
20C			