

FED. RD. DIV. NO.	PROJECT NO.		SHEET NO.
6	C 0915-00-253		1
STATE	STATE DIST.	COUNTY	
TEXAS	SAT	BEXAR	
CONT.	SECT.	JOB	HIGHWAY NO.
0915	00	253	VARIOUS

INDEX OF SHEETS

SEE SHEET 2 FOR INDEX OF SHEETS

STATE OF TEXAS
DEPARTMENT OF TRANSPORTATION

PLANS OF PROPOSED
STATE HIGHWAY IMPROVEMENT

STATE PROJECT
PROJECT NO. C 0915-00-253
CSJ: 0915-00-253
COUNTY: BEXAR
ROADWAY: VARIOUS

DESIGN SPEED = N/A
AREA OF DISTURBED SOIL = < 1 ACRE
ADT: N/A

ACCESSIBILITY STANDARDS = PROWAG

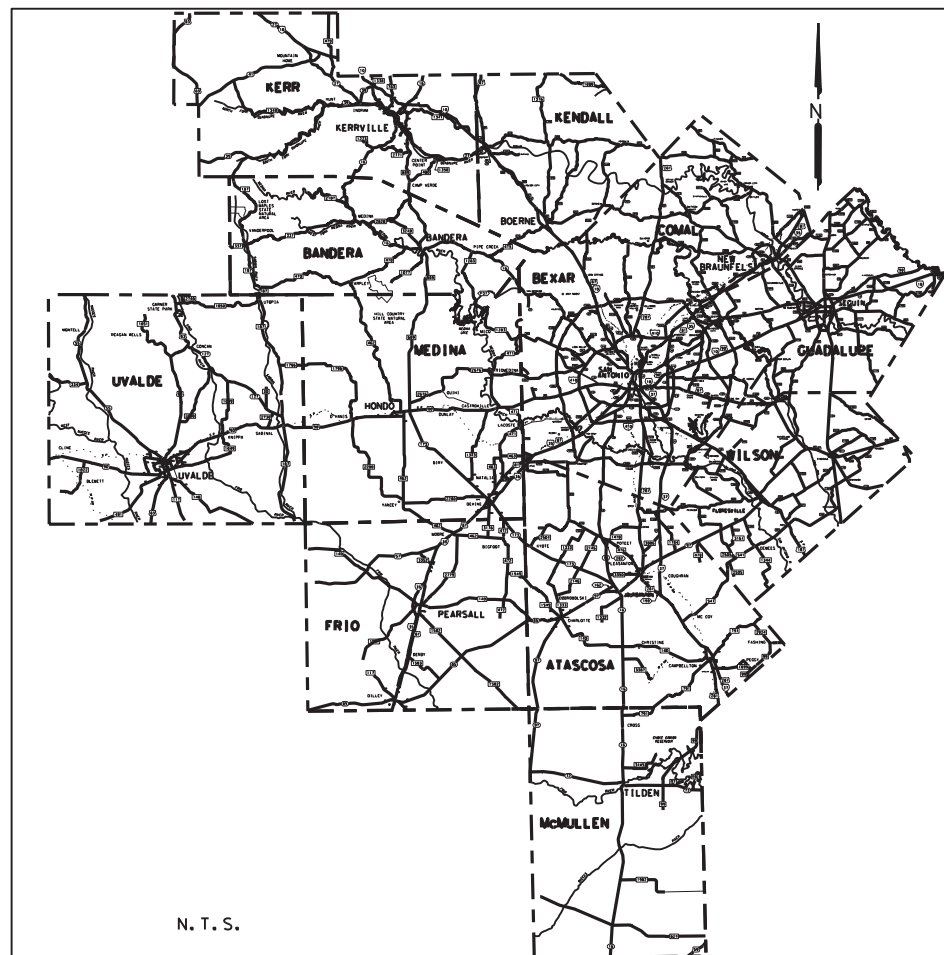
REGISTERED ACCESSIBILITY SPECIALIST INSPECTION REQUIRED
TDLR NO. EABPRJ _____

NET LENGTH OF ROADWAY = 5.28 FT = 0.001 MI
NET LENGTH OF BRIDGE = 0.00 FT = 0.000 MI
NET LENGTH OF PROJECT = 5.28 FT = 0.001 MI

FINAL PLANS

LETTING DATE: _____
DATE CONTRACTOR BEGAN WORK: _____
DATE WORK WAS ACCEPTED: _____
FINAL CONTRACT COST: \$ _____
CONTRACTOR: _____

FOR WORK CONSISTING OF DISTRICTWIDE TRAFFIC SIGNAL IMPROVEMENTS



FINAL PLANS STATEMENT:

THE CONSTRUCTION WORK WAS PERFORMED
IN ACCORDANCE WITH THE PLANS.

AREA ENGINEER _____ P. E. _____ DATE _____

TEXAS DEPARTMENT OF TRANSPORTATION

T:\Traffic\Signal\Design\NonSite Specific (NSS)
FILE LOCATION AND NAME

PROJ. NO. _____
LETTING DATE _____
COUNTY _____
HWY. NO. _____
DATE ACCEPTED _____

LEVELS DISPLAYED	
1	

SPECIFICATIONS ADOPTED BY THE TEXAS DEPARTMENT OF
TRANSPORTATION ON NOVEMBER 1, 2014 AND SPECIFICATION ITEMS
LISTED AND DATED AS FOLLOWS, SHALL GOVERN ON THIS PROJECT:
SPECIAL LABOR PROVISIONS FOR STATE PROJECTS (000---008).

EXCEPTIONS: NONE
EQUATIONS: NONE
R. R. CROSSINGS: NONE

SUBMITTED FOR 11/10/2022
DocuSigned by:
Eduardo Villalon
BB583DCA3A71479... SUPERVISOR

RECOMMENDED FOR 11/10/2022
DocuSigned by:
Clayton Ripps, P.E.
74F59ACB883D4EB... ATION
PLANNING & DEVELOPMENT

RECOMMENDED FOR 11/10/2022
DocuSigned by:
DeRogio, P.E.
F29100BAA508499... EER SUPERVISOR

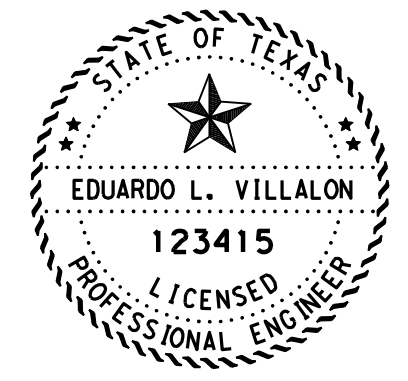
APPROVED FOR 11/10/2022
DocuSigned by:
Gina E. Gallegos, P.E.
124372CCDF604F5...

LEVELS DISPLAYED	
1	

COUNTY _____ PROJ. NO. _____
 HWY. NO. _____ LETTING DATE _____
 DATE ACCEPTED _____

INDEX OF SHEETS

<u>SHEET NO.</u>	<u>DESCRIPTION</u>
1	TITLE SHEET
2	INDEX OF SHEETS
3, 3A - 3F	GENERAL NOTES
4, 4A - 4C	ESTIMATE AND QUANTITY
5	TMA & TA SUMMARY SHEET
<u>TRAFFIC CONTROL PLAN STANDARDS</u>	
6 - 9	* TCP (1-1) THRU (1-4) - 18
10 - 17	* TCP (2-1) THRU (2-8) - 18
18	* TCP (3-3) - 14
19 - 25	* TCP (6-1) THRU (6-7) - 12
26 - 37	* BC (1) THRU (12) - 21
38 - 39	* WZ (BTS 1 & BTS 2) - 13
<u>TRAFFIC SIGNAL STANDARDS</u>	
40	* SMD (GEN) - 08
41 - 43	* SMD (SLIP 1) THRU (SLIP 3) - 08
44 - 48	* TSR (1 THRU 5) - 13
49 - 50	* MISCELLANEOUS CURB AND SIDEWALK DETAILS (DISTRICT)
51 - 54	* PED-18
55	* TCD-05 (DISTRICT)
56	* FBTP-18 (DISTRICT)
57	* FBSP-18 (DISTRICT)
58	* MTS-18 (DISTRICT)
59	* SHS(1)-07 (DISTRICT)
60	* VD(1)-06 (DISTRICT)
61	* VD(2)-06 (DISTRICT)
62	* SPRFB-07 (DISTRICT)
63	* RFBA-06 (DISTRICT)
64 - 66	TRAFFIC SIGNALS DETAILS (COSA)
67 - 78	* ED (1) THRU (12) - 14
79 - 80	* RID (1) & (2) - 20
81 - 82	* SP - 80(1) & (2) - 12
83 - 84	* SMA - 80(1) & (2) - 12
85 - 87	* DMA - 80(1) THRU (3) - 12
88	* MA-C - 12
89	* MA-D - 12
90	* TS-FD - 12
91	* LUM-A - 12
92	* CFA - 12
<u>PAVEMENT MARKING STANDARDS</u>	
93	* PM (1) - 20
94	* PM (2) - 20
95	* PM (3) - 20
<u>STORM WATER POLLUTION PREVENTION PLAN STANDARDS</u>	
96	* EC(1) - 16
97	* SW3P
98	* EPIC



 EDUARDO L. VILLALON, P.E.

10/17/2022
 DATE

THE STANDARD SHEETS SPECIFICALLY IDENTIFIED ABOVE (*),
 HAVE BEEN ISSUED BY ME AND ARE APPLICABLE TO THIS PROJECT

Texas Department of Transportation
© 2022 TxDOT

INDEX OF SHEETS

SHEET 1 OF 1

FED. RD. DIV. NO.	PROJECT	SHEET NO.	
6	SEE TITLE SHEET	2	
STATE	DIST.	COUNTY	
TEXAS	SAT	BEXAR	
CONT.	SECT.	JOB	HIGHWAY NO.
0915	00	253	VARIOUS

*****GENERAL NOTES*****
2014 Specification Book

This contract is non-site specific. Project locations and plan details will be incorporated into this contract by work order over the life of the contract.

Work under this contract will not begin prior to April 1, 2023, and no work orders will be issued after October 31, 2023. There is no guaranteed amount of work under this contract.

The scope of this work assigned under this contract will include traffic signal installations. This is understood to include but is not limited to constructing new signals where none previously existed and upgrading existing flashing beacons to traffic signals. The work may include minimal concrete work and/or curb ramps to accommodate pedestrian access routes.

The quantities included in this project proposal are only to be used in the determination of the low bidder. They are not to be used in determining the quantity of materials to be ordered for work under this contract.

Prior to beginning activities required under each work order, the contractor shall attend a “pre-work meeting” with TxDOT representatives. This meeting will be arranged by TxDOT and is intended to provide the contractor with an outline of the proposed work procedures and discuss plans for performing the work in a manner that will provide for the safe passage of traffic at all times.

The first work order that is issued under this contract shall be considered the written notice to begin work. Subsequent work orders will be issued for other assignments that are to be accomplished during the life of the contract.

Activities required to accomplish the tasks assigned under each work order shall commence within 14 calendar days after receipt of each individual work order. Accordingly, time charges for each individual work order will begin 14 calendar days after the date on which the work order is issued to the contractor. Each work order shall be completed within 45 working days, unless otherwise indicated in the work order.

Work orders will be issued at intervals of not less than 14 calendar days, unless otherwise requested in writing by the Contractor. The issuance of work orders at intervals less than 14 calendar days will not alter the number of working days for each work order. The Contractor will not be required to work on more than four (4) work orders simultaneously, under this contract.

Contract time charges shall accrue through the Contractor’s successful completion of the final punch list for each work order. If the Contractor fails to complete work assigned under any

given work order within 45 working days, time charges will continue to accrue to determine the number of days for which liquidated damages will be charged.

Because this is a non-site-specific contract, the 25% variance described within Article 4.4 “Changes in the Work,” is not applicable under this contract.

Liquidated damages will be determined and applied on a work order basis. That is to say, each work order will be treated separately and independently in the assessment of liquidated damages. Failure to complete work assigned by a work order within the number of working days specified in the work order, including any approved additional working days, will result in liquidated damages for each working day charged over the number of working days allowed for the work order. The dollar amount assessed for each working day that is charged and categorized as liquidated damages will be based upon the actual amount of the overall contract and not the amount of any given work order. The dollar amount equated with liquidated damages will be deducted from the amount associated with the work order for which the liquidated damages are assessed.

All work will be performed in accordance to the standards and specifications found in these plans or as directed by the Engineer.

The following list of some of the telephone numbers of the utility locators for various utilities that may be encountered.

City Public Service	978-3500
Southwestern Bell Telephone	1-800-828-5127
Time Warner Cable System	352-4672
San Antonio Water System	704-7297 or 227-6143
Bexar Metropolitan Water	354-6527
Valero Gas	349-7555
AT & T	1-800-252-1133
One Call Utility Locators	1-800-545-600

In preparing holes for posts and/or foundations, the contractor shall exercise care to not rupture existing drainage structures, electrical conduits, public utilities, etc.

Any sign panels that are to be adjusted, removed and/or replaced, shall be accomplished within the same workday unless otherwise approved.

Sign types for which details are not shown in the plans shall conform to the “Texas MUTCD”.

Contractor shall submit daily work reports at the end of each day’s operation.

Control: 0915-00-253

County: BEXAR

Highway: VARIOUS

The Contractor shall use materials from pre-qualified producers as indicated on the material producers list maintained by the Construction Division (CST) of the Texas Department of Transportation (TxDOT).

Contact the Engineer or the City when construction operations are within 400 feet of a signalized intersection to determine/verify the location of loop detectors, conduit, ground-boxes, etc. Repair or replace any signal equipment damaged by construction operations. The method of repair or replacement shall be pre-approved and inspected. Depending on the type and extent of the damage, the Engineer reserves the right to perform the repair or replacement work and the Contractor will be billed for this work.

City of San Antonio: (210) 207-8642
City of New Braunfels: (830) 221-4049

Any materials removed and not reused and determined to be salvageable shall be stored within the project limits at an approved location or delivered undamaged to the storage yard as directed. Deface traffic signs so that they will not reappear in public as signs.

Any sign panels that are adjusted or removed and replaced, shall be done the same workday unless otherwise approved. This work shall be considered subsidiary to Item 502.

Notify the Engineer at least two weeks prior to a proposed traffic pattern change(s) that will require a revision to traffic signals.

Hurricane Evacuation

Hurricane Season is from June 1 thru November 30. As the closest metropolitan city inland from the Texas Coast, the City of San Antonio is a major shelter destination during mandatory hurricane evacuations. As such, planned work zone lane or road closures may be restricted and/or suspended during mandatory hurricane evacuation operations. The District will coordinate these restrictions at a minimum H-120 from any projected impact to the Texas Coast.

No time charges will be made if the Engineer determines that work on the project was impacted by the *hurricane*.

The Engineer may order changes in the Traffic Control Plan to accommodate evacuation traffic, and may suspend the work, all or in part, to ensure timely completion of this work. All work to implement changes in the Traffic Control Plan will be paid through existing bid prices or through Item 9.5, Force Account. However, the Department will not entertain any request for delay damages, loss of efficiency that may be attributed to the restriction or suspension of road or lane closures, or to changes in the Traffic Control Plan.

Control: 0915-00-253

County: BEXAR

Highway: VARIOUS

Submit locate request for SAWS water and sewer to TXDOTlocates@saws.org.

In accordance with the Underground Facility Damage Prevention Act (One Call Bill) the phone number for a utility locator is 811. It is the Contractor's responsibility to plan for utility locators as needed.

Underground utilities owned by the Texas Department of Transportation may be present within the Right-Of-Way. Call or email the TxDOT offices listed below for locates a minimum of 48 hours in advance of excavation. If city or town owned irrigation facilities are present, call the appropriate department of the local city or town a minimum of 48 hours in advance of excavation. The Contractor is liable for all damages incurred to the above-mentioned utilities when working without having the utilities located prior to excavation.

For signal and ITS locates call TransGuide at 210-731-5136 or email sat_its_locates@txdot.gov for ITS locates and [signal.request@txdot.gov](mailto:sat_its_locates@txdot.gov) for signal locates.

Contractor questions on this project are to be addressed to the following individual(s):
Eduardo L Villalon, P.E. District Traffic Engineer, Eduardo.villalon@txdot.gov
Armando Rodriguez, P.E. Transportation Engineer, Armando.Rodriguez3@txdot.gov

Contractor questions will be accepted through email, phone, and in person by the above individuals.

All contractor questions will be reviewed by the Engineer. Once a response is developed, it will be posted to TxDOT's Public FTP at the following Address:
<https://ftp.dot.state.tx.us/pub/txdot-info/Pre-Letting%Responses/>
All questions submitted that generate a response will be posted through this site. The site is organized by District, Project Type (Construction or Maintenance), Letting Date, CCSJ/Project Name.

--Item 5--

A horizontal boom or equivalent equipment is required for construction in the vicinity of the CPS Energy electric lines to provide vertical clearance of equipment during construction. Contact CPS Energy Utility Coordination Group sixteen (16) week in anticipation of pole bracing. The estimated duration for pole bracing is 6 to 10 weeks (or longer if temporary construction easements are required) after invoice is paid. For de-energizing or sleeving of the overhead electrical lines depicted on the plans, please contact CPS Energy Utility Coordination Group sixteen (16) week in anticipation of needed de-energization. The estimated duration for de-energizing is approximately 4 to 6 weeks (after invoice is paid) but could vary on system scenario and back feed requirements. De-energizing may not be possible in all instances or may be restricted during specific periods of time due to load demand. Contractor will be reimbursed for the invoice cost for pole bracing and/or de-energizing or sleeving through force account.

Prevention of Migratory Bird Nesting

It is anticipated that migratory birds, a protected group of species, may try to nest on bridges, culverts, vegetation, or gravel substrate, at any time of the year. The preferred nesting season for migratory birds is from February 15 through October 1. When practicable, schedule construction operations outside of the preferred nesting season. Otherwise, nests containing migratory birds must be avoided and no work will be performed in the nesting areas until the young birds have fledged.

Structures

Bridge and culvert construction operations cannot begin until swallow nesting prevention is implemented, until after October 1 if it's determined that swallow nesting is actively occurring, or until it's determined swallow nests have been abandoned. If the State installed nesting deterrent on the bridges and culverts, maintain the existing nesting deterrent to prevent swallow nesting until October 1 or completion of the bridge and culvert work, whichever occurs earlier. If new nests are built and occupied after the beginning of the work, do not perform work that can interfere with or discourage swallows from returning to their nests. Prevention of swallow nesting can be performed by one of the following methods:

1. By February 15 begin the removal of any existing mud nests and all other mud placed by swallows for the construction of nests on any portion of the bridge and culverts. The Engineer will inspect the bridges and culverts for nest building activity. If swallows begin nest building, scrape, or wash down all nest sites. Perform these activities daily unless the Engineer determines the need to do this work more frequently. Remove nests and mud through October 1 or until bridge and culvert construction operations are completed.

2. By February 15 place a nesting deterrent (which prevents access to the bridge and culvert by swallows) on the entire bridge (except deck and railing) and culverts. This work is subsidiary to the various bid items.

No extension of time or compensation payment will be granted for a delay or suspension of work caused by nesting swallows.

Excavation within 5 feet of an existing CPS Energy pole will require pole bracing. Contact CPS Energy utility coordination to request pole bracing (Customer Engineering 210-353-4050). The estimated duration for the pole bracing process is approximately 10 to 15 weeks.

--Item 6--

Show the stockpile lot and/or sub lot numbers on all tickets for all materials.

Steel Wrapped or Asbestos Utility Lines:

Existing steel wrapped natural gas and/or asbestos cement (AC) water lines that will no longer be in service are usually abandoned in place (AIP). However, if any of these lines have to be removed for whatever reason (in the way of other construction, to make tie-ins, etc.), comply with Item 6.

If removal of AC water lines is included in the construction contract, then notify the Engineer of proposed dates of removal of the AC water lines in accordance to Item 6. Excavate to the top of the AC water line to allow a separate contractor hired by the State to remove the AC water line. The excavation for the AC water line removal is subsidiary to the work that created the need for the removal (excavation for structures, roadway, a new line, tie-ins, etc.).

--Item 7--

The total disturbed area within the project is anticipated at less than one (1) acre. Due to this type of construction, the project qualifies for exclusion under the Construction General Permit (CGP) issued by the Texas Commission on Environmental Quality (TCEQ). However, should the sum of the Engineer's anticipated disturbances and the Contractor's (On ROW and off ROW) PSL's equal or exceed the one (1) acre threshold; both TxDOT and the Contractor have project responsibilities under the CGP that reverts to non-exclusion status. Obtain approval for all non-depicted areas of disturbance that increases the initial soil and vegetation disturbed area estimates before work starts at these locations.

Roadway closures during the following key dates and/or special event are prohibited. See the general notes under Item 502 for these dates.

--Item 8--

For each individual work order issued within this project Working days will be computed and charged in accordance with Article 8.3.1.4 "Standard Workweek"

A Special Provision to Item 8 for a delayed authorized date to begin work has been included in the contract. The reason for including the Special Provision is for material processing or contractor mobilization.

Create and maintain a Bar Chart schedule.

--Item 9--

When approved, provide uniformed, off-duty law enforcement officers with marked vehicles during work that requires a lane closure. The officer in marked vehicles shall be located as approved to monitor or direct traffic during the closure. The method used to direct traffic at signalized intersections shall be as approved. Additional officers and vehicles may be provided when approved or directed.

Complete the daily tracking form provided by the department and submit invoices that agree with the tracking form for payment at the end of each month approved services were provided.

Control: 0915-00-253

County: BEXAR

Highway: VARIOUS

Show proof of certification by the Texas Commission on Law Enforcement Standards.

All law enforcement personnel used in Work Zone Traffic Control shall be trained for performing duties in work zones and are required to take "Safe and Effective Use of Law Enforcement Personnel in Work Zones" (Course #133119) which can be found online at the following site: www.nhi.fhwa.dot.gov

Certificates of completion should be available to all who finish the course. These should be kept by the officers to substantiate completion when reporting to the work site.

Minimums, scheduling fees, etc. will not be paid; TxDOT will consider paying cancellation fees on a case-by-case basis.

--Item 500--

"Materials on Hand" payments will not be considered in determining percentages for mobilization payments.

--Item 502--

General

In addition to providing a Contractor's Responsible Person and a phone number for emergency contact, have an employee available to respond on the project for emergencies and for taking corrective measures within 2 hours or within a reasonable time frame as specified by the Engineer.

Avoid placing stockpiles, equipment, and other construction materials within the roadway's horizontal clear zone or at any location that will constitute a hazard and will endanger traffic. If a stockpile is placed within the clear zone, address in accordance with the TMUTCD.

If Nighttime work is required and work is not behind positive barrier then full Class 3 reflective gear is required to be worn by all workers, hard hat halos are required to be worn by the flaggers at flagging stations, TY III barricades are required to be spaced at 500 ft, and a mandatory night work meeting is required.

The Contractor Force Account "Safety Contingency" that has been established for this project is intended to be utilized for work zone enhancements, to improve the effectiveness of the Traffic Control Plan, that could not be foreseen in the project planning and design stage. These enhancements will be mutually agreed upon by the Engineer and the Contractor's Responsible Person based on weekly or more frequent traffic management reviews on the project. The Engineer may choose to use existing bid items if it does not slow the implementation of enhancement.

Access to adjoining property must be maintained at all times.

Control: 0915-00-253

County: BEXAR

Highway: VARIOUS

Barricades, Signs, and Traffic Control Devices

When advanced warning flashing arrow panels and/or changeable message sign is specified, have one standby unit in good condition at the job site. Standby time shall be considered subsidiary to the bid item.

After written notification, the time frame is provided on the Form 599 to provide properly maintained signs and barricades before considered in non-compliance with this item.

Moving an existing sign to a temporary location is subsidiary to Item 502. Installations with permanent supports at permanent locations will be paid for under the applicable bid item(s).

Cover permanent signs if not used. This is subsidiary to Item 502.

Lane and Ramp Closures and Detours

Notify the Engineer in writing 10 business days in advance of any temporary or permanent lane, ramp, connector, etc. closures/detours, restrictions to lane widths, alterations to vertical clearances, or modifications to radii. Any other modifications to the roadway that may adversely affect the mobility of oversized/overweight trucks also require 10 business days advance written notice to the Engineer. At least one lane must always remain open.

Work involving lane closures on weekdays shall be conducted between the hours of 9:00 AM and 3:00 PM, unless otherwise directed by the Engineer. Saturday, Sunday or night work may be allowed on certain roadways or intersections where the average weekday traffic is characterized as "high volume" with the approval of the Engineer.

At no time shall two consecutive intersecting roadways be closed at one time during construction.

No lane closures will be permitted for the following dates and/or special events:

Between December 15 and January 1

Fiesta Week and Sales Tax Holidays (Bexar County Only)

Wednesday before Thanksgiving thru the Sunday after Thanksgiving

Saturday and Sunday before Memorial Day and Labor Day

Saturday or Sunday when July 4 falls on a Friday or Monday

Election days (Bexar County Only)

During major events at the AT&T Center (Spurs home games, Rodeo, concerts, etc.)

Alamodome, and/or Convention Center (Bexar County Only)

Easter Weekend (Friday April 7th to April 9th)

Traffic Signals

Always keep the signals in operation except when necessary for specific installation operations, including any modifications to existing signal heads to always maintain clear visibility. Adjustment of any signal head will be subsidiary to Item 502. When it is necessary for a signal to be turned off, or when left-turn lanes are closed, hire off duty police officers to control the traffic until the signals are back in satisfactory condition.

Moving or adjustment of traffic signal heads, VIVDS, and radar detection for the purpose of alignment with the shifting of lanes in conjunction with the traffic control plan will be subsidiary to various bid items.

Coordinate with the appropriate entity (City of San Antonio, City of New Braunfels, etc.) or TxDOT when left-turn lanes are closed and/or for signal timing revisions as necessary.

--Item 506--

The Storm Water Pollution Prevention Plan (SWP3) consists of temporary erosion control measures needed and provided for under this Item. The disturbed area is less than one acre and use of erosion control measures is not anticipated. If physical conditions encountered at the job site require necessary controls, BMP installation, maintenance, and removal will be paid as extra work on a force account basis per Articles 4.4 and 9.7. An Inspector will perform a regularly scheduled SW3P inspection every 7 calendar days if erosion control measures are installed.

Failure to address items noted on the SW3P inspection report within two report cycles may result in the Department stopping all construction operations, exclusive of time charges, or withholding that month's estimate until the SW3P deficiencies are corrected unless the Engineer determines that the area is too wet to correct SW3P deficiencies.

--Item 529--

Curb inlets and extensions are based on an exposed curb height of 7 inches. The roadway curb height and shape will be transitioned to the inlet's curb with a 40: 1 taper.

--Item 531--

The curb ramp locations shown in the plans have considered the geometric features of the intersection, traffic signals, and the pavement markings. If anything changes during construction, the location of curb ramps must be adjusted to ensure they meet TAS requirements.

--Item 618--

It might be necessary to cut concrete for placement of conduit. Saw cut existing concrete, remove the concrete from the steel reinforcement (bars or fabric) and bend the steel to install the conduit. After the conduit has been placed, bend the steel back to its original position and back-fill the trench with an approved concrete. This work is subsidiary to this Item.

The conduit depth for illumination under the City of San Antonio streets is 36 inches.

--Item 628--

Make all arrangements for electrical service, and compliance with local standards and practices for proper installations.

--Item 644--

The wedge anchor system shown on State Standard Sheet SMD (TWT) is not allowed. Triangular Slipbase Systems with set screws are not allowed.

--Item 666--

Use TY II markings (vs. an acrylic or epoxy) on asphalt surfaces as the sealer for the TY I markings, unless otherwise approved by the Engineer.

--Item 672--

Place all adhesive material directly from the heated dispenser to the pavement. Do not use portable or non-heated containers. Use adhesive of sufficient thickness so that when the marker is pressed into the adhesive, 1/8" or more adhesive will remain under 100% of the marker. The adhesive should extend not less than 1/2" but not more than 1 1/2" beyond the perimeter of the marker.

--Item 677--

Obtain approval before using the mechanical method for the elimination of existing thermoplastic pavement markings.

--Item 680--

Furnish and install all required materials and equipment necessary for the complete and operating traffic signal installation.

The locations shown on the plans for signal pole foundations, controller foundations, conduit and other items may be adjusted to better fit field conditions as approved.

Furnish and install a new Henke Enterprises or Mobotrex eight-phase NEMA TS2 Type 2 controller and cabinet, meeting the requirements of Departmental Materials Specifications DMS-11170. Provide detector panel toggle switches that additionally permit the user to disconnect the detector. For both ground and pole-mount cabinets, provide cabinet configuration with 16 position load bay.

Deliver TS type 2 controller cabinet and assembly to the TxDOT San Antonio district signal shop for programming and testing two weeks in advance prior to contractor installing equipment in the field. Coordinate drop off and pick up with Mark Perez (210) 218-7430.

Connect all field wiring to the controller assembly into the polyphaser. The Signal Shop representative will assist in determining how the detection cables are to be connected, and will

also program the controller for operation, hook up the malfunction management unit (MMU) or conflict monitor, detector units, and other equipment, and turn on the controller. Have a qualified technician on the project site to place the traffic signals in operation.

Once final punch list is complete, contractor is allowed to begin flashing signal operations. Signal shall flash for a minimum of 7 days prior to full operation, unless otherwise approved by the Engineer.

Use LED lamps from the prequalified material producer lists as shown on the Texas Department of Transportation (TxDOT) – Construction Division’s (CST) material producer list. Category is “Roadway Illumination and Electrical Supplies.” under item 610. No substitutions will be allowed for materials found on this list.

Demonstrate that the field wiring is properly installed. Install the electrical equipment in a neat and workmanlike manner.

Use the following wiring sequence when connecting signal sections to the cabinet:

Conductor No.	Base Color	Tracer Color	Signal Face
1	Black		Yellow Ball
2	White		Neutral
3	Red		Red Ball
4	Green		Green Ball
5	Orange		Yellow Arrow
6	Blue		Green Arrow
7	White	Black	Spare

All existing signal equipment with the exception of the signal controller and related equipment become the property of the Contractor. Deliver the controller and related equipment to the Signal shop, located at 4615 NW Loop 410 (corner of IH 410 and Callaghan Road) in San Antonio, Texas or to the Area Office as directed.

Use qualified personnel to respond to and diagnose all trouble calls during the thirty-day test period. Repair any malfunction to Contractor-supplied signal equipment. Provide to the Engineer a local telephone number, not subject to frequent changes and available on a 24-hour basis, for reporting trouble calls. Response time to reported calls must be less than 2 hours.

Make appropriate repairs within 24 hours. Place a logbook in the controller cabinet and keep a record of each trouble call reported. Notify the Engineer of each trouble call. Do not clear the error log in the conflict monitor or MMU during the thirty-day test period without approval.

Integrate the proposed traffic signal(s) into the existing Advanced Traffic Management System (ATMS) as shown on the plans. Centrac's ATMS software, which utilizes Econolite controllers, is currently in use in the San Antonio District. Provide controllers on this project that fully communicate with the existing ATMS software.

This project includes the installation of at least one cellular modem at the location(s) specified in the plans. Cellular modem(s) and power supply(s) will be furnished by the department. Provide all materials not supplied by the department necessary for the cellular modem installation. All materials provided by the contractor must be new unless otherwise shown on the plans. Equipment provided by the department shall be stored by the department for pick up at the TxDOT San Antonio TransGuide Office, 3500 NW Loop 410 San Antonio, TX 78229. Prevent damage to all cellular modem components supplied by the department. Replace any component that is damaged or lost during transportation or installation at the contractor’s expense. Verify operation of the cellular modem(s) together with operation of its links; demonstrate that data can be transmitted at a satisfactory rate from the field location to the central location. Demonstrate that the cellular modem(s) data packets are being received at the central site via a networked computer. Transportation, installation and incidentals for installation of the cellular modem(s) shall be considered subsidiary to item 680.

Provide a submittal compliance matrix with all traffic signal submittals.

Field verify the depths of the drill shafts to meet the minimum clearances specified in the plans before ordering materials.

Ensure that all TMS (Traffic Management System) equipment furnished and installed is completely compatible with the existing hardware and software located within the TransGuide operations center (i.e. TransGuide central software). The contractor shall contact the traffic management engineer for details on the system network architecture.

Contractor shall be responsible for integrating and testing all new TMS equipment and any existing TMS equipment that is relocated into the existing network management system, subsidiary to the various bid items.

--Item 682--

Pedestrian signals may be by a different manufacturer than the vehicle signal heads.

Cover all signal faces until placed in operation. This work is subsidiary to various bid items.

All mounting attachments shall be constructed of steel pipe and mounted as shown on the plans.

Control: 0915-00-253

County: BEXAR

Highway: VARIOUS

--Item 684--

Provide an extra 10' for each cable terminating in the controller cabinet. All cables must be continuous without splices from terminal point to terminal point. All proposed signal cable must be #12 AWG stranded copper.

--Item 686 & 687--

Provide all signal poles from the same manufacturer. Pedestrian poles may be from a different manufacturer.

--Item 688--

The sealant used for vehicle loop wire must be approved.

The button placement must be coordinated with the concrete pad to access the button according to ADA and TAS. If any mounting modifications are needed (extensions, brackets, etc.) to meet ADA and TAS requirements the adjustment will be subsidiary to Item 688. The concrete pad (if required) will be paid separately.

The pedestrian push button must be wired with a 2/C#14 loop detector cable in lieu of a #12 A.W.G. XHHW wire.

Furnish and install new Polara Enterprises accessible pedestrian signals (APS) push buttons or approved equivalent.

--Item 6185--

One shadow vehicles with TMA will be required for this project. The TMA's will be measured and paid for by the DAY for each TMA/TA set up and operational on the worksite. The contractor will be responsible for determining if one or more of these operations will be ongoing at the same time to determine the total number of TMA's needed for the project. See TMA and TA Summary sheet in the plans.

--Item 6292--

Radar presence detection device must utilize true-presence detection. Systems using locking algorithms to attempt presence detection will not be accepted. In addition, radar systems will not be allowed to use extensions/delays or place the controller on locking detection to aid in presence detection.

Radar presence detection device must be able to detect up to 10 lanes with a minimum offset of 6' and have at least 16 zones and channels per unit.

Radar presence detection device must be mounted on the same side of the intersection as the lanes it is set to detect.

Final placement of radar devices must be approved by the engineer.

Control: 0915-00-253

County: BEXAR

Highway: VARIOUS

Furnish and install new Wavetronix SmartSensor Matrix, or approved equivalent, for radar presence detectors and Wavetronix SmartSensor Advance, or approved equivalent, for radar advanced detection devices.



Estimate & Quantity Sheet

CONTROLLING PROJECT ID 0915-00-253

DISTRICT San Antonio

COUNTY Bexar

HIGHWAY Various

CONTROL SECTION JOB				0915-00-253		TOTAL EST.	TOTAL FINAL
PROJECT ID				A00188801			
COUNTY				Bexar			
HIGHWAY				Various			
ALT	BID CODE	DESCRIPTION	UNIT	EST.	FINAL		
	104-6015	REMOVING CONC (SIDEWALKS)	SY	25.000		25.000	
	104-6021	REMOVING CONC (CURB)	LF	100.000		100.000	
	416-6030	DRILL SHAFT (TRF SIG POLE) (24 IN)	LF	6.000		6.000	
	416-6031	DRILL SHAFT (TRF SIG POLE) (30 IN)	LF	70.000		70.000	
	416-6032	DRILL SHAFT (TRF SIG POLE) (36 IN)	LF	154.000		154.000	
	416-6055	DRILL SHAFT (TRF SIG POLE)(30 IN)(ROCK)	LF	25.000		25.000	
	416-6056	DRILL SHAFT(TRF SIG POLE)(36IN)(ROCK)	LF	50.000		50.000	
	500-6001	MOBILIZATION	LS	1.000		1.000	
	502-6001	BARRICADES, SIGNS AND TRAFFIC HANDLING	MO	16.000		16.000	
	506-6038	TEMP SEDMT CONT FENCE (INSTALL)	LF	25.000		25.000	
	506-6039	TEMP SEDMT CONT FENCE (REMOVE)	LF	25.000		25.000	
	529-6002	CONC CURB (TY II)	LF	300.000		300.000	
	529-6015	CONC CURB (TY C1)	LF	50.000		50.000	
	531-6001	CONC SIDEWALKS (4")	SY	100.000		100.000	
	531-6004	CURB RAMPS (TY 1)	EA	3.000		3.000	
	531-6005	CURB RAMPS (TY 2)	EA	1.000		1.000	
	531-6008	CURB RAMPS (TY 5)	EA	3.000		3.000	
	531-6010	CURB RAMPS (TY 7)	EA	1.000		1.000	
	531-6013	CURB RAMPS (TY 10)	EA	1.000		1.000	
	531-6016	CURB RAMPS (TY 21)	EA	1.000		1.000	
	531-6017	CURB RAMPS (TY 22)	EA	1.000		1.000	
	536-6004	CONC DIRECTIONAL ISLAND	SY	100.000		100.000	
	618-6046	CONDT (PVC) (SCH 80) (2")	LF	750.000		750.000	
	618-6047	CONDT (PVC) (SCH 80) (2") (BORE)	LF	1,250.000		1,250.000	
	618-6048	CONDT (PVC) (SCH 80) (2") (BORE)(ROCK)	LF	75.000		75.000	
	618-6050	CONDT (PVC) (SCH 80) (2") (ROCK)	LF	75.000		75.000	
	618-6053	CONDT (PVC) (SCH 80) (3")	LF	750.000		750.000	
	618-6054	CONDT (PVC) (SCH 80) (3") (BORE)	LF	1,250.000		1,250.000	
	618-6055	CONDT (PVC) (SCH 80) (3") (BORE)(ROCK)	LF	75.000		75.000	
	618-6057	CONDT (PVC) (SCH 80) (3") (ROCK)	LF	100.000		100.000	
	620-6009	ELEC CONDR (NO.6) BARE	LF	7,500.000		7,500.000	
	620-6010	ELEC CONDR (NO.6) INSULATED	LF	2,000.000		2,000.000	
	621-6005	TRAY CABLE (4 CONDR) (12 AWG)	LF	5,000.000		5,000.000	
	624-6002	GROUND BOX TY A (122311)W/APRON	EA	2.000		2.000	
	624-6010	GROUND BOX TY D (162922)W/APRON	EA	36.000		36.000	
	625-6002	ZINC-COAT STL WIRE STRAND (3/16")	LF	1,000.000		1,000.000	
	625-6004	ZINC-COAT STL WIRE STRAND (5/16")	LF	1,000.000		1,000.000	



DISTRICT	COUNTY	CCSJ	SHEET
San Antonio	Bexar	0915-00-253	4



CONTROLLING PROJECT ID 0915-00-253

DISTRICT San Antonio
HIGHWAY Various

COUNTY Bexar

Estimate & Quantity Sheet

CONTROL SECTION JOB				0915-00-253		TOTAL EST.	TOTAL FINAL
PROJECT ID				A00188801			
COUNTY				Bexar			
HIGHWAY				Various			
ALT	BID CODE	DESCRIPTION	UNIT	EST.	FINAL		
	628-6002	REMOVE ELECTRICAL SERVICES	EA	2.000		2.000	
	628-6164	ELC SRV TY D 120/240 070(NS)AL(E)PS(U)	EA	1.000		1.000	
	628-6167	ELC SRV TY D 120/240 070(NS)AL(E)TP(O)	EA	8.000		8.000	
	628-6309	ELC SRV TY T 120/240 000(NS)GS(N)TP(O)	EA	1.000		1.000	
	636-6001	ALUMINUM SIGNS (TY A)	SF	200.000		200.000	
	636-6007	REPLACE EXISTING ALUMINUM SIGNS(TY A)	SF	200.000		200.000	
	644-6004	IN SM RD SN SUP&AM TY10BWG(1)SA(T)	EA	1.000		1.000	
	644-6030	IN SM RD SN SUP&AM TYS80(1)SA(T)	EA	6.000		6.000	
	644-6033	IN SM RD SN SUP&AM TYS80(1)SA(U)	EA	1.000		1.000	
	644-6076	REMOVE SM RD SN SUP&AM	EA	1.000		1.000	
	666-6006	REFL PAV MRK TY I (W)4"(DOT)(100MIL)	LF	100.000		100.000	
	666-6036	REFL PAV MRK TY I (W)8"(SLD)(100MIL)	LF	500.000		500.000	
	666-6048	REFL PAV MRK TY I (W)24"(SLD)(100MIL)	LF	500.000		500.000	
	666-6054	REFL PAV MRK TY I (W)(ARROW)(100MIL)	EA	4.000		4.000	
	666-6057	REFL PAV MRK TY I(W)(DBL ARROW)(100MIL)	EA	2.000		2.000	
	666-6078	REFL PAV MRK TY I (W)(WORD)(100MIL)	EA	4.000		4.000	
	666-6102	REF PAV MRK TY I(W)36"(YLD TRI)(100MIL)	EA	4.000		4.000	
	666-6147	REFL PAV MRK TY I (Y)24"(SLD)(100MIL)	LF	10.000		10.000	
	666-6156	REFL PAV MRK TY I(Y)(MED NOSE)(100MIL)	EA	1.000		1.000	
	666-6224	PAVEMENT SEALER 4"	LF	640.000		640.000	
	666-6226	PAVEMENT SEALER 8"	LF	500.000		500.000	
	666-6230	PAVEMENT SEALER 24"	LF	510.000		510.000	
	666-6231	PAVEMENT SEALER (ARROW)	EA	4.000		4.000	
	666-6232	PAVEMENT SEALER (WORD)	EA	4.000		4.000	
	666-6233	PAVEMENT SEALER (MED NOSE)	EA	1.000		1.000	
	666-6243	PAVEMENT SEALER (YLD TRI)	EA	4.000		4.000	
	666-6300	RE PM W/RET REQ TY I (W)4"(BRK)(100MIL)	LF	120.000		120.000	
	666-6303	RE PM W/RET REQ TY I (W)4"(SLD)(100MIL)	LF	150.000		150.000	
	666-6312	RE PM W/RET REQ TY I (Y)4"(BRK)(100MIL)	LF	120.000		120.000	
	666-6315	RE PM W/RET REQ TY I (Y)4"(SLD)(100MIL)	LF	150.000		150.000	
	672-6007	REFL PAV MRKR TY I-C	EA	30.000		30.000	
	672-6009	REFL PAV MRKR TY II-A-A	EA	20.000		20.000	
	672-6010	REFL PAV MRKR TY II-C-R	EA	20.000		20.000	
	677-6001	ELIM EXT PAV MRK & MRKS (4")	LF	100.000		100.000	
	677-6003	ELIM EXT PAV MRK & MRKS (8")	LF	20.000		20.000	
	677-6007	ELIM EXT PAV MRK & MRKS (24")	LF	250.000		250.000	
	677-6008	ELIM EXT PAV MRK & MRKS (ARROW)	EA	2.000		2.000	



DISTRICT	COUNTY	CCSJ	SHEET
San Antonio	Bexar	0915-00-253	4A



CONTROLLING PROJECT ID 0915-00-253

DISTRICT San Antonio
HIGHWAY Various

COUNTY Bexar

Estimate & Quantity Sheet

CONTROL SECTION JOB				0915-00-253		TOTAL EST.	TOTAL FINAL
PROJECT ID				A00188801			
COUNTY				Bexar			
HIGHWAY				Various			
ALT	BID CODE	DESCRIPTION	UNIT	EST.	FINAL		
	677-6012	ELIM EXT PAV MRK & MRKS (WORD)	EA	1.000		1.000	
	677-6018	ELIM EXT PAV MRK & MRKS (18")(YLD TRI)	EA	1.000		1.000	
	677-6019	ELIM EXT PAV MRK & MRKS (36")(YLD TRI)	EA	1.000		1.000	
	677-6020	ELIM EXT PAV MRK & MRKS (MED NOSE)	EA	1.000		1.000	
	680-6001	INSTALL HWY TRF SIG (FLASH BEACON)	EA	2.000		2.000	
	680-6002	INSTALL HWY TRF SIG (ISOLATED)	EA	5.000		5.000	
	680-6003	INSTALL HWY TRF SIG (SYSTEM)	EA	1.000		1.000	
	680-6004	REMOVING TRAFFIC SIGNALS	EA	2.000		2.000	
	680-6011	INSTALL HWY TRF SIG (UPGRADE)	EA	1.000		1.000	
	682-6001	VEH SIG SEC (12")LED(GRN)	EA	50.000		50.000	
	682-6002	VEH SIG SEC (12")LED(GRN ARW)	EA	15.000		15.000	
	682-6003	VEH SIG SEC (12")LED(YEL)	EA	50.000		50.000	
	682-6004	VEH SIG SEC (12")LED(YEL ARW)	EA	20.000		20.000	
	682-6005	VEH SIG SEC (12")LED(RED)	EA	50.000		50.000	
	682-6006	VEH SIG SEC (12")LED(RED ARW)	EA	15.000		15.000	
	682-6018	PED SIG SEC (LED)(COUNTDOWN)	EA	24.000		24.000	
	682-6047	LOUVER (12") (ADJUSTABLE)	EA	9.000		9.000	
	682-6049	BACKPLATE W/REFL BRDR(4 SEC)	EA	20.000		20.000	
	682-6050	BACKPLATE W/REFL BRDR(5 SEC)	EA	10.000		10.000	
	682-6051	BACKPLATE W/REFL BRDR(3 SEC)ALUM	EA	60.000		60.000	
	684-6009	TRF SIG CBL (TY A)(12 AWG)(4 CONDR)	LF	4,000.000		4,000.000	
	684-6012	TRF SIG CBL (TY A)(12 AWG)(7 CONDR)	LF	9,500.000		9,500.000	
	684-6080	TRF SIG CBL (TY C)(14 AWG)(2 CONDR)	LF	4,000.000		4,000.000	
	685-6004	INSTL RDSO FLSH BCN ASSM (SOLAR PWRD)	EA	4.000		4.000	
	686-6007	INS TRF SIG PL AM (S)STR(TY B)	EA	4.000		4.000	
	686-6008	INS TRF SIG PL AM (S)STR(TY B)LUM	EA	4.000		4.000	
	686-6019	INS TRF SIG PL AM (S)STR(TY D)	EA	2.000		2.000	
	686-6020	INS TRF SIG PL AM (S)STR(TY D)LUM	EA	2.000		2.000	
	686-6029	INS TRF SIG PL AM (S)1 ARM(28')	EA	1.000		1.000	
	686-6031	INS TRF SIG PL AM(S)1 ARM(28')LUM	EA	1.000		1.000	
	686-6033	INS TRF SIG PL AM(S)1 ARM(32')	EA	1.000		1.000	
	686-6035	INS TRF SIG PL AM(S)1 ARM(32')LUM	EA	1.000		1.000	
	686-6037	INS TRF SIG PL AM(S)1 ARM(36')	EA	1.000		1.000	
	686-6039	INS TRF SIG PL AM(S)1 ARM(36')LUM	EA	1.000		1.000	
	686-6041	INS TRF SIG PL AM(S)1 ARM(40')	EA	1.000		1.000	
	686-6043	INS TRF SIG PL AM(S)1 ARM(40')LUM	EA	1.000		1.000	
	686-6045	INS TRF SIG PL AM(S)1 ARM(44')	EA	1.000		1.000	



DISTRICT	COUNTY	CCSJ	SHEET
San Antonio	Bexar	0915-00-253	4B



Estimate & Quantity Sheet

CONTROLLING PROJECT ID 0915-00-253

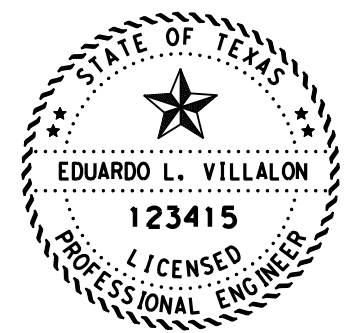
DISTRICT San Antonio

COUNTY Bexar

HIGHWAY Various

CONTROL SECTION JOB				0915-00-253		TOTAL EST.	TOTAL FINAL
PROJECT ID				A00188801			
COUNTY				Bexar			
HIGHWAY				Various			
ALT	BID CODE	DESCRIPTION	UNIT	EST.	FINAL		
	686-6047	INS TRF SIG PL AM(S)1 ARM(44')LUM	EA	1.000		1.000	
	686-6049	INS TRF SIG PL AM(S)1 ARM(48')	EA	1.000		1.000	
	686-6051	INS TRF SIG PL AM(S)1 ARM(48')LUM	EA	1.000		1.000	
	686-6103	INS TRF SIG PL AM(S)2 ARM(32-28')LUM	EA	1.000		1.000	
	686-6123	INS TRF SIG PL AM(S)2 ARM(36-32')LUM	EA	1.000		1.000	
	686-6139	INS TRF SIG PL AM(S)2 ARM(40-28')LUM	EA	1.000		1.000	
	686-6167	INS TRF SIG PL AM(S)2 ARM(44-36')LUM	EA	1.000		1.000	
	687-6001	PED POLE ASSEMBLY	EA	10.000		10.000	
	687-6002	PEDESTRIAN PUSH BUTTON POLE	EA	1.000		1.000	
	688-6001	PED DETECT PUSH BUTTON (APS)	EA	24.000		24.000	
	688-6003	PED DETECTOR CONTROLLER UNIT	EA	6.000		6.000	
	690-6016	REMOVAL OF SPAN CABLE ASSM	LF	100.000		100.000	
	690-6024	REMOVAL OF SIGNAL HEAD ASSM	EA	4.000		4.000	
	690-6086	REMOVE VID IMAGE VEH DET SYS (VIVDS)	EA	4.000		4.000	
	6001-6001	PORTABLE CHANGEABLE MESSAGE SIGN	DAY	150.000		150.000	
	6004-6031	ITS COM CBL (ETHERNET)	LF	300.000		300.000	
	6010-6010	CCTV FIELD EQUIP (ANALOG) (INSTL ONLY)	EA	1.000		1.000	
	6010-6011	CCTV FIELD EQUIP (DIGITAL) (INSTL ONLY)	EA	1.000		1.000	
	6027-6003	CONDUIT (PREPARE)	LF	400.000		400.000	
	6027-6008	GROUND BOX (PREPARE)	EA	4.000		4.000	
	6056-6001	PREFORMED IN-LANE(TRANS) RUMBLE STRIP	LF	60.000		60.000	
	6185-6002	TMA (STATIONARY)	DAY	72.000		72.000	
	6185-6005	TMA (MOBILE OPERATION)	DAY	72.000		72.000	
	6292-6001	RVDS(PRESENCE DETECTION ONLY)	EA	10.000		10.000	
	6292-6002	RVDS(ADVANCE DETECTION ONLY)	EA	5.000		5.000	
	08	CONTRACTOR FORCE ACCOUNT LAW ENFORCEMENT (NON-PARTICIPATING)	LS	1.000		1.000	
		CONTRACTOR FORCE ACCOUNT SAFETY CONTINGENCY (NON-PARTICIPATING)	LS	1.000		1.000	
		CONTRACTOR FORCE ACCOUNT EROSION CONTROL MAINTENANCE (NON-PARTICIPATING)	LS	1.000		1.000	

LOC NO.	TCP PHASE	SPECIFIC TCP PLAN SHEET OR TCP STANDARD SHEET					6185 6002	6185 6005
			FURNISH TMA/TA	RELOCATE/REUSE TMA/TA	TOTAL TMA/TA PER SET UP	DURATION OF TMA/TA SET UP	TMA (STATIONARY) DAY	TMA (MOBILE OPERATION) DAY
SHEET NUMBER			EA	EA	EA	DAYS PER TMA/TA USE		
N/A	N/A	TCP (1-1) -18	1		1	4	4	
N/A	N/A	TCP (1-2) -18	1		1	4	4	
N/A	N/A	TCP (1-3) -18	2		2	2	4	
N/A	N/A	TCP (1-4) -18	1		1	3	3	
N/A	N/A	TCP (1-5) -18	1		1	3	3	
N/A	N/A	TCP (2-1) -18	1		1	3	3	
N/A	N/A	TCP (2-2) -18	1		1	3	3	
N/A	N/A	TCP (2-3) -18	2		2	2	4	
N/A	N/A	TCP (2-4) -18	1		1	3	3	
N/A	N/A	TCP (2-5) -18	1		1	3	3	
N/A	N/A	TCP (2-6) -18	1		1	3	3	
N/A	N/A	TCP (3-1) -13	2		2	10		20
N/A	N/A	TCP (3-2) -13	3		3	4		12
N/A	N/A	TCP (3-3) -14	3		3	4		12
N/A	N/A	TCP (3-4) -13	2		2	7		14
N/A	N/A	TCP (3-5) -18	1		1	14		14
N/A	N/A	TCP (5-1) -18	1		1	5	5	
N/A	N/A	TCP (6-1) -12	2		2	2	4	
N/A	N/A	TCP (6-2) -12	1		1	3	3	
N/A	N/A	TCP (6-3) -12	1		1	3	3	
N/A	N/A	TCP (6-4) -12	2		2	2	4	
N/A	N/A	TCP (6-5) -12	2		2	2	4	
N/A	N/A	TCP (6-6) -12	3		3	2	6	
N/A	N/A	TCP (6-7) -12	3		3	2	6	
TOTALS			39		39		72	72



10/17/2022

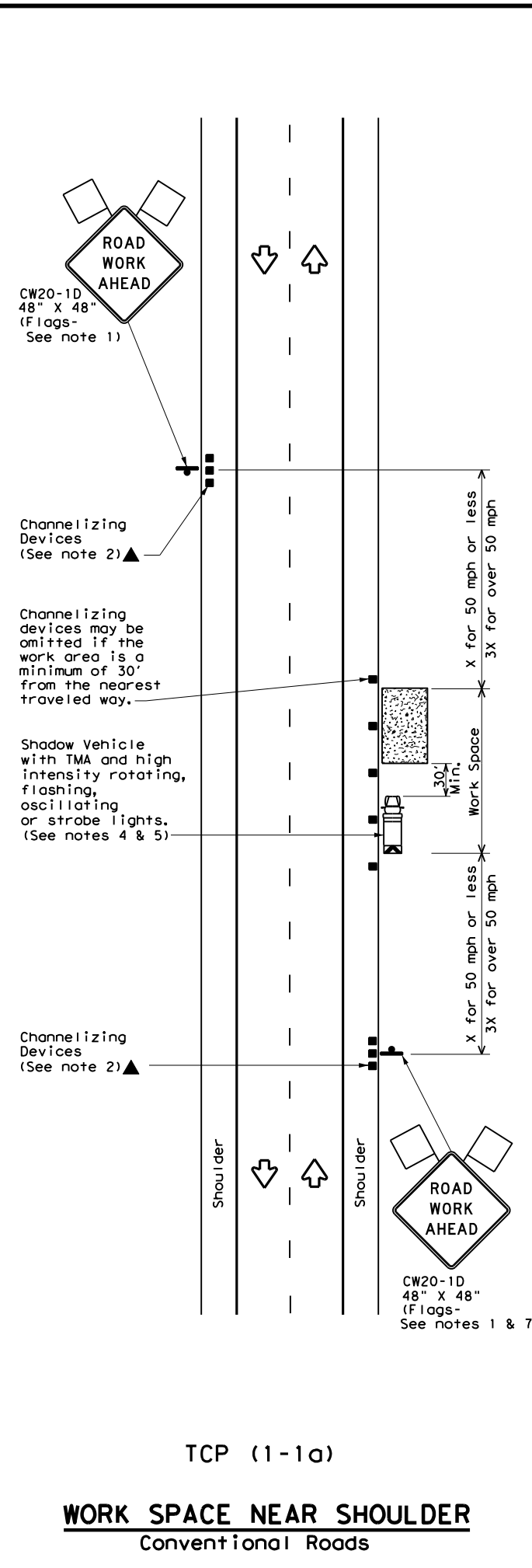
 EDUARDO L. VILLALON, P.E. DATE

TRUCK MOUNTED ATTENUATOR (TMA) AND TRAILER ATTENUATOR (TA) SUMMARY SHEET

NOTE.
 FURNISH TMA/TA - THE NUMBER OF ATTENUATORS BEING FURNISHED FOR THE SPECIFIC TCP.
 RELOCATE/REUSE TMA/TA - THE NUMBER OF ATTENUATORS BEING REUSED FROM A PREVIOUS TCP FOR THE SPECIFIC TCP.
 TOTAL TMA/TA PER SET UP = (FURNISH TMA/TA) + (RELOCATE/REUSE TMA/TA)
 DURATION OF TMA/TA SET UP - THE NUMBER OF DAYS THE ATTENUATORS WILL BE USED FOR THE SPECIFIC TCP.
 TMA/TA (STATIONARY) = (TOTAL TMA/TA PER SET UP) X (THE DURATION OF TMA/TA SET UP)
 TMA/TA (MOBILE OPERATION) = (TOTAL TMA/TA PER SET UP) X (THE DURATION OF TMA/TA SET UP)
 PROJECT LOCATIONS AND PLAN DETAILS WILL BE INCORPORATED BY WORK ORDER OVER THE LIFE OF THE CONTRACT.
 QUANTITIES SHOWN ON THIS SHEET ARE FOR ESTIMATING PURPOSES AND TO PROVIDE THE CONTRACTOR WITH NUMBER OF TMA'S NEEDED PER TCP SETUP.
 THERE IS NO GUARANTEED AMOUNT OF WORK UNDER THIS CONTRACT.

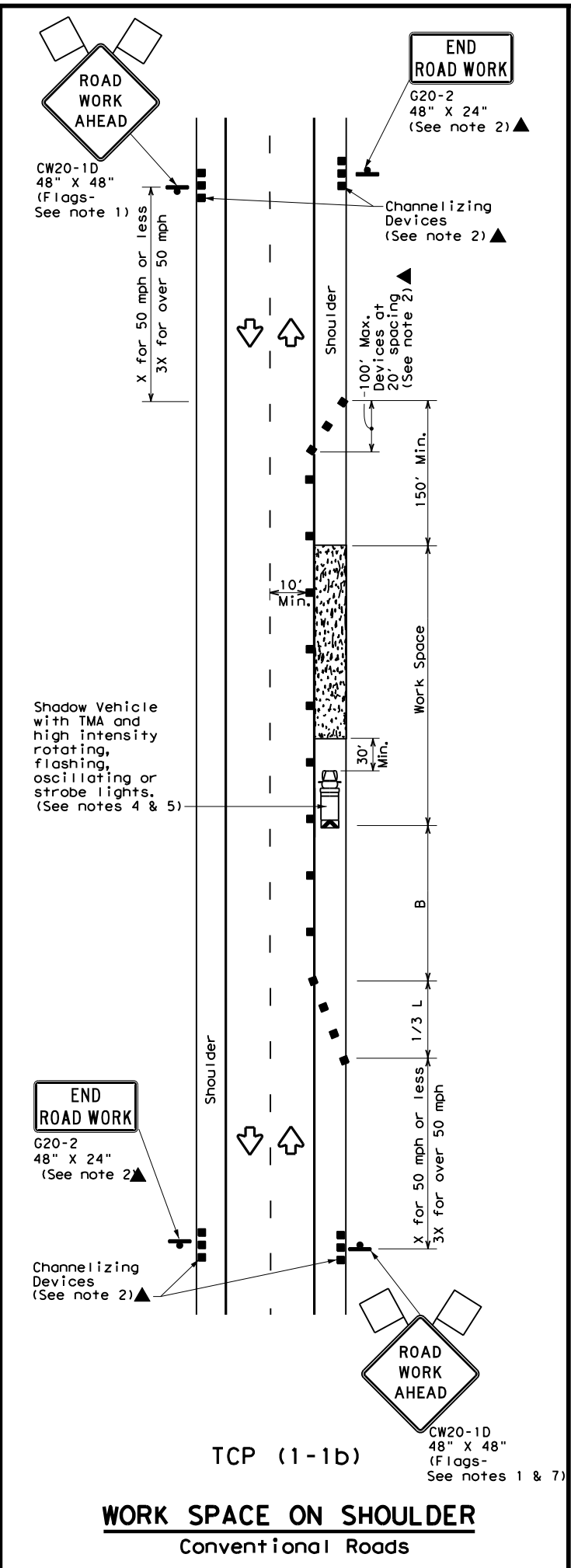
FILE: tma.dgn	DN: TxDOT	CK:	CK:
© TxDOT	CONT 0915	SECT 00	JOB 253 HIGHWAY VARIOUS
REVISIONS 3/2018	DIST COUNTY		
	SAT BEXAR		
	PROJECT		SHEET NO.
	SEE TITLE SHEET		5

DATE: 10/17/2022 1:54:38 PM
 FILE: I:\Traffic\Design\District PS&E Tracking\Plan_Review\Bexar\0915-00-255 ID: 1-18.dgn
 The use of this standard is governed by the "Texas Engineering Practice Act". No warranty of any kind is made by TxDOT for any purpose whatsoever. TxDOT assumes no responsibility for the conversion of units or the accuracy of the information contained herein. The user of this standard is responsible for the accuracy of the information contained herein. TxDOT is not responsible for the accuracy of the information contained herein.



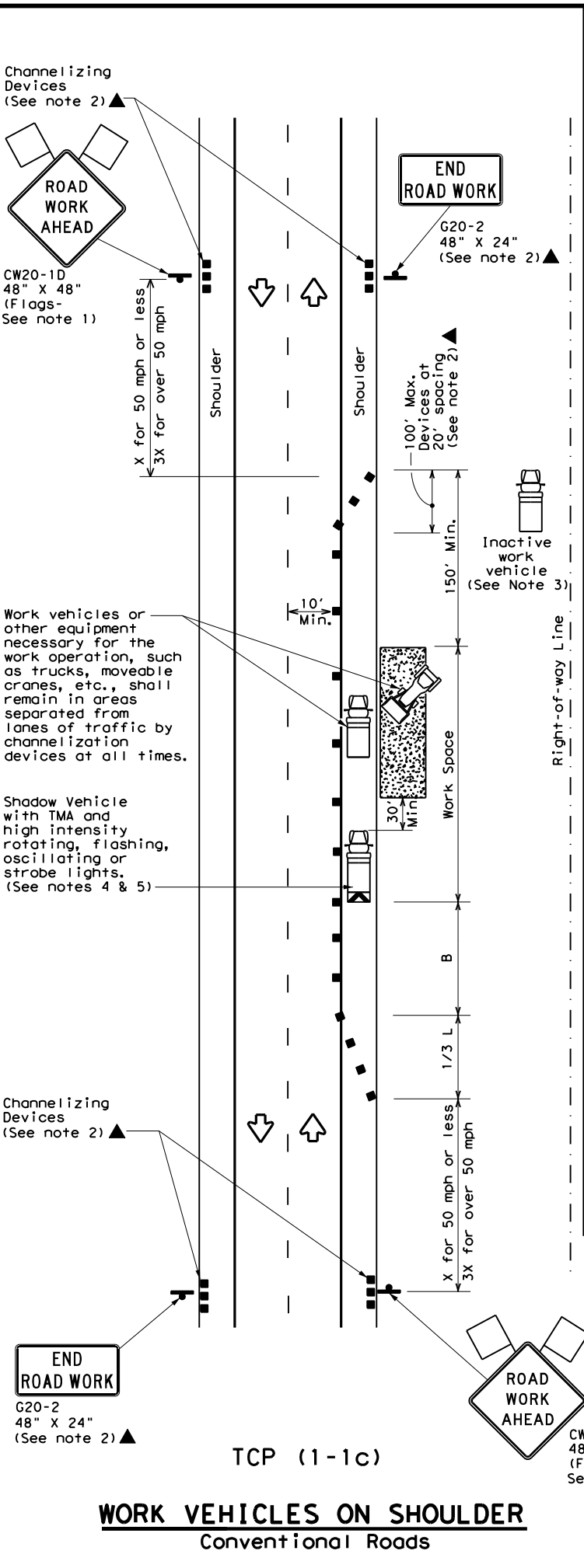
TCP (1-1a)

WORK SPACE NEAR SHOULDER
 Conventional Roads



TCP (1-1b)

WORK SPACE ON SHOULDER
 Conventional Roads



TCP (1-1c)

WORK VEHICLES ON SHOULDER
 Conventional Roads

LEGEND			
	Type 3 Barricade		Channelizing Devices
	Heavy Work Vehicle		Truck Mounted Attenuator (TMA)
	Trailer Mounted Flashing Arrow Board		Portable Changeable Message Sign (PCMS)
	Sign		Traffic Flow
	Flag		Flagger

Posted Speed *	Formula	Minimum Desirable Taper Lengths **			Suggested Maximum Spacing of Channelizing Devices		Minimum Sign Spacing "X" Distance	Suggested Longitudinal Buffer Space "B"
		10' Offset	11' Offset	12' Offset	On a Taper	On a Tangent		
30	$L = \frac{WS^2}{60}$	150'	165'	180'	30'	60'	120'	90'
35		205'	225'	245'	35'	70'	160'	120'
40		265'	295'	320'	40'	80'	240'	155'
45	L = WS	450'	495'	540'	45'	90'	320'	195'
50		500'	550'	600'	50'	100'	400'	240'
55		550'	605'	660'	55'	110'	500'	295'
60		600'	660'	720'	60'	120'	600'	350'
65		650'	715'	780'	65'	130'	700'	410'
70		700'	770'	840'	70'	140'	800'	475'
75		750'	825'	900'	75'	150'	900'	540'

* Conventional Roads Only
 ** Taper lengths have been rounded off.
 L=Length of Taper (FT) W=Width of Offset (FT) S=Posted Speed (MPH)

TYPICAL USAGE				
MOBILE	SHORT DURATION	SHORT TERM STATIONARY	INTERMEDIATE TERM STATIONARY	LONG TERM STATIONARY
	✓	✓		

- GENERAL NOTES**
- Flags attached to signs where shown are REQUIRED.
 - All traffic control devices illustrated are REQUIRED, except those denoted with the triangle symbol may be omitted when stated elsewhere in the plans, or for routine maintenance work, when approved by the Engineer.
 - Inactive work vehicles or other equipment should be parked near the right-of-way line and not parked on the paved shoulder.
 - A Shadow Vehicle with a TMA should be used anytime it can be positioned 30 to 100 feet in advance of the area of crew exposure without adversely affecting the performance or quality of the work. If workers are no longer present but road or work conditions require the traffic control to remain in place, Type 3 Barricades or other channelizing devices may be substituted for the Shadow Vehicle and TMA.
 - Additional Shadow Vehicles with TMAs may be positioned off the paved surface, next to those shown in order to protect wider work spaces.
 - See TCP(5-1) for shoulder work on divided highways, expressways and freeways.
 - CW21-5 "SHOULDER WORK" signs may be used in place of CW20-1D "ROAD WORK AHEAD" signs for shoulder work on conventional roadways.

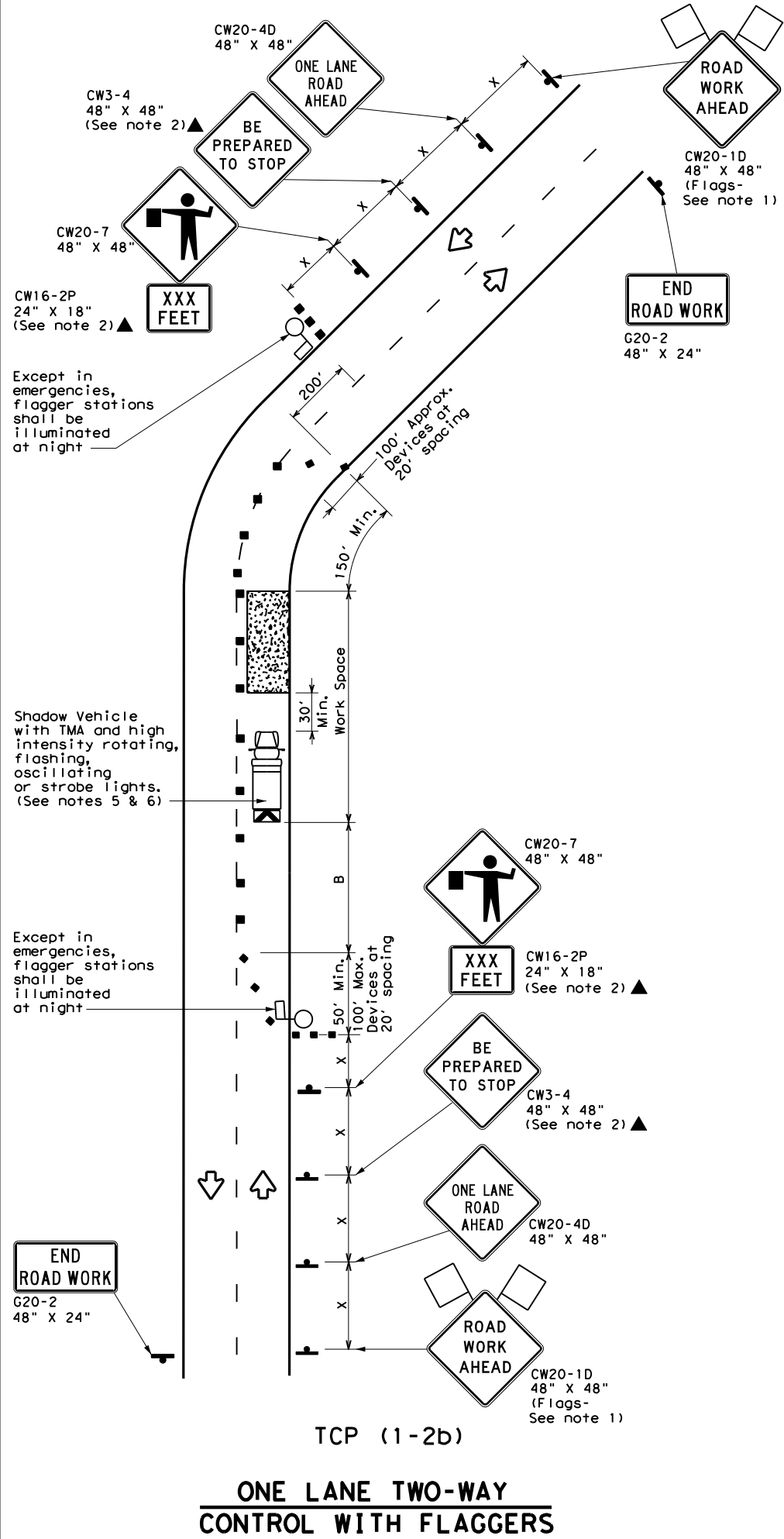
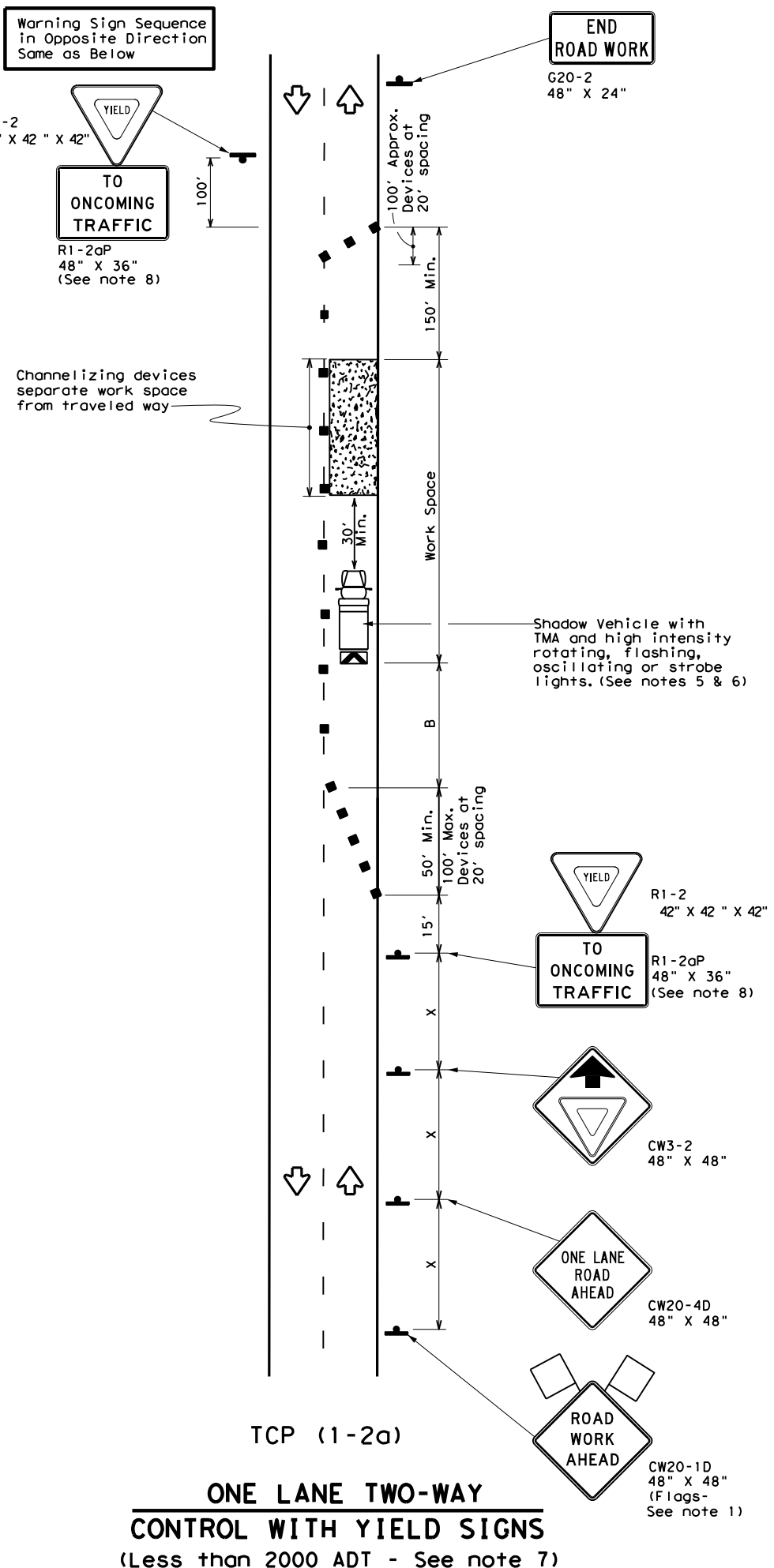


TRAFFIC CONTROL PLAN
CONVENTIONAL ROAD
SHOULDER WORK

TCP (1-1) - 18

FILE: tcp1-1-18.dgn	DN:	CK:	DW:	CK:
© TxDOT December 1985	CON:	SECT:	JOB:	HIGHWAY:
REVISIONS	0915 00		253	VARIOUS
2-94 4-98				
8-95 2-12				
1-97 2-18	SAT		BEXAR	SHEET NO. 6

DATE: sDATES sTIMES
 FILE: I:\Traffic\Design\District Ps&E Tracking\Plan Review\Bexar\0915-00-253\TrafficControl\0915-00-253.dgn
 The use of this standard is governed by the "Texas Engineering Practice Act". No warranty of any kind is made by TxDOT for any purpose whatsoever. TxDOT assumes no responsibility for the conversion of units or the use of this standard in any other state or country.



LEGEND

	Type 3 Barricade		Channelizing Devices
	Heavy Work Vehicle		Truck Mounted Attenuator (TMA)
	Trailer Mounted Flashing Arrow Board		Portable Changeable Message Sign (PCMS)
	Sign		Traffic Flow
	Flag		Flagger

Posted Speed * X	Formula L = WS ² / 60	Minimum Desirable Taper Lengths **			Suggested Maximum Spacing of Channelizing Devices		Minimum Sign Spacing "X" Distance	Suggested Longitudinal Buffer Space "B"	Stopping Sight Distance
		10' Offset	11' Offset	12' Offset	On a Taper	On a Tangent			
30		150'	165'	180'	30'	60'	120'	90'	200'
35		205'	225'	245'	35'	70'	160'	120'	250'
40		265'	295'	320'	40'	80'	240'	155'	305'
45	L = WS	450'	495'	540'	45'	90'	320'	195'	360'
50		500'	550'	600'	50'	100'	400'	240'	425'
55		550'	605'	660'	55'	110'	500'	295'	495'
60		600'	660'	720'	60'	120'	600'	350'	570'
65		650'	715'	780'	65'	130'	700'	410'	645'
70		700'	770'	840'	70'	140'	800'	475'	730'
75		750'	825'	900'	75'	150'	900'	540'	820'

* Conventional Roads Only
 ** Taper lengths have been rounded off.
 L=Length of Taper (FT) W=Width of Offset (FT) S=Posted Speed (MPH)

TYPICAL USAGE

MOBILE	SHORT DURATION	SHORT TERM STATIONARY	INTERMEDIATE TERM STATIONARY	LONG TERM STATIONARY
	✓	✓		

GENERAL NOTES

- Flags attached to signs where shown are REQUIRED.
 - All traffic control devices illustrated are REQUIRED, except those denoted with the triangle symbol may be omitted when stated elsewhere in the plans, or for routine maintenance work, when approved by the Engineer.
 - The CW3-4 "BE PREPARED TO STOP" sign may be installed after the CW20-4D "ONE LANE ROAD AHEAD" sign, but proper sign spacing shall be maintained.
 - Sign spacing may be increased or an additional CW20-1D "ROAD WORK AHEAD" sign may be used if advance warning ahead of the flagger or R1-2 "YIELD" sign is less than 1500 feet.
 - A Shadow Vehicle with a TMA should be used anytime it can be positioned 30 to 100 feet in advance of the area of crew exposure without adversely affecting the performance or quality of the work. If workers are no longer present but road or work conditions require the traffic control to remain in place, Type 3 Barricades or other channelizing devices may be substituted for the Shadow Vehicle and TMA.
 - Additional Shadow Vehicles with TMAs may be positioned off the paved surface, next to those shown in order to protect wider work spaces.
- TCP (1-2a)**
- R1-2 "YIELD" sign traffic control may be used on projects with approaches that have adequate sight distance. For projects in urban areas, work spaces should be no longer than one half city block. In rural areas on roadways with less than 2000 ADT, work spaces should be no longer than 400 feet.
 - R1-2 "YIELD" sign with R1-2aP "TO ONCOMING TRAFFIC" plaque shall be placed on a support at a 7 foot minimum mounting height.
- TCP (1-2b)**
- Flaggers should use two-way radios or other methods of communication to control traffic.
 - Length of work space should be based on the ability of flaggers to communicate.
 - If the work space is located near a horizontal or vertical curve, the buffer distances should be increased in order to maintain adequate stopping sight distance to the flagger and a queue of stopped vehicles (see table above).
 - Channelizing devices on the center-line may be omitted when a pilot car is leading traffic and approved by the Engineer.
 - Flaggers should use 24" STOP/SLOW paddles to control traffic. Flags should be limited to emergency situations.

Texas Department of Transportation Traffic Operations Division Standard

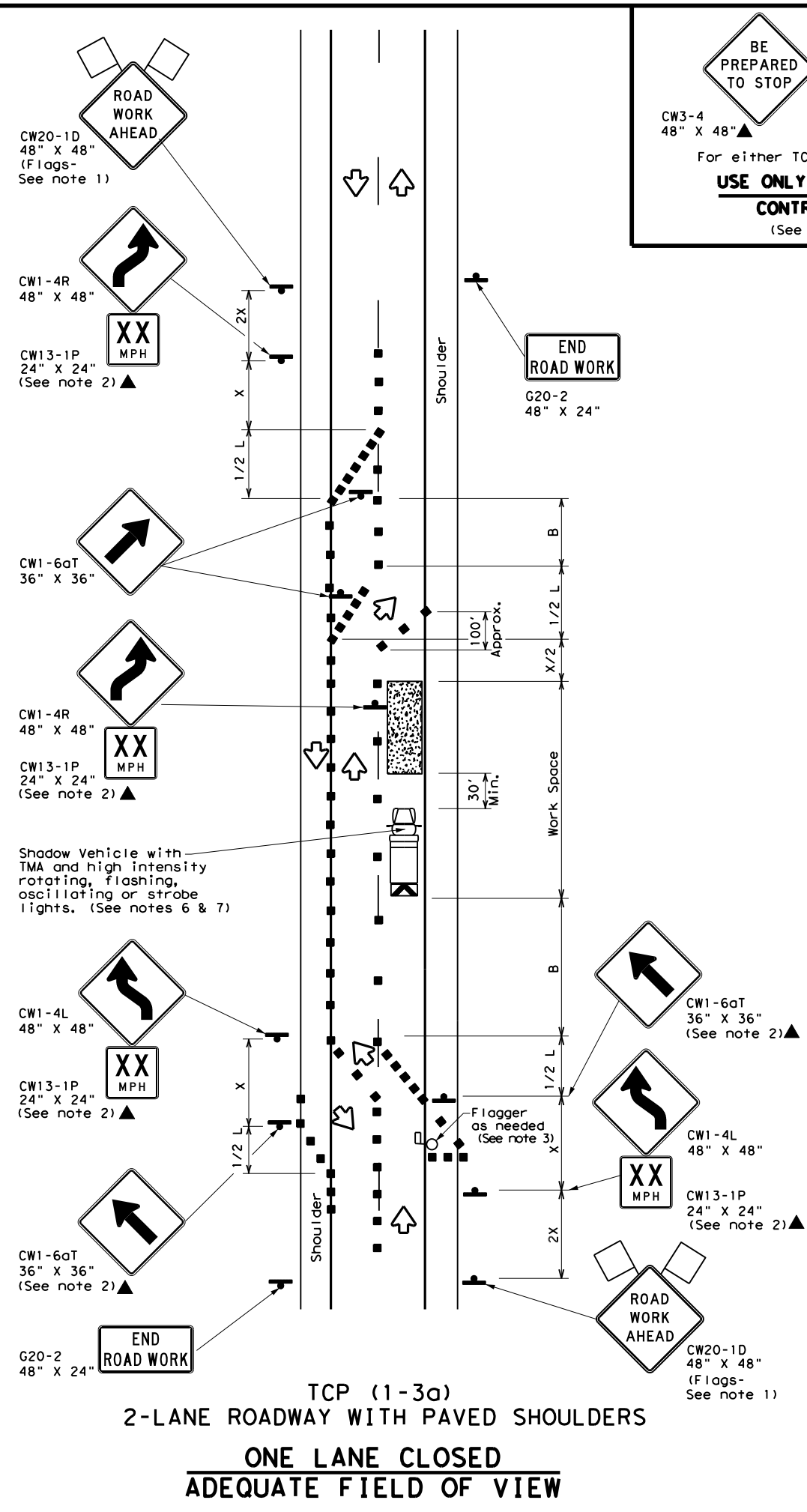
TRAFFIC CONTROL PLAN
ONE-LANE TWO-WAY
TRAFFIC CONTROL

TCP (1-2) - 18

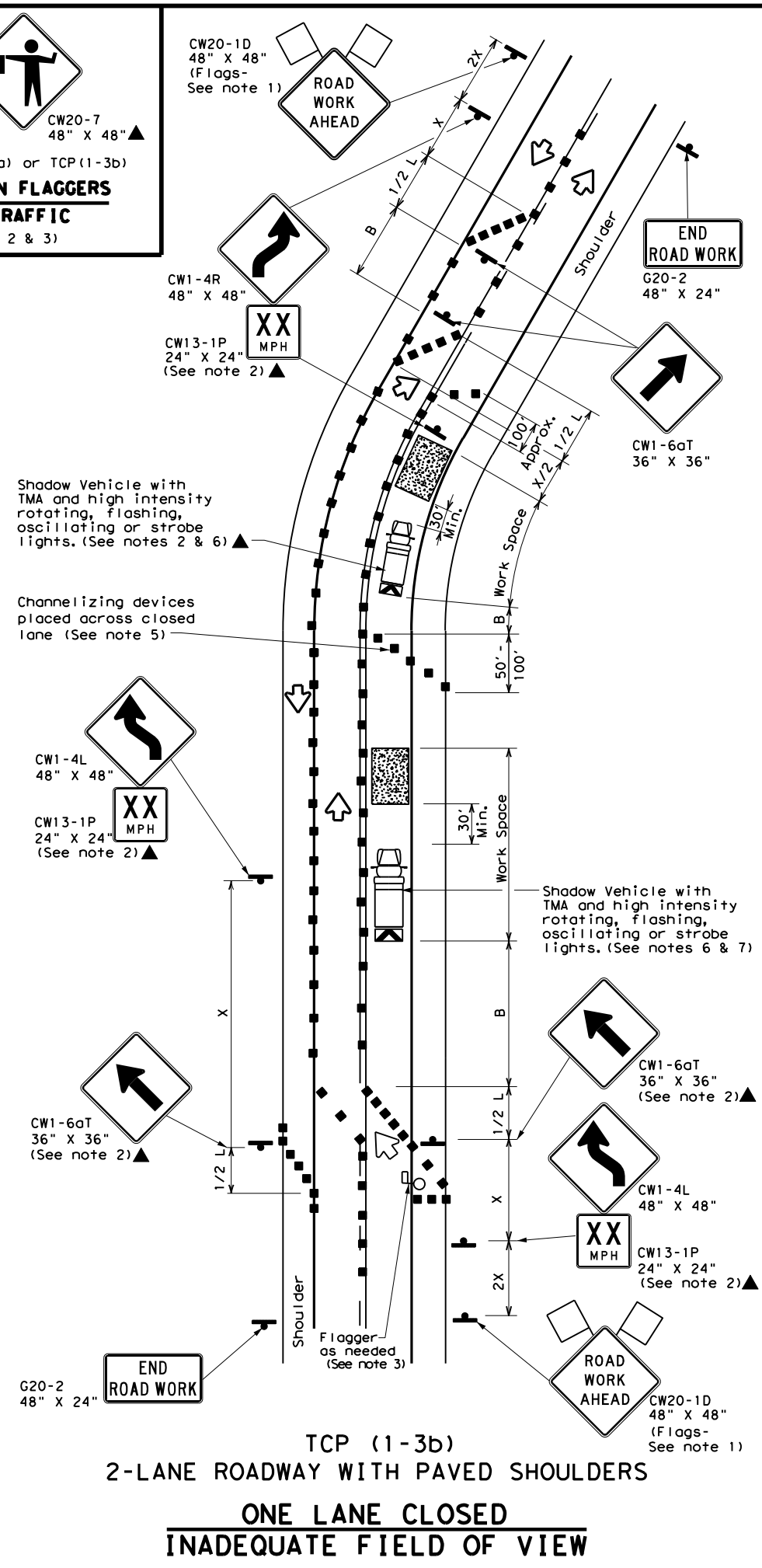
FILE: tcp1-2-18.dgn	DN:	CK:	DW:	CK:
© TxDOT December 1985	CONT	SECT	JOB	HIGHWAY
REVISIONS	0915 00		253	VARIOUS
4-90 4-98				
2-94 2-12				
1-97 2-18	SAT		BEXAR	7

152

DATE: 10/17/2022 1:54:38 PM
 FILE: I:\Traffic\Design\District PS&E Tracking\Plan_Review\Bexar\0915-00-259-1D\0915-00-259-1D.dgn
 No warranty of any kind is made by TxDOT for any purpose whatsoever. TxDOT assumes no responsibility for the conversion of any information from any source into any other format or for the accuracy of any information derived therefrom.



BE PREPARED TO STOP
 CW3-4 48" X 48"
 CW20-7 48" X 48"
 For either TCP(1-3a) or TCP(1-3b)
USE ONLY WHEN FLAGGERS CONTROL TRAFFIC
 (See Notes 2 & 3)



LEGEND

	Type 3 Barricade		Channelizing Devices
	Heavy Work Vehicle		Truck Mounted Attenuator (TMA)
	Trailer Mounted Flashing Arrow Board		Portable Changeable Message Sign (PCMS)
	Sign		Traffic Flow
	Flag		Flagger

Posted Speed *	Formula	Minimum Desirable Taper Lengths **			Suggested Maximum Spacing of Channelizing Devices		Minimum Sign Spacing "X" Distance	Suggested Longitudinal Buffer Space "B"
		10' Offset	11' Offset	12' Offset	On a Taper	On a Tangent		
30	L = WS / 60	150'	165'	180'	30'	60'	120'	90'
35		205'	225'	245'	35'	70'	160'	120'
40		265'	295'	320'	40'	80'	240'	155'
45	L = WS	450'	495'	540'	45'	90'	320'	195'
50		500'	550'	600'	50'	100'	400'	240'
55		550'	605'	660'	55'	110'	500'	295'
60		600'	660'	720'	60'	120'	600'	350'
65		650'	715'	780'	65'	130'	700'	410'
70		700'	770'	840'	70'	140'	800'	475'
75		750'	825'	900'	75'	150'	900'	540'

* Conventional Roads Only
 ** Taper lengths have been rounded off.
 L=Length of Taper (FT) W=Width of Offset (FT) S=Posted Speed (MPH)

TYPICAL USAGE

MOBILE	SHORT DURATION	SHORT TERM STATIONARY	INTERMEDIATE TERM STATIONARY	LONG TERM STATIONARY
	✓	✓		

- GENERAL NOTES**
- Flags attached to signs where shown are REQUIRED.
 - All traffic control devices illustrated are REQUIRED, except those denoted with the triangle symbol may be omitted when stated elsewhere in the plans, or for routine maintenance work, when approved by the Engineer.
 - Flagger control should NOT be used unless roadway conditions or heavy traffic volume require additional emphasis to safely control traffic. Additional flaggers may be positioned in advance of traffic queues to alert traffic to reduce speed.
 - DO NOT PASS, PASS WITH CARE and construction regulatory speed zone signs may be installed downstream of the ROAD WORK AHEAD signs.
 - When the work zone is made up of several work spaces, channelizing devices should be placed laterally across the closed lane to re-emphasize closure. Laterally placed channelizing devices should be repeated every 500 to 1000 feet in urban areas and every 1/4 to 1/2 mile in rural areas.
 - A Shadow Vehicle with a TMA should be used anytime it can be positioned 30 to 100 feet in advance of the area of crew exposure without adversely affecting the performance or quality of the work. If workers are no longer present but road or work conditions require the traffic control to remain in place, Type 3 Barricades or other channelizing devices may be substituted for the Shadow Vehicle and TMA.
 - Additional Shadow Vehicles with TMAs may be positioned off the paved surface, next to those shown in order to protect wider work spaces.
 - Where traffic is directed over a yellow centerline, channelizing devices which separate two-way traffic should be spaced on tapers at 20', or 15' if posted speed are 35 mph or slower, and for tangent sections, at 1/2S where S is the speed in mph. This tighter device spacing is intended for the area of conflicting markings not the entire work zone.

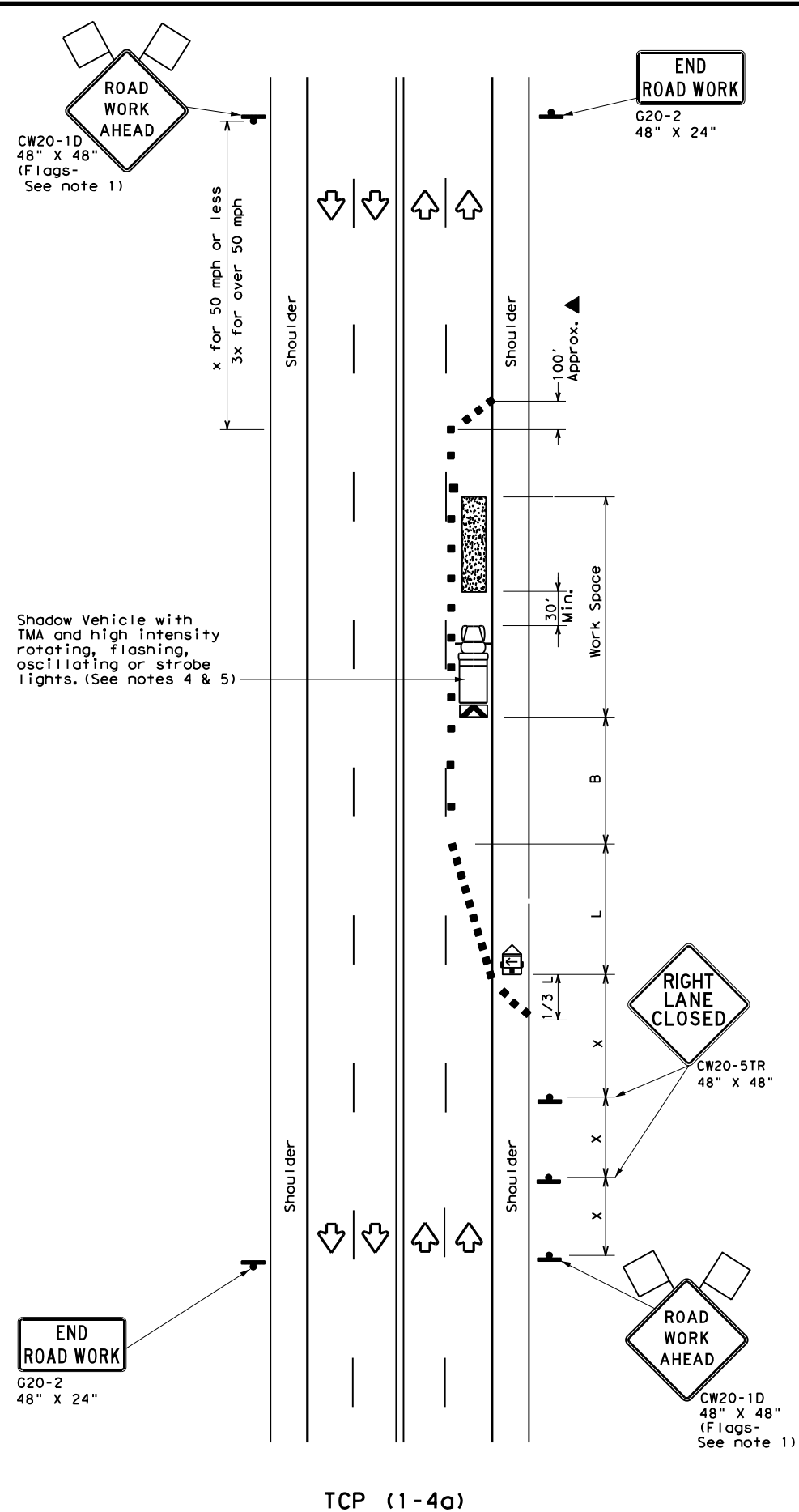
Texas Department of Transportation
 Traffic Operations Division Standard

TRAFFIC CONTROL PLAN
TRAFFIC SHIFTS ON
TWO LANE ROADS
TCP(1-3)-18

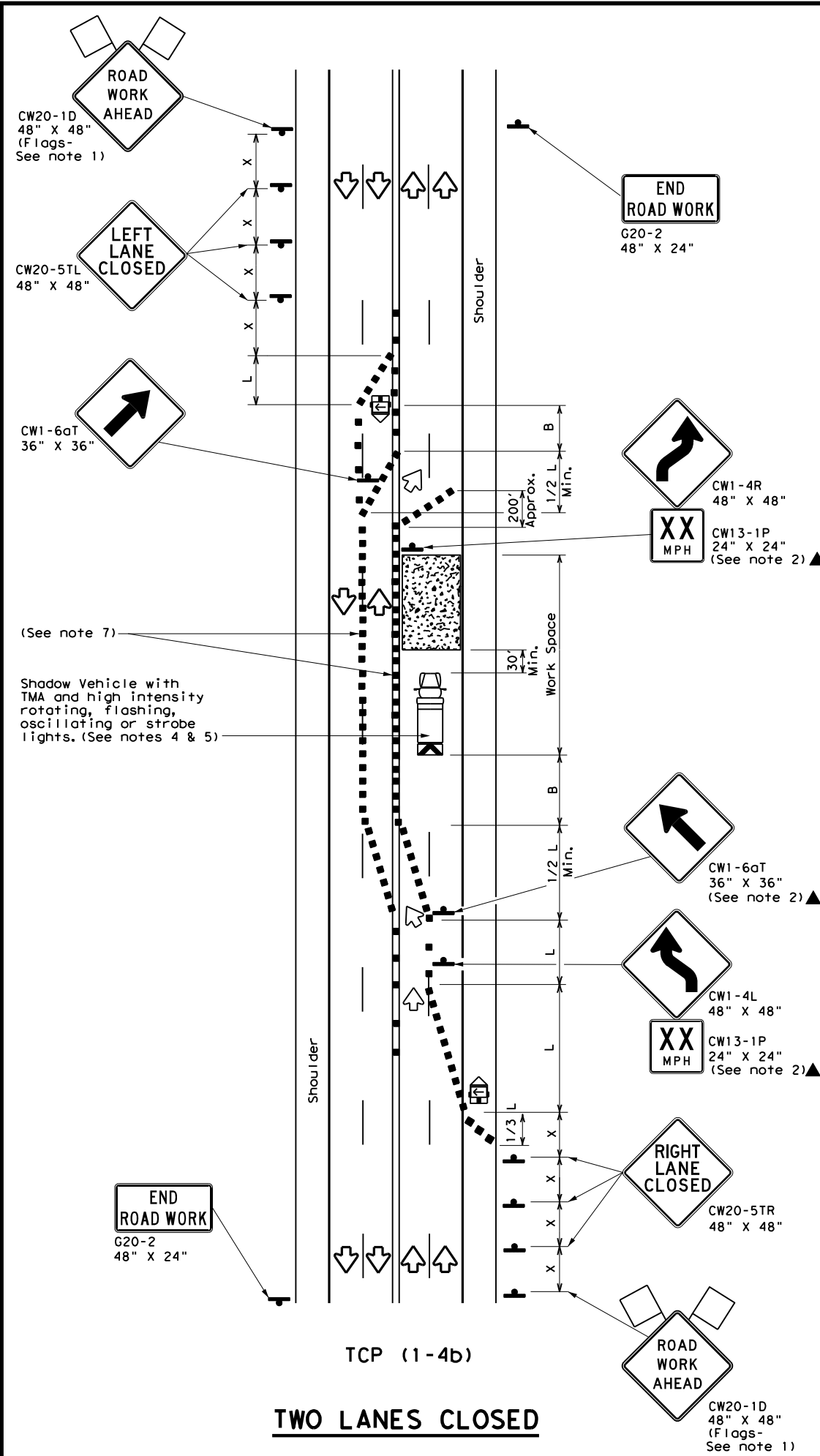
FILE: tcp1-3-18.dgn	CONT:	CK:	DW:	CK:
© TxDOT December 1985	REV: 0915 00	SECT:	JOB: 253	HIGHWAY: VARIOUS
2-94 4-98	8-95 2-12	DIST:	COUNTY: BEXAR	SHEET NO.: 8
1-97 2-18	SAT:			

DISCLAIMER:

The use of this standard is governed by the "Texas Engineering Practice Act". No warranty of any kind is made by TxDOT for any purpose whatsoever. TxDOT assumes no responsibility for the conversion of this standard into a format other than that in which it was originally prepared. The user of this standard is responsible for ensuring that the standard is current and that it is used in accordance with the latest edition. TxDOT reserves the right to modify this standard without notice. DATE: 10/17/2022 1:54:39 PM FILE: I:\Traffic\Design\District PS&E Tracking\Plan_Review\Bexar\0915-00-259 ID: 18848



TCP (1-4a)
ONE LANE CLOSED



TCP (1-4b)
TWO LANES CLOSED

LEGEND			
	Type 3 Barricade		Channelizing Devices
	Heavy Work Vehicle		Truck Mounted Attenuator (TMA)
	Trailer Mounted Flashing Arrow Board		Portable Changeable Message Sign (PCMS)
	Sign		Traffic Flow
	Flag		Flagger

Posted Speed *	Formula	Minimum Desirable Taper Lengths **			Suggested Maximum Spacing of Channelizing Devices		Minimum Sign Spacing "x" Distance	Suggested Longitudinal Buffer Space "B"
		10' Offset	11' Offset	12' Offset	On a Taper	On a Tangent		
30	$L = \frac{WS^2}{60}$	150'	165'	180'	30'	60'	120'	90'
35		205'	225'	245'	35'	70'	160'	120'
40		265'	295'	320'	40'	80'	240'	155'
45	$L = WS$	450'	495'	540'	45'	90'	320'	195'
50		500'	550'	600'	50'	100'	400'	240'
55		550'	605'	660'	55'	110'	500'	295'
60		600'	660'	720'	60'	120'	600'	350'
65		650'	715'	780'	65'	130'	700'	410'
70		700'	770'	840'	70'	140'	800'	475'
75		750'	825'	900'	75'	150'	900'	540'

* Conventional Roads Only
** Taper lengths have been rounded off.
L=Length of Taper (FT) W=Width of Offset (FT) S=Posted Speed (MPH)

TYPICAL USAGE				
MOBILE	SHORT DURATION	SHORT TERM STATIONARY	INTERMEDIATE TERM STATIONARY	LONG TERM STATIONARY
	✓	✓		

GENERAL NOTES

- Flags attached to signs where shown are REQUIRED.
- All traffic control devices illustrated are REQUIRED, except those denoted with the triangle symbol may be omitted when stated elsewhere in the plans, or for routine maintenance work, when approved by the Engineer.
- The CW20-1D "ROAD WORK AHEAD" sign may be repeated if the visibility of the work zone is less than 1500 feet.
- A Shadow Vehicle with a TMA should be used anytime it can be positioned 30 to 100 feet in advance of the area of crew exposure without adversely affecting the performance or quality of the work. If workers are no longer present but road or work conditions require the traffic control to remain in place, Type 3 Barricades or other channelizing devices may be substituted for the Shadow Vehicle and TMA.
- Additional Shadow Vehicles with TMAs may be positioned off the paved surface, next to those shown in order to protect wider work spaces.

TCP (1-4a)

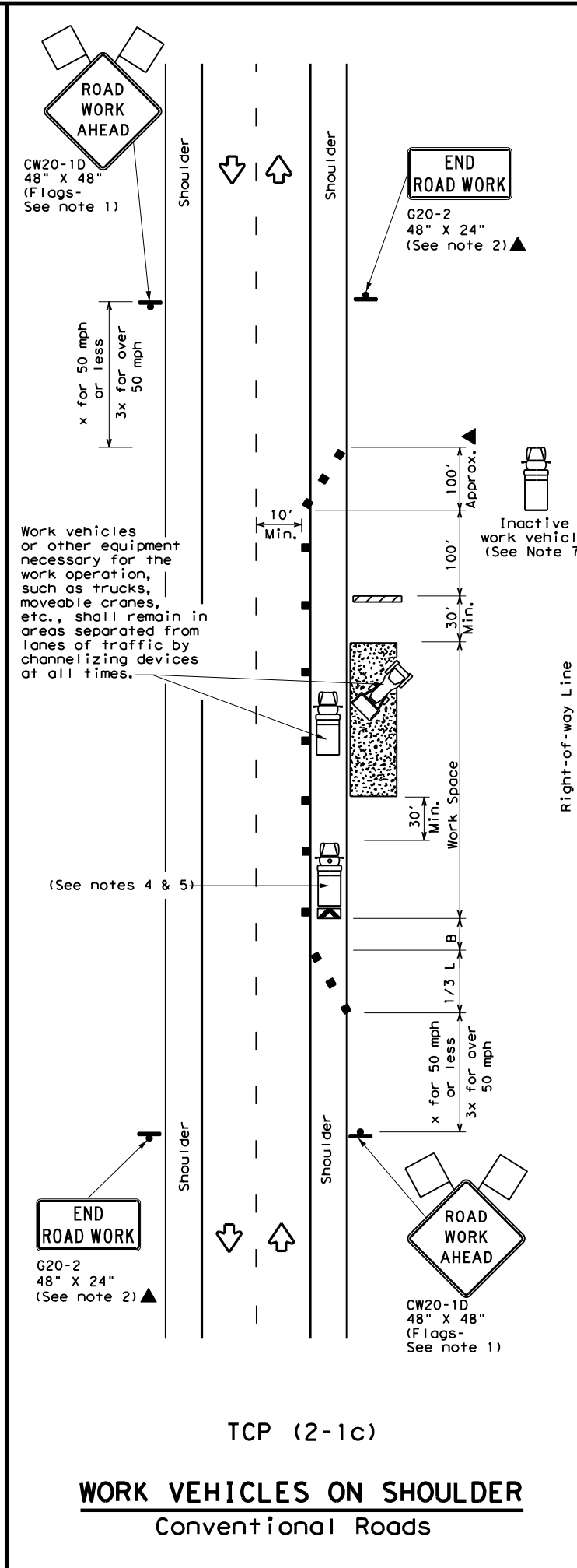
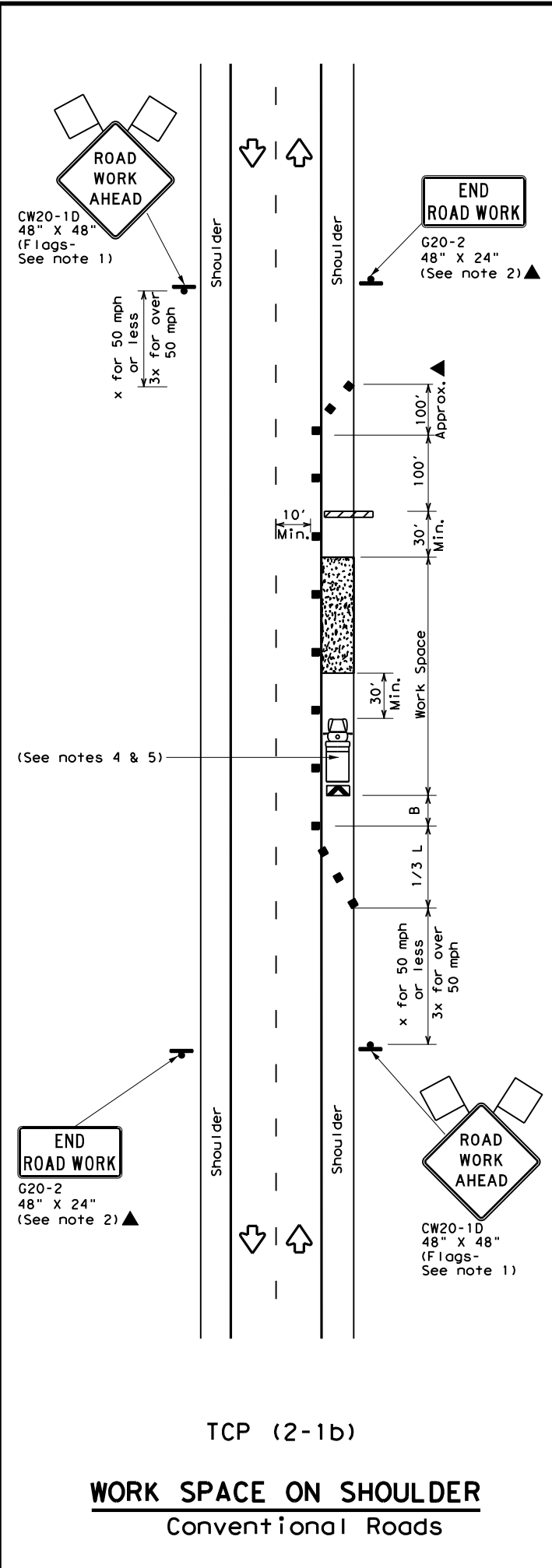
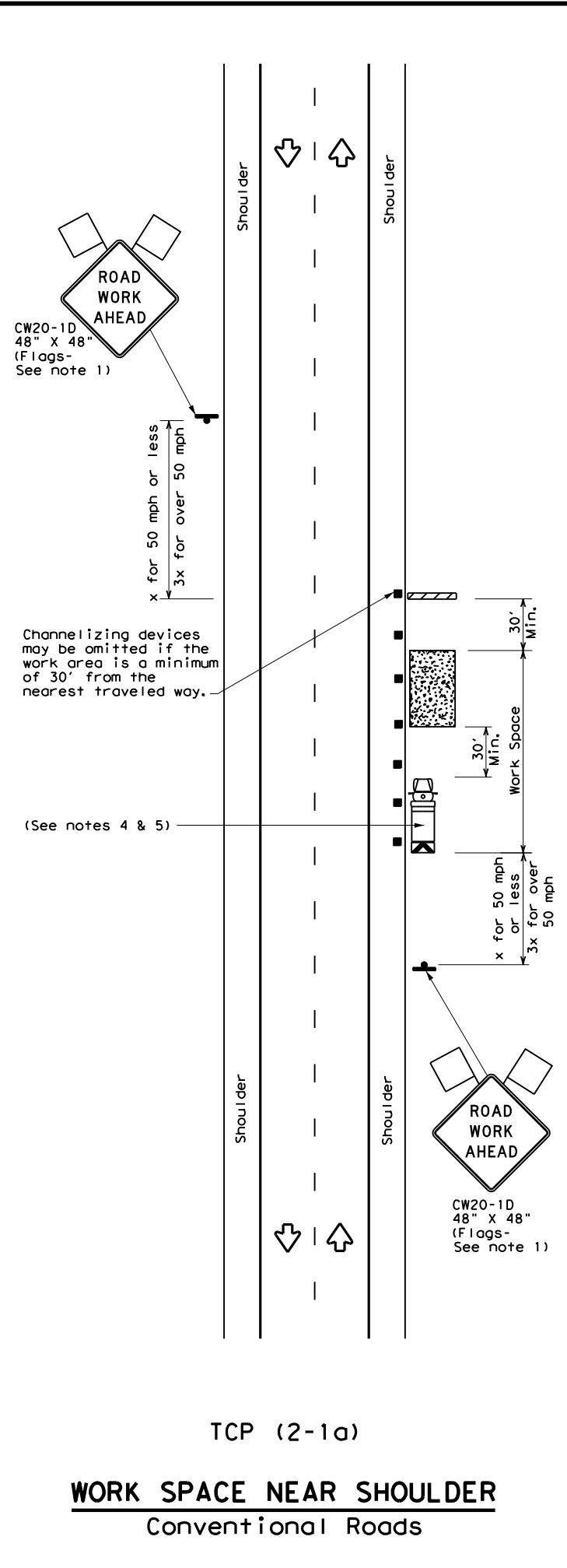
- If this TCP is used for a left lane closure, CW20-5TL "LEFT LANE CLOSED" signs shall be used and channelizing devices shall be placed on the centerline where needed to protect the work space from opposing traffic with the arrow panel placed in the closed lane near the end of the merging taper.

TCP (1-4b)

- Where traffic is directed over a yellow centerline, channelizing devices which separate two-way traffic should be spaced on tapers at 20' or 15' if posted speeds are 35 mph or slower, and for tangent sections, at 1/2S where S is the speed in mph. This tighter device spacing is intended for the areas of conflicting markings, not the entire work zone.

		Traffic Operations Division Standard	
TRAFFIC CONTROL PLAN LANE CLOSURES ON MULTILANE CONVENTIONAL ROADS			
TCP (1-4) - 18			
FILE:	tcp1-4-18.dgn	DN:	CK:
© TxDOT	December 1985	CONT	SECT
REVISIONS	0915 00	JOB	HIGHWAY
2-94 4-98		253	VARIOUS
8-95 2-12		DIST	COUNTY
1-97 2-18		SAT	BEXAR
			SHEET NO.
			9

DATE: 10/17/2022 1:54:39 PM
 FILE: I:\Traffic\Design\District_P&E_Tracking\Plan_Review\Bexar\0915-00-255 ID: 188118.dgn
 The use of this standard is governed by the "Texas Engineering Practice Act". No warranty of any kind is made by TxDOT for any purpose whatsoever. TxDOT assumes no responsibility for the conversion of units or the use of this standard in any other manner. The user of this standard is advised to consult the current edition of the Texas Engineering Practice Act and the Texas Engineering Practice Act Rules and Regulations.



LEGEND			
	Type 3 Barricade		Channelizing Devices
	Heavy Work Vehicle		Truck Mounted Attenuator (TMA)
	Trailer Mounted Flashing Arrow Board		Portable Changeable Message Sign (PCMS)
	Sign		Traffic Flow
	Flag		Flagger

Posted Speed *	Formula	Minimum Desirable Taper Lengths **			Suggested Maximum Spacing of Channelizing Devices		Minimum Sign Spacing "X" Distance	Suggested Longitudinal Buffer Space "B"
		10' Offset	11' Offset	12' Offset	On a Taper	On a Tangent		
30	$L = \frac{WS^2}{60}$	150'	165'	180'	30'	60'	120'	90'
35		205'	225'	245'	35'	70'	160'	120'
40		265'	295'	320'	40'	80'	240'	155'
45	L = WS	450'	495'	540'	45'	90'	320'	195'
50		500'	550'	600'	50'	100'	400'	240'
55		550'	605'	660'	55'	110'	500'	295'
60		600'	660'	720'	60'	120'	600'	350'
65		650'	715'	780'	65'	130'	700'	410'
70		700'	770'	840'	70'	140'	800'	475'
75		750'	825'	900'	75'	150'	900'	540'

* Conventional Roads Only
 ** Taper lengths have been rounded off.
 L=Length of Taper (FT) W=Width of Offset (FT) S=Posted Speed (MPH)

TYPICAL USAGE				
MOBILE	SHORT DURATION	SHORT TERM STATIONARY	INTERMEDIATE TERM STATIONARY	LONG TERM STATIONARY
	✓	✓	✓	✓

- GENERAL NOTES**
- Flags attached to signs where shown, are REQUIRED.
 - All traffic control devices illustrated are REQUIRED, except those denoted with the triangle symbol may be omitted when stated in the plans, or for routine maintenance work, when approved by the Engineer.
 - Stockpiled material should be placed a minimum of 30 feet from nearest traveled way.
 - Shadow Vehicle with TMA and high intensity rotating, flashing, oscillating or strobe lights. A Shadow Vehicle with a TMA should be used anytime it can be positioned 30 to 100 feet in advance of the area of crew exposure without adversely affecting the performance or quality of the work. If workers are no longer present but road or work conditions require the traffic control to remain in place, Type 3 Barricades or other channelizing devices may be substituted for the Shadow Vehicle and TMA.
 - Additional Shadow Vehicles with TMAs may be positioned off the paved surface, next to those shown in order to protect a wider work space.
 - See TCP(5-1) for shoulder work on divided highways, expressways and freeways.
 - Additional work vehicles or other equipment should be parked near the right-of-way line and not parked on the paved shoulder.
 - CW21-5 "SHOULDER WORK" signs may be used in place of CW20-1D "ROAD WORK AHEAD" signs for shoulder work on conventional roadways.

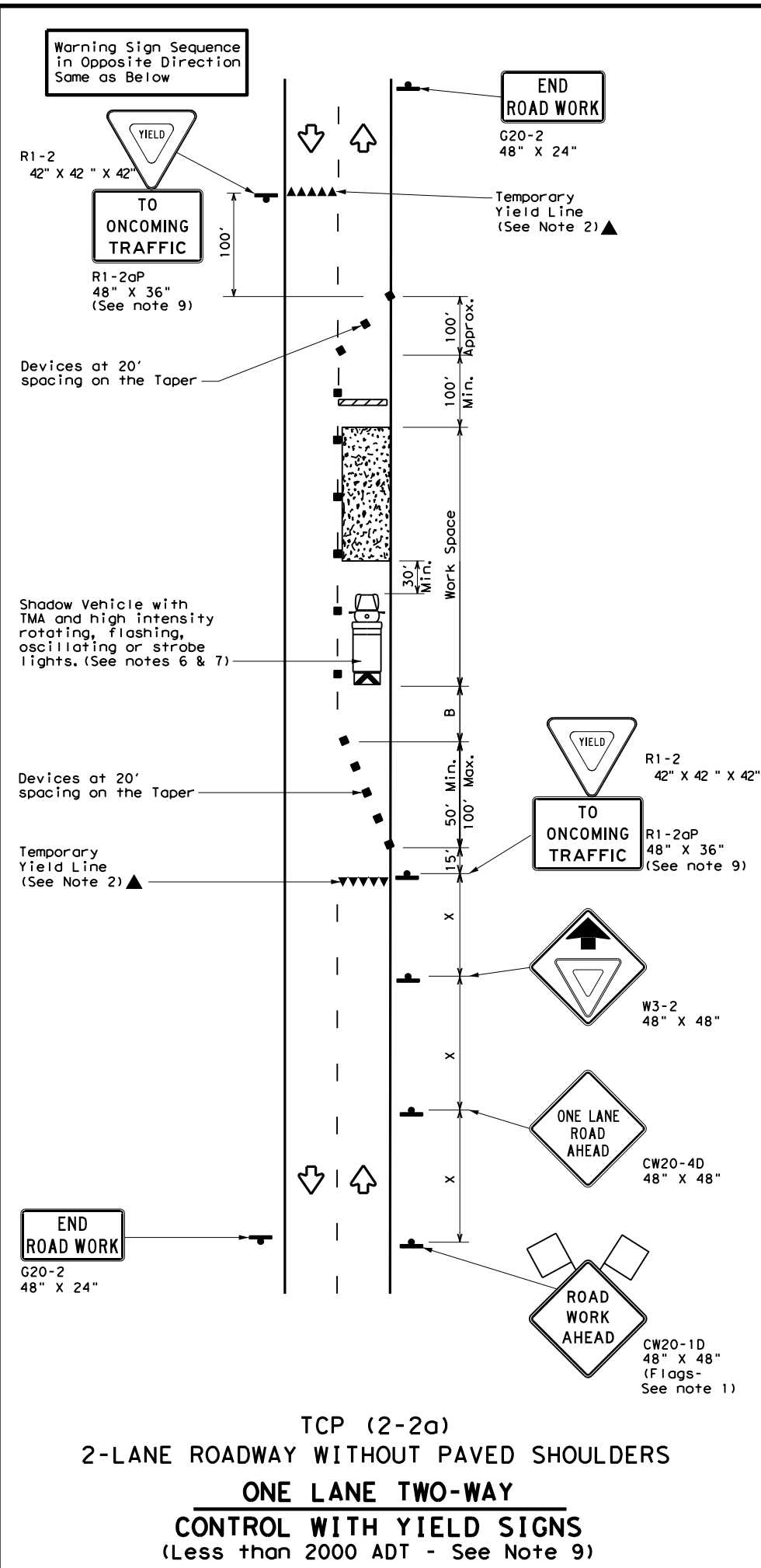
Texas Department of Transportation
 Traffic Operations Division Standard

TRAFFIC CONTROL PLAN
CONVENTIONAL ROAD
SHOULDER WORK

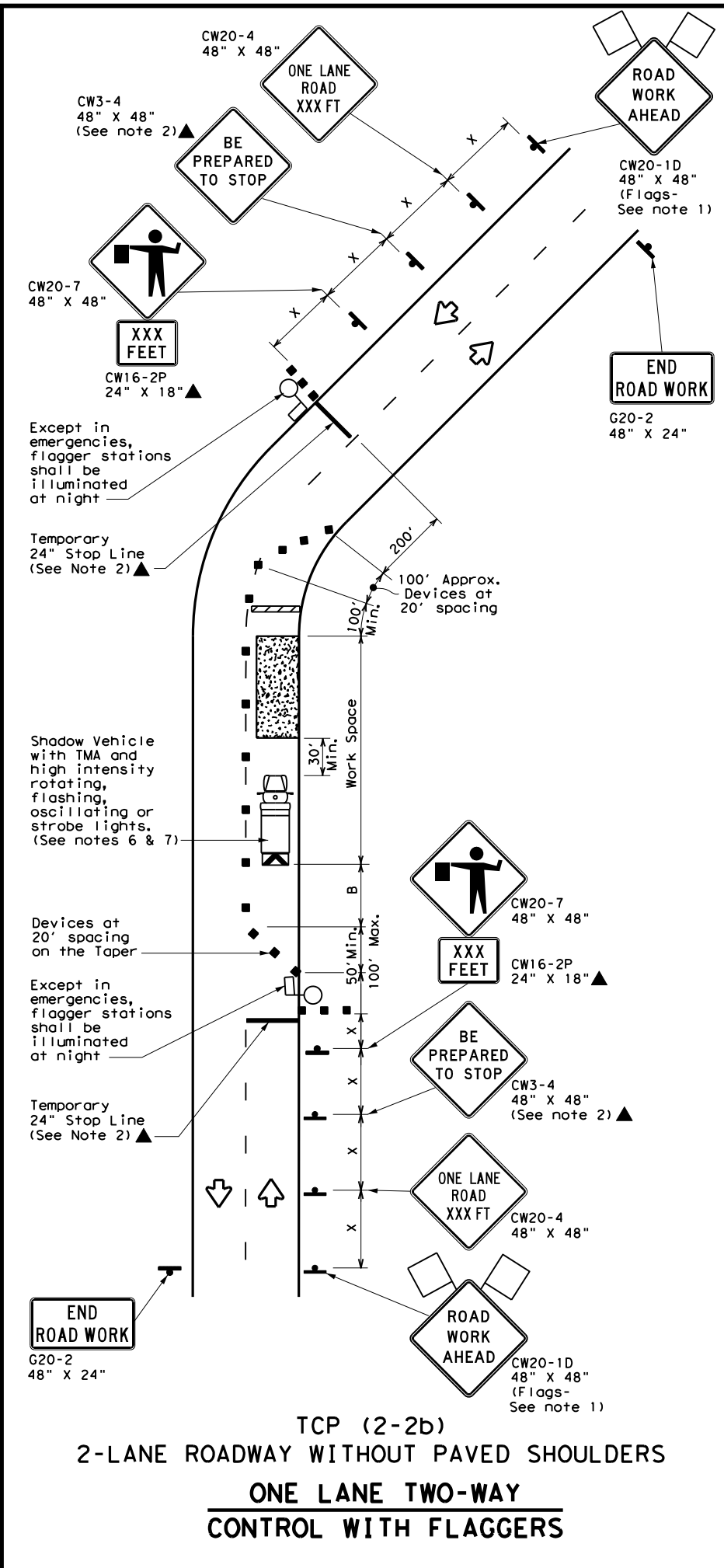
TCP (2-1) - 18

FILE: tcp2-1-18.dgn	DN:	CK:	DW:	CK:
© TxDOT December 1985	CONT	SECT	JOB	HIGHWAY
REVISIONS	0915 00	253	VARIOUS	
2-94 4-98				
8-95 2-12				
1-97 2-18	SAT	BEXAR		SHEET NO. 10

DISCLAIMER: The use of this standard is governed by the "Texas Engineering Practice Act". No warranty of any kind is made by TxDOT for any purpose whatsoever. TxDOT assumes no responsibility for the conversion of units or the use of this standard in any other manner. The user of this standard is advised to consult the current edition of the Texas Engineering Practice Act, T.C. 1301.001, for the most current information. TxDOT assumes no responsibility for the conversion of units or the use of this standard in any other manner. The user of this standard is advised to consult the current edition of the Texas Engineering Practice Act, T.C. 1301.001, for the most current information.



TCP (2-2a)
 2-LANE ROADWAY WITHOUT PAVED SHOULDERS
 ONE LANE TWO-WAY
 CONTROL WITH YIELD SIGNS
 (Less than 2000 ADT - See Note 9)



TCP (2-2b)
 2-LANE ROADWAY WITHOUT PAVED SHOULDERS
 ONE LANE TWO-WAY
 CONTROL WITH FLAGGERS

LEGEND			
	Type 3 Barricade		Channelizing Devices
	Heavy Work Vehicle		Truck Mounted Attenuator (TMA)
	Trailer Mounted Flashing Arrow Board		Portable Changeable Message Sign (PCMS)
	Sign		Traffic Flow
	Flag		Flagger

Posted Speed *	Formula	Minimum Desirable Taper Lengths **			Suggested Maximum Spacing of Channelizing Devices		Minimum Sign Spacing "x" Distance	Suggested Longitudinal Buffer Space "B"	Stopping Sight Distance
		10' Offset	11' Offset	12' Offset	On a Taper	On a Tangent			
30	L = WS ² / 60	150'	165'	180'	30'	60'	120'	90'	200'
35		205'	225'	245'	35'	70'	160'	120'	250'
40		265'	295'	320'	40'	80'	240'	155'	305'
45	L = WS	450'	495'	540'	45'	90'	320'	195'	360'
50		500'	550'	600'	50'	100'	400'	240'	425'
55		550'	605'	660'	55'	110'	500'	295'	495'
60		600'	660'	720'	60'	120'	600'	350'	570'
65		650'	715'	780'	65'	130'	700'	410'	645'
70		700'	770'	840'	70'	140'	800'	475'	730'
75		750'	825'	900'	75'	150'	900'	540'	820'

* Conventional Roads Only
 ** Taper lengths have been rounded off.
 L=Length of Taper (FT) W=Width of Offset (FT) S=Posted Speed (MPH)

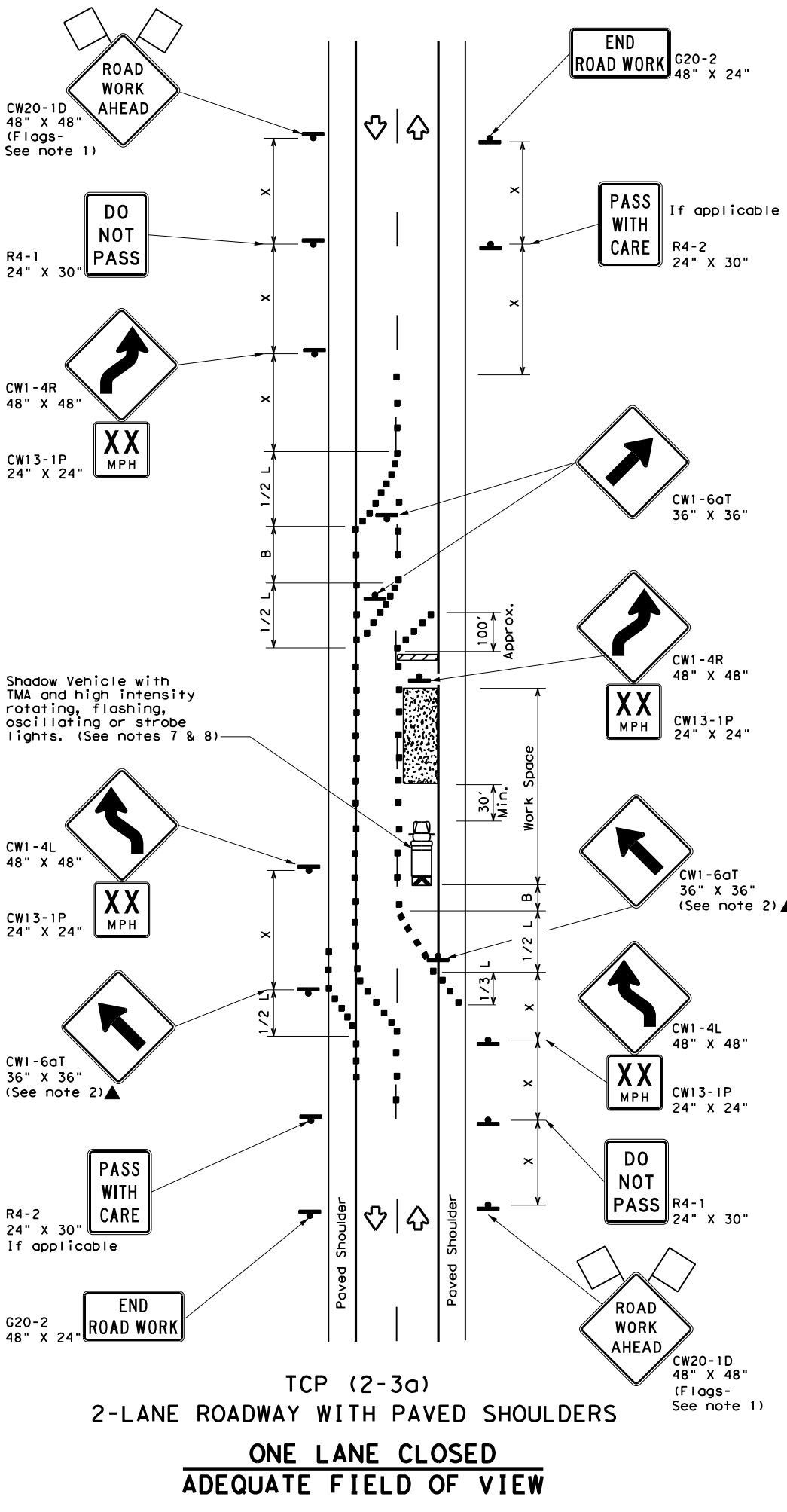
TYPICAL USAGE				
MOBILE	SHORT DURATION	SHORT TERM STATIONARY	INTERMEDIATE TERM STATIONARY	LONG TERM STATIONARY
	✓	✓	✓	

GENERAL NOTES

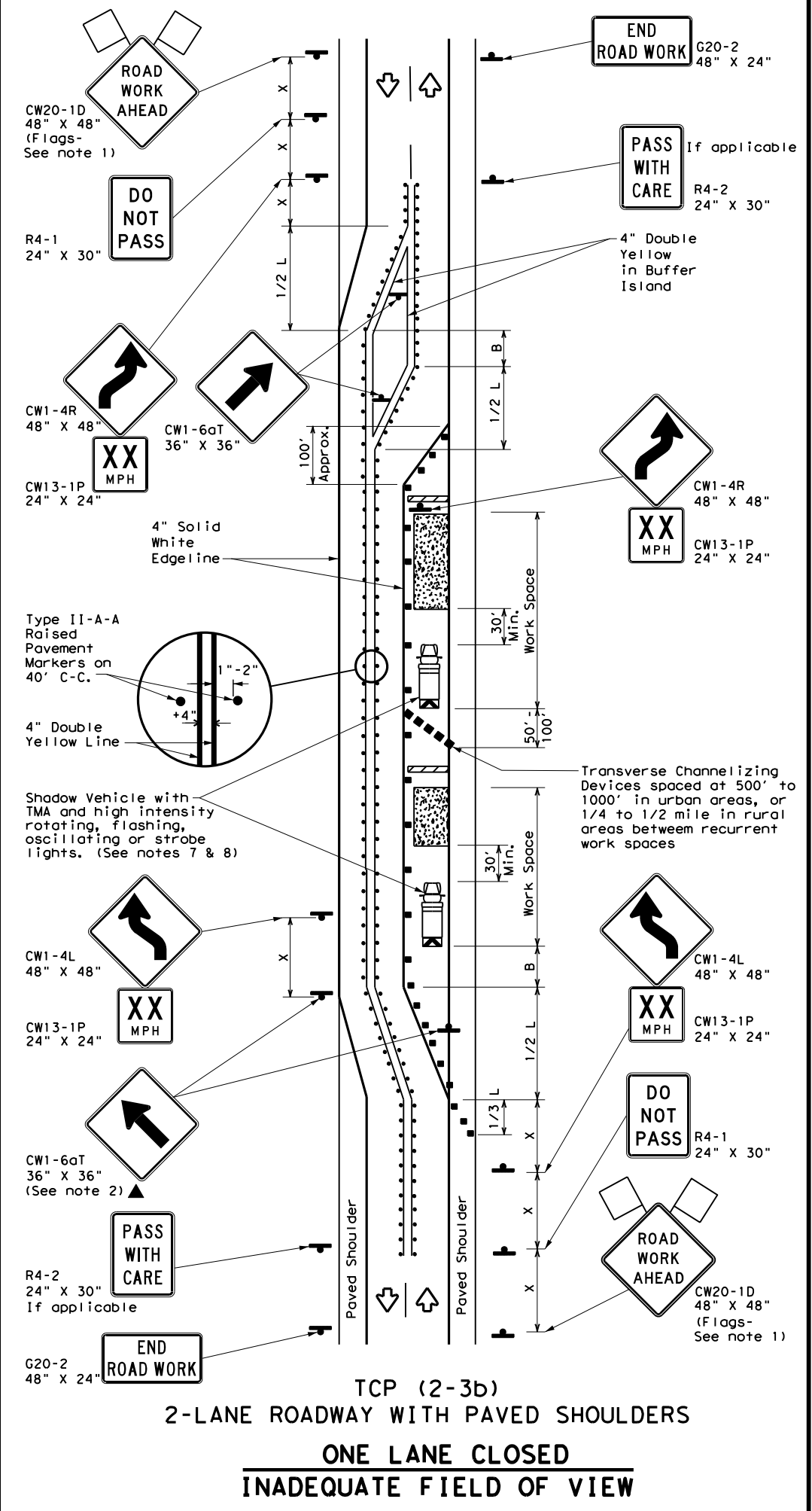
- Flags attached to signs where shown, are REQUIRED.
 - All traffic control devices illustrated are REQUIRED, except those denoted with the triangle symbol may be omitted when stated elsewhere in the plans, or for routine maintenance work, when approved by the Engineer.
 - The CW3-4 "BE PREPARED TO STOP" sign may be installed after the CW20-4 "ONE LANE ROAD XXX FT" sign, but proper sign spacing shall be maintained.
 - Flaggers should use two-way radios or other methods of communication to control traffic.
 - Length of work space should be based on the ability of flaggers to communicate.
 - A Shadow Vehicle with a TMA should be used anytime it can be positioned 30 to 100 feet in advance of the area of crew exposure without adversely affecting the performance or quality of the work. If workers are no longer present but road or work conditions require the traffic control to remain in place, Type 3 Barricades or other channelizing devices may be substituted for the Shadow Vehicle and TMA.
 - Additional Shadow Vehicles with TMAs may be positioned off the paved surface, next to those shown in order to protect a wider work space.
- TCP (2-2a)
- The R1-2 "YIELD" sign traffic control may be used on projects with approaches that have adequate sight distance. For projects in urban areas, work space should be no longer than one half city block. In rural areas, roadways with less than 2000 ADT, work space should be no longer than 400 feet.
 - The R1-2aP "YIELD TO ONCOMING TRAFFIC" sign shall be placed on a support at a 7 foot minimum mounting height.
- TCP (2-2b)
- Channelizing devices on the center line may be omitted when a pilot car is leading traffic and approved by the Engineer.
 - If the work space is located near a horizontal or vertical curve, the buffer distances should be increased in order to maintain stopping sight distance to the flagger and a queue of stopped vehicles. (See table above).
 - Flaggers should use 24" STOP/SLOW paddles to control traffic. Flags should be limited to emergency situations.

		Traffic Operations Division Standard	
TRAFFIC CONTROL PLAN ONE-LANE TWO-WAY TRAFFIC CONTROL			
TCP (2-2) - 18			
FILE:	tcp2-2-18.dgn	DN:	CK:
© TxDOT	REVISIONS	CON:	SECT:
8-95	3-03	0915	00
1-97	2-12		
4-98	2-18		
		JOB	HIGHWAY
		253	VARIOUS
		DIST	COUNTY
		SAT	BEXAR
			SHEET NO.
			11

DATE: 10/17/2022 1:54:40 PM
 FILE: I:\Traffic\Design\District PS&E Tracking\Plan_Review\Bexar\0915-00-255 ID: 117707061\0915-00-255-01.dgn
 DISCLAIMER: The use of this standard is governed by the "Texas Engineering Practice Act". No warranty of any kind is made by TxDOT for any purpose whatsoever. TxDOT assumes no responsibility for the conversion of this standard into other formats, including electronic formats, or for the use of this standard in any other manner.



TCP (2-3a)
2-LANE ROADWAY WITH PAVED SHOULDERS
ONE LANE CLOSED
ADEQUATE FIELD OF VIEW



TCP (2-3b)
2-LANE ROADWAY WITH PAVED SHOULDERS
ONE LANE CLOSED
INADEQUATE FIELD OF VIEW

LEGEND			
	Type 3 Barricade		Channelizing Devices
	Heavy Work Vehicle		Truck Mounted Attenuator (TMA)
	Trailer Mounted Flashing Arrow Board		Raised Pavement Markers Ty II-AA
	Sign		Traffic Flow
	Flag		Flagger

Posted Speed * X	Formula L = WS ² /60	Minimum Desirable Taper Lengths **			Suggested Maximum Spacing of Channelizing Devices		Minimum Sign Spacing "X" Distance	Suggested Longitudinal Buffer Space "B"
		10' Offset	11' Offset	12' Offset	On a Taper	On a Tangent		
30		150'	165'	180'	30'	120'	90'	
35		205'	225'	245'	35'	160'	120'	
40		265'	295'	320'	40'	240'	155'	
45		450'	495'	540'	45'	320'	195'	
50		500'	550'	600'	50'	400'	240'	
55		550'	605'	660'	55'	500'	295'	
60		600'	660'	720'	60'	600'	350'	
65		650'	715'	780'	65'	700'	410'	
70		700'	770'	840'	70'	800'	475'	
75		750'	825'	900'	75'	900'	540'	

* Conventional Roads Only
 ** Taper lengths have been rounded off.
 L=Length of Taper (FT) W=Width of Offset (FT) S=Posted Speed (MPH)

TYPICAL USAGE				
MOBILE	SHORT DURATION	SHORT TERM STATIONARY	INTERMEDIATE TERM STATIONARY	LONG TERM STATIONARY
			✓	✓
				TCP (2-3b) ONLY

- GENERAL NOTES**
- Flags attached to signs where shown, are REQUIRED.
 - All traffic control devices illustrated are REQUIRED, except those denoted with the triangle symbol may be omitted when stated elsewhere in the plans, or for routine maintenance work, when approved by the Engineer.
 - When work space will be in place less than three days existing pavement markings may remain in place. Channelizing devices shall be used to separate traffic.
 - Flagger control should NOT be used unless roadway conditions or heavy traffic volume require additional emphasis to safely control traffic. Flagger should be positioned at end of traffic queue.
 - The R4-1 "DO NOT PASS," R4-2 "PASS WITH CARE" and construction regulatory speed zone signs may be installed within CW20-1D "ROAD WORK AHEAD" signs. Proper spacing of signs shall be maintained.
 - Conflicting pavement marking shall be removed for long term projects.
 - A Shadow Vehicle with a TMA should be used anytime it can be positioned 30 to 100 feet in advance of the area of crew exposure without adversely affecting the performance or quality of the work. If workers are no longer present but road or work conditions require the traffic control to remain in place, Type 3 Barricades or other channelizing devices may be substituted.
 - Additional Shadow Vehicles with TMAs may be positioned off the paved surface, next to those shown in order to protect a wider work space.
- TCP (2-3a)**
- Conflicting pavement markings shall be removed for long-term projects. For shorter durations where traffic is directed over a yellow centerline, channelizing devices which separate two-way traffic should be spaced on tapers at 20' or 15' if posted speeds are 35 mph or slower, and for tangent sections, at 1/2(S) where S is the speed in mph. This tighter device spacing is intended for the area of the conflicting markings, not the entire work zone.

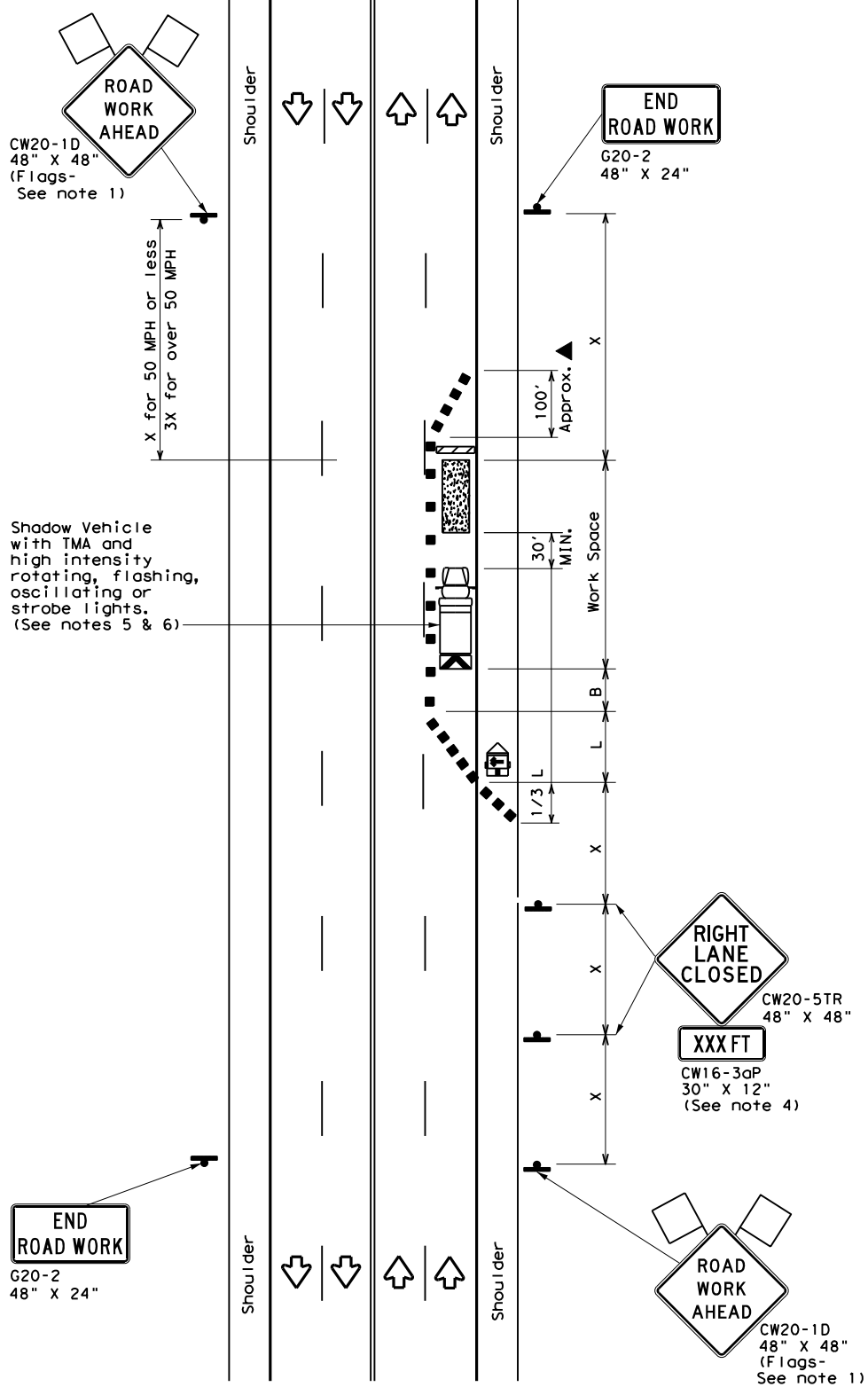
Traffic Operations Division Standard

TRAFFIC CONTROL PLAN TRAFFIC SHIFTS ON TWO-LANE ROADS

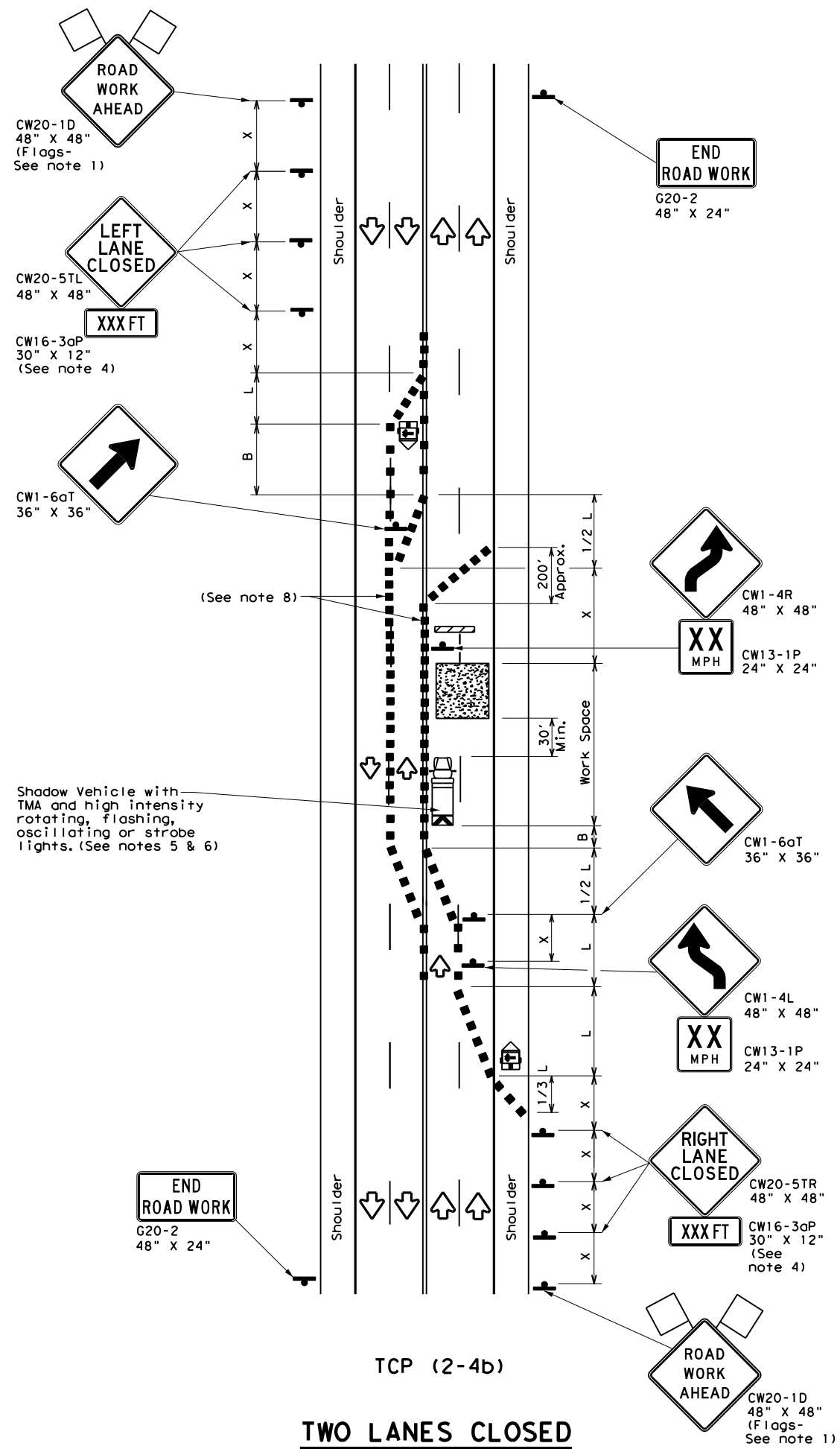
TCP (2-3) - 18

FILE:	tcp (2-3) -18.dgn	DN:	CK:	DW:	CK:
© TxDOT	December 1985	CON:	SECT:	JOB:	HIGHWAY:
REVISIONS		0915	00	253	VARIOUS
8-95	3-03	DIST:	COUNTY:	SHEET NO.	
1-97	2-12	SAT	BEXAR	12	
4-98	2-18				

DATE: 10/17/2022 1:54:41 PM
 FILE: I:\Traffic\Design\District PS&E Tracking\Plan_Review\Bexar\0915-00-255\1D1818.dgn
 The use of this standard is governed by the "Texas Engineering Practice Act". No warranty of any kind is made by TxDOT for any purpose whatsoever. TxDOT assumes no responsibility for the conversion of this drawing to a different format or for the use of this drawing in any other project.



TCP (2-4a)
ONE LANE CLOSED



TCP (2-4b)
TWO LANES CLOSED

LEGEND			
	Type 3 Barricade		Channelizing Devices
	Heavy Work Vehicle		Truck Mounted Attenuator (TMA)
	Trailer Mounted Flashing Arrow Board		Portable Changeable Message Sign (PCMS)
	Sign		Traffic Flow
	Flag		Flagger

Posted Speed *	Formula	Minimum Desirable Taper Lengths **			Suggested Maximum Spacing of Channelizing Devices		Minimum Sign Spacing "x" Distance	Suggested Longitudinal Buffer Space "B"
		10' Offset	11' Offset	12' Offset	On a Taper	On a Tangent		
30	L = WS ² / 60	150'	165'	180'	30'	60'	120'	90'
35		205'	225'	245'	35'	70'	160'	120'
40		265'	295'	320'	40'	80'	240'	155'
45	L = WS	450'	495'	540'	45'	90'	320'	195'
50		500'	550'	600'	50'	100'	400'	240'
55		550'	605'	660'	55'	110'	500'	295'
60		600'	660'	720'	60'	120'	600'	350'
65		650'	715'	780'	65'	130'	700'	410'
70		700'	770'	840'	70'	140'	800'	475'
75		750'	825'	900'	75'	150'	900'	540'

* Conventional Roads Only
 ** Taper lengths have been rounded off.
 L=Length of Taper (FT) W=Width of Offset (FT) S=Posted Speed (MPH)

TYPICAL USAGE				
MOBILE	SHORT DURATION	SHORT TERM STATIONARY	INTERMEDIATE TERM STATIONARY	LONG TERM STATIONARY
		✓	✓	

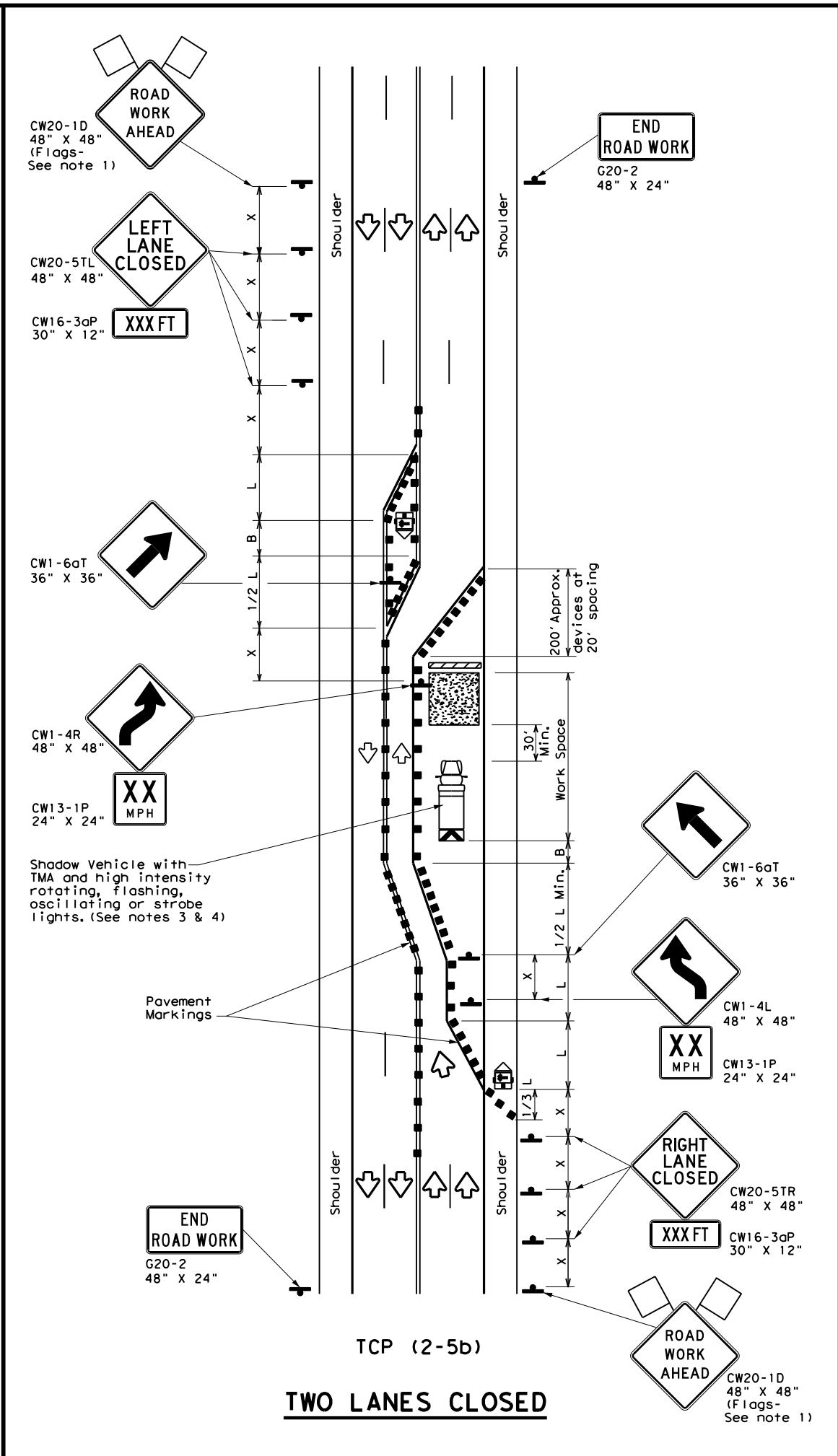
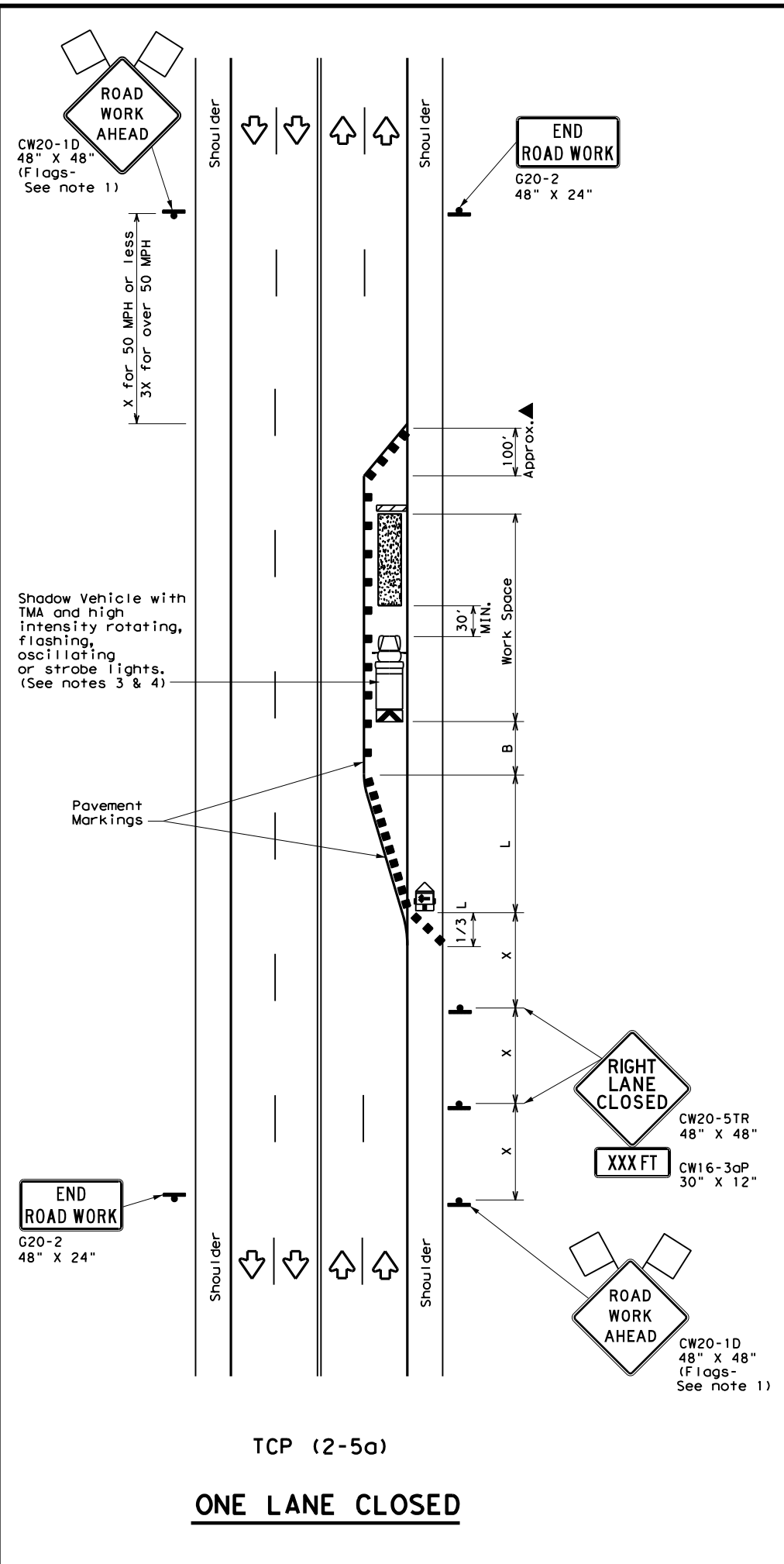
- GENERAL NOTES**
- Flags attached to signs where shown, are REQUIRED.
 - All traffic control devices illustrated are REQUIRED, except those denoted with the triangle symbol may be omitted when stated elsewhere in the plans, or for routine maintenance work, when approved by the Engineer.
 - The downstream taper is optional. When used, it should be 100 feet minimum length per lane.
 - For short term applications, when post mounted signs are not used, the distance legend may be shown on the sign face rather than on a CW16-3aP supplemental plaque.
 - A Shadow Vehicle with a TMA should be used anytime it can be positioned 30 to 100 feet in advance of the area of crew exposure without adversely affecting the performance or quality of the work. If workers are no longer present but road or work conditions require the traffic control to remain in place, Type 3 Barricades or other channelizing devices may be substituted for the Shadow Vehicle and TMA.
 - Additional Shadow Vehicles with TMAs may be positioned in each closed lane, on the shoulder or off the paved surface, next to those shown in order to protect a wider work space.
- TCP (2-4a)**
- If this TCP is used for a left lane closure, CW20-5TL "LEFT LANE CLOSED" signs shall be used and channelizing devices shall be placed on the centerline to protect the work space from opposing traffic with the arrow board placed in the closed lane near the end of the merging taper.
- TCP (2-4b)**
- For shorter durations where traffic is directed over a yellow centerline, channelizing devices which separate two-way traffic should be spaced on tapers at 20' or 15' if posted speeds are 35 mph or slower, and for tangent sections, at 1/2(S) where S is the speed in mph. This tighter devices spacing is intended for the area of conflicting markings, not the entire work zone.

		Traffic Operations Division Standard	
TRAFFIC CONTROL PLAN LANE CLOSURES ON MULTILANE CONVENTIONAL ROADS			
TCP (2-4) - 18			
FILE:	tcp2-4-18.dgn	DWG:	CK:
© TxDOT	December 1985	CONT	SECT
REVISIONS	0915 00	JOB	253
8-95 3-03		COUNTY	BEXAR
1-97 2-12		SHEET NO.	13
4-98 2-18			

DISCLAIMER:

The use of this standard is governed by the "Texas Engineering Practice Act". No warranty of any kind is made by TxDOT for any purpose whatsoever. TxDOT assumes no responsibility for the conversion of units or the accuracy of the information presented in this plan. The user of this standard is responsible for the accuracy of the information presented in this plan.

DATE: 10/17/2022 1:54:41 PM
 FILE: I:\Traffic\Design\District PS&E Tracking\Plan_Review\Bexar\0915-00-255\1015-18.dgn



LEGEND			
	Type 3 Barricade		Channelizing Devices
	Heavy Work Vehicle		Truck Mounted Attenuator (TMA)
	Trailer Mounted Flashing Arrow Board		Portable Changeable Message Sign (PCMS)
	Sign		Traffic Flow
	Flag		Flagger

Posted Speed *	Formula	Minimum Desirable Taper Lengths X X			Suggested Maximum Spacing of Channelizing Devices		Minimum Sign Spacing "X" Distance	Suggested Longitudinal Buffer Space "B"
		10' Offset	11' Offset	12' Offset	On a Taper	On a Tangent		
30	L = WS ² / 60	150'	165'	180'	30'	60'	120'	90'
35		205'	225'	245'	35'	70'	160'	120'
40		265'	295'	320'	40'	80'	240'	155'
45	L = WS	450'	495'	540'	45'	90'	320'	195'
50		500'	550'	600'	50'	100'	400'	240'
55		550'	605'	660'	55'	110'	500'	295'
60		600'	660'	720'	60'	120'	600'	350'
65		650'	715'	780'	65'	130'	700'	410'
70		700'	770'	840'	70'	140'	800'	475'
75		750'	825'	900'	75'	150'	900'	540'

* Conventional Roads Only
 ** Taper lengths have been rounded off.
 L=Length of Taper (FT) W=Width of Offset (FT) S=Posted Speed (MPH)

TYPICAL USAGE				
MOBILE	SHORT DURATION	SHORT TERM STATIONARY	INTERMEDIATE TERM STATIONARY	LONG TERM STATIONARY
			✓	✓

- GENERAL NOTES**
- Flags attached to signs where shown, are REQUIRED.
 - All traffic control devices illustrated are REQUIRED, except those denoted with the triangle symbol may be omitted when stated elsewhere in the plans, or for routine maintenance work, when approved by the Engineer.
 - A Shadow Vehicle with a TMA should be used anytime it can be positioned 30 to 100 feet in advance of the area of crew exposure without adversely affecting the performance or quality of the work. If workers are no longer present but road or work conditions require the traffic control to remain in place, Type 3 Barricades or other channelizing devices may be substituted for the Shadow Vehicle and TMA.
 - Additional Shadow Vehicles with TMAs may be positioned in each closed lane, on the shoulder or off the paved surface, next to those shown in order to protect a wider work space.
 - The downstream taper is optional. When used, it should be 100 feet approximately per lane, with channelizing devices spaced at 20 feet.
- TCP (2-5a)**
- If this TCP is used for a left lane closure, CW20-5TL "LEFT LANE CLOSED" signs shall be used and channelizing devices shall be placed on the centerline to protect the work space from opposing traffic, with the arrow board placed in the closed lane near the end of the merging taper.
- TCP (2-5b)**
- Conflicting pavement markings shall be removed for long-term projects.

Texas Department of Transportation
 Traffic Operations Division Standard

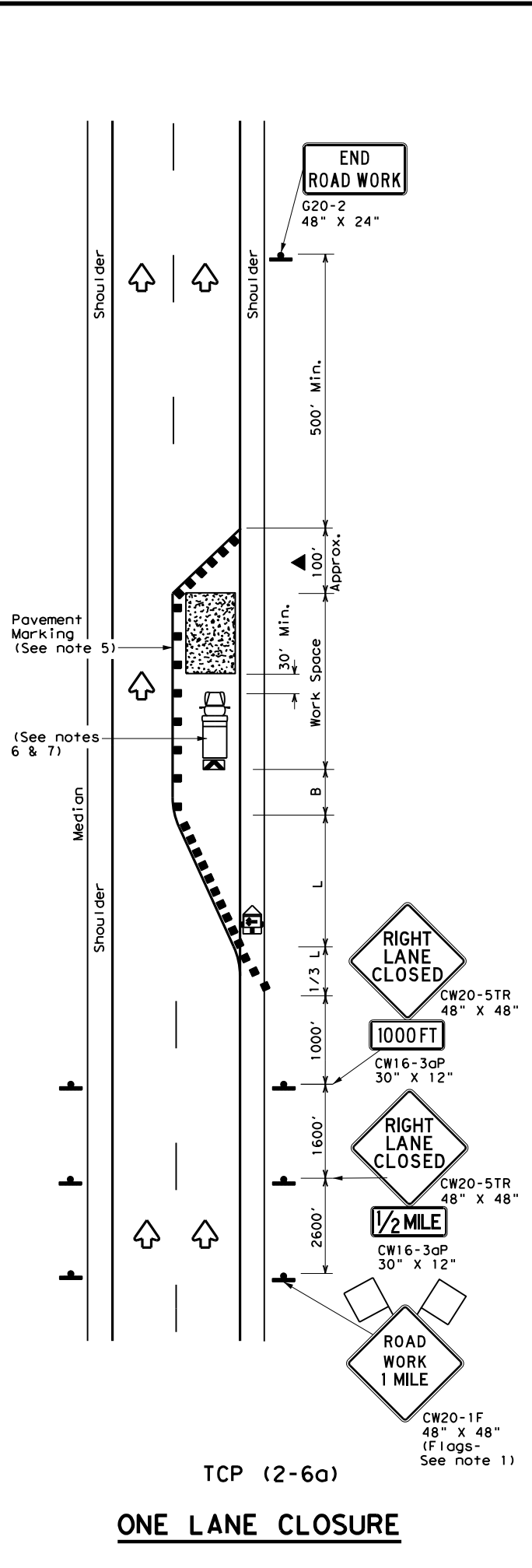
TRAFFIC CONTROL PLAN
LONG TERM LANE CLOSURES
MULTILANE CONVENTIONAL RDS.

TCP (2-5) - 18

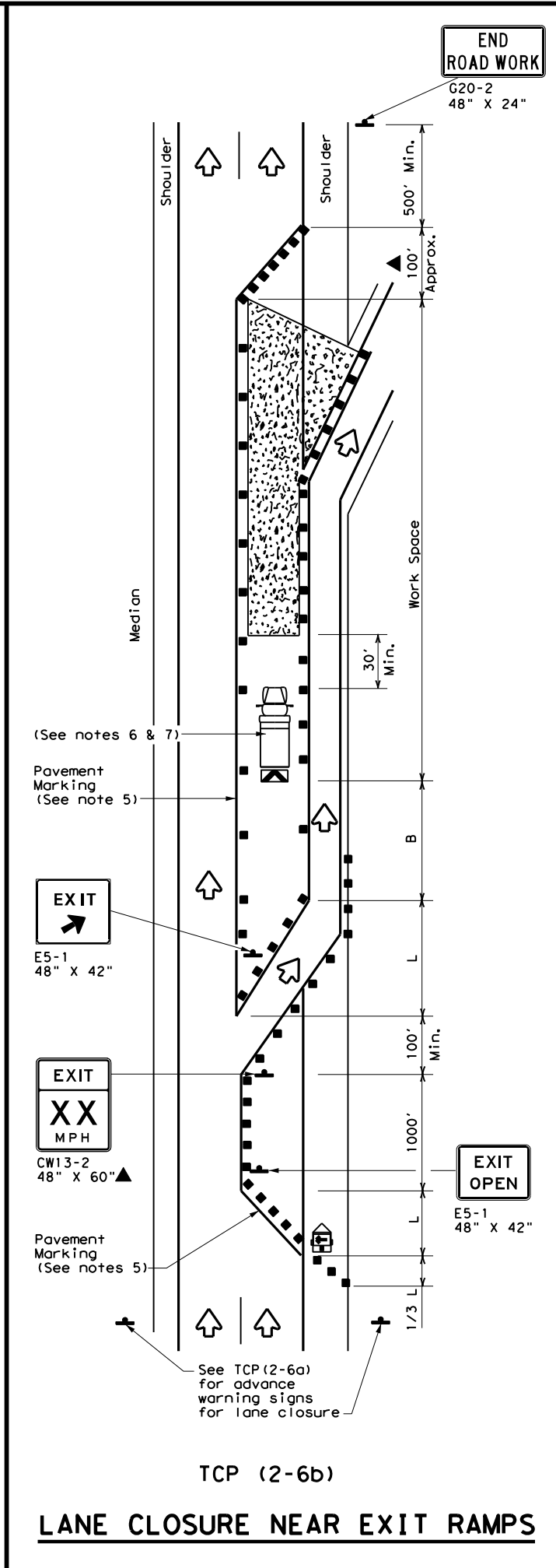
FILE: tcp2-5-18.dgn	DN:	CK:	DW:	CK:
© TxDOT December 1985	CONT	SECT	JOB	HIGHWAY
8-95 2-12 1-97 3-03 4-98 2-18	REVISIONS	0915 00	253	VARIOUS
	DIST	COUNTY	SHEET NO.	
	SAT	BEXAR	14	

165

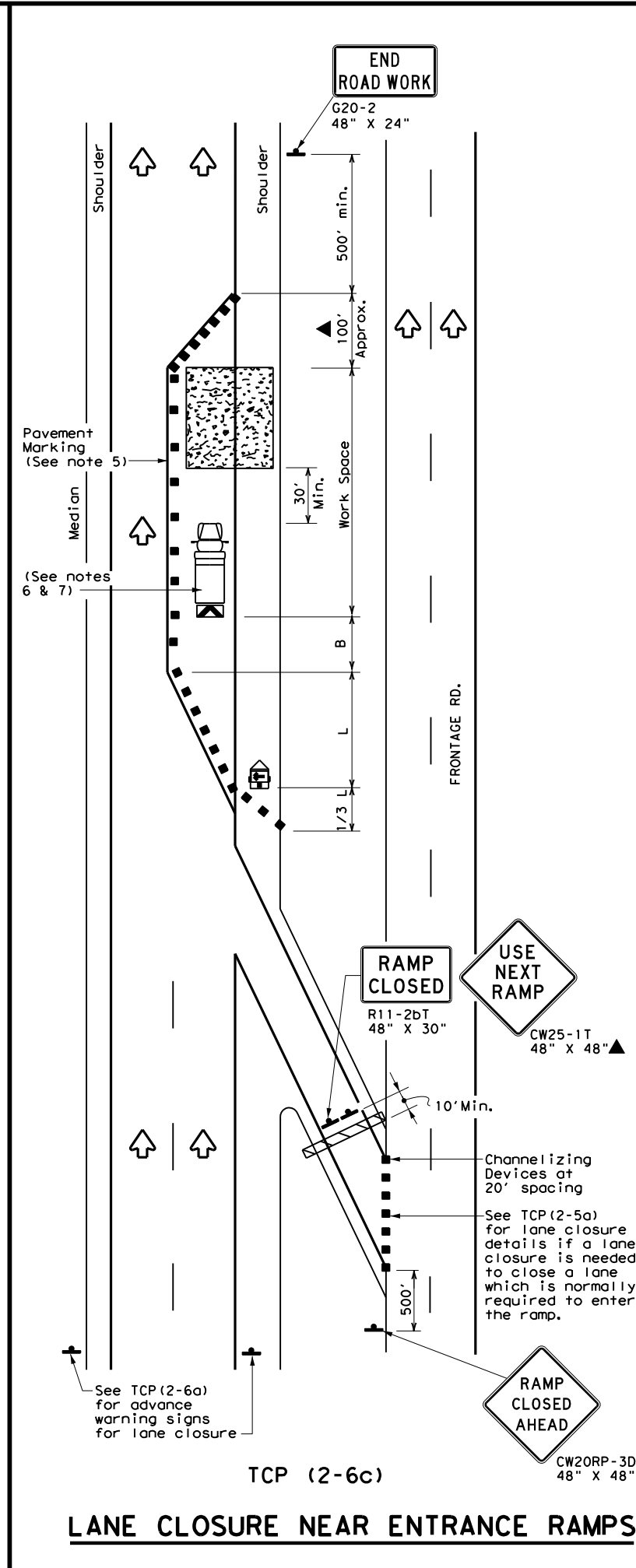
DATE: 10/17/2022 1:54:41 PM
 FILE: I:\Traffic\Design\District PS&E Tracking\Plan_Review\Bexar\0915-00-255_TrafficControl\TrafficControl.dgn
 The use of this standard is governed by the "Texas Engineering Practice Act". No warranty of any kind is made by TxDOT for any purpose whatsoever. TxDOT assumes no responsibility for the conversion of units or the accuracy of the information contained herein.



TCP (2-6a)
ONE LANE CLOSURE



TCP (2-6b)
LANE CLOSURE NEAR EXIT RAMP



TCP (2-6c)
LANE CLOSURE NEAR ENTRANCE RAMP

LEGEND			
	Type 3 Barricade		Channelizing Devices
	Heavy Work Vehicle		Truck Mounted Attenuator (TMA)
	Trailer Mounted Flashing Arrow Board		Portable Changeable Message Sign (PCMS)
	Sign		Traffic Flow
	Flag		Flagger

Posted Speed *	Formula	Minimum Desirable Taper Lengths **			Suggested Maximum Spacing of Channelizing Devices		Minimum Sign Spacing "X" Distance	Suggested Longitudinal Buffer Space "B"
		10' Offset	11' Offset	12' Offset	On a Taper	On a Tangent		
30	$L = \frac{WS^2}{60}$	150'	165'	180'	30'	60'	120'	90'
35		205'	225'	245'	35'	70'	160'	120'
40		265'	295'	320'	40'	80'	240'	155'
45	L = WS	450'	495'	540'	45'	90'	320'	195'
50		500'	550'	600'	50'	100'	400'	240'
55		550'	605'	660'	55'	110'	500'	295'
60		600'	660'	720'	60'	120'	600'	350'
65		650'	715'	780'	65'	130'	700'	410'
70		700'	770'	840'	70'	140'	800'	475'
75		750'	825'	900'	75'	150'	900'	540'

* Conventional Roads Only
 ** Taper lengths have been rounded off.
 L=Length of Taper (FT) W=Width of Offset (FT) S=Posted Speed (MPH)

TYPICAL USAGE				
MOBILE	SHORT DURATION	SHORT TERM STATIONARY	INTERMEDIATE TERM STATIONARY	LONG TERM STATIONARY
			✓	✓

- GENERAL NOTES**
- Flags attached to signs where shown, are REQUIRED.
 - All traffic control devices illustrated are REQUIRED, except those denoted with the triangle symbol may be omitted when stated elsewhere in the plans, or for routine maintenance work, when approved by the Engineer.
 - Channelizing devices used to close lanes may be supplemented with the Chevron Alignment Sign placed on every other channelizing device. Chevrons may be attached to plastic drums as per BC Standards.
 - Channelizing devices used along the work space or along tangent sections may be supplemented with vertical panels (VP) placed on every other channelizing device. If night time conditions make it difficult to see at least two VPs, the VPs may be placed on each channelizing device.
 - The placement of pavement markings may be omitted on intermediate-term stationary work zones with the approval of the Engineer.
 - Shadow Vehicle with TMA and high intensity rotating, flashing, oscillating or strobe lights. A Shadow Vehicle with a TMA should be used anytime it can be positioned 30 to 100 feet in advance of the area of crew exposure without adversely affecting the performance or quality of the work. If workers are no longer present but road or work conditions require the traffic control to remain in place, Type 3 Barricades or other channelizing devices may be substituted for the Shadow Vehicle and TMA.
 - Additional Shadow Vehicles with TMAs may be positioned in each closed lane, on the shoulder or off the paved surface, next to those shown in order to protect a wider work space.

Texas Department of Transportation
 Traffic Operations Division Standard

TRAFFIC CONTROL PLAN LANE CLOSURES ON DIVIDED HIGHWAYS

TCP (2-6) - 18

FILE: tcp2-6-18.dgn	DN:	CK:	DW:	CK:
© TxDOT December 1985	CONT	SECT	JOB	HIGHWAY
REVISIONS	0915	00	253	VARIOUS
2-94 4-98	DIST	COUNTY	SHEET NO.	
8-95 2-12	SAT	BEXAR	15	
1-97 2-18				

DATE: 10/17/2022 1:54:42 PM
 FILE: I:\Traffic\Design\District PS&E Tracking\Plan_Review\Bexar\0915-00-255 ID: 1881101.dgn
 No warranty of any kind is made by TxDOT for any purpose whatsoever. TxDOT assumes no responsibility for the conversion of this drawing to a format other than that in which it was originally created.

Traffic Control Devices shown for one direction

New pavement surface should extend to this point. (See note 2)

CW1-6 48" X 24" (See note 2) ▲

OM-3 Object Markers

4" Solid White Edgeline

Type II-A-A Raised Pavement Markers on 40' C-C.

4" Double Yellow Line

New pavement surface should extend to this point. (See note 5)

END ROAD WORK G20-2 48" X 24"

CW1-6 48" X 24" (See note 2) ▲

Warning Reflectors may be added on top of channelizing devices for additional conspicuity at night. Warning Reflectors, chevrons or steady-burn warning lights may be added if drums or longitudinal channelizing devices are used. (Both directions)

Barricades may be offset to permit workers and equipment to enter and exit work space.

CW1-4R 48" X 48"

XX MPH CW13-1P 24" X 24"

ROAD CLOSED R11-2 48" X 30"

CW1-6 48" X 24"

CW1-4L 48" X 48"

XX MPH CW13-1P 24" X 24" (See note 2) ▲

ROAD WORK XXX FT CW20-1A, B or C 48" X 48"

ROAD WORK AHEAD CW20-1D 48" X 48" (Flags - See note 1)

TCP (2-7a)

ROADWAY DIVERSION

Traffic Control Devices shown for one direction

END ROAD WORK G20-2 48" X 24"

PASS WITH CARE R4-2 24" X 30" If applicable

CTB with safety end treatment, or other barrier system as detailed elsewhere in the plans.

4" Solid White Edgeline

4" Double Yellow Line
 1"-2"
 Type II-A-A Raised Pavement Markers on 40' C-C.
 +4"

NARROW BRIDGE CW5-2 48" X 48" (See note 6)

DO NOT PASS R4-1 24" X 30"

ROAD WORK AHEAD CW20-1D 48" X 48" (Flags - See note 1)

TCP (2-7b)

BRIDGE WIDENING

LEGEND			
	Type 3 Barricade		Channelizing Devices
	Heavy Work Vehicle		Truck Mounted Attenuator (TMA)
	Trailer Mounted Flashing Arrow Board		Raised Pavement Markers Ty II-AA
	Sign		Traffic Flow
	Flag		Flagger

Posted Speed *	Formula	Minimum Desirable Taper Lengths **			Suggested Maximum Spacing of Channelizing Devices		Minimum Sign Spacing "X" Distance	Suggested Longitudinal Buffer Space "B"
		10' Offset	11' Offset	12' Offset	On a Taper	On a Tangent		
30	L = WS ² / 60	150'	165'	180'	30'	60'	120'	90'
35		205'	225'	245'	35'	70'	160'	120'
40		265'	295'	320'	40'	80'	240'	155'
45	L = WS	450'	495'	540'	45'	90'	320'	195'
50		500'	550'	600'	50'	100'	400'	240'
55		550'	605'	660'	55'	110'	500'	295'
60		600'	660'	720'	60'	120'	600'	350'
65		650'	715'	780'	65'	130'	700'	410'
70		700'	770'	840'	70'	140'	800'	475'
75		750'	825'	900'	75'	150'	900'	540'

* Conventional Roads Only
 ** Taper lengths have been rounded off.
 L=Length of Taper (FT) W=Width of Offset (FT) S=Posted Speed (MPH)

TYPICAL USAGE				
MOBILE	SHORT DURATION	SHORT TERM STATIONARY	INTERMEDIATE TERM STATIONARY	LONG TERM STATIONARY
			✓	✓

- GENERAL NOTES**
- Flags attached to signs where shown are REQUIRED.
 - All traffic control devices illustrated are REQUIRED, except those denoted with the triangle symbol may be omitted when stated elsewhere in the plans, or for routine maintenance work, when approved by the Engineer.

- TCP (2-7a)**
- Raised pavement markers shall be placed 40 feet c-c on centerline throughout project.
 - Roadway diversion design requirements should be based on posted speed limit or prevailing speed.
 - New pavement surface should be extended across existing roadway edge to a point where existing pavement markings left in place during project do not conflict with construction area pavement marking.

- TCP (2-7b)**
- The CW5-2 "Narrow Bridge" sign may be omitted if lane and shoulder widths are maintained.

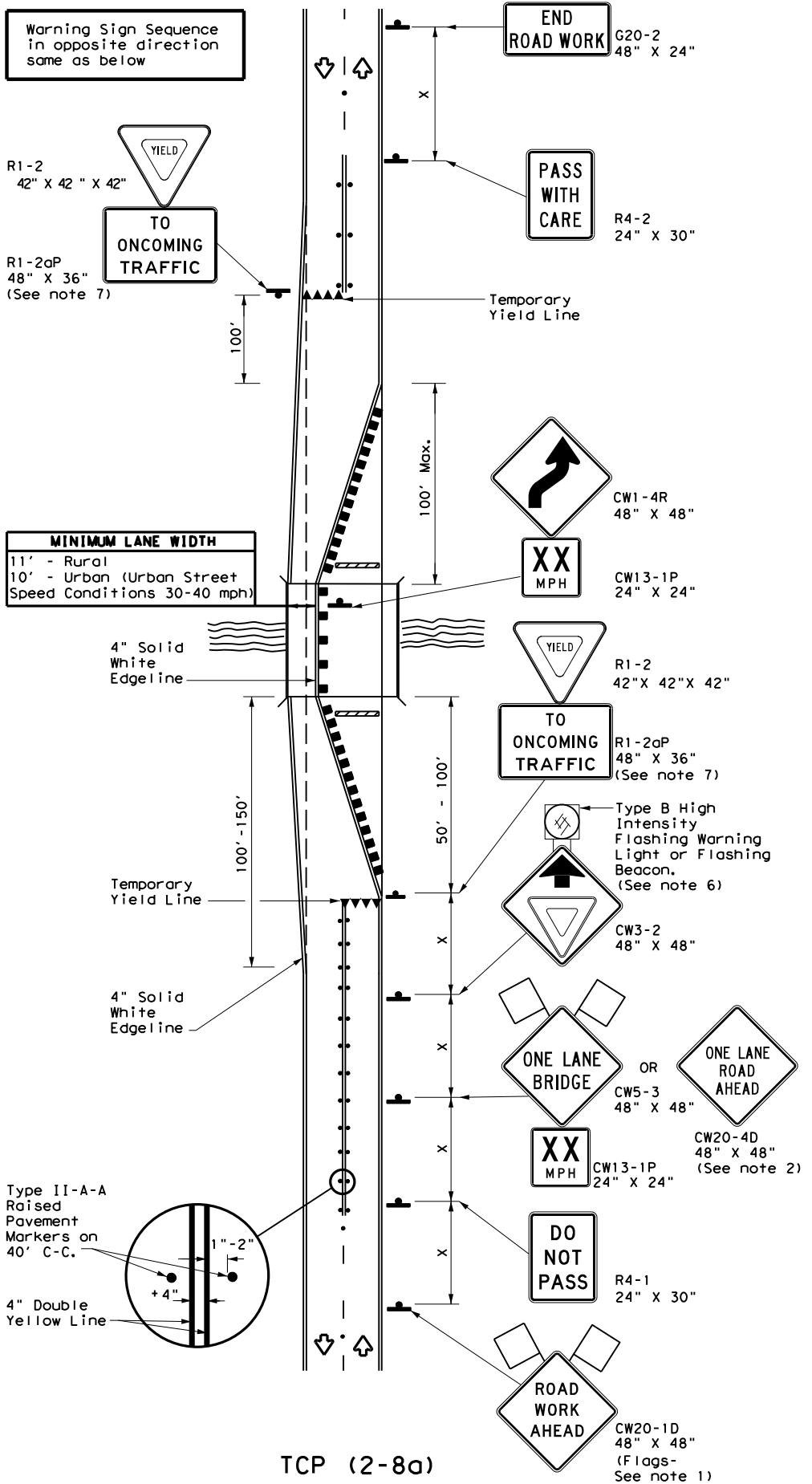
TRAFFIC CONTROL PLAN DIVERSIONS AND NARROW BRIDGES

TCP (2-7) - 18

FILE: tcp2-7-18.dgn	DN:	CK:	DW:	CK:
© TxDOT December 1985	CONT	SECT	JOB	HIGHWAY
REVISIONS	0915	00	253	VARIOUS
8-95 3-03	DIST	COUNTY	SHEET NO.	
1-97 2-12	SAT	BEXAR	16	
4-98 2-18				

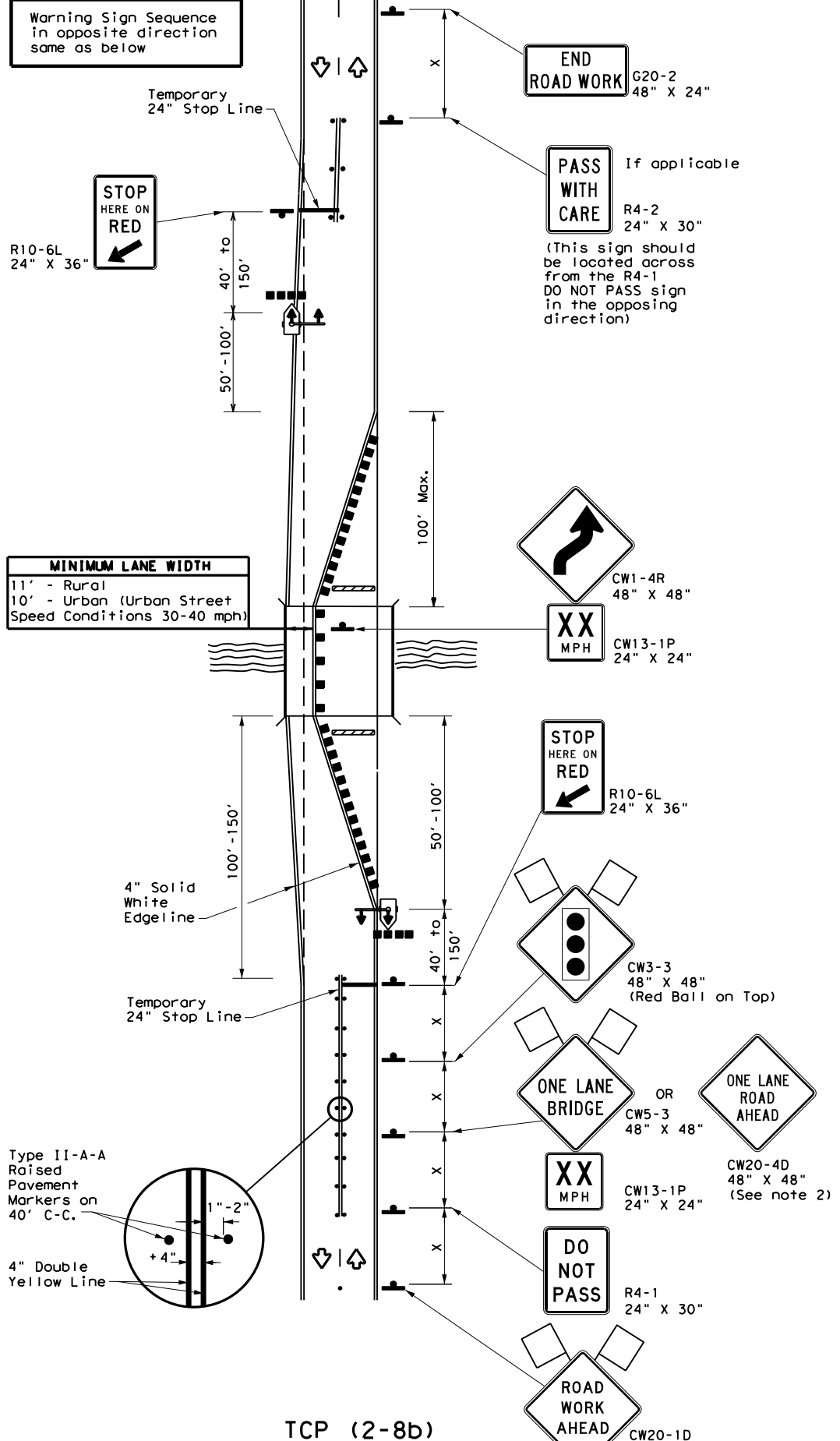
DISCLAIMER:

The use of this standard is governed by the "Texas Engineering Practice Act". No warranty of any kind is made by TxDOT for any purpose whatsoever. TxDOT assumes no responsibility for the conversion of units or the use of this standard in any other manner. The design of this standard is the property of TxDOT. DATE: 10/17/2022 1:54:42 PM FILE: I:\Traffic\Design\District PS&E Tracking\Plan Review\Bexar\0915-00-255.dgn



TCP (2-8a)

**ONE LANE TWO-WAY
TRAFFIC CONTROL WITH YIELD SIGNS**
(Less Than 2000 ADT-See Note 5)



TCP (2-8b)

**ONE LANE TWO-WAY
TRAFFIC CONTROL WITH TRAFFIC SIGNAL**

LEGEND			
	Type 3 Barricade		Channelizing Devices
	Sign		Traffic Flow
	Flag		Flagger
	Raised Pavement Markers Ty II-AA		Temporary or Portable Traffic Signal

Posted Speed *	Formula	Minimum Desirable Taper Lengths **			Suggested Maximum Spacing of Channelizing Devices		Minimum Sign Spacing "x" Distance	Suggested Longitudinal Buffer Space "B"	Stopping Sight Distance
		10' Offset	11' Offset	12' Offset	On a Taper	On a Tangent			
30	L = WS ² / 60	150'	165'	180'	30'	60'	120'	90'	200'
35		205'	225'	245'	35'	70'	160'	120'	250'
40		265'	295'	320'	40'	80'	240'	155'	305'
45	L = WS	450'	495'	540'	45'	90'	320'	195'	360'
50		500'	550'	600'	50'	100'	400'	240'	425'
55		550'	605'	660'	55'	110'	500'	295'	495'
60		600'	660'	720'	60'	120'	600'	350'	570'
65		650'	715'	780'	65'	130'	700'	410'	645'
70		700'	770'	840'	70'	140'	800'	475'	730'
75		750'	825'	900'	75'	150'	900'	540'	820'

* Conventional Roads Only
** Taper lengths have been rounded off.
L=Length of Taper (FT) W=Width of Offset (FT) S=Posted Speed (MPH)

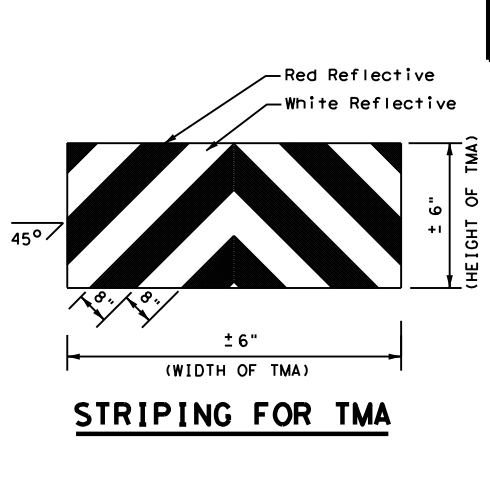
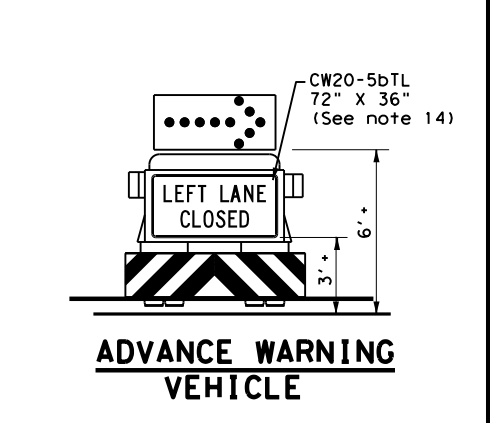
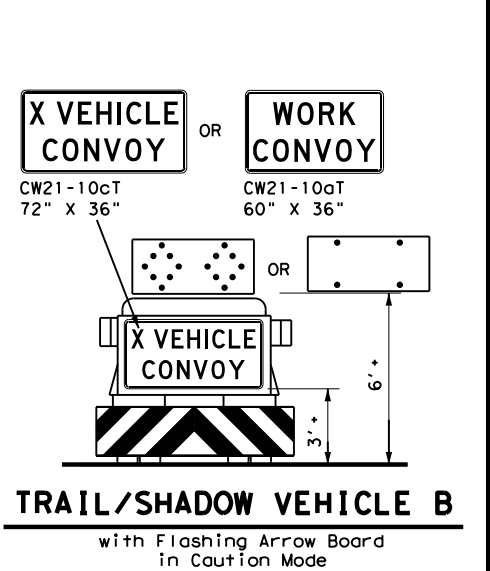
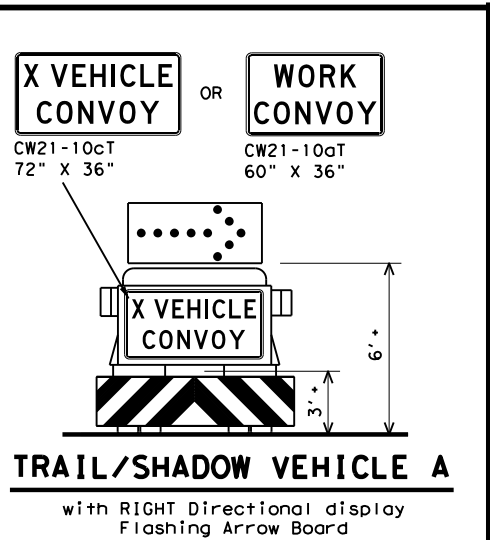
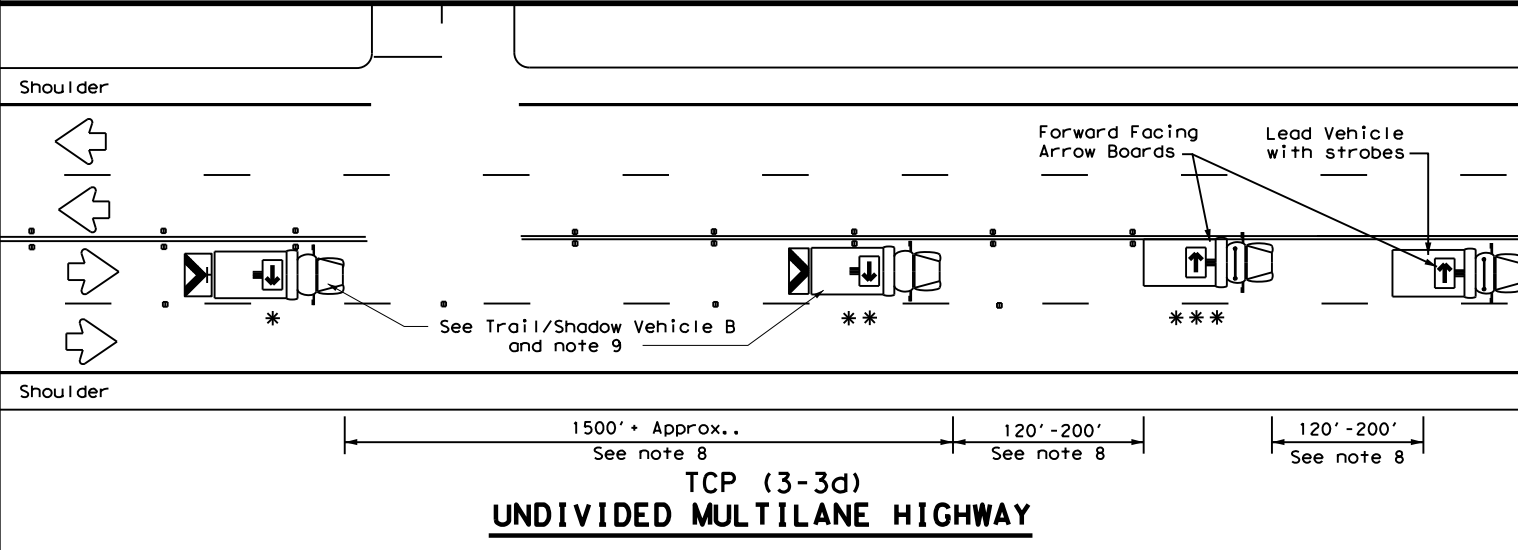
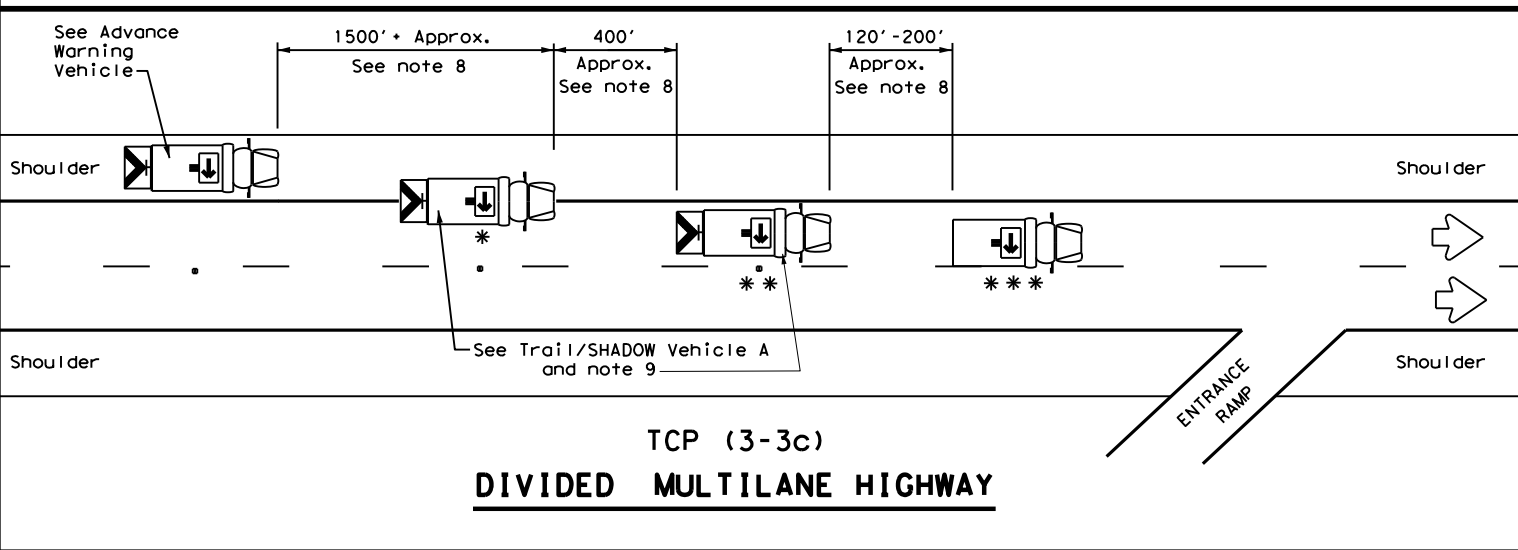
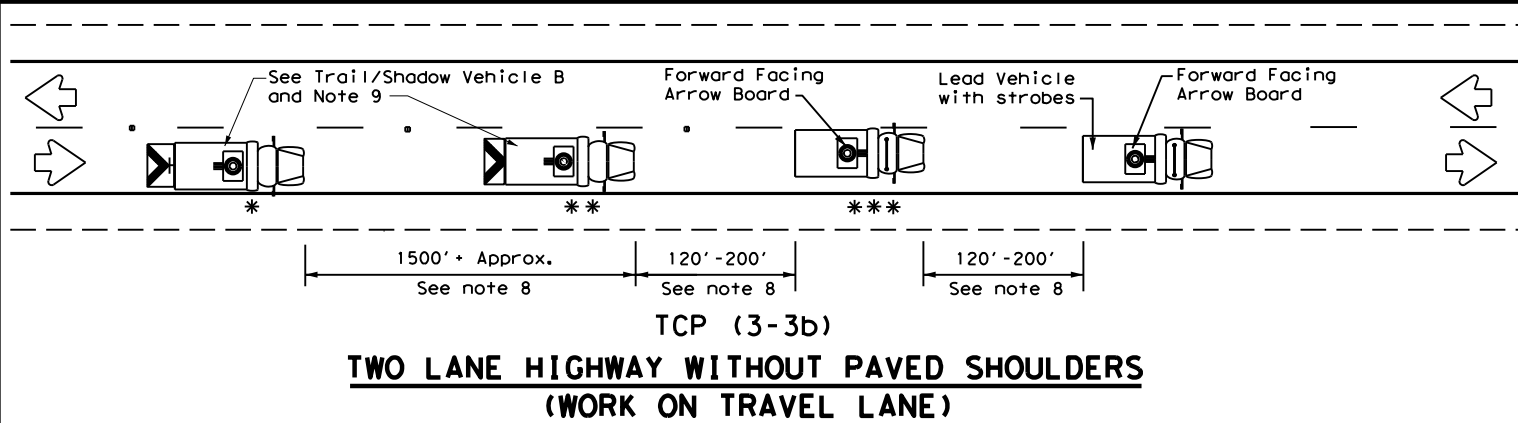
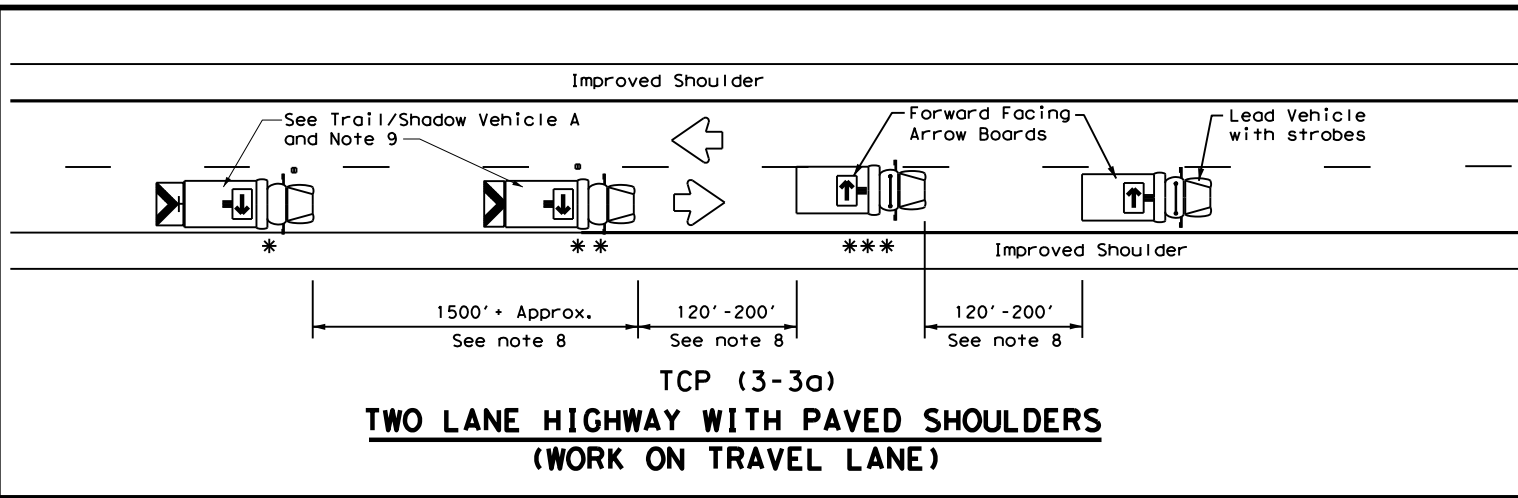
TYPICAL USAGE				
MOBILE	SHORT DURATION	SHORT TERM STATIONARY	INTERMEDIATE TERM STATIONARY	LONG TERM STATIONARY
			✓	✓

GENERAL NOTES

- Flags attached to signs where shown are REQUIRED.
 - When this TCP is used at a location which does not involve a bridge, a 48" x 48" CW20-4D "ONE LANE ROAD AHEAD" signs should be used in lieu of the CW5-3 "ONE LANE BRIDGE" signs. The CW13-1P Advisory Speed Plaque is required with either warning sign.
 - Raised pavement markers shall be placed 40 feet c-c on centerline between DO NOT PASS signs and stop or yield lines.
 - For intermediate term situations, when it is not feasible to remove and restore pavement markings, the channelization must be made dominant by using a very close spacing. This is especially important in locations of conflicting information, such as where traffic is directed over a double yellow centerline. In such locations a maximum channelizing device spacing of 20 feet is recommended. The 20 foot channelizing device spacing recommendation is intended for the area of conflicting information and not the entire work zone.
- TCP (2-8a)**
- Traffic control by CW3-2 "YIELD AHEAD" symbol signs for one lane two-way traffic control operations should be limited to work spaces less than 400 feet long and roadways with less than 2000 ADT. Otherwise, portable traffic signals should be used.
 - If power is available, a flashing beacon should be attached to the CW3-2 "YIELD AHEAD" symbol sign for emphasis.
 - The R1-2 "YIELD" and R1-2aP "TO ONCOMING TRAFFIC" signs and other regulatory signs shall be installed at 7 foot minimum mounting height.
- TCP (2-8b)**
- A list of approved Portable Traffic Signals can be found in the "Compliant Work Zone Traffic Control Devices" list.
 - Portable traffic signals should be located to provide adequate stopping sight distance for approaching motorist (See table above).

		Traffic Operations Division Standard	
TRAFFIC CONTROL PLAN LONG TERM ONE-LANE TWO-WAY CONTROL			
TCP (2-8) - 18			
FILE:	tcp2-8-18.dgn	DN:	CK:
© TxDOT	December 1995	CONT	SECT
REVISIONS		0915 00	JOB
		253	HIGHWAY
8-95 3-03		DIST	COUNTY
1-97 2-12		SAT	BEXAR
4-98 2-18			SHEET NO.
			17

DATE: 10/17/2022 1:54:43 PM
 FILE: I:\Traffic\Design\District_P&E_Tracking\Plan_Review\Bexar\0915-00-255 ID: 1547001.dgn
 The use of this standard is governed by the "Texas Engineering Practice Act". No warranty of any kind is made by TxDOT for any purpose whatsoever. TxDOT assumes no responsibility for the conversion of any information from one format to another or for the accuracy of any information derived therefrom.



LEGEND			
*	Trail Vehicle	ARROW BOARD DISPLAY	
**	Shadow Vehicle		
***	Work Vehicle	→	RIGHT Directional
◀	Heavy Work Vehicle	←	LEFT Directional
↔	Truck Mounted Attenuator (TMA)	↔	Double Arrow
⬇	Traffic Flow	⬇	CAUTION (Alternating Diamond or 4 Corner Flash)

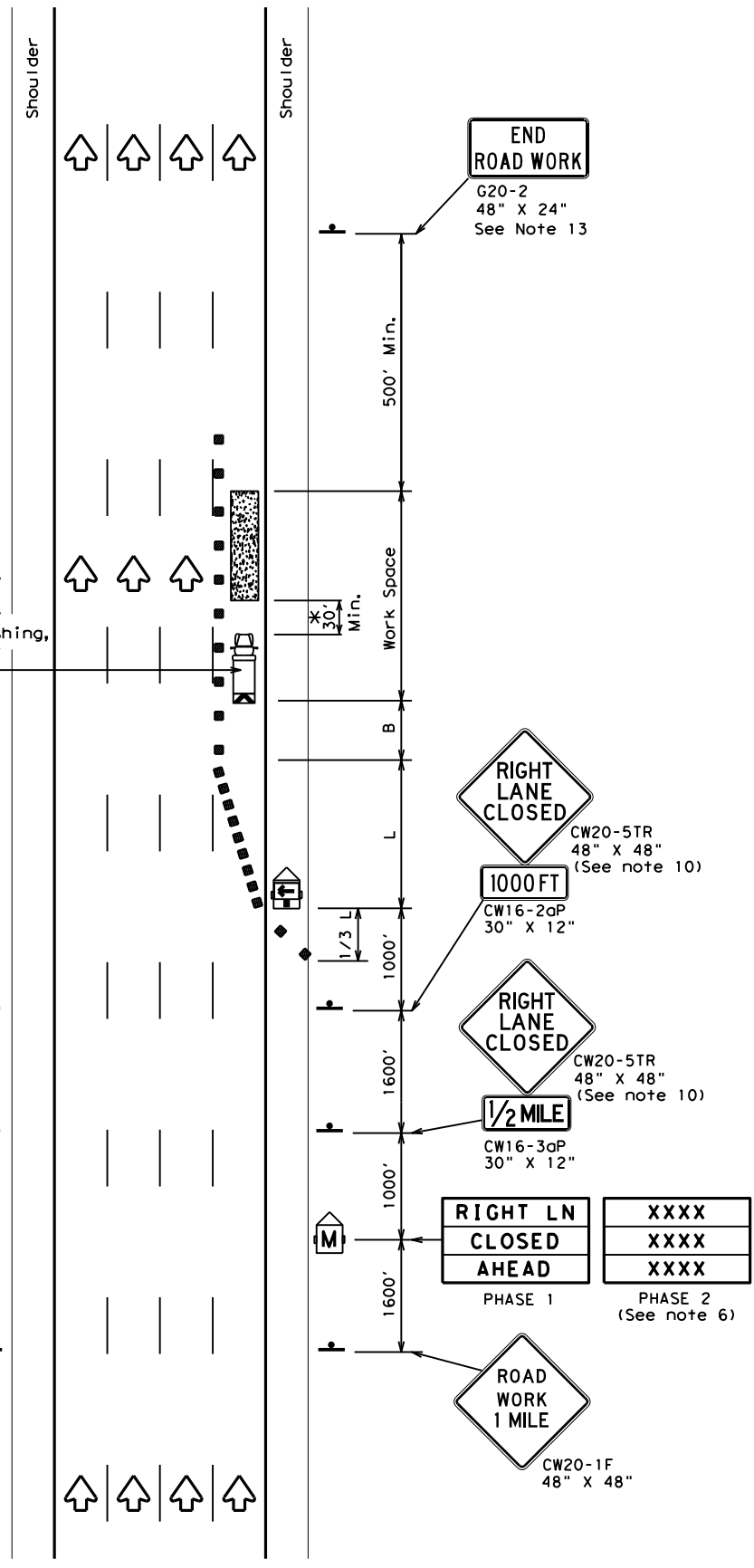
TYPICAL USAGE				
MOBILE	SHORT DURATION	SHORT TERM STATIONARY	INTERMEDIATE TERM STATIONARY	LONG TERM STATIONARY
✓				

GENERAL NOTES

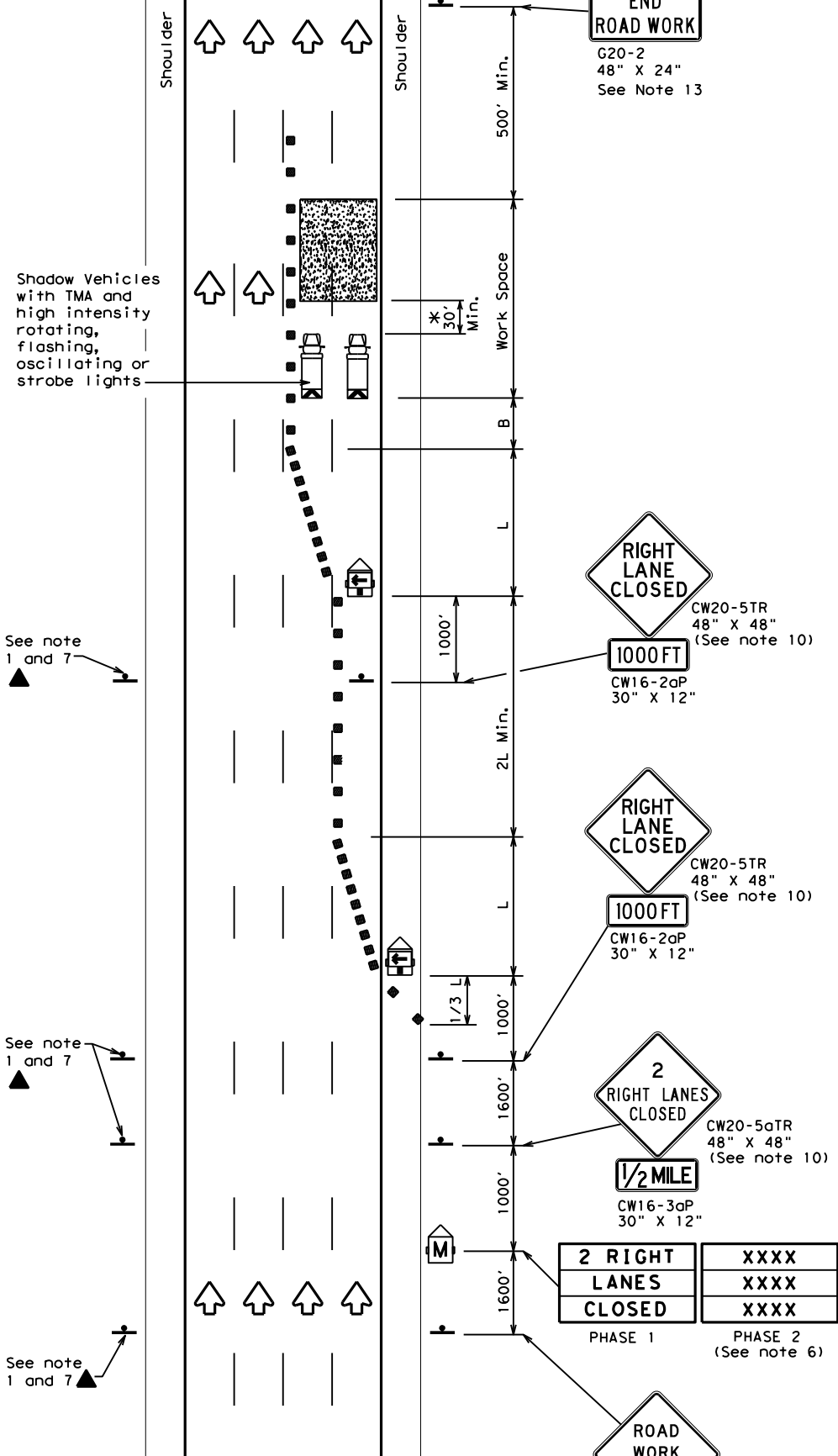
1. TRAIL, SHADOW, and LEAD vehicles shall be equipped with arrow boards as illustrated. When a LEAD vehicle is not used on two way roads the WORK vehicle must have an arrow board. For divided roadways, the arrow board on the WORK vehicle is optional based on the type of work being performed. The Engineer will determine if the LEAD vehicle and/or TRAIL vehicle are required based on prevailing roadway conditions, traffic volume, and sight distance restrictions.
2. The use of amber high intensity rotating, flashing, oscillating, or strobe lights on vehicles are required. Blue high intensity rotating, flashing, oscillating, or strobe lights when mounted on the driver's side of the vehicle may be operated simultaneously with the amber beacons or strobe lights.
3. The use of truck mounted attenuators (TMA) on the SHADOW VEHICLE, ADVANCE WARNING and TRAIL VEHICLE are required.
4. Reflective sheeting on the rear of the TMA shall meet or exceed the reflectivity and color requirements of DEPARTMENTAL MATERIAL SPECIFICATION DMS 8300, Type A.
5. Flashing arrow boards shall be Type B or Type C as per the Barricade and Construction (BC) standards. The board shall be controlled from inside the vehicle.
6. Each vehicle shall have two-way radio communication capability.
7. When work convoys must change lanes, the TRAIL VEHICLE should change lanes first to shadow the other convoy vehicles.
8. Vehicle spacing between the TRAIL VEHICLE and the SHADOW VEHICLE will vary depending on sight distance restrictions. Motorists approaching the convoy should be able to see the TRAIL VEHICLE in time to slow down and/or change lanes as they approach the TRAIL VEHICLE. Vehicle spacing between the WORK VEHICLE and SHADOW VEHICLE and vehicle spacing between WORK VEHICLE and LEAD VEHICLE may vary according to terrain, work activity and other factors.
9. X VEHICLE CONVOY (CW21-10cT) or WORK CONVOY (CW21-10aT) signs shall be used on TRAIL VEHICLES and SHADOW VEHICLES as shown. As an option 48" x 48" diamond shaped WORK CONVOY (CW21-10T) or X VEHICLE CONVOY (CW21-10bT) signs may be used where adequate mounting space exists. When used, the X VEHICLE CONVOY sign shall have the number of the convoy vehicles displayed on the sign in the number designation "X" location. The X VEHICLE CONVOY sign shall not be used on the SHADOW VEHICLE if a TRAIL VEHICLE is used.
10. For divided highways with two or three lanes in one direction, the appropriate LEFT LANE CLOSED (CW20-5bTL), RIGHT LANE CLOSED (CW20-5bTR), or CENTER LANE CLOSED (CW20-5dT) sign should be used on the Advance Warning Vehicle. As an option, a portable changeable message sign (PCMS) or truck mounted changeable message sign (TMCMS) with a minimum character height of 12", and displaying the same legend may be substituted for these signs. An appropriate directional arrow display, simulating the size and legibility of the flashing arrow board may be used in the second phase of the PCMS/TMCMS message. When this is done, the arrow board will not be required on the Advance Warning Vehicle.
11. A double arrow shall not be displayed on the arrow board on the Advance Warning Vehicle.
12. For divided highways with three or four lanes in each direction, use TCP(3-2).
13. Standard diamond shape versions of the CW20-5 series signs may be used as an option if the rectangular signs shown are not available.
14. The Advance Warning Vehicle may straddle the edgeline when Shoulder width makes it necessary.
15. On two-lane two-way roadways, the work and protection vehicles should pull over periodically to allow motor vehicle traffic to pass. If motorists are not allowed to pass the work convoy, a DO NOT PASS (R4-1) sign should be placed on the back of the rearmost protection vehicle.

TRAFFIC CONTROL PLAN MOBILE OPERATIONS RAISED PAVEMENT MARKER INSTALLATION/ REMOVAL TCP (3-3) - 14									
FILE:	tcp3-3.dgn	DN:	TxDOT	CK:	TxDOT	OW:	TxDOT	CK:	TxDOT
© TxDOT	September 1987	CONT	SECT	JOB	HIGHWAY				
REVISIONS		0915	00	253	VARIOUS				
2-94	4-98	DIST	COUNTY	SHEET NO.					
8-95	7-13	SAT	BEXAR	18					
1-97	7-14								

DISCLAIMER: The use of this standard is governed by the "Texas Engineering Practice Act". No warranty of any kind is made by TxDOT for any purpose whatsoever. TxDOT assumes no responsibility for the conversion of any units of measurement from SI to US Customary units or vice versa. TxDOT is not responsible for the accuracy of any information contained in this document. TxDOT is not responsible for the accuracy of any information contained in this document.



TCP (6-1a)
TYPICAL FREEWAY ONE LANE CLOSURE



TCP (6-1b)
TYPICAL FREEWAY TWO LANE CLOSURE

LEGEND			
	Type 3 Barricade		Channelizing Devices
	Heavy Work Vehicle		Truck Mounted Attenuator (TMA)
	Trailer Mounted Flashing Arrow Board		Portable Changeable Message Sign (PCMS)
	Sign		Traffic Flow
	Flag		Flagger

Posted Speed	Formula	Minimum Desirable Taper Lengths "L"			Suggested Maximum Spacing of Channelizing Devices		Suggested Longitudinal Buffer Space "B"
		10' Offset	11' Offset	12' Offset	On a Taper	On a Tangent	
45	L = WS	450'	495'	540'	45'	90'	195'
50		500'	550'	600'	50'	100'	240'
55		550'	605'	660'	55'	110'	295'
60		600'	660'	720'	60'	120'	350'
65		650'	715'	780'	65'	130'	410'
70		700'	770'	840'	70'	140'	475'
75		750'	825'	900'	75'	150'	540'
80		800'	880'	960'	80'	160'	615'

** Taper lengths have been rounded off.
L=Length of Taper (FT) W=Width of Offset (FT) S=Posted Speed (MPH)

TYPICAL USAGE				
MOBILE	SHORT DURATION	SHORT TERM STATIONARY	INTERMEDIATE TERM STATIONARY	LONG TERM STATIONARY
	✓	✓	✓	

GENERAL NOTES

- All traffic control devices illustrated are REQUIRED. Devices denoted with the triangle symbol may be omitted when stated elsewhere in the plans.
- Drums or 42" cones are the typical channelizing devices. For Intermediate Term Stationary work, drums shall be used on tapers with drums or 42" cones used on tangent sections. Other channelizing devices may be used as directed by the Engineer.
- All construction signs and barricades placed during any phase of work shall remain in place until removal is approved by the Engineer.
- The Engineer may direct the Contractor to furnish additional signs and barricades as required to maintain traffic flow, detours and motorist safety during construction.
- Static message boards or changeable message signs stating the date and duration of ramp or freeway lane closures shall be placed a minimum of seven (7) calendar days in advance of the actual closure.
- Phase 2 of the PCMS message should include appropriate information formatted as shown on BC(6), such as "MERGE LEFT," recommended advisory speed, delay information, or other specific warnings.
- Duplicate construction warning signs should be erected on the medians side of freeways where median width will permit and traffic volume justifies the signing.
- The number of closed lanes may be increased provided the spacing of traffic control devices, taper lengths and tangent lengths meet the requirements of the TMUTCD.
- Warning signs for intermediate term stationary work should be mounted at 7' to the bottom of the sign.
- Warning signs shown shall be appropriately altered for left lane closures. When signs are mounted at 1' height for short term stationary or short duration work, sign versions shown in the SHSD for Texas with distances on the sign face rather than mounted on a plaque below the sign may be used.
- When possible, PCMS units should be located in advance of the last available exit ramp prior to the lane closure to allow motorists an alternate route. They may also be relocated to improve advance warning in case of unanticipated queuing or congestion.
- For Intermediate Term Stationary work at night, floodlights should be used to illuminate the work area and equipment crossings. Floodlights shall not produce a disabling glare condition for road users or workers.
- The END ROAD WORK (G20-2) sign may be omitted when it conflicts with G20-2 signs already in place on the project.

* A shadow vehicle equipped with a Truck Mounted Attenuator is typically required. A shadow vehicle equipped with a TMA shall be used if it can be positioned 30' to 100' in advance of the area of crew exposure without adversely affecting the work performance.



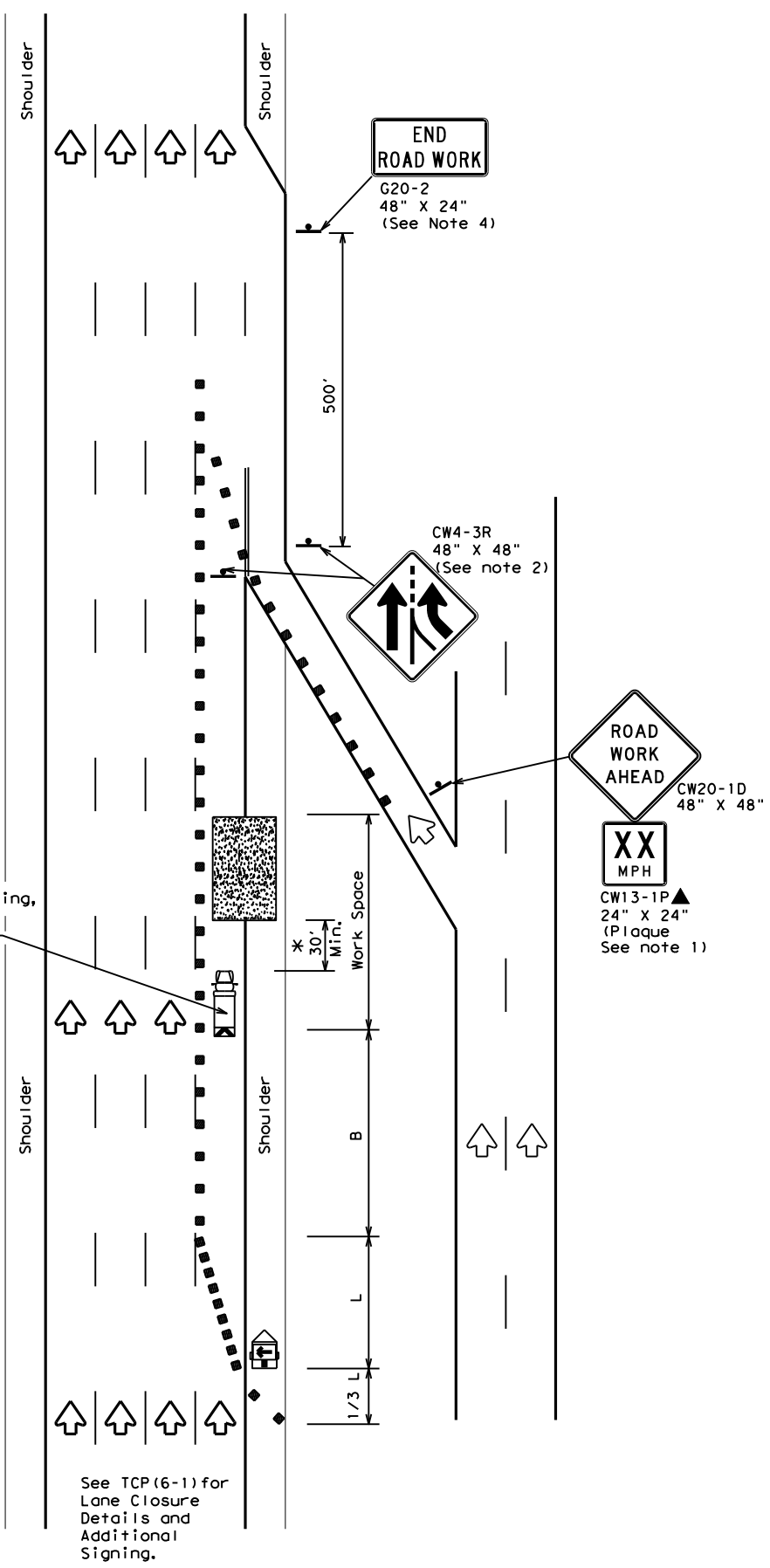
TRAFFIC CONTROL PLAN FREEWAY LANE CLOSURES

TCP (6-1) - 12

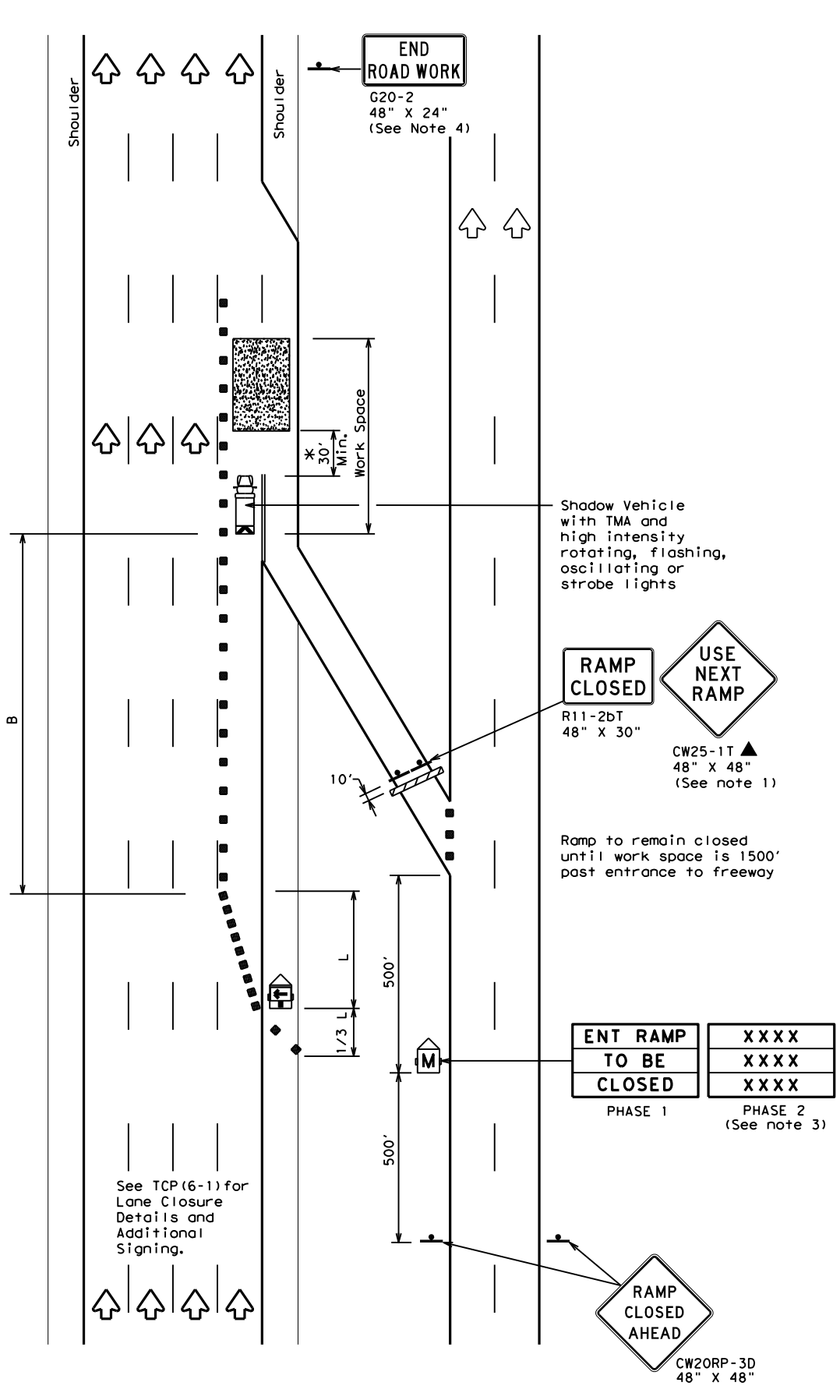
FILE:	tcp6-1.dgn	DN:	TxDOT	CK:	TxDOT	DW:	TxDOT	CK:	TxDOT
© TxDOT	February 1998	CONT	SECT	JOB	HIGHWAY				
8-12	REVISIONS	0915 00		253	VARIOUS				
	DIST	COUNTY	SHEET NO.						
	SAT	BEXAR	19						

DISCLAIMER: The use of this standard is governed by the "Texas Engineering Practice Act". No warranty of any kind is made by TxDOT for any purpose whatsoever. TxDOT assumes no responsibility for the conversion of units or the accuracy of any information derived from this standard. The user of this standard is advised to consult with the appropriate regulatory agencies for the latest revisions and amendments to this standard.

DATE: 10/17/2022 1:54:43 PM
 FILE: I:\Traffic\Design\District PS&E Tracking\Plan_Review\Bexar\0915-00-255 ID: 11444444.dgn



TCP (6-2a)
ENTRANCE RAMP OPEN
WORK WITHIN 500' OF RAMP



TCP (6-2b)
ENTRANCE RAMP CLOSED

LEGEND			
	Type 3 Barricade		Channelizing Devices
	Heavy Work Vehicle		Truck Mounted Attenuator (TMA)
	Trailer Mounted Flashing Arrow Board		Portable Changeable Message Sign (PCMS)
	Sign		Traffic Flow
	Flag		Flagger

Posted Speed	Formula	Minimum Desirable Taper Lengths "L"			Suggested Maximum Spacing of Channelizing Devices		Suggested Longitudinal Buffer Space "B"
		10' Offset	11' Offset	12' Offset	On a Taper	On a Tangent	
45	L = WS	450'	495'	540'	45'	90'	195'
50		500'	550'	600'	50'	100'	240'
55		550'	605'	660'	55'	110'	295'
60		600'	660'	720'	60'	120'	350'
65		650'	715'	780'	65'	130'	410'
70		700'	770'	840'	70'	140'	475'
75		750'	825'	900'	75'	150'	540'
80		800'	880'	960'	80'	160'	615'

** Taper lengths have been rounded off.
 L=Length of Taper (FT) W=Width of Offset(FT) S=Posted Speed(MPH)

TYPICAL USAGE				
MOBILE	SHORT DURATION	SHORT TERM STATIONARY	INTERMEDIATE TERM STATIONARY	LONG TERM STATIONARY
	✓	✓	✓	

GENERAL NOTES

- All traffic control devices illustrated are REQUIRED. Devices denoted with the triangle symbol may be omitted when stated elsewhere in the plans.
- ADDED LANE Symbol (CW4-3) sign may be omitted when sign between ramp and mainlane can be seen from both roadways.
- See "Advance Notice List" on BC(6) for recommended date and time formatting options for PCMS Phase 2 message.
- The END ROAD WORK (G20-2) sign may be omitted when it conflicts with G20-2 signs already in place on the project.

*A shadow vehicle equipped with a Truck Mounted Attenuator is typically required. A shadow vehicle equipped with a TMA shall be used if it can be positioned 30' to 100' in advance of the area of crew exposure without adversely affecting the work performance.

Additional requirements for lane closures and advance signing shall be as shown on TCP (6-1) or as directed by the Engineer.



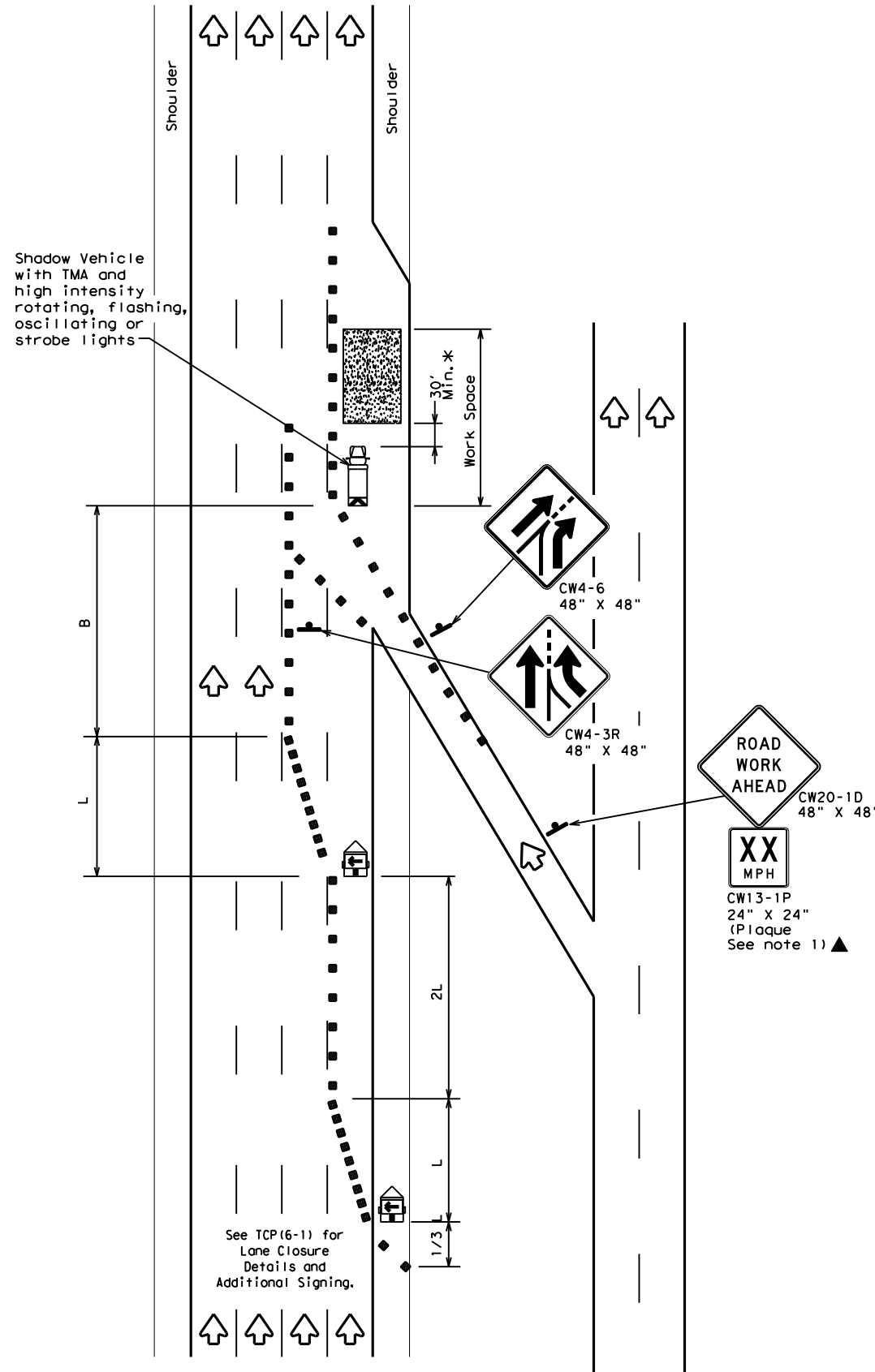
TRAFFIC CONTROL PLAN
WORK AREA NEAR RAMP

TCP (6-2) - 12

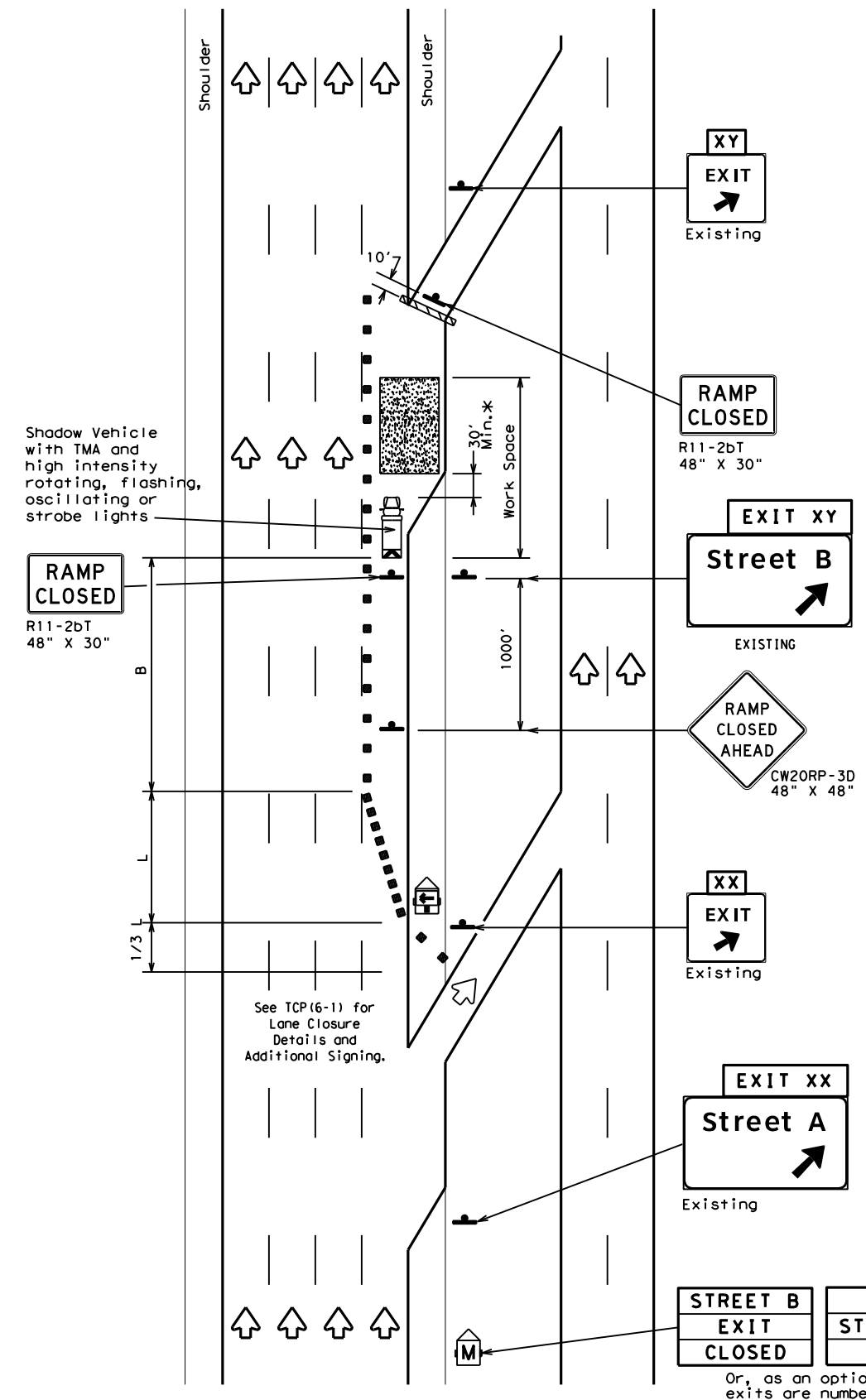
FILE: tcp6-2.dgn	DN: TxDOT	CK: TxDOT	DW: TxDOT	CR: TxDOT
©TxDOT February 1994	CONT	SECT	JOB	HIGHWAY
REVISIONS	091500		253	VARIOUS
1-97 8-98	DIST	COUNTY		SHEET NO.
4-98 8-12	SAT	BEXAR		20

DISCLAIMER: The use of this standard is governed by the "Texas Engineering Practice Act". No warranty of any kind is made by TxDOT for any purpose whatsoever. TxDOT assumes no responsibility for the conversion of units or the accuracy of the information contained herein. The user of this standard shall be responsible for the accuracy of the information contained herein. TxDOT is not responsible for the accuracy of the information contained herein. TxDOT is not responsible for the accuracy of the information contained herein.

DATE: 10/17/2022 1:54:44 PM
 FILE: I:\Traffic\Design\District PS&E Tracking\Plan_Review\Bexar\0915-00-255 ID 1-17-2022\0915-00-255-12s.dgn



TCP (6-3a)
ENTRANCE RAMP OPEN



TCP (6-3b)
EXIT RAMP CLOSED
TRAFFIC EXITS PRIOR TO CLOSED RAMP

LEGEND			
	Type 3 Barricade		Channelizing Devices
	Heavy Work Vehicle		Truck Mounted Attenuator (TMA)
	Trailer Mounted Flashing Arrow Board		Portable Changeable Message Sign (PCMS)
	Sign		Traffic Flow
	Flag		Flagger

Posted Speed	Formula	Minimum Desirable Taper Lengths "L" **			Suggested Maximum Spacing of Channelizing Devices		Suggested Longitudinal Buffer Space "B"
		10' Offset	11' Offset	12' Offset	On a Taper	On a Tangent	
45	L = WS	450'	495'	540'	45'	90'	195'
50		500'	550'	600'	50'	100'	240'
55		550'	605'	660'	55'	110'	295'
60		600'	660'	720'	60'	120'	350'
65		650'	715'	780'	65'	130'	410'
70		700'	770'	840'	70'	140'	475'
75		750'	825'	900'	75'	150'	540'
80		800'	880'	960'	80'	160'	615'

** Taper lengths have been rounded off.
 L=Length of Taper (FT) W=Width of Offset (FT) S=Posted Speed (MPH)

TYPICAL USAGE				
MOBILE	SHORT DURATION	SHORT TERM STATIONARY	INTERMEDIATE TERM STATIONARY	LONG TERM STATIONARY
	✓	✓	✓	

GENERAL NOTES:

- All traffic control devices illustrated are REQUIRED. Devices denoted with the triangle symbol may be omitted when stated elsewhere in the plans.

*A shadow vehicle equipped with a Truck Mounted Attenuator is typically required. A shadow vehicle equipped with a TMA shall be used if it can be positioned 30' to 100' in advance of the area of crew exposure without adversely affecting the work performance.

Additional requirements for lane closures and advance signing shall be as shown on TCP (6-1) or as directed by the Engineer.



TRAFFIC CONTROL PLAN
WORK AREA BEYOND RAMP

TCP (6-3) - 12

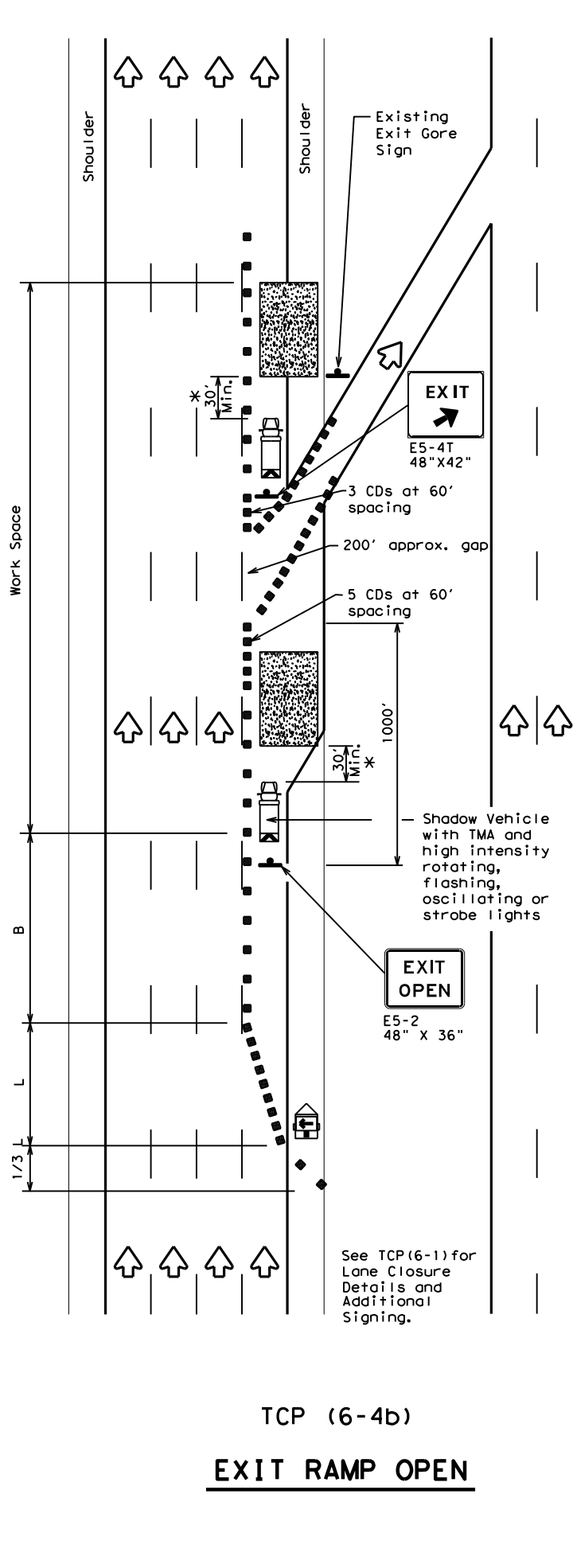
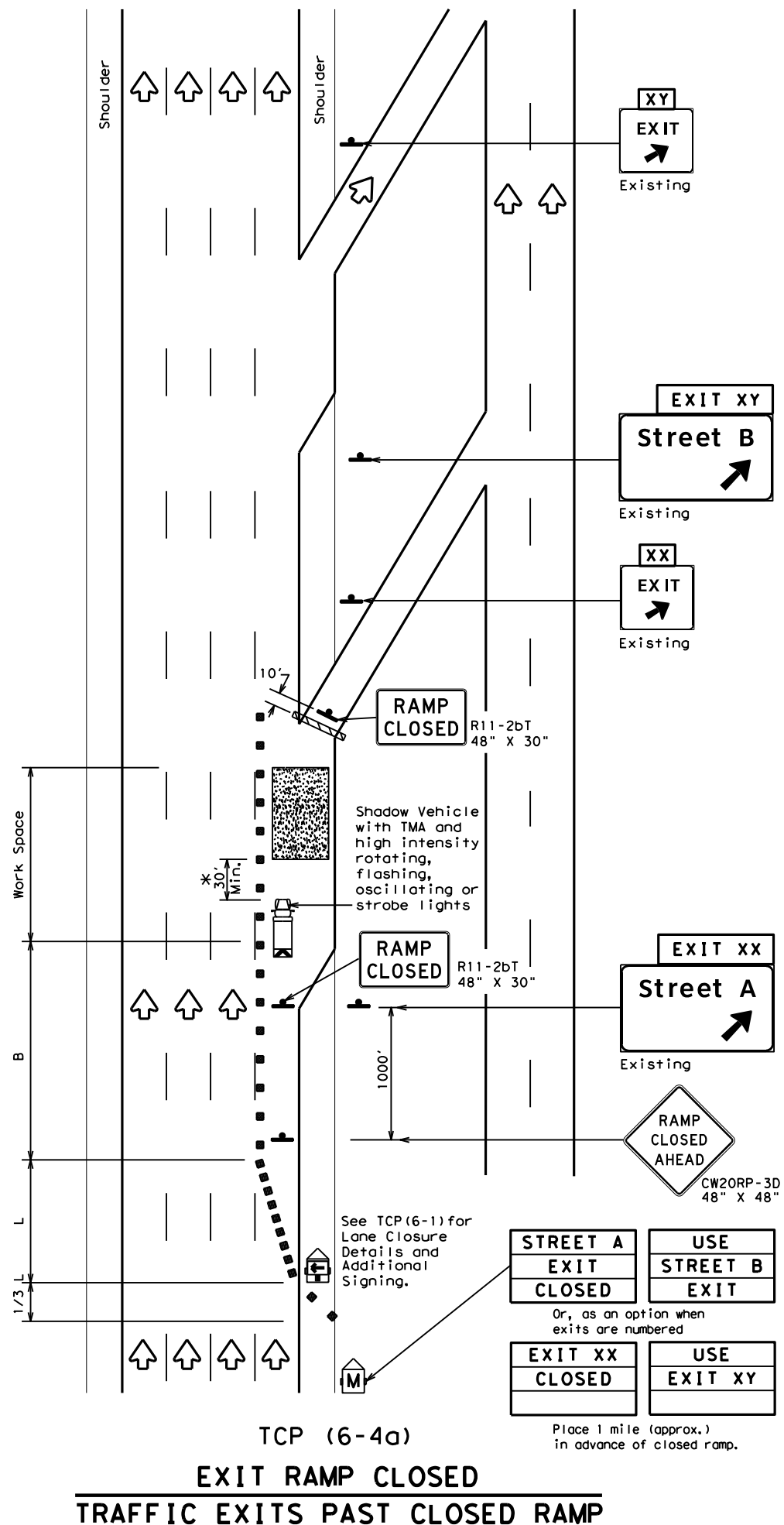
FILE: tcp6-3.dgn	DN: TxDOT	CK: TxDOT	DW: TxDOT	CR: TxDOT
©TxDOT February 1994	CONT	SECT	JOB	HIGHWAY
REVISIONS	0915 00		253	VARIOUS
1-97 8-98	DIST	COUNTY		SHEET NO.
4-98 8-12	SAT	BEXAR		21

DISCLAIMER:

The use of this standard is governed by the "Texas Engineering Practice Act". No warranty of any kind is made by TxDOT for any purpose whatsoever. TxDOT assumes no responsibility for the conversion of units or the accuracy of the information contained herein. The user of this standard shall be responsible for obtaining the most current edition of this standard. TxDOT reserves the right to modify this standard without notice. TxDOT reserves the right to modify this standard without notice. TxDOT reserves the right to modify this standard without notice.

DATE: 10/17/2022 1:54:44 PM

FILE: I:\Traffic\Design\District PS&E Tracking\Plan_Review\Bexar\0915-00-255\TDC\Traffic\CP\CP6-4-12s.dgn



LEGEND			
	Type 3 Barricade		Channelizing Devices (CDs)
	Heavy Work Vehicle		Truck Mounted Attenuator (TMA)
	Trailer Mounted Flashing Arrow Board		Portable Changeable Message Sign (PCMS)
	Sign		Traffic Flow
	Flag		Flagger

Posted Speed	Formula	Minimum Desirable Taper Lengths "L"			Suggested Maximum Spacing of Channelizing Devices		Suggested Longitudinal Buffer Space "B"
		10' Offset	11' Offset	12' Offset	On a Taper	On a Tangent	
45	L = WS	450'	495'	540'	45'	90'	195'
50		500'	550'	600'	50'	100'	240'
55		550'	605'	660'	55'	110'	295'
60		600'	660'	720'	60'	120'	350'
65		650'	715'	780'	65'	130'	410'
70		700'	770'	840'	70'	140'	475'
75		750'	825'	900'	75'	150'	540'
80		800'	880'	960'	80'	160'	615'

**Taper lengths have been rounded off.
L=Length of Taper (FT) W=Width of Offset(FT) S=Posted Speed(MPH)

TYPICAL USAGE				
MOBILE	SHORT DURATION	SHORT TERM STATIONARY	INTERMEDIATE TERM STATIONARY	LONG TERM STATIONARY
	✓	✓	✓	

- GENERAL NOTES**
- All traffic control devices illustrated are REQUIRED. Devices denoted with the triangle symbol may be omitted when stated elsewhere in the plans.
 - See BC Standards for sign details.

*A shadow vehicle equipped with a Truck Mounted Attenuator is typically required. A shadow vehicle equipped with a TMA shall be used if it can be positioned 30' to 100' in advance of the area of crew exposure without adversely affecting the work performance.

Additional requirements for lane closures and advance signing shall be as shown on TCP (6-1) or as directed by the Engineer.

Texas Department of Transportation
Traffic Operations Division Standard

**TRAFFIC CONTROL PLAN
WORK AREA AT EXIT RAMP**

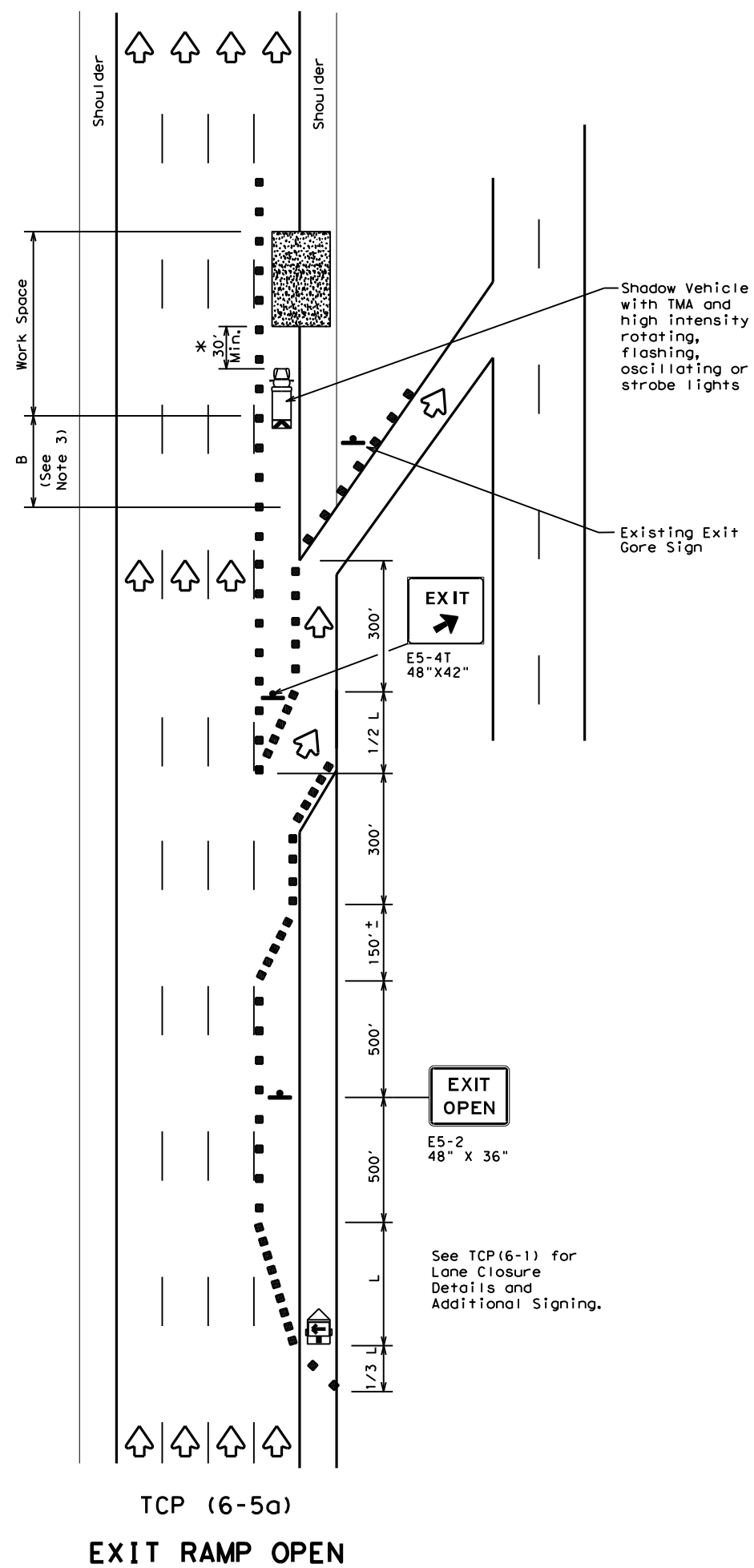
TCP (6-4) - 12

FILE: tcp6-4.dgn	DN: TxDOT	CK: TxDOT	DW: TxDOT	CR: TxDOT
©TxDOT February 1994	CONT	SECT	JOB	HIGHWAY
REVISIONS	0915 00		253	VARIOUS
1-97 8-98	DIST	COUNTY		SHEET NO.
4-98 8-12	SAT	BEXAR		22

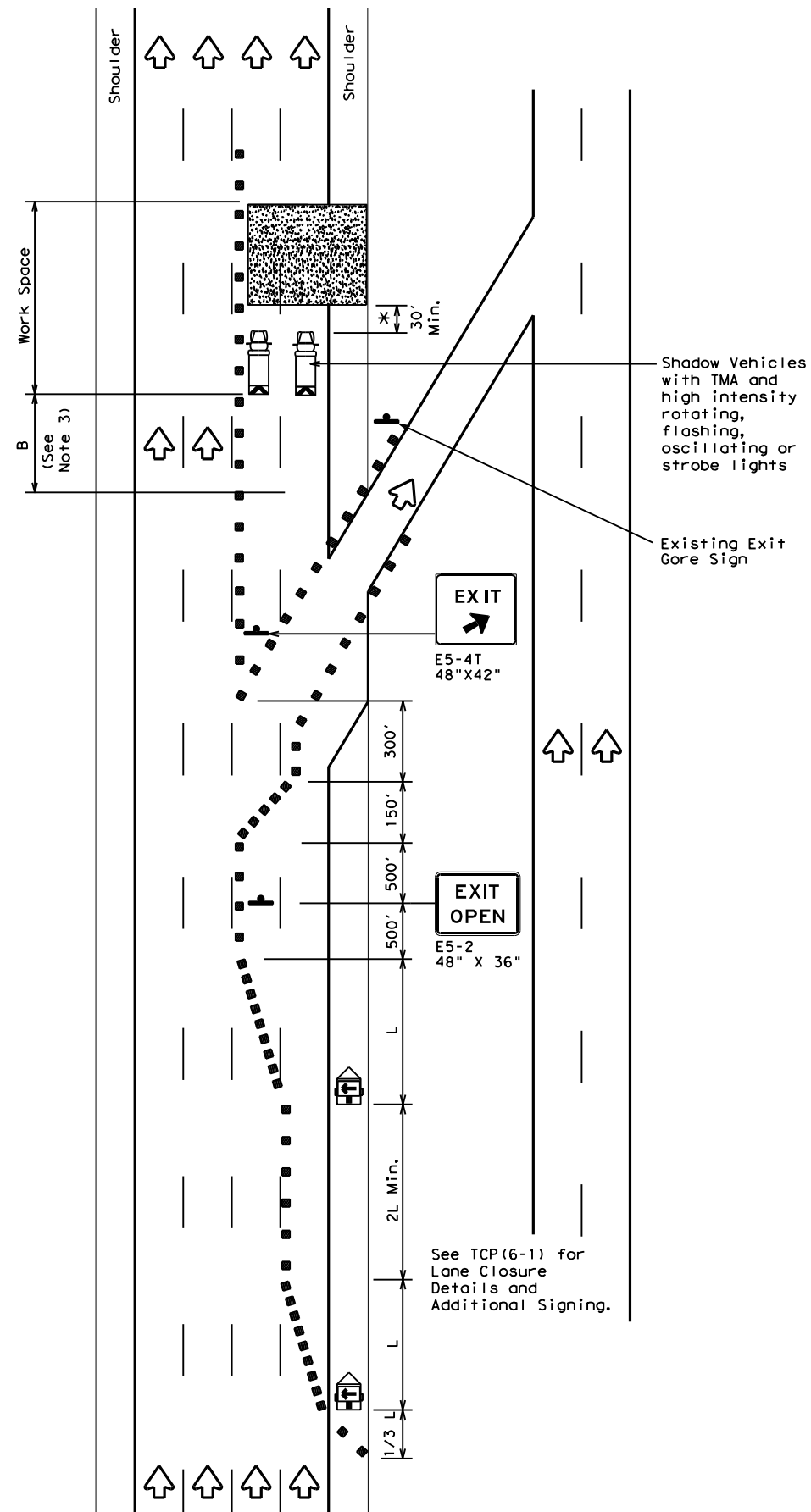
DISCLAIMER:

The use of this standard is governed by the "Texas Engineering Practice Act". No warranty of any kind is made by TxDOT for any purpose whatsoever. TxDOT assumes no responsibility for the conversion of units or the accuracy of the information contained herein.

DATE: 10/17/2022 1:54:44 PM
 FILE: I:\Traffic\Design\District_PS&E_Tracking\Plan_Review\Bexar\0915-00-253\TID\091500-253\091500-253.dgn



TCP (6-5a)
EXIT RAMP OPEN



TCP (6-5b)
**EXIT RAMP OPEN
 TWO LANE CLOSURE WITHIN
 1500' PAST EXIT RAMP**

LEGEND			
	Type 3 Barricade		Channelizing Devices
	Heavy Work Vehicle		Truck Mounted Attenuator (TMA)
	Trailer Mounted Flashing Arrow Board		Portable Changeable Message Sign (PCMS)
	Sign		Traffic Flow
	Flag		Flagger

Posted Speed	Formula	Minimum Desirable Taper Lengths "L"			Suggested Maximum Spacing of Channelizing Devices		Suggested Longitudinal Buffer Space "B"
		10' Offset	11' Offset	12' Offset	On a Taper	On a Tangent	
45	L = WS	450'	495'	540'	45'	90'	195'
50		500'	550'	600'	50'	100'	240'
55		550'	605'	660'	55'	110'	295'
60		600'	660'	720'	60'	120'	350'
65		650'	715'	780'	65'	130'	410'
70		700'	770'	840'	70'	140'	475'
75		750'	825'	900'	75'	150'	540'
80		800'	880'	960'	80'	160'	615'

** Taper lengths have been rounded off.
 L=Length of Taper (FT) W=Width of Offset (FT) S=Posted Speed (MPH)

TYPICAL USAGE				
MOBILE	SHORT DURATION	SHORT TERM STATIONARY	INTERMEDIATE TERM STATIONARY	LONG TERM STATIONARY
	✓	✓	✓	

GENERAL NOTES

- All traffic control devices illustrated are REQUIRED. Devices denoted with the triangle symbol may be omitted when stated elsewhere in the plans.
- See BC standards for sign details.
- If adequate longitudinal buffer length "B" does not exist between the work space and the exit ramp, consideration should be given to closing the ramp.

*A shadow vehicle equipped with a Truck Mounted Attenuator is typically required. A shadow vehicle equipped with a TMA shall be used if it can be positioned 30' to 100' in advance of the area of crew exposure without adversely affecting the work performance.

Additional requirements for lane closures and advance signing shall be as shown on TCP (6-1) or as directed by the Engineer.

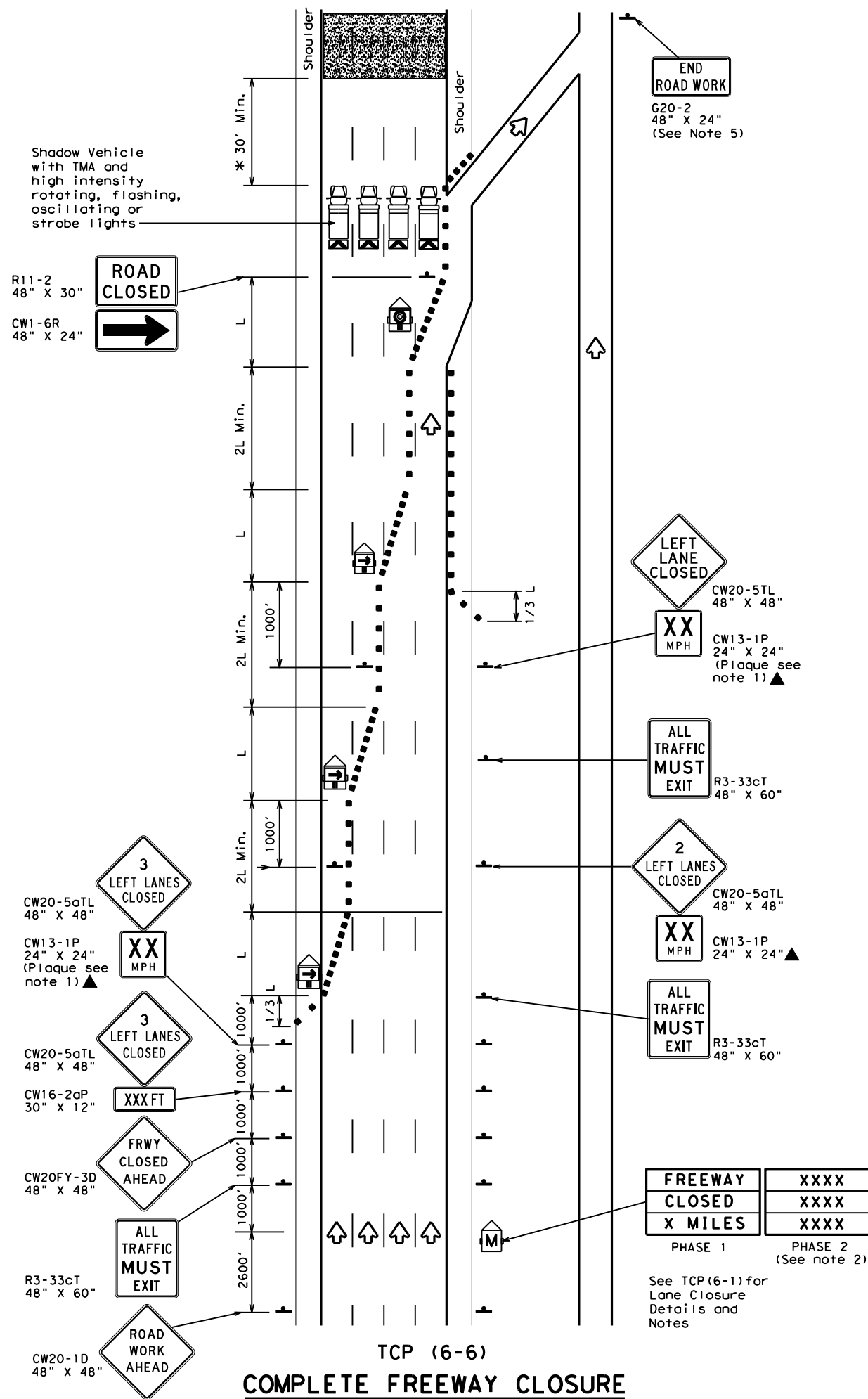
Texas Department of Transportation
 Traffic Operations Division Standard

**TRAFFIC CONTROL PLAN
 WORK AREA BEYOND EXIT RAMP**

TCP (6-5) - 12

FILE: tcp6-5.dgn	DN: TxDOT	CK: TxDOT	DW: TxDOT	CK: TxDOT
©TxDOT February 1998	CONT	SECT	JOB	HIGHWAY
REVISIONS	091500		253	VARIOUS
1-97 8-98	DIST	COUNTY		SHEET NO.
4-98 8-12	SAT	BEXAR		23

DATE: 10/17/2022 1:54:45 PM
 FILE: I:\Traffic\Design\District PS&E Tracking\Plan Review\Bexar\0915-00-255.01\Traffic\Bexar\0915-00-255.dgn
 DISCLAIMER: The use of this standard is governed by the "Texas Engineering Practice Act". No warranty of any kind is made by TxDOT for any purpose whatsoever. TxDOT assumes no responsibility for the conversion of units or the accuracy of any information derived from this drawing.



LEGEND			
	Type 3 Barricade		Channelizing Devices
	Heavy Work Vehicle		Truck Mounted Attenuator (TMA)
	Trailer Mounted Flashing Arrow Board		Portable Changeable Message Sign (PCMS)
	Flashing Arrow Board in Caution Mode		Traffic Flow
	Sign		

Posted Speed	Formula	Minimum Desirable Taper Lengths "L"			Suggested Maximum Spacing of Channelizing Devices		Suggested Longitudinal Buffer Space "B"
		10' Offset	11' Offset	12' Offset	On a Taper	On a Tangent	
45	L = WS	450'	495'	540'	45'	90'	195'
50		500'	550'	600'	50'	100'	240'
55		550'	605'	660'	55'	110'	295'
60		600'	660'	720'	60'	120'	350'
65		650'	715'	780'	65'	130'	410'
70		700'	770'	840'	70'	140'	475'
75		750'	825'	900'	75'	150'	540'
80		800'	880'	960'	80'	160'	615'

** Taper lengths have been rounded off.
 L = Length of Taper (FT) W = Width of Offset (FT) S = Posted Speed (MPH)

TYPICAL USAGE				
MOBILE	SHORT DURATION	SHORT TERM STATIONARY	INTERMEDIATE TERM STATIONARY	LONG TERM STATIONARY
	✓	✓	✓	

GENERAL NOTES

- All traffic control devices illustrated are REQUIRED. Devices denoted with the triangle symbol may be omitted when stated elsewhere in the plans.
- Phase 2 of the PCMS message should include appropriate information formatted as shown on BC(6), such as "MERGE RIGHT," recommended speed, delay, exit information, or other specific warnings.
- Where queuing is anticipated beyond signing shown, additional PCMS signs, other warning signs, devices or Law Enforcement Officers should be available to warn approaching high speed traffic of the end of the queue, as directed by the Engineer.
- Entrance ramps located from the advance warning area to the exit ramp should be closed whenever possible.
- The END ROAD WORK (G20-2) sign may be omitted when it conflicts with G20-2 signs already in place on the project.

*A shadow vehicle equipped with a Truck Mounted Attenuator is typically required. A shadow vehicle equipped with a TMA shall be used if it can be positioned 30' to 100' in advance of the area of crew exposure without adversely affecting the work performance.

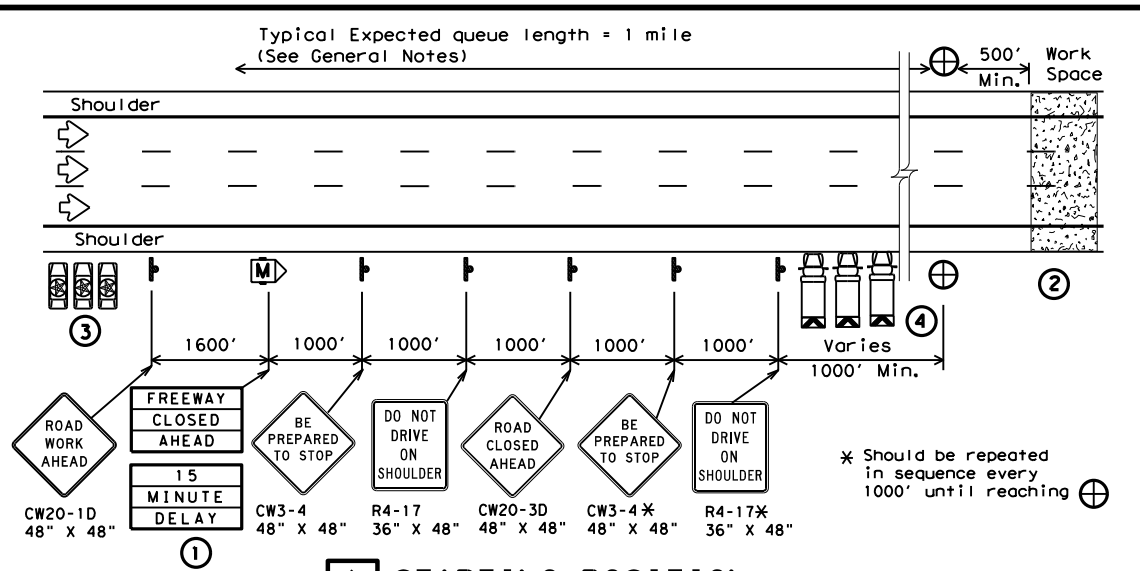
Additional requirements for lane closures and advance signing shall be as shown on TCP (6-1) or as directed by the Engineer.

**TRAFFIC CONTROL PLAN
FREEWAY CLOSURE**

TCP (6-6) - 12

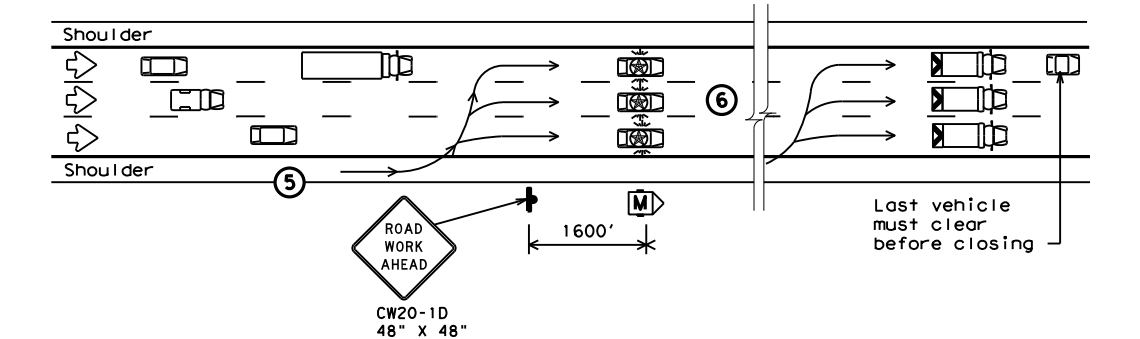
FILE:	tcp6-6.dgn	DN:	TxDOT	CK:	TxDOT	DW:	TxDOT	CR:	TxDOT
©TxDOT	February 1994	CONT	SECT	JOB	HIGHWAY				
REVISIONS		0915	00	253	VARIOUS				
1-97	8-98					DIST		COUNTY	SHEET NO.
4-98	8-12					SAT		BEXAR	24

10/17/2022 1:54:45 PM
 DATE: I:\Traffic\Design\District PS&E Tracking\Plan Review\Bexar\0915-00-255 ID: 128481
 FILE: I:\Traffic\Design\District PS&E Tracking\Plan Review\Bexar\0915-00-255 ID: 128481
 The use of this standard is governed by the "Texas Engineering Practice Act". No warranty of any kind is made by TxDOT for any purpose whatsoever. TxDOT assumes no responsibility for the conversion of units or the accuracy of the information presented herein.



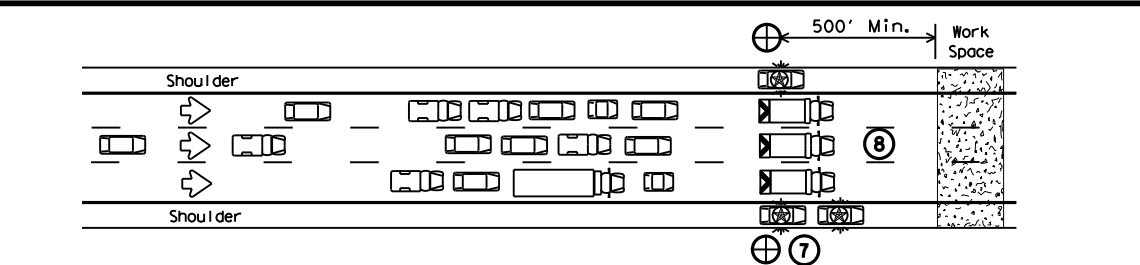
1 STARTING POSITION

- ① Traffic control devices should be installed or located near their intended position prior to beginning temporary roadway closure sequence. Duplicate signs should be erected on the median side of the roadway when median width permits. Warning signs should not be placed on the paved shoulders that will be used by the WARNING LEOV, or where movement of the LEOVs or barrier vehicles will be impeded.
- ② Prior to beginning the roadway closure sequence, all equipment, materials, personnel, and other items necessary to complete the work should be gathered near the work area. Entrance ramps located in the area where a queue is expected to build should be closed.
- ③ There should be one LEOV for every lane to be controlled, plus a minimum of one to warn traffic approaching a queue. An additional lead law enforcement officer is desirable to remain with the Engineer's or Contractor's point of contact (POC) during the operation in order to improve communication with all LEOVs involved.
- ④ One barrier vehicle with a Truck Mounted Attenuator and amber or blue and amber high intensity flashing/oscillating/strobe lighting shall be used for each lane to be closed.



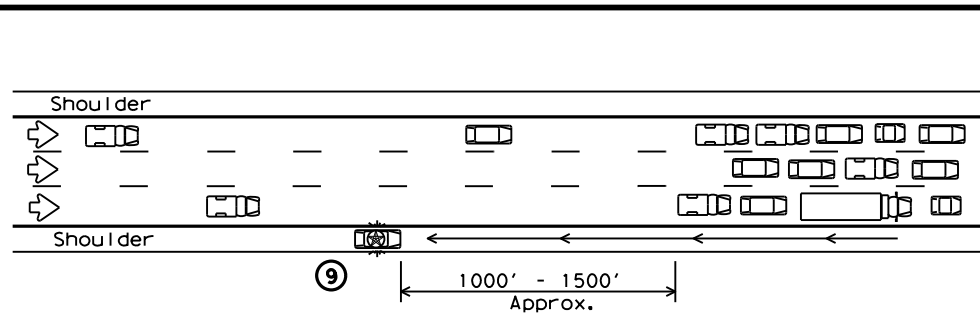
2 REDUCING SPEED OPERATION

- ⑤ Starting position of the LEOVs should be in advance of the most distant warning signs.
- ⑥ Once the LEOVs have achieved an abreast blocking formation while traveling toward the CP, emergency lights and headlights should be turned "ON". The LEOVs should maintain formation, not allow traffic to pass, and begin to decelerate. The LEOVs should continue to decelerate, giving the barrier vehicles opportunity to be staged upstream of the work space after traffic has cleared. The LEOVs should then continue to decelerate slowly until bringing traffic to a stop near the barrier vehicles.



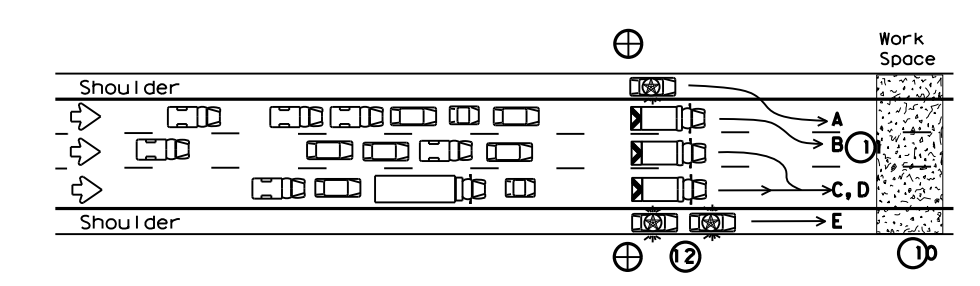
3 ALL TRAFFIC STOPPED AT CP

- ⑦ Once traffic is stopped the LEOVs should park on the shoulders with emergency lighting "ON" in order to provide law enforcement presence at the closure and keep shoulders blocked ahead of the work space. They should stay in radio contact with the WARNING LEOV.
- ⑧ The barrier vehicles should be parked, one in each lane, the parking brake set, with the high visibility flashing/oscillating/strobe lighting "ON," and the transmission in gear.



4 WARNING THE TRAFFIC QUEUE

- ⑨ The WARNING LEOV should proceed to the right shoulder of the roadway, with emergency lights on approximately 1000' in advance of the traffic queue (stopped traffic) as the queue develops. When determined that limited sight distance situations (crest of hills, sharp roadway curvature, etc.) may occur to motorists approaching the queue, the WARNING LEOV may proceed 1/4 mile or more in advance of the queue.



5 RELEASING STOPPED TRAFFIC

- ⑩ All equipment, materials, personnel, and other items should be removed from the roadway and maintain an adequate clear zone.
- ⑪ When the roadway is clear for traffic, the LEOV should proceed forward from the left shoulder followed by the barrier vehicles, from left to right, as shown alphabetically in the plan view.
- ⑫ The LEOV or LEOVs on the right shoulder may remain on the shoulder until satisfied that traffic is moving satisfactorily before merging or proceeding.
- ⑬ LEOVs and barrier vehicles should re-group at their respective starting positions if necessary.


LEGEND			
■	Channelizing Devices	⊕	Control Position (CP)
M	Portable Changeable Message Sign (PCMS)	⊞	Barrier Vehicle with Truck Mounted Attenuator
Ⓢ	Law Enforcement Officer's Vehicle (LEOV)	←	Traffic Flow

TYPICAL USAGE				
MOBILE	SHORT DURATION	SHORT TERM STATIONARY	INTERMEDIATE TERM STATIONARY	LONG TERM STATIONARY
	✓			

GENERAL NOTES

1. All traffic control devices shall conform with the latest edition of the Texas Manual on Uniform Traffic Control Devices (TMUTCD). Additional guidelines for traffic control devices may be found in the TMUTCD. Signs conflicting with the roadway closure sequence should be completely removed or covered. Additional traffic control devices may be required for closure of access roads, cross streets, exit and entrance ramps as directed by the Engineer.
2. Law enforcement officers and all workers involved should review and understand all procedures before the roadway closure sequence begins. Pre-work meetings may be held for this purpose. Local emergency services and media should have advance notification of roadway closure, expected dates and approximate times of closures.
3. Law enforcement officers shall be in uniform and have jurisdiction in the locale of the work area. An additional WARNING Law Enforcement Officer's Vehicle (LEOV) may be used on the median side of the roadway where median shoulder width permits (See sequence #9).
4. The roadway closure should be during off-peak hours, as shown in the plans, or as directed by the Engineer.
5. Work should be limited to approximately 15 minutes maximum duration unless otherwise directed by the Engineer based on existing roadway conditions. If the work is not complete within 15 minutes, or if the end of the traffic queue extends past the most distant advance warning signs, the work area should be cleared of all equipment, materials, personnel, and other items, and the roadway reopened. When the queue has dissipated and the traffic flow appears normal the roadway closure sequence may be repeated.
6. For traffic volumes greater than 1000 Passenger Cars Per Hour Per Lane (PCPHPL), or for roadway closures that exceed 15 minutes, see details elsewhere in the plan.
7. If traffic queues beyond the advance warning signs during one road closure sequence, the advance warning should be extended prior to repeating the road closure sequence. When possible, PCMS signs should be located in advance of the last available exit prior to the closure to allow motorists the choice of an alternate route.

THIS PLAN IS INTENDED TO BE USED AT LOCATIONS/TIMES WHEN TRAFFIC VOLUMES ARE LESS THAN 1000 PASSENGER CARS PER HOUR PER LANE.


Texas Department of Transportation
 Traffic Operations Division Standard

TRAFFIC CONTROL PLAN
 SHORT DURATION FREEWAY
 CLOSURE SEQUENCE

TCP (6-7) - 12

FILE: tcp6-7.dgn	DN: TxDOT	CK: TxDOT	DW: TxDOT	CK: TxDOT
©TxDOT February 1998	CONT	SECT	JOB	HIGHWAY
REVISIONS	0915	00	253	VARIOUS
1-97 8-12	DIST	COUNTY	SHEET NO.	
4-98	SAT	BEXAR	25	

DATE: 10/17/2022 1:54:46 PM
 FILE: I:\Traffic\Design\District PS&E Tracking\Plan Review\Bexar\0915-00-253 District Wide Non-Site Specific Traffic Signs\Barricade BC-21.dgn
 DISCLAIMER: The use of this standard is governed by the "Texas Engineering Practice Act". No warranty of any kind is made by TxDOT or any person who issues it. TxDOT assumes no responsibility for the conversion of this standard to any other format.

BARRICADE AND CONSTRUCTION (BC) STANDARD SHEETS GENERAL NOTES:

- The Barricade and Construction Standard Sheets (BC sheets) are intended to show typical examples for placement of temporary traffic control devices, construction pavement markings, and typical work zone signs. The information contained in these sheets meet or exceed the requirements shown in the "Texas Manual on Uniform Traffic Control Devices" (TMUTCD).
- The development and design of the Traffic Control Plan (TCP) is the responsibility of the Engineer.
- The Contractor may propose changes to the TCP that are signed and sealed by a licensed professional engineer for approval. The Engineer may develop, sign and seal Contractor proposed changes.
- The Contractor is responsible for installing and maintaining the traffic control devices as shown in the plans. The Contractor may not move or change the approximate location of any device without the approval of the Engineer.
- Geometric design of lane shifts and detours should, when possible, meet the applicable design criteria contained in manuals such as the American Association of State Highway and Transportation Officials (AASHTO), "A Policy on Geometric Design of Highways and Streets," the TxDOT "Roadway Design Manual" or engineering judgment.
- When projects abut, the Engineer(s) may omit the END ROAD WORK, TRAFFIC FINES DOUBLE, and other advance warning signs if the signing would be redundant and the work areas appear continuous to the motorists. If the adjacent project is completed first, the Contractor shall erect the necessary warning signs as shown on these sheets, the TCP sheets or as directed by the Engineer. The BEGIN ROAD WORK NEXT X MILES sign shall be revised to show appropriate work zone distance.
- The Engineer may require duplicate warning signs on the median side of divided highways where median width will permit and traffic volumes justify the signing.
- All signs shall be constructed in accordance with the details found in the "Standard Highway Sign Designs for Texas," latest edition. Sign details not shown in this manual shall be shown in the plans or the Engineer shall provide a detail to the Contractor before the sign is manufactured.
- The temporary traffic control devices shown in the illustrations of the BC sheets are examples. As necessary, the Engineer will determine the most appropriate traffic control devices to be used.
- Where highway construction or maintenance work is being undertaken, other than mobile operations as defined by the Texas Manual on Uniform Traffic Control Devices, CSJ limit signs are required. CSJ limit signs are shown on BC(2). The OBEY WARNING SIGNS STATE LAW sign, STAY ALERT TALK OR TEXT LATER and the WORK ZONE TRAFFIC FINES DOUBLE sign with plaque shall be erected in advance of the CSJ limits. The BEGIN ROAD WORK NEXT X MILES, CONTRACTOR and END ROAD WORK signs shall be erected at or near the CSJ limits. For mobile operations, CSJ limit signs are not required.
- Traffic control devices should be in place only while work is actually in progress or a definite need exists.
- The Engineer has the final decision on the location of all traffic control devices.
- Inactive equipment and work vehicles, including workers' private vehicles must be parked away from travel lanes. They should be as close to the right-of-way line as possible, or located behind a barrier or guardrail, or as approved by the Engineer.

WORKER SAFETY NOTES:


- Workers on foot who are exposed to traffic or to construction equipment within the right-of-way shall wear high-visibility safety apparel meeting the requirements of ISEA "American National Standard for High-Visibility Apparel," or equivalent revisions, and labeled as ANSI 107-2004 standard performance for Class 2 or 3 risk exposure. Class 3 garments should be considered for high traffic volume work areas or night time work.
- Except in emergency situations, flagger stations shall be illuminated when flagging is used at night.

COMPLIANT WORKZONE TRAFFIC CONTROL DEVICES

- Only pre-qualified products shall be used. The "Compliant Work Zone Traffic Control Devices List" (CWZTCD) describes pre-qualified products and their sources.
- Work zone traffic control devices shall be compliant with the Manual for Assessing safety Hardware (MASH).

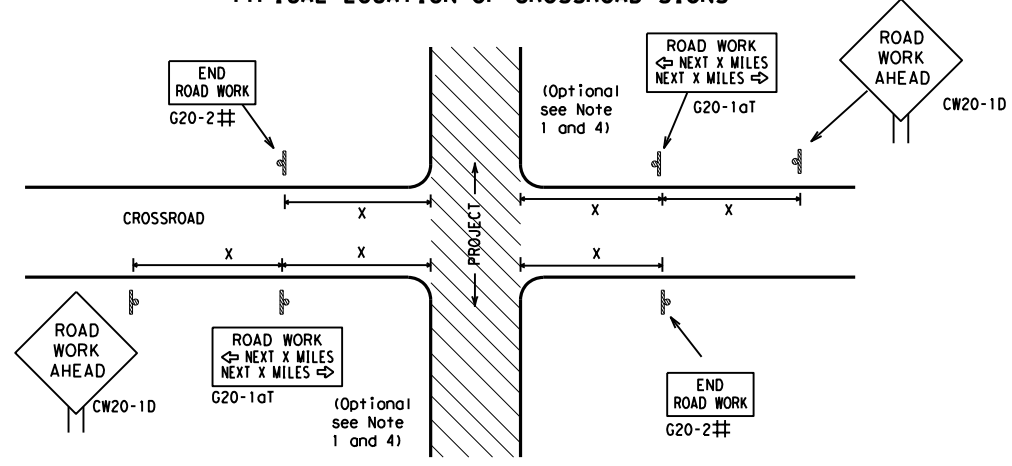
THE DOCUMENTS BELOW CAN BE FOUND ON-LINE AT http://www.txdot.gov
COMPLIANT WORK ZONE TRAFFIC CONTROL DEVICES LIST (CWZTCD)
DEPARTMENTAL MATERIAL SPECIFICATIONS (DMS)
MATERIAL PRODUCER LIST (MPL)
ROADWAY DESIGN MANUAL - SEE "MANUALS (ONLINE MANUALS) "
STANDARD HIGHWAY SIGN DESIGNS FOR TEXAS (SHSD)
TEXAS MANUAL ON UNIFORM TRAFFIC CONTROL DEVICES (TMUTCD)
TRAFFIC ENGINEERING STANDARD SHEETS

SHEET 1 OF 12

 Texas Department of Transportation		Traffic Safety Division Standard	
BARRICADE AND CONSTRUCTION GENERAL NOTES AND REQUIREMENTS			
BC (1) - 21			
FILE: bc-21.dgn	DN: TxDOT	CK: TxDOT	DW: TxDOT
© TxDOT November 2002	CONT	SECT	HIGHWAY
REVISIONS		0915 00	253
4-03 7-13			
9-07 8-14			
5-10 5-21			
DIST	COUNTY	SHEET NO.	
SAT	BEXAR	26	

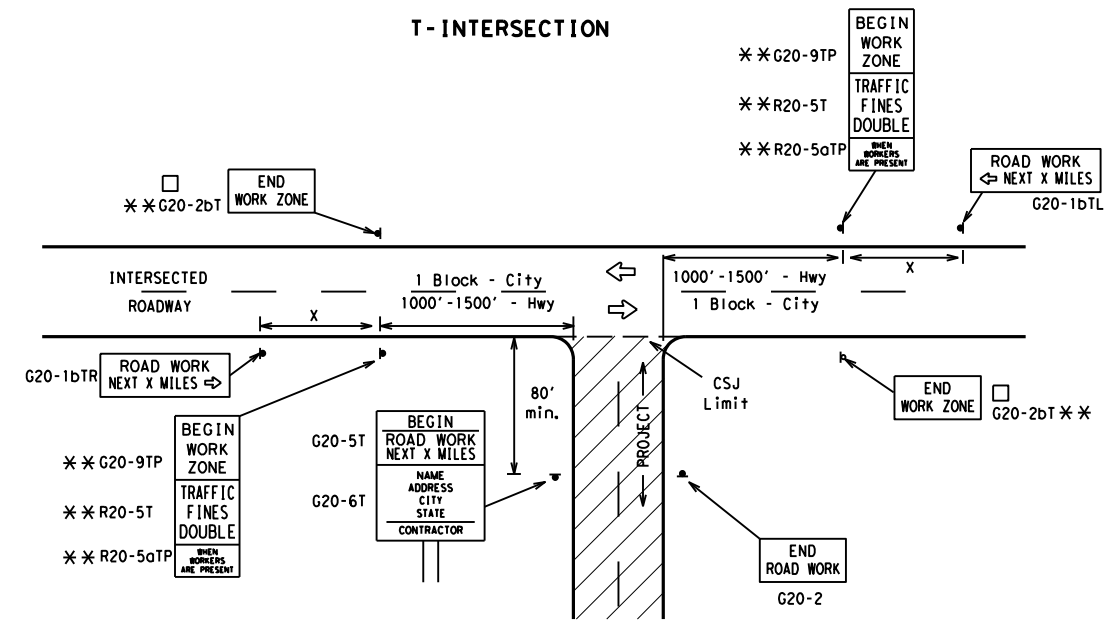
DATE: 10/17/2022 1:54:46 PM
 FILE: I:\Traffic\Design\District PS&E Tracking\Plan Review\Bexar\0915-00-253\District\BC(2)-21.dgn
 The use of this standard is governed by the "Texas Engineering Practice Act". No warranty of any kind is made by TxDOT for any purpose whatsoever. TxDOT assumes no responsibility for the conversion of this standard to a non-SI unit system.

TYPICAL LOCATION OF CROSSROAD SIGNS



- ## May be mounted on back of "ROAD WORK AHEAD" (CW20-1D) sign with approval of Engineer. (See note 2 below)
- The typical minimum signing on a crossroad approach should be a "ROAD WORK AHEAD" (CW20-1D) sign and a (G20-2) "END ROAD WORK" sign, unless noted otherwise in plans.
 - The Engineer may use the reduced size 36" x 36" ROAD WORK AHEAD (CW20-1D) sign mounted back to back with the reduced size 36" x 18" "END ROAD WORK" (G20-2) sign on low volume crossroads (see Note 4 under "Typical Construction Warning Sign Size and Spacing"). See the "Standard Highway Sign Designs for Texas" manual for sign details. The Engineer may omit the advance warning signs on low volume crossroads. The Engineer will determine whether a road is low volume as per TMUTCD Part 5. This information shall be shown in the plans.
 - Based on existing field conditions, the Engineer/Inspector may require additional signs such as FLAGGER AHEAD, LOOSE GRAVEL, or other appropriate signs. When additional signs are required, these signs will be considered part of the minimum requirements. The Engineer/Inspector will determine the proper location and spacing of any sign not shown on the BC sheets, Traffic Control Plan sheets or the Work Zone Standard Sheets.
 - The "ROAD WORK NEXT X MILES" (G20-1aT) sign shall be required at high volume crossroads to advise motorists of the length of construction in either direction from the intersection. The Engineer will determine whether a roadway is considered high volume.
 - Additional traffic control devices may be shown elsewhere in the plans for higher volume crossroads.
 - When work occurs in the intersection area, appropriate traffic control devices, as shown elsewhere in the plans or as determined by the Engineer/Inspector, shall be in place.

T-INTERSECTION



CSJ LIMITS AT T-INTERSECTION

- The Engineer will determine the types and location of any additional traffic control devices, such as a flagger and accompanying signs, or other signs, that should be used when work is being performed at or near an intersection.
- If construction closes the road at a T-intersection, the Contractor shall place the "CONTRACTOR NAME" (G20-6T) sign behind the Type 3 Barricades for the road closure (see BC(10) also). The "ROAD WORK NEXT X MILES" left arrow (G20-1bTL) and "ROAD WORK NEXT X MILES" right arrow (G20-1bTR) signs shall be replaced by the detour signing called for in the plans.

TYPICAL CONSTRUCTION WARNING SIGN SIZE AND SPACING^{1,5,6}

Sign Number or Series	SIZE		SPACING	
	Conventional Road	Expressway/Freeway	Posted Speed MPH	Sign Δ Spacing "x" Feet (Apprx.)
CW20 ⁴	48" x 48"	48" x 48"	30	120
CW21			35	160
CW22			40	240
CW23			45	320
CW25			50	400
CW1, CW2, CW7, CW8, CW9, CW11, CW14	36" x 36"	48" x 48"	55	500 ²
CW3, CW4, CW5, CW6, CW8-3, CW10, CW12	48" x 48"	48" x 48"	60	600 ²
			65	700 ²
			70	800 ²
			75	900 ²
			80	1000 ²
			*	* ³

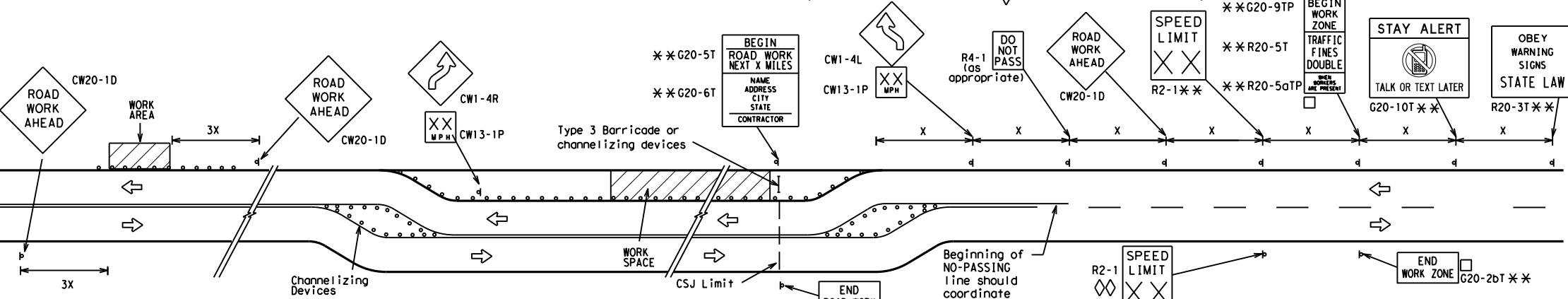
* For typical sign spacings on divided highways, expressways and freeways, see Part 6 of the "Texas Manual on Uniform Traffic Control Devices" (TMUTCD) typical application diagrams or TCP Standard Sheets.

Δ Minimum distance from work area to first Advance Warning sign nearest the work area and/or distance between each additional sign.

GENERAL NOTES

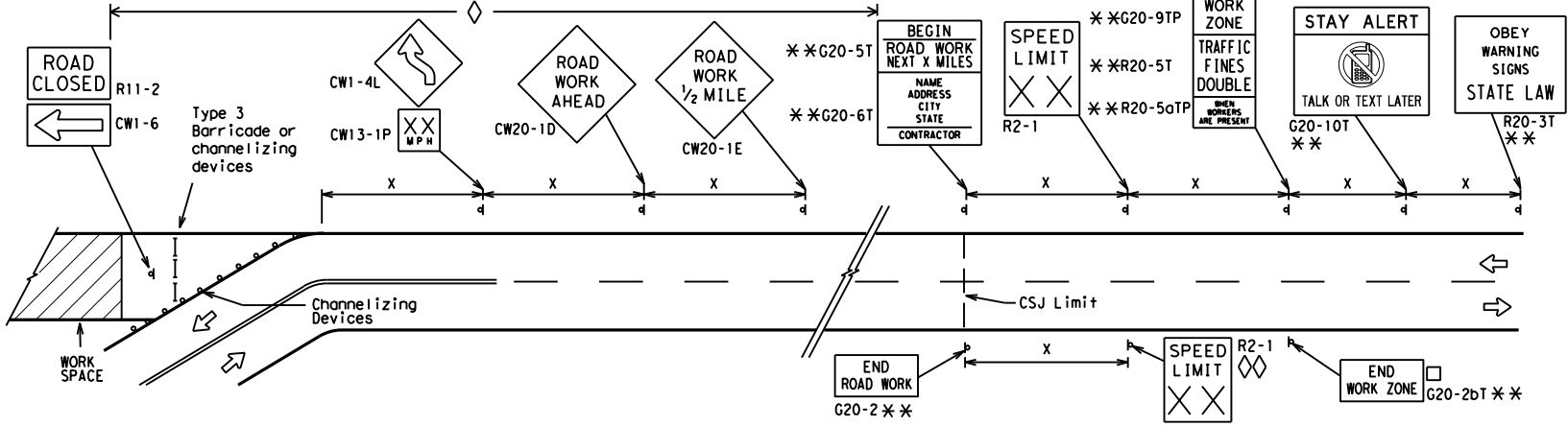
- Special or larger size signs may be used as necessary.
- Distance between signs should be increased as required to have 1500 feet advance warning.
- Distance between signs should be increased as required to have 1/2 mile or more advance warning.
- 36" x 36" "ROAD WORK AHEAD" (CW20-1D) signs may be used on low volume crossroads at the discretion of the Engineer as per TMUTCD Part 5. See Note 2 under "Typical Location of Crossroad Signs".
- Only diamond shaped warning sign sizes are indicated.
- See sign size listing in "TMUTCD", Sign Appendix or the "Standard Highway Sign Designs for Texas" manual for complete list of available sign design sizes.

WORK AREAS IN MULTIPLE LOCATIONS WITHIN CSJ LIMITS



When extended distances occur between minimal work spaces, the Engineer/Inspector should ensure additional "ROAD WORK AHEAD" (CW20-1D) signs are placed in advance of these work areas to remind drivers they are still within the project limits. See the applicable TCP sheets for exact location and spacing of signs and channelizing devices.

SAMPLE LAYOUT OF SIGNING FOR WORK BEGINNING DOWNSTREAM OF THE CSJ LIMITS



NOTES

- The Contractor shall determine the appropriate distance to be placed on the G20-1 series signs and "BEGIN ROAD WORK NEXT X MILES" (G20-5T) sign for each specific project. This distance shall replace the "x" and shall be rounded to the nearest whole mile with the approval of the Engineer. No decimals shall be used.
- The "BEGIN WORK ZONE" (G20-9TP) and "END WORK ZONE" (G20-2bT) shall be used as shown on the sample layout when advance signs are required outside the CSJ Limits. They inform the motorist of entering or leaving a part of the work zone lying outside the CSJ Limits where traffic fines may double if workers are present.
 - CSJ limit signing is required for highway construction and maintenance work, with the exception of mobile operations.
 - Area for placement of "ROAD WORK AHEAD" (CW20-1D) sign and other signs or devices as called for on the Traffic Control Plan.
 - Contractor will install a regulatory speed limit sign at the end of the work zone.

LEGEND

—	Type 3 Barricade
○ ○ ○	Channelizing Devices
■	Sign
X	See Typical Construction Warning Sign Size and Spacing chart or the TMUTCD for sign spacing requirements.

SHEET 2 OF 12



BARRICADE AND CONSTRUCTION PROJECT LIMIT

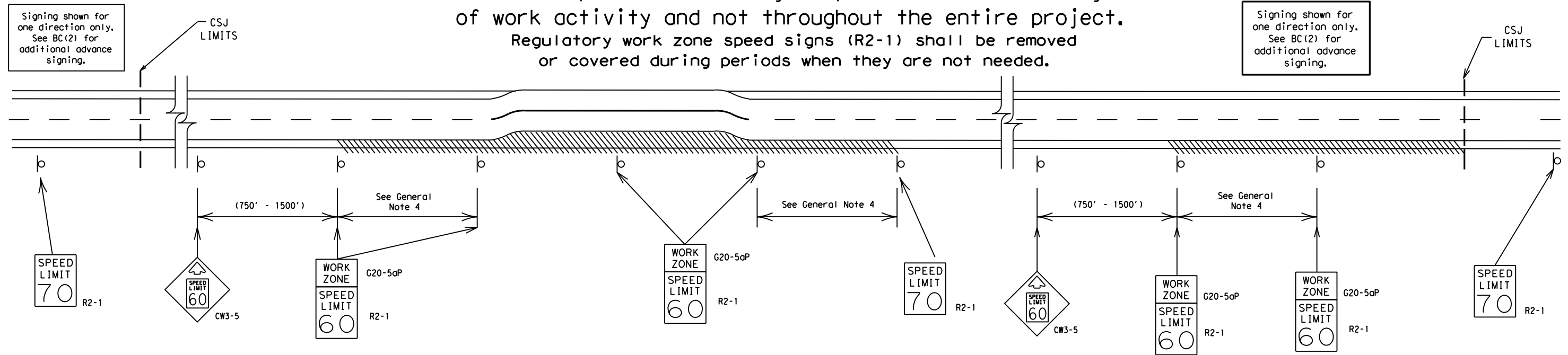
BC(2)-21

FILE: bc-21.dgn	DN: TxDOT	CK: TxDOT	DW: TxDOT	CK: TxDOT
© TxDOT November 2002	CONT	SECT	JOB	HIGHWAY
REVISIONS	091500		253	VARIOUS
9-07 8-14	DIST	COUNTY		SHEET NO.
7-13 5-21	SAT	BEXAR		27

TYPICAL APPLICATION OF WORK ZONE SPEED LIMIT SIGNS

Work zone speed limits shall be regulatory, established in accordance with the "Procedures for Establishing Speed Zones," and approved by the Texas Transportation Commission, or by City Ordinance when within Incorporated City Limits.

Reduced speeds should only be posted in the vicinity of work activity and not throughout the entire project. Regulatory work zone speed signs (R2-1) shall be removed or covered during periods when they are not needed.



GUIDANCE FOR USE:

LONG/INTERMEDIATE TERM WORK ZONE SPEED LIMITS

This type of work zone speed limit should be included on the design of the traffic control plans when restricted geometrics with a lower design speed are present in the work zone and modification of the geometrics to a higher design speed is not feasible.

Long/Intermediate Term Work Zone Speed Limit signs, when approved as described above, should be posted and visible to the motorist when work activity is present. Work activity may also be defined as a change in the roadway that requires a reduced speed for motorists to safely negotiate the work area, including:

- rough road or damaged pavement surface
- substantial alteration of roadway geometrics (diversions)
- construction detours
- grade
- width
- other conditions readily apparent to the driver

As long as any of these conditions exist, the work zone speed limit signs should remain in place.

SHORT TERM WORK ZONE SPEED LIMITS

This type of work zone speed limit may be included on the design of the traffic control plans when workers or equipment are not behind concrete barrier, when work activity is within 10 feet of the traveled way or actually in the traveled way.

Short Term Work Zone Speed Limit signs should be posted and visible to the motorists only when work activity is present. When work activity is not present, signs shall be removed or covered. (See Removing or Covering on BC(4)).

GENERAL NOTES

- Regulatory work zone speed limits should be used only for sections of construction projects where speed control is of major importance.
- Regulatory work zone speed limit signs shall be placed on supports at a 7 foot minimum mounting height.
- Speed zone signs are illustrated for one direction of travel and are normally posted for each direction of travel.
- Frequency of work zone speed limit signs should be:

40 mph and greater	0.2 to 2 miles
35 mph and less	0.2 to 1 mile
- Regulatory speed limit signs shall have black legend and border on a white reflective background (See "Reflective Sheeting" on BC(4)).
- Fabrication, erection and maintenance of the "ADVANCE SPEED LIMIT" (CW3-5) sign, "WORK ZONE" (G20-5aP) plaque and the "SPEED LIMIT" (R2-1) signs shall not be paid for directly, but shall be considered subsidiary to Item 502.
- Turning signs from view, laying signs over or down will not be allowed, unless as otherwise noted under "REMOVING OR COVERING" on BC(4).
- Techniques that may help reduce traffic speeds include but are not limited to:
 - Law enforcement.
 - Flagger stationed next to sign.
 - Portable changeable message sign (PCMS).
 - Low-power (drone) radar transmitter.
 - Speed monitor trailers or signs.
- Speeds shown on details above are for illustration only. Work Zone Speed Limits should only be posted as approved for each project.
- For more specific guidance concerning the type of work, work zone conditions and factors impacting allowable regulatory construction speed zone reduction see TxDOT form #1204 in the TxDOT e-form system.

DISCLAIMER: The use of this standard is governed by the "Texas Engineering Practice Act". No warranty of any kind is made by TxDOT for any purpose whatsoever. TxDOT assumes no responsibility for the conversion of units or the use of this standard.

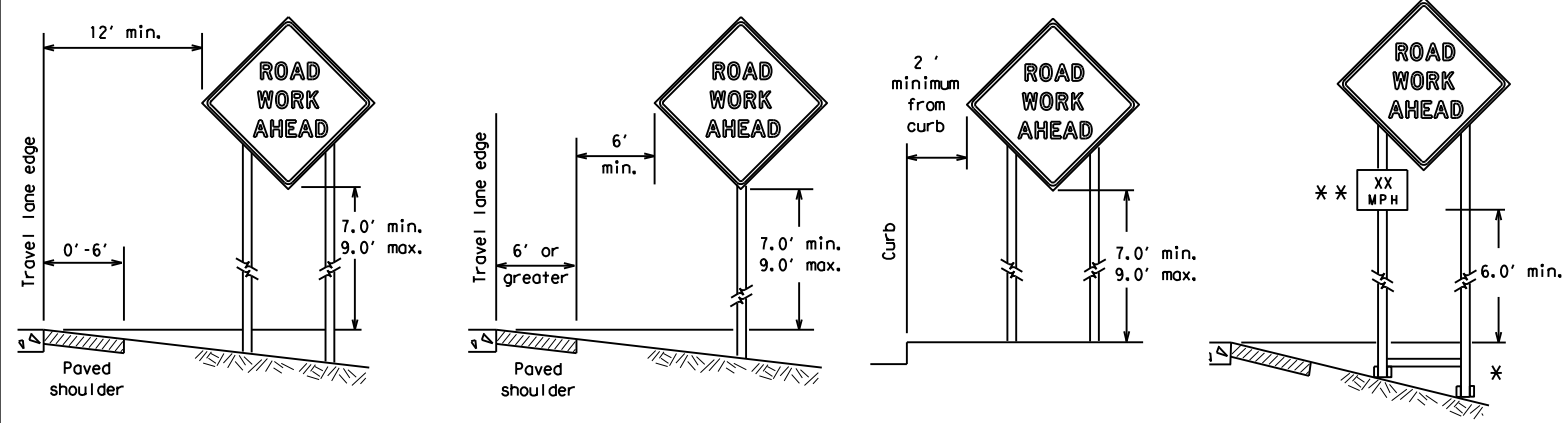
DATE: 10/17/2022 1:54:46 PM
 FILE: I:\Traffic\Design\District PS&E Tracking\Plan_Review\Bexar\0915-00-253\BARRICADE AND CONSTRUCTION WORK ZONE SPEED LIMIT.dgn

SHEET 3 OF 12

		Traffic Safety Division Standard	
<h2>BARRICADE AND CONSTRUCTION WORK ZONE SPEED LIMIT</h2>			
<h3>BC (3) - 21</h3>			
FILE:	bc-21.dgn	DW:	TxDOT
© TxDOT	November 2002	CON:	0915 00
REVISIONS		SECT:	253
9-07	8-14	JOB:	VARIOUS
7-13	5-21	DIST:	BEXAR
		COUNTY:	
		SHEET NO.:	28

DISCLAIMER: The use of this standard is governed by the "Texas Engineering Practice Act". No warranty of any kind is made by TxDOT for any purpose whatsoever. TxDOT assumes no responsibility for the conversion of this standard to other formats or for incorrect results or damages resulting from its use.

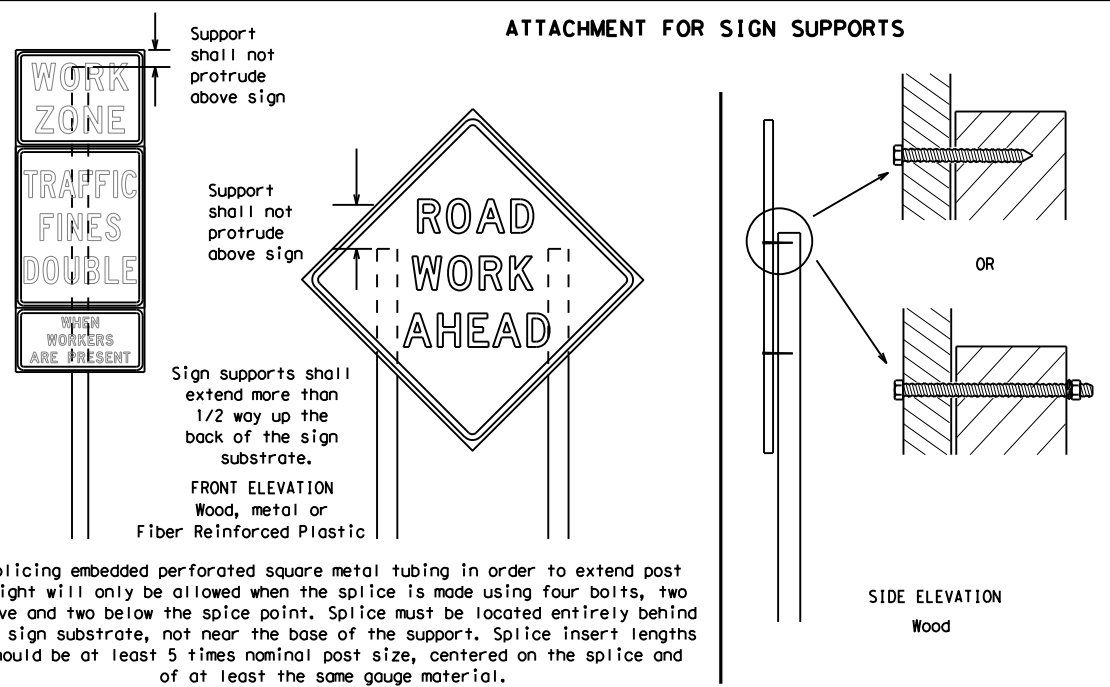
TYPICAL MINIMUM CLEARANCES FOR LONG TERM AND INTERMEDIATE TERM SIGNS



* When placing skid supports on unlevel ground, the leg post lengths must be adjusted so the sign appears straight and plumb. Objects shall NOT be placed under skids as a means of leveling.

** When plaques are placed on dual-leg supports, they should be attached to the upright nearest the travel lane. Supplemental plaques (advisory or distance) should not cover the surface of the parent sign.

ATTACHMENT FOR SIGN SUPPORTS



Splicing embedded perforated square metal tubing in order to extend post height will only be allowed when the splice is made using four bolts, two above and two below the splice point. Splice must be located entirely behind the sign substrate, not near the base of the support. Splice insert lengths should be at least 5 times nominal post size, centered on the splice and of at least the same gauge material.

GENERAL NOTES FOR WORK ZONE SIGNS

- Contractor shall install and maintain signs in a straight and plumb condition and/or as directed by the Engineer.
- Wooden sign posts shall be painted white.
- Barricades shall NOT be used as sign supports.
- All signs shall be installed in accordance with the plans or as directed by the Engineer. Signs shall be used to regulate, warn, and guide the traveling public safely through the work zone.
- The Contractor may furnish either the sign design shown in the plans or in the "Standard Highway Sign Designs for Texas" (SHSD). The Engineer/Inspector may require the Contractor to furnish other work zone signs that are shown in the TMUTCD but may have been omitted from the plans. Any variation in the plans shall be documented by written agreement between the Engineer and the Contractor's Responsible Person. All changes must be documented in writing before being implemented. This can include documenting the changes in the Inspector's TxDOT diary and having both the Inspector and Contractor initial and date the agreed upon changes.
- The Contractor shall furnish sign supports listed in the "Compliant Work Zone Traffic Control Device List" (CWZTCD) for small roadside signs. Supports for temporary large roadside signs shall meet the requirements detailed on the Temporary Large Roadside Signs (TLRS) standard sheets. The Contractor shall install the sign support in accordance with the manufacturer's recommendations. If there is a question regarding installation procedures, the Contractor shall furnish the Engineer a copy of the manufacturer's installation recommendations so the Engineer can verify the correct procedures are being followed.
- The Contractor is responsible for installing signs on approved supports and replacing signs with damaged or cracked substrates and/or damaged or marred reflective sheeting as directed by the Engineer/Inspector.
- Identification markings may be shown only on the back of the sign substrate. The maximum height of letters and/or company logos used for identification shall be 1 inch.
- The Contractor shall replace damaged wood posts. New or damaged wood sign posts shall not be spliced.

DURATION OF WORK (as defined by the "Texas Manual on Uniform Traffic Control Devices" Part 6)

- The types of sign supports, sign mounting height, the size of signs, and the type of sign substrates can vary based on the type of work being performed. The Engineer is responsible for selecting the appropriate size sign for the type of work being performed. The Contractor is responsible for ensuring the sign support, sign mounting height and substrate meets manufacturer's recommendations in regard to crashworthiness and duration of work requirements.
 - Long-term stationary - work that occupies a location more than 3 days.
 - Intermediate-term stationary - work that occupies a location more than one daylight period up to 3 days, or nighttime work lasting more than one hour.
 - Short-term stationary - daytime work that occupies a location for more than 1 hour in a single daylight period.
 - Short, duration - work that occupies a location up to 1 hour.
 - Mobile - work that moves continuously or intermittently (stopping for up to approximately 15 minutes.)

SIGN MOUNTING HEIGHT

- The bottom of Long-term/Intermediate-term signs shall be at least 7 feet, but not more than 9 feet, above the paved surface, except as shown for supplemental plaques mounted below other signs.
- The bottom of Short-term/Short Duration signs shall be a minimum of 1 foot above the pavement surface but no more than 2 feet above the ground.
- Long-term/Intermediate-term Signs may be used in lieu of Short-term/Short Duration signing.
- Short-term/Short Duration signs shall be used only during daylight and shall be removed at the end of the workday or raised to appropriate Long-term/Intermediate sign height.
- Regulatory signs shall be mounted at least 7 feet, but not more than 9 feet, above the paved surface regardless of work duration.

SIZE OF SIGNS

- The Contractor shall furnish the sign sizes shown on BC (2) unless otherwise shown in the plans or as directed by the Engineer.

SIGN SUBSTRATES

- The Contractor shall ensure the sign substrate is installed in accordance with the manufacturer's recommendations for the type of sign support that is being used. The CWZTCD lists each substrate that can be used on the different types and models of sign supports.
- "Mesh" type materials are NOT an approved sign substrate, regardless of the tightness of the weave.
- All wooden individual sign panels fabricated from 2 or more pieces shall have one or more plywood cleat, 1/2" thick by 6" wide, fastened to the back of the sign and extending fully across the sign. The cleat shall be attached to the back of the sign using wood screws that do not penetrate the face of the sign panel. The screws shall be placed on both sides of the splice and spaced at 6" centers. The Engineer may approve other methods of splicing the sign face.

REFLECTIVE SHEETING

- All signs shall be retroreflective and constructed of sheeting meeting the color and retro-reflectivity requirements of DMS-8300 for rigid signs or DMS-8310 for roll-up signs. The web address for DMS specifications is shown on BC(1).
- White sheeting, meeting the requirements of DMS-8300 Type A, shall be used for signs with a white background.
- Orange sheeting, meeting the requirements of DMS-8300 Type B_{FL} or Type C_{FL}, shall be used for rigid signs with orange backgrounds.

SIGN LETTERS

- All sign letters and numbers shall be clear, and open rounded type uppercase alphabet letters as approved by the Federal Highway Administration (FHWA) and as published in the "Standard Highway Sign Design for Texas" manual. Signs, letters and numbers shall be of first class workmanship in accordance with Department Standards and Specifications.

REMOVING OR COVERING

- When sign messages may be confusing or do not apply, the signs shall be removed or completely covered.
- Long-term stationary or intermediate stationary signs installed on square metal tubing may be turned away from traffic 90 degrees when the sign message is not applicable. This technique may not be used for signs installed in the median of divided highways or near any intersections where the sign may be seen from approaching traffic.
- Signs installed on wooden skids shall not be turned at 90 degree angles to the roadway. These signs should be removed or completely covered when not required.
- When signs are covered, the material used shall be opaque, such as heavy mil black plastic, or other materials which will cover the entire sign face and maintain their opaque properties under automobile headlights at night, without damaging the sign sheeting.
- Burlap shall NOT be used to cover signs.
- Duct tape or other adhesive material shall NOT be affixed to a sign face.
- Signs and anchor stubs shall be removed and holes backfilled upon completion of work.

SIGN SUPPORT WEIGHTS

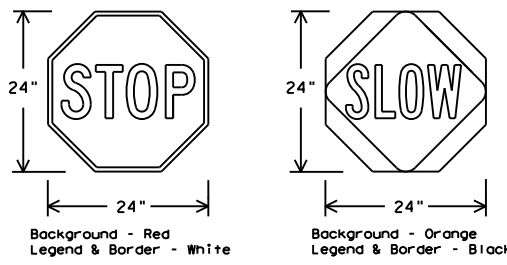
- Where sign supports require the use of weights to keep from turning over, the use of sandbags with dry, cohesionless sand should be used.
- The sandbags will be tied shut to keep the sand from spilling and to maintain a constant weight.
- Rock, concrete, iron, steel or other solid objects shall not be permitted for use as sign support weights.
- Sandbags should weigh a minimum of 35 lbs and a maximum of 50 lbs.
- Sandbags shall be made of a durable material that tears upon vehicular impact. Rubber (such as tire inner tubes) shall NOT be used.
- Rubber ballasts designed for channelizing devices should not be used for ballast on portable sign supports. Sign supports designed and manufactured with rubber bases may be used when shown on the CWZTCD list.
- Sandbags shall only be placed along or laid over the base supports of the traffic control device and shall not be suspended above ground level or hung with rope, wire, chains or other fasteners. Sandbags shall be placed along the length of the skids to weigh down the sign support.
- Sandbags shall NOT be placed under the skid and shall not be used to level sign supports placed on slopes.

FLAGS ON SIGNS

- Flags may be used to draw attention to warning signs. When used, the flag shall be 16 inches square or larger and shall be orange or fluorescent red-orange in color. Flags shall not be allowed to cover any portion of the sign face.

STOP/SLOW PADDLES

- STOP/SLOW paddles are the primary method to control traffic by flaggers. The STOP/SLOW paddle size should be 24" x 24".
- STOP/SLOW paddles shall be retroreflective when used at night.
- STOP/SLOW paddles may be attached to a staff with a minimum length of 6' to the bottom of the sign.
- Any lights incorporated into the STOP or SLOW paddle faces shall only be as specifically described in Section 6E.03 Hand Signaling Devices in the TMUTCD.



SHEETING REQUIREMENTS (WHEN USED AT NIGHT)		
USAGE	COLOR	SIGN FACE MATERIAL
BACKGROUND	RED	TYPE B OR C SHEETING
BACKGROUND	ORANGE	TYPE B _{FL} OR C _{FL} SHEETING
LEGEND & BORDER	WHITE	TYPE B OR C SHEETING
LEGEND & BORDER	BLACK	ACRYLIC NON-REFLECTIVE FILM

CONTRACTOR REQUIREMENTS FOR MAINTAINING PERMANENT SIGNS WITHIN THE PROJECT LIMITS

- Permanent signs are used to give notice of traffic laws or regulations, call attention to conditions that are potentially hazardous to traffic operations, show route designations, destinations, directions, distances, services, points of interest, and other geographical, recreational, specific service (LOGO), or cultural information. Drivers proceeding through a work zone need the same, if not better route guidance as normally installed on a roadway without construction.
- When permanent regulatory or warning signs conflict with work zone conditions, remove or cover the permanent signs until the permanent sign message matches the roadway condition. For details for covering large guide signs see the TS-CD standard.
- When existing permanent signs are moved and relocated due to construction purposes, they shall be visible to motorists at all times.
- If existing signs are to be relocated on their original supports, they shall be installed on crashworthy bases as shown on the SMD Standard sheets. The signs shall meet the required mounting heights shown on the BC Sheets or the SMD Standards. This work should be paid for under the appropriate pay item for relocating existing signs.
- If permanent signs are to be removed and relocated using temporary supports, the Contractor shall use crashworthy supports as shown on the BC standard sheets, TLRS standard sheets or the CWZTCD list. The signs shall meet the required mounting heights shown on the BC, or the SMD standard sheets during construction. This work should be paid for under the appropriate pay item for relocating existing signs.
- Any sign or traffic control device that is struck or damaged by the Contractor or his/her construction equipment shall be replaced as soon as possible by the Contractor to ensure proper guidance for the motorists. This will be subsidiary to Item 502.



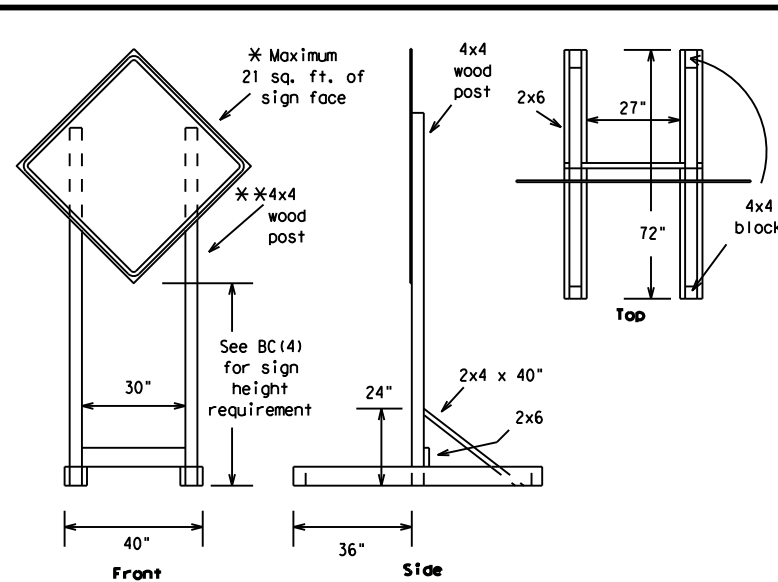
BARRICADE AND CONSTRUCTION TEMPORARY SIGN NOTES

BC (4) - 21

FILE:	bc-21.dgn	DN:	TxDOT	CR:	TxDOT	OW:	TxDOT	CK:	TxDOT
© TxDOT	November 2002	CONT	SECT	JOB	HIGHWAY				
REVISIONS		0915	00	253	VARIOUS				
9-07	8-14	DIST	COUNTY	SHEET NO.					
7-13	5-21	SAT	BEXAR	29					

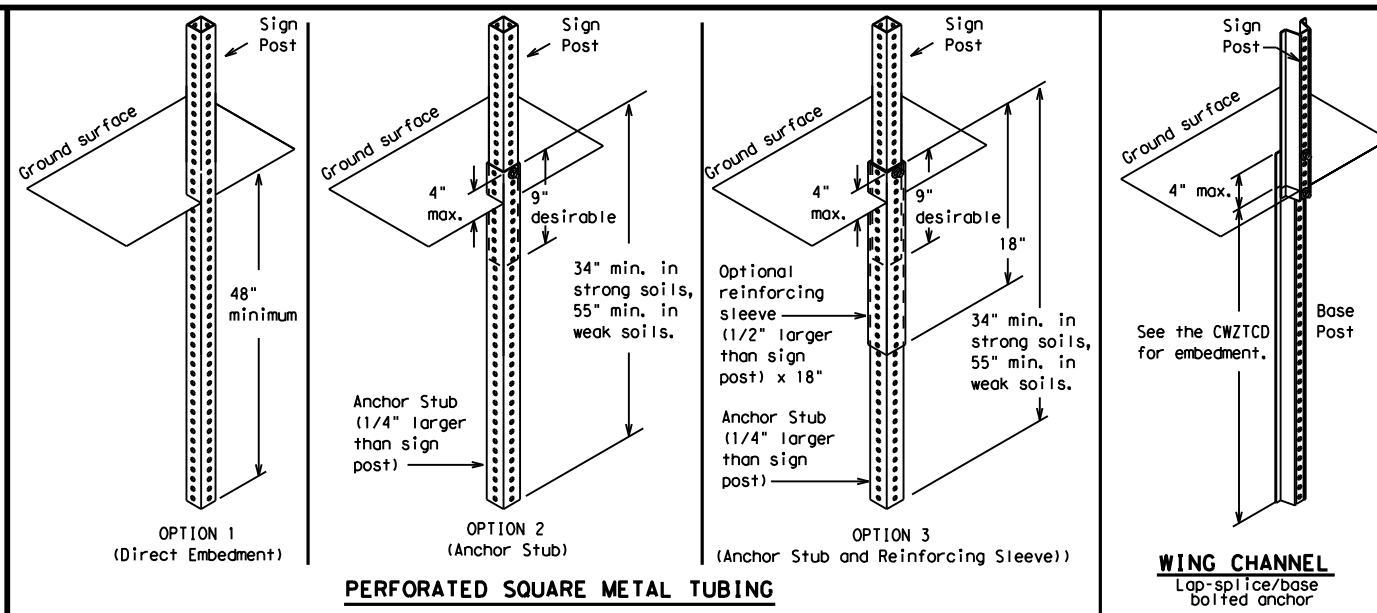
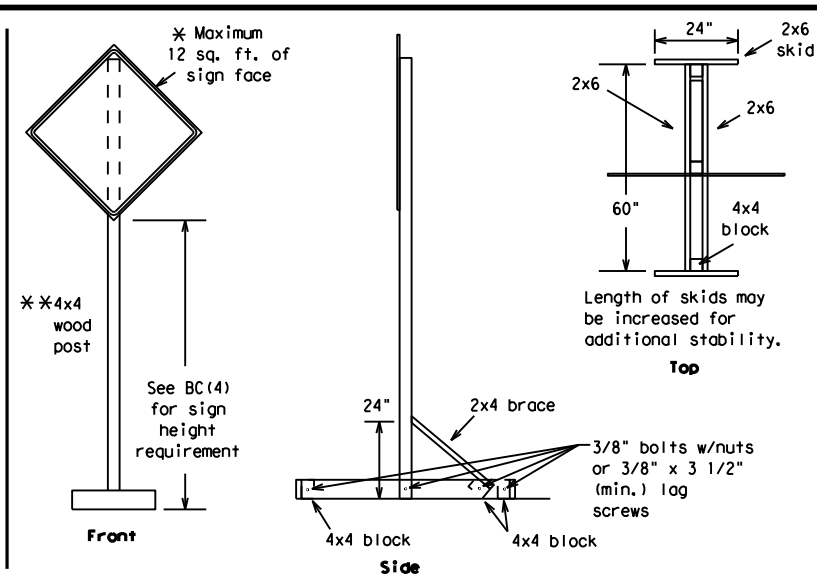
DATE: 10/17/2022 1:54:47 PM
FILE: I:\Traffic\Design\District PS&E Tracking\Plan Review\Bexar\0915-00-253 (Districtwide Non-Site Specific Traffic Signals)\Standards\BC(4)-21.dgn

DATE: 10/17/2022 1:54:47 PM
 FILE: I:\Traffic\Design\District PS&E Tracking\Plan_Review\Bexar\0915-00-253 (Districtwide Non-Site Specific Traffic Signals)\Standard\BC(5)-21.dgn
 DISCLAIMER: The use of this standard is governed by the "Texas Engineering Practice Act". No warranty of any kind is made by TxDOT for any purpose whatsoever. TxDOT assumes no responsibility for the conversion of this standard to other formats for use in other software applications.



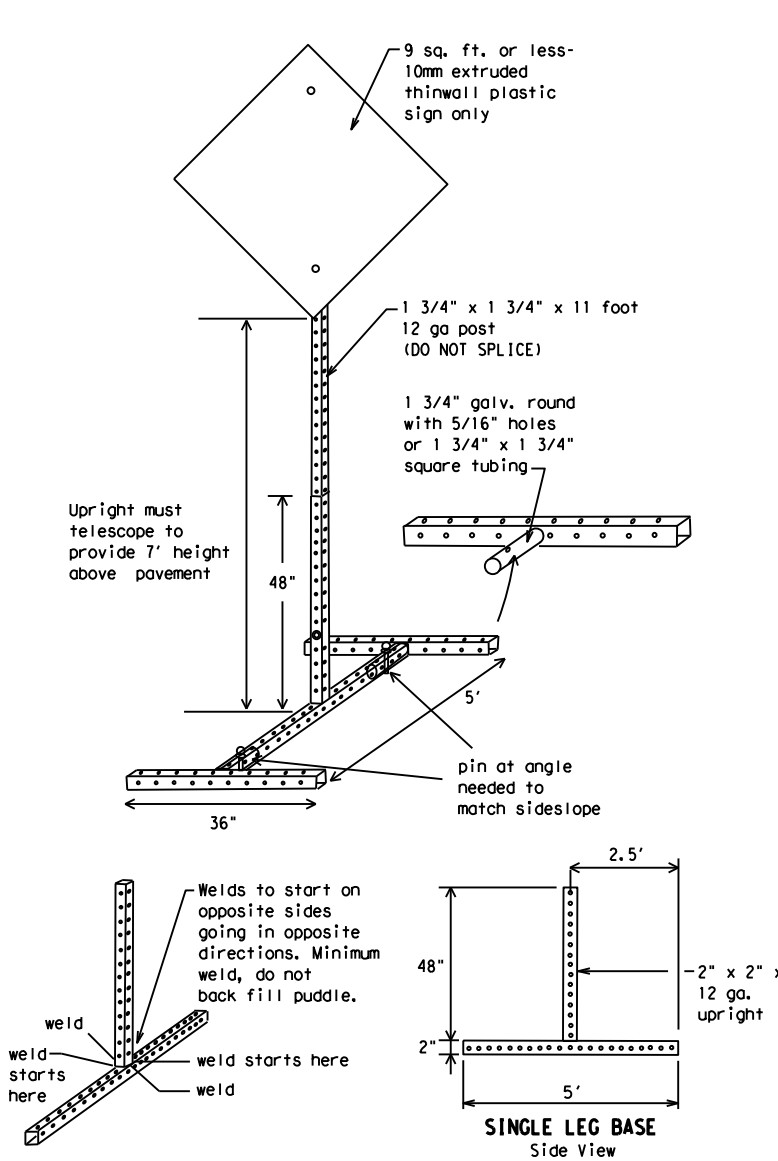
SKID MOUNTED WOOD SIGN SUPPORTS

* LONG/INTERMEDIATE TERM STATIONARY - PORTABLE SKID MOUNTED SIGN SUPPORTS



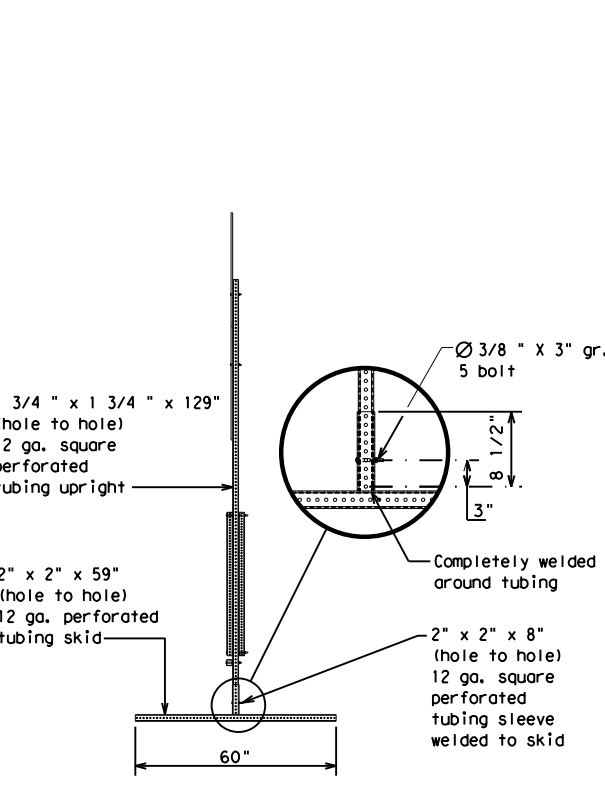
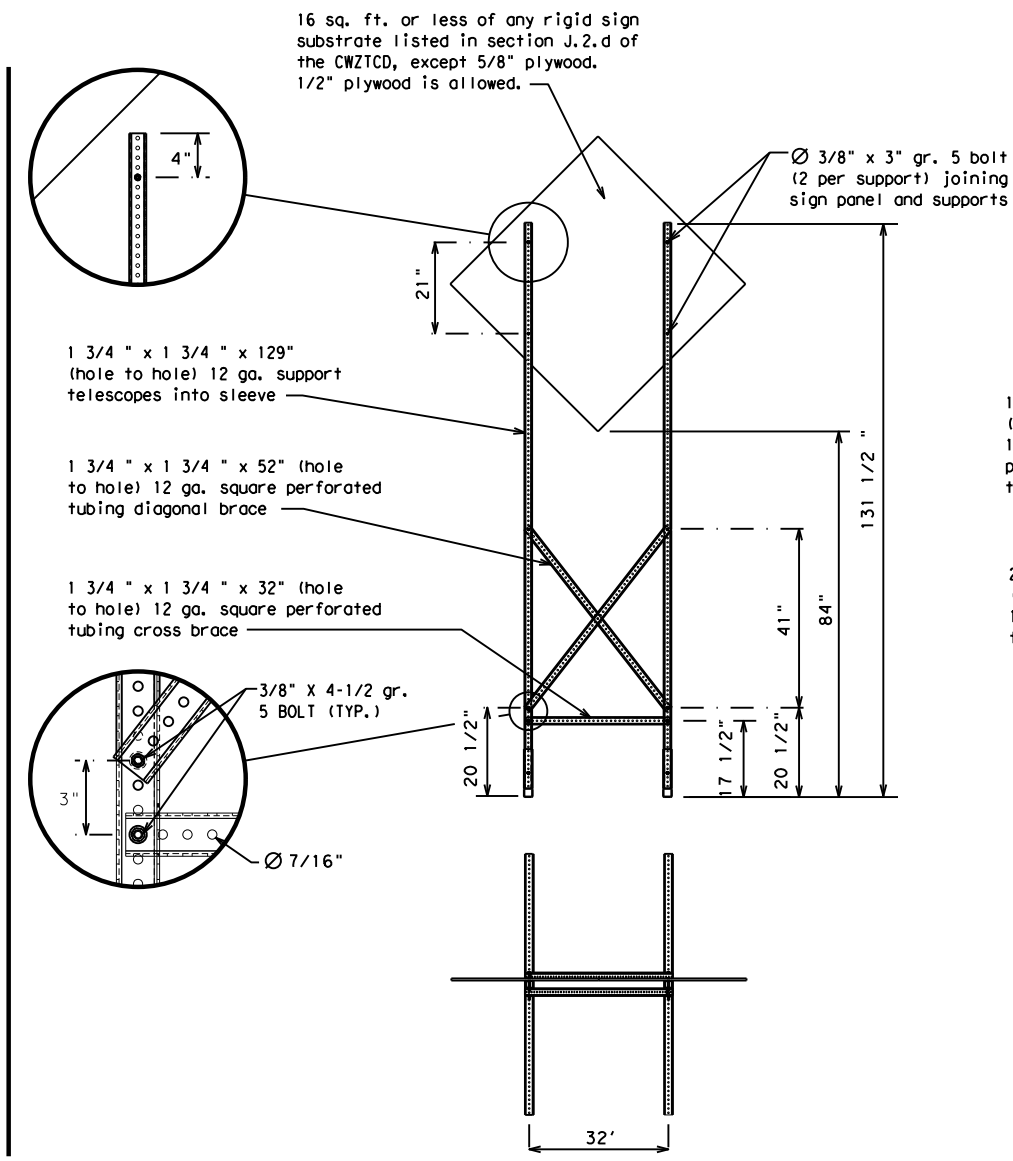
GROUND MOUNTED SIGN SUPPORTS

Refer to the CWZTCD and the manufacturer's installation procedure for each type sign support. The maximum sign square footage shall adhere to the manufacturer's recommendation. Two post installations can be used for larger signs.



SKID MOUNTED PERFORATED SQUARE STEEL TUBING SIGN SUPPORTS

* LONG/INTERMEDIATE TERM STATIONARY - PORTABLE SKID MOUNTED SIGN SUPPORTS



WEDGE ANCHORS

Both steel and plastic Wedge Anchor Systems as shown on the SMD Standard Sheets may be used as temporary sign supports for signs up to 10 square feet of sign face. They may be set in concrete or in sturdy soils if approved by the Engineer. (See web address for "Traffic Engineering Standard Sheets" on BC(1)).

OTHER DESIGNS

MORE DETAILS OF APPROVED LONG/INTERMEDIATE AND SHORT TERM SUPPORTS CAN BE FOUND ON THE CWZTCD LIST. SEE BC(1) FOR WEBSITE LOCATION.

GENERAL NOTES

- Nails may be used in the assembly of wooden sign supports, but 3/8" bolts with nuts or 3/8" x 3 1/2" lag screws must be used on every joint for final connection.
- No more than 2 sign posts shall be placed within a 7 ft. circle, except for specific materials noted on the CWZTCD List.
- When project is completed, all sign supports and foundations shall be removed from the project site. This will be considered subsidiary to Item 502.

- * See BC(4) for definition of "Work Duration."
- ** Wood sign posts MUST be one piece. Splicing will NOT be allowed. Posts shall be painted white.
- ☐ See the CWZTCD for the type of sign substrate that can be used for each approved sign support.

SHEET 5 OF 12



BARRICADE AND CONSTRUCTION TYPICAL SIGN SUPPORT

BC(5) - 21

FILE:	bc-21.dgn	DN:	TxDOT	CK:	TxDOT	DW:	TxDOT	CR:	TxDOT
© TxDOT	November 2002	CONT	SECT	JOB	HIGHWAY				
REVISIONS		091500	253	VARIOUS					
9-07	8-14	DIST	COUNTY	SHEET NO.					
7-13	5-21	SAT	BEXAR	30					

WHEN NOT IN USE, REMOVE THE PCMS FROM THE RIGHT-OF-WAY OR PLACE THE PCMS BEHIND BARRIER OR GUARDRAIL WITH SIGN PANEL TURNED PARALLEL TO TRAFFIC

RECOMMENDED PHASES AND FORMATS FOR PCMS MESSAGES DURING ROADWORK ACTIVITIES

(The Engineer may approve other messages not specifically covered here.)

PORTABLE CHANGEABLE MESSAGE SIGNS

- The Engineer/Inspector shall approve all messages used on portable changeable message signs (PCMS).
- Messages on PCMS should contain no more than 8 words (about four to eight characters per word), not including simple words such as "TO," "FOR," "AT," etc.
- Messages should consist of a single phase, or two phases that alternate. Three-phase messages are not allowed. Each phase of the message should convey a single thought, and must be understood by itself.
- Use the word "EXIT" to refer to an exit ramp on a freeway; i.e., "EXIT CLOSED." Do not use the term "RAMP."
- Always use the route or interstate designation (IH, US, SH, FM) along with the number when referring to a roadway.
- When in use, the bottom of a stationary PCMS message panel should be a minimum 7 feet above the roadway, where possible.
- The message term "WEEKEND" should be used only if the work is to start on Saturday morning and end by Sunday evening at midnight. Actual days and hours of work should be displayed on the PCMS if work is to begin on Friday evening and/or continue into Monday morning.
- The Engineer/Inspector may select one of two options which are available for displaying a two-phase message on a PCMS. Each phase may be displayed for either four seconds each or for three seconds each.
- Do not "flash" messages or words included in a message. The message should be steady burn or continuous while displayed.
- Do not present redundant information on a two-phase message; i.e., keeping two lines of the message the same and changing the third line.
- Do not use the word "Danger" in message.
- Do not display the message "LANES SHIFT LEFT" or "LANES SHIFT RIGHT" on a PCMS. Drivers do not understand the message.
- Do not display messages that scroll horizontally or vertically across the face of the sign.
- The following table lists abbreviated words and two-word phrases that are acceptable for use on a PCMS. Both words in a phrase must be displayed together. Words or phrases not on this list should not be abbreviated, unless shown in the TMUTCD.
- PCMS character height should be at least 18 inches for trailer mounted units. They should be visible from at least 1/2 (.5) mile and the text should be legible from at least 600 feet at night and 800 feet in daylight. Truck mounted units must have a character height of 10 inches and must be legible from at least 400 feet.
- Each line of text should be centered on the message board rather than left or right justified.
- If disabled, the PCMS should default to an illegible display that will not alarm motorists and will only be used to alert workers that the PCMS has malfunctioned. A pattern such as a series of horizontal solid bars is appropriate.

Phase 1: Condition Lists

Road/Lane/Ramp Closure List

FREEWAY CLOSED X MILE	FRONTAGE ROAD CLOSED
ROAD CLOSED AT SH XXX	SHOULDER CLOSED XXX FT
ROAD CLSD AT FM XXXX	RIGHT LN CLOSED XXX FT
RIGHT X LANES CLOSED	RIGHT X LANES OPEN
CENTER LANE CLOSED	DAYTIME LANE CLOSURES
NIGHT LANE CLOSURES	I-XX SOUTH EXIT CLOSED
VARIOUS LANES CLOSED	EXIT XXX CLOSED X MILE
EXIT CLOSED	RIGHT LN TO BE CLOSED
MALL DRIVEWAY CLOSED	X LANES CLOSED TUE - FRI
XXXXXXXX BLVD CLOSED	

Other Condition List

ROADWORK XXX FT	ROAD REPAIRS XXXX FT
FLAGGER XXXX FT	LANE NARROWS XXXX FT
RIGHT LN NARROWS XXXX FT	TWO-WAY TRAFFIC XX MILE
MERGING TRAFFIC XXXX FT	CONST TRAFFIC XXX FT
LOOSE GRAVEL XXXX FT	UNEVEN LANES XXXX FT
DETOUR X MILE	ROUGH ROAD XXXX FT
ROADWORK PAST SH XXXX	ROADWORK NEXT FRI-SUN
BUMP XXXX FT	US XXX EXIT X MILES
TRAFFIC SIGNAL XXXX FT	LANES SHIFT *

* LANES SHIFT in Phase 1 must be used with STAY IN LANE in Phase 2.

Phase 2: Possible Component Lists

Action to Take/Effect on Travel List

MERGE RIGHT	FORM X LINES RIGHT
DETOUR NEXT X EXITS	USE XXXXX RD EXIT
USE EXIT XXX	USE EXIT I-XX NORTH
STAY ON US XXX SOUTH	USE I-XX E TO I-XX N
TRUCKS USE US XXX N	WATCH FOR TRUCKS
WATCH FOR TRUCKS	EXPECT DELAYS
EXPECT DELAYS	PREPARE TO STOP
REDUCE SPEED XXX FT	END SHOULDER USE
USE OTHER ROUTES	WATCH FOR WORKERS
STAY IN LANE *	

Location List

AT FM XXXX
BEFORE RAILROAD CROSSING
NEXT X MILES
PAST US XXX EXIT
XXXXXXXX TO XXXXXX
US XXX TO FM XXXX

Warning List

SPEED LIMIT XX MPH
MAXIMUM SPEED XX MPH
MINIMUM SPEED XX MPH
ADVISORY SPEED XX MPH
RIGHT LANE EXIT
USE CAUTION
DRIVE SAFELY
DRIVE WITH CARE

** Advance Notice List

TUE-FRI XX AM-X PM
APR XX-XX X PM-X AM
BEGINS MONDAY
BEGINS MAY XX
MAY X-X XX PM - XX AM
NEXT FRI-SUN
XX AM TO XX PM
NEXT TUE AUG XX
TONIGHT XX PM-XX AM

** See Application Guidelines Note 6.

APPLICATION GUIDELINES

- Only 1 or 2 phases are to be used on a PCMS.
- The 1st phase (or both) should be selected from the "Road/Lane/Ramp Closure List" and the "Other Condition List".
- A 2nd phase can be selected from the "Action to Take/Effect on Travel, Location, General Warning, or Advance Notice Phase Lists".
- A Location Phase is necessary only if a distance or location is not included in the first phase selected.
- If two PCMS are used in sequence, they must be separated by a minimum of 1000 ft. Each PCMS shall be limited to two phases, and should be understandable by themselves.
- For advance notice, when the current date is within seven days of the actual work date, calendar days should be replaced with days of the week. Advance notification should typically be for no more than one week prior to the work.

WORDING ALTERNATIVES

- The words RIGHT, LEFT and ALL can be interchanged as appropriate.
- Roadway designations IH, US, SH, FM and LP can be interchanged as appropriate.
- EAST, WEST, NORTH and SOUTH (or abbreviations E, W, N and S) can be interchanged as appropriate.
- Highway names and numbers replaced as appropriate.
- ROAD, HIGHWAY and FREEWAY can be interchanged as needed.
- AHEAD may be used instead of distances if necessary.
- FT and MI, MILE and MILES interchanged as appropriate.
- AT, BEFORE and PAST interchanged as needed.
- Distances or AHEAD can be eliminated from the message if a location phase is used.

PCMS SIGNS WITHIN THE R.O.W. SHALL BE BEHIND GUARDRAIL OR CONCRETE BARRIER OR SHALL HAVE A MINIMUM OF FOUR (4) PLASTIC DRUMS PLACED PERPENDICULAR TO TRAFFIC ON THE UPSTREAM SIDE OF THE PCMS, WHEN EXPOSED TO ONE DIRECTION OF TRAFFIC. WHEN EXPOSED TO TWO WAY TRAFFIC, THE FOUR DRUMS SHOULD BE PLACED WITH ONE DRUM AT EACH OF THE FOUR CORNERS OF THE UNIT.

FULL MATRIX PCMS SIGNS

- When Full Matrix PCMS signs are used, the character height and legibility/visibility requirements shall be maintained as listed in Note 15 under "PORTABLE CHANGEABLE MESSAGE SIGNS" above.
- When symbol signs, such as the "Flagger Symbol" (CW20-7) are represented graphically on the Full Matrix PCMS sign and, with the approval of the Engineer, it shall maintain the legibility/visibility requirement listed above.
- When symbol signs are represented graphically on the Full Matrix PCMS, they shall only supplement the use of the static sign represented, and shall not substitute for, or replace that sign.
- A full matrix PCMS may be used to simulate a flashing arrow board provided it meets the visibility, flash rate and dimming requirements on BC(7), for the same size arrow.

DISCLAIMER: The use of this standard is governed by the "Texas Engineering Practice Act." No warranty of any kind is made by TxDOT for any purpose whatsoever. TxDOT assumes no responsibility for the conversion of this standard to other formats for printing or for any errors or omissions resulting from its use.

WORD OR PHRASE	ABBREVIATION	WORD OR PHRASE	ABBREVIATION
Access Road	ACCS RD	Major	MAJ
Alternate	ALT	Miles	MI
Avenue	AVE	Miles Per Hour	MPH
Best Route	BEST RTE	Minor	MNR
Boulevard	BLVD	Monday	MON
Bridge	BRDG	Normal	NORM
Canal	CANT	North	N
Center	CTR	Northbound	(route) N
Construction Ahead	CONST AHD	Parking	PKING
CROSSING	XING	Road	RD
Detour Route	DETOUR RTE	Right Lane	RT LN
Do Not	DONT	Saturday	SAT
East	E	Service Road	SERV RD
Eastbound	(route) E	Shoulder	SHLDR
Emergency	EMER	Slippery	SLIP
Emergency Vehicle	EMER VEH	South	S
Entrance, Enter	ENT	Southbound	(route) S
Express Lane	EXP LN	Speed	SPD
Expressway	EXPWY	Street	ST
XXXX Feet	XXXX FT	Sunday	SUN
Fog Ahead	FOG AHD	Telephone	PHONE
Freeway	FRWY, FWY	Temporary	TEMP
Freeway Blocked	FWY BLKD	Thursday	THURS
Friday	FRI	To Downtown	TO DWNTN
Hazardous Driving	HAZ DRIVING	Traffic	TRAF
Hazardous Material	HAZMAT	Travelers	TRVLR
High-Occupancy Vehicle	HOV	Tuesday	TUES
Highway	HWY	Time Minutes	TIME MIN
Hour(s)	HR, HRS	Upper Level	UPR LEVEL
Information	INFO	Vehicles (s)	VEH, VEHS
It Is	ITS	Warning	WARN
Junction	JCT	Wednesday	WED
Left	LFT	Weight Limit	WT LIMIT
Left Lane	LFT LN	West	W
Lane Closed	LN CLOSED	Westbound	(route) W
Lower Level	LWR LEVEL	Wet Pavement	WET PVMT
Maintenance	MAINT	Will Not	WONT

Roadway designation # IH-number, US-number, SH-number, FM-number



BARRICADE AND CONSTRUCTION PORTABLE CHANGEABLE MESSAGE SIGN (PCMS)

BC (6) - 21

FILE:	bc-21.dgn	DN:	TxDOT	CK:	TxDOT	DW:	TxDOT	CR:	TxDOT
© TxDOT	November 2002	CONT:	SECT:	JOB:	HIGHWAY:				
REVISIONS		0915	00	253	VARIOUS				
9-07	8-14	DIST:	COUNTY:	SHEET NO.:					
7-13	5-21	SAT:	BEXAR	31					

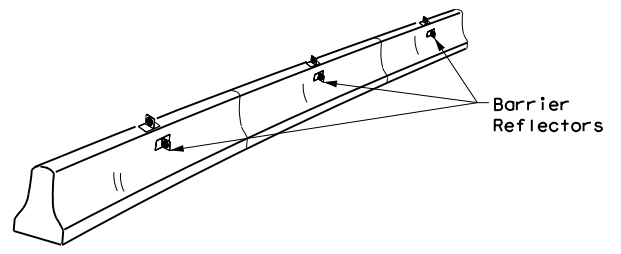
No warranty of any kind is made by TxDOT for any purpose whatsoever. TxDOT assumes no responsibility for the conversion of this standard to other formats or for incorrect results or damages resulting from its use.

The use of this standard is governed by the "Texas Engineering Practice Act". No warranty of any kind is made by TxDOT for any purpose whatsoever. TxDOT assumes no responsibility for the conversion of this standard to other formats or for incorrect results or damages resulting from its use.

DISCLAIMER: The use of this standard is governed by the "Texas Engineering Practice Act". No warranty of any kind is made by TxDOT for any purpose whatsoever. TxDOT assumes no responsibility for the conversion of this standard to other formats or for incorrect results or damages resulting from its use.

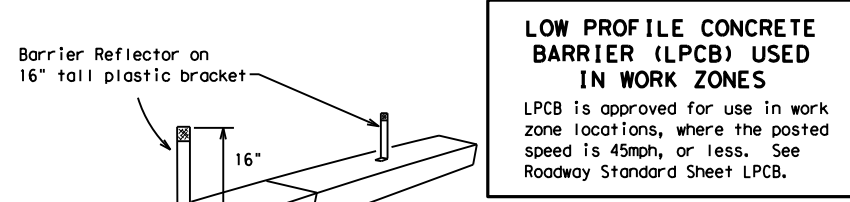
DATE: 10/17/2022 1:54:48 PM
 FILE: I:\Traffic\Design\District PS&E Tracking\Plan_Review\Bexar\0915-00-253 (Districtwide Non-Site Specific Traffic Signals)\Standards\BC\bc-21.dgn

- Barrier Reflectors shall be pre-qualified, and conform to the color and reflectivity requirements of DMS-8600. A list of prequalified Barrier Reflectors can be found at the Material Producer List web address shown on BC(1).
- Color of Barrier Reflectors shall be as specified in the TMUTCD. The cost of the reflectors shall be considered subsidiary to Item 512.



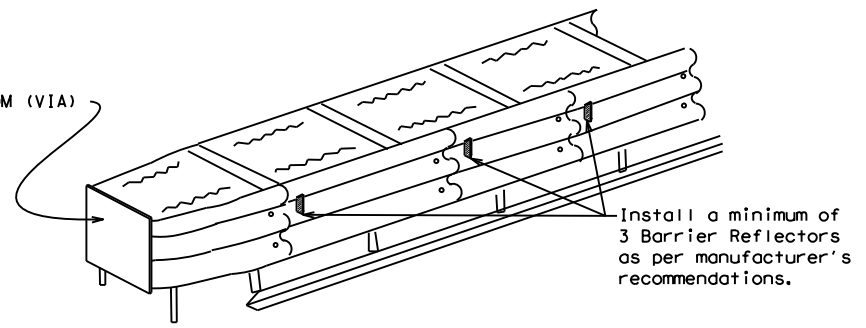
CONCRETE TRAFFIC BARRIER (CTB)

- Where traffic is on one side of the CTB, two (2) Barrier Reflectors shall be mounted in approximately the midsection of each section of CTB. An alternate mounting location is uniformly spaced at one end of each CTB. This will allow for attachment of a barrier grapple without damaging the reflector. The Barrier Reflector mounted on the side of the CTB shall be located directly below the reflector mounted on top of the barrier, as shown in the detail above.
- Where CTB separates two-way traffic, three barrier reflectors shall be mounted on each section of CTB. The reflector unit on top shall have two yellow reflective faces (Bi-Directional) while the reflectors on each side of the barrier shall have one yellow reflective face, as shown in the detail above.
- When CTB separates traffic traveling in the same direction, no barrier reflectors will be required on top of the CTB.
- Barrier Reflector units shall be yellow or white in color to match the edgeline being supplemented.
- Maximum spacing of Barrier Reflectors is forty (40) feet.
- Pavement markers or temporary flexible-reflective roadway marker tabs shall NOT be used as CTB delineation.
- Attachment of Barrier Reflectors to CTB shall be per manufacturer's recommendations.
- Missing or damaged Barrier Reflectors shall be replaced as directed by the Engineer.
- Single slope barriers shall be delineated as shown on the above detail.



LOW PROFILE CONCRETE BARRIER (LPCB) USED IN WORK ZONES
 LPCB is approved for use in work zone locations, where the posted speed is 45mph, or less. See Roadway Standard Sheet LPCB.

LOW PROFILE CONCRETE BARRIER (LPCB)



DELINEATION OF END TREATMENTS

END TREATMENTS FOR CTB'S USED IN WORK ZONES
 End treatments used on CTB's in work zones shall meet the appropriate crashworthy standards as defined in the Manual for Assessing Safety Hardware (MASH). Refer to the CWZTCD List for approved end treatments and manufacturers.

BARRIER REFLECTORS FOR CONCRETE TRAFFIC BARRIER AND ATTENUATORS

WARNING LIGHTS

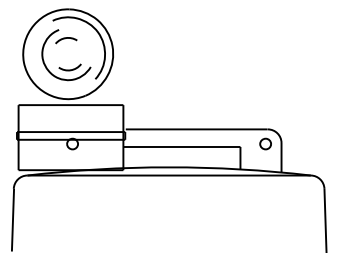
- Warning lights shall meet the requirements of the TMUTCD.
- Warning lights shall NOT be installed on barricades.
- Type A-Low Intensity Flashing Warning Lights are commonly used with drums. They are intended to warn of or mark a potentially hazardous area. Their use shall be as indicated on this sheet and/or other sheets of the plans by the designation "FL". The Type A Warning Lights shall not be used with signs manufactured with Type B_{PL} or C_{FL} Sheeting meeting the requirements of Departmental Material Specification DMS-8300.
- Type-C and Type D 360 degree Steady Burn Lights are intended to be used in a series for delineation to supplement other traffic control devices. Their use shall be as indicated on this sheet and/or other sheets of the plans by the designation "SB".
- The Engineer/Inspector or the plans shall specify the location and type of warning lights to be installed on the traffic control devices.
- When required by the Engineer, the Contractor shall furnish a copy of the warning lights certification. The warning light manufacturer will certify the warning lights meet the requirements of the latest ITE Purchase Specifications for Flashing and Steady-Burn Warning Lights.
- When used to delineate curves, Type-C and Type D Steady Burn Lights should only be placed on the outside of the curve, not the inside.
- The location of warning lights and warning reflectors on drums shall be as shown elsewhere in the plans.

WARNING LIGHTS MOUNTED ON PLASTIC DRUMS

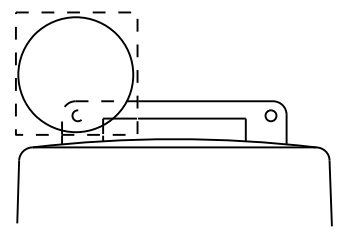
- Type A flashing warning lights are intended to warn drivers that they are approaching or are in a potentially hazardous area.
- Type A random flashing warning lights are not intended for delineation and shall not be used in a series.
- A series of sequential flashing warning lights placed on channelizing devices to form a merging taper may be used for delineation. If used, the successive flashing of the sequential warning lights should occur from the beginning of the taper to the end of the merging taper in order to identify the desired vehicle path. The rate of flashing for each light shall be 65 flashes per minute, plus or minus 10 flashes.
- Type C and D steady-burn warning lights are intended to be used in a series to delineate the edge of the travel lane on detours, on lane changes, on lane closures, and on other similar conditions.
- Type A, Type C and Type D warning lights shall be installed at locations as detailed on other sheets in the plans.
- Warning lights shall not be installed on a drum that has a sign, chevron or vertical panel.
- The maximum spacing for warning lights on drums should be identical to the channelizing device spacing.

WARNING REFLECTORS MOUNTED ON PLASTIC DRUMS AS A SUBSTITUTE FOR TYPE C (STEADY BURN) WARNING LIGHTS

- A warning reflector or approved substitute may be mounted on a plastic drum as a substitute for a Type C, steady burn warning light at the discretion of the Contractor unless otherwise noted in the plans.
- The warning reflector shall be yellow in color and shall be manufactured using a sign substrate approved for use with plastic drums listed on the CWZTCD.
- The warning reflector shall have a minimum retroreflective surface area (one-side) of 30 square inches.
- Round reflectors shall be fully reflectorized, including the area where attached to the drum.
- Square substrates must have a minimum of 30 square inches of reflectorized sheeting. They do not have to be reflectorized where it attaches to the drum.
- The side of the warning reflector facing approaching traffic shall have sheeting meeting the color and retroreflectivity requirements for DMS 8300-Type B or Type C.
- When used near two-way traffic, both sides of the warning reflector shall be reflectorized.
- The warning reflector should be mounted on the side of the handle nearest approaching traffic.
- The maximum spacing for warning reflectors should be identical to the channelizing device spacing requirements.



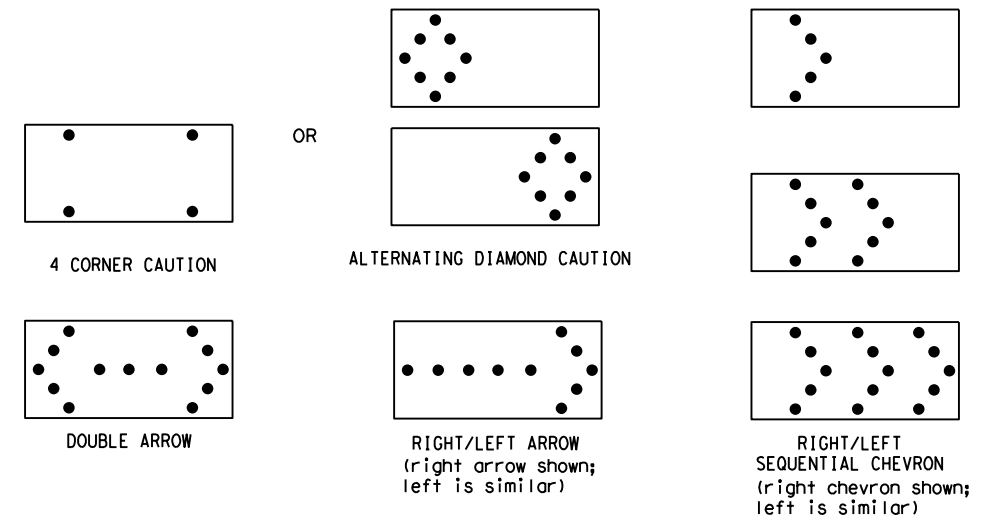
Type C Warning Light or approved substitute mounted on a drum adjacent to the travel way.



Warning reflector may be round or square. Must have a yellow reflective surface area of at least 30 square inches

Arrow Boards may be located behind channelizing devices in place for a shoulder taper or merging taper, otherwise they shall be delineated with four (4) channelizing devices placed perpendicular to traffic on the upstream side of traffic.

- The Flashing Arrow Board should be used for all lane closures on multi-lane roadways, or slow moving maintenance or construction activities on the travel lanes.
- Flashing Arrow Boards should not be used on two-lane, two-way roadways, detours, diversions or work on shoulders unless the "CAUTION" display (see detail below) is used.
- The Engineer/Inspector shall choose all appropriate signs, barricades and/or other traffic control devices that should be used in conjunction with the Flashing Arrow Board.
- The Flashing Arrow Board should be able to display the following symbols:



- The "CAUTION" display consists of four corner lamps flashing simultaneously, or the Alternating Diamond Caution mode as shown.
- The straight line caution display is NOT ALLOWED.
- The Flashing Arrow Board shall be capable of minimum 50 percent dimming from rated lamp voltage. The flashing rate of the lamps shall not be less than 25 nor more than 40 flashes per minute.
- Minimum lamp "on time" shall be approximately 50 percent for the flashing arrow and equal intervals of 25 percent for each sequential phase of the flashing chevron.
- The sequential arrow display is NOT ALLOWED.
- The flashing arrow display is the TxDOT standard; however, the sequential chevron display may be used during daylight operations.
- The Flashing Arrow Board shall be mounted on a vehicle, trailer or other suitable support.
- A Flashing Arrow Board SHALL NOT BE USED to laterally shift traffic.
- A full matrix PCMS may be used to simulate a Flashing Arrow Board provided it meets visibility, flash rate and dimming requirements on this sheet for the same size arrow.
- Minimum mounting height of trailer mounted Arrow Boards should be 7 feet from roadway to bottom of panel.

REQUIREMENTS			
TYPE	MINIMUM SIZE	MINIMUM NUMBER OF PANEL LAMPS	MINIMUM VISIBILITY DISTANCE
B	30 x 60	13	3/4 mile
C	48 x 96	15	1 mile

ATTENTION
 Flashing Arrow Boards shall be equipped with automatic dimming devices.

WHEN NOT IN USE, REMOVE THE ARROW BOARD FROM THE RIGHT-OF-WAY OR PLACE THE ARROW BOARD BEHIND CONCRETE TRAFFIC BARRIER OR GUARDRAIL.

FLASHING ARROW BOARDS

SHEET 7 OF 12

TRUCK-MOUNTED ATTENUATORS

- Truck-mounted attenuators (TMA) used on TxDOT facilities must meet the requirements outlined in the Manual for Assessing Safety Hardware (MASH).
- Refer to the CWZTCD for the requirements of Level 2 or Level 3 TMAs.
- Refer to the CWZTCD for a list of approved TMAs.
- TMAs are required on freeways unless otherwise noted in the plans.
- A TMA should be used anytime that it can be positioned 30 to 100 feet in advance of the area of crew exposure without adversely affecting the work performance.
- The only reason a TMA should not be required is when a work area is spread down the roadway and the work crew is an extended distance from the TMA.

Texas Department of Transportation

Traffic Safety Division Standard

BARRICADE AND CONSTRUCTION ARROW PANEL, REFLECTORS, WARNING LIGHTS & ATTENUATOR

BC (7) -21

FILE: bc-21.dgn	DW: TxDOT	CK: TxDOT	DW: TxDOT	CK: TxDOT
© TxDOT November 2002		CONT	SECT	JOB
REVISIONS		0915 00	253	VARIOUS
9-07 8-14	DIST	COUNTY	SHEET NO.	
7-13 5-21	SAT	BEXAR	32	

DISCLAIMER: The use of this standard is governed by the "Texas Engineering Practice Act". No warranty of any kind is made by TxDOT for any purpose whatsoever. TxDOT assumes no responsibility for the conversion of this standard to other formats or for incorrect results or damages resulting from its use.
 DATE: 10/17/2022 1:54:48 PM
 FILE: I:\Traffic\Design\District PS&E Tracking\Plan_Review\Bexar\0915-00-253 (Districtwide Non-Site Specific Traffic Signals)\Standards\BC\bc-21.dgn

GENERAL NOTES

- For long term stationary work zones on freeways, drums shall be used as the primary channelizing device.
- For intermediate term stationary work zones on freeways, drums should be used as the primary channelizing device but may be replaced in tangent sections by vertical panels, or 42" two-piece cones. In tangent sections, one-piece cones may be used with the approval of the Engineer but only if personnel are present on the project at all times to maintain the cones in proper position and location.
- For short term stationary work zones on freeways, drums are the preferred channelizing device but may be replaced in tapers, transitions and tangent sections by vertical panels, two-piece cones or one-piece cones as approved by the Engineer.
- Drums and all related items shall comply with the requirements of the current version of the "Texas Manual on Uniform Traffic Control Devices" (TMUTCD) and the "Compliant Work Zone Traffic Control Devices List" (CWZTCD).
- Drums, bases, and related materials shall exhibit good workmanship and shall be free from objectionable marks or defects that would adversely affect their appearance or serviceability.
- The Contractor shall have a maximum of 24 hours to replace any plastic drums identified for replacement by the Engineer/Inspector. The replacement device must be an approved device.

GENERAL DESIGN REQUIREMENTS

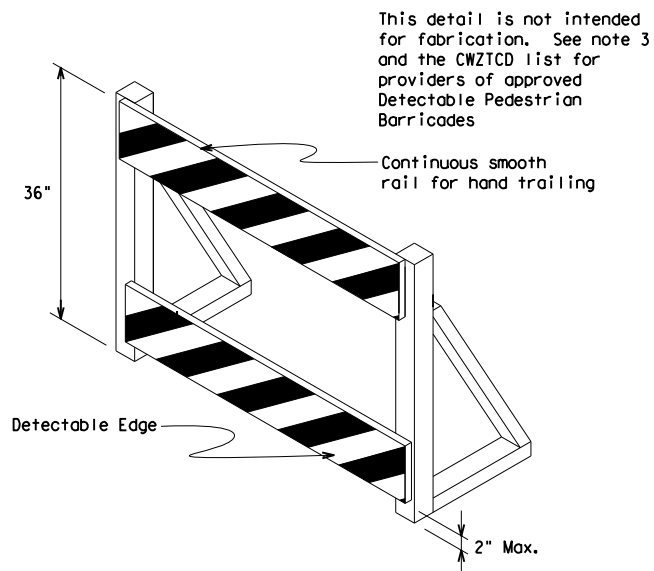
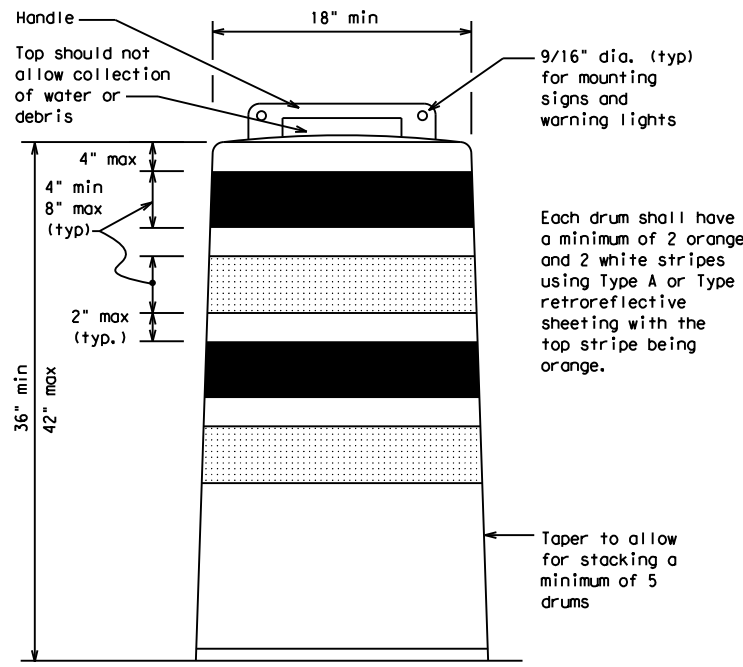
- Pre-qualified plastic drums shall meet the following requirements:
- Plastic drums shall be a two-piece design; the "body" of the drum shall be the top portion and the "base" shall be the bottom.
 - The body and base shall lock together in such a manner that the body separates from the base when impacted by a vehicle traveling at a speed of 20 MPH or greater but prevents accidental separation due to normal handling and/or air turbulence created by passing vehicles.
 - Plastic drums shall be constructed of lightweight flexible, and deformable materials. The Contractor shall NOT use metal drums or single piece plastic drums as channelization devices or sign supports.
 - Drums shall present a profile that is a minimum of 18 inches in width at the 36 inch height when viewed from any direction. The height of drum unit (body installed on base) shall be a minimum of 36 inches and a maximum of 42 inches.
 - The top of the drum shall have a built-in handle for easy pickup and shall be designed to drain water and not collect debris. The handle shall have a minimum of two widely spaced 9/16 inch diameter holes to allow attachment of a warning light, warning reflector unit or approved compliant sign.
 - The exterior of the drum body shall have a minimum of four alternating orange and white retroreflective circumferential stripes not less than 4 inches nor greater than 8 inches in width. Any non-reflectorized space between any two adjacent stripes shall not exceed 2 inches in width.
 - Bases shall have a maximum width of 36 inches, a maximum height of 4 inches, and a minimum of two footholds of sufficient size to allow base to be held down while separating the drum body from the base.
 - Plastic drums shall be constructed of ultra-violet stabilized, orange, high-density polyethylene (HDPE) or other approved material.
 - Drum body shall have a maximum unballasted weight of 11 lbs.
 - Drum and base shall be marked with manufacturer's name and model number.

RETROREFLECTIVE SHEETING

- The stripes used on drums shall be constructed of sheeting meeting the color and retroreflectivity requirements of Departmental Materials Specification DMS-8300, "Sign Face Materials." Type A or Type B reflective sheeting shall be supplied unless otherwise specified in the plans.
- The sheeting shall be suitable for use on and shall adhere to the drum surface such that, upon vehicular impact, the sheeting shall remain adhered in-place and exhibit no delaminating, cracking, or loss of retroreflectivity other than that loss due to abrasion of the sheeting surface.

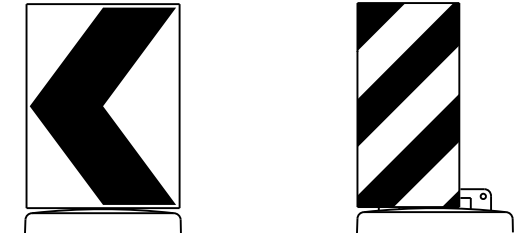
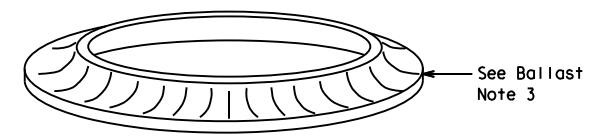
BALLAST

- Unballasted bases shall be large enough to hold up to 50 lbs. of sand. This base, when filled with the ballast material, should weigh between 35 lbs (minimum) and 50 lbs (maximum). The ballast may be sand in one to three sandbags separate from the base, sand in a sand-filled plastic base, or other ballasting devices as approved by the Engineer. Stacking of sandbags will be allowed, however height of sandbags above pavement surface may not exceed 12 inches.
- Bases with built-in ballast shall weigh between 40 lbs. and 50 lbs. Built-in ballast can be constructed of an integral crumb rubber base or a solid rubber base.
- Recycled truck tire sidewalls may be used for ballast on drums approved for this type of ballast on the CWZTCD list.
- The ballast shall not be heavy objects, water, or any material that would become hazardous to motorists, pedestrians, or workers when the drum is struck by a vehicle.
- When used in regions susceptible to freezing, drums shall have drainage holes in the bottoms so that water will not collect and freeze becoming a hazard when struck by a vehicle.
- Ballast shall not be placed on top of drums.
- Adhesives may be used to secure base of drums to pavement.



DETECTABLE PEDESTRIAN BARRICADES

- When existing pedestrian facilities are disrupted, closed, or relocated in a TTC zone, the temporary facilities shall be detectable and include accessibility features consistent with the features present in the existing pedestrian facility. Refer to WZ(BTS-2) for Pedestrian Control requirements for Sidewalk Diversions, Sidewalk Detours and Crosswalk Closures.
- Where pedestrians with visual disabilities normally use the closed sidewalk, a Detectable Pedestrian Barricade shall be placed across the full width of the closed sidewalk instead of a Type 3 Barricade.
- Detectable pedestrian barricades similar to the one pictured above, longitudinal channelizing devices, some concrete barriers, and wood or chain link fencing with a continuous detectable edging can satisfactorily delineate a pedestrian path.
- Tape, rope, or plastic chain strung between devices are not detectable, do not comply with the design standards in the "Americans with Disabilities Act Accessibility Guidelines (ADAAG)" and should not be used as a control for pedestrian movements.
- Warning lights shall not be attached to detectable pedestrian barricades.
- Detectable pedestrian barricades should use 8" nominal barricade rails as shown on BC(10) provided that the top rail provides a smooth continuous rail suitable for hand trailing with no splinters, burrs, or sharp edges.



18" x 24" Sign (Maximum Sign Dimension)
Chevron CW1-8, Opposing Traffic Lane Divider, Driveway sign D70a, Keep Right R4 series or other signs as approved by Engineer

12" x 24" Vertical Panel
mount with diagonals sloping down towards travel way

Plywood, Aluminum or Metal sign substrates shall NOT be used on plastic drums

SIGNS, CHEVRONS, AND VERTICAL PANELS MOUNTED ON PLASTIC DRUMS

- Signs used on plastic drums shall be manufactured using substrates listed on the CWZTCD.
- Chevrons and other work zone signs with an orange background shall be manufactured with Type B_{FL} or Type C_{FL} Orange sheeting meeting the color and retroreflectivity requirements of DMS-8300, "Sign Face Material," unless otherwise specified in the plans.
- Vertical Panels shall be manufactured with orange and white sheeting meeting the requirements of DMS-8300 Type A or Type B. Diagonal stripes on Vertical Panels shall slope down toward the intended traveled lane.
- Other sign messages (text or symbolic) may be used as approved by the Engineer. Sign dimensions shall not exceed 18 inches in width or 24 inches in height, except for the R9 series signs discussed in note 8 below.
- Signs shall be installed using a 1/2 inch bolt (nominal) and nut, two washers, and one locking washer for each connection.
- Mounting bolts and nuts shall be fully engaged and adequately torqued. Bolts should not extend more than 1/2 inch beyond nuts.
- Chevrons may be placed on drums on the outside of curves, on merging tapers or on shifting tapers. When used in these locations, they may be placed on every drum or spaced not more than on every third drum. A minimum of three (3) should be used at each location called for in the plans.
- R9-9, R9-10, R9-11 and R9-11a Sidewalk Closed signs which are 24 inches wide may be mounted on plastic drums, with approval of the Engineer.

SHEET 8 OF 12



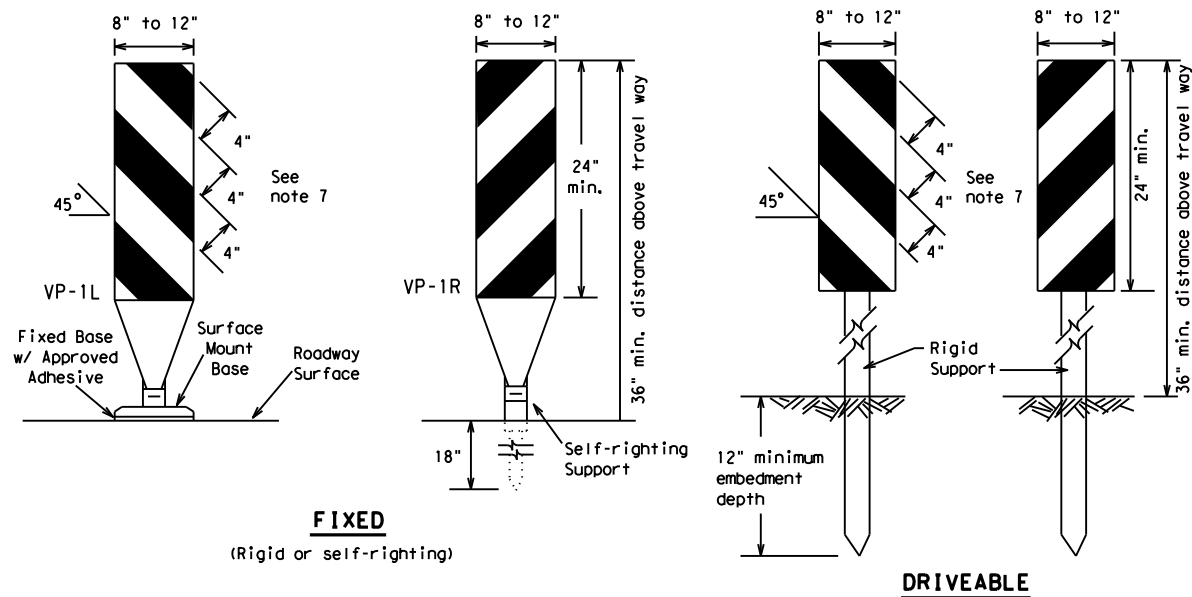
BARRICADE AND CONSTRUCTION CHANNELIZING DEVICES

BC (8) - 21

FILE:	bc-21.dgn	DN:	TxDOT	CR:	TxDOT	OW:	TxDOT	CK:	TxDOT
© TxDOT	November 2002	CONT	SECT	JOB	HIGHWAY				
REVISIONS		0915	00	253	VARIOUS				
4-03	8-14	DIST	COUNTY	SHEET NO.					
9-07	5-21	SAT	BEXAR	33					
7-13									

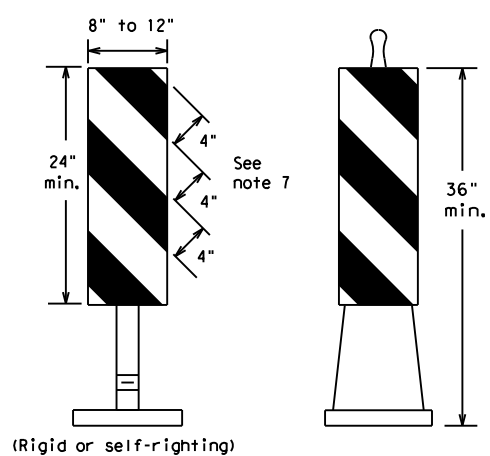
DISCLAIMER: The use of this standard is governed by the "Texas Engineering Practice Act". No warranty of any kind is made by TxDOT for any purpose whatsoever. TxDOT assumes no responsibility for the conversion of this standard to other formats or for incorrect results or damages resulting from its use.

DATE: 10/17/2022 1:54:48 PM
 FILE: I:\Traffic\Design\District_P&E_Tracking\Plan_Review\Bexar\0915-00-253 (Districtwide Non-Site Specific Traffic Signals)\Standards\BC-21.dgn



FIXED
(Rigid or self-righting)

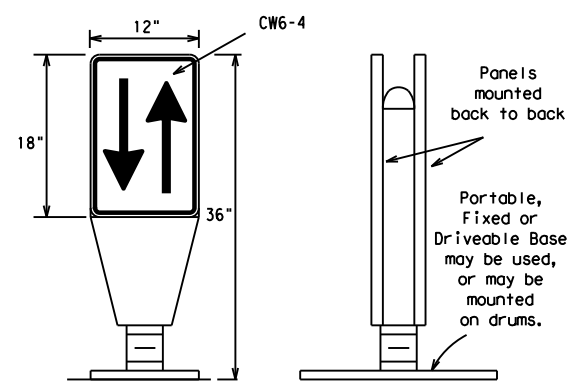
DRIVEABLE



PORTABLE

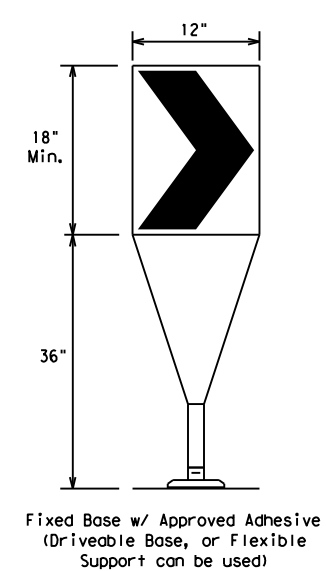
VERTICAL PANELS (VPs)

- Vertical Panels (VP's) are normally used to channelize traffic or divide opposing lanes of traffic.
- VP's may be used in daytime or nighttime situations. They may be used at the edge of shoulder drop-offs and other areas such as lane transitions where positive daytime and nighttime delineation is required. The Engineer/Inspector shall refer to the Roadway Design Manual for additional requirements on the use VP's for drop-offs.
- VP's should be mounted back to back if used at the edge of cuts adjacent to two-way two lane roadways. Stripes are to be reflective orange and reflective white and should always slope downward toward the travel lane.
- VP's used on expressways and freeways or other high speed roadways, may have more than 270 square inches of retroreflective area facing traffic.
- Self-righting supports are available with portable base. See "Compliant Work Zone Traffic Control Devices List" (CWZTCD).
- Sheeting for the VP's shall be retroreflective Type A or Type B conforming to Departmental Material Specification DMS-8300, unless noted otherwise.
- Where the height of reflective material on the vertical panel is 36 inches or greater, a panel stripe of 6 inches shall be used.



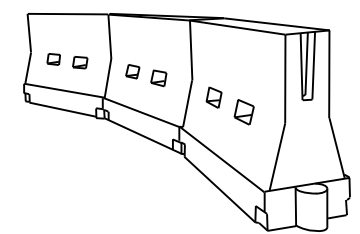
OPPOSING TRAFFIC LANE DIVIDERS (OTLD)

- Opposing Traffic Lane Dividers (OTLD) are delineation devices designed to convert a normal one-way roadway section to two-way operation. OTLD's are used on temporary centerlines. The upward and downward arrows on the sign's face indicate the direction of traffic on either side of the divider. The base is secured to the pavement with an adhesive or rubber weight to minimize movement caused by a vehicle impact or wind gust.
- The OTLD may be used in combination with 42" cones or VPs.
- Spacing between the OTLD shall not exceed 500 feet. 42" cones or VPs placed between the OTLD's should not exceed 100 foot spacing.
- The OTLD shall be orange with a black non-reflective legend. Sheeting for the OTLD shall be retroreflective Type B_{FL} or Type C_{FL} conforming to Departmental Material Specification DMS-8300, unless noted otherwise. The legend shall meet the requirements of DMS-8300.



- The chevron shall be a vertical rectangle with a minimum size of 12 by 18 inches.
- Chevrons are intended to give notice of a sharp change of alignment with the direction of travel and provide additional emphasis and guidance for vehicle operators with regard to changes in horizontal alignment of the roadway.
- Chevrons, when used, shall be erected on the outside of a sharp curve or turn, or on the far side of an intersection. They shall be in line with and at right angles to approaching traffic. Spacing should be such that the motorist always has three in view, until the change in alignment eliminates its need.
- To be effective, the chevron should be visible for at least 500 feet.
- Chevrons shall be orange with a black nonreflective legend. Sheeting for the chevron shall be retroreflective Type B_{FL} or Type C_{FL} conforming to Departmental Material Specification DMS-8300, unless noted otherwise. The legend shall meet the requirements of DMS-8300.
- For Long Term Stationary use on tapers or transitions on freeways and divided highways, self-righting chevrons may be used to supplement plastic drums but not to replace plastic drums.

CHEVRONS



LONGITUDINAL CHANNELIZING DEVICES (LCD)

- LCDs are crashworthy, lightweight, deformable devices that are highly visible, have good target value and can be connected together. They are not designed to contain or redirect a vehicle on impact.
- LCDs may be used instead of a line of cones or drums.
- LCDs shall be placed in accordance to application and installation requirements specific to the device, and used only when shown on the CWZTCD list.
- LCDs should not be used to provide positive protection for obstacles, pedestrians or workers.
- LCDs shall be supplemented with retroreflective delineation as required for temporary barriers on BC(7) when placed roughly parallel to the travel lanes.
- LCDs used as barricades placed perpendicular to traffic should have at least one row of reflective sheeting meeting the requirements for barricade rails as shown on BC(10). Place reflective sheeting near the top of the LCD along the full length of the device.

WATER BALLASTED SYSTEMS USED AS BARRIERS

- Water ballasted systems used as barriers shall not be used solely to channelize road users, but also to protect the work space per the appropriate Manual for Assessing Safety Hardware (MASH) crashworthiness requirements based on roadway speed and barrier application.
- Water ballasted systems used to channelize vehicular traffic shall be supplemented with retroreflective delineation or channelizing devices to improve daytime/nighttime visibility. They may also be supplemented with pavement markings.
- Water ballasted systems used as barriers shall be placed in accordance to application and installation requirements specific to the device, and used only when shown on the CWZTCD list.
- Water ballasted systems used as barriers should not be used for a merging taper except in low speed (less than 45 MPH) urban areas. When used on a taper in a low speed urban area, the taper shall be delineated and the taper length should be designed to optimize road user operations considering the available geometric conditions.
- When water ballasted systems used as barriers have blunt ends exposed to traffic, they should be attenuated as per manufacturer recommendations or flared to a point outside the clear zone.

If used to channelize pedestrians, longitudinal channelizing devices or water ballasted systems must have a continuous detectable bottom for users of long canes and the top of the unit shall not be less than 32 inches in height.

HOLLOW OR WATER BALLASTED SYSTEMS USED AS LONGITUDINAL CHANNELIZING DEVICES OR BARRIERS

GENERAL NOTES

- Work Zone channelizing devices illustrated on this sheet may be installed in close proximity to traffic and are suitable for use on high or low speed roadways. The Engineer/Inspector shall ensure that spacing and placement is uniform and in accordance with the "Texas Manual on Uniform Traffic Control Devices" (TMUTCD).
- Channelizing devices shown on this sheet may have a driveable, fixed or portable base. The requirement for self-righting channelizing devices must be specified in the General Notes or other plan sheets.
- Channelizing devices on self-righting supports should be used in work zone areas where channelizing devices are frequently impacted by errant vehicles or vehicle related wind gusts making alignment of the channelizing devices difficult to maintain. Locations of these devices shall be detailed elsewhere in the plans. These devices shall conform to the TMUTCD and the "Compliant Work Zone Traffic Control Devices List" (CWZTCD).
- The Contractor shall maintain devices in a clean condition and replace damaged, nonreflective, faded, or broken devices and bases as required by the Engineer/Inspector. The Contractor shall be required to maintain proper device spacing and alignment.
- Portable bases shall be fabricated from virgin and/or recycled rubber. The portable bases shall weigh a minimum of 30 lbs.
- Pavement surfaces shall be prepared in a manner that ensures proper bonding between the adhesives, the fixed mount bases and the pavement surface. Adhesives shall be prepared and applied according to the manufacturer's recommendations.
- The installation and removal of channelizing devices shall not cause detrimental effects to the final pavement surfaces, including pavement surface discoloration or surface integrity. Driveable bases shall not be permitted on final pavement surfaces. The Engineer/Inspector shall approve all application and removal procedures of fixed bases.

Posted Speed	Formula	Minimum Desirable Taper Lengths * *			Suggested Maximum Spacing of Channelizing Devices	
		10' Offset	11' Offset	12' Offset	On a Taper	On a Tangent
30	L = WS ² / 60	150'	165'	180'	30'	60'
35		205'	225'	245'	35'	70'
40		265'	295'	320'	40'	80'
45	L = WS	450'	495'	540'	45'	90'
50		500'	550'	600'	50'	100'
55		550'	605'	660'	55'	110'
60		600'	660'	720'	60'	120'
65		650'	715'	780'	65'	130'
70		700'	770'	840'	70'	140'
75		750'	825'	900'	75'	150'
80		800'	880'	960'	80'	160'

* * * Taper lengths have been rounded off.
 L=Length of Taper (FT.) W=Width of Offset (FT.)
 S=Posted Speed (MPH)

SUGGESTED MAXIMUM SPACING OF CHANNELIZING DEVICES AND MINIMUM DESIRABLE TAPER LENGTHS

SHEET 9 OF 12



BARRICADE AND CONSTRUCTION CHANNELIZING DEVICES

BC (9) - 21

FILE:	bc-21.dgn	DN:	TxDOT	CK:	TxDOT	DW:	TxDOT	CK:	TxDOT
© TxDOT	November 2002	CONT	SECT	JOB	HIGHWAY				
REVISIONS		0915	00	253	VARIOUS				
9-07	8-14	DIST	COUNTY		SHEET NO.				
7-13	5-21	SAT	BEXAR		34				

DATE: 10/17/2022 1:54:49 PM
 FILE: I:\Traffic\Design\District_P&E_Tracking\Plan_Review\Bexar\0915-00-253 (Districtwide Non-Site Specific Traffic Signals)\Standards\BC\bc-21.dgn
 DISCLAIMER: The use of this standard is governed by the "Texas Engineering Practice Act". No warranty of any kind is made by TxDOT for any purpose whatsoever. TxDOT assumes no responsibility for the conversion of this standard to other formats or for incorrect results or damages resulting from its use.

TYPE 3 BARRICADES

- Refer to the Compliant Work Zone Traffic Control Devices List (CWZTCD) for details of the Type 3 Barricades and a list of all materials used in the construction of Type 3 Barricades.
- Type 3 Barricades shall be used at each end of construction projects closed to all traffic.
- Barricades extending across a roadway should have stripes that slope downward in the direction toward which traffic must turn in detouring. When both right and left turns are provided, the chevron striping may slope downward in both directions from the center of the barricade. Where no turns are provided at a closed road, striping should slope downward in both directions toward the center of roadway.
- Striping of rails, for the right side of the roadway, should slope downward to the left. For the left side of the roadway, striping should slope downward to the right.
- Identification markings may be shown only on the back of the barricade rails. The maximum height of letters and/or company logos used for identification shall be 1".
- Barricades shall not be placed parallel to traffic unless an adequate clear zone is provided.
- Warning lights shall NOT be installed on barricades.
- Where barricades require the use of weights to keep from turning over, the use of sandbags with dry, cohesionless sand is recommended. The sandbags will be tied shut to keep the sand from spilling and to maintain a constant weight. Sand bags shall not be stacked in a manner that covers any portion of a barricade rails reflective sheeting. Rock, concrete, iron, steel or other solid objects will NOT be permitted. Sandbags should weigh a minimum of 35 lbs and a maximum of 50 lbs. Sandbags shall be made of a durable material that tears upon vehicular impact. Rubber (such as tire inner tubes) shall not be used for sandbags. Sandbags shall only be placed along or upon the base supports of the device and shall not be suspended above ground level or hung with rope, wire, chains or other fasteners.
- Sheeting for barricades shall be retroreflective Type A or Type B conforming to Departmental Material Specification DMS-8300 unless otherwise noted.

Barricades shall NOT be used as a sign support.

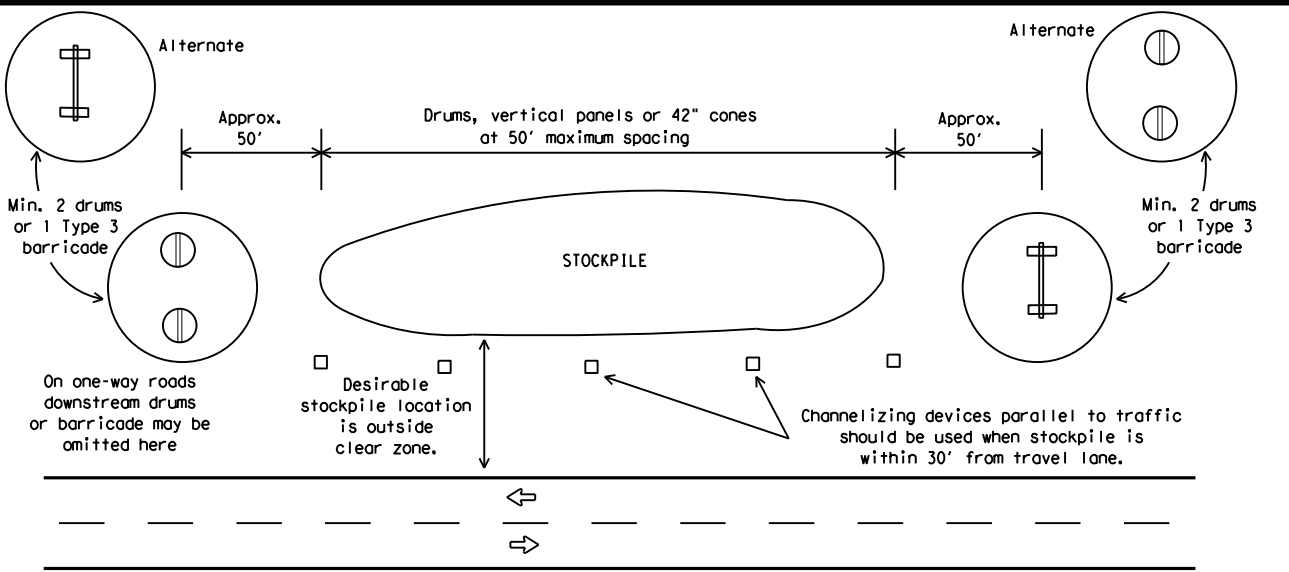


TYPICAL STRIPING DETAIL FOR BARRICADE RAIL



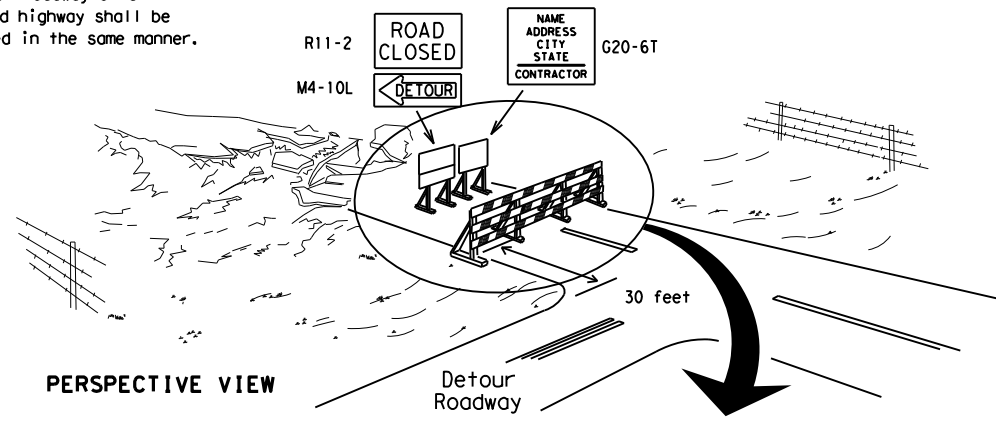
Stiffener may be inside or outside of support, but no more than 2 stiffeners shall be allowed on one barricade.

TYPICAL PANEL DETAIL FOR SKID OR POST TYPE BARRICADES



TRAFFIC CONTROL FOR MATERIAL STOCKPILES

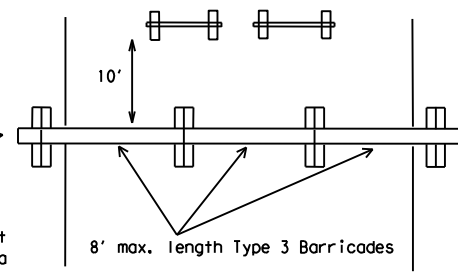
Each roadway of a divided highway shall be barricaded in the same manner.



PERSPECTIVE VIEW

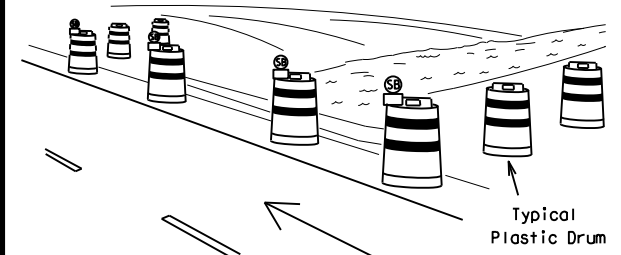
The three rails on Type 3 barricades shall be reflectorized orange and reflective white stripes on one side facing one-way traffic and both sides for two-way traffic. Barricade striping should slant downward in the direction of detour.

- Signs should be mounted on independent supports at a 7 foot mounting height in center of roadway. The signs should be a minimum of 10 feet behind Type 3 Barricades.
- Advance signing shall be as specified elsewhere in the plans.

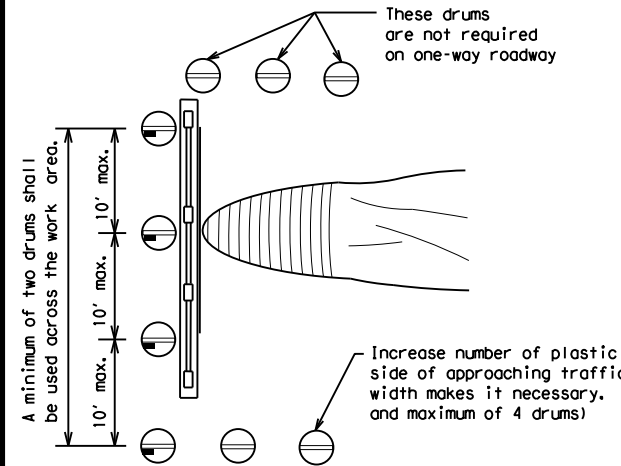


PLAN VIEW

TYPE 3 BARRICADE (POST AND SKID) TYPICAL APPLICATION



PERSPECTIVE VIEW

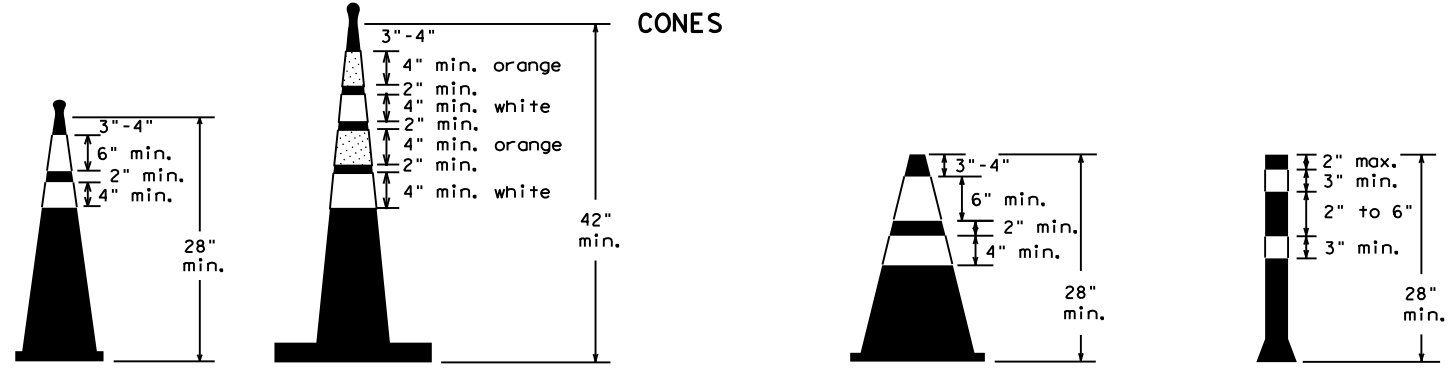


PLAN VIEW

CULVERT WIDENING OR OTHER ISOLATED WORK WITHIN THE PROJECT LIMITS

- Where positive redirection capability is provided, drums may be omitted.
- Plastic construction fencing may be used with drums for safety as required in the plans.
- Vertical Panels on flexible support may be substituted for drums when the shoulder width is less than 4 feet.
- When the shoulder width is greater than 12 feet, steady-burn lights may be omitted if drums are used.
- Drums must extend the length of the culvert widening.

LEGEND	
	Plastic drum
	Plastic drum with steady burn light or yellow warning reflector
	Steady burn warning light or yellow warning reflector



Two-Piece cones

One-Piece cones

Tubular Marker

28" Cones shall have a minimum weight of 9 1/2 lbs.
 42" 2-piece cones shall have a minimum weight of 30 lbs. including base.

- Traffic cones and tubular markers shall be predominantly orange, and meet the height and weight requirements shown above.
- One-piece cones have the body and base of the cone molded in one consolidated unit. Two-piece cones have a cone shaped body and a separate rubber base, or ballast, that is added to keep the device upright and in place.
- Two-piece cones may have a handle or loop extending up to 8" above the minimum height shown, in order to aid in retrieving the device.
- Cones or tubular markers shall have white or white and orange reflective bands as shown above. The reflective bands shall have a smooth, sealed outer surface and meet the requirements of Departmental Material Specification DMS-8300 Type A or Type B.
- 28" cones and tubular markers are generally suitable for short duration and short-term stationary work as defined on BC(4). These should not be used for intermediate-term or long-term stationary work unless personnel is on-site to maintain them in their proper upright position.
- 42" two-piece cones, vertical panels or drums are suitable for all work zone durations.
- Cones or tubular markers used on each project should be of the same size and shape.



BARRICADE AND CONSTRUCTION CHANNELIZING DEVICES

BC (10) - 21

FILE: bc-21.dgn	DN: TxDOT	CK: TxDOT	OW: TxDOT	CR: TxDOT
© TxDOT November 2002	CONT	SECT	JOB	HIGHWAY
REVISIONS	0915	00	253	VARIOUS
9-07 8-14	DIST	COUNTY	SHEET NO.	
7-13 5-21	SAT	BEXAR	35	

WORK ZONE PAVEMENT MARKINGS

GENERAL

- The Contractor shall be responsible for maintaining work zone and existing pavement markings, in accordance with the standard specifications and special provisions, on all roadways open to traffic within the CSJ limits unless otherwise stated in the plans.
- Color, patterns and dimensions shall be in conformance with the "Texas Manual on Uniform Traffic Control Devices" (TMUTCD).
- Additional supplemental pavement marking details may be found in the plans or specifications.
- Pavement markings shall be installed in accordance with the TMUTCD and as shown on the plans.
- When short term markings are required on the plans, short term markings shall conform with the TMUTCD, the plans and details as shown on the Standard Plan Sheet WZ(STPM).
- When standard pavement markings are not in place and the roadway is opened to traffic, DO NOT PASS signs shall be erected to mark the beginning of the sections where passing is prohibited and PASS WITH CARE signs at the beginning of sections where passing is permitted.
- All work zone pavement markings shall be installed in accordance with Item 662, "Work Zone Pavement Markings."

RAISED PAVEMENT MARKERS

- Raised pavement markers are to be placed according to the patterns on BC(12).
- All raised pavement markers used for work zone markings shall meet the requirements of Item 672, "RAISED PAVEMENT MARKERS" and Departmental Material Specification DMS-4200 or DMS-4300.

PREFABRICATED PAVEMENT MARKINGS

- Removable prefabricated pavement markings shall meet the requirements of DMS-8241.
- Non-removable prefabricated pavement markings (foil back) shall meet the requirements of DMS-8240.

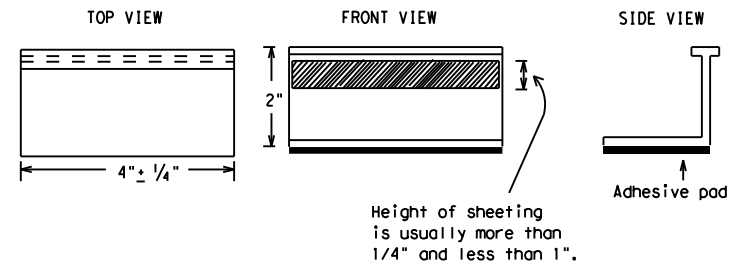
MAINTAINING WORK ZONE PAVEMENT MARKINGS

- The Contractor will be responsible for maintaining work zone pavement markings within the work limits.
- Work zone pavement markings shall be inspected in accordance with the frequency and reporting requirements of work zone traffic control device inspections as required by Form 599.
- The markings should provide a visible reference for a minimum distance of 300 feet during normal daylight hours and 160 feet when illuminated by automobile low-beam headlights at night, unless sight distance is restricted by roadway geometrics.
- Markings failing to meet this criteria within the first 30 days after placement shall be replaced at the expense of the Contractor as per Specification Item 662.

REMOVAL OF PAVEMENT MARKINGS

- Pavement markings that are no longer applicable, could create confusion or direct a motorist toward or into the closed portion of the roadway shall be removed or obliterated before the roadway is opened to traffic.
- The above shall not apply to detours in place for less than three days, where flaggers and/or sufficient channelizing devices are used in lieu of markings to outline the detour route.
- Pavement markings shall be removed to the fullest extent possible, so as not to leave a discernable marking. This shall be by any method approved by TxDOT Specification Item 677 for "Eliminating Existing Pavement Markings and Markers".
- The removal of pavement markings may require resurfacing or seal coating portions of the roadway as described in Item 677.
- Subject to the approval of the Engineer, any method that proves to be successful on a particular type pavement may be used.
- Blast cleaning may be used but will not be required unless specifically shown in the plans.
- Over-painting of the markings SHALL NOT BE permitted.
- Removal of raised pavement markers shall be as directed by the Engineer.
- Removal of existing pavement markings and markers will be paid for directly in accordance with Item 677, "ELIMINATING EXISTING PAVEMENT MARKINGS AND MARKERS," unless otherwise stated in the plans.
- Black-out marking tape may be used to cover conflicting existing markings for periods less than two weeks when approved by the Engineer.

Temporary Flexible-Reflective Roadway Marker Tabs



**STAPLES OR NAILS SHALL NOT BE USED TO SECURE
TEMPORARY FLEXIBLE-REFLECTIVE ROADWAY MARKER
TABS TO THE PAVEMENT SURFACE**

- Temporary flexible-reflective roadway marker tabs used as guidemarks shall meet the requirements of DMS-8242.
- Tabs detailed on this sheet are to be inspected and accepted by the Engineer or designated representative. Sampling and testing is not normally required, however at the option of the Engineer, either "A" or "B" below may be imposed to assure quality before placement on the roadway.
 - Select five (5) or more tabs at random from each lot or shipment and submit to the Construction Division, Materials and Pavement Section to determine specification compliance.
 - Select five (5) tabs and perform the following test. Affix five (5) tabs at 24 inch intervals on an asphaltic pavement in a straight line. Using a medium size passenger vehicle or pickup, run over the markers with the front and rear tires at a speed of 35 to 40 miles per hour, four (4) times in each direction. No more than one (1) out of the five (5) reflective surfaces shall be lost or displaced as a result of this test.
- Small design variances may be noted between tab manufacturers.
- See Standard Sheet WZ(STPM) for tab placement on new pavements. See Standard Sheet TCP(7-1) for tab placement on seal coat work.

RAISED PAVEMENT MARKERS USED AS GUIDEMARKS

- Raised pavement markers used as guidemarks shall be from the approved product list, and meet the requirements of DMS-4200.
- All temporary construction raised pavement markers provided on a project shall be of the same manufacturer.
- Adhesive for guidemarks shall be bituminous material hot applied or butyl rubber pad for all surfaces, or thermoplastic for concrete surfaces.

Guidemarks shall be designated as:
 YELLOW - (two amber reflective surfaces with yellow body).
 WHITE - (one silver reflective surface with white body).

DEPARTMENTAL MATERIAL SPECIFICATIONS	
PAVEMENT MARKERS (REFLECTORIZED)	DMS-4200
TRAFFIC BUTTONS	DMS-4300
EPOXY AND ADHESIVES	DMS-6100
BITUMINOUS ADHESIVE FOR PAVEMENT MARKERS	DMS-6130
PERMANENT PREFABRICATED PAVEMENT MARKINGS	DMS-8240
TEMPORARY REMOVABLE, PREFABRICATED PAVEMENT MARKINGS	DMS-8241
TEMPORARY FLEXIBLE, REFLECTIVE ROADWAY MARKER TABS	DMS-8242

A list of prequalified reflective raised pavement markers, non-reflective traffic buttons, roadway marker tabs and other pavement markings can be found at the Material Producer List web address shown on BC(1).

SHEET 11 OF 12



BARRICADE AND CONSTRUCTION PAVEMENT MARKINGS

BC(11)-21

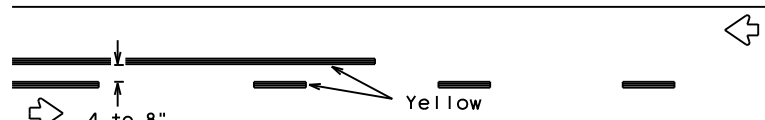
FILE: bc-21.dgn	DN: TxDOT	CR: TxDOT	DW: TxDOT	CK: TxDOT
© TxDOT February 1998	CONT	SECT	JOB	HIGHWAY
REVISIONS	0915	00	253	VARIOUS
2-98 9-07 5-21	DIST	COUNTY	SHEET NO.	
1-02 7-13	SAT	BEXAR	36	
11-02 8-14				

DISCLAIMER: The use of this standard is governed by the "Texas Engineering Practice Act". No warranty of any kind is made by TxDOT for any purpose whatsoever. TxDOT assumes no responsibility for the conversion of this standard to other formats or for incorrect results or damages resulting from its use.
 DATE: 10/17/2022 1:54:49 PM
 FILE: I:\Traffic\Design\District PS&E Tracking\Plan Review\Bexar\0915-00-253 (Districtwide Non-Site Specific Traffic Signals)\Standards\BC(bc-21).dgn

PAVEMENT MARKING PATTERNS

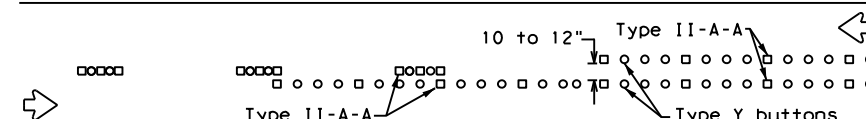


REFLECTORIZED PAVEMENT MARKINGS - PATTERN A

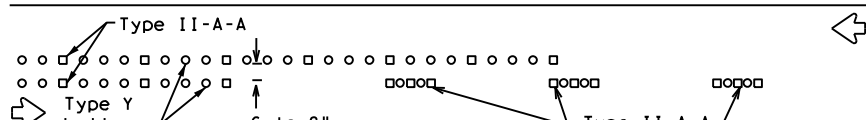


REFLECTORIZED PAVEMENT MARKINGS - PATTERN B

Pattern A is the TXDOT Standard, however Pattern B may be used if approved by the Engineer. Prefabricated markings may be substituted for reflectORIZED pavement markings.



RAISED PAVEMENT MARKERS - PATTERN A



RAISED PAVEMENT MARKERS - PATTERN B

CENTER LINE & NO-PASSING ZONE BARRIER LINES FOR TWO-LANE, TWO-WAY HIGHWAYS



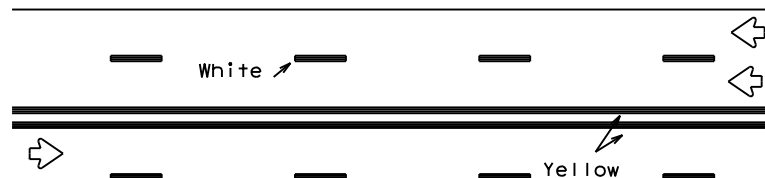
REFLECTORIZED PAVEMENT MARKINGS

Prefabricated markings may be substituted for reflectORIZED pavement markings.



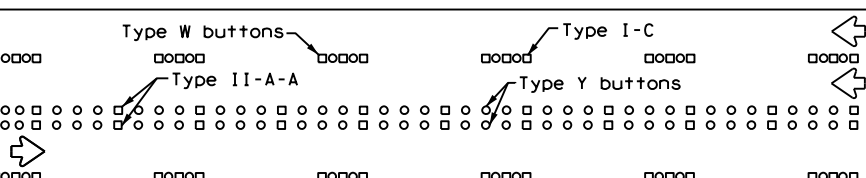
RAISED PAVEMENT MARKERS

EDGE & LANE LINES FOR DIVIDED HIGHWAY



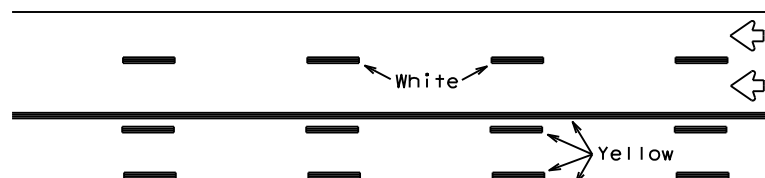
REFLECTORIZED PAVEMENT MARKINGS

Prefabricated markings may be substituted for reflectORIZED pavement markings.



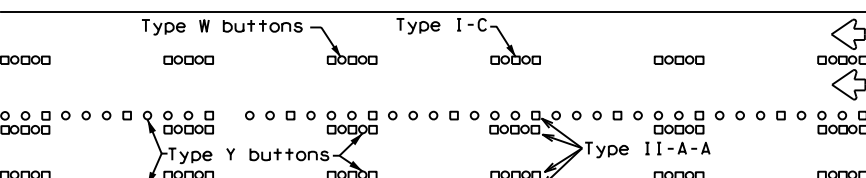
RAISED PAVEMENT MARKERS

LANE & CENTER LINES FOR MULTILANE UNDIVIDED HIGHWAYS



REFLECTORIZED PAVEMENT MARKINGS

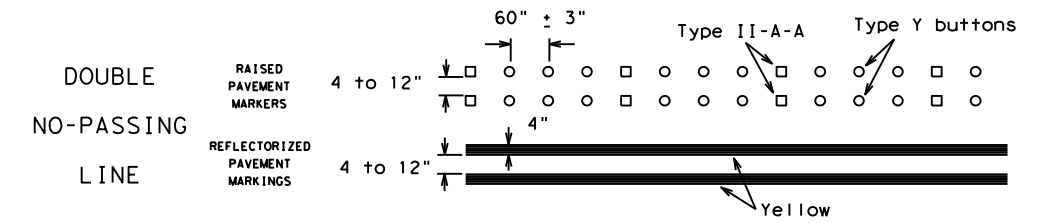
Prefabricated markings may be substituted for reflectORIZED pavement markings.



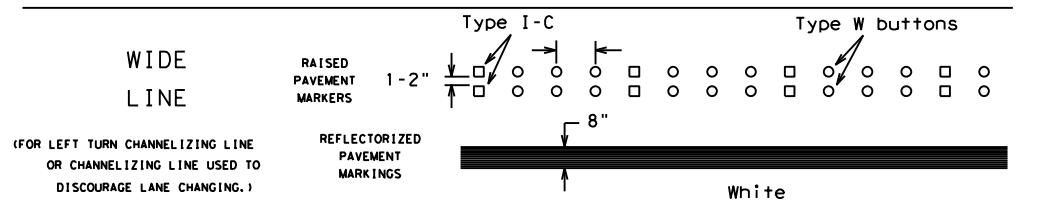
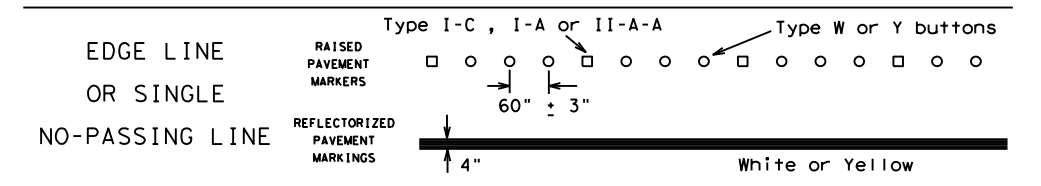
RAISED PAVEMENT MARKERS

TWO-WAY LEFT TURN LANE

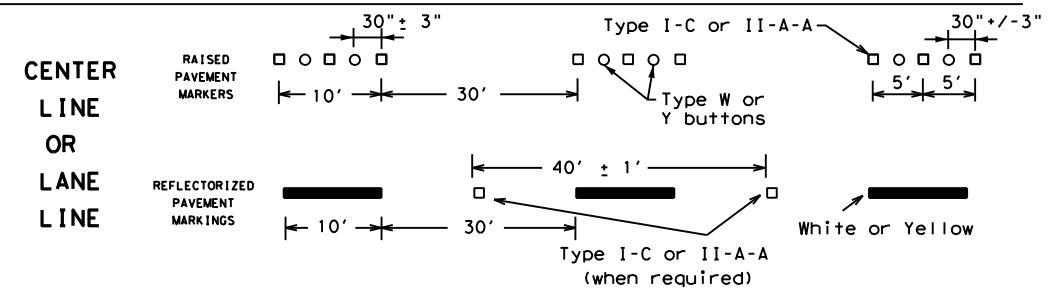
STANDARD WORK ZONE PAVEMENT MARKINGS DETAILS



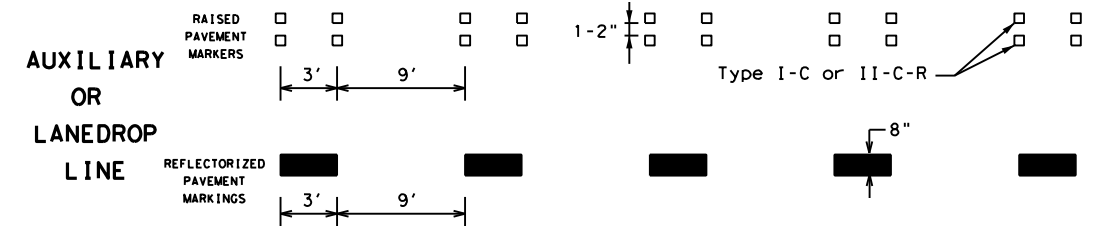
SOLID LINES



(FOR LEFT TURN CHANNELIZING LINE OR CHANNELIZING LINE USED TO DISCOURAGE LANE CHANGING.)

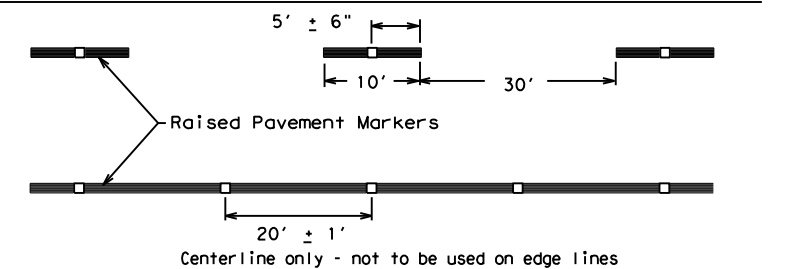


BROKEN LINES



REMOVABLE MARKINGS WITH RAISED PAVEMENT MARKERS

If raised pavement markers are used to supplement REMOVABLE markings, the markers shall be applied to the top of the tape at the approximate mid length of tape used for broken lines or at 20 foot spacing for solid lines. This allows an easier removal of raised pavement markers and tape.



SHEET 12 OF 12



BARRICADE AND CONSTRUCTION PAVEMENT MARKING PATTERNS

BC(12)-21

Raised pavement markers used as standard pavement markings shall be from the approved products list and meet the requirements of Item 672 "RAISED PAVEMENT MARKERS."

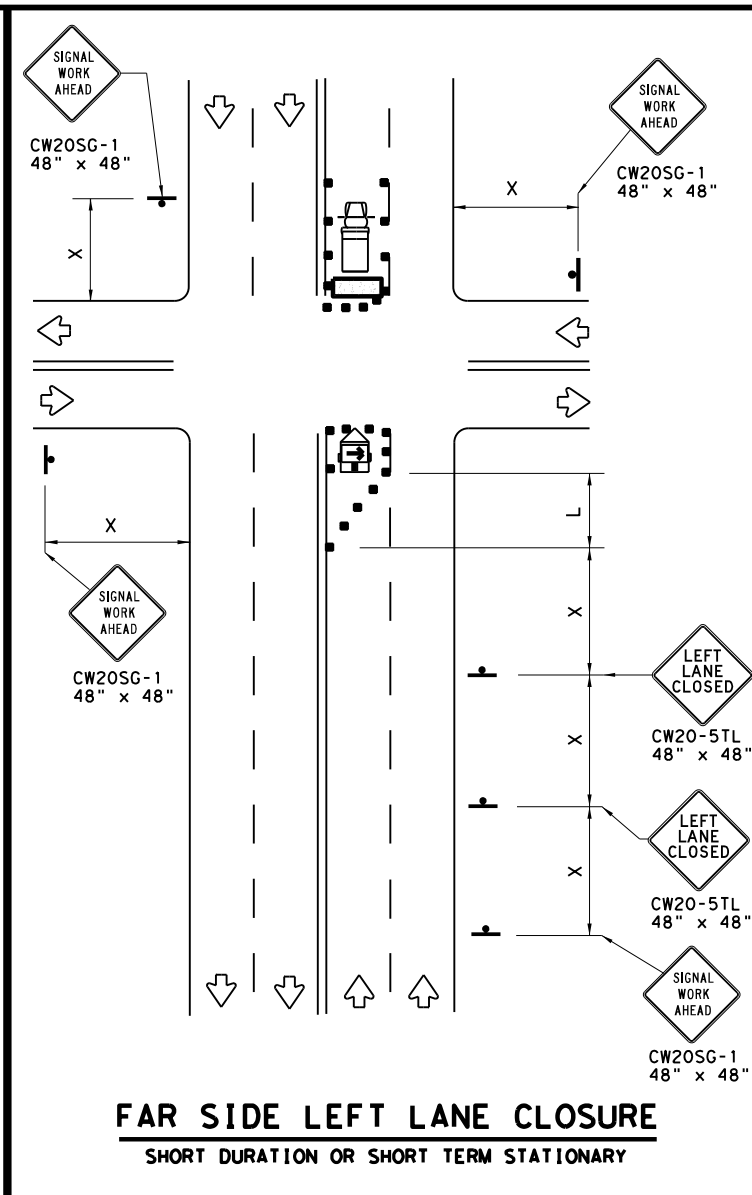
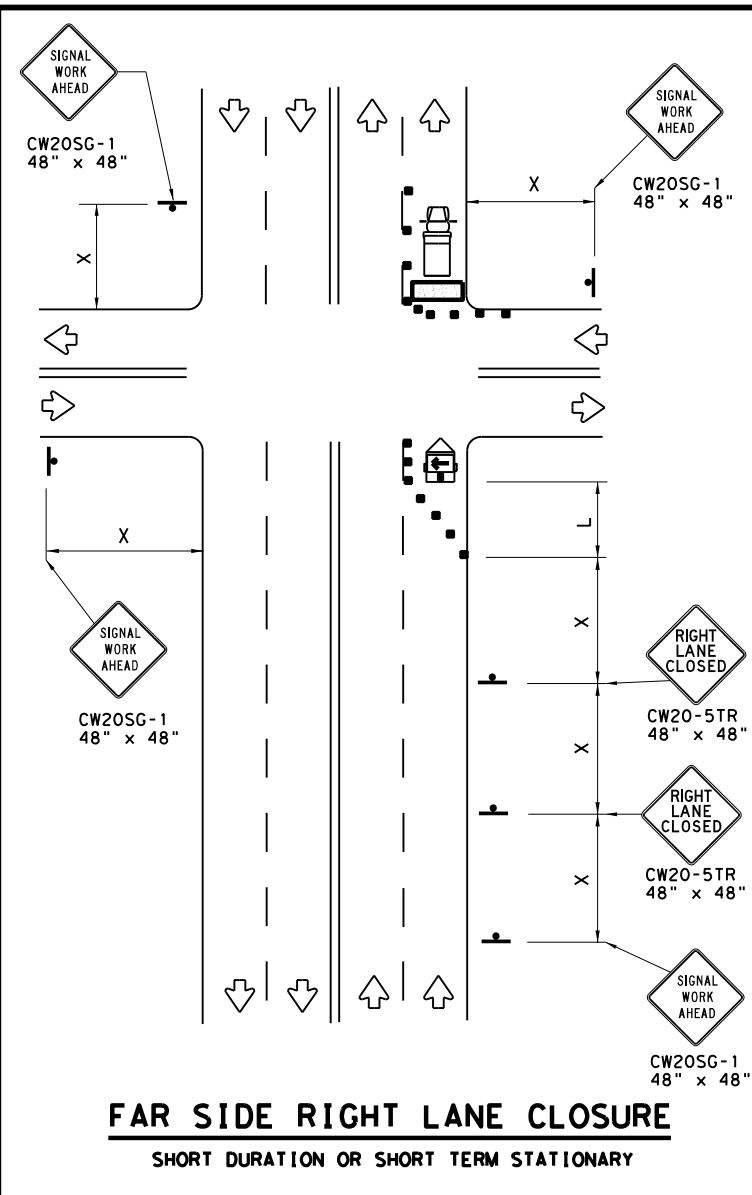
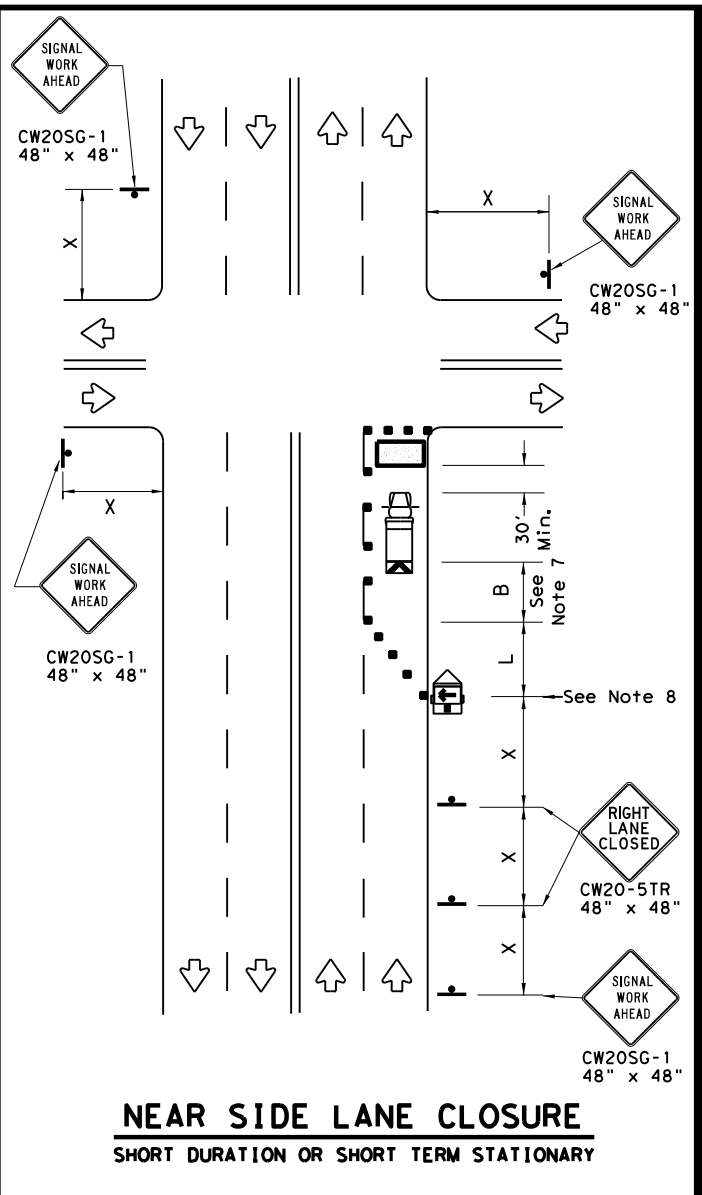
FILE: bc-21.dgn	DN: TxDOT	CK: TxDOT	OW: TxDOT	CR: TxDOT
©TxDOT February 1998	CONT	SECT	JOB	HIGHWAY
REVISIONS	0915	00	253	VARIOUS
1-97 9-07 5-21	DIST	COUNTY	SHEET NO.	
2-98 7-13	SAT	BEXAR	37	
11-02 8-14				

DISCLAIMER: The use of this standard is governed by the "Texas Engineering Practice Act". No warranty of any kind is made by TXDOT for any purpose whatsoever. TXDOT assumes no responsibility for the conversion of this standard to other formats or for incorrect results or damages resulting from its use.

DATE: 10/17/2022 1:54:49 PM
FILE: I:\Traffic\Design\District PS&E Tracking\Plan Review\Bexar\0915-00-253 (Districtwide Non-Site Specific Traffic Signals)\Standards\BC(12)-21.dgn

DISCLAIMER: The use of this standard is governed by the "Texas Engineering Practice Act". No warranty of any kind is made by TxDOT for any purpose whatsoever. TxDOT assumes no responsibility for the conversion of units or the use of the standard in any manner other than that intended by the original author.

DATE: 10/17/2022 1:54:50 PM
 FILE: I:\Traffic\Design\District PS&E Tracking\Plan_Review\Bexar\0915-00-255\1015-17-2022\1015-17-2022.dwg

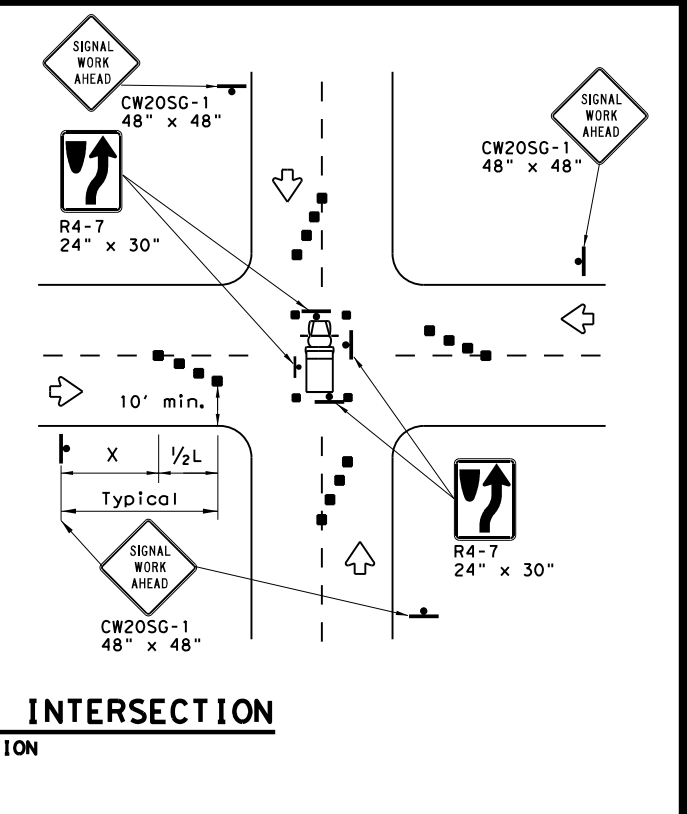
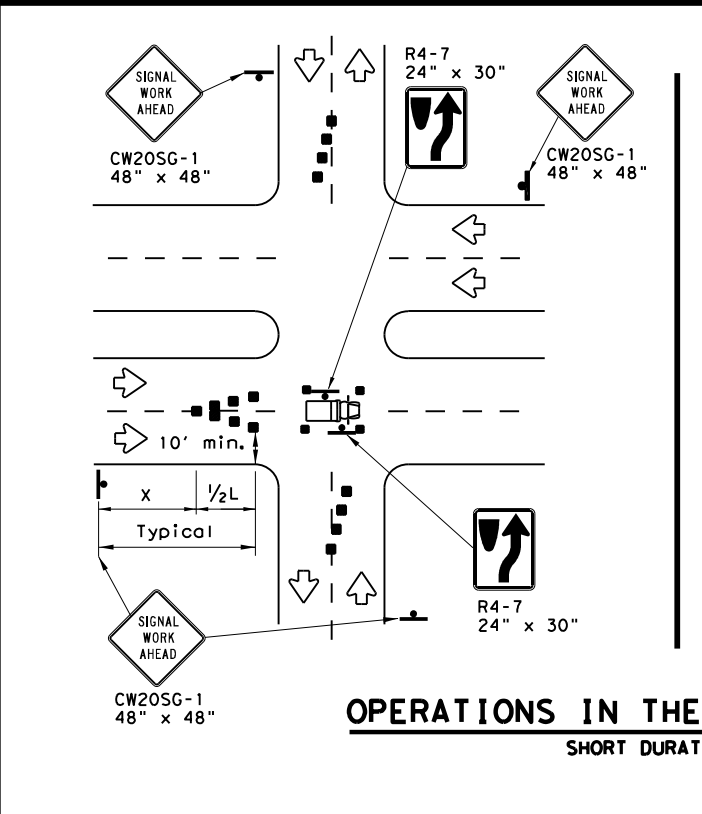


LEGEND			
	Type 3 Barricade		Channelizing Devices
	Heavy Work Vehicle		Truck Mounted Attenuator (TMA)
	Trailer Mounted Flashing Arrow Board		Portable Changeable Message Sign (PCMS)
	Sign		Traffic Flow
	Flag		Flagger

Posted Speed *	Formula	Minimum Desirable Taper Lengths **			Suggested Maximum Spacing of Channelizing Devices		Minimum Sign Spacing "X" Distance	Suggested Longitudinal Buffer Space "B"
		10' Offset	11' Offset	12' Offset	On a Taper	On a Tangent		
30	$L = \frac{WS^2}{60}$	150'	165'	180'	30'	60'	120'	90'
35		205'	225'	245'	35'	70'	160'	120'
40		265'	295'	320'	40'	80'	240'	155'
45	L = WS	450'	495'	540'	45'	90'	320'	195'
50		500'	550'	600'	50'	100'	400'	240'
55		550'	605'	660'	55'	110'	500'	295'
60		600'	660'	720'	60'	120'	600'	350'
65		650'	715'	780'	65'	130'	700'	410'
70		700'	770'	840'	70'	140'	800'	475'
75		750'	825'	900'	75'	150'	900'	540'

* Conventional Roads Only
 ** Taper lengths have been rounded off.
 L=Length of Taper (FT) W=Width of Offset (FT) S=Posted Speed (MPH)

WORKERS IN BUCKET TRUCKS SHALL NOT WORK ABOVE OPEN LANES OF TRAFFIC.



GENERAL NOTES

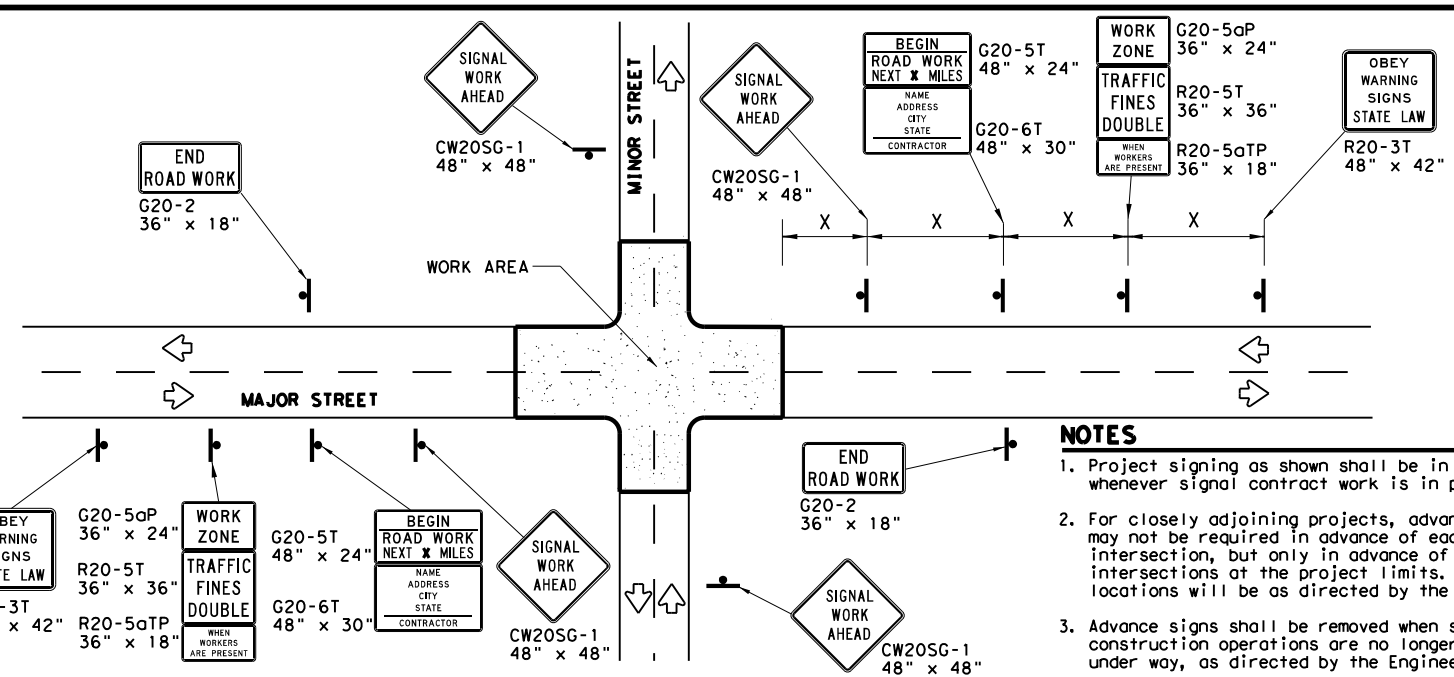
- The minimum size channelizing device is the 28" cone. 42" Two-piece cones, drums, vertical panels or barricades will be required when the device must be left unattended at night.
- Obstructions or hazards at the work area shall be clearly marked and delineated at all times.
- Flaggers and Flagger Symbol (CW20-7) signs may be required according to field conditions.
- Vehicles parked in roadway shall be equipped with at least two high intensity rotating, flashing, oscillating or strobe type lights.
- High level warning devices (flag trees) may be used at corners of the vehicle.
- When work operations are performed on existing signals, the signals may be placed in flashing red mode when approved by the engineer. If existing signals do not have power, All-Way Stop (R1-1 and R1-3P) signs may be implemented when approved by the engineer.
- For Short-Term Stationary work the buffer space "B" from the above table should be used if field conditions permit. For Short Duration (less than 1 hour) any buffer space provided will enhance the safety of the setup.
- The arrow board at this location may be omitted for Short Duration work if the work vehicle has an arrow board in operation. As an option, the arrow board may be placed at the end of the taper in the closed lane if space is not available at the beginning of the taper.
- Signs and devices for the NEAR SIDE LANE CLOSURE may be altered for a left lane closure by using a LEFT LANE CLOSED (CW20-5TL) and adding channelizing devices on the centerline to protect the work space from opposing traffic.

TRAFFIC SIGNAL WORK TYPICAL DETAILS

WZ(BTS-1)-13

FILE:	wzbt13-13.dgn	DN:	TxDOT	CR:	TxDOT	DW:	TxDOT	CK:	TxDOT
© TxDOT	April 1992	CONT	SECT	JOB	HIGHWAY				
REVISIONS		091500	253	VARIOUS					
2-98	10-99	7-13	DIST	COUNTY	SHEET NO.				
4-98	3-03	SAT	BEXAR	38					

No warranty of any kind is made by TxDOT for any purpose whatsoever. TxDOT assumes no responsibility for the conversion of this standard to metric units. The use of this standard is governed by the "Texas Engineering Practice Act". No warranty of any kind is made by TxDOT for any purpose whatsoever. TxDOT assumes no responsibility for the conversion of this standard to metric units.



TYPICAL ADVANCE SIGNAL PROJECT SIGNING
FOR LONG TERM and INTERMEDIATE-TERM STATIONARY WORK OPERATIONS

- NOTES**
1. Project signing as shown shall be in place whenever signal contract work is in progress.
 2. For closely adjoining projects, advance signing may not be required in advance of each intersection, but only in advance of the intersections at the project limits. Actual locations will be as directed by the Engineer.
 3. Advance signs shall be removed when signal construction operations are no longer under way, as directed by the Engineer.
 4. Warning sign spacing shown is typical for both directions.
 5. See the Table on sheet 1 of 2 for Typical warning sign spacing.

GENERAL NOTES FOR WORK ZONE SIGNS

1. Signs shall be installed and maintained in a straight and plumb condition.
2. Wooden sign posts shall be painted white.
3. Barricades shall NOT be used as sign supports.
4. Nails shall NOT be used to attach signs to any support.
5. All signs shall be installed in accordance with the plans or as directed by the Engineer.
6. The Contractor shall furnish the sign design shown in the plans or in the "Standard Highway Sign Designs for Texas" (SHSD).
7. The Contractor shall furnish sign supports and substrates listed in the "Compliant Work Zone Traffic Control Device List" (CWZTCD), installed as per the manufacturer's recommendations.
8. Temporary signs that have damaged or cracked substrates and/or damaged or marred reflective sheeting shall be replaced as directed by the Engineer.
9. Identification markings may be shown only on the back of the sign substrate. The maximum height of letters and/or company logos used for identification shall be 1".
10. Damaged wood posts shall be replaced. Splicing wood posts will not be allowed.

DURATION OF WORK

1. Work zone durations are defined in Part 6, Section 60.02 of the Texas Manual on Uniform Traffic Control Devices (TMUTCD).

SIGN MOUNTING HEIGHT

1. Sign height of Long-term/Intermediate-term warning signs shall be as shown on Figure 6F-1 of the TMUTCD.
2. Sign height of Short-term/Short Duration warning signs shall be as shown on Figure 6F-2 of the TMUTCD.
3. Regulatory signs shall be mounted at least 7 feet, but not more than 9 feet, above the paved surface regardless of work duration.

REMOVING OR COVERING

1. When sign messages may be confusing or do not apply, the signs shall be removed or completely covered, unless otherwise approved by the Engineer.
2. When signs are covered, the material used shall be opaque, such as heavy mil black plastic, or other materials which will cover the entire sign face and maintain their opaque properties under automobile headlights at night without damaging the sign sheeting. Burlap, or heavy materials such as plywood or aluminum shall not be used to cover signs.
3. Duct tape or other adhesive material shall NOT be affixed to a sign face.
4. Signs and anchor stubs shall be removed and holes back filled upon completion of the work.

REFLECTIVE SHEETING

1. All signs shall be retroreflective and constructed of sheeting meeting the requirements of the DMS and color usage table shown on this sheet.

SIGN SUPPORT WEIGHTS

1. Weights used to keep signs from turning over should be sandbags filled with dry, cohesionless material.
2. The sandbags will be tied shut to keep the sand from spilling and to maintain a constant weight.
3. Rock, concrete, iron, steel or other solid objects will not be permitted for use as sign support weights.
4. Sandbags should weigh a minimum of 35 lbs and a maximum of 50 lbs.
5. Sandbags shall be made of a durable material that tears upon vehicular impact. Rubber, such as tire inner tubes, shall not be used.
6. Rubber ballasts designed for channelizing devices should not be used for ballast on portable sign supports. Sign supports designed and manufactured with rubber bases may be used when shown on the CWZTCD list.
7. Sandbags shall only be placed along or laid over the base supports of the traffic control device and shall not be suspended above ground level or hung with rope, wire, chains or other fasteners. Sandbags shall be placed along the length of the skirts to weigh down the sign support.
8. Sandbags shall NOT be placed under the skid and shall not be used to level sign supports placed on slopes.

LEGEND

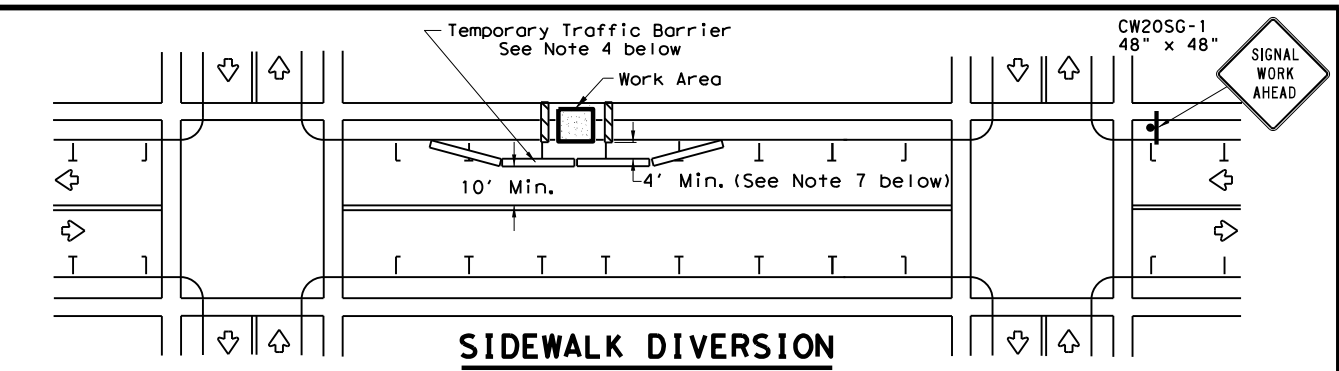
	Sign
	Channelizing Devices
	Type 3 Barricade

DEPARTMENTAL MATERIAL SPECIFICATIONS

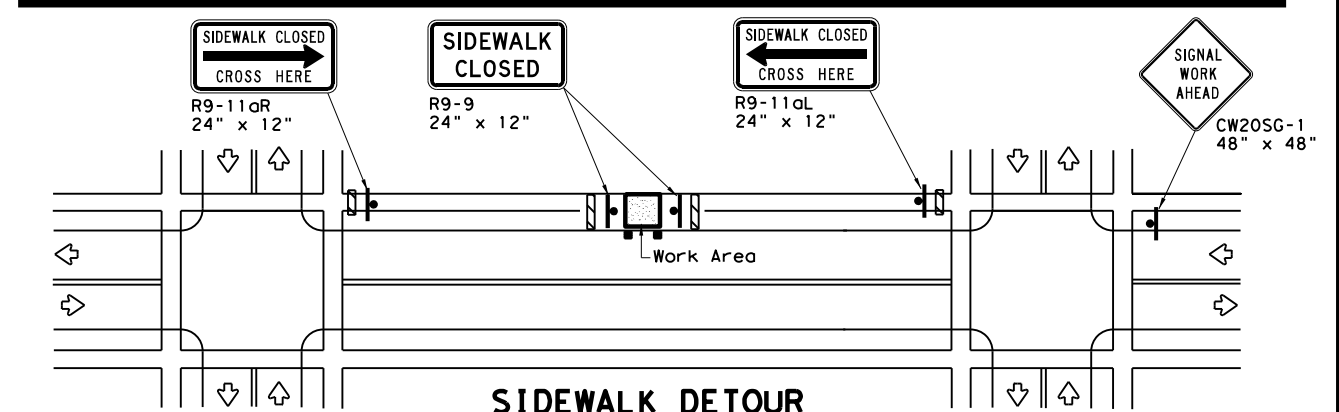
SIGN FACE MATERIALS	DMS-8300
FLEXIBLE ROLL-UP REFLECTIVE SIGNS	DMS-8310

COLOR	USAGE	SHEETING MATERIAL
ORANGE	BACKGROUND	TYPE B _{FL} OR TYPE C _{FL} SHEETING
WHITE	BACKGROUND	TYPE A SHEETING
BLACK	LEGEND & BORDERS	ACRYLIC NON-REFLECTIVE SHEETING

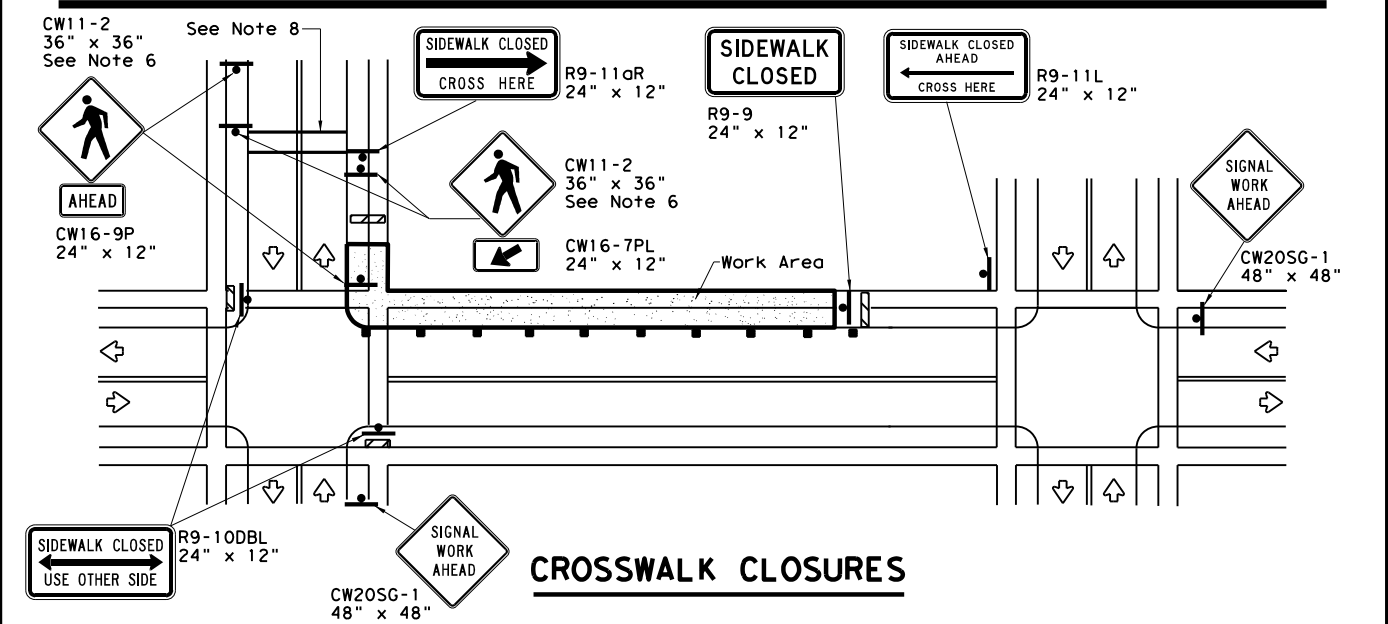
Only pre-qualified products shall be used. A copy of the "Compliant Work Zone Traffic Control Devices List" (CWZTCD) describes pre-qualified products and their sources and may be found at the following web address:
http://www.txdot.gov/txdot_library/publications/construction.htm



SIDEWALK DIVERSION



SIDEWALK DETOUR



CROSSWALK CLOSURES

PEDESTRIAN CONTROL

1. Holes, trenches or other hazards shall be adequately protected by covering, delineating or surrounding the hazard with orange plastic pedestrian fencing or longitudinal channelizing devices, or as directed by the Engineer.
2. "CROSSWALK CLOSURES" as detailed above will require the Engineer's approval prior to installation.
3. R9 series signs shown may be placed on supports detailed on the BC standards or CWZTCD list, or when fabricated from approved lightweight plastic substrates, they may be mounted on top of a plastic drum at or near the location shown.
4. For speeds less than 45 mph longitudinal channelizing devices may be used instead of traffic barriers when approved by the Engineer. Attenuation of blunt ends and installation of water filled devices shall be as per BC(9) and manufacturer's recommendations.
5. Location of devices are for general guidance. Actual device spacing and location must be field adjusted to meet actual conditions.
6. Where pedestrians with visual disabilities normally use the closed sidewalk Detectable Pedestrian Barricades should be used instead of the Type 3 Barricades shown.
7. The width of existing sidewalk should be maintained if practical.
8. Pavement markings for mid-block crosswalks shall be paid for under the appropriate bid items.
9. When crosswalks or other pedestrian facilities are closed or relocated, temporary facilities shall be detectable and shall include accessibility features consistent with the features present in the existing pedestrian facility.

Texas Department of Transportation Traffic Operations Division Standard

TRAFFIC SIGNAL WORK BARRICADES AND SIGNS

WZ (BTS-2) - 13

FILE:	wzBts-13.dgn	DW:	TxDOT	CR:	TxDOT	DW:	TxDOT	CR:	TxDOT
REVISIONS	0915 00	CONT	SECT	JOB	253	HIGHWAY	VARIOUS		
2-98	10-99	7-13	DIST	COUNTY	SHEET NO.				
4-98	3-03	SAT	BEXAR		39				

DISCLAIMER: The use of this standard is governed by the "Texas Engineering Practice Act". No warranty of any kind is made by TxDOT for any purpose whatsoever. TxDOT assumes no responsibility for the conversion of this standard to other formats or for incorrect results or damages resulting from its use.

DATE: 10/17/2022 1:54:50 PM
 FILE: I:\Traffic\Design\District PS&E Tracking\P\lon_Review\Bexar\0915-00-253 (Districtwide Non-Site Specific Traffic Signals)\Standards\SMD\smgen-08.dgn

SIGN SUPPORT DESCRIPTIVE CODES

(Descriptive Codes correspond to project estimate and quantities sheets)

SM RD SGN ASSM TY XXXXX(X)XX(X-XXXX)

Post Type

FRP = Fiberglass Reinforced Plastic Pipe (see SMD(FRP))
 TWT = Thin-Walled Tubing (see SMD(TWT))
 10BWG = 10 BWG Tubing (see SMD(SLIP-1) to (SLIP-3))
 S80 = Schedule 80 Pipe (see SMD(SLIP-1) to (SLIP-3))

Number of Posts (1 or 2)

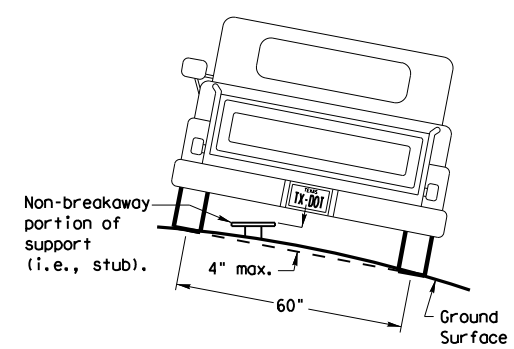
Anchor Type

UA = Universal Anchor - Concreted (see SMD(FRP) and (TWT))
 UB = Universal Anchor - Bolted down (see SMD(FRP) and (TWT))
 WS = Wedge Anchor Steel - (see SMD(TWT))
 WP = Wedge Anchor Plastic (see SMD(TWT))
 SA = Slipbase - Concreted (see SMD(SLIP-1) to (SLIP-3))
 SB = Slipbase - Bolted Down (see SMD(SLIP-1) to (SLIP-3))

Sign Mounting Designation

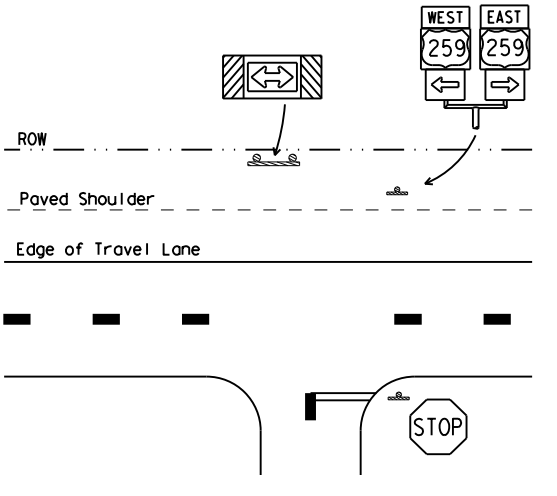
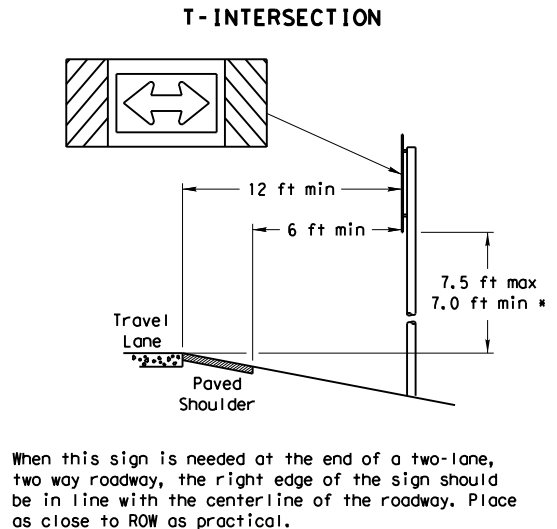
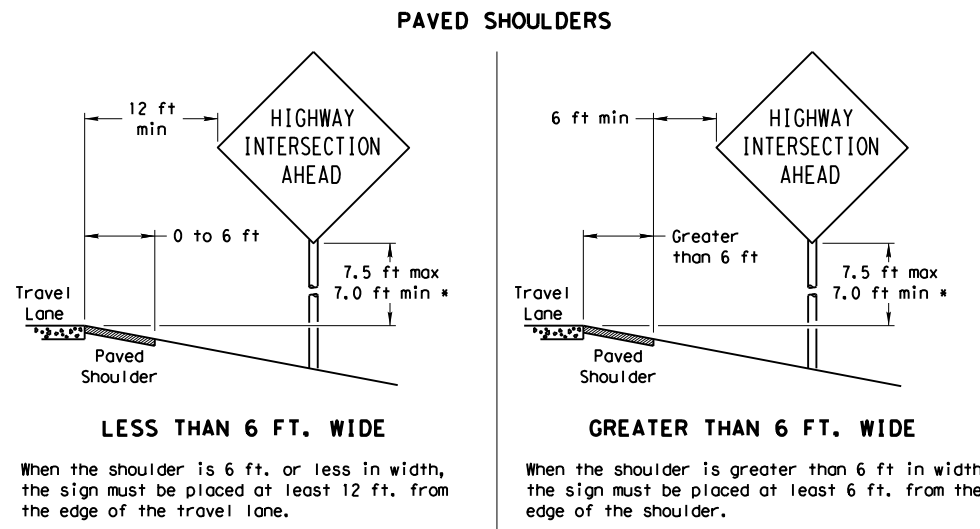
P = Prefab. "Plain" (see SMD(SLIP-1) to (SLIP-3), (TWT), (FRP))
 T = Prefab. "T" (see SMD(SLIP-1) to (SLIP-3), (TWT))
 U = Prefab. "U" (see SMD(SLIP-1) to (SLIP-3))
 IF REQUIRED
 1EXT or 2EXT = Number of Extensions (see SMD(SLIP-1) to (SLIP-3), (TWT))
 BM = Extruded Wind Beam (see SMD(SLIP-1) to (SLIP-3))
 WC = 1.12 #/ft Wing Channel (see SMD(SLIP-1) to (SLIP-3))
 EXAL = Extruded Aluminum Sign Panels (see SMD(SLIP-3))

REQUIRED CLEARANCE FOR BREAKAWAY SUPPORT



To avoid vehicle undercarriage snagging, any substantial remains of a breakaway support, when it is broken away, should not project more than 4 inches above a 60-inch chord (i.e., typical space between wheel paths).

SIGN LOCATION



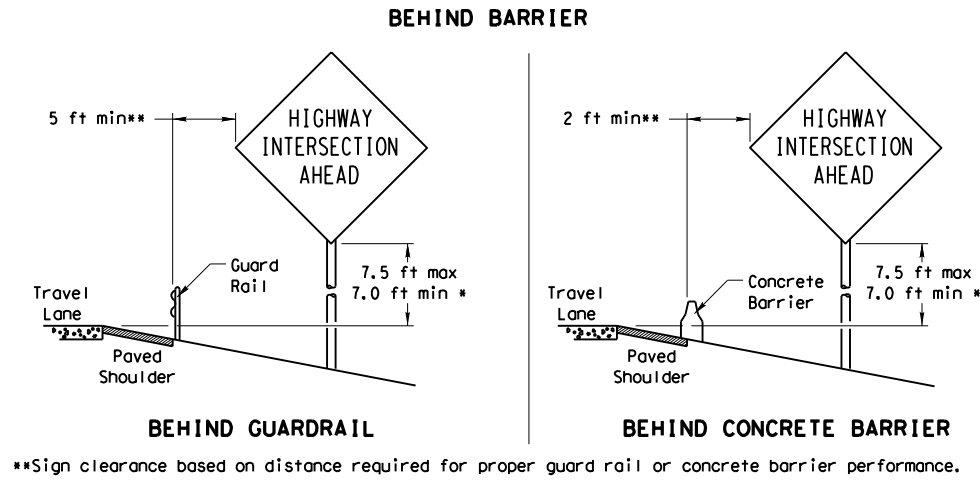
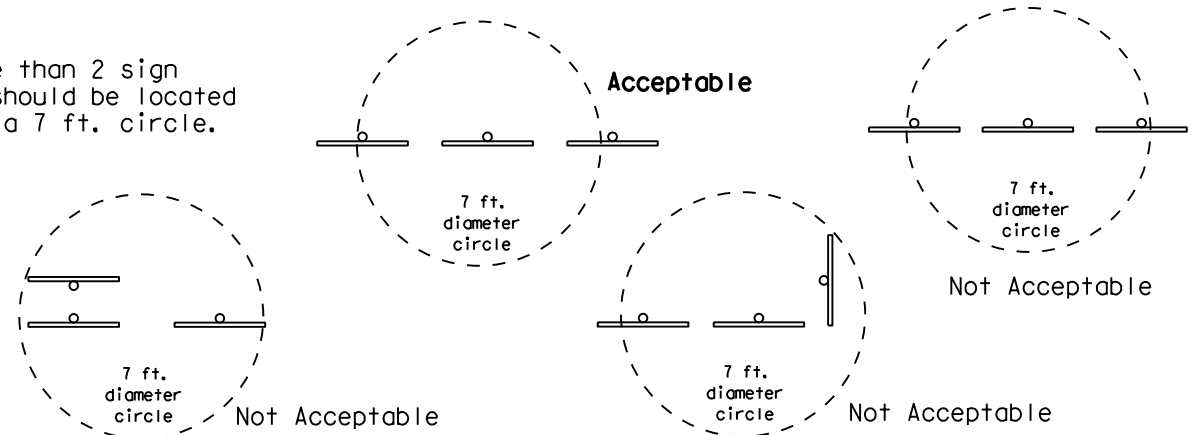
* Signs shall be mounted using the following condition that results in the greatest sign elevation:

- (1) a minimum of 7 to a maximum of 7.5 feet above the edge of the travel lane or
- (2) a minimum of 7 to a maximum of 7.5 feet above the grade at the base of the support when sign is installed on the backslope.

The maximum values may be increased when directed by the Engineer.

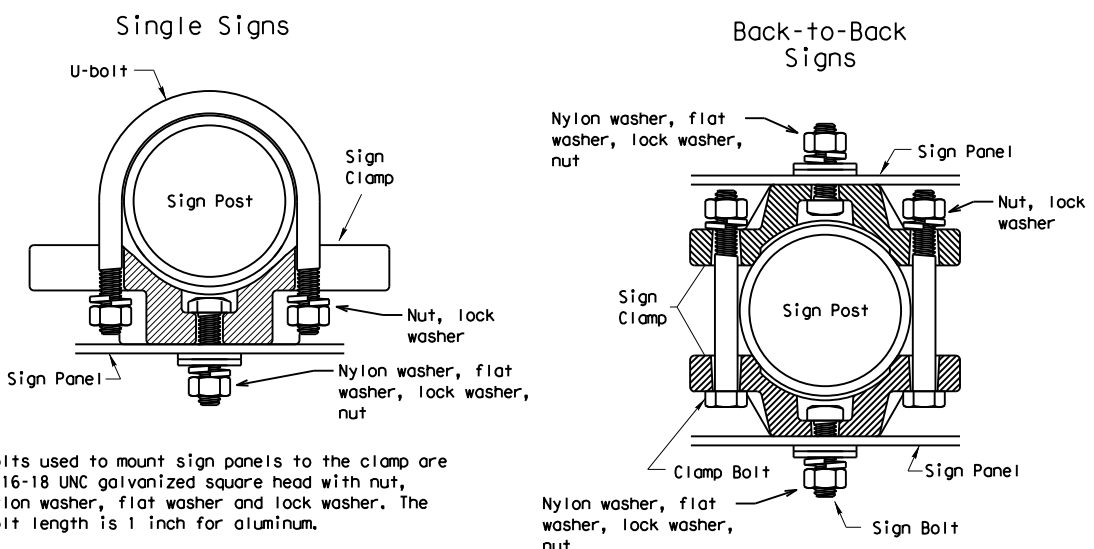
See the Traffic Operations Division website for detailed drawings of sign clamps, Triangular Slipbase System components and Wedge Anchor System components.

The website address is:
<http://www.txdot.gov/publications/traffic.htm>



**Sign clearance based on distance required for proper guard rail or concrete barrier performance.

TYPICAL SIGN ATTACHMENT DETAIL



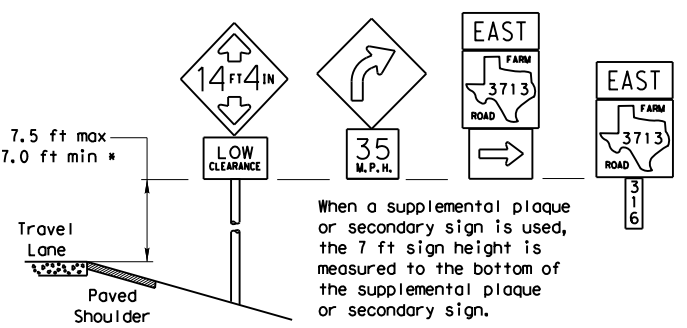
Bolts used to mount sign panels to the clamp are 5/16-18 UNC galvanized square head with nut, nylon washer, flat washer and lock washer. The bolt length is 1 inch for aluminum.

When two sign clamps are used to mount signs back-to-back, use a 5/16-18 UNC galvanized hex head per ASTM A307 with nut and helical-spring lock washer. The approximate bolt lengths for various post sizes and sign clamp types are given in the table at right. The bolt length may need to be adjusted depending upon field conditions.

Sign clamps may be either the specific size clamp or the universal clamp.

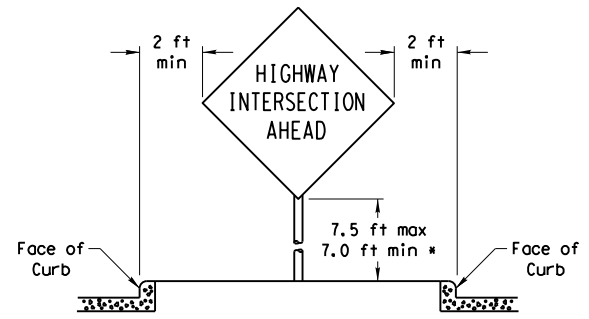
Pipe Diameter	Approximate Bolt Length	
	Specific Clamp	Universal Clamp
2" nominal	3"	3 or 3 1/2"
2 1/2" nominal	3 or 3 1/2"	3 1/2 or 4"
3" nominal	3 1/2 or 4"	4 1/2"

SIGNS WITH PLAQUES

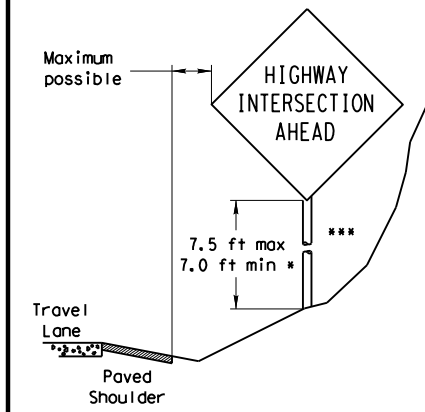


When a supplemental plaque or secondary sign is used, the 7 ft sign height is measured to the bottom of the supplemental plaque or secondary sign.

CURB & GUTTER OR RAISED ISLAND



RESTRICTED RIGHT-OF-WAY (When 6 ft min. is not possible.)



Right-of-way restrictions may be created by rocks, water, vegetation, forest, buildings, a narrow island, or other factors.

In situations where a lateral restriction prevents the minimum horizontal clearance from the edge of the travel lane, signs should be placed as far from the travel lane as practical.

*** Post may be shorter if protected by guardrail or if Engineer determines the post could not be hit due to extreme slope.



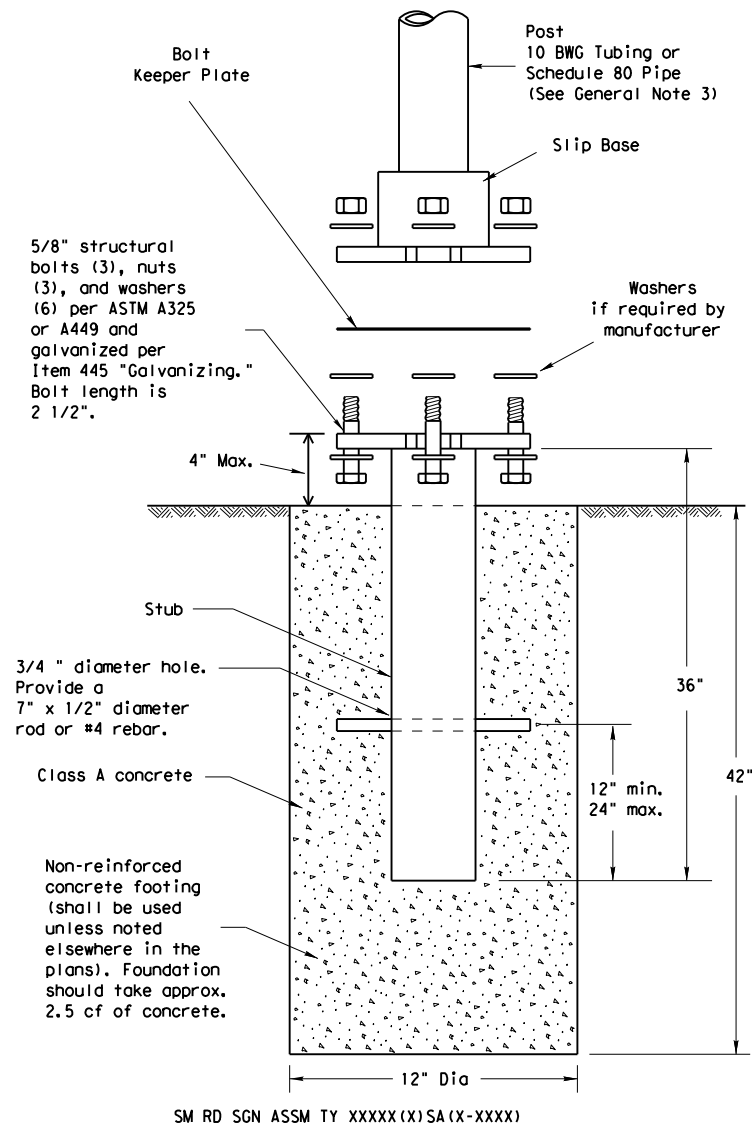
SIGN MOUNTING DETAILS SMALL ROADSIDE SIGNS GENERAL NOTES & DETAILS

SMD (GEN) - 08

© TxDOT July 2002		DN: TxDOT	CK: TxDOT	DW: TxDOT	CK: TxDOT
9-08	REVISIONS	CONT	SECT	JOB	HIGHWAY
		0915	00	253	VARIOUS
		DIST	COUNTY		SHEET NO.
		SAT	BEXAR		40

DISCLAIMER: The use of this standard is governed by the "Texas Engineering Practice Act". No warranty of any kind is made by TxDOT for any purpose whatsoever. TxDOT assumes no responsibility for the conversion of this standard to other formats or for incorrect results or damages resulting from its use.
 DATE: 10/17/2022 1:54:51 PM
 FILE: I:\Traffic\Design\District PS&E Tracking\Plan_Review\Bexar\0915-00-253 (Districtwide Non-Site Specific Traffic Signals)\Standards\SMD\smas1.dgn

TRIANGULAR SLIPBASE INSTALLATION GENERAL REQUIREMENTS



NOTE

There are various devices approved for the Triangular Slipbase System. Please reference the Material Producer List for approved slip base systems. http://www.txdot.gov/business/producer_list.htm The devices shall be installed per manufacturers' recommendations. Installation procedures shall be provided to the Engineer by Contractor.

GENERAL NOTES:

- Slip base shall be permanently marked to indicate manufacturer. Method, design, and location of marking are subject to approval of the TxDOT Traffic Standards Engineer.
- Material used as post with this system shall conform to the following specifications:
 - 10 BWG Tubing (2.875" outside diameter)
 - 0.134" nominal wall thickness
 - Seamless or electric-resistance welded steel tubing or pipe
 - Steel shall be HSLAS Gr 55 per ASTM A1011 or ASTM A1008
 - Other steels may be used if they meet the following:
 - 55,000 PSI minimum yield strength
 - 70,000 PSI minimum tensile strength
 - 20% minimum elongation in 2"
 - Wall thickness (uncoated) shall be within the range of 0.122" to 0.138"
 - Outside diameter (uncoated) shall be within the range of 2.867" to 2.883"
 - Galvanization per ASTM A123 or ASTM A653 G210. For precoated steel tubing (ASTM A653), recoat tube outside diameter weld seam by metallizing with zinc wire per ASTM B833.
 - Schedule 80 Pipe (2.875" outside diameter)
 - 0.276" nominal wall thickness
 - Steel tubing per ASTM A500 Gr C
 - Other seamless or electric-resistance welded steel tubing or pipe with equivalent outside diameter and wall thickness may be used if they meet the following:
 - 46,000 PSI minimum yield strength
 - 62,000 PSI minimum tensile strength
 - 21% minimum elongation in 2"
 - Wall thickness (uncoated) shall be within the range of 0.248" to 0.304"
 - Outside diameter (uncoated) shall be within the range of 2.855" to 2.895"
 - Galvanization per ASTM A123
- See the Traffic Operations Division website for detailed drawings of sign clamps and Texas Universal Triangular Slipbase System components. The website address is: <http://www.txdot.gov/publications/traffic.htm>
- Sign supports shall not be spliced except where shown. Sign support posts shall not be spliced.

ASSEMBLY PROCEDURE

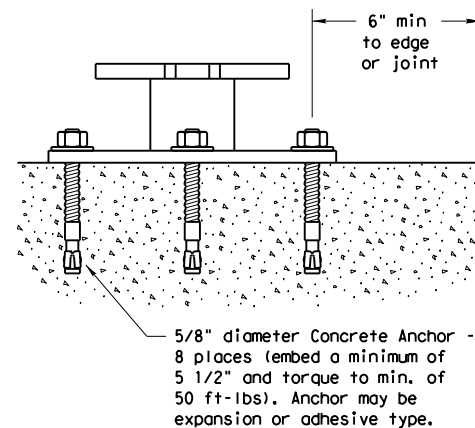
Foundation

- Prepare 12-inch diameter by 42-inch deep hole. If solid rock is encountered, the depth of the foundation may be reduced such that it is embedded a minimum of 18 inches into the solid rock.
- The Engineer may permit batches of concrete less than 2 cubic yards to be mixed with a portable, motor-driven concrete mixer. For small placements less than 0.5 cubic yards, hand mixing in a suitable container may be allowed by Engineer. Concrete shall be Class A.
- Push the pipe end of the slip base stub into the center of the concrete. Rotate the stub back and forth while pushing it down into the concrete to assure good contact between the concrete and stub. Continue to work the stub into the concrete until it is between 2 to 4 inches above the ground.
- Plumb the stub. Allow a minimum of 4 days to set, unless otherwise directed by the Engineer.
- The triangular slipbase system is multidirectional and is designed to release when struck from any direction.

Support

- Cut support so that the bottom of the sign will be 7 to 7.5 feet above the edge of the travelway (i.e., edge of the closest lane) when slip plate is below the edge of pavement or 7 to 7.5 feet above slip plate when the slip plate is above the edge of the travelway. The cut shall be plumb and straight.
- Attach sign to support using connections shown. When multiple signs are installed on the same support, ensure the minimum clearance between each sign is maintained. See SMD(SLIP-2) for clearances based on sign types.

CONCRETE ANCHOR



SM RD SGN ASSM TY XXXXX(X)SB(X-XXXX)

Concrete anchor consists of 5/8" diameter stud bolt with UNC series bolt threads on the upper end. Heavy hex nut per ASTM A563, and hardened washer per ASTM F436. The stud bolt shall have a minimum yield and ultimate tensile strength of 50 and 75 KSI, respectively. Nuts, bolts and washers shall be galvanized per Item 445, "Galvanizing." Adhesive type anchors shall have stud bolts installed with Type III epoxy per DMS-6100, "Epoxyes and Adhesives." Adhesive anchors may be loaded after adequate epoxy cure time per the manufacturer's recommendations. Top of bolt shall extend at least flush with top of the nut when installed. The anchor, when installed in 4000 psi normal-weight concrete with a 5 1/2" minimum embedment, shall have a minimum allowable tension and shear of 3900 and 3100 psi, respectively.



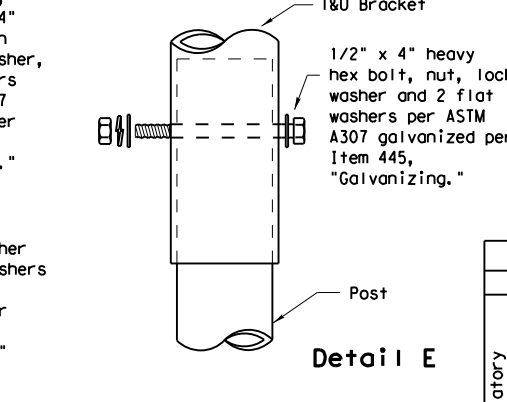
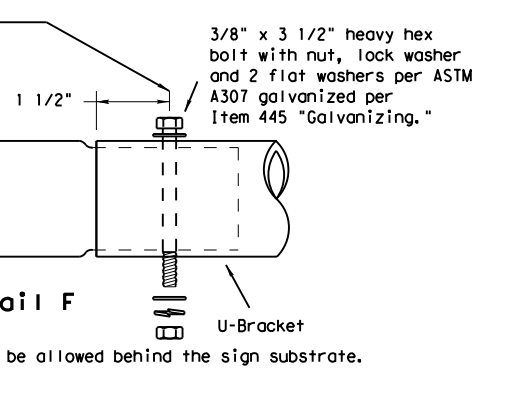
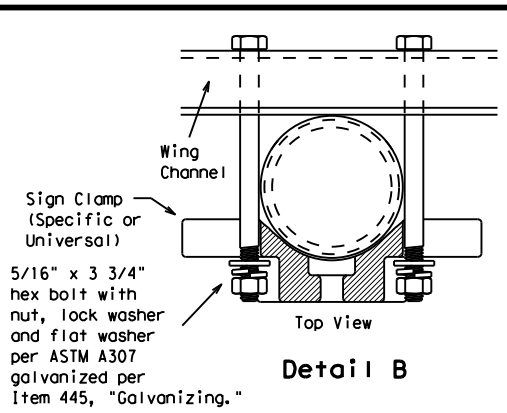
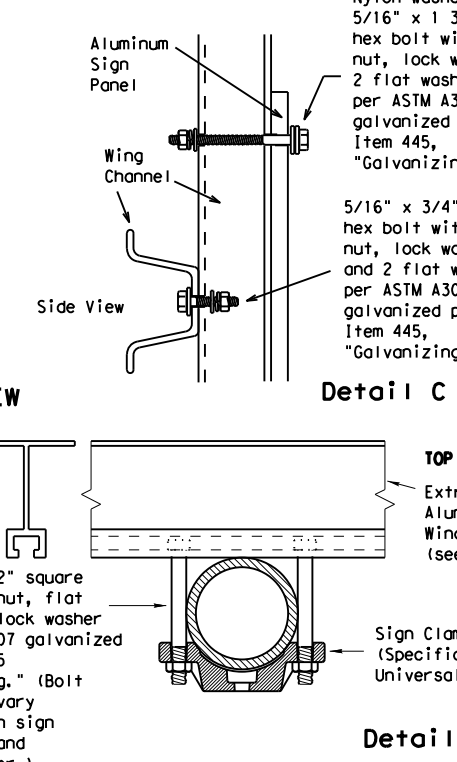
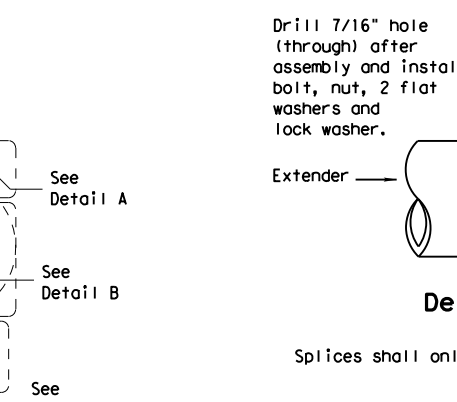
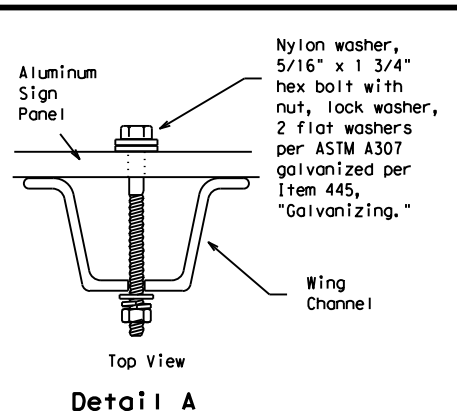
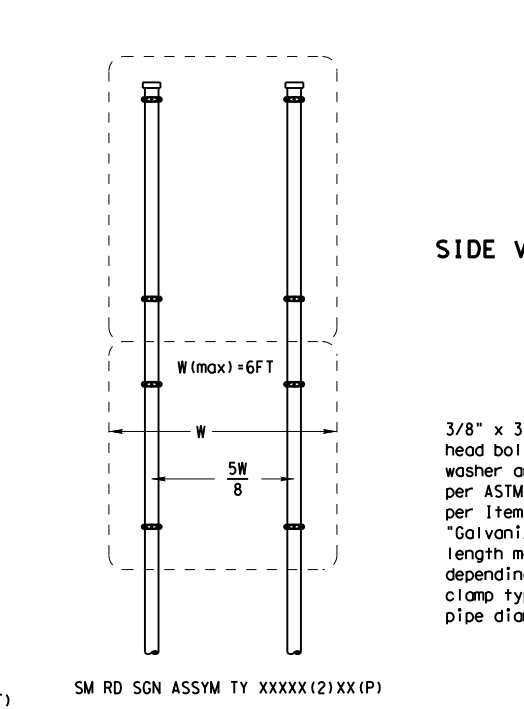
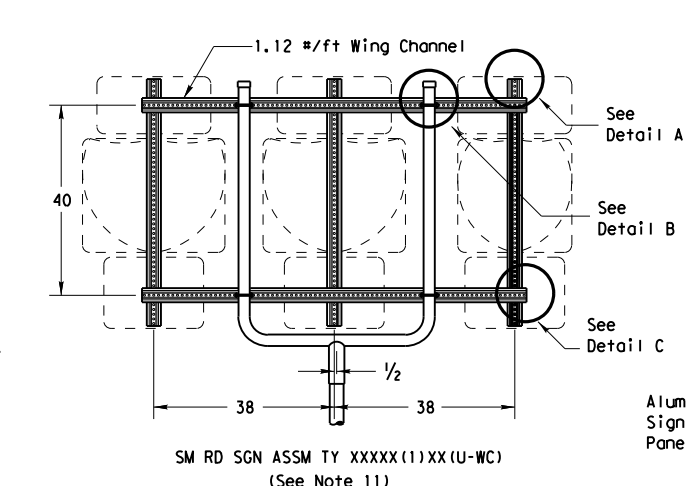
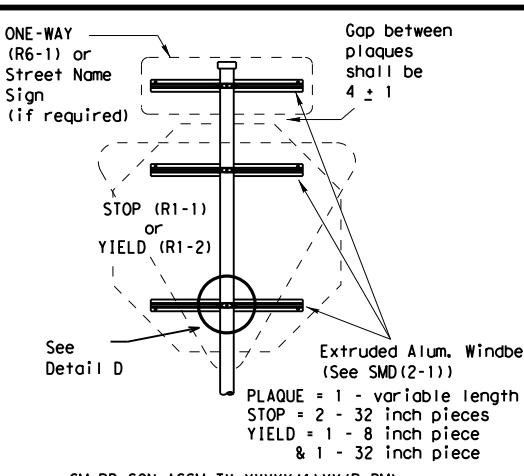
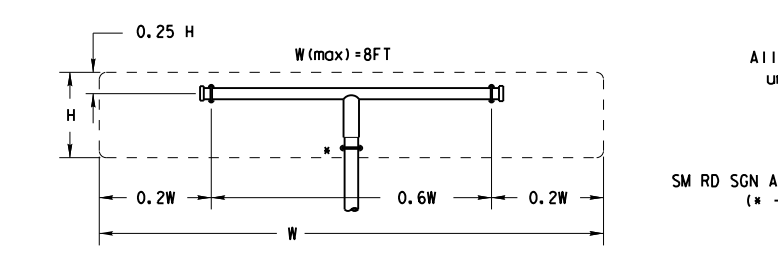
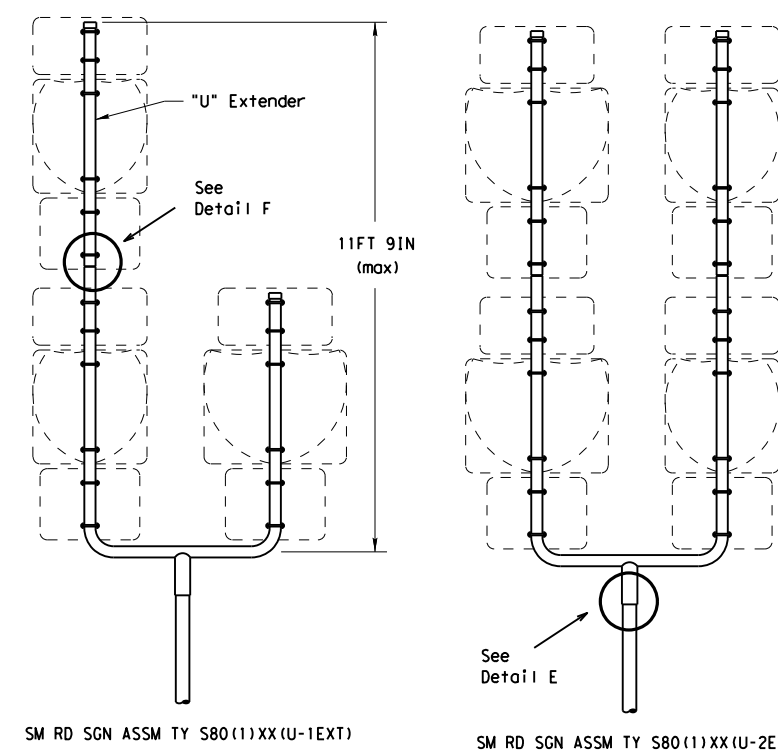
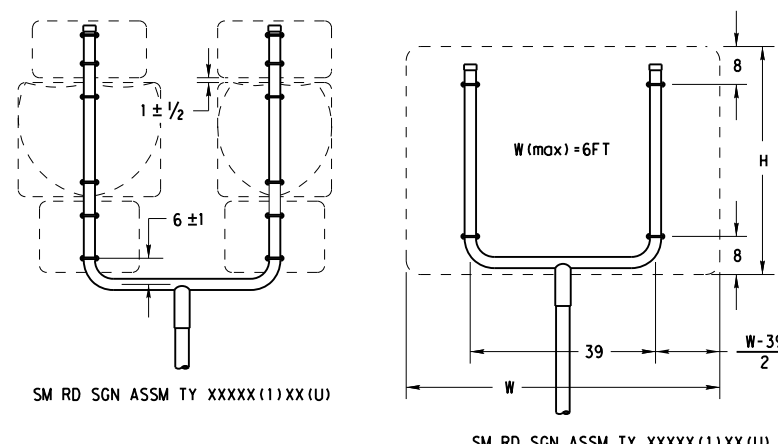
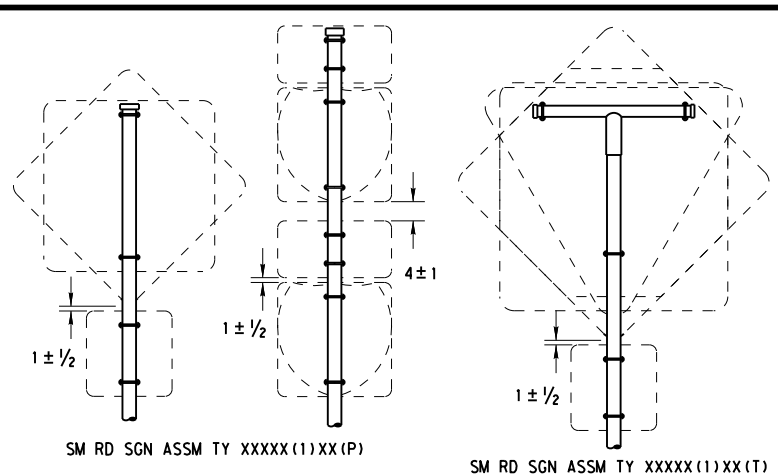
SIGN MOUNTING DETAILS SMALL ROADSIDE SIGNS TRIANGULAR SLIPBASE SYSTEM

SMD(SLIP-1)-08

© TxDOT July 2002		DN: TxDOT	CK: TxDOT	DW: TxDOT	CK: TxDOT
9-08	REVISIONS		CONT	SECT	JOB
			0915	00	253
			DIST	COUNTY	SHEET NO.
		SAT	BEXAR	41	

DISCLAIMER: The use of this standard is governed by the "Texas Engineering Practice Act". No warranty of any kind is made by TxDOT for any purpose whatsoever. TxDOT assumes no responsibility for the conversion of this standard to other formats or for incorrect results or damages resulting from its use.

DATE: 10/17/2022 1:54:51 PM
 FILE: I:\Traffic\Design\District PS&E Tracking\Plan_Review\Bexar\0915-00-253 (Districtwide Non-Site Specific Traffic Signals)\Standards\SMD_smds2.dgn



GENERAL NOTES:

SIGN SUPPORT	# OF POSTS	MAX. SIGN AREA
10 BWG	1	16 SF
10 BWG	2	32 SF
Sch 80	1	32 SF
Sch 80	2	64 SF

- The Engineer may require that a Schedule 80 post be used in place of a 10 BWG where a sign height is abnormally high due to a fill slope.
- Sign supports shall not be spliced except where shown. Sign support posts shall not be spliced.
- Aluminum sign blanks shall conform to Departmental Material Specifications DMS-7110 and shall have the following minimum thicknesses: 0.080 for signs less than 7.5 sq. ft., 0.100 for signs 7.5 to 15 sq. ft., and 0.125 for signs greater than 15 sq. ft.
- Signs that require specific supports due to reasons in addition to windloading are indicated on the "REQUIRED SUPPORT" table on this sheet.
- For horizontal rectangular signs fabricated from flat aluminum, T-brackets are used for signs 24 inches or less in height. U-brackets are used for signs of greater height.
- When two triangular slipbase supports are used to support a single sign, they shall not be "rigidly" connected to each other except through the sign panel. This will allow each support to act independently when impacted by an errant vehicle.
- Wing channel shall meet ASTM A 1011 SS Gr 50 and be galvanized per ASTM A 123.
- Excess pipe, wing channel, or windbeam shall be cut off so that it does not extend beyond the sign panel (i.e., excess support shall not be visible when the sign is viewed from the front.) Repair galvanized coating at cut support ends per Item 445, "Galvanizing."
- Additional route markers may be added vertically, provided the total sign area does not exceed the maximum allowable amount per Note 1.
- Additional sign clamp required on the "T-bracket" post for 24 inch height signs. Place the clamp 3 inches above bottom of sign when possible.
- Post open ends shall be fitted with Friction Caps.
- Sign blanks shall be the sizes and shapes shown on the plans.

	REQUIRED SUPPORT	
	SIGN DESCRIPTION	SUPPORT
Regulatory	48-inch STOP sign (R1-1)	TY 10BWG(1)XX(T) TY 10BWG(1)XX(P-BM)
	60-inch YIELD sign (R1-2)	TY 10BWG(1)XX(T) TY 10BWG(1)XX(P-BM)
	48x16-inch ONE-WAY sign (R6-1)	TY 10BWG(1)XX(T) TY 10BWG(1)XX(P-BM)
	36x48, 48x36, and 48x48-inch signs	TY 10BWG(1)XX(T)
Warning	48x60-inch signs	TY S80(1)XX(T)
	48x48-inch signs (diamond or square)	TY 10BWG(1)XX(T)
	48x60-inch signs	TY S80(1)XX(T)
	48-inch Advance School X-ing sign (S1-1)	TY 10BWG(1)XX(T)
	48-inch School X-ing sign (S2-1)	TY 10BWG(1)XX(T)
	Large Arrow sign (W1-6 & W1-7)	TY 10BWG(1)XX(T)

Texas Department of Transportation
 Traffic Operations Division

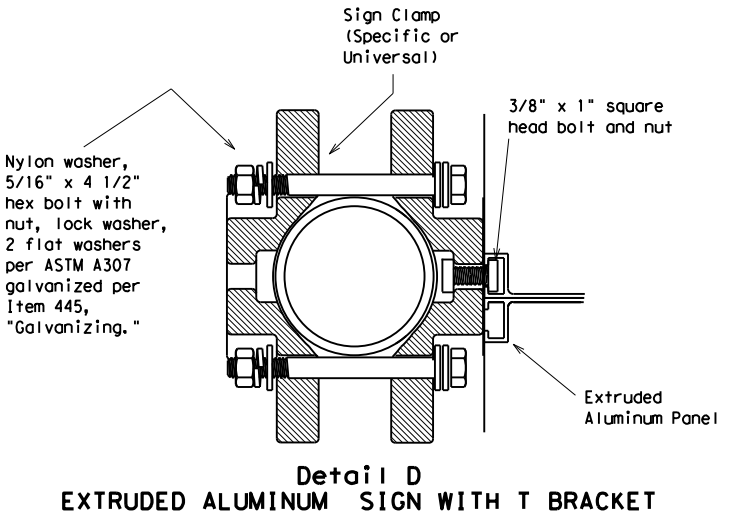
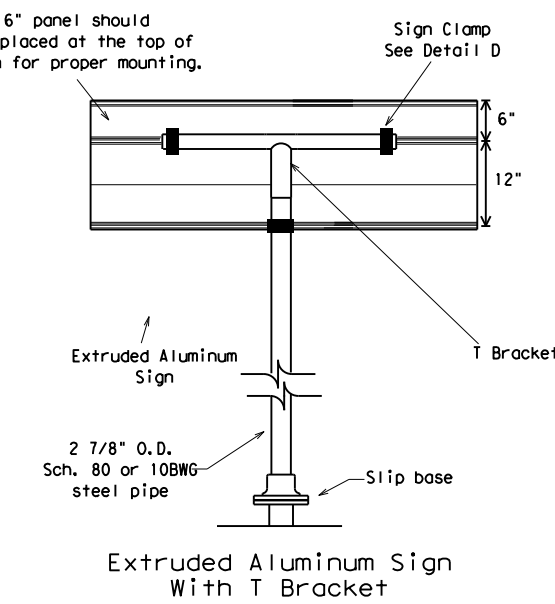
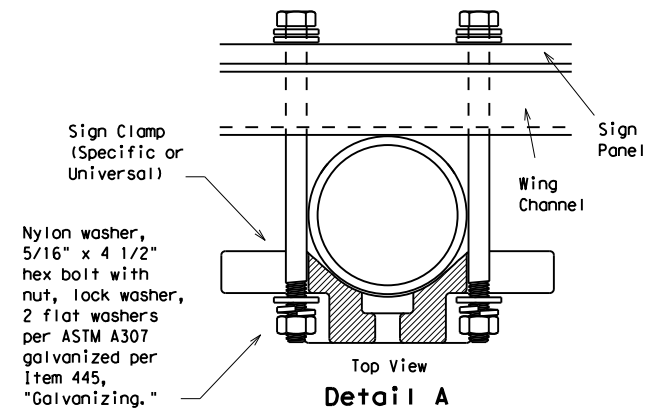
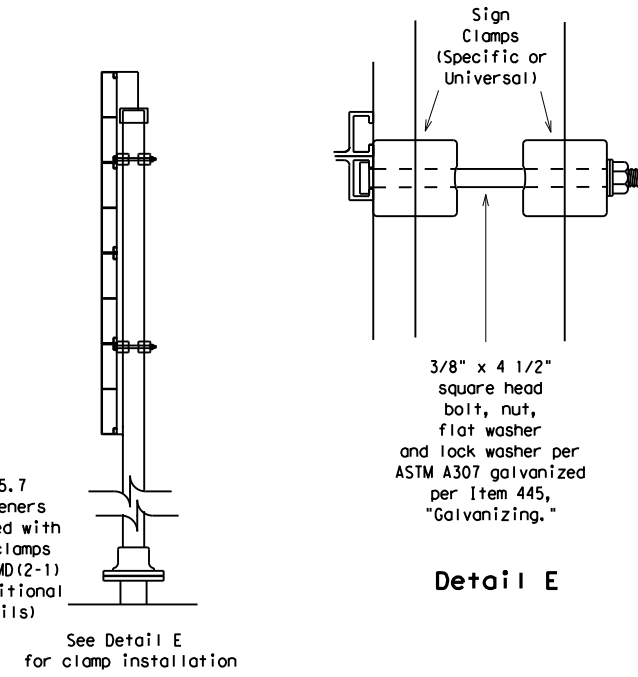
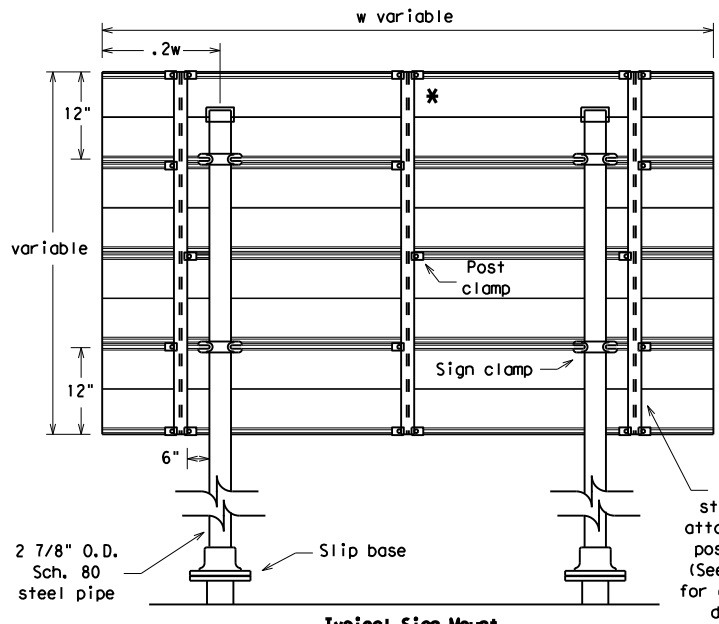
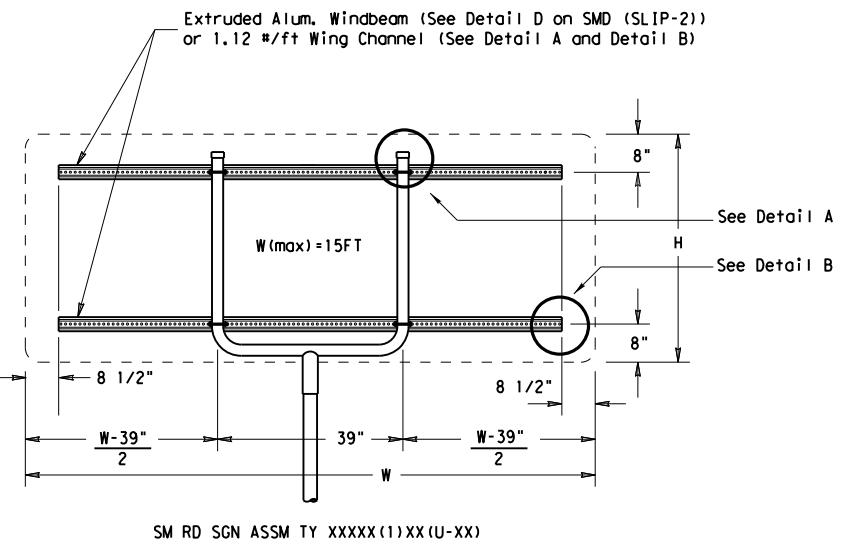
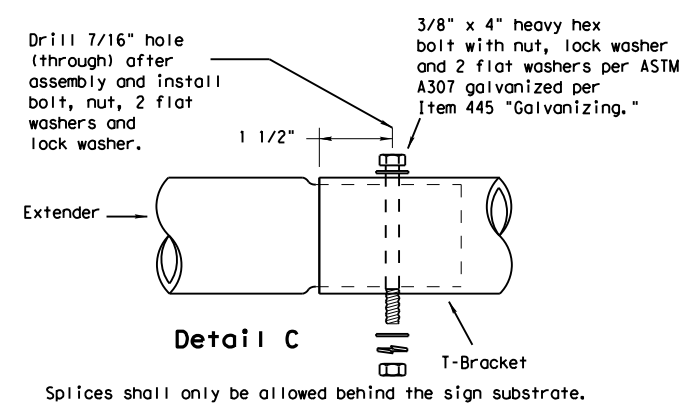
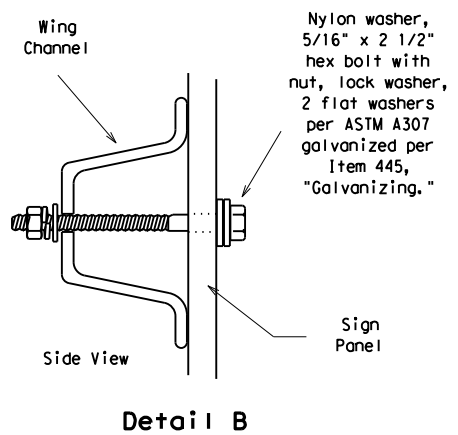
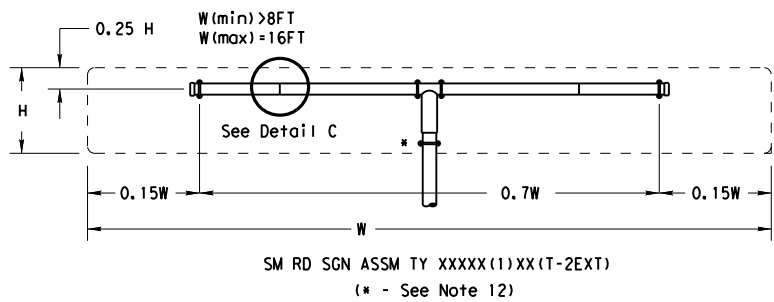
SIGN MOUNTING DETAILS
SMALL ROADSIDE SIGNS
TRIANGULAR SLIPBASE SYSTEM
SMD(SLIP-2)-08

© TxDOT July 2002		DN: TxDOT	CK: TxDOT	DW: TxDOT	CR: TxDOT
9-08	REVISIONS	CON: 0915 00	SECT: 253	JOB: HIGHWAY	VARIOUS
		DIST: SAT	COUNTY: BEXAR	SHEET NO. 42	

All dimensions are in english unless detailed otherwise.

DISCLAIMER: The use of this standard is governed by the "Texas Engineering Practice Act". No warranty of any kind is made by TxDOT for any purpose whatsoever. TxDOT assumes no responsibility for the conversion of this standard to other formats or for incorrect results or damages resulting from its use.

DATE: 10/17/2022 1:54:51 PM
 FILE: I:\Traffic\Design\District PS&E Tracking\Plan Review\Bexar\0915-00-253 (Districtwide Non-Site Specific Traffic Signals)\Standards\SMD\smds3.dgn



GENERAL NOTES:

- | SIGN SUPPORT | # OF POSTS | MAX. SIGN AREA |
|--------------|------------|----------------|
| 10 BWG | 1 | 16 SF |
| 10 BWG | 2 | 32 SF |
| Sch 80 | 1 | 32 SF |
| Sch 80 | 2 | 64 SF |
- The Engineer may require that a Schedule 80 post be used in place of a 10 BWG where a sign height is abnormally high due to a fill slope.
- Sign supports shall not be spliced except where shown. Sign support posts shall not be spliced.
- Aluminum sign blanks shall conform to Departmental Material Specifications DMS-7110 and shall have the following minimum thicknesses: 0.080 for signs less than 7.5 sq. ft., 0.100 for signs 7.5 to 15 sq. ft., and 0.125 for signs greater than 15 sq. ft.
- Signs that require specific supports due to reasons in addition to windloading are indicated on the "REQUIRED SUPPORT" table on this sheet.
- For horizontal rectangular signs fabricated from flat aluminum, T-brackets are used for signs 24 inches or less in height. U-brackets are used for signs of greater height.
- When two triangular slipbase supports are used to support a single sign, they shall not be "rigidly" connected to each other except through the sign panel. This will allow each support to act independently when impacted by an errant vehicle.
- Wing channel shall meet ASTM A 1011 SS Gr 50 and be galvanized per ASTM A 123.
- Excess pipe, wing channel, or windbeam shall be cut off so that it does not extend beyond the sign panel (i.e., excess support shall not be visible when the sign is viewed from the front.) Repair galvanized coating at cut support ends per Item 445, "Galvanizing."
- Sign blanks shall be the sizes and shapes shown on the plans.
- Additional sign clamp required on the "T-bracket" post for 24 inch high signs. Place the clamp 3 inches above bottom of sign when possible.
- Post open ends shall be fitted with Friction Caps.

REQUIRED SUPPORT		
	SIGN DESCRIPTION	SUPPORT
Regulatory	48-inch STOP sign (R1-1)	TY 10BWG(1)XX(T) TY 10BWG(1)XX(P-BM)
	60-inch YIELD sign (R1-2)	TY 10BWG(1)XX(T) TY 10BWG(1)XX(P-BM)
	48x16-inch ONE-WAY sign (R6-1)	TY 10BWG(1)XX(T) TY 10BWG(1)XX(P-BM)
	36x48, 48x36, and 48x48-inch signs	TY 10BWG(1)XX(T)
Warning	48x60-inch signs	TY S80(1)XX(T)
	48x48-inch signs (diamond or square)	TY 10BWG(1)XX(T)
	48x60-inch signs	TY S80(1)XX(T)
	48-inch Advance School X-ing sign (S1-1)	TY 10BWG(1)XX(T)
	48-inch School X-ing sign (S2-1)	TY 10BWG(1)XX(T)
	Large Arrow sign (W1-6 & W1-7)	TY 10BWG(1)XX(T)

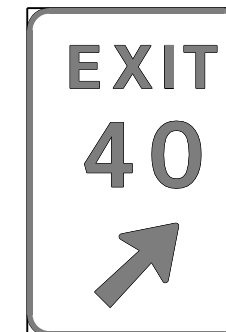
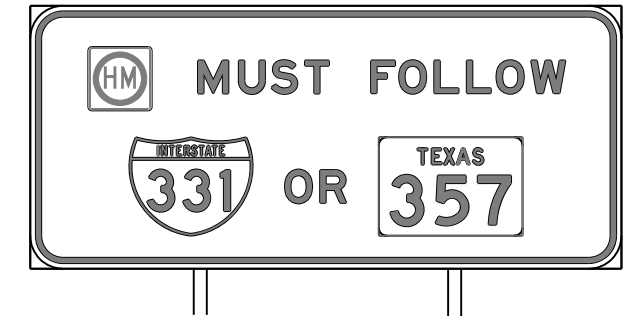
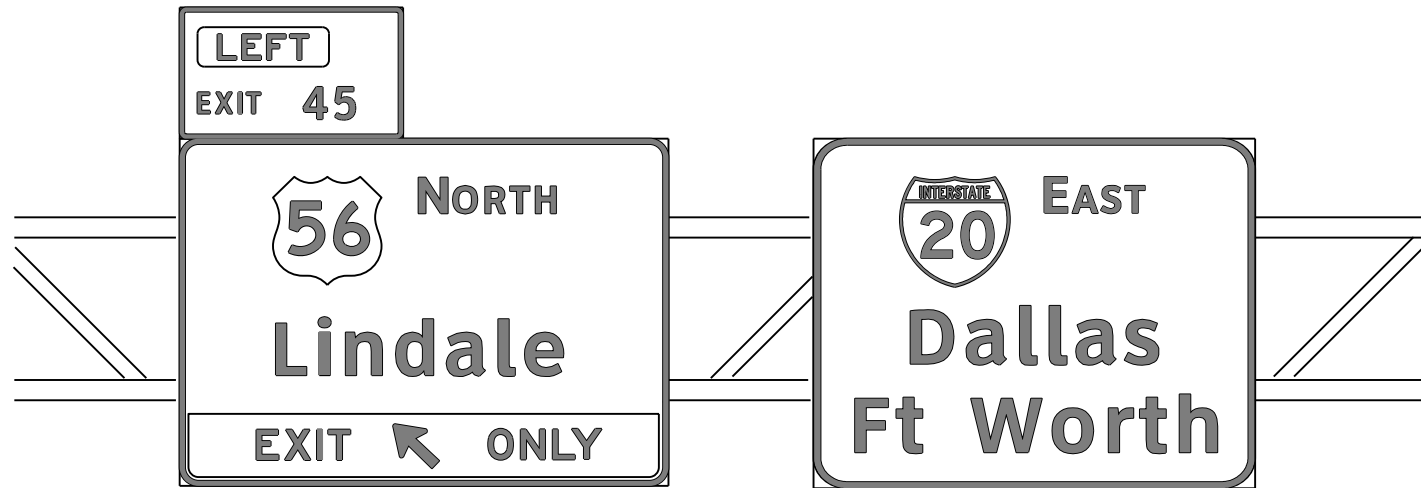


**SIGN MOUNTING DETAILS
 SMALL ROADSIDE SIGNS
 TRIANGULAR SLIPBASE SYSTEM
 SMD(SLIP-3)-08**

© TxDOT July 2002		DN: TxDOT	CK: TxDOT	DW: TxDOT	CK: TxDOT
9-08	REVISIONS	CONT	SECT	JOB	HIGHWAY
		0915	00	253	VARIOUS
		DIST	COUNTY		SHEET NO.
		SAT	BEXAR		43

REQUIREMENTS FOR OVERHEAD AND LARGE GROUND-MOUNTED SIGNS

TYPICAL EXAMPLES



GENERAL NOTES

1. Signs to be furnished shall be as detailed elsewhere in the plans and/or as shown on sign summary sheet. Standard sign designs and arrow dimensions can be found in the "Standard Highway Sign Designs for Texas" (SHSD).
2. Black legend shall use the Federal Highway Administration (FHWA) Standard Highway Alphabets (B, C, D, E, Emod, or F). White legend shall use the Clearview Alphabet. The following Clearview fonts shall be used to replace the existing white FHWA lettering, when not specified in the SHSD or in the plans.

B	CV-1W
C	CV-2W
D	CV-3W
E	CV-4W
Emod	CV-5WR
F	CV-6W

3. Lateral spacing between letters and numerals shall conform with the SHSD, and any approved changes thereto. Lateral spacing of legend shall provide a balanced appearance when spacing is not shown.
4. Black legend shall be applied by screening process or cut-out acrylic non-reflective black film to background sheeting, or combination thereof.
5. White legend and borders shall be cut-out white sheeting applied to colored background sheeting.
6. Information regarding borders and radii for signs is found in the "Standard Highway Sign Designs for Texas". Dimensions shown and described for borders and corner radii on parent sign are nominal. Borders may vary in width as much as 1/2 inch. Corner radii above 3 inches may vary in width as much as 1 inch. Borders and corner radii within a parent sign must be of matching widths. The sign area outside the corner radius need not be trimmed or rounded if fabricated from an extruded material.
7. Sign substrate for ground-mounted signs shall be any material that meets the Departmental Material Specification requirements of DMS-7110 or approved alternative. Sign substrate for overhead signs shall be any material that meets DMS-7110. Exit Number Panels attached above the parent sign shall be made with the same substrate and sheeting as the parent sign.
8. Mounting details of attachments to parent sign face are shown on Standard Plan Sheet TSR(5). Mounting details of exit number panels above parent sign are shown in the "SMD series" Standard Plan Sheets.
9. Background sheeting shall be applied to the substrate per sheeting manufacturer's recommendations. Sheeting will not be allowed to bridge the horizontal gap between panels.
10. Cut all legend, symbols, borders, and direct applied sign attachments at panel joints.

DEPARTMENTAL MATERIAL SPECIFICATIONS

ALUMINUM SIGN BLANKS	DMS-7110
SIGN FACE MATERIALS	DMS-8300

The Standard Highway Sign Designs for Texas (SHSD) can be found at the following website.

<http://www.txdot.gov/>

SHEETING REQUIREMENTS

USAGE	COLOR	SIGN FACE MATERIAL
BACKGROUND	WHITE	TYPE B OR C SHEETING
BACKGROUND	ALL OTHERS	TYPE B OR C SHEETING
LEGEND & BORDERS	WHITE	TYPE D SHEETING
LEGEND & BORDERS	BLACK	ACRYLIC NON-REFLECTIVE FILM

DISCLAIMER: The use of this standard is governed by the "Texas Engineering Practice Act". No warranty of any kind is made by TxDOT for any purpose whatsoever. TxDOT assumes no responsibility for the conversion of this standard to metric units. This standard is intended for use in the State of Texas only.

DATE: 10/17/2022 1:54:52 PM
 FILE: I:\Traffic\Design\District PS&E Tracking\Plan Review\Bexar\0915-00-255 ID: 111111

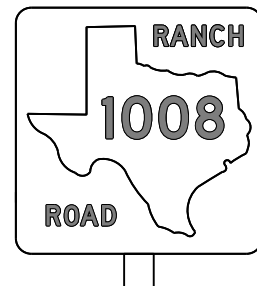
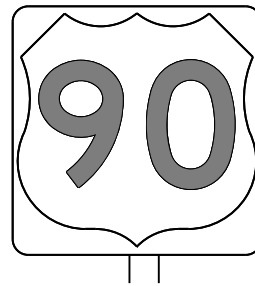
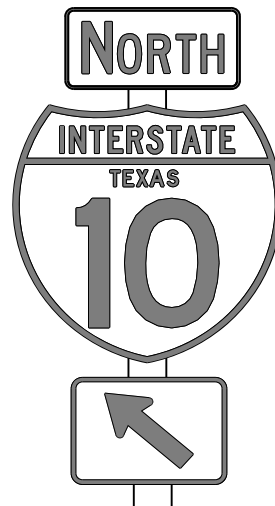
Texas Department of Transportation				Traffic Operations Division Standard	
<h2>TYPICAL SIGN REQUIREMENTS</h2> <h3>TSR(1) - 13</h3>					
FILE:	fstr1-13.dgn	DN:	TxDOT	CK:	TxDOT
© TxDOT	October 2003	CONT	SECT	JOB	HIGHWAY
REVISIONS		0915	00	253	VARIOUS
12-03	7-13	DIST	COUNTY	SHEET NO.	
9-08		SAT	BEXAR	44	

DISCLAIMER: The use of this standard is governed by the "Texas Engineering Practice Act". No warranty of any kind is made by TxDOT for any purpose whatsoever. TxDOT assumes no responsibility for the conversion of units or the accuracy of the information contained herein.

DATE: 10/17/2022 1:54:53 PM
 FILE: I:\Traffic\Design\District_P&E_Tracking\Plan_Review\Bexar\0915-00-253_TDS\Traffic\Signs\Signs\Signs.dwg

REQUIREMENTS FOR INDEPENDENT MOUNTED ROUTE SIGNS

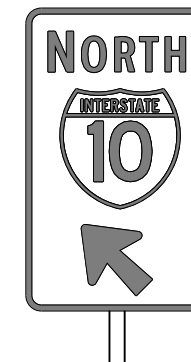
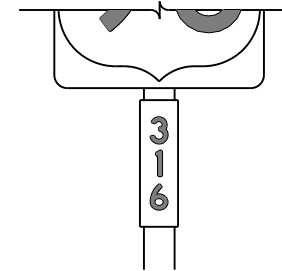
SHEETING REQUIREMENTS		
USAGE	COLOR	SIGN FACE MATERIAL
BACKGROUND	WHITE	TYPE A SHEETING
BACKGROUND	ALL OTHERS	TYPE B OR C SHEETING
LEGEND & BORDERS	WHITE	TYPE A SHEETING
LEGEND & BORDERS	BLACK	ACRYLIC NON-REFLECTIVE FILM
LEGEND & BORDERS	ALL OTHERS	TYPE B or C SHEETING



TYPICAL EXAMPLES

REQUIREMENTS FOR BLUE, BROWN & GREEN D AND I SERIES GUIDE SIGNS

SHEETING REQUIREMENTS		
USAGE	COLOR	SIGN FACE MATERIAL
BACKGROUND	ALL	TYPE B OR C SHEETING
LEGEND & BORDERS	WHITE	TYPE D SHEETING
LEGEND, SYMBOLS & BORDERS	ALL OTHERS	TYPE B OR C SHEETING



TYPICAL EXAMPLES

GENERAL NOTES

- Signs to be furnished shall be as detailed elsewhere in the plans and/or as shown on sign tabulation sheet. Standard sign designs and arrow dimensions can be found in the "Standard Highway Sign Designs for Texas" (SHSD).
- White legend shall use the Clearview Alphabet. The following Clearview fonts shall be used to replace the existing white Federal Highway Administration (FHWA) Standard Highway Alphabets, when not specified in the SHSD, or in the plans.

B	CV-1W
C	CV-2W
D	CV-3W
E	CV-4W
Emod	CV-5WR
F	CV-6W

- Route sign legend (ie. IH, US, SH and FM shields) shall use the Federal Highway Administration (FHWA) Standard Highway Alphabets B, C, D, E, Emod or F).
- Lateral spacing between letters and numerals shall conform with the SHSD, and any approved changes thereto. Lateral spacing of legend shall provide a balanced appearance when spacing is not shown.
- Independent mounted route sign with white or colored legend and borders shall be applied by screening process with transparent color ink, transparent colored overlay film to white background sheeting or cut-out white sheeting to colored background sheeting, or combination thereof. White legend, symbols and borders on all other signs shall be cut-out white sheeting applied to colored background sheeting.
- Information regarding borders and radii for signs is found in the "Standard Highway Sign Designs for Texas". Dimensions shown and described for borders and corner radii on parent sign are nominal. Borders may vary in width as much as 1/2 inch. Corner radii above 3 inches may vary in width as much as 1 inch. Borders and corner radii within a parent sign must be of matching widths. The sign area outside the corner radius should be trimmed or rounded.
- Sign substrate shall be any material that meets the Departmental Material Specification requirements of DMS-7110 or approved alternative.
- Mounting details of roadside signs are shown in the "SMD series" Standard Plan Sheets.

DEPARTMENTAL MATERIAL SPECIFICATIONS	
ALUMINUM SIGN BLANKS	DMS-7110
SIGN FACE MATERIALS	DMS-8300

ALUMINUM SIGN BLANKS THICKNESS	
Square Feet	Minimum Thickness
Less than 7.5	0.080
7.5 to 15	0.100
Greater than 15	0.125

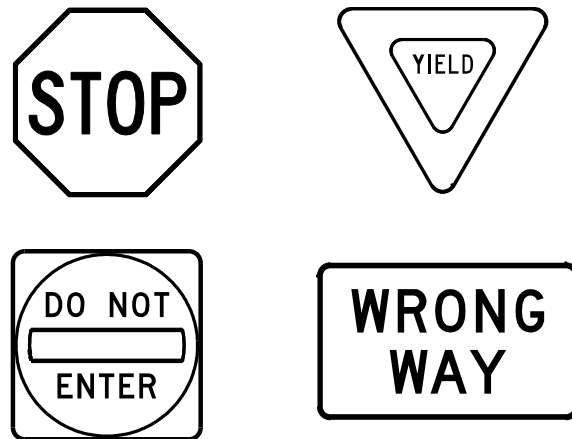
The Standard Highway Sign Designs for Texas (SHSD) can be found at the following website:
<http://www.txdot.gov/>

		<i>Texas Department of Transportation</i>		<i>Traffic Operations Division Standard</i>	
<h2 style="margin: 0;">TYPICAL SIGN REQUIREMENTS</h2> <h3 style="margin: 0;">TSR(3) - 13</h3>					
FILE:	tsr3-13.dgn	DN:	TxDOT	CK:	TxDOT
© TxDOT	October 2003	CON:	SECT	JOB	HIGHWAY
REVISIONS		0915	00	253	VARIOUS
12-03	7-13	DIST	COUNTY	SHEET NO.	
9-08		SAT	BEXAR	46	

DISCLAIMER: The use of this standard is governed by the "Texas Engineering Practice Act". No warranty of any kind is made by TxDOT for any purpose whatsoever. TxDOT assumes no responsibility for the conversion of units or for the use of this standard in any other way than as intended. TxDOT is not responsible for any errors or omissions in this standard or for any consequences arising from its use.

REQUIREMENTS FOR RED BACKGROUND REGULATORY SIGNS

(STOP, YIELD, DO NOT ENTER AND WRONG WAY SIGNS)



REQUIREMENTS FOR FOUR SPECIFIC SIGNS ONLY

SHEETING REQUIREMENTS		
USAGE	COLOR	SIGN FACE MATERIAL
BACKGROUND	RED	TYPE B OR C SHEETING
BACKGROUND	WHITE	TYPE B OR C SHEETING
LEGEND & BORDERS	WHITE	TYPE B OR C SHEETING
LEGEND	RED	TYPE B OR C SHEETING

REQUIREMENTS FOR WHITE BACKGROUND REGULATORY SIGNS

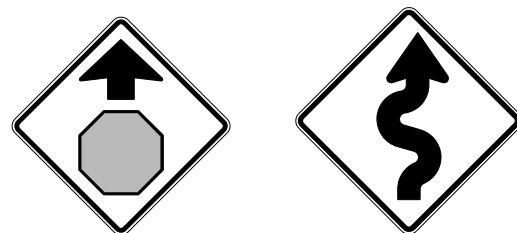
(EXCLUDING STOP, YIELD, DO NOT ENTER AND WRONG WAY SIGNS)



TYPICAL EXAMPLES

SHEETING REQUIREMENTS		
USAGE	COLOR	SIGN FACE MATERIAL
BACKGROUND	WHITE	TYPE A SHEETING
BACKGROUND	ALL OTHERS	TYPE B OR C SHEETING
LEGEND, BORDERS AND SYMBOLS	BLACK	ACRYLIC NON-REFLECTIVE FILM
LEGEND, BORDERS AND SYMBOLS	ALL OTHER	TYPE B OR C SHEETING

REQUIREMENTS FOR WARNING SIGNS



TYPICAL EXAMPLES

SHEETING REQUIREMENTS		
USAGE	COLOR	SIGN FACE MATERIAL
BACKGROUND	FLOURESCENT YELLOW	TYPE B _{FL} OR C _{FL} SHEETING
LEGEND & BORDERS	BLACK	ACRYLIC NON-REFLECTIVE FILM
LEGEND & SYMBOLS	ALL OTHER	TYPE B OR C SHEETING

REQUIREMENTS FOR SCHOOL SIGNS



TYPICAL EXAMPLES

SHEETING REQUIREMENTS		
USAGE	COLOR	SIGN FACE MATERIAL
BACKGROUND	WHITE	TYPE A SHEETING
BACKGROUND	FLOURESCENT YELLOW GREEN	TYPE B _{FL} OR C _{FL} SHEETING
LEGEND, BORDERS AND SYMBOLS	BLACK	ACRYLIC NON-REFLECTIVE FILM
SYMBOLS	RED	TYPE B OR C SHEETING

GENERAL NOTES

- Signs to be furnished shall be as detailed elsewhere in the plans and/or as shown on sign tabulation sheet. Standard sign designs and arrow dimensions can be found in the "Standard Highway Sign Designs for Texas" (SHSD).
- Sign legend shall use the Federal Highway Administration (FHWA) Standard Highway Alphabets (B, C, D, E, Emod or F).
- Lateral spacing between letters and numerals shall conform with the SHSD, and any approved changes thereto. Lateral spacing of legend shall provide a balanced appearance when spacing is not shown.
- Black legend and borders shall be applied by screening process or cut-out acrylic non-reflective black film to background sheeting, or combination thereof.
- White legend and borders shall be applied by screening process with transparent colored ink, transparent colored overlay film to white background sheeting or cut-out white sheeting to colored background sheeting, or combination thereof.
- Colored legend shall be applied by screening process with transparent colored ink, transparent colored overlay film or colored sheeting to background sheeting, or combination thereof.
- Sign substrate shall be any material that meets the Departmental Material Specification requirements of DMS-7110 or approved alternative.
- Mounting details for roadside mounted signs are shown in the "SMD series" Standard Plan Sheets.

ALUMINUM SIGN BLANKS THICKNESS	
Square Feet	Minimum Thickness
Less than 7.5	0.080
7.5 to 15	0.100
Greater than 15	0.125

DEPARTMENTAL MATERIAL SPECIFICATIONS	
ALUMINUM SIGN BLANKS	DMS-7110
SIGN FACE MATERIALS	DMS-8300

The Standard Highway Sign Designs for Texas (SHSD) can be found at the following website.
<http://www.txdot.gov/>

Texas Department of Transportation Traffic Operations Division Standard

TYPICAL SIGN REQUIREMENTS

TSR(4) - 13

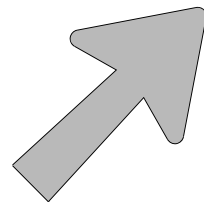
FILE:	tsr4-13.dgn	DN:	TxDOT	CK:	TxDOT	DW:	TxDOT	CK:	TxDOT
© TxDOT	October 2003	CONT	SECT	JOB	HIGHWAY				
REVISIONS		0915 00	253		VARIOUS				
12-03 7-13 9-08	DIST		COUNTY	SHEET NO.					
SAT		BEXAR		47					

DISCLAIMER: The use of this standard is governed by the "Texas Engineering Practice Act". No warranty of any kind is made by TxDOT for any purpose whatsoever. TxDOT assumes no responsibility for the conversion of units or for the use of this standard in any other manner than that intended for its use.

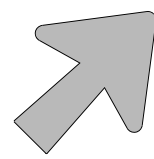
DATE: 10/17/2022 1:54:53 PM
 FILE: I:\Traffic\Design\District PS&E Tracking\Plan_Review\Bexar\0915-00-255 ID: 10110101

ARROW DETAILS

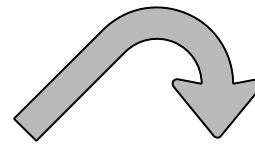
for Large Ground-Mounted and Overhead Guide Signs



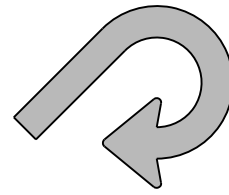
Type A



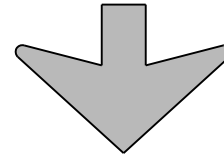
Type B



E-3



E-4



Down Arrow

TYPE	LETTER SIZE	USE
A-1	10.67" U/L and 10" Caps	Single Lane Exits
A-2	13.33" U/L and 12" Caps	
A-3	16" & 20" U/L	
B-1	10.67" U/L and 10" Caps	Multiple Lane Exits
B-2	13.33" U/L and 12" Caps	
B-3	16" & 20" U/L	

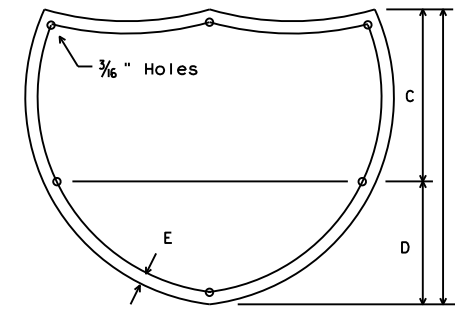
CODE	USED ON SIGN NO.
E-3	E5-1aT
E-4	E5-1bT

NOTE

Arrow dimensions are shown in the "Standard Highway Sign Designs for Texas" manual.

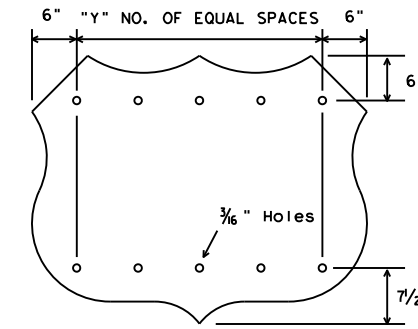
The Standard Highway Sign Designs for Texas (SHSD) can be found at the following website:
<http://www.txdot.gov/>

SIGN BLANK PUNCHING DETAILS FOR ATTACHMENTS WHEN SPECIFIED TO BE TYPE A ALUMINUM SIGNS (FOR MOUNTING TO GUIDE SIGN FACE)



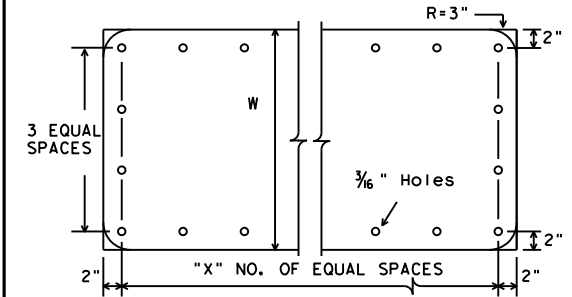
INTERSTATE ROUTE MARKERS

A	C	D	E
36	21	15	1 1/2
48	28	20	1 3/4



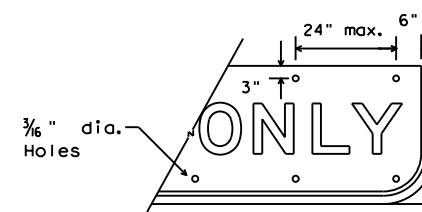
U.S. ROUTE MARKERS

Sign Size	"Y"
24x24	2
30x24	3
36x36	3
45x36	4
48x48	4
60x48	5



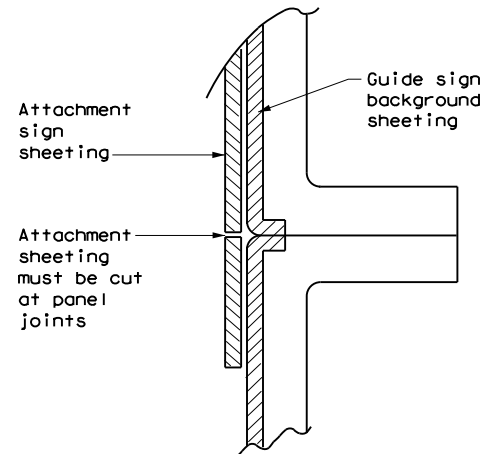
STATE ROUTE MARKERS

No. of Digits	W	X
4	24	4
4	36	5
4	48	6
3	24	3
3	36	4
3	48	5



EXIT ONLY PANEL

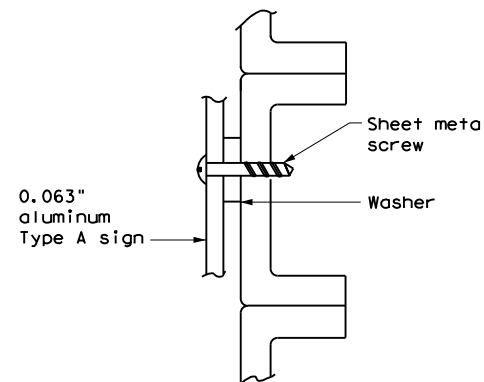
MOUNTING DETAILS OF ATTACHMENTS TO GUIDE SIGN FACE ("EXIT ONLY" AND "LEFT EXIT" PANELS, ROUTE MARKERS AND OTHER ATTACHMENTS)



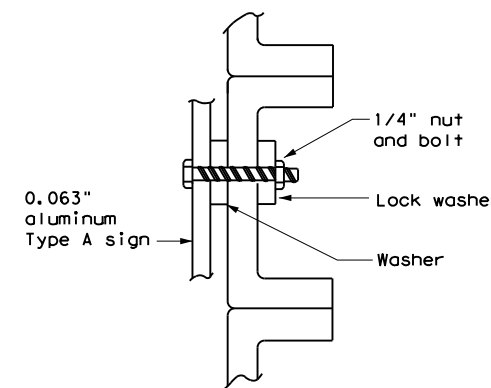
DIRECT APPLIED ATTACHMENT

NOTE:

- Sheeting for legend, symbols, and borders must be cut at panel joints.
- Direct applied attachment signs will be subsidiary to "Aluminum Signs" or "Fiberglass Signs".



SCREW ATTACHMENT

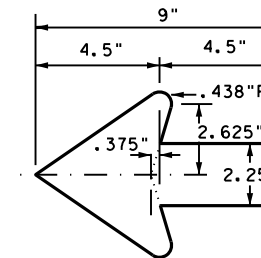


NUT/BOLT ATTACHMENT

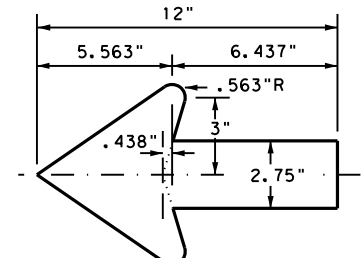
NOTE:

Furnish Type A aluminum sign attachments only when specified in the plans. These signs will be paid for under "Aluminum Signs".

ARROW DETAILS for Destination Signs (Type D)



Standard arrow to be used with 6 inch letters.



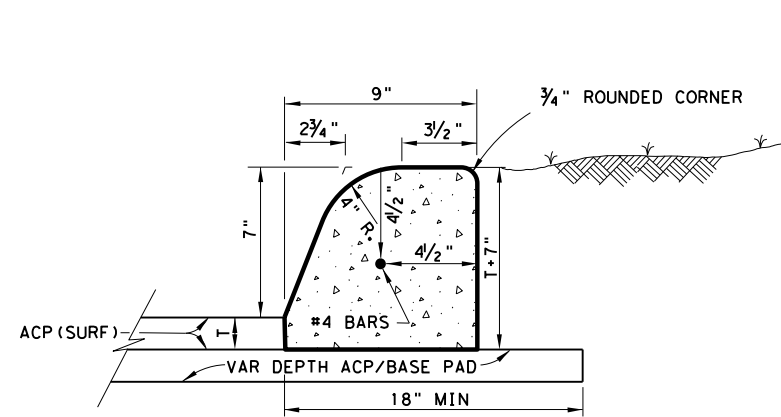
Standard arrow to be used with 8 inch letters.

TYPICAL SIGN REQUIREMENTS

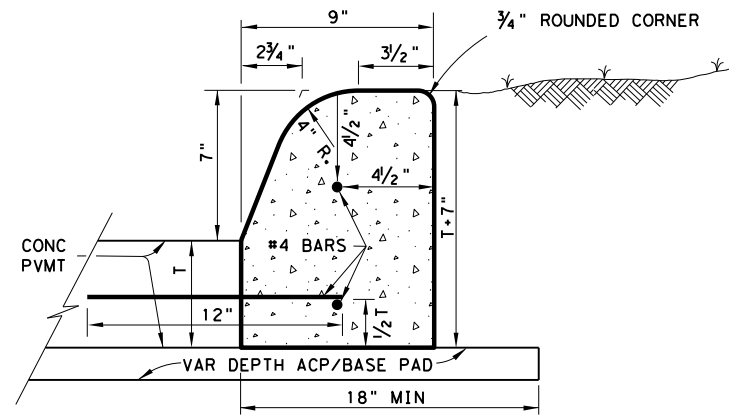
TSR (5) - 13

FILE: tsr5-13.dgn	DN: TxDOT	CK: TxDOT	DW: TxDOT	CR: TxDOT
© TxDOT October 2003	CONT	SECT	JOB	HIGHWAY
REVISIONS	0915 00		253	VARIOUS
12-03 7-13	DIST	COUNTY		SHEET NO.
9-08	SAT	BEXAR		48

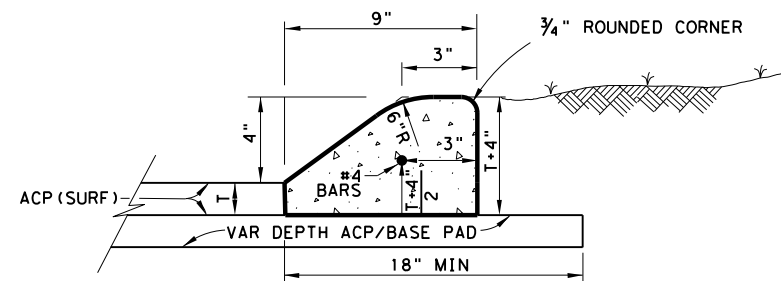
T:\Traffic\Design\District P&E Tracking\Plan Review\Bexar\0915-00-263 (Districtwide Non-Site Specific Traffic) 10/17/16 2025 standards\SAT\misc\curb\0915-00-263.dgn



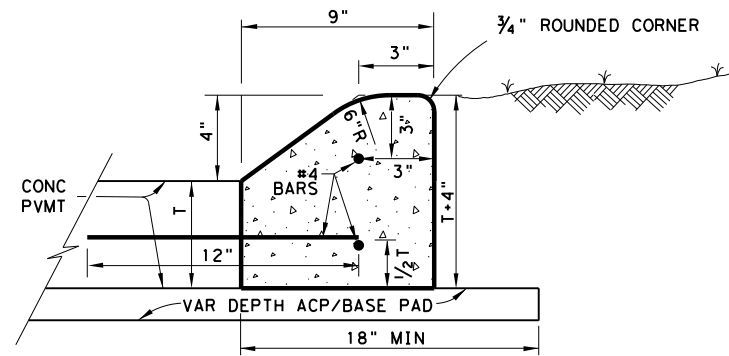
**CONCRETE CURB (TYPE 1)
W/ ACP**



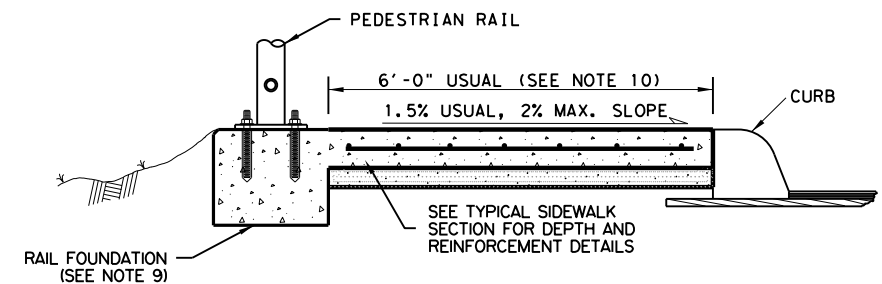
**CONCRETE CURB (TYPE 1)
W/ CONC PAVEMENT**



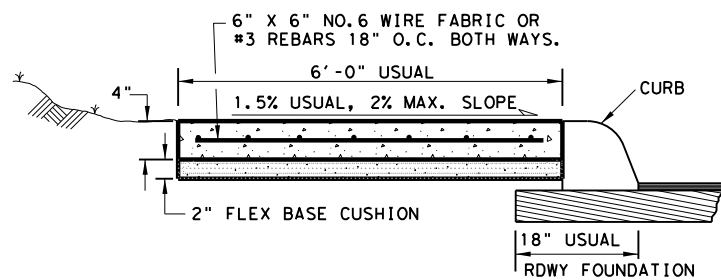
**CONCRETE CURB (TYPE 2)
W/ ACP**



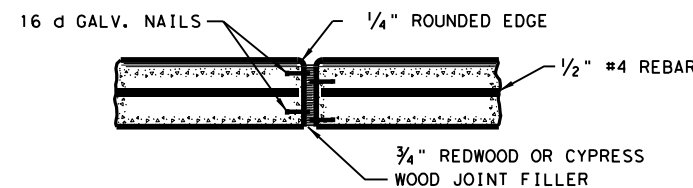
**CONCRETE CURB (TYPE 2)
W/ CONC PAVEMENT**



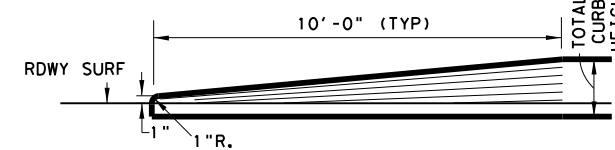
**TYPICAL SIDEWALK SECTION
WITH PEDESTRIAN RAIL**



TYPICAL SIDEWALK SECTION



TYPICAL CURB EXPANSION JOINT DETAIL



TRANSITION FOR CONCRETE CURB ENDS

SEE CURB DETAIL FOR REINFORCEMENT

GROOVED JOINTS IN THE SIDE WALK SHALL BE AT A MAX. SPACING OF 10 FT. AND SHALL HAVE 3/4" EXPANSION JOINTS AT A MAX. SPACING OF 60' AND TO COINCIDE WITH THE CURB EXP. JOINTS.

EXPANSION JOINTS TO BE PLACED AT BEGINNING AND END OF CURVES, DRIVEWAYS WHEELCHAIR RAMPS, INLETS, ILLUMINATION/ SIGNAL FOUNDATIONS AND OTHER FIXED OBJECTS.

GENERAL NOTES:

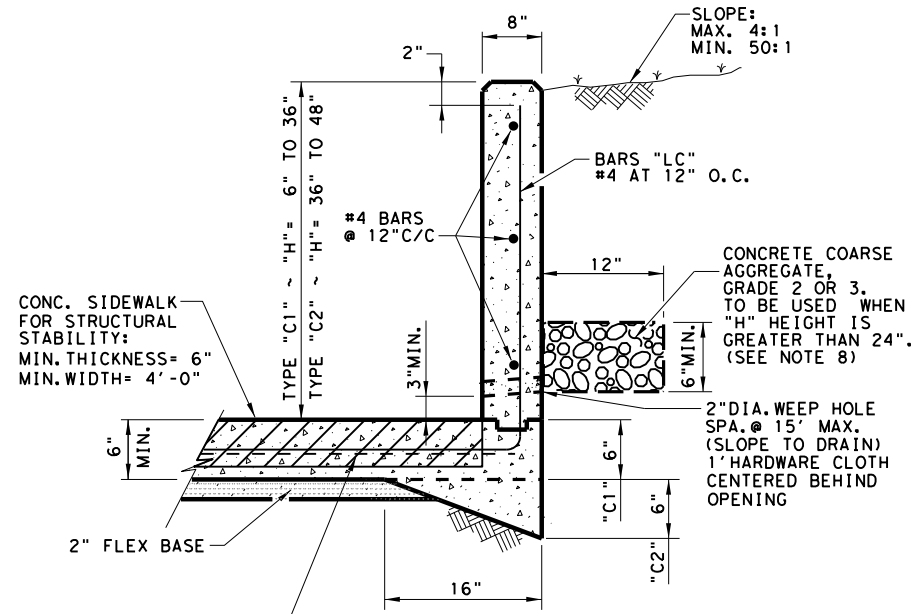
1. CONCRETE CURB TYPE 1 AND 2 SHOWN SHALL MEET THE MINIMUM SPECIFICATION REQUIREMENTS OF CLASS "A" CONCRETE PER ITEM 529 AND 421.
2. ALL REINFORCING STEEL SHALL BE GRADE 60
3. WHERE CONCRETE CURB IS PLACED ON EXISTING CONCRETE PAVEMENT, THE PAVEMENT SHALL BE DRILLED AND THE REINFORCING BARS GROUTED IN PLACE.
4. EXPANSION AND CONTRACTION JOINTS SHALL BE CONSTRUCTED TO MATCH PAVEMENT JOINTS IN ALL CURBS AND CURB AND GUTTER ADJACENT TO JOINTED CONCRETE PAVEMENT. WHERE PLACEMENT OF CURB OR CURB AND GUTTER IS NOT ADJACENT TO CONCRETE PAVEMENT, EXPANSION JOINTS SHALL BE PROVIDED AT STRUCTURES, CURB RETURNS AT STREETS, AND AT LOCATIONS DIRECTED BY THE ENGINEER.
5. VERTICAL AND HORIZONTAL DOWEL BARS AND TRANSVERSE REINFORCING BARS SHALL BE PLACED AT 4 FEET C-C, UNLESS OTHERWISE SHOWN.
6. ONE-HALF INCH EXPANSION JOINT MATERIAL SHALL BE PROVIDED WHERE CURB OR CURB AND GUTTER IS ADJACENT TO SIDEWALK OR RIPRAP, THIS IS SUBSIDIARY TO THE CURB, ITEM 529.
7. LAYDOWN CURB AT DRIVEWAYS WILL BE PAID AS SUBSIDIARY TO ITEM 530.
8. FOR SIDEWALK DETAILS AT DRIVEWAYS, SEE SAN ANTONIO DISTRICT STANDARD "DRIVEWAY DETAILS".
9. SEE PEDESTRIAN HANDRAIL DETAILS STANDARD "PRD" FOR MORE INFORMATION. CONCRETE RAIL FOUNDATION TO BE POURED WITH THE SIDEWALK BUT PAYMENT IS SUBSIDIARY TO ITEM 450 "RAILING".
10. CLEAR SIDEWALK WIDTH EXCLUDING THE PEDESTRIAN RAIL FOUNDATION SHALL BE 6' UNLESS OTHERWISE SPECIFIED IN THE PLANS

© 2020 **Texas Department of Transportation**
San Antonio District

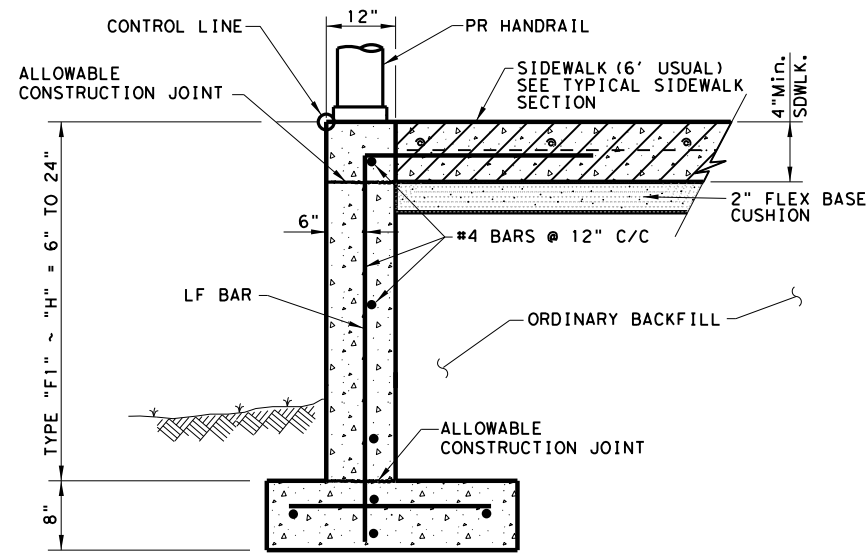
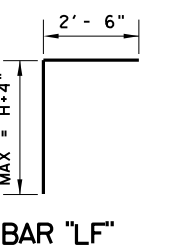
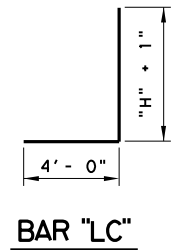
MISCELLANEOUS CURB AND SIDEWALK DETAILS
San Antonio District Standard
Sheet (1 of 2)

T:\Engdata\Standards\MiscCurbdetails.dgn	PREPARED BY AND FOR USE OF TxDOT.
ORIGINAL DRAWING DATE:	STATE DISTRICT FEDERAL REGION FEDERAL AID PROJECT SHEET
REVISIONS	SAT 6 SEE TITLE SHEET 49
09-01-08	COUNTY CONTROL SECTION JOB HIGHWAY
10-10-17 sidewalk width equals 6' usual	
07-22-20 9" curb + curb w/ conc pvmt det.	BEXAR 0915 00 253 VARIOUS

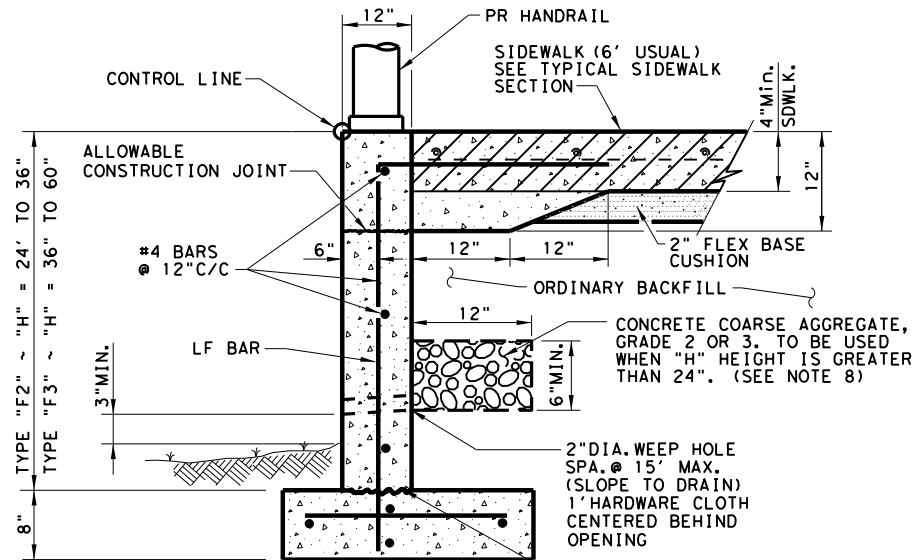
T:\Traffic\Design\District P&E Tracking\Plan Review\Bexar\0915-00-253 (Districtwide Non-Site Specific Traffic) 10/26/2009\Standards\SAT\misc\curb\std\614.dgn



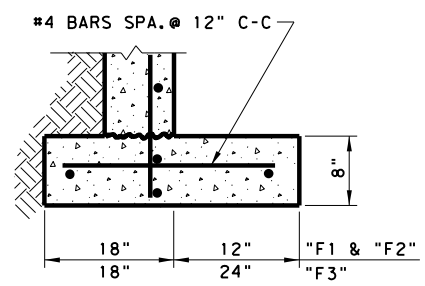
6" X 6" (#6) WELDED WIRE FLAT SHEETS OR #3 REBARS AT 18" O.C. BOTH WAYS
TYPE "C1" & "C2" CURB



TYPE "F1" CURB



TYPE "F2" & "F3" CURB



FOOTING DETAIL

- GENERAL NOTES:
1. CONCRETE FOR CURB TYPE F AND C SHOWN SHALL MEET THE MINIMUM SPECIFICATION REQUIREMENTS OF CLASS "C" CONCRETE PER ITEM 421
 2. ALL REINFORCING STEEL SHALL BE GRADE 60
 3. EXPANSION AND CONTRACTION JOINTS SHALL BE CONSTRUCTED TO MATCH PAVEMENT JOINTS IN ALL CURBS AND CURB AND GUTTER ADJACENT TO JOINTED CONCRETE PAVEMENT. WHERE PLACEMENT OF CURB OR CURB AND GUTTER IS NOT ADJACENT TO CONCRETE PAVEMENT, EXPANSION JOINTS SHALL BE PROVIDED AT STRUCTURES, CURB RETURNS AT STREETS, AND AT LOCATIONS DIRECTED BY THE ENGINEER.
 4. VERTICAL AND HORIZONTAL DOWEL BARS AND TRANSVERSE REINFORCING BARS SHALL BE PLACED AT 4 FEET C-C, UNLESS OTHERWISE SHOWN.
 5. UNTIL THE SIDEWALK IS COMPLETE, LATERAL SUPPORT FOR THE "F" CURBS WILL BE REQUIRED.
 6. IF AGGREGATE IS REQUIRED PER THE DETAIL, IT IS PAID AS SUBSIDIARY TO THE CURB, ITEM 529.

DESIGN SOIL PARAMETERS:
 Soil Unit Wt. = 120 pcf
 Phi = 30 Degrees
 Cohesion = 50 psf
 Min. PI = 15
 Max. PI = 30
 SURCHARGE:
 TYPE F CURB q = 2' Adjacent to sidewalk
 Max. slope behind TYPE C Curb = 4:1
 Min. Factor of Safety against sliding is 1.5.
 Designed in accordance with current AASHTO Standards and Interim Specifications.

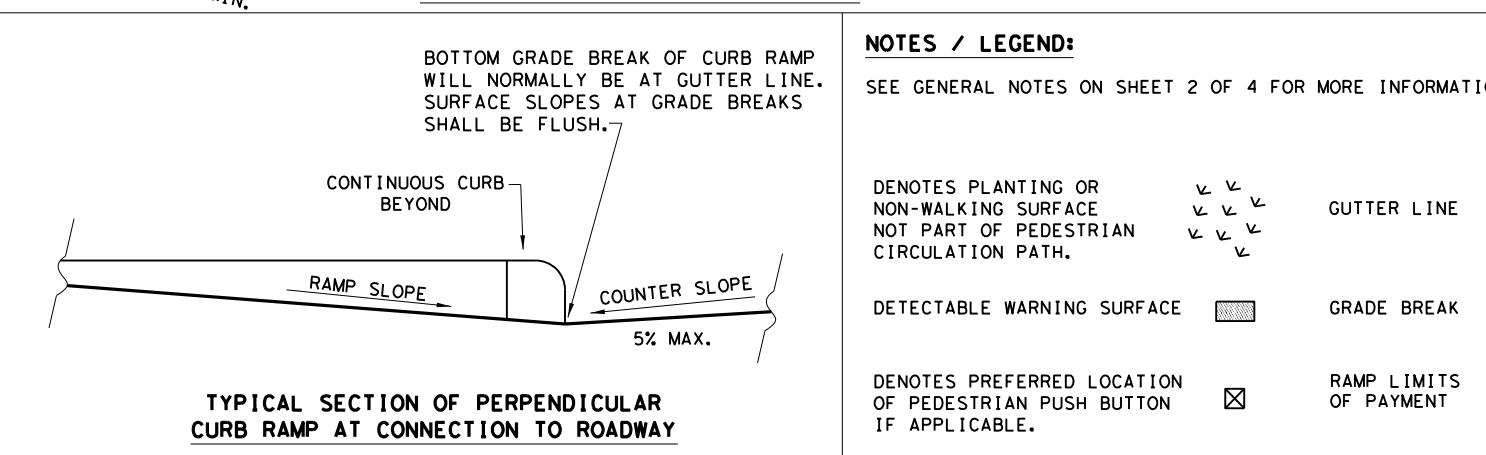
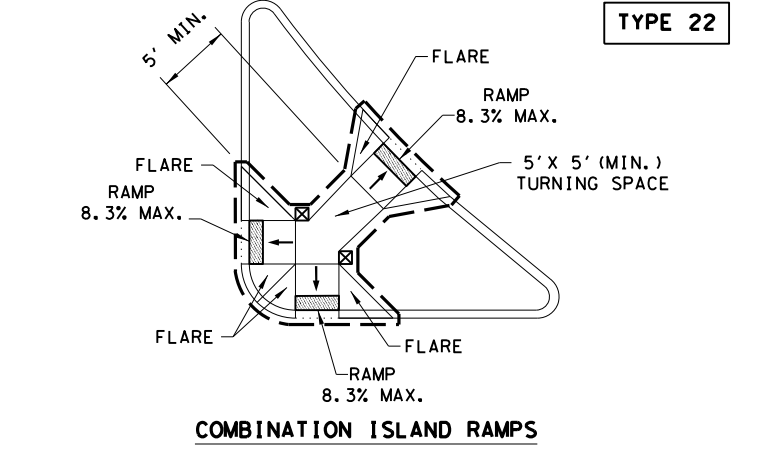
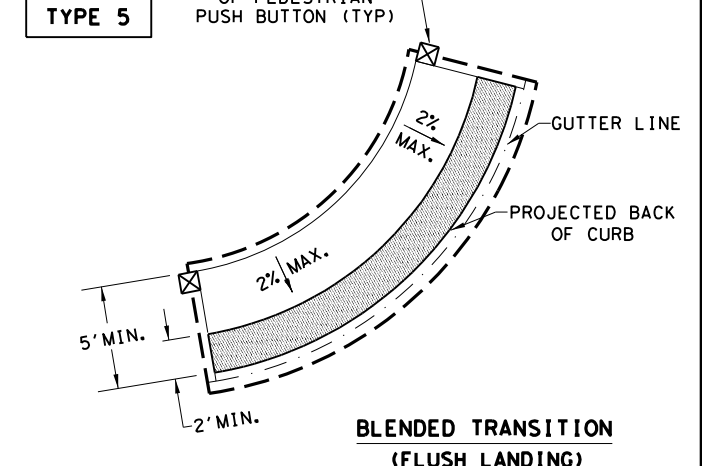
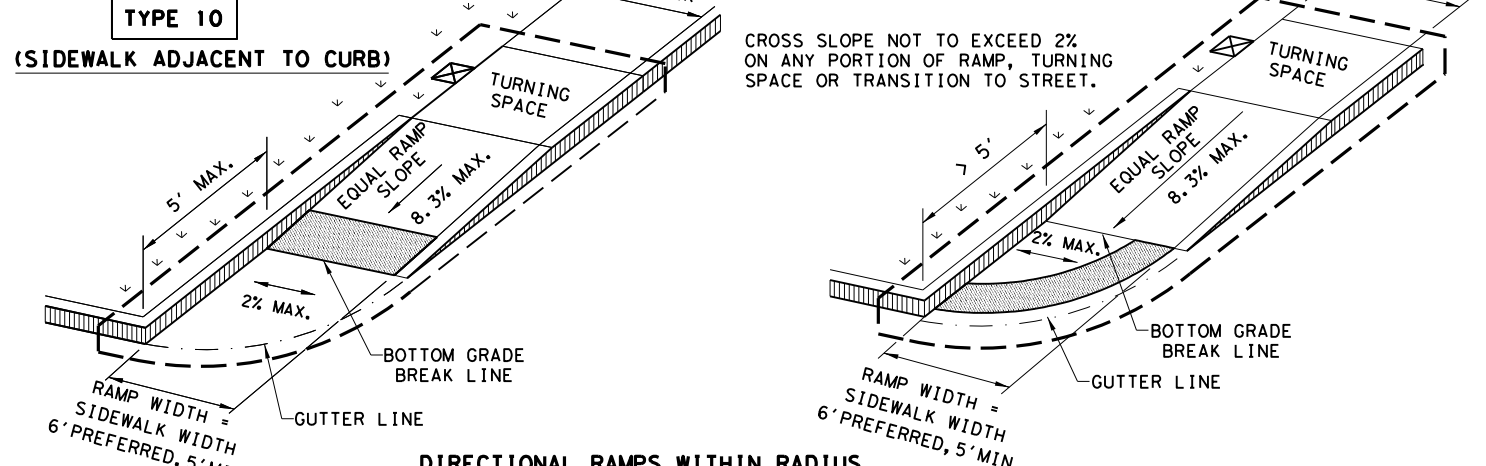
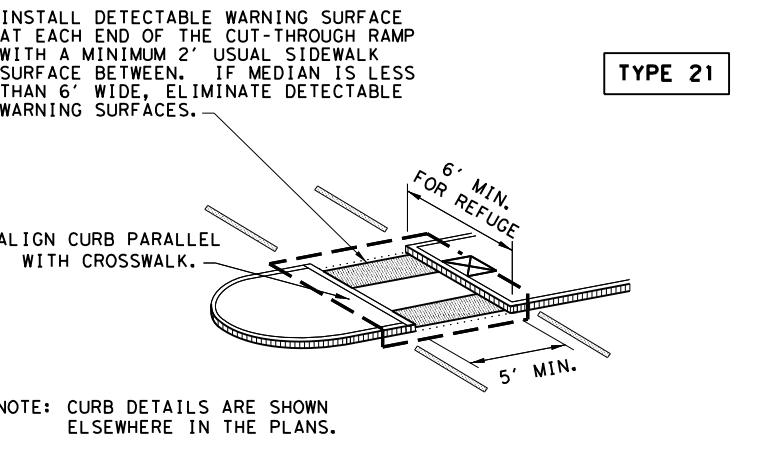
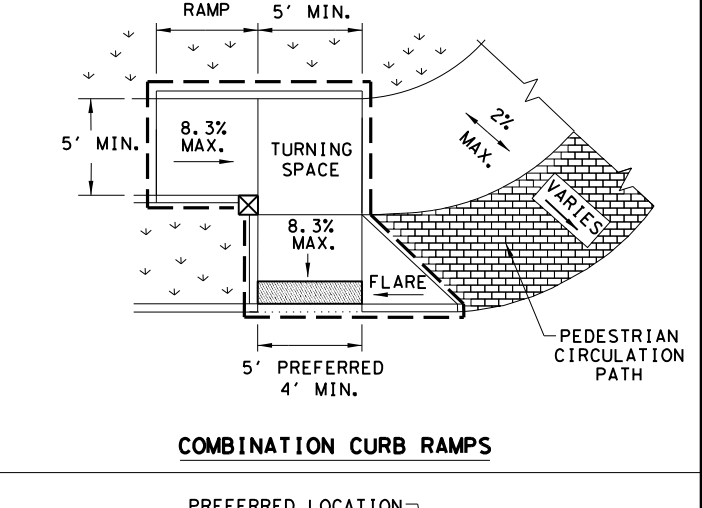
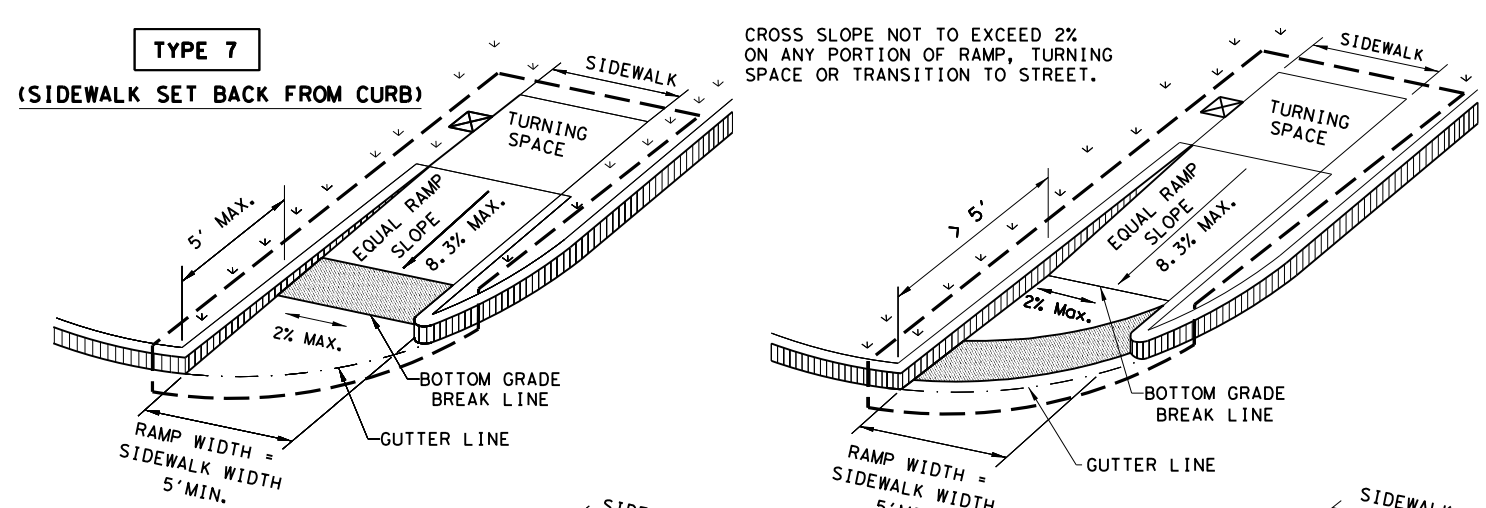
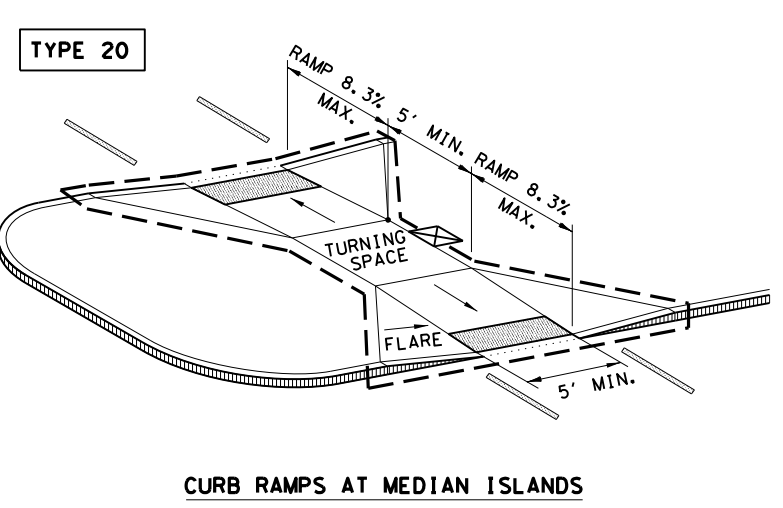
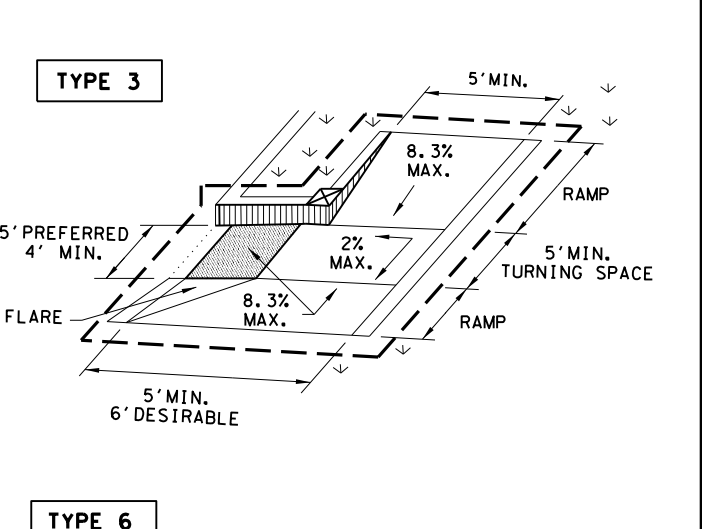
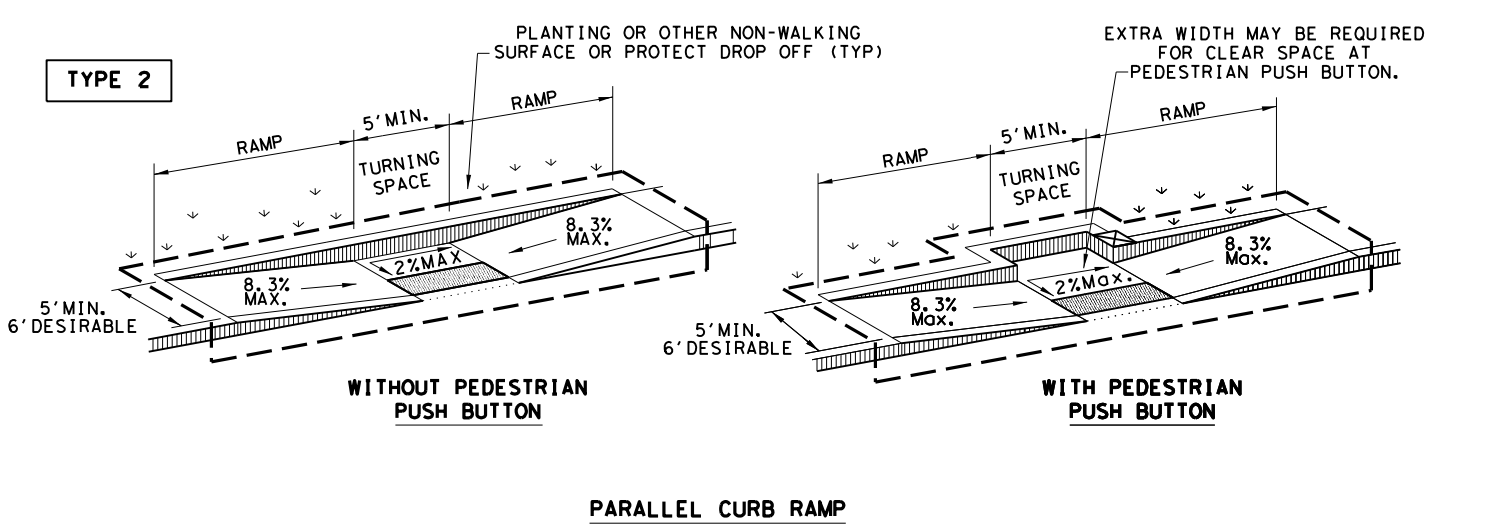
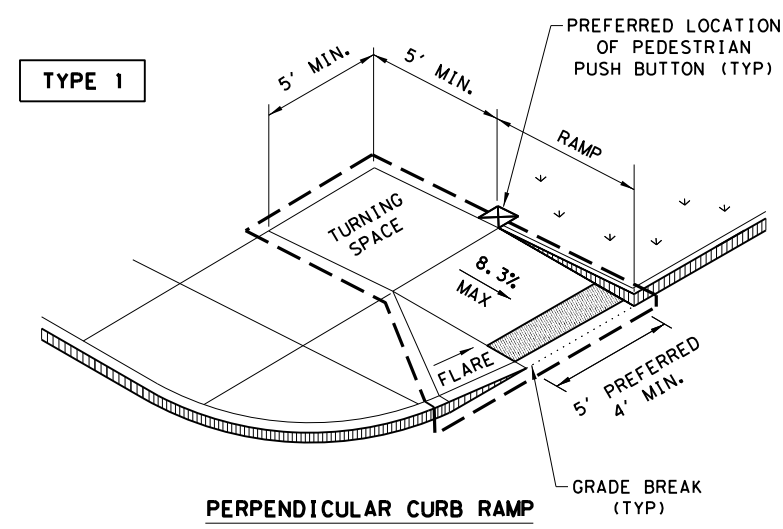
CLASS C CONCRETE PAID UNDER ITEM 531, SIDEWALK. (NOTE. ADDITIONAL CONCRETE TO MEET THE THICKENED SECTIONS REQUIRED BY THESE DETAILS IS SUBSIDIARY TO ITEM 531, CURB.)

© 2020 **Texas Department of Transportation**
 San Antonio District

MISCELLANEOUS CURB AND SIDEWALK DETAILS
 San Antonio District Standard
 Sheet (2 of 2)

T:\Engdata\Standards\MiscCurbDetails.dgn		PREPARED BY AND FOR USE OF TxDOT.			
ORIGINAL DRAWING DATE:	STATE DISTRICT	FEDERAL REGION	FEDERAL AID PROJECT	SHEET	
09-01-08	SAT 6		SEE TITLE SHEET	50	
10-10-17 sidewalk width equals 6' usual	COUNTY	CONTROL SECTION	JOB	HIGHWAY	
07-22-20 9" curb + curb w/ conc pvmt det.	BEXAR	0915 00	253	VARIOUS	

DATE: 10/17/2022
 FILE: I:\Traffic\Design\District PS&E Tracking\Plan Review\Bexar\0915-00-253 (Districtwide Non-Site Specific Traffic Signals)\Standards\ped18.dgn
 DISCLAIMER: The use of this standard is governed by the "Texas Engineering Practice Act". No warranty of any kind is made by TxDOT for any purpose whatsoever. TxDOT assumes no responsibility for the conversion of this standard to other formats or for incorrect results or damages resulting from its use.



NOTES / LEGEND:
 SEE GENERAL NOTES ON SHEET 2 OF 4 FOR MORE INFORMATION.

DENOTES PLANTING OR NON-WALKING SURFACE NOT PART OF PEDESTRIAN CIRCULATION PATH.

DENOTES PREFERRED LOCATION OF PEDESTRIAN PUSH BUTTON IF APPLICABLE.

GUTTER LINE

GRADE BREAK

RAMP LIMITS OF PAYMENT

SHEET 1 OF 4

Design Division Standard

PEDESTRIAN FACILITIES CURB RAMPS

PED-18

FILE: ped18	DN: TxDOT	DW: VP	CK: KM	CK: PK & JG
© TxDOT: MARCH, 2002	CONT	SECT	JOB	HIGHWAY
REVISIONS	0915 00		253	VARIOUS
REVISED 08, 2005	DIST	COUNTY		SHEET NO.
REVISED 06, 2012	SAT	BEXAR		51
REVISED 01, 2018				

DISCLAIMER: The use of this standard is governed by the "Texas Engineering Practice Act". No warranty of any kind is made by TxDOT for any purpose whatsoever. TxDOT assumes no responsibility for the conversion of this standard to other formats or for incorrect results or damages resulting from its use.
 DATE: 10/17/2022
 FILE: I:\Traffic\Design\District PS&E Tracking\Plan_Review\Bexar\0915-00-253 (Districtwide Non-Site Specific Traffic Signals)\Standards\ped18.dgn

GENERAL NOTES

CURB RAMP

1. Install a curb ramp or blended transition at each pedestrian street crossing.
2. All slopes shown are maximum allowable. Cross slopes of 1.5% and lesser running should be used. Adjust curb ramp length or grade of approach sidewalks as directed.
3. Maximum allowable cross slope on sidewalk and curb ramp surfaces is 2%.
4. The minimum sidewalk width is 5'. Where the sidewalk is adjacent to the back of curb, a 6' sidewalk width is desirable. Where a 5' sidewalk cannot be provided due to site constraints, sidewalk width may be reduced to 4' for short distances. 5' x 5' passing areas at intervals not to exceed 200' are required.
5. Turning Spaces shall be 5' x 5' minimum. Cross slope shall be maximum 2%.
6. Clear space at the bottom of curb ramps shall be a minimum of 4' x 4' wholly contained within the crosswalk and wholly outside the parallel vehicular travel path.
7. Provide flared sides where the pedestrian circulation path crosses the curb ramp. Flared sides shall be sloped at 10% maximum, measured parallel to the curb. Returned curbs may be used only where pedestrians would not normally walk across the ramp, either because the adjacent surface is planted, substantially obstructed, or otherwise protected.
8. Additional information on curb ramp location, design, light reflective value and texture may be found in the latest draft of the Proposed Guidelines for Pedestrian Facilities in the Public Right of Way (PROWAG) as published by the U.S. Architectural and Transportation Barriers Compliance Board (Access Board).
9. To serve as a pedestrian refuge area, the median should be a minimum of 6' wide, measured from back of curbs. Medians should be designed to provide accessible passage over or through them.
10. Small channelization islands, which do not provide a minimum 5' x 5' landing at the top of curb ramps, shall be cut through level with the surface of the street.
11. Crosswalk dimensions, crosswalk markings and stop bar locations shall be as shown elsewhere in the plans. At intersections where crosswalk markings are not required, curb ramps shall align with theoretical crosswalks unless otherwise directed.
12. Provide curb ramps to connect the pedestrian access route at each pedestrian street crossing. Handrails are not required on curb ramps.
13. Curb ramps and landings shall be constructed and paid for in accordance with Item 531 "Sidewalks".
14. Place concrete at a minimum depth of 5" for ramps, flares and landings, unless otherwise directed.
15. Furnish and install No. 3 reinforcing steel bars at 18" o.c. both ways, unless otherwise directed.
16. Provide a smooth transition where the curb ramps connect to the street.
17. Curbs shown on sheet 1 within the limits of payment are considered part of the curb ramp for payment, whether it is concrete curb, gutter, or combined curb and gutter.
18. Existing features that comply with applicable standards may remain in place unless otherwise shown on the plans.

DETECTABLE WARNING MATERIAL

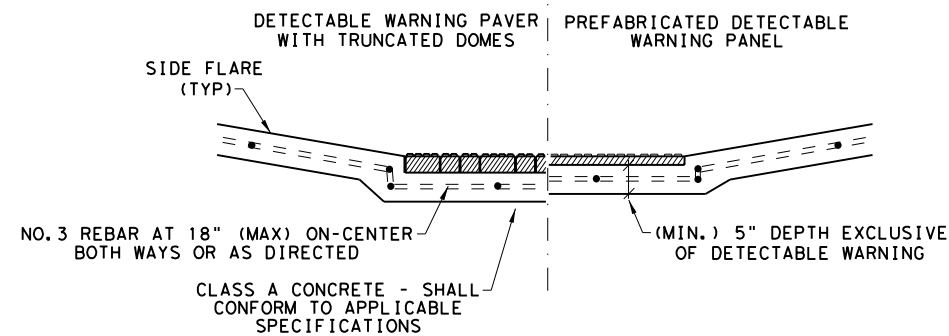
19. Curb ramps must contain a detectable warning surface that consists of raised truncated domes complying with PROWAG. The surface must contrast visually with adjoining surfaces, including side flares. Furnish and install an approved cast-in-place dark brown or dark red detectable warning surface material adjacent to uncolored concrete, unless specified elsewhere in the plans.
20. Detectable Warning Materials must meet TxDOT Departmental Materials Specification DMS 4350 and be listed on the Material Producer List. Install products in accordance with manufacturer's specifications.
21. Detectable warning surfaces must be firm, stable and slip resistant.
22. Detectable warning surfaces shall be a minimum of 24 inches in depth in the direction of pedestrian travel, and extend the full width of the curb ramp or landing where the pedestrian access route enters the street.
23. Detectable warning surfaces shall be located so that the edge nearest the curb line is at the back of curb and neither end of that edge is greater than 5 feet from the back of curb. Detectable warning surfaces may be curved along the corner radius.
24. Shaded areas on Sheet 1 of 4 indicate the approximate location for the detectable warning surface for each curb ramp type.

DETECTABLE WARNING PAVERS (IF USED)

25. Furnish detectable warning paver units meeting all requirements of ASTM C-936, C-33. Lay in a two by two unit basket weave pattern or as directed.
26. Lay full-size units first followed by closure units consisting of at least 25 percent (25%) of a full unit. Cut detectable warning paver units using a power saw.

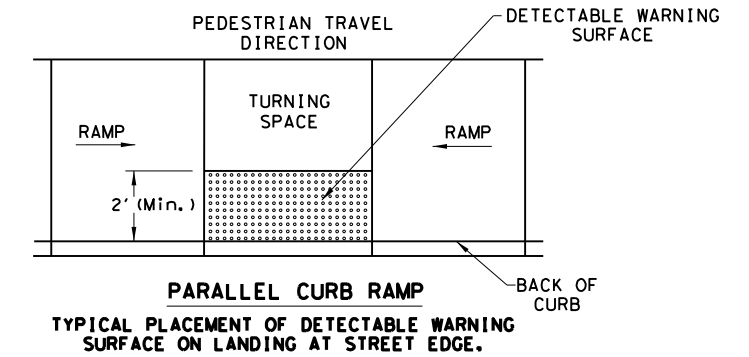
SIDEWALKS

27. Provide clear ground space at operable parts, including pedestrian push buttons. Operable parts shall be placed within unobstructed reach range specified in PROWAG section R406.
28. Place traffic signal or illumination poles, ground boxes, controller boxes, signs, drainage facilities and other items so as not to obstruct the pedestrian access route or clear ground space.
29. Street grades and cross slopes shall be as shown elsewhere in the plans.
30. Changes in level greater than 1/4 inch are not permitted.
31. The least possible grade should be used to maximize accessibility. The running slope of sidewalks and crosswalks within the public right of way may follow the grade of the parallel roadway. Where a continuous grade greater than five percent (5%) must be provided, handrails may be desirable to improve accessibility. Handrails may also be needed to protect pedestrians from potentially hazardous conditions. If provided, handrails shall comply with PROWAG R409.
32. Handrail extensions shall not protrude into the usable landing area or into intersecting pedestrian routes.
33. Driveways and turnouts shall be constructed and paid for in accordance with Item "Intersections, Driveways and Turnouts". Sidewalks shall be constructed and paid for in accordance with Item, "Sidewalks".
34. Sidewalk details are shown elsewhere in the plans.

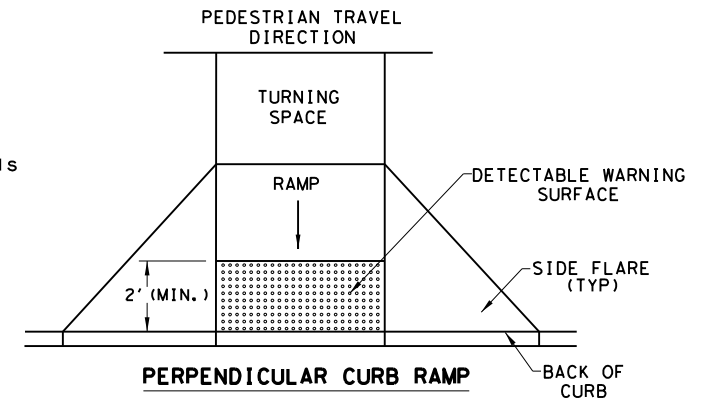


SECTION VIEW DETAIL
CURB RAMP AT DETECTIBLE WARNINGS

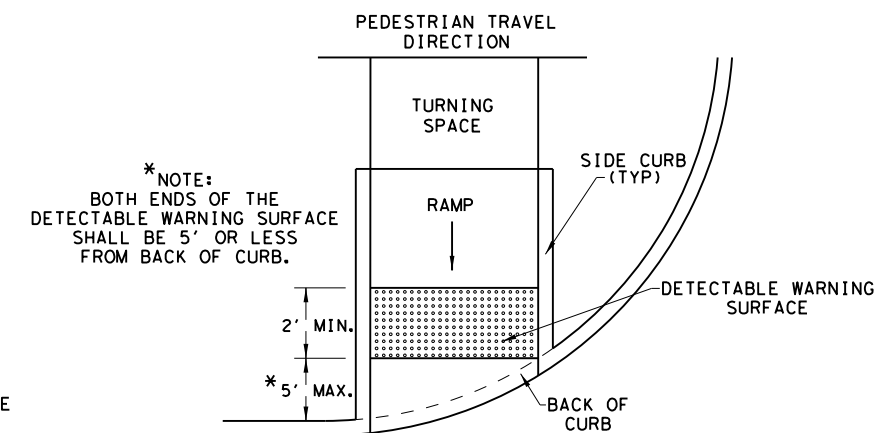
DETECTABLE WARNING SURFACE DETAILS



PARALLEL CURB RAMP
TYPICAL PLACEMENT OF DETECTABLE WARNING SURFACE ON LANDING AT STREET EDGE.



PERPENDICULAR CURB RAMP
TYPICAL PLACEMENT OF DETECTABLE WARNING SURFACE ON SLOPING RAMP RUN.



* NOTE:
BOTH ENDS OF THE
DETECTABLE WARNING SURFACE
SHALL BE 5' OR LESS
FROM BACK OF CURB.

DIRECTIONAL CURB RAMP

TYPICAL PLACEMENT OF DETECTABLE WARNING SURFACE ON SLOPING RAMP RUN.

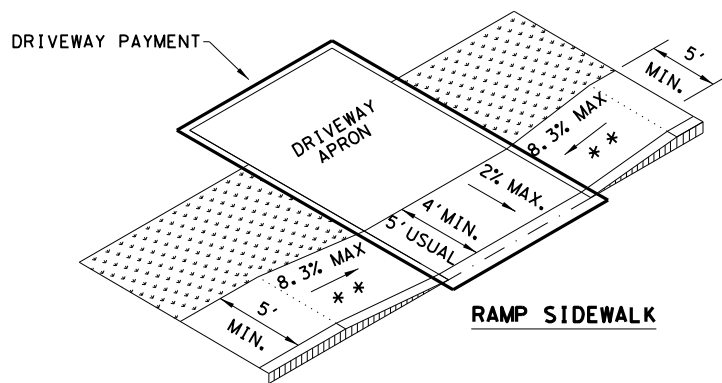
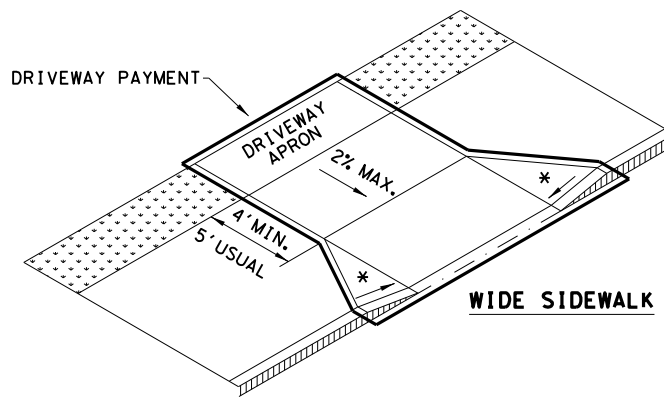
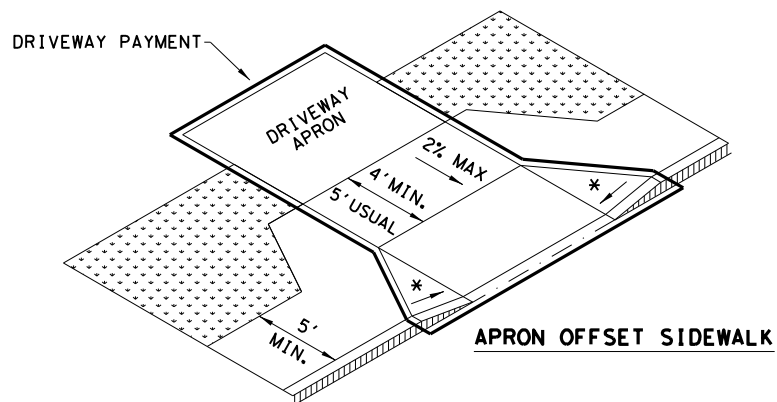
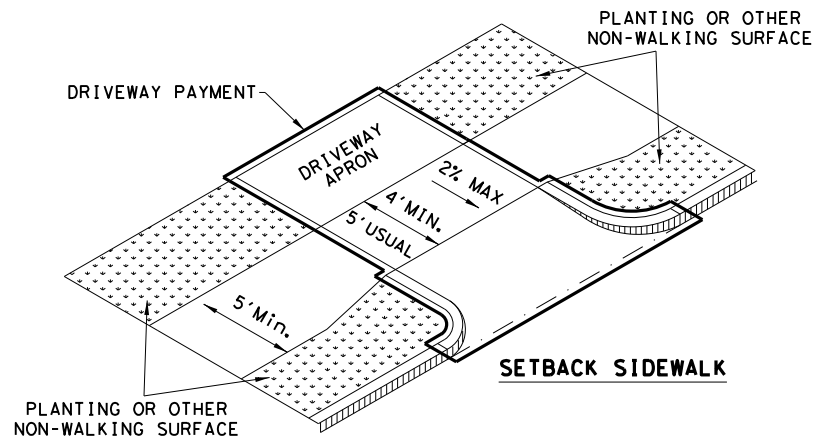
SHEET 2 OF 4

Texas Department of Transportation		Design Division Standard	
PEDESTRIAN FACILITIES CURB RAMP			
PED-18			
FILE: ped18	DN: TxDOT	DW: VP	CK: KM
© TxDOT: MARCH, 2002	CONT	SECT	JOB
REVISIONS	0915 00	253	VARIOUS
REVISED 08, 2005	DIST	COUNTY	SHEET NO.
REVISED 06, 2012	SAT	BEXAR	52
REVISED 01, 2018			

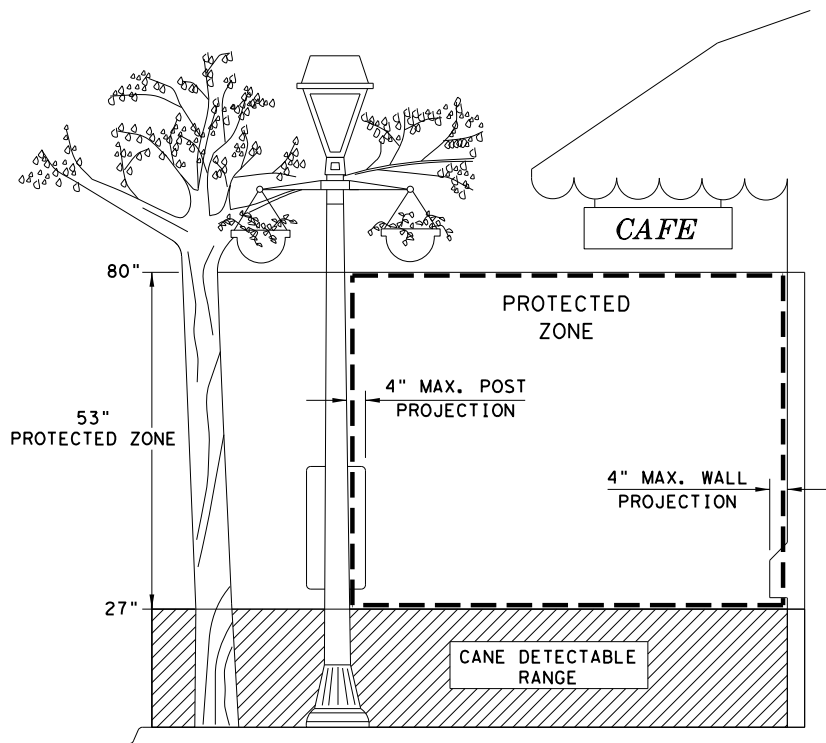
DISCLAIMER: The use of this standard is governed by the "Texas Engineering Practice Act". No warranty of any kind is made by TxDOT for any purpose whatsoever. TxDOT assumes no responsibility for the conversion of this standard to other formats or for incorrect results or damages resulting from its use.

DATE: 10/17/2022
 FILE: I:\Traffic\Design\District PS&E Tracking\Plan_Review\Bexar\0915-00-253 (Districtwide Non-Site Specific Traffic Signals)\Standards\ped18.dgn

SIDEWALK TREATMENT AT DRIVEWAYS

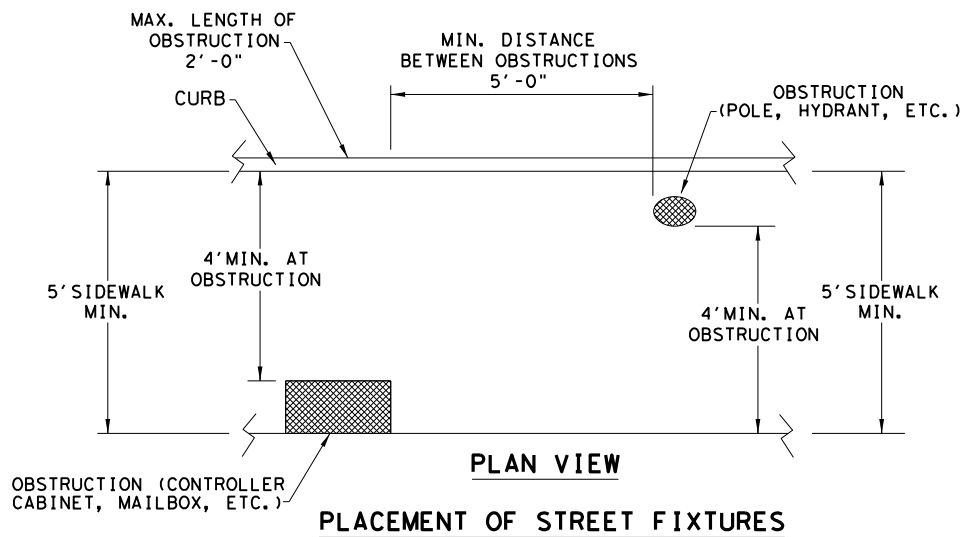
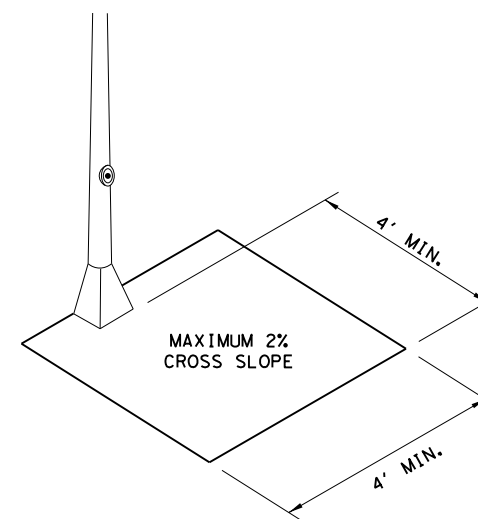


NOTES:
 * WHERE DRIVEWAYS CROSS THE PEDESTRIAN ROUTE, SIDES SHALL BE FLARED AT 10% MAX SLOPE.
 * * IF CURB HEIGHT IS GREATER THAN 6 INCHES, USE GRADE LESS THAN OR EQUAL TO 5%. HANDRAIL AND DETECTABLE WARNING ARE NOT REQUIRED.

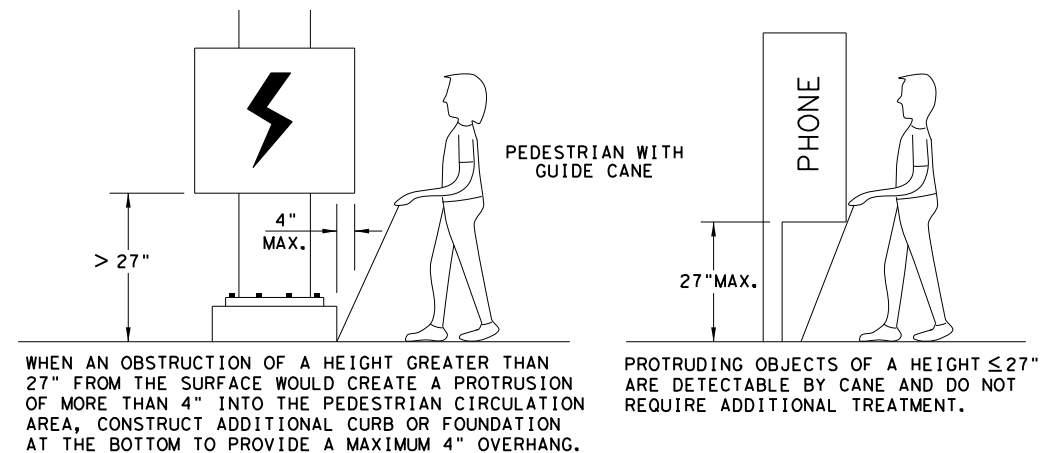


PROTECTED ZONE

NOTE: IN PEDESTRIAN CIRCULATION AREA, MAXIMUM 4" PROJECTION FOR POST OR WALL MOUNTED OBJECTS BETWEEN 27" AND 80" ABOVE THE SURFACE.



NOTE: ITEMS NOT INTENDED FOR PUBLIC USE. MINIMUM 4' X 4' CLEAR GROUND SPACE REQUIRED AT PUBLIC USE FIXTURES.



WHEN AN OBSTRUCTION OF A HEIGHT GREATER THAN 27" FROM THE SURFACE WOULD CREATE A PROTRUSION OF MORE THAN 4" INTO THE PEDESTRIAN CIRCULATION AREA, CONSTRUCT ADDITIONAL CURB OR FOUNDATION AT THE BOTTOM TO PROVIDE A MAXIMUM 4" OVERHANG.

PROTRUDING OBJECTS OF A HEIGHT ≤ 27" ARE DETECTABLE BY CANE AND DO NOT REQUIRE ADDITIONAL TREATMENT.

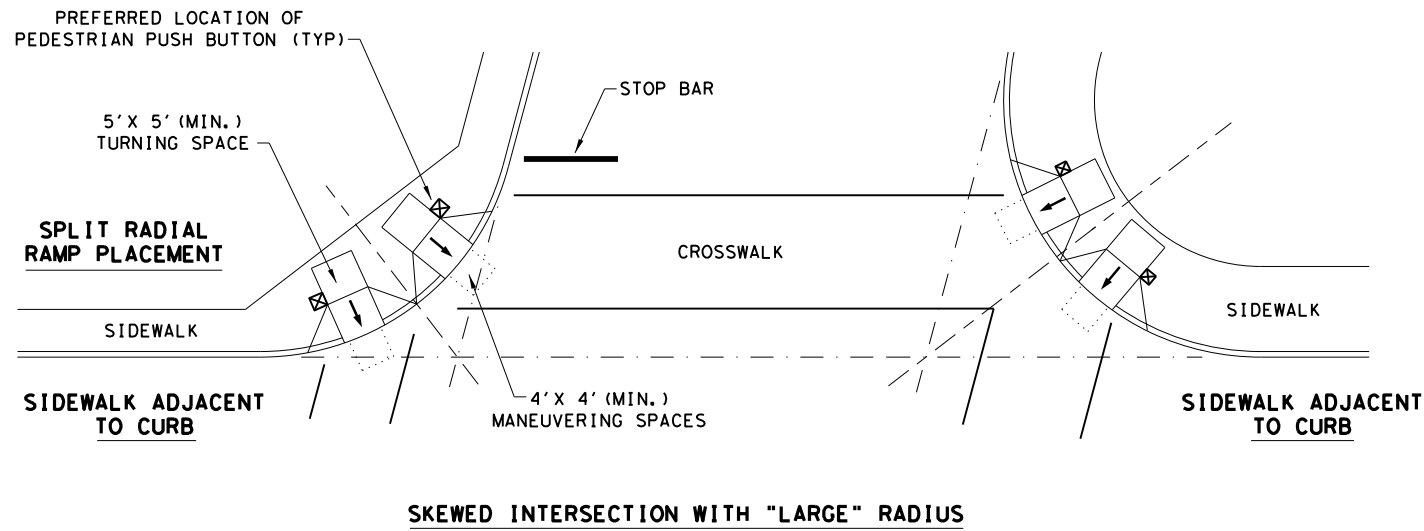
SHEET 3 OF 4

		Design Division Standard	
PEDESTRIAN FACILITIES CURB RAMPS PED-18			
FILE: ped18	DN: TxDOT	DW: VP	CK: KM
© TxDOT: MARCH, 2002	CONT	SECT	JOB
REVISIONS	0915	00	253
REVISOR	DIST	COUNTY	SHEET NO.
REVISOR: 08, 2005	SAT	BEXAR	53
REVISOR: 06, 2012			
REVISOR: 01, 2018			

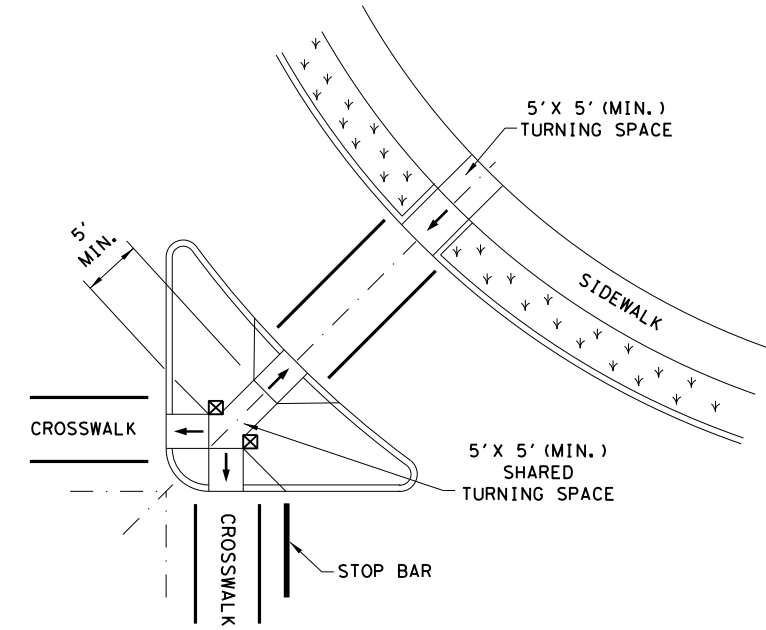
DISCLAIMER: The use of this standard is governed by the "Texas Engineering Practice Act". No warranty of any kind is made by TxDOT for any purpose whatsoever. TxDOT assumes no responsibility for the conversion of this standard to other formats or for incorrect results or damages resulting from its use.

DATE: 10/17/2022
 FILE: I:\Traffic\Design\District_PS&E_Tracking\Plan_Review\Bexar\0915-00-253 (Districtwide Non-Site Specific Traffic Signals)\Standards\ped18.dgn

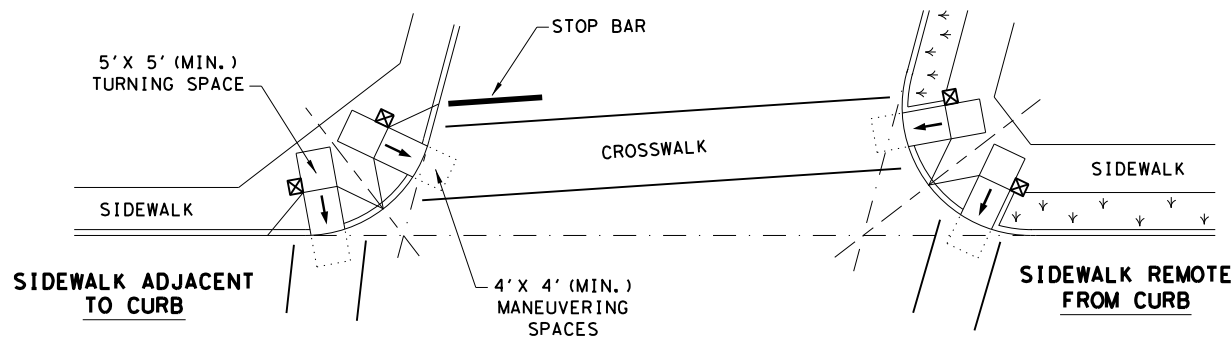
TYPICAL CROSSING LAYOUTS
 SEE SHEET 1 OF 4 FOR DETAILS AND DIMENSIONS



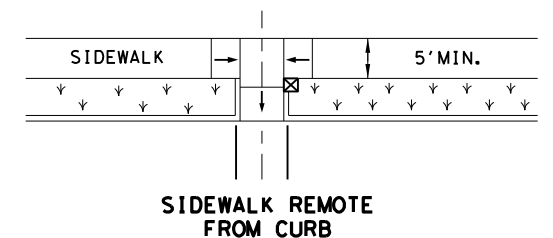
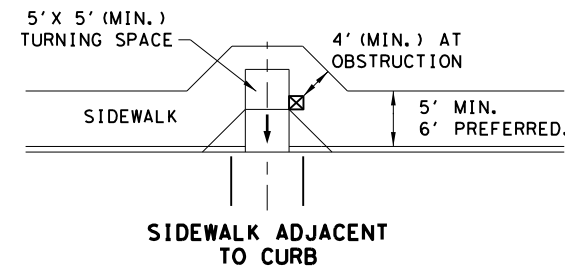
SKewed INTERSECTION WITH "LARGE" RADIUS



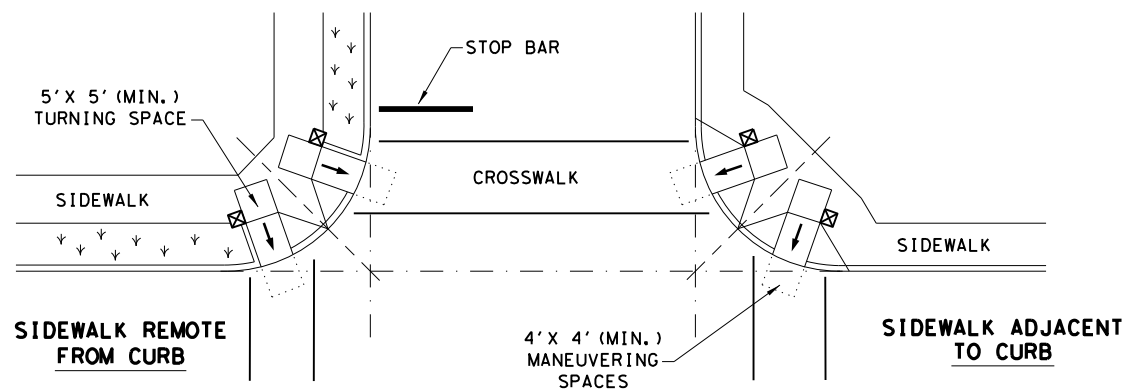
AT INTERSECTION
 W/FREE RIGHT TURN & ISLAND



SKewed INTERSECTION WITH "SMALL" RADIUS



MID-BLOCK PLACEMENT
 PERPENDICULAR RAMPS



NORMAL INTERSECTION WITH "SMALL" RADIUS

LEGEND:

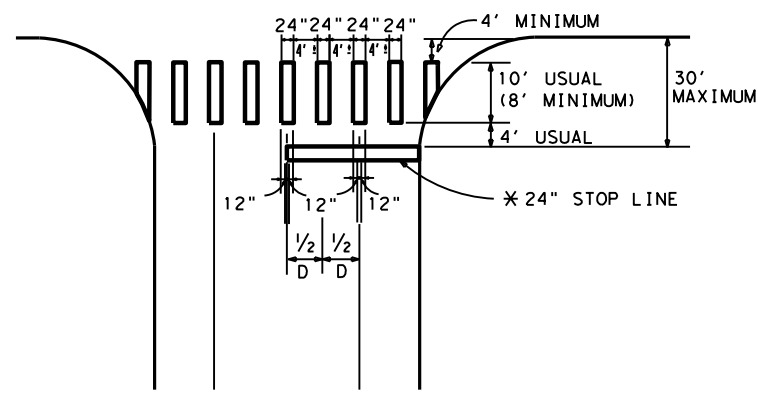
SHOWS DOWNWARD SLOPE. →

DENOTES PREFERRED LOCATION OF PEDESTRIAN PUSH BUTTON (IF APPLICABLE). ☒

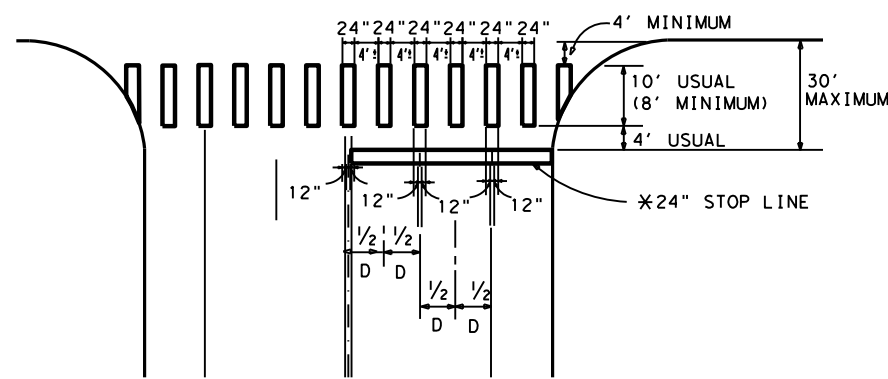
DENOTES PLANTING OR NON-WALKING SURFACE NOT PART OF PEDESTRIAN CIRCULATION PATH. ↙ ↘ ↙ ↘ ↙ ↘

SHEET 4 OF 4

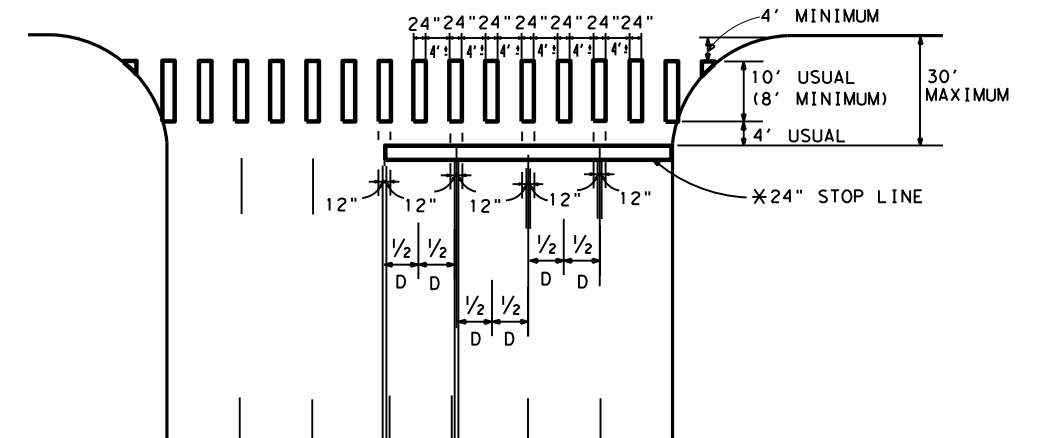
		Design Division Standard	
<h2>PEDESTRIAN FACILITIES</h2> <h3>CURB RAMPS</h3> <h1>PED-18</h1>			
FILE: ped18	DN: TxDOT	DW: VP	CK: KM
© TxDOT: MARCH, 2002	CONT: 0915 00	SECT: 253	JOB: VARIOUS
REVISIONS	DIST: SAT	COUNTY: BEXAR	SHEET NO.: 54



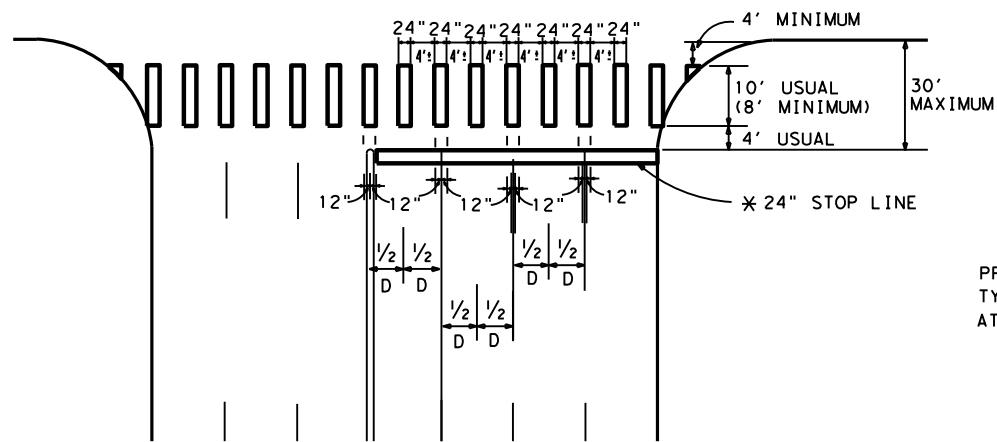
TWO LANES WITH SHOULDERS



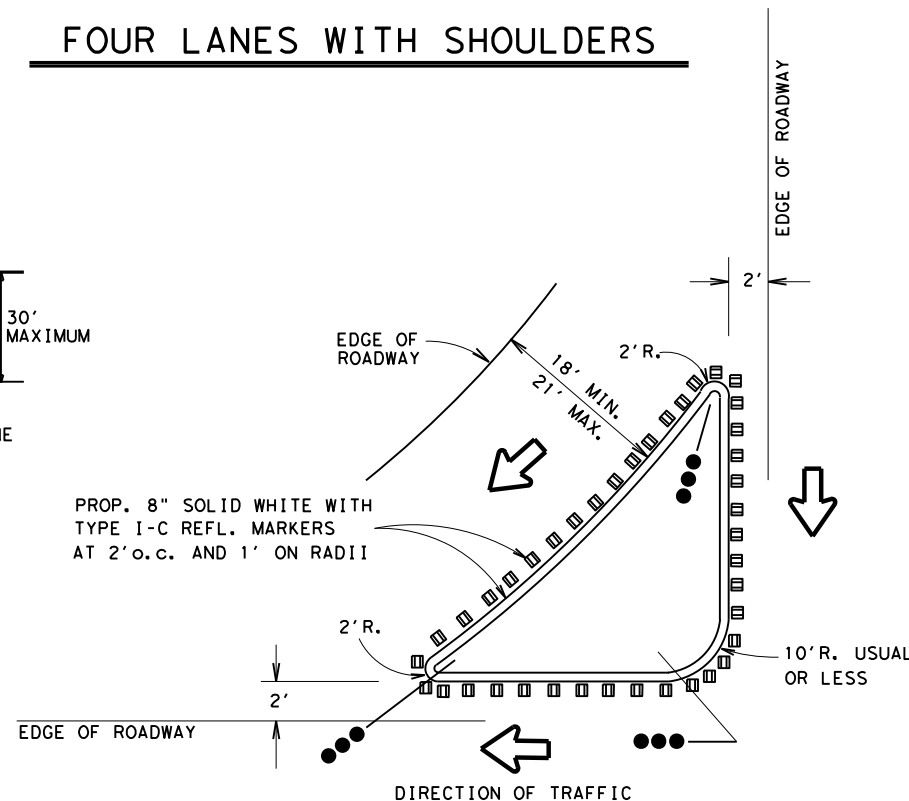
FOUR LANES WITH SHOULDERS



MULTI - LANES

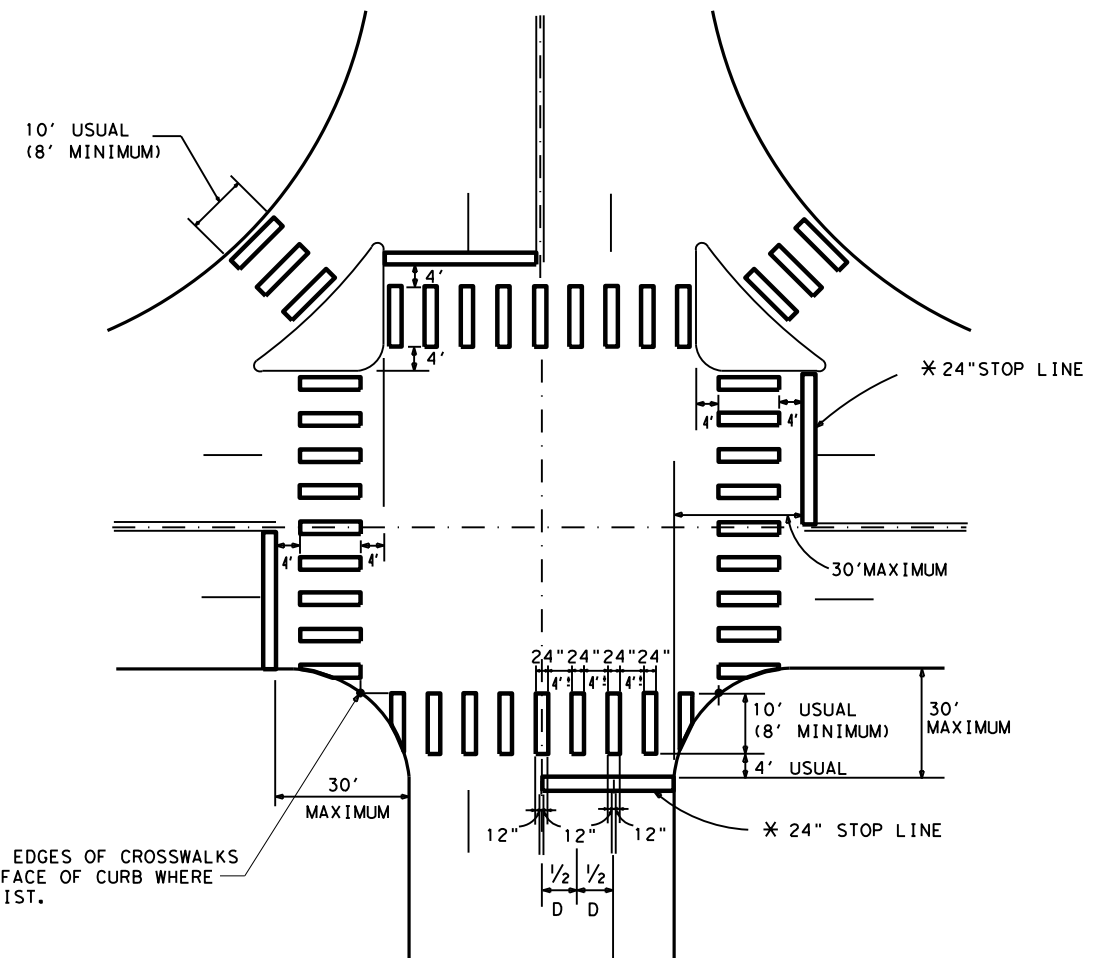


MULTI - LANE WITH MEDIAN

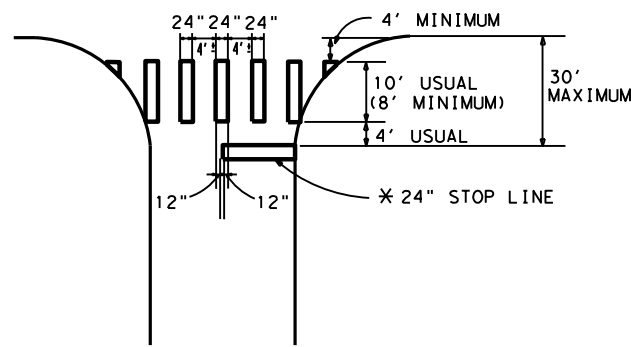


TYPICAL RIGHT TURN ISLAND WITH DELINEATION

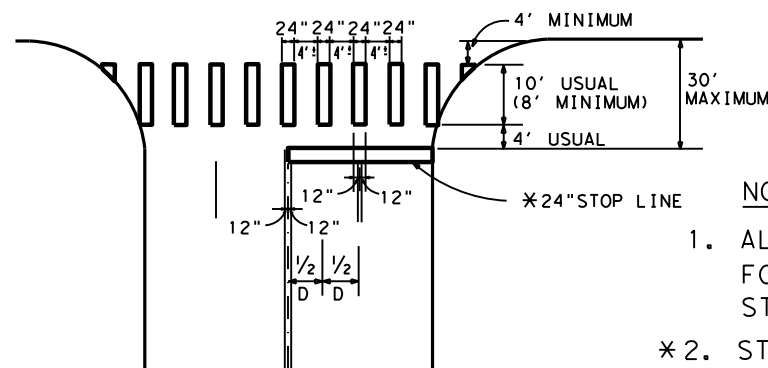
COMMON POINT OF OUTSIDE EDGES OF CROSSWALKS AT EDGE OF PAVEMENT OR FACE OF CURB WHERE NO RIGHT TURN ISLAND EXIST.



INTERSECTION WITH RIGHT - TURN ISLANDS



TWO LANES



FOUR LANES

NOTES:

1. ALL LONGITUDINAL LINES FORMING CROSSWALK AND STOP LINES SHALL BE WHITE
- *2. STOP LINES AS REQUIRED ON DETAILED PAVEMENT MARKING PLANS.
3. "D" IS EQUAL TO ONE HALF THE DISTANCE.

San Antonio District Standard
TYPICAL CROSSWALK DETAILS

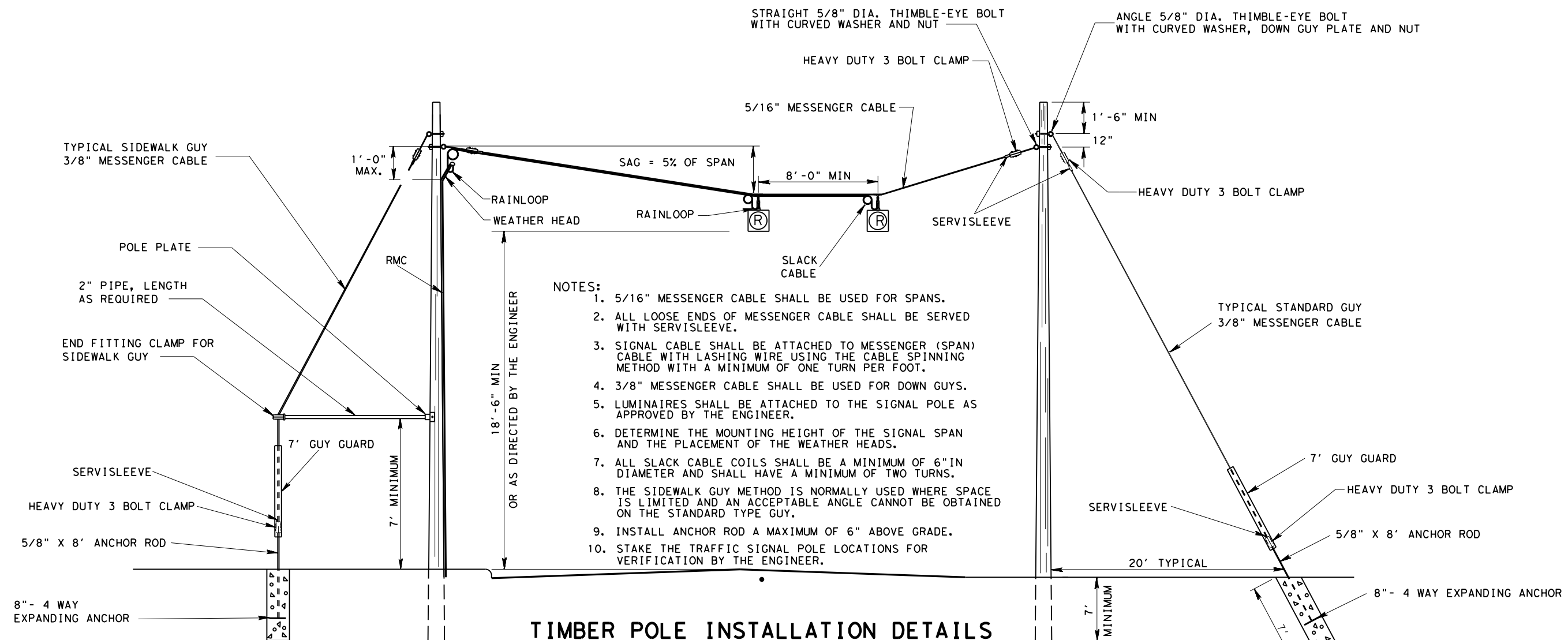
TCD-05

© 2021 Texas Department of Transportation

REVISIONS	FED. RD. DIV. NO.	FEDERAL AID PROJECT NO.	SHEET NO.
DEC 1999 AUG 2005	6	SEE TITLE SHEET	55
	STATE	DIST.	COUNTY
	TEXAS	SAT	BEXAR
	CONT.	SECT.	JOB
	0915	00	253
			HIGHWAY NO.
			VARIOUS

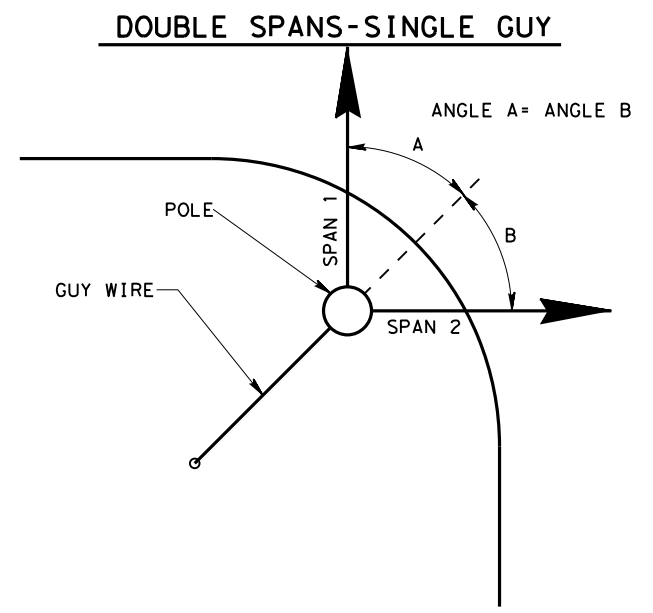
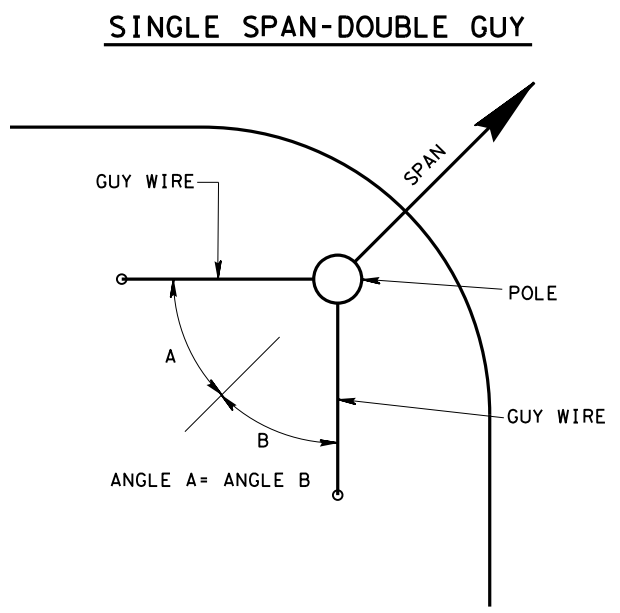
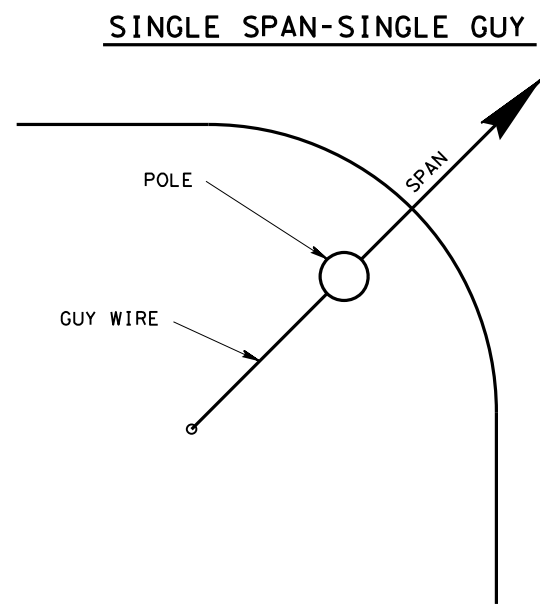
ACC:

1	2	3	4	5	6	7	8	9	10	11	12	13	14	15	16
17	18	19	20	21	22	23	24	25	26	27	28	29	30	31	32
33	34	35	36	37	38	39	40	41	42	43	44	45	46	47	48
49	50	51	52	53	54	55	56	57	58	59	60	61	62	63	64



- NOTES:**
1. 5/16" MESSENGER CABLE SHALL BE USED FOR SPANS.
 2. ALL LOOSE ENDS OF MESSENGER CABLE SHALL BE SERVED WITH SERVISLEEVE.
 3. SIGNAL CABLE SHALL BE ATTACHED TO MESSENGER (SPAN) CABLE WITH LASHING WIRE USING THE CABLE SPINNING METHOD WITH A MINIMUM OF ONE TURN PER FOOT.
 4. 3/8" MESSENGER CABLE SHALL BE USED FOR DOWN GUYS.
 5. LUMINAIRES SHALL BE ATTACHED TO THE SIGNAL POLE AS APPROVED BY THE ENGINEER.
 6. DETERMINE THE MOUNTING HEIGHT OF THE SIGNAL SPAN AND THE PLACEMENT OF THE WEATHER HEADS.
 7. ALL SLACK CABLE COILS SHALL BE A MINIMUM OF 6" IN DIAMETER AND SHALL HAVE A MINIMUM OF TWO TURNS.
 8. THE SIDEWALK GUY METHOD IS NORMALLY USED WHERE SPACE IS LIMITED AND AN ACCEPTABLE ANGLE CANNOT BE OBTAINED ON THE STANDARD TYPE GUY.
 9. INSTALL ANCHOR ROD A MAXIMUM OF 6" ABOVE GRADE.
 10. STAKE THE TRAFFIC SIGNAL POLE LOCATIONS FOR VERIFICATION BY THE ENGINEER.

**TIMBER POLE INSTALLATION DETAILS
FLASHING BEACONS**



TYPICAL GUY ALIGNMENT

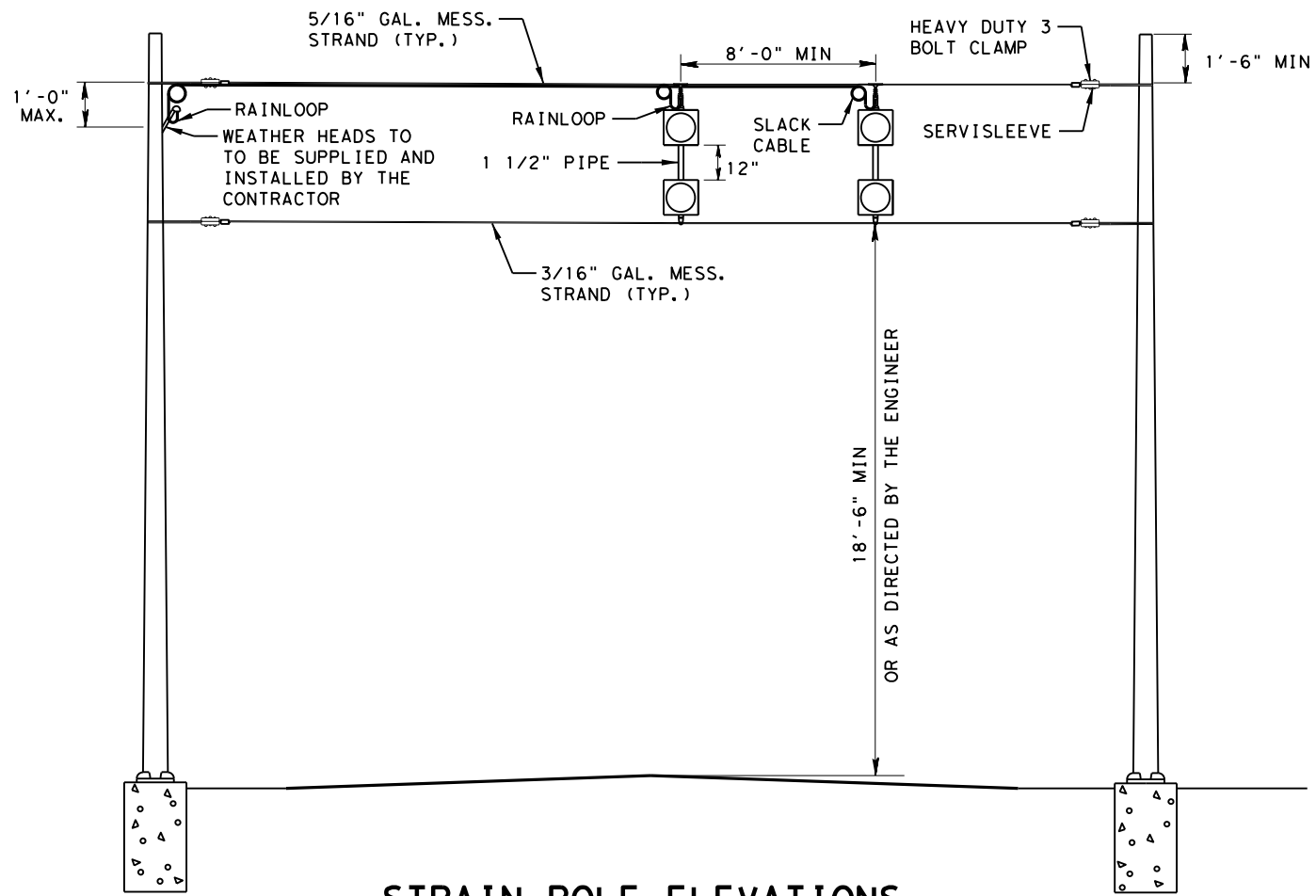
Texas Department of Transportation
 © 2018

San Antonio District Standard
**FLASHING BEACON TIMBER POLE
INSTALLATION DETAILS**

SCALE: NS **FBTP-18**

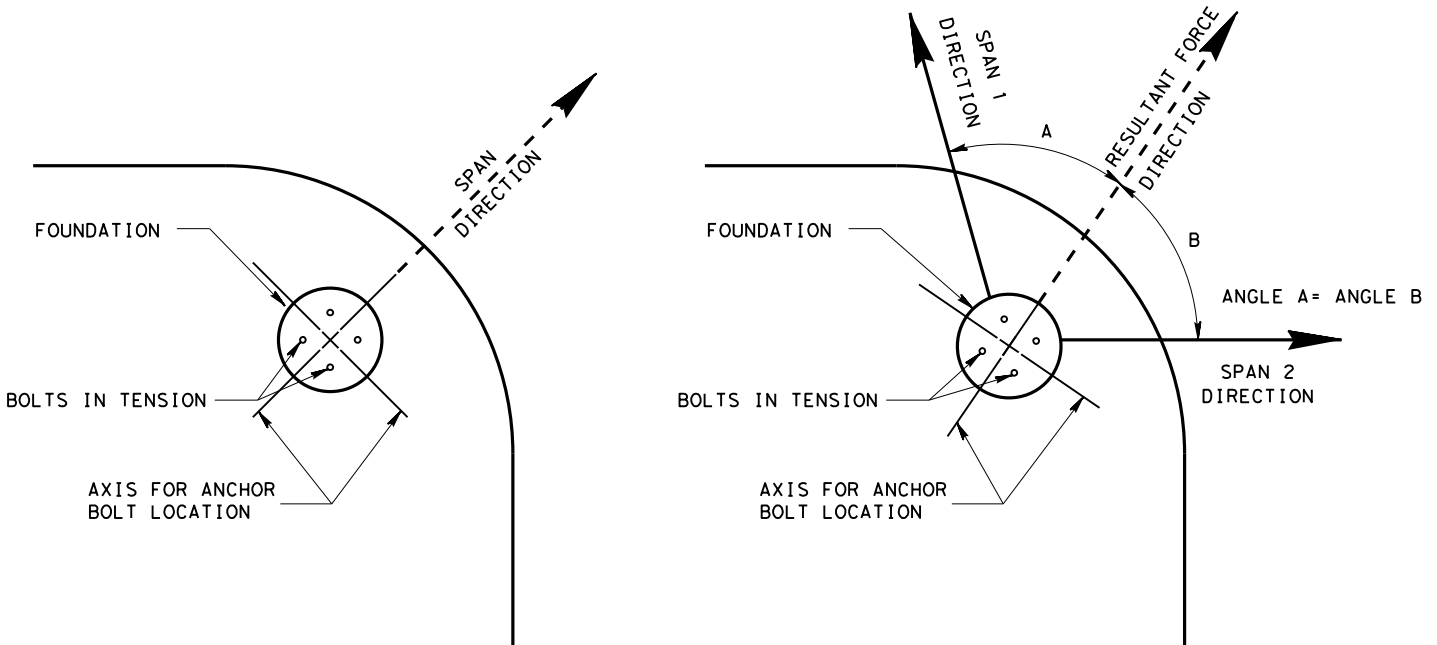
REVISIONS	FED. RD. DIV. NO.	FEDERAL AID PROJECT NO.	SHEET NO.
FEB 2006	6	SEE TITLE SHEET	56
OCT 2006	STATE	DIST.	COUNTY
MAY 2018	TEXAS	SAT	BEXAR
	CONT.	SECT.	JOB
			253
			HIGHWAY NO.
			VARIOUS

1:54:56 PM
 10/17/2022
 T:\Traffic\Design\District PS&E Tracking\Plan Review\Bexar\0915-00-253 (Districtwide Non-Site Specific Traffic Signals)\Stand



**STRAIN POLE ELEVATIONS
FLASHING BEACONS**

- NOTES:
1. 5/16" AND 3/16" MESSENGER CABLE SHALL BE USED FOR SPANS.
 2. ALL LOOSE ENDS OF MESSENGER CABLE SHALL BE SERVED WITH SERVISLEEVE.
 3. SIGNAL CABLE AND DETECTOR CABLE SHALL BE ATTACHED TO MESSENGER (SPAN) CABLE WITH LASHING WIRE USING THE CABLE SPINNING METHOD WITH A MINIMUM OF ONE TURN PER FOOT.
 4. DETERMINE THE MOUNTING HEIGHT OF THE SIGNAL SPAN AND THE PLACEMENT OF THE WEATHER HEADS.
 5. ALL SLACK CABLE COILS SHALL BE A MINIMUM OF 6" IN DIAMETER AND SHALL HAVE A MINIMUM OF TWO TURNS.
 6. WEATHER HEADS INSTALLED ON THE STRAIN POLE SHALL EQUAL THE SIZE AND NUMBER OF CONDUIT INSTALLED IN THE SIGNAL POLE FOUNDATION.



TYPICAL ANCHOR BOLT ALIGNMENT

ACC:

1	2	3	4	5	6	7	8	9	10	11	12	13	14	15	16
17	18	19	20	21	22	23	24	25	26	27	28	29	30	31	32
33	34	35	36	37	38	39	40	41	42	43	44	45	46	47	48
49	50	51	52	53	54	55	56	57	58	59	60	61	62	63	64

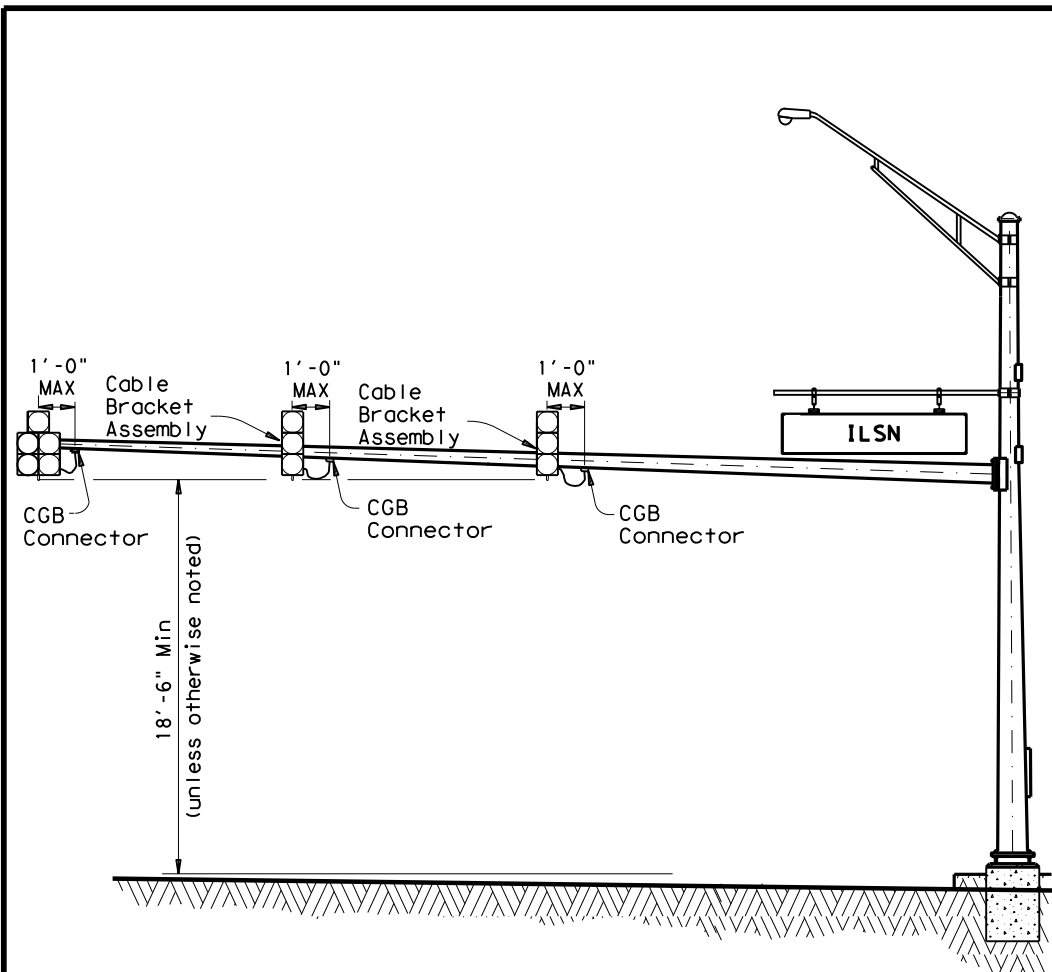
LEVELS DISPLAYED

Texas Department of Transportation
 © 2018
 San Antonio District Standard
**FLASHING BEACON STEEL STRAIN POLE
INSTALLATION DETAILS**

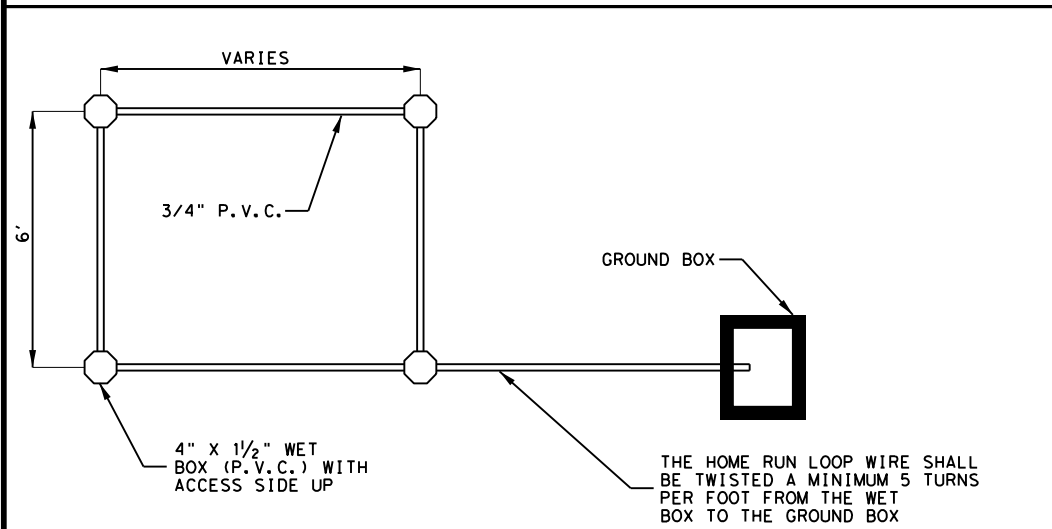
SCALE: NS **FBSP-18**

REVISIONS	FED. RD. DIV. NO.	FEDERAL AID PROJECT NO.	SHEET NO.
FEB 2006	6	SEE TITLE SHEET	57
OCT 2006			
MAY 2018			
STATE	DIST.	COUNTY	
TEXAS	SAT	BEXAR	
CONT.	SECT.	JOB	HIGHWAY NO.
		0915 00	253 VARIOUS

1:54:56 PM
 10/17/2022
 I:\Traffic Design\District PS&E Tracking\Plan Review\Bexar\0915-00-253 (Districtwide Non-Site Specific Traffic Signals)\Station

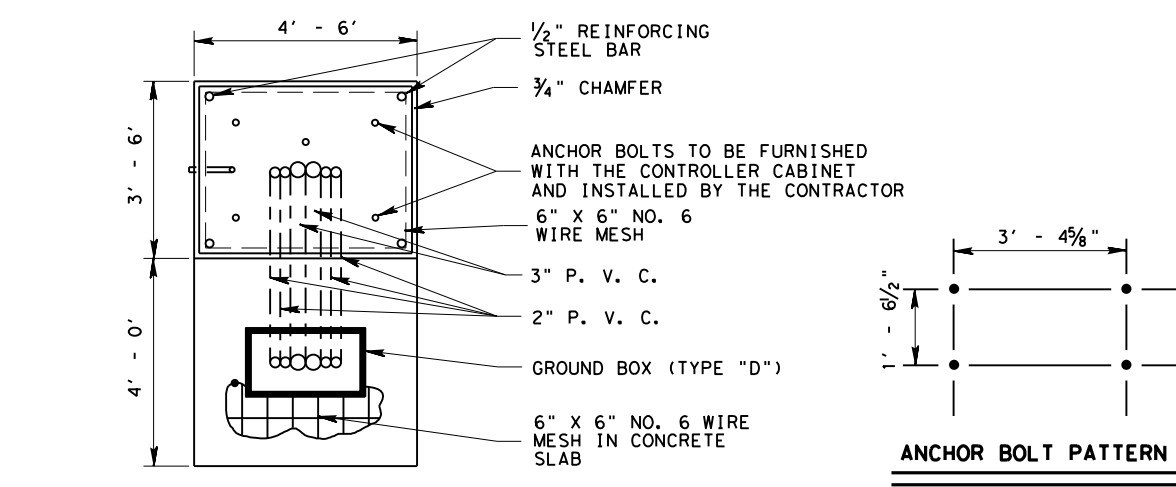


TYPICAL MAST ARM INSTALLATION
 BACKPLATES ARE NOT SHOWN FOR CLARITY

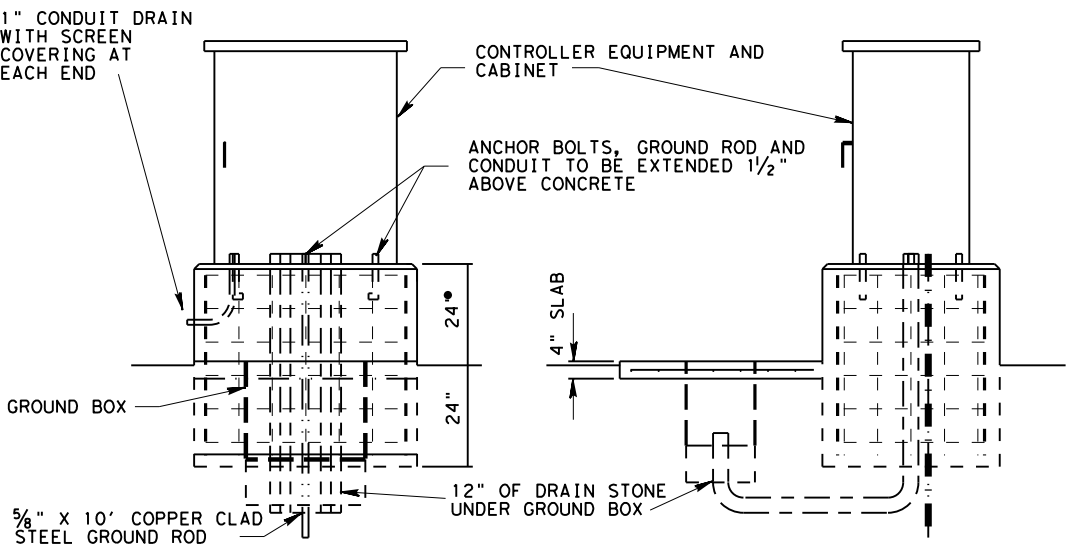


CONDUIT ENCASED LOOPS

NOTES:
 SHALL INSTALL CONDUIT ENCASED LOOPS AT THE LOCATIONS SHOWN ON THE PLANS USING 3/4" DIAMETER PVC SCHEDULE 40 OR AT NO ADDITIONAL COST 1" DIAMETER PVC SCHEDULE 80.
 LOOP LOCATIONS MAY BE STAGGERED SLIGHTLY (6") TO ACCOMMODATE HOME RUN PLACEMENT.
 INDIVIDUAL HOME RUN CONDUITS SHALL BE EXTENDED TO THE GROUND BOX SHOWN ON THE PLANS FOR EACH LOOP INSTALLED.
 THE NUMBER OF LOOP WIRE TURNS SHALL BE AS SHOWN ON THE TYPICAL LOOP DETECTOR DETAILS.

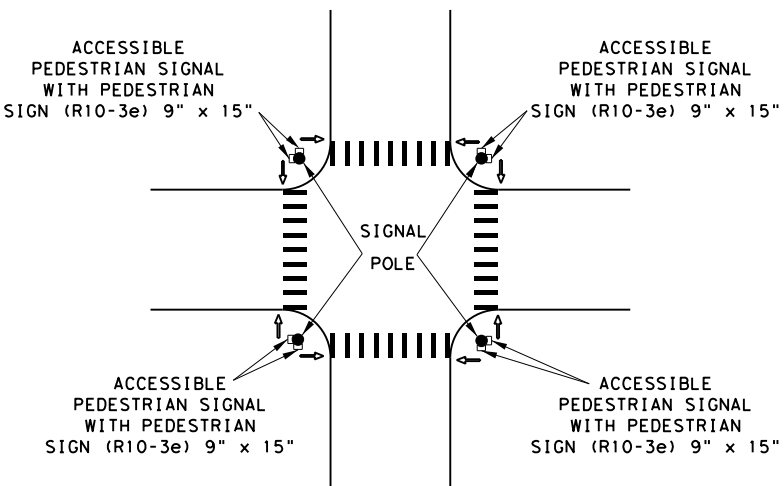


ANCHOR BOLT PATTERN



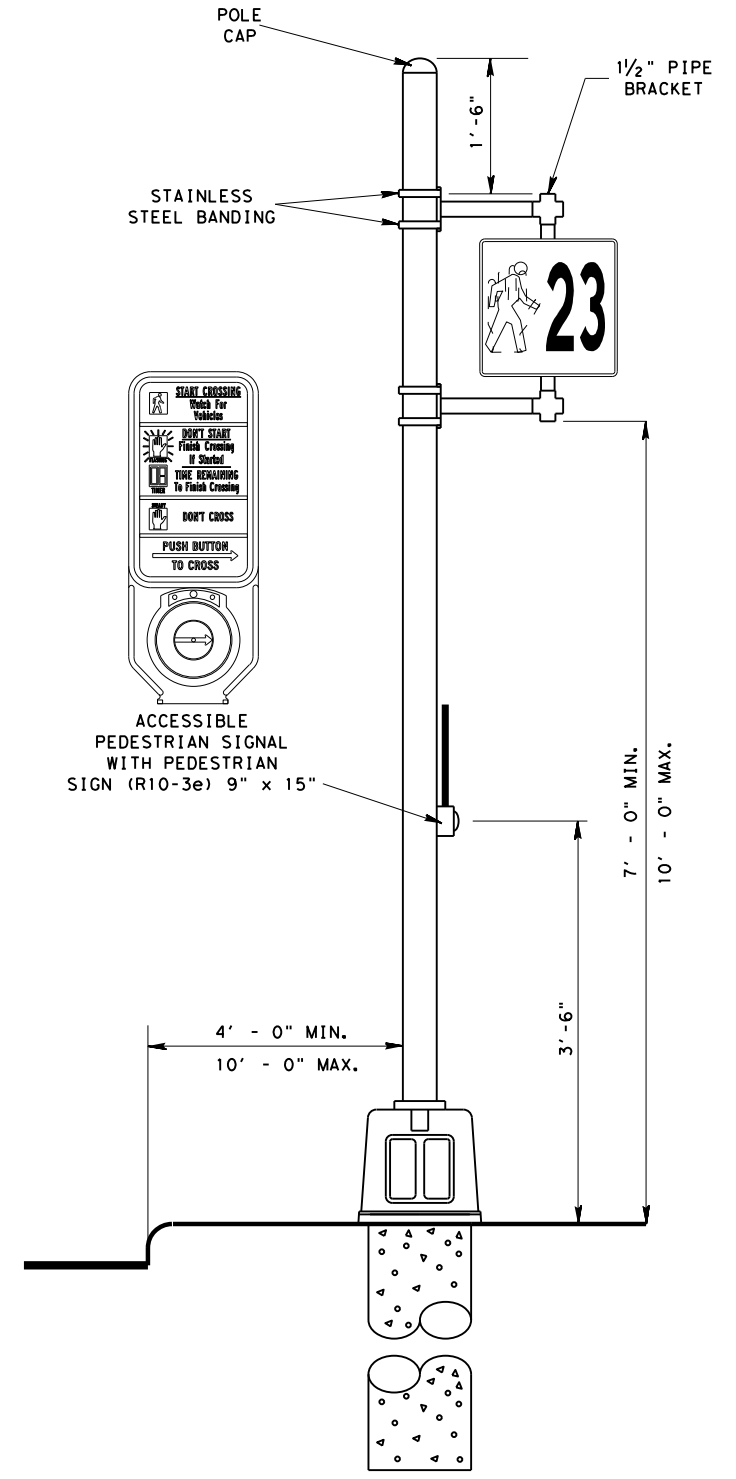
CONTROLLER MOUNT NOTES :
 ALL WIRING TERMINATING IN THE CONTROLLER SHALL BE LABELED IN A MANNER THAT CAN BE IDENTIFIED WHEN THE CONTROLLER IS INSTALLED THE CONTRACTOR SHALL CONNECT THE FIELD WIRING TO THE CONTROLLER
 ONE 2" PVC SHALL REMAIN EMPTY FOR FUTURE USE
 CONCRETE SHALL BE TESTED AS MISCELLANEOUS CONCRETE
 ALL MATERIALS SHOWN AND LABOR TO INSTALL THE CONTROLLER FOUNDATION SHALL BE CONSIDERED SUBSIDIARY TO PERTINENT ITEMS
 CONTROLLER FOUNDATION SHALL BE AS SHOWN ON THE PLANS, UNLESS OTHERWISE DIRECTED BY THE ENGINEER.

TYPICAL CONTROLLER MOUNT DETAILS



TYPICAL PED PUSH BUTTON LOCATION

THE ENGINEER SHALL VERIFY ALL PEDESTRIAN SIGNAL AND PEDESTRIAN PUSH BUTTON LOCATIONS PRIOR TO INSTALLATION.



TYPICAL PEDESTAL POLE ASSEMBLY



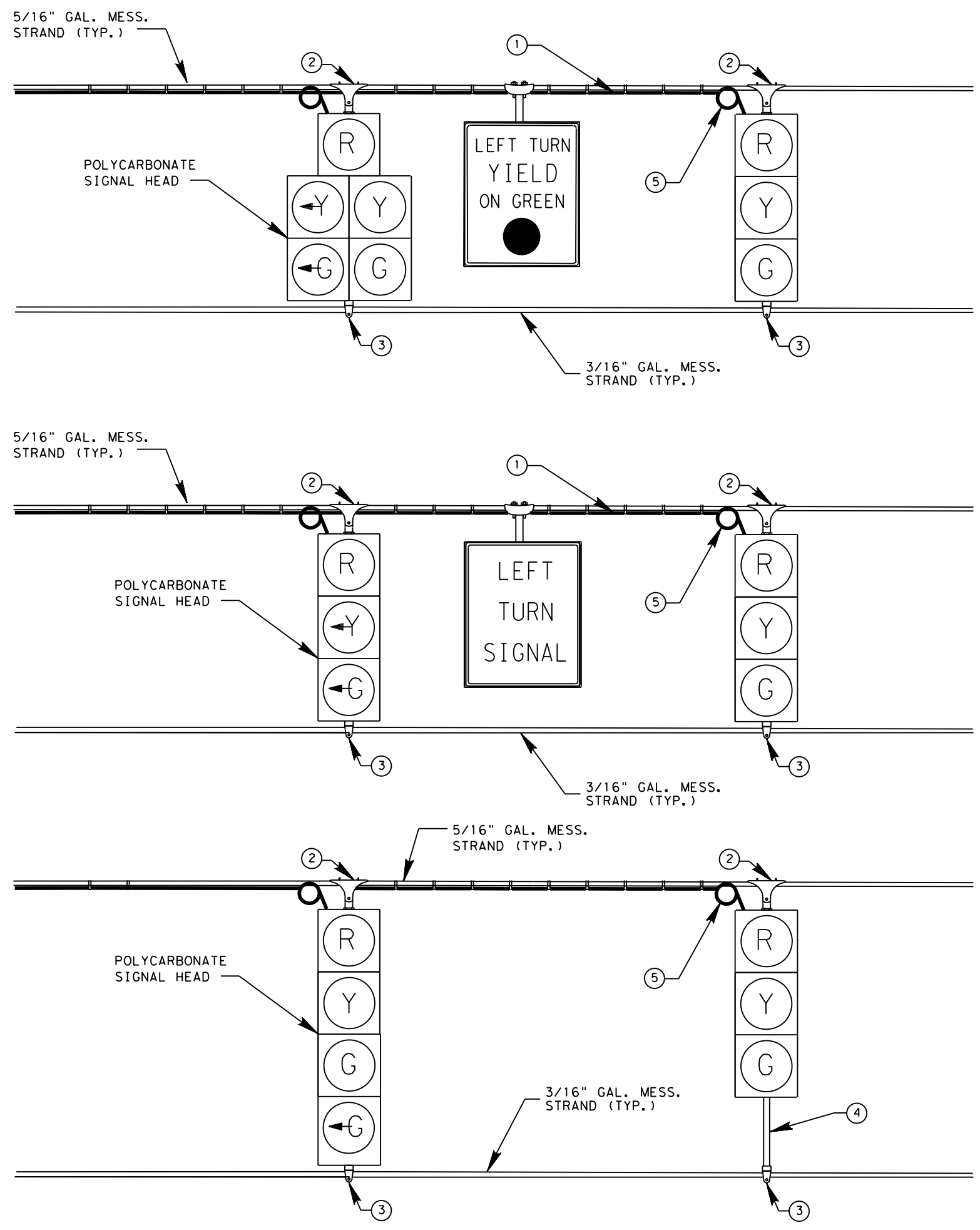
San Antonio District Standard
MISCELLANEOUS TRAFFIC SIGNAL DETAILS

SCALE: NS		MTS-18	
REVISIONS	FED. RD. DIV. NO.	FEDERAL AID PROJECT NO.	SHEET NO.
FEB 2006	6	SEE TITLE SHEET	58
OCT 2007	STATE	DIST.	COUNTY
MAR 2017	TEXAS	SAT	BEXAR
MAY 2018	CONT.	SECT.	JOB
	0915	00	253
			HIGHWAY NO.
			VARIOUS

1:54:57 PM
10/17/2022
T:\Traffic\Design\District P&E Tracking\Plan Review\Bexar\0915-00-253 (Districtwide Non-Site Specific Traffic Signals)\Stations

LEVELS DISPLAYED ACC:

1	2	3	4	5	6	7	8	9	10	11	12	13	14	15	16
1	7	18	19	20	21	22	23	24	25	26	27	28	29	30	31
3	33	34	35	36	37	38	39	40	41	42	43	44	45	46	47
4	49	50	51	52	53	54	55	56	57	58	59	60	61	62	63



- ① LEAD - IN CABLE FROM CONTROLLER TO SIGNAL HEAD.
- ② CAST ALUMINUM SPAN WIRE CLAMP AND CLEVIS ADAPTER. SECURE CLEVIS PIN WITH A WASHER (BOTH ENDS) AND HUMP BACK COTTER PIN. DRILL CLEVIS PIN OPENINGS AND FIT WITH A SPLIT BUSHING. CLEVIS PIN, WASHER, COTTER PIN, AND SPLIT BUSHING TO BE STAINLESS STEEL.
- ③ BREAKAWAY TETHER ASSEMBLY.
- ④ 1 1/2 ALUM. PIPE (TYP.).
- ⑤ ALL SLACK CABLE COILS SHALL BE A MINIMUM OF 6" IN DIAMETER AND SHALL HAVE A MINIMUM OF TWO TURNS.

NOTE: BACKPLATES OMITTED FOR CLARITY.
 SETSCREWS SHALL BE INSTALLED IN ALL PIPE FITTINGS.
 SIGNAL CABLE AND DETECTOR CABLE SHALL BE ATTACHED TO MESSENGER (SPAN) CABLE WITH LASHING WIRE USING THE CABLE SPINNING METHOD WITH A MINIMUM OF ONE TURN PER FOOT.
 SEE FLASHING BEACON STRAIN POLE OR TIMBER POLE INSTALLATION DETAILS FOR ADDITIONAL INFORMATION.

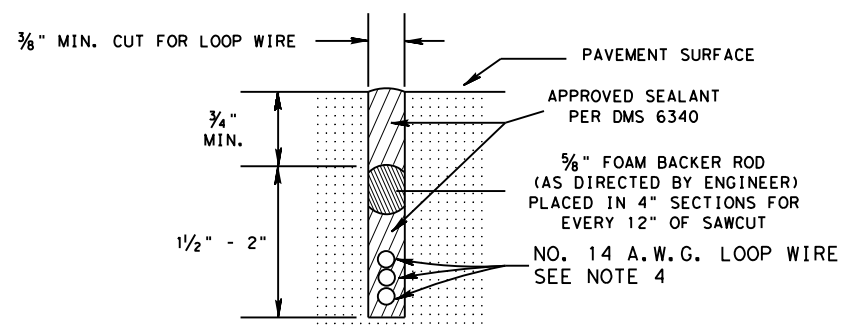
Texas Department of Transportation
© 2018

San Antonio District Standard
**SIGNAL HEAD SPAN
WIRE MOUNT DETAILS**

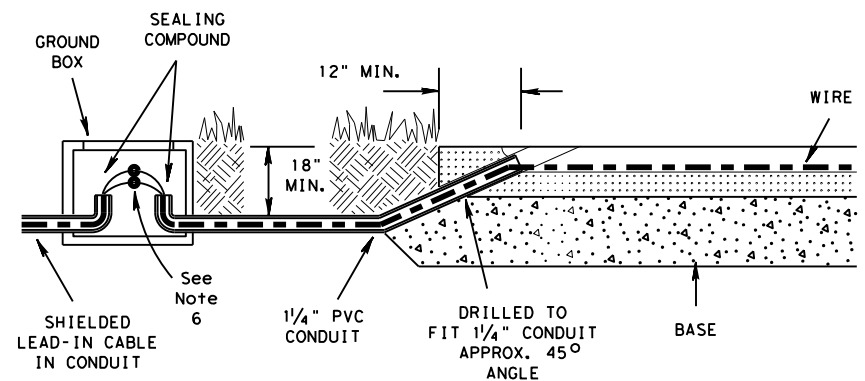
SCALE: NS **SHS(1)-07**

REVISIONS	FED. RD. DIV. NO.	FEDERAL AID PROJECT NO.	SHEET NO.
FEB 2006	6	SEE TITLE SHEET	59
OCT 2006			
OCT 2007			
STATE	DIST.	COUNTY	
TEXAS	SAT	BEXAR	
CONT.	SECT.	JOB	HIGHWAY NO.
0915	00	253	VARIOUS

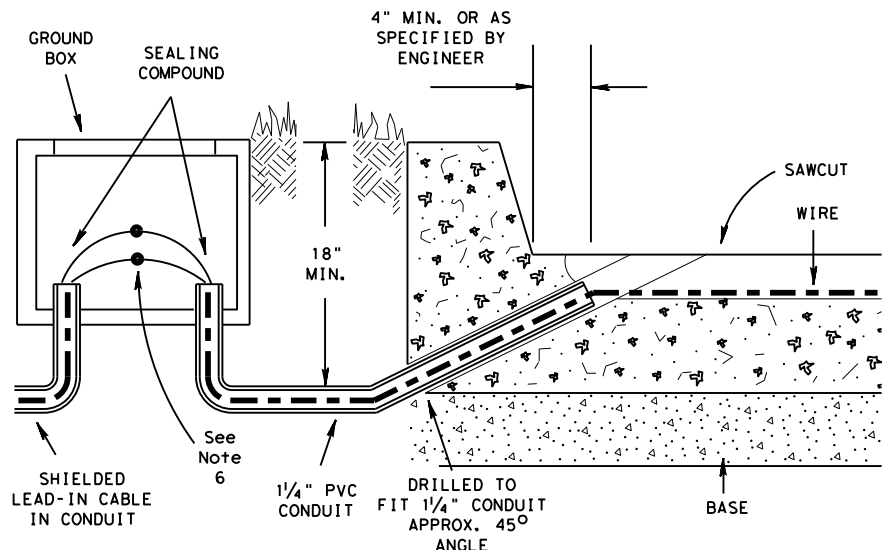
1:54:57 PM
 10/17/2012
 I:\Traffic\Design\District PS&E Tracking\Plan Review\Bexar\0915-00-253 (Districtwide Non-Site Specific Traffic Signals)\Stron



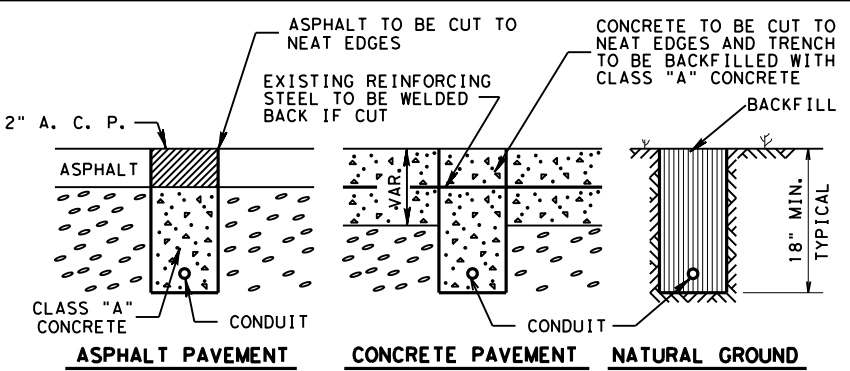
LOOP SAW CUT CROSS-SECTION



TYPICAL LEAD IN CONFIGURATION (WITHOUT CURBING)



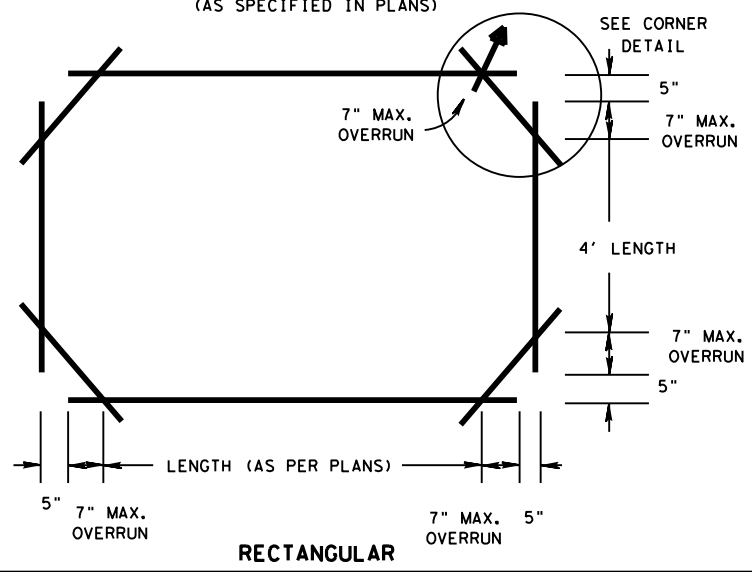
TYPICAL LEAD IN CONFIGURATION (WITH CURBING)



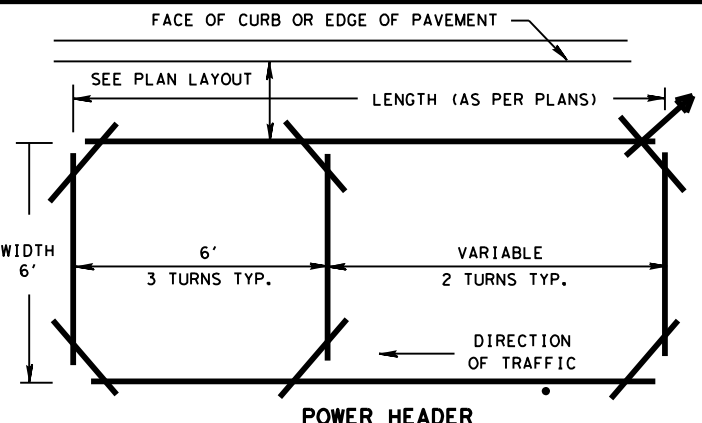
TRENCH DETAILS

CONCRETE TO BE TESTED AS MISCELLANEOUS CONCRETE
 WIDTH OF TRENCH SHALL BE WIDE ENOUGH TO ACCOMMODATE CONDUIT

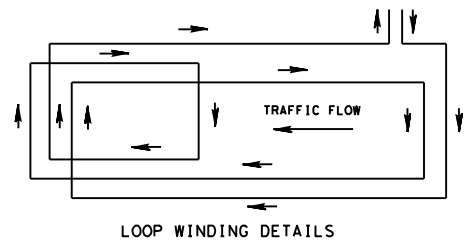
TYPICAL LOOP DETECTOR LAYOUTS (AS SPECIFIED IN PLANS)



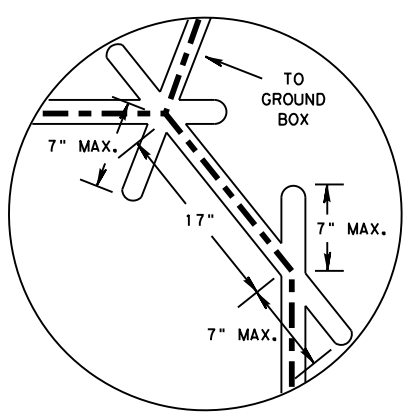
RECTANGULAR



POWER HEADER



TYPICAL CORNER DETAILS



SAWCUT CORNER DETAIL

7" OVERRUN BASED ON 24" DIAMETER SAW BLADE

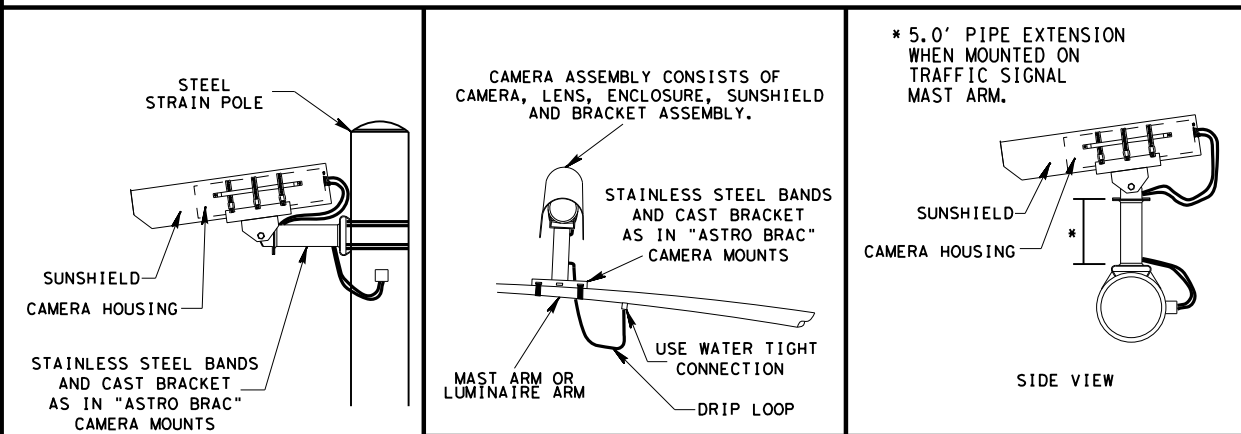
LOOP DETECTOR NOTES :

- THE PAVEMENT CUT IS TO BE MADE WITH ANY EQUIPMENT THAT WILL PRODUCE A NEAT STRAIGHT LINE OF THE SIZE INDICATED. ALL LOOSE MATERIAL SHALL BE REMOVED. THE CUT SHALL BE CLEAN AND DRY WHEN THE WIRE AND THE SEALANT IS PLACED
- WHERE MORE THAN ONE LOOP IS PLACED ON AN INTERSECTION APPROACH, THE WIRE FROM LOOP TO GROUND BOX SHALL NOT BE PLACED IN A SAW CUT WITH WIRE FROM OTHER LOOPS UNLESS OTHERWISE SHOWN IN THE PLANS
- THE LOOP WIRE SHALL BE TWISTED A MINIMUM OF FIVE TURNS PER FOOT FROM THE EDGE OF THE ROAD TO THE GROUND BOX AND NO SPLICES SHALL BE PERMITTED IN THE LOOP OR IN THE RUN TO THE PULL BOX
- THE 1/C#14 LOOP WIRE SHALL BE SINGLE CONDUCTOR CROSSLINKED POLYETHYLENE (0.045) INSULATED WIRE, TYPE: USE, RHH, RHW, 14 AWG STRANDED COPPER RATED AT 600 VOLTS
- THE 2/C#14 LOOP CABLE SHALL BE TWO CONDUCTOR SHIELDED CABLE, 14 AWG, 19 X 27 STRANDED, 600 VOLT TINNED COPPER, POLYETHYLENE INSULATED, TWISTED PAIR, TWISTED A MINIMUM OF FIVE TURNS PER FOOT, ALUMINUM-POLYESTER SHIELD, 16 AWG STRANDED TINNED COPPER DRAIN WIRE, CHROME VINYL JACKET, 100% SHIELD COVERAGE THE LOOP CABLE SHALL BE CONTINUOUS WITHOUT SPLICES
- THE LOOP WIRE SHALL BE SPLICED TO THE LOOP CABLE BY SOLDERING CONDUCTORS, SECURING WITH A WIRE NUT AND FULLY ENCAPSULATING INTO A WATER TIGHT COMMERCIAL SPLICING KIT
- ALL LOOP WIRE PLACED IN A SAW CUT SHALL BE SEALED BY FULLY ENCAPSULATING IT WITH LOOP WIRE SEALANT
- ALL LOOP WIRE AND LOOP CABLE SHALL BE TESTED. WIRE AND CABLE TESTING LESS THAN 50 MEGAOHMS INSULATION RESISTANCE AT 500 VOLTS SHALL BE REPLACED BY THE CONTRACTOR AT HIS EXPENSE. THIS TEST SHOULD BE MADE BEFORE, DURING AND AFTER EACH COMPLETE LOOP DETECTOR INSTALLATION
- UPON COMPLETION OF THE COMPLETE LOOP DETECTOR SYSTEM, THE FINAL TEST WILL BE MADE AT ITS TERMINATION AT THE CONTROLLER BY THE ENGINEER. ANY LOOP DETECTOR NOT MEETING THE REQUIREMENTS OF NOTE 8 SHALL BE REPLACED. THE FINAL TEST SHALL BE MADE PRIOR TO THE FINAL MAT OF A.C.P.
- THE LOOP LOCATION, CONFIGURATION AND THE NUMBER OF TURNS SHALL BE AS SHOWN ON THE PLANS OR AS DIRECTED BY THE ENGINEER.

RECOMMENDED NUMBER OF TURNS FOR LOOP DETECTORS

LOOP PERIMETER SIZE (FT.)	NUMBER OF TURNS	APPROXIMATE LOOP SIZES INCLUDED
24' or Less	3 or 4	5' x 5', 6' x 6'
25' - 110'	2 or 3	6' x 10', 6' x 45'
110' or More	1 or 2	6' x 50' or Longer

TYPICAL VIVDS DETAILS



POLE MOUNT

MAST ARM OR LUMINAIRE ARM

VIDEO DETECTION NOTES

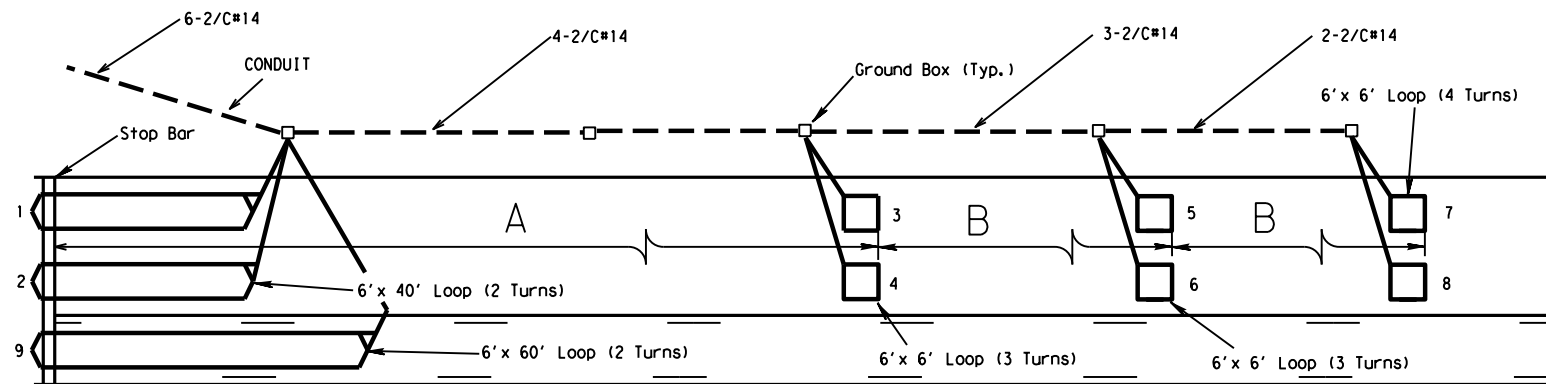
- VIDEO DETECTION PROCESSOR UNIT SHALL BE INSTALLED INSIDE CONTROLLER CABINET.
- VIDEO DETECTION CAMERA & BRACKET SHALL BE INSTALLED AS DETAILED OR AS DIRECTED BY THE ENGINEER.
- CAMERAS SHALL BE MOUNTED AS FAR OVER THE ROADWAY AS POSSIBLE.
- STAINLESS STEEL BANDS AND CAST BRACKETS AS IN "ASTRO-BRAC" SHALL BE USED TO INSTALL THE CAMERAS.
- WHEN AIMING CAMERA, HORIZON SHALL NOT BE VISIBLE IN THE FIELD OF VIEW.
- CAMERA ENCLOSURE ASSEMBLY SHALL BE ROTATABLE AFTER INSTALLATION TO PROVIDE PROPER ALIGNMENT.
- ALL CABLE ENTRY AND EXIT POINTS IN THE MAST ARM AND/OR POLES SHALL BE WATER TIGHT.
- APPLY SILICON DIELECTRIC COMPOUND INTO CONNECTORS AS APPROVED



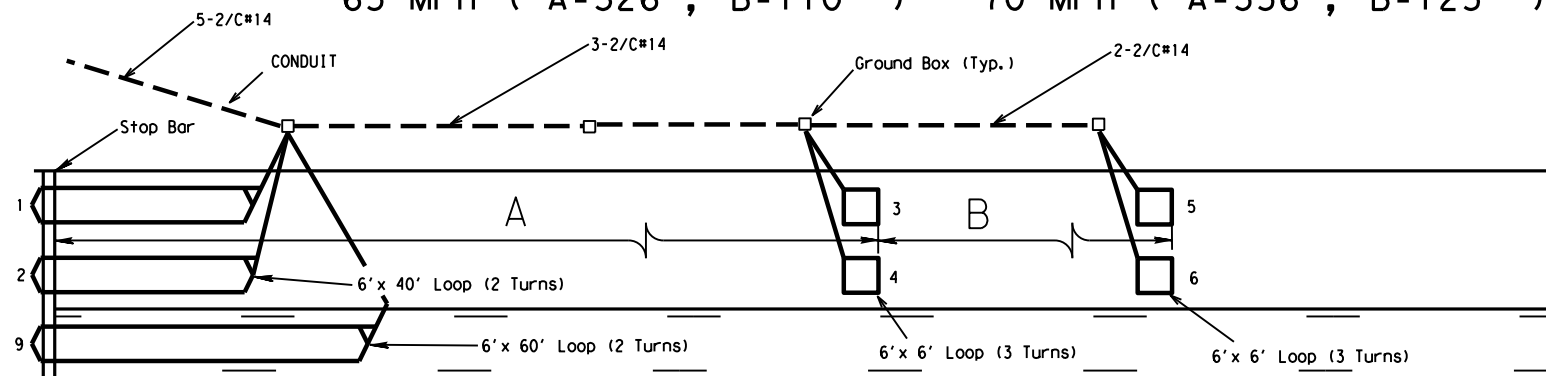
San Antonio District Standard
**VEHICLE DETECTOR
 INSTALLATION DETAILS**

SCALE: NS		VD(1)-06	
REVISIONS	FED. RD. DIV. NO.	FEDERAL AID PROJECT NO.	SHEET NO.
FEB 2006	6	SEE TITLE SHEET	60
OCT 2006	STATE	DIST.	COUNTY
	TEXAS	SAT	BEXAR
	CONT.	SECT.	JOB
	0915	00	253
			HIGHWAY NO.
			VARIOUS

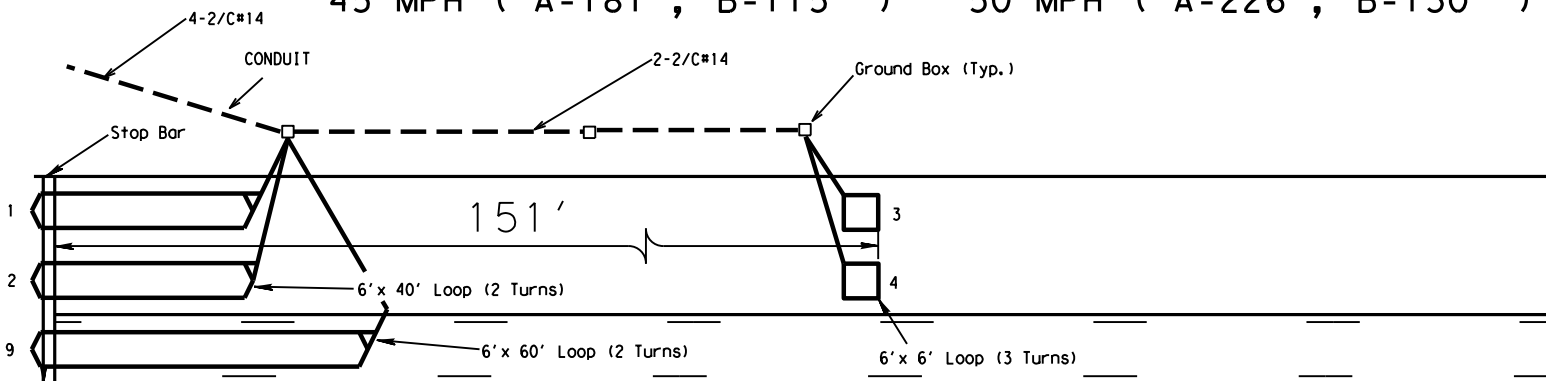
LOOP DETECTOR PLACEMENT DETAILS



55 MPH (A=231', B=95') 60 MPH (A=281', B=100')
 65 MPH (A=326', B=110') 70 MPH (A=356', B=125')

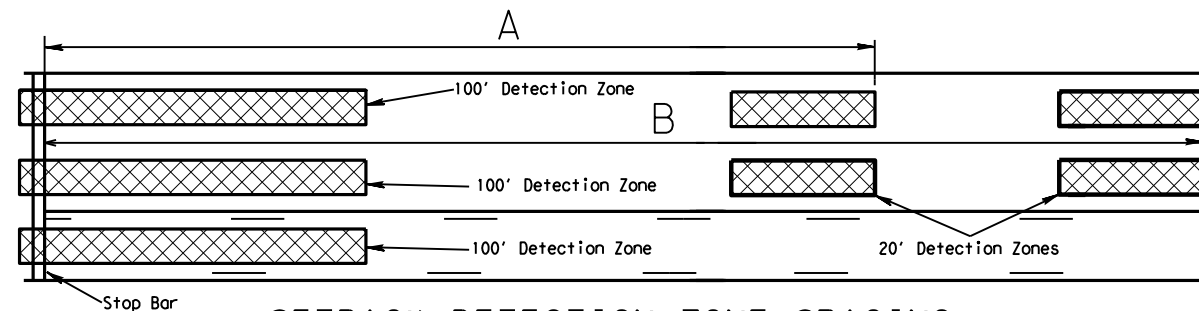


35 MPH (A=96', B=100') 40 MPH (A=116', B=130')
 45 MPH (A=181', B=115') 50 MPH (A=226', B=130')



30 MPH

VIDEO DETECTION PLACEMENT DETAILS



SETBACK DETECTION ZONE SPACING

(SPEEDS GREATER THAN OR EQUAL TO 45 MPH)

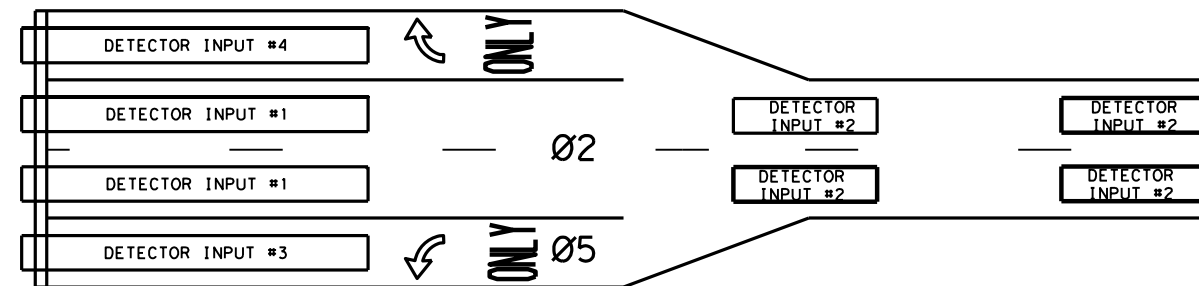
45 MPH (A=210', B=350')	50 MPH (A=235', B=390')
55 MPH (A=255', B=430')	60 MPH (A=280', B=470')
65 MPH (A=305', B=510')	70 MPH (A=330', B=550')

NOTE: SPEEDS EQUAL OR GREATER THAN 45 MPH WILL REQUIRE THE USE OF TWO VIVDS CAMERAS.

UTILIZATION OF CAMERA ONE FOR STOP BAR DETECTION AND CAMERA TWO FOR SET BACK DETECTION ZONES.

STOP BAR DETECTION ZONES SHALL BE PROVIDED FOR EACH LANE OF EACH APPROACH.

STOP BAR DETECTION AND SET BACK DETECTION SHOULD DRIVE A SEPARATE DETECTOR INPUT INTO THE CONTROLLER. IN ADDITION, DETECTORS IN EXCLUSIVE TURN LANES SHOULD DRIVE A SEPARATE DETECTOR INPUT INTO THE CONTROLLER. SEE TYPICAL LAYOUT BELOW.



DETECTOR INPUT #	PHASE
1	Ø2 STOP BAR
2	Ø2 SET BACK
3	Ø5 STOP BAR
4	Ø2 RT LANE

NOTE:
 ALL DETECTOR PLACEMENTS
 ARE BASED ON THE POSTED
 SPEED LIMIT

LOOP DETECTOR GENERAL NOTES (55 MPH TO 70 MPH):

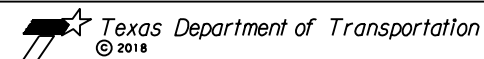
Loops 1 and 2 shall be connected to the controller cabinet by means of the same loop lead-in (2/C #14 AWG).
 Loops 3 and 4 shall be connected to the controller cabinet by means of the same loop lead-in (2/C #14 AWG).
 Loops 5 and 6 shall be connected to the controller cabinet by means of the same loop lead-in (2/C #14 AWG).
 Loops 7 and 8 shall be connected to the controller cabinet by means of individual loop lead-in (2/C #14 AWG).
 Loop 9 shall be connected to the controller cabinet by means of a loop lead-in (2/C #14 AWG). Loop 9 shall be placed only when a left turn lane exists.

LOOP DETECTOR GENERAL NOTES (35 MPH TO 50 MPH):

Loops 1 and 2 shall be connected to the controller cabinet by means of the same loop lead-in (2/C #14 AWG).
 Loops 3 and 4 shall be connected to the controller cabinet by means of the same loop lead-in (2/C #14 AWG).
 Loops 5 and 6 shall be connected to the controller cabinet by means of individual loop lead-in (2/C #14 AWG).
 Loop 9 shall be connected to the controller cabinet by means of a loop lead-in (2/C #14 AWG). Loop 9 shall be placed only when a left turn lane exists.

LOOP DETECTOR GENERAL NOTES (30 MPH):

Loops 1 and 2 shall be connected to the controller cabinet by means of the same loop lead-in (2/C #14 AWG).
 Loops 3 and 4 shall be connected to the controller cabinet by means of individual loop lead-in (2/C #14 AWG).
 Loop 9 shall be connected to the controller cabinet by means of a loop lead-in (2/C #14 AWG). Loop 9 shall be placed only when a left turn lane exists.



San Antonio District Standard
**VEHICLE DETECTOR
 PLACEMENT DETAILS**

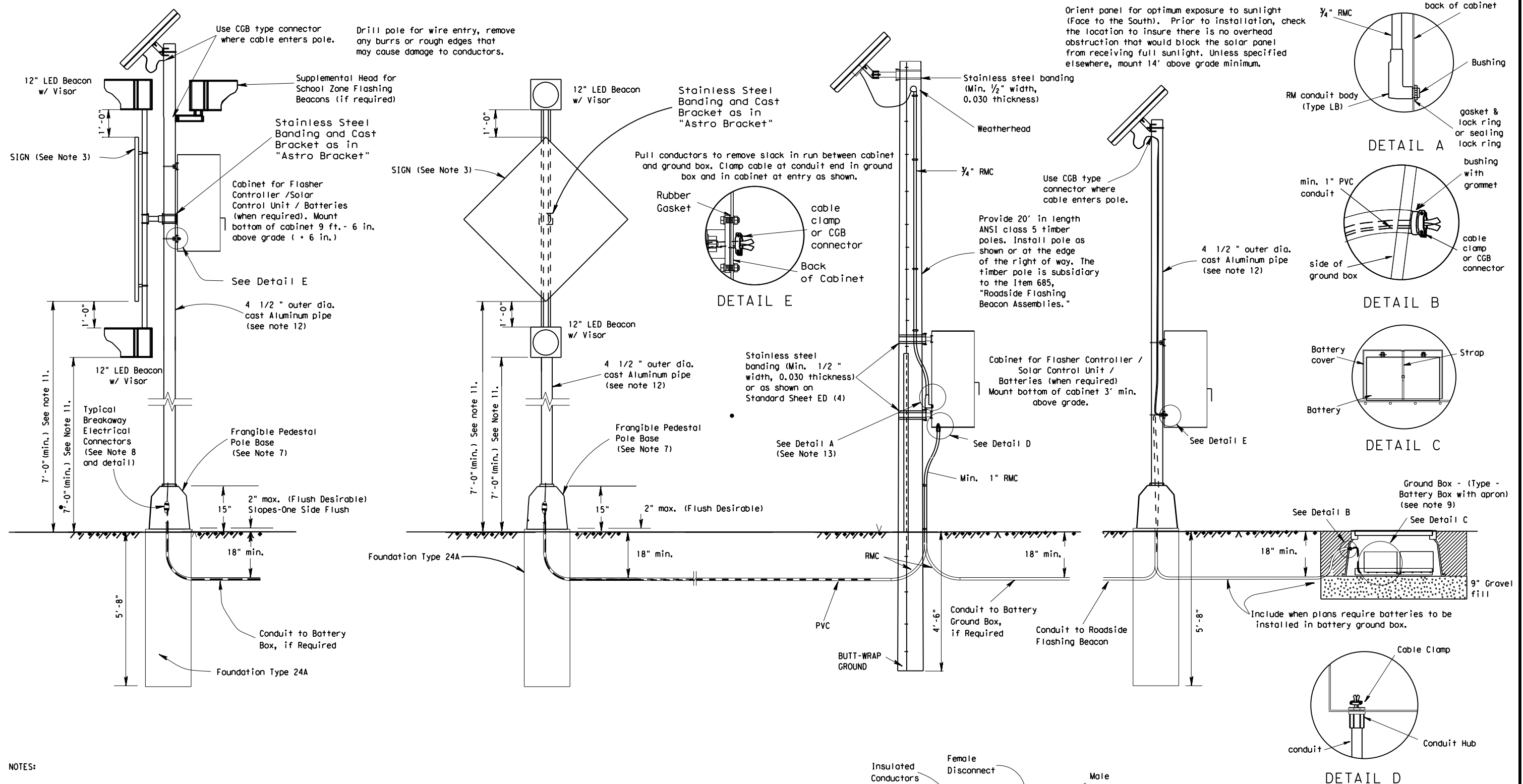
SCALE: NS		VD(2)-06	
REVISIONS	FED. RD. DIV. NO.	FEDERAL AID PROJECT NO.	SHEET NO.
FEB 2006	6	SEE TITLE SHEET	61
STATE	DIST.	COUNTY	
TEXAS	SAT	BEXAR	
CONT.	SECT.	JOB	HIGHWAY NO.
0915	00	253	VARIOUS

ACC: 1 2 3 4 5 6 7 8 9 10 11 12 13 14 15 16
 LEVELS DISPLAYED: 17 18 19 20 21 22 23 24 25 26 27 28 29 30 31 32
 33 34 35 36 37 38 39 40 41 42 43 44 45 46 47 48
 49 50 51 52 53 54 55 56 57 58 59 60 61 62 63

1:54:57 PM
 10/17/2022
 T:\Traffic\Design\District PS&E Tracking\Plan Review\Bexar\0915-00-253 (Districtwide Non-Site Specific Traffic Signals)\Ston

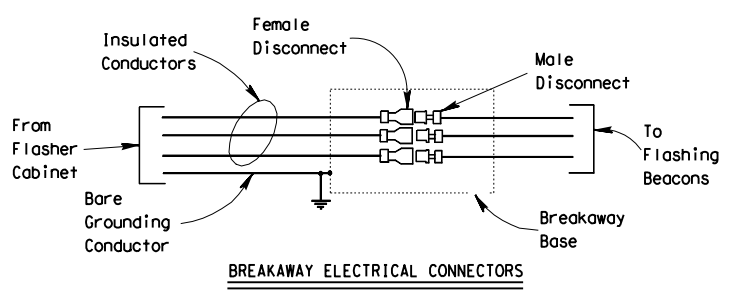
1:54:58 PM
10/17/2022
I:\Traffic\Design\District PS&E Tracking\Plan Review\Bexar\0915-00-253 (Districtwide Non-Site Specific Traffic Signals)\Standard

LEVELS DISPLAYED
ACC:
1 2 3 4 5 6 7 8 9 10 11 12 13 14 15 16
17 18 19 20 21 22 23 24 25 26 27 28 29 30 31 32
33 34 35 36 37 38 39 40 41 42 43 44 45 46 47 48
49 50 51 52 53 54 55 56 57 58 59 60 61 62 63



NOTES:

- Details show a typical warning sign with two flashing beacon heads, other arrangements are possible. When only one beacon is required, install the upper beacon.
- See Item 685, "Roadside Flashing Beacon Assemblies" for further requirements.
- See SMD standard sheets for lateral and vertical clearances and sign mounting details. Install signs as shown on the sign layout sheets.
- Use materials specifically designed for attaching cabinets, beacon heads, solar panels, etc., to poles.
- Install beacon heads as shown here, as shown elsewhere on the plans, or as directed. Use hardware specifically design for mounting beacon heads on poles.
- Conduit in foundation and within 6 in. of foundation is subsidiary to the Item 685, "Roadside Flashing Beacon Assemblies."
- Per manufacturer's recommendations, engage all threads on the pedestal pole base and pipe unless the pipe is fully seated into base. In high winds, use a pole and base collar assembly to add strength and prevent loosening on connection.
- Provide non-fused watertight breakaway electrical connectors for breakaway poles. (Bussmann HET, Littelfuse LET, Ferraz-Shawmut FEBN, or approved equal).
- Install the batteries in a Battery Box. Place the batteries on a 3/16" thick plastic sheet and connect together. Place a plastic cover (Battery Bell Jar) over the top of each battery and secure the battery bell jar to the battery with a strap. The batteries, bell jars, straps and 3/16" plastic sheet are subsidiary to the Item 685, "Roadside Flashing Beacon Assemblies." When required, install batteries in the flasher cabinet. Provide the number of batteries as required on the plans. Wire batteries according to manufacturer's recommendations.
- See standard sheet ED (13) for battery box details.
- Provide clearance as shown above the sidewalk or pavement grade at the edge of the road. When a bottom beacon is not used, mount the sign at least 7 ft. above the sidewalk or pavement grade at the edge of the road.
- Unless otherwise shown on the plans, pole shaft shall be one piece, schedule 40 Aluminum pipe, ASTM B429 or B221 (Alloy 6061-T6 only). Aluminum conduit will not develop the necessary strength and will not be allowed.
- Locate the Type LB conduit body attachment in the bottom third of the back of the cabinet.
- See Standard Sheets ED(1)- ED(4) and ED(13) for additional requirements regarding the installation of conduit, cabinets, battery ground boxes, and wood poles.



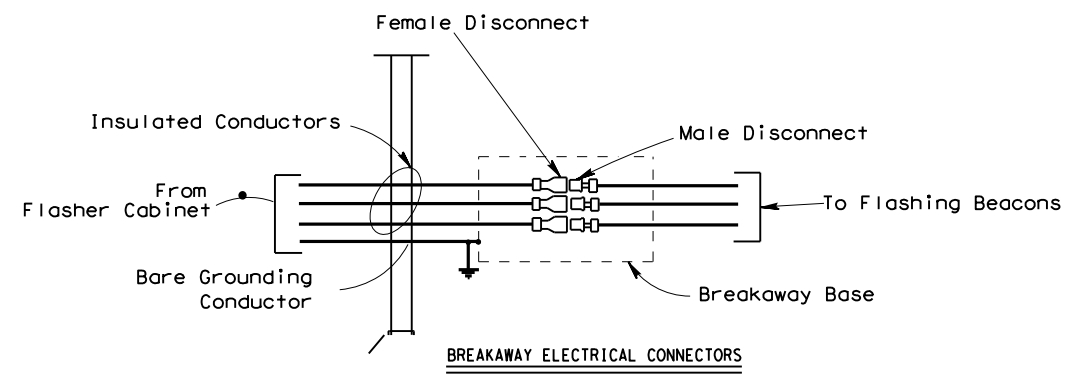
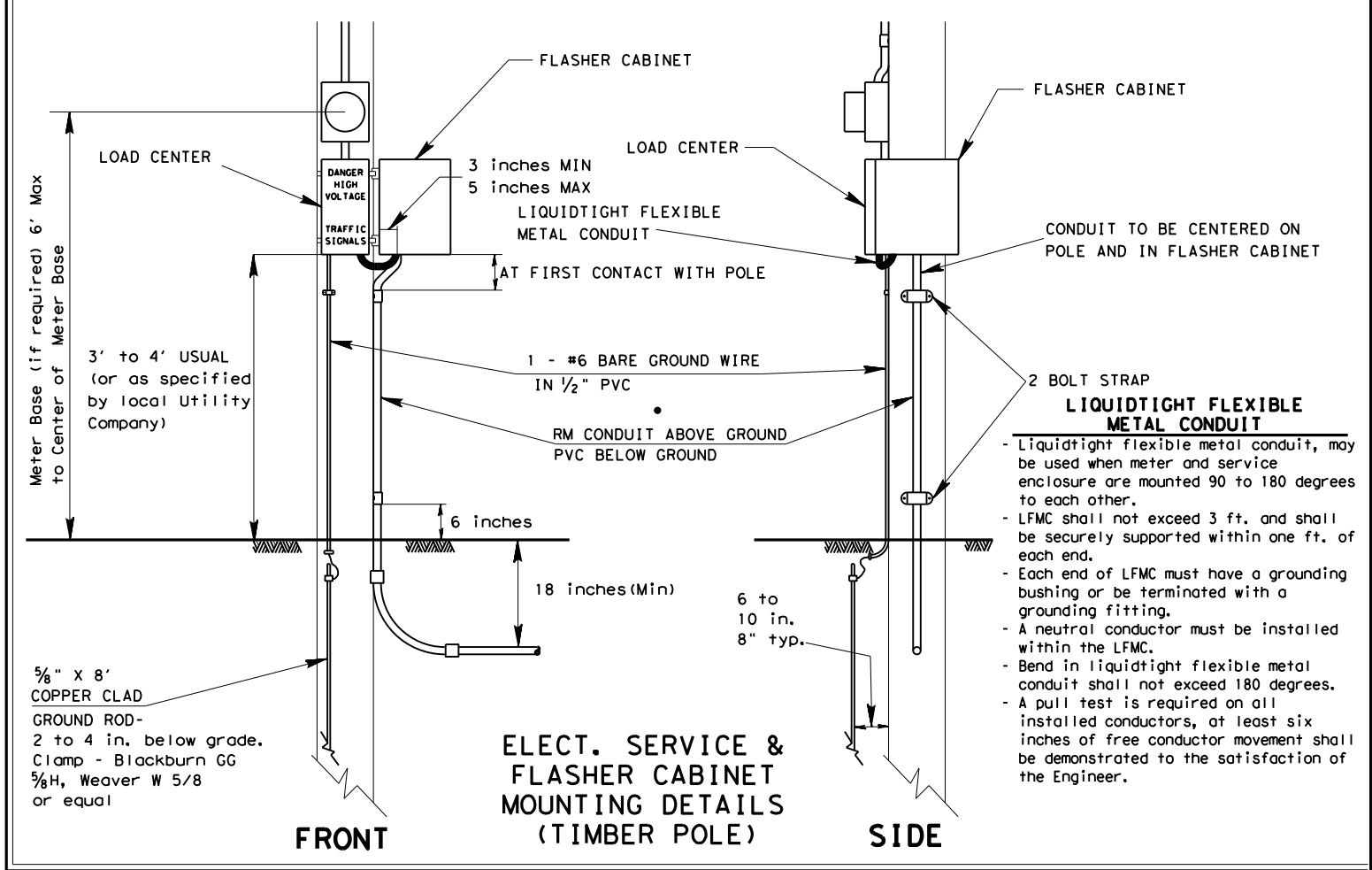
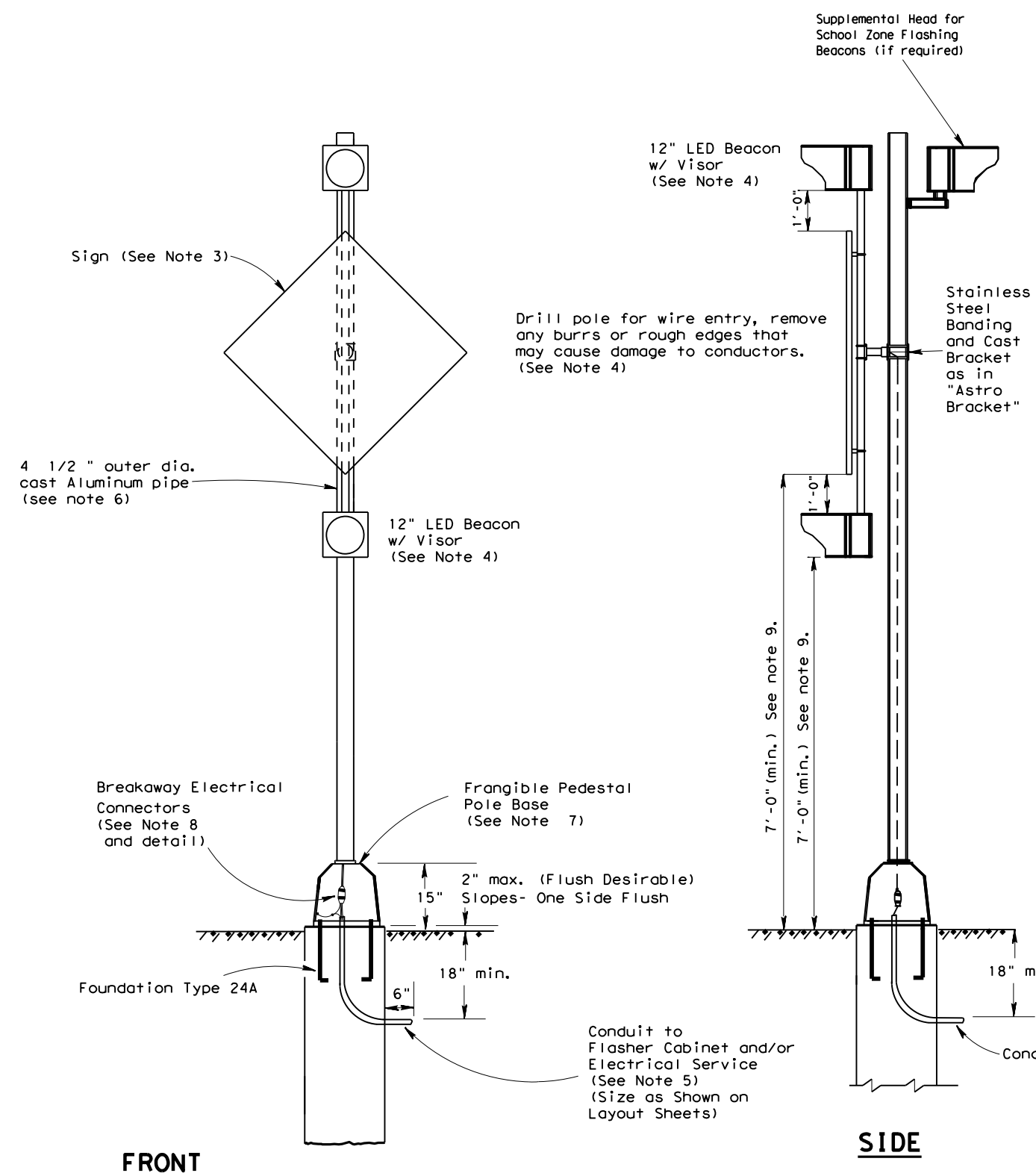
Texas Department of Transportation
© 2018

San Antonio District Standard
SOLAR POWERED ROADSIDE FLASHING BEACON ASSEMBLY DETAILS

SCALE: NS **SPRFB-07**

REVISIONS	FED. RD. DIV. NO.	FEDERAL AID PROJECT NO.	SHEET NO.
FEB 2006	6	SEE TITLE SHEET	62
OCT 2007			
	STATE	DIST.	COUNTY
	TEXAS	SAT	BEXAR
	CONT.	SECT.	JOB
	0915	00	253
			HIGHWAY NO.
			VARIOUS

1:54:58 PM
 10/17/2022
 T:\Traffic\Design\District PS&E Tracking\Plan Review\Bexar\0915-00-253 (Districtwide Non-Site Specific Traffic Signals)\Stran



- NOTES:
- Details show a typical warning sign with two flashing beacon heads, other arrangements are possible. When only one beacon is required, install the upper beacon.
 - See Item 685, "Roadside Flashing Beacon Assemblies" for further requirements.
 - See SMD standard sheets for lateral and vertical clearances and sign mounting details.
 - Install beacon heads as shown here, as shown elsewhere on the plans, or as directed. Use hardware specifically designed for mounting beacon heads on poles.
 - Conduit in foundation and within 6 in. of foundation is subsidiary to the Item 685, "Roadside Flashing Beacon Assemblies."
 - Pole shaft shall be one piece, schedule 40 Aluminum pipe, ASTM B429 or B221 (Alloy 6061-T6 only). Aluminum conduit will not develop the necessary strength and will not be allowed.
 - Per manufacturer's recommendations, engage all threads on the pedestal pole base and pipe unless the pipe is fully seated into base. In high winds, use a pole and base collar assembly to add strength and prevent loosening of connection.
 - Provide non-fused watertight breakaway electrical connectors for breakaway poles. (Bussmann HET, Littelfuse LET, Ferraz-Shawmut FEBN, or approved equal).
 - Provide clearance as shown above the sidewalk or pavement grade at the edge of the road. When a bottom beacon is not used, mount the sign at least 7 ft. above the sidewalk or pavement grade at the edge of the road.

Texas Department of Transportation
 © 2018

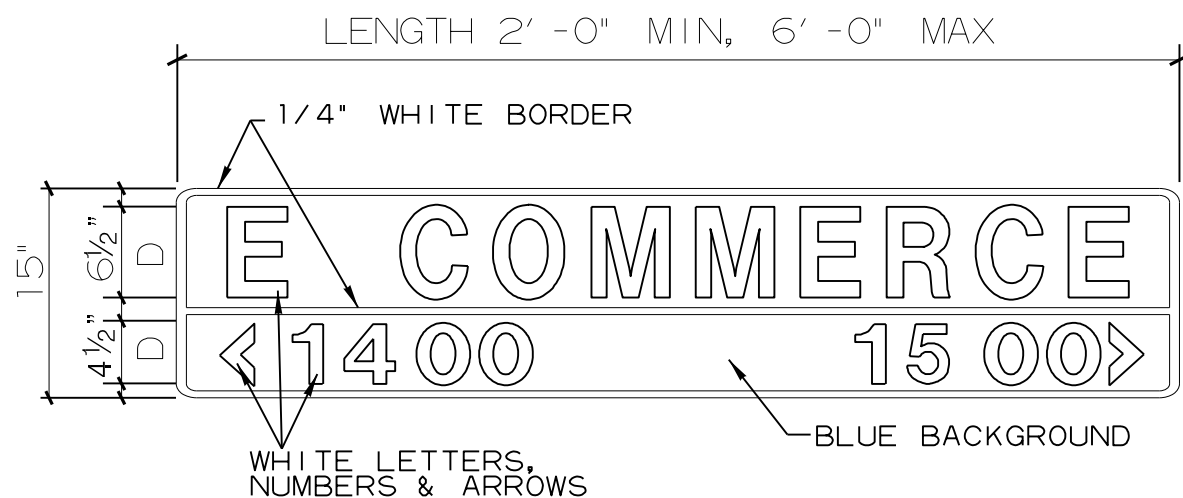
San Antonio District Standard
**ROADSIDE FLASHING
 BEACON ASSEMBLY**

SCALE: NS		RFBA-06	
REVISIONS	FED. RD. DIV. NO.	FEDERAL AID PROJECT NO.	SHEET NO.
FEB 2006	6	SEE TITLE SHEET	63
STATE	DIST.	COUNTY	
TEXAS	SAT	BEXAR	
CONT.	SECT.	JOB	HIGHWAY NO.
0915	00	253	VARIOUS

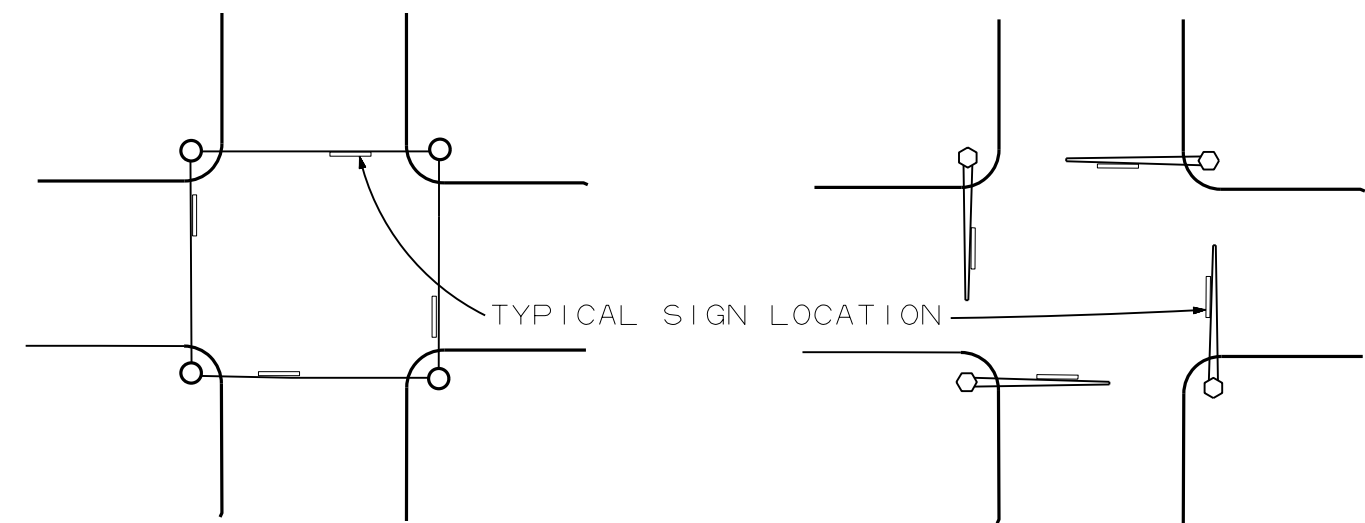
10/17/2022 T:\Traffic\Design\District PS&E Tracking\Plan Review\Bexar\0915-00-253 (Districtwide Non-Site Specific Traffic Signals)\Standards\COSA DETAILS.



9" GROUND MOUNT STREET NAME SIGNS



15" OVERHEAD STREET NAME SIGNS

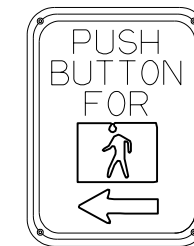


SPAN WIRE INSTALLATION

MAST ARM INSTALLATION



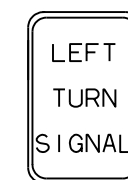
R10-4b(R)



R10-4b(L)

PEDESTRIAN PUSHBUTTON SIGNS

STREET NAME SIGNING



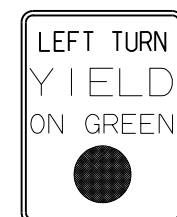
R10-10
*(30" X 36")



R3-5L
*(30" X 36")



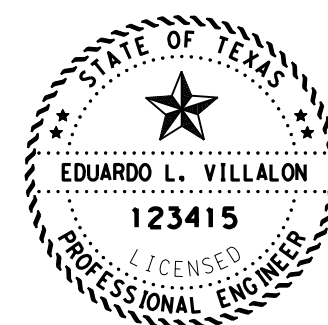
R10-9
*(30" X 24")



R10-12
*(30" X 36")

LEFT TURN SIGNS

	15" OVERHEAD SIGN	9" GROUND MOUNT SIGNS
HEIGHT	15" (381 mm)	9" (228 mm)
LENGTH	48" (1200 mm) MIN. 72" (1800 mm) MAX. 1' (300mm) INCREMENTS OF LENGTH	24" (600mm) MIN. 48" (1200mm) MAX. 6" (150mm) INCREMENTS OF LENGTH
THICKNESS	0.125" (3mm)	
SUBSTRATE	ALUMINUM ALLOY, 5052-H38 (ASTM B-209) GOLD CHROMATE FINISH	
SIGN FACE MATERIALS	BLUE FILM OVER TY III (HIGH INTENSITY) FP-85, SECTION 718 AND L-S-300C	BLUE FILM OVER TYII (ENGR. GRADE) FP-85, SECTION 718 AND L-S-300C
LEGENDS AND SYMBOLS	SERIES D (USUAL) SERIES C OR B FOR MAXIMUM LENGTH SIGN BLANK, IF NECESSARY	
COLOR	WHITE LEGEND ON BLUE BACKGROUND	
LETTER TRACKING	17% (USUAL) 10% (MIN.)	10%



Eduardo L. Villalon
EDUARDO L. VILLALON, P.E. 10/17/2022
DATE

* TY III HIGH INTENSITY SHEETING
5052-H38 ALUMINUM SUBSTRATE

THE ORIGINAL OF THIS DRAWING WAS SIGNED AND SEALED BY JAMES M. CLEMENTS, #80510 ON 10-15-99 AND IS ON FILE WITH THE ENGINEERING AND TRAFFIC DIVISION OF THE PUBLIC WORKS DEPARTMENT, CITY OF SAN ANTONIO.

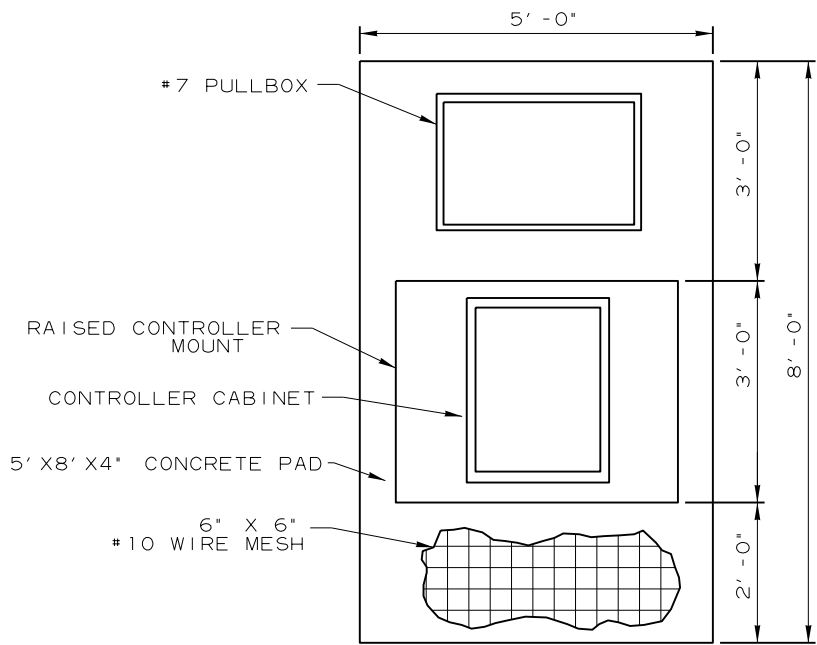
NO.	REVISION	BY	DATE
1	DETAIL D-3 SIGNS	JDF	9/28/99
2	CHANGE SIGNAL SIGN SIZE	JDF	10/15/99

CITY OF SAN ANTONIO, TEXAS
DEPARTMENT OF PUBLIC WORKS TRAFFIC DIVISION

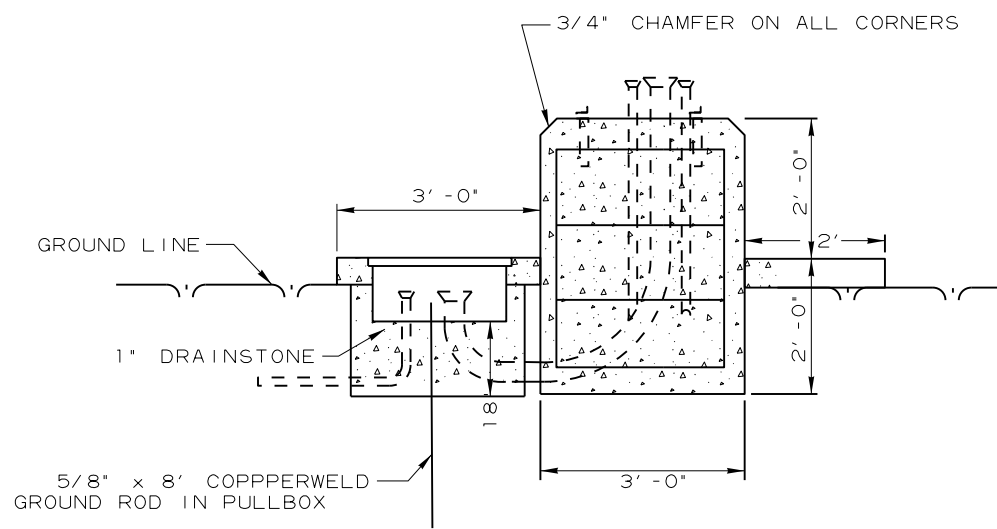
TRAFFIC SIGNAL DETAILS
SIGNAGE

FED. RD. DIV. NO.	PROJECT NO.	SHEET NO.	
6	SEE TITLE SHEET	64	
STATE	DIST.	COUNTY	
TEXAS	SAT	BEXAR	
CONT.	SECT.	JOB	HIGHWAY NO.
0915	00	253	VARIOUS

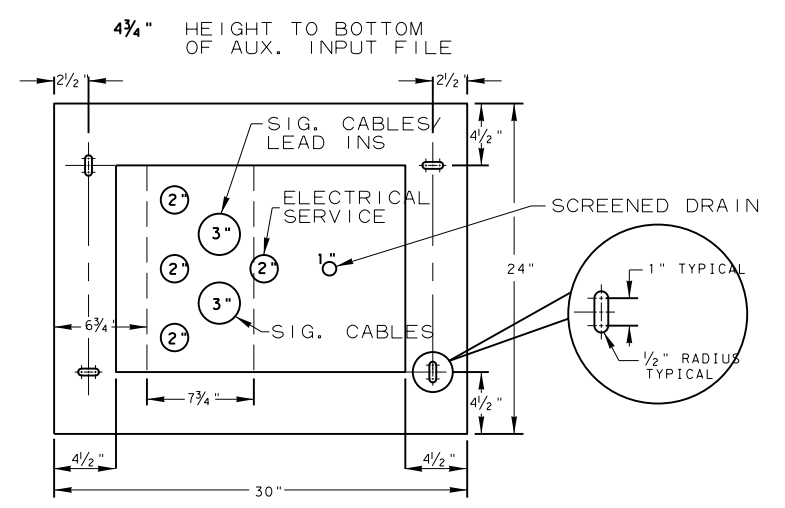
10/17/2022 T:\Traffic\Design\District PS&E Tracking\Plan Review\Bexar\0915-00-253 (Districtwide Non-Site Specific Traffic Signals)\Standards\COSA DETAILS.d



TOP VIEW

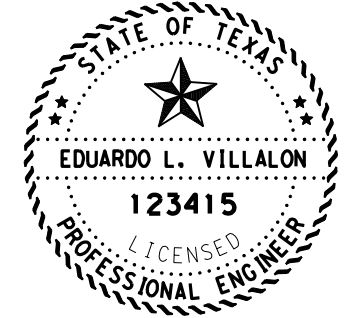
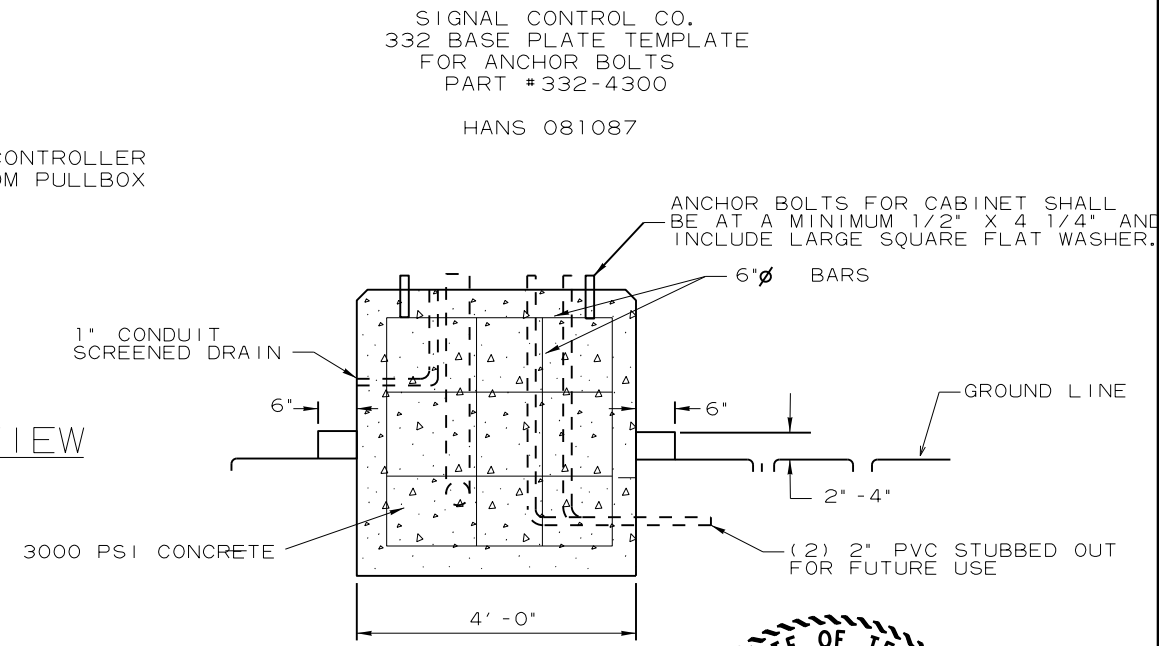


SIDE VIEW

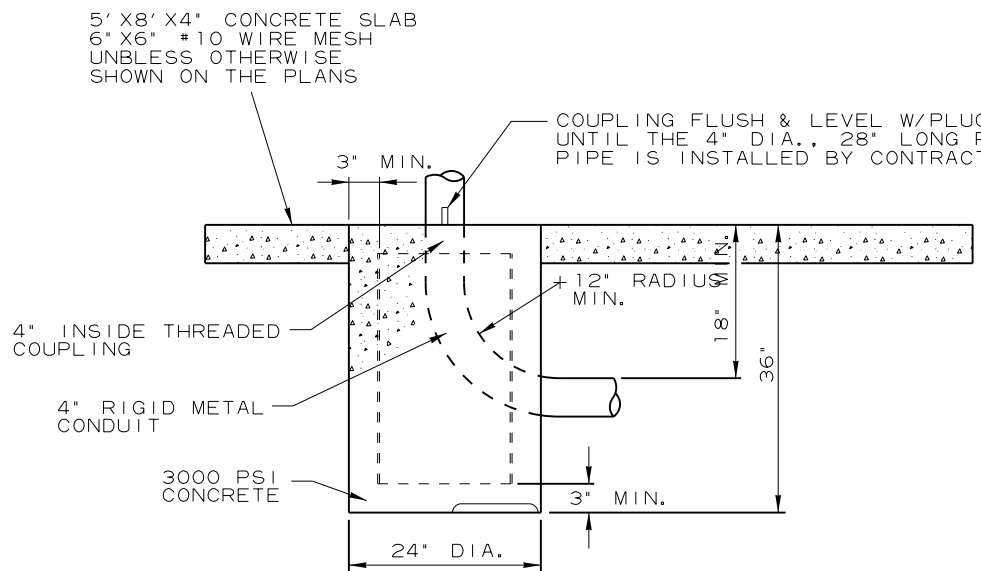


FRONT VIEW

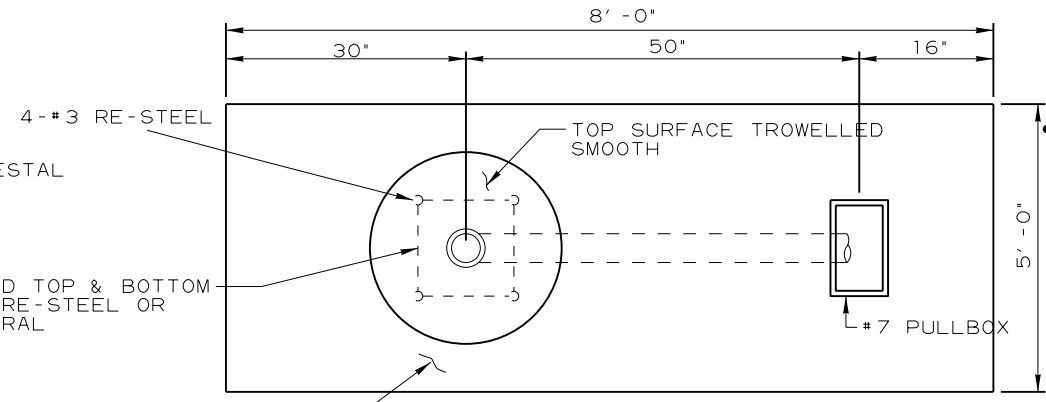
CONTROLLER FOUNDATION (TY332)



EDUARDO L. VILLALON, P.E. 10/17/2022 DATE



ELEVATION



TOP VIEW

CONCRETE PAD UNLESS OTHERWISE SHOWN ON THE PLAN

NOTE:
8' GROUND ROD PLACED IN NEAREST PULLBOX WITH GROUND WIRE TO CONTROLLER.

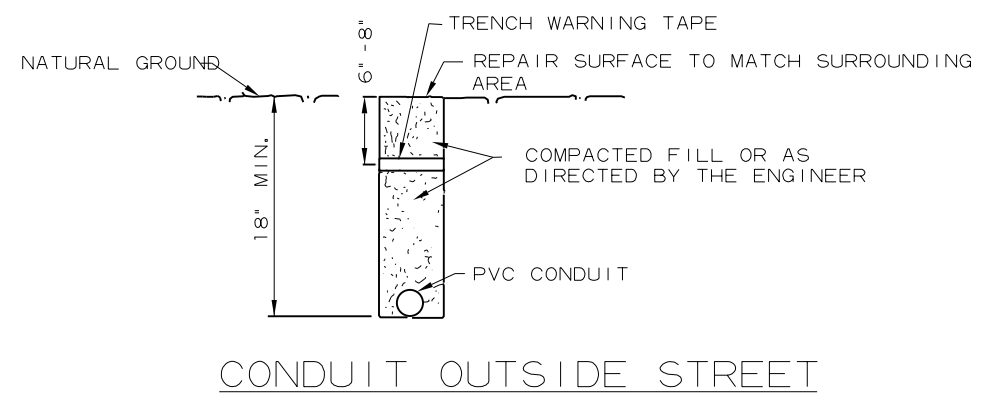
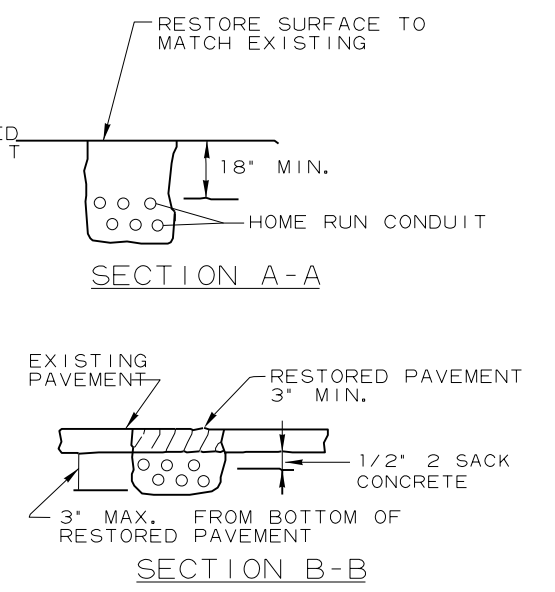
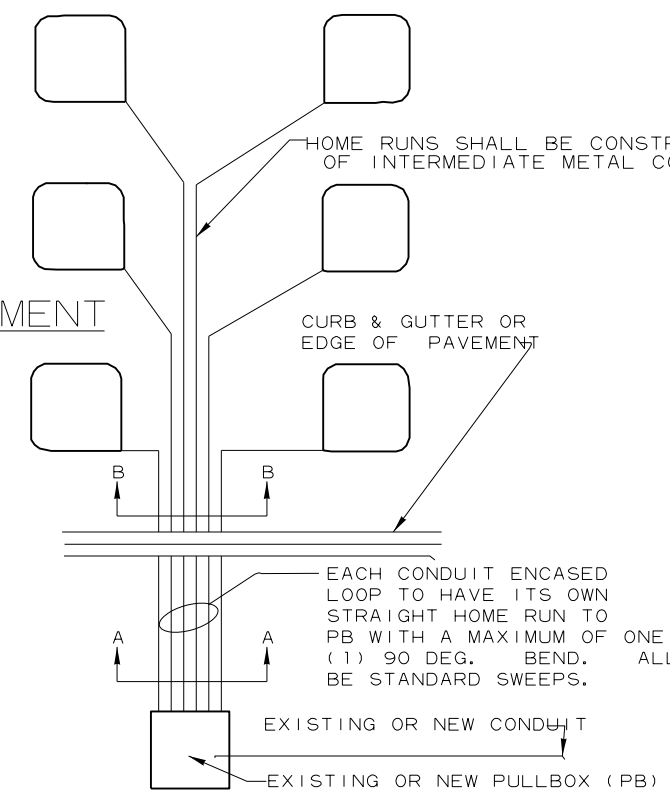
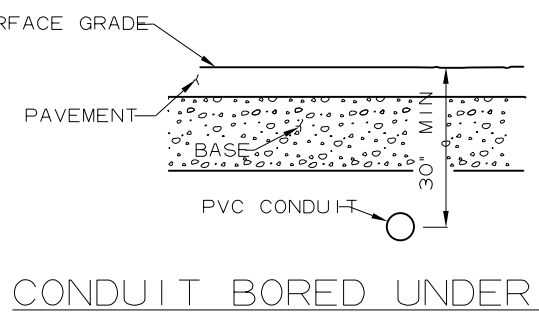
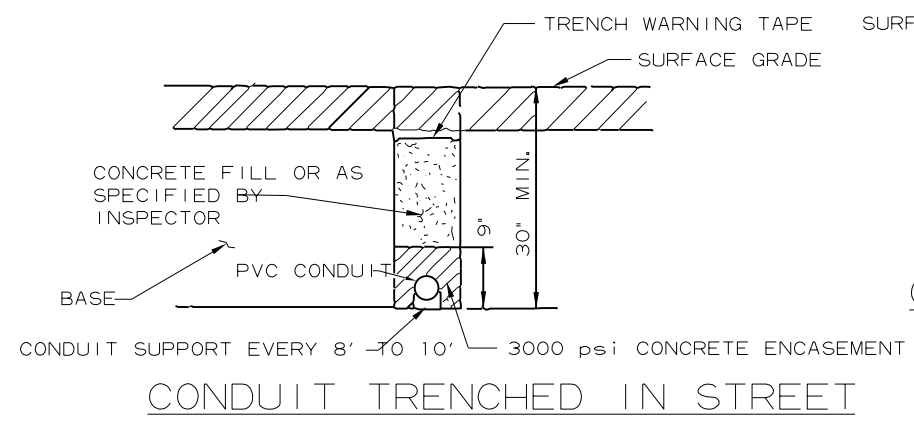
4" PIPE PEDESTAL CONTROLLER FOUNDATION (TY336)

CITY OF SAN ANTONIO, TEXAS
DEPARTMENT OF PUBLIC WORKS TRAFFIC DIVISION

TRAFFIC SIGNAL DETAILS
CONDUIT & FOUNDATIONS

FED. RD. DIV. NO.	PROJECT NO.	SHEET NO.
6	SEE TITLE SHEET	65
STATE	DIST.	COUNTY
TEXAS	SAT	BEXAR
CONT.	SECT.	JOB
0915	00	253
		HIGHWAY NO.
		VARIOUS

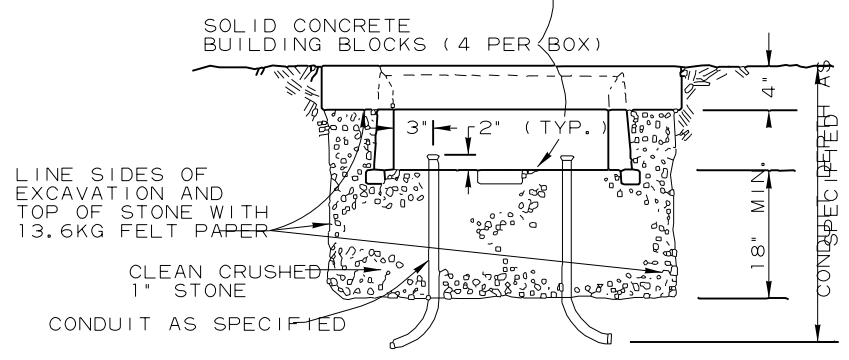
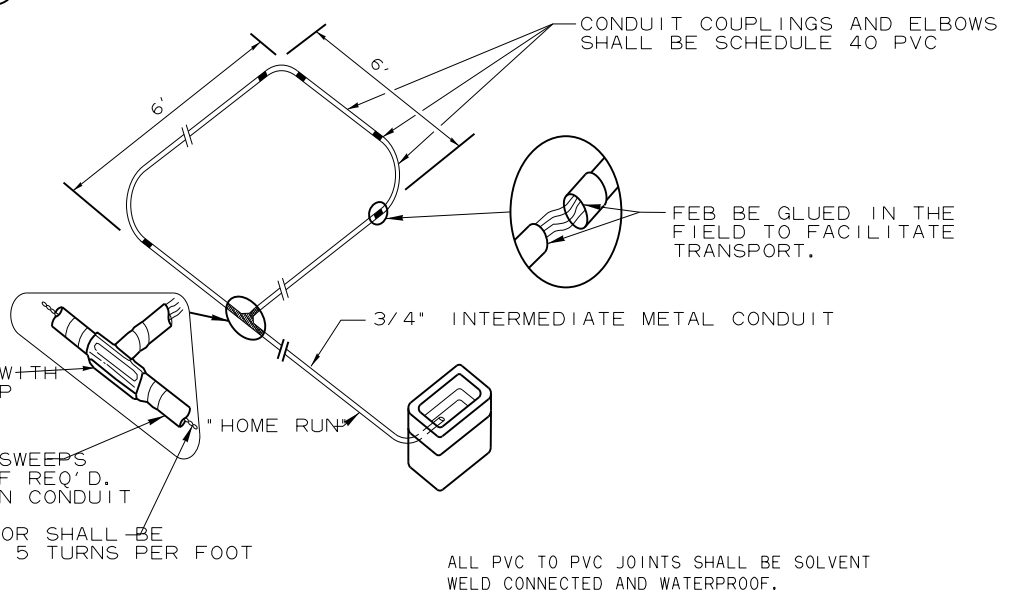
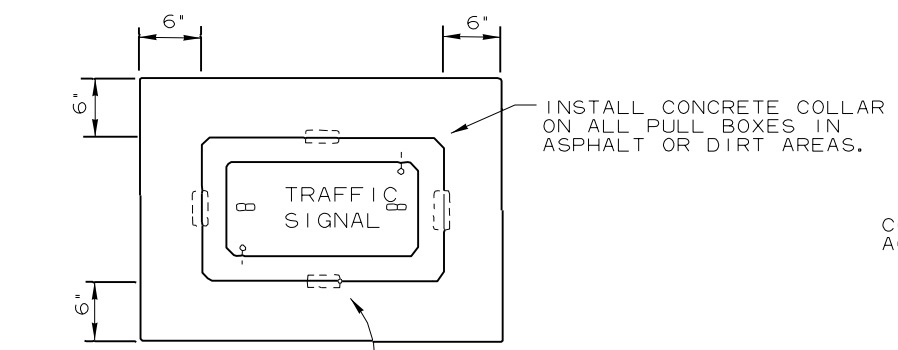
10/17/2022 T:\Traffic\Design\District PS&E Tracking\Plan Review\Bexar\0915-00-253 (Districtwide Non-Site Specific Traffic Signals)\Standards\COSA DETAILS.C



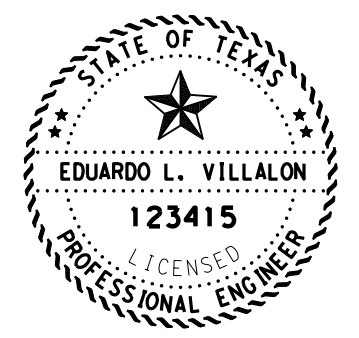
- LOOP NOTES**
- ALL CONNECTIONS BETWEEN THE LOOP WIRE AND SHIELDED LEAD-IN CABLE SHALL BE MADE AS FOLLOWS
- TIN THE WIRES WITH SOLDER.
 - MAKE A BUTT CONNECTION BETWEEN THE WIRES WITH A TINNED COPPER COMPRESSION FITTING.
 - JOIN THE WIRES AND FITTING WITH SOLDER IN A COMPLETE AND ACCEPTABLE MANNER.
 - TAPE THE CONNECTION WITH AN ACCEPTABLE ELECTRICAL TAPE.
 - SEAL THE CONNECTION IN A RE-ENTERABLE ENCAPSULATING SPLICE KIT.

CONDUIT DETAILS

CONDUIT ENCASED LOOP DETAILS



- CONTRACTOR SHALL INSTALL CONDUIT ENCASED LOOPS AT THE LOCATIONS SHOWN ON THE PLANS USING 3/4" DIAMETER PVC SCHEDULE 40 CONDUIT OR AT NO ADDITIONAL COST 1" DIAMETER PVC SCHEDULE 80 CONDUIT.
- LOOP LOCATIONS FEB BE STAGGERED SLIGHTLY (+/-6") TO ACCOMODATE HOME RUN PLACEMENT.
- INDIVIDUAL HOME RUN CONDUITS SHALL BE EXTENDED TO THE PULL BOX SHOWN ON THE PLANS FOR EACH LOOP INSTALLED.
- ALL LOOP AND HOME RUN CONDUIT SHALL BE PLACED IN COMPACTED SUBGRADE MATERIAL AT 4" TO 6" DEEP AND ALL ROCKS, PROTUSIONS OR IRREGULARITIES WHICH FEW DAMAGE, THE CONDUIT SHALL BE REMOVED.
- THE CONTRACTOR SHALL BE RESPONSIBLE TO DEVISE HIS OWN METHOD FOR EXCAVATING FOR LOOPS. ALL AREAS DISTURBED BY THE CONTRACTOR'S OPERATION SHALL BE RESTORED TO THEIR ORIGINAL CONDITION.
- ALL LOOPS SHALL BE WOUND FOUR TIMES IN A COUNTER CLOCKWISE DIRECTION.



Eduardo L. Villalon
EDUARDO L. VILLALON, P.E. 10/17/2022 DATE

CITY OF SAN ANTONIO, TEXAS			
DEPARTMENT OF PUBLIC WORKS TRAFFIC DIVISION			
TRAFFIC SIGNAL DETAILS			
PULLBOXES & ENCASED LOOPS			
FED. RD. DIV. NO.	PROJECT NO.	SHEET NO.	
6	SEE TITLE SHEET	66	
STATE	DIST.	COUNTY	
TEXAS	SAT	BEXAR	
CONT.	SECT.	JOB	HIGHWAY NO.
0915	00	253	VARIOUS

GENERAL NOTES FOR ALL ELECTRICAL WORK

- The location of all conduits, junction boxes, ground boxes, and electrical services is diagrammatic and may be shifted to accommodate field conditions.
- Provide new and unused materials. Ensure that all materials and installations comply with the applicable articles of the National Electrical Code (NEC), TxDOT standards and specifications, National Electrical Manufacturers Association (NEMA), and are listed by Underwriters Laboratories (UL) or a Nationally Recognized Testing Lab (NRTL). NRTLs such as Canadian Standard Association (CSA), Intertek Testing Services NA Inc., or FM Approvals LLC can be considered equivalent to UL. Where reference is made to NEMA listed devices, International Electrotechnical Commission (IEC) listed devices will not be considered acceptable equal to a NEMA listed device. Acceptable devices may have both a NEMA and IEC listing. Faulty fabrication or poor workmanship in any material, equipment, or installation is justification for rejection. Replace or reinstall rejected material or equipment at no additional cost to the Department.
- Miscellaneous nuts, bolts and hardware, except for high strength bolts, may be stainless steel when plans specify galvanized, provided the bolt size is 1/2 in. or less in diameter.
- Provide the following test equipment as required by the Engineer to confirm compliance with the contract and the NEC: voltmeter, ammeter, megohm meter (1000 volt DC), ground resistance tester, torque wrenches, and torque screwdrivers. Ensure all equipment has been properly calibrated within the last year. Provide calibration certification to the Engineer upon request. Operate test equipment during inspection as requested by the Engineer.
- Install grounding as shown on the plans and in accordance with the NEC. Ensure all metallic conduits; metal poles; luminaires; and metal enclosures are bonded to the equipment grounding conductor. Provide stranded bare copper or green insulated grounding conductors. Ground rods, connectors, and bonding jumpers are subsidiary to the various bid items.
- When required by the Engineer, notify the Department in writing of materials from the Material Producers List (MPL) intended for use on each project. Prequalified materials are listed on the MPL on TxDOT's website under "Roadway Illumination and Electrical Supplies." No substitutions will be allowed for materials on this list.

CONDUIT

A. MATERIALS

- Provide conduit, junction boxes, fittings, and hardware as per TxDOT Departmental Material Specification (DMS) 11030 "Conduit" and Item 618 "Conduit" of TxDOT's "Standard Specifications For Construction And Maintenance Of Highways, Streets, And Bridges," latest edition. Provide conduits listed under Item 618 on the MPL under "Roadway Illumination and Electrical Supplies." Provide conduit types according to the descriptive code or as shown on the plans. Do not substitute other types of conduits for those shown. Provide liquidtight flexible metal conduit (LFMC) when flexible conduit is called for on galvanized steel rigid metallic conduit (RMC) systems. Provide liquidtight flexible nonmetallic conduit (LFNC) when flexible conduit is called for on polyvinyl chloride (PVC) systems.
- Provide galvanized steel RMC for all exposed conduits, unless otherwise shown on the plans. Properly bond all metal conduits.
- Unless otherwise shown on the plans, provide junction boxes with a minimum size as shown in the following table, which applies to the greatest number of conductors entering the box through one conduit with no more than four conduits per box. When a mixture of conductor sizes is present, count the conductors as if all are of the larger size. For situations not applicable to the table, size junction boxes in accordance with NEC.

AWG	3 CONDUCTORS	5 CONDUCTORS	7 CONDUCTORS
#1	10" x 10" x 4"	12" x 12" x 4"	16" x 16" x 4"
#2	8" x 8" x 4"	10" x 10" x 4"	12" x 12" x 4"
#4	8" x 8" x 4"	10" x 10" x 4"	10" x 10" x 4"
#6	8" x 8" x 4"	8" x 8" x 4"	10" x 10" x 4"
#8	8" x 8" x 4"	8" x 8" x 4"	8" x 8" x 4"

- Junction boxes with an internal volume of less than 100 cu. in. and supported by entering raceways must have threaded entries or hubs identified for the intended purpose and supported by connection of two or more rigid metal conduits. Secure conduit within 3 ft. of the enclosure or within 18 in. of the enclosure if all conduit entries are on the same side. Mechanically secure all junction boxes with an internal volume greater than 100 cu. inches.
- Provide hot dipped galvanized cast iron or sand cast aluminum outlet boxes for junction boxes containing only 10 AWG or 12 AWG conductors. Do not use die cast aluminum boxes. Size outlet boxes according to the NEC.
- Do not use intermediate metal conduit (IMC) or electrical metallic tubing (EMT) unless specifically required by the plan sheets. When EMT is called for, provide junction boxes made from galvanized steel sheeting, listed and approved for outdoor use, unless otherwise noted on the plans. Size all galvanized steel junction boxes in accordance with the NEC. Provide junction boxes for IMC conduit systems that meet the same requirements for junction boxes used with RMC systems.
- Provide PVC junction boxes intended for outdoor use on PVC conduit systems, unless otherwise noted on the plans.



- Provide PVC elbows in PVC conduit systems, unless otherwise shown on the plans. Use only a flat, high tensile strength polyester fiber pull tape for pulling conductors through the PVC conduit system. When galvanized steel RMC elbows are specifically called for in the plans and any portion of the RMC elbow is buried less than 18 in., ground the RMC elbow by means of a grounding bushing on a rigid metal extension. Grounding of the rigid metal elbow is not required if the entire RMC elbow is encased in a minimum of 2 in. of concrete. PVC extensions are allowed on these concrete encased rigid metal elbows. RMC or PVC elbows are subsidiary to various bid items.
- When required, provide High-Density Polyethylene (HDPE) conduit with factory installed internal conductors according to Item 622 "Duct Cable." At the Contractor's request and with approval by the Engineer, substitute HDPE conduit with no conductors for bored schedule 40 or schedule 80 PVC conduit bid under Item 618. Ensure bored HDPE substituted for PVC is schedule 40 and of the same size PVC called for in the plans. Ensure the substituted HDPE meets the requirements of Item 622, except that the conduit is supplied without factory-installed conductors. Make the transition of the HDPE conduit to PVC (or RMC elbow when required) at the bore pit. Provide conduit of the size and schedule as shown on the plans. Do not extend substituted conduit into ground boxes or foundations. Provide PVC or galvanized steel RMC elbows as called for at all ground boxes and foundations.
- Use two-hole straps when supporting 2 in. and larger conduits. On electrical service poles, properly sized stainless steel or hot dipped galvanized one-hole standoff straps are allowed on the service riser conduit.

B. CONSTRUCTION METHODS

- Provide and install expansion joint conduit fittings on all structure-mounted conduits at the structure's expansion joints to allow for movement of the conduit. In addition, provide and install expansion joint fittings on all continuous runs of galvanized steel RMC conduit externally exposed on structures such as bridges at maximum intervals of 150 ft. When requested by the project Engineer, supply manufacturer's specification sheet for expansion joint conduit fittings. Repair or replace expansion joint fittings that do not allow for movement at no additional cost to the Department. Provide the method of determining the amount of expansion to the Engineer upon request. Do not use LFMC or LFNC as a substitute for the required expansion conduit fittings.
- Space all conduit supports at maximum intervals of 5 ft. Install conduit spacers when attaching metal conduit to surface of concrete structures. See "Conduit Mounting Options" on ED(2). Install conduit support within 3 ft. of all enclosures and conduit terminations.
- Do not attach conduit supports directly to pre-stressed concrete beams except as shown specifically in the plans or as approved by the Engineer.
- Unless otherwise shown on the plans, jack or bore conduit placed beneath existing roadways, driveways, sidewalks, or after the base or surfacing operation has begun. Backfill and compact the bore pits below the conduit per Item 476 "Jacking, Boring, or Tunneling Pipe or Box" prior to installing conduit or duct cable to prevent bending of the connections.
- When placing conduit in the sub-grade of new roadways, backfill all trenches with excavated material unless otherwise noted on the plans. When placing conduit in the sub-base of new roadways, backfill all trenches with cement-stabilized base as per requirements of Items 110 "Excavation", 400 "Excavation and Backfill for Structures", 401 "Flowable Backfill", 402 "Trench Excavation Protection", and 403 "Temporary Special Shoring."
- Provide and place warning tape approximately 10 in. above all trenched conduit as per Item 618.
- During construction, temporarily cap or plug open ends of all conduit and raceways immediately after installation to prevent entry of dirt, debris and animals. Temporary caps constructed of durable duct tape are allowed. Tightly fix the tape to the conduit opening. Clean out the conduit and prove it clear in accordance with Item 618 prior to installing any conductors.
- Ensure conduit entry into the top of any enclosure is waterproof by installing conduit sealing hubs or using boxes with threaded bosses. This includes surface mounted safety switches, meter cans, service enclosures, auxiliary enclosures and junction boxes. Grounding bushings on water tight sealing hubs are not required.
- Fit the ends of all PVC conduit terminations with bushings or bell end fittings. Provide and install a grounding type bushing on all metal conduit terminations.
- Install a bonding jumper from each grounding bushing to the nearest ground rod, grounding lug, or equipment grounding conductor. Ensure all bonding jumpers are the same size as the equipment grounding conductor. Bonding of conduit used as a casing under roadways for duct cable is not required, if the duct extends the full length through the casing.
- At all electrical services, install a 6 AWG solid copper grounding electrode conductor.
- Place conduits entering ground boxes so that the conduit openings are between 3 in. and 6 in. from the bottom of the box. See the ground box detail on sheet ED(4).
- Seal ends of all conduits with duct seal, expandable foam, or by other methods approved by the Engineer. Seal conduit immediately after completion of conductor installation and pull tests. Do not use duct tape as a permanent conduit sealant. Do not use silicone caulk as a conduit sealant.
- File smooth the cut ends of all mounting strut and conduit. Before installing, paint the field cut ends of all mounting strut and RMC (threaded or non-threaded) with zinc rich paint (94% or more zinc content) to alleviate overspray. Use zinc rich paint to touch up galvanized material as allowed under Item 445 "Galvanizing." Do not paint non-galvanized material with a zinc rich paint as an alternative for materials required to be galvanized.

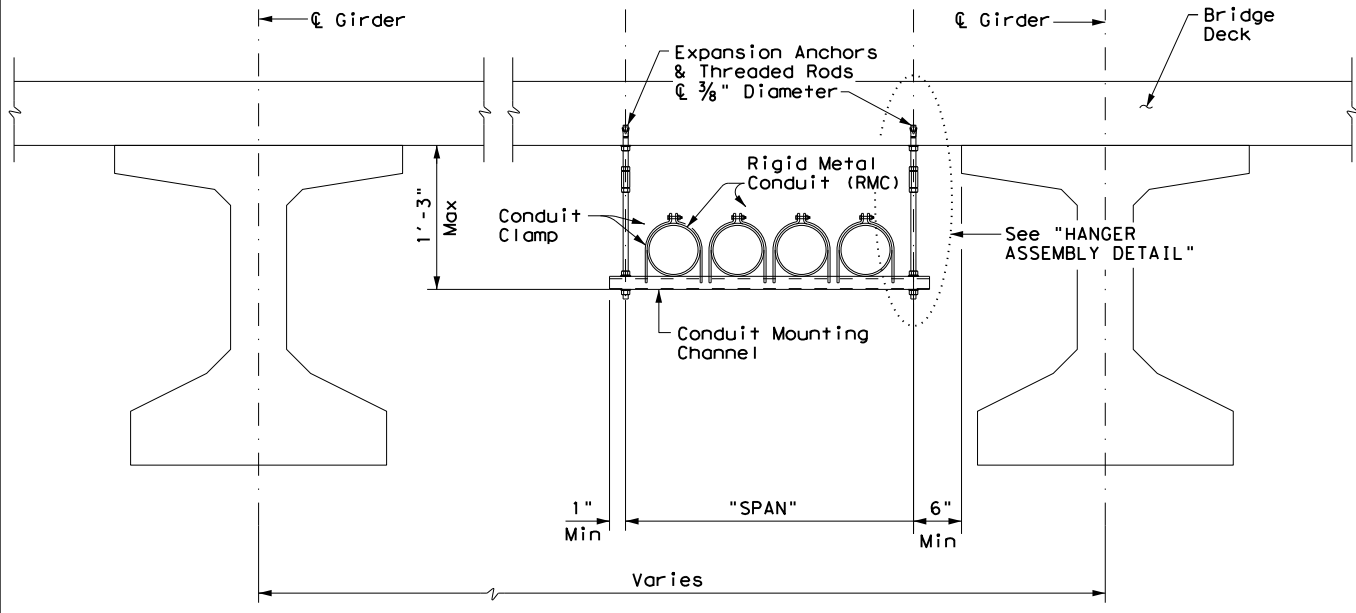
DISCLAIMER: The use of this standard is governed by the "Texas Engineering Practice Act". No warranty of any kind is made by TxDOT for any purpose whatsoever. TxDOT assumes no responsibility for the conversion of units or the use of the standard in any other manner than that intended by the original author.

DATE: 10/17/2022 1:54:59 PM
 FILE: I:\Traffic\Design\District PS&E Tracking\Plan_Review\Bexar\0915-00-255 ID: 15110001\0915-00-255.dgn

			
<h2>ELECTRICAL DETAILS CONDUITS & NOTES</h2>			
<h3>ED(1) - 14</h3>			
FILE:	ed1-14.dgn	DWG:	CK:
© TxDOT	October 2014	CONT	SECT
REVISIONS		0915	00
		JOB	HIGHWAY
		253	VARIOUS
		DIST	COUNTY
		SAT	BEXAR
		SHEET NO.	
		67	

DISCLAIMER: The use of this standard is governed by the "Texas Engineering Practice Act". No warranty of any kind is made by TxDOT for any purpose whatsoever. TxDOT assumes no responsibility for the conversion of units or for the accuracy of the information presented herein. The user of this standard shall be responsible for its proper application and for any consequences resulting from its use.

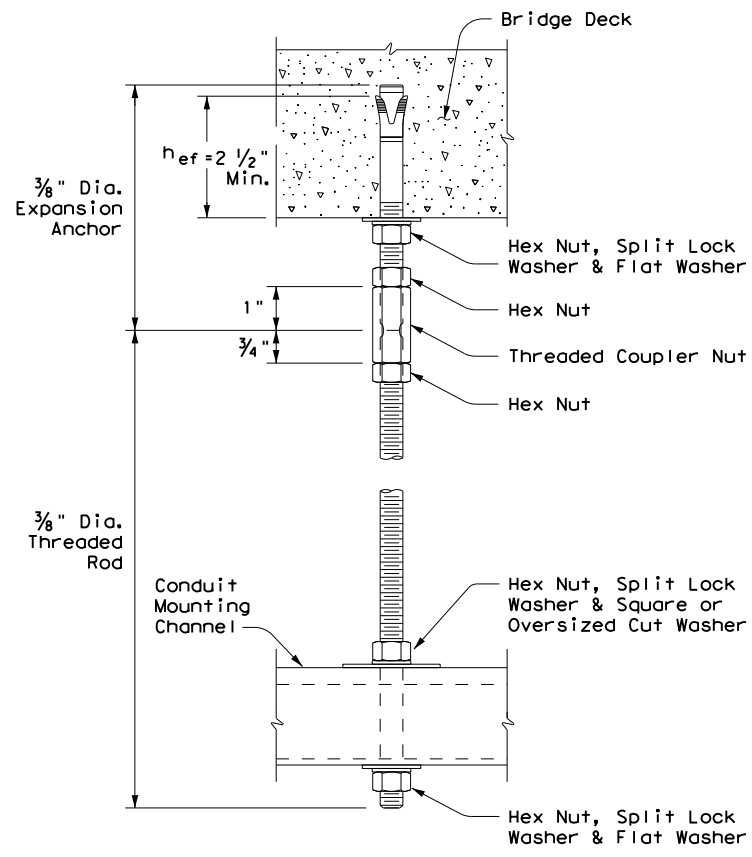
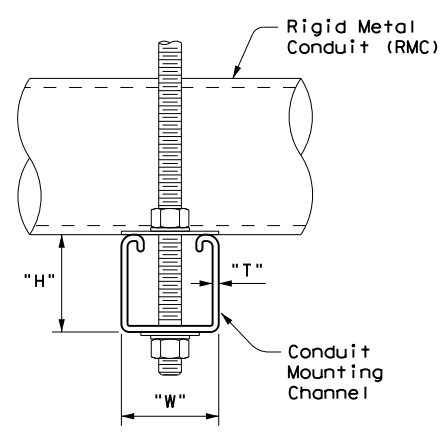
DATE: 10/17/2022 1:54:59 PM
 FILE: I:\Traffic\Design\District PS&E Tracking\Plan_Review\Bexar\0915-00-255 ID: 151444



CONDUIT HANGING DETAIL

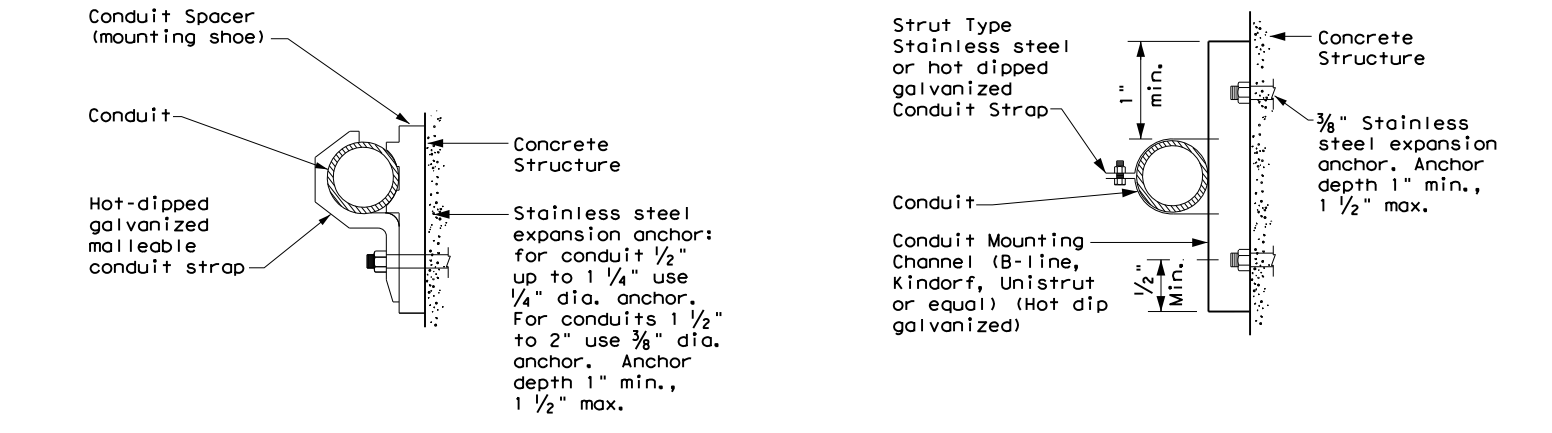
CONDUIT MOUNTING CHANNEL		
"SPAN"	"W" x "H"	"T"
less than 2'	1 5/8" x 1 3/8"	12 Ga.
2'-0" to 2'-6"	1 5/8" x 1 5/8"	12 Ga.
>2'-6" to 3'-0"	1 5/8" x 2 1/16"	12 Ga.

Channels with round or short slotted hole patterns are allowed, if the load carrying capacity is not reduced by more than 15%.



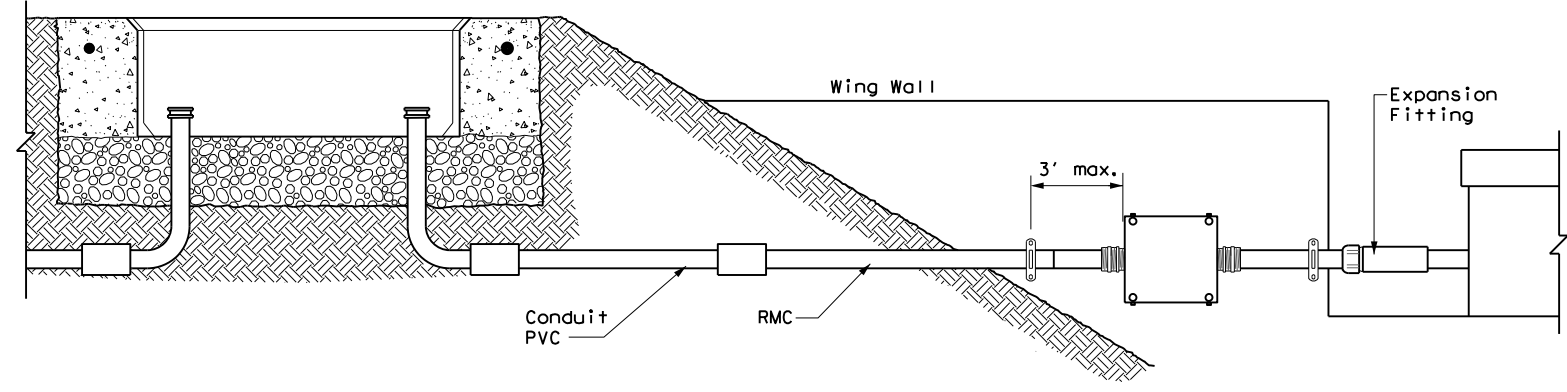
HANGER ASSEMBLY DETAIL

ELECTRIC CONDUIT TO BRIDGE DECK ATTACHMENT



CONDUIT MOUNTING OPTIONS

Attachment to concrete surfaces
 See ED(1)B.2



TYPICAL CONDUIT ENTRY TO BRIDGE STRUCTURE DETAIL

EXPANSION ANCHOR NOTES FOR BRIDGE DECK ATTACHMENT

1. Use torque controlled mechanical expansion anchors that are approved for use in cracked concrete by the International Code Council, Evaluation Service (ICC-ES). The chosen anchor product shall have a designated ICC-ES Evaluation Report number, and its approval status shall be maintained on the ICC-ES website under Division 031600 for Concrete Anchors.
2. Unless otherwise approved by the Engineer: do not use adhesive anchors; do not use expansion anchors that are not included in the ICC-ES approval list; and do not use expansion anchors that are only approved for use in uncracked concrete.
3. Use anchors manufactured with stainless steel expansion wedges. Anchors manufactured with carbon steel expansion wedges are not allowed. Anchor bodies can be either zinc-plated carbon steel or stainless steel. For application in marine environment, both the anchor body and expansion wedge shall be stainless steel.
4. Install anchors as shown on the plans and in accordance with the anchor manufacturer's published installation instructions. Arrange a field demonstration test to evaluate the procedures and tools. The test shall be witnessed and approved by the Engineer prior to furnishing anchors on the structure.
5. Prior to hole drilling, use rebar locator to ensure clearing of existing deck strands or reinforcement. Install anchors to ensure a minimum effective embedment depth, (h_{ef}), as shown. Increase (h_{ef}) as needed to ensure sufficient thread length for proper torquing and tightening of anchors.
6. Use anchors of minimum 1600 Lbs tensile capacity (minimum of steel, concrete breakout, and concrete pullout strengths as determined by ACI 318 Appendix D) at the required minimum embedment depth (h_{ef}). No lateral loads shall be introduced after conduit installation.

		Traffic Operations Division Standard	
<h2>ELECTRICAL DETAILS CONDUIT SUPPORTS</h2>			
<h3>ED(2) - 14</h3>			
FILE: ed2-14.dgn	DN: TxDOT	CK: TxDOT	DW: TxDOT
© TxDOT October 2014	CONT	SECT	JOB
REVISIONS	0915 00	253	VARIOUS
	DIST	COUNTY	SHEET NO.
	SAT	BEXAR	68

ELECTRICAL CONDUCTORS

A. MATERIAL INFORMATION

1. Provide Type XHHW insulated conductors in accordance with Departmental Material Specification (DMS) 11040 "Conductors" and Item 620 "Electrical Conductors." Provide conductors as listed on the Material Producers List (MPL) on the Department web site under "Roadway Illumination and Electrical Supplies" Item 620. Color code insulated conductors in conformance with the NEC. Identify grounded (neutral) conductors with white insulation. Identify grounding conductors (ground wires) with green insulation or bare conductors. Identify ungrounded (hot) conductors with any color insulation except green, white, or gray. Keep color scheme consistent throughout the wiring system. Identify conductors 6 American Wire Gauge (AWG) and smaller by continuous color jacket. Identify electrical conductors 4 AWG and larger by continuous color jacket or by colored tape. When identifying conductors with colored tape, mark at least 6 in. of the conductor's insulation with half laps of tape.
2. Provide a solid copper 6 AWG grounding electrode conductor to bond the electrical service equipment to the concrete encased grounding electrode or the ground rod at the service location. Connect the grounding electrode conductor to the ground rod with a UL listed connector in accordance with DMS 11040. Connect the grounding electrode conductor to the concrete encased grounding electrode as shown in the plans.
3. Where two or more circuits are present in one conduit or enclosure, permanently identify the conductors of each branch circuit by attaching a non-metallic tag around both circuit conductors at each accessible location. Provide tags with two straps, large enough to indicate circuit number, letter, or other identification as shown in the plans. Print circuit identification on the tag with a permanent marker.
4. Use listed compression or screw type pressure connectors, terminal blocks, or split bolt connectors for splicing as specified in DMS 11040. Use hot melt adhesive tape to fill the gap and seal the ends of heat shrink tubing. Provide UL listed gel-filled insulating splice covers. Splicing materials, insulating materials, breakaway disconnects, splice covers, and fuse holders are subsidiary to various bid items.

B. CONSTRUCTION METHODS

1. Use only a flat, high tensile strength polyester fiber pull tape for pulling conductors through the conduit system. After installing conductors in conduit, perform conductor pull test. If a conductor cannot be freely pulled, make any needed alterations or repairs at no additional cost to the department. Perform insulation resistance tests in accordance with Item 620. Coordinate with the Engineer to witness the tests.
2. Leave 2 ft. minimum, 3 ft. maximum length for each conductor up to the splice in ground boxes. Leave 3 ft. minimum, 4 ft. maximum length of conductor in ground boxes when pulled through with no splice. Leave 1 ft. minimum, 1.5 ft. maximum length of conductor at enclosures, weatherheads and pole bases.
3. Make splices only in junction boxes, ground boxes, pole bases, or electrical enclosures and use only listed compression or screw type pressure connectors, terminal blocks, or split bolt connectors. Insulate splices with heavy wall heat shrink tubing or gel-filled insulating splice covers to provide a watertight splice. Overlap conductor insulation with heat shrink tubing a minimum of 2 in. past both sides of the splice. Where heat shrink tubing may not shrink sufficiently to provide a watertight seal around the individual conductors, prior to heating the tubing, increase the diameter of the conductor insulation using hot melt adhesive tape to provide a watertight seal between the individual conductors and the heat shrink tubing. Ensure the tape extends past the heat shrink tubing. Use hot melt adhesive tape to fill the gap and seal the ends of heat shrink tubing. Heat shrink tubing that appears to have been burned, or overheated, is considered defective and must be replaced.
4. Size and install gel-filled insulating splice covers according to manufacturer's specifications when used in place of heat shrink tubing.
5. Wire nuts with factory applied waterproof sealant may be used for 8 AWG or smaller conductors in above ground junction boxes, but not in pole bases or ground boxes. Install wire nuts in an upright position to prevent the accumulation of water.
6. Support conductors in illumination poles with a J-hook at the top of the pole.
7. When terminating conductors, remove the insulation and jacketing material without nicking the individual strands of the conductor. Conductors with nicked individual conductor strands or removed strands will be considered damaged.
8. Replace conductors and cables that are damaged beyond repair or that fail an insulation resistance test at no additional cost to the department.
9. Do not repair damaged conductors with duct tape, electrical tape, or wire nuts. Use only approved splicing methods.
10. Do not terminate more than one conductor under a single connector, unless the connector is rated for multiple conductors. Do not exceed the pressure connector's listing for maximum number and size of conductors allowed.
11. Install breakaway connectors on conductors bid under Item 620 whenever those conductors pass through a breakaway support device. Follow manufacturer's instructions when terminating conductors to breakaway connectors. Properly torque threaded connections. Proper terminations are critical to the safe operation of breakaway devices. Trim waterproofing boots on breakaway connectors to fit snugly around the conductor to ensure waterproof connection. Only one conductor may enter a single opening in a boot. Provide waterproof boots with the correct number of openings. Leave unused openings factory sealed. Use prequalified breakaway connectors as shown on the MPL.

12. Provide and install a separate stranded equipment grounding conductor (EGC) in all conduits that contain circuit wiring of 50 volts or more. Unless shown elsewhere, size the EGC to be the same size as the largest current carrying conductor contained in the conduit. Ensure all EGCs are bonded together at every accessible location. For traffic signal installations, provide a minimum size 8 AWG EGC. The EGC is paid for under Item 620.

C. TEMPORARY WIRING

1. Install temporary conductors and electrical equipment in accordance with the NEC article "Temporary Installations" and Department standard sheets.
2. Provide a ground fault circuit interrupter (GFCI) for power outlets for portable electrical equipment, power tools, ice machines, ice storage bins and refrigerators located outdoors at grade. GFCI may be any one of the following: molded cord and plug set, receptacle, or circuit breaker type.
3. Use listed wire nuts with factory applied sealant for temporary wiring where approved.
4. Enclose conductor splices within a listed enclosure or ground box, or ensure the splices are more than 10 ft. above grade vertically and more than 5 ft. horizontally from any metal structure. Where installing temporary conductors in areas subject to vehicle traffic or mobile construction equipment, ensure the vertical clearance to ground is at least 18 ft. when measured at the lowest point. Ground messenger wires that support power conductors in conformance with the NEC.
5. Protect and when necessary repair any existing electrical conduits uncovered during the construction process in a timely manner and in conformance with the NEC.

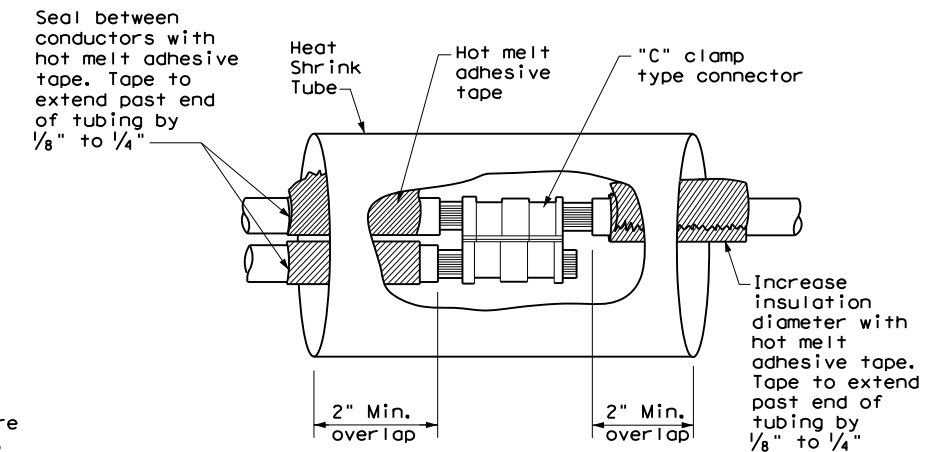
GROUND RODS & GROUNDING ELECTRODES

A. MATERIAL INFORMATION

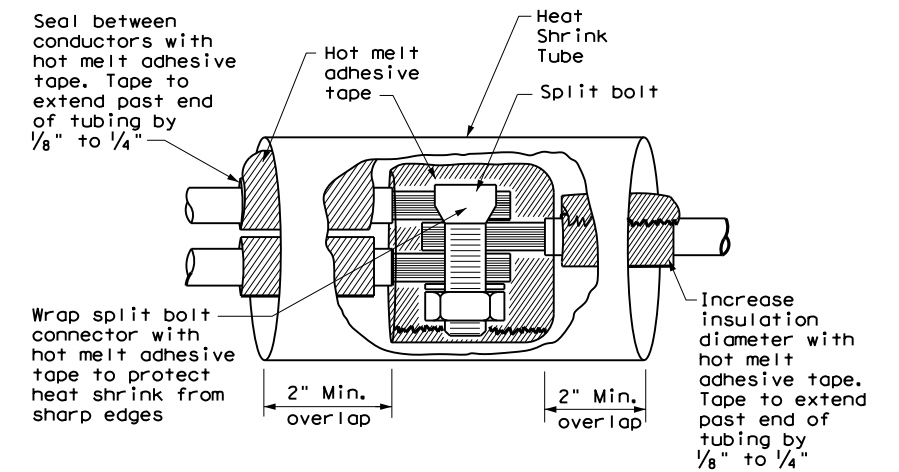
1. Provide and install a grounding electrode at electrical services. Provide ground rods according to DMS 11040 and the plans. Larger diameter or longer length rods may be called for in some specific locations, see the individual plans sheets. Concrete encased grounding electrodes may be called for in specific locations including electrical service, see individual plan sheets.

B. CONSTRUCTION METHODS

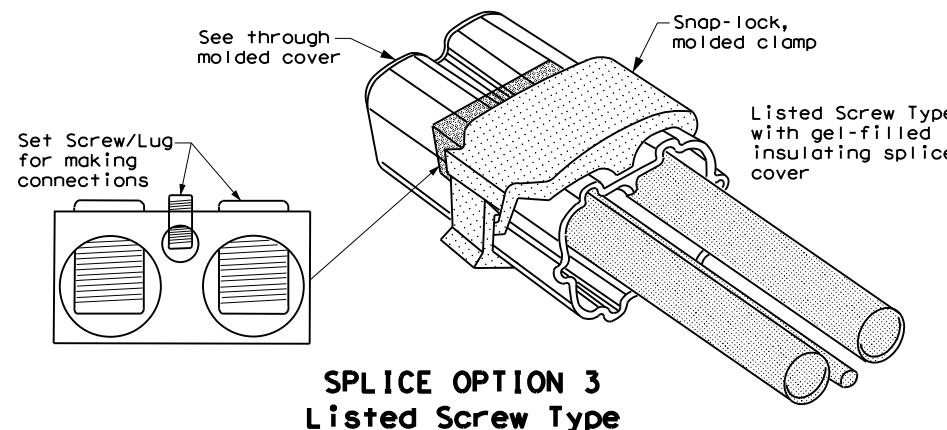
1. Furnish auxiliary ground rods for lightning protection and install in soil, concrete, or both, as called for in the plans. For ground rods installed in concrete, ensure the connection of the conductor to the ground rod is readily accessible for inspection or repairs. For ground rods installed in soil, ensure that the upper end is between 2 to 4 in. below finished grade.
2. Do not place ground rods in the same drilled hole as a timber pole.
3. Install ground rods so the imprinted part number is at the upper end of the rod.
4. Remove all non-conductive coatings such as concrete splatter from the rod at the clamp location.
5. Route all conductors as short and straight as possible for connection to lightning protection ground rods. When a bend is required, ensure a minimum radius bend of four inches for these conductors.
6. Unless otherwise called for in the plans, protect grounding electrode conductors with non-metallic conduit. When protecting grounding electrode conductors with metal conduit, provide and install a grounding type bushing and properly sized bonding jumper on each end of the metal conduit.
7. Written authorization is required before installing a ground rod in a horizontal trench for rocky soil or a solid rock bottom.



**SPLICE OPTION 1
Compression Type**



**SPLICE OPTION 2
Split Bolt Type**



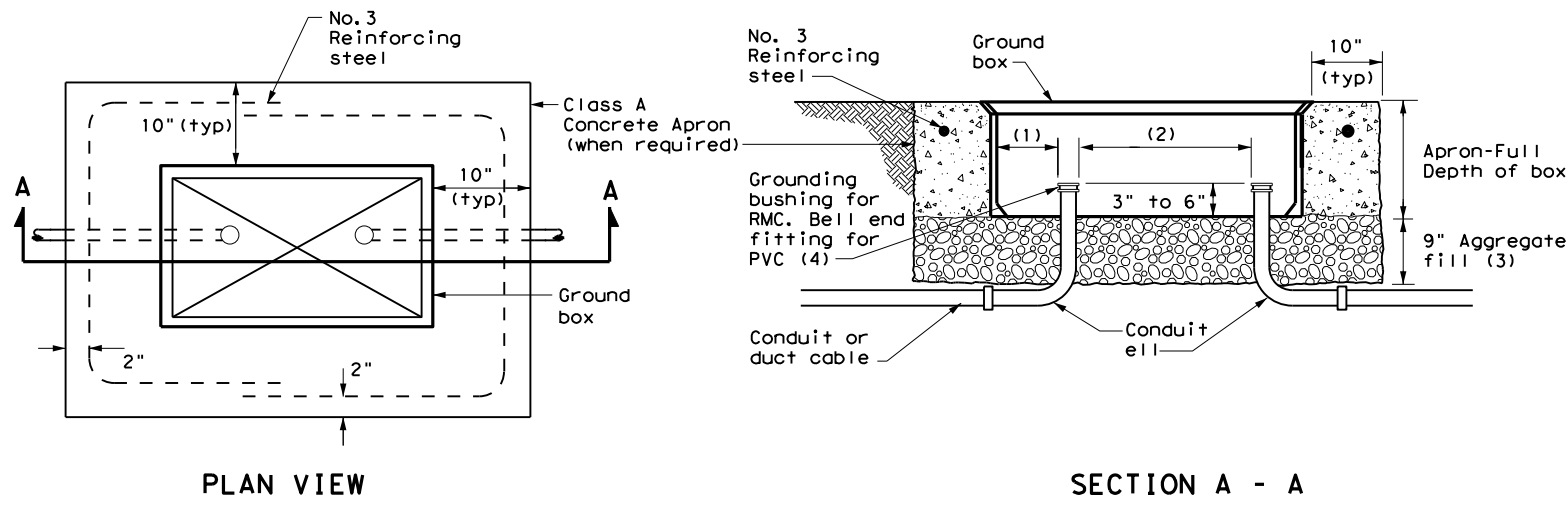
**SPLICE OPTION 3
Listed Screw Type**

DISCLAIMER: The use of this standard is governed by the "Texas Engineering Practice Act". No warranty of any kind is made by TxDOT for any purpose whatsoever. TxDOT assumes no responsibility for the conversion of units or the use of the information contained herein for any purpose other than that for which it was prepared.

DATE: 10/17/2022 1:55:00 PM
 FILE: I:\Traffic\Design\District PS&E Tracking\Plan Review\Bexar\0915-00-253 ID: 11111111

		Traffic Operations Division Standard	
<h1>ELECTRICAL DETAILS CONDUCTORS</h1>			
<h2>ED(3) - 14</h2>			
FILE:	ed3-14.dgn	DW:	TxDOT
© TxDOT	October 2014	CK:	TxDOT
REVISIONS	CONT	SECT	JOB
	0915	00	253
	DIST	COUNTY	SHEET NO.
	SAT	BEXAR	69

DATE: 10/17/2022 1:55:00 PM
 FILE: I:\Traffic\Design\District PS&E Tracking\Plan_Review\Bexar\0915-00-253 ID: 10/17/2022 1:55:00 PM
 The use of this standard is governed by the "Texas Engineering Practice Act". No warranty of any kind is made by TxDOT for any purpose whatsoever. TxDOT assumes no responsibility for the conversion of units or the accuracy of the information presented herein.

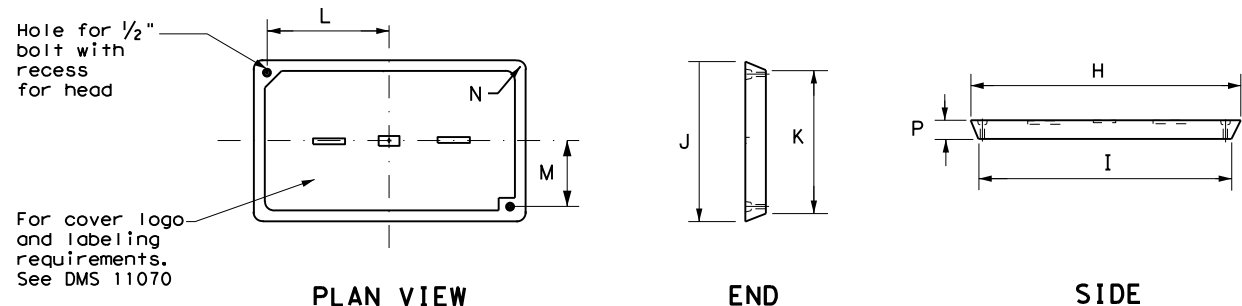


APRON FOR GROUND BOX

- (1) Uniformly space ends of conduits within the ground box. Position ends of conduits so that ground box walls do not interfere with the installation of grounding bushings or bell end fittings.
- (2) Maintain sufficient space between conduits to allow for proper installation of bushing.
- (3) Place aggregate under the box, not in the box. Aggregate should not encroach on the interior volume of the box.
- (4) Install a grounding bushing on the upper end of all RMC terminating in a ground box. Ground RMC elbows when any part of the elbow is less than 18 in. below the bottom of the ground box. Install a PVC bushing or bell end fitting on the upper end of all PVC conduits terminating in a ground box.

GROUND BOX DIMENSIONS	
TYPE	OUTSIDE DIMENSIONS (INCHES) (Width x Length X Depth)
A	12 X 23 X 11
B	12 X 23 X 22
C	16 X 29 X 11
D	16 X 29 X 22
E	12 X 23 X 17

GROUND BOX COVER DIMENSIONS								
TYPE	DIMENSIONS (INCHES)							
	H	I	J	K	L	M	N	P
A, B & E	23 1/4	23	13 3/4	13 1/2	9 7/8	5 1/8	1 3/8	2
C & D	30 1/2	30 1/4	17 1/2	17 1/4	13 1/4	6 3/4	1 3/8	2



GROUND BOX COVER

GROUND BOXES

A. MATERIALS

1. Provide polymer concrete ground boxes measuring 16x30x24 in. (WxLxD) or smaller in accordance with Departmental Material Specification (DMS) 11070 "Ground Boxes" and Item 624 "Ground Boxes."
2. Provide Type A, B, C, D, and E ground boxes as shown in the plans, and as listed on the Material Producers List (MPL) on the Department web site under "Roadway Illumination and Electrical Supplies," Item 624.

3. Ensure ground box cover is correctly labeled in accordance with DMS 11070.

4. Provide larger ground boxes in accordance with Item 624 and as shown in the plans.

B. CONSTRUCTION METHODS

1. Remove all gravel and dirt from conduit. Cap all conduits prior to placing aggregate and setting ground box. Provide Grade 3 or 4 coarse aggregate as shown on Table 2 of Item 302 "Aggregates for Surface Treatments." Ensure aggregate bed is in place and at least 9 inches deep, prior to setting the ground box. Install ground box on top of aggregate.
2. Cast ground box aprons in place. Reinforcing steel may be field bent. Ensure the depth of concrete for the apron extends from finished grade to the top of the aggregate bed under the box. Ground box aprons, including concrete and reinforcing steel, are subsidiary to ground boxes when called for by descriptive code.
3. Keep bolt holes in the box clear of dirt. Bolt covers down when not working in ground boxes.
4. Install all conduits and ells in a neat and workmanlike manner. Uniformly space conduits so grounding bushings and bell end fittings can easily be installed.
5. Temporarily seal all conduits in the ground box until conductors are installed.
6. Permanently seal conduits immediately after the completion of conductor installation and pull tests. Permanently seal the ends of all conduits with duct seal, expandable foam, or other method as approved. Do not use duct tape as a permanent conduit sealant. Do not use silicone caulk as a sealant.
7. When a ground rod is present in a ground box, bond all equipment grounding conductors together and to the ground rod with listed connectors.
8. When a type B or D ground box is stacked to meet volume requirements, it is allowable to cut an appropriately sized hole for conduit entry in the side wall at least 18 inches below grade.
9. If an existing ground box in the contract has a metal cover, bond the cover to the equipment grounding conductor with a 3 ft. long stranded bonding jumper the same size as the grounding conductor. The bonding jumper is subsidiary to various bid items. Verify existing ground boxes with metal covers are shown on the plans, with notes fully describing the work required.
10. If other ground boxes with metal covers are within the project limits but are not part of the contract, the Engineer may direct the Contractor to bond the metal covers, identifying the specific boxes in writing. This work will be paid for separately.
11. Bond metal ground box covers to the grounding conductor with a tank ground type lug.

				Traffic Operations Division Standard	
<h2>ELECTRICAL DETAILS</h2> <h3>GROUND BOXES</h3> <h4>ED(4) - 14</h4>					
FILE:	ed4-14.dgn	DN:	TxDOT	CK:	TxDOT
© TxDOT	October 2014	CONT	SECT	JOB	HIGHWAY
REVISIONS		0915	00	253	VARIOUS
DIST	COUNTY	SHEET NO.			
SAT	BEXAR	70			

ELECTRICAL SERVICES NOTES

1. Provide new materials. Ensure installation and materials comply with the applicable provisions of the National Electrical Code (NEC) and National Electrical Manufacturers Association (NEMA) standards. Ensure material is Underwriters Laboratories (UL) listed. Provide and install electrical service conduits, conductors, disconnects, contactors, circuit breaker panels, and branch circuit breakers as shown on the Electrical Service Data chart in the plans. Faulty fabrication or poor workmanship in material, equipment, or installation is justification for rejection. Where manufacturers provide warranties and guarantees as a customary trade practice, furnish these to the State.
2. Provide electrical services in accordance with Electrical Details standard sheets, Departmental Material Specification (DMS) 11080 "Electrical Services," DMS 11081 "Electrical Services-Type A," DMS 11082 "Electrical Services-Type C," DMS 11083 "Electrical Services-Type D," DMS 11084 "Electrical Services-Type T," DMS 11085 "Electrical Services-Pedestal (PS)", and Item 628 "Electrical Services" of the Standard Specifications. Provide electrical service types A, C, and D, as listed on the Material Producers List (MPL) on the Department web site under "Roadway Illumination and Electrical Supplies," Item 628. Provide other service types as detailed on the plans.
3. Provide all work, materials, services, and any incidentals needed to install a complete electrical service as specified in the plans.
4. Coordinate with the Engineer and the utility provider for metering and compliance with utility requirements. Primary line extensions, connection charges, meter charges, and other charges by the utility company to provide power to the location are paid for in accordance with Item 628. Get approval for the costs associated with these charges prior to engaging the utility company to do the work. Consult with the utility provider to determine costs and requirements, and coordinate the work as approved.
5. The enclosure manufacturer will provide Master Lock Type 2 with brass tumblers keyed #2195 for all custom electrical enclosures. Installing Contractor is to provide Master Lock #2195 Type 2 with brass tumblers for "off the shelf" enclosures. Master Lock #2195 keys and locks become property of the State. Unless otherwise approved, do not energize electrical service equipment until locks are installed.
6. Enclosures with external disconnects that de-energize all equipment inside the enclosure do not need a dead front trim. Protect incoming line terminations from incidental contact as required by the NEC.
7. When galvanized is specified for nuts, screws, bolts or miscellaneous hardware, stainless steel may be used.
8. Provide wiring and electrical components rated for 75°C. Provide red, black, and white colored XHHW service entrance conductors of minimum size 6 American Wire Gauge (AWG). Identify size 6 AWG conductors by continuous color jacket. Identify electrical conductors sized 4 AWG and larger by continuous color jacket or by colored tape. Mark at least 6 inches of the conductor's insulation with half laps of colored tape, when identifying conductors. Ensure each service entrance conductor exits through a separately bushed non-metallic opening in the weatherhead. The lengths of the conductors outside the weatherhead are to be 12 inches minimum, 18 inches maximum, or as required by utility.
9. All electrical service conduit and conductors attached to the electrical service including the riser or the elbow below ground are subsidiary to the electrical service. For an underground utility feed, all service conduit and conductors after the elbow, including service conduit and conductors for the utility pole riser when furnished by the Contractor, will be paid for separately.
10. Provide rigid metal conduit (RMC) for all conduits on service, except for the 1/2 in. PVC conduit containing the electrical service grounding electrode conductor. Size the service entrance conduit as shown in the plans. Ensure conduit for branch circuit entry to enclosure is the same size as that shown on the layout sheets for branch circuit conduit. Extend all rigid metal conduits a minimum of 6 inches underground and then couple to the type and schedule of the conduit shown on the layout for that particular branch circuit. Install a grounding bushing on the RMC where it terminates in the service enclosure.
11. Use of liquidtight flexible metal conduit (LFMC) is allowed between the meter and service enclosure when they are mounted 90 to 180 degrees to each other. Size the LFMC the same size as service entrance conduit. LFMC must not exceed 3 feet in length. Strap LFMC within 1 foot of each end. LFMC less than 12 inches in length need not be strapped. Each end of LFMC must have a grounding bushing or be terminated with a grounding fitting. The LFMC must contain a grounded (neutral) conductor. Ensure any bend in LFMC never exceeds 180 degrees. A pull test is required on all installed conductors, with at least six inches of free conductor movement demonstrated to the satisfaction of the Engineer.
12. Ensure all mounting hardware and installation details of services conform to utility company specifications.
13. For all electrical service enclosures listed under Item 628 on the MPL, the UL 508 enclosure manufacturers will prepare and submit a schematic drawing unique to each service. Before shipment to the job site, place the applicable laminated schematic drawings and the laminated plan sheet showing the electrical service data chart used to build the enclosure in the enclosure's data pocket. The installing contractor will copy and laminate the actual project plan sheets detailing all equipment and branch circuits supplied by that service. The laminated plan sheets are to be placed in the service enclosure's document pocket. Reduce 11 in. x 17 in. plan sheets to 8 1/2 in. x 11 in. before laminating. If the installation differs from the plan sheets, the installing contractor is to redline plan sheets before laminating.
14. When providing an "Off The Shelf" Type D or Type T service, provide laminated plan sheets detailing equipment and branch circuits supplied by that service. Reduce 11 in. x 17 in. plan sheets to 8 1/2 in. x 11 in. before laminating. Deliver these drawings before completion of the work to the Engineer, instead of placing in enclosure that has no door pocket.
15. Do not install conduit in the back wall of a service enclosure where it would penetrate the equipment mounting panel inside the enclosure. Provide grounding bushings on all metal conduits, and terminate bonding jumpers to grounding bus. Grounding bushings are not required when the end of the metal conduit is fitted with a conduit sealing hub or threaded boss, such as a meter base hub.

SERVICE ASSEMBLY ENCLOSURE

1. Provide threaded hub for all conduit entries into the top of enclosure.
2. Type galvanized steel (GS) enclosures may be used for Type C panelboards and for Type D and T services that do not use an enclosure mounted photocell or lighting contactor. Provide GS enclosures in accordance with DMS 11080, 11082, 11083, and 11084.
3. Provide aluminum (AL) and stainless steel (SS) enclosures for Types A, C, and D in accordance with DMS 11080, 11081, 11082, 11083, and 11084. Do not paint stainless steel.
4. Provide pedestal service (PS) enclosures in accordance with ED(9) and DMS 11080 and 11085. Do not provide GS pedestal services. If GS is shown in the PS descriptive code, provide an AL enclosure.

MAIN DISCONNECT & BRANCH CIRCUIT BREAKERS

1. Field drill flange-mounted remote operator handle if needed, to ensure handle is lockable in both the "On" and "Off" positions.
2. When the utility company provides a transformer larger than 50 KVA, verify that the available fault current is less than the circuit breaker's ampere interrupting capacity (AIC) rating and provide documentation from the electric utility provider to the Engineer.

PHOTOELECTRIC CONTROL

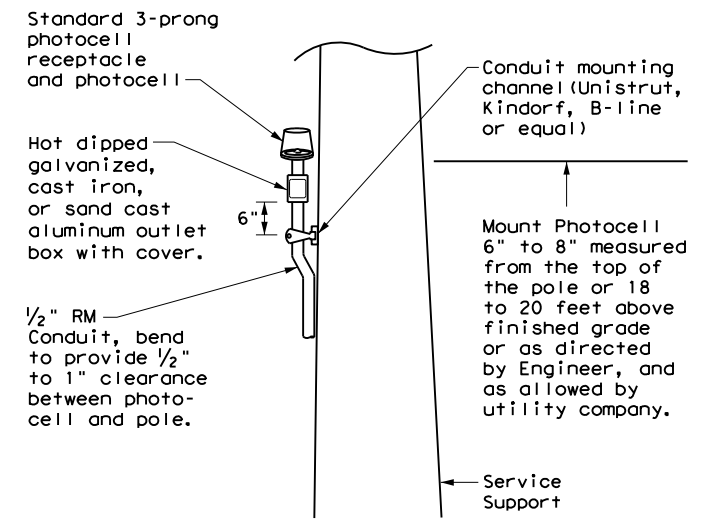
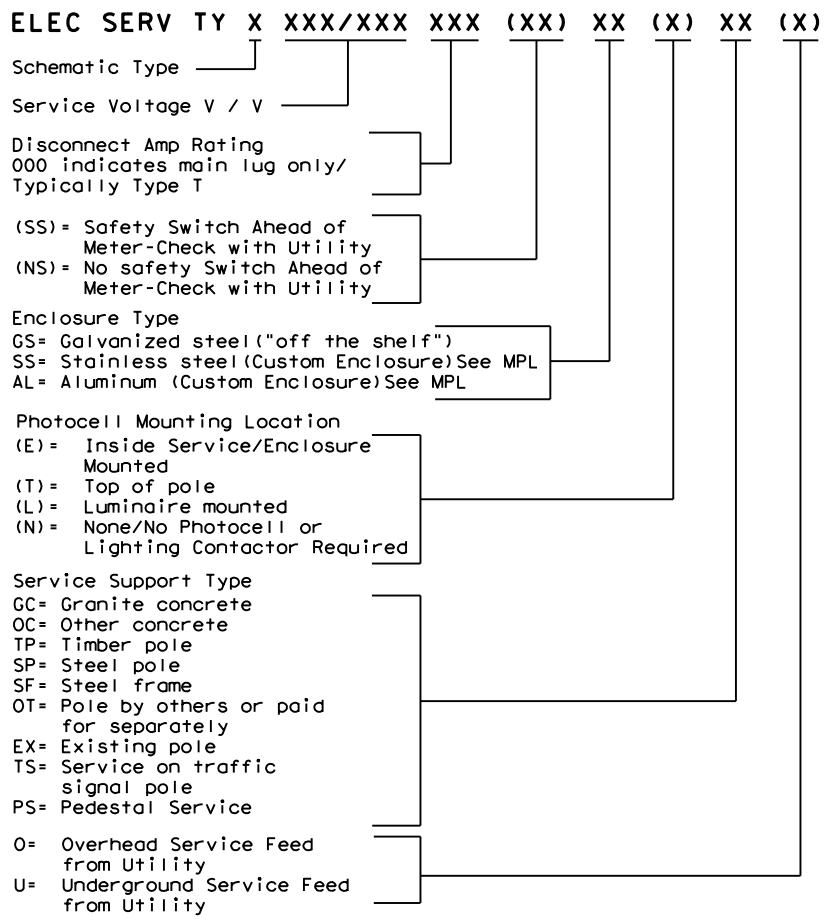
1. Provide photocell as listed on the MPL. Move, adjust, or shield the photocell from stray or ambient night time light to ensure proper operation. Mount photocell facing north when practical. Mount top of pole photocells as shown on Top Mounted Photocell Detail.

* ELECTRICAL SERVICE DATA												
Elec. Service ID	Plan Sheet Number	Electrical Service Description	Service Conduit #xSize	Service Conductors No./Size	Safety Switch Amps	Main Ckt. Bkr. Pole/Amps	Two-Pole Contractor Amps	Panelbd/ Loadcenter Amp Rating	Branch Circuit ID	Branch Ckt. Bkr. Pole/Amps	Branch Circuit Amps	KVA Load
SB 183	289	ELC SRV TY A 240/480 100(SS)AL(E)SF(U)	2"	3/#2	100	2P/100	100	N/A	Lighting NB	2P/40	26	28.1
									Lighting SB	2P/40	25	
									Underpass	1P/20	15	
NB Access	30	ELC SRV TY D 120/240 060(NS)SS(E)TS(O)	1 1/4"	3/#6	N/A	2P/60		100	Sig. Controller	1P/30	23	5.3
							30		Luminaires	2P/20	9	
									CCTV	1P/20	3	
2nd & Main	58	ELC SRV TY T 120/240 000(NS)GS(N)SP(O)	1 1/4"	3/#6	N/A	N/A	N/A	70	Flashing Beacon 1	1P/20	4	1.0
									Flashing Beacon 2	1P/20	4	

* Example only, not for construction. All new electrical services must have electrical service data chart specific to that service as shown in the plans.

** Verify service conduit size with utility. Size may change due to utility meter requirements. Ensure conduit size meets the National Electrical Code.

EXPLANATION OF ELECTRICAL SERVICE DESCRIPTIVE CODE



TOP MOUNTED PHOTOCELL

Install conduit strap maximum 3 feet from box. 5 foot maximum spacing between straps supporting conduit.

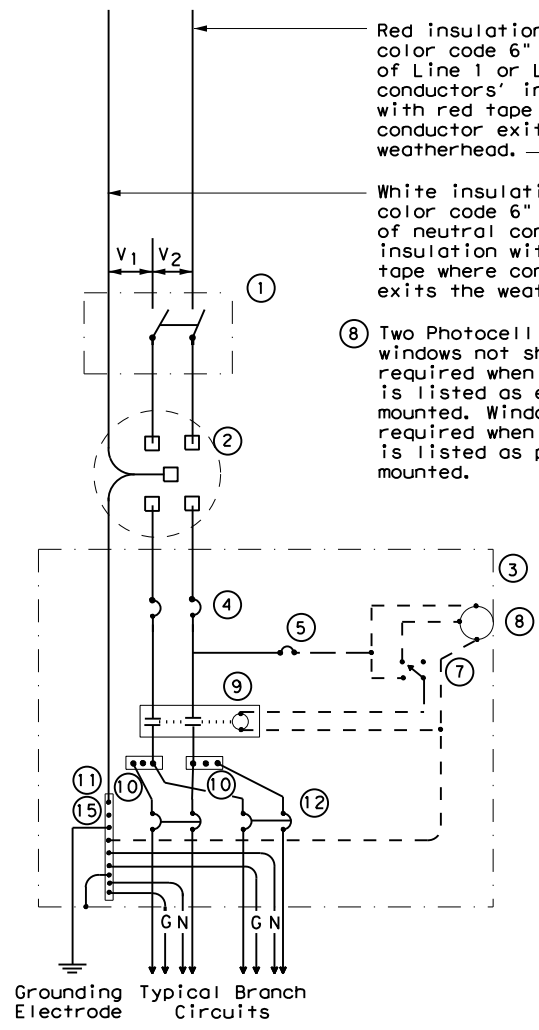
			Traffic Operations Division Standard		
<h2>ELECTRICAL DETAILS SERVICE NOTES & DATA</h2> <h3>ED(5) - 14</h3>					
FILE#	ed5-14.dgn	DN#	TxDOT	CK#	TxDOT
©TxDOT	October 2014	CONT	SECT	JOB	HIGHWAY
REVISIONS		0915	00	253	VARIOUS
DIST	COUNTY	SHEET NO.			
SAT	BEXAR	71			

The use of this standard is governed by the "Texas Engineering Practice Act". No warranty of any kind is made by TxDOT for any purpose whatsoever. TxDOT assumes no responsibility for the conversion of units or the use of units in any drawing.

DATE: 10/17/2022 1:55:01 PM
 FILE: I:\Traffic\Design\District PS&E Tracking\Plan_Review\Bexar\0915-00-253 IDs\PS&E\0915-00-253.dgn

DISCLAIMER: The use of this standard is governed by the "Texas Engineering Practice Act". No warranty of any kind is made by TxDOT for any purpose whatsoever. TxDOT assumes no responsibility for the conversion of any other standard or code to this standard.

DATE: 10/17/2022 1:55:01 PM
 FILE: I:\Traffic\Design\District PS&E Tracking\Plan_Review\Bexar\0915-00-253\ED(6)-14.dgn

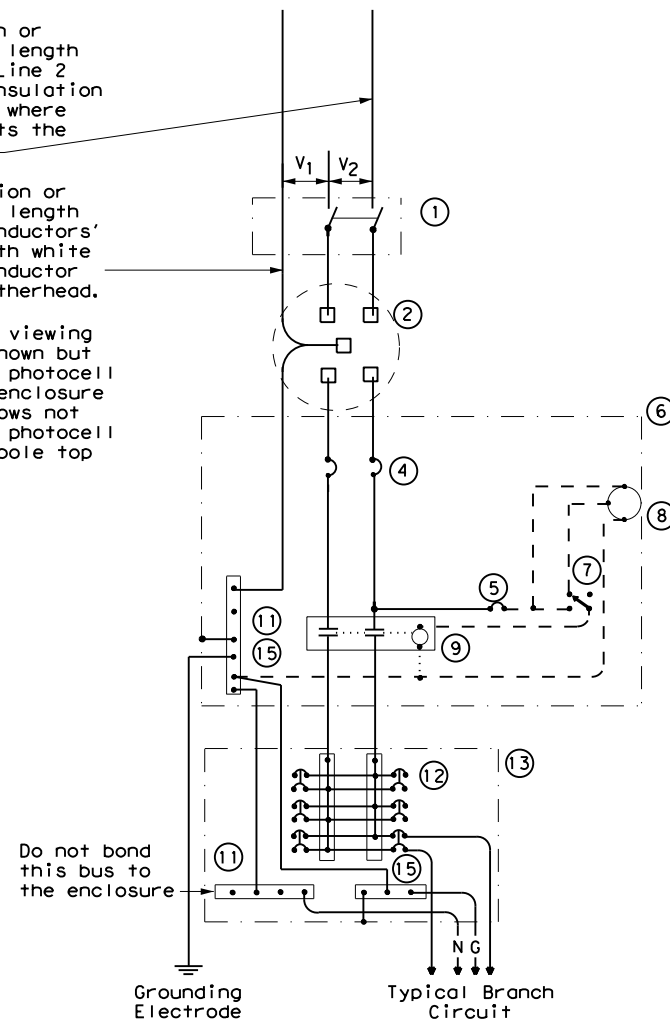


**SCHEMATIC TYPE A
THREE WIRE**

Red insulation or color code 6" length of Line 1 or Line 2 conductors' insulation with red tape where conductor exits the weatherhead.

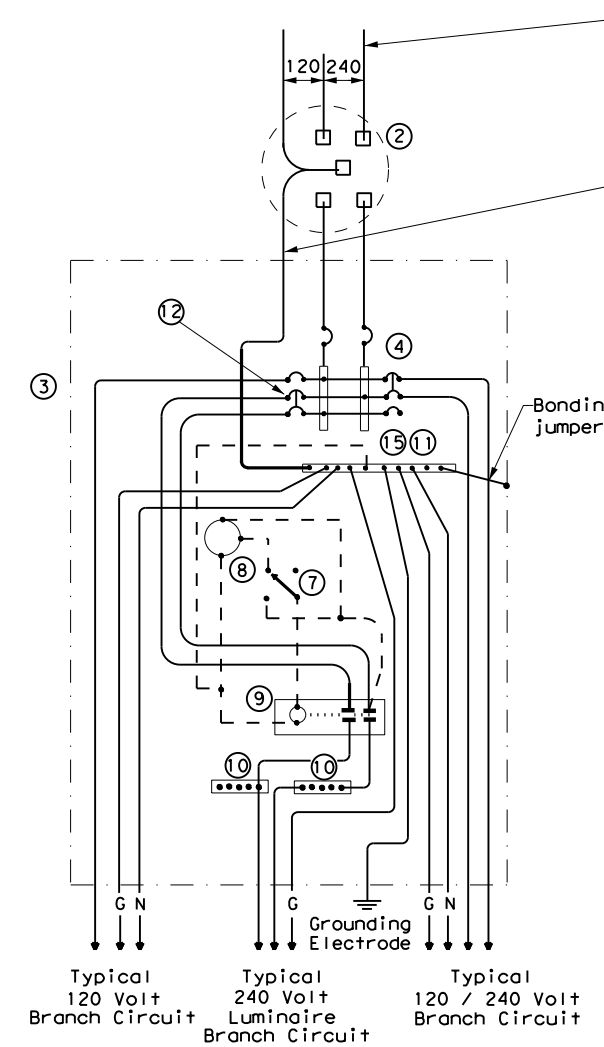
White insulation or color code 6" length of neutral conductors' insulation with white tape where conductor exits the weatherhead.

8 Two Photocell viewing windows not shown but required when photocell is listed as enclosure mounted. Windows not required when photocell is listed as pole top mounted.



**SCHEMATIC TYPE C
THREE WIRE**

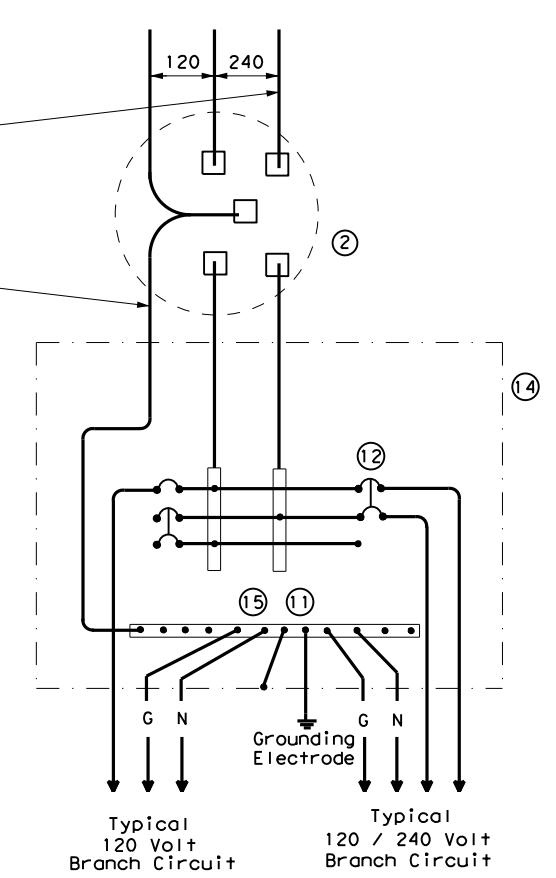
WIRING LEGEND	
—	Power Wiring
- - -	Control Wiring
—N—	Neutral Conductor
—G—	Equipment grounding conductor-always required



**SCHEMATIC TYPE D - CUSTOM
120/240 VOLTS - THREE WIRE**

Red insulation or color code 6" length of Line 1 or Line 2 conductors' insulation with red tape where conductor exits the weatherhead.

White insulation or color code 6" length of neutral conductors' insulation with white tape where conductor exits the weatherhead.



**SCHEMATIC TYPE T
120/240 VOLTS - THREE WIRE**
 Galvanized steel-"Buy Off The Shelf" only. When required install photocell top of the pole or on luminaire only, no lighting contractor will be installed.

SCHEMATIC LEGEND	
1	Safety Switch (when required)
2	Meter (when required-verify with electric utility provider)
3	Service Assembly Enclosure
4	Main Disconnect Breaker (See Electrical Service Data)
5	Circuit Breaker, 15 Amp (Control Circuit)
6	Auxiliary Enclosure
7	Control Station ("H-O-A" Switch)
8	Photo Electric Control (enclosure-mounted shown)
9	Lighting Contactor
10	Power Distribution Terminal Blocks
11	Neutral Bus
12	Branch Circuit Breaker (See Electrical Service Data)
13	Separate Circuit Breaker Panelboard
14	Load Center
15	Ground Bus

				Traffic Operations Division Standard	
ELECTRICAL DETAILS SERVICE ENCLOSURE AND NOTES					
ED(6) - 14					
FILE:	ed6-14.dgn	DN:	TxDOT	CK:	TxDOT
© TxDOT	October 2014	CONT:	SECT:	JOB:	HIGHWAY:
REVISIONS		0915	00	253	VARIOUS
DIST:	COUNTY:	SHEET NO.:			
SAT	BEXAR	72			

DISCLAIMER: The use of this standard is governed by the "Texas Engineering Practice Act". No warranty of any kind is made by TxDOT for any purpose whatsoever. TxDOT assumes no responsibility for the conversion of units or the use of the drawings for any purpose other than that for which they were prepared.

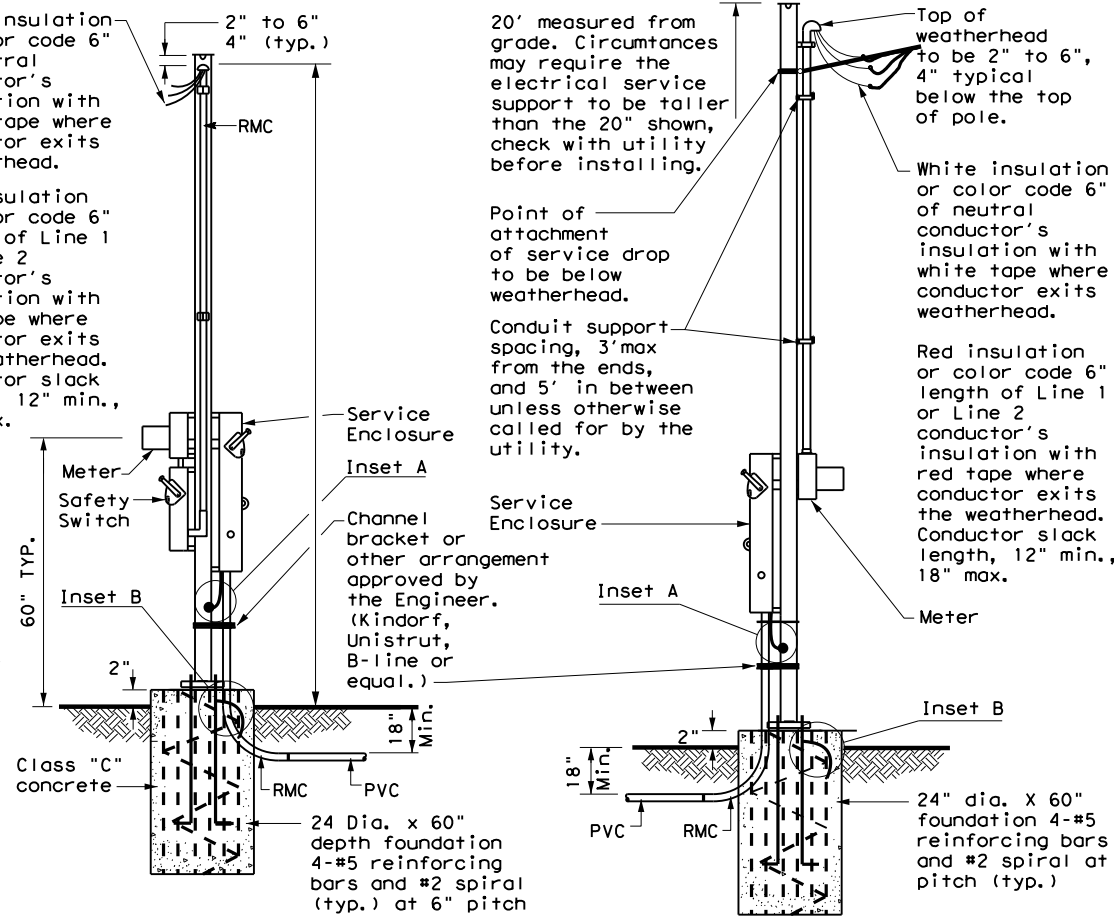
DATE: 10/17/2022 1:55:02 PM
 FILE: I:\Traffic\Design\District PS&E Tracking\Plan_Review\Bexar\0915-00-255.dwg

SUPPORT TYPE STEEL POLE (SP) AND STEEL FRAME (SF)

1. Provide steel pole and steel frame supports as per TxDOT Departmental Material Specification (DMS)11080 "Electrical Services." Mount all equipment and conduit on 12 gauge galvanized steel or stainless steel channel strut, 1 1/2 in. or 1 3/8 in. wide by 1 in. up to 3 3/4 in. deep Unistrut, Kindorf, B-line or equal. Bolt or weld all channel and hardware to vertical members as approved. Do not stack channel. File smooth and paint field cut ends of all channel with zinc-rich paint before installing.
2. Provide poles for overhead service with an eyebolt or similar fitting for attachment of the service drop to the pole in conformance with the electric utility provider's specifications.
3. Provide and install galvanized 3/4 in. x 18 in. x 4 in. (dia. x length x hook length) anchor bolts for underground service supports. Provide and install galvanized 3/4 in. x 56 in. x 4 in. anchor bolts for overhead service supports. Ensure anchor bolts have 3 in of thread, with 3 1/4 in. to 3 1/2 in. of the exposed anchor bolt projecting above finished foundation. Provide and install leveling nuts for all anchor bolts.
4. Bond one of the anchor bolts to the rebar cage with 6 AWG bare stranded copper conductor. Use listed mechanical connectors rated for embedment in concrete. See Inset B.
5. Furnish and install rigid metallic ellis in all steel pole and steel frame foundations for all conduits entering the service from underground.
6. Use class C concrete for foundations. Ensure reinforcing steel is Grade 60 with 3" of unobstructed concrete cover.
7. Drill and tap steel poles and frames for 1/2 in. X 13 UNC tank ground fitting. For steel pole service supports, provide and install tank ground fitting 4 in. to 6 in. below electrical service enclosure. Provide properly sized hole through the bottom of the enclosure for the service grounding electrode conductor. Ensure electrical service grounding electrode conductor is as short and straight as possible from the enclosure to the tank ground fitting. For steel frame service supports, provide and install tank ground fitting on steel frame post. Install service grounding electrode conductor in a non-metallic conduit or tubing from the enclosure to the steel frame post. Connect electrical service grounding electrode conductor to the tank ground fitting. See steel frame and steel pole details and Inset A for more information. Size service entrance conduit and branch circuit conduit as shown in the plans. For underground conduit runs from the electrical service, extend RMC from the service enclosure to an RMC elbow, and then connect the schedule type and size of conduit shown in the plans. Provide and install grounding bushings where RMC terminates in the enclosure. Grounding bushings are not required when RMC is fitted into a sealing hub or threaded boss.
8. If Steel pole or frame is painted, bond each separate painted piece with a bonding jumper attached to a tapped hole.
9. Provide 1/4" - 20 machine screws for bonding. Do not use sheet metal screws. Remove all non-conductive material at contact points. Terminate bonding jumpers with listed devices. Install minimum size 6 AWG stranded copper bonding jumpers. Make up all threaded bonding connections wrench tight.
10. Avoid contact of the service drop and service entrance conductors with the metal pole to prevent abrasion of the insulated conductors.
11. Shop drawings are not required for service support structure unless specifically stated elsewhere or directed by the Engineer.

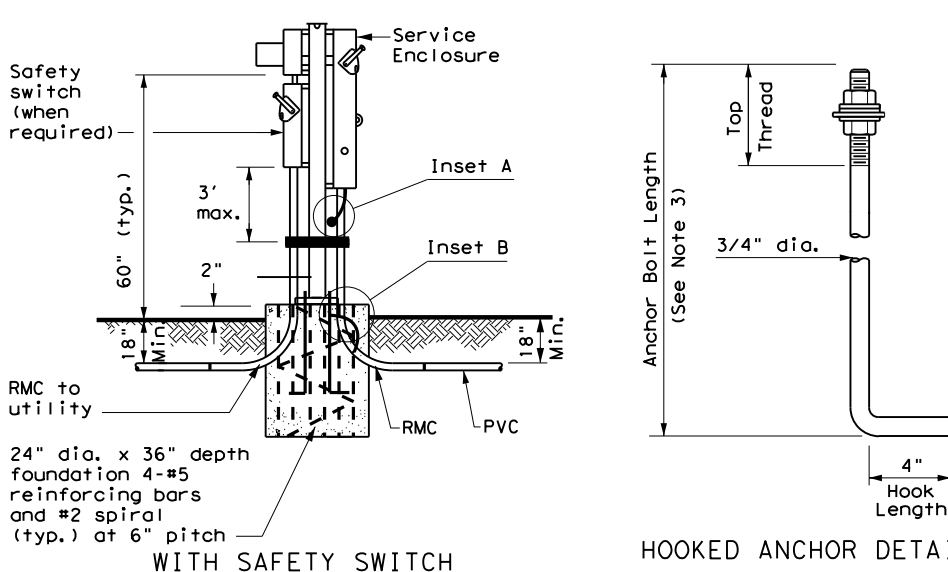
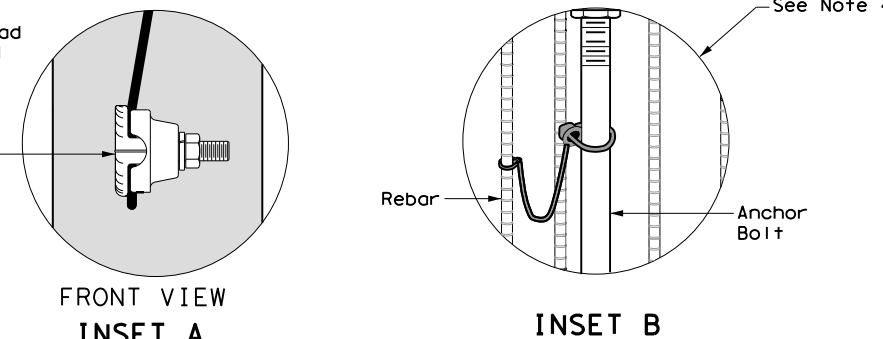
White insulation or color code 6" of neutral conductor's insulation with white tape where conductor exits weatherhead.

Red insulation or color code 6" length of Line 1 or Line 2 conductor's insulation with red tape where conductor exits the weatherhead. Conductor slack length, 12" min., 18" max.

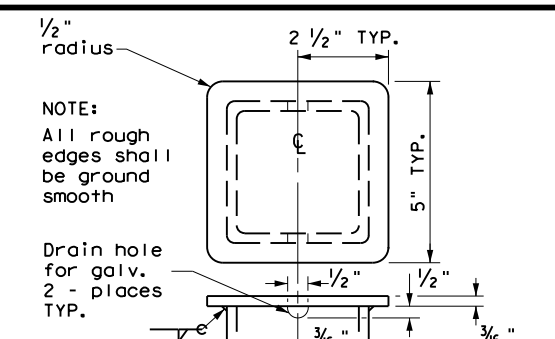


WITH SAFETY SWITCH
WITHOUT SAFETY SWITCH
SERVICE SUPPORT TYPE SP (O) - OVERHEAD SERVICE

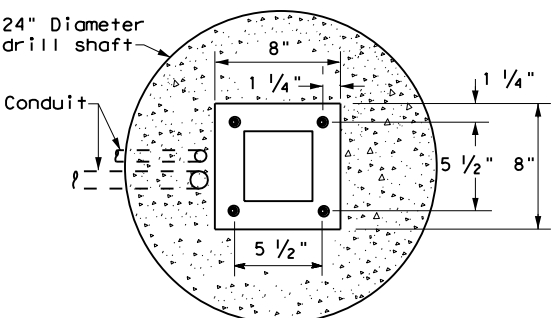
Drill, tap, and thread 1/2" X 13 UNC. Install tank ground fitting, connect electrical service grounding electrode conductor. See Note 7.



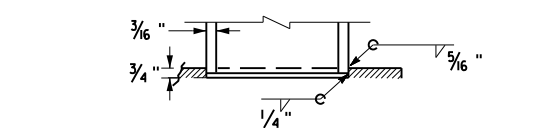
WITH SAFETY SWITCH
HOOKED ANCHOR DETAIL
SERVICE SUPPORT TYPE SP (U) - UNDERGROUND SERVICE



POLE TOP PLATE

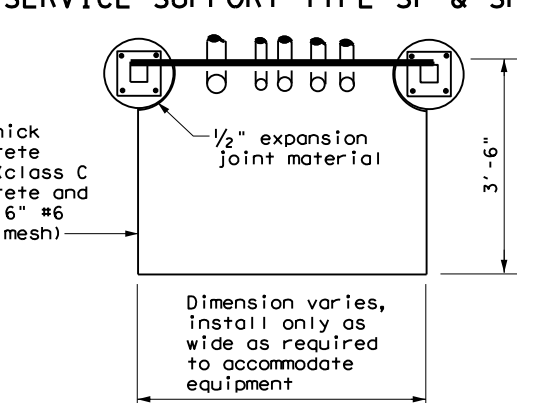


BASE PLATE DETAIL

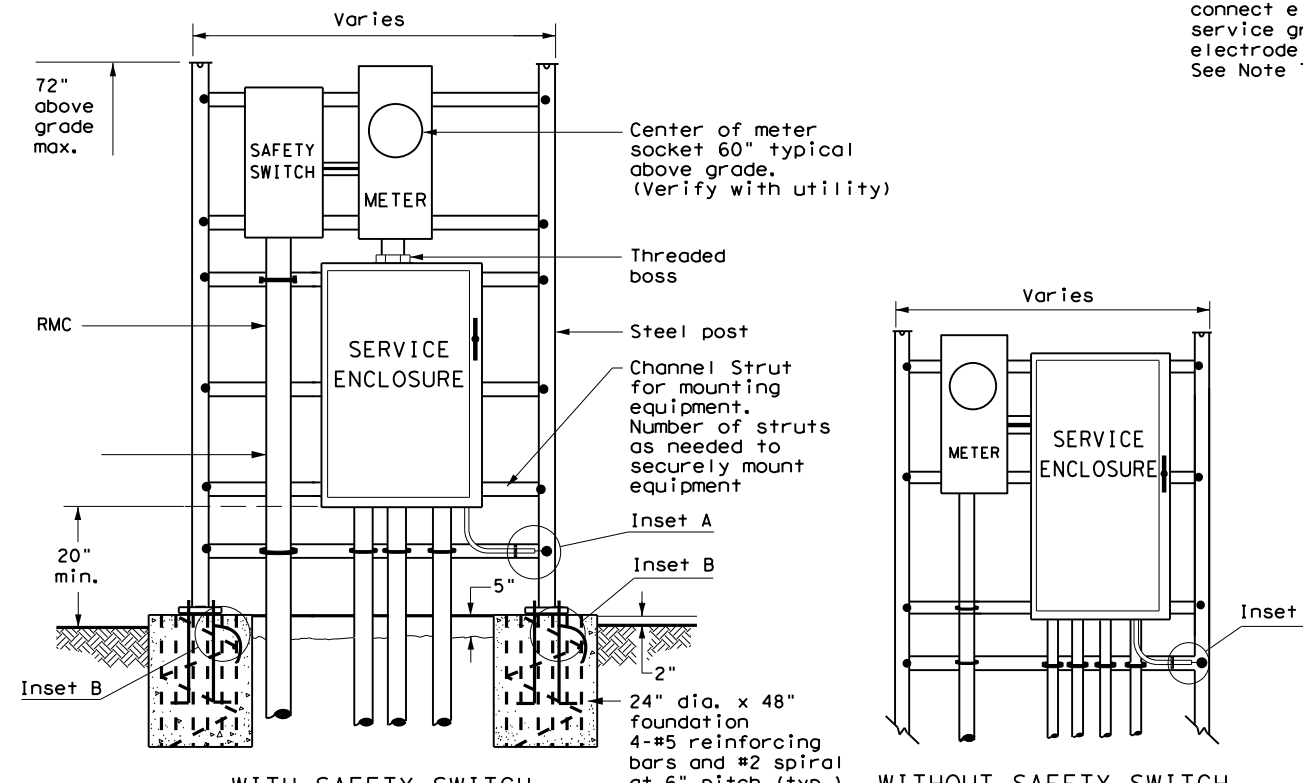


BOTTOM OF POLE

SERVICE SUPPORT TYPE SF & SP



TOP VIEW SERVICE SUPPORT TY SF (O) & SF (U)



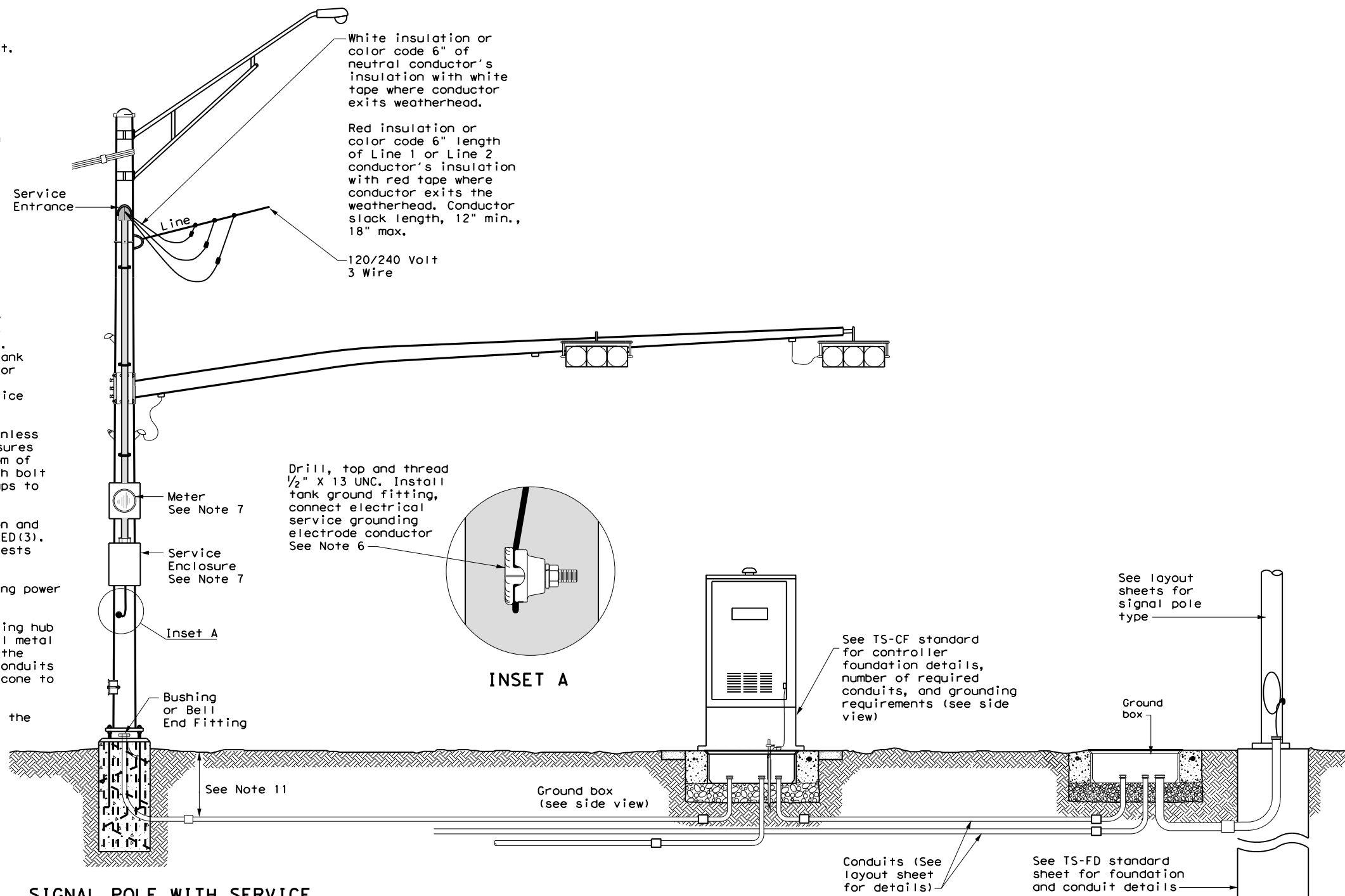
WITH SAFETY SWITCH
WITHOUT SAFETY SWITCH
SERVICE SUPPORT TYPE SF (U) - UNDERGROUND SERVICE

		Traffic Operations Division Standard	
ELECTRICAL DETAILS SERVICE SUPPORT TYPES SF & SP ED(7)-14			
FILE: ed7-14.dgn	DWG: TxDOT	CHK: TxDOT	DWG: TxDOT
© TxDOT October 2014	CON: 0915	SECT: 00	JOB: 253
REVISIONS	SAT	COUNTY: BEXAR	SHEET NO.: 73

DATE: 10/17/2022 1:55:02 PM
 FILE: I:\Traffic\Design\District PS&E Tracking\Plan_Review\Bexar\0915-00-253\11-11-2022\11-11-2022.dgn
 The use of this standard is governed by the "Texas Engineering Practice Act". No warranty of any kind is made by TxDOT for any purpose whatsoever. TxDOT assumes no responsibility for the conversion of units or the accuracy of the information contained herein.

TRAFFIC SIGNAL NOTES

1. Do not pass luminaire conductors through the signal controller cabinet.
2. Include an equipment grounding conductor in all conduits throughout the electrical system. Bond all exposed metal parts to the grounding conductor.
3. Provide roadway luminaires, when required, in accordance with the material and construction sections of Item 610, "Roadway Illumination Assemblies," except for performance testing of luminaires. Test installed roadway luminaires for proper operation as a part of the associated traffic signal system test.
4. If internally illuminated street name signs are approved for use, ground the fixture to the pole with a 12 AWG green XHHW conductor.
5. Bond anchor bolts to rebar cage in two locations using #3 bars or 6 AWG stranded copper conductors. Use listed mechanical connectors rated for embedment in concrete. See TxDOT standard TS-FD for further details.
6. Drill and tap signal poles for 1/2 in. X 13 UNC tank ground fitting. Provide and install tank ground fitting 4 in. to 6 in. directly below electrical service enclosure. Provide properly sized hole through the bottom of the enclosure for the service grounding electrode conductor. Connect the electrical service grounding electrode conductor to the tank ground fitting. Ensure electrical service grounding electrode conductor is as short and straight as possible from the enclosure to the tank ground fitting. See Inset A detail for further information. Size service entrance conduit and branch circuit conduit as shown in the plans.
7. Mount electrical service enclosure and meter to signal pole with stainless steel bands. Ensure bands are a minimum width of 3/4 in. Secure enclosures to bands using two-bolt brackets. Install brackets near top and bottom of each enclosure. Install properly sized stainless steel washers on each bolt in the enclosure. Band or drill and tap properly sized stand-off straps to signal pole for attaching conduit.
8. Conduct pull tests and insulation resistance tests on all illumination and power conductors as required in Item 620 "Electrical Conductors" and ED(3). To prevent electronics damage, do not conduct insulation resistance tests on traffic signal cables after termination.
9. Lock all enclosures and bolt down all ground box covers before applying power to the signal installation.
10. Terminate conduits entering the top of enclosures with a conduit-sealing hub or threaded boss such as meter hub. Install a grounding bushing on all metal conduits not connected to conduit-sealing hub or threaded boss. Bond the grounding bushing to the ground bus with a bonding jumper. Seal all conduits entering enclosures with duct seal or expanding foam. Do not use silicone to seal conduit ends.
11. For all conduits, ensure the burial depth is a minimum of 18". Ensure the minimum burial depth for conduit placed under a roadway is 24".

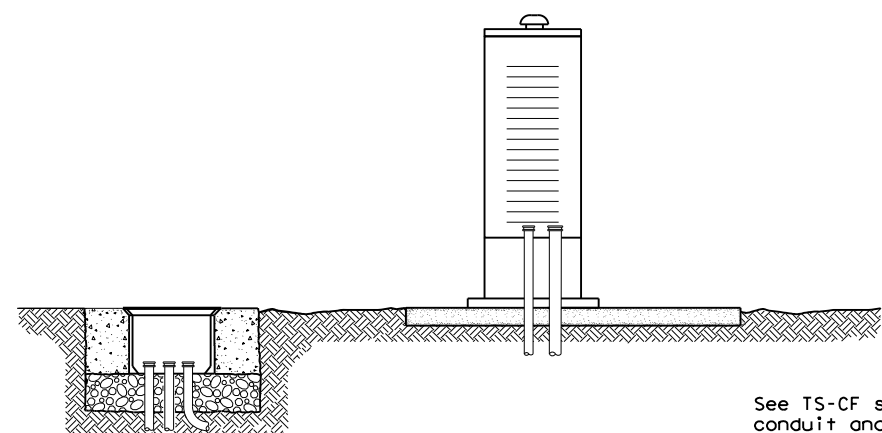


SIGNAL POLE WITH SERVICE

Type T electrical service mounted on signal pole shown as an example. See electrical details, layout sheets, and electrical service data chart for additional details.

SIGNAL CONTROLLER FRONT VIEW

SIGNAL POLE



SIGNAL CONTROLLER SIDE VIEW

See TS-CF standard for conduit and grounding requirements. See layout sheets for ground box locations and any additional conduits that are required.

ELECTRICAL DETAILS TYPICAL TRAFFIC SIGNAL SYSTEM DETAILS

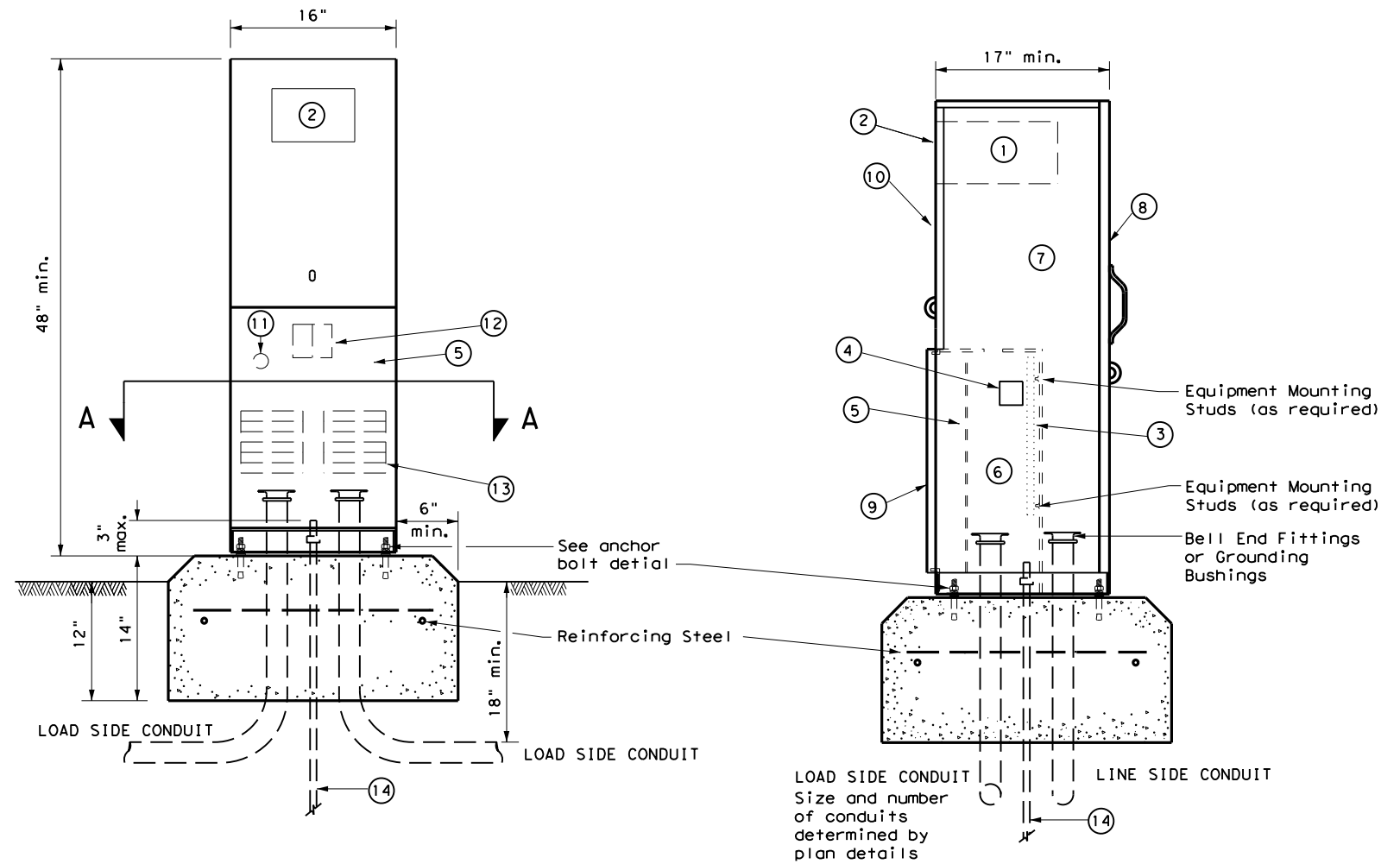
ED(8) - 14

FILE: ed8-14.dgn	DN: TxDOT	CK: TxDOT	DW: TxDOT	CR: TxDOT
© TxDOT October 2014	CONT	SECT	JOB	HIGHWAY
REVISIONS	0915	00	253	VARIOUS
	DIST	COUNTY	SHEET NO.	
	SAT	BEXAR	74	

DATE: 10/17/2022 1:55:03 PM
 FILE: I:\Traffic\Design\District PS&E Tracking\Plan_Review\Bexar\0915-00-253 ID 15171001.dwg
 The use of this standard is governed by the "Texas Engineering Practice Act". No warranty of any kind is made by TxDOT for any purpose whatsoever. TxDOT assumes no responsibility for the conversion of units or the accuracy of the information contained herein.

PEDESTAL SERVICE NOTES

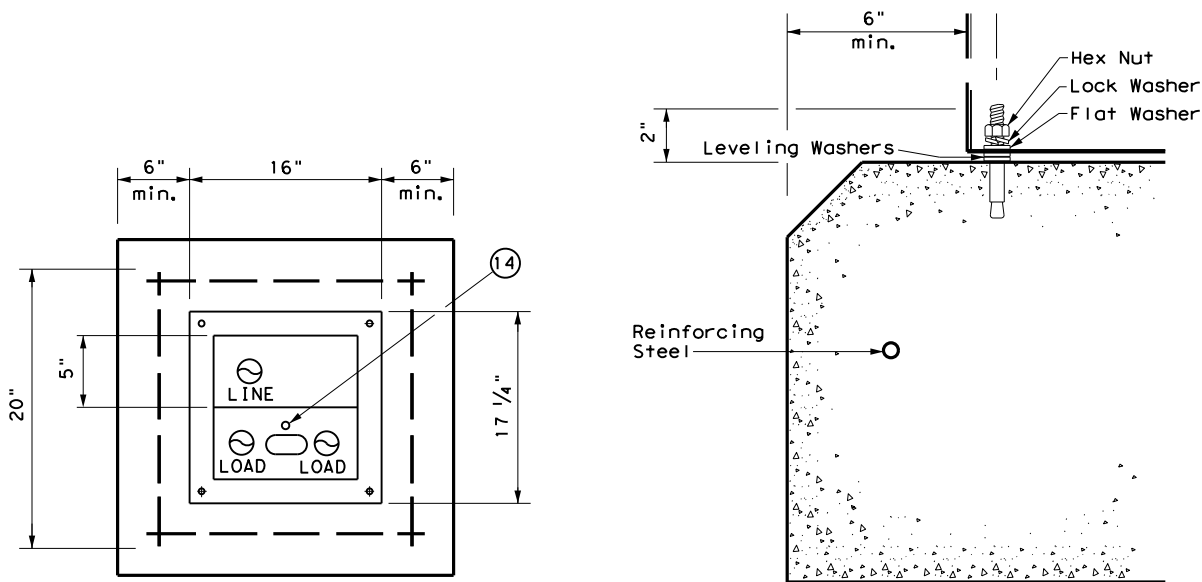
1. Manufacture pedestal electrical services in accordance with Departmental Material Specifications (DMS) 11080 "Electrical Services", 11085 "Electrical Services-Pedestal (PS)" and Item 628 "Electrical Services." Provide pedestal electrical services as listed on the Material Producers List (MPL) on the Department's web site under "Roadway Illumination and Electrical Supplies," Item 628. Ensure all mounting hardware and installation details of services meet utility company specifications. Contact the local utility company for approval of pedestal details prior to installing the electrical pedestal service. Submit any changes required by the utility company prior to manufacturing the pedestal enclosure.
2. When a meter socket is required, provide a socket with a minimum 100 amp rating that complies with local utility requirements.
3. Provide Class A or C concrete for pedestal service foundations in accordance with Item 420, "Concrete Substructures," except that concrete will not be paid for directly but is considered subsidiary to Item 628.
4. Provide #4 reinforcing steel for foundations in accordance with Item 440, "Reinforcement for Concrete."
5. Install 1/2 in. X 2 1/16 in. minimum length concrete single expansion type anchors for mounting pedestal enclosure to foundation. Anchor location to match mounting holes in each corner of enclosure. Secure each of the four corners of the pedestal enclosure to the anchors in the foundation with a 1/2 in. galvanized or stainless steel machine thread bolt, a properly sized locknut and a flat washer.
6. Finish top of concrete foundation in a neat and workmanlike manner. If leveling washers are used, ensure no more than 1/8 in. gap at any corner. Do not exceed a maximum dip or rise in the foundation of 1/8 in. per foot. When properly installed, ensure the top of the service enclosure is level front to back and side to side within 1/4 in. Repair rocking or movement of the service enclosure at no additional cost to the department.
7. Do not use liquidtight flexible metal conduit (LFMC) on pedestal type services.
8. Ensure all elbows in the foundation are sized as per utility provider's conduit requirements for underground conduit and feeders. PVC extensions may be installed provided the ends of the rigid metal conduits are more than 2 in. below the top of the concrete foundation. Where extension conduits are metal, grounding bushings must be installed with a bonding jumper properly terminated.



FRONT VIEW

SIDE VIEW

TYPE C shown, TYPE A similar except that TYPE A shall have individual circuit breakers (CB) mounted on an equipment mounting panel. CB Handles shall protrude through hinged deadfront trim.



SECTION A-A

ANCHOR BOLT DETAIL

LEGEND

1	Meter Socket, (when required)
2	Meter Socket Window, (when required)
3	Equipment Mounting Panel
4	Photo Electric Control Window, (When required)
5	Hinged Deadfront Trim
6	Load Side Conduit Trim
7	Line Side Conduit Area
8	Utility Access Door, with handle
9	Pedestal Door
10	Hinged Meter Access
11	Control Station (H-O-A Switch)
12	Main Disconnect
13	Branch Circuit Breakers
14	Copper Clad Ground Rod - 5/8" X 10'

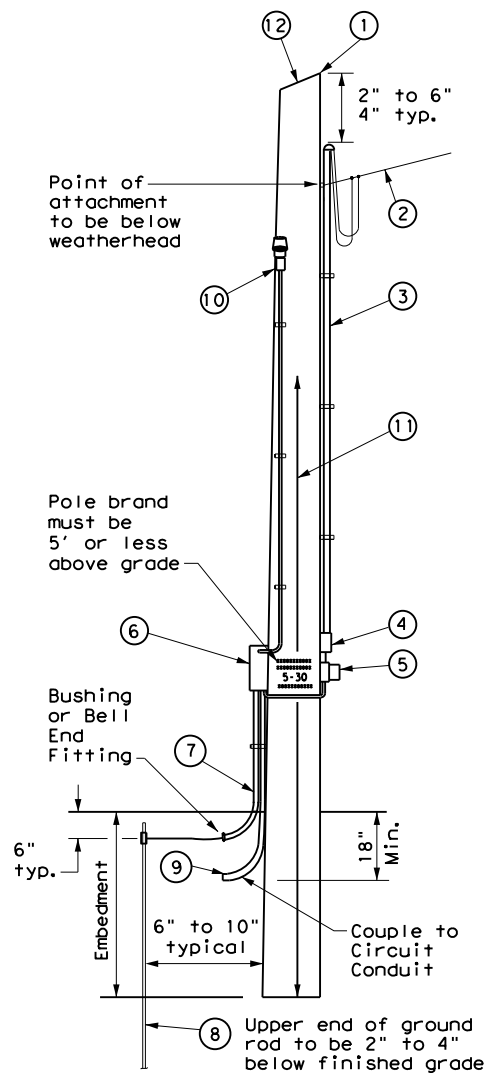
		Traffic Operations Division Standard	
ELECTRICAL DETAILS ELECTRICAL SERVICE SUPPORT PEDESTAL SERVICE TYPE PS			
ED(9) - 14			
FILE: ed9-14.dgn	DN: TxDOT	CK: TxDOT	DW: TxDOT
© TxDOT October 2014	CONT	SECT	JOB
REVISIONS	0915	00	253
DIST	COUNTY	SHEET NO.	
SAT	BEXAR	75	

DATE: 10/17/2022 1:55:03 PM
 FILE: I:\Traffic\Design\District PS&E Tracking\Plan_Review\Bexar\0915-00-253 ID: 11770711.dgn
 The use of this standard is governed by the "Texas Engineering Practice Act". No warranty of any kind is made by TxDOT for any purpose whatsoever. TxDOT assumes no responsibility for the conversion of any information to other systems or for the use of the information.

TIMBER POLE (TP) SERVICE SUPPORT NOTES

1. Ensure electrical service support is a class 5 treated timber pole as per Item 627 "Treated Timber Poles." Embed timber pole to depth required in Item 627.
2. Conduit and electrical conductors attached to the electrical service pole and underground within 12 in. of service pole are not paid for directly but are subsidiary to the electrical service.
3. Install pole-top mounted photocell (T) on north side of pole, or in service enclosure (E) as required. See Electrical Service Data chart in plan set.
4. Gain pole as required to provide flat surface for each channel. Gain timber pole to $\frac{3}{8}$ in. max. depth and $1\frac{1}{8}$ in. max. height. Gain pole in a neat and workmanlike manner.
5. Mount meter and service equipment on stainless steel or galvanized channel (Unistrut, Kindorf, or equal). Provide channel sized 1 in. to $3\frac{3}{4}$ in. maximum depth, and $1\frac{1}{2}$ in. to $1\frac{5}{8}$ in. maximum width. File smooth the cut ends of galvanized channel and paint with zinc rich paint before installing on pole. Secure each channel section to timber pole with two galvanized or SS lag bolts, $\frac{1}{4}$ in. minimum diameter by $1\frac{1}{2}$ in. minimum length. Use a galvanized or SS flat washer on each lag bolt. Do not stack channel.
6. When excess length must be trimmed from poles, trim from the top end only.

- 1 Class 5 pole, height as required
- 2 Service drop from utility company (attached below weatherhead)
- 3 Service conduit (RMC) and service entrance conductors - One Red, One Black, One White (See Electrical Service Data)
- 4 Safety switch (when required)
- 5 Meter (when required)
- 6 Service enclosure
- 7 6 AWG bare grounding electrode conductor in $\frac{1}{2}$ in. PVC to ground rod - extend $\frac{1}{2}$ in. PVC 6 in. underground.
- 8 $\frac{5}{8}$ in. x 8 ft. Copper clad ground rod - drive ground rod to a depth of 2 in. to 4 in. below grade.
- 9 RMC same size as branch circuit conduit.
- 10 See pole-top mounted photocell detail on ED(5).
- 11 When required by the serving utility provide bare 6 AWG copper conductor. Run wire from pole top to butt wrap or copper butt plate. Protect conductor with non-conductive material to a height of 8 ft. above finished grade.
- 12 When required by utility, cut top of pole at an angle to enhance rain run off.

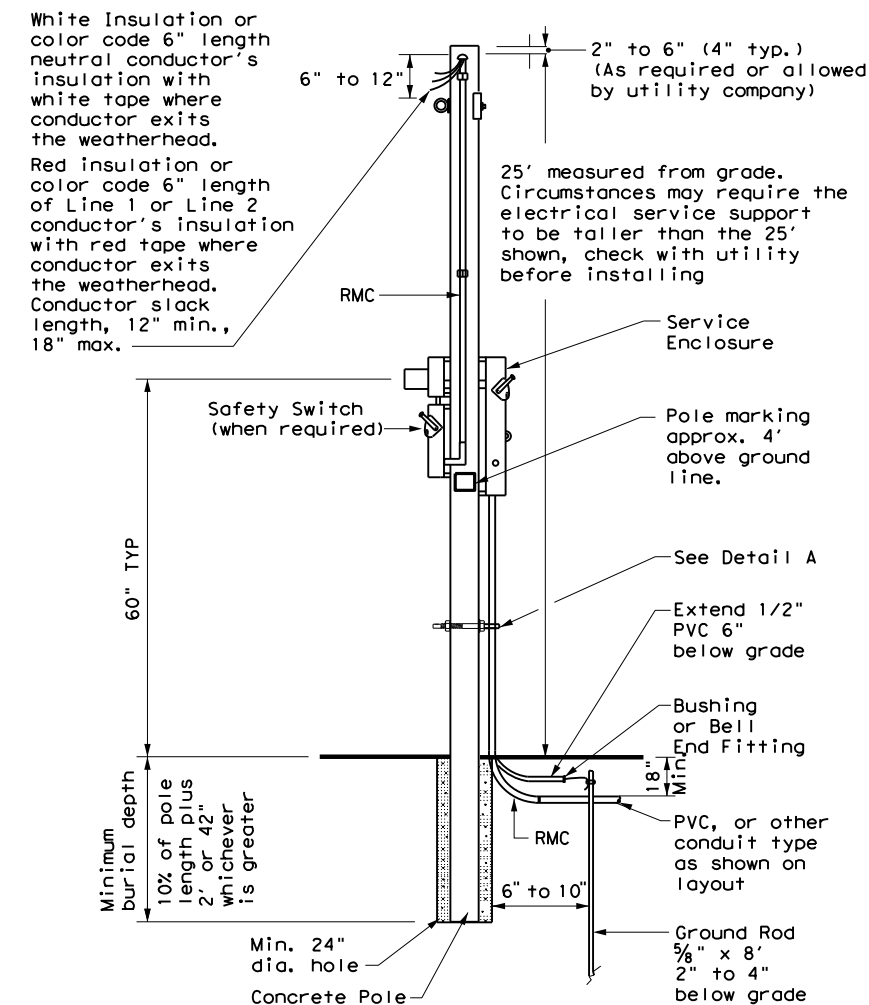


SERVICE SUPPORT TYPE TP (O)

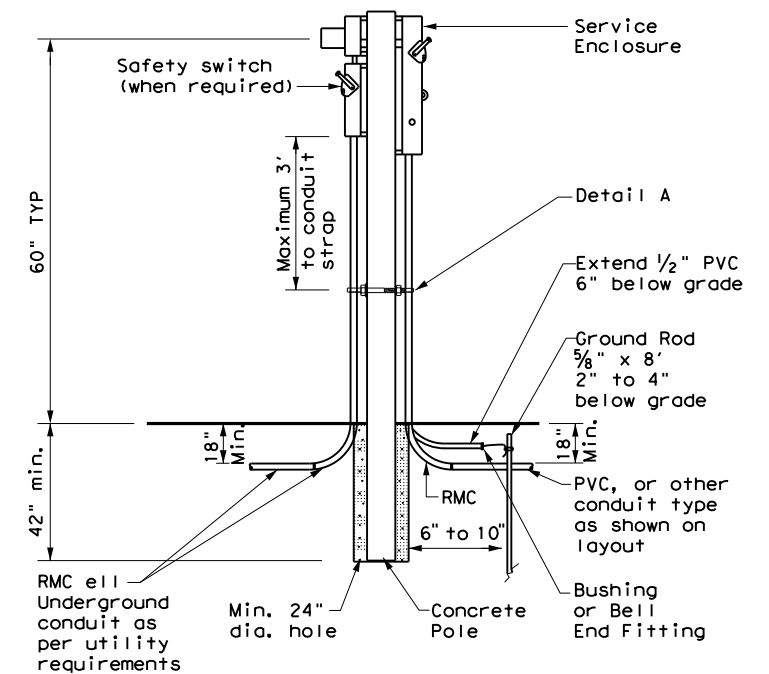
GRANITE CONCRETE (GC) & OTHER CONCRETE (OC) NOTES

Ensure electrical service support structures bid as type Granite Concrete (GC) or Other Concrete (OC) meet the following requirements.

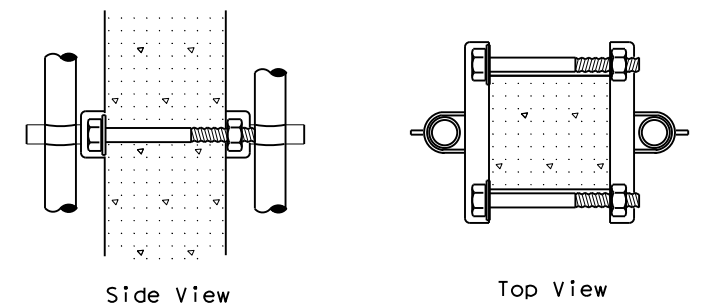
1. Provide GC and OC poles that meet the requirements of DMS 11080 "Electrical Services."
2. Provide prestressed concrete poles suitable for direct embedment into the ground without special foundations.
3. Verify poles are marked as required on DMS 11080. Location of marking should be approximately 4' above final grade. Use the two-point pickup locations when handling pole in horizontal position, and one-point pickup location for use in raising the pole to a vertical position. These marks are small but conspicuous.
4. Embed poles 42 in. or 10% of the length plus 2 ft., whichever is greater.
5. Ensure all installation details of services are in accordance with utility company specifications.
6. Install a one point rack or eye bolt bracket 6 inches to 12 inches below the weatherhead as an overhead service drop anchoring point for the electric utility.
7. Furnish and install galvanized or stainless steel channel strut $1\frac{1}{2}$ in. or $1\frac{5}{8}$ in. wide by 1 in. up to $3\frac{3}{4}$ in. deep (Unistrut, Kindorf, B-line or equal). Attach channel strut with stainless steel concrete anchors (max. 1" depth), square U-bolts or back to back channel strut with long bolts, or other secure mounting as approved by the Engineer. Ensure bolts are galvanized in accordance with ASTM A153. Do not stack channel struts.
8. Backfill the holes thoroughly by tamping in 6 in. lifts. After tamping to grade, place additional backfill material in a 6 inch high cone around the pole to allow for settling. Use material equal in composition and density to the surrounding area. Backfilling will not be paid for directly but is subsidiary to various bid items.



CONCRETE SERVICE SUPPORT Overhead (O)



CONCRETE SERVICE SUPPORT Underground (U)



DETAIL A

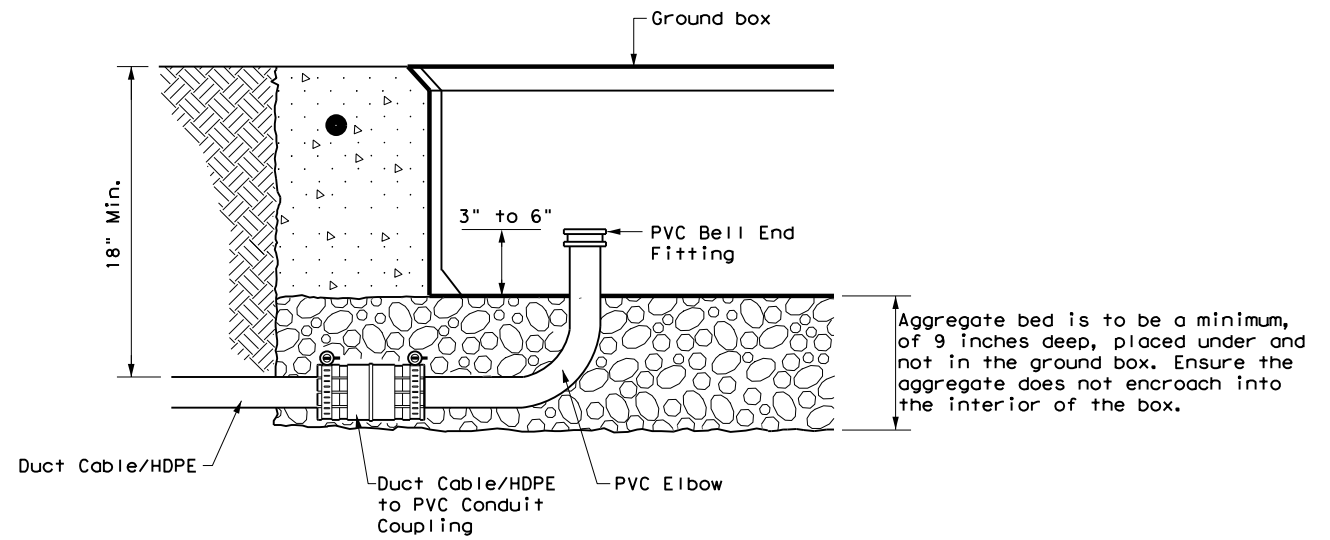
See Note 7. Before installing channel that has been cut, file sharp edges and paint with zinc-rich paint. Ensure there is no paint splatter on the pole.

		Traffic Operations Division Standard	
ELECTRICAL DETAILS SERVICE SUPPORT TYPES GC, OC, & TP			
ED(10)-14			
FILE: ed10-14.dgn	DN: TxDOT	CK: TxDOT	DW: TxDOT
© TxDOT October 2014	CONT	SECT	JOB
REVISIONS	0915 00	253	VARIOUS
DIST	COUNTY	SHEET NO.	
SAT	BEXAR	76	

DATE: 10/17/2022 1:55:03 PM
 FILE: I:\Traffic\Design\District PS&E Tracking\Plan_Review\Bexar\0915-00-255 ID 15171011.dwg
 The use of this standard is governed by the "Texas Engineering Practice Act". No warranty of any kind is made by TxDOT for any purpose whatsoever. TxDOT assumes no responsibility for the conversion of units or the accuracy of the information presented herein.

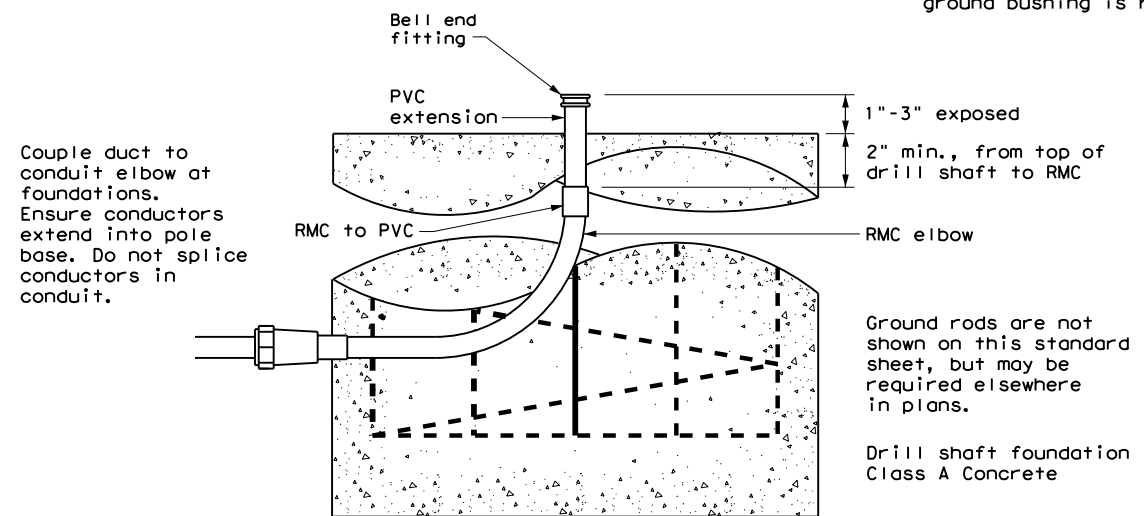
DUCT CABLE & HDPE CONDUIT NOTES

- Provide duct cable in accordance with Departmental Material Specification (DMS) 11060 "Duct Cable" and Item 622 "Duct Cable." Provide duct cable as listed on the Material Producer List (MPL) on the Department web site under "Roadway Illumination and Electrical Supplies" Item 622.
- Provide High-Density Polyethylene (HDPE) conduit in accordance with DMS 11060 and Item 618, "Conduit." Provide HDPE as listed on the MPL on the Department web site under "Roadway Illumination and Electrical Supplies," Item 618.
- Supply duct cable with a minimum 2 in. diameter, unless otherwise shown in the plans. Provide duct cable and HDPE conduit as shown by descriptive code or on the plans. Bend duct cable and HDPE conduit as recommended by the manufacturer, with a minimum bending radius of 26 in. for 2 in. duct. Follow manufacturers' recommendations when handling duct cable and HDPE conduit reels and during installation of duct cable and HDPE conduit.
- Do not splice conductors within duct cable or HDPE conduit. Couple duct cable and HDPE entering a ground box or foundation to a PVC elbow. When galvanized steel RMC elbows are called for in the plans and any portion of the RMC elbow is buried less than 18" from possible contact, ground the RMC elbow.
- Furnish and install duct cable with factory installed conductors, sized as shown in the plans and as required by the National Electrical Code (NEC). The NEC contains specific requirements for duct cable in Article, "Nonmetallic Underground Conduit with Conductors: Type NUCC."
- When conduit casing is called for in the plans, extend duct cable or HDPE conduit through the conduit casing in one continuous length without connection to the casing.
- Seal the ends of duct cable or HDPE conduit with duct seal, expandable foam, or other approved method after completing the pull tests required by Item 622.
- Provide minimum cover of 24 in. under roadways, 18 in. in other locations, or as shown on the plans.
- Furnish and install listed fittings to couple duct cable or HDPE conduit to other types of conduit. Duct cable and HDPE conduit may be field-threaded and spliced with PVC or RMC threaded couplings; connected with listed tie-wrap fittings; connected using listed coupling made of HDPE with stainless steel external banding clamps and locking rings; connected with approved electrofusion conduit couplings; or connected using an approved chemical fusion method using an epoxy or adhesive specifically designed for HDPE couplings and connectors all installed in accordance with their manufacturer's instructions. Do not use PVC glue on HDPE. Do not use water pipe fittings, or connect conduit with heat shrink tubing.

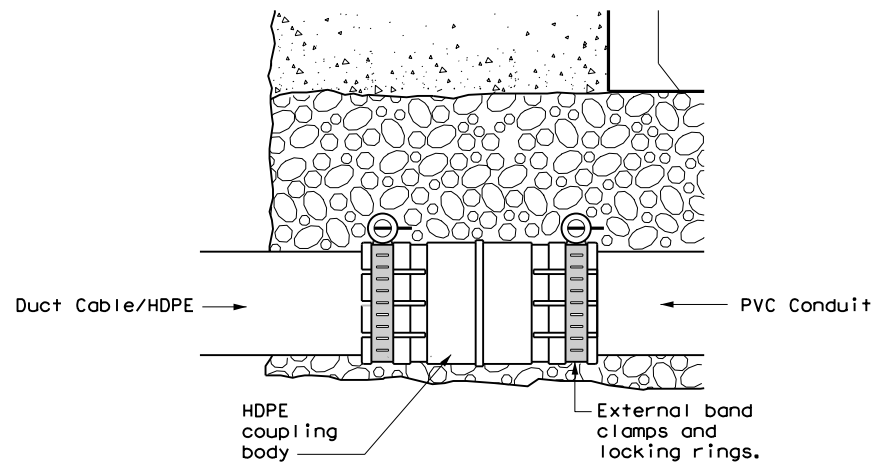


DUCT CABLE/HDPE AT GROUND BOX

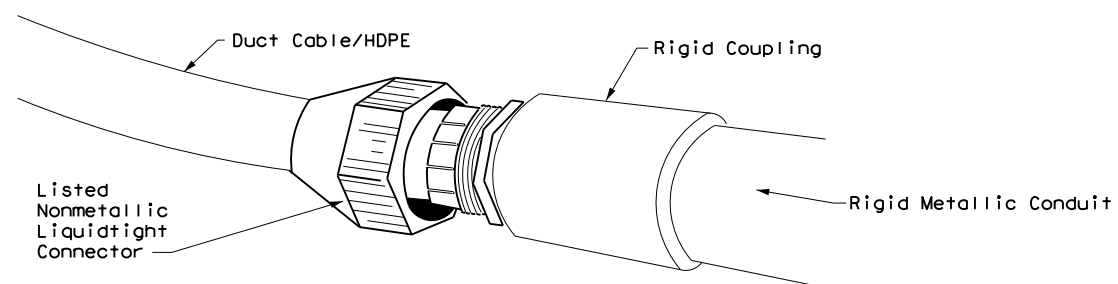
When the upper end of an RMC Ell does not enter the ground box, it may be extended with a SCH-40 PVC conduit nipple and bell end, provided there is a minimum of 18" of cover over all parts of the elbow. If not, a rigid extension and ground bushing is required.



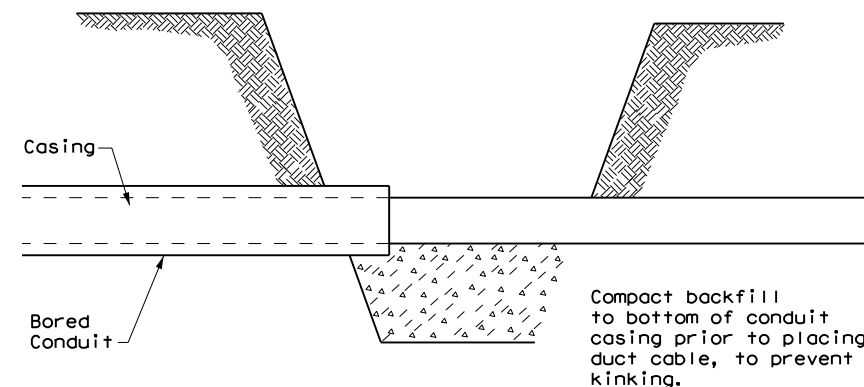
DUCT CABLE / HDPE AT FOUNDATION



DUCT CABLE/HDPE TO PVC



DUCT CABLE/HDPE TO RMC



BORE PIT DETAIL

				Traffic Operations Division Standard	
ELECTRICAL DETAILS DUCT CABLE/ HDPE CONDUIT					
ED(11)-14					
FILE:	ed11-14.dgn	DN:	TxDOT	CK:	TxDOT
© TxDOT	October 2014	CONT	SECT	JOB	HIGHWAY
REVISIONS		0915	00	253	VARIOUS
DIST	COUNTY	SHEET NO.			
SAT	BEXAR	77			

DATE: 10/17/2022 1:55:06 PM
 FILE: I:\Traffic\Design\District PS&E Tracking\Plan_Review\Bexar\0915-00-255 ID 15171001.dwg
 The use of this standard is governed by the "Texas Engineering Practice Act". No warranty of any kind is made by TxDOT for any purpose whatsoever. TxDOT assumes no responsibility for the conversion of units or the accuracy of the information contained herein.

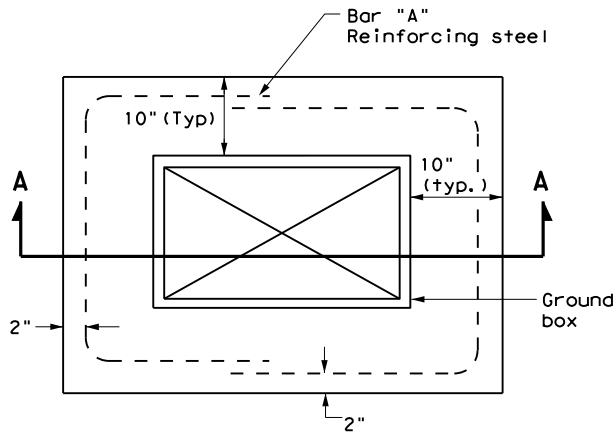
BATTERY BOX GROUND BOXES NOTES

A. MATERIALS

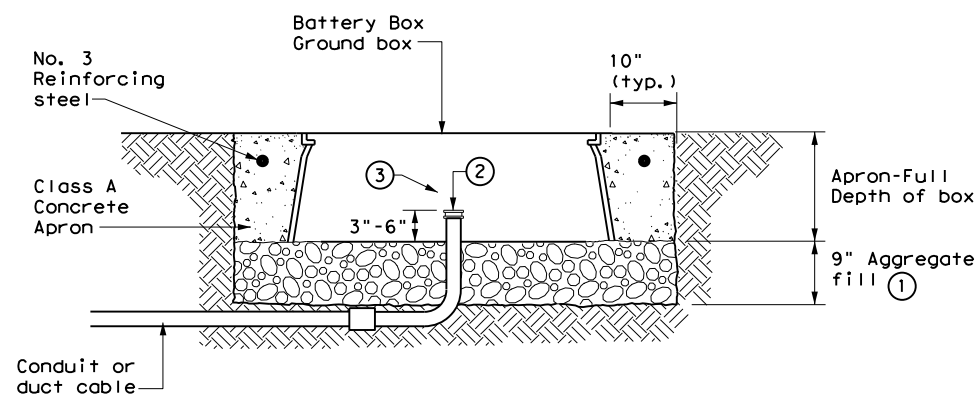
1. Provide polymer concrete or fiberglass reinforced plastic (FRP) battery box ground box and cover in accordance with Departmental Material Specification (DMS) 11071 "Battery Box Ground Boxes." Battery box will accommodate up to 4 batteries, each measuring 8 in. x 13.5 in. x 10 in. (W x L x D). Label battery box ground box cover in accordance with DMS 11071.
2. Supply a marine grade batteries with covers. Secure the marine grade batteries with covers to the stainless steel rack in the bottom of the ground box with tie down straps.

B. CONSTRUCTION METHODS

1. Ensure conduit entry will not interfere with placement of the batteries in the battery box ground box.
2. Remove all gravel and dirt from conduit. Cap all conduits prior to placing aggregate and setting battery box ground box. Provide Grade 3 or 4 coarse aggregate as shown on Table 2 of Item 302 "Aggregates for Surface Treatments." Ensure the aggregate bed is in place and is a minimum of 9 in. deep prior to setting the box. Install battery box ground box on top of aggregate.
3. Cast battery box aprons in place. Reinforcing steel may be field bent. Ensure the depth of concrete for the apron extends from finished grade to the top of the aggregate bed under the box. Battery box ground box aprons, including concrete and reinforcing steel, are subsidiary to battery box ground boxes when called for by descriptive code.
4. Bolt covers down when not working in battery box ground boxes. Keep bolt holes in the box clear of dirt.



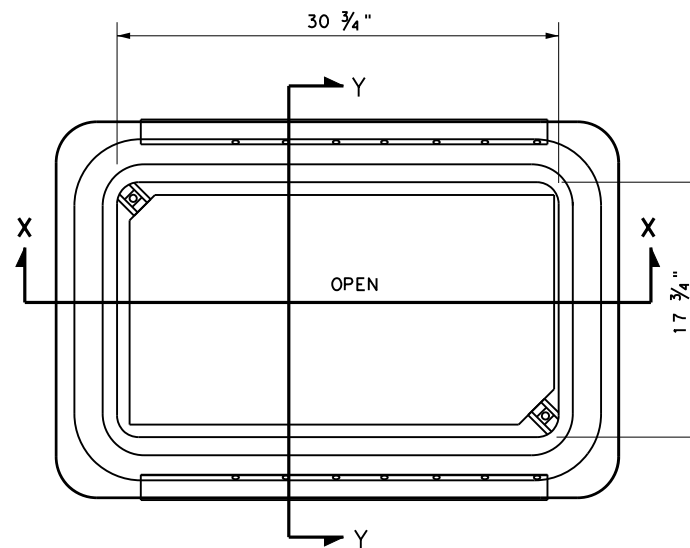
PLAN VIEW



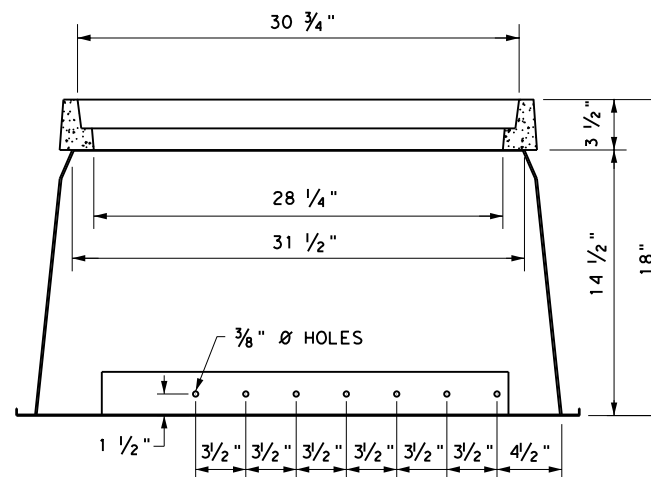
SECTION A - A

APRON FOR BATTERY BOX GROUND BOXES

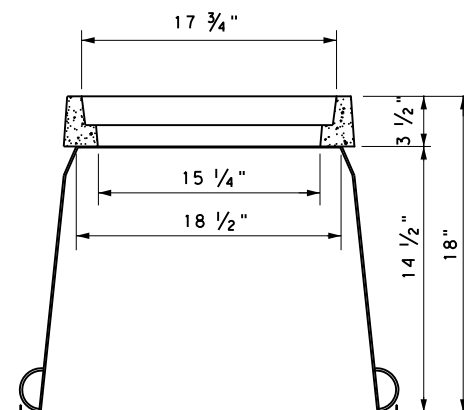
- ① Place aggregate under the box and not in the box. Aggregate should not encroach on the interior volume of the box.
- ② Install bushing or bell end fitting on the upper end of all ells.
- ③ Install all conduits in a neat and workmanlike manner.



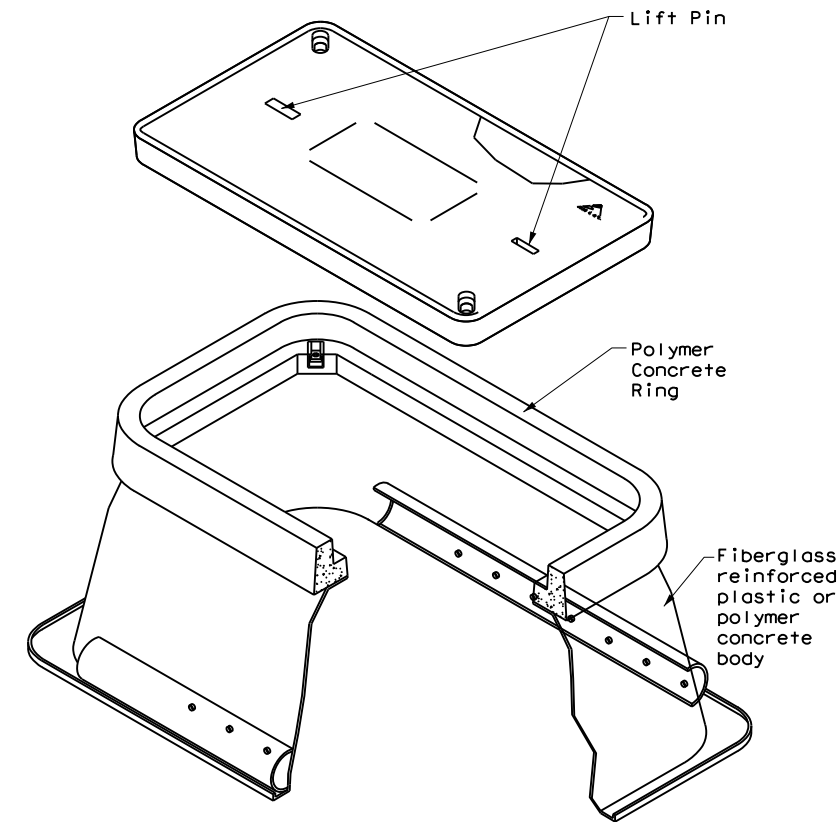
BATTERY BOX TOP VIEW



SECTION X-X



SECTION Y-Y



		Traffic Operations Division Standard	
ELECTRICAL DETAILS BATTERY BOX GROUND BOXES			
ED(12)-14			
FILE: ed12-14.dgn	DN: TxDOT	CK: TxDOT	DW: TxDOT
© TxDOT October 2014	CONT	SECT	JOB
REVISIONS	0915 00	253	HIGHWAY
DIST	COUNTY	SHEET NO.	
SAT	BEXAR	78	

ROADWAY ILLUMINATION ASSEMBLY NOTES

DISCLAIMER: The use of this standard is governed by the "Texas Engineering Practice Act". No warranty of any kind is made by TxDOT for any purpose whatsoever. TxDOT assumes no responsibility for the conversion of units or for the accuracy of the information contained herein. The user of this standard is advised to consult the Texas Engineering Practice Act for more information.

1. Details apply to roadway lighting installations bid or referenced under Item 610, "Roadway Illumination Assemblies." Provide, furnish, and install all other materials not shown on the plans which may be necessary for complete and proper construction. Where manufacturers provide warranties or guarantees as a customary trade practice, furnish to the State such warranties or guarantees.
2. The locations of poles and fixtures may be shifted by the Engineer to accommodate local conditions. Install or remove poles and luminaires located near overhead electrical lines using established industry and utility safety practices and in accordance with laws governing such work. Consult with the appropriate utility company prior to beginning such work.
3. Provide new and unused materials. Ensure that all materials and installations comply with the applicable articles of the National Electrical Code (NEC), TxDOT standards and specifications, National Electrical Manufacturers Association (NEMA), and are listed by Underwriters Laboratories (UL) or a Nationally Recognized Testing Lab (NRTL). NRTLs such as Canadian Standard Association, Intertek Testing Services NA Inc., or FM Approvals LLC can be considered equivalent to UL. Faulty fabrication or poor workmanship in any material, equipment, or installation is justification for rejection.
4. Provide Roadway Illumination Light Fixtures as per TxDOT Departmental Material Specification (DMS) 11010, Item 610, and as shown on the Material Producers List (MPL) for Roadway Illumination and Electrical Supplies.
5. Fabricate steel roadway illumination poles in accordance with Roadway Illumination Poles (RIP) standards and Item 610. Poles fabricated according to RIP standards do not require shop drawing submittals.
 - a. Alternate designs to RIP standards or the use of aluminum to fabricate poles will require the submission of shop drawings electronically. For instructions on submitting shop drawings electronically see "Guide to Electronic Shop Drawing Submittal" on the TxDOT web site.
 - b. Limitations on use of the RIP standard: The RIP standard details were developed for installations in locations where the 3-second gust basic maximum wind speed is 110 mph, and where the elevation of the base of the pole is less than (i.e. not more than) 25' above the elevation of the surrounding terrain, in accordance with the "AASHTO Standard Specifications for Structural Supports for Highway Signs, Luminaires and Traffic Signals," 6th Edition (2013) of the AASHTO Design Specifications. For poles to be installed in regions where the maximum basic wind speed exceeds 110 mph or to be mounted more than 25' above the surrounding terrain, provide poles meeting the following requirements:
 - i. Submittals. Following the electronic shop drawing submittal process (see Guide to Electronic Shop Drawing Submittal on the TxDOT web site), submit to the Engineer for approval fabrication drawings and calculations for the poles, sealed by a Texas licensed professional engineer (P.E.).
 - ii. Luminaire Structural Support Requirements. Provide light poles, arms, and anchor bolt assemblies with a 25 year design life to safely resist dead loads, ice loads and the required basic wind speeds at the location of installation in accordance with the 6th edition (2013) of the AASHTO Design Specifications. For transformer base poles, include transformer base and connecting hardware in calculations and shop drawing submittals. Structurally test all transformer bases to resist the theoretical plastic moment capacity of the pole. Submit certification of the plastic moment load test and FHWA breakaway requirement test of the model of base being furnished with the shop drawings. Show breakaway base model number, manufacturer's name, and logo on shop drawings. Include on manufacturer's shop drawings the ASTM designations for all materials to be used.
6. For both transformer and shoe-base type illumination poles, provide and install double-pole breakaway fuse holders as specified by DMS-11040. Breakaway fuse holders are listed on the MPL for Roadway Illumination and Electrical Supplies under Items 610 & 620. Provide 10 amp time delay fuses for breakaway connectors in light poles, or inside the light fixture for underpass luminaires. In each pole, connect luminaires to the breakaway connector with continuous stranded 12 AWG copper conductors as listed on the MPL. Bond all equipment grounding conductors together and to the ground lug in the transformer base or hand hole.
7. Tighten anchor bolts for shoe base, concrete traffic barrier base, and bridge mount roadway illumination poles, in accordance with Item 449.
8. Install T-Base with following procedure:
 - a. Anchor Bolt Tightening.
 - i. Coat the threads of the anchor bolts with electrically conductive lubricant.
 - ii. Place the T-base over the anchor bolts. Foundation must be level and flat. The maximum permissible gap under any one corner of the t-base is 1/8" before nuts are tightened.
 - iii. Coat the bearing surfaces of the nuts and washers with electrically conductive lubricant. Install (1) 1/2" hold down washer, (1) lock washer, and (1) nut on each anchor bolt. Turn the nuts onto the bolts so that each is hand-tight against the washer.
 - iv. Using a torque wrench, tighten each nut to 150 ft-lb. Uniform contact is required between the foundation and the T-base in the corner regions of the T-base, and all corner gaps must be closed after applying torque. If a gap still exists after torquing to 150 ft-lbs, continue torquing each bolt incrementally until gap is closed or maximum allowable torque of 250 ft. pound is reached, whichever comes first. If 250 ft-lbs is not enough to close the gap the foundation must be leveled. Gaps along the straight sides of the T-bases and the foundation are permissible. Ensure that no high point of contact occurs between the straight sides of the T-base and the foundation.
 - v. Check top of T-base for level. If not level then foundation must be leveled.
 - b. Top Bolt Procedure
 - i. Erect pole over T-base with crane. Coat bolts, nuts, washers, and lock washers with electrically conductive lubricant.

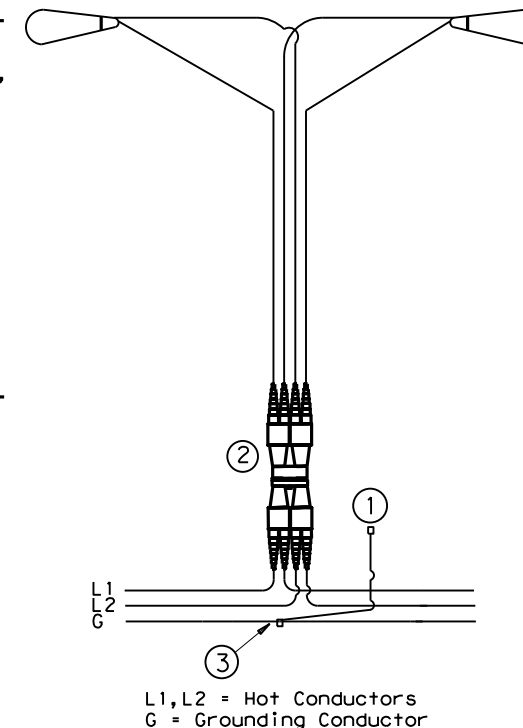
- ii. Install bolts and 1/2" connecting washers from the inside of the T-base, thread up through the pole base. Install flat washers, lock washers and nuts snug tight according to Item 447, "Structural Bolting."
 - iii. Tighten each nut to 150 ft-lb. using a torque wrench.
- c. Level and Plumb
- i. Ensure pole is plumb and mast arm is perpendicular to the roadway according to plans to within 5 degrees.
9. Construct luminaire pole foundations in accordance with Item 416, "Drilled Shaft Foundations," and TxDOT standard sheet RID(2).
 10. Provide and install underpass luminaires in accordance with Item 610, DMS-11010, and TxDOT standard sheet RID(3). Typical luminaire size for underpass luminaires is 150W HPS or 150W EQ LED.
 11. Mount luminaires on arms level as shown by the luminaire level indicator.
 12. Orient luminaires perpendicular to the roadway intended to be lit unless otherwise shown on the plans.

Wiring Diagram Notes:

- ① Use 1/2 in. -13 UNC threaded, copper or tin-plated copper, pole bonding connector, sized appropriately for conductors, bonded to T-base, or use ground lug in handhole as available.
- ② Use pre-qualified two-pole breakaway connectors for all luminaire pole installations. For luminaires fed by a circuit with a neutral conductor, use double pole breakaway connectors with the neutral side unfused and marked white.
- ③ Split Bolt or other connector.

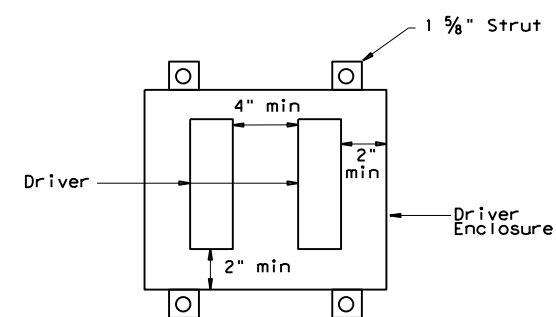
Decorative LED Lighting Notes:

1. LED Drivers in Remote Outdoor enclosures (for drivers that do not include an enclosure as part of a factory assembly):
 - a. Provide NEMA 3R outdoor enclosure or as approved.
 - b. Install enclosure at least 12" above ground or other horizontal surface. Mount vertically or on ceiling, and avoid direct sun where possible.
 - c. Install drivers with at least 2 inches of space from enclosure walls.
 - d. For multiple drivers in an enclosure, provide at least 4 inches side to side and 1 inch end to end from other drivers or electronic equipment
 - e. For drivers mounted on back wall of enclosure, mount enclosure on 1 5/8" strut or other standoff to dissipate heat, or mount driver to side of the enclosure or to the metal cover.
 - f. Provide remote drivers with a maximum of 100 watts
 - g. Provide drivers with documentation of 100,000 hr lifetime at Tcase of 65C or higher.



TYPICAL WIRING DIAGRAM

LUMINAIRES SERVED AT 480V ON 240/480 VOLT SERVICE OR LUMINAIRES SERVED AT 240V FOR 120/240 VOLT SERVICE.

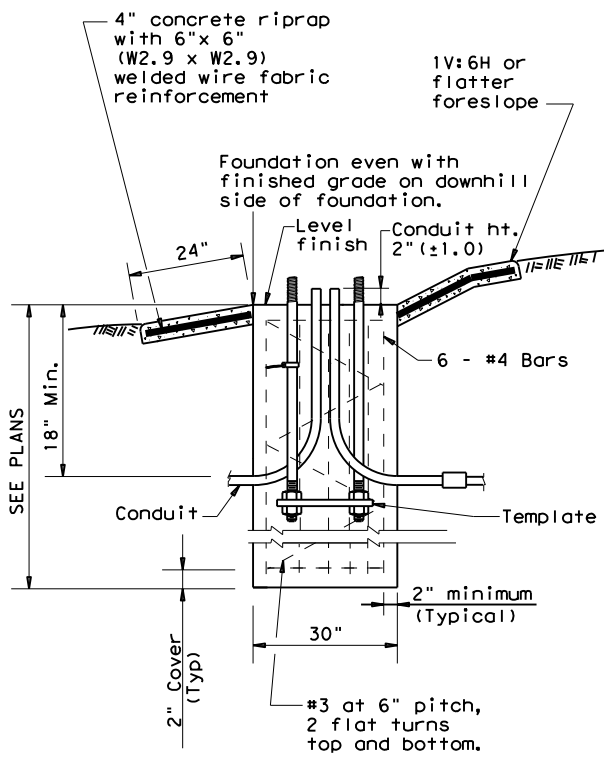


Driver Spacing In Remote Enclosure

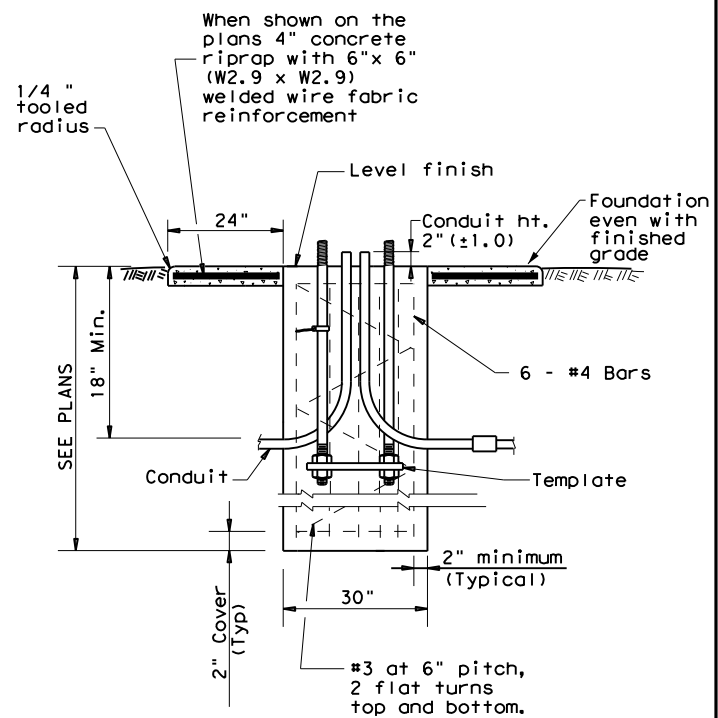
		Traffic Safety Division Standard	
<h3>ROADWAY ILLUMINATION DETAILS</h3> <h2>RID(1)-20</h2>			
FILE:	rid1-20.dgn	DN:	CK:
© TxDOT	January 2007	CONT	SECT
REVISIONS		JOB	HIGHWAY
7-17	0915 00	253	VARIOUS
12-20	SAT	BEXAR	79

DISCLAIMER: The use of this standard is governed by the "Texas Engineering Practice Act". No warranty of any kind is made by TxDOT for any purpose whatsoever. TxDOT assumes no responsibility for the conversion of units or for the use of the standard in any other manner than that intended by its use.

DATE: 10/17/2022 1:55:07 PM
 FILE: I:\Traffic\Design\District PS&E Tracking\Plan_Review\Bexar\0915-00-255\TID\12-20-2022\RID(2)-20.dgn



SECTION A-A
SHOWING SLOPED GRADE



SECTION A-A
SHOWING CONSTANT GRADE

TABLE 1
ANCHOR BOLTS

POLE MOUNTING HEIGHT	BOLT CIRCLE		ANCHOR BOLT SIZE
	Shoe Base	T-Base	
<40 ft.	13 in.	14 in.	1 in. x 30 in.
40-50 ft.	15 in.	17 1/4 in.	1 1/4 in. x 30 in.

TABLE 2
RECOMMENDED FOUNDATION LENGTHS
(See note 1)

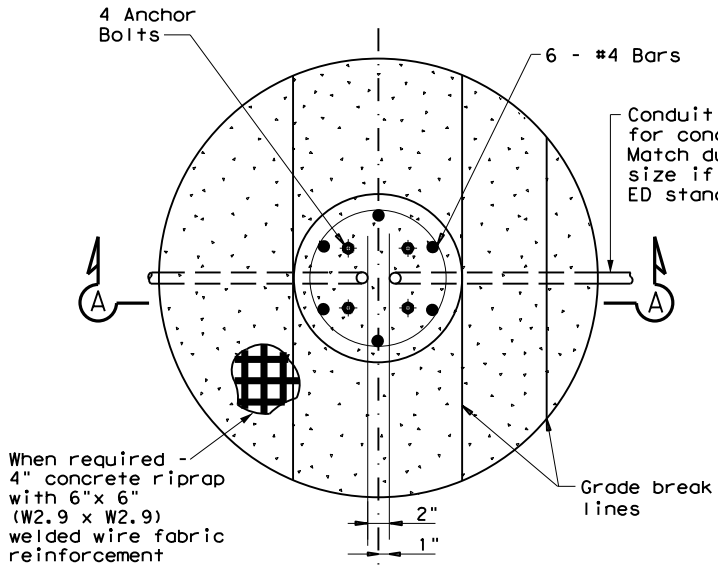
MOUNTING HEIGHT	TEXAS CONE PENETROMETER N Blows/ft		
	10	15	40
≤20 ft.	6'	6'	6'
>20 ft. to 30 ft.	8'	6'	6'
>30 ft. to 40 ft.	8'	8'	6'
>40 ft. to 50 ft.	10'	8'	6'

TABLE 3
PAY QUANTITY OF RIPRAP PER FOUNDATION
(Install only when shown on the plans)

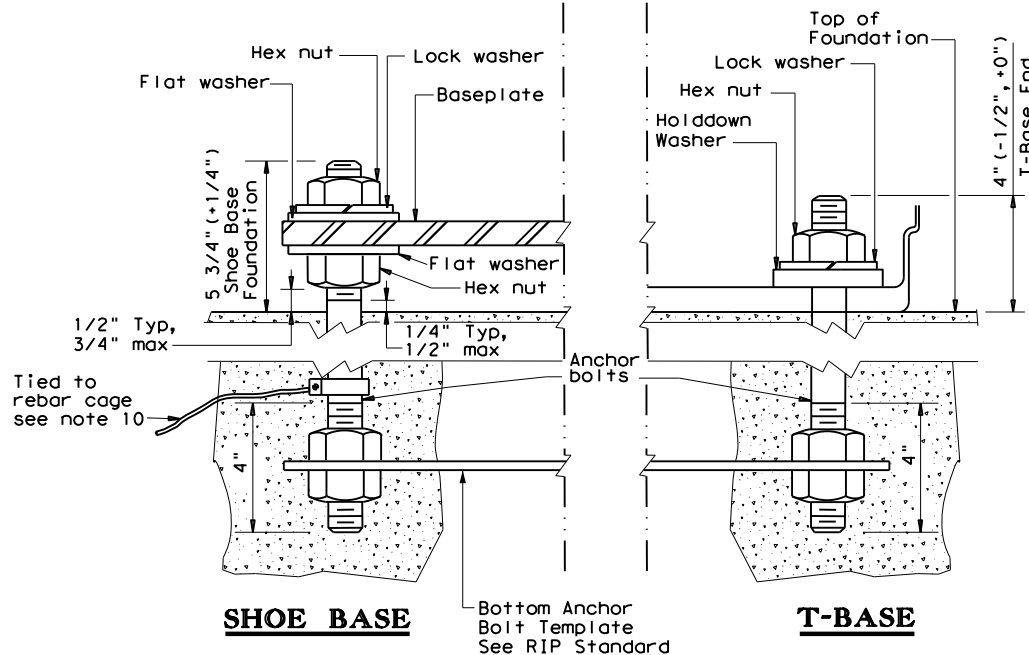
Foundation Diameter	RIPRAP DIAMETER	RIPRAP (CONC) (CL B)
30 in.	78 in.	0.35 CY

GENERAL NOTES:

1. "Recommended Foundation Lengths" table is for information purposes only. Foundation lengths shall be as shown on the plans, or as directed by the Engineer. Foundations will be paid for under Item 416, "Drilled Shaft Foundations," unless otherwise shown on the plans.
2. Erect roadway illumination assembly poles plumb and true. Form and level the top 6" of the foundation so the pole will be plumb. Use leveling nuts to plumb shoe base poles. Do not use shims or leveling nuts under transformer bases. Do not grout between baseplate and the foundation.
3. Ensure Class 2A and 2B fit for anchor bolts and nuts. Tap and chase nuts after galvanizing. Anchor bolt body with rolled threads need not be full size.
4. Use appropriate class of concrete as specified in Items 416 and 432. Concrete for riprap may be upgraded to Class C at no extra cost to the Department.
5. Place riprap around the foundation when called for elsewhere in the plans. Riprap will be paid for under Item 432.
6. Locate breakaway roadway illumination assemblies as shown in the placement table, unless otherwise dimensioned on the plans. Protect non-breakaway illumination assemblies from vehicular impact (i.e. 2.5 ft. behind guard rail or mounted on traffic barrier), or located outside the clear zone, except that 2.5 ft. from curb face is minimum desired for light poles on city streets, 45 mph or less. See Roadway Design Manual for further information.
7. Use 4 hold down and 4 connecting washers on transformer base poles as recommended by the manufacturer and supplied with base.
8. Install a minimum of 2 conduits in each foundation. See lighting layout sheets for locations of foundations with more than 2 conduits. Cap unused conduits in foundations on both ends.
9. Conduit location in foundations is critical for breakaway devices. Place conduits 2 in. apart on centerline as shown.
10. Bond anchor bolt to rebar cage with #6 bare stranded copper conductor. Use listed mechanical connectors rated for embedment in concrete. The bonded steel in the foundation creates a concrete encased grounding electrode which replaces the ground rod.
11. Grade earthwork around T-base foundations even with the finished grade as shown in Section A-A to ensure proper function of the breakaway device. Use riprap on T-base foundations that are located on sloped grades, and as shown on the plans for level grades.



FOUNDATION DETAIL



ANCHOR BOLT DETAIL

TABLE 4
BREAKAWAY POLE PLACEMENT (See note 6)

ROADWAY FUNCTIONAL CLASSIFICATION	** POLE OFFSET (DISTANCE TO FACE OF TRANSFORMER BASE)
Freeway Mainlanes (roadway with full control of access)	15 ft. (minimum and typical) from lane edge
All curbed, 45 mph or less design speed	2.5 ft. minimum (15 ft. desirable) from curb face
All others	10 ft. minimum*(15 ft. desirable) from lane edge

* or as close to ROW line as is practical
 ** provide 2/5 of the luminaire mounting height behind the pole for "falling area" to prevent encroachment on the other travel lanes. See design guidelines.

Texas Department of Transportation
 Traffic Safety Division Standard

ROADWAY ILLUMINATION DETAILS (RDWY ILLUM FOUNDATIONS)
RID(2)-20

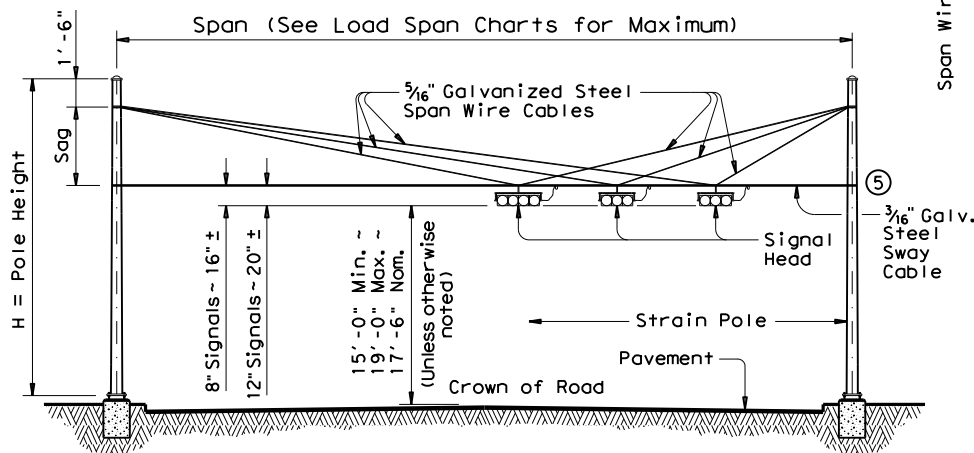
FILE: rid2-20.dgn	DN:	CK:	DW:	CK:
© TxDOT January 2007	CONT	SECT	JOB	HIGHWAY
REVISIONS	0915 00		253	VARIOUS
1-11	DIST	COUNTY		SHEET NO.
7-17	SAT	BEXAR		80
12-20				

DISCLAIMER: The use of this standard is governed by the "Texas Engineering Practice Act". No warranty of any kind is made by TxDOT for any purpose whatsoever. TxDOT assumes no responsibility for the conversion of this standard to other formats or for incorrect results or damages resulting from its use.

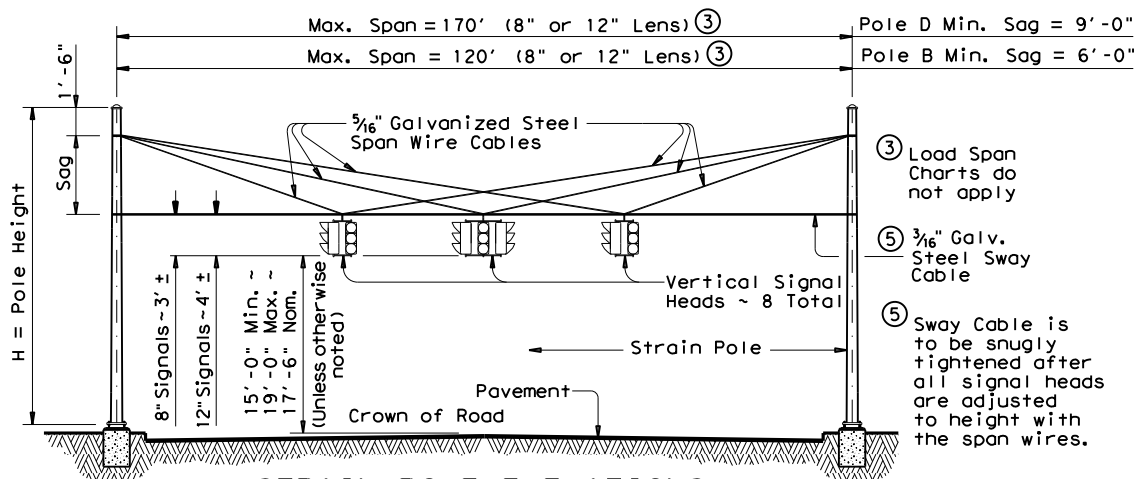
DATE: 10/17/2022 1:55:07 PM
 FILE: I:\Traffic\Design\District PS&E Tracking\Plan_Review\Bexar\0915-00-253 (Districtwide Non-Site Specific Traffic Signals)\Standards\SP-80\sp80.dgn

STRAIN POLE DESCRIPTION	Pole Type	Found-ation Type	Maximum Permissible Span Wire Load (lbs.)
26' Pole	A	36-A	5200
30' Pole	B	36-A	4600
30' Pole with Lum.	B	36-A	4400
30' Pole with 20' Mast Arm	C	36-B	5600
30' Pole with 24' Mast Arm	C	36-B	5500
30' Pole with 28' Mast Arm	C	36-B	5300
30' Pole with 32' Mast Arm	C	36-B	5100
30' Pole with 36' Mast Arm	C	36-B	4900
30' Pole with 20' Mast Arm & Lum.	C	36-B	5300
30' Pole with 24' Mast Arm & Lum.	C	36-B	5200
30' Pole with 28' Mast Arm & Lum.	C	36-B	5000
30' Pole with 32' Mast Arm & Lum.	C	36-B	4800
30' Pole with 36' Mast Arm & Lum.	C	36-B	4500
34' Pole	D	36-B	5600
34' Pole with Lum.	D	36-B	5400

② Numbers on Load Span Charts indicate the number of signal heads on the span. The total span wire design load is based on one 5-section head and one or more additional 3-section head(s). Design wind pressures on cables are assumed as 1.0 lb/ft. Weight of span wire cables (one per signal head) is assumed as 0.65 lb/ft which includes an allowance for conductor cables and miscellaneous hardware. The effect of the sway cable on load distribution is ignored as it is assumed to break at design wind conditions. When a pole supports 2 spans, the span wire design loads for both spans should be added vectorially to determine the design load for that pole.

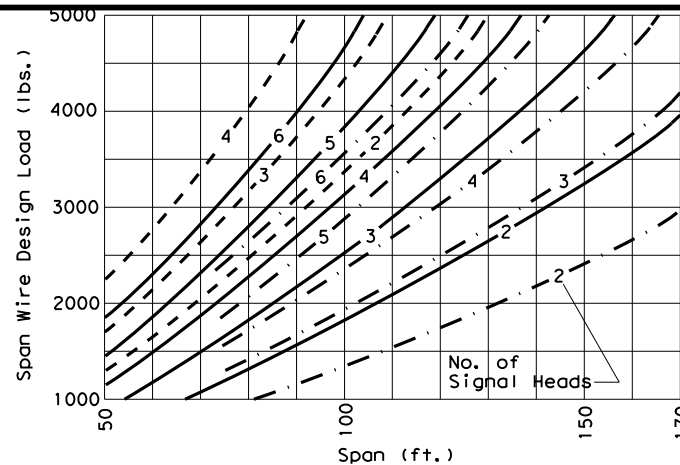


STRAIN POLE ELEVATIONS HORIZONTAL SIGNALS

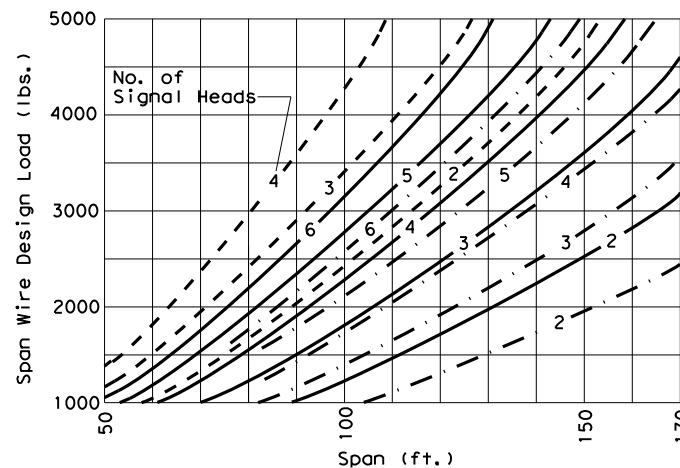


STRAIN POLE ELEVATIONS VERTICAL SIGNALS

(Mast arms are not used with vertical signals)



② SIGNALS WITH 12-INCH LENS



② SIGNALS WITH 8-INCH LENS

Signal Head Type	Wt. Per Head	Wind Area
5-Section, 12" Lens	125 lbs	9.6 sq. ft.
5-Section, 8" Lens	70 lbs	4.8 sq. ft.
3-Section, 12" Lens	75 lbs	5.64 sq. ft.
3-Section, 8" Lens	45 lbs	3.0 sq. ft.

④ Effective projected design wind area (actual area times drag coefficient)

- Sag = 4'-6" (26' or 30' Pole)
- Sag = 8'-0" (30' or 34' Pole)
- - - - - Sag = 11'-6" (34' Pole)

Pole Type	ROUND POLES				POLYGONAL POLES			
	D _B	D _T	(4)thk	H	D _B	D _T	(4)thk	H
A	12.5	8.9	.239	26	13.0	9.0	.239	26
B	13.5	9.3	.239	30	14.0	9.0	.239	30
C	15.5	11.3	.239	30	16.0	11.0	.239	30
D	15.5	10.7	.239	34	16.0	11.0	.239	34

D_B = Pole Base O.D. D_T = Pole Top O.D. H = Pole Height

④ Thickness shown are minimum, thicker materials may be used.

SHIPPING PARTS LIST

Poles (Without Traffic Signal Arm)						
Pole Type	Strain poles with Luminaire			Strain poles without Luminaire		
	Description	Designation	Quantity	Description	Designation	Quantity
A	Ship each pole with the following hardware attached: handhole at base, pole cap, 2 clamp-on simplex and 1 pipe plug.			Ship each pole with the following hardware attached: handhole at base, pole cap and 1 pipe plug.		
B	30' Strain Pole	SPL 30 B-80		30' Strain Pole	SP 30 B-80	
D	34' Strain Pole	SPL 34 D-80		34' Strain Pole	SP 34 D-80	

Poles (With Traffic Signal Arm)						
Pole Type	Strain poles with Luminaire			Strain poles without Luminaire		
	Description	Designation	Quantity	Description	Designation	Quantity
	Ship each pole with the following hardware attached: handhole at base, pole cap, clamp-on simplex and 3 pipe plugs.			Ship each pole with the following hardware attached: handhole at base, pole cap and 3 pipe plugs.		
C	30' SPw/TS Arm	SPL 30 C-80		30' SPw/TS Arm	SP 30 C-80	

Traffic Signal Arms (For Type C poles)						
Nominal Arm Length	Type I Arm (1 Signal)		Type II Arm (2 Signals)		Type III Arm (3 Signals)	
	Description	Quantity	Description	Quantity	Description	Quantity
ft.	Ship each Type I Arm with the following hardware attached: 2 CGB Connectors, 1 clamp with bolts and washers		Ship each Type II Arm with the following hardware attached: 1 Bracket Assembly, 3 CGB Connectors and 1 clamp with bolts and washers		Ship each Type III Arm with the following hardware attached: 2 Bracket Assemblies, 4 CGB Connectors and 1 clamp with bolts and washers	
20	20I-80					
24	24I-80		24 II -80			
28	28I-80		28 II -80			
32			32 II -80		32 III -80	
36			36 II -80		36 III -80	

Anchor Bolt Assemblies (1 per pole)

Anchor Bolt Diameter	Anchor Bolt Length	Quantity
1 3/4"	3'-10"	
2"	4'-3"	

Luminaire Arms

Nominal Arm Length	Quantity
8' Arm	

Each Anchor Bolt Assembly consists of the following: Top and Bottom templates, 4 anchor bolts, 8 nuts, 8 flat washers, and 4 nut anchor devices (Type 2) per Standard Drawing "TS-FD".

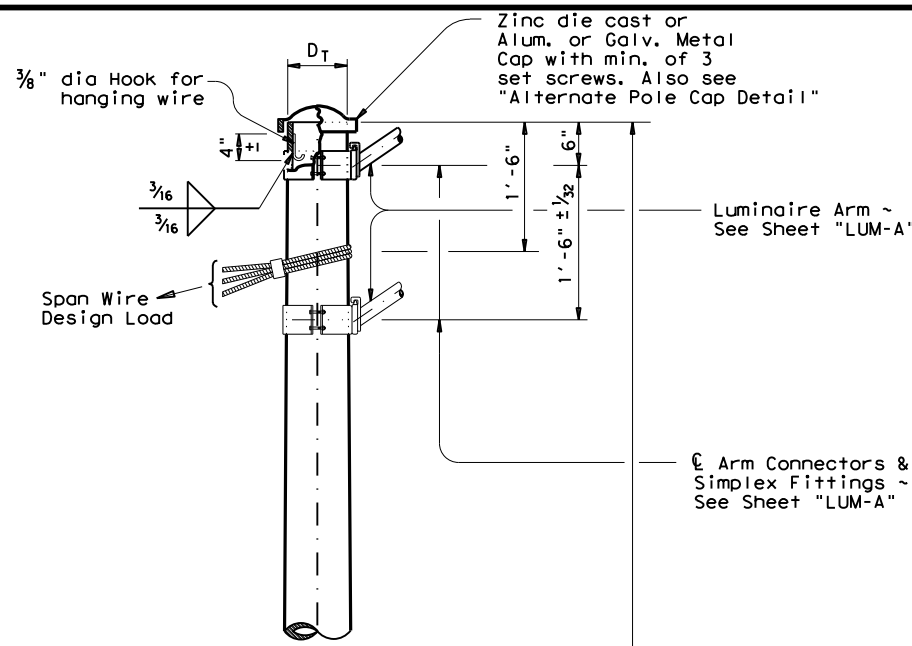
① See Sheet "DMA-80"

Texas Department of Transportation
 Traffic Operations Division
TRAFFIC SIGNAL SUPPORT STRUCTURES STRAIN POLE ASSEMBLIES
 (80 MPH WIND ZONE)
SP-80(1)-12

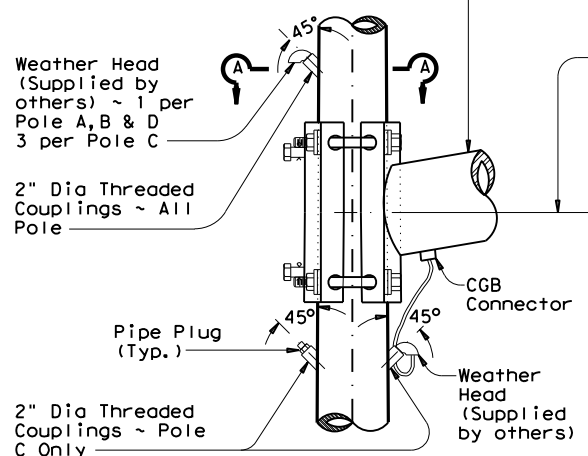
© TxDOT March 1996	DN: MS	CK: JSY	DW: BR	CK: JSY
REVISIONS	CONT	SECT	JOB	HIGHWAY
6-96 1-12	0915	00	253	VARIOUS
	DIST	COUNTY		SHEET NO.
	SAT	BEXAR		81

DISCLAIMER: The use of this standard is governed by the "Texas Engineering Practice Act". No warranty of any kind is made by TxDOT for any purpose whatsoever. TxDOT assumes no responsibility for the conversion of this standard to other formats or for incorrect results or damages resulting from its use.

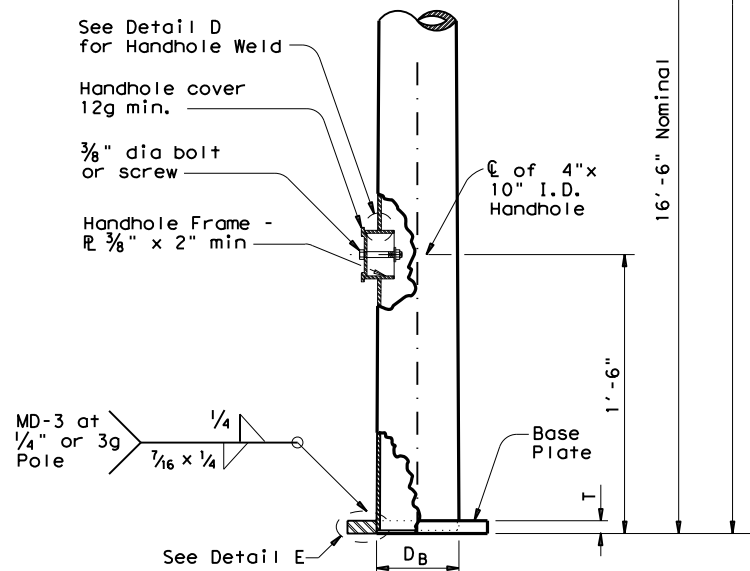
DATE: 10/17/2022 1:55:07 PM
 FILE: I:\Traffic\Design\District PS&E Tracking\Plan Review\Bexar\0915-00-253 (Districtwide Non-Site Specific Traffic Signals)\Standards\SP-80\SP80.dgn



DETAIL A

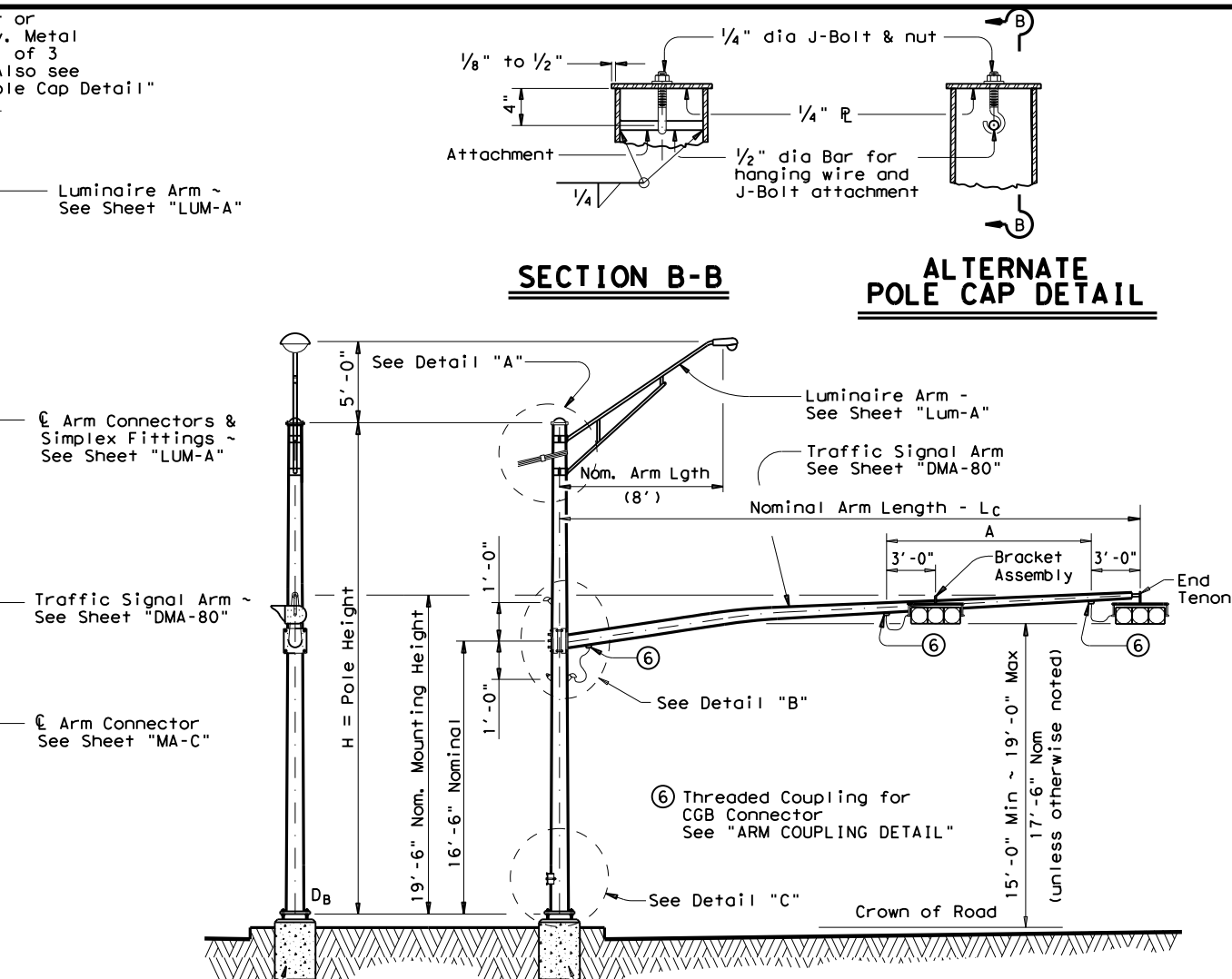


DETAIL B

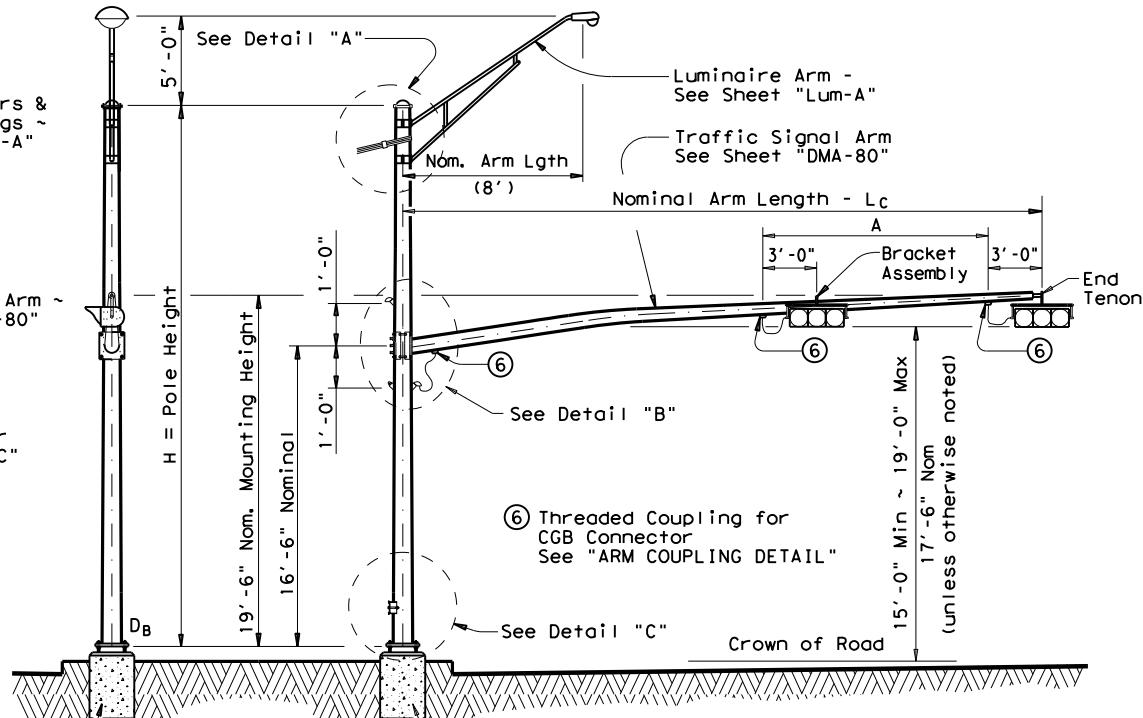


DETAIL C

POLE ELEVATION



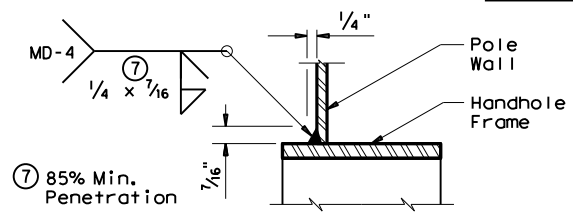
SECTION B-B ALTERNATE POLE CAP DETAIL



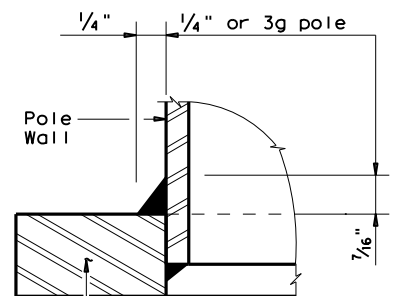
STRUCTURE ASSEMBLY

TABLE OF DIMENSIONS "A"

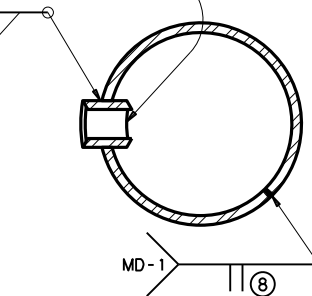
Arm Length	24'	28'	32'	36'
Arm Type II	10'	11'	12'	13'
Arm Type III			10'	11'



DETAIL D

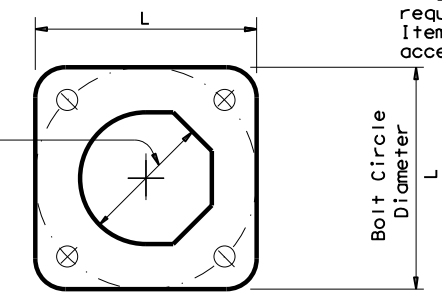


DETAIL E

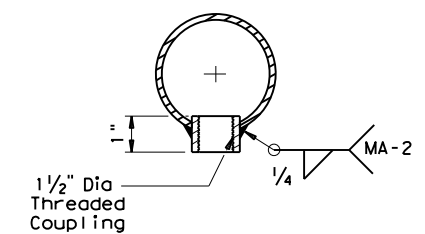


SECTION A-A (Pole Coupling and Seam Weld Details)

⑧ 60% Min. penetration, except 100% penetration within 6" of circumferential base welds.



BASE PLATE PLAN



ARM COUPLING DETAIL

MATERIALS	
Round Shafts or Polygonal Shafts ^⑨	ASTM A595 Gr. A, A588, A1008 HSLAS Gr. 50 Class 2, A1011 HSLAS Gr. 50 Class 2, A572 Gr. 50 or A1011 SS Gr. 50 ^⑩
Plates ^⑨	ASTM A36, A588, or A572 Gr. 50
Connection Bolts	ASTM A325 except where noted
Pin Bolts	ASTM A325
Pipe ^⑨	ASTM A53 Gr. B, A501, A1008 HSLAS-F Gr. 50, A1011 HSLAS-F Gr. 50
Steel Cable	ASTM A475, 7 Wire Utilities Grade
Misc. Hardware	Galvanized steel or stainless steel or as noted

⑨ ASTM A572, A1008 HSLAS, A1011 HSLAS, A1008 HSLAS-F, A1011 HSLAS-F, or A1011 SS may have higher yield strengths but shall not have less elongation than the grade indicated.

⑩ ASTM A1011 SS Gr. 50 shall also have a minimum elongation of 18 percent in 8 inches or 23 percent in 2 inches. Material thickness in excess of those stipulated under A1011 SS will be acceptable providing the material meets all other A1011 SS requirements and the requirements of this item.

GENERAL NOTES

Design conforms to 1994 AASHTO Standard Specifications for Structural Supports for Highway Signs, Luminaires, and Traffic Signals and Interim Specifications thereto. Design Wind Speed equals 80 mph plus a 1.3 gust factor. The maximum permissible span wire design loads tabulated are calculated at a stress load of 1.4 times the basic allowable stress. A simultaneous wind on the pole, mast arm, and luminaire is also included.

See standard sheet "DMA-80" for details of clamp-on traffic signal arms, sheet "MA-C" for traffic signal arm connection details, sheet "LUM-A" for luminaire arm and connection details, and sheet "TS-FD" for anchor bolt and foundation details.

Fabrication shall be in accordance with Item 686, "Traffic Signal Pole Assemblies (Steel)" and with the details, dimensions, and weld procedures shown herein. Weld references call for preapproved weld procedures which the Fabricator must obtain prior to fabrication. Materials, fabrication tolerances, and shipping practices shall meet the requirements of this sheet and Item 686, "Traffic Signal Pole Assemblies (Steel)".

Unless otherwise noted, all parts shall be galvanized in accordance with Item 445, "Galvanizing", after fabrication.

Deviation from the details and dimensions shown herein require submission of shop drawings in accordance with Item 441, "Steel Structures". Alternate designs are not acceptable.

Foundation Type	Anchor Bolt Diameter	Bolt Hole Diameter	Bolt Circle Diameter	Base Pl. Dim. L x T
36-A	1 3/4"	2"	19"	19" x 1 3/4"
36-B	2"	2 1/4"	21"	21" x 2"

Texas Department of Transportation
 Traffic Operations Division
TRAFFIC SIGNAL SUPPORT STRUCTURES STRAIN POLE ASSEMBLIES (80 MPH WIND ZONE)
SP-80(2)-12

© TxDOT March 1996	DN: MS	CK: JSY	DW: BR	CK: JSY
6-96 1-12	REVISIONS	CONTRACT NO. 0915 00	JOB NO. 253	HIGHWAY VARIOUS
		DIST. SAT	COUNTY BEXAR	SHEET NO. 82

DISCLAIMER: The use of this standard is governed by the "Texas Engineering Practice Act". No warranty of any kind is made by TxDOT for any purpose whatsoever. TxDOT assumes no responsibility for the conversion of this standard to other formats or for incorrect results or damages resulting from its use.

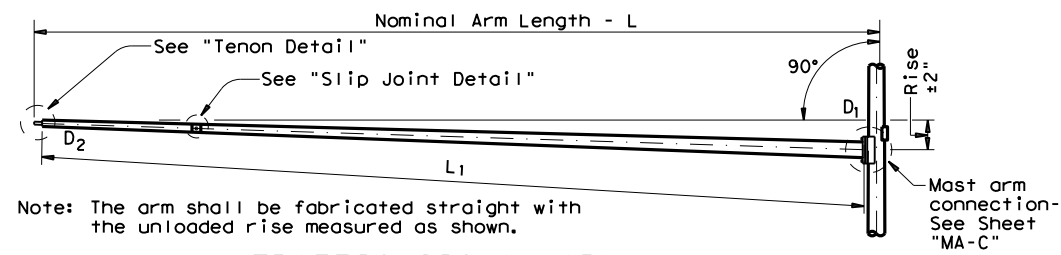
DATE: 10/17/2022 1:55:08 PM
 FILE: I:\Traffic\Design\District PS&E Tracking\Plan_Review\Bexar\0915-00-253 (Districtwide Non-Site Specific Traffic Signals)\SMA-80_sma-80.dgn

Arm Length	ROUND POLES					POLYGONAL POLES					Foundation Type
	D _B	D ₁₉	D ₂₄	D ₃₀	① thk	D _B	D ₁₉	D ₂₄	D ₃₀	① thk	
ft.	in.	in.	in.	in.	in.	in.	in.	in.	in.	in.	
20	10.5	7.8	7.1	6.3	.179	11.5	8.5	7.7	6.8	.179	30-A
24	11.0	8.3	7.6	6.8	.179	12.0	9.0	8.2	7.3	.179	30-A
28	11.5	8.8	8.1	7.3	.179	12.5	9.5	8.7	7.8	.179	30-A
32	12.5	9.8	9.1	8.3	.179	12.0	9.0	8.2	7.3	.239	30-A
36	12.0	9.3	8.6	7.8	.239	12.5	9.5	8.7	7.8	.239	36-A
40	12.0	9.3	8.6	7.8	.239	13.5	10.5	9.7	8.8	.239	36-A
44	12.5	9.8	9.1	8.3	.239	14.0	11.0	10.2	9.3	.239	36-A
48	13.0	10.3	9.6	8.8	.239	15.0	12.0	11.2	10.3	.239	36-A

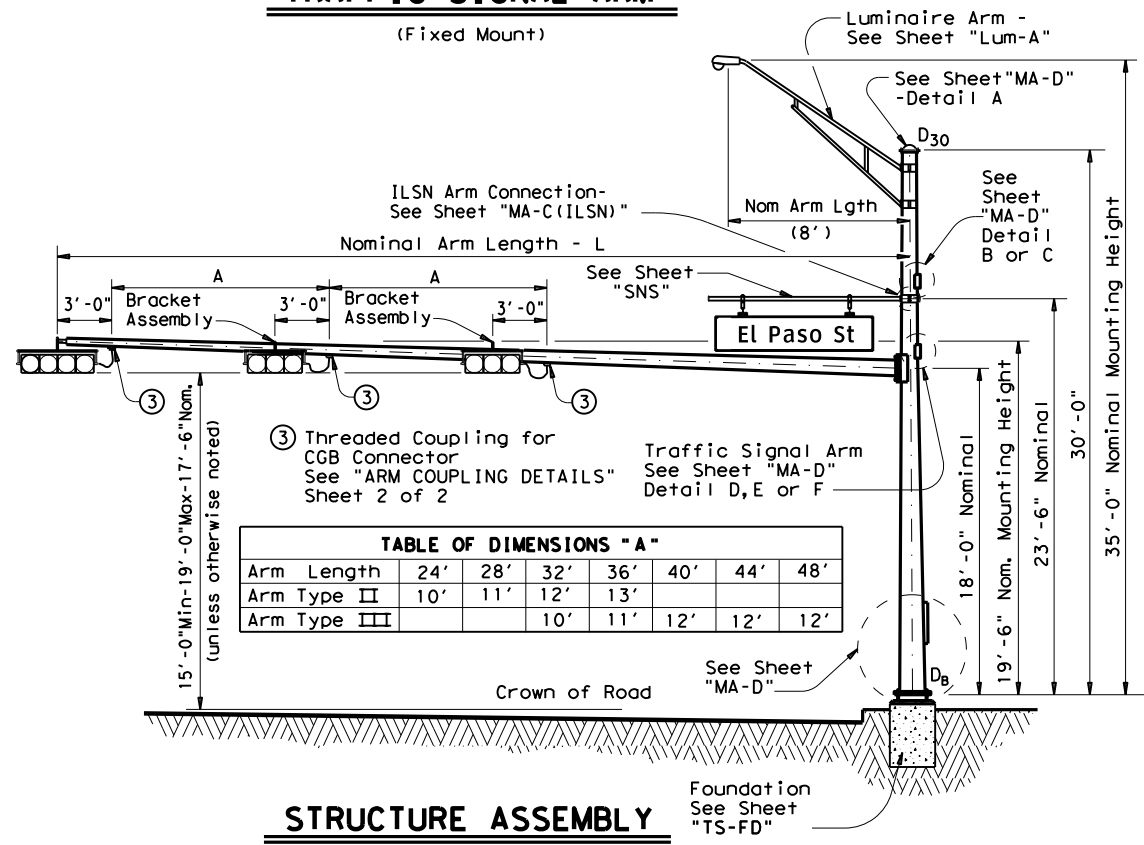
Arm Length	ROUND ARMS					POLYGONAL ARMS				
	L ₁	D ₁	D ₂	① thk	Rise	L ₁	D ₁	② D ₂	① thk	Rise
ft.	ft.	in.	in.	in.		ft.	in.	in.	in.	
20	19.1	6.5	3.8	.179	1'-9"	19.1	7.0	3.5	.179	1'-8"
24	23.1	7.5	4.3	.179	1'-10"	23.1	7.5	3.5	.179	1'-9"
28	27.1	8.0	4.2	.179	1'-11"	27.1	8.0	3.5	.179	1'-10"
32	31.0	9.0	4.7	.179	2'-1"	31.0	9.0	3.5	.179	2'-0"
36	35.0	9.5	4.6	.179	2'-4"	35.0	10.0	3.5	.179	2'-1"
40	39.0	9.5	4.1	.239	2'-8"	39.0	9.5	3.5	.239	2'-3"
44	43.0	10.0	4.1	.239	2'-11"	43.0	10.0	3.5	.239	2'-6"
48	47.0	10.5	4.1	.239	3'-4"	47.0	11.0	3.5	.239	2'-9"

D_B = Pole Base O.D.
 D₁₉ = Pole Top O.D. with no Luminaire and no ILSN
 D₂₄ = Pole Top O.D. with ILSN w/out Luminaire
 D₃₀ = Pole Top O.D. with Luminaire
 D₁ = Arm Base O.D.
 D₂ = Arm End O.D.
 L₁ = Shaft Length
 L = Nominal Arm Length

- ① Thickness shown are minimums, thicker materials may be used.
- ② D₂ may be increased by up to 1" for polygonal arms.



TRAFFIC SIGNAL ARM
(Fixed Mount)



③ Threaded Coupling for CGB Connector See "ARM COUPLING DETAILS" Sheet 2 of 2

Arm Length	24'	28'	32'	36'	40'	44'	48'
Arm Type II	10'	11'	12'	13'			
Arm Type III			10'	11'	12'	12'	12'

SHIPPING PARTS LIST

Ship each pole with the following attached: enlarged hand hole, pole cap, fixed-arm connection bolts and washers and any additional hardware listed in the table.

Nominal Arm Length	30' Poles With Luminaire		24' Poles With ILSN		19' Poles With No Luminaire and No ILSN	
	Designation	Quantity	Designation	Quantity	Designation	Quantity
ft	Above hardware plus: One (or two if ILSN attached) small hand hole, clamp-on simplex		Above hardware plus one small hand hole		See note above	
20	20L-80		20S-80		20-80	
24	24L-80		24S-80		24-80	
28	28L-80		28S-80		28-80	
32	32L-80		32S-80		32-80	
36	36L-80		36S-80		36-80	
40	40L-80		40S-80		40-80	
44	44L-80		44S-80		44-80	
48	48L-80		48S-80		48-80	

Traffic Signal Arms (1 per Pole) Ship each arm with the listed equipment attached

Nominal Arm Length	Type I Arm (1 Signal)		Type II Arm (2 Signals)		Type III Arm (3 Signals)	
	Designation	Quantity	Designation	Quantity	Designation	Quantity
ft	1 CGB connector		1 Bracket Assembly and 2 CGB Connectors		2 Bracket Assemblies and 3 CGB Connectors	
20	20I-80					
24	24I-80		24II-80			
28	28I-80		28II-80			
32			32II-80		32III-80	
36			36II-80		36III-80	
40					40III-80	
44					44III-80	
48					48III-80	

Luminaire Arms (1 per 30' pole)

Nominal Arm Length	Quantity
8' Arm	

ILSN Arm (Max. 2 per pole) Ship with clamps, bolts and washers

Nominal Arm Length	Quantity
7' Arm	
9' Arm	

Anchor Bolt Assemblies (1 per pole)

Anchor Bolt Diameter	Anchor Bolt Length	Quantity
1 1/2"	3'-4"	
1 3/4"	3'-10"	

Each anchor bolt assembly consists of the following: Top and Bottom templates, 4 anchor bolts, 8 nuts, 8 flat washers, and 4 nut anchor devices (Type 2) per Standard Drawing "TS-FD".

Templates may be removed for shipment.

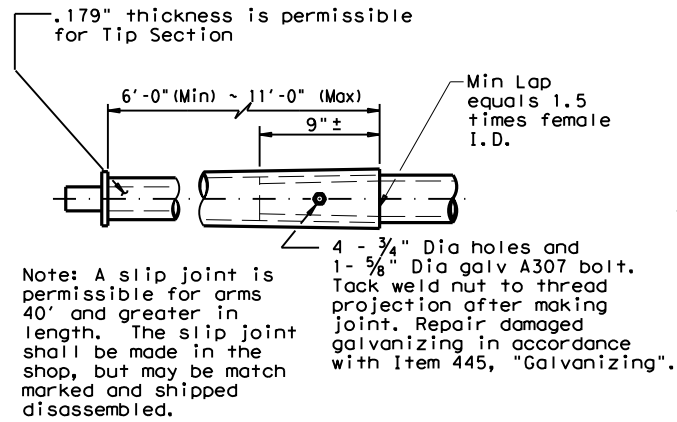
TRAFFIC SIGNAL SUPPORT STRUCTURES
SINGLE MAST ARM ASSEMBLY
(80 MPH WIND ZONE)
SMA-80(1)-12

© TxDOT August 1995		DN: MS	CK: JSY	DW: MMF	CK: JSY
REVISIONS					
5-96	CON	SECT	JOB	HIGHWAY	
11-99	0915	00	253	VARIOUS	
1-12	DIST	COUNTY		SHEET NO.	
	SAT	BEXAR		83	

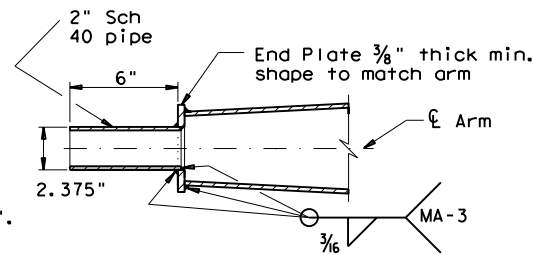
DISCLAIMER: The use of this standard is governed by the "Texas Engineering Practice Act". No warranty of any kind is made by TxDOT for any purpose whatsoever. TxDOT assumes no responsibility for the conversion of this standard to other formats or for incorrect results or damages resulting from its use.

DISCLAIMER: The use of this standard is governed by the "Texas Engineering Practice Act". No warranty of any kind is made by TxDOT for any purpose whatsoever. TxDOT assumes no responsibility for the conversion of this standard to other formats or for incorrect results or damages resulting from its use.

DATE: 10/17/2022 1:55:08 PM
 FILE: I:\Traffic\Design\District PS&E Tracking\Plan_Review\Bexar\0915-00-253 (Districtwide Non-Site Specific Traffic Signals)\SMA-80.sma-80.dgn



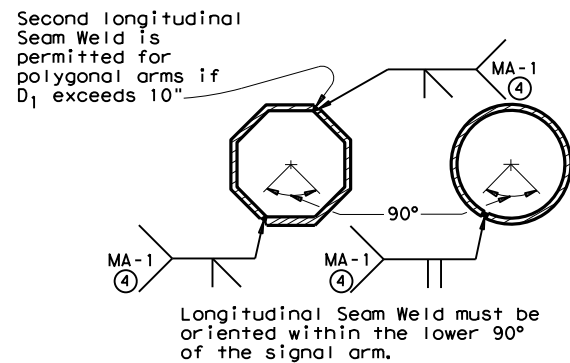
SLIP JOINT DETAIL



TENON DETAIL

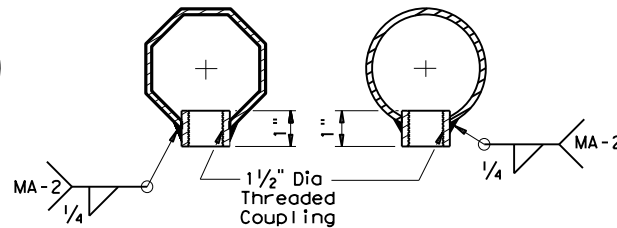
Stainless steel bands (or Cables) and cast bracket as in "Astro-Brac", "Sky Bracket" or "Easy Bracket" with 1 1/2" Dia Threaded Coupling.

BRACKET ASSEMBLY



ARM WELD DETAIL

④ 60% Min. penetration
 100% penetration within 6" of circumferential base welds.



ARM COUPLING DETAILS

VIBRATION WARNING

Mast Arms of SMA and DMA structures and clamp-on Arms of LMA structures of approximately 40 ft or longer are subject to harmonic vertical vibrations in light wind conditions due to the aeroelastic characteristics of a few of the myriads of possible combinations of the following: signal numbers, weights and positions; existence/solidity of backplates; presence of additional attachments to the arm, such as signs and cameras; arm-wind orientation; and arm-pole stiffness.

Such vibrations may cause fatigue damage to the structure and may lead to galloping in moderate wind conditions which may further damage the structure and alarm the public. Tests have indicated that when wind is blowing toward the back side of signal heads having un-vented backplates attached the probability of unacceptable harmonic vibration and/or galloping is rather high.

If backplates are not required for improved visibility they should not be applied to the signal heads or, if they must be applied, they should be vented as a first and inexpensive measure to mitigate vibrations.

The traffic signal mast arms shall be visually inspected in 5 to 20 mph wind conditions after installation of signal heads and any attachments, including any required backplates. If vertical movements with a total excursion (maximum upward excursion to maximum downward excursion) of more than approximately 8" are observed at the arm tip, a damping plate shall be fitted to the arm. See "Damping Plate Mounting Details" on standard sheet, MA-DP-10.

This visual inspection shall be repeated after each modification of the structure that could affect its aeroelastic response. Excessive vibrations shall not be allowed to continue for more than two days.

GENERAL NOTES:

Design conforms to 1994 AASHTO Standard Specifications for Structural Supports for Highway Signs, Luminaires, and Traffic Signals and Interim Specifications thereto. Design Wind Speed equals 80 mph plus a 1.3 gust factor.

Poles are designed to support one 8'-0" luminaire arm, one 9'-0" internally lighted street name sign and one traffic signal arm with a length as tabulated. The specified luminaire load applied at the end of the luminaire arm equals 60 lbs vertical dead load plus the horizontal wind load on an effective projected area of 1.6 sq ft. The specified internally lighted street name sign load applied 4.5 ft from the centerline of the pole equals 85 lbs vertical dead load plus horizontal wind load on an effective projected area of 11.5 sq ft. The specified signal load applied at the end of the traffic signal arm equals 180 lbs vertical dead load plus the horizontal wind load on an effective projected area of 32.4 sq ft (actual area times drag coefficient).

See Standard Sheet "MA-D" for pole details, "MA-C" for traffic signal arm connection details, "MA-C (ILSN)" for internally lighted street name sign arm connection details, "LUM-A" for luminaire arm and connection details, "SNS" for internally lighted street name sign details, and "TS-FD" for anchor bolt and foundation details. See "MA-C" for material specifications.

Fabrication shall be in accordance with Item 686, "Traffic Signal Pole Assemblies (Steel)" and with the details, dimensions, and weld procedures shown herein. Weld references call for preapproved weld procedures which the Fabricator must obtain prior to fabrication. Materials, fabrication tolerances, and shipping practices shall meet the requirements of this sheet and Item 686, "Traffic Signal Pole Assemblies (Steel)".

Unless otherwise noted, all parts shall be galvanized in accordance with Item 445, "Galvanizing", after fabrication.

Deviation from the details and dimensions shown herein require submission of shop drawings in accordance with Item 441, "Steel Structures". Alternate designs are not acceptable.

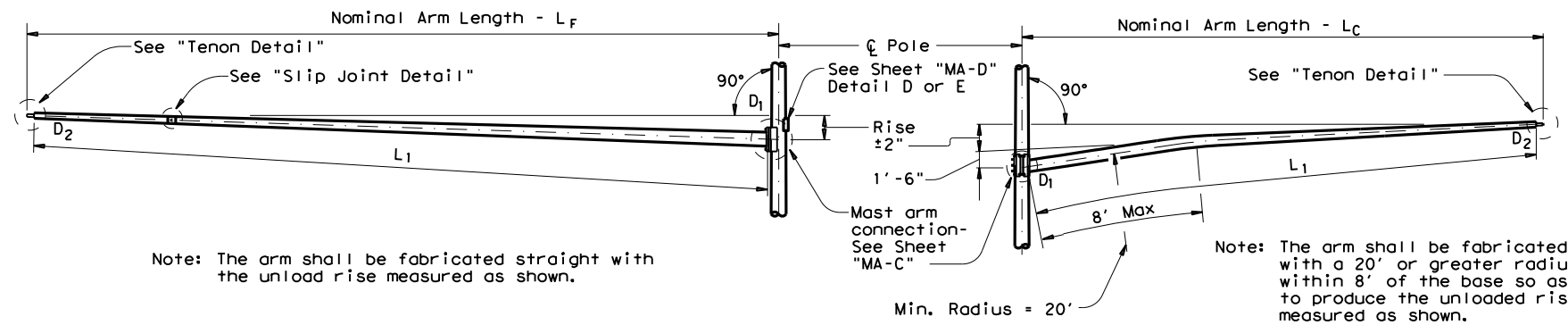
Texas Department of Transportation
 Traffic Operations Division

**TRAFFIC SIGNAL
 SUPPORT STRUCTURES
 SINGLE MAST ARM ASSEMBLY
 (80 MPH WIND ZONE)**

SMA-80 (2) - 12

© TxDOT August 1995	DN: MS	CK: JSY	DW: MMF	CK: JSY
5-96 1-12	REVISIONS			
	CONT	SECT	JOB	HIGHWAY
	0915	00	253	VARIOUS
	DIST	COUNTY	SHEET NO.	
	SAT	BEXAR	84	

DATE: 10/17/2022 1:55:08 PM
 FILE: I:\Traffic\Design\District PS&E Tracking\Plan_Review\Bexar\0915-00-253 (Districtwide Non-Site Specific Traffic Signals)\Standards\DMA-80\dma-80.dgn
 DISCLAIMER: The use of this standard is governed by the "Texas Engineering Practice Act". No warranty of any kind is made by TxDOT for any purpose whatsoever. TxDOT assumes no responsibility for the conversion of this standard to other formats or for incorrect results or damages resulting from its use.



FIXED MOUNT TRAFFIC SIGNAL ARM

CLAMP-ON TRAFFIC SIGNAL ARM

GENERAL NOTES:

Design conforms to 1994 AASHTO Standard Specifications for Structural Supports for Highway Signs, Luminaires, and Traffic Signals and Interim Specifications thereto. Design Wind Speed equals 80 mph plus a 1.3 gust factor. Designs are based on an arm included angle of 90 degrees or more. Angles of less than approximately 75 degrees will require a special design.

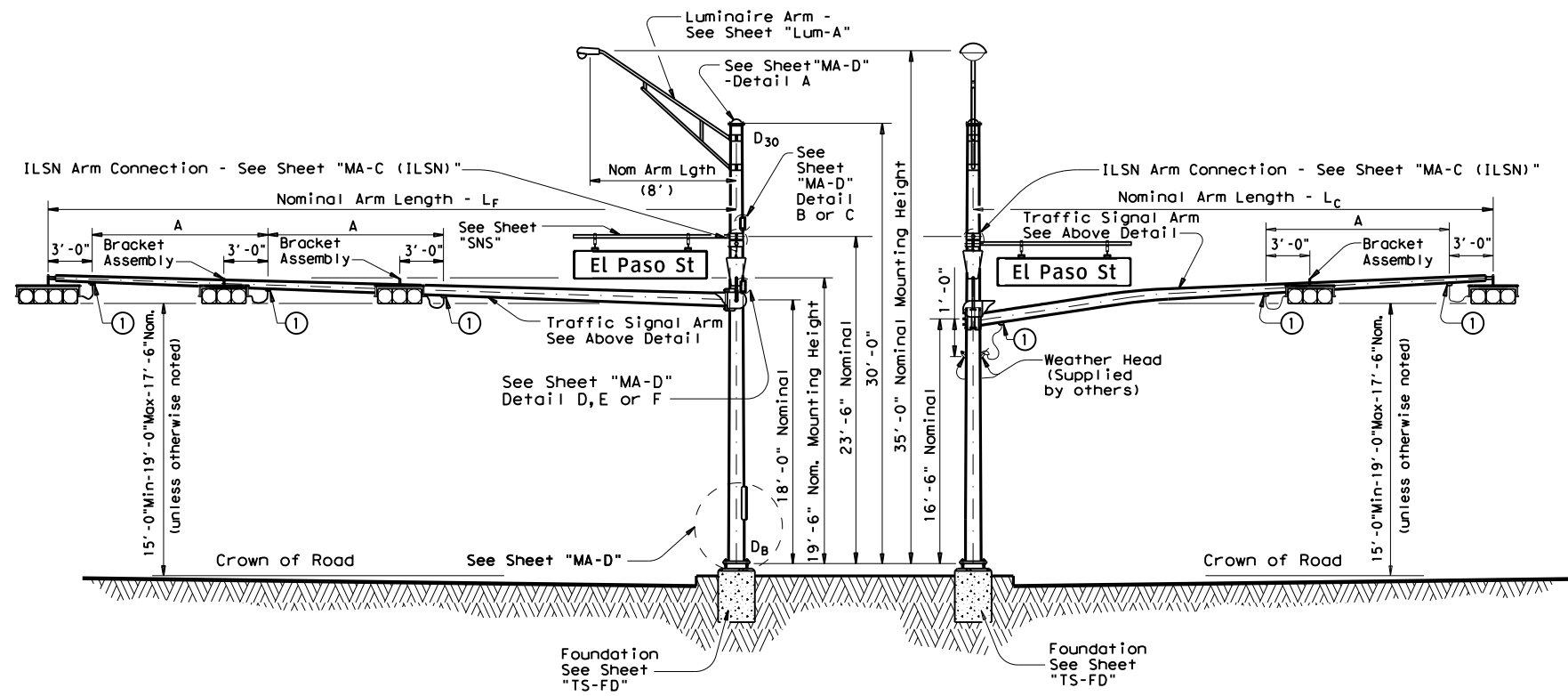
Poles are designed to support one 8'-0" luminaire arm, two 9'-0" internally lighted street name signs and two traffic signal arms with length combinations as tabulated. The specified luminaire load applied at the end of luminaire arm equals 60 lbs vertical dead load plus the horizontal wind load on an effective projected area of 1.6 sq ft. The specified internally lighted street name sign applied 4'-6" from the centerline of the pole equals 85 lbs vertical dead load plus the horizontal wind load on an effective projected area of 11.5 sq ft. The specified signal load applied at the end of the traffic signal arm equals 180 lbs vertical dead load plus the horizontal wind load on an effective projected area of 32.4 sq ft (actual area times drag coefficient).

See Standard Sheet "MA-D" for pole details, "MA-C" for traffic signal arm connection details, "MA-C (ILSN)" for internally lighted street name sign arm connection details, "LUM-A" for luminaire arm and connection details, "SNS" for internally lighted street name sign details, and "TS-FD" for anchor bolt and foundation details. See "MA-C" for material specifications.

Fabrication shall be in accordance with Item 686, "Traffic Signal Pole Assemblies (Steel)" and with the details, dimensions, and weld procedures shown herein. Weld references call for preapproved weld procedures which the Fabricator must obtain prior to fabrication. Materials, fabrication tolerances, and shipping practices shall meet the requirements of this sheet and Item 686, "Traffic Signal Pole Assemblies (Steel)".

Unless otherwise noted, all parts shall be galvanized in accordance with Item 445, "Galvanizing", after fabrication.

Deviation from the details and dimensions shown herein require submission of shop drawings in accordance with Item 441, "Steel Structures". Alternate designs are not acceptable.



ELEVATION

(Showing fixed mount arm)

STRUCTURE ASSEMBLY

① Threaded Coupling for CGB Connector See "ARM COUPLING DETAILS" Sheet 2 of 3

ELEVATION

(Showing clamp mount arm)

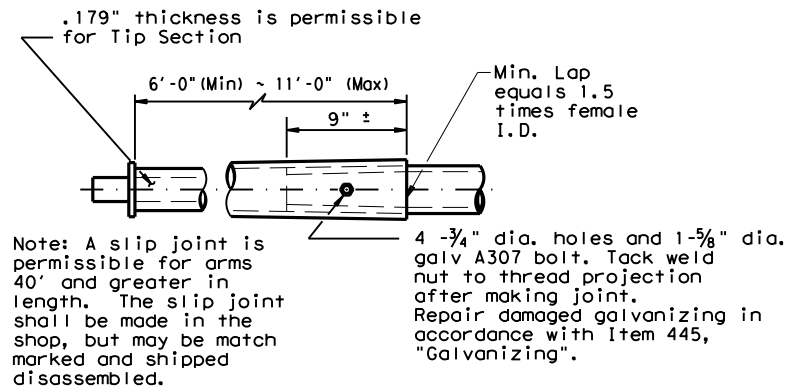
TABLE OF DIMENSIONS "A"						
Arm Length	24'	28'	32'	36'	40'	44'
Arm Type II	10'	11'	12'	13'		
Arm Type III			10'	11'	12'	12'

Texas Department of Transportation
 Traffic Operations Division
TRAFFIC SIGNAL SUPPORT STRUCTURES
DUAL MAST ARM ASSEMBLY
(80 MPH WIND ZONE)
DMA-80 (1)-12

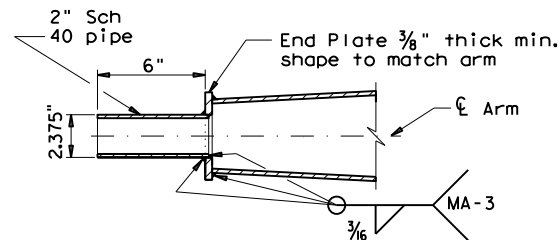
© TxDOT August 1995		DN: MS	CK: JSY	DW: MMF	CK: JSY
REVISIONS		CONT	SECT	JOB	HIGHWAY
5-96	0915 00	253		VARIOUS	
1-12	SAT	BEXAR		SHEET NO. 85	

DISCLAIMER: The use of this standard is governed by the "Texas Engineering Practice Act". No warranty of any kind is made by TxDOT for any purpose whatsoever. TxDOT assumes no responsibility for the conversion of this standard to other formats or for incorrect results or damages resulting from its use.

DATE: 10/17/2022 1:55:09 PM
 FILE: I:\Traffic\Design\District PS&E Tracking\Plan Review\Bexar\0915-00-253 (Districtwide Non-Site Specific Traffic Signals)\Standards\DMA-80.dma-80.dgn



SLIP JOINT DETAIL



TENON DETAIL

Stainless steel bands (or Cables) and cast bracket as in "Astro-Brac", "Sky Bracket" or "Easy Bracket" with 1 1/2" Dia Threaded Coupling.

BRACKET ASSEMBLY

VIBRATION WARNING

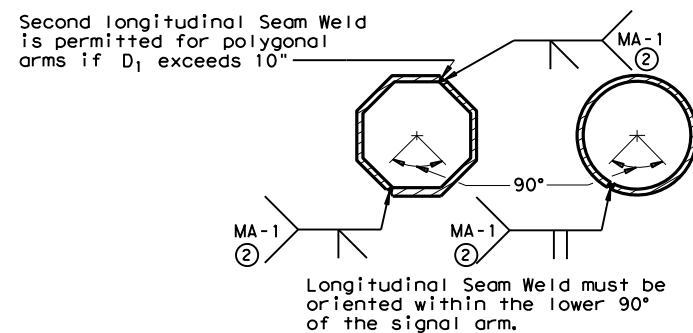
Most Arms of SMA and DMA structures and clamp-on Arms of LMA structures of approximately 40 ft or longer are subject to harmonic vertical vibrations in light wind conditions due to the aeroelastic characteristics of a few of the myriads of possible combinations of the following: signal numbers, weights and positions; existence/solidity of backplates; presence of additional attachments to the arm, such as signs and cameras; arm-wind orientation; and arm-pole stiffness.

Such vibrations may cause fatigue damage to the structure and may lead to galloping in moderate wind conditions which may further damage the structure and alarm the public. Tests have indicated that when wind is blowing toward the back side of signal heads having un-vented backplates attached the probability of unacceptable harmonic vibration and/or galloping is rather high.

If backplates are not required for improved visibility they should not be applied to the signal heads or, if they must be applied, they should be vented as a first and inexpensive measure to mitigate vibrations.

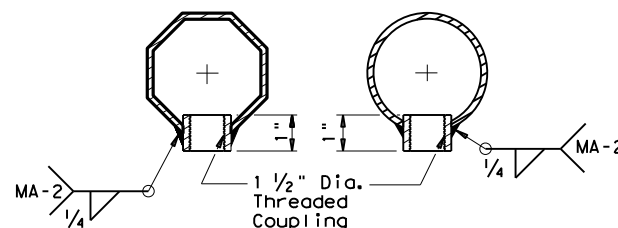
The traffic signal mast arms shall be visually inspected in 5 to 20 mph wind conditions after installation of signal heads and any attachments, including any required backplates. If vertical movements with a total excursion (maximum upward excursion to maximum downward excursion) of more than approximately 8" are observed at the arm tip, a damping plate shall be fitted to the arm. See "Damping Plate Mounting Details" on standard sheet, MA-DPD-10.

This visual inspection shall be repeated after each modification of the structure that could affect its aeroelastic response. Excessive vibrations shall not be allowed to continue for more than two days.



ARM WELD DETAIL

② 60% Min. penetration
100% penetration within 6" of circumferential base welds.



ARM COUPLING DETAILS

Texas Department of Transportation
 Traffic Operations Division
TRAFFIC SIGNAL SUPPORT STRUCTURES
DUAL MAST ARM ASSEMBLY
(80 MPH WIND ZONE)
DMA-80 (2)-12

© TxDOT August 1995		DN: MS	CK: JSY	DW: MMF	CK: JSY
5-96 1-12	REVISIONS		CONT	SECT	JOB
			0915	00	253
			DIST	COUNTY	SHEET NO.
		SAT	BEXAR	86	

DATE: 10/17/2022 1:55:09 PM
 FILE: I:\Traffic\Design\District PS&E Tracking\Plan_Review\Bexar\0915-00-253 (Districtwide Non-Site Specific Traffic Signals)\Standards\DMA-80\dma-80_dgn

SHIPPING PARTS LIST

Ship each pole with the following attached: enlarged hand hole, pole cap, fixed arm connection bolts and washers and any additional hardware listed in the table.

Nominal Arm Length	30' Poles With Luminaire		24' Poles With ILSN		19' Poles With no Luminaire and no ILSN		
	LF	Lc	See note above plus: one (or two if ILSN attached) small hand hole, clamp-on simplex		See note above plus one small hand hole		
ft.	ft.	Designation	Quantity	Designation	Quantity	Designation	Quantity
20	20	2020L-80		2020S-80		2020-80	
24	20	2420L-80		2420S-80		2420-80	
	24	2424L-80		2424S-80		2424-80	
28	20	2820L-80		2820S-80		2820-80	
	24	2824L-80		2824S-80		2824-80	
	28	2828L-80		2828S-80		2828-80	
32	20	3220L-80		3220S-80		3220-80	
	24	3224L-80		3224S-80		3224-80	
	28	3228L-80		3228S-80		3228-80	
	32	3232L-80		3232S-80		3232-80	
36	20	3620L-80		3620S-80		3620-80	
	24	3624L-80		3624S-80		3624-80	
	28	3628L-80		3628S-80		3628-80	
	32	3632L-80		3632S-80		3632-80	
	36	3636L-80		3636S-80		3636-80	
40	20	4020L-80		4020S-80		4020-80	
	24	4024L-80		4024S-80		4024-80	
	28	4028L-80		4028S-80		4028-80	
	32	4032L-80		4032S-80		4032-80	
	36	4036L-80		4036S-80		4036-80	
44	20	4420L-80		4420S-80		4420-80	
	24	4424L-80		4424S-80		4424-80	
	28	4428L-80		4428S-80		4428-80	
	32	4432L-80		4432S-80		4432-80	
	36	4436L-80		4436S-80		4436-80	

Traffic Signal Arms (Fixed Mount) (1 per pole) Ship each arm w/ the listed equipment attached

Nominal Arm Length	Type I Arm (1 Signal)		Type II Arm (2 Signals)		Type III Arm (3 Signals)	
	1 CGB connector		1 Bracket Assembly and 2 CGB Connectors		2 Bracket Assemblies and 3 CGB Connectors	
ft.	Designation	Quantity	Designation	Quantity	Designation	Quantity
20	20I-80					
24	24I-80		24II-80			
28	28I-80		28II-80			
32			32II-80		32III-80	
36			36II-80		36III-80	
40					40III-80	
44					44III-80	

Traffic Signal Arms (Clamp-On Mount) (1 per pole) Ship each arm w/ the listed equipment attached

Nominal Arm Length	Type I Arm (1 Signal)		Type II Arm (2 Signals)		Type III Arm (3 Signals)	
	2 CGB connector and 1 clamp w/bolts and washers		1 Bracket Assembly, 3 CGB Connectors, and 1 clamp w/bolts and washers		2 Bracket Assemblies, 4 CGB Connectors, and 1 clamp w/bolts and washers	
ft.	Designation	Quantity	Designation	Quantity	Designation	Quantity
20	20I-80					
24	24I-80		24II-80			
28	28I-80		28II-80			
32			32II-80		32III-80	
36			36II-80		36III-80	

Luminaire Arms (1 per 30' pole)

Nominal Arm Length	Quantity
8' Arm	

ILSN Arm (1 or 2 per pole) ship with clamps, bolts and washers

Nominal Arm Length	Quantity
7' Arm	
9' Arm	

Anchor Bolt Assemblies (1 per pole)

Anchor Bolt Diameter	Anchor Bolt Length	Quantity
1 1/2"	3'-4"	
1 3/4"	3'-10"	
2"	4'-3"	

Each anchor bolt assembly consists of the following: Top and Bottom templates, 4 anchor bolts, 8 nuts, 8 flat washers, and 4 nut anchor devices (Type 2) per Standard Drawing "TS-FD".

Templates may be removed for shipment.


LF	Lc	ROUND POLES					POLYGONAL POLES					Foundation Type
		D _B	D ₁₉	D ₂₄	D ₃₀	(3) thk	D _B	D ₁₉	D ₂₄	D ₃₀	(3) thk	
ft.	ft.	in.	in.	in.	in.	in.	in.	in.	in.	in.	in.	
20	20	11.5	8.8	8.1	7.3	.179	12.5	9.5	8.7	7.8	.179	30-A
24	20	12.0	9.3	8.6	7.8	.179	13.0	10.0	9.2	8.3	.179	30-A
	24	12.0	9.3	8.6	7.8	.179	13.0	10.0	9.2	8.3	.239	30-A
28	20	12.5	9.8	9.1	8.3	.179	12.0	9.0	8.2	7.3	.239	30-A
	24	12.5	9.8	9.1	8.3	.179	12.0	9.0	8.2	7.3	.239	30-A
	28	13.0	10.3	9.6	8.8	.179	12.5	9.5	8.7	7.8	.239	30-A
32	20	13.0	10.3	9.6	8.8	.179	12.5	9.5	8.7	7.8	.239	30-A
	24	13.0	10.3	9.6	8.8	.179	12.5	9.5	8.7	7.8	.239	30-A
	28	12.0	9.3	8.6	7.8	.239	13.0	10.0	9.2	8.3	.239	30-A
	32	12.0	9.3	8.6	7.8	.239	13.5	10.5	9.7	8.8	.239	36-A
36	20	12.0	9.3	8.6	7.8	.239	13.5	10.5	9.7	8.8	.239	36-A
	24	12.0	9.3	8.6	7.8	.239	13.5	10.5	9.7	8.8	.239	36-A
	28	12.5	9.8	9.1	8.3	.239	13.5	10.5	9.7	8.8	.239	36-A
	32	12.5	9.8	9.1	8.3	.239	13.5	10.5	9.7	8.8	.239	36-A
	36	12.5	9.8	9.1	8.3	.239	14.0	11.0	10.2	9.3	.239	36-A
40	20	12.5	9.8	9.1	8.3	.239	14.0	11.0	10.2	9.3	.239	36-A
	24	12.5	9.8	9.1	8.3	.239	14.0	11.0	10.2	9.3	.239	36-A
	28	13.0	10.3	9.6	8.8	.239	14.0	11.0	10.2	9.3	.239	36-A
	32	13.0	10.3	9.6	8.8	.239	15.0	12.0	11.2	10.3	.239	36-A
	36	13.5	10.8	10.1	9.3	.239	15.0	12.0	11.2	10.3	.239	36-A
44	20	13.5	10.8	10.1	9.3	.239	15.0	12.0	11.2	10.3	.239	36-A
	24	13.5	10.8	10.1	9.3	.239	15.0	12.0	11.2	10.3	.239	36-A
	28	13.5	10.8	10.1	9.3	.239	15.0	12.0	11.2	10.3	.239	36-A
	32	14.0	11.3	10.6	9.8	.239	15.5	12.5	11.7	10.8	.239	36-B
	36	14.0	11.3	10.6	9.8	.239	15.5	12.5	11.7	10.8	.239	36-B

Arm LF or LC	ROUND ARMS					POLYGONAL ARMS				
	L ₁	D ₁	D ₂	(3) thk	Rise	L ₁	D ₁	(4) D ₂	(3) thk	Rise
ft.	ft.	in.	in.	in.		ft.	in.	in.	in.	
20	19.1	6.5	3.8	.179	1'-9"	19.1	7.0	3.5	.179	1'-8"
24	23.1	7.5	4.3	.179	1'-10"	23.1	7.5	3.5	.179	1'-9"
28	27.1	8.0	4.2	.179	1'-11"	27.1	8.0	3.5	.179	1'-10"
32	31.0	9.0	4.7	.179	2'-1"	31.0	9.0	3.5	.179	2'-0"
36	35.0	9.5	4.6	.179	2'-4"	35.0	10.0	3.5	.179	2'-1"
40	39.0	9.5	4.1	.239	2'-8"	39.0	9.5	3.5	.239	2'-3"
44	43.0	10.0	4.1	.239	2'-11"	43.0	10.0	3.5	.239	2'-6"

D_B = Pole Base O.D.
 D₁₉ = Pole Top O.D. with no Luminaire and no ILSN
 D₂₄ = Pole Top O.D. with ILSN w/out Luminaire
 D₃₀ = Pole Top O.D. with Luminaire

D₁ = Arm Base O.D.
 D₂ = Arm End O.D.
 L₁ = Shaft Length
 LF = Fixed Arm Length
 LC = Clamp-on Arm Length (36" Max)

- (3) Thickness shown are minimums, thicker materials may be used.
- (4) D₂ may be increased by up to 1.0" for polygonal arms.



Texas Department of Transportation
Traffic Operations Division

TRAFFIC SIGNAL SUPPORT STRUCTURES

DUAL MAST ARM ASSEMBLY (80 MPH WIND ZONE)

DMA-80 (3)-12

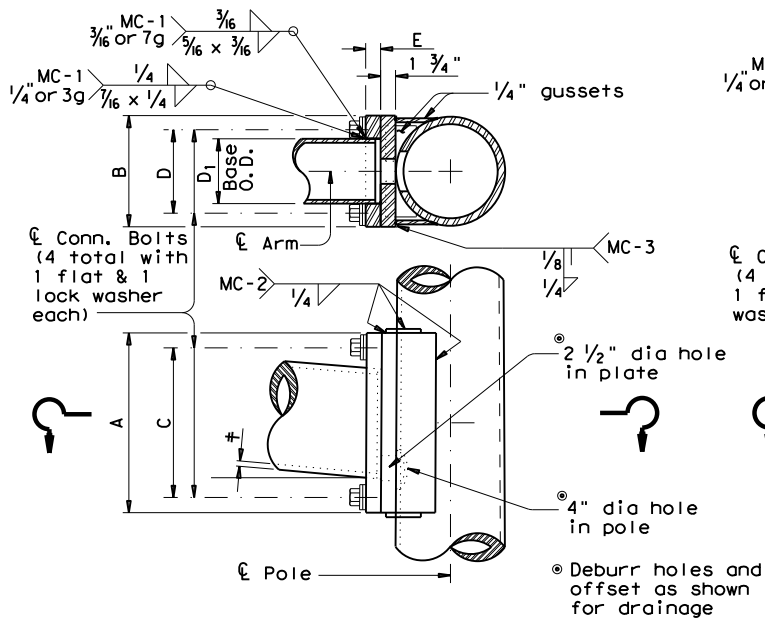
© TxDOT August 1995		DN: MS	CK: JSY	DW: MMF	CK: JSY
REVISIONS		CONT	SECT	JOB	HIGHWAY
5-96 1-12		0915	00	253	VARIOUS
DIST		COUNTY		SHEET NO.	
SAT		BEXAR		87	

DISCLAIMER: The use of this standard is governed by the "Texas Engineering Practice Act". No warranty of any kind is made by TxDOT for any purpose whatsoever. TxDOT assumes no responsibility for the conversion of this standard to other formats or for incorrect results or damages resulting from its use.

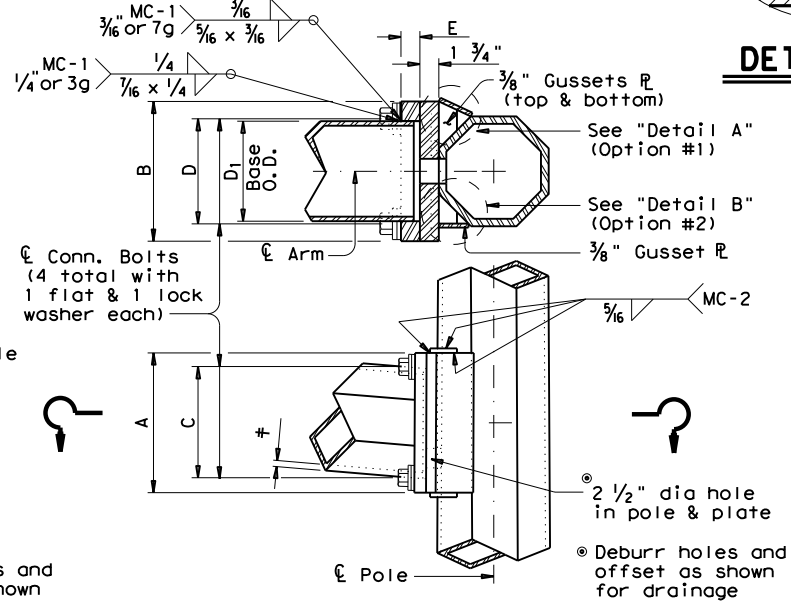
DATE: 10/17/2022 1:55:09 PM
 FILE: I:\Traffic\Design\District PS&E Tracking\Plan_Review\Bexar\0915-00-253 (Districtwide Non-Site Specific Traffic Signals)\Standards\MAST ARM\mac.dgn

ARM SIZE		A	B	C	D	E	CONN BOLT DIA
D ₁	Ø	in.	in.	in.	in.	in.	in.
6.5	.179	12	9	9	6	1 3/4	1
7.5	.179	13	9	10	6	1 3/4	1
8.0	.179	14	10	11	7	2	1 1/4
9.0	.179	16	11	13	8	2	1 1/4
9.5	.179	17	12	14	9	2	1 1/4
9.5	.239	18	12	15	9	2	1 1/4
10.0	.239	18	12	15	9	2	1 1/4
10.5	.239	18	13	15	10	3	1 1/2
11.0	.239	18	13	15	10	3	1 1/2

ARM SIZE		A	B	C	D	E	CONN BOLT DIA
D ₁	Ø	in.	in.	in.	in.	in.	in.
7.0	.179	11	11	8	8	1 3/4	1 1/4
7.5	.179	11	11	8	8	1 3/4	1 1/4
8.0	.179	11	11	8	8	2	1 1/4
9.0	.179	13	13	10	10	2	1 1/4
10.0	.179	13	13	10	10	2	1 1/4
9.5	.239	13	13	10	10	2	1 1/4
10.0	.239	14	14	11	11	2	1 1/2
11.0	.239	14	14	11	11	3	1 1/2
11.5	.239	14	14	11	11	3	1 1/2



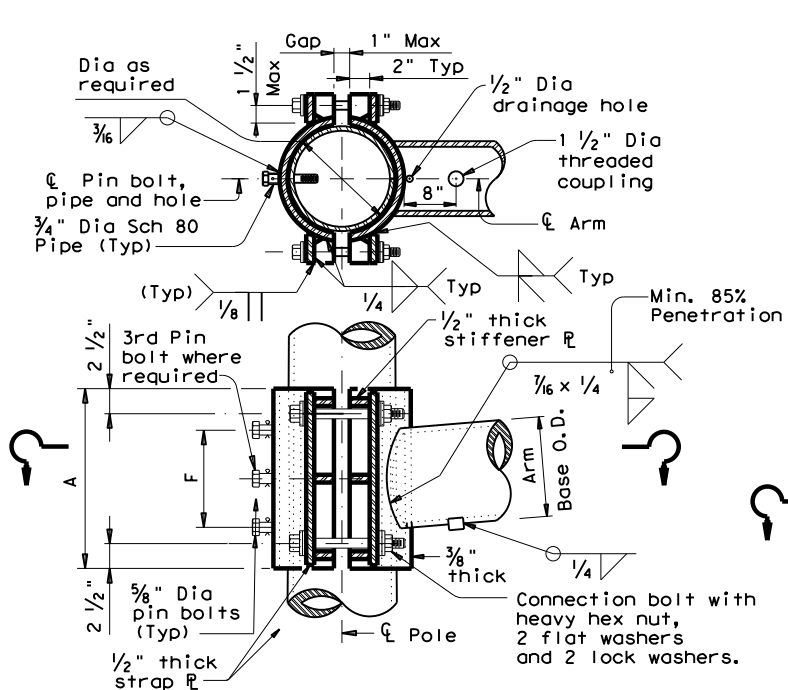
FIXED MOUNT DETAIL 1



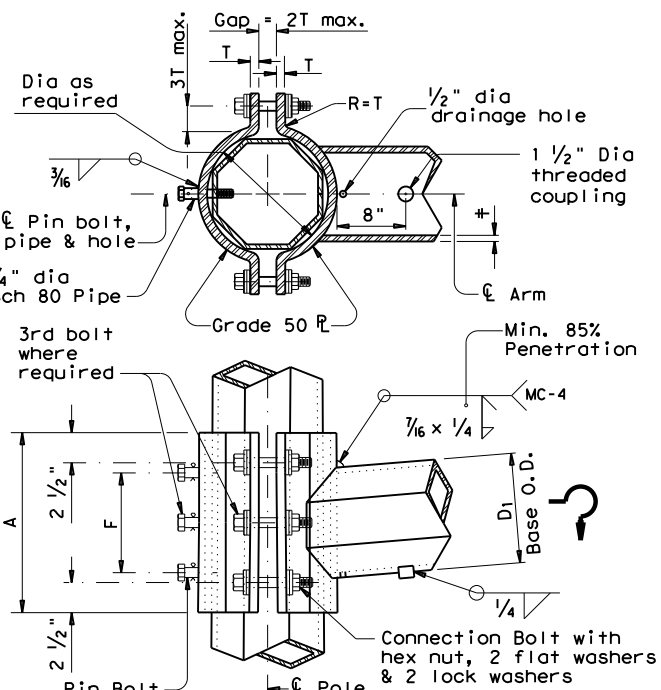
FIXED MOUNT DETAIL 2

ARM SIZE		A	F	CONN. BOLTS		PIN BOLTS	
D ₁	Ø	in.	in.	No.	Dia	No.	Dia
6.5	.179	12	6	4	1	2	5/8
7.5	.179	14	8	4	1	2	5/8
8.0	.179	14	8	4	1	2	5/8
9.0	.179	16	10	4	1	2	5/8
9.5	.179	18	12	4	1 1/4	3	5/8
9.5	.239	18	12	4	1 1/4	3	5/8
10.0	.239	18	12	4	1 1/4	3	5/8

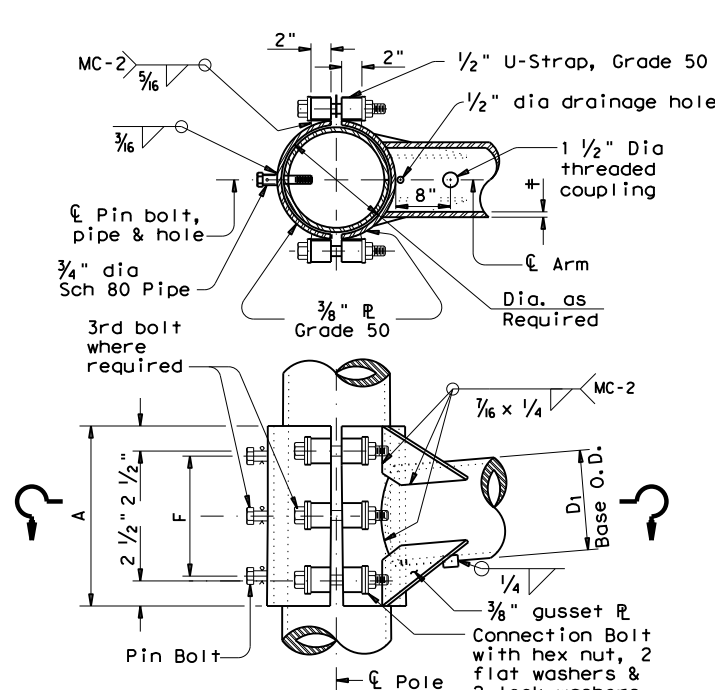
ARM SIZE		A	F	T	CONN. BOLTS		PIN BOLTS	
D ₁	Ø	in.	in.	in.	No.	Dia	No.	Dia
7.0	.179	12	6	3/4	4	3/4	2	5/8
7.5	.179	14	8	3/4	4	3/4	2	5/8
8.0	.179	14	8	3/4	4	3/4	2	5/8
9.0	.179	16	10	7/8	4	1	2	5/8
10.0	.179	18	10	7/8	4	1	2	5/8
9.5	.239	18	10	1	6	1	3	5/8
10.0	.239	18	10	1	6	1	3	5/8



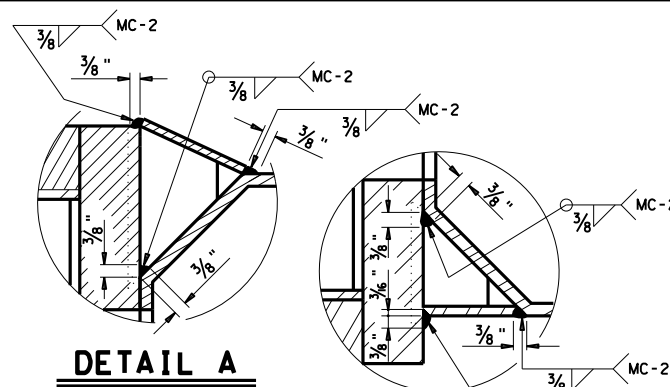
CLAMP-ON DETAIL 1



CLAMP-ON DETAIL 2

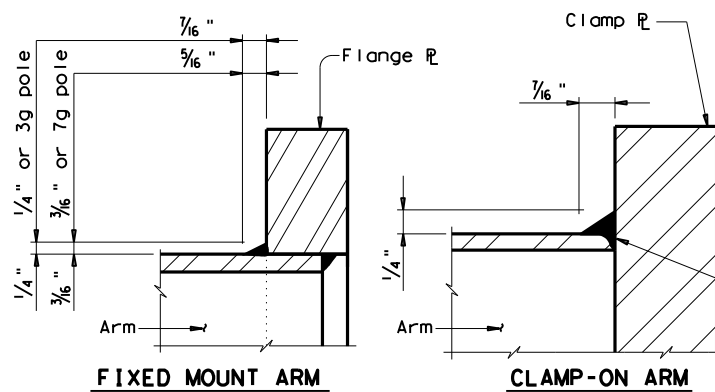


CLAMP-ON DETAIL 3



DETAIL A

DETAIL B



FIXED MOUNT ARM

CLAMP-ON ARM

ARM BASE WELD DETAILS

ARM SIZE		A	F	CONN. BOLTS		PIN BOLTS	
D ₁	Ø	in.	in.	No.	Dia	No.	Dia
6.5	.179	12	6	4	1	2	5/8
7.5	.179	14	8	4	1	2	5/8
8.0	.179	14	8	4	1	2	5/8
9.0	.179	16	10	4	1	2	5/8
9.5	.179	18	12	6	1	3	5/8
9.5	.239	18	12	6	1	3	5/8
10.0	.239	18	12	6	1	3	5/8

MATERIALS	
Round Shafts or Polygonal Shafts ^①	ASTM A595 Gr.A, A588, A1008 HSLAS Gr.50 Class 2, A1011 HSLAS Gr.50 Class 2, A572 Gr.50 or A1011 SS Gr.50 ^②
Plates ^①	ASTM A36, A588, or A572 Gr.50
Connection Bolts	ASTM A325 or A449, except where noted
Pin Bolts	ASTM A325
Pipe ^①	ASTM A53 Gr.B, A501, A1008 HSLAS-F Gr.50, A1011 HSLAS-F Gr.50
Misc. Hardware	Galvanized steel or stainless steel or as noted

- ① ASTM A572, A1008 HSLAS, A1011 HSLAS, A1008 HSLAS-F, A1011 HSLAS-F or A1011 SS may have higher yield strengths but shall not have less elongation than the grade indicated.
- ② ASTM A1011 SS Gr.50 material shall also have a minimum elongation of 18 percent in 8 inches or 23 percent in 2 inches. Material thickness in excess of those stipulated under A1011 SS will be acceptable providing the material meets all other A1011 SS requirements and the requirements of this item.

GENERAL NOTES:

Clamp-on details are used for the second arm on dual mast arm assemblies. A Maximum 1 1/2" wide vertical slotted hole shall be cut in the front clamp plate to facilitate drainage during galvanizing. The slot shall be centered behind the arm and shall be no longer than the arm diameter minus 1"

Fixed mount details are used for single mast arm assemblies and for the first arm on dual mast arm assemblies.

Where duplicate parts occur on a detail, welds shown for one part shall apply to all similar parts on the detail.

Pin bolts are required to prevent rotation of clamp-on arms under design wind forces.

NOTE:

Pin bolts shall be A325 with threads excluded from the shear plane. Pin bolt and 3/4" dia pipe shall have 3/16" dia holes for a 1/8" dia galvanized cotter pin. Back clamp plate shall be furnished with a 3/4" dia hole for each pin bolt. An 1/16" dia hole for each pin bolt shall be field drilled through the pole after arm orientations have been approved by the Engineer.

Texas Department of Transportation
 Traffic Operations Division

**STANDARD ASSEMBLY
 FOR TRAFFIC SIGNAL
 SUPPORT STRUCTURES**

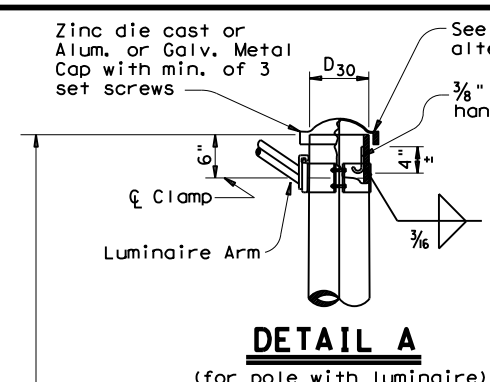
MAST ARM CONNECTIONS

MA-C-12

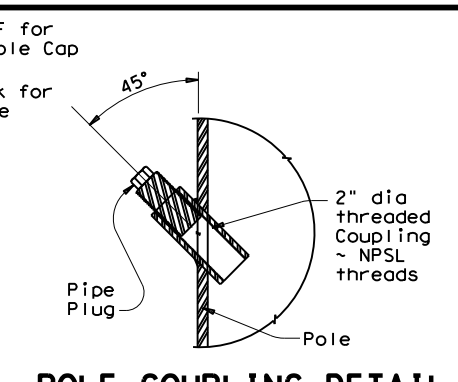
© TxDOT August 1995		DN: MS	CK: JSY	DW: MMF	CK: JSY
REVISIONS		CONT	SECT	JOB	HIGHWAY
5-96		0915	00	253	VARIOUS
5-09		DIST	COUNTY		SHEET NO.
1-12		SAT	BEXAR		88

DISCLAIMER: The use of this standard is governed by the "Texas Engineering Practice Act". No warranty of any kind is made by TxDOT for any purpose whatsoever. TxDOT assumes no responsibility for damages resulting from its use.

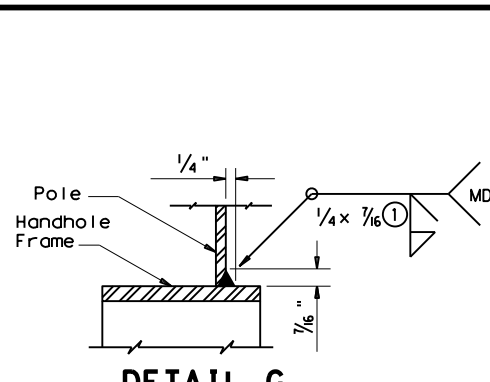
DATE: 10/17/2022 1:55:10 PM
 FILE: I:\Traffic\Design\District PS&E Tracking\Plan_Review\Bexar\0915-00-253 (Districtwide Non-Site Specific Traffic Signals)\Standards\MAST_ARM\mad.dgn



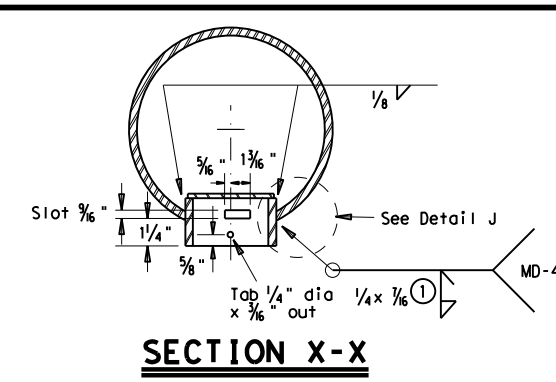
DETAIL A
(for pole with luminaire)



POLE COUPLING DETAIL

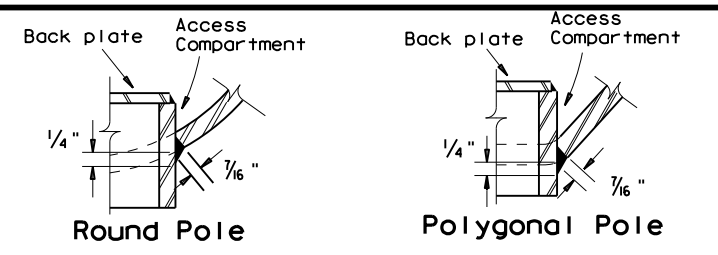


DETAIL G

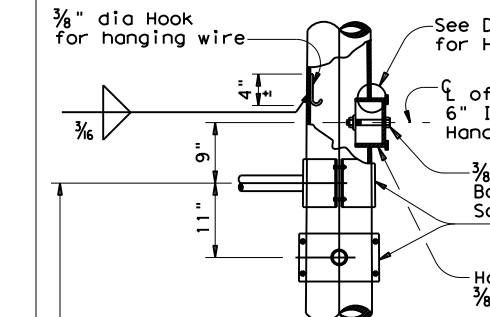


SECTION X-X

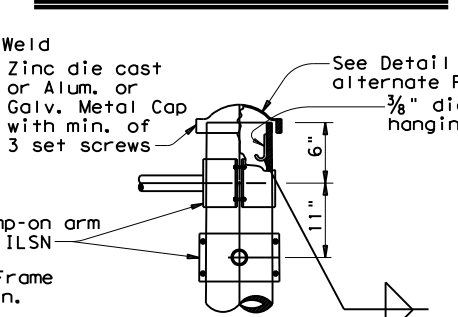
Opening for access compartment shall be no more than 1/16 inch wider than the access compartment itself.



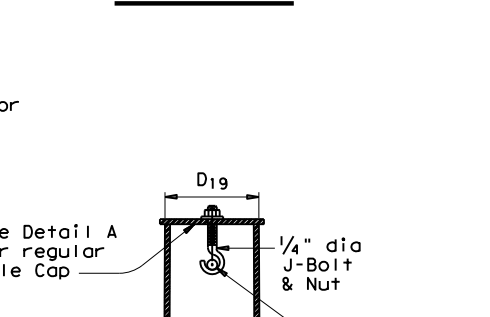
DETAIL J



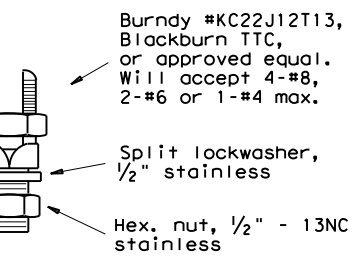
DETAIL B
(If ILSN applied)



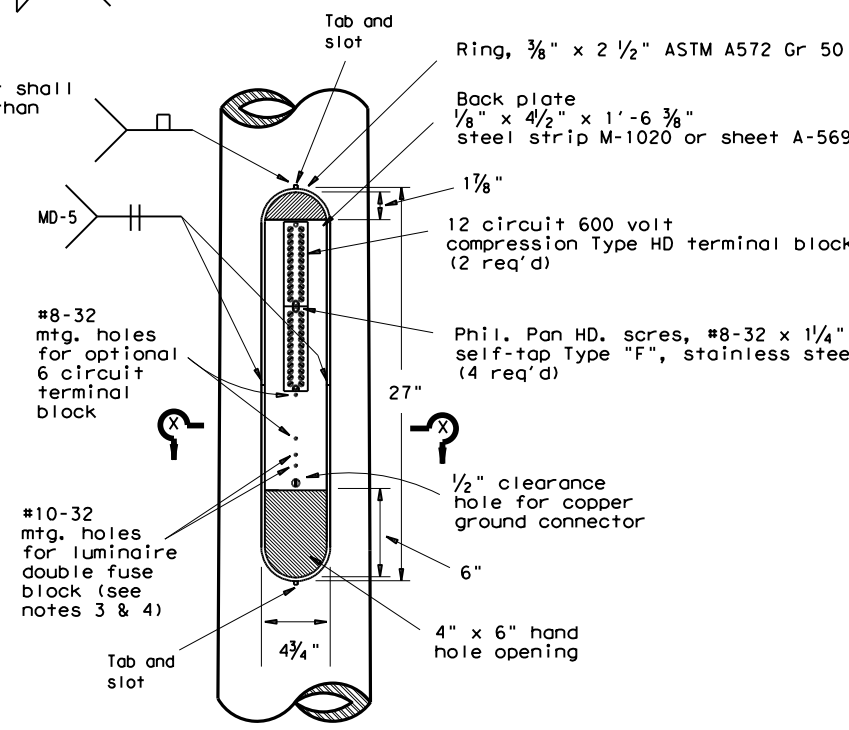
DETAIL C



SECTION Y-Y



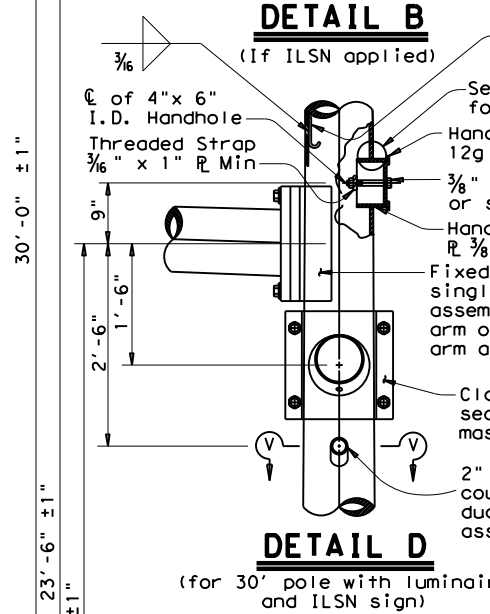
COPPER GROUND CONNECTOR



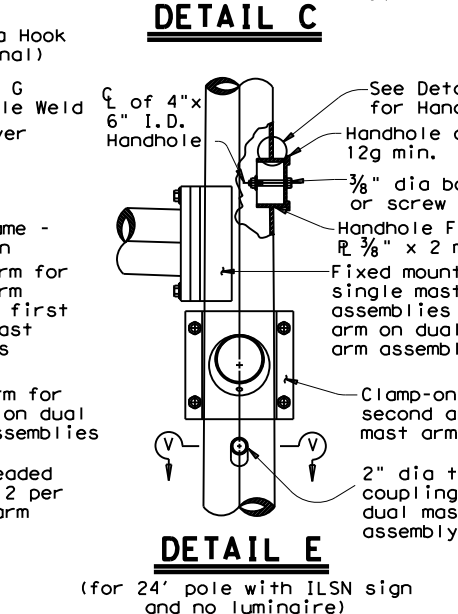
ACCESS COMPARTMENT

NOTES:

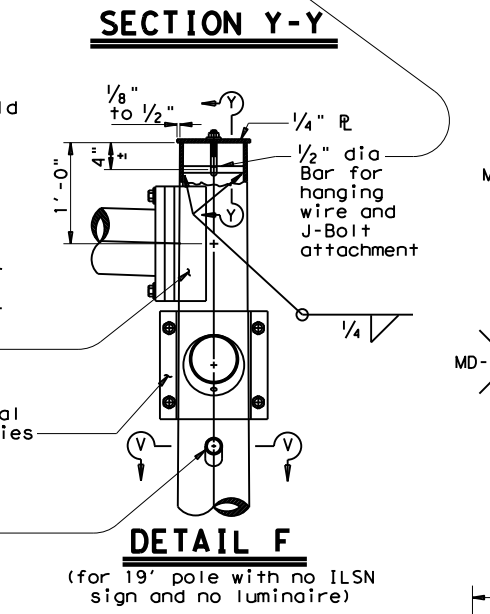
- The cover shall be one piece formed from ABS plastic, shall be a pearl gray color, and shall be suitable for exposure to harsh sunlight and extreme weather. Cover shall latch with two screw latches and shall fit tightly to the enclosure ring to create a rainproof seal. Latch screws shall be 1/4-20 stainless flat socket head screws with tamper proof feature.
- The pole manufacturer shall provide with each pole a separate kit consisting of: one cover with two latching assemblies, two terminal strips (Marathon #985GP12CU or approved equal), four #8-32 x 1 1/4 self tapping type "F" stainless steel pan head screws, and one ground connector (Blackburn TTC, Burndy KC22J12T13, or IlSCO SSS-5). The traffic signal contractor shall install the kit items in the field.
- The screw hole spacing on the enclosure back plate shall be for two Marathon #985GP12 terminal strips, one Marathon #985GP06CU terminal strip, and one Bussmann #BM6032B fuse block.
- Install one Bussmann #BM6032B, Littelfuse #L60030M-2C, or Ferraz-Shawmut #30352 fuse block for poles where luminaires are to be installed.



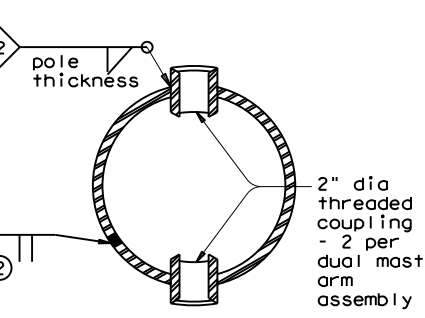
DETAIL D
(for 30' pole with luminaire and ILSN sign)



DETAIL E
(for 24' pole with ILSN sign and no luminaire)

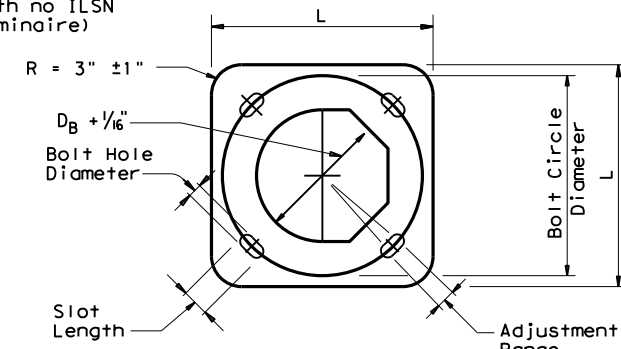


DETAIL F
(for 19' pole with no ILSN sign and no luminaire)



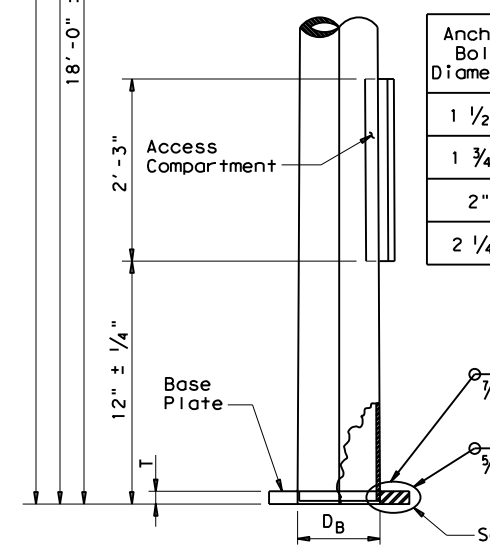
SECTION V-V

Anchor Bolt Diameter	Bolt Hole Diameter	Slot Length	Bolt Circle Diameter	Base R Dim. L x T	Adjust. Range
1 1/2"	1 3/4"	3 1/2"	17"	18" x 1 1/2"	13.4°
1 3/4"	2"	4"	19"	20" x 1 3/4"	13.5°
2"	2 1/4"	4 1/2"	21"	22" x 2"	13.6°
2 1/4"	2 1/2"	5"	23"	24" x 2 1/4"	13.7°

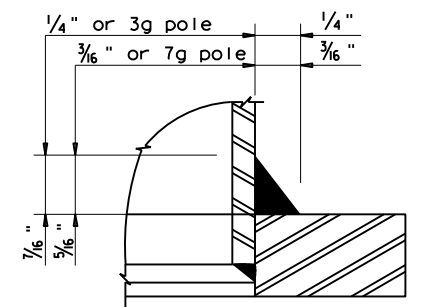


BASE PLATE PLAN

- ① 85% Min. penetration
- ② 60% Min. penetration 100% penetration within 6" of circumferential base welds.



POLE ELEVATION



DETAIL H

Texas Department of Transportation
 Traffic Operations Division

TRAFFIC SIGNAL SUPPORT STRUCTURES MAST ARM POLE DETAILS

MA-D-12

© TxDOT August 1995		DN: MS	CK: JSY	DW: FDN	CK: CAL
REVISIONS		CONT	SECT	JOB	HIGHWAY
0915	00	253	VARIOUS		
DIST	COUNTY	SHEET NO.			
SAT	BEXAR	89			

DISCLAIMER: The use of this standard is governed by the "Texas Engineering Practice Act", No warranty of any kind is made by TxDOT for any purpose whatsoever. TxDOT assumes no responsibility for the conversion of this standard to other formats or for incorrect results or damages resulting from its use.

DATE: 10/17/2022 1:55:10 PM
 FILE: I:\Traffic\Design\District PS&E Tracking\Plan_Review\Bexar\0915-00-253 (Districtwide Non-Site Specific Traffic Signals)\Standards\ts-fd.dgn

FOUNDATION DESIGN TABLE

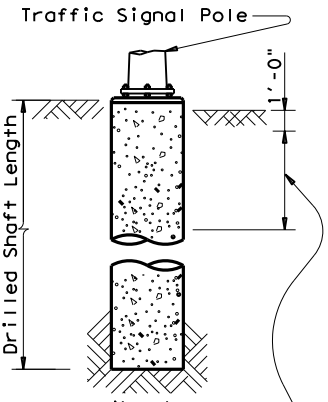
FDN TYPE	DRILLED SHAFT DIA	REINFORCING STEEL		EMBEDDED DRILLED SHAFT LENGTH-ft (4), (5), (6)			ANCHOR BOLT DESIGN (1)			FOUNDATION DESIGN LOAD (2)		TYPICAL APPLICATION	
		VERT BARS	SPIRAL & PITCH	TEXAS CONE PENETROMETER N Blows/ft			ANCHOR BOLT DIA	Fy (ksi)	BOLT CIR DIA	ANCHOR TYPE	MOMENT K-ft		SHEAR Kips
				10	15	40							
24-A	24"	4- #5	#2 at 12"	5.7	5.3	4.5	3/4"	36	12 3/4"	1	10	1	Pedestal pole, pedestal mounted controller.
30-A	30"	8- #9	#3 at 6"	11.3	10.3	8.0	1 1/2"	55	17"	2	87	3	Mast arm assembly. (see Selection Table)
36-A	36"	10- #9	#3 at 6"	13.2	12.0	9.4	1 3/4"	55	19"	2	131	5	Mast arm assembly. (see Selection Table) 30' strain pole with or without luminaire.
36-B	36"	12- #9	#3 at 6"	15.2	13.6	10.4	2"	55	21"	2	190	7	Mast arm assembly. (see Selection Table) Strain pole taller than 30' & strain pole with mast arm
42-A	42"	14- #9	#3 at 6"	17.4	15.6	11.9	2 1/4"	55	23"	2	271	9	Mast arm assembly. (see Selection Table)

NOTES:

- ① Anchor bolt design develops the foundation capacity given under Foundation Design Loads.
- ② Foundation Design Loads are the allowable moments and shears at the base of the structure.
- ③ Foundations may be listed separately or grouped according to similarity of location and type. Quantities are for the Contractor's information only.
- ④ Field Penetrometer readings at a depth of approximately 3 to 5 feet may be used to adjust shaft lengths.
- ⑤ If rock is encountered, the Drilled Shaft shall extend a minimum of two diameters into solid rock.
- ⑥ Decimal lengths in Design Table are to allow interpolation for other penetrometer values. Round to nearest foot for entry into Summary Table.

FOUNDATION SELECTION TABLE FOR STANDARD MAST ARM PLUS ILSN SUPPORT ASSEMBLIES (ft)

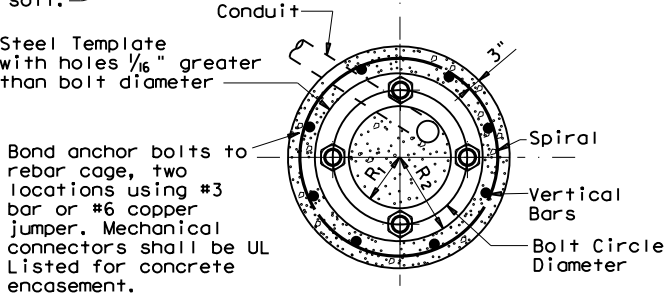
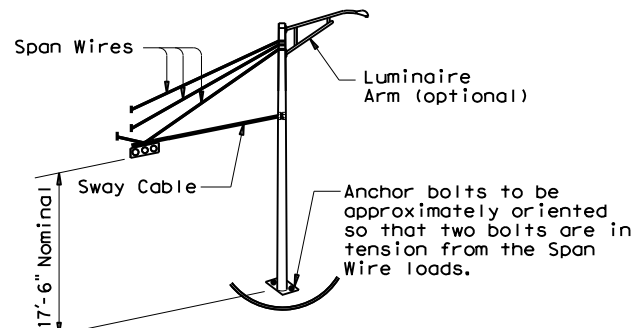
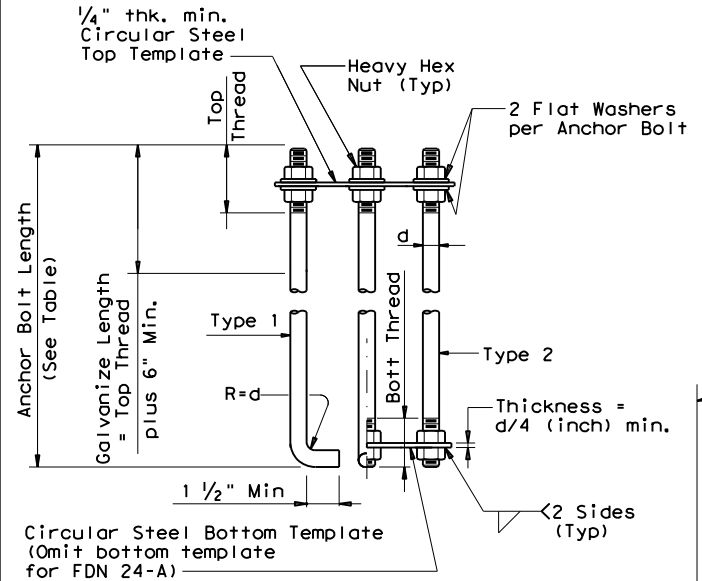
80 MPH DESIGN WIND SPEED	MAX SINGLE ARM LENGTH	FDN 30-A	FDN 36-A	FDN 36-B	FDN 42-A
		24' X 24'	28' X 28'	32' X 32'	
MAXIMUM DOUBLE ARM LENGTH COMBINATIONS	32' X 28'				
			36' X 36'		
			40' X 36'		
			44' X 28'	44' X 36'	
100 MPH DESIGN WIND SPEED	MAX SINGLE ARM LENGTH		36'	44'	
	MAXIMUM DOUBLE ARM LENGTH COMBINATIONS	24' X 24'	28' X 28'		
		32' X 24'		32' X 32'	
				36' X 36'	
		40' x24'	40' X 36'		
			44' x 36'		



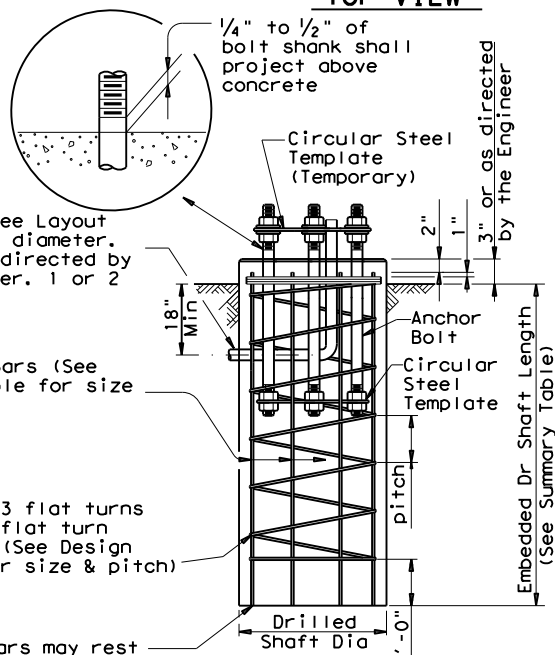
BOLT DIA IN.	(7) BOLT LENGTH	TOP THREAD	BOTTOM THREAD	BOLT CIRCLE	R2	Rt
3/4"	1'-6"	3"	—	12 3/4"	7 1/8"	5 5/8"
1 1/2"	3'-4"	6"	4"	17"	10"	7"
1 3/4"	3'-10"	7"	4 1/2"	19"	11 1/4"	7 3/4"
2"	4'-3"	8"	5"	21"	12 1/2"	8 1/2"
2 1/4"	4'-9"	9"	5 1/2"	23"	13 3/4"	9 1/4"

(7) Min dimensions given, longer bolts are acceptable.

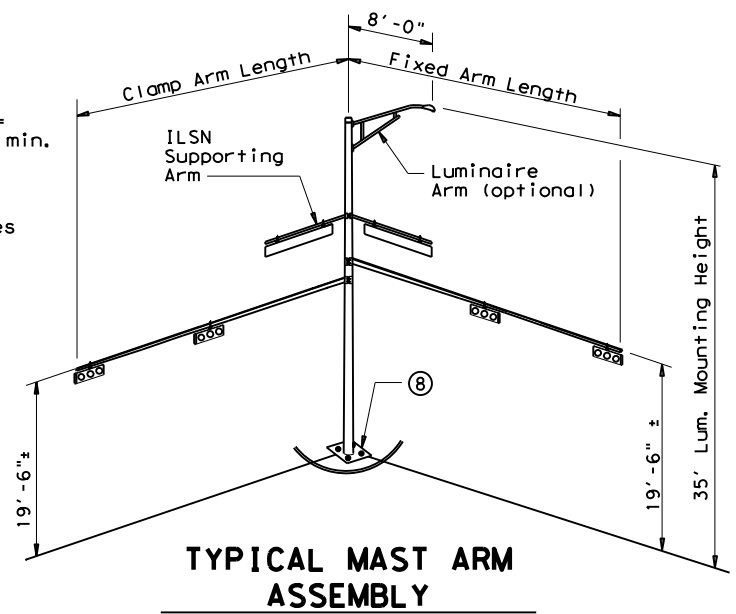
- EXAMPLE:**
- For 80mph design wind speed, foundation 30-A can support up to a 32' arm with another arm up to 28'
 - For 100mph design wind speed, foundation 36-A can support a single 36' mast arm.



TOP VIEW



FOUNDATION DETAILS



ANCHOR BOLT ASSEMBLY

⑧ Orient anchor bolts orthogonal with the fixed arm direction to ensure that two bolts are in tension under dead load.

FOUNDATION SUMMARY TABLE (3)

LOCATION IDENTIFICATION	AVG. N BLOW /ft.	FDN TYPE	NO. EA	DRILLED SHAFT LENGTH (6) (FEET)				
				24-A	30-A	36-A	36-B	42-A
TOTAL DRILLED SHAFT LENGTHS								

GENERAL NOTES:
 Design conforms to 1994 AASHTO Standard Specifications for Structural Supports for Highway Signs, Luminaires and Traffic Signals and interim revisions thereto.

Reinforcing steel shall conform to Item 440, "Reinforcing Steel".
 Concrete shall be Class "C".

Threads for anchor bolts and nuts shall be rolled or cut threads of 8UN series up to 2" in diameter or UNC series for all sizes. Bolts and nuts shall have Class 2A and 2B fit tolerances. Galvanized nuts shall be tapped after galvanizing.

Anchor bolts that are larger than 1" in diameter shall conform to "alloy steel" or "medium-strength mild steel" per Item 449, "Anchor Bolts". Anchor bolts that are 1" in diameter or less shall conform to ASTM A36. Galvanize a minimum of the top end thread length plus 6" for all anchor bolts unless otherwise noted. Exposed washers and exposed nuts shall be galvanized. All galvanizing shall be in accordance with Item 445, "Galvanizing".

Templates and embedded nuts need not be galvanized. Lubricate and tighten anchor bolts when erecting the structure in accordance with Item 449, "Anchor Bolts".

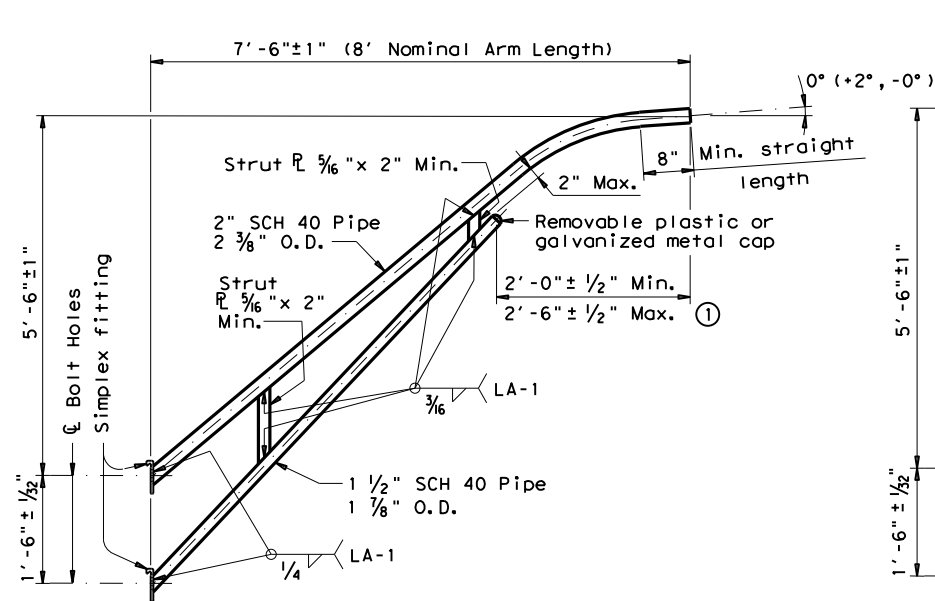


TRAFFIC SIGNAL POLE FOUNDATION

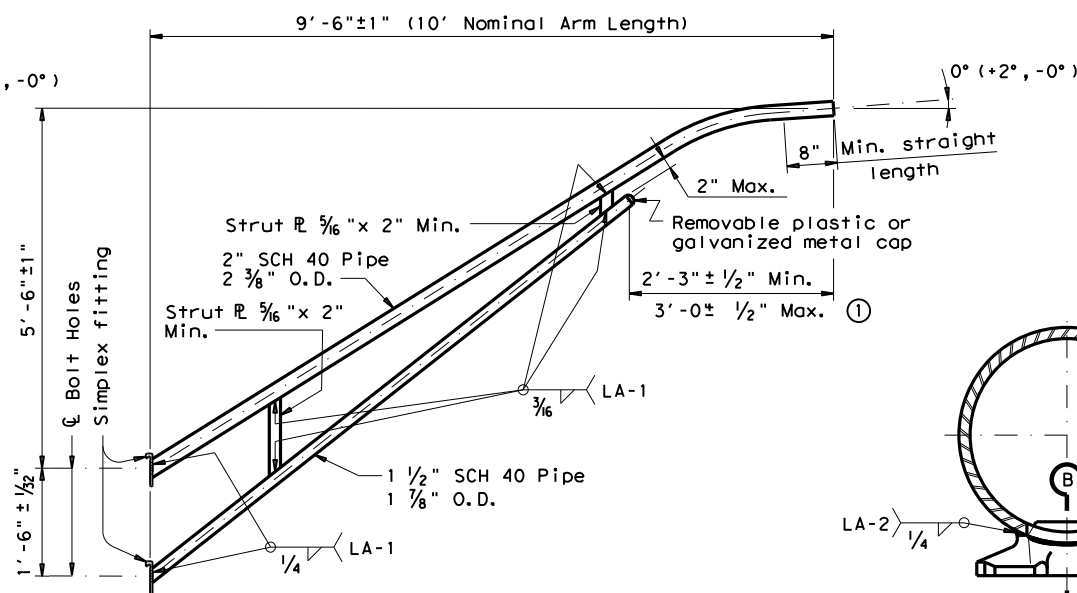
TS-FD-12

© TxDOT August 1995		DN: MS	CK: JSY	DW: MAO/MMF	CK: JSY/TEB
REVISIONS		CONTRACT	SECTION	JOB	HIGHWAY
5-96		0915 00		253	VARIOUS
11-99		DIST	COUNTY		SHEET NO.
1-12		SAT	BEXAR		90

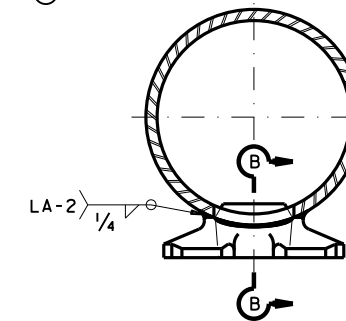
DATE: 10/17/2022 1:55:11 PM
 FILE: I:\Traffic\Design\District PS&E Tracking\Plan_Review\Bexar\0915-00-253 (Districtwide Non-Site Specific Traffic Signals)\lum-a.dgn
 DISCLAIMER: The use of this standard is governed by the "Texas Engineering Practice Act". No warranty of any kind is made by TxDOT for any purpose whatsoever. TxDOT assumes no responsibility for the conversion of this standard to other formats or for incorrect results or damages resulting from its use.



8-FOOT LUMINAIRE ARM



10-FOOT LUMINAIRE ARM



DIRECT ATTACHMENT DETAIL

MATERIALS	
Pole or Arm Simplex	ASTM A27 Gr. 65-35 or A148 Gr. 80-50, A576 Gr. 1021 ③, or A36 (Arm only)
Arm Pipes	ASTM A53 Gr. B, A501, A1008 HSLAS-F Gr. 50 ④, or A1011 HSLAS-F Gr. 50 ④
Arm Strut Plates ②	ASTM A36, A572 Gr. 50 ④, or A588
Misc.	ASTM designations as noted

- ① Dimensional limits are given to show acceptable variation in design. All of a Fabricator's production of a particular arm length shall have the same dimensions within specified tolerances.
- ② Any of the materials listed for plates may be used where the drawings do not specify a particular ASTM designation.
- ③ A576 must be suitable for forging and also meet minimum tensile strength of 65 ksi, minimum yield of 35 ksi, and elongation in 2 inches of 22 percent.
- ④ ASTM A572, A1008 HSLAS-F, and A1011 HSLAS-F may have higher yield strengths but shall not have less elongation than the grade indicated.

GENERAL NOTES:

Design conforms to 1994 AASHTO Standard Specifications for Structural Supports for Highway Signs, Luminaires, and Traffic Signals and Interim Revisions thereto. Design Wind Speed equals 90 mph plus a 1.3 gust factor. Arms are designed to support a 60 lb. luminaire having an effective projected area (actual area times drag coefficient) of 1.6 sq. ft.

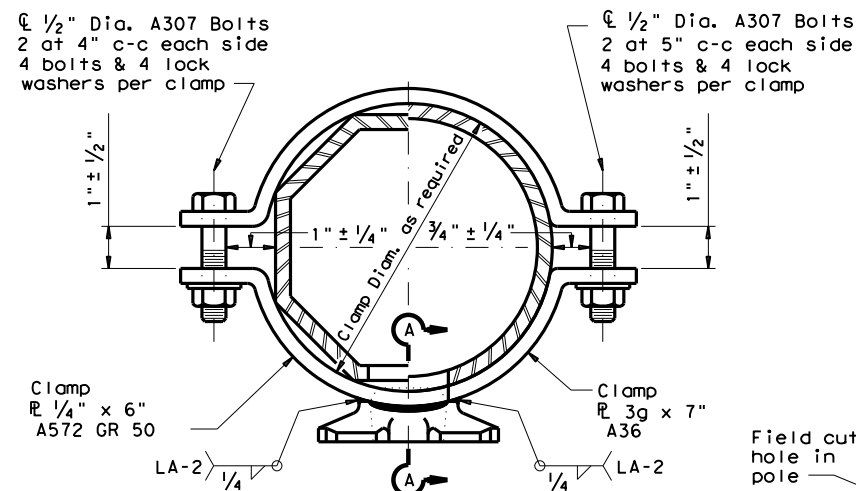
Materials and fabrication shall be in accordance with Item 686, "Traffic Signal Pole Assemblies (Steel)" and with the details, dimensions, and weld procedures shown herein. Weld references call for preapproved weld procedures which the Fabricator must obtain prior to fabrication. In the absence of specified Fabricator tolerances, dimensions shall be within the tolerances generally obtainable in normal fabrication practice.

Unless otherwise noted, all parts shall be galvanized after fabrication in accordance with Item 445, "Galvanizing".

Deviation from the details and dimensions shown herein require submission of shop drawings in accordance with Item 441, "Steel Structures". Alternate designs are not acceptable.

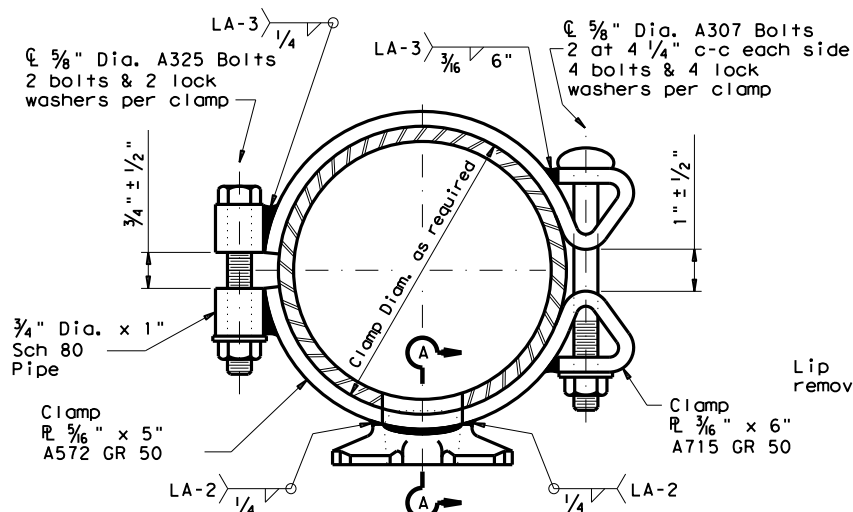
Each pole simplex fitting shall be supplied with 2 ASTM A325 bolts and 2 lock washers of the size specified. The bolts and lock washers shall be secured to the pole with the other hardware items called for in the plans. When clamp attachment is specified, the Fabricator shall ship the clamp assembly securely attached to the pole at the location shown on the plans.

If clamp assemblies are ordered without poles, the Fabricator shall ship one upper and one lower clamp assembly together in a single package, including all nuts and washers required for the clamps and simplex fittings.



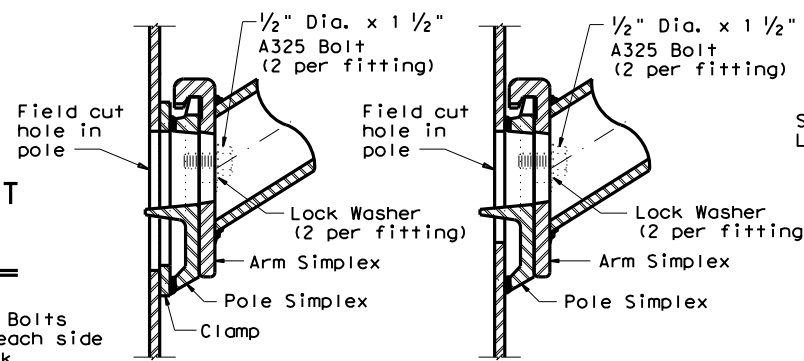
CLAMP ATTACHMENT DETAIL NO. 1 (HALF SECTION)

CLAMP ATTACHMENT DETAIL NO. 2 (HALF SECTION)



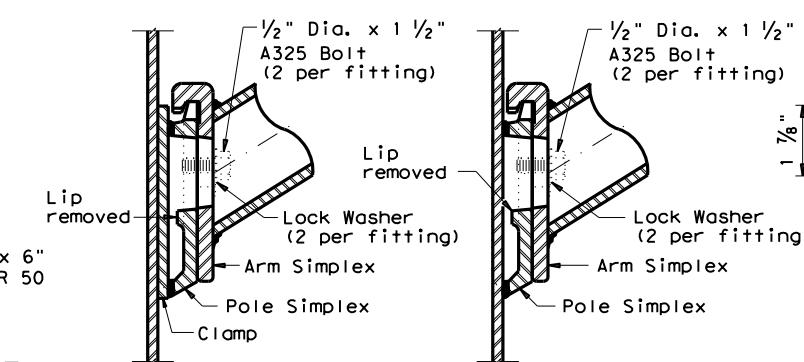
CLAMP ATTACHMENT DETAIL NO. 3 (HALF SECTION)

CLAMP ATTACHMENT DETAIL NO. 4 (HALF SECTION)



UPPER SIMPLEX FITTING

UPPER SIMPLEX FITTING

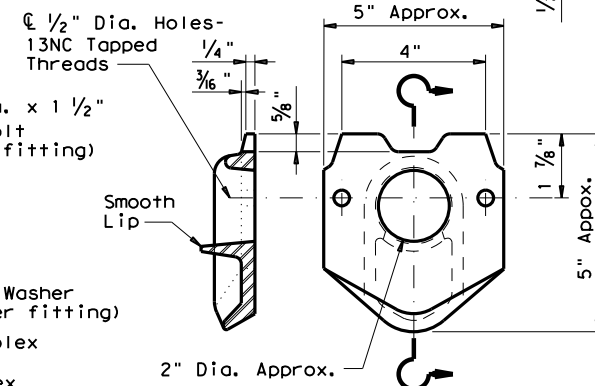


LOWER SIMPLEX FITTING

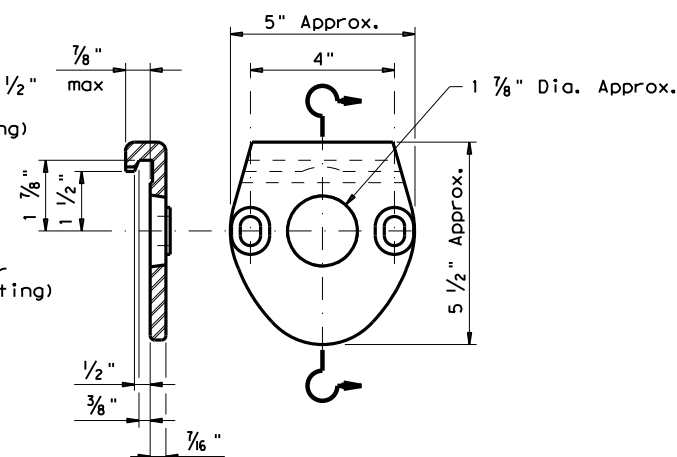
LOWER SIMPLEX FITTING

SECTION A-A

SECTION B-B



POLE SIMPLEX DETAIL



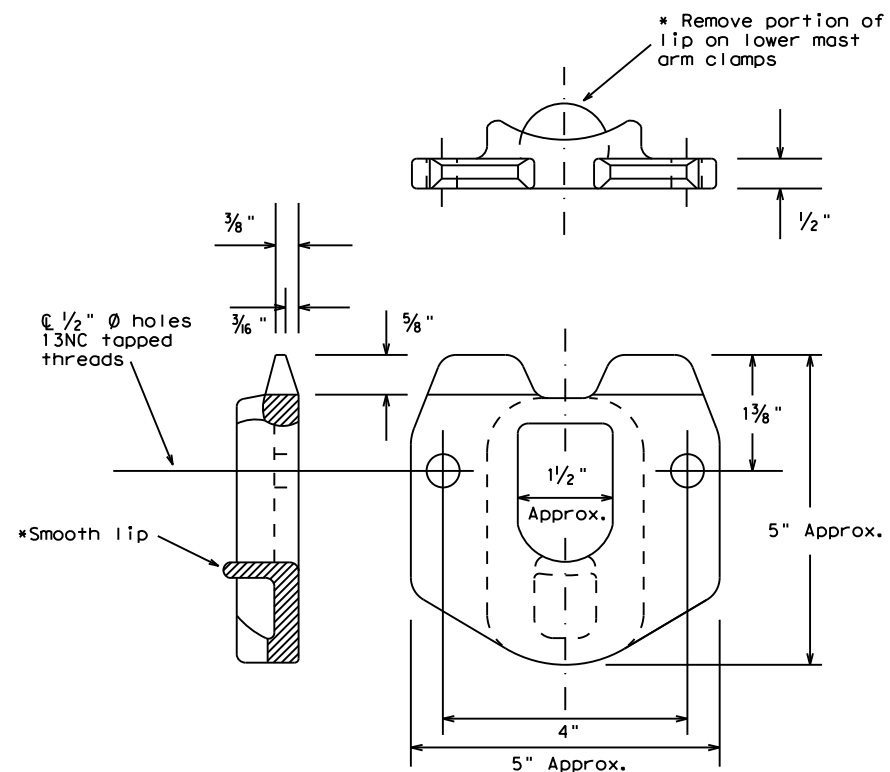
ARM SIMPLEX DETAIL

Texas Department of Transportation
 Traffic Operations Division
STANDARD ASSEMBLY DRAWINGS FOR LUMINAIRE SUPPORT STRUCTURES
ARM DETAILS
LUM-A-12

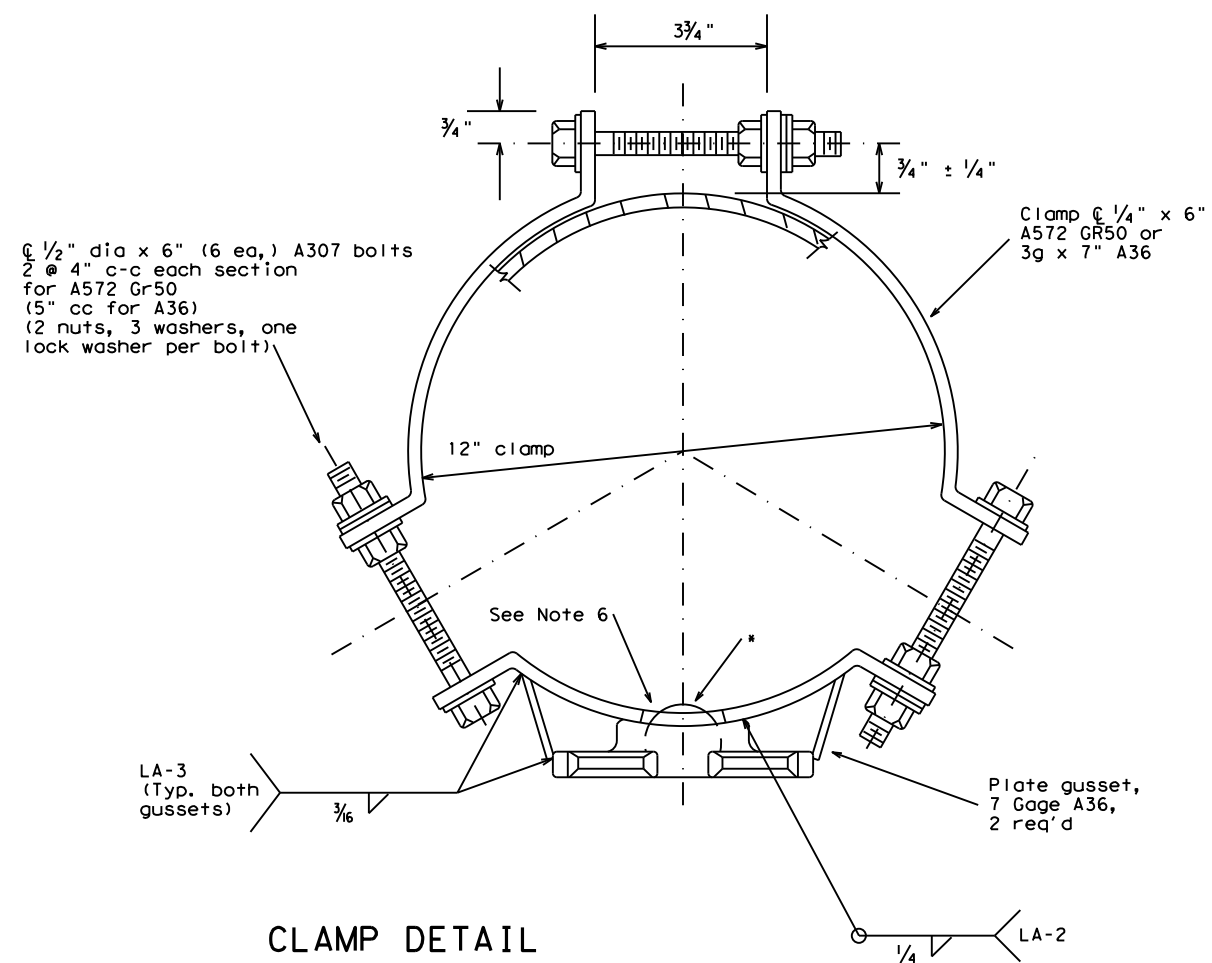
© TxDOT August 1995		DN: LEH	CK: JSY	DW: LTT	CK: TEB
5-96	REVISIONS	CONT	SECT	JOB	HIGHWAY
1-99		0915 00		253	VARIOUS
1-12		DIST	COUNTY		SHEET NO.
		SAT	BEXAR		91

DISCLAIMER: The use of this standard is governed by the "Texas Engineering Practice Act". No warranty of any kind is made by TxDOT for any purpose whatsoever. TxDOT assumes no responsibility for the conversion of this standard to other formats or for incorrect results or damages resulting from its use.

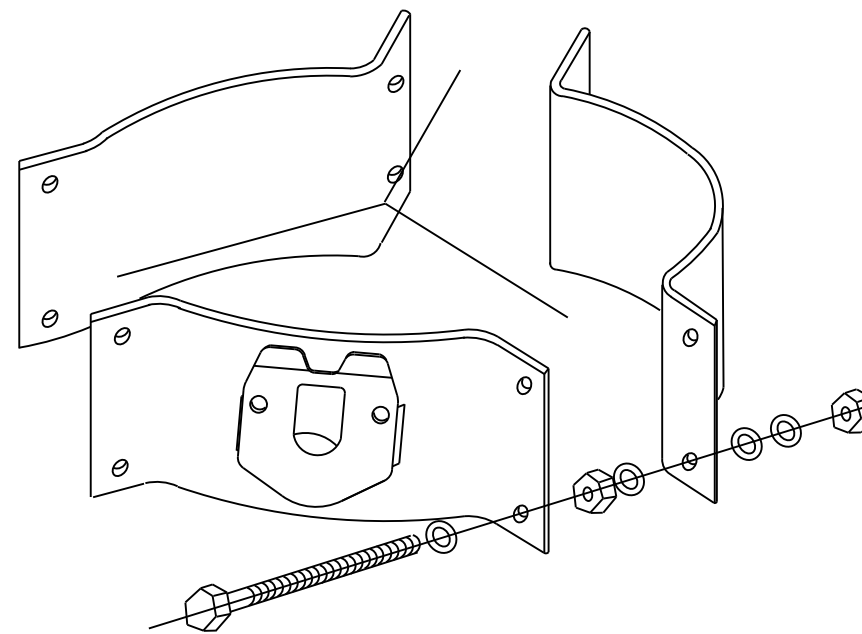
DATE: 10/17/2022 1:55:11 PM
 FILE: I:\Traffic\Design\District PS&E Tracking\Plan_Review\Bexar\0915-00-253 (Districtwide Non-Site Specific Traffic Signals)\Standards\cfa.dgn



POLE SIMPLEX DETAILS



CLAMP DETAIL



For 8.9 - 12 inch diameter Signal Poles
 (Two req'd for each mast arm)

OTHER MATERIALS:

1. Pole simplex shall be ASTM A27 GR65-35 or A148 GR80-50 or A576 GR1021. ASTM A576 must be suitable for forging and also meet minimum tensile of 65ksi, minimum yield of 35ksi, and a minimum elongation of 22 percent in 2 inches.
2. Welded tabs and backplates shall be ASTM A-36 steel or better.
3. Nylon insert locknuts shall conform to ASTM A563.

GENERAL NOTES:

1. Materials and fabrication shall be in accordance with Standard Sheet "MA-C" and with the details, dimensions, and weld procedures shown herein. Weld references call for preapproved weld procedures which the Fabricator must obtain prior to fabrication. In the absence of specified fabrication tolerances, dimensions shall be within the tolerances generally obtainable in normal fabrication practice.
2. All parts shall be galvanized after fabrication in accordance with Item 445, "Galvanizing". The throat of the Simplex shall be made free of all rough or sharp edges resulting from the galvanizing process.
3. Each simplex fitting shall be supplied with 2 ASTM A325 bolts, 1/2 in. x 1 1/2 in. and 2 lock washers. The bolts and lock washers shall be secured to the clamp with the other hardware items. The Fabricator shall ship clamp assembly together in a single package, including all bolts, nuts, and washers required for the clamp and simplex fitting.
4. Design conforms to 1994 AASHTO "Standard Specifications for Structural Supports for Highway Signs, Luminaires, and Traffic Signals" and interim revisions thereto. Design Wind Speed equals 80 mph plus a 1.3 gust factor. Clamps are designed to support a 60 lb. luminaire having an effective projected area (actual area times drag coefficient) of 1.6 sq. ft., 12 ft. maximum arm length.
5. Each assembly shall consist of one upper piece simplex fitting having a smooth lip and one lower piece simplex fitting with the lip removed.
6. Approximately 2 in. diameter hole in upper mast arm clamp.

Texas Department of Transportation
 Traffic Operations Division

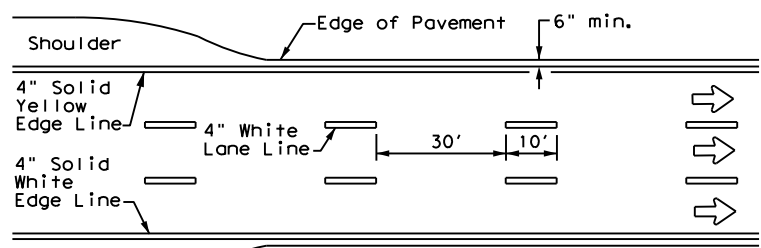
CLAMP ON FITTING ASSEMBLY FOR LUMINAIRE MAST ARM

CFA-12

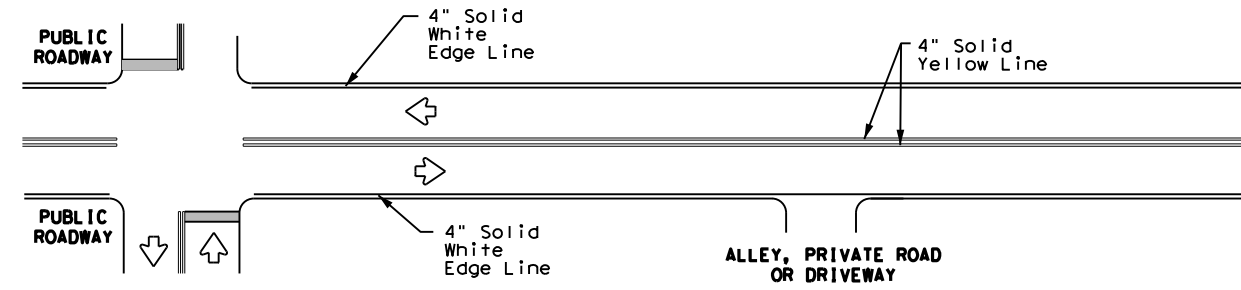
© TxDOT	DN: KAB	CK: RES	DW: FDN	CK: CAL
11-99	REVISIONS		CONT	SECT
1-12	0915	00	253	VARIOUS
	DIST	COUNTY	SHEET NO.	
	SAT	BEXAR	92	

DISCLAIMER: The use of this standard is governed by the "Texas Engineering Practice Act". No warranty of any kind is made by TxDOT for any purpose whatsoever. TxDOT assumes no responsibility for the conversion of units or for the use of this standard in any other manner than that intended by the original author.

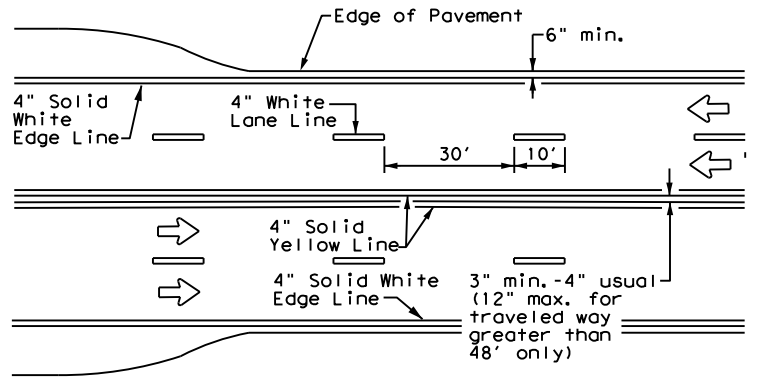
DATE: 10/17/2022 1:55:11 PM
 FILE: I:\Traffic\Design\District PS&E Tracking\Plan_Review\Bexar\0915-00-255 ID: 10/17/2022 1:55:11 PM



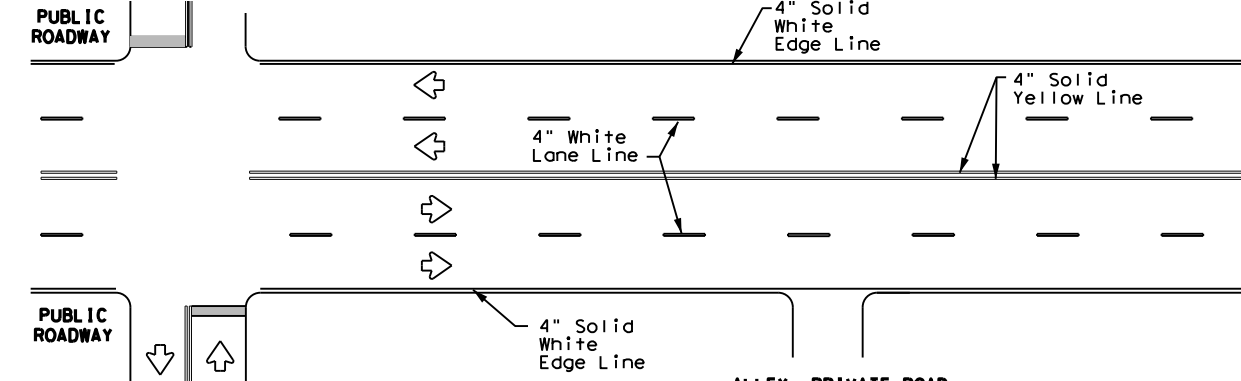
**EDGE LINE AND LANE LINES
ONE-WAY ROADWAY
WITH OR WITHOUT SHOULDERS**



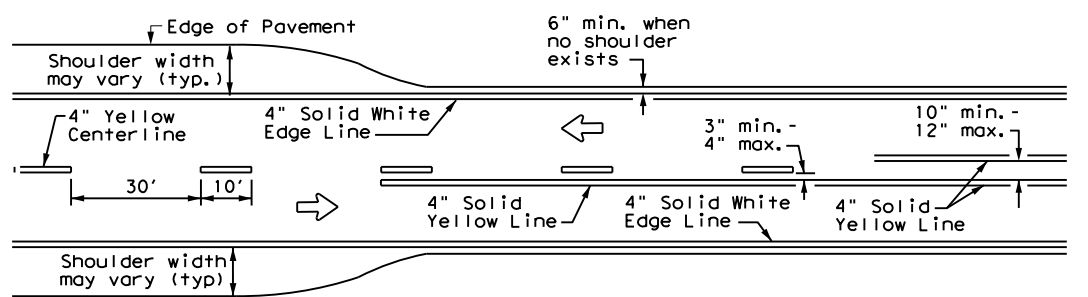
**TYPICAL TWO-LANE, TWO-WAY PAVEMENT
MARKINGS THROUGH INTERSECTIONS**



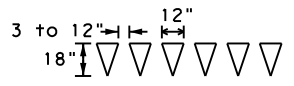
**CENTERLINE AND LANE LINES
FOUR LANE TWO-WAY ROADWAY
WITH OR WITHOUT SHOULDERS**



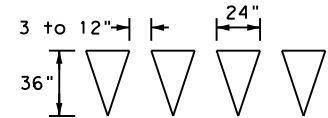
**TYPICAL MULTI-LANE, TWO-WAY PAVEMENT
MARKINGS THROUGH INTERSECTIONS**



**TWO LANE TWO-WAY ROADWAY
WITH OR WITHOUT SHOULDERS**

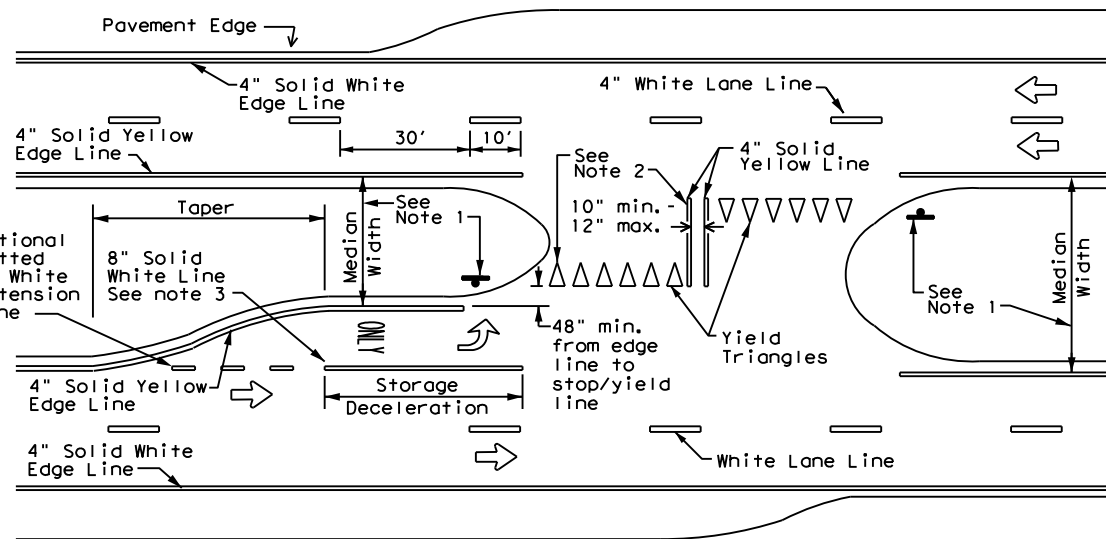


For posted speed on road being marked equal to or less than 40 MPH.



For posted speed on road being marked equal to or greater than 45 MPH.

YIELD LINES



FOUR LANE DIVIDED ROADWAY CROSSOVERS

NOTES

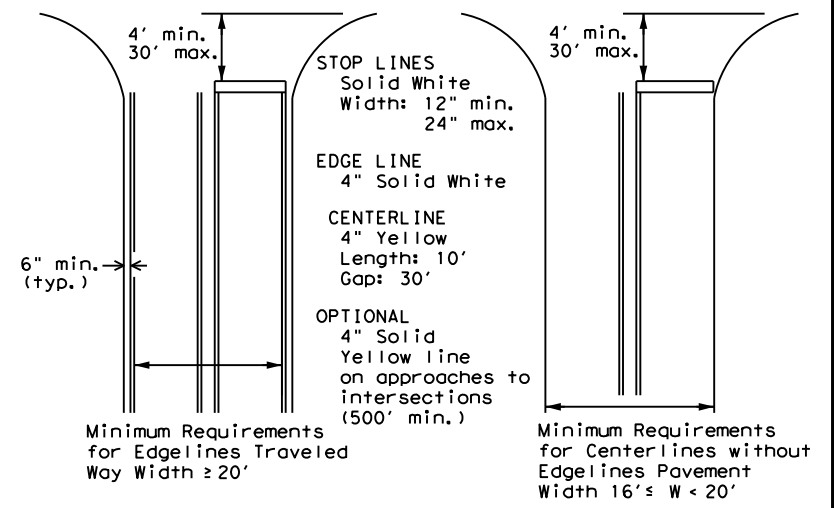
- Where divided highways are separated by median widths at the median opening itself of 30 feet or more, median openings shall be signed as two separate intersections. Each median opening has two width measurements, with one measurement for each approach. The narrow median width will be the controlling width to determine if signs are required. Yield signs are the typical intersection control. Stop signs are optional as determined by the Engineer.
- Install median striping (double yellow centerlines and stop bars/yield triangles) when a 50' or greater median centerline can be placed. Stop bars shall only be used with stop signs. Yield triangles shall only be used with yield signs.
- Length of turn bays, including taper, deceleration, and storage lengths shall be as shown on the plans or as directed by the Engineer.

GENERAL NOTES

- Edgeline striping shall be as shown in the plans or as directed by the Engineer. The edgeline should not be placed less than 6 inches from the edge of pavement. This distance may vary due to pavement raveling or other conditions. Edgelines are not required in curb and gutter sections of roadways.
- The traveled way includes only that portion of the roadway used for vehicular travel. It does not include the parking lanes, sidewalks, berms and shoulders. The traveled ways shall be measured from the inside of edgeline to the inside of edgeline of a two lane roadway.

MATERIAL SPECIFICATIONS	
PAVEMENT MARKERS (REFLECTORIZED)	DMS-4200
EPOXY AND ADHESIVES	DMS-6100
BITUMINOUS ADHESIVE FOR PAVEMENT MARKERS	DMS-6130
TRAFFIC PAINT	DMS-8200
HOT APPLIED THERMOPLASTIC	DMS-8220
PERMANENT PREFABRICATED PAVEMENT MARKINGS	DMS-8240

All pavement marking materials shall meet the required Departmental Material Specifications as specified by the plans.



**GUIDE FOR PLACEMENT OF STOP LINES,
EDGE LINE & CENTERLINE**

Based on Traveled Way and Pavement Widths for Undivided Highways



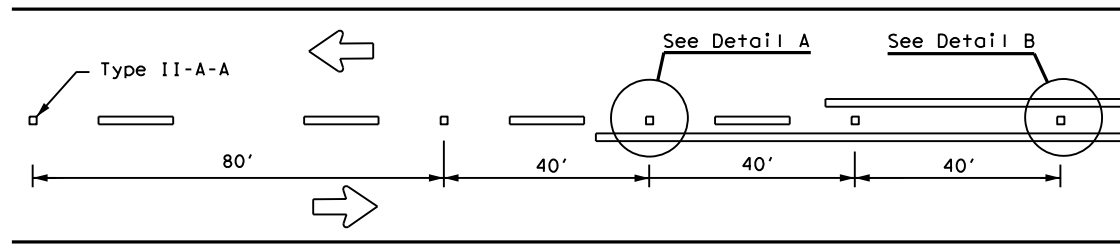
**TYPICAL STANDARD
PAVEMENT MARKINGS**

PM(1) - 20

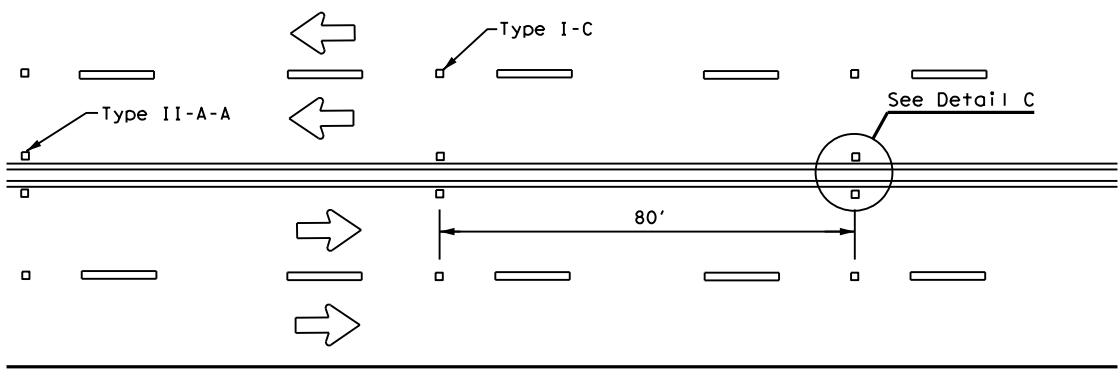
FILE: pm1-20.dgn	DN:	CK:	DW:	CK:
© TxDOT November 1978	CONT	SECT	JOB	HIGHWAY
8-95 3-03 REVISIONS	0915	00	253	VARIOUS
5-00 2-12	DIST	COUNTY	SHEET NO.	
8-00 6-20	SAT	BEXAR	93	

REFLECTIVE RAISED PAVEMENT MARKERS FOR VEHICLE POSITIONING GUIDANCE

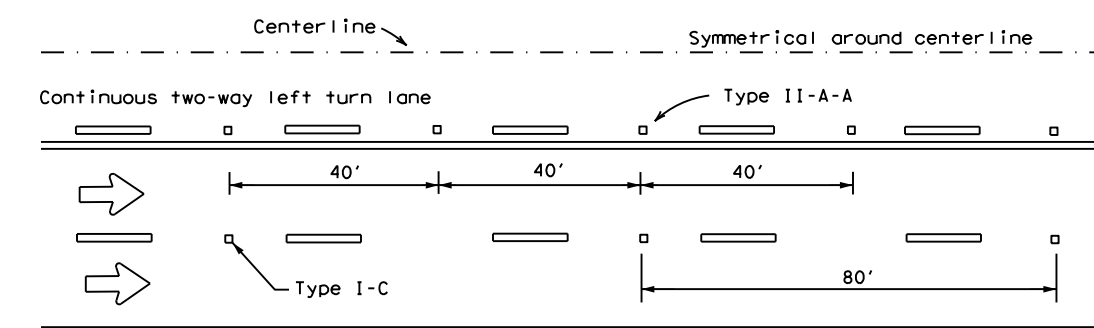
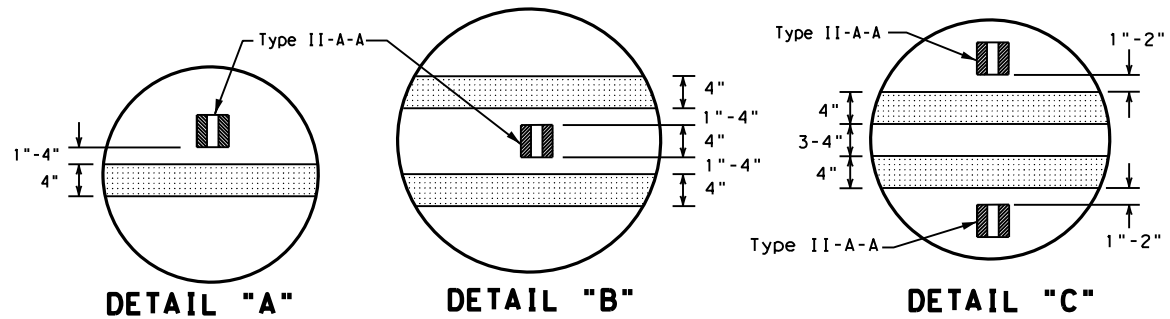
DISCLAIMER: The use of this standard is governed by the "Texas Engineering Practice Act". No warranty of any kind is made by TxDOT for any purpose whatsoever. TxDOT assumes no responsibility for the conversion of units or for the accuracy of the information contained herein.



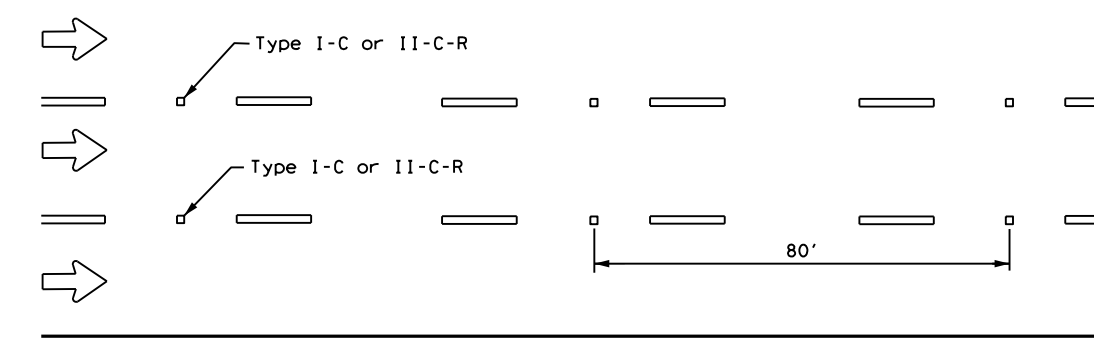
CENTERLINE FOR ALL TWO LANE ROADWAYS



**CENTERLINE & LANE LINES
FOR FOUR LANE TWO-WAY HIGHWAYS**



CENTERLINE AND LANE LINES FOR TWO-WAY LEFT TURN LANE

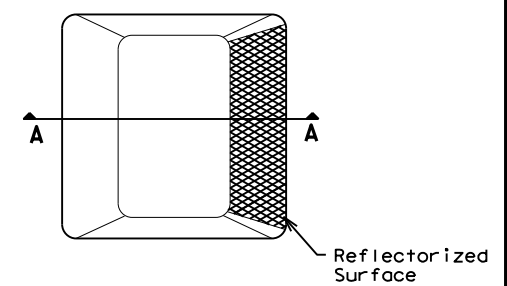


LANE LINES FOR ONE-WAY ROADWAY (NON-FREEWAY FACILITIES)

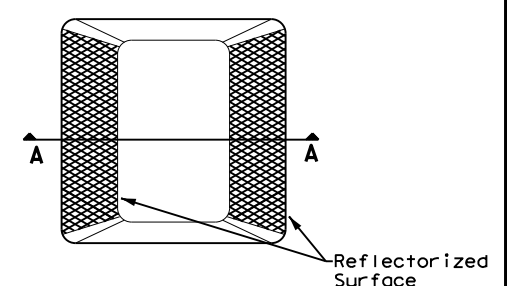
Raised pavement markers Type II-C-R shall have clear face toward normal traffic and red face toward wrong-way traffic.

MATERIAL SPECIFICATIONS	
PAVEMENT MARKERS (REFLECTORIZED)	DMS-4200
EPOXY AND ADHESIVES	DMS-6100
BITUMINOUS ADHESIVE FOR PAVEMENT MARKERS	DMS-6130
TRAFFIC PAINT	DMS-8200
HOT APPLIED THERMOPLASTIC	DMS-8220
PERMANENT PREFABRICATED PAVEMENT MARKINGS	DMS-8240

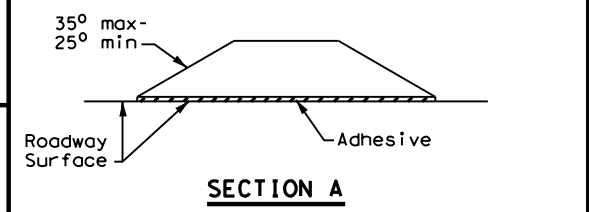
All pavement marking materials shall meet the required Departmental Material Specifications as specified by the plans.



Type I (Top View)



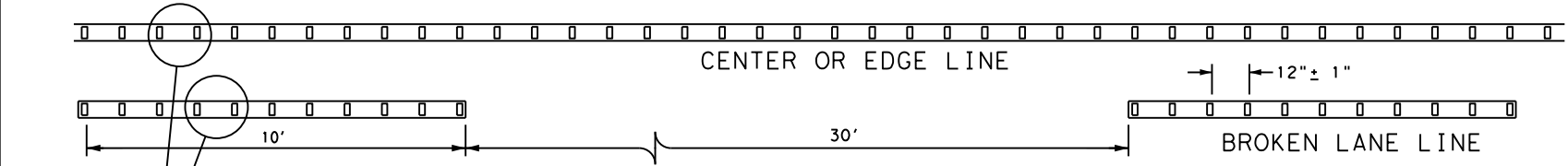
Type II (Top View)



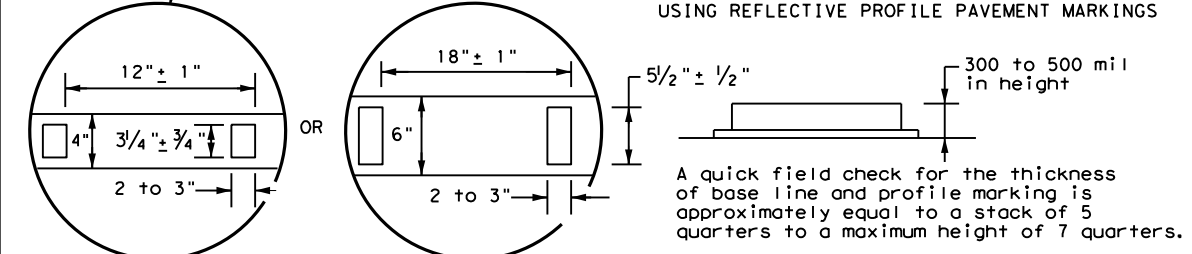
RAISED PAVEMENT MARKERS

GENERAL NOTES

1. All raised pavement markers placed in broken lines shall be placed in line with and midway between the stripes.
2. On concrete pavements the raised pavement markers should be placed to one side of the longitudinal joints.



**REFLECTORIZED PROFILE PATTERN DETAIL
USING REFLECTIVE PROFILE PAVEMENT MARKINGS**



NOTE
Profile markings shall not be placed on roadways with a posted speed limit of 45 MPH or less.

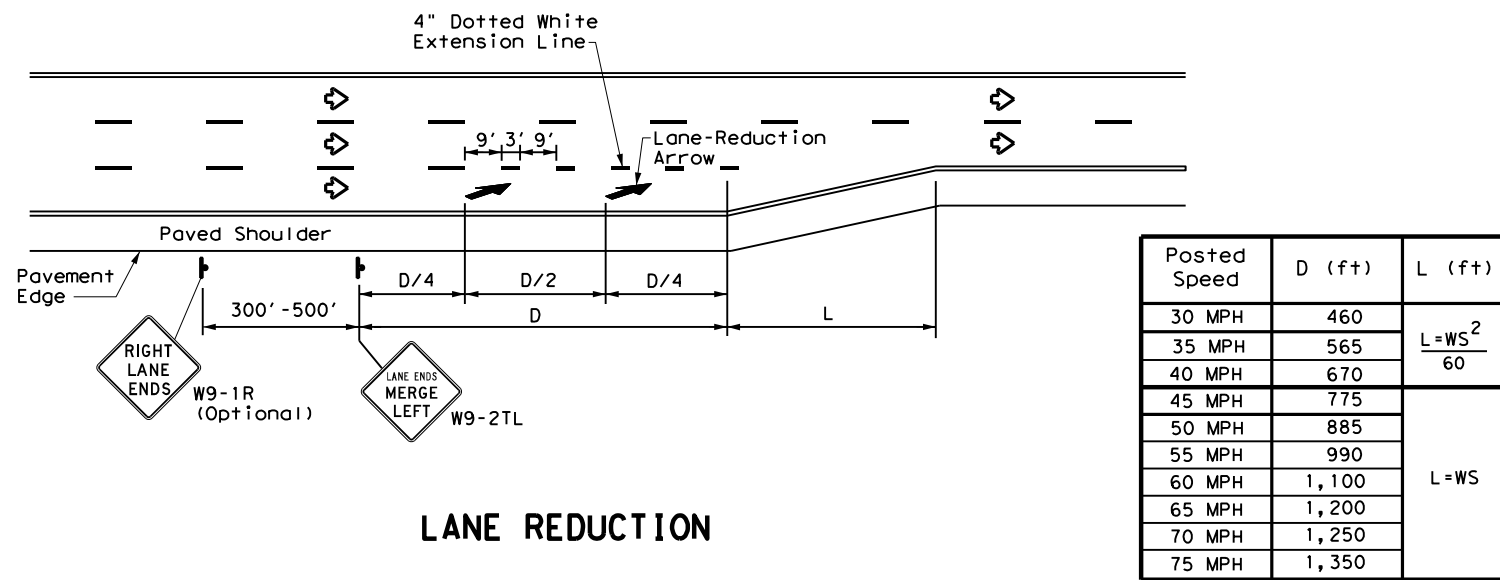


POSITION GUIDANCE USING RAISED MARKERS REFLECTORIZED PROFILE MARKINGS PM(2) - 20

FILE: pm2-20.dgn	DN:	CK:	DW:	CK:
© TxDOT April 1977	CONT	SECT	JOB	HIGHWAY
4-92 2-10 REVISIONS	0915	00	253	VARIOUS
5-00 2-12	DIST	COUNTY	SHEET NO.	
8-00 6-20	SAT	BEXAR	94	

DISCLAIMER: The use of this standard is governed by the "Texas Engineering Practice Act". No warranty of any kind is made by TxDOT for any purpose whatsoever. TxDOT assumes no responsibility for the conversion of units or for the accuracy of the information contained herein. TxDOT is not responsible for any errors or omissions in this standard.

DATE: 10/17/2022 1:55:12 PM
 FILE: I:\Traffic\Design\District PS&E Tracking\Plan_Review\Bexar\0915-00-253\TID\0915-00-253-000-000.dwg



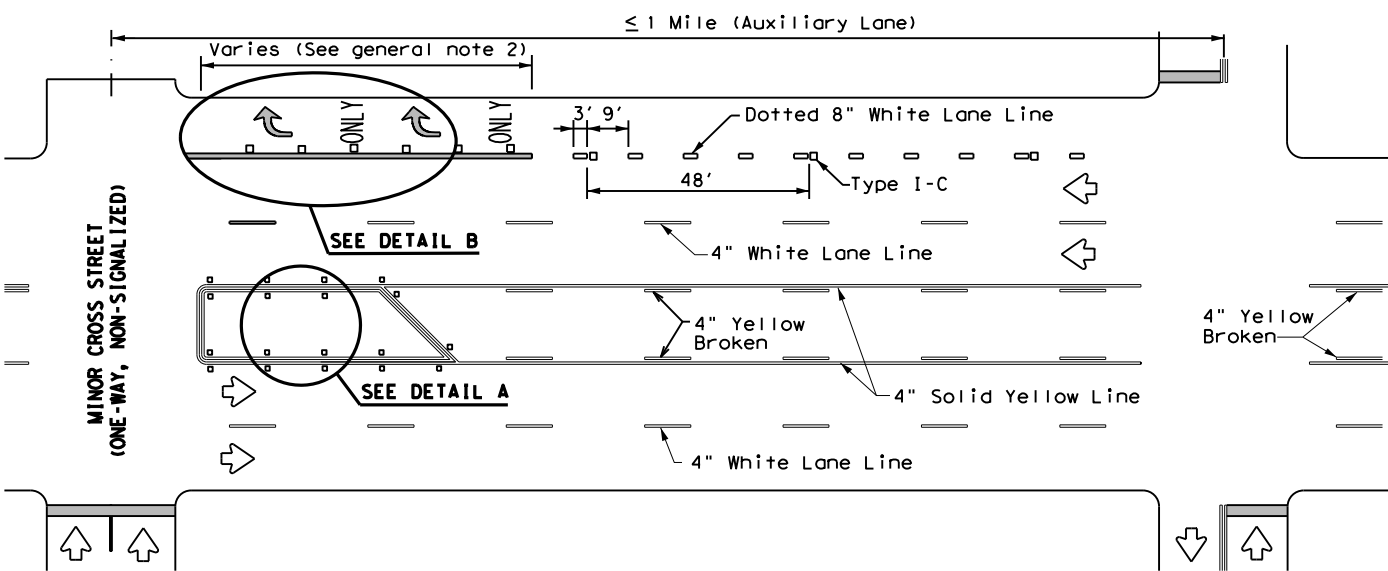
LANE REDUCTION

NOTES

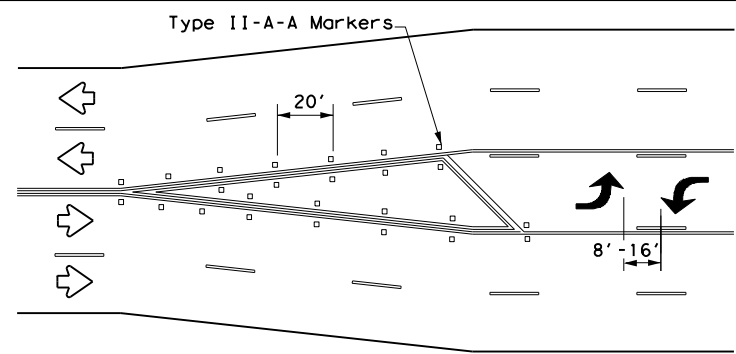
- Lane reduction pavement markings are used where the number of through lanes is reduced because of narrowing of the roadway or because of a section of on-street parking in what would otherwise be a through lane. For Texas Super 2 Passing Lanes, see TS2(PL) standard sheets.
- On divided highways, an additional W9-1R "RIGHT LANE ENDS" sign may be installed in the median aligned with the W9-1R sign on the right side of the highway.
- Lane reduction arrows are required for speeds of 45 mph or greater. An optional third lane reduction arrow may be added based on engineering judgement. If used, the optional third lane reduction arrow should be centered between the first and last lane reduction arrows.
- For lane reductions on Freeways and Expressways, signing shall conform to the TxDOT Freeway Signing Handbook.

GENERAL NOTES

- Lane use word and arrow markings shall be used where through lanes approaching an intersection become mandatory turn lanes. Lane use word and arrow markings should be used in auxiliary lanes of substantial length. Lane use arrow markings or word and arrow markings may be used in other lanes and turn bays for emphasis. Details for words and arrows are as shown in the Standard Highway Sign Designs for Texas.
- When lane-use words and arrow markings are used, two sets of arrows should be used if the length of the bay is greater than 180 feet. When a single lane use arrow or word and arrow marking is used for a short turn lane, it should be located at or near the upstream end of the full-width turn lane.
- Use raised pavement marker Type I-C with undivided highways, flush medians and two way left turn lanes. Use raised pavement marker Type II-C-R with divided highways and raised medians.
- Length of turn bays, including taper, deceleration, and storage lengths shall be as shown on the plans or as directed by the Engineer.



TYPICAL TWLTL AT ONE-WAY STREET AND RIGHT TURN AUXILIARY LANE

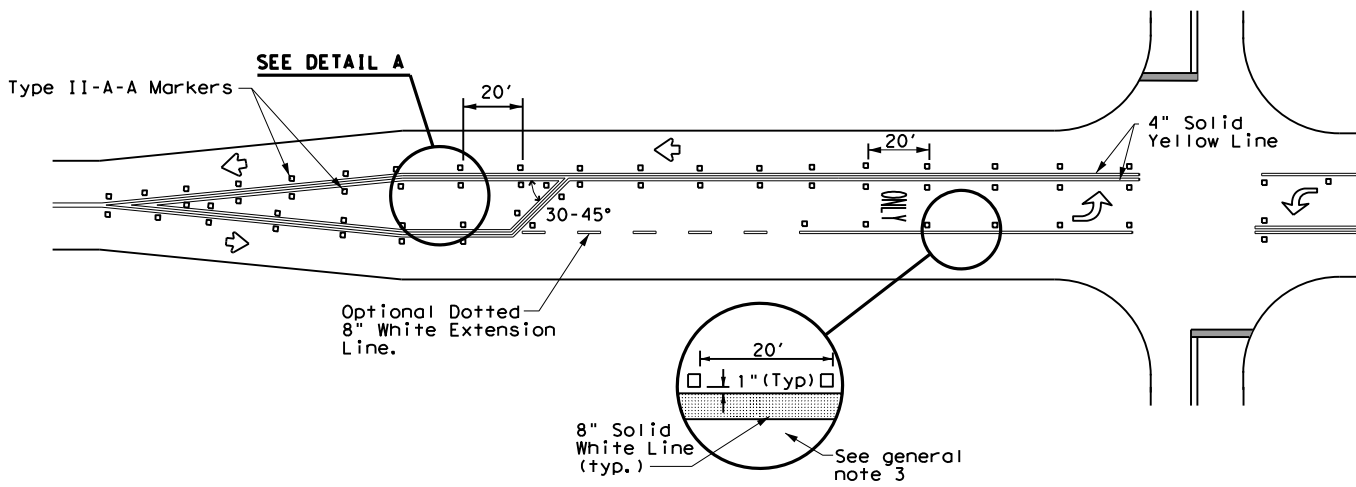


A two-way left-turn (TWLTL) lane-use arrow pavement marking should be used at or just downstream from the beginning of a two-way left-turn lane within a corridor. Repeating the marking after each intersection or dedicated turn bay is not required unless stated elsewhere in the plans.

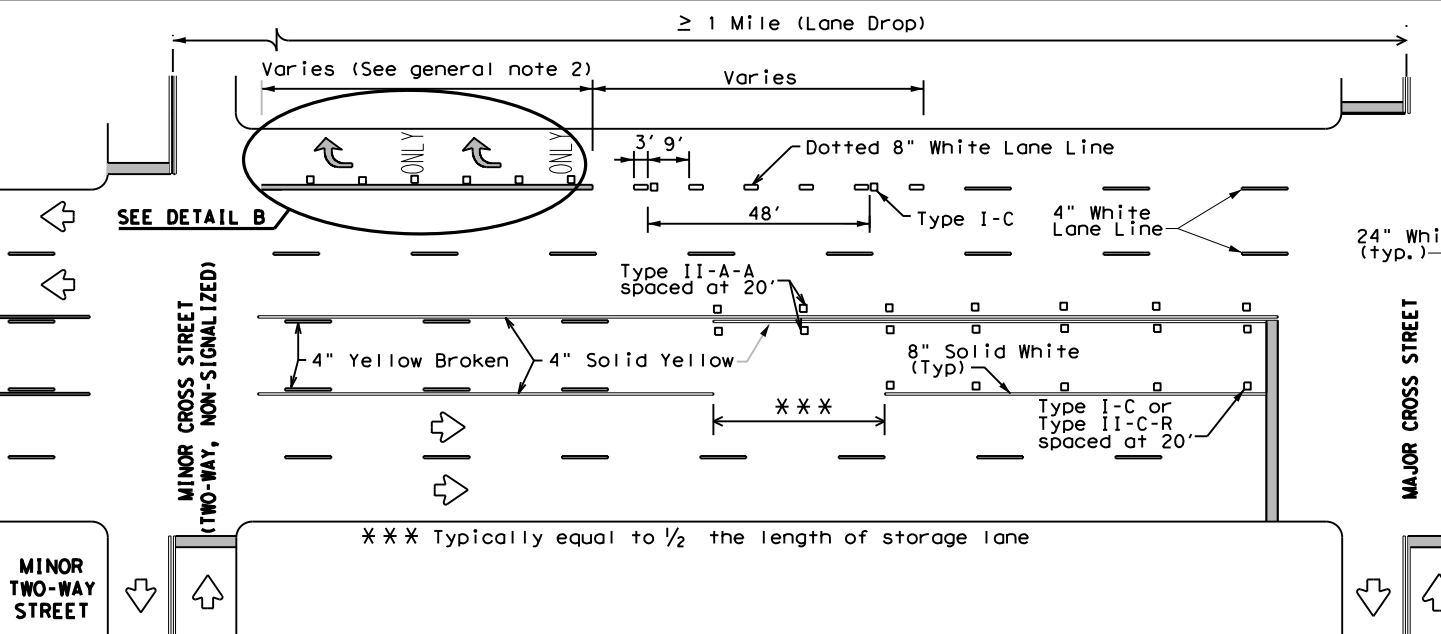
TYPICAL TRANSITION FOR TWLTL AND DIVIDED HIGHWAY

MATERIAL SPECIFICATIONS	
PAVEMENT MARKERS (REFLECTORIZED)	DMS-4200
EPOXY AND ADHESIVES	DMS-6100
BITUMINOUS ADHESIVE FOR PAVEMENT MARKERS	DMS-6130
TRAFFIC PAINT	DMS-8200
HOT APPLIED THERMOPLASTIC	DMS-8220
PERMANENT PREFABRICATED PAVEMENT MARKINGS	DMS-8240

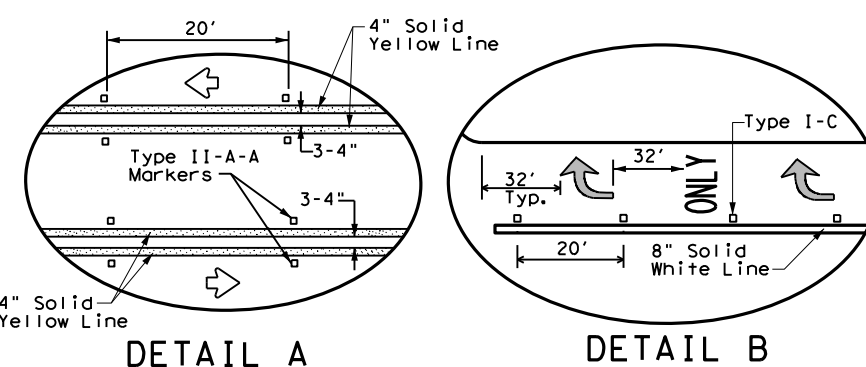
All pavement marking materials shall meet the required Departmental Material Specifications as specified by the plans.



TYPICAL TWO-LANE HIGHWAY INTERSECTION WITH LEFT TURN BAYS



TYPICAL TWLTL AT TWO-WAY CROSS STREET AND RIGHT TURN LANE DROP



DETAIL A

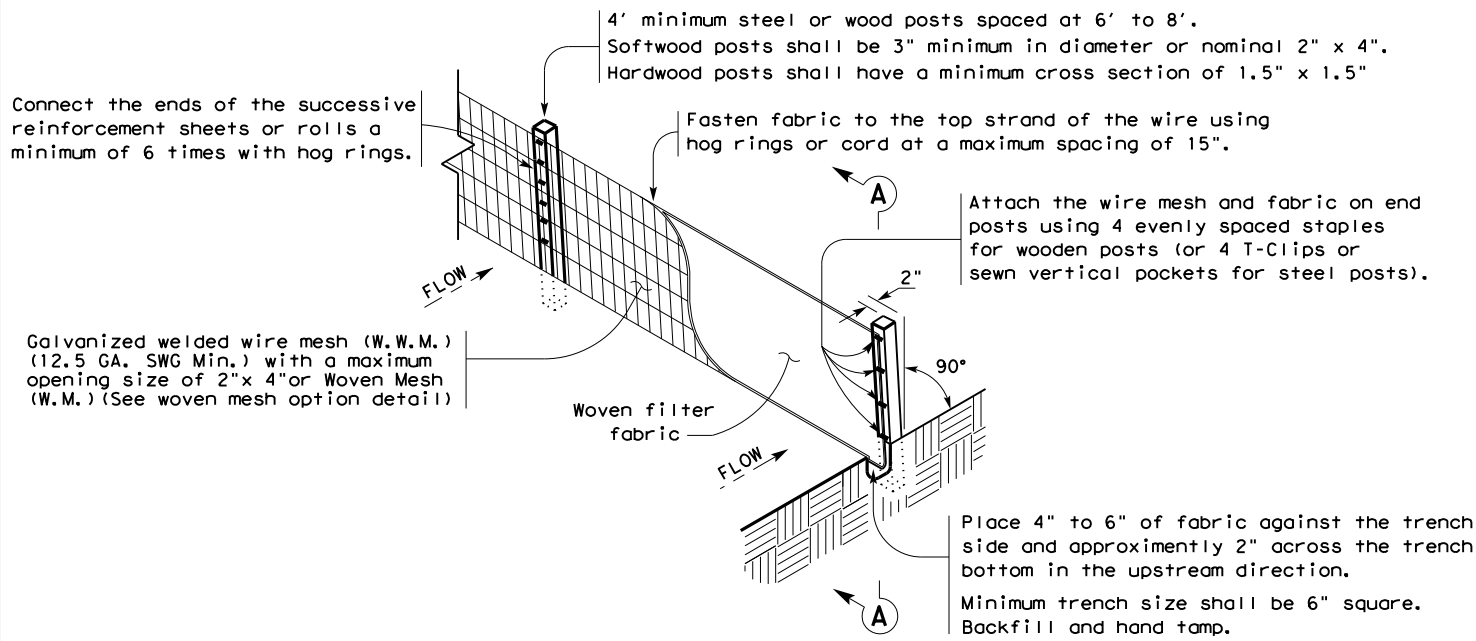
DETAIL B

Texas Department of Transportation
 Traffic Safety Division Standard

TWO-WAY LEFT TURN LANES, RURAL LEFT TURN BAYS, AND LANE REDUCTION PAVEMENT MARKINGS PM(3) - 20

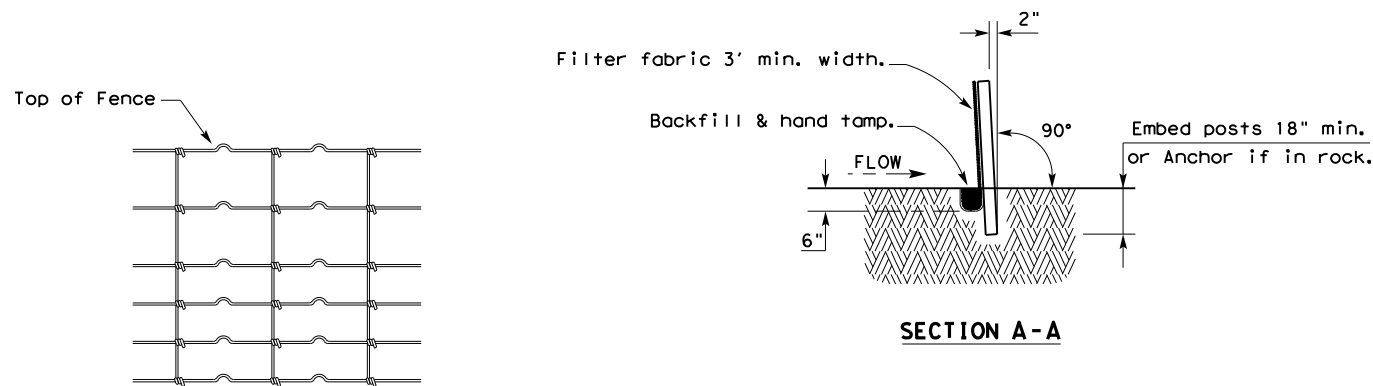
FILE: pm3-20.dgn	DN:	CK:	DW:	CK:
© TxDOT April 1998	CONT	SECT	JOB	HIGHWAY
REVISIONS	0915 00	253	VARIOUS	
5-00 2-10	DIST	COUNTY	SHEET NO.	
8-00 2-12	SAT	BEXAR	95	
3-03 6-20				

1 DATE/2022
 T:\Effic\Design\District PS&E Tracking\Plan Review\Bexar\0915-00-253 (Districtwide Non-Site Specific Traffic Signals)\Standards\SW3P\ec116.dgn
 DISCLAIMER: The use of this standard is governed by the "Texas Engineering Practice Act". No warranty of any kind is made by TxDOT for any purpose whatsoever. TxDOT assumes no responsibility for the conversion of this standard to other formats or for incorrect results or damages resulting from its use.



TEMPORARY SEDIMENT CONTROL FENCE

SCF



HINGE JOINT KNOT WOVEN MESH (OPTION) DETAIL

Galvanized hinge joint knot woven mesh (12.5 GA. SWG Min.) requires a minimum of five horizontal wires spaced at a maximum of 12 inches apart and all vertical wires spaced at a maximum of 12 inches apart.

SEDIMENT CONTROL FENCE USAGE GUIDELINES

A sediment control fence may be constructed near the downstream perimeter of a disturbed area along a contour to intercept sediment from overland runoff. A 2 year storm frequency may be used to calculate the flow rate to be filtered.

Sediment control fence should be sized to filter a maximum flow through rate of 100 GPM/FT². Sediment control fence is not recommended to control erosion from a drainage area larger than 2 acres.

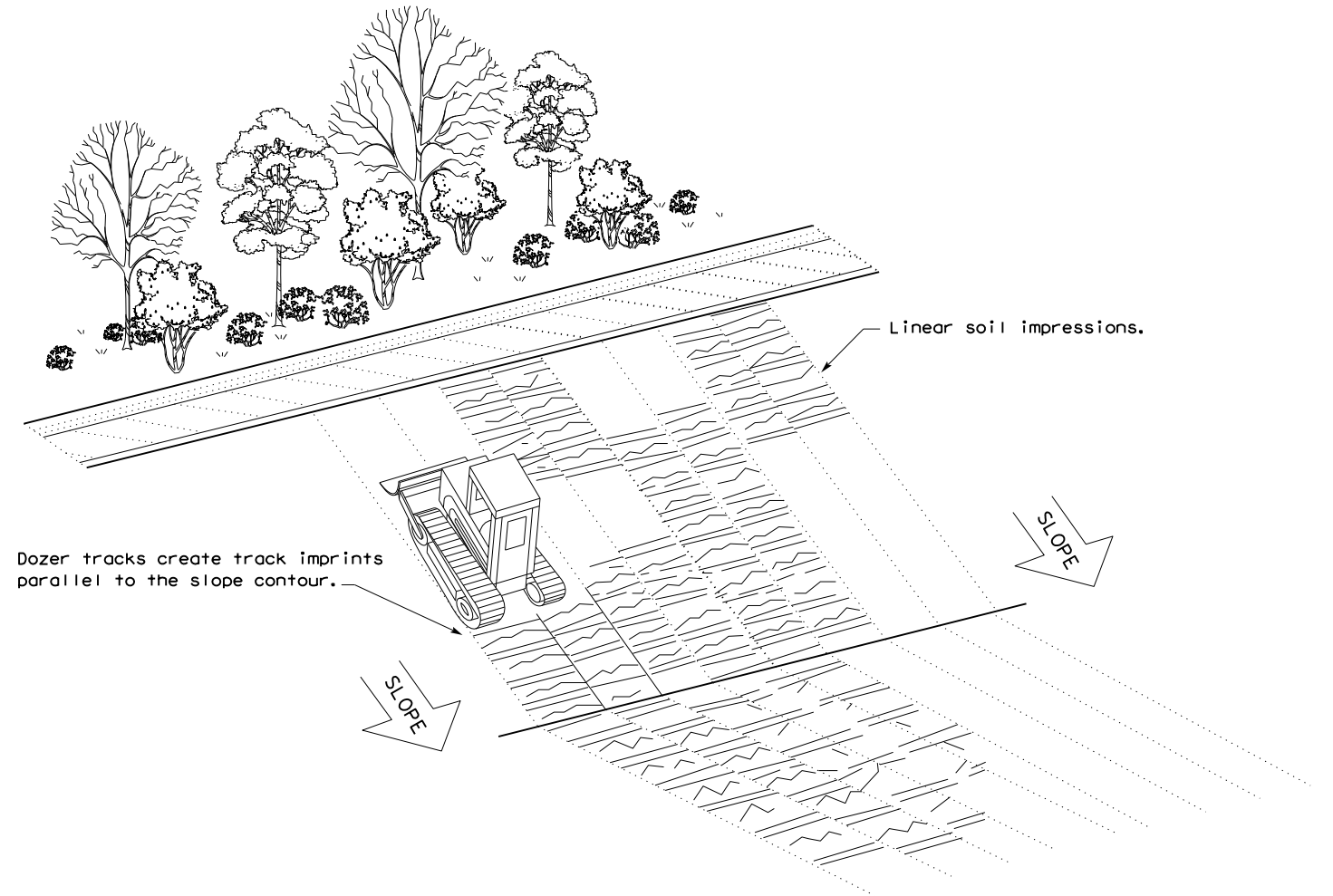
LEGEND

Sediment Control Fence

SCF

GENERAL NOTES

1. Vertical tracking is required on projects where soil distributing activities have occurred unless otherwise approved.
2. Perform vertical tracking on slopes to temporarily stabilize soil.
3. Provide equipment with a track undercarriage capable of producing linear soil impressions measuring a minimum of 12" in length by 2" to 4" in width by 1/2" to 2" in depth.
4. Do not exceed 12" between track impressions.
5. Install continuous linear track impressions where the minimum 12" length impressions are perpendicular to the slope or direction of water flow.



VERTICAL TRACKING

Texas Department of Transportation				Design Division Standard	
TEMPORARY EROSION, SEDIMENT AND WATER POLLUTION CONTROL MEASURES FENCE & VERTICAL TRACKING EC(1) - 16					
FILE: ec116	DN: TxDOT	CK: KM	DW: VP	DN/CK: LS	
© TxDOT: JULY 2016	CONT	SECT	JOB	HIGHWAY	
REVISIONS	0915	00	253	VARIOUS	
	DIST	COUNTY	SHEET NO.		
	SAT	BEXAR	96		

A. GENERAL SITE DATA

- 1. **PROJECT LIMITS:** Same as stated on the Title Sheet
- 2. **PROJECT SITE MAPS:**
 - * Project Latitude _____ Project Longitude _____
 - * Project Location Map: Shown on Title Sheet
 - * Drainage Patterns: Shown on Drainage Area Maps (Sheets X-Y)
 - * Approx. Slopes Anticipated After Major Gradings and Areas of Soil Disturbance: Shown on Typical Sections (Sheets X-Y)
 - * Major Controls and Locations of Stabilization Practices: Shown on SW3P Sheets (Sheets X-Y)
 - * Project Specific Locations: Off-site waste, borrow, or storage areas are not part of this SW3P.
 - * Surface Waters and Discharge Locations: Shown on Drainage and Culvert Layout Sheets (Sheets X-Y)

- 3. **PROJECT DESCRIPTION:** Same description as stated on Title Sheet
 - * Joint-bid utilities are covered by this SW3P (Sheets X-Y)
 - Non-Joint Bid Utilities are not part of this SW3P.

- 4. **FOR MAJOR SOIL DISTURBING ACTIVITIES SEQUENCE OF EVENTS:**
 1. Install controls down-slope of work area and initiate inspection and maintenance activities.
 2. Begin phased construction with interim stabilization practices. Adjust erosion and sedimentation controls during construction to meet requirements and changing conditions and as directed/approved by the Engineer.
 3. Major soil disturbing activities may include but are not limited to: right-of-way preparation, cut and/or fill to improve roadway profile, final grading and placement of topsoil and the following (if marked):
 - ___ Placement of road base
 - ___ Extensive ditch grading
 - ___ Upgrading or replacing culverts or bridges
 - ___ Temporary detour road(s)
 - ___ Other: _____

- 5. **EXISTING AND PROPOSED CONDITIONS:**
 - Description of existing vegetative cover: (Provide type and description of vegetative cover)
 - Percentage of existing vegetative cover: (Provide percentage)
 - Existing vegetative cover: (mark one)
 - ___ Thick or uniformly established
 - Thin and Patchy
 - ___ None or minimal cover
 - Description of soils: (Provide classification and description of soils)
 - Site Acreage: 0 Acreage disturbed: 0
 - Site runoff coefficient (pre-construction): _____ Site runoff coefficient (post-construction): _____

- 6. **RECEIVING WATERS:** (Mark all that apply)
 - A classified stream does not pass through project.
 - ___ A classified stream passes through project. Name _____ Segment Number _____
 - Name of receiving waters that will receive discharges from disturbed areas of the project: _____
 - Site is in a Municipal Separate Storm Sewer System (MS4). MS4 Operator (name): TXDOT

B. BEST MANAGEMENT PRACTICES

General timing or sequence for implementation of BMPs shall be as required and/or as directed/approved by the Engineer to provide adequate controls. BMPs shown on plan sheets are to be considered "proposed" unless/until install date is shown. BMPs are to reduce sediments from road construction activities.

- 1. **SOIL STABILIZATION PRACTICES:** (Select T = Temporary or P = Permanent, as applicable)

___ SEEDING	<input checked="" type="checkbox"/> PRESERVATION OF NATURAL RESOURCES
___ MULCHING (Hay or Straw)	___ FLEXIBLE CHANNEL LINER
___ BUFFER ZONES	___ RIGID CHANNEL LINER
___ PLANTING	___ SOIL RETENTION BLANKET
___ COMPOST/MULCH FILTER BERM	___ COMPOST MANUFACTURED TOPSOIL
___ SODDING	___ OTHER: (Specify Practice)
- 2. **STRUCTURAL PRACTICES:** (Select T = Temporary or P = Permanent, as applicable)
 - ___ SILT FENCES
 - ___ HAY BALES
 - ___ ROCK FILTER DAMS
 - ___ DIVERSION, INTERCEPTOR, OR PERIMETER DIKES
 - ___ DIVERSION, INTERCEPTOR, OR PERIMETER SWALES
 - ___ DIVERSION DIKE AND SWALE COMBINATIONS
 - ___ PIPE SLOPE DRAINS
 - ___ PAVED FLUMES
 - ___ ROCK BEDDING AT CONSTRUCTION EXIT
 - ___ TIMBER MATTING AT CONSTRUCTION EXIT
 - ___ CHANNEL LINERS
 - ___ SEDIMENT TRAPS
 - ___ SEDIMENT BASINS
 - ___ STORM INLET SEDIMENT TRAP
 - ___ STONE OUTLET STRUCTURES
 - ___ CURBS AND GUTTERS
 - ___ STORM SEWERS
 - ___ VELOCITY CONTROL DEVICES
 - ___ OTHER: (Specify Practice)

- 3. **STORM WATER MANAGEMENT:**

The proposed facility was designed in consideration of hydraulic design standards to convey stormwater in a manner that is protective of public safety and property. The control of erosion from the facility is inherent to the design. Additional factors affecting post-construction stormwater at the project location include: (mark all that apply)

 - Existing or new vegetation provides natural filtration.
 - ___ The design includes provisions for permanent erosion controls provided by strategically placed pervious and impervious surfaces.
 - ___ Project includes permanent sedimentation controls (other than grass).
 - ___ Velocities do not require dissipation devices.
 - ___ Velocity-dissipation devices included in the design.
 - ___ Other: _____

- 4. **NON-STORM WATER DISCHARGES:**

Off-site discharges are prohibited except as follows:

 1. Discharges from fire fighting activities and/or fire hydrant flushings.
 2. Vehicle, external building, and pavement wash water where detergents and soaps are not used and where spills or leaks of toxic or hazardous materials have not occurred (unless all spilled material has been removed).
 3. Plain water used to control dust.
 4. Plain water originating from potable water sources.
 5. Uncontaminated groundwater, spring water or accumulated stormwater.
 6. Foundation or footing drains where flows are not contaminated with process materials such as solvents.
 7. Other: _____

Concrete truck wash water discharges on the site should be prohibited or minimized. If allowed by the Engineer, they must be managed in a manner so as not to contaminate surface water. They must not be located in areas of concentrated flow. Concrete truck wash-out locations must be shown on the SW3P Layout and included in the inspections.

Hazardous material spill/leak shall be prevented or minimized. At a minimum, this includes asphalt products, fuels, oils, lubricants, solvents, paints, acids, concrete curing compounds and chemical additives for soil stabilization. BMPs shall be implemented to the storage areas of these products. All spills must be cleaned and disposed properly and reported to the Engineer. Report any release at or above the reportable quantity during a 24 hour period to the National Response Center at 1-800-424-8802.

C. OTHER REQUIREMENTS & PRACTICES

- 1. **MAINTENANCE:**

All erosion and sediment controls shall be maintained in good working order. If a repair is necessary, it shall be performed before the next anticipated storm event but no later than 7 calendar days after the surrounding exposed ground has dried sufficiently to prevent further damage from equipment. If maintenance prior to the next anticipated storm event is impracticable, maintenance must be scheduled and accomplished as soon as practicable. Disturbed areas on which construction activities have ceased, temporarily or permanently, shall be stabilized within 14 calendar days unless they are scheduled to and do resume within 21 calendar days. The areas adjacent to creeks and drainageways shall have priority followed by protecting storm sewer inlets.

- 2. **INSPECTION:**

For areas of the construction site that have not been finally stabilized, areas used for storage of materials, structural control measures, and locations where vehicles enter or exit the site, personnel provided by the permittee and familiar with the SW3P must inspect disturbed areas at least once every seven (7) calendar days. An Inspection and Maintenance Report shall be prepared for each inspection and the controls shall be revised on the SW3P within seven (7) calendar days following the inspection.

- 3. **WASTE MATERIALS:**

All non-hazardous municipal waste materials such as litter, rubbish, trash and garbage located on or originating from the project shall be collected and stored in a securely lidded metal dumpster, provided by the Contractor. The dumpster shall be emptied as necessary or as required by local regulation and the trash shall be hauled to a permitted disposal facility. The burying of non-hazardous municipal waste on the project shall not be permitted. Construction material waste sites, stockpiles and haul roads shall be constructed to minimize and control the amount of sediment that may enter receiving waters. Construction material waste sites shall not be located in any wetland, water body or stream bed. Construction staging areas and vehicle maintenance areas shall be constructed in a manner to minimize the runoff of pollutants.

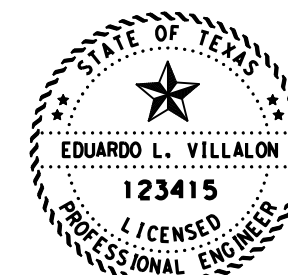
- 4. **OFFSITE VEHICLE TRACKING:**

Off-site vehicle tracking of sediments and the generation of dust must be minimized. Excess sediments on road shall be removed on a regular basis as directed/approved by the Engineer.

- 5. **OTHER:**

See the EPIC sheet for additional environmental information.

Note To Designer:
 1. Do not alter Sheet Design or Font style, size or weight - match text attributes.
 2. If additional space is needed for a numbered section, fence and adjust sections up or down as needed for proportioning and readability but do not relocate from its relative position.



Signature of Registrant & Date: _____, P.E. 10/17/22



STORM WATER POLLUTION PREVENTION PLAN (SW3P)

FED. RD. DIV. NO.	PROJECT NO.			HIGHWAY NO.
6	SEE TITLE SHEET			VARIOUS
STATE	DISTRICT	COUNTY		
TEXAS	SAT	BEXAR		SHEET NO.
CONTROL	SECTION	JOB		
REVISION DATE: 10/12	0915	00	253	97

DISCLAIMER: The use of this standard is governed by the "Texas Engineering Practice Act". No warranty of any kind is made by TxDOT for any purpose whatsoever. TxDOT assumes no responsibility for the conversion of this standard to other formats or for incorrect results or damages resulting from its use.

DATE TIME DOCUMENT NAME

I. STORMWATER POLLUTION PREVENTION-CLEAN WATER ACT SECTION 402

Texas Pollutant Discharge Elimination System (TPDES) TXR 150000: Stormwater Discharge Permit or Construction General Permit (CGP) required for projects with 1 or more acres disturbed soil. Projects with any disturbed soil must protect for erosion and sedimentation in accordance with Item 506.

- No Action Required Required Action

Action No.

- Prevent stormwater pollution by controlling erosion and sedimentation in accordance with TPDES Permit TXR 150000.
- Comply with the Storm Water Pollution Prevention Plan (SW3P) and revise when necessary to control pollution or required by the Engineer.
- Post Construction Site Notice (CSN) with SW3P information on or near the site, accessible to the public and Texas Commission on Environmental Quality (TCEQ), Environmental Protection Agency (EPA) or other inspectors.
- When Contractor project specific locations (PSL's) increase disturbed soil area to 5 acres or more, Contractor shall submit Notice of Intent (NOI) to TCEQ and the Engineer.
- NOI required: Yes No

Note: If amount of soil disturbance changes, permit requirements may change.

II. WORK IN OR NEAR STREAMS, WATERBODIES AND WETLANDS CLEAN WATER ACT SECTIONS 401 AND 404

US Army Corps of Engineers (USACE) Permit required for filling, dredging, excavating or other work in any potential USACE jurisdictional water, such as, rivers, creeks, streams, or wetlands.

The Contractor shall adhere to all of the terms and conditions associated with the following permit(s):

- No Permit Required
- Nationwide Permit (NWP) 14 - Pre-construction Notice (PCN) not Required
- Nationwide Permit 14 - PCN Required
- Individual 404 Permit Required
- Other Nationwide Permit Required: NWP# _____

Required Actions: List waters of the US permit applies to, location in project and check Best Management Practices (BMPs) planned to control erosion, sedimentation and post-project total suspended solids (TSS).

-
-
-
-

401 Best Management Practices: (Not applicable if no USACE permit)

Erosion	Sedimentation	Post-Construction TSS
<input type="checkbox"/> Temporary Vegetation	<input type="checkbox"/> Silt Fence	<input type="checkbox"/> Vegetative Filter Strips
<input type="checkbox"/> Blankets/Matting	<input type="checkbox"/> Rock Berm	<input type="checkbox"/> Retention/Irrigation Systems
<input type="checkbox"/> Mulch	<input type="checkbox"/> Triangular Filter Dike	<input type="checkbox"/> Extended Detention Basin
<input type="checkbox"/> Sodding	<input type="checkbox"/> Sand Bag Berm	<input type="checkbox"/> Constructed Wetlands
<input type="checkbox"/> Interceptor Swale	<input type="checkbox"/> Straw Bale Dike	<input type="checkbox"/> Wet Basin
<input type="checkbox"/> Diversion Dike	<input type="checkbox"/> Brush Berms	<input type="checkbox"/> Erosion Control Compost
<input type="checkbox"/> Erosion Control Compost	<input type="checkbox"/> Erosion Control Compost	<input type="checkbox"/> Mulch Filter Berm and Socks
<input type="checkbox"/> Mulch Filter Berm and Socks	<input type="checkbox"/> Mulch Filter Berm and Socks	<input type="checkbox"/> Compost Filter Berm and Socks
<input type="checkbox"/> Compost Filter Berm and Socks	<input type="checkbox"/> Compost Filter Berm and Socks	<input type="checkbox"/> Vegetation Lined Ditches
	<input type="checkbox"/> Stone Outlet Sediment Traps	<input type="checkbox"/> Sand Filter Systems
	<input type="checkbox"/> Sediment Basins	<input type="checkbox"/> Sedimentation Chambers
		<input type="checkbox"/> Grassy Swales

III. CULTURAL RESOURCES

Refer to TxDOT Standard Specifications in the event historical issues or archeological artifacts are found during construction. Upon discovery of archeological artifacts (bones, burnt rock, flint, pottery, etc.) cease work in the immediate area and contact the Engineer immediately.

- No Action Required Required Action

Action No.

-
-
-
-

IV. VEGETATION RESOURCES

Preserve native vegetation to the extent practical. Contractor must adhere to Construction Specification Requirements Specs 162,164, 192, 193, 506, 730, 751, 752 in order to comply with requirements for invasive species, beneficial landscaping, and tree/brush removal commitments.

- No Action Required Required Action

Action No.

-
-
-
-

V. FEDERAL LISTED, PROPOSED THREATENED, ENDANGERED SPECIES, CRITICAL HABITAT, STATE LISTED SPECIES, CANDIDATE SPECIES AND MIGRATORY BIRDS.

- No Action Required Required Action

Action No.

1. MIGRATORY BIRD NESTS: Schedule construction activities as needed to meet the following requirements:

- A. Do not remove or destroy any active migratory bird nests (nests containing eggs and/or flightless birds) at any time of year. If there are any active nests, they shall not be removed until the nests become inactive.
- B. On/in structures, if there are any active nests, they shall not be removed until all nests become inactive. After inactive nests are removed and/or before nest activity begins, deterrent materials may be applied to the structures to prevent future nest building.

2. See Item 5 in General Notes.

-
-
-

If any of the listed species are observed, cease work in the immediate area, do not disturb species or habitat and contact the Engineer immediately. The work may not remove active nests from bridges and other structures during nesting season of the birds associated with the nests. If caves or sinkholes are discovered, cease work in the immediated area, and contact the Engineer immediately.

VI. HAZARDOUS MATERIALS OR CONTAMINATION ISSUES

General (applies to all projects):

Comply with the Hazard Communication Act (the Act) for personnel who will be working with hazardous materials by conducting safety meetings prior to beginning construction and making workers aware of potential hazards in the workplace. Ensure that all workers are provided with personal protective equipment appropriate for any hazardous materials used.

Obtain and keep on-site Material Safety Data Sheets (MSDS) for all hazardous products used on the project, which may include, but are not limited to the following categories: Paints, acids, solvents, asphalt products, chemical additives, fuels and concrete curing compounds or additives. Provide protected storage, off bare ground and covered, for products which may be hazardous. Maintain product labelling as required by the Act.

Maintain an adequate supply of on-site spill response materials, as indicated in the MSDS. In the event of a spill, take actions to mitigate the spill as indicated in the MSDS, in accordance with safe work practices, and contact the District Spill Coordinator immediately. The Contractor shall be responsible for the proper containment and cleanup of all product spills.

Contact the Engineer if any of the following are detected:

- * Dead or distressed vegetation (not identified as normal)
- * Trash piles, drums, canister, barrels, etc.
- * Undesirable smells or odors
- * Evidence of leaching or seepage of substances

Hazardous Materials or Contamination Issues Specific to this Project:

- No Action Required Required Action

Action No.

-
-
-

Does the project involve the demolition of a span bridge?

- Yes No (No further action required)

If "Yes", a pre-demolition notification must be submitted to the Texas Department of State Health Services. The contractor shall contact TxDOT's Project Engineer 25 calendar days prior to the demolition of the bridges(s) on the project to assist with the notification.

VII. OTHER ENVIRONMENTAL ISSUES

(includes regional issues such as Edwards Aquifer District, etc.)

- No Action Required Required Action

Action No.

- Environmental clearance is required prior to construction. Contact District Environmental Section as soon as locations are identified.
-
-



ENVIRONMENTAL PERMITS, ISSUES AND COMMITMENTS
EPIC

FILE: epic_2015-10-09_SAT.dgn	DN: TxDOT	CK: TxDOT	DW:	CK:
© TxDOT OCTOBER 2015	CONT	SECT	JOB	HIGHWAY
REVISIONS	0915	00	253	VARIOUS
	DIST	COUNTY	SHEET NO.	
	SAT	BEXAR	98	