

STATE OF TEXAS DEPARTMENT OF TRANSPORTATION

PLANS OF PROPOSED STATE HIGHWAY IMPROVEMENT

FEDERAL AID PROJECT NUMBER
F 2022(162)
0071-03-042

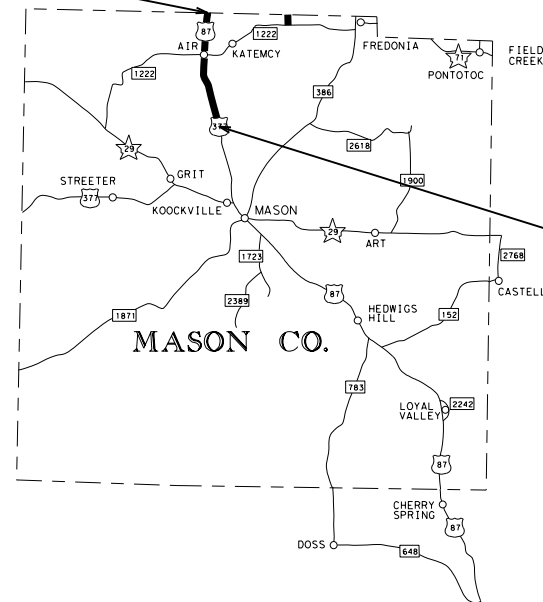
NET LENGTH OF PROJECT = 36,389.76 FEET = 6.892 MILES — ROADWAY = 36,257.76 FEET = 6.867 MILES
BRIDGE = 132.00 FEET = 0.025 MILES

MASON COUNTY US 87

FROM: MCCULLOCH COUNTY LINE
TO: 1.0 MILES SOUTH OF KRUSE ROAD

FOR THE CONSTRUCTION OF RESURFACE ROADWAY
CONSISTING OF LEVEL UP AND OVERLAY

BEGIN PROJECT
CSJ: 0071-03-042
REF MRKR: 562+0.030
MILE PT: 0.012
DFO: 531.978

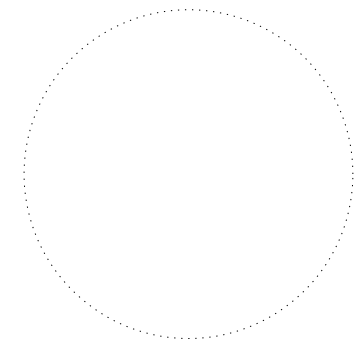


END PROJECT
CSJ: 0071-03-042
REF MRKR: 568+0.927
MILE PT: 6.904
DFO: 538.87



LOCATION MAP NOT TO SCALE

EXCEPTIONS: NONE
EQUATIONS: NONE
RAILROAD CROSSINGS: NONE



I CERTIFY THAT THIS PROJECT
WAS CONSTRUCTED IN SUBSTANTIAL
COMPLIANCE WITH THE FINAL AS-BUILT
PLANS AND SPECIFICATIONS.

AREA ENGINEER P.E. DATE

| CONT | SECT | JOB | HIGHWAY |
|------|--------|-----|-----------|
| 0071 | 03 | 042 | US87 |
| DIST | COUNTY | | SHEET NO. |
| AUS | MASON | | 1 |

DESIGN SPEED

MAIN LANES: N/A

A. D. T.

2019: 2,827 VPD
2039: 3,392 VPD

FILE: T:\Design\AUS 0071-03-042 US87 Overlay from McCulloch CL to S of Kruse Rd\4 - Design\Plan Set\1. General\001 TITLE SHEET.dgn
DATE: 8/20/2021 2:26:24 PM

SPECIFICATIONS ADOPTED BY THE TEXAS DEPARTMENT OF TRANSPORTATION ON NOVEMBER 1, 2014 AND SPECIFICATION ITEMS LISTED AND DATED AS FOLLOWS, SHALL GOVERN ON THIS PROJECT: REQUIRED CONTRACT PROVISIONS FOR ALL FEDERAL-AID CONSTRUCTION CONTRACTS (FORM FHWA 1273, MAY 2012).



©2021 TEXAS DEPARTMENT OF TRANSPORTATION; ALL RIGHTS RESERVED

SUBMITTED FOR LETTING: 9/23/2021

DocuSigned by:
Cathleen A Kratz, P.E.
E10D77F9666E43A...

AREA ENGINEER

RECOMMENDED FOR LETTING: 9/24/2021

DocuSigned by:
Dwayne M. Hillman, P.E.
198012497A804A0...

DISTRICT DESIGN ENGINEER

APPROVED FOR LETTING: 9/24/2021

DocuSigned by:
Heather Ashby-Nguyen
8912AF18F45A416...

DIRECTOR OF TRANSPORTATION
PLANNING & DEVELOPMENT

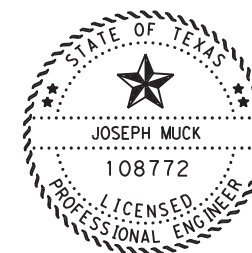
GENERAL

- 1 TITLE SHEET
- 2 INDEX OF SHEETS
- 3, 3A-3F GENERAL NOTES
- 4 ESTIMATE & QUANTITY
- 5-6 TYPICAL SECTION US 87
- 7 CLEAN AND SEAL EXISTING BRIDGE JOINTS
- 8 SEAL COAT MATERIAL SELECTION TABLE
- 9 EPIC

PLAN STANDARDS

- 10 BC (1)-21
- 11 BC (2)-21
- 12 BC (3)-21
- 13 BC (4)-21
- 14 BC (5)-21
- 15 BC (6)-21
- 16 BC (7)-21
- 17 BC (8)-21
- 18 BC (9)-21
- 19 BC (10)-21
- 20 BC (11)-21
- 21 BC (12)-21
- 22 TCP (1-2)-18
- 23 TCP (1-3)-18
- 24 TCP (1-4)-18
- 25 TCP (2-2)-18
- 26 TCP (2-3)-18
- 27 TCP (2-4)-18
- 28 TCP (3-1)-13
- 29 TCP (3-3)-14
- 30 TCP (7-1)-13
- 31 WZ (STPM)-13
- 32 WZ (RS)-16
- 33 WZ (BRK)-13
- 34 WZ (UL)-13
- 35 WZ (BTS-1)-13
- 36 WZ (BTS-2)-13
- 37 WZ (RCD)-13
- 38 PM(1)-20
- 39 PM(2)-20
- 40 PM(3)-20
- 41 EC(1)-16
- 42 RS(3)-13
- 43 RS(4)-13

DATE: 7/6/2021 10:50:44 AM
FILE: T:\Design\AUS_0071-03-042_US87_Overlay from McCullloch CL to S of Kruse Rd\4 - Design\Plan Set\1. General\002 INDEX OF SHEETS.dgn



THE STANDARD SHEETS SPECIFICALLY IDENTIFIED ABOVE
HAVE BEEN ISSUED BY ME AND ARE APPLICABLE TO THIS PROJECT.

DocuSigned by:
Joseph Muck
9647B86859014BB... P.E. 7/12/2021
DATE

**Austin District
Burnet Area Office**

INDEX OF SHEETS

SHEET 1 OF 1

| | | | | |
|---------|------|------|--------|-----------|
| © 2021 | CONT | SECT | JOB | HIGHWAY |
| DS: CK: | 0071 | 03 | 042 | US87 |
| DW: CK: | DIST | | COUNTY | SHEET NO. |
| | AUS | | MASON | 2 |

GENERAL NOTES: Version: July 20, 2021

| Item | Description | **Rate |
|--------------------------------|---|--------------|
| 316 | Underseals Asphalts (Multi Option) | 0.20 GAL/SY |
| | Surface Treatments | |
| | Seal Coat | |
| | Grade 4 | |
| | Asphalt | 0.38 GAL/SY |
| | Aggregate | 1 CY/120 SY |
| 340/3078,341/3076, 344/3077 | Dense-Graded Hot-Mix Asphalt and Superpave | 110 LB/SY/IN |
| 3084 | Bonding Course | 0.09 GAL/SY |

** For Informational Purposes Only

GENERAL

Contractor questions on this project are to be addressed to the following individual(s):
 Burnet Area Joe.Muck@txdot.gov

Contractor questions will be accepted through email, phone, and in person by the above individuals.

All contractor questions will be reviewed by the Engineer. Once a response is developed, it will be posted to TxDOT's Public FTP at the following Address:
<https://ftp.dot.state.tx.us/pub/txdot-info/Pre-Letting%20Responses/>

All questions submitted that generate a response will be posted through this site. The site is organized by District, Project Type (Construction or Maintenance), Letting Date, CCSJ/Project Name.

References to manufacturer's trade name or catalog numbers are for the purpose of identification only. Similar materials from other manufacturers are permitted if they are of equal quality, comply with the specifications for this project, and are approved.

If work is performed at Contractor's option, when inclement weather is impending, and the work is damaged by subsequent precipitation, the Contractor is responsible for all costs associated with replacing the work, if required.

The roadbed will be free of organic material prior to placing any section of the pavement structure.

Equip all construction equipment used in roadway work with highly visible omnidirectional flashing warning lights.

Provide a smooth, clean sawcut along the existing asphalt or concrete pavement structure, as directed. Consider subsidiary to the pertinent Items.

Construct all manholes/valves to final pavement elevations prior to the placement of final surface. If the manholes/valves are going to be exposed to traffic, place temporary asphalt around the manhole/valve to provide a 50:1 taper. The asphalt taper is subsidiary to the ACP work.

Use a self-contained vacuum broom to sweep the roadway and keep it free of sediment as directed. The contractor will be responsible for any sweeping above and beyond the normal maintenance required to keep fugitive sediment off the roadway as directed by the Engineer.

Damage to existing pipes and SET's due to Contractor operations will be repaired at Contractor's expense.

All locations used for storing construction equipment, materials, and stockpiles of any type, within the right of way, will be as directed. Use of right of way for these purposes will be restricted to those locations where driver sight distance to businesses and side street intersections is not obstructed and at other locations where an unsightly appearance will not exist. The Contractor will not have exclusive use of right of way but will cooperate in the use of the right of way with the city/county and various public utility companies as required.

Coordinate and obtain approval for all bridgework over existing roadways.

ITEM 5 – CONTROL OF THE WORK

Place construction stakes at intervals of no more than 100 ft. This work is subsidiary.

Provide a 72 hour advance email notice to AUS_Locate@TxDOT.gov to request illumination, traffic signal, ITS, or toll equipment utility locates. Provide AUS_Locate@TxDOT.gov an electronic pdf of as-builts within 21 calendar days of illumination, traffic signal, ITS, or toll equipment being placed into operation. As-built shall include GPS coordinates of manholes and junction boxes. Include final version of RFI's and revised plan sheets.

Precast Alternate Proposals.

When a precast or cast-in-place concrete element is included in the plans, a precast concrete alternate may be submitted in accordance with "Standard Operating Procedure for Alternate Precast Proposal Submission" found online at <https://www.txdot.gov/inside-txdot/forms-publications/consultants-contractors/publications/bridge.html#design>. Acceptance or denial of an alternate is at the sole discretion of the Engineer. Impacts to the project schedule and any additional costs resulting from the use of alternates are the sole responsibility of the Contractor.

Electronic Shop Drawing Submittals.

Submit electronic shop drawing submittals according to the current [Guide to Electronic Shop Drawing Submittal](https://www.txdot.gov/business/resources/specifications/shop-drawings.html) <https://www.txdot.gov/business/resources/specifications/shop-drawings.html> (TxDOT.gov Business > Resources - General > Shop Drawings). Pre-approved producers can

Project Number: F 2022(162)
County: Mason
Highway: US 87

Sheet: 3
Control: 0071-03-042

be found online at TxDOT.gov > Business > Resources - Material Producer List. Use the following contact list for all submittals that are not required to be sent to Bridge Division and to copy the Engineer for all submittals to the Bridge Division.

Submittal Contact List

Burnet Area Joe.Muck@txdot.gov AUS_BU-ShopReview@txdot.gov

ITEM 6 - CONTROL OF MATERIALS

Give a minimum of 1 business day notice for materials, which require inspection at the Plant.

For structures with paint containing hazardous materials, provide locations of paint removal 60 days prior to begin removal.

ITEM 7 – LEGAL RELATIONS AND RESPONSIBILITIES

TxDOT will coordinate with TDLR regarding pedestrian elements and sidewalks. The contractor will procure and provide all permits, licenses, and inspections; pay all charges, fees, and taxes regarding TDLR rules governing industrialized housing and buildings.

Roadway closures during key dates and/or special events are prohibited. See notes for Item 502 for the key dates and/or special events.

Refer to the Environmental Permits, Issues and Commitments (EPIC) plan sheets for additional requirements and permits.

When any abandoned well is encountered, cease construction operations in this area and notify the Engineer who will coordinate the proper plugging procedures. A water well driller licensed in the State of Texas must be used to plug a well.

Erosion control and stabilization measures must be initiated immediately in portions of the site where construction activities have temporarily ceased and will not resume for a period exceeding 14 calendar days. Track all exposed soil, stockpiles, and slopes. Tracking consists of operating a tracked vehicle or equipment up and down the slope, leaving track marks perpendicular to the direction of the slope. Re-track slopes and stockpiles after each rain event or every 14 days, whichever occurs first. This work is subsidiary.

Perform maintenance of vehicles or equipment at designated maintenance sites. Keep a spill kit on-site during fueling and maintenance. This work is subsidiary.

Maintain positive drainage for permanent and temporary work for the duration of the project. Be responsible for any items associated with the temporary or interim drainage and all related maintenance. This work is subsidiary.

Suspend all activities near any significant recharge features, such as sinkholes, caves, or any other subterranean openings that are discovered during construction or core sampling. Do not proceed until the designated Geologist or TCEQ representative is present to evaluate and approve remedial action.

Project Number: F 2022(162)
County: Mason
Highway: US 87

Sheet: 3A
Control: 0071-03-042

Locate aboveground storage tanks kept on-site for construction purposes in a contained area as to not allow any exposure to soils. The containment will be sized to capture 150% of the total capacity of the storage tanks.

PSL in Edwards Aquifer Recharge and Contributing Zone.

Obtain written approval from the Engineer for all on or off right of way PSLs not specifically addressed in the plans. Provide a signed sketch of the location 30 business days prior to use of the PSL. Include a list of materials, equipment and portable facilities that will be stored at the PSL. TxDOT will coordinate with the necessary agencies. Approval of the PSL is not guaranteed. Un approved PSL is not a compensable impact.

Work within a USACE Jurisdictional Area.

Do not initiate activities within a U.S. Army Corps of Engineers (USACE) jurisdictional area that have not been previously evaluated by the USACE as part of the permit review of this project. Such activities include, but are not limited to, haul roads, equipment staging areas, borrow and disposal sites. Obtain written approval from the Engineer for activities not specifically addressed in the plans. Provide a signed sketch and description of the location 60 business days prior to begin work at the location. Complete and return any forms provided by TxDOT. Approval of the work is not guaranteed. Un approved work is not a compensable impact.

Work over or near Bodies of Water (lakes, rivers, ponds, creeks, dry waterways, etc.).

Keep on site a universal spill kit adequate for the body of water and the work being performed. Debris is not allowed to fall into the ordinary high-water level (OHWL). Debris that falls into the OHWL must be removed at the end of each work day. Debris that falls into the floodway must be removed at the end of each work week or prior to a rain event. Install and maintain traffic control devices to maintain a navigable corridor for water traffic, except during bridge demo and beam placement. This work is subsidiary.

Migratory Birds and Bats.

Migratory birds and bats may be nesting within the project limits and concentrated on roadway structures such as bridges and culverts. Remove all old and unoccupied migratory bird nests from any structures, trees, etc. between September 16 and February 28. Prevent migratory birds from re-nesting between March 1 and September 15. Prevention shall include all areas within 25 ft. of proposed work. All methods used for the removal of old nesting areas and the prevention of re-nesting must be submitted to TxDOT 30 business days prior to begin work. This work is subsidiary.

If active nests are encountered on-site during construction, all construction activity within 25 ft. of the nest must stop. Contact the Engineer to determine how to proceed.

Tree and Brush Trimming and Removal.

Work will be conducted September 16 thru February 28. Work conducted outside this timeframe will require a bird survey. Submit a survey request to TxDOT 30 business days prior to begin work.

Project Number: F 2022(162)
County: Mason
Highway: US 87

Sheet: 3
Control: 0071-03-042

No extension of time or compensation will be granted for a delay or suspension due to the above bird, bat and tree/brush requirements.

Law Enforcement Personnel.

Submit charge summary and invoices using the Department forms.

Patrol vehicles must be clearly marked to correspond with the officer's agency and equipped with appropriate lights to identify them as law enforcement. For patrol vehicles not owned by a law enforcement agency, markings will be retroreflective and legible from 100 ft. from both sides and the rear of the vehicle. Lights will be high intensity and visible from all angles.

No payment will be made for law enforcement personnel needed for moving equipment or payment for drive time to/from the event site. A minimum number of hours is not guaranteed. Payment is for work performed. If the Contractor has a field office, provide an office location for a supervisory officer when event requires a supervising officer. This work is subsidiary.

A maximum combined rate of \$70 per hour for the law enforcement personnel and the patrol vehicle will be allowed. Any scheduling fee is subsidiary per Standard Specification 502.4.2.

Cancel law enforcement personnel when the event is canceled. Cancellation, minimums or "show up" fees will not be paid when cancellation is made 12 hours prior to beginning of the event. Failure to cancel within 12 hours will not be cause for payment for cancellation, minimums, or "show up" time. Payment of actual "show up" time to the event site due to cancellation will be on a case by case basis at a maximum of 2 hours per officer.

Alterations to the cancellation and maximum rate must be approved by the Engineer or pre-determined by official policy of the officers governing authority.

ITEM 8 – PROSECUTION AND PROGRESS

Electronic versions of schedules will be saved in Primavera P6 format.

Working days will be charged in accordance with 8.3.1.4, "Standard Workweek."

In accordance with SP 008-005, the latest work start date is the August 1st immediately following the authorization to begin work.

ITEM 134 - BACKFILLING PAVEMENT EDGES

For all backfill, compact using a light pneumatic roller, install at 3:1 slope to tie into existing terrain, and apply at rate of 0.12 GAL/SY a typical erosion control material per Item 300. If seal coat is final surface, install backfill prior to placing seal coat.

For TY A backfill, furnish flexible base meeting the requirement for any type or grade, except Grade 4, in accordance with Item 247. Compressive strengths and wet ball mill for flexible base are waived for this item. In lieu of flexible base, RAP may be supplied and must be 100% passing a 2.5 in. sieve in accordance to Tex-110-E.

ITEM 300s – SURFACE COURSES AND PAVEMENTS

Project Number: F 2022(162)
County: Mason
Highway: US 87

Sheet: 3B
Control: 0071-03-042

Asphalt season is May 1 thru September 15. Emulsified Asphalt season is April 1 thru October 15. The latest work start date for asphalt season is August 1.

If an under seal is not provided, furnish a tack coat. Apply tack coat at 0.08 GAL/SY (residual). Apply non-tracking tack coat using manufacturer recommend rates.

ITEM 316 – SEAL COAT

Ensure that all underseals are covered by HMA CP before exposing to traffic for roadways listed in Table 1 of Item 502 or ADT greater than 5,000.

Aggregates (Multi Option) for seal coats not exposed to traffic and underseals shall be Type E, PA, PB, A or B. The Grade shall range between 4 and 5.

Use a medium pneumatic roller in accordance with Item 210.

Surface all transitions, tapers, climbing lanes and intersections to the limits as directed.

Remove and dispose of off the ROW the audible/profile markings, reflectorized markings, and raised markers. Blade pavement edges to remove vegetation. Any areas with excessive asphalt or aggregate will be removed. Continue sweeping excess aggregate off the roadway, riprap, and shoulder up to two weeks after completing the work. This work is subsidiary.

ITEM 340/3078 THRU 348/3082 - HOT-MIX ASPHALT PAVEMENT

Core holes may be filled with an Asphaltic patching material meeting the requirements of DMS-9203 or with SCM meeting requirements of DMS-9202.

Install transverse butt joints with 50 ft. H: 1 in. V transition from the new ACP to the existing surface. Install a butt joint with 24 in. H: 1 in. V transition from the new ACP to a driveway, pullout or intersection. Saw cut the existing pavement at the butt joints. This work is subsidiary.

Use a device to create a maximum 3H:1V notched wedge joint on all longitudinal joints of 2 in. or greater. This work is subsidiary.

Prior to milling, core the existing pavement to verify thickness. This work is subsidiary.

Ensure placement sequence to avoid excess distance of longitudinal joint lap back not to exceed one day's production rates.

Submit any proposed adjustments or changes to a JMF before production of the new JMF.

Tack every layer. Do not dilute tack coat. Apply it evenly through a distributor spray bar.

Provide a minimum transition of 10' for intersections, 10' for commercial driveways, and 6' for residential driveways unless otherwise shown on the plans.

Irregularities will require the replacement of a full lane width using an asphalt paver. Replace the entire subplot if the irregularities are greater than 40% of the subplot area.

Project Number: F 2022(162)
County: Mason
Highway: US 87

Sheet: 3
Control: 0071-03-042

Lime or an approved anti-stripping agent must be used when crushed gravel is utilized to meet a SAC "A" requirement.

When using RAP or RAS, include the management methods of processing, stockpiling, and testing the material in the QCP submitted for the project. If RAP and RAS are used in the same mix, the QCP must document that both of these materials have dedicated feeder bins for each recycled material. Blending of RAP and RAS in one feeder bin or in a stockpile is not permitted.

Asphalt content and binder properties of RAP and RAS stockpiles must be documented when recycled asphalt content greater than 20% is utilized.

No RAS is allowed in surface courses.

Department approved warm-mix additives is required for all surface mix application when RAP is used. Dosage rates will be approved during JMF approval.

The Hamburg Wheel Test will have a minimum rut depth of 3mm.

ITEM 340/3078 & 341/3076 - DENSE-GRADED HOT-MIX ASPHALT

Use the SGC for design and production testing of all mixtures. Design all Dense-Graded Type D mixtures as a surface mix, maximum 15% RAP and no RAS.

When using substitute binders, mold specimens for mix design and production at the temperature required for the substitute binder used to produce the HMA.

The Hamburg Wheel minimum number of passes for PG 64 or lower is reduced to 7,000. The Engineer may accept Hamburg Wheel test results for production and placement if no more than 1 of the 5 most recent tests is below the specified number of passes and the failing test is no more than 2,000 passes below the specified number of passes.

ITEM 351 – FLEXIBLE PAVEMENT STRUCTURE REPAIR

Use materials and lift thickness per SS3076. Place Type C and D mixes with a paver. Type B mixes may use a blade to place the mix. Type C and D mixes will receive an underseal per SS 3085 if the repair surface is the final surface. This work is subsidiary.

Unless otherwise shown on the plans, use the following for repairs:

For up to 2 in. deep repairs, use Type D PG 76-22 SAC B.

For up to 4 in. deep repairs, use Type C PG 76-22 SAC B.

For greater than 4 in. deep repairs, use 2 in. Type C or D PG76-22 surface and Type B 64-22 for the bottom lifts. Type C or D mixes may use a blade if repair receives an overlay with minimum thickness of 1.5 in., except for PFC.

For repairs that are milled then overlaid, use Type C or D PG 76-22 to a depth 1.5 in. below the bottom of the milling.

ITEM 400 - EXCAVATION AND BACKFILL FOR STRUCTURES

Project Number: F 2022(162)
County: Mason
Highway: US 87

Sheet: 3C
Control: 0071-03-042

Unless shown on the plans, the following backfill will apply to cutting and restoring flexible pavement. Backfill with cement-stabilized backfill. The cement-stabilized backfill is subsidiary. Cap the backfill with Type B hot-mix to a depth equal to the adjacent hot-mix. At locations where the backfill surface is final, place 1-1/2 in. Type D for the surface. The minimum hot-mix depth will be 4 in.

Saw-cut the pavement at the edge of the excavation. This work is subsidiary.

Backfill the bridge ends in accordance with the limits shown on TxDOT "CSAB" Standard. Use material in accordance with "CSAB" or Item 423, Type BS. The "CSAB" optional bond breaker materials are allowed. This work is subsidiary.

ITEM 502 - BARRICADES, SIGNS, AND TRAFFIC HANDLING

Table 1

| <u>Roadway</u> | <u>Limits</u> | <u>Allowable Closure Time</u> |
|----------------|--|-------------------------------|
| IH 35 | All (1 lane closed) | 9 P to 5 A |
| IH 35 | All (2 lanes closed, see allowable work below) | 9 P to 5 A |
| IH 35 | All (2 lanes closed, all work) | 11 P to 5 A |
| SH 45 | US 183 to SH130 | 8 P to 5 A |
| LP 1 | William Cannon to Parmer Lane | 8 P to 5 A |
| US 183 | SH 29 to FM 1327 | 8 P to 5 A |
| SH 71 | SH 130 to IH 35 | 8 P to 5 A |
| SH 71 | SH 304 to Tahitian Drive | 8 P to 5 A |
| SH 71 | US 290 W to RM 3238 | 8 P to 5 A |
| US 290 W | IH 35 to Nutty Brown Rd | 8 P to 5 A |
| US 290 E | IH 35 to SH 95 | 8 P to 5 A |
| FM 734 | FM 1431 to US 290 E | 8 P to 5 A |
| US 79 | IH 35 to Bus 79 in Taylor | 8 P to 5 A |
| RM 1431 | Lohmans Ford Rd to IH 35 | 8 P to 5 A |
| SH 29 | LP 332 western terminus to SH 130 | 8 P to 5 A |
| SH 80 | Charles Austin to River Road | 8 P to 5 A |
| RM 2222 | All | 8 P to 5 A |
| RM 620 | All | 8 P to 5 A |
| RM 2244 | All | 8 P to 5 A |
| SPUR 69 | All | 8 P to 5 A |
| LP 360 | All | 8 P to 5 A |
| LP 343 | All | 8 P to 5 A |
| LP 275 | All | 8 P to 5 A |
| FM 1325 | All | 8 P to 5 A |
| All | Within 200' of a signalized intersection | 9 P to 5 A |
| All | All (Full Closure, see allowable work below) | 11 P to 4 A |

Table 2

| <u>Roadway</u> | <u>Limits</u> | <u>Allowable Closure Time</u> |
|---|---------------|-------------------------------|
| Daytime closures for all operations allowed sun up to sundown. One lane in each direction will remain open at all times for all roadways. | | |

Project Number: F 2022(162)
County: Mason
Highway: US 87

Sheet: 3
Control: 0071-03-042

Full closures only allowed Friday night thru Monday morning for bridge beam installation, bridge demolition, or OSB truss removal/installation. Full closures only allowed for roadways with frontage roads or if a designated detour route is provided in the plans.

No closures will be allowed on the weekends, working day prior, and working day after the National Holidays defined in the Standard Specifications, Good Friday, and Easter weekend. Closures the Sunday of the Super Bowl will not be allowed from 1 P to 11 P. No closures will be allowed on Friday and the weekends for projects within 20 miles of Formula 1 at COTA, ACL Fest, SXSW, ROT Rally, UT home football games (includes games not on a Friday or weekend), sales tax holiday, Dell Match Play (includes Thursday) or other special events that could be impacted by the construction. All lanes will be open by noon of the day before these special events.

To account for directional traffic volumes, begin and end times of closures may be shifted equally by the Engineer. The closure duration will remain. Added compensation is not allowed.

Submit an emailed request for a lane closure (LCN) to TxDOT. The email will be submitted in the format provided. Receive concurrence prior to implementation. Submit a cancellation of lane closures a minimum of 18 hours prior to implementation. Blanket requests for extended periods are not allowed. Max duration of a request is 2 weeks prior to requiring resubmittal.

Provide 2 hour notice prior to implementation and immediately upon removal of the closure.

For roadways listed in Table 1: Submit the request 96 hours prior to implementation.

For roadways not listed in Table 1: Submit the request a minimum of 48 hours prior to the closure and by the following deadline immediately prior to the closure: 11 A on Tuesday or 11 A on Friday. For all roadways: Submit request for traffic detours and full roadway closures 168 hours prior to implementation. Submit request for nighttime work 96 hours to implementation date.

Cancellations of accepted closures (not applicable to full closures or detours) due to weather will not require resubmission in accordance with the above restrictions if the work is completed during the next allowable closure time.

Closures that conflict with adjacent contractor will be prioritized according to critical path work per latest schedule. Conflicting critical path or non-critical work will be approved for first LCN submitted. Denial of a closure due to prioritization or other reasons will not be reason for time suspension, delay, overhead, etc.

Cover, relocate or remove existing signs that conflict with traffic control. Install all permanent signs, delineation, and object markers required for the operation of the roadway before opening to traffic. Use of temporary mounts is allowed or may be required until the permanent mounts are installed or not impacted by construction. Maintain the temporary mounts. This work is subsidiary.

Project Number: F 2022(162)
County: Mason
Highway: US 87

Sheet: 3D
Control: 0071-03-042

Meet with the Engineer prior to lane closures to ensure that sufficient equipment, materials, devices, and workers will be used. Take immediate action to modify traffic control, if at any time the queue becomes greater than 20 minutes. Have a contingency plan of how modification will occur. Consider inclement weather prior to implementing the lane closures. Do not set up traffic control when the pavement is wet.

Place a 28-inch cone, meeting requirements of BC (10), on top of foundations that have protruding studs. This work is subsidiary.

Edge condition treatment types must be in accordance with the TxDOT standard. Installation and removal of a safety slope is subsidiary.

To determine a speed limit or an advisory speed limit, submit a request to TxDOT 60 business days prior to manufacture of the sign.

For non-site specific signal projects, 2 months of barricades will be paid per work order location.

The Contractor Force Account "Safety Contingency" that has been established for this project is intended to be utilized for work zone enhancements, to improve the effectiveness of the Traffic Control Plan, that could not be foreseen in the project planning and design stage. These enhancements will be mutually agreed upon by the Engineer and the Contractor's Responsible Person based on weekly or more frequent traffic management reviews on the project. The Engineer may choose to use existing bid items if it does not slow the implementation of enhancement.

ITEM 504 - FIELD OFFICE AND LABORATORY

All labs and offices will include cleaning at least once a week. The cleaning will include sweeping and mopping of floors, cleaning the toilet and lavatory, and emptying wastebaskets. Space heaters are not considered adequate heating.

Projects with more than 500 CY of structural class concrete, 5000 SY of Class P concrete, and/or 2000 CY of non-structural concrete will include a concrete testing facility. Provide a structure with at least 200 sq. ft. of gross floor area in room 8 ft. high. The structure will include the laboratory equipment and all other related items to perform the contract-controlling test procedures.

Projects with HMAC, furnish a Type D structure for the Engineer's exclusive use. The structure will include high speed internet service with WIFI signal, one desk, two chairs, and one file cabinet. Provide a minimum of three 120-volt circuits with 20-amp breakers and at most two grounded convenience outlets per circuit.

ITEM 506 - TEMPORARY EROSION, SEDIMENTATION, AND ENV CONTROLS

Install, maintain, remove erosion, sedimentation and environmental control measures in areas of the right of way utilized by the contractor that are outside the limits of disturbance required for construction. Permanently stabilize the area. This work is subsidiary.

Consider the SW3P for this project to consist of the following items, as directed:

Temporary Sediment Control Fence.

ITEM 585 - RIDE QUALITY FOR PAVEMENT SURFACES

Use Surface Test Type B Pay Schedule 3 to evaluate ride quality of travel lanes, including service roads.

ITEM 600s & 6000s – ITS, LIGHTING, SIGNING, MARKINGS, AND SIGNALS

Meet the requirements of the NEC, Texas MUTCD, TxDOT standards, and TxDOT Standard Specifications. Notify the Engineer if existing elements to remain do not meet code or specification.

ITEM 666 - RETROREFLECTORIZED PAVEMENT MARKINGS

Notify the Engineer at least 24 hr. before beginning work.

Place longitudinal markings nightly for IH 35 main lanes or roadways with AADT greater than 100,000. Use of temporary flexible reflective roadway marker tabs is subsidiary and at the Contractor’s option. Replace missing or damaged tabs nightly. If using tabs, place longitudinal markings weekly by 5 AM Friday for all weekday work and by 5 AM Monday for all weekend work. Failure to maintain tabs or place longitudinal markings by deadline will require nightly placement of longitudinal markings.

Place longitudinal markings no later than 7 calendar days after placement of the surface for roadways with AADT greater than 20,000.

When the raised portion of a profile marking is placed as a separate operation from the pavement marking, the raised portion must be placed first then covered with TY I.

When using black shadow to cover existing stripe apply a non-retroreflective angular abrasive bead drop. The marking color shall be adjusted to resemble the pavement color. If Item 677 is not used prior to placement of black shadow, scrape the top of the marking with a blade or large piece of equipment unless surface is a seal coat. The scraping of the marking is subsidiary.

ITEM 677 - ELIMINATING EXISTING PAVEMENT MARKINGS AND MARKERS

Dispose of removed materials and debris at locations off the right of way.

Elimination using a pavement marking will not be allowed in lieu of methods listed in specification.

Remove pavement markings on concrete surfaces by a blasting method. Flail milling will be allowed when total quantity of removal on concrete surfaces is less than 1000 ft.

Strip seal is only method allowed on seal coat surface unless project includes placement of a new surface. If total quantity of removal on a seal coat surface is less than 2000 ft., elimination using a pavement marking is allowed if a test section is approved by the Engineer. Test section shall demonstrate the thermo marking color matches the existing pavement color.

Remove pavement markings outside the limits of the new surface by a blasting method.

Use a TRAIL or a non-retroreflective paint to cover stripe remnants that remain after elimination. The test requirements for these materials are waived. The paint color shall be adjusted to resemble the existing pavement color. Installation and maintenance is subsidiary.

ITEM 3084 – BONDING COURSE

The minimum application rates are listed in Table BC. Miscellaneous Tack is allowed for use with dense-graded Type B HMA. If a tack bid item is not provided, use bonding course item.

The target shear bond strengths are listed in Table BCS. The informational test cores shall be taken once a shift for first 5 lots of placement or a change to placement method of bonding course, bonding material, or hot mix material. The remaining informational test cores shall be taken once every 3 lots for surface mix. Informational tests are not required for non-surface mix beyond the first 5 lots unless there is a change to placement method of bonding course, bonding material, or hot mix material. Results from these informational tests will not be used for specification compliance.

Table BC

| Material | Minimum Application Rate (gal. per square yard) |
|----------------------------------|--|
| TRAIL – Emulsified Asphalt | 0.06 |
| TRAIL – Hot Asphalt | 0.12 |
| Spray Applied Underseal Membrane | 0.10 |

Table BCS (For Informational Tests)

| Material | Target Shear Bond Strength (Tex-249-F psi) |
|---------------------------------|---|
| SMA – Stone-Matrix Asphalt | 60.0 |
| PFC – Permeable Friction Course | N/A |
| All Other Materials | 40.0 |

ITEM 6001 – PORTABLE CHANGEABLE MESSAGE SIGN

Provide 1 PCMS. Provide a replacement within 12 hours. PCMS will be available for traffic control, event notices, roadway conditions, service announcements, etc.

Place PCMS 10 calendar days prior to begin work stating “Road Work Begin Soon, Contact 832-7000 For Info”.

Place PCMS at time of LCN request. Place the PCMS at the expected end of queue caused by the closure. When the closure is active, revise the message to reflect the actual condition during the closure, such as “RIGHT LN CLOSED XXX FT”.

ITEM 6185 – TRUCK MOUNTED ATTENUATOR AND TRAILER ATTENUATOR

The TMA/TA used for installation/removal of traffic control for a work area will be subsidiary to the TMA/TA used to perform the work.

Project Number: F 2022(162)
County: Mason
Highway: US 87

Sheet: 3
Control: 0071-03-042

Sheet: 3F

The contractor will be responsible for determining if one or more operations will be ongoing at the same time to determine the total number of TMA/TA required for the work. TMA/TAs paid by the day is full compensation for all worksite locations during an entire day.

TMA/TAs used to protect damaged attenuators will be paid by the day using the force account item for the repair.



CONTROLLING PROJECT ID 0071-03-042

DISTRICT Austin
HIGHWAY US 87

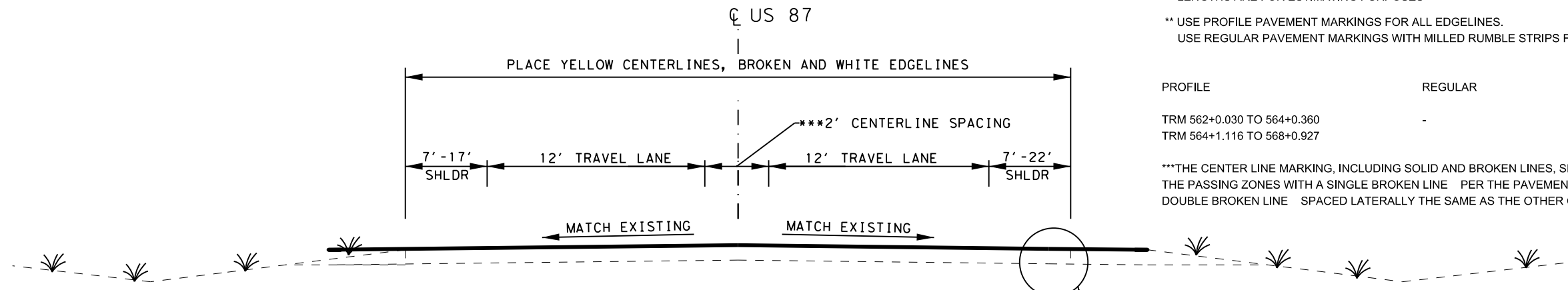
Estimate & Quantity Sheet

COUNTY Mason

| ALT | BID CODE | DESCRIPTION | UNIT | EST. | FINAL |
|-----|-----------|--|------|------------|-------|
| | 134-6001 | BACKFILL (TY A) | STA | 365.000 | |
| | 316-6005 | ASPH (TIER II) | GAL | 72,742.000 | |
| | 316-6240 | AGGR(TY-PD GR-4 SAC-B) | CY | 1,595.000 | |
| | 351-6002 | FLEXIBLE PAVEMENT STRUCTURE REPAIR(6") | SY | 19,143.000 | |
| | 438-6004 | CLEANING AND SEALING EXIST JOINTS(CL7) | LF | 208.000 | |
| | 500-6001 | MOBILIZATION | LS | 1.000 | |
| | 502-6001 | BARRICADES, SIGNS AND TRAFFIC HANDLING | MO | 4.000 | |
| | 506-6038 | TEMP SEDMT CONT FENCE (INSTALL) | LF | 100.000 | |
| | 506-6039 | TEMP SEDMT CONT FENCE (REMOVE) | LF | 100.000 | |
| | 533-6004 | RUMBLE STRIPS (CENTERLINE) ASPHALT | LF | 36,036.000 | |
| | 662-6004 | WK ZN PAV MRK NON-REMOV (W)4"(SLD) | LF | 72,272.000 | |
| | 662-6032 | WK ZN PAV MRK NON-REMOV (Y)4"(BRK) | LF | 6,600.000 | |
| | 662-6034 | WK ZN PAV MRK NON-REMOV (Y)4"(SLD) | LF | 40,000.000 | |
| | 662-6111 | WK ZN PAV MRK SHT TERM (TAB)TY Y-2 | EA | 413.000 | |
| | 666-6030 | REFL PAV MRK TY I (W)8"(DOT)(100MIL) | LF | 420.000 | |
| | 666-6036 | REFL PAV MRK TY I (W)8"(SLD)(100MIL) | LF | 1,653.000 | |
| | 666-6054 | REFL PAV MRK TY I (W)(ARROW)(100MIL) | EA | 4.000 | |
| | 666-6078 | REFL PAV MRK TY I (W)(WORD)(100MIL) | EA | 4.000 | |
| | 666-6312 | RE PM W/RET REQ TY I (Y)4"(BRK)(100MIL) | LF | 6,600.000 | |
| | 666-6315 | RE PM W/RET REQ TY I (Y)4"(SLD)(100MIL) | LF | 40,000.000 | |
| | 666-6342 | REF PROF PAV MRK TY I(W)4"(SLD)(100MIL) | LF | 72,272.000 | |
| | 672-6007 | REFL PAV MRKR TY I-C | EA | 42.000 | |
| | 672-6009 | REFL PAV MRKR TY II-A-A | EA | 892.000 | |
| | 3076-6048 | D-GR HMA TY-D PG76-22 | TON | 21,057.000 | |
| | 3076-6051 | D-GR HMA TY-D PG76-22 (LEVEL-UP) | TON | 5,264.000 | |
| | 3084-6001 | BONDING COURSE | GAL | 17,228.000 | |
| | 6001-6001 | PORTABLE CHANGEABLE MESSAGE SIGN | DAY | 85.000 | |
| | 6185-6002 | TMA (STATIONARY) | DAY | 75.000 | |
| | 6185-6005 | TMA (MOBILE OPERATION) | DAY | 82.000 | |
| | 6291-6001 | MOBILE RETROREFLECTIVITY DATA COLLECT | MI | 6.897 | |
| | 18 | EROSION CONTROL MAINTENANCE: CONTRACTOR FORCE ACCOUNT WORK (PART) | LS | 1.000 | |
| | | SAFETY CONTINGENCY: CONTRACTOR FORCE ACCOUNT WORK (PARTICIPATING) | LS | 1.000 | |
| | | LAW ENFORCEMENT: CONTRACTOR FORCE ACCOUNT WORK (PARTICIPATING) | LS | 1.000 | |

DATE: 9/23/2021 2:40:51 PM
FILE: T:\Design\AUS_0071-03-042 US87 Overlay from McCulloch CL to S of Kruse Rd\4 - Design\Plan_Set\1. General\005-006 US 87 TYPICAL.dgn

* LENGTHS ARE FOR ESTIMATING PURPOSES
** USE PROFILE PAVEMENT MARKINGS FOR ALL EDGELINES.
USE REGULAR PAVEMENT MARKINGS WITH MILLED RUMBLE STRIPS FOR ALL CENTERLINES



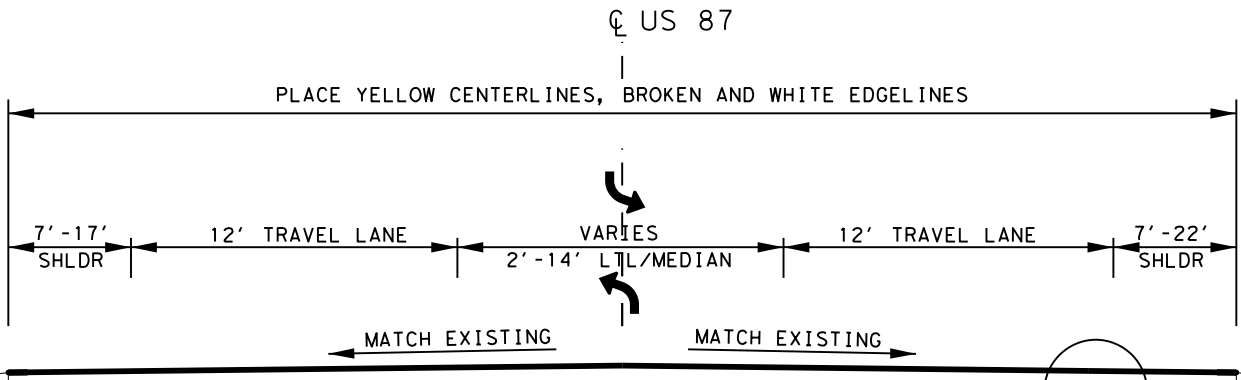
US 87 TYPICAL SECTION

PLACE TY I
MCCULLOCH C/L TO S OF KRUSE RD
TRM 562+0.030 TO 564+0.360
TRM 564+1.116 TO 568+0.927
SEAL ALL MAILBOX TURNOUTS

PROFILE REGULAR
TRM 562+0.030 TO 564+0.360
TRM 564+1.116 TO 568+0.927

***THE CENTER LINE MARKING, INCLUDING SOLID AND BROKEN LINES, SHALL BE SEPARATED LATERALLY BY 24 IN. THE PASSING ZONES WITH A SINGLE BROKEN LINE PER THE PAVEMENT MARKING STANDARD WILL REQUIRE A DOUBLE BROKEN LINE SPACED LATERALLY THE SAME AS THE OTHER CENTER LINE MARKINGS.

SEE DETAIL "A"



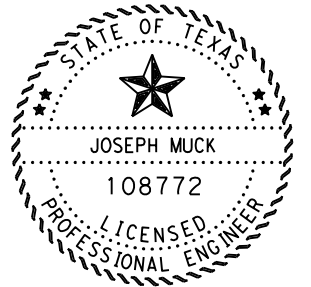
US 87 TYPICAL SECTION

PLACE TY I
MCCULLOCH C/L TO S OF KRUSE RD
TRM 564+0.360 TO 564+1.116
SEAL ALL MAILBOX TURNOUTS

* LENGTHS ARE FOR ESTIMATING PURPOSES
** USE PROFILE PAVEMENT MARKINGS FOR ALL EDGELINES.
USE REGULAR PAVEMENT MARKINGS WITH MILLED RUMBLE STRIPS FOR ALL CENTERLINES

PROFILE REGULAR
TRM 564+0.360 TO 564+1.116

SEE DETAIL "A"



DocuSigned by:
Joseph Muck 9/23/2021
9647B86859014BB...

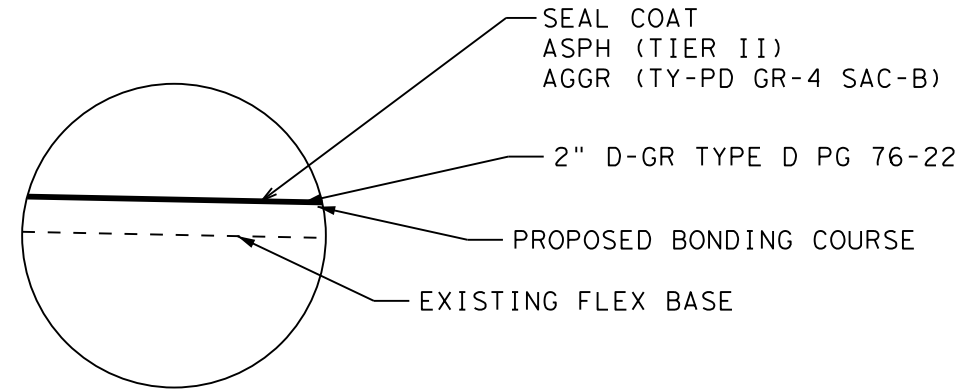
**Austin District
Burnet Area Office**



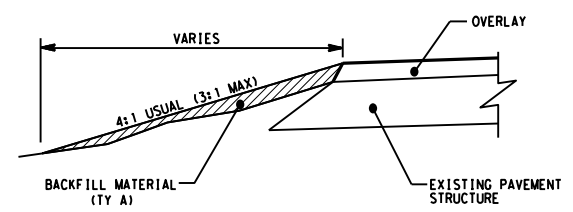
**US 87
TYPICAL SECTIONS
STRIPING LIMITS**

NOT TO SCALE SHEET 1 OF 2

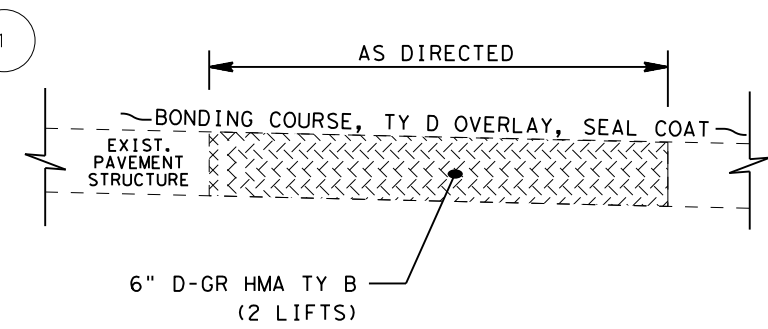
| | | | | | |
|-----|-----|------|-------|-----|------|
| DS: | CK: | 0071 | 03 | 042 | US87 |
| DW: | CK: | AUS | MASON | | 5 |



**DETAIL "A"
(TYPICAL)**



BACKFILL PAVEMENT EDGE DETAIL
BACKFILL PAVEMENT EDGES AS DIRECTED BY THE ENGINEER.
**DO NOT BACKFILL EDGE OF PFC.

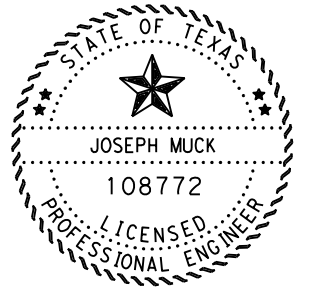


PAVEMENT STRUCTURE REPAIR DETAIL

LOCATIONS TO BE DETERMINED IN THE FIELD BY THE ENGINEER

DATE: 9/23/2021 2:40:52 PM
FILE: I:\Design\AUS_0071-03-042 US87 Overlay from McCullloch CL to S of Kruse Rd\4 - Design\Plan_Set\1 - General\005-006 US 87 TYPICAL.dgn

| DOUBLE YELLOW | | NB/EB PASSING | | SB/WB PASSING | | BROKEN YELLOW | | 2 LN UNDIVIDED | | 2 LN MEDIAN | | 2 LN + LTL | | UNSTRIPED | | LENGTH | | 4" WHITE | 4" YELLOW | | BUTTONS | | OTHER | | | | |
|---------------|-----------|---------------|-----------|---------------|-----------|---------------|-----------|----------------|-----------|-------------|-----------|------------|-----------|-----------|-----------|--------|-------|----------|-----------|--------|---------|-----------|----------|----------|-------|------|---|
| FROM | TO | FROM | TO | FROM | TO | FROM | TO | FROM | TO | FROM | TO | FROM | TO | FROM | TO | MILES | FEET | SOLID | SOLID | BROKEN | Ty I-C | Ty II A-A | 8" W DOT | 8" W SLD | ARROW | WORD | |
| 562+0.030 | 562+0.607 | - | - | - | - | - | - | 562+0.030 | 562+0.607 | - | - | - | - | - | - | 0.577 | 3047 | 6093 | 6093 | 0 | 0 | 76 | 0 | 0 | 0 | 0 | |
| - | - | - | - | 562+0.607 | 562+0.682 | - | - | - | - | - | - | - | - | - | - | 0.075 | 396 | 792 | 396 | 100 | 0 | 10 | 0 | 0 | 0 | 0 | |
| - | - | - | - | - | - | - | - | - | - | - | - | - | - | 562+0.682 | 562+0.695 | 0.013 | 69 | 69 | 0 | 0 | 0 | 0 | 0 | 0 | 0 | 0 | |
| - | - | - | - | 562+0.695 | 562+0.818 | - | - | - | - | - | - | - | - | - | - | 0.123 | 649 | 1299 | 649 | 170 | 0 | 16 | 0 | 0 | 0 | 0 | |
| - | - | - | - | - | - | 562+0.818 | 562+1.091 | - | - | - | - | - | - | - | - | 0.273 | 1441 | 2883 | 0 | 370 | 0 | 18 | 0 | 0 | 0 | 0 | |
| - | - | 562+1.091 | 562+1.325 | - | - | - | - | - | - | - | - | - | - | - | - | 0.234 | 1236 | 2471 | 1236 | 310 | 0 | 31 | 0 | 0 | 0 | 0 | |
| 562+1.325 | 562+1.368 | - | - | - | - | - | - | 562+1.325 | 562+1.368 | - | - | - | - | - | - | 0.043 | 227 | 454 | 454 | 0 | 0 | 6 | 0 | 0 | 0 | 0 | |
| - | - | - | - | 562+1.368 | 562+1.596 | - | - | - | - | - | - | - | - | - | - | 0.228 | 1204 | 2408 | 1204 | 310 | 0 | 30 | 0 | 0 | 0 | 0 | |
| - | - | - | - | - | - | 562+1.596 | 564+0.217 | - | - | - | - | - | - | - | - | 0.621 | 3279 | 6558 | 0 | 820 | 0 | 41 | 0 | 0 | 0 | 0 | |
| - | - | 564+0.217 | 564+0.357 | - | - | - | - | - | - | - | - | - | - | - | - | 0.140 | 739 | 1478 | 739 | 190 | 0 | 18 | 0 | 0 | 0 | 0 | |
| - | - | - | - | - | - | - | - | - | - | 564+0.357 | 564+0.576 | - | - | - | - | 0.219 | 1156 | 2313 | 4625 | 0 | 0 | 29 | 0 | 0 | 0 | 0 | |
| - | - | - | - | - | - | - | - | - | - | - | - | 564+0.576 | 564+0.732 | - | - | 0.156 | 824 | 1647 | 1647 | 0 | 21 | 82 | 206 | 808 | 2 | 2 | |
| - | - | - | - | - | - | - | - | - | - | - | - | - | - | 564+0.732 | 564+0.751 | 0.019 | 100 | 0 | 0 | 0 | 0 | 0 | 0 | 0 | 0 | 0 | |
| - | - | - | - | - | - | - | - | - | - | - | - | 564+0.751 | 564+0.913 | - | - | 0.162 | 855 | 1711 | 1711 | 0 | 21 | 86 | 214 | 845 | 2 | 2 | |
| - | - | - | - | - | - | - | - | - | - | 564+0.913 | 564+1.115 | - | - | - | - | 0.202 | 1067 | 2133 | 4266 | 0 | 0 | 27 | 0 | 0 | 0 | 0 | |
| 564+1.115 | 564+1.126 | - | - | - | - | - | - | 564+1.115 | 564+1.126 | - | - | - | - | - | - | 0.011 | 58 | 116 | 116 | 0 | 0 | 1 | 0 | 0 | 0 | 0 | |
| - | - | - | - | 564+1.126 | 564+1.204 | - | - | - | - | - | - | - | - | - | - | 0.078 | 412 | 824 | 412 | 110 | 0 | 10 | 0 | 0 | 0 | 0 | |
| - | - | - | - | - | - | 564+1.204 | 564+1.284 | - | - | - | - | - | - | - | - | 0.080 | 422 | 845 | 0 | 110 | 0 | 5 | 0 | 0 | 0 | 0 | |
| - | - | - | - | 564+1.284 | 564+1.752 | - | - | - | - | - | - | - | - | - | - | 0.468 | 2471 | 4942 | 2471 | 620 | 0 | 62 | 0 | 0 | 0 | 0 | |
| - | - | - | - | - | - | 564+1.752 | 564+1.785 | - | - | - | - | - | - | - | - | 0.033 | 174 | 348 | 0 | 50 | 0 | 2 | 0 | 0 | 0 | 0 | |
| - | - | - | - | - | - | - | - | - | - | - | - | - | - | 564+1.785 | 564+1.797 | 0.012 | 63 | 63 | 0 | 0 | 0 | 0 | 0 | 0 | 0 | 0 | |
| - | - | - | - | - | - | 564+1.797 | 566+0.044 | - | - | - | - | - | - | - | - | 0.247 | 1304 | 2608 | 0 | 330 | 0 | 16 | 0 | 0 | 0 | 0 | |
| - | - | 566+0.044 | 566+0.273 | - | - | - | - | - | - | - | - | - | - | - | - | 0.229 | 1209 | 2418 | 1209 | 310 | 0 | 30 | 0 | 0 | 0 | 0 | |
| 566+0.273 | 566+0.369 | - | - | - | - | - | - | 566+0.273 | 566+0.369 | - | - | - | - | - | - | 0.096 | 507 | 1014 | 1014 | 0 | 0 | 13 | 0 | 0 | 0 | 0 | |
| - | - | - | - | 566+0.369 | 566+0.425 | - | - | - | - | - | - | - | - | - | - | 0.056 | 296 | 591 | 296 | 80 | 0 | 7 | 0 | 0 | 0 | 0 | |
| - | - | - | - | - | - | - | - | - | - | - | - | - | - | 566+0.425 | 566+0.438 | 0.013 | 69 | 69 | 0 | 0 | 0 | 0 | 0 | 0 | 0 | 0 | |
| - | - | - | - | 566+0.438 | 566+0.512 | - | - | - | - | - | - | - | - | - | - | 0.074 | 391 | 781 | 391 | 100 | 0 | 10 | 0 | 0 | 0 | 0 | |
| - | - | - | - | 566+0.512 | 566+0.537 | - | - | - | - | - | - | - | - | - | - | 0.025 | 132 | 264 | 132 | 40 | 0 | 3 | 0 | 0 | 0 | 0 | |
| - | - | - | - | 566+0.537 | 566+0.601 | - | - | - | - | - | - | - | - | - | - | 0.064 | 338 | 676 | 338 | 90 | 0 | 8 | 0 | 0 | 0 | 0 | |
| - | - | - | - | - | - | 566+0.601 | 566+0.726 | - | - | - | - | - | - | - | - | 0.125 | 660 | 1320 | 0 | 170 | 0 | 8 | 0 | 0 | 0 | 0 | |
| - | - | 566+0.726 | 566+0.955 | - | - | - | - | - | - | - | - | - | - | - | - | 0.229 | 1209 | 2418 | 1209 | 310 | 0 | 30 | 0 | 0 | 0 | 0 | |
| 566+0.955 | 566+1.187 | - | - | - | - | - | - | 566+0.955 | 566+1.187 | - | - | - | - | - | - | 0.232 | 1225 | 2450 | 2450 | 0 | 0 | 31 | 0 | 0 | 0 | 0 | |
| - | - | - | - | 566+1.187 | 566+1.413 | - | - | - | - | - | - | - | - | - | - | 0.226 | 1193 | 2387 | 1193 | 300 | 0 | 30 | 0 | 0 | 0 | 0 | |
| - | - | - | - | - | - | 566+1.413 | 566+1.661 | - | - | - | - | - | - | - | - | 0.248 | 1309 | 2619 | 0 | 330 | 0 | 16 | 0 | 0 | 0 | 0 | |
| - | - | 566+1.661 | 566+1.898 | - | - | - | - | - | - | - | - | - | - | - | - | 0.237 | 1251 | 2503 | 1251 | 320 | 0 | 31 | 0 | 0 | 0 | 0 | |
| - | - | - | - | - | - | - | - | - | - | - | - | - | - | 566+1.898 | 566+1.913 | 0.015 | 79 | 0 | 0 | 0 | 0 | 0 | 0 | 0 | 0 | 0 | |
| 566+1.913 | 568+0.133 | - | - | - | - | - | - | 566+1.913 | 568+0.133 | - | - | - | - | - | - | 0.220 | 1162 | 2323 | 2323 | 0 | 0 | 29 | 0 | 0 | 0 | 0 | |
| - | - | - | - | 568+0.133 | 568+0.366 | - | - | - | - | - | - | - | - | - | - | 0.233 | 1230 | 2460 | 1230 | 310 | 0 | 31 | 0 | 0 | 0 | 0 | |
| - | - | - | - | - | - | 568+0.366 | 568+0.748 | - | - | - | - | - | - | - | - | 0.382 | 2017 | 4034 | 0 | 510 | 0 | 25 | 0 | 0 | 0 | 0 | |
| - | - | 568+0.748 | 568+0.927 | - | - | - | - | - | - | - | - | - | - | - | - | 0.179 | 945 | 1890 | 945 | 240 | 0 | 24 | 0 | 0 | 0 | 0 | |
| TOTALS | | | | | | | | | | | | | | | | | 6.897 | 36415 | 72272 | 40000 | 6600 | 42 | 892 | 420 | 1653 | 4 | 4 |



DocuSigned by:
Joseph Muck 9/23/2021
9647B86859014BB...

**Austin District
Burnet Area Office**

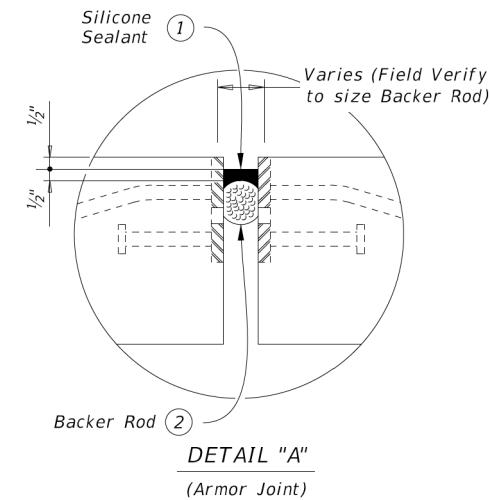
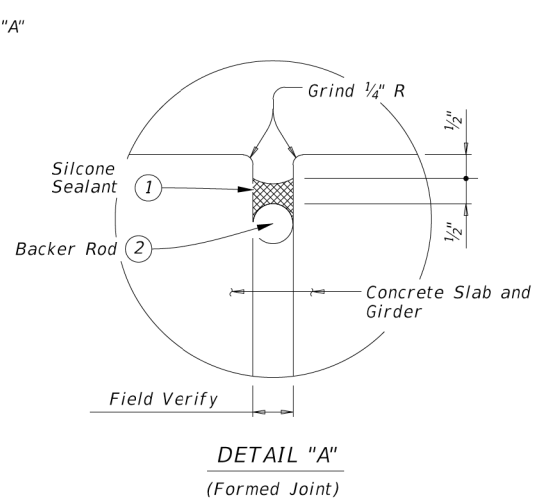
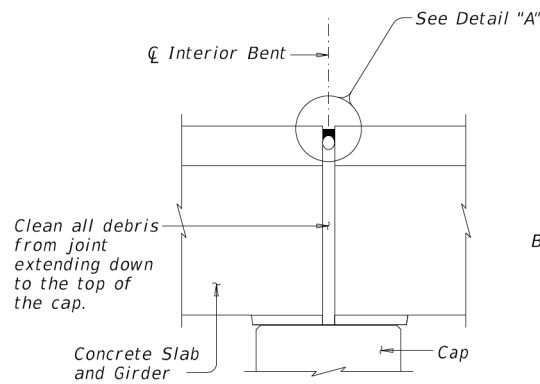
Texas Department of Transportation

**US 87
TYPICAL SECTIONS
STRIPING LIMITS**

NOT TO SCALE SHEET 2 OF 2

| | | | | |
|---------|------|------|--------|-----------|
| © 2021 | CONT | SECT | JOB | HIGHWAY |
| DS: CK: | 0071 | 03 | 042 | US87 |
| DW: CK: | DIST | | COUNTY | SHEET NO. |
| | AUS | | MASON | 6 |

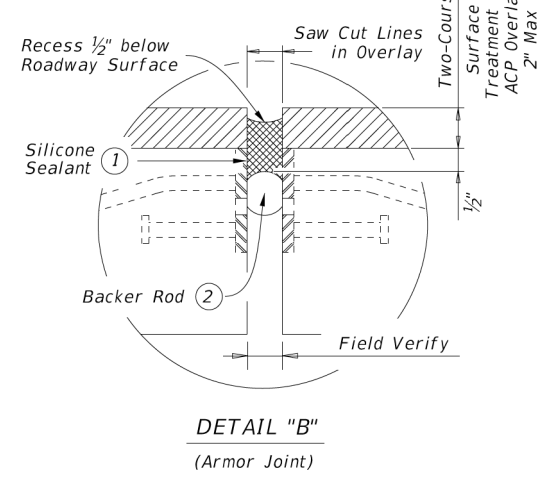
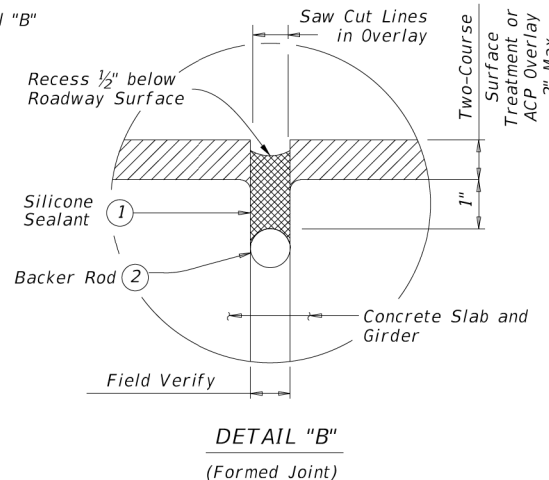
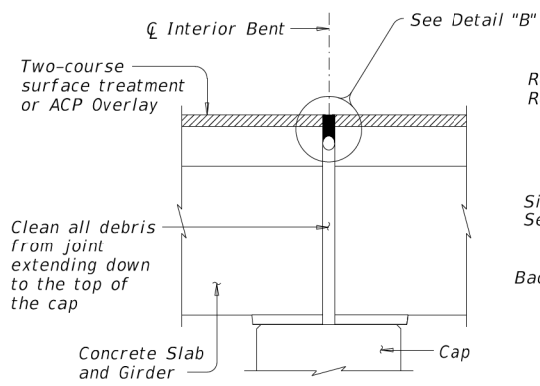
DATE: 8/6/2021 3:11:45 PM FILE: T:\Design\AUS_0071-03-042 US87 Overlay from McCullloch CL to S. of Kruse Rd\4 - Design\Plan Set\1. General\007 CLEAN AND SEAL EXISTING BRIDGE JOINTS.dgn



JOINT WITHOUT ACP

PROCEDURE:

- 1) Clean joint opening of all old expansion materials/devices, dirt, and all other deleterious materials in accordance with Item 438, "Cleaning and Sealing Joints." Clean joint out full depth of the joint.
- 2) Check joint for soundness of concrete and armor joint. Repair concrete and/or steel in accordance with Item 785, "Bridge Joint Repair or Replacement."
- 3) Abrasive blast clean existing armor joint steel surface where silicone seal is to be placed.
- 4) Obtain approval of cleaned joint prior to proceeding with joint sealing operation.
- 5) Place backer rod (2) into joint opening 1" below the top of concrete.
- 6) Seal the joint opening with a Class 7 Silicone. Recess seal 1/2" below top of concrete in travel lanes and 1/8" below top of concrete in shoulders.

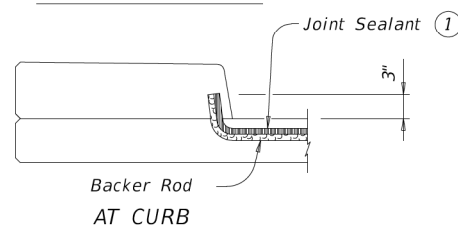
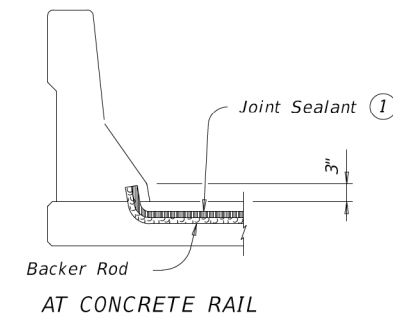
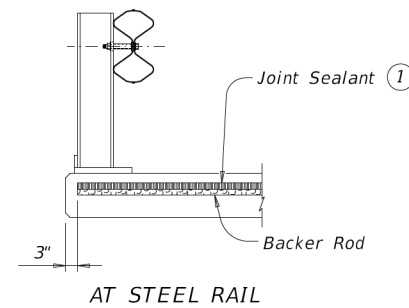
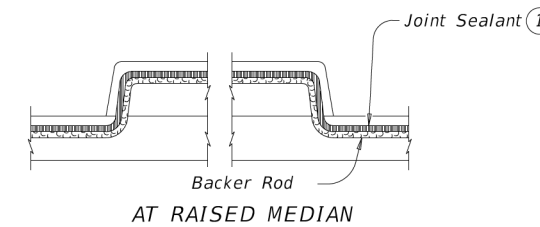


JOINT WITH ACP

PROCEDURE:

- 1) Saw cut through the asphalt at the centerline of joint. Make multiple saw cuts to create a 1/2" minimum joint opening or match the existing joint opening. Clean joint opening of all old expansion materials/devices, bituminous materials, dirt, grease and all other deleterious materials in accordance with Item 438, "Cleaning and Sealing Joints."
- 2) Check joint for soundness of concrete and armor joint. Repair concrete and/or steel in accordance with Item 785, "Bridge Joint Repair or Replacement," as directed by the Engineer.
- 3) Abrasive blast clean existing armor joint steel surface where silicone seal is to be placed.
- 4) Obtain approval of cleaned joint prior to proceeding with joint sealing operation.
- 5) Place backer rod (2) into joint opening 1" below the top of concrete for formed joints and 1/2" below concrete for armor joints.
- 6) Seal the joint opening with a Class 7 Silicone. Recess seal 1/2" below top of concrete in travel lanes and 1/8" below top of concrete in shoulders.

| STRUCTURE (FEATURED CROSSED) | JOINT LOCATION | ITEM 438-6004 CLEANING AND SEALING EXIST JOINTS (CL 7) (LF) |
|--|----------------|--|
| 14-157-0-0071-03-057 (US 87 @ DRY PRONG KATEMCEY CREEK) | BENTS 2 THRU 5 | 208 |
| TOTAL | | 208 |



**JOINT SEALANT
TERMINATION DETAILS**

- 1) Use Class 7 silicone sealant and primer in accordance with DMS-6310, "Joint Sealants and Fillers". Prepare joint and seal in accordance with Item 438 "Cleaning and Sealing Exist Joints (CL 7)".
- 2) Backer rod must be 25% larger than joint opening and must be compatible with the sealant. Use of multiple backer rods to create a cross section is prohibited. Top of back rod shall be convex as shown.

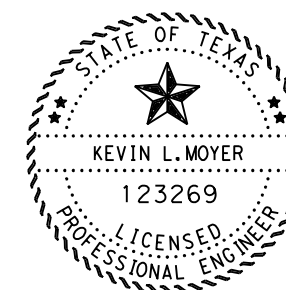
GENERAL NOTES:

Field verify all quantities, joint locations and joint types prior to ordering materials and beginning work.

Cleaning existing joint opening (full depth) of all debris, providing and placing backer rod, saw-cutting joint opening, and sealing joint is paid for by Item 438, "Cleaning and Sealing Joints" of the sealant type specified and measured by the linear foot of joint placed.

Extend sealant up into rail or curb 3 inches on low side or sides of deck. If the Class 7 Sealant cannot be effectively placed in the vertical position, a Class 4 Sealant compatible with the Class 7 sealant is allowed for the extension of the seal into the curb or rail.

Repair of damaged concrete caused by the Contractor must be repaired at the Contractor's expense in accordance with Item 429, "Concrete Structure Repair", and TxDOT's Concrete Repair Manual.



DocuSigned by:
Kevin L. Moyer
734DFF5FCCB740E... 8/6/2021

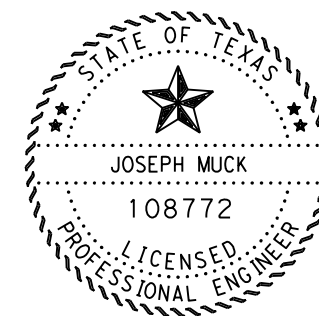
| | | | |
|---|--------|-----------|---------|
| Austin District Burnet Area Office | | | |
| | | | |
| US 87 CLEANING AND SEALING BRIDGE JOINTS | | | |
| NOT TO SCALE | | | |
| © 2021 | CONT | SECT | JOB |
| DS: | CK: | 0071 03 | 042 |
| DIST | COUNTY | SHEET NO. | |
| DW: | CK: | AUS | MASON 7 |

DATE: sDATES \$TIME\$ FILE: I:\Design\AUS 0071-03-042 US87 Overlay from McCullloch CL to S of Kruse Rd\4 - Design\Plan Set\1. General\008 SEAL COAT MATERIAL SELECTION TABLE.dgn

| SEAL COAT MATERIAL SELECTION TABLE | | |
|--|--|--|
| TIER I: HEAVY USE - USE ONLY THE SELECTED MATERIALS. | | |
| TYPE | ASPHALT RUBBER (A-R) <input type="checkbox"/> A-R ONLY | ASPHALT CEMENT (AC) <input type="checkbox"/> AC ONLY |
| ASPHALT | <input type="checkbox"/> A-R TY II <input type="checkbox"/> A-R TY III <input type="checkbox"/> SP 300- | <input type="checkbox"/> AC-20-5TR <input type="checkbox"/> AC-20XP <input type="checkbox"/> AC-15P <input type="checkbox"/> SP 300- |
| TIER II: MODERATE USE - USE THESE MATERIALS OR ANY SELECTED TIER I MATERIAL COMBINATIONS OF THE ALLOWED TYPES. | | |
| TYPE | ASPHALT CEMENT (AC) <input checked="" type="checkbox"/> AC ONLY | ASPHALT EMULSION <input type="checkbox"/> EMULSION ONLY |
| ASPHALT | <input type="checkbox"/> AC-10-2TR <input checked="" type="checkbox"/> AC-15P <input checked="" type="checkbox"/> AC-20XP <input type="checkbox"/> TFT-H <input type="checkbox"/> AC-10 W/2%SBR <input type="checkbox"/> AC-5 W/2%SBR <input type="checkbox"/> SP 300- | <input type="checkbox"/> CHFRS-2P <input type="checkbox"/> HFRS-2P <input type="checkbox"/> CRS-2P <input type="checkbox"/> SP 300- |
| TIER III: LIGHT USE - USE THESE MATERIALS OR ANY SELECTED TIER I OR TIER II MATERIAL COMBINATIONS OF THE ALLOWED TYPES. | | |
| TYPE | ASPHALT CEMENT (AC) <input type="checkbox"/> AC ONLY | ASPHALT EMULSION <input type="checkbox"/> EMULSION ONLY |
| ASPHALT | <input type="checkbox"/> AC-10 <input type="checkbox"/> AC-5 <input type="checkbox"/> SP 300- | <input type="checkbox"/> CRS-2 <input type="checkbox"/> CRS-2H <input type="checkbox"/> HFRS-2 <input type="checkbox"/> SP 300- |
| DISTRICTWIDE SEAL COAT PROJECT SEASONS: REFER TO ITEM 316 FOR TEMPERATURE AND WEATHER RESTRICTIONS. | | |
| SEASON 1: | AMA, CHS, LBB | MAY 15 TO AUG 31 |
| SEASON 2: | ABL, ATL, BWD, DAL, FTW, LFK, ODA, PAR, SJT, TYL, WAC, WFS | MAY 1 TO AUG 31 |
| SEASON 3: | AUS, BMT, BRY, ELP, HOU, SAT, YKM | MAY 1 TO SEP 15 |
| SEASON 4: | CRP, LRD, PHR | APR 1 TO SEPT 30 |
| NOTE: SEAL COATS ON ROUTINE MAINTENANCE CONTRACTS MUST BE COMPLETED BY AUGUST 31 UNLESS OTHERWISE SHOWN ON THE PLANS. | | |

INSTRUCTIONS TO THE CONTRACTOR:

1. PROVIDE MATERIALS ACCORDING TO THE ALTERNATES SELECTED FOR THE ROADWAY TIER DESIGNATIONS SPECIFIED AT VARIOUS ROADWAY LOCATIONS SHOWN ON THE PLANS;
2. ALTERNATELY, SUPPLY SELECTED BINDERS FROM A HIGHER TIER, BUT ONLY IF THE TYPE OF MATERIAL IS ALLOWED FOR THE DESIGNATED TIER; PAYMENT WILL ONLY BE MADE FOR THE TIER DESIGNATED FOR THE PAVEMENT;
3. SUPPLY THE AGGREGATE TYPE, GRADE AND SURFACE AGGREGATE CLASS SHOWN ON THE PLANS; AND
4. ADHERE TO THE APPLICATION SEASON SELECTED.



DocuSigned by:

Joseph Muck

7/12/2021

SEAL COAT MATERIAL SELECTION TABLE

SCTABLE

| | | | | |
|---------------------|-----------|--------|-----------|---------|
| FILE: sctable.dgn | DN: TxDOT | CK: | DW: | CK: |
| © TxDOT: March 2014 | CONT | SECT | JOB | HIGHWAY |
| REVISIONS | 0071 | 03 | 042 | US87 |
| | DIST | COUNTY | SHEET NO. | |
| | AUS | MASON | 8 | |

DATE: 8/10/2021 9:51:53 AM
 FILE: I:\Design\AUS_0071-03-042_US87_Overlay From McCullloch CL to S of Kruse Rd at Design for Material Engineer EPN\03042.dwg
 DISCLAIMER: The use of this standard is governed by the "Texas Engineering Practice Act". No warranty of any kind is made by TxDOT for any purpose whatsoever. TxDOT assumes no responsibility for the conversion of any information into a digital format or for any damage resulting from its use.

I. STORMWATER POLLUTION PREVENTION-CLEAN WATER ACT SECTION 402

TPDES TXR 150000: Stormwater Discharge Permit or Construction General Permit required for projects with 1 or more acres disturbed soil. Projects with any disturbed soil must protect for erosion and sedimentation in accordance with Item 506.

List MS4 Operator(s) that may receive discharges from this project. They may need to be notified prior to construction activities.

- 1.
2. No Action Required Required Action

Action No.

1. Prevent stormwater pollution by controlling erosion and sedimentation in accordance with TPDES Permit TXR 150000
2. Comply with the SW3P and revise when necessary to control pollution or required by the Engineer.
3. Post Construction Site Notice (CSN) with SW3P information on or near the site, accessible to the public and TCEQ, EPA or other inspectors.
4. When Contractor project specific locations (PSL's) increase disturbed soil area to 5 acres or more, submit NOI to TCEQ and the Engineer.

II. WORK IN OR NEAR STREAMS, WATERBODIES AND WETLANDS CLEAN WATER ACT SECTIONS 401 AND 404

USACE Permit required for filling, dredging, excavating or other work in any water bodies, rivers, creeks, streams, wetlands or wet areas.

The Contractor must adhere to all of the terms and conditions associated with the following permit(s):

- No Permit Required
- Nationwide Permit 14 - PCN not Required (less than 1/10th acre waters or wetlands affected)
- Nationwide Permit 14 - PCN Required (1/10 to <1/2 acre, 1/3 in tidal waters)
- Individual 404 Permit Required

Required Actions: List waters of the US permit applies to, location in project and check Best Management Practices planned to control erosion, sedimentation and post-project TSS.

- 1.
- 2.
- 3.
- 4.

The elevation of the ordinary high water marks of any areas requiring work to be performed in the waters of the US requiring the use of a nationwide permit can be found on the Bridge Layouts.

Best Management Practices:

| | | |
|--|--|--|
| Erosion | Sedimentation | Post-Construction TSS |
| <input type="checkbox"/> Temporary Vegetation | <input checked="" type="checkbox"/> Silt Fence | <input type="checkbox"/> Vegetative Filter Strips |
| <input type="checkbox"/> Blankets/Matting | <input type="checkbox"/> Rock Berm | <input type="checkbox"/> Retention/Irrigation Systems |
| <input type="checkbox"/> Mulch | <input type="checkbox"/> Triangular Filter Dike | <input type="checkbox"/> Extended Detention Basin |
| <input type="checkbox"/> Sodding | <input type="checkbox"/> Sand Bag Berm | <input type="checkbox"/> Constructed Wetlands |
| <input type="checkbox"/> Interceptor Swale | <input type="checkbox"/> Straw Bale Dike | <input type="checkbox"/> Wet Basin |
| <input type="checkbox"/> Diversion Dike | <input type="checkbox"/> Brush Berms | <input type="checkbox"/> Erosion Control Compost |
| <input type="checkbox"/> Erosion Control Compost | <input type="checkbox"/> Erosion Control Compost | <input type="checkbox"/> Mulch Filter Berm and Socks |
| <input type="checkbox"/> Mulch Filter Berm and Socks | <input type="checkbox"/> Mulch Filter Berm and Socks | <input type="checkbox"/> Compost Filter Berm and Socks |
| <input type="checkbox"/> Compost Filter Berm and Socks | <input type="checkbox"/> Compost Filter Berm and Socks | <input type="checkbox"/> Vegetation Lined Ditches |
| | <input type="checkbox"/> Stone Outlet Sediment Traps | <input type="checkbox"/> Sand Filter Systems |
| | <input type="checkbox"/> Sediment Basins | <input type="checkbox"/> Grassy Swales |

III. CULTURAL RESOURCES

Refer to TxDOT Standard Specifications in the event historical issues or archeological artifacts are found during construction. Upon discovery of archeological artifacts (bones, burnt rock, flint, pottery, etc.) cease work in the immediate area and contact the Engineer immediately.

- No Action Required Required Action

IV. VEGETATION RESOURCES

Preserve native vegetation to the extent practical. Contractor must adhere to Construction Specification Requirements Specs 162, 164, 192, 193, 506, 730, 751, 752 in order to comply with requirements for invasive species, beneficial landscaping, and tree/brush removal commitments.

- No Action Required Required Action

Action No.

- 1.

V. FEDERAL LISTED, PROPOSED THREATENED, ENDANGERED SPECIES, CRITICAL HABITAT, STATE LISTED SPECIES, CANDIDATE SPECIES AND MIGRATORY BIRDS.

- No Action Required Required Action

Action No.

1. See the special provisions for migratory birds in Item 7 of general notes.
- 2.
- 3.

If any of the listed species are observed, cease work in the immediate area, do not disturb species or habitat and contact the Engineer immediately. The work may not remove active nests from bridges and other structures during nesting season of the birds associated with the nests. If caves or sinkholes are discovered, cease work in the immediate area, and contact the Engineer immediately.

LIST OF ABBREVIATIONS

| | |
|---|---|
| BMP: Best Management Practice | SPCC: Spill Prevention Control and Countermeasure |
| CGP: Construction General Permit | SW3P: Storm Water Pollution Prevention Plan |
| DSHS: Texas Department of State Health Services | PCN: Pre-Construction Notification |
| FHWA: Federal Highway Administration | PSL: Project Specific Location |
| MOA: Memorandum of Agreement | TCEQ: Texas Commission on Environmental Quality |
| MOU: Memorandum of Understanding | TPDES: Texas Pollutant Discharge Elimination System |
| MS4: Municipal Separate Stormwater Sewer System | TPWD: Texas Parks and Wildlife Department |
| MTA: Migratory Bird Treaty Act | TxDOT: Texas Department of Transportation |
| NOT: Notice of Termination | T&E: Threatened and Endangered Species |
| NMP: Nationwide Permit | USACE: U.S. Army Corps of Engineers |
| NOI: Notice of Intent | USFWS: U.S. Fish and Wildlife Service |

VI. HAZARDOUS MATERIALS OR CONTAMINATION ISSUES

General (applies to all projects):

Comply with the Hazard Communication Act (the Act) for personnel who will be working with hazardous materials by conducting safety meetings prior to beginning construction and making workers aware of potential hazards in the workplace. Ensure that all workers are provided with personal protective equipment appropriate for any hazardous materials used. Obtain and keep on-site Material Safety Data Sheets (MSDS) for all hazardous products used on the project, which may include, but are not limited to the following categories: Paints, acids, solvents, asphalt products, chemical additives, fuels and concrete curing compounds or additives. Provide protected storage, off bare ground and covered, for products which may be hazardous. Maintain product labelling as required by the Act.

Maintain an adequate supply of on-site spill response materials, as indicated in the MSDS. In the event of a spill, take actions to mitigate the spill as indicated in the MSDS, in accordance with safe work practices, and contact the District Spill Coordinator immediately. The Contractor shall be responsible for the proper containment and cleanup of all product spills.

Contact the Engineer if any of the following are detected:

- * Dead or distressed vegetation (not identified as normal)
- * Trash piles, drums, canister, barrels, etc.
- * Undesirable smells or odors
- * Evidence of leaching or seepage of substances

Does the project involve any bridge class structure rehabilitation or replacements (bridge class structures not including box culverts)?

- Yes No

If "No", then no further action is required.

If "Yes", then TxDOT is responsible for completing asbestos assessment/inspection.

Are the results of the asbestos inspection positive (is asbestos present)?

- Yes No

If "Yes", then TxDOT must retain a DSHS licensed asbestos consultant to assist with the notification, develop abatement/mitigation procedures, and perform management activities as necessary. The notification form to DSHS must be postmarked at least 15 working days prior to scheduled demolition.

If "No", then TxDOT is still required to notify DSHS 15 working days prior to any scheduled demolition.

In either case, the Contractor is responsible for providing the date(s) for abatement activities and/or demolition with careful coordination between the Engineer and asbestos consultant in order to minimize construction delays and subsequent claims.

Any other evidence indicating possible hazardous materials or contamination discovered on site. Hazardous Materials or Contamination Issues Specific to this Project:

- No Action Required Required Action

Action No.

- 1.
- 2.
- 3.

VII. OTHER ENVIRONMENTAL ISSUES

(includes regional issues such as Edwards Aquifer District, etc.)

- No Action Required Required Action

Action No.

1. Implement EO 13112
- 2.
- 3.

| | | | | |
|---|-----------|---------------------------------|-----------|---------|
| | | <i>Design Division Standard</i> | | |
| ENVIRONMENTAL PERMITS, ISSUES AND COMMITMENTS EPIC | | | | |
| FILE: epic.dgn | DN: TxDOT | CK: RG | DW: VP | CK: AR |
| ©TxDOT: February 2015 | CONT | SECT | JOB | HIGHWAY |
| 12-12-2011 (DS) REVISIONS | 0071 | 03 | 042 | US87 |
| 05-07-14 ADDED NOTE SECTION IV. | DIST | COUNTY | SHEET NO. | |
| 01-23-2015 SECTION I (CHANGED ITEM 1122 TO ITEM 506, ADDED GRASSY SWALES. | AUS | MASON | 9 | |

DATE: 7/6/2021 11:18:20 AM
 FILE: I:\Design\AUS_0071-03-042 US87 Overlay from McCullloch CL to S of Kruse Rd\4 - Design\Plan Set\1 - General\STANDARD BC(1)-21.dgn
 DISCLAIMER: The use of this standard is governed by the "Texas Engineering Practice Act". No warranty of any kind is made by TxDOT or any person who issues it. TxDOT assumes no responsibility for the conversion of this standard to any other format or for any errors or omissions resulting from its use.

BARRICADE AND CONSTRUCTION (BC) STANDARD SHEETS GENERAL NOTES:

- The Barricade and Construction Standard Sheets (BC sheets) are intended to show typical examples for placement of temporary traffic control devices, construction pavement markings, and typical work zone signs. The information contained in these sheets meet or exceed the requirements shown in the "Texas Manual on Uniform Traffic Control Devices" (TMUTCD).
- The development and design of the Traffic Control Plan (TCP) is the responsibility of the Engineer.
- The Contractor may propose changes to the TCP that are signed and sealed by a licensed professional engineer for approval. The Engineer may develop, sign and seal Contractor proposed changes.
- The Contractor is responsible for installing and maintaining the traffic control devices as shown in the plans. The Contractor may not move or change the approximate location of any device without the approval of the Engineer.
- Geometric design of lane shifts and detours should, when possible, meet the applicable design criteria contained in manuals such as the American Association of State Highway and Transportation Officials (AASHTO), "A Policy on Geometric Design of Highways and Streets," the TxDOT "Roadway Design Manual" or engineering judgment.
- When projects abut, the Engineer(s) may omit the END ROAD WORK, TRAFFIC FINES DOUBLE, and other advance warning signs if the signing would be redundant and the work areas appear continuous to the motorists. If the adjacent project is completed first, the Contractor shall erect the necessary warning signs as shown on these sheets, the TCP sheets or as directed by the Engineer. The BEGIN ROAD WORK NEXT X MILES sign shall be revised to show appropriate work zone distance.
- The Engineer may require duplicate warning signs on the median side of divided highways where median width will permit and traffic volumes justify the signing.
- All signs shall be constructed in accordance with the details found in the "Standard Highway Sign Designs for Texas," latest edition. Sign details not shown in this manual shall be shown in the plans or the Engineer shall provide a detail to the Contractor before the sign is manufactured.
- The temporary traffic control devices shown in the illustrations of the BC sheets are examples. As necessary, the Engineer will determine the most appropriate traffic control devices to be used.
- Where highway construction or maintenance work is being undertaken, other than mobile operations as defined by the Texas Manual on Uniform Traffic Control Devices, CSJ limit signs are required. CSJ limit signs are shown on BC(2). The OBEY WARNING SIGNS STATE LAW sign, STAY ALERT TALK OR TEXT LATER and the WORK ZONE TRAFFIC FINES DOUBLE sign with plaque shall be erected in advance of the CSJ limits. The BEGIN ROAD WORK NEXT X MILES, CONTRACTOR and END ROAD WORK signs shall be erected at or near the CSJ limits. For mobile operations, CSJ limit signs are not required.
- Traffic control devices should be in place only while work is actually in progress or a definite need exists.
- The Engineer has the final decision on the location of all traffic control devices.
- Inactive equipment and work vehicles, including workers' private vehicles must be parked away from travel lanes. They should be as close to the right-of-way line as possible, or located behind a barrier or guardrail, or as approved by the Engineer.

WORKER SAFETY NOTES:


- Workers on foot who are exposed to traffic or to construction equipment within the right-of-way shall wear high-visibility safety apparel meeting the requirements of ISEA "American National Standard for High-Visibility Apparel," or equivalent revisions, and labeled as ANSI 107-2004 standard performance for Class 2 or 3 risk exposure. Class 3 garments should be considered for high traffic volume work areas or night time work.
- Except in emergency situations, flagger stations shall be illuminated when flagging is used at night.

COMPLIANT WORKZONE TRAFFIC CONTROL DEVICES

- Only pre-qualified products shall be used. The "Compliant Work Zone Traffic Control Devices List" (CWZTCD) describes pre-qualified products and their sources.
- Work zone traffic control devices shall be compliant with the Manual for Assessing safety Hardware (MASH).

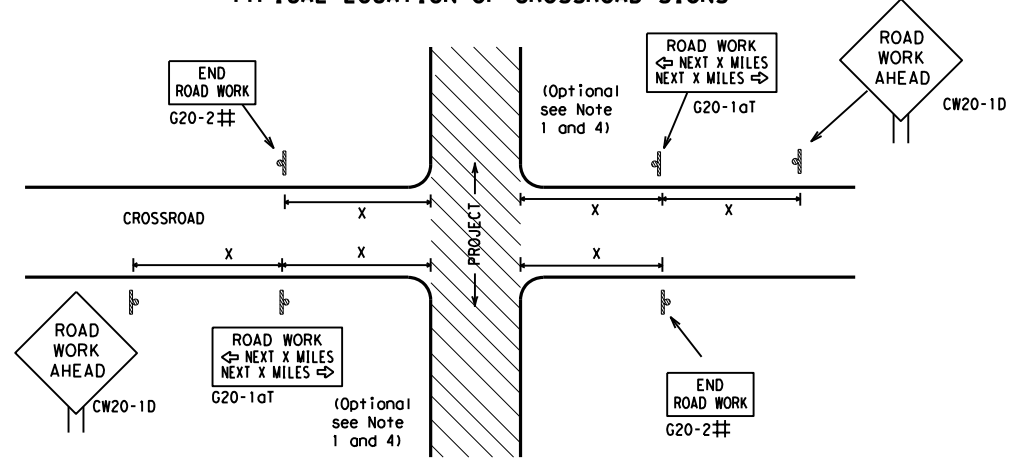
| |
|---|
| THE DOCUMENTS BELOW CAN BE FOUND ON-LINE AT http://www.txdot.gov |
| COMPLIANT WORK ZONE TRAFFIC CONTROL DEVICES LIST (CWZTCD) |
| DEPARTMENTAL MATERIAL SPECIFICATIONS (DMS) |
| MATERIAL PRODUCER LIST (MPL) |
| ROADWAY DESIGN MANUAL - SEE "MANUALS (ONLINE MANUALS)" |
| STANDARD HIGHWAY SIGN DESIGNS FOR TEXAS (SHSD) |
| TEXAS MANUAL ON UNIFORM TRAFFIC CONTROL DEVICES (TMUTCD) |
| TRAFFIC ENGINEERING STANDARD SHEETS |

SHEET 1 OF 12

| | | | |
|--|---------------|----------------------------------|-----------|
|  Texas Department of Transportation | | Traffic Safety Division Standard | |
| BARRICADE AND CONSTRUCTION GENERAL NOTES AND REQUIREMENTS | | | |
| BC (1) - 21 | | | |
| FILE: | bc-21.dgn | DN: | TxDOT |
| © TxDOT | November 2002 | CK: | TxDOT |
| | | DW: | TxDOT |
| | | CK: | TxDOT |
| REVISIONS | CONT | SECT | JOB |
| 4-03 7-13 | 0071 | 03 | 042 |
| 9-07 8-14 | | | US87 |
| 5-10 5-21 | DIST | COUNTY | SHEET NO. |
| | AUS | MASON | 10 |

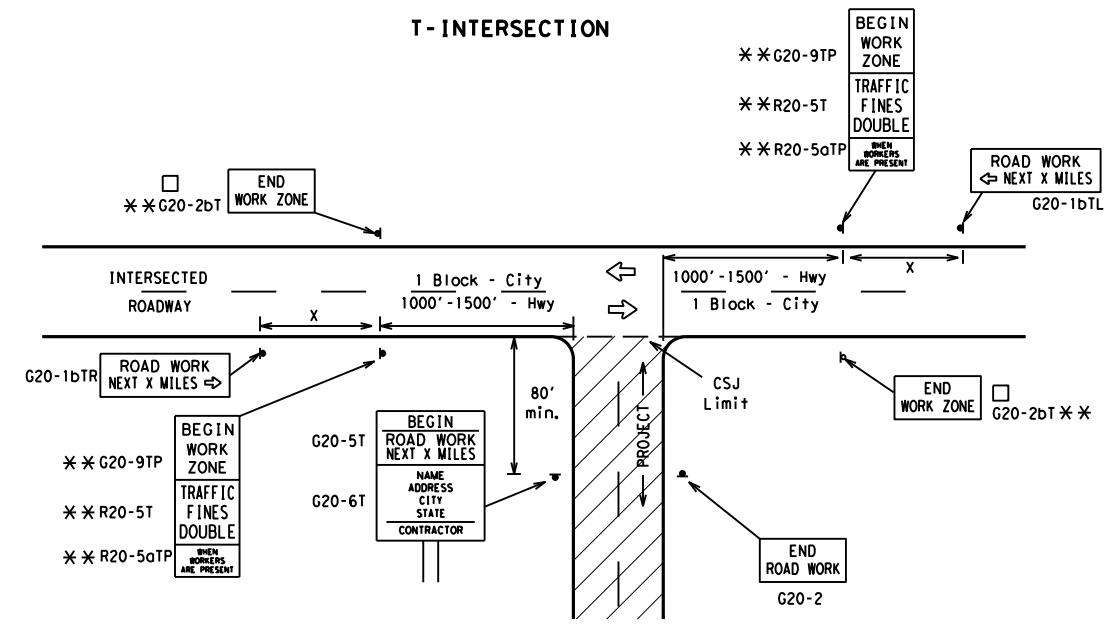
DISCLAIMER: The use of this standard is governed by the "Texas Engineering Practice Act". No warranty of any kind is made by TxDOT for any purpose whatsoever. TxDOT assumes no responsibility for the conversion of any information to a different format or for any errors or omissions resulting from its use.

TYPICAL LOCATION OF CROSSROAD SIGNS



- ## May be mounted on back of "ROAD WORK AHEAD" (CW20-1D) sign with approval of Engineer. (See note 2 below)
- The typical minimum signing on a crossroad approach should be a "ROAD WORK AHEAD" (CW20-1D) sign and a (G20-2) "END ROAD WORK" sign, unless noted otherwise in plans.
 - The Engineer may use the reduced size 36" x 36" ROAD WORK AHEAD (CW20-1D) sign mounted back to back with the reduced size 36" x 18" "END ROAD WORK" (G20-2) sign on low volume crossroads (see Note 4 under "Typical Construction Warning Sign Size and Spacing"). See the "Standard Highway Sign Designs for Texas" manual for sign details. The Engineer may omit the advance warning signs on low volume crossroads. The Engineer will determine whether a road is low volume as per TMUTCD Part 5. This information shall be shown in the plans.
 - Based on existing field conditions, the Engineer/Inspector may require additional signs such as FLAGGER AHEAD, LOOSE GRAVEL, or other appropriate signs. When additional signs are required, these signs will be considered part of the minimum requirements. The Engineer/Inspector will determine the proper location and spacing of any sign not shown on the BC sheets, Traffic Control Plan sheets or the Work Zone Standard Sheets.
 - The "ROAD WORK NEXT X MILES" (G20-1aT) sign shall be required at high volume crossroads to advise motorists of the length of construction in either direction from the intersection. The Engineer will determine whether a roadway is considered high volume.
 - Additional traffic control devices may be shown elsewhere in the plans for higher volume crossroads.
 - When work occurs in the intersection area, appropriate traffic control devices, as shown elsewhere in the plans or as determined by the Engineer/Inspector, shall be in place.

T-INTERSECTION



CSJ LIMITS AT T-INTERSECTION

- The Engineer will determine the types and location of any additional traffic control devices, such as a flagger and accompanying signs, or other signs, that should be used when work is being performed at or near an intersection.
- If construction closes the road at a T-intersection, the Contractor shall place the "CONTRACTOR NAME" (G20-6T) sign behind the Type 3 Barricades for the road closure (see BC(10) also). The "ROAD WORK NEXT X MILES" left arrow (G20-1bTL) and "ROAD WORK NEXT X MILES" right arrow (G20-1bTR) signs shall be replaced by the detour signing called for in the plans.

TYPICAL CONSTRUCTION WARNING SIGN SIZE AND SPACING^{1,5,6}

| Sign Number or Series | SIZE | | SPACING | |
|---------------------------------------|-------------------|--------------------|------------------|----------------------------------|
| | Conventional Road | Expressway/Freeway | Posted Speed MPH | Sign Δ Spacing "x" Feet (Apprx.) |
| CW20 ⁴ | 48" x 48" | 48" x 48" | 30 | 120 |
| CW21 | | | 35 | 160 |
| CW22 | | | 40 | 240 |
| CW23 | | | 45 | 320 |
| CW25 | | | 50 | 400 |
| CW1, CW2, CW7, CW8, CW9, CW11, CW14 | 36" x 36" | 48" x 48" | 55 | 500 ² |
| CW3, CW4, CW5, CW6, CW8-3, CW10, CW12 | 48" x 48" | 48" x 48" | 60 | 600 ² |
| | | | 65 | 700 ² |
| | | | 70 | 800 ² |
| | | | 75 | 900 ² |
| | | | 80 | 1000 ² |
| | | | * | * ³ |

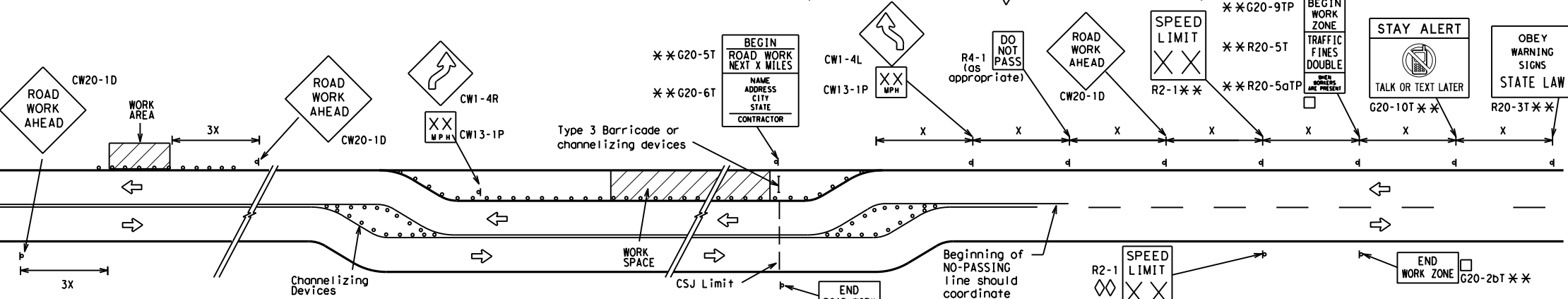
* For typical sign spacings on divided highways, expressways and freeways, see Part 6 of the "Texas Manual on Uniform Traffic Control Devices" (TMUTCD) typical application diagrams or TCP Standard Sheets.

Δ Minimum distance from work area to first Advance Warning sign nearest the work area and/or distance between each additional sign.

GENERAL NOTES

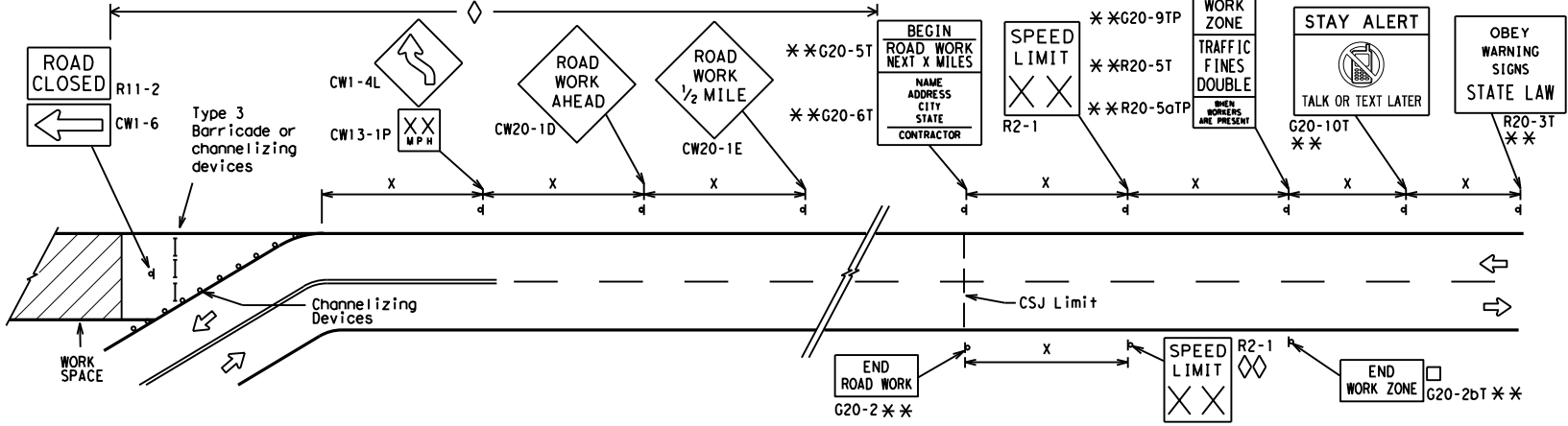
- Special or larger size signs may be used as necessary.
- Distance between signs should be increased as required to have 1500 feet advance warning.
- Distance between signs should be increased as required to have 1/2 mile or more advance warning.
- 36" x 36" "ROAD WORK AHEAD" (CW20-1D) signs may be used on low volume crossroads at the discretion of the Engineer as per TMUTCD Part 5. See Note 2 under "Typical Location of Crossroad Signs".
- Only diamond shaped warning sign sizes are indicated.
- See sign size listing in "TMUTCD", Sign Appendix or the "Standard Highway Sign Designs for Texas" manual for complete list of available sign design sizes.

WORK AREAS IN MULTIPLE LOCATIONS WITHIN CSJ LIMITS

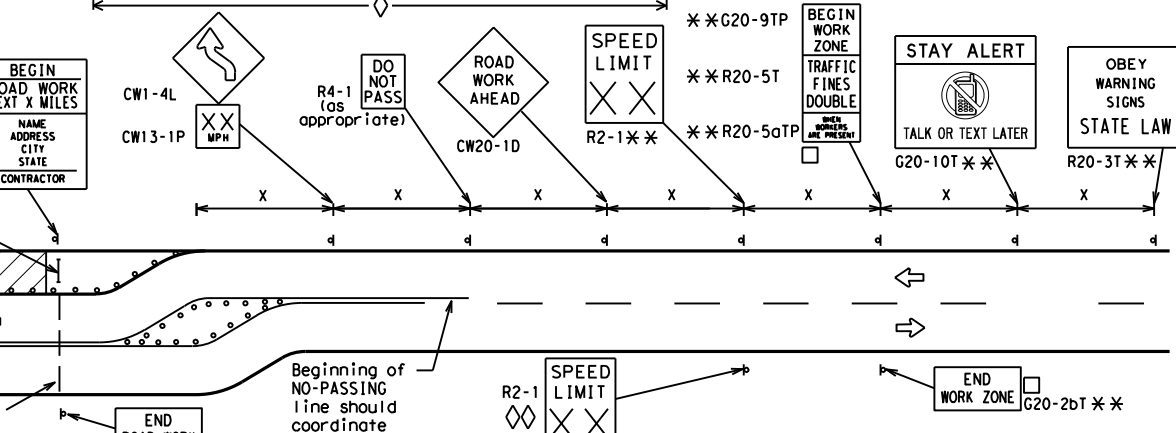


When extended distances occur between minimal work spaces, the Engineer/Inspector should ensure additional "ROAD WORK AHEAD" (CW20-1D) signs are placed in advance of these work areas to remind drivers they are still within the project limits. See the applicable TCP sheets for exact location and spacing of signs and channelizing devices.

SAMPLE LAYOUT OF SIGNING FOR WORK BEGINNING DOWNSTREAM OF THE CSJ LIMITS



SAMPLE LAYOUT OF SIGNING FOR WORK BEGINNING AT THE CSJ LIMITS



NOTES

- The Contractor shall determine the appropriate distance to be placed on the G20-1 series signs and "BEGIN ROAD WORK NEXT X MILES" (G20-5T) sign for each specific project. This distance shall replace the "x" and shall be rounded to the nearest whole mile with the approval of the Engineer. No decimals shall be used.
- The "BEGIN WORK ZONE" (G20-9TP) and "END WORK ZONE" (G20-2bT) shall be used as shown on the sample layout when advance signs are required outside the CSJ Limits. They inform the motorist of entering or leaving a part of the work zone lying outside the CSJ Limits where traffic fines may double if workers are present.
 - CSJ limit signing is required for highway construction and maintenance work, with the exception of mobile operations.
 - Area for placement of "ROAD WORK AHEAD" (CW20-1D) sign and other signs or devices as called for on the Traffic Control Plan.
 - Contractor will install a regulatory speed limit sign at the end of the work zone.

LEGEND

| | |
|-------|---|
| — | Type 3 Barricade |
| ○ ○ ○ | Channelizing Devices |
| ■ | Sign |
| X | See Typical Construction Warning Sign Size and Spacing chart or the TMUTCD for sign spacing requirements. |

SHEET 2 OF 12



BARRICADE AND CONSTRUCTION PROJECT LIMIT

BC(2)-21

| | | | | |
|-----------------------|-----------|-----------|-----------|-----------|
| FILE: bc-21.dgn | DN: TxDOT | CK: TxDOT | DW: TxDOT | CK: TxDOT |
| © TxDOT November 2002 | CONT | SECT | JOB | HIGHWAY |
| REVISIONS | 0071 | 03 | 042 | US87 |
| 9-07 8-14 | DIST | COUNTY | SHEET NO. | |
| 7-13 5-21 | AUS | MASON | 11 | |

TYPICAL APPLICATION OF WORK ZONE SPEED LIMIT SIGNS

Work zone speed limits shall be regulatory, established in accordance with the "Procedures for Establishing Speed Zones," and approved by the Texas Transportation Commission, or by City Ordinance when within Incorporated City Limits.

Reduced speeds should only be posted in the vicinity of work activity and not throughout the entire project. Regulatory work zone speed signs (R2-1) shall be removed or covered during periods when they are not needed.



GUIDANCE FOR USE:

LONG/INTERMEDIATE TERM WORK ZONE SPEED LIMITS

This type of work zone speed limit should be included on the design of the traffic control plans when restricted geometrics with a lower design speed are present in the work zone and modification of the geometrics to a higher design speed is not feasible.

Long/Intermediate Term Work Zone Speed Limit signs, when approved as described above, should be posted and visible to the motorist when work activity is present. Work activity may also be defined as a change in the roadway that requires a reduced speed for motorists to safely negotiate the work area, including:

- rough road or damaged pavement surface
- substantial alteration of roadway geometrics (diversions)
- construction detours
- grade
- width
- other conditions readily apparent to the driver

As long as any of these conditions exist, the work zone speed limit signs should remain in place.

SHORT TERM WORK ZONE SPEED LIMITS

This type of work zone speed limit may be included on the design of the traffic control plans when workers or equipment are not behind concrete barrier, when work activity is within 10 feet of the traveled way or actually in the traveled way.

Short Term Work Zone Speed Limit signs should be posted and visible to the motorists only when work activity is present. When work activity is not present, signs shall be removed or covered. (See Removing or Covering on BC(4)).

GENERAL NOTES

- Regulatory work zone speed limits should be used only for sections of construction projects where speed control is of major importance.
- Regulatory work zone speed limit signs shall be placed on supports at a 7 foot minimum mounting height.
- Speed zone signs are illustrated for one direction of travel and are normally posted for each direction of travel.
- Frequency of work zone speed limit signs should be:

| | |
|--------------------|----------------|
| 40 mph and greater | 0.2 to 2 miles |
| 35 mph and less | 0.2 to 1 mile |
- Regulatory speed limit signs shall have black legend and border on a white reflective background (See "Reflective Sheeting" on BC(4)).
- Fabrication, erection and maintenance of the "ADVANCE SPEED LIMIT" (CW3-5) sign, "WORK ZONE" (G20-5aP) plaque and the "SPEED LIMIT" (R2-1) signs shall not be paid for directly, but shall be considered subsidiary to Item 502.
- Turning signs from view, laying signs over or down will not be allowed, unless as otherwise noted under "REMOVING OR COVERING" on BC(4).
- Techniques that may help reduce traffic speeds include but are not limited to:
 - Law enforcement.
 - Flagger stationed next to sign.
 - Portable changeable message sign (PCMS).
 - Low-power (drone) radar transmitter.
 - Speed monitor trailers or signs.
- Speeds shown on details above are for illustration only. Work Zone Speed Limits should only be posted as approved for each project.
- For more specific guidance concerning the type of work, work zone conditions and factors impacting allowable regulatory construction speed zone reduction see TxDOT form #1204 in the TxDOT e-form system.

DISCLAIMER: The use of this standard is governed by the "Texas Engineering Practice Act". No warranty of any kind is made by TxDOT for any purpose whatsoever. TxDOT assumes no responsibility for the conversion of units or for the accuracy of the information contained herein.

DATE: 7/6/2021 11:18:23 AM
 FILE: I:\Design\AUS_0071-03-042_US87_Overlay From McCullloch CL to S of Kruse RD\BARRICADE AND CONSTRUCTION WORK ZONE SPEED LIMIT.dgn

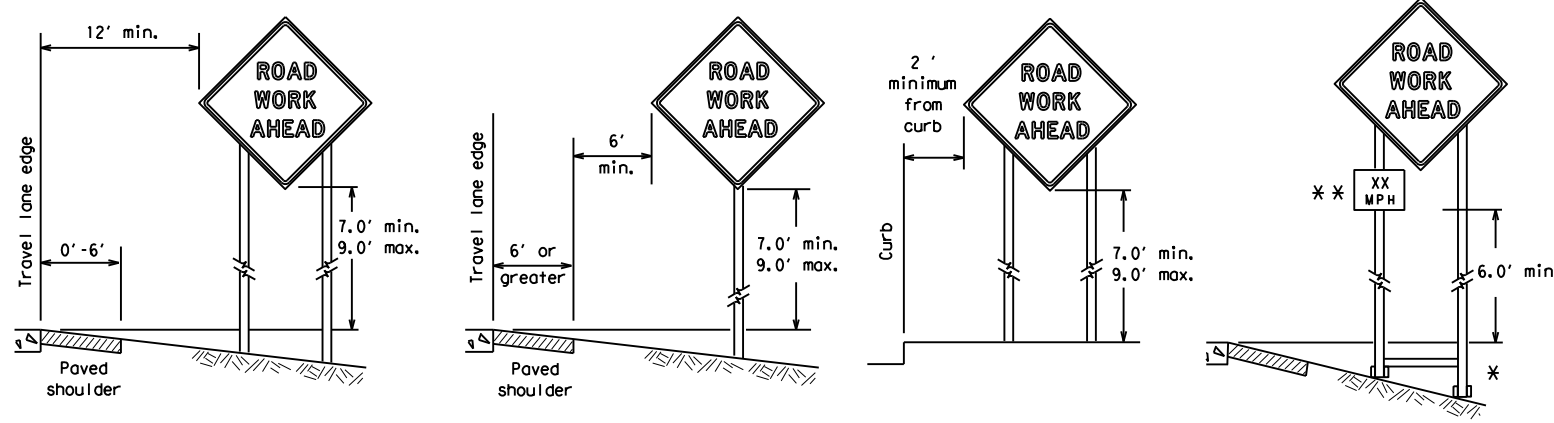
SHEET 3 OF 12

| | | | |
|---|---------------|----------------------------------|-------|
| | | Traffic Safety Division Standard | |
| <h2>BARRICADE AND CONSTRUCTION WORK ZONE SPEED LIMIT</h2> | | | |
| <h3>BC (3) - 21</h3> | | | |
| FILE: | bc-21.dgn | DW: | TxDOT |
| © TxDOT | November 2002 | CONT: | 0071 |
| REVISIONS | | SECT: | 03 |
| 9-07 | 8-14 | JOB: | 042 |
| 7-13 | 5-21 | HIGHWAY: | US87 |
| | | DIST: | AUS |
| | | COUNTY: | MASON |
| | | SHEET NO.: | 12 |

DISCLAIMER: The use of this standard is governed by the "Texas Engineering Practice Act". No warranty of any kind is made by TxDOT for any purpose whatsoever. TxDOT assumes no responsibility for the conversion of this standard to other formats or for incorrect use of this standard resulting from its use.

DATE: 7/6/2021 11:18:25 AM
 FILE: T:\Design\AUS_0071-03-042_US87_Over Lay From McCullloch CL to S. of Kruse Rd\4 - Design\Plan_Set\1. General\STANDARD DON\BC-21.dgn

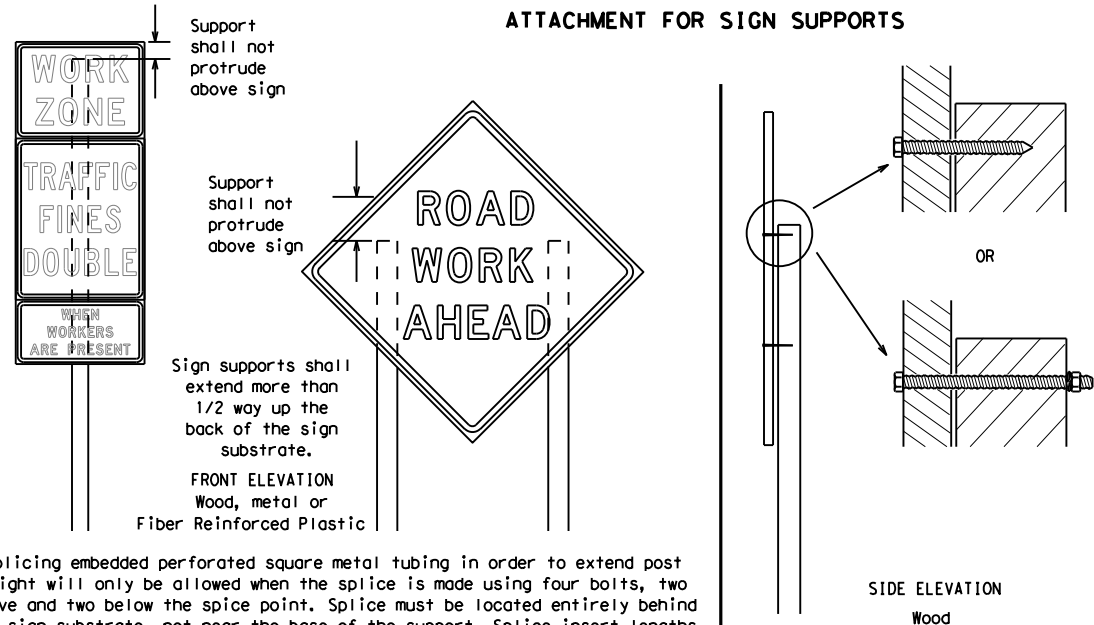
TYPICAL MINIMUM CLEARANCES FOR LONG TERM AND INTERMEDIATE TERM SIGNS



* When placing skid supports on unlevel ground, the leg post lengths must be adjusted so the sign appears straight and plumb. Objects shall NOT be placed under skids as a means of leveling.

** When plaques are placed on dual-leg supports, they should be attached to the upright nearest the travel lane. Supplemental plaques (advisory or distance) should not cover the surface of the parent sign.

ATTACHMENT FOR SIGN SUPPORTS



Splicing embedded perforated square metal tubing in order to extend post height will only be allowed when the splice is made using four bolts, two above and two below the splice point. Splice must be located entirely behind the sign substrate, not near the base of the support. Splice insert lengths should be at least 5 times nominal post size, centered on the splice and of at least the same gauge material.

GENERAL NOTES FOR WORK ZONE SIGNS

- Contractor shall install and maintain signs in a straight and plumb condition and/or as directed by the Engineer.
- Wooden sign posts shall be painted white.
- Barricades shall NOT be used as sign supports.
- All signs shall be installed in accordance with the plans or as directed by the Engineer. Signs shall be used to regulate, warn, and guide the traveling public safely through the work zone.
- The Contractor may furnish either the sign design shown in the plans or in the "Standard Highway Sign Designs for Texas" (SHSD). The Engineer/Inspector may require the Contractor to furnish other work zone signs that are shown in the TMUTCD but may have been omitted from the plans. Any variation in the plans shall be documented by written agreement between the Engineer and the Contractor's Responsible Person. All changes must be documented in writing before being implemented. This can include documenting the changes in the Inspector's TxDOT diary and having both the Inspector and Contractor initial and date the agreed upon changes.
- The Contractor shall furnish sign supports listed in the "Compliant Work Zone Traffic Control Device List" (CWZTCD) for small roadside signs. Supports for temporary large roadside signs shall meet the requirements detailed on the Temporary Large Roadside Signs (TLRS) standard sheets. The Contractor shall install the sign support in accordance with the manufacturer's recommendations. If there is a question regarding installation procedures, the Contractor shall furnish the Engineer a copy of the manufacturer's installation recommendations so the Engineer can verify the correct procedures are being followed.
- The Contractor is responsible for installing signs on approved supports and replacing signs with damaged or cracked substrates and/or damaged or marred reflective sheeting as directed by the Engineer/Inspector.
- Identification markings may be shown only on the back of the sign substrate. The maximum height of letters and/or company logos used for identification shall be 1 inch.
- The Contractor shall replace damaged wood posts. New or damaged wood sign posts shall not be spliced.

DURATION OF WORK (as defined by the "Texas Manual on Uniform Traffic Control Devices" Part 6)

- The types of sign supports, sign mounting height, the size of signs, and the type of sign substrates can vary based on the type of work being performed. The Engineer is responsible for selecting the appropriate size sign for the type of work being performed. The Contractor is responsible for ensuring the sign support, sign mounting height and substrate meets manufacturer's recommendations in regard to crashworthiness and duration of work requirements.
 - Long-term stationary - work that occupies a location more than 3 days.
 - Intermediate-term stationary - work that occupies a location more than one daylight period up to 3 days, or nighttime work lasting more than one hour.
 - Short-term stationary - daytime work that occupies a location for more than 1 hour in a single daylight period.
 - Short, duration - work that occupies a location up to 1 hour.
 - Mobile - work that moves continuously or intermittently (stopping for up to approximately 15 minutes.)

SIGN MOUNTING HEIGHT

- The bottom of Long-term/Intermediate-term signs shall be at least 7 feet, but not more than 9 feet, above the paved surface, except as shown for supplemental plaques mounted below other signs.
- The bottom of Short-term/Short Duration signs shall be a minimum of 1 foot above the pavement surface but no more than 2 feet above the ground.
- Long-term/Intermediate-term Signs may be used in lieu of Short-term/Short Duration signing.
- Short-term/Short Duration signs shall be used only during daylight and shall be removed at the end of the workday or raised to appropriate Long-term/Intermediate sign height.
- Regulatory signs shall be mounted at least 7 feet, but not more than 9 feet, above the paved surface regardless of work duration.

SIZE OF SIGNS

- The Contractor shall furnish the sign sizes shown on BC (2) unless otherwise shown in the plans or as directed by the Engineer.

SIGN SUBSTRATES

- The Contractor shall ensure the sign substrate is installed in accordance with the manufacturer's recommendations for the type of sign support that is being used. The CWZTCD lists each substrate that can be used on the different types and models of sign supports.
- "Mesh" type materials are NOT an approved sign substrate, regardless of the tightness of the weave.
- All wooden individual sign panels fabricated from 2 or more pieces shall have one or more plywood cleat, 1/2" thick by 6" wide, fastened to the back of the sign and extending fully across the sign. The cleat shall be attached to the back of the sign using wood screws that do not penetrate the face of the sign panel. The screws shall be placed on both sides of the splice and spaced at 6" centers. The Engineer may approve other methods of splicing the sign face.

REFLECTIVE SHEETING

- All signs shall be retroreflective and constructed of sheeting meeting the color and retro-reflectivity requirements of DMS-8300 for rigid signs or DMS-8310 for roll-up signs. The web address for DMS specifications is shown on BC(1).
- White sheeting, meeting the requirements of DMS-8300 Type A, shall be used for signs with a white background.
- Orange sheeting, meeting the requirements of DMS-8300 Type B_{FL} or Type C_{FL}, shall be used for rigid signs with orange backgrounds.

SIGN LETTERS

- All sign letters and numbers shall be clear, and open rounded type uppercase alphabet letters as approved by the Federal Highway Administration (FHWA) and as published in the "Standard Highway Sign Design for Texas" manual. Signs, letters and numbers shall be of first class workmanship in accordance with Department Standards and Specifications.

REMOVING OR COVERING

- When sign messages may be confusing or do not apply, the signs shall be removed or completely covered.
- Long-term stationary or intermediate stationary signs installed on square metal tubing may be turned away from traffic 90 degrees when the sign message is not applicable. This technique may not be used for signs installed in the median of divided highways or near any intersections where the sign may be seen from approaching traffic.
- Signs installed on wooden skids shall not be turned at 90 degree angles to the roadway. These signs should be removed or completely covered when not required.
- When signs are covered, the material used shall be opaque, such as heavy mil black plastic, or other materials which will cover the entire sign face and maintain their opaque properties under automobile headlights at night, without damaging the sign sheeting.
- Burlap shall NOT be used to cover signs.
- Duct tape or other adhesive material shall NOT be affixed to a sign face.
- Signs and anchor stubs shall be removed and holes backfilled upon completion of work.

SIGN SUPPORT WEIGHTS

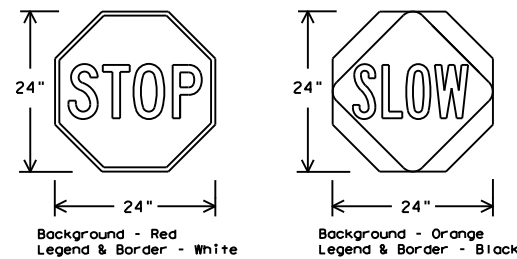
- Where sign supports require the use of weights to keep from turning over, the use of sandbags with dry, cohesionless sand should be used.
- The sandbags will be tied shut to keep the sand from spilling and to maintain a constant weight.
- Rock, concrete, iron, steel or other solid objects shall not be permitted for use as sign support weights.
- Sandbags should weigh a minimum of 35 lbs and a maximum of 50 lbs.
- Sandbags shall be made of a durable material that tears upon vehicular impact. Rubber (such as tire inner tubes) shall NOT be used.
- Rubber ballasts designed for channelizing devices should not be used for ballast on portable sign supports. Sign supports designed and manufactured with rubber bases may be used when shown on the CWZTCD list.
- Sandbags shall only be placed along or laid over the base supports of the traffic control device and shall not be suspended above ground level or hung with rope, wire, chains or other fasteners. Sandbags shall be placed along the length of the skids to weigh down the sign support.
- Sandbags shall NOT be placed under the skid and shall not be used to level sign supports placed on slopes.

FLAGS ON SIGNS

- Flags may be used to draw attention to warning signs. When used, the flag shall be 16 inches square or larger and shall be orange or fluorescent red-orange in color. Flags shall not be allowed to cover any portion of the sign face.

STOP/SLOW PADDLES

- STOP/SLOW paddles are the primary method to control traffic by flaggers. The STOP/SLOW paddle size should be 24" x 24".
- STOP/SLOW paddles shall be retroreflective when used at night.
- STOP/SLOW paddles may be attached to a staff with a minimum length of 6' to the bottom of the sign.
- Any lights incorporated into the STOP or SLOW paddle faces shall only be as specifically described in Section 6E.03 Hand Signaling Devices in the TMUTCD.



| SHEETING REQUIREMENTS (WHEN USED AT NIGHT) | | |
|--|--------|--|
| USAGE | COLOR | SIGN FACE MATERIAL |
| BACKGROUND | RED | TYPE B OR C SHEETING |
| BACKGROUND | ORANGE | TYPE B _{FL} OR C _{FL} SHEETING |
| LEGEND & BORDER | WHITE | TYPE B OR C SHEETING |
| LEGEND & BORDER | BLACK | ACRYLIC NON-REFLECTIVE FILM |

CONTRACTOR REQUIREMENTS FOR MAINTAINING PERMANENT SIGNS WITHIN THE PROJECT LIMITS

- Permanent signs are used to give notice of traffic laws or regulations, call attention to conditions that are potentially hazardous to traffic operations, show route designations, destinations, directions, distances, services, points of interest, and other geographical, recreational, specific service (LOGO), or cultural information. Drivers proceeding through a work zone need the same, if not better route guidance as normally installed on a roadway without construction.
- When permanent regulatory or warning signs conflict with work zone conditions, remove or cover the permanent signs until the permanent sign message matches the roadway condition. For details for covering large guide signs see the TS-CD standard.
- When existing permanent signs are moved and relocated due to construction purposes, they shall be visible to motorists at all times.
- If existing signs are to be relocated on their original supports, they shall be installed on crashworthy bases as shown on the SMD Standard sheets. The signs shall meet the required mounting heights shown on the BC Sheets or the SMD Standards. This work should be paid for under the appropriate pay item for relocating existing signs.
- If permanent signs are to be removed and relocated using temporary supports, the Contractor shall use crashworthy supports as shown on the BC standard sheets, TLRS standard sheets or the CWZTCD list. The signs shall meet the required mounting heights shown on the BC, or the SMD standard sheets during construction. This work should be paid for under the appropriate pay item for relocating existing signs.
- Any sign or traffic control device that is struck or damaged by the Contractor or his/her construction equipment shall be replaced as soon as possible by the Contractor to ensure proper guidance for the motorists. This will be subsidiary to Item 502.

SHEET 4 OF 12



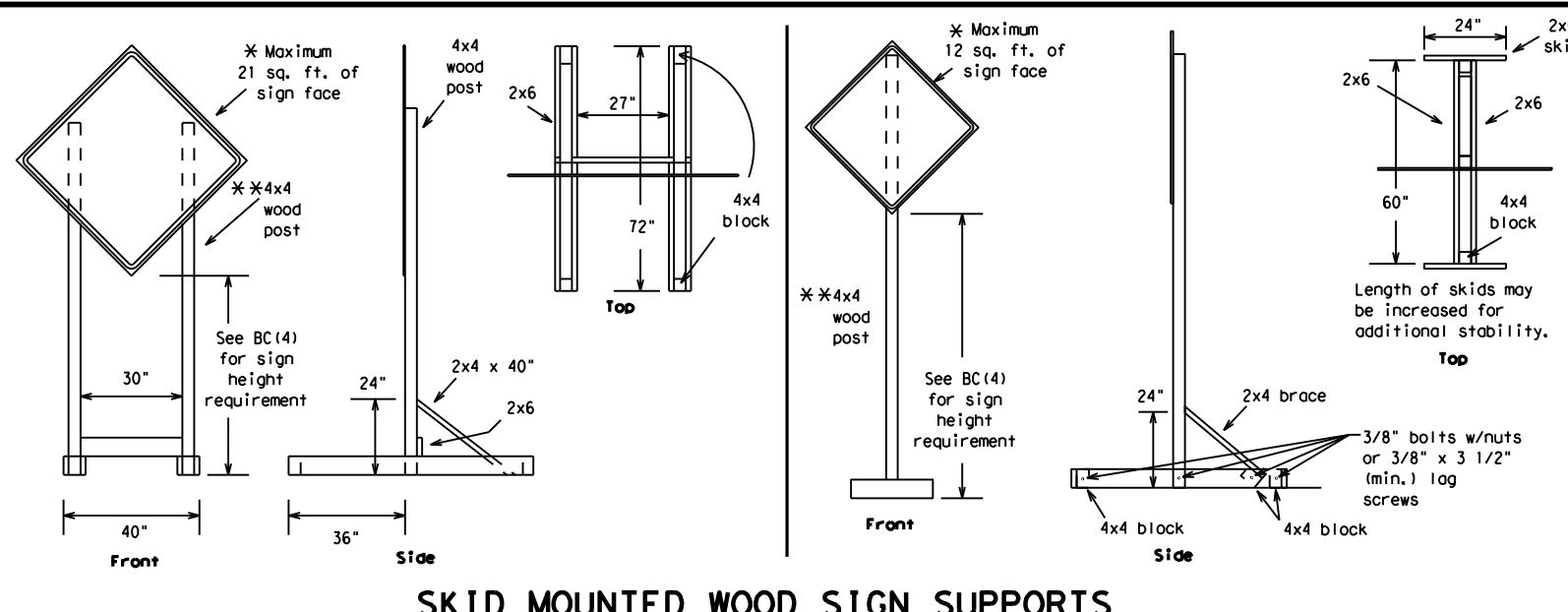
BARRICADE AND CONSTRUCTION TEMPORARY SIGN NOTES

BC (4) - 21

| | | | | | | | | | |
|-----------|---------------|------|--------|-----------|---------|-----|-------|-----|-------|
| FILE: | bc-21.dgn | DN: | TxDOT | CK: | TxDOT | OW: | TxDOT | CR: | TxDOT |
| © TxDOT | November 2002 | CONT | SECT | JOB | HIGHWAY | | | | |
| REVISIONS | | 0071 | 03 | 042 | US87 | | | | |
| 9-07 | 8-14 | DIST | COUNTY | SHEET NO. | | | | | |
| 7-13 | 5-21 | AUS | MASON | 13 | | | | | |

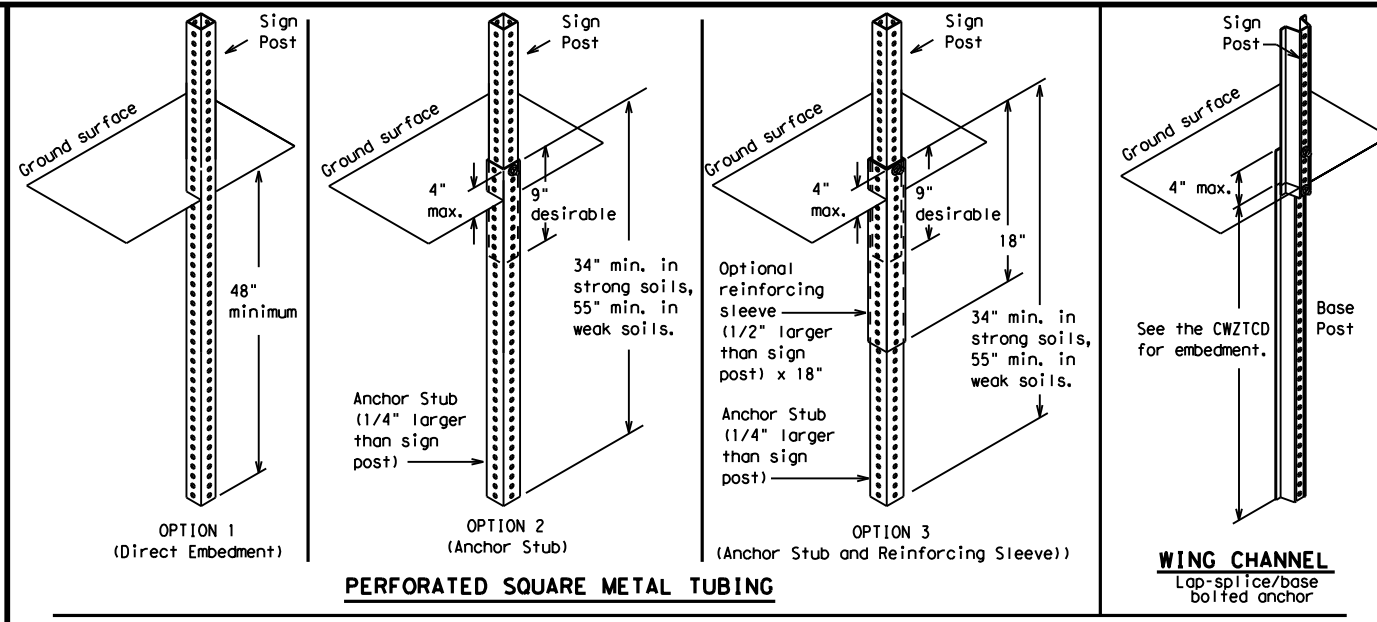
DISCLAIMER: The use of this standard is governed by the "Texas Engineering Practice Act". No warranty of any kind is made by TxDOT for any purpose whatsoever. TxDOT assumes no responsibility for the conversion of this standard to other formats for incorrect results or damages resulting from its use.

DATE: 7/6/2021 11:18:26 AM
 FILE: I:\Design\AUS_0071-03-042_US87_Overlay from McCulloch CL to S of Kruse Rd.v4 - Design\Plan_Sets\1 - General\STANDARD_DGN\BC-21.dgn



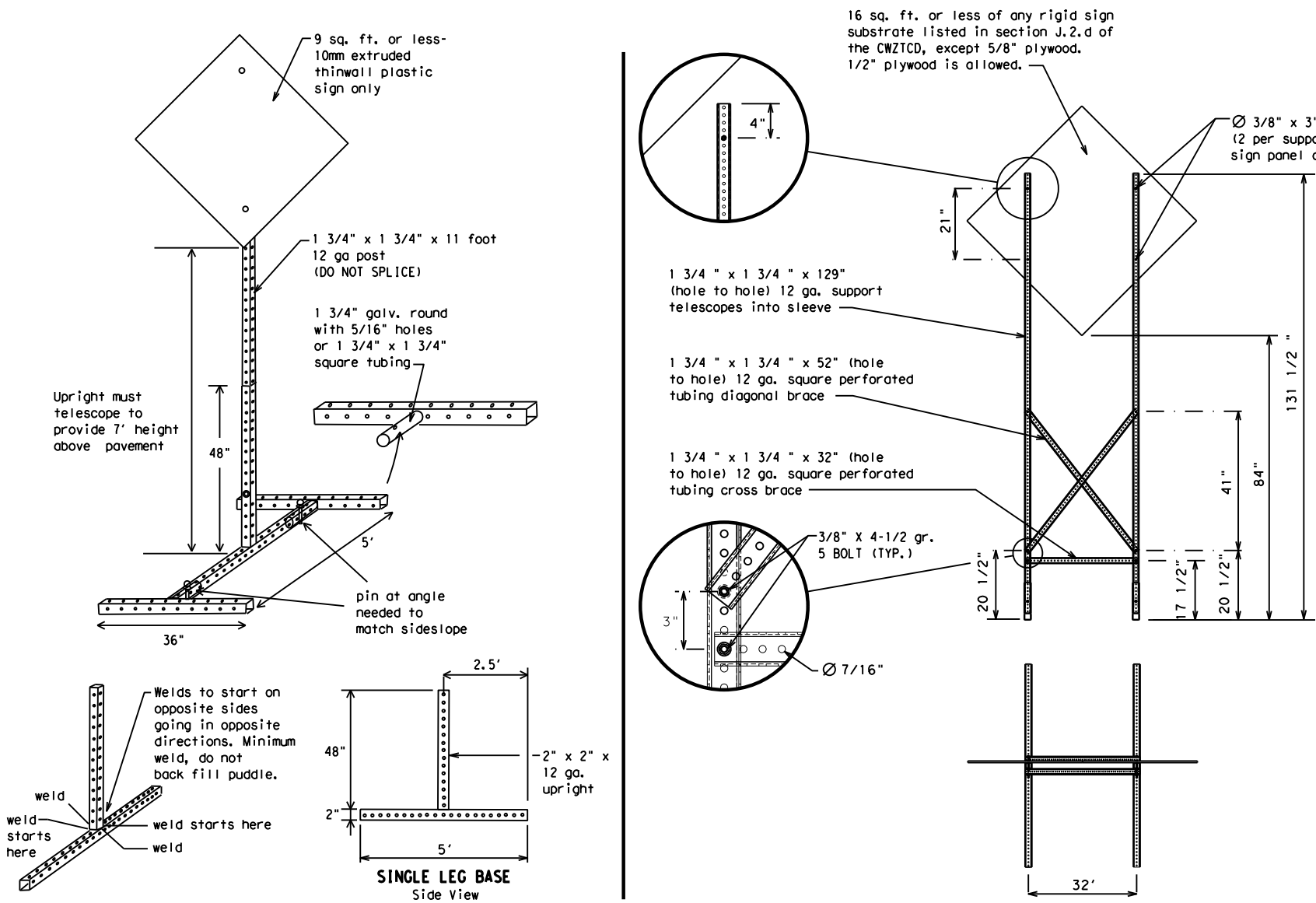
SKID MOUNTED WOOD SIGN SUPPORTS

* LONG/INTERMEDIATE TERM STATIONARY - PORTABLE SKID MOUNTED SIGN SUPPORTS



GROUND MOUNTED SIGN SUPPORTS

Refer to the CWZTCD and the manufacturer's installation procedure for each type sign support. The maximum sign square footage shall adhere to the manufacturer's recommendation. Two post installations can be used for larger signs.



SKID MOUNTED PERFORATED SQUARE STEEL TUBING SIGN SUPPORTS

* LONG/INTERMEDIATE TERM STATIONARY - PORTABLE SKID MOUNTED SIGN SUPPORTS

WEDGE ANCHORS

Both steel and plastic Wedge Anchor Systems as shown on the SMD Standard Sheets may be used as temporary sign supports for signs up to 10 square feet of sign face. They may be set in concrete or in sturdy soils if approved by the Engineer. (See web address for "Traffic Engineering Standard Sheets" on BC(1)).

OTHER DESIGNS

MORE DETAILS OF APPROVED LONG/INTERMEDIATE AND SHORT TERM SUPPORTS CAN BE FOUND ON THE CWZTCD LIST. SEE BC(1) FOR WEBSITE LOCATION.

GENERAL NOTES

- Nails may be used in the assembly of wooden sign supports, but 3/8" bolts with nuts or 3/8" x 3 1/2" lag screws must be used on every joint for final connection.
- No more than 2 sign posts shall be placed within a 7 ft. circle, except for specific materials noted on the CWZTCD List.
- When project is completed, all sign supports and foundations shall be removed from the project site. This will be considered subsidiary to Item 502.

- * See BC(4) for definition of "Work Duration."
- ** Wood sign posts MUST be one piece. Splicing will NOT be allowed. Posts shall be painted white.
- See the CWZTCD for the type of sign substrate that can be used for each approved sign support.

SHEET 5 OF 12



BARRICADE AND CONSTRUCTION TYPICAL SIGN SUPPORT

BC(5) - 21

| | | | | | | | | | |
|-----------|---------------|-------|---------|-----------|----------|-----|-------|-----|-------|
| FILE: | bc-21.dgn | DN: | TxDOT | CK: | TxDOT | DW: | TxDOT | CR: | TxDOT |
| © TxDOT | November 2002 | CONT: | SECT: | JOB: | HIGHWAY: | | | | |
| REVISIONS | 0071 | 03 | 042 | US87 | | | | | |
| 9-07 | 8-14 | DIST: | COUNTY: | SHEET NO. | | | | | |
| 7-13 | 5-21 | AUS | MASON | 14 | | | | | |

WHEN NOT IN USE, REMOVE THE PCMS FROM THE RIGHT-OF-WAY OR PLACE THE PCMS BEHIND BARRIER OR GUARDRAIL WITH SIGN PANEL TURNED PARALLEL TO TRAFFIC

RECOMMENDED PHASES AND FORMATS FOR PCMS MESSAGES DURING ROADWORK ACTIVITIES

(The Engineer may approve other messages not specifically covered here.)

PORTABLE CHANGEABLE MESSAGE SIGNS

- The Engineer/Inspector shall approve all messages used on portable changeable message signs (PCMS).
- Messages on PCMS should contain no more than 8 words (about four to eight characters per word), not including simple words such as "TO," "FOR," "AT," etc.
- Messages should consist of a single phase, or two phases that alternate. Three-phase messages are not allowed. Each phase of the message should convey a single thought, and must be understood by itself.
- Use the word "EXIT" to refer to an exit ramp on a freeway; i.e., "EXIT CLOSED." Do not use the term "RAMP."
- Always use the route or interstate designation (IH, US, SH, FM) along with the number when referring to a roadway.
- When in use, the bottom of a stationary PCMS message panel should be a minimum 7 feet above the roadway, where possible.
- The message term "WEEKEND" should be used only if the work is to start on Saturday morning and end by Sunday evening at midnight. Actual days and hours of work should be displayed on the PCMS if work is to begin on Friday evening and/or continue into Monday morning.
- The Engineer/Inspector may select one of two options which are available for displaying a two-phase message on a PCMS. Each phase may be displayed for either four seconds each or for three seconds each.
- Do not "flash" messages or words included in a message. The message should be steady burn or continuous while displayed.
- Do not present redundant information on a two-phase message; i.e., keeping two lines of the message the same and changing the third line.
- Do not use the word "Danger" in message.
- Do not display the message "LANES SHIFT LEFT" or "LANES SHIFT RIGHT" on a PCMS. Drivers do not understand the message.
- Do not display messages that scroll horizontally or vertically across the face of the sign.
- The following table lists abbreviated words and two-word phrases that are acceptable for use on a PCMS. Both words in a phrase must be displayed together. Words or phrases not on this list should not be abbreviated, unless shown in the TMUTCD.
- PCMS character height should be at least 18 inches for trailer mounted units. They should be visible from at least 1/2 (.5) mile and the text should be legible from at least 600 feet at night and 800 feet in daylight. Truck mounted units must have a character height of 10 inches and must be legible from at least 400 feet.
- Each line of text should be centered on the message board rather than left or right justified.
- If disabled, the PCMS should default to an illegible display that will not alarm motorists and will only be used to alert workers that the PCMS has malfunctioned. A pattern such as a series of horizontal solid bars is appropriate.

Phase 1: Condition Lists

Road/Lane/Ramp Closure List

| | |
|-----------------------|--------------------------|
| FREEWAY CLOSED X MILE | FRONTAGE ROAD CLOSED |
| ROAD CLOSED AT SH XXX | SHOULDER CLOSED XXX FT |
| ROAD CLSD AT FM XXXX | RIGHT LN CLOSED XXX FT |
| RIGHT X LANES CLOSED | RIGHT X LANES OPEN |
| CENTER LANE CLOSED | DAYTIME LANE CLOSURES |
| NIGHT LANE CLOSURES | I-XX SOUTH EXIT CLOSED |
| VARIOUS LANES CLOSED | EXIT XXX CLOSED X MILE |
| EXIT CLOSED | RIGHT LN TO BE CLOSED |
| MALL DRIVEWAY CLOSED | X LANES CLOSED TUE - FRI |
| XXXXXXXXX BLVD CLOSED | |

Other Condition List

| | |
|--------------------------|-------------------------|
| ROADWORK XXX FT | ROAD REPAIRS XXXX FT |
| FLAGGER XXXX FT | LANE NARROWS XXXX FT |
| RIGHT LN NARROWS XXXX FT | TWO-WAY TRAFFIC XX MILE |
| MERGING TRAFFIC XXXX FT | CONST TRAFFIC XXX FT |
| LOOSE GRAVEL XXXX FT | UNEVEN LANES XXXX FT |
| DETOUR X MILE | ROUGH ROAD XXXX FT |
| ROADWORK PAST SH XXXX | ROADWORK NEXT FRI-SUN |
| BUMP XXXX FT | US XXX EXIT X MILES |
| TRAFFIC SIGNAL XXXX FT | LANES SHIFT * |

* LANES SHIFT in Phase 1 must be used with STAY IN LANE in Phase 2.

Phase 2: Possible Component Lists

Action to Take/Effect on Travel List

| | |
|----------------------|----------------------|
| MERGE RIGHT | FORM X LINES RIGHT |
| DETOUR NEXT X EXITS | USE XXXXX RD EXIT |
| USE EXIT XXX | USE EXIT I-XX NORTH |
| STAY ON US XXX SOUTH | USE I-XX E TO I-XX N |
| TRUCKS USE US XXX N | WATCH FOR TRUCKS |
| WATCH FOR TRUCKS | EXPECT DELAYS |
| EXPECT DELAYS | PREPARE TO STOP |
| REDUCE SPEED XXX FT | END SHOULDER USE |
| USE OTHER ROUTES | WATCH FOR WORKERS |
| STAY IN LANE * | |

Location List

| |
|--------------------------|
| AT FM XXXX |
| BEFORE RAILROAD CROSSING |
| NEXT X MILES |
| PAST US XXX EXIT |
| XXXXXXXXX TO XXXXXXXX |
| US XXX TO FM XXXX |

Warning List

| |
|-----------------------|
| SPEED LIMIT XX MPH |
| MAXIMUM SPEED XX MPH |
| MINIMUM SPEED XX MPH |
| ADVISORY SPEED XX MPH |
| RIGHT LANE EXIT |
| USE CAUTION |
| DRIVE SAFELY |
| DRIVE WITH CARE |

** Advance Notice List

| |
|-----------------------|
| TUE-FRI XX AM-X PM |
| APR XX-XX X PM-X AM |
| BEGINS MONDAY |
| BEGINS MAY XX |
| MAY X-X XX PM - XX AM |
| NEXT FRI-SUN |
| XX AM TO XX PM |
| NEXT TUE AUG XX |
| TONIGHT XX PM-XX AM |

** See Application Guidelines Note 6.

APPLICATION GUIDELINES

- Only 1 or 2 phases are to be used on a PCMS.
- The 1st phase (or both) should be selected from the "Road/Lane/Ramp Closure List" and the "Other Condition List".
- A 2nd phase can be selected from the "Action to Take/Effect on Travel, Location, General Warning, or Advance Notice Phase Lists".
- A Location Phase is necessary only if a distance or location is not included in the first phase selected.
- If two PCMS are used in sequence, they must be separated by a minimum of 1000 ft. Each PCMS shall be limited to two phases, and should be understandable by themselves.
- For advance notice, when the current date is within seven days of the actual work date, calendar days should be replaced with days of the week. Advance notification should typically be for no more than one week prior to the work.

WORDING ALTERNATIVES

- The words RIGHT, LEFT and ALL can be interchanged as appropriate.
- Roadway designations IH, US, SH, FM and LP can be interchanged as appropriate.
- EAST, WEST, NORTH and SOUTH (or abbreviations E, W, N and S) can be interchanged as appropriate.
- Highway names and numbers replaced as appropriate.
- ROAD, HIGHWAY and FREEWAY can be interchanged as needed.
- AHEAD may be used instead of distances if necessary.
- FT and MI, MILE and MILES interchanged as appropriate.
- AT, BEFORE and PAST interchanged as needed.
- Distances or AHEAD can be eliminated from the message if a location phase is used.

PCMS SIGNS WITHIN THE R.O.W. SHALL BE BEHIND GUARDRAIL OR CONCRETE BARRIER OR SHALL HAVE A MINIMUM OF FOUR (4) PLASTIC DRUMS PLACED PERPENDICULAR TO TRAFFIC ON THE UPSTREAM SIDE OF THE PCMS, WHEN EXPOSED TO ONE DIRECTION OF TRAFFIC. WHEN EXPOSED TO TWO WAY TRAFFIC, THE FOUR DRUMS SHOULD BE PLACED WITH ONE DRUM AT EACH OF THE FOUR CORNERS OF THE UNIT.

FULL MATRIX PCMS SIGNS

- When Full Matrix PCMS signs are used, the character height and legibility/visibility requirements shall be maintained as listed in Note 15 under "PORTABLE CHANGEABLE MESSAGE SIGNS" above.
- When symbol signs, such as the "Flagger Symbol" (CW20-7) are represented graphically on the Full Matrix PCMS sign and, with the approval of the Engineer, it shall maintain the legibility/visibility requirement listed above.
- When symbol signs are represented graphically on the Full Matrix PCMS, they shall only supplement the use of the static sign represented, and shall not substitute for, or replace that sign.
- A full matrix PCMS may be used to simulate a flashing arrow board provided it meets the visibility, flash rate and dimming requirements on BC(7), for the same size arrow.

DISCLAIMER: The use of this standard is governed by the "Texas Engineering Practice Act". No warranty of any kind is made by TxDOT for any purpose whatsoever. TxDOT assumes no responsibility for the conversion of this standard to other formats or for any errors or omissions that may result from such conversions. FILE: T:\Design\AUS_0071-03-042_US87_Overlaid From McCallloch CL to S of Kruse Rd.v4 - Design\Plan_Sets\VI - General\STANDARD_DGN\BC-21.dgn

DATE: 7/6/2021 11:18:28 AM
FILE: T:\Design\AUS_0071-03-042_US87_Overlaid From McCallloch CL to S of Kruse Rd.v4 - Design\Plan_Sets\VI - General\STANDARD_DGN\BC-21.dgn

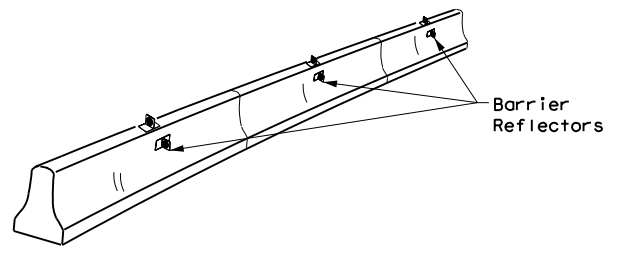
| WORD OR PHRASE | ABBREVIATION | WORD OR PHRASE | ABBREVIATION |
|------------------------|--------------|----------------|--------------|
| Access Road | ACCS RD | Major | MAJ |
| Alternate | ALT | Miles | MI |
| Avenue | AVE | Miles Per Hour | MPH |
| Best Route | BEST RTE | Minor | MNR |
| Boulevard | BLVD | Monday | MON |
| Bridge | BRDG | Normal | NORM |
| Canal | CANT | North | N |
| Center | CTR | Northbound | (route) N |
| Construction Ahead | CONST AHD | Parking | PKING |
| CROSSING | XING | Road | RD |
| Detour Route | DETOUR RTE | Right Lane | RT LN |
| Do Not | DONT | Saturday | SAT |
| East | E | Service Road | SERV RD |
| Eastbound | (route) E | Shoulder | SHLDR |
| Emergency | EMER | Slippery | SLIP |
| Emergency Vehicle | EMER VEH | South | S |
| Entrance, Enter | ENT | Southbound | (route) S |
| Express Lane | EXP LN | Speed | SPD |
| Expressway | EXPWY | Street | ST |
| XXXX Feet | XXXX FT | Sunday | SUN |
| Fog Ahead | FOG AHD | Telephone | PHONE |
| Freeway | FRWY, FWY | Temporary | TEMP |
| Freeway Blocked | FWY BLKD | Thursday | THURS |
| Friday | FRI | To Downtown | TO DWNTN |
| Hazardous Driving | HAZ DRIVING | Traffic | TRAF |
| Hazardous Material | HAZMAT | Travelers | TRVLR |
| High Occupancy Vehicle | HOV | Tuesday | TUES |
| Hour(s) | HR, HRS | Time Minutes | TIME MIN |
| Information | INFO | Upper Level | UPR LEVEL |
| It Is | ITS | Vehicles (s) | VEH, VEHS |
| Junction | JCT | Warning | WARN |
| Left | LFT | Wednesday | WED |
| Left Lane | LFT LN | Weight Limit | WT LIMIT |
| Lane Closed | LN CLOSED | West | W |
| Lower Level | LWR LEVEL | Westbound | (route) W |
| Maintenance | MAINT | Wet Pavement | WET PVMT |
| | | Will Not | WONT |

Roadway designation # IH-number, US-number, SH-number, FM-number

| | | | |
|---|-----------|------------|-------|
| | | | |
| <h3>BARRICADE AND CONSTRUCTION PORTABLE CHANGEABLE MESSAGE SIGN (PCMS)</h3> | | | |
| <h2>BC (6) - 21</h2> | | | |
| FILE: | bc-21.dgn | DW: | TxDOT |
| CONT: | 0071 | SECT: | 03 |
| REVISIONS: | 0071 | JOB: | 042 |
| 9-07 | 8-14 | HIGHWAY: | US87 |
| 7-13 | 5-21 | DIST: | AUS |
| | | COUNTY: | MASON |
| | | SHEET NO.: | 15 |

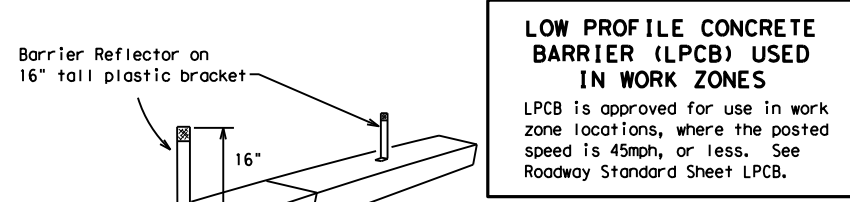
DISCLAIMER: The use of this standard is governed by the "Texas Engineering Practice Act". No warranty of any kind is made by TxDOT for any purpose whatsoever. TxDOT assumes no responsibility for the conversion of this standard to other formats or for incorrect results or damages resulting from its use.
 DATE: 7/6/2021 11:18:29 AM
 FILE: I:\Design\AUS_0071-03-042_US87_Overlay from McCullloch CL to S of Kruse Rd\4 - Design\Plan_Set\1. General\STANDARD DON\BC-21.dgn

- Barrier Reflectors shall be pre-qualified, and conform to the color and reflectivity requirements of DMS-8600. A list of prequalified Barrier Reflectors can be found at the Material Producer List web address shown on BC(1).
- Color of Barrier Reflectors shall be as specified in the TMUTCD. The cost of the reflectors shall be considered subsidiary to Item 512.



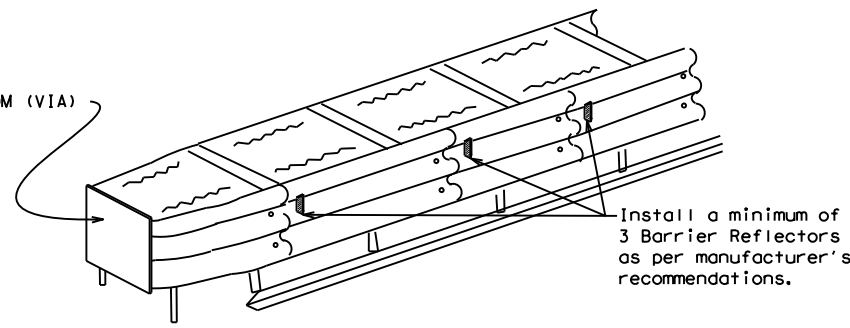
CONCRETE TRAFFIC BARRIER (CTB)

- Where traffic is on one side of the CTB, two (2) Barrier Reflectors shall be mounted in approximately the midsection of each section of CTB. An alternate mounting location is uniformly spaced at one end of each CTB. This will allow for attachment of a barrier grapple without damaging the reflector. The Barrier Reflector mounted on the side of the CTB shall be located directly below the reflector mounted on top of the barrier, as shown in the detail above.
- Where CTB separates two-way traffic, three barrier reflectors shall be mounted on each section of CTB. The reflector unit on top shall have two yellow reflective faces (Bi-Directional) while the reflectors on each side of the barrier shall have one yellow reflective face, as shown in the detail above.
- When CTB separates traffic traveling in the same direction, no barrier reflectors will be required on top of the CTB.
- Barrier Reflector units shall be yellow or white in color to match the edgeline being supplemented.
- Maximum spacing of Barrier Reflectors is forty (40) feet.
- Pavement markers or temporary flexible-reflective roadway marker tabs shall NOT be used as CTB delineation.
- Attachment of Barrier Reflectors to CTB shall be per manufacturer's recommendations.
- Missing or damaged Barrier Reflectors shall be replaced as directed by the Engineer.
- Single slope barriers shall be delineated as shown on the above detail.



LOW PROFILE CONCRETE BARRIER (LPCB) USED IN WORK ZONES
 LPCB is approved for use in work zone locations, where the posted speed is 45mph, or less. See Roadway Standard Sheet LPCB.

LOW PROFILE CONCRETE BARRIER (LPCB)



DELINEATION OF END TREATMENTS

END TREATMENTS FOR CTB'S USED IN WORK ZONES
 End treatments used on CTB's in work zones shall meet the appropriate crashworthy standards as defined in the Manual for Assessing Safety Hardware (MASH). Refer to the CWZTCD List for approved end treatments and manufacturers.

BARRIER REFLECTORS FOR CONCRETE TRAFFIC BARRIER AND ATTENUATORS

WARNING LIGHTS

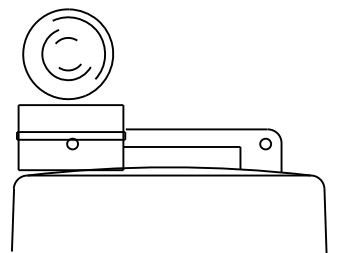
- Warning lights shall meet the requirements of the TMUTCD.
- Warning lights shall NOT be installed on barricades.
- Type A-Low Intensity Flashing Warning Lights are commonly used with drums. They are intended to warn of or mark a potentially hazardous area. Their use shall be as indicated on this sheet and/or other sheets of the plans by the designation "FL". The Type A Warning Lights shall not be used with signs manufactured with Type B_{FL} or C_{FL} Sheeting meeting the requirements of Departmental Material Specification DMS-8300.
- Type-C and Type D 360 degree Steady Burn Lights are intended to be used in a series for delineation to supplement other traffic control devices. Their use shall be as indicated on this sheet and/or other sheets of the plans by the designation "SB".
- The Engineer/Inspector or the plans shall specify the location and type of warning lights to be installed on the traffic control devices.
- When required by the Engineer, the Contractor shall furnish a copy of the warning lights certification. The warning light manufacturer will certify the warning lights meet the requirements of the latest ITE Purchase Specifications for Flashing and Steady-Burn Warning Lights.
- When used to delineate curves, Type-C and Type D Steady Burn Lights should only be placed on the outside of the curve, not the inside.
- The location of warning lights and warning reflectors on drums shall be as shown elsewhere in the plans.

WARNING LIGHTS MOUNTED ON PLASTIC DRUMS

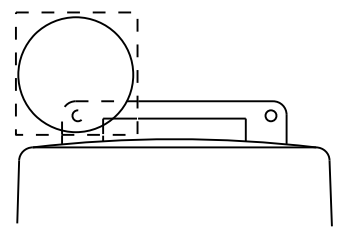
- Type A flashing warning lights are intended to warn drivers that they are approaching or are in a potentially hazardous area.
- Type A random flashing warning lights are not intended for delineation and shall not be used in a series.
- A series of sequential flashing warning lights placed on channelizing devices to form a merging taper may be used for delineation. If used, the successive flashing of the sequential warning lights should occur from the beginning of the taper to the end of the merging taper in order to identify the desired vehicle path. The rate of flashing for each light shall be 65 flashes per minute, plus or minus 10 flashes.
- Type C and D steady-burn warning lights are intended to be used in a series to delineate the edge of the travel lane on detours, on lane changes, on lane closures, and on other similar conditions.
- Type A, Type C and Type D warning lights shall be installed at locations as detailed on other sheets in the plans.
- Warning lights shall not be installed on a drum that has a sign, chevron or vertical panel.
- The maximum spacing for warning lights on drums should be identical to the channelizing device spacing.

WARNING REFLECTORS MOUNTED ON PLASTIC DRUMS AS A SUBSTITUTE FOR TYPE C (STEADY BURN) WARNING LIGHTS

- A warning reflector or approved substitute may be mounted on a plastic drum as a substitute for a Type C, steady burn warning light at the discretion of the Contractor unless otherwise noted in the plans.
- The warning reflector shall be yellow in color and shall be manufactured using a sign substrate approved for use with plastic drums listed on the CWZTCD.
- The warning reflector shall have a minimum retroreflective surface area (one-side) of 30 square inches.
- Round reflectors shall be fully reflectorized, including the area where attached to the drum.
- Square substrates must have a minimum of 30 square inches of reflectorized sheeting. They do not have to be reflectorized where it attaches to the drum.
- The side of the warning reflector facing approaching traffic shall have sheeting meeting the color and retroreflectivity requirements for DMS 8300-Type B or Type C.
- When used near two-way traffic, both sides of the warning reflector shall be reflectorized.
- The warning reflector should be mounted on the side of the handle nearest approaching traffic.
- The maximum spacing for warning reflectors should be identical to the channelizing device spacing requirements.



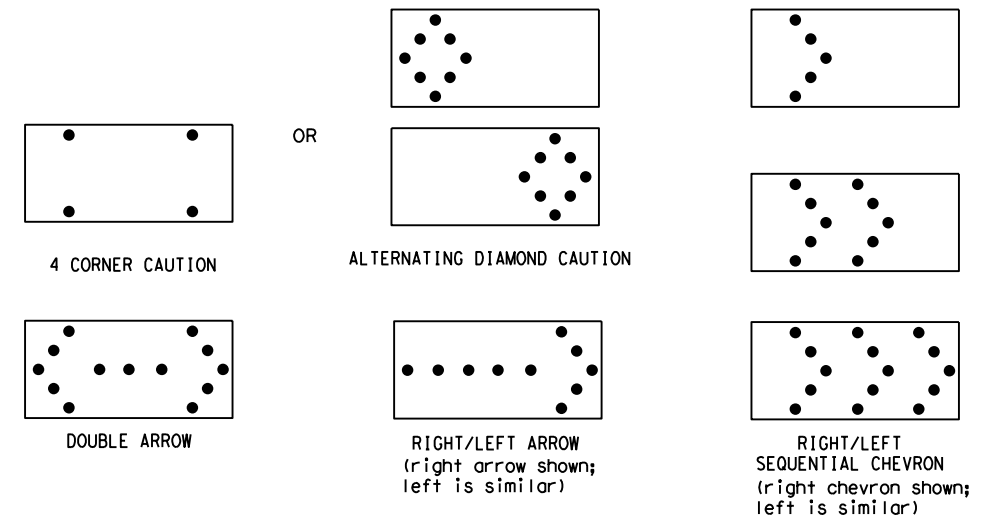
Type C Warning Light or approved substitute mounted on a drum adjacent to the travel way.



Warning reflector may be round or square. Must have a yellow reflective surface area of at least 30 square inches

Arrow Boards may be located behind channelizing devices in place for a shoulder taper or merging taper, otherwise they shall be delineated with four (4) channelizing devices placed perpendicular to traffic on the upstream side of traffic.

- The Flashing Arrow Board should be used for all lane closures on multi-lane roadways, or slow moving maintenance or construction activities on the travel lanes.
- Flashing Arrow Boards should not be used on two-lane, two-way roadways, detours, diversions or work on shoulders unless the "CAUTION" display (see detail below) is used.
- The Engineer/Inspector shall choose all appropriate signs, barricades and/or other traffic control devices that should be used in conjunction with the Flashing Arrow Board.
- The Flashing Arrow Board should be able to display the following symbols:



- The "CAUTION" display consists of four corner lamps flashing simultaneously, or the Alternating Diamond Caution mode as shown.
- The straight line caution display is NOT ALLOWED.
- The Flashing Arrow Board shall be capable of minimum 50 percent dimming from rated lamp voltage. The flashing rate of the lamps shall not be less than 25 nor more than 40 flashes per minute.
- Minimum lamp "on time" shall be approximately 50 percent for the flashing arrow and equal intervals of 25 percent for each sequential phase of the flashing chevron.
- The sequential arrow display is NOT ALLOWED.
- The flashing arrow display is the TxDOT standard; however, the sequential chevron display may be used during daylight operations.
- The Flashing Arrow Board shall be mounted on a vehicle, trailer or other suitable support.
- A Flashing Arrow Board SHALL NOT BE USED to laterally shift traffic.
- A full matrix PCMS may be used to simulate a Flashing Arrow Board provided it meets visibility, flash rate and dimming requirements on this sheet for the same size arrow.
- Minimum mounting height of trailer mounted Arrow Boards should be 7 feet from roadway to bottom of panel.

| REQUIREMENTS | | | |
|--------------|--------------|-------------------------------|-----------------------------|
| TYPE | MINIMUM SIZE | MINIMUM NUMBER OF PANEL LAMPS | MINIMUM VISIBILITY DISTANCE |
| B | 30 x 60 | 13 | 3/4 mile |
| C | 48 x 96 | 15 | 1 mile |

ATTENTION
 Flashing Arrow Boards shall be equipped with automatic dimming devices.

WHEN NOT IN USE, REMOVE THE ARROW BOARD FROM THE RIGHT-OF-WAY OR PLACE THE ARROW BOARD BEHIND CONCRETE TRAFFIC BARRIER OR GUARDRAIL.

FLASHING ARROW BOARDS

SHEET 7 OF 12

TRUCK-MOUNTED ATTENUATORS

- Truck-mounted attenuators (TMA) used on TxDOT facilities must meet the requirements outlined in the Manual for Assessing Safety Hardware (MASH).
- Refer to the CWZTCD for the requirements of Level 2 or Level 3 TMAs.
- Refer to the CWZTCD for a list of approved TMAs.
- TMAs are required on freeways unless otherwise noted in the plans.
- A TMA should be used anytime that it can be positioned 30 to 100 feet in advance of the area of crew exposure without adversely affecting the work performance.
- The only reason a TMA should not be required is when a work area is spread down the roadway and the work crew is an extended distance from the TMA.



BARRICADE AND CONSTRUCTION ARROW PANEL, REFLECTORS, WARNING LIGHTS & ATTENUATOR

BC (7) -21

| | | | | | | | | | |
|-----------|---------------|------|--------|-----|-----------|-----|-------|-----|-------|
| FILE: | bc-21.dgn | DN: | TxDOT | CR: | TxDOT | OW: | TxDOT | CK: | TxDOT |
| © TxDOT | November 2002 | CONT | SECT | JOB | HIGHWAY | | | | |
| REVISIONS | | 0071 | 03 | 042 | US87 | | | | |
| 9-07 | 8-14 | DIST | COUNTY | | SHEET NO. | | | | |
| 7-13 | 5-21 | AUS | MASON | | 16 | | | | |

DISCLAIMER: The use of this standard is governed by the "Texas Engineering Practice Act". No warranty of any kind is made by TxDOT for any purpose whatsoever. TxDOT assumes no responsibility for the conversion of this standard to other formats or for incorrect results or damages resulting from its use.
 DATE: 7/6/2021 11:18:31 AM
 FILE: I:\Design\AUS_0071-03-042_US87_Overlaid From McCulloch CL to S of Kruse Rd\4 - Design\Plan Set\1. General\STANDARD DON\BC-21.dgn

GENERAL NOTES

- For long term stationary work zones on freeways, drums shall be used as the primary channelizing device.
- For intermediate term stationary work zones on freeways, drums should be used as the primary channelizing device but may be replaced in tangent sections by vertical panels, or 42" two-piece cones. In tangent sections, one-piece cones may be used with the approval of the Engineer but only if personnel are present on the project at all times to maintain the cones in proper position and location.
- For short term stationary work zones on freeways, drums are the preferred channelizing device but may be replaced in tapers, transitions and tangent sections by vertical panels, two-piece cones or one-piece cones as approved by the Engineer.
- Drums and all related items shall comply with the requirements of the current version of the "Texas Manual on Uniform Traffic Control Devices" (TMUTCD) and the "Compliant Work Zone Traffic Control Devices List" (CWZTCD).
- Drums, bases, and related materials shall exhibit good workmanship and shall be free from objectionable marks or defects that would adversely affect their appearance or serviceability.
- The Contractor shall have a maximum of 24 hours to replace any plastic drums identified for replacement by the Engineer/Inspector. The replacement device must be an approved device.

GENERAL DESIGN REQUIREMENTS

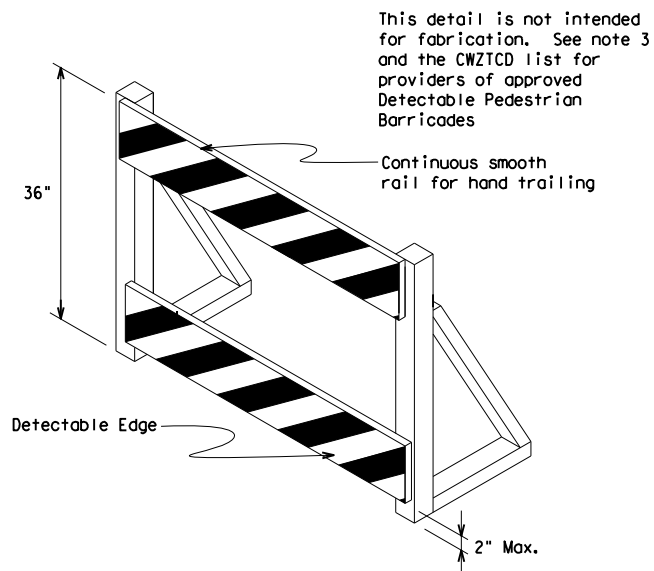
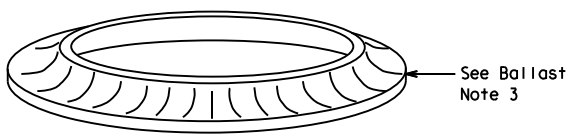
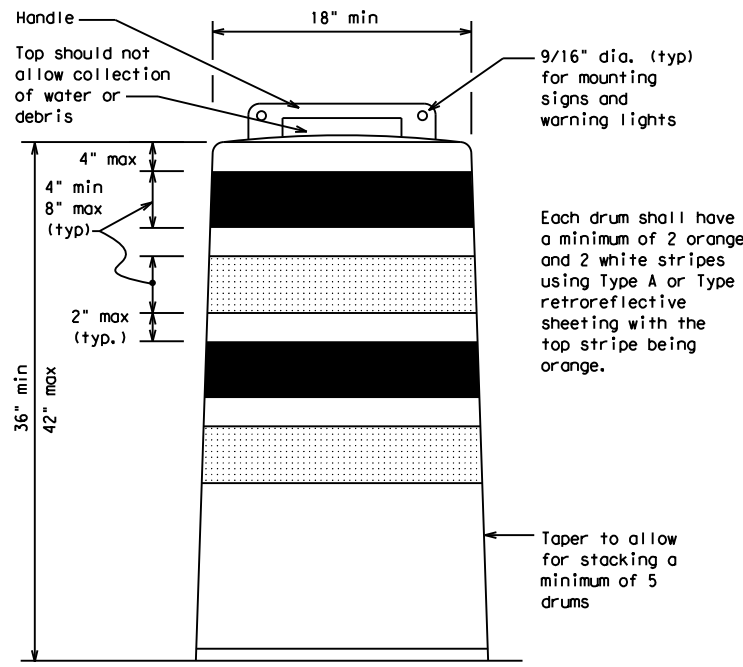
- Pre-qualified plastic drums shall meet the following requirements:
- Plastic drums shall be a two-piece design; the "body" of the drum shall be the top portion and the "base" shall be the bottom.
 - The body and base shall lock together in such a manner that the body separates from the base when impacted by a vehicle traveling at a speed of 20 MPH or greater but prevents accidental separation due to normal handling and/or air turbulence created by passing vehicles.
 - Plastic drums shall be constructed of lightweight flexible, and deformable materials. The Contractor shall NOT use metal drums or single piece plastic drums as channelization devices or sign supports.
 - Drums shall present a profile that is a minimum of 18 inches in width at the 36 inch height when viewed from any direction. The height of drum unit (body installed on base) shall be a minimum of 36 inches and a maximum of 42 inches.
 - The top of the drum shall have a built-in handle for easy pickup and shall be designed to drain water and not collect debris. The handle shall have a minimum of two widely spaced 9/16 inch diameter holes to allow attachment of a warning light, warning reflector unit or approved compliant sign.
 - The exterior of the drum body shall have a minimum of four alternating orange and white retroreflective circumferential stripes not less than 4 inches nor greater than 8 inches in width. Any non-reflectorized space between any two adjacent stripes shall not exceed 2 inches in width.
 - Bases shall have a maximum width of 36 inches, a maximum height of 4 inches, and a minimum of two footholds of sufficient size to allow base to be held down while separating the drum body from the base.
 - Plastic drums shall be constructed of ultra-violet stabilized, orange, high-density polyethylene (HDPE) or other approved material.
 - Drum body shall have a maximum unballasted weight of 11 lbs.
 - Drum and base shall be marked with manufacturer's name and model number.

RETROREFLECTIVE SHEETING

- The stripes used on drums shall be constructed of sheeting meeting the color and retroreflectivity requirements of Departmental Materials Specification DMS-8300, "Sign Face Materials." Type A or Type B reflective sheeting shall be supplied unless otherwise specified in the plans.
- The sheeting shall be suitable for use on and shall adhere to the drum surface such that, upon vehicular impact, the sheeting shall remain adhered in-place and exhibit no delaminating, cracking, or loss of retroreflectivity other than that loss due to abrasion of the sheeting surface.

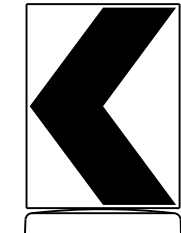
BALLAST

- Unballasted bases shall be large enough to hold up to 50 lbs. of sand. This base, when filled with the ballast material, should weigh between 35 lbs (minimum) and 50 lbs (maximum). The ballast may be sand in one to three sandbags separate from the base, sand in a sand-filled plastic base, or other ballasting devices as approved by the Engineer. Stacking of sandbags will be allowed, however height of sandbags above pavement surface may not exceed 12 inches.
- Bases with built-in ballast shall weigh between 40 lbs. and 50 lbs. Built-in ballast can be constructed of an integral crumb rubber base or a solid rubber base.
- Recycled truck tire sidewalls may be used for ballast on drums approved for this type of ballast on the CWZTCD list.
- The ballast shall not be heavy objects, water, or any material that would become hazardous to motorists, pedestrians, or workers when the drum is struck by a vehicle.
- When used in regions susceptible to freezing, drums shall have drainage holes in the bottoms so that water will not collect and freeze becoming a hazard when struck by a vehicle.
- Ballast shall not be placed on top of drums.
- Adhesives may be used to secure base of drums to pavement.

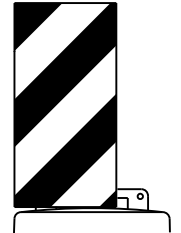


DETECTABLE PEDESTRIAN BARRICADES

- When existing pedestrian facilities are disrupted, closed, or relocated in a TTC zone, the temporary facilities shall be detectable and include accessibility features consistent with the features present in the existing pedestrian facility. Refer to WZ(BTS-2) for Pedestrian Control requirements for Sidewalk Diversions, Sidewalk Detours and Crosswalk Closures.
- Where pedestrians with visual disabilities normally use the closed sidewalk, a Detectable Pedestrian Barricade shall be placed across the full width of the closed sidewalk instead of a Type 3 Barricade.
- Detectable pedestrian barricades similar to the one pictured above, longitudinal channelizing devices, some concrete barriers, and wood or chain link fencing with a continuous detectable edging can satisfactorily delineate a pedestrian path.
- Tape, rope, or plastic chain strung between devices are not detectable, do not comply with the design standards in the "Americans with Disabilities Act Accessibility Guidelines (ADAAG)" and should not be used as a control for pedestrian movements.
- Warning lights shall not be attached to detectable pedestrian barricades.
- Detectable pedestrian barricades should use 8" nominal barricade rails as shown on BC(10) provided that the top rail provides a smooth continuous rail suitable for hand trailing with no splinters, burrs, or sharp edges.



18" x 24" Sign
(Maximum Sign Dimension)
Chevron CW1-8, Opposing Traffic Lane Divider, Driveway sign D70a, Keep Right R4 series or other signs as approved by Engineer



12" x 24" Vertical Panel
mount with diagonals sloping down towards travel way

Plywood, Aluminum or Metal sign substrates shall NOT be used on plastic drums

SIGNS, CHEVRONS, AND VERTICAL PANELS MOUNTED ON PLASTIC DRUMS

- Signs used on plastic drums shall be manufactured using substrates listed on the CWZTCD.
- Chevrons and other work zone signs with an orange background shall be manufactured with Type B_{FL} or Type C_{FL} Orange sheeting meeting the color and retroreflectivity requirements of DMS-8300, "Sign Face Material," unless otherwise specified in the plans.
- Vertical Panels shall be manufactured with orange and white sheeting meeting the requirements of DMS-8300 Type A or Type B. Diagonal stripes on Vertical Panels shall slope down toward the intended traveled lane.
- Other sign messages (text or symbolic) may be used as approved by the Engineer. Sign dimensions shall not exceed 18 inches in width or 24 inches in height, except for the R9 series signs discussed in note 8 below.
- Signs shall be installed using a 1/2 inch bolt (nominal) and nut, two washers, and one locking washer for each connection.
- Mounting bolts and nuts shall be fully engaged and adequately torqued. Bolts should not extend more than 1/2 inch beyond nuts.
- Chevrons may be placed on drums on the outside of curves, on merging tapers or on shifting tapers. When used in these locations, they may be placed on every drum or spaced not more than on every third drum. A minimum of three (3) should be used at each location called for in the plans.
- R9-9, R9-10, R9-11 and R9-11a Sidewalk Closed signs which are 24 inches wide may be mounted on plastic drums, with approval of the Engineer.

SHEET 8 OF 12



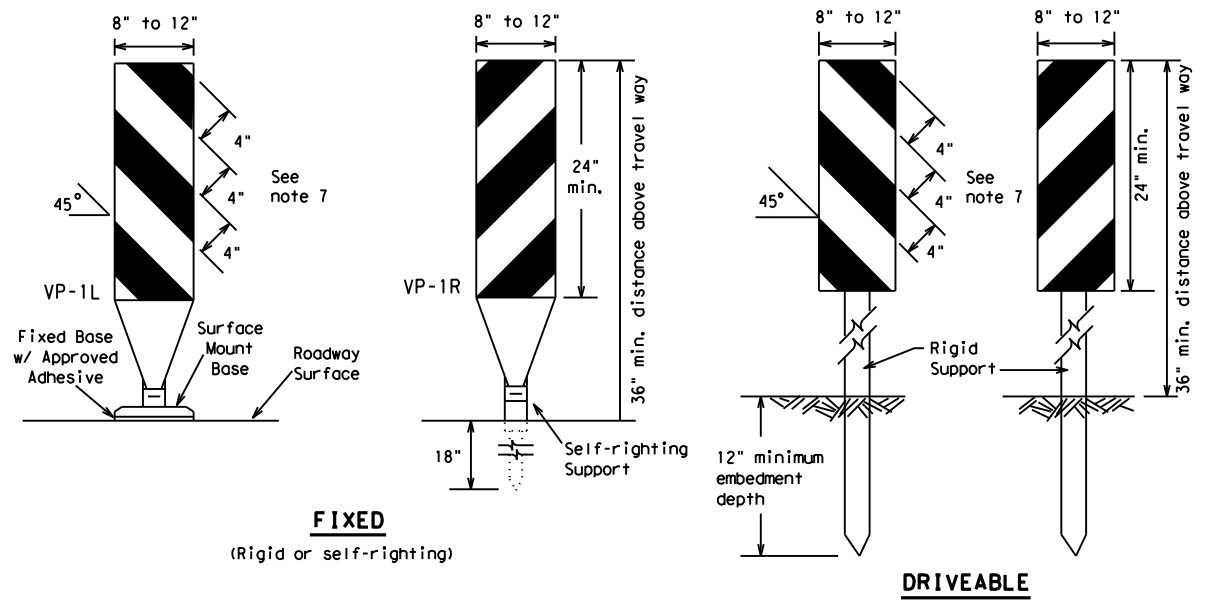
BARRICADE AND CONSTRUCTION CHANNELIZING DEVICES

BC (8) - 21

| | | | | | | | | | |
|-----------|---------------|------|--------|-----------|---------|-----|-------|-----|-------|
| FILE: | bc-21.dgn | DN: | TxDOT | CR: | TxDOT | DW: | TxDOT | CK: | TxDOT |
| © TxDOT | November 2002 | CONT | SECT | JOB | HIGHWAY | | | | |
| REVISIONS | | 0071 | 03 | 042 | US87 | | | | |
| 4-03 | 8-14 | DIST | COUNTY | SHEET NO. | | | | | |
| 9-07 | 5-21 | AUS | MASON | 17 | | | | | |
| 7-13 | | | | | | | | | |

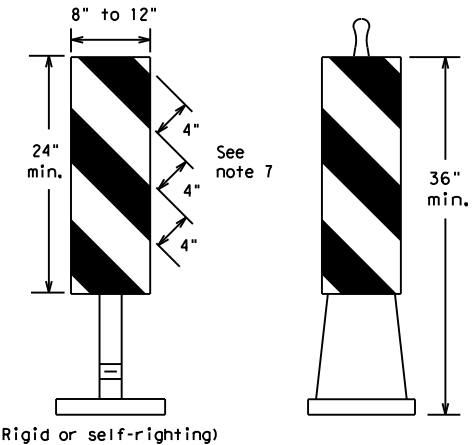
DISCLAIMER: The use of this standard is governed by the "Texas Engineering Practice Act". No warranty of any kind is made by TxDOT for any purpose whatsoever. TxDOT assumes no responsibility for the conversion of this standard to other formats or for incorrect results or damages resulting from its use.

DATE: 7/6/2021 11:18:33 AM
 FILE: I:\Design\AUS_0071-03-042_US87_OverLay From McCullloch CL to S of Kruse Rd\4 - Design\Plan_Set\1. General\STANDARD_DGN\BC-21.dgn



FIXED
(Rigid or self-righting)

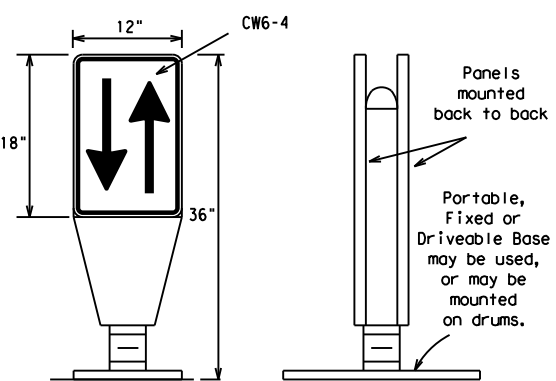
DRIVEABLE



PORTABLE

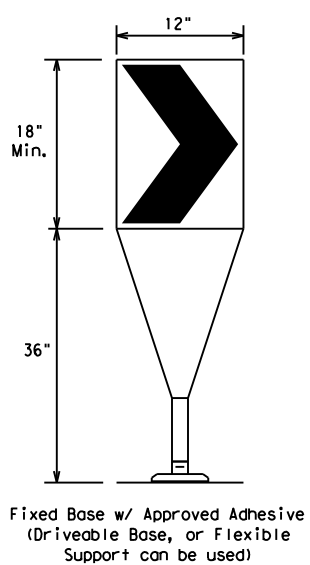
VERTICAL PANELS (VPs)

1. Vertical Panels (VP's) are normally used to channelize traffic or divide opposing lanes of traffic.
2. VP's may be used in daytime or nighttime situations. They may be used at the edge of shoulder drop-offs and other areas such as lane transitions where positive daytime and nighttime delineation is required. The Engineer/Inspector shall refer to the Roadway Design Manual for additional requirements on the use VP's for drop-offs.
3. VP's should be mounted back to back if used at the edge of cuts adjacent to two-way two lane roadways. Stripes are to be reflective orange and reflective white and should always slope downward toward the travel lane.
4. VP's used on expressways and freeways or other high speed roadways, may have more than 270 square inches of retroreflective area facing traffic.
5. Self-righting supports are available with portable base. See "Compliant Work Zone Traffic Control Devices List" (CWZTCD).
6. Sheeting for the VP's shall be retroreflective Type A or Type B conforming to Departmental Material Specification DMS-8300, unless noted otherwise.
7. Where the height of reflective material on the vertical panel is 36 inches or greater, a panel stripe of 6 inches shall be used.



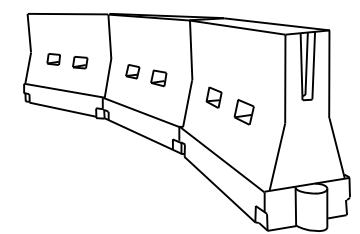
OPPOSING TRAFFIC LANE DIVIDERS (OTLD)

1. Opposing Traffic Lane Dividers (OTLD) are delineation devices designed to convert a normal one-way roadway section to two-way operation. OTLD's are used on temporary centerlines. The upward and downward arrows on the sign's face indicate the direction of traffic on either side of the divider. The base is secured to the pavement with an adhesive or rubber weight to minimize movement caused by a vehicle impact or wind gust.
2. The OTLD may be used in combination with 42" cones or VPs.
3. Spacing between the OTLD shall not exceed 500 feet. 42" cones or VPs placed between the OTLD's should not exceed 100 foot spacing.
4. The OTLD shall be orange with a black non-reflective legend. Sheeting for the OTLD shall be retroreflective Type B_{FL} or Type C_{FL} conforming to Departmental Material Specification DMS-8300, unless noted otherwise. The legend shall meet the requirements of DMS-8300.



1. The chevron shall be a vertical rectangle with a minimum size of 12 by 18 inches.
2. Chevrons are intended to give notice of a sharp change of alignment with the direction of travel and provide additional emphasis and guidance for vehicle operators with regard to changes in horizontal alignment of the roadway.
3. Chevrons, when used, shall be erected on the outside of a sharp curve or turn, or on the far side of an intersection. They shall be in line with and at right angles to approaching traffic. Spacing should be such that the motorist always has three in view, until the change in alignment eliminates its need.
4. To be effective, the chevron should be visible for at least 500 feet.
5. Chevrons shall be orange with a black nonreflective legend. Sheeting for the chevron shall be retroreflective Type B_{FL} or Type C_{FL} conforming to Departmental Material Specification DMS-8300, unless noted otherwise. The legend shall meet the requirements of DMS-8300.
6. For Long Term Stationary use on tapers or transitions on freeways and divided highways, self-righting chevrons may be used to supplement plastic drums but not to replace plastic drums.

CHEVRONS



LONGITUDINAL CHANNELIZING DEVICES (LCD)

1. LCDs are crashworthy, lightweight, deformable devices that are highly visible, have good target value and can be connected together. They are not designed to contain or redirect a vehicle on impact.
2. LCDs may be used instead of a line of cones or drums.
3. LCDs shall be placed in accordance to application and installation requirements specific to the device, and used only when shown on the CWZTCD list.
4. LCDs should not be used to provide positive protection for obstacles, pedestrians or workers.
5. LCDs shall be supplemented with retroreflective delineation as required for temporary barriers on BC(7) when placed roughly parallel to the travel lanes.
6. LCDs used as barricades placed perpendicular to traffic should have at least one row of reflective sheeting meeting the requirements for barricade rails as shown on BC(10). Place reflective sheeting near the top of the LCD along the full length of the device.

WATER BALLASTED SYSTEMS USED AS BARRIERS

1. Water ballasted systems used as barriers shall not be used solely to channelize road users, but also to protect the work space per the appropriate Manual for Assessing Safety Hardware (MASH) crashworthiness requirements based on roadway speed and barrier application.
2. Water ballasted systems used to channelize vehicular traffic shall be supplemented with retroreflective delineation or channelizing devices to improve daytime/nighttime visibility. They may also be supplemented with pavement markings.
3. Water ballasted systems used as barriers shall be placed in accordance to application and installation requirements specific to the device, and used only when shown on the CWZTCD list.
4. Water ballasted systems used as barriers should not be used for a merging taper except in low speed (less than 45 MPH) urban areas. When used on a taper in a low speed urban area, the taper shall be delineated and the taper length should be designed to optimize road user operations considering the available geometric conditions.
5. When water ballasted systems used as barriers have blunt ends exposed to traffic, they should be attenuated as per manufacturer recommendations or flared to a point outside the clear zone.

If used to channelize pedestrians, longitudinal channelizing devices or water ballasted systems must have a continuous detectable bottom for users of long canes and the top of the unit shall not be less than 32 inches in height.

HOLLOW OR WATER BALLASTED SYSTEMS USED AS LONGITUDINAL CHANNELIZING DEVICES OR BARRIERS

GENERAL NOTES

1. Work Zone channelizing devices illustrated on this sheet may be installed in close proximity to traffic and are suitable for use on high or low speed roadways. The Engineer/Inspector shall ensure that spacing and placement is uniform and in accordance with the "Texas Manual on Uniform Traffic Control Devices" (TMUTCD).
2. Channelizing devices shown on this sheet may have a driveable, fixed or portable base. The requirement for self-righting channelizing devices must be specified in the General Notes or other plan sheets.
3. Channelizing devices on self-righting supports should be used in work zone areas where channelizing devices are frequently impacted by errant vehicles or vehicle related wind gusts making alignment of the channelizing devices difficult to maintain. Locations of these devices shall be detailed elsewhere in the plans. These devices shall conform to the TMUTCD and the "Compliant Work Zone Traffic Control Devices List" (CWZTCD).
4. The Contractor shall maintain devices in a clean condition and replace damaged, nonreflective, faded, or broken devices and bases as required by the Engineer/Inspector. The Contractor shall be required to maintain proper device spacing and alignment.
5. Portable bases shall be fabricated from virgin and/or recycled rubber. The portable bases shall weigh a minimum of 30 lbs.
6. Pavement surfaces shall be prepared in a manner that ensures proper bonding between the adhesives, the fixed mount bases and the pavement surface. Adhesives shall be prepared and applied according to the manufacturer's recommendations.
7. The installation and removal of channelizing devices shall not cause detrimental effects to the final pavement surfaces, including pavement surface discoloration or surface integrity. Driveable bases shall not be permitted on final pavement surfaces. The Engineer/Inspector shall approve all application and removal procedures of fixed bases.

| Posted Speed | Formula | Minimum Desirable Taper Lengths * * | | | Suggested Maximum Spacing of Channelizing Devices | |
|--------------|--------------------------|-------------------------------------|------------|------------|---|--------------|
| | | 10' Offset | 11' Offset | 12' Offset | On a Taper | On a Tangent |
| 30 | L = WS ² / 60 | 150' | 165' | 180' | 30' | 60' |
| 35 | | 205' | 225' | 245' | 35' | 70' |
| 40 | | 265' | 295' | 320' | 40' | 80' |
| 45 | L = WS | 450' | 495' | 540' | 45' | 90' |
| 50 | | 500' | 550' | 600' | 50' | 100' |
| 55 | | 550' | 605' | 660' | 55' | 110' |
| 60 | | 600' | 660' | 720' | 60' | 120' |
| 65 | | 650' | 715' | 780' | 65' | 130' |
| 70 | | 700' | 770' | 840' | 70' | 140' |
| 75 | | 750' | 825' | 900' | 75' | 150' |
| 80 | | 800' | 880' | 960' | 80' | 160' |

* * * Taper lengths have been rounded off.
 L=Length of Taper (FT.) W=Width of Offset (FT.)
 S=Posted Speed (MPH)

SUGGESTED MAXIMUM SPACING OF CHANNELIZING DEVICES AND MINIMUM DESIRABLE TAPER LENGTHS

SHEET 9 OF 12



BARRICADE AND CONSTRUCTION CHANNELIZING DEVICES

BC (9) - 21

| | | | | | | | | | |
|-----------|---------------|------|--------|-----------|---------|-----|-------|-----|-------|
| FILE: | bc-21.dgn | DN: | TxDOT | CK: | TxDOT | DW: | TxDOT | CK: | TxDOT |
| © TxDOT | November 2002 | CONT | SECT | JOB | HIGHWAY | | | | |
| REVISIONS | 0071 | 03 | 042 | US87 | | | | | |
| 9-07 | 8-14 | DIST | COUNTY | SHEET NO. | | | | | |
| 7-13 | 5-21 | AUS | MASON | 18 | | | | | |

DISCLAIMER: The use of this standard is governed by the "Texas Engineering Practice Act". No warranty of any kind is made by TxDOT for any purpose whatsoever. TxDOT assumes no responsibility for the conversion of this standard to other formats or for incorrect results or damages resulting from its use.

TYPE 3 BARRICADES

1. Refer to the Compliant Work Zone Traffic Control Devices List (CWZTCD) for details of the Type 3 Barricades and a list of all materials used in the construction of Type 3 Barricades.
2. Type 3 Barricades shall be used at each end of construction projects closed to all traffic.
3. Barricades extending across a roadway should have stripes that slope downward in the direction toward which traffic must turn in detouring. When both right and left turns are provided, the chevron striping may slope downward in both directions from the center of the barricade. Where no turns are provided at a closed road, striping should slope downward in both directions toward the center of roadway.
4. Striping of rails, for the right side of the roadway, should slope downward to the left. For the left side of the roadway, striping should slope downward to the right.
5. Identification markings may be shown only on the back of the barricade rails. The maximum height of letters and/or company logos used for identification shall be 1".
6. Barricades shall not be placed parallel to traffic unless an adequate clear zone is provided.
7. Warning lights shall NOT be installed on barricades.
8. Where barricades require the use of weights to keep from turning over, the use of sandbags with dry, cohesionless sand is recommended. The sandbags will be tied shut to keep the sand from spilling and to maintain a constant weight. Sand bags shall not be stacked in a manner that covers any portion of a barricade rails reflective sheeting. Rock, concrete, iron, steel or other solid objects will NOT be permitted. Sandbags should weigh a minimum of 35 lbs and a maximum of 50 lbs. Sandbags shall be made of a durable material that tears upon vehicular impact. Rubber (such as tire inner tubes) shall not be used for sandbags. Sandbags shall only be placed along or upon the base supports of the device and shall not be suspended above ground level or hung with rope, wire, chains or other fasteners.
9. Sheeting for barricades shall be retroreflective Type A or Type B conforming to Departmental Material Specification DMS-8300 unless otherwise noted.

Barricades shall NOT be used as a sign support.

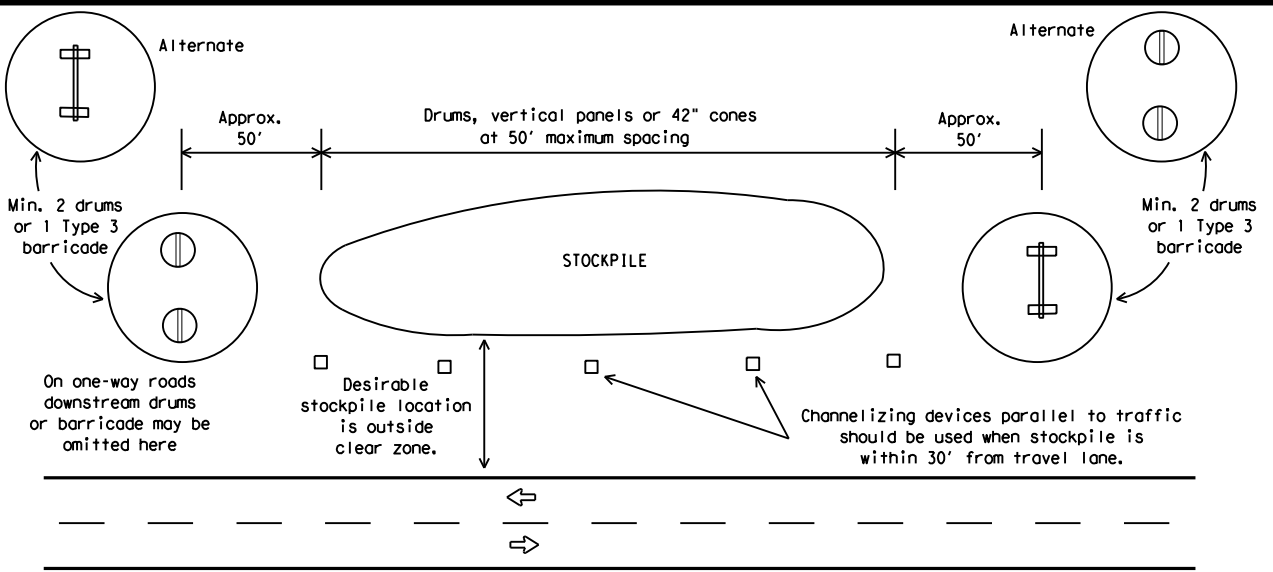


TYPICAL STRIPING DETAIL FOR BARRICADE RAIL



Stiffener may be inside or outside of support, but no more than 2 stiffeners shall be allowed on one barricade.

TYPICAL PANEL DETAIL FOR SKID OR POST TYPE BARRICADES



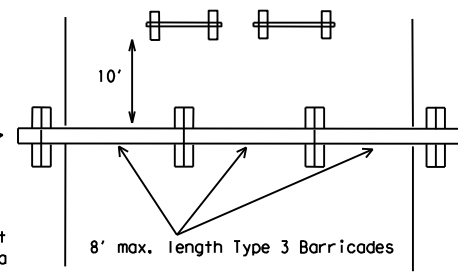
TRAFFIC CONTROL FOR MATERIAL STOCKPILES

Each roadway of a divided highway shall be barricaded in the same manner.



PERSPECTIVE VIEW

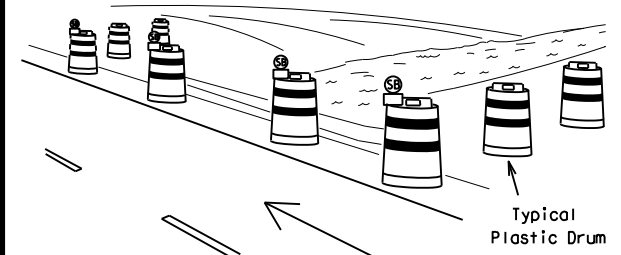
The three rails on Type 3 barricades shall be reflectorized orange and reflective white stripes on one side facing one-way traffic and both sides for two-way traffic. Barricade striping should slant downward in the direction of detour.



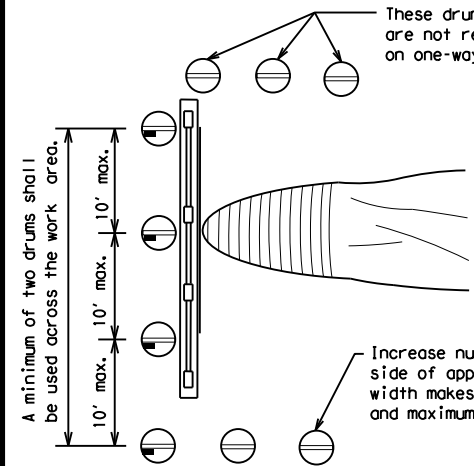
PLAN VIEW

1. Signs should be mounted on independent supports at a 7 foot mounting height in center of roadway. The signs should be a minimum of 10 feet behind Type 3 Barricades.
2. Advance signing shall be as specified elsewhere in the plans.

TYPE 3 BARRICADE (POST AND SKID) TYPICAL APPLICATION



PERSPECTIVE VIEW

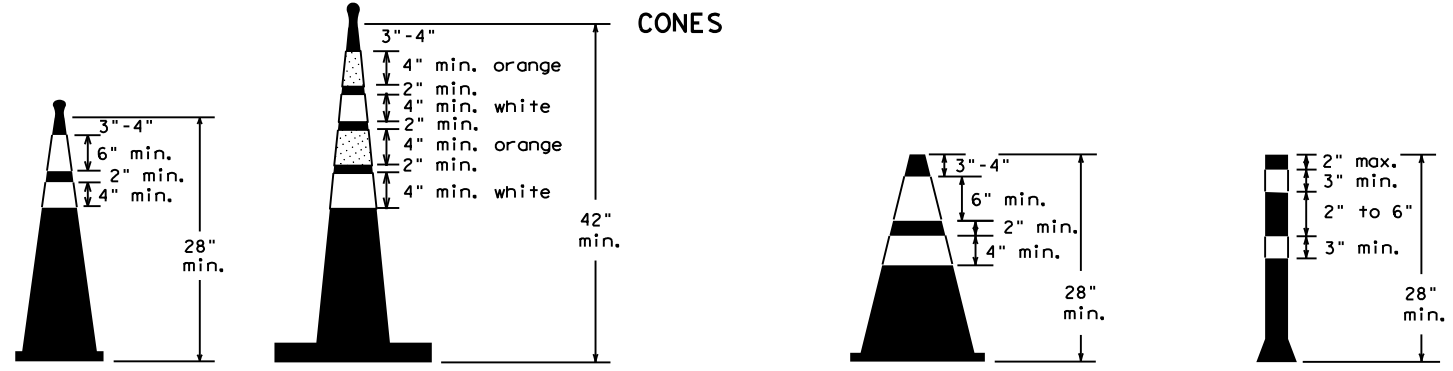


PLAN VIEW

1. Where positive redirection capability is provided, drums may be omitted.
2. Plastic construction fencing may be used with drums for safety as required in the plans.
3. Vertical Panels on flexible support may be substituted for drums when the shoulder width is less than 4 feet.
4. When the shoulder width is greater than 12 feet, steady-burn lights may be omitted if drums are used.
5. Drums must extend the length of the culvert widening.

| LEGEND | |
|--------|---|
| | Plastic drum |
| | Plastic drum with steady burn light or yellow warning reflector |
| | Steady burn warning light or yellow warning reflector |

CULVERT WIDENING OR OTHER ISOLATED WORK WITHIN THE PROJECT LIMITS



Two-Piece cones

One-Piece cones

Tubular Marker

28" Cones shall have a minimum weight of 9 1/2 lbs.
 42" 2-piece cones shall have a minimum weight of 30 lbs. including base.

1. Traffic cones and tubular markers shall be predominantly orange, and meet the height and weight requirements shown above.
2. One-piece cones have the body and base of the cone molded in one consolidated unit. Two-piece cones have a cone shaped body and a separate rubber base, or ballast, that is added to keep the device upright and in place.
3. Two-piece cones may have a handle or loop extending up to 8" above the minimum height shown, in order to aid in retrieving the device.
4. Cones or tubular markers shall have white or white and orange reflective bands as shown above. The reflective bands shall have a smooth, sealed outer surface and meet the requirements of Departmental Material Specification DMS-8300 Type A or Type B.
5. 28" cones and tubular markers are generally suitable for short duration and short-term stationary work as defined on BC(4). These should not be used for intermediate-term or long-term stationary work unless personnel is on-site to maintain them in their proper upright position.
6. 42" two-piece cones, vertical panels or drums are suitable for all work zone durations.
7. Cones or tubular markers used on each project should be of the same size and shape.



BARRICADE AND CONSTRUCTION CHANNELIZING DEVICES

BC (10) - 21

| | | | | |
|-----------------------|-----------|-----------|-----------|-----------|
| FILE: bc-21.dgn | DN: TxDOT | CK: TxDOT | OW: TxDOT | CR: TxDOT |
| © TxDOT November 2002 | CONT | SECT | JOB | HIGHWAY |
| REVISIONS | 0071 | 03 | 042 | US87 |
| 9-07 8-14 | DIST | COUNTY | SHEET NO. | |
| 7-13 5-21 | AUS | MASON | 19 | |

WORK ZONE PAVEMENT MARKINGS

GENERAL

- The Contractor shall be responsible for maintaining work zone and existing pavement markings, in accordance with the standard specifications and special provisions, on all roadways open to traffic within the CSJ limits unless otherwise stated in the plans.
- Color, patterns and dimensions shall be in conformance with the "Texas Manual on Uniform Traffic Control Devices" (TMUTCD).
- Additional supplemental pavement marking details may be found in the plans or specifications.
- Pavement markings shall be installed in accordance with the TMUTCD and as shown on the plans.
- When short term markings are required on the plans, short term markings shall conform with the TMUTCD, the plans and details as shown on the Standard Plan Sheet WZ(STPM).
- When standard pavement markings are not in place and the roadway is opened to traffic, DO NOT PASS signs shall be erected to mark the beginning of the sections where passing is prohibited and PASS WITH CARE signs at the beginning of sections where passing is permitted.
- All work zone pavement markings shall be installed in accordance with Item 662, "Work Zone Pavement Markings."

RAISED PAVEMENT MARKERS

- Raised pavement markers are to be placed according to the patterns on BC(12).
- All raised pavement markers used for work zone markings shall meet the requirements of Item 672, "RAISED PAVEMENT MARKERS" and Departmental Material Specification DMS-4200 or DMS-4300.

PREFABRICATED PAVEMENT MARKINGS

- Removable prefabricated pavement markings shall meet the requirements of DMS-8241.
- Non-removable prefabricated pavement markings (foil back) shall meet the requirements of DMS-8240.

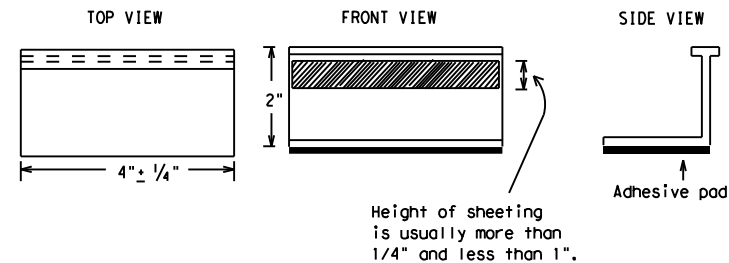
MAINTAINING WORK ZONE PAVEMENT MARKINGS

- The Contractor will be responsible for maintaining work zone pavement markings within the work limits.
- Work zone pavement markings shall be inspected in accordance with the frequency and reporting requirements of work zone traffic control device inspections as required by Form 599.
- The markings should provide a visible reference for a minimum distance of 300 feet during normal daylight hours and 160 feet when illuminated by automobile low-beam headlights at night, unless sight distance is restricted by roadway geometrics.
- Markings failing to meet this criteria within the first 30 days after placement shall be replaced at the expense of the Contractor as per Specification Item 662.

REMOVAL OF PAVEMENT MARKINGS

- Pavement markings that are no longer applicable, could create confusion or direct a motorist toward or into the closed portion of the roadway shall be removed or obliterated before the roadway is opened to traffic.
- The above shall not apply to detours in place for less than three days, where flaggers and/or sufficient channelizing devices are used in lieu of markings to outline the detour route.
- Pavement markings shall be removed to the fullest extent possible, so as not to leave a discernable marking. This shall be by any method approved by TxDOT Specification Item 677 for "Eliminating Existing Pavement Markings and Markers".
- The removal of pavement markings may require resurfacing or seal coating portions of the roadway as described in Item 677.
- Subject to the approval of the Engineer, any method that proves to be successful on a particular type pavement may be used.
- Blast cleaning may be used but will not be required unless specifically shown in the plans.
- Over-painting of the markings SHALL NOT BE permitted.
- Removal of raised pavement markers shall be as directed by the Engineer.
- Removal of existing pavement markings and markers will be paid for directly in accordance with Item 677, "ELIMINATING EXISTING PAVEMENT MARKINGS AND MARKERS," unless otherwise stated in the plans.
- Black-out marking tape may be used to cover conflicting existing markings for periods less than two weeks when approved by the Engineer.

Temporary Flexible-Reflective Roadway Marker Tabs



**STAPLES OR NAILS SHALL NOT BE USED TO SECURE
TEMPORARY FLEXIBLE-REFLECTIVE ROADWAY MARKER
TABS TO THE PAVEMENT SURFACE**

- Temporary flexible-reflective roadway marker tabs used as guidemarks shall meet the requirements of DMS-8242.
- Tabs detailed on this sheet are to be inspected and accepted by the Engineer or designated representative. Sampling and testing is not normally required, however at the option of the Engineer, either "A" or "B" below may be imposed to assure quality before placement on the roadway.
 - Select five (5) or more tabs at random from each lot or shipment and submit to the Construction Division, Materials and Pavement Section to determine specification compliance.
 - Select five (5) tabs and perform the following test. Affix five (5) tabs at 24 inch intervals on an asphaltic pavement in a straight line. Using a medium size passenger vehicle or pickup, run over the markers with the front and rear tires at a speed of 35 to 40 miles per hour, four (4) times in each direction. No more than one (1) out of the five (5) reflective surfaces shall be lost or displaced as a result of this test.
- Small design variances may be noted between tab manufacturers.
- See Standard Sheet WZ(STPM) for tab placement on new pavements. See Standard Sheet TCP(7-1) for tab placement on seal coat work.

RAISED PAVEMENT MARKERS USED AS GUIDEMARKS

- Raised pavement markers used as guidemarks shall be from the approved product list, and meet the requirements of DMS-4200.
- All temporary construction raised pavement markers provided on a project shall be of the same manufacturer.
- Adhesive for guidemarks shall be bituminous material hot applied or butyl rubber pad for all surfaces, or thermoplastic for concrete surfaces.

Guidemarks shall be designated as:
 YELLOW - (two amber reflective surfaces with yellow body).
 WHITE - (one silver reflective surface with white body).

| DEPARTMENTAL MATERIAL SPECIFICATIONS | |
|--|----------|
| PAVEMENT MARKERS (REFLECTORIZED) | DMS-4200 |
| TRAFFIC BUTTONS | DMS-4300 |
| EPOXY AND ADHESIVES | DMS-6100 |
| BITUMINOUS ADHESIVE FOR PAVEMENT MARKERS | DMS-6130 |
| PERMANENT PREFABRICATED PAVEMENT MARKINGS | DMS-8240 |
| TEMPORARY REMOVABLE, PREFABRICATED PAVEMENT MARKINGS | DMS-8241 |
| TEMPORARY FLEXIBLE, REFLECTIVE ROADWAY MARKER TABS | DMS-8242 |

A list of prequalified reflective raised pavement markers, non-reflective traffic buttons, roadway marker tabs and other pavement markings can be found at the Material Producer List web address shown on BC(1).

SHEET 11 OF 12



BARRICADE AND CONSTRUCTION PAVEMENT MARKINGS

BC(11)-21

| | | | | | | | | | |
|-----------|---------------|------|-------|------|---------|-----|-------|-----------|-------|
| FILE: | bc-21.dgn | DN: | TxDOT | CK: | TxDOT | DW: | TxDOT | CK: | TxDOT |
| © TxDOT | February 1998 | CONT | SECT | JOB | HIGHWAY | | | | |
| REVISIONS | | 0071 | 03 | 042 | US87 | | | | |
| 2-98 | 9-07 | 5-21 | | | | | | | |
| 1-02 | 7-13 | | | DIST | COUNTY | | | SHEET NO. | |
| 11-02 | 8-14 | | | AUS | MASON | | | 20 | |

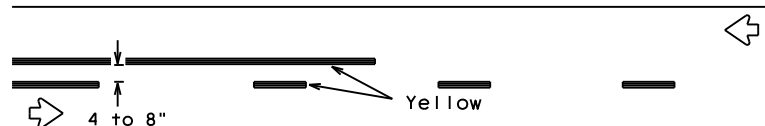
DISCLAIMER: The use of this standard is governed by the "Texas Engineering Practice Act". No warranty of any kind is made by TxDOT for any purpose whatsoever. TxDOT assumes no responsibility for the conversion of this standard to other formats or for incorrect results or damages resulting from its use.

DATE: 7/6/2021 11:18:36 AM
 FILE: I:\Design\AUS_0071-03-042_US87_OverLAY From McCullloch CL to S of Kruse Rd\4 - Design\Plan_Set\1 - General\STANDARD DONNBC-21.dgn

PAVEMENT MARKING PATTERNS

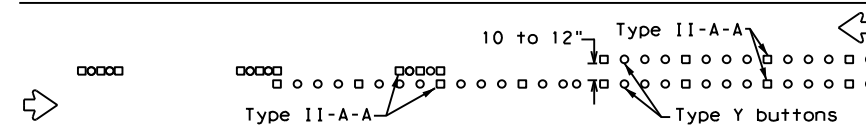


REFLECTORIZED PAVEMENT MARKINGS - PATTERN A

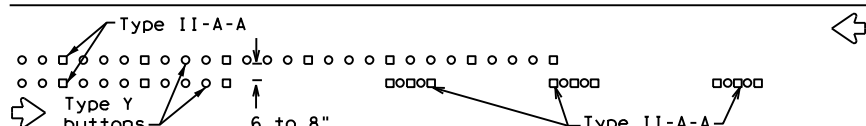


REFLECTORIZED PAVEMENT MARKINGS - PATTERN B

Pattern A is the TXDOT Standard, however Pattern B may be used if approved by the Engineer. Prefabricated markings may be substituted for reflectorized pavement markings.

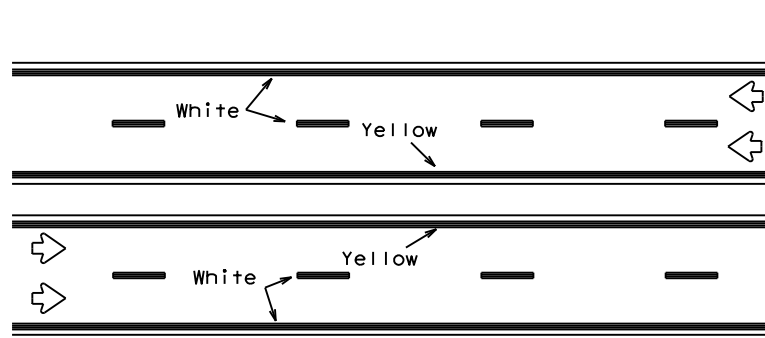


RAISED PAVEMENT MARKERS - PATTERN A



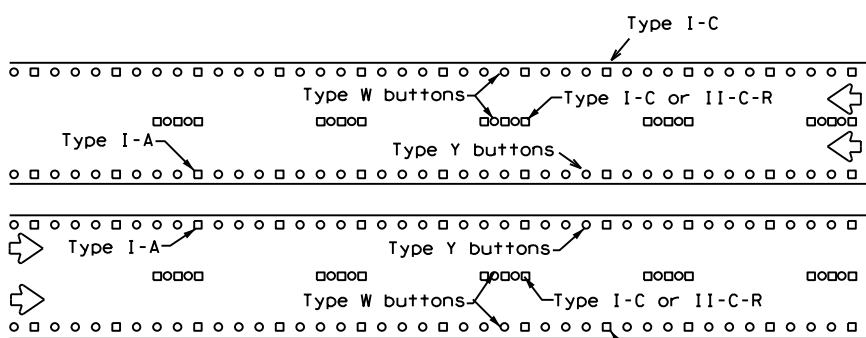
RAISED PAVEMENT MARKERS - PATTERN B

CENTER LINE & NO-PASSING ZONE BARRIER LINES FOR TWO-LANE, TWO-WAY HIGHWAYS



REFLECTORIZED PAVEMENT MARKINGS

Prefabricated markings may be substituted for reflectorized pavement markings.



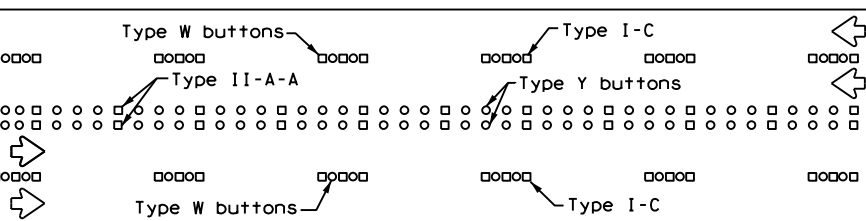
RAISED PAVEMENT MARKERS

EDGE & LANE LINES FOR DIVIDED HIGHWAY



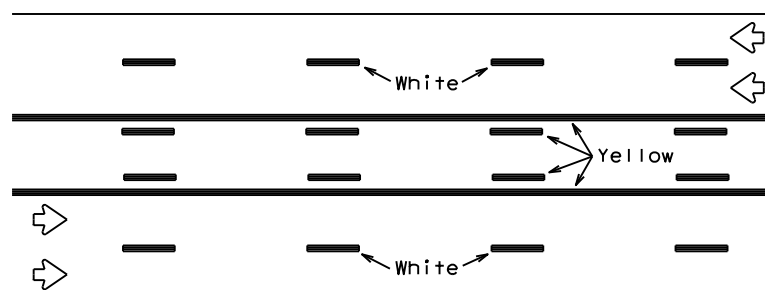
REFLECTORIZED PAVEMENT MARKINGS

Prefabricated markings may be substituted for reflectorized pavement markings.



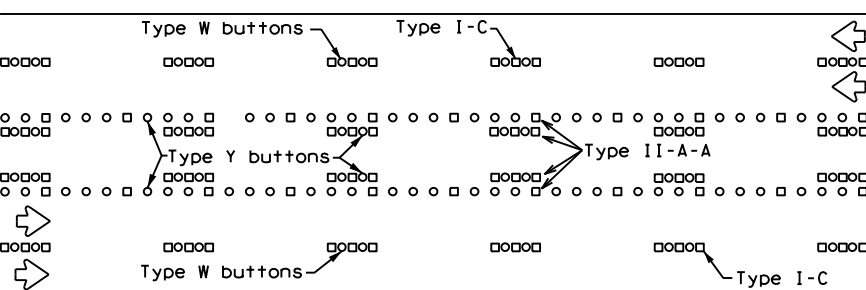
RAISED PAVEMENT MARKERS

LANE & CENTER LINES FOR MULTILANE UNDIVIDED HIGHWAYS



REFLECTORIZED PAVEMENT MARKINGS

Prefabricated markings may be substituted for reflectorized pavement markings.



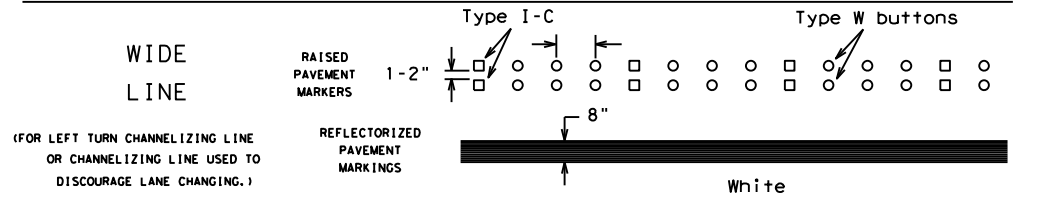
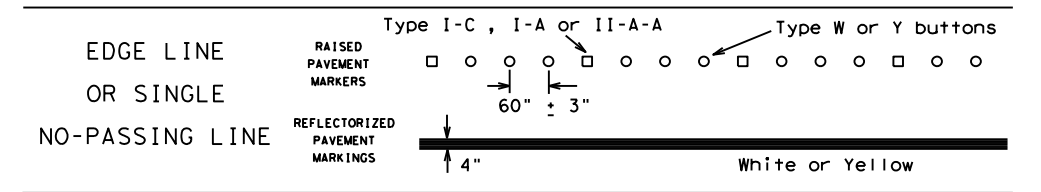
RAISED PAVEMENT MARKERS

TWO-WAY LEFT TURN LANE

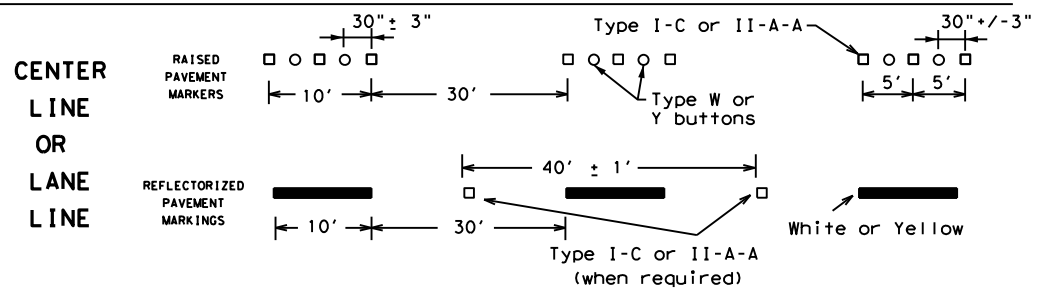
STANDARD WORK ZONE PAVEMENT MARKINGS DETAILS



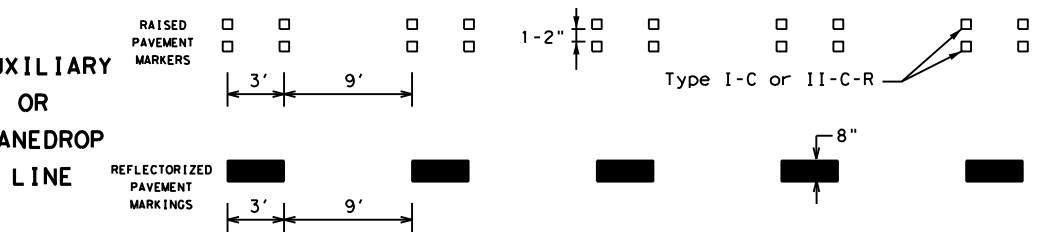
SOLID LINES



BROKEN LINES

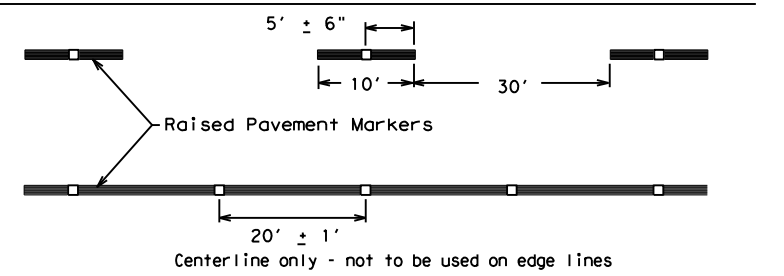


AUXILIARY OR LANEDROP LINE



REMOVABLE MARKINGS WITH RAISED PAVEMENT MARKERS

If raised pavement markers are used to supplement REMOVABLE markings, the markers shall be applied to the top of the tape at the approximate mid length of tape used for broken lines or at 20 foot spacing for solid lines. This allows an easier removal of raised pavement markers and tape.



SHEET 12 OF 12



BARRICADE AND CONSTRUCTION PAVEMENT MARKING PATTERNS

BC (12) - 21

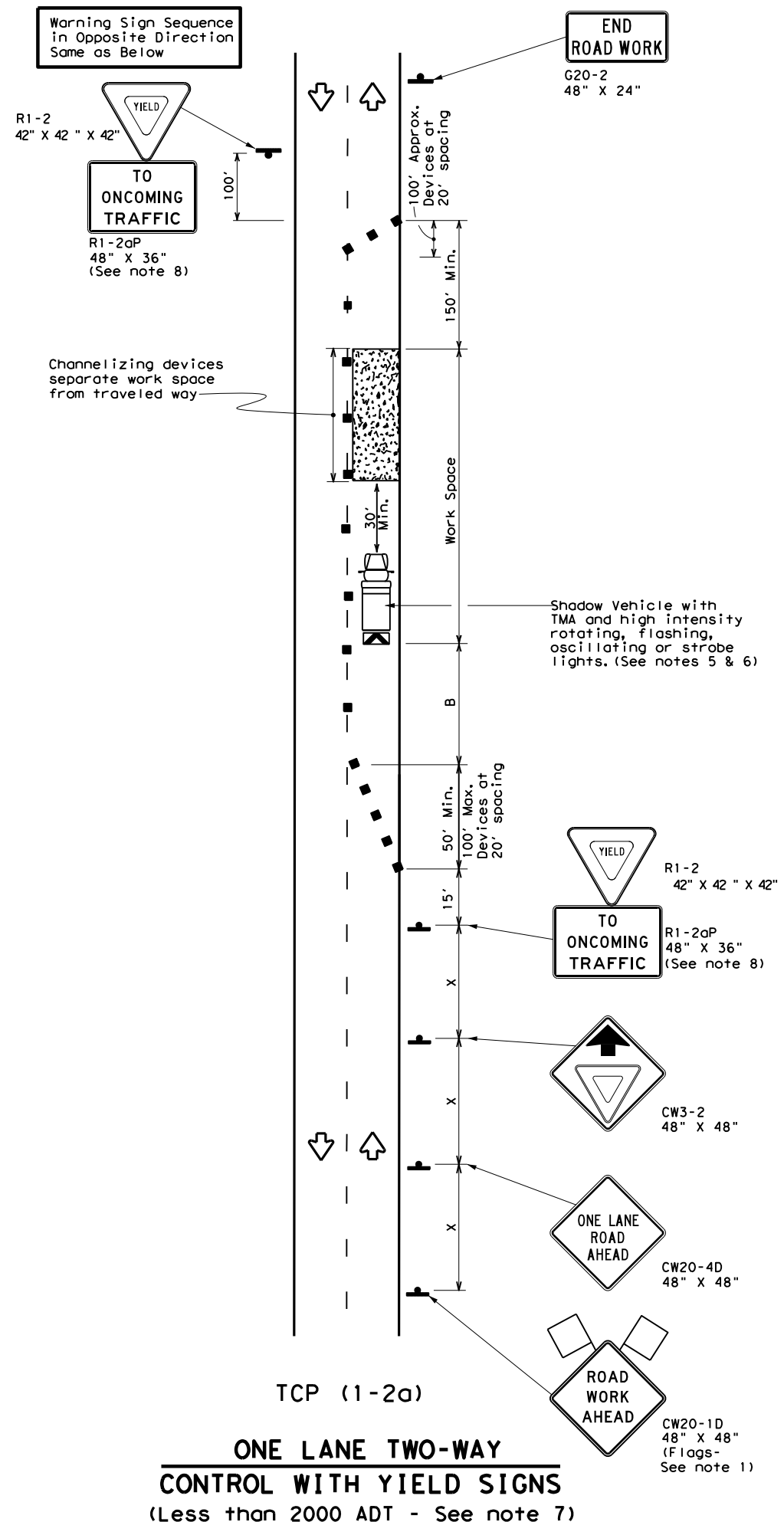
Raised pavement markers used as standard pavement markings shall be from the approved products list and meet the requirements of Item 672 "RAISED PAVEMENT MARKERS."

| | | | | |
|----------------------|-----------|-----------|-----------|-----------|
| FILE: bc-21.dgn | DN: TxDOT | CK: TxDOT | DW: TxDOT | CK: TxDOT |
| ©TxDOT February 1998 | CONT | SECT | JOB | HIGHWAY |
| REVISIONS | 0071 | 03 | 042 | US87 |
| 1-97 9-07 5-21 | DIST | COUNTY | SHEET NO. | |
| 2-98 7-13 | AUS | MASON | 21 | |
| 11-02 8-14 | | | | |

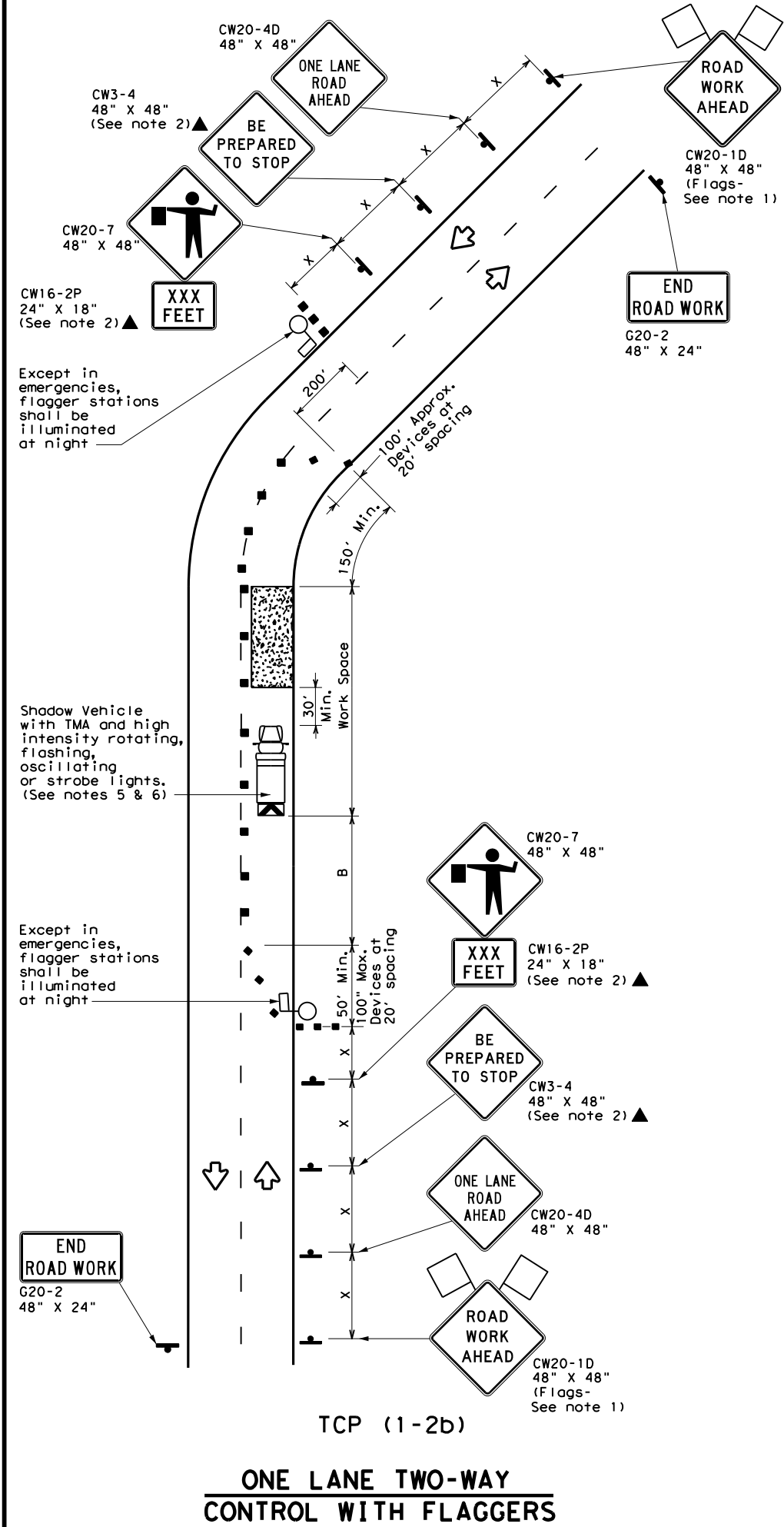
DISCLAIMER: The use of this standard is governed by the "Texas Engineering Practice Act". No warranty of any kind is made by TxDOT for any purpose whatsoever. TxDOT assumes no responsibility for the conversion of this standard to other formats or for incorrect results or damages resulting from its use.

DATE: 7/6/2021 11:18:37 AM
 FILE: I:\Design\AUS_0071-03-042_US87_Overlay from McCullloch CL to S of Kruse Rd\4 - Design\Plan_Set\1. General\STANDARD DON\BC-21.dgn

DISCLAIMER: The use of this standard is governed by the "Texas Engineering Practice Act". No warranty of any kind is made by TxDOT for any purpose whatsoever. TxDOT assumes no responsibility for the conversion of units or the use of this standard for purposes other than those intended by the original author. DATE: 7/6/2021 11:18:39 AM FILE: I:\Design\AUS_0071-03-042_US87_Overlaid From McCullloch CL to S of Kruse R12 at design\traffic\traffic control\TC1-2-18.dgn



TCP (1-2a)
ONE LANE TWO-WAY
CONTROL WITH YIELD SIGNS
 (Less than 2000 ADT - See note 7)



TCP (1-2b)
ONE LANE TWO-WAY
CONTROL WITH FLAGGERS

| LEGEND | | | |
|--------|--------------------------------------|--|---|
| | Type 3 Barricade | | Channelizing Devices |
| | Heavy Work Vehicle | | Truck Mounted Attenuator (TMA) |
| | Trailer Mounted Flashing Arrow Board | | Portable Changeable Message Sign (PCMS) |
| | Sign | | Traffic Flow |
| | Flag | | Flagger |

| Posted Speed * | Formula | Minimum Desirable Taper Lengths ** | | | Suggested Maximum Spacing of Channelizing Devices | | Minimum Sign Spacing "x" Distance | Suggested Longitudinal Buffer Space "B" | Stopping Sight Distance |
|----------------|--------------------------|------------------------------------|------------|------------|---|--------------|-----------------------------------|---|-------------------------|
| | | 10' Offset | 11' Offset | 12' Offset | On a Taper | On a Tangent | | | |
| 30 | L = WS ² / 60 | 150' | 165' | 180' | 30' | 60' | 120' | 90' | 200' |
| 35 | | 205' | 225' | 245' | 35' | 70' | 160' | 120' | 250' |
| 40 | | 265' | 295' | 320' | 40' | 80' | 240' | 155' | 305' |
| 45 | L = WS | 450' | 495' | 540' | 45' | 90' | 320' | 195' | 360' |
| 50 | | 500' | 550' | 600' | 50' | 100' | 400' | 240' | 425' |
| 55 | | 550' | 605' | 660' | 55' | 110' | 500' | 295' | 495' |
| 60 | | 600' | 660' | 720' | 60' | 120' | 600' | 350' | 570' |
| 65 | | 650' | 715' | 780' | 65' | 130' | 700' | 410' | 645' |
| 70 | | 700' | 770' | 840' | 70' | 140' | 800' | 475' | 730' |
| 75 | | 750' | 825' | 900' | 75' | 150' | 900' | 540' | 820' |

* Conventional Roads Only
 ** Taper lengths have been rounded off.
 L=Length of Taper (FT) W=Width of Offset (FT) S=Posted Speed (MPH)

| TYPICAL USAGE | | | | |
|---------------|----------------|-----------------------|------------------------------|----------------------|
| MOBILE | SHORT DURATION | SHORT TERM STATIONARY | INTERMEDIATE TERM STATIONARY | LONG TERM STATIONARY |
| | ✓ | ✓ | | |

GENERAL NOTES

- Flags attached to signs where shown are REQUIRED.
 - All traffic control devices illustrated are REQUIRED, except those denoted with the triangle symbol may be omitted when stated elsewhere in the plans, or for routine maintenance work, when approved by the Engineer.
 - The CW3-4 "BE PREPARED TO STOP" sign may be installed after the CW20-4D "ONE LANE ROAD AHEAD" sign, but proper sign spacing shall be maintained.
 - Sign spacing may be increased or an additional CW20-1D "ROAD WORK AHEAD" sign may be used if advance warning ahead of the flagger or R1-2 "YIELD" sign is less than 150 feet.
 - A Shadow Vehicle with a TMA should be used anytime it can be positioned 30 to 100 feet in advance of the area of crew exposure without adversely affecting the performance or quality of the work. If workers are no longer present but road or work conditions require the traffic control to remain in place, Type 3 Barricades or other channelizing devices may be substituted for the Shadow Vehicle and TMA.
 - Additional Shadow Vehicles with TMAs may be positioned off the paved surface, next to those shown in order to protect wider work spaces.
- TCP (1-2a)**
- R1-2 "YIELD" sign traffic control may be used on projects with approaches that have adequate sight distance. For projects in urban areas, work spaces should be no longer than one half city block. In rural areas on roadways with less than 2000 ADT, work spaces should be no longer than 400 feet.
 - R1-2 "YIELD" sign with R1-2aP "TO ONCOMING TRAFFIC" plaque shall be placed on a support at a 7 foot minimum mounting height.
- TCP (1-2b)**
- Flaggers should use two-way radios or other methods of communication to control traffic.
 - Length of work space should be based on the ability of flaggers to communicate.
 - If the work space is located near a horizontal or vertical curve, the buffer distances should be increased in order to maintain adequate stopping sight distance to the flagger and a queue of stopped vehicles (see table above).
 - Channelizing devices on the center-line may be omitted when a pilot car is leading traffic and approved by the Engineer.
 - Flaggers should use 24" STOP/SLOW paddles to control traffic. Flags should be limited to emergency situations.

Texas Department of Transportation
 Traffic Operations Division Standard

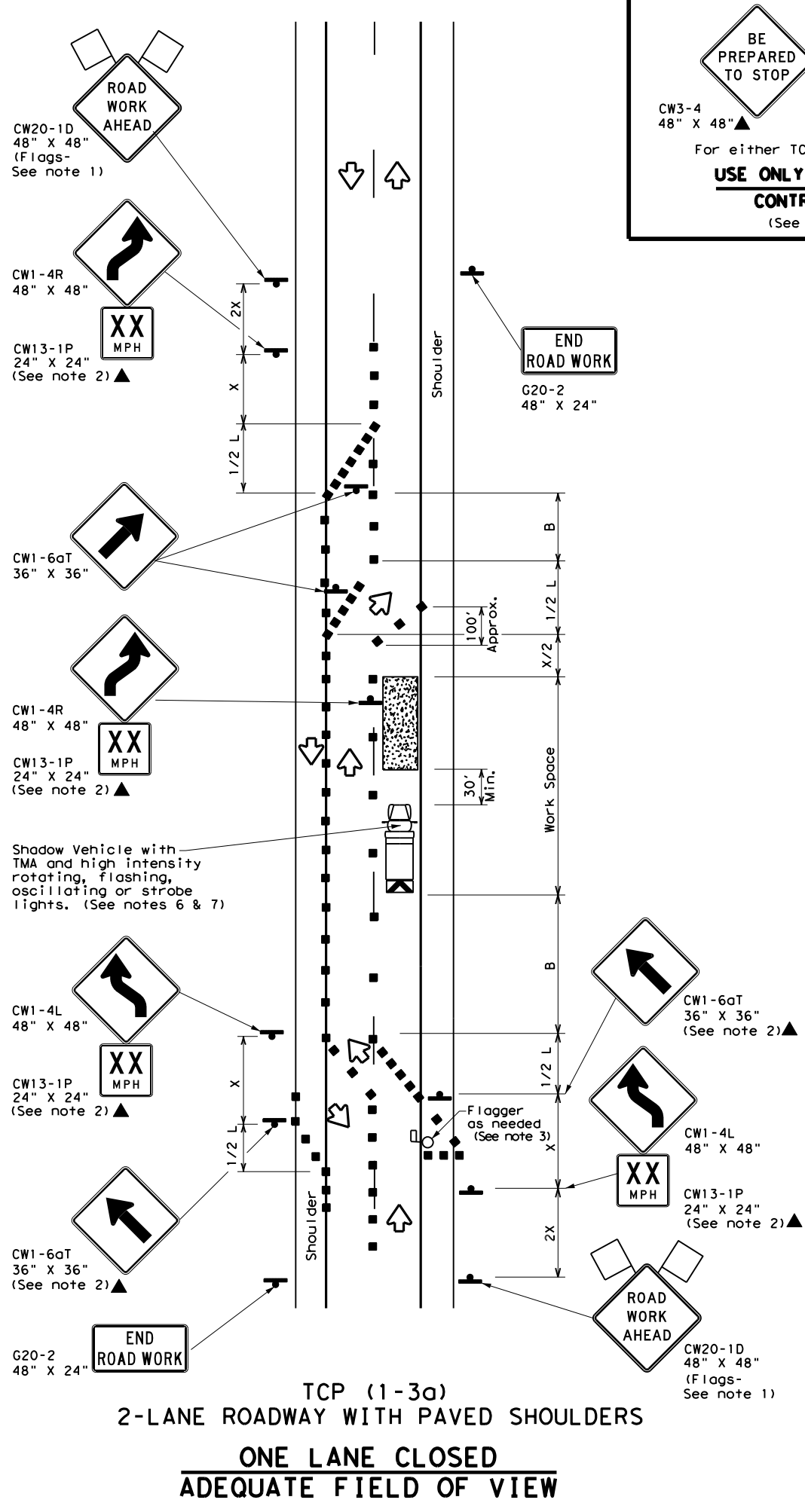
TRAFFIC CONTROL PLAN

ONE-LANE TWO-WAY TRAFFIC CONTROL

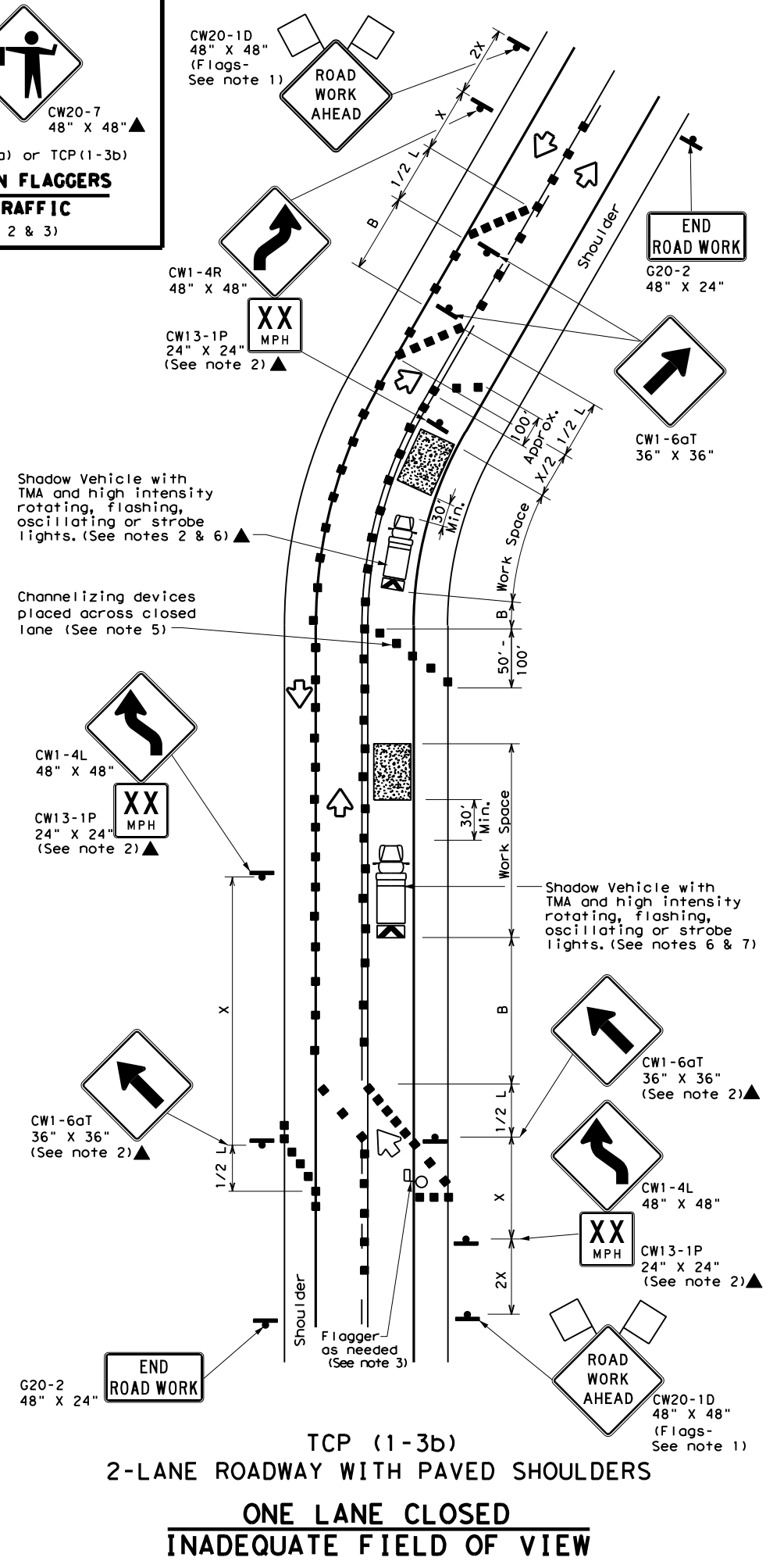
TCP (1-2) - 18

| | | | | |
|-----------------------|-------|---------|------------|----------|
| FILE: tcp1-2-18.dgn | DN: | CK: | DW: | CK: |
| © TxDOT December 1985 | CON: | SECT: | JOB: | HIGHWAY: |
| REVISIONS | 0071 | 03 | 042 | US87 |
| 4-90 4-98 | DIST: | COUNTY: | SHEET NO.: | |
| 2-94 2-12 | AUS | MASON | 22 | |
| 1-97 2-18 | | | | |

DISCLAIMER: The use of this standard is governed by the "Texas Engineering Practice Act". No warranty of any kind is made by TxDOT for any purpose whatsoever. TxDOT assumes no responsibility for the conversion of units or the use of this standard in any design or construction project. This standard is not intended to be used for any purpose other than that for which it was developed. DATE: 7/6/2021 11:18:41 AM FILE: I:\Design\AUS_0071-03-042_US87_Overlay from McCullloch CL to S of Kruse RB1a stringer for maintenance of stringer on SR 181.dgn



BE PREPARED TO STOP
CW3-4 48" X 48"▲
CW20-7 48" X 48"▲
For either TCP(1-3a) or TCP(1-3b)
USE ONLY WHEN FLAGGERS CONTROL TRAFFIC
(See Notes 2 & 3)



LEGEND

| | | | |
|--|--------------------------------------|--|---|
| | Type 3 Barricade | | Channelizing Devices |
| | Heavy Work Vehicle | | Truck Mounted Attenuator (TMA) |
| | Trailer Mounted Flashing Arrow Board | | Portable Changeable Message Sign (PCMS) |
| | Sign | | Traffic Flow |
| | Flag | | Flagger |

| Posted Speed * | Formula | Minimum Desirable Taper Lengths ** | | | Suggested Maximum Spacing of Channelizing Devices | | Minimum Sign Spacing "x" Distance | Suggested Longitudinal Buffer Space "B" |
|----------------|-------------|------------------------------------|------------|------------|---|--------------|-----------------------------------|---|
| | | 10' Offset | 11' Offset | 12' Offset | On a Taper | On a Tangent | | |
| 30 | L = WS / 60 | 150' | 165' | 180' | 30' | 60' | 120' | 90' |
| 35 | | 205' | 225' | 245' | 35' | 70' | 160' | 120' |
| 40 | | 265' | 295' | 320' | 40' | 80' | 240' | 155' |
| 45 | L = WS | 450' | 495' | 540' | 45' | 90' | 320' | 195' |
| 50 | | 500' | 550' | 600' | 50' | 100' | 400' | 240' |
| 55 | | 550' | 605' | 660' | 55' | 110' | 500' | 295' |
| 60 | | 600' | 660' | 720' | 60' | 120' | 600' | 350' |
| 65 | | 650' | 715' | 780' | 65' | 130' | 700' | 410' |
| 70 | | 700' | 770' | 840' | 70' | 140' | 800' | 475' |
| 75 | | 750' | 825' | 900' | 75' | 150' | 900' | 540' |

* Conventional Roads Only
** Taper lengths have been rounded off.
L=Length of Taper (FT) W=Width of Offset (FT) S=Posted Speed (MPH)

TYPICAL USAGE

| MOBILE | SHORT DURATION | SHORT TERM STATIONARY | INTERMEDIATE TERM STATIONARY | LONG TERM STATIONARY |
|--------|----------------|-----------------------|------------------------------|----------------------|
| | ✓ | ✓ | | |

- GENERAL NOTES**
- Flags attached to signs where shown are REQUIRED.
 - All traffic control devices illustrated are REQUIRED, except those denoted with the triangle symbol may be omitted when stated elsewhere in the plans, or for routine maintenance work, when approved by the Engineer.
 - Flagger control should NOT be used unless roadway conditions or heavy traffic volume require additional emphasis to safely control traffic. Additional flaggers may be positioned in advance of traffic queues to alert traffic to reduce speed.
 - DO NOT PASS, PASS WITH CARE and construction regulatory speed zone signs may be installed downstream of the ROAD WORK AHEAD signs.
 - When the work zone is made up of several work spaces, channelizing devices should be placed laterally across the closed lane to re-emphasize closure. Laterally placed channelizing devices should be repeated every 500 to 1000 feet in urban areas and every 1/4 to 1/2 mile in rural areas.
 - A Shadow Vehicle with a TMA should be used anytime it can be positioned 30 to 100 feet in advance of the area of crew exposure without adversely affecting the performance or quality of the work. If workers are no longer present but road or work conditions require the traffic control to remain in place, Type 3 Barricades or other channelizing devices may be substituted for the Shadow Vehicle and TMA.
 - Additional Shadow Vehicles with TMAs may be positioned off the paved surface, next to those shown in order to protect wider work spaces.
 - Where traffic is directed over a yellow centerline, channelizing devices which separate two-way traffic should be spaced on tapers at 20', or 15' if posted speed are 35 mph or slower, and for tangent sections, at 1/2S where S is the speed in mph. This tighter device spacing is intended for the area of conflicting markings not the entire work zone.

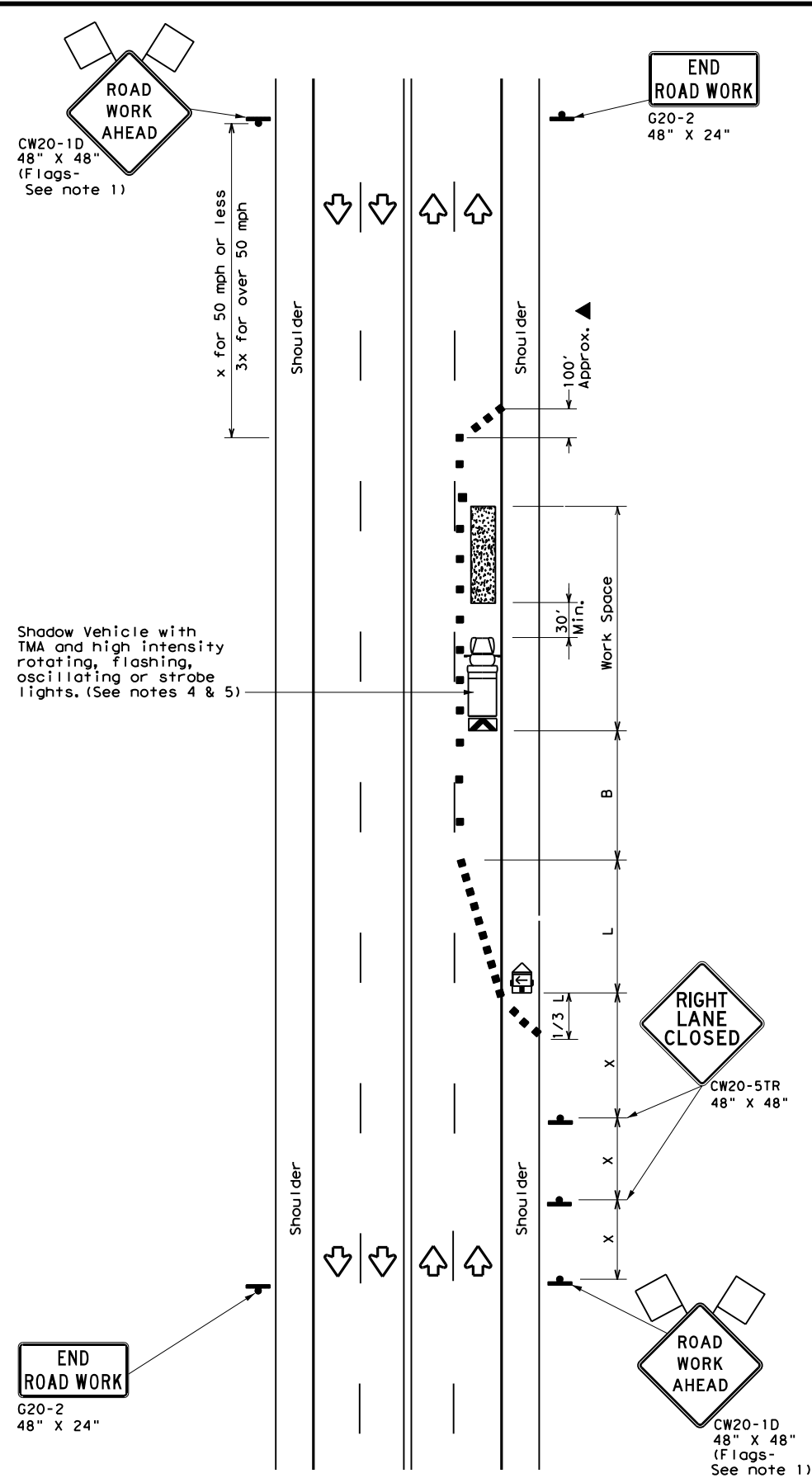
Texas Department of Transportation Traffic Operations Division Standard

TRAFFIC CONTROL PLAN
TRAFFIC SHIFTS ON
TWO LANE ROADS
TCP (1-3) - 18

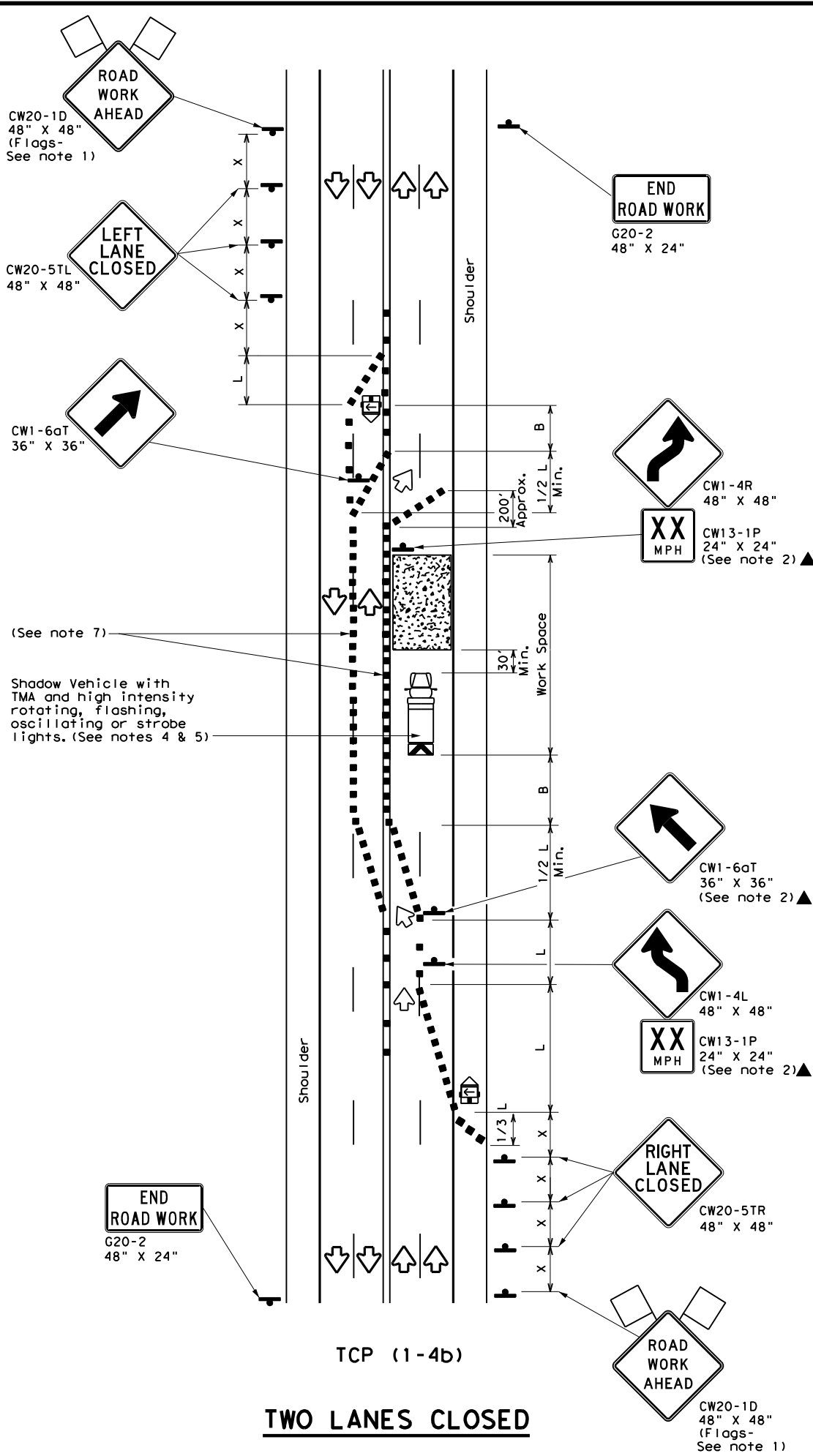
| | | | | |
|-----------------------|------|--------|-----------|---------|
| FILE: tcp1-3-18.dgn | DN: | CK: | DW: | CK: |
| © TxDOT December 1985 | CONT | SECT | JOB | HIGHWAY |
| REVISIONS | 0071 | 03 | 042 | US87 |
| 2-94 4-98 | DIST | COUNTY | SHEET NO. | |
| 8-95 2-12 | AUS | MASON | 23 | |
| 1-97 2-18 | | | | |

DISCLAIMER: The use of this standard is governed by the "Texas Engineering Practice Act". No warranty of any kind is made by TxDOT for any purpose whatsoever. TxDOT assumes no responsibility for the conversion of units or the use of this standard for purposes other than those intended by the original author.

DATE: 7/6/2021 11:18:42 AM
 FILE: T:\Design\AUS_0071-03-042_US87_Overlay From McCulloch CL to S of Kruse RB1a at 1500 ft offset.dwg



TCP (1-4a)
ONE LANE CLOSED



TCP (1-4b)
TWO LANES CLOSED

| LEGEND | | | |
|--------|--------------------------------------|--|---|
| | Type 3 Barricade | | Channelizing Devices |
| | Heavy Work Vehicle | | Truck Mounted Attenuator (TMA) |
| | Trailer Mounted Flashing Arrow Board | | Portable Changeable Message Sign (PCMS) |
| | Sign | | Traffic Flow |
| | Flag | | Flagger |

| Posted Speed * | Formula | Minimum Desirable Taper Lengths ** | | | Suggested Maximum Spacing of Channelizing Devices | | Minimum Sign Spacing "X" Distance | Suggested Longitudinal Buffer Space "B" |
|----------------|-----------------------|------------------------------------|------------|------------|---|--------------|-----------------------------------|---|
| | | 10' Offset | 11' Offset | 12' Offset | On a Taper | On a Tangent | | |
| 30 | $L = \frac{WS^2}{60}$ | 150' | 165' | 180' | 30' | 60' | 120' | 90' |
| 35 | | 205' | 225' | 245' | 35' | 70' | 160' | 120' |
| 40 | | 265' | 295' | 320' | 40' | 80' | 240' | 155' |
| 45 | $L = WS$ | 450' | 495' | 540' | 45' | 90' | 320' | 195' |
| 50 | | 500' | 550' | 600' | 50' | 100' | 400' | 240' |
| 55 | | 550' | 605' | 660' | 55' | 110' | 500' | 295' |
| 60 | | 600' | 660' | 720' | 60' | 120' | 600' | 350' |
| 65 | | 650' | 715' | 780' | 65' | 130' | 700' | 410' |
| 70 | | 700' | 770' | 840' | 70' | 140' | 800' | 475' |
| 75 | | 750' | 825' | 900' | 75' | 150' | 900' | 540' |

* Conventional Roads Only
 ** Taper lengths have been rounded off.
 L=Length of Taper (FT) W=Width of Offset (FT) S=Posted Speed (MPH)

| TYPICAL USAGE | | | | |
|---------------|----------------|-----------------------|------------------------------|----------------------|
| MOBILE | SHORT DURATION | SHORT TERM STATIONARY | INTERMEDIATE TERM STATIONARY | LONG TERM STATIONARY |
| | ✓ | ✓ | | |

- GENERAL NOTES**
- Flags attached to signs where shown are REQUIRED.
 - All traffic control devices illustrated are REQUIRED, except those denoted with the triangle symbol may be omitted when stated elsewhere in the plans, or for routine maintenance work, when approved by the Engineer.
 - The CW20-1D "ROAD WORK AHEAD" sign may be repeated if the visibility of the work zone is less than 1500 feet.
 - A Shadow Vehicle with a TMA should be used anytime it can be positioned 30 to 100 feet in advance of the area of crew exposure without adversely affecting the performance or quality of the work. If workers are no longer present but road or work conditions require the traffic control to remain in place, Type 3 Barricades or other channelizing devices may be substituted for the Shadow Vehicle and TMA.
 - Additional Shadow Vehicles with TMAs may be positioned off the paved surface, next to those shown in order to protect wider work spaces.

- TCP (1-4a)**
- If this TCP is used for a left lane closure, CW20-5TL "LEFT LANE CLOSED" signs shall be used and channelizing devices shall be placed on the centerline where needed to protect the work space from opposing traffic with the arrow panel placed in the closed lane near the end of the merging taper.
- TCP (1-4b)**
- Where traffic is directed over a yellow centerline, channelizing devices which separate two-way traffic should be spaced on tapers at 20' or 15' if posted speeds are 35 mph or slower, and for tangent sections, at 1/2S where S is the speed in mph. This tighter device spacing is intended for the areas of conflicting markings, not the entire work zone.

Texas Department of Transportation Traffic Operations Division Standard

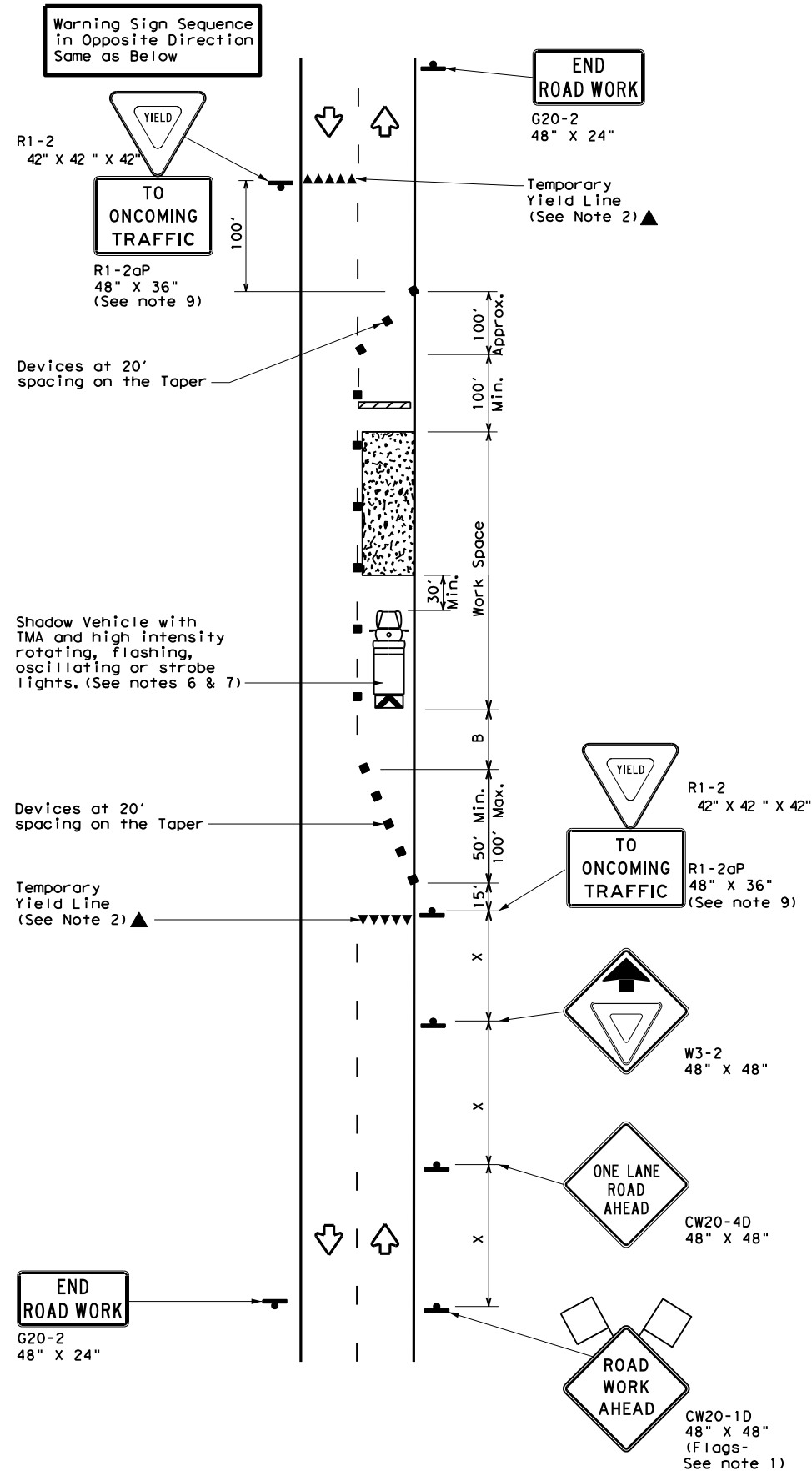
**TRAFFIC CONTROL PLAN
 LANE CLOSURES ON MULTILANE
 CONVENTIONAL ROADS**

TCP (1-4) - 18

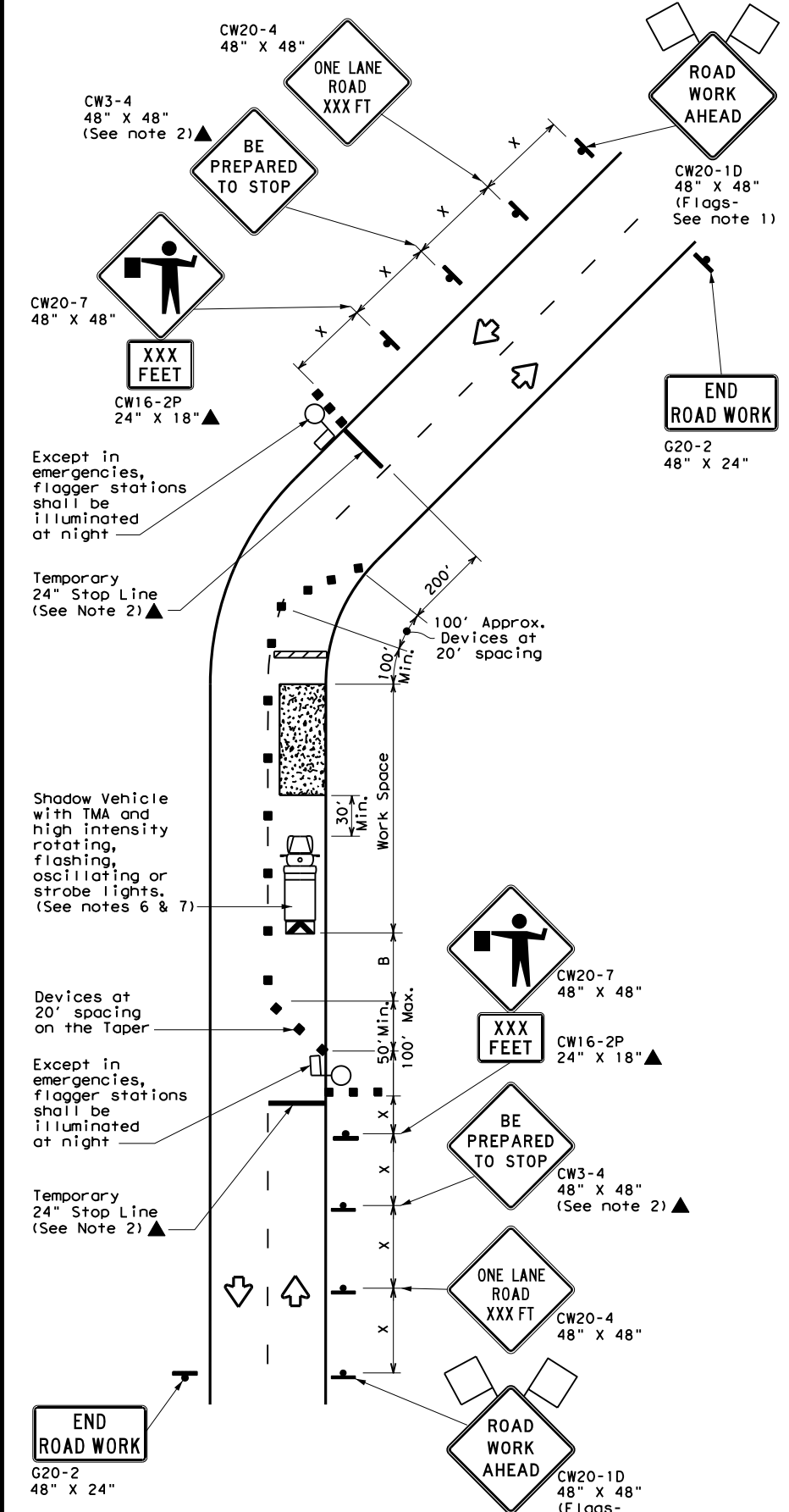
| | | | | |
|-----------------------|------|--------|-----------|---------|
| FILE: tcp1-4-18.dgn | DN: | CK: | DW: | CK: |
| © TxDOT December 1985 | CONT | SECT | JOB | HIGHWAY |
| REVISIONS | 0071 | 03 | 042 | US87 |
| 2-94 4-98 | DIST | COUNTY | SHEET NO. | |
| 8-95 2-12 | AUS | MASON | 24 | |
| 1-97 2-18 | | | | |

DISCLAIMER: The use of this standard is governed by the "Texas Engineering Practice Act". No warranty of any kind is made by TxDOT for any purpose whatsoever. TxDOT assumes no responsibility for the conversion of units or the use of this standard in any manner other than that intended by the Texas Department of Transportation.

DATE: 7/6/2021 11:18:44 AM
 FILE: T:\Design\AUS_0071-03-042 US87 Overlay From McCullloch CL to S of Kruse Rd



TCP (2-2a)
 2-LANE ROADWAY WITHOUT PAVED SHOULDERS
 ONE LANE TWO-WAY
 CONTROL WITH YIELD SIGNS
 (Less than 2000 ADT - See Note 9)



TCP (2-2b)
 2-LANE ROADWAY WITHOUT PAVED SHOULDERS
 ONE LANE TWO-WAY
 CONTROL WITH FLAGGERS

LEGEND

| | | | |
|--|--------------------------------------|--|---|
| | Type 3 Barricade | | Channelizing Devices |
| | Heavy Work Vehicle | | Truck Mounted Attenuator (TMA) |
| | Trailer Mounted Flashing Arrow Board | | Portable Changeable Message Sign (PCMS) |
| | Sign | | Traffic Flow |
| | Flag | | Flagger |

| Posted Speed * | Formula | Minimum Desirable Taper Lengths ** | | | Suggested Maximum Spacing of Channelizing Devices | | Minimum Sign Spacing "x" Distance | Suggested Longitudinal Buffer Space "B" | Stopping Sight Distance |
|----------------|--------------------------|------------------------------------|------------|------------|---|--------------|-----------------------------------|---|-------------------------|
| | | 10' Offset | 11' Offset | 12' Offset | On a Taper | On a Tangent | | | |
| 30 | L = WS ² / 60 | 150' | 165' | 180' | 30' | 60' | 120' | 90' | 200' |
| 35 | | 205' | 225' | 245' | 35' | 70' | 160' | 120' | 250' |
| 40 | | 265' | 295' | 320' | 40' | 80' | 240' | 155' | 305' |
| 45 | L = WS | 450' | 495' | 540' | 45' | 90' | 320' | 195' | 360' |
| 50 | | 500' | 550' | 600' | 50' | 100' | 400' | 240' | 425' |
| 55 | | 550' | 605' | 660' | 55' | 110' | 500' | 295' | 495' |
| 60 | | 600' | 660' | 720' | 60' | 120' | 600' | 350' | 570' |
| 65 | | 650' | 715' | 780' | 65' | 130' | 700' | 410' | 645' |
| 70 | | 700' | 770' | 840' | 70' | 140' | 800' | 475' | 730' |
| 75 | | 750' | 825' | 900' | 75' | 150' | 900' | 540' | 820' |

* Conventional Roads Only
 ** Taper lengths have been rounded off.
 L=Length of Taper (FT) W=Width of Offset (FT) S=Posted Speed (MPH)

TYPICAL USAGE

| | MOBILE | SHORT DURATION | SHORT TERM STATIONARY | INTERMEDIATE TERM STATIONARY | LONG TERM STATIONARY |
|--|--------|----------------|-----------------------|------------------------------|----------------------|
| | | ✓ | ✓ | ✓ | |

GENERAL NOTES

- Flags attached to signs where shown, are REQUIRED.
 - All traffic control devices illustrated are REQUIRED, except those denoted with the triangle symbol may be omitted when stated elsewhere in the plans, or for routine maintenance work, when approved by the Engineer.
 - The CW3-4 "BE PREPARED TO STOP" sign may be installed after the CW20-4 "ONE LANE ROAD XXX FT" sign, but proper sign spacing shall be maintained.
 - Flaggers should use two-way radios or other methods of communication to control traffic.
 - Length of work space should be based on the ability of flaggers to communicate.
 - A Shadow Vehicle with a TMA should be used anytime it can be positioned 30 to 100 feet in advance of the area of crew exposure without adversely affecting the performance or quality of the work. If workers are no longer present but road or work conditions require the traffic control to remain in place, Type 3 Barricades or other channelizing devices may be substituted for the Shadow Vehicle and TMA.
 - Additional Shadow Vehicles with TMAs may be positioned off the paved surface, next to those shown in order to protect a wider work space.
- TCP (2-2a)**
- The R1-2 "YIELD" sign traffic control may be used on projects with approaches that have adequate sight distance. For projects in urban areas, work space should be no longer than one half city block. In rural areas, roadways with less than 2000 ADT, work space should be no longer than 400 feet.
 - The R1-2aP "YIELD TO ONCOMING TRAFFIC" sign shall be placed on a support at a 7 foot minimum mounting height.
- TCP (2-2b)**
- Channelizing devices on the center line may be omitted when a pilot car is leading traffic and approved by the Engineer.
 - If the work space is located near a horizontal or vertical curve, the buffer distances should be increased in order to maintain stopping sight distance to the flagger and a queue of stopped vehicles. (See table above).
 - Flaggers should use 24" STOP/SLOW paddles to control traffic. Flags should be limited to emergency situations.

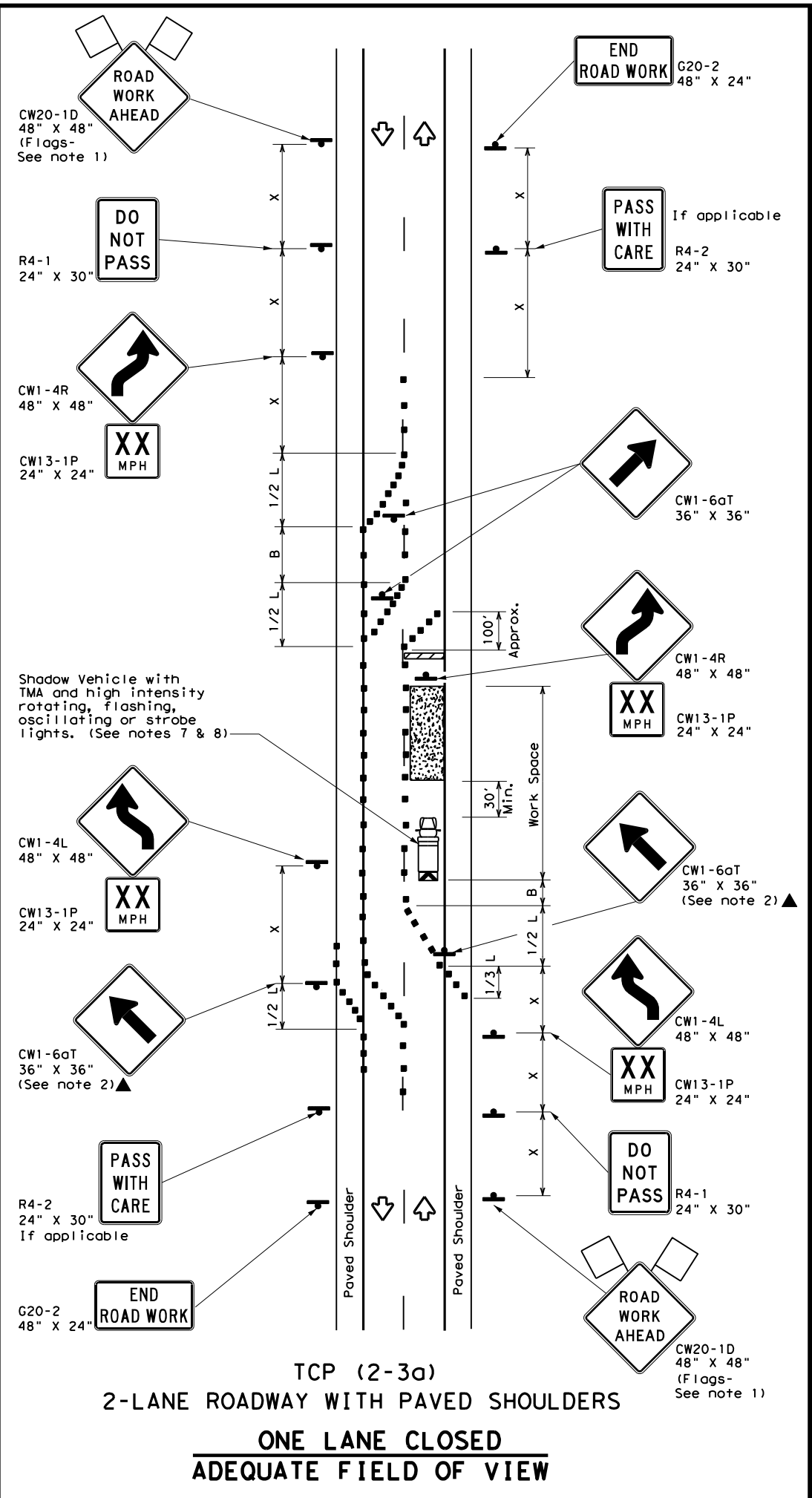
Texas Department of Transportation
 Traffic Operations Division Standard

**TRAFFIC CONTROL PLAN
 ONE-LANE TWO-WAY
 TRAFFIC CONTROL**

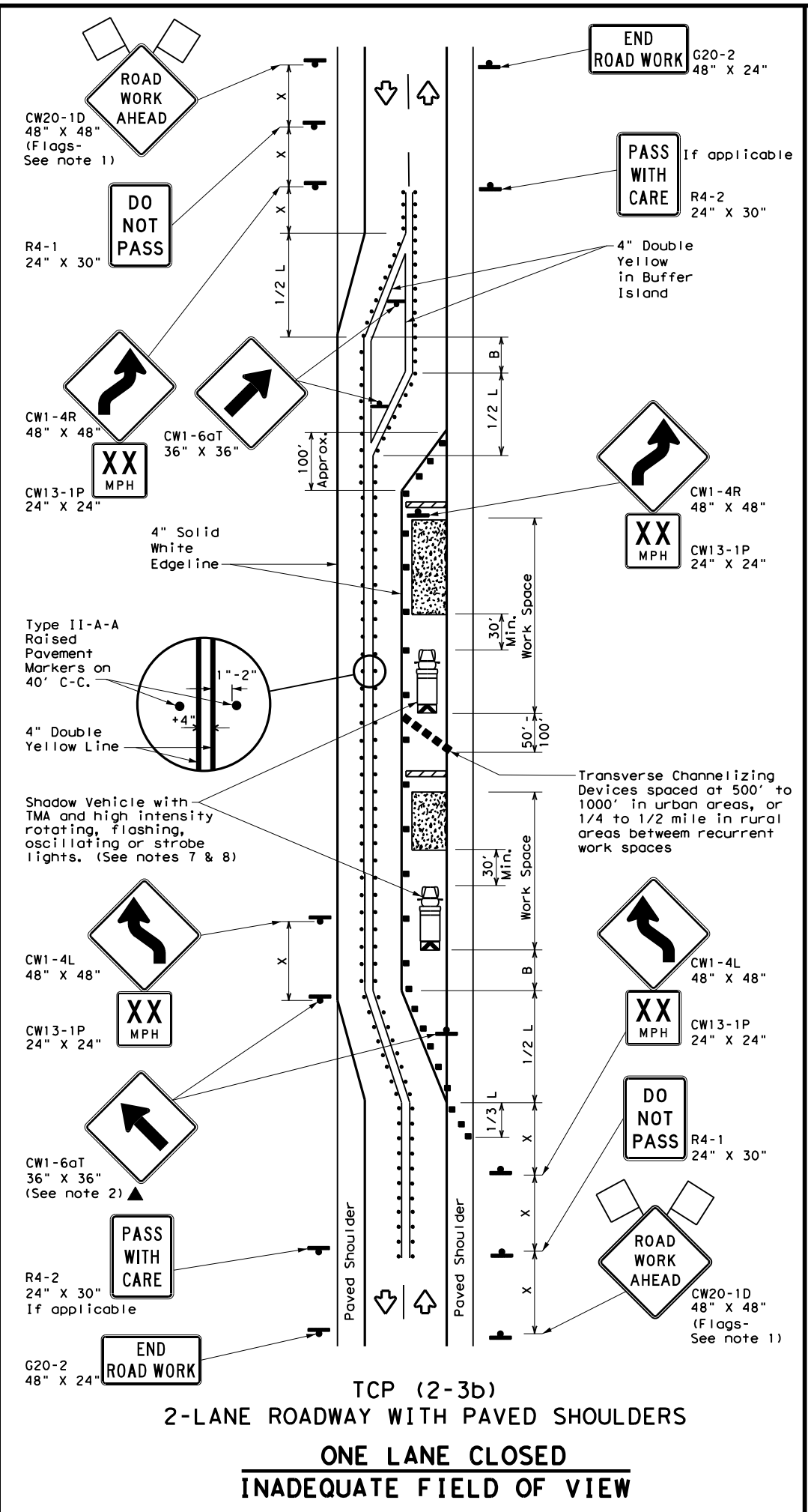
TCP (2-2) - 18

| | | | | |
|---------------------|----------|---------|-----------|---------|
| FILE: tcp2-2-18.dgn | DN: | CK: | DW: | CK: |
| © TxDOT | CONTRACT | SECTION | JOB | HIGHWAY |
| REVISIONS | 0071 | 03 | 042 | US87 |
| 8-95 3-03 | DIST | COUNTY | SHEET NO. | |
| 1-97 2-12 | AUS | MASON | 25 | |
| 4-98 2-18 | | | | |

DISCLAIMER: The use of this standard is governed by the "Texas Engineering Practice Act". No warranty of any kind is made by TxDOT for any purpose whatsoever. TxDOT assumes no responsibility for the conversion of units or the use of this standard in any design or construction project. This standard is not intended to be used for any purpose other than that for which it was developed. DATE: 7/6/2021 11:18:46 AM FILE: I:\Design\AUS_0071-03-042_US87_Overlay From McCullloch CL to S of Kruse Rd at Highway 171\Traffic Control Plan\Traffic Control Plan.dgn



TCP (2-3a)
2-LANE ROADWAY WITH PAVED SHOULDERS
ONE LANE CLOSED
ADEQUATE FIELD OF VIEW



TCP (2-3b)
2-LANE ROADWAY WITH PAVED SHOULDERS
ONE LANE CLOSED
INADEQUATE FIELD OF VIEW

LEGEND

| | | | |
|--|--------------------------------------|--|----------------------------------|
| | Type 3 Barricade | | Channelizing Devices |
| | Heavy Work Vehicle | | Truck Mounted Attenuator (TMA) |
| | Trailer Mounted Flashing Arrow Board | | Raised Pavement Markers Ty II-AA |
| | Sign | | Traffic Flow |
| | Flag | | Flagger |

| Posted Speed * X | Formula L = WS ² / 60 | Minimum Desirable Taper Lengths ** | | | Suggested Maximum Spacing of Channelizing Devices | | Minimum Sign Spacing "x" Distance | Suggested Longitudinal Buffer Space "B" |
|---------------------|-------------------------------------|------------------------------------|------------|------------|---|--------------|-----------------------------------|---|
| | | 10' Offset | 11' Offset | 12' Offset | On a Taper | On a Tangent | | |
| 30 | L = WS ² / 60 | 150' | 165' | 180' | 30' | 60' | 120' | 90' |
| 35 | | 205' | 225' | 245' | 35' | 70' | 160' | 120' |
| 40 | | 265' | 295' | 320' | 40' | 80' | 240' | 155' |
| 45 | L = WS | 450' | 495' | 540' | 45' | 90' | 320' | 195' |
| 50 | | 500' | 550' | 600' | 50' | 100' | 400' | 240' |
| 55 | | 550' | 605' | 660' | 55' | 110' | 500' | 295' |
| 60 | L = WS | 600' | 660' | 720' | 60' | 120' | 600' | 350' |
| 65 | | 650' | 715' | 780' | 65' | 130' | 700' | 410' |
| 70 | | 700' | 770' | 840' | 70' | 140' | 800' | 475' |
| 75 | L = WS | 750' | 825' | 900' | 75' | 150' | 900' | 540' |
| 75 | | 750' | 825' | 900' | 75' | 150' | 900' | 540' |

* Conventional Roads Only
 ** Taper lengths have been rounded off.
 L=Length of Taper (FT) W=Width of Offset (FT) S=Posted Speed (MPH)

TYPICAL USAGE

| MOBILE | SHORT DURATION | SHORT TERM STATIONARY | INTERMEDIATE TERM STATIONARY | LONG TERM STATIONARY |
|--------|----------------|-----------------------|------------------------------|----------------------|
| | | | ✓ | ✓ |
| | | | | TCP (2-3b) ONLY |

- GENERAL NOTES**
- Flags attached to signs where shown, are REQUIRED.
 - All traffic control devices illustrated are REQUIRED, except those denoted with the triangle symbol may be omitted when stated elsewhere in the plans, or for routine maintenance work, when approved by the Engineer.
 - When work space will be in place less than three days existing pavement markings may remain in place. Channelizing devices shall be used to separate traffic.
 - Flagger control should NOT be used unless roadway conditions or heavy traffic volume require additional emphasis to safely control traffic. Flagger should be positioned at end of traffic queue.
 - The R4-1 "DO NOT PASS," R4-2 "PASS WITH CARE" and construction regulatory speed zone signs may be installed within CW20-1D "ROAD WORK AHEAD" signs. Proper spacing of signs shall be maintained.
 - Conflicting pavement marking shall be removed for long term projects.
 - A Shadow Vehicle with a TMA should be used anytime it can be positioned 30 to 100 feet in advance of the area of crew exposure without adversely affecting the performance or quality of the work. If workers are no longer present but road or work conditions require the traffic control to remain in place, Type 3 Barricades or other channelizing devices may be substituted.
 - Additional Shadow Vehicles with TMAs may be positioned off the paved surface, next to those shown in order to protect a wider work space.
- TCP (2-3a)**
- Conflicting pavement markings shall be removed for long-term projects. For shorter durations where traffic is directed over a yellow centerline, channelizing devices which separate two-way traffic should be spaced on tapers at 20' or 15' if posted speeds are 35 mph or slower, and for tangent sections, at 1/2(S) where S is the speed in mph. This tighter device spacing is intended for the area of the conflicting markings, not the entire work zone.

Traffic Operations Division Standard

TRAFFIC CONTROL PLAN
TRAFFIC SHIFTS ON
TWO-LANE ROADS

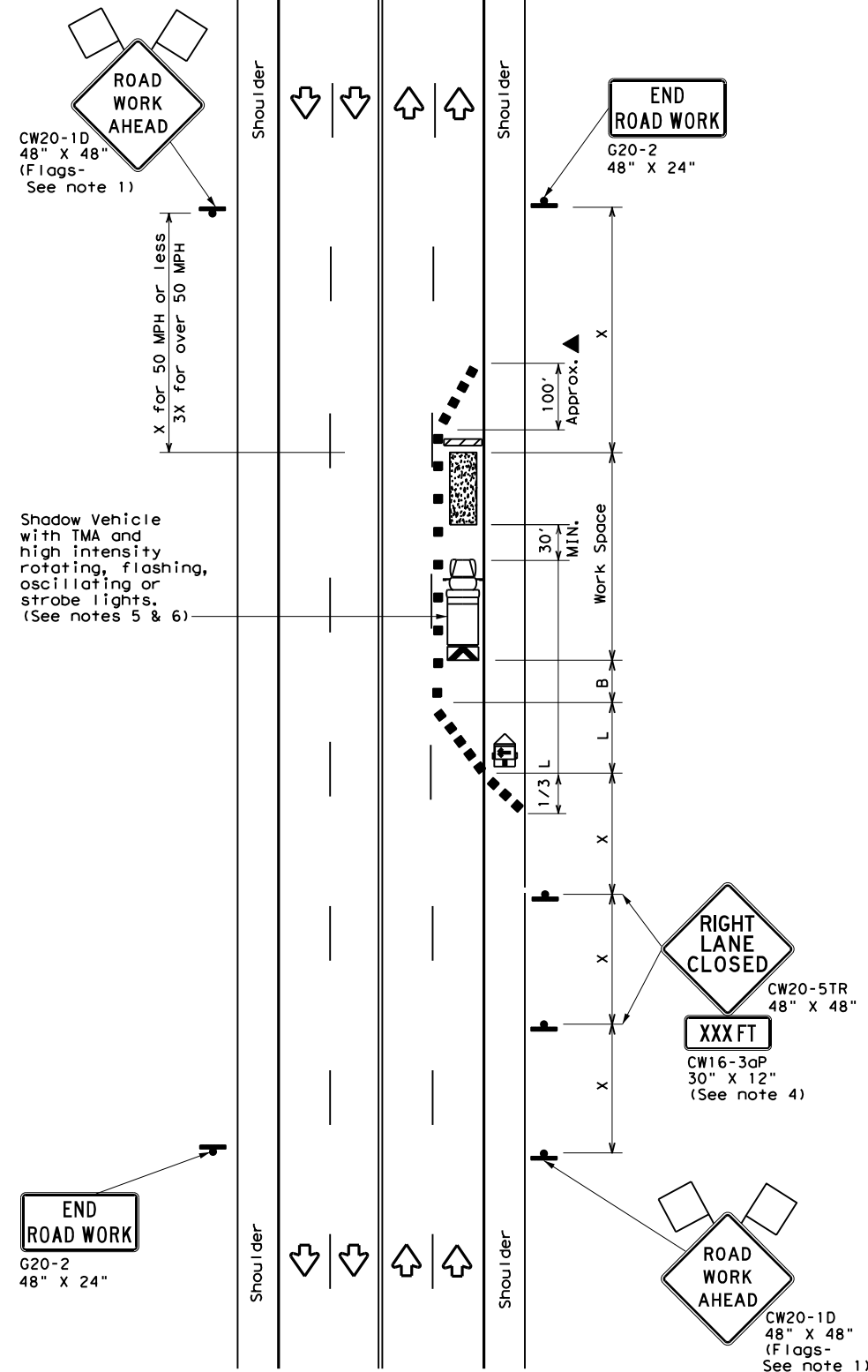
TCP (2-3) - 18

| | | | | |
|-----------------------|------|--------|-----------|---------|
| FILE: tcp(2-3)-18.dgn | DN: | CK: | DW: | CK: |
| © TxDOT December 1985 | CONT | SECT | JOB | HIGHWAY |
| REVISIONS | 0071 | 03 | 042 | US87 |
| 8-95 3-03 | DIST | COUNTY | SHEET NO. | |
| 1-97 2-12 | AUS | MASON | 26 | |
| 4-98 2-18 | | | | |

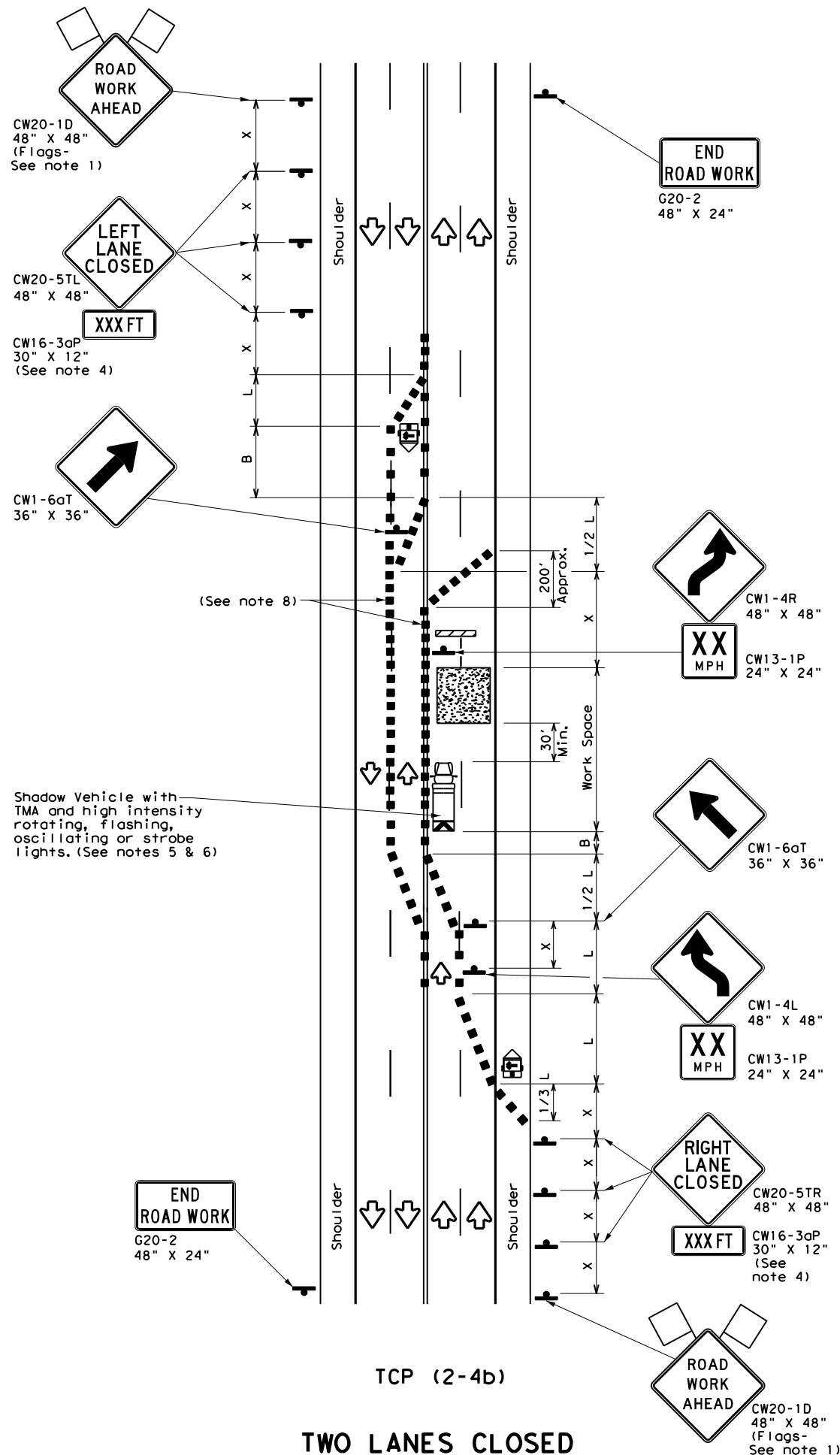
163

DISCLAIMER: The use of this standard is governed by the "Texas Engineering Practice Act". No warranty of any kind is made by TxDOT for any purpose whatsoever. TxDOT assumes no responsibility for the conversion of units or for the use of this standard on projects designed by others.

DATE: 7/6/2021 11:18:48 AM
 FILE: T:\Design\AUS_0071-03-042_US87_Overlay from McCullloch CL to S of Kruse Rd at Design for Highway EPC Standard Design for Highway EPC Standard



TCP (2-4a)
ONE LANE CLOSED



TCP (2-4b)
TWO LANES CLOSED

| LEGEND | | | |
|--------|--------------------------------------|--|---|
| | Type 3 Barricade | | Channelizing Devices |
| | Heavy Work Vehicle | | Truck Mounted Attenuator (TMA) |
| | Trailer Mounted Flashing Arrow Board | | Portable Changeable Message Sign (PCMS) |
| | Sign | | Traffic Flow |
| | Flag | | Flagger |

| Posted Speed * | Formula | Minimum Desirable Taper Lengths ** | | | Suggested Maximum Spacing of Channelizing Devices | | Minimum Sign Spacing "x" Distance | Suggested Longitudinal Buffer Space "B" |
|----------------|--------------------------|------------------------------------|------------|------------|---|--------------|-----------------------------------|---|
| | | 10' Offset | 11' Offset | 12' Offset | On a Taper | On a Tangent | | |
| 30 | L = WS ² / 60 | 150' | 165' | 180' | 30' | 60' | 120' | 90' |
| 35 | | 205' | 225' | 245' | 35' | 70' | 160' | 120' |
| 40 | | 265' | 295' | 320' | 40' | 80' | 240' | 155' |
| 45 | L = WS | 450' | 495' | 540' | 45' | 90' | 320' | 195' |
| 50 | | 500' | 550' | 600' | 50' | 100' | 400' | 240' |
| 55 | | 550' | 605' | 660' | 55' | 110' | 500' | 295' |
| 60 | | 600' | 660' | 720' | 60' | 120' | 600' | 350' |
| 65 | | 650' | 715' | 780' | 65' | 130' | 700' | 410' |
| 70 | | 700' | 770' | 840' | 70' | 140' | 800' | 475' |
| 75 | | 750' | 825' | 900' | 75' | 150' | 900' | 540' |

* Conventional Roads Only
 ** Taper lengths have been rounded off.
 L=Length of Taper (FT) W=Width of Offset (FT) S=Posted Speed (MPH)

| TYPICAL USAGE | | | | |
|---------------|----------------|-----------------------|------------------------------|----------------------|
| MOBILE | SHORT DURATION | SHORT TERM STATIONARY | INTERMEDIATE TERM STATIONARY | LONG TERM STATIONARY |
| | | ✓ | ✓ | |

GENERAL NOTES

- Flags attached to signs where shown, are REQUIRED.
- All traffic control devices illustrated are REQUIRED, except those denoted with the triangle symbol may be omitted when stated elsewhere in the plans, or for routine maintenance work, when approved by the Engineer.
- The downstream taper is optional. When used, it should be 100 feet minimum length per lane.
- For short term applications, when post mounted signs are not used, the distance legend may be shown on the sign face rather than on a CW16-3aP supplemental plaque.
- A Shadow Vehicle with a TMA should be used anytime it can be positioned 30 to 100 feet in advance of the area of crew exposure without adversely affecting the performance or quality of the work. If workers are no longer present but road or work conditions require the traffic control to remain in place, Type 3 Barricades or other channelizing devices may be substituted for the Shadow Vehicle and TMA.
- Additional Shadow Vehicles with TMAs may be positioned in each closed lane, on the shoulder or off the paved surface, next to those shown in order to protect a wider work space.

TCP (2-4a)

- If this TCP is used for a left lane closure, CW20-5TL "LEFT LANE CLOSED" signs shall be used and channelizing devices shall be placed on the centerline to protect the work space from opposing traffic with the arrow board placed in the closed lane near the end of the merging taper.

TCP (2-4b)

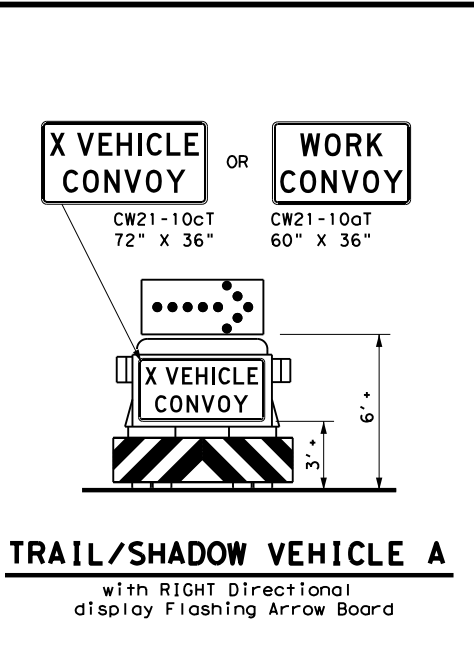
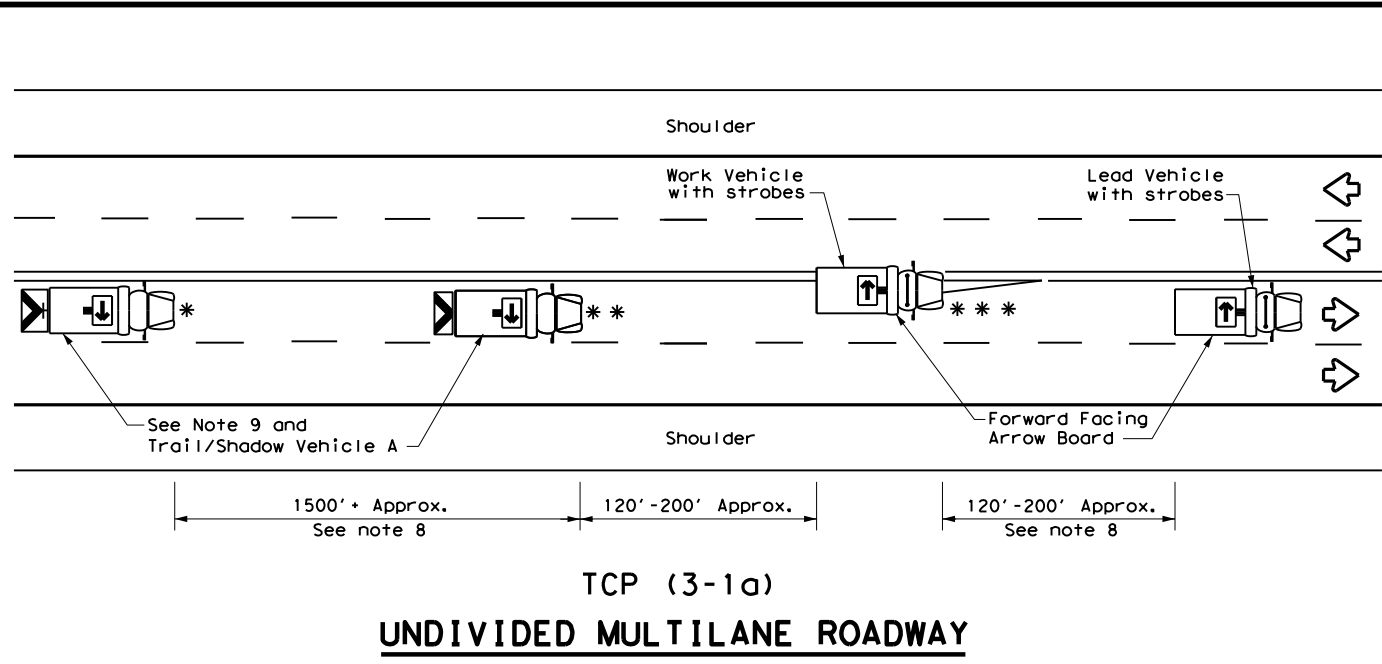
- For shorter durations where traffic is directed over a yellow centerline, channelizing devices which separate two-way traffic should be spaced on tapers at 20' or 15' if posted speeds are 35 mph or slower, and for tangent sections, at 1/2(S) where S is the speed in mph. This tighter devices spacing is intended for the area of conflicting markings, not the entire work zone.

**TRAFFIC CONTROL PLAN
 LANE CLOSURES ON MULTILANE
 CONVENTIONAL ROADS**

TCP (2-4) - 18

| | | | | |
|-----------------------|------|--------|-----------|---------|
| FILE: tcp2-4-18.dgn | DN: | CK: | DW: | CK: |
| © TxDOT December 1985 | CONT | SECT | JOB | HIGHWAY |
| REVISIONS | 0071 | 03 | 042 | US87 |
| 8-95 3-03 | DIST | COUNTY | SHEET NO. | |
| 1-97 2-12 | AUS | MASON | 27 | |
| 4-98 2-18 | | | | |

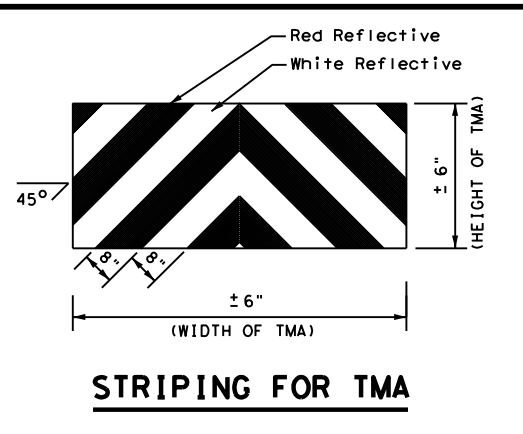
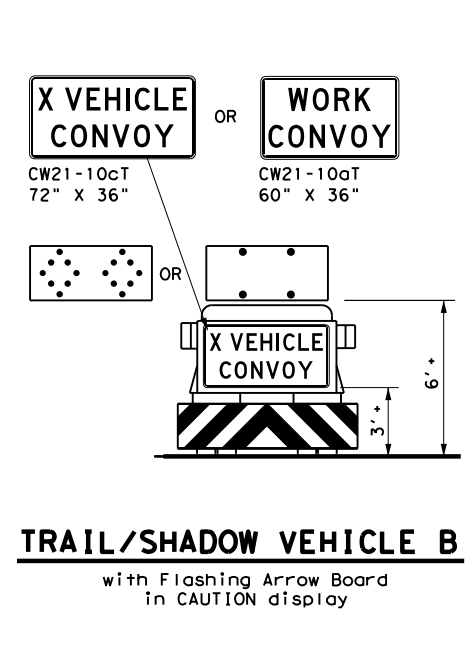
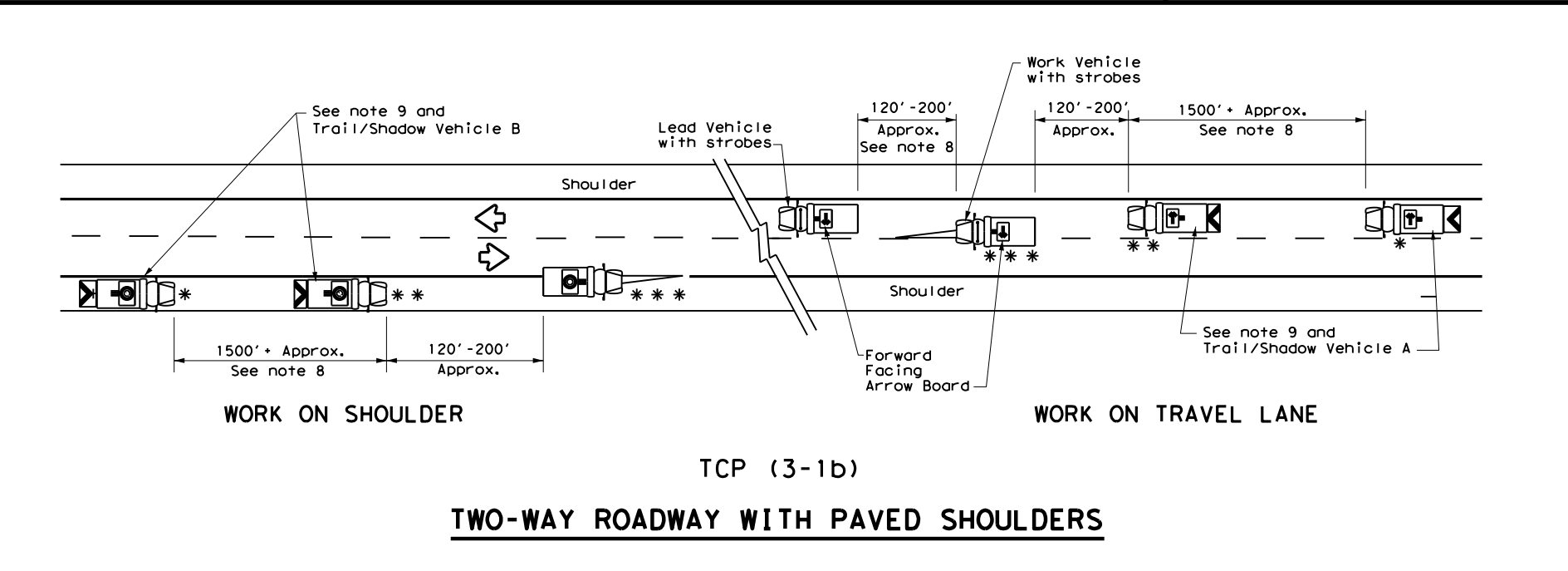
DATE: 7/6/2021 11:18:50 AM
 FILE: I:\Design\AUS_0071-03-042_US87_Overlay From McCullloch CL to S of Kruse Rd at Design for Traffic Control Plan Striping for Mobile Operations on US87
 DISCLAIMER: The use of this standard is governed by the "Texas Engineering Practice Act". No warranty of any kind is made by TxDOT for any purpose whatsoever. TxDOT assumes no responsibility for the conversion or use of this standard for purposes other than those intended by the Texas Department of Transportation.



| LEGEND | | | |
|--------|--------------------------------|---------------------|---|
| * | Trail Vehicle | ARROW BOARD DISPLAY | |
| ** | Shadow Vehicle | | |
| *** | Work Vehicle | | RIGHT Directional |
| | Heavy Work Vehicle | | LEFT Directional |
| | Truck Mounted Attenuator (TMA) | | Double Arrow |
| | Traffic Flow | | CAUTION (Alternating Diamond or 4 Corner Flash) |

| TYPICAL USAGE | | | | |
|-------------------------------------|--------------------------|--------------------------|------------------------------|--------------------------|
| MOBILE | SHORT DURATION | SHORT TERM STATIONARY | INTERMEDIATE TERM STATIONARY | LONG TERM STATIONARY |
| <input checked="" type="checkbox"/> | <input type="checkbox"/> | <input type="checkbox"/> | <input type="checkbox"/> | <input type="checkbox"/> |

- GENERAL NOTES**
- TRAIL, SHADOW, and LEAD vehicles shall be equipped with arrow boards as illustrated. When a LEAD vehicle is not used the WORK vehicle must be equipped with an arrow board. The Engineer will determine if the LEAD VEHICLE and/or TRAIL VEHICLE are required based on prevailing roadway conditions, traffic volume, and sight distance restrictions.
 - The use of amber high intensity rotating, flashing, oscillating, or strobe lights on vehicles are required. Blue high intensity rotating, flashing, oscillating or strobe lights when mounted on the driver's side of the vehicle may be operated simultaneously with the amber beacons or strobe lights.
 - The use of truck mounted attenuators (TMA) on the SHADOW VEHICLE and TRAIL VEHICLE are required.
 - Reflective sheeting on the rear of the TMA shall meet or exceed the reflectivity and color requirements of DEPARTMENTAL MATERIAL SPECIFICATION DMS 8300, Type A.
 - Flashing arrow boards shall be Type B or Type C as per the Barricade and Construction (BC) standards. The board shall be controlled from inside the vehicle.
 - Each vehicle shall have two-way radio communication capability.
 - When work convoys must change lanes, the TRAIL VEHICLE should change lanes first to shadow the other convoy vehicles.
 - Vehicle spacing between the TRAIL VEHICLE and the SHADOW VEHICLE will vary depending on sight distance restrictions. Motorists approaching the work convoy should be able to see the TRAIL VEHICLE in time to slow down and/or change lanes as they approach the TRAIL VEHICLE. Vehicle spacing between the WORK VEHICLE and SHADOW VEHICLE and vehicle spacing between WORK VEHICLE and LEAD VEHICLE may vary according to terrain, work activity and other factors.
 - "X VEHICLE CONVOY" (CW21-10cT) or "WORK CONVOY" (CW21-10aT) signs shall be used on TRAIL VEHICLES and SHADOW VEHICLES as shown. As an option 48" X 48" diamond shaped "WORK CONVOY" (CW21-10T) or "X VEHICLE CONVOY" (CW21-10bT) signs may be used where adequate mounting space exists. When used, the X VEHICLE CONVOY sign shall have the number of the convoy vehicles displayed on the sign in the number designation "X" location. The "X VEHICLE CONVOY" sign shall not be used on the SHADOW VEHICLE if a TRAIL VEHICLE is used.
 - On two-lane two-way roadways, the work and protection vehicles should pull over periodically to allow motor vehicle traffic to pass. If motorists are not allowed to pass the work convoy, a "DO NOT PASS" (R4-1) sign should be placed on the back of the rearmost protection vehicle.



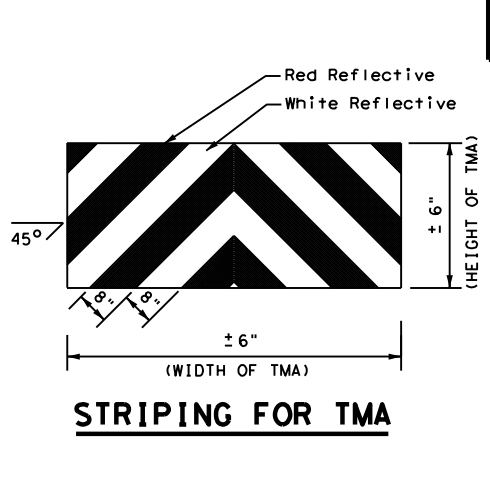
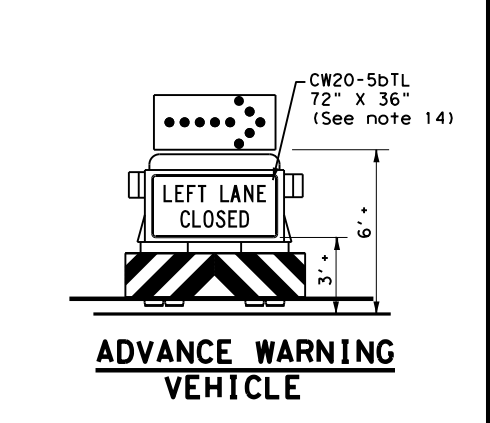
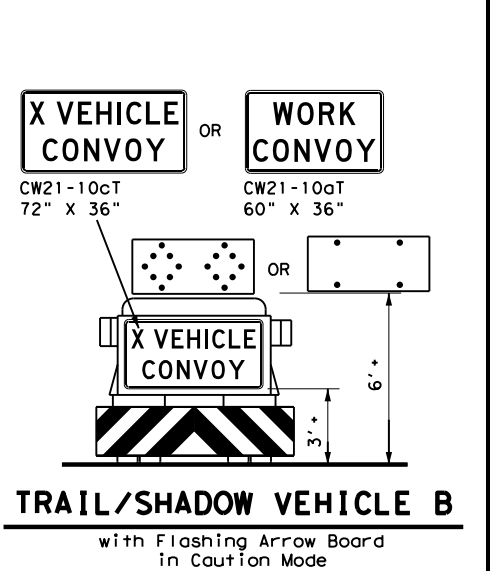
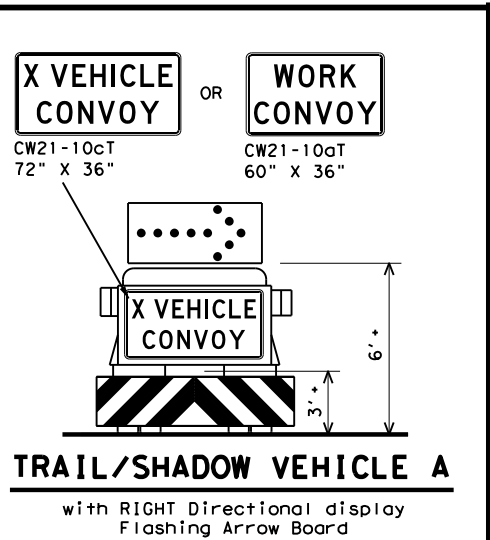
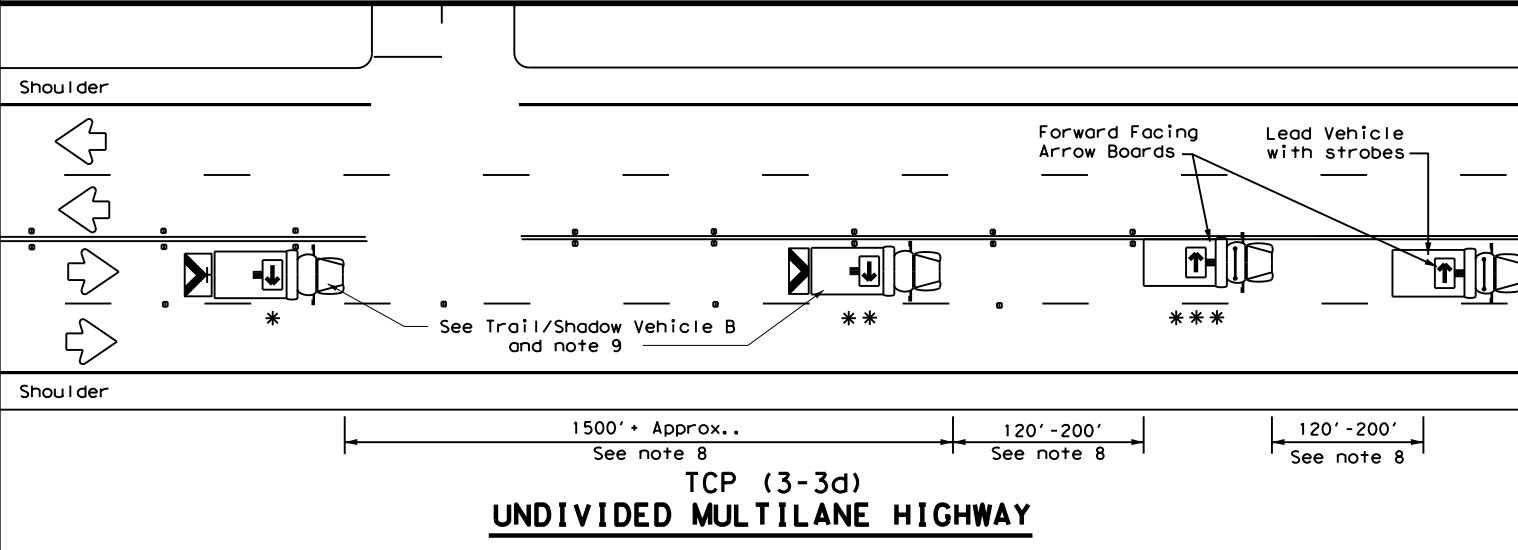
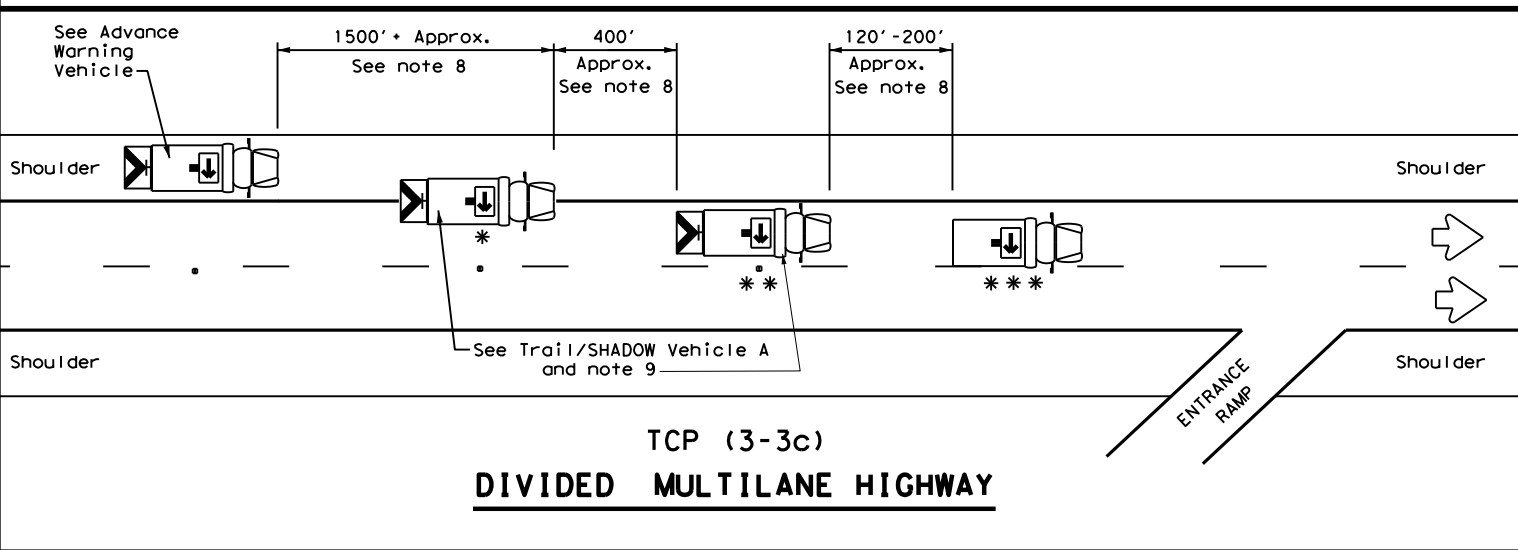
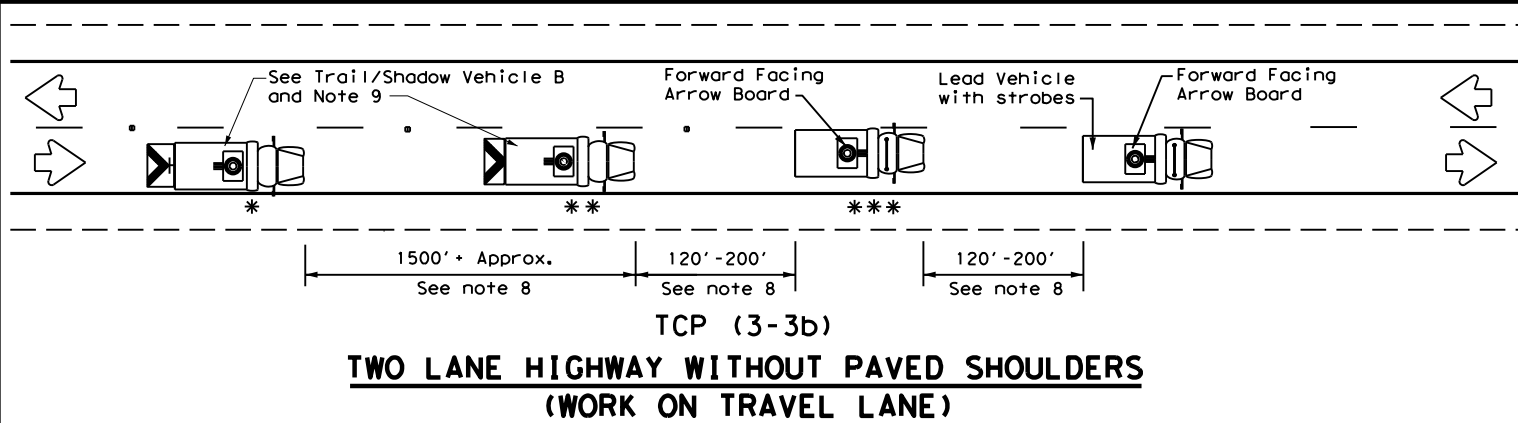
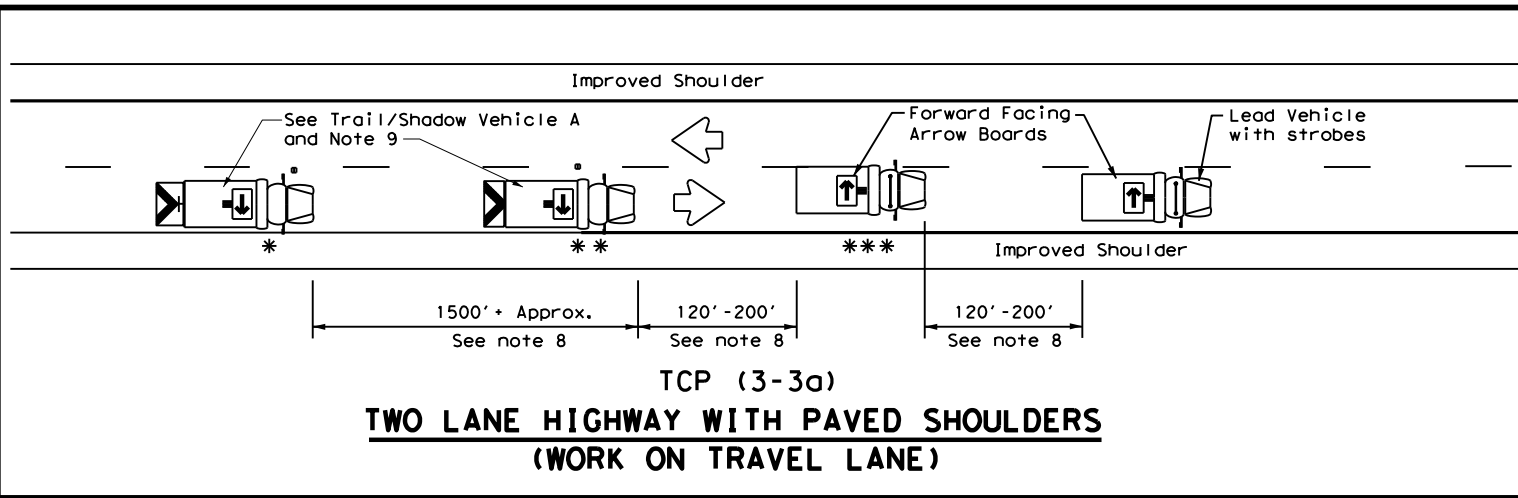
Traffic Operations Division Standard

**TRAFFIC CONTROL PLAN
MOBILE OPERATIONS
UNDIVIDED HIGHWAYS**

TCP(3-1)-13

| | | | | |
|-----------------------|-----------|-----------|-----------|-----------|
| FILE: tcp3-1.dgn | DN: TxDOT | CK: TxDOT | DW: TxDOT | CK: TxDOT |
| © TxDOT December 1985 | CONT | SECT | JOB | HIGHWAY |
| REVISIONS | 0071 | 03 | 042 | US87 |
| 2-94 4-98 | DIST | COUNTY | SHEET NO. | |
| 8-95 7-13 | AUS | MASON | 28 | |
| 1-97 | | | | |

DATE: 7/6/2021 11:18:51 AM
 FILE: I:\Design\AUS_0071-03-042 US87 Overlay From McCullloch CL to S. of Kruse Rd. at Spring Branch Rd. for the conversion of the roadway from a two-lane to a four-lane divided highway.
 The use of this standard is governed by the "Texas Engineering Practice Act". No warranty of any kind is made by TxDOT for any purpose whatsoever. TxDOT assumes no responsibility for the conversion of this standard to any other format or for any errors or omissions.



| LEGEND | | |
|--------------------------------|--|---|
| * Trail Vehicle | | ARROW BOARD DISPLAY |
| ** Shadow Vehicle | | |
| *** Work Vehicle | | RIGHT Directional |
| Heavy Work Vehicle | | LEFT Directional |
| Truck Mounted Attenuator (TMA) | | Double Arrow |
| Traffic Flow | | CAUTION (Alternating Diamond or 4 Corner Flash) |

| TYPICAL USAGE | | | | |
|---------------|----------------|-----------------------|------------------------------|----------------------|
| MOBILE | SHORT DURATION | SHORT TERM STATIONARY | INTERMEDIATE TERM STATIONARY | LONG TERM STATIONARY |
| ✓ | | | | |

GENERAL NOTES

- TRAIL, SHADOW, and LEAD vehicles shall be equipped with arrow boards as illustrated. When a LEAD vehicle is not used on two way roads the WORK vehicle must have an arrow board. For divided roadways, the arrow board on the WORK vehicle is optional based on the type of work being performed. The Engineer will determine if the LEAD vehicle and/or TRAIL vehicle are required based on prevailing roadway conditions, traffic volume, and sight distance restrictions.
- The use of amber high intensity rotating, flashing, oscillating, or strobe lights on vehicles are required. Blue high intensity rotating, flashing, oscillating, or strobe lights when mounted on the driver's side of the vehicle may be operated simultaneously with the amber beacons or strobe lights.
- The use of truck mounted attenuators (TMA) on the SHADOW VEHICLE, ADVANCE WARNING and TRAIL VEHICLE are required.
- Reflective sheeting on the rear of the TMA shall meet or exceed the reflectivity and color requirements of DEPARTMENTAL MATERIAL SPECIFICATION DMS 8300, Type A.
- Flashing arrow boards shall be Type B or Type C as per the Barricade and Construction (BC) standards. The board shall be controlled from inside the vehicle.
- Each vehicle shall have two-way radio communication capability.
- When work convoys must change lanes, the TRAIL VEHICLE should change lanes first to shadow the other convoy vehicles.
- Vehicle spacing between the TRAIL VEHICLE and the SHADOW VEHICLE will vary depending on sight distance restrictions. Motorists approaching the convoy should be able to see the TRAIL VEHICLE in time to slow down and/or change lanes as they approach the TRAIL VEHICLE. Vehicle spacing between the WORK VEHICLE and SHADOW VEHICLE and vehicle spacing between WORK VEHICLE and LEAD VEHICLE may vary according to terrain, work activity and other factors.
- X VEHICLE CONVOY (CW21-10cT) or WORK CONVOY (CW21-10aT) signs shall be used on TRAIL VEHICLES and SHADOW VEHICLES as shown. As an option 48" x 48" diamond shaped WORK CONVOY (CW21-10T) or X VEHICLE CONVOY (CW21-10bT) signs may be used where adequate mounting space exists. When used, the X VEHICLE CONVOY sign shall have the number of the convoy vehicles displayed on the sign in the number designation "X" location. The X VEHICLE CONVOY sign shall not be used on the SHADOW VEHICLE if a TRAIL VEHICLE is used.
- For divided highways with two or three lanes in one direction, the appropriate LEFT LANE CLOSED (CW20-5bTL), RIGHT LANE CLOSED (CW20-5bTR), or CENTER LANE CLOSED (CW20-5dT) sign should be used on the Advance Warning Vehicle. As an option, a portable changeable message sign (PCMS) or truck mounted changeable message sign (TMCMS) with a minimum character height of 12", and displaying the same legend may be substituted for these signs. An appropriate directional arrow display, simulating the size and legibility of the flashing arrow board may be used in the second phase of the PCMS/TMCMS message. When this is done, the arrow board will not be required on the Advance Warning Vehicle.
- A double arrow shall not be displayed on the arrow board on the Advance Warning Vehicle.
- For divided highways with three or four lanes in each direction, use TCP(3-2).
- Standard diamond shape versions of the CW20-5 series signs may be used as an option if the rectangular signs shown are not available.
- The Advance Warning Vehicle may straddle the edgeline when Shoulder width makes it necessary.
- On two-lane two-way roadways, the work and protection vehicles should pull over periodically to allow motor vehicle traffic to pass. If motorists are not allowed to pass the work convoy, a DO NOT PASS (R4-1) sign should be placed on the back of the rearmost protection vehicle.

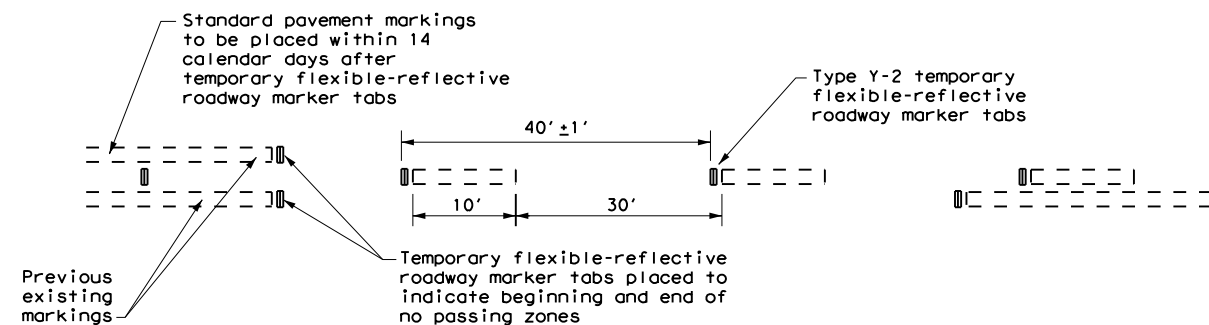
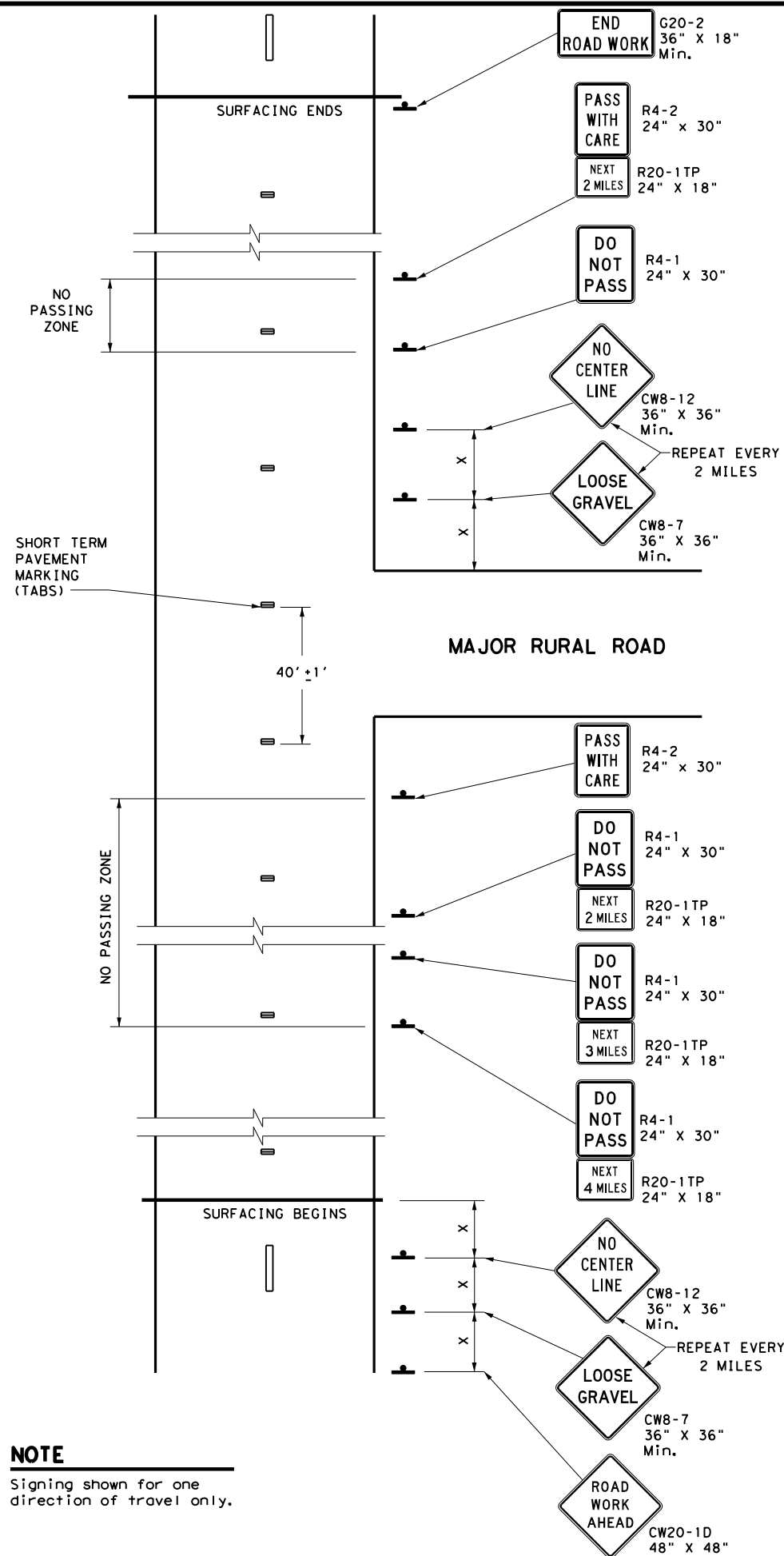
Texas Department of Transportation
 Traffic Operations Division Standard

TRAFFIC CONTROL PLAN
MOBILE OPERATIONS
RAISED PAVEMENT
MARKER INSTALLATION/
REMOVAL
TCP (3-3) - 14

| | | | | |
|------------------------|-----------|-----------|-----------|-----------|
| FILE: tcp3-3.dgn | DN: TxDOT | CK: TxDOT | OW: TxDOT | CK: TxDOT |
| © TxDOT September 1987 | CONT | SECT | JOB | HIGHWAY |
| REVISIONS | 0071 | 03 | 042 | US87 |
| 2-94 4-98 | DIST | COUNTY | SHEET NO. | |
| 8-95 7-13 | AUS | MASON | 29 | |
| 1-97 7-14 | | | | |

DISCLAIMER: The use of this standard is governed by the "Texas Engineering Practice Act". No warranty of any kind is made by TxDOT for any purpose whatsoever. TxDOT assumes no responsibility for the conversion of units or the use of this standard for purposes other than those intended. The design is the property of TxDOT and is loaned to the user for the project for which it was prepared. It is not to be used for any other project without the written consent of TxDOT.

DATE: 7/6/2021 11:18:53 AM
 FILE: I:\Design\AUS_0071-03-042_US87_Overlay From McCullloch CL to S of Kruse RB1a at 0.5 mile from McCullloch CL.dgn



TABS ON CENTERLINES OF TWO-LANE TWO-WAY ROADS
 For seal coat, micro-surface or similar operations

"DO NOT PASS" SIGN (R4-1) and NO-PASSING ZONES

- Prior to the beginning of construction, all currently striped no-passing zones shall be signed with the DO NOT PASS (R4-1) signs and PASS WITH CARE (R4-2) signs placed at the beginning and end of each zone for each direction of travel except as otherwise provided herein. Signs marking these individual no-passing zones need not be covered prior to construction if the signs supplement the existing pavement markings.
- At the discretion of the Engineer, in areas of numerous no-passing zones, several zones may be combined as a single zone. If passing is to be prohibited over one or more lengthy sections, a DO NOT PASS sign and a NEXT XX MILES (R20-1TP) plaque may be used at the beginning of such zones. The DO NOT PASS sign and the NEXT XX MILES plaque should be repeated every mile to the end of the no-passing zone. In areas where there is considerable distance between no-passing zones, the end of the no-passing zone may be signed with a PASS WITH CARE sign and a NEXT XX MILES plaque.
- Depending on traffic volumes and length of sections, it may be desirable to prohibit passing throughout the project to prevent damage to windshield and lights. The DO NOT PASS sign and NEXT XX MILES plaque should be used and repeated as often as necessary for this purpose. Where several existing zones are to be combined into one individual no-passing zone, the sign at the beginning of the zone should be covered until the surfacing operation has passed this location so as not to have the DO NOT PASS sign conflict with the existing pavement markings. Also, unless one days operation completes the entire length of such combined zones, appropriate DO NOT PASS and PASS WITH CARE signs should be placed at the beginning and end of the no-passing zones where the surfacing operation has stopped for the day.
- R4-1 and R4-2 are to remain in place until standard pavement markings are installed.

"NO CENTER LINE" SIGN (CW8-12)

- Center line markings are yellow pavement markings that delineate the separation of travel lanes that have opposite directions of travel on a roadway. Divided highways do not typically have center line markings.
- At the time construction activity obliterates the existing center line markings (low volume roads may not have an existing centerline), a NO CENTER LINE (CW8-12) sign should be erected at the beginning of the work area, at approximately 2 mile intervals within the work area, beyond major intersections and other locations deemed necessary by the Engineer.
- The NO CENTER LINE signs are to remain in place until standard pavement markings are installed.

"LOOSE GRAVEL" SIGN (CW8-7)

- When construction begins, a LOOSE GRAVEL (CW8-7) sign should be erected at each end of the work area and repeated at intervals of approximately 2 miles in rural areas and closer in urban areas.
- The LOOSE GRAVEL signs are to remain in place until the condition no longer exists.

PAVEMENT MARKINGS

- Temporary markings for surfacing projects shall be Temporary Flexible-reflective Roadway Marker Tabs unless otherwise approved by the Engineer. Tabs are to be installed to provide true alignment for striping crews or as directed by the Engineer. Tabs will be placed at the spacing indicated. Tabs should be applied to the pavement no more than two (2) days before the surfacing is applied. After the surfacing is rolled and swept, the cover over the reflective strip shall be removed.
- Tabs shall not be used to simulate edge lines.
- Tab placement for overlay/inlay operations shall be as shown on the WZ(STPM) standard sheet.

COORDINATION OF SIGN LOCATIONS

- The location of warning signs at the beginning and end of a work area are to be coordinated with other signing typically shown on the Barricade and Construction Standards for project limits to ensure adequate sign spacing.
- Where possible the ROAD WORK AHEAD (CW20-1D), LOOSE GRAVEL (CW8-7), and NO CENTER LINE (CW8-12) signs should be placed in the sequence shown following the OBEY WARNING SIGNS STATE LAW (R20-3T) and the TRAFFIC FINES DOUBLE (R20-5T) sign, and one "X" sign spacing prior to the CONTRACTOR (G20-6T) sign typically located at or near the limits of surfacing. LOOSE GRAVEL and NO CENTER LINE signs will then be repeated as described above.

| Posted Speed * | Minimum Sign Spacing "X" Distance |
|----------------|-----------------------------------|
| 30 | 120' |
| 35 | 160' |
| 40 | 240' |
| 45 | 320' |
| 50 | 400' |
| 55 | 500' |
| 60 | 600' |
| 65 | 700' |
| 70 | 800' |
| 75 | 900' |

* Conventional Roads Only

| TYPICAL USAGE | | | | |
|---------------|----------------|-----------------------|------------------------------|----------------------|
| MOBILE | SHORT DURATION | SHORT TERM STATIONARY | INTERMEDIATE TERM STATIONARY | LONG TERM STATIONARY |
| | | | ✓ | ✓ |

GENERAL NOTES

- The traffic control devices detailed on this sheet will be furnished and erected as directed by the Engineer on sections of roadway where tabs must be placed prior to the surfacing operation which will cover or obliterate the existing pavement markings.
- The devices shown on this sheet are to be used to supplement those required by the BC Standards or others required elsewhere in the plans.
- Signs shall be erected as detailed on the BC Standards or the Compliant Work Zone Traffic Control Devices List (CWZTCD) on supports approved for Long-Term / Intermediate-Term Work Zone Sign Supports.
- When surfacing operations take place on divided highways, freeways or expressways, the size of diamond shaped construction warning signs shall be 48" x 48".
- Signs on divided highways, freeways and expressways will be placed on both right and left sides of the roadway based on roadway conditions as directed by the Engineer.



TRAFFIC CONTROL DETAILS FOR SURFACING OPERATIONS

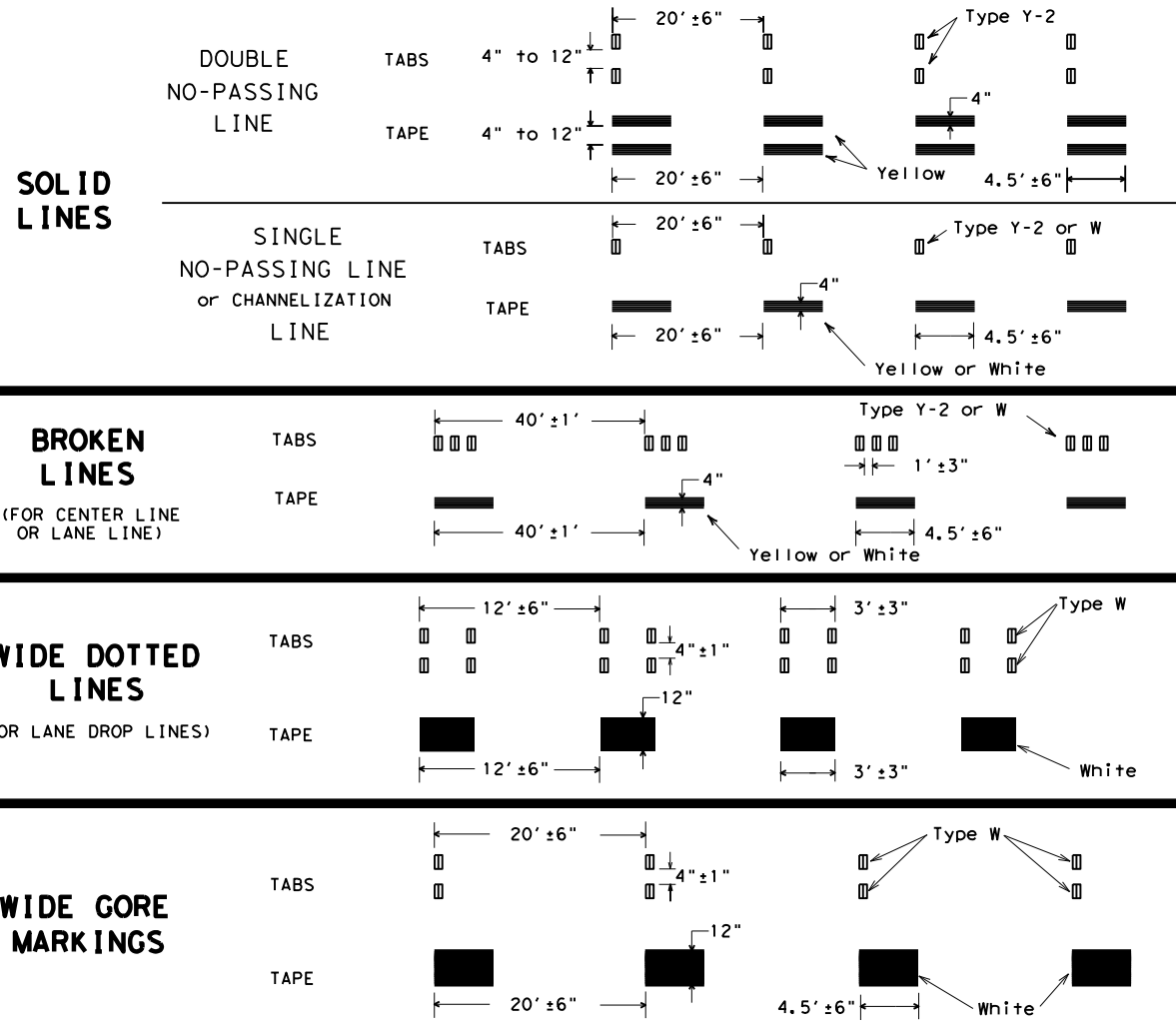
TCP (7-1) - 13

| | | | | | | | | | |
|-----------|------------|-------|-------|---------|-------|------|-------|-----------|-------|
| FILE: | tcp7-1.dgn | DN: | TxDOT | CK: | TxDOT | DW: | TxDOT | CK: | TxDOT |
| © TxDOT | March 1991 | CONT: | | SECT: | | JOB: | | HIGHWAY: | |
| REVISIONS | | 0071 | 03 | | | 042 | | US87 | |
| 4-92 | 4-98 | DIST: | | COUNTY: | | | | SHEET NO. | |
| 1-97 | 7-13 | AUS | | MASON | | | | 30 | |

DISCLAIMER: The use of this standard is governed by the "Texas Engineering Practice Act". No warranty of any kind is made by TxDOT for any purpose whatsoever. TxDOT assumes no responsibility for the conversion of these markings to a different format or for any damage resulting from its use.

DATE: 7/6/2021 11:18:55 AM
 FILE: T:\Design\AUS_0071-03-042 US87 Overlay from McCulloch CL to S of Kruse Rd at Design Center

WORK ZONE SHORT TERM PAVEMENT MARKINGS DETAILS



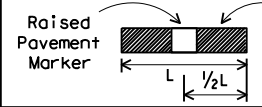
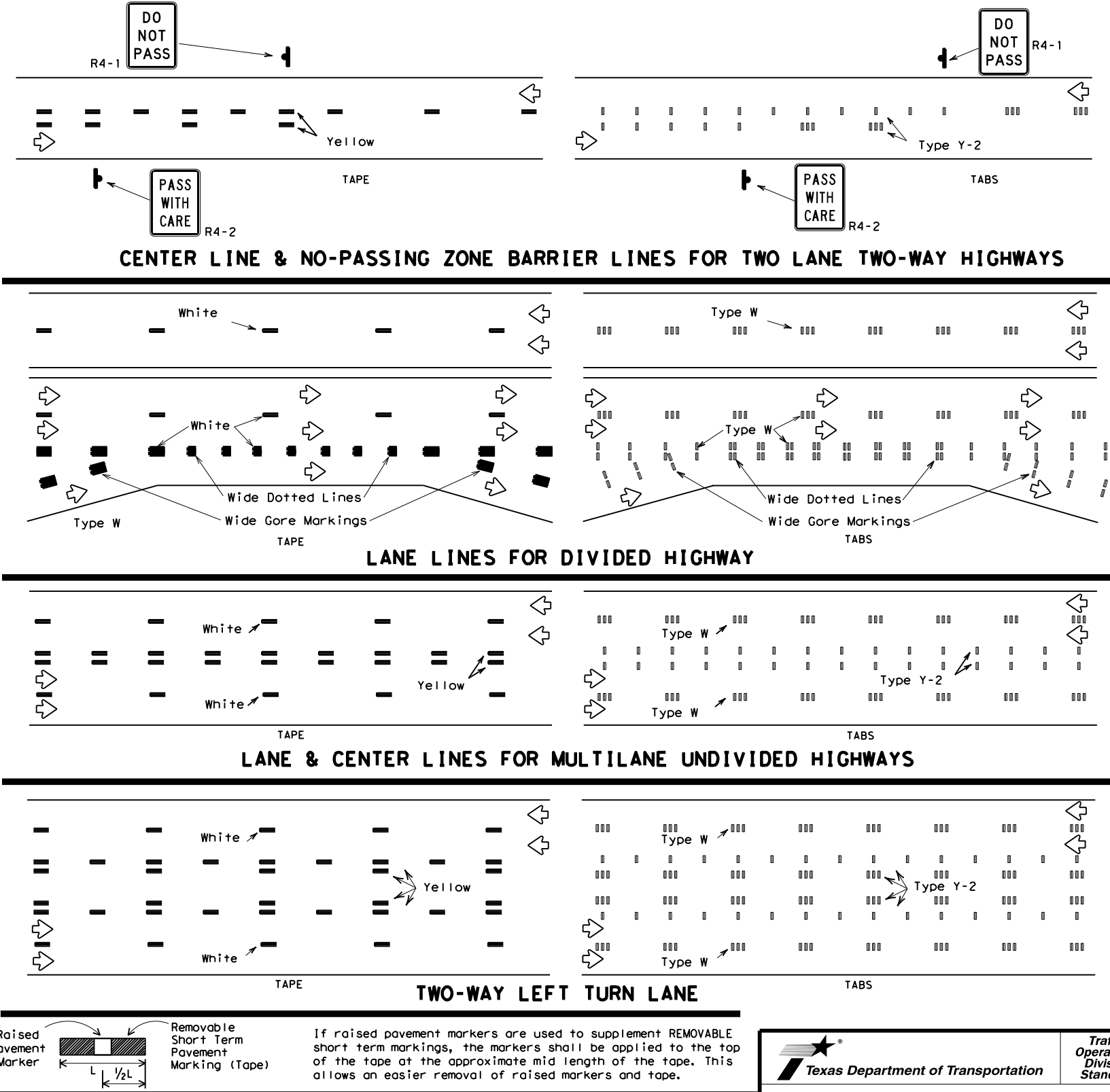
NOTES:

- Short term pavement markings may be prefabricated markings (stick down tape) or temporary flexible-reflective roadway marker tabs unless otherwise specified elsewhere in plans.
- Short term pavement markings shall NOT be used to simulate edge lines.
- Dimensions indicated on this sheet are typical and approximate. Variations in size and height may occur between markers or devices made by manufacturers, by as much as 1/4 inch, unless otherwise noted.
- Temporary flexible-reflective roadway marker tabs will require normal maintenance replacement when used on roadways with an ADT per lane of up to 7500 vehicles with no more than 10% truck mix. When roadways exceed these values, additional maintenance replacement of devices should be planned.
- No segment of roadway open to traffic shall remain without permanent pavement markings for a period greater than 14 calendar days. The Contractor will be responsible for maintaining short term pavement markings until permanent pavement markings are in place. When the Contractor is responsible for placement of permanent pavement markings, no segment of roadway shall remain without permanent pavement markings for a period greater than 14 calendar days unless weather conditions prohibit placement. Permanent pavement markings shall be placed as soon as weather permits.
- For two lane, two-way roadways, DO NOT PASS signs shall be erected to mark the beginning of sections where passing is prohibited and PASS WITH CARE signs shall be erected to mark the beginning of sections where passing is permitted. Signs shall be in accordance with the "Texas Manual on Uniform Traffic Control Devices" (TMUTCD) and may be used to indicate the limits of no-passing zones for up to 14 calendar days. Permanent pavement markings should then be placed.
- For low volume two lane, two-way roadways of 4000 ADT or less, no-passing lines may be omitted when approved by the Engineer. DO NOT PASS and PASS WITH CARE signs shall be erected (see note 6).
- For exit gores where a lane is being dropped place wide gore markings or retroreflective channelizing devices to guide motorist through the exit. If channelizing devices are to be used it should be noted elsewhere in the plans. One piece cones are not allowed for this purpose.

TEMPORARY FLEXIBLE, REFLECTIVE ROADWAY MARKER TABS (TABS)

- Temporary flexible-reflective roadway marker tabs detailed on this sheet will be designated Type Y-2 (two amber reflective surfaces with yellow body); Type Y (one amber reflective surface with yellow body); and Type W (one white or silver reflective surface with white body). Additional details may be found on BC(11).
- Tabs shall meet requirements of Departmental Material Specification DMS-8242.
- When dry, tabs shall be visible for a minimum distance of 200 feet during normal daylight hours and when illuminated by automobile low-beam head light at night, unless sight distance is restricted by roadway geometrics.
- No two consecutive tabs nor four tabs per 1000 feet of line shall be missing or fail to meet the visual performance requirements of Note 3.

WORK ZONE SHORT TERM PAVEMENT MARKINGS PATTERNS



If raised pavement markers are used to supplement REMOVABLE short term markings, the markers shall be applied to the top of the tape at the approximate mid length of the tape. This allows an easier removal of raised markers and tape.

PREFABRICATED PAVEMENT MARKINGS

- Temporary Removable Prefabricated Pavement Markings shall meet the requirements of DMS-8241.
- Non-removable Prefabricated Pavement Markings shall meet the requirements of either DMS-8240 "Permanent Prefabricated Pavement Markings" or DMS-8243 "Temporary Construction-Grade Prefabricated Pavement Markings."

RAISED PAVEMENT MARKERS

- All raised pavement markers used for work zone markings shall meet the requirements of Item 672, "RAISED PAVEMENT MARKERS" and DMS-4200.

DEPARTMENTAL MATERIAL SPECIFICATIONS (DMS) & MATERIAL PRODUCER LISTS (MPL)

- DMSs referenced above can be found along with embedded links to their respective MPLs at the following website:
http://www.txdot.gov/business/contractors_consultants/material_specifications/default.htm



WORK ZONE SHORT TERM PAVEMENT MARKINGS

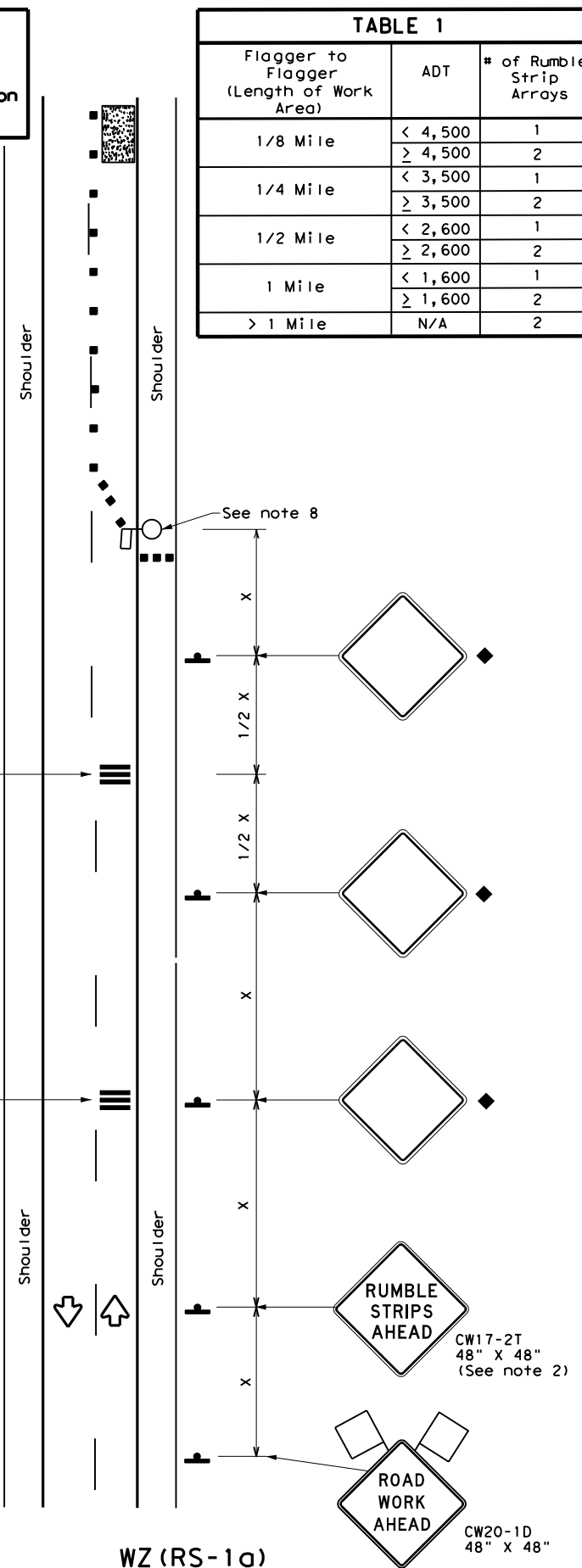
WZ (STPM) - 13

| | | | | | | | | | |
|-----------|---------------|------|-------|--------|-------|-----------|-------|---------|-------|
| FILE: | wzstpm-13.dgn | DN: | TxDOT | CK: | TxDOT | DW: | TxDOT | CK: | TxDOT |
| © TxDOT | April 1992 | CONT | 0071 | SECT | 03 | JOB | 042 | HIGHWAY | US87 |
| REVISIONS | | DIST | AUS | COUNTY | MASON | SHEET NO. | | | 31 |

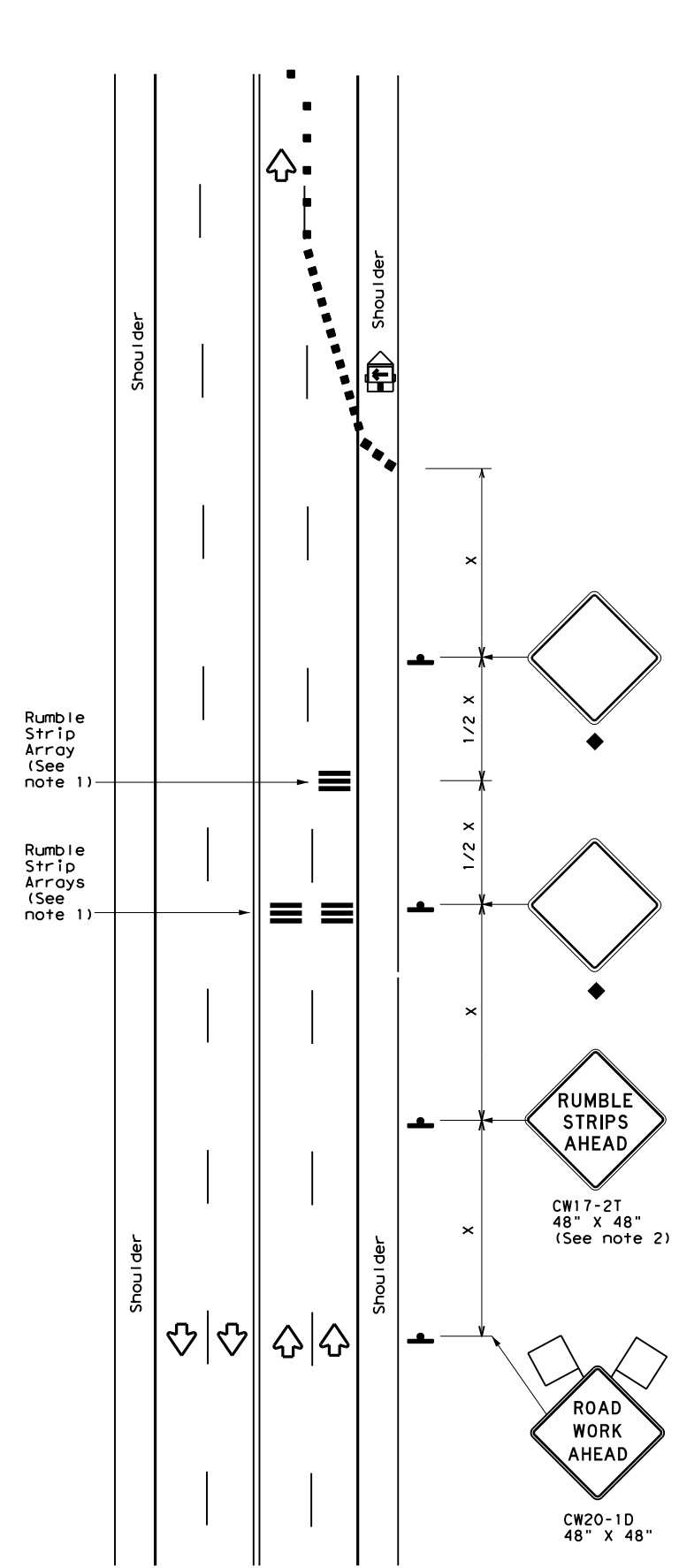
DISCLAIMER: The use of this standard is governed by the "Texas Engineering Practice Act". No warranty of any kind is made by TxDOT for any purpose whatsoever. TxDOT assumes no responsibility for the conversion of units or the accuracy of the information presented herein. This standard is not intended to be used as a contract document. DATE: 7/6/2021 11:18:57 AM FILE: T:\Design\AUS_0071-03-042_US87_Overlay From McCullloch CL to S of Kruse RB1a standard.dgn

Warning sign and rumble strip sequence in opposite direction is same as below

| Flagger to Flagger (Length of Work Area) | ADT | # of Rumble Strip Arrays |
|--|---------|--------------------------|
| 1/8 Mile | < 4,500 | 1 |
| | ≥ 4,500 | 2 |
| 1/4 Mile | < 3,500 | 1 |
| | ≥ 3,500 | 2 |
| 1/2 Mile | < 2,600 | 1 |
| | ≥ 2,600 | 2 |
| 1 Mile | < 1,600 | 1 |
| | ≥ 1,600 | 2 |
| > 1 Mile | N/A | 2 |



WZ (RS-1a)
75 mph or Less
RUMBLE STRIPS ON ONE-LANE TWO-WAY APPLICATION



WZ (RS-1b)
75 mph or Less
RUMBLE STRIPS FOR LANE CLOSURE ON CONVENTIONAL ROADWAY

GENERAL NOTES

- Each Rumble Strip Array should consist of three rumble strips spaced center to center at the spacing shown in Table 2, placed transverse across the lane at locations shown.
- The CW17-2T "RUMBLE STRIPS AHEAD" sign should be located after the CW20-1D "ROAD WORK AHEAD" sign and spaced as shown. If traffic is observed to be queuing, or is expected to queue beyond the Rumble Strips, the CW17-2T sign and the first Rumble Strip Array may be located upstream of the CW20-1D sign as necessary to provide needed warning.
- Temporary Rumble Strips will be considered subsidiary to Item 502, and shall be a product listed on the Compliant Work Zone Traffic Control Devices.
- Removal of the Temporary Rumble Strips should be accomplished before removing the advance warning signs.
- Temporary Rumble Strips should not be used on horizontal curves, loose gravel, soft or bleeding asphalt, heavily rutted pavements or unpaved surfaces.
- Temporary Rumble Strips shall be installed and maintained as per manufacturer's recommendations.
- This standard sheet shall be used in conjunction with other appropriate TCP standard, TMUTCD typical application or project specific detail for the project.
- The one-lane two-way application may utilize a flagger, an AFAD or a portable traffic signal.
- Temporary Rumble Strips may be used on freeways or expressways based on engineering judgment.

| Speed | Approximate distance between strips in an Array |
|---------------------|---|
| ≤ 40 MPH | 10' |
| > 40 MPH & ≤ 55 MPH | 15' |
| > 55 MPH | 20' |

| | | | |
|--|--------------------------------------|--|---|
| | Type 3 Barricade | | Channelizing Devices |
| | Heavy Work Vehicle | | Truck Mounted Attenuator (TMA) |
| | Trailer Mounted Flashing Arrow Panel | | Portable Changeable Message Sign (PCMS) |
| | Sign | | Traffic Flow |
| | Flag | | Flagger |

| Posted Speed * | Formula | Minimum Desirable Taper Lengths ** | | | Suggested Maximum Spacing of Channelizing Devices | | Minimum Sign Spacing "x" Distance | Suggested Longitudinal Buffer Space "B" |
|----------------|--------------------------|------------------------------------|------------|------------|---|--------------|-----------------------------------|---|
| | | 10' Offset | 11' Offset | 12' Offset | On a Taper | On a Tangent | | |
| 30 | L = WS ² / 60 | 150' | 165' | 180' | 30' | 60' | 120' | 90' |
| 35 | | 205' | 225' | 245' | 35' | 70' | 160' | 120' |
| 40 | L = WS | 265' | 295' | 320' | 40' | 80' | 240' | 155' |
| 45 | | 450' | 495' | 540' | 45' | 90' | 320' | 195' |
| 50 | L = WS | 500' | 550' | 600' | 50' | 100' | 400' | 240' |
| 55 | | 550' | 605' | 660' | 55' | 110' | 500' | 295' |
| 60 | L = WS | 600' | 660' | 720' | 60' | 120' | 600' | 350' |
| 65 | | 650' | 715' | 780' | 65' | 130' | 700' | 410' |
| 70 | L = WS | 700' | 770' | 840' | 70' | 140' | 800' | 475' |
| 75 | | 750' | 825' | 900' | 75' | 150' | 900' | 540' |

* Conventional Roads Only
 ** Taper lengths have been rounded off.
 L=Length of Taper (FT) W=Width of Offset (FT)
 S=Posted Speed (MPH)

| MOBILE | SHORT DURATION | SHORT TERM STATIONARY | INTERMEDIATE TERM STATIONARY | LONG TERM STATIONARY |
|--------|----------------|-----------------------|------------------------------|----------------------|
| | ✓ | ✓ | | |

◆ Signs are for illustrative purposes only. Signs required may vary depending on the TCP, TMUTCD Typical Application, or project specific details for the project.

Texas Department of Transportation
 Traffic Operations Division Standard

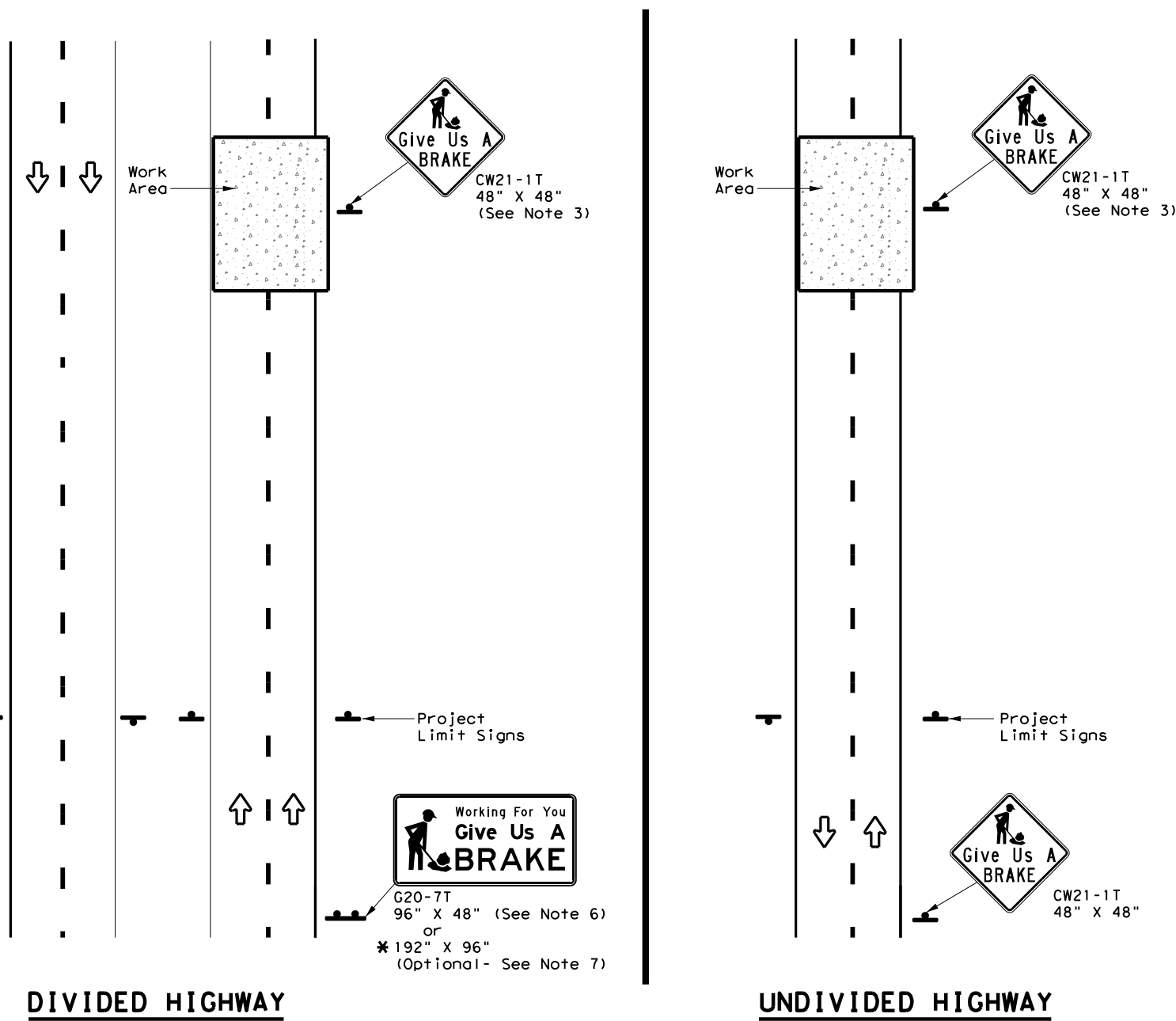
TEMPORARY RUMBLE STRIPS

WZ (RS) - 16

| | | | | |
|-----------------------|-----------|-----------|-----------|-----------|
| FILE: wzrs16.dgn | DN: TxDOT | CK: TxDOT | DW: TxDOT | CK: TxDOT |
| © TxDOT November 2012 | CONT | SECT | JOB | HIGHWAY |
| REVISIONS | 0071 | 03 | 042 | US87 |
| 2-14 | DIST | COUNTY | SHEET NO. | |
| 4-16 | AUS | MASON | 32 | |

DISCLAIMER: The use of this standard is governed by the "Texas Engineering Practice Act". No warranty of any kind is made by TxDOT for any purpose whatsoever. TxDOT assumes no responsibility for the conversion of units or the accuracy of any information derived from its use.

DATE: 7/6/2021 11:18:58 AM
 FILE: I:\Design\AUS_0071-03-042 US87 Overlay From McCulloch CL to S of Kruse Rd at Highway 371



SIGNS ARE SHOWN FOR ONE DIRECTION OF TRAVEL

* When the optional larger WORKING FOR YOU GIVE US A BRAKE (G20-7T) 192" x 96" sign is required, the locations shall be noted elsewhere in the plans.

SUMMARY OF LARGE SIGNS

| BACKGROUND COLOR | SIGN DESIGNATION | SIGN | SIGN DIMENSIONS | REFLECTIVE SHEETING | SQ FT | GALVANIZED STRUCTURAL STEEL | | DRILLED SHAFT |
|------------------|------------------|------|-----------------|---|-------|-----------------------------|-------|---------------|
| | | | | | | Size | (LF) | |
| | | | | | | | ① ② | 24" DIA. (LF) |
| Orange | G20-7T | | 96" X 48" | Type B _{FL} or C _{FL} | 32 | ▲ | ▲ ▲ | ▲ |
| Orange | G20-7T | | 192" X 96" | Type B _{FL} or C _{FL} | 128 | W8x18 | 16 17 | 12 |

▲ See Note 6 Below

LEGEND

| | |
|--|--------------|
| | Sign |
| | Large Sign |
| | Traffic Flow |

DEPARTMENTAL MATERIAL SPECIFICATIONS

| | |
|----------------------|----------|
| PLYWOOD SIGN BLANKS | DMS-7100 |
| ALUMINUM SIGN BLANKS | DMS-7110 |
| SIGN FACE MATERIALS | DMS-8300 |

| COLOR | USAGE | SHEETING MATERIAL |
|--------|------------------|--|
| ORANGE | BACKGROUND | TYPE B _{FL} OR TYPE C _{FL} |
| BLACK | LEGEND & BORDERS | NON-REFLECTIVE ACRYLIC FILM |

GENERAL NOTES

- See BC and SMD sheets for additional sign support details.
- Sign locations shall be approved by the Engineer.
- For projects more than two miles in length, Give Us a BRAKE signs should be repeated halfway through the project. The Give Us a Brake (CW21-1T) may be used for this purpose.
- Work zone speed limits are sometimes used in conjunction with GIVE US A BRAKE signing. See BC(3) for location and spacing of construction speed zone signing when required.
- Give Us a Brake (CW21-1T) signs and supports shall be considered subsidiary to Item 502, "Barricades, Signs and Traffic Handling."
- The 96" X 48" Working For You Give Us A BRAKE (G20-7T) may use a 1/2" or 5/8" plywood substrate or 0.125" aluminum sheeting substrate and may be supported by two 4" x 6" wood posts with drilled holes for breakaway as per BC(5) and will be subsidiary to Item 502.
- The Working For You Give Us A BRAKE (G20-7T) 192" X 96" sign shall be paid for under the following specification items:
 Item 636 - Aluminum Signs
 Item 647 - Large Roadside Sign Supports and Assemblies.
 Item 416 - Drilled Shaft Foundations
- All signs shall be constructed in accordance with the details found in the "Standard Highway Sign Designs for Texas," latest edition. Sign details not shown in this manual shall be shown in the plans or the Engineer shall provide a detail to the Contractor before the sign is manufactured.

Texas Department of Transportation
 Traffic Operations Division Standard

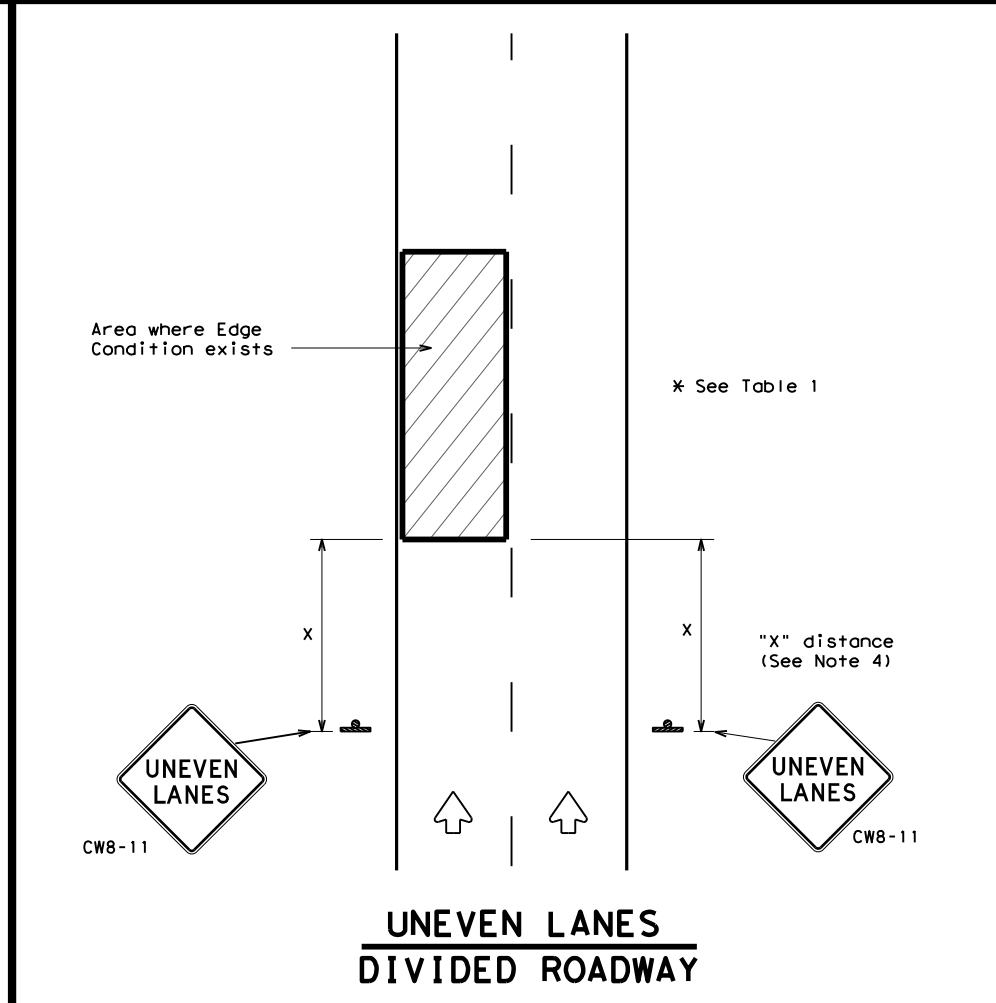
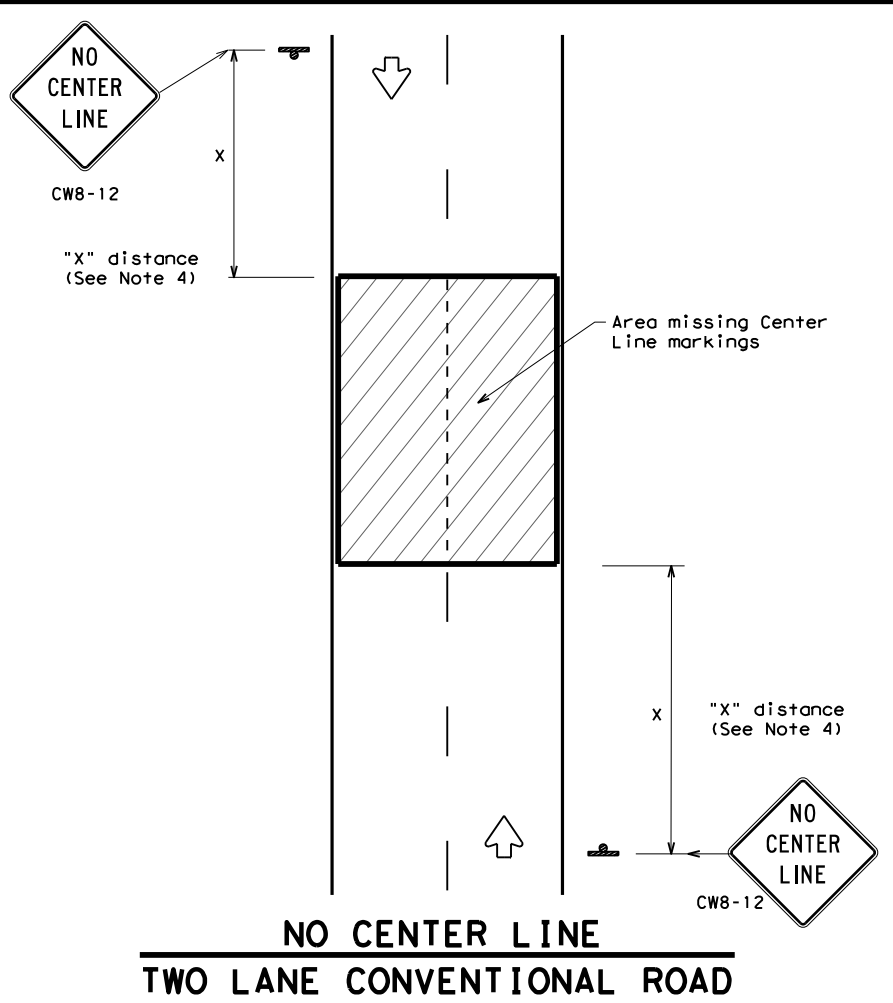
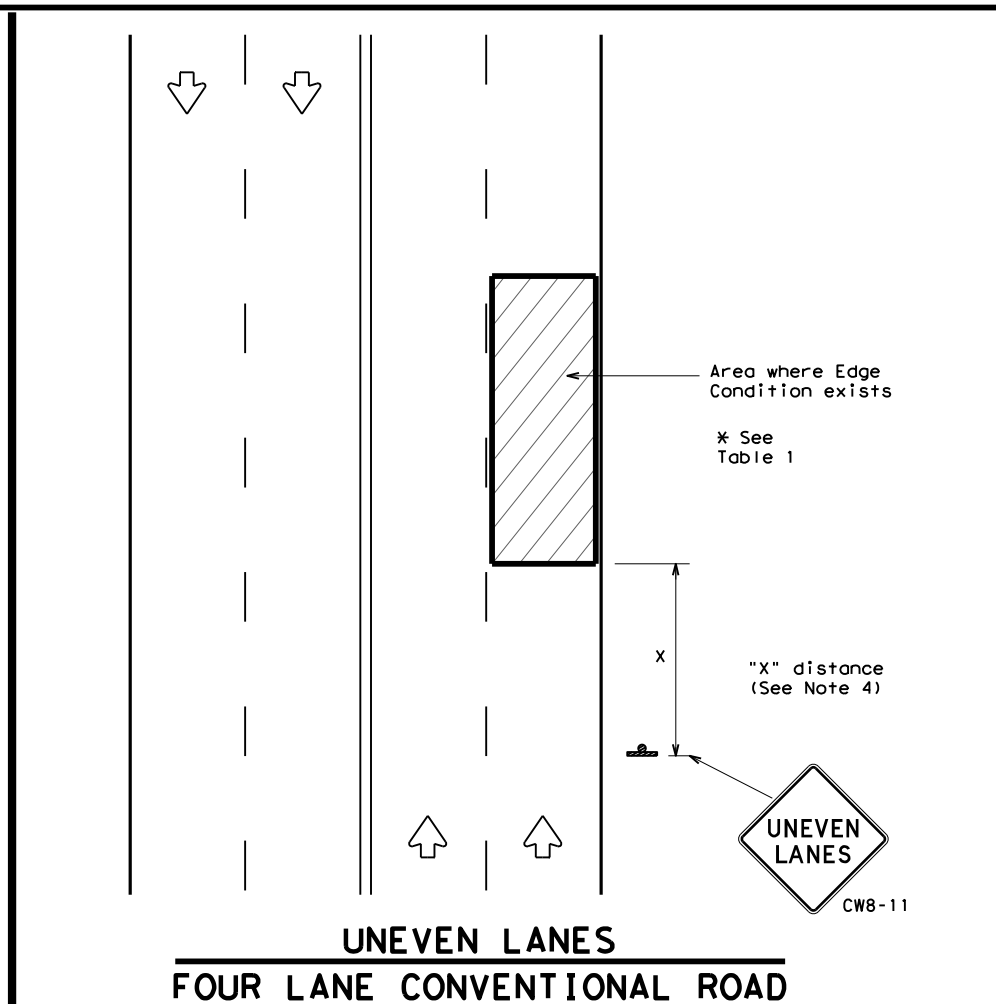
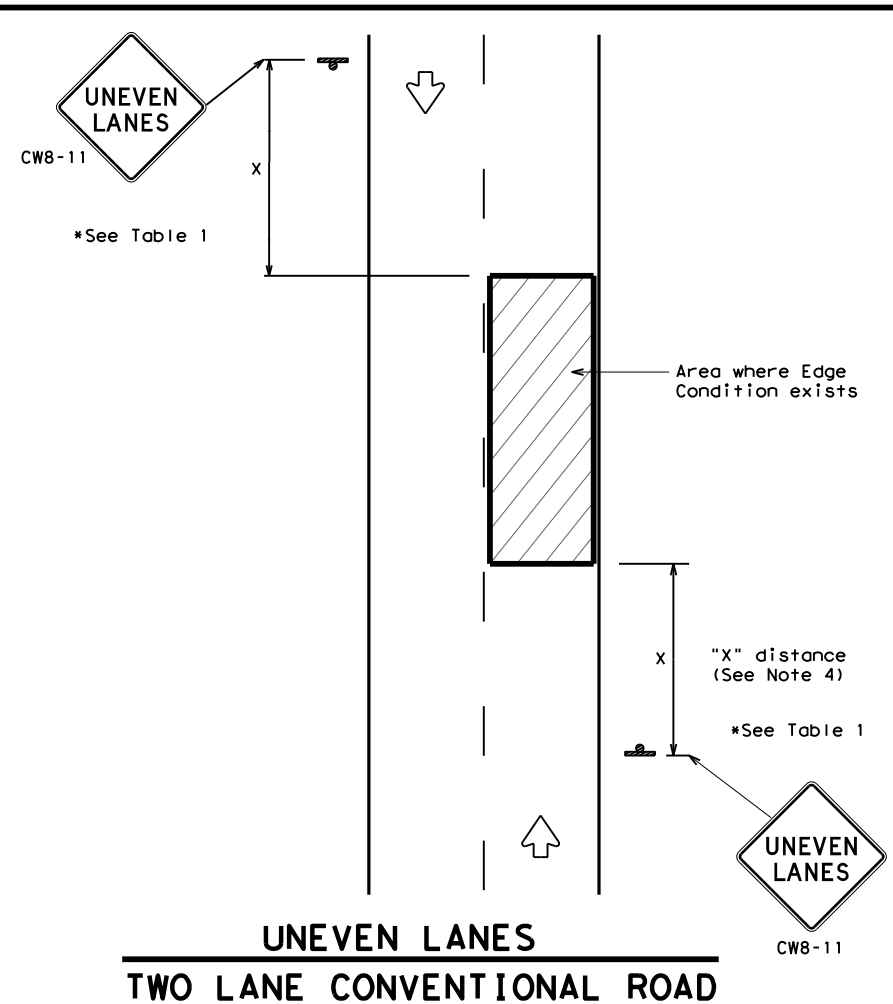
**WORK ZONE
 "GIVE US A BRAKE"
 SIGNS**

WZ (BRK) - 13

| | | | | |
|---------------------|-----------|-----------|-----------|-----------|
| FILE: wzbrk-13.dgn | DN: TxDOT | CK: TxDOT | DW: TxDOT | CR: TxDOT |
| © TxDOT August 1995 | CONT | SECT | JOB | HIGHWAY |
| REVISIONS | 0071 | 03 | 042 | US87 |
| 6-96 5-98 7-13 | DIST | COUNTY | SHEET NO. | |
| 8-96 3-03 | AUS | MASON | 33 | |

DISCLAIMER: The use of this standard is governed by the "Texas Engineering Practice Act". No warranty of any kind is made by TxDOT for any purpose whatsoever. TxDOT assumes no responsibility for the conversion of units or for the accuracy of the information presented herein. The user of this standard shall be responsible for its use.

DATE: 7/6/2021 11:19:00 AM
 FILE: T:\Design\AUS_0071-03-042 US87 Overlay from McCullloch CL to S of Kruse Rd at Signal at Signal



| DEPARTMENTAL MATERIAL SPECIFICATIONS | |
|---|----------|
| PERMANENT PREFABRICATED PAVEMENT MARKINGS | DMS-8240 |
| TEMPORARY (REMOVABLE) PREFABRICATED PAVEMENT MARKINGS | DMS-8241 |
| SIGN FACE MATERIALS | DMS-8300 |

| COLOR | USAGE | SHEETING MATERIAL |
|--------|------------------|---|
| ORANGE | BACKGROUND | TYPE B _{FL} OR TYPE C _{FL} SHEETING |
| BLACK | LEGEND & BORDERS | ACRYLIC NON-REFLECTIVE SHEETING |

GENERAL NOTES

1. If spalling or holes occur, ROUGH ROAD (CW8-8) signs should be placed in advance of the condition and be repeated every two miles where the condition persists.
2. UNEVEN LANES (CW8-11) signs shall be installed in advance of the condition and repeated every mile. Signs installed along the uneven lane condition may be supplemented with the NEXT XX MILES (CW7-3aP) plaque or Advisory Speed (CW13-1P) plaque.
3. NO CENTER LINE (CW8-12) signs and temporary pavement markings as per the WZ(STPM) standard shall be installed if yellow centerlines separating two way traffic are obscured or obliterated. Repeat NO CENTER LINE signs every two miles where the center line markings are not in place. The signs and markings shall remain in place until permanent pavement markings are installed.
4. Signs shall be spaced at the distances recommended as per BC standards.
5. Additional signs may be required as directed by the Engineer. Signs shall remain in place until final surface is applied. Signs shall be considered subsidiary to Item 502 "BARRICADES, SIGNS AND TRAFFIC HANDLING."
6. Signs shall be fabricated and mounted on supports as shown on the BC standards and/or listed on the "Compliant Work Zone Traffic Control Devices" list.
7. Short term markings shall not be used to simulate edge lines.
8. All signs shall be constructed in accordance with the details found in the "Standard Highway Sign Designs for Texas," latest edition.

| Edge Condition | Edge Height (D) | * Warning Devices |
|----------------|---|-------------------|
| ① | Less than or equal to: 1/4" (maximum-planing) 1/2" (typical-overlay) | Sign: CW8-11 |
| ② | Less than or equal to 3" | Sign: CW8-11 |
| ③ | Distance "D" may be a maximum of 3" if uneven lanes with edge condition 2 or 3 are open to traffic after work operations cease. Uneven lanes should not be open to traffic when "D" is greater than 3". | |

TRAFFIC CONTROL DURING PLANING, OVERLAY AND LEVELING OPERATIONS ARE SHOWN ELSEWHERE IN THE PLANS.

| MINIMUM WARNING SIGN SIZE | |
|--|-----------|
| Conventional roads | 36" x 36" |
| Freeways/expressways, divided roadways | 48" x 48" |



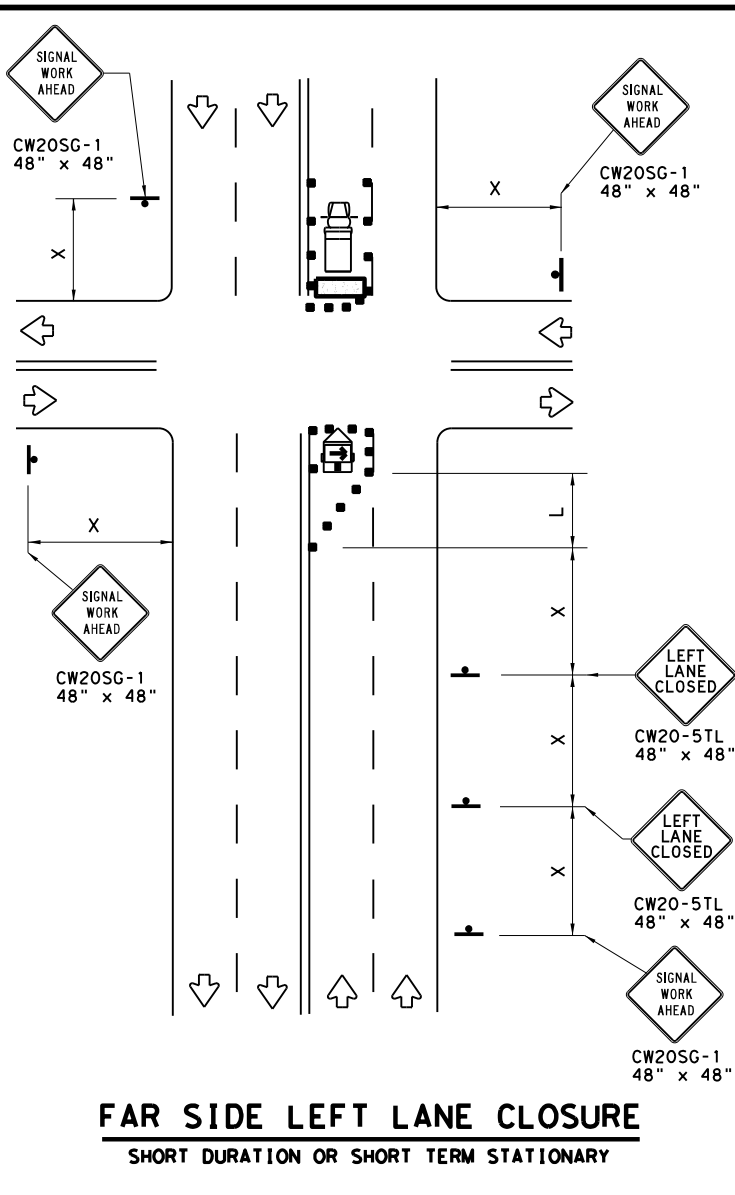
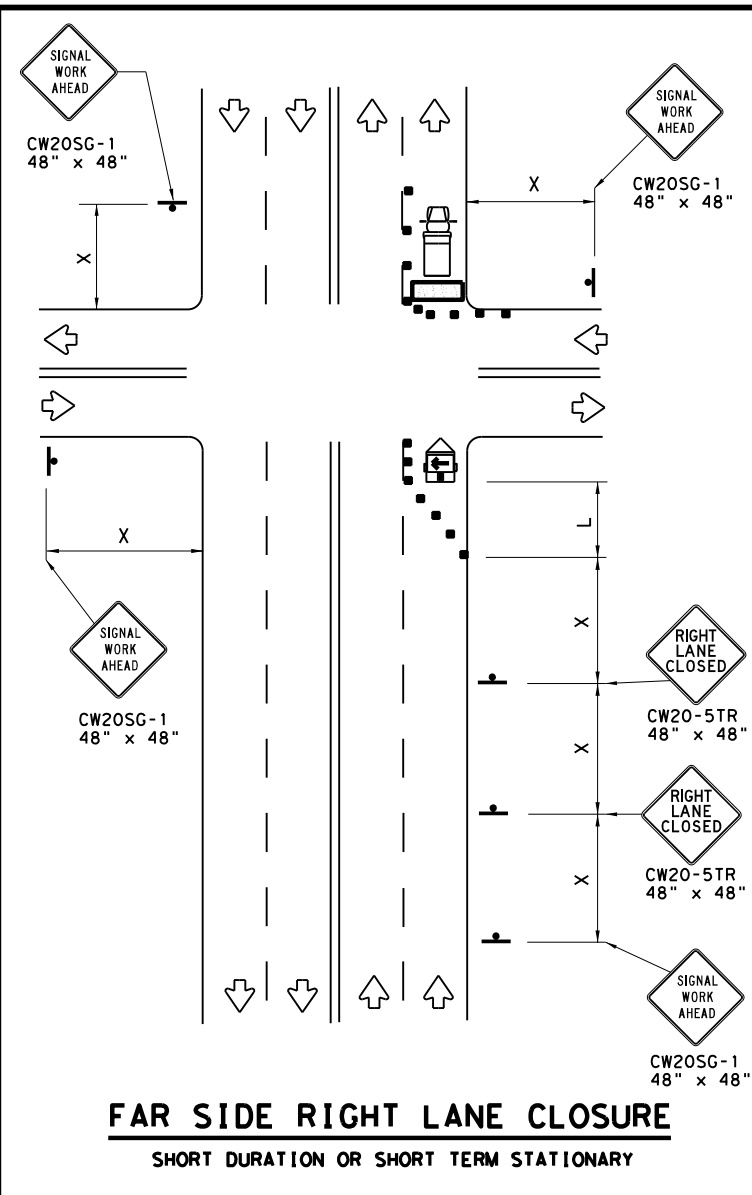
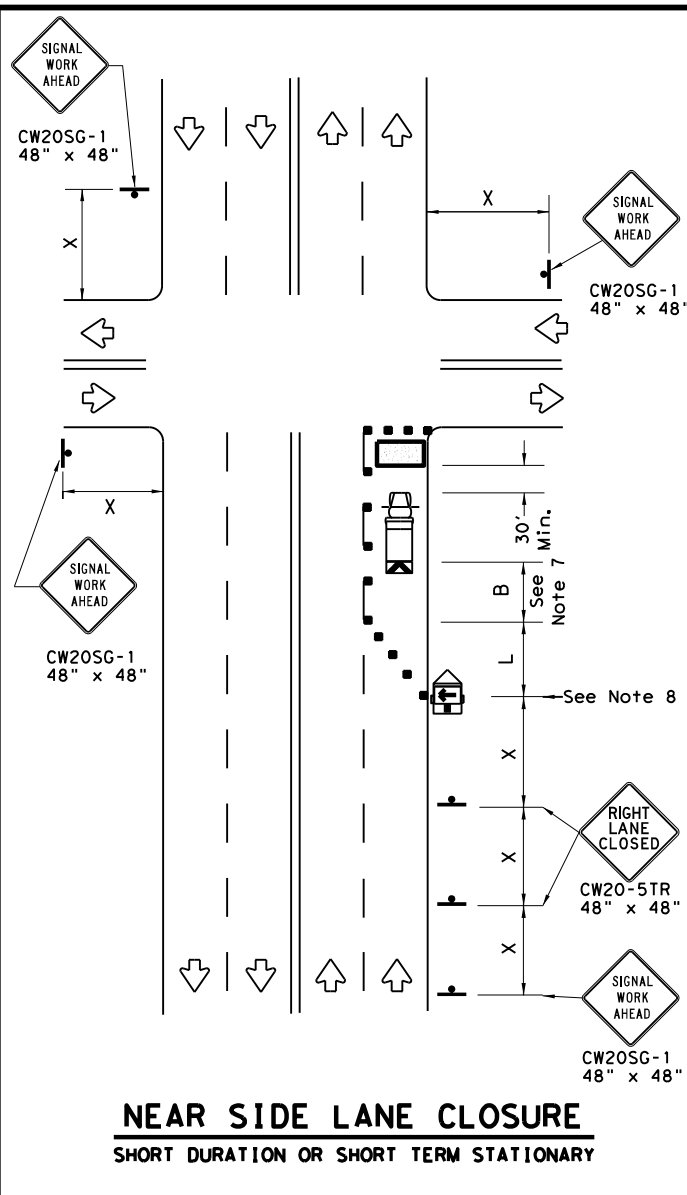
SIGNING FOR UNEVEN LANES

WZ (UL) - 13

| | | | | |
|-------------------|------------|-----------|-----------|-----------|
| FILE: wzu1-13.dgn | DN: TxDOT | CK: TxDOT | DW: TxDOT | CR: TxDOT |
| © TxDOT | APRIL 1992 | CONT | SECT | JOB |
| REVISIONS | 0071 | 03 | 042 | US87 |
| 8-95 2-98 7-13 | DIST | COUNTY | SHEET NO. | |
| 1-97 3-03 | AUS | MASON | 34 | |

DISCLAIMER: The use of this standard is governed by the "Texas Engineering Practice Act". No warranty of any kind is made by TxDOT for any purpose whatsoever. TxDOT assumes no responsibility for the conversion of units or for the accuracy of the information presented herein. This standard is not intended to be used as a contract document.

DATE: 7/6/2021 11:19:02 AM
 FILE: T:\Design\AUS_0071-03-042 US87 Overlay From McCullloch CL to S of Kruse Rd at Signal for Maintenance of Signal



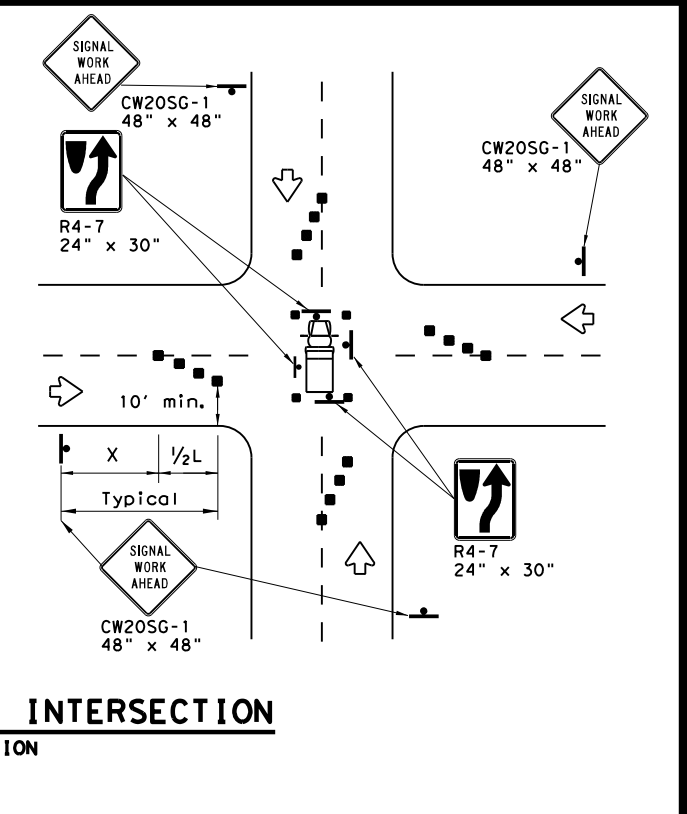
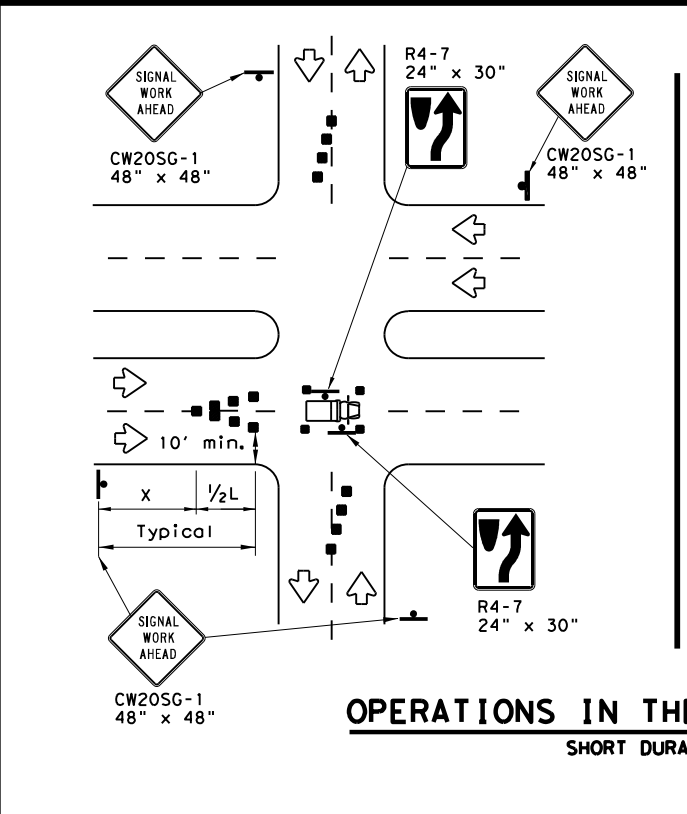
LEGEND

| | | | |
|--|--------------------------------------|--|---|
| | Type 3 Barricade | | Channelizing Devices |
| | Heavy Work Vehicle | | Truck Mounted Attenuator (TMA) |
| | Trailer Mounted Flashing Arrow Board | | Portable Changeable Message Sign (PCMS) |
| | Sign | | Traffic Flow |
| | Flag | | Flagger |

| Posted Speed * | Formula | Minimum Desirable Taper Lengths ** | | | Suggested Maximum Spacing of Channelizing Devices | | Minimum Sign Spacing "X" Distance | Suggested Longitudinal Buffer Space "B" |
|----------------|-----------------------|------------------------------------|------------|------------|---|--------------|-----------------------------------|---|
| | | 10' Offset | 11' Offset | 12' Offset | On a Taper | On a Tangent | | |
| 30 | $L = \frac{WS^2}{60}$ | 150' | 165' | 180' | 30' | 60' | 120' | 90' |
| 35 | | 205' | 225' | 245' | 35' | 70' | 160' | 120' |
| 40 | | 265' | 295' | 320' | 40' | 80' | 240' | 155' |
| 45 | L = WS | 450' | 495' | 540' | 45' | 90' | 320' | 195' |
| 50 | | 500' | 550' | 600' | 50' | 100' | 400' | 240' |
| 55 | | 550' | 605' | 660' | 55' | 110' | 500' | 295' |
| 60 | | 600' | 660' | 720' | 60' | 120' | 600' | 350' |
| 65 | | 650' | 715' | 780' | 65' | 130' | 700' | 410' |
| 70 | | 700' | 770' | 840' | 70' | 140' | 800' | 475' |
| 75 | | 750' | 825' | 900' | 75' | 150' | 900' | 540' |

* Conventional Roads Only
 ** Taper lengths have been rounded off.
 L=Length of Taper (FT) W=Width of Offset (FT) S=Posted Speed (MPH)

WORKERS IN BUCKET TRUCKS SHALL NOT WORK ABOVE OPEN LANES OF TRAFFIC.



GENERAL NOTES

- The minimum size channelizing device is the 28" cone. 42" Two-piece cones, drums, vertical panels or barricades will be required when the device must be left unattended at night.
- Obstructions or hazards at the work area shall be clearly marked and delineated at all times.
- Flaggers and Flagger Symbol (CW20-7) signs may be required according to field conditions.
- Vehicles parked in roadway shall be equipped with at least two high intensity rotating, flashing, oscillating or strobe type lights.
- High level warning devices (flag trees) may be used at corners of the vehicle.
- When work operations are performed on existing signals, the signals may be placed in flashing red mode when approved by the engineer. If existing signals do not have power, All-Way Stop (R1-1 and R1-3P) signs may be implemented when approved by the engineer.
- For Short-Term Stationary work the buffer space "B" from the above table should be used if field conditions permit. For Short Duration (less than 1 hour) any buffer space provided will enhance the safety of the setup.
- The arrow board at this location may be omitted for Short Duration work if the work vehicle has an arrow board in operation. As an option, the arrow board may be placed at the end of the taper in the closed lane if space is not available at the beginning of the taper.
- Signs and devices for the NEAR SIDE LANE CLOSURE may be altered for a left lane closure by using a LEFT LANE CLOSED (CW20-5TL) and adding channelizing devices on the centerline to protect the work space from opposing traffic.

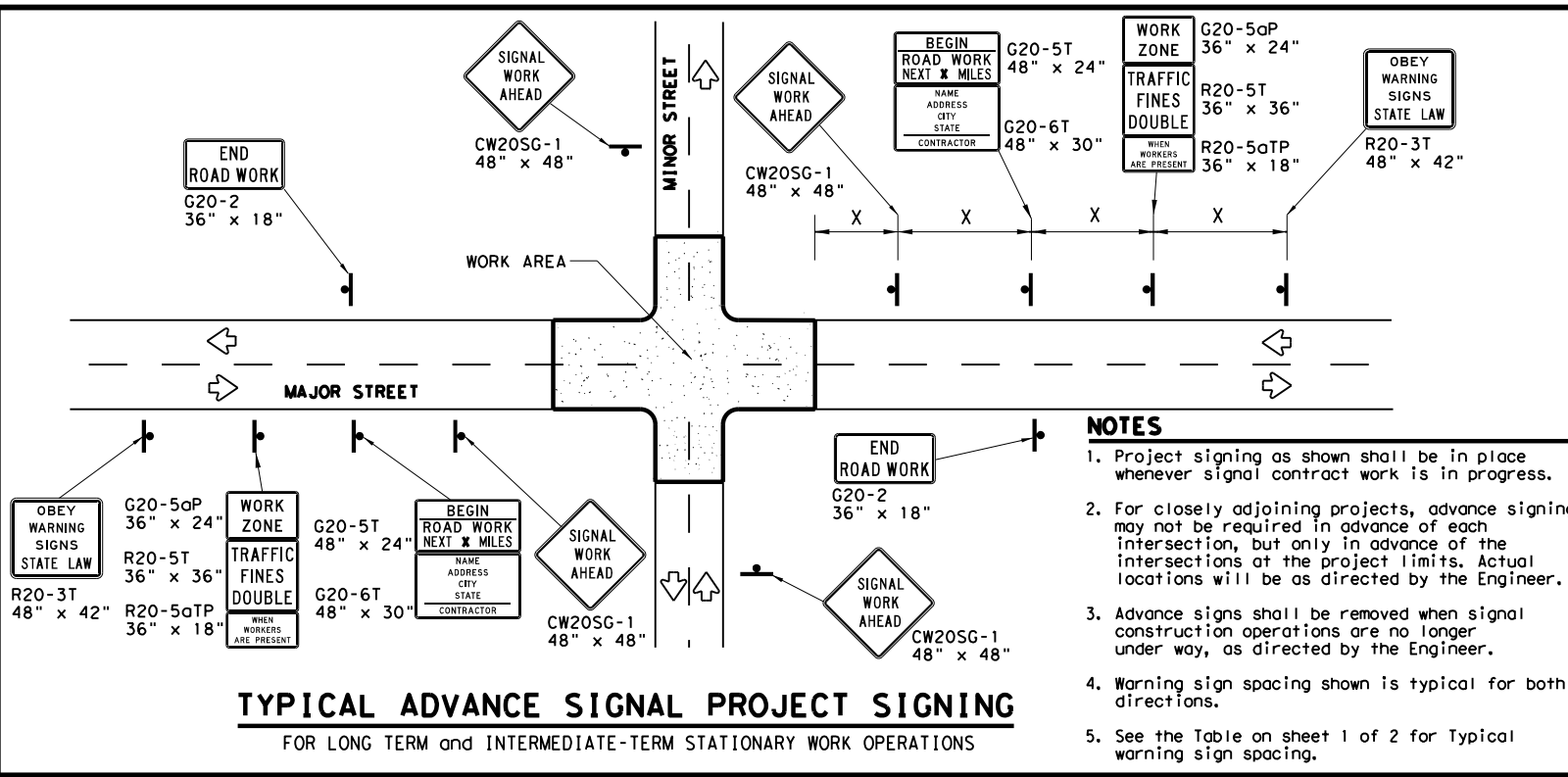
TRAFFIC SIGNAL WORK TYPICAL DETAILS

WZ(BTS-1)-13

| | | | | |
|--------------------|-----------|-----------|-----------|-----------|
| FILE: wzbts-13.dgn | DN: TxDOT | CR: TxDOT | DW: TxDOT | CK: TxDOT |
| © TxDOT April 1992 | CONT | SECT | JOB | HIGHWAY |
| REVISIONS | 0071 | 03 | 042 | US87 |
| 2-98 10-99 7-13 | DIST | COUNTY | SHEET NO. | |
| 4-98 3-03 | AUS | MASON | 35 | |

No warranty of any kind is made by TxDOT for any purpose whatsoever. TxDOT assumes no responsibility for the conversion of this standard into a standard or for damages resulting from its use.

The use of this standard is governed by the "Texas Engineering Practice Act". No warranty of any kind is made by TxDOT for any purpose whatsoever. TxDOT assumes no responsibility for the conversion of this standard into a standard or for damages resulting from its use.



TYPICAL ADVANCE SIGNAL PROJECT SIGNING
FOR LONG TERM and INTERMEDIATE-TERM STATIONARY WORK OPERATIONS

- NOTES**
1. Project signing as shown shall be in place whenever signal contract work is in progress.
 2. For closely adjoining projects, advance signing may not be required in advance of each intersection, but only in advance of the intersections at the project limits. Actual locations will be as directed by the Engineer.
 3. Advance signs shall be removed when signal construction operations are no longer under way, as directed by the Engineer.
 4. Warning sign spacing shown is typical for both directions.
 5. See the Table on sheet 1 of 2 for Typical warning sign spacing.

GENERAL NOTES FOR WORK ZONE SIGNS

1. Signs shall be installed and maintained in a straight and plumb condition.
2. Wooden sign posts shall be painted white.
3. Barricades shall NOT be used as sign supports.
4. Nails shall NOT be used to attach signs to any support.
5. All signs shall be installed in accordance with the plans or as directed by the Engineer.
6. The Contractor shall furnish the sign design shown in the plans or in the "Standard Highway Sign Designs for Texas" (SHSD).
7. The Contractor shall furnish sign supports and substrates listed in the "Compliant Work Zone Traffic Control Device List" (CWZTCD), installed as per the manufacturer's recommendations.
8. Temporary signs that have damaged or cracked substrates and/or damaged or marred reflective sheeting shall be replaced as directed by the Engineer.
9. Identification markings may be shown only on the back of the sign substrate. The maximum height of letters and/or company logos used for identification shall be 1".
10. Damaged wood posts shall be replaced. Splicing wood posts will not be allowed.

DURATION OF WORK

1. Work zone durations are defined in Part 6, Section 60.02 of the Texas Manual on Uniform Traffic Control Devices (TMUTCD).

SIGN MOUNTING HEIGHT

1. Sign height of Long-term/Intermediate-term warning signs shall be as shown on Figure 6F-1 of the TMUTCD.
2. Sign height of Short-term/Short Duration warning signs shall be as shown on Figure 6F-2 of the TMUTCD.
3. Regulatory signs shall be mounted at least 7 feet, but not more than 9 feet, above the paved surface regardless of work duration.

REMOVING OR COVERING

1. When sign messages may be confusing or do not apply, the signs shall be removed or completely covered, unless otherwise approved by the Engineer.
2. When signs are covered, the material used shall be opaque, such as heavy mil black plastic, or other materials which will cover the entire sign face and maintain their opaque properties under automobile headlights at night without damaging the sign sheeting. Burlap, or heavy materials such as plywood or aluminum shall not be used to cover signs.
3. Duct tape or other adhesive material shall NOT be affixed to a sign face.
4. Signs and anchor stubs shall be removed and holes back filled upon completion of the work.

REFLECTIVE SHEETING

1. All signs shall be retroreflective and constructed of sheeting meeting the requirements of the DMS and color usage table shown on this sheet.

SIGN SUPPORT WEIGHTS

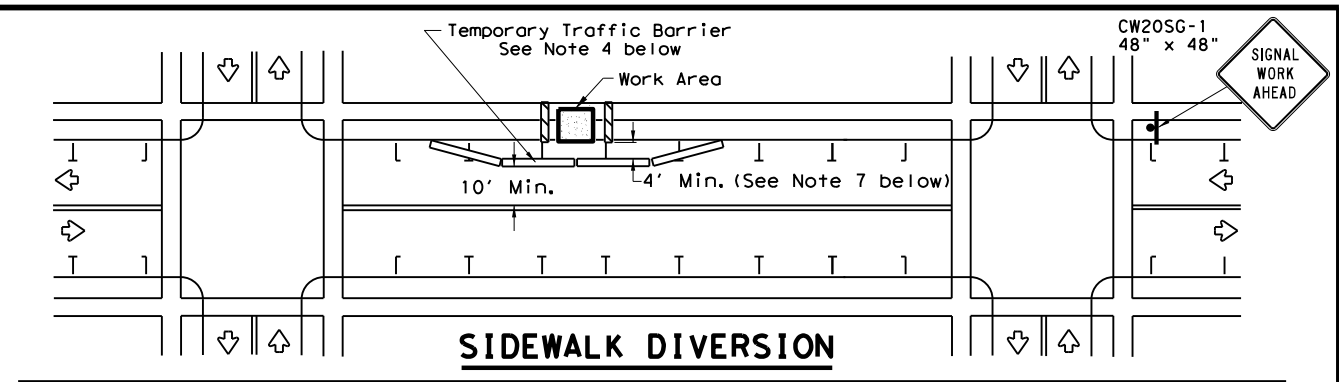
1. Weights used to keep signs from turning over should be sandbags filled with dry, cohesionless material.
2. The sandbags will be tied shut to keep the sand from spilling and to maintain a constant weight.
3. Rock, concrete, iron, steel or other solid objects will not be permitted for use as sign support weights.
4. Sandbags should weigh a minimum of 35 lbs and a maximum of 50 lbs.
5. Sandbags shall be made of a durable material that tears upon vehicular impact. Rubber, such as tire inner tubes, shall not be used.
6. Rubber ballasts designed for channelizing devices should not be used for ballast on portable sign supports. Sign supports designed and manufactured with rubber bases may be used when shown on the CWZTCD list.
7. Sandbags shall only be placed along or laid over the base supports of the traffic control device and shall not be suspended above ground level or hung with rope, wire, chains or other fasteners. Sandbags shall be placed along the length of the skids to weigh down the sign support.
8. Sandbags shall NOT be placed under the skid and shall not be used to level sign supports placed on slopes.

| LEGEND | |
|--------|----------------------|
| | Sign |
| | Channelizing Devices |
| | Type 3 Barricade |

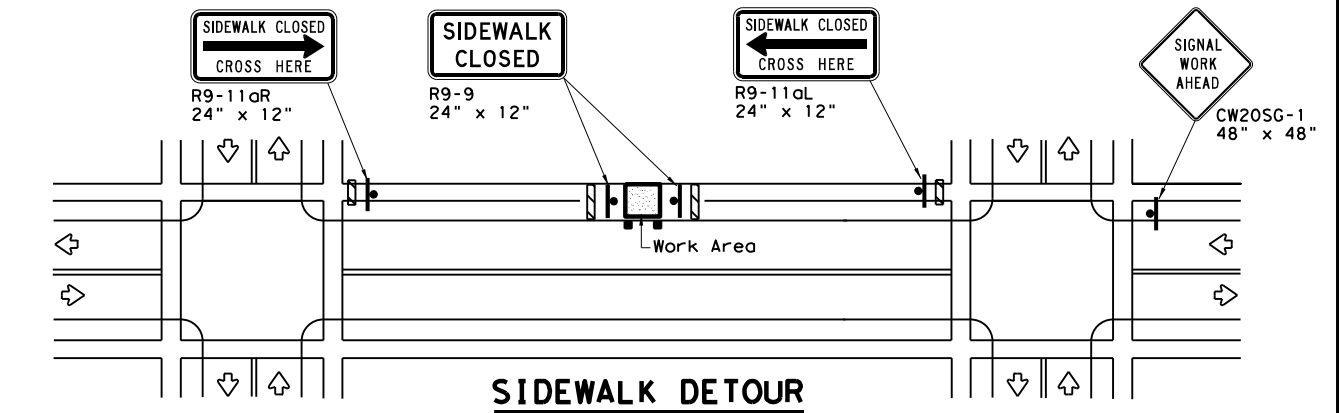
| DEPARTMENTAL MATERIAL SPECIFICATIONS | |
|--------------------------------------|----------|
| SIGN FACE MATERIALS | DMS-8300 |
| FLEXIBLE ROLL-UP REFLECTIVE SIGNS | DMS-8310 |

| COLOR | USAGE | SHEETING MATERIAL |
|--------|------------------|---|
| ORANGE | BACKGROUND | TYPE B _{FL} OR TYPE C _{FL} SHEETING |
| WHITE | BACKGROUND | TYPE A SHEETING |
| BLACK | LEGEND & BORDERS | ACRYLIC NON-REFLECTIVE SHEETING |

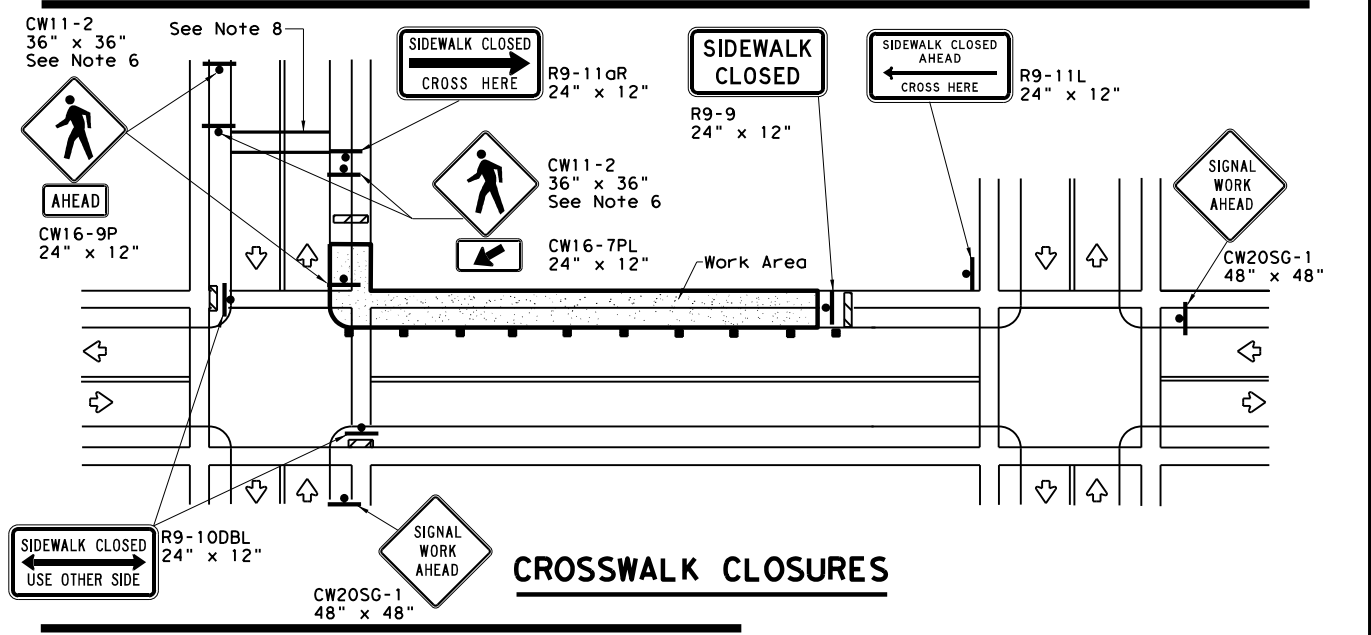
Only pre-qualified products shall be used. A copy of the "Compliant Work Zone Traffic Control Devices List" (CWZTCD) describes pre-qualified products and their sources and may be found at the following web address:
http://www.txdot.gov/txdot_library/publications/construction.htm



SIDEWALK DIVERSION



SIDEWALK DETOUR



CROSSWALK CLOSURES

PEDESTRIAN CONTROL

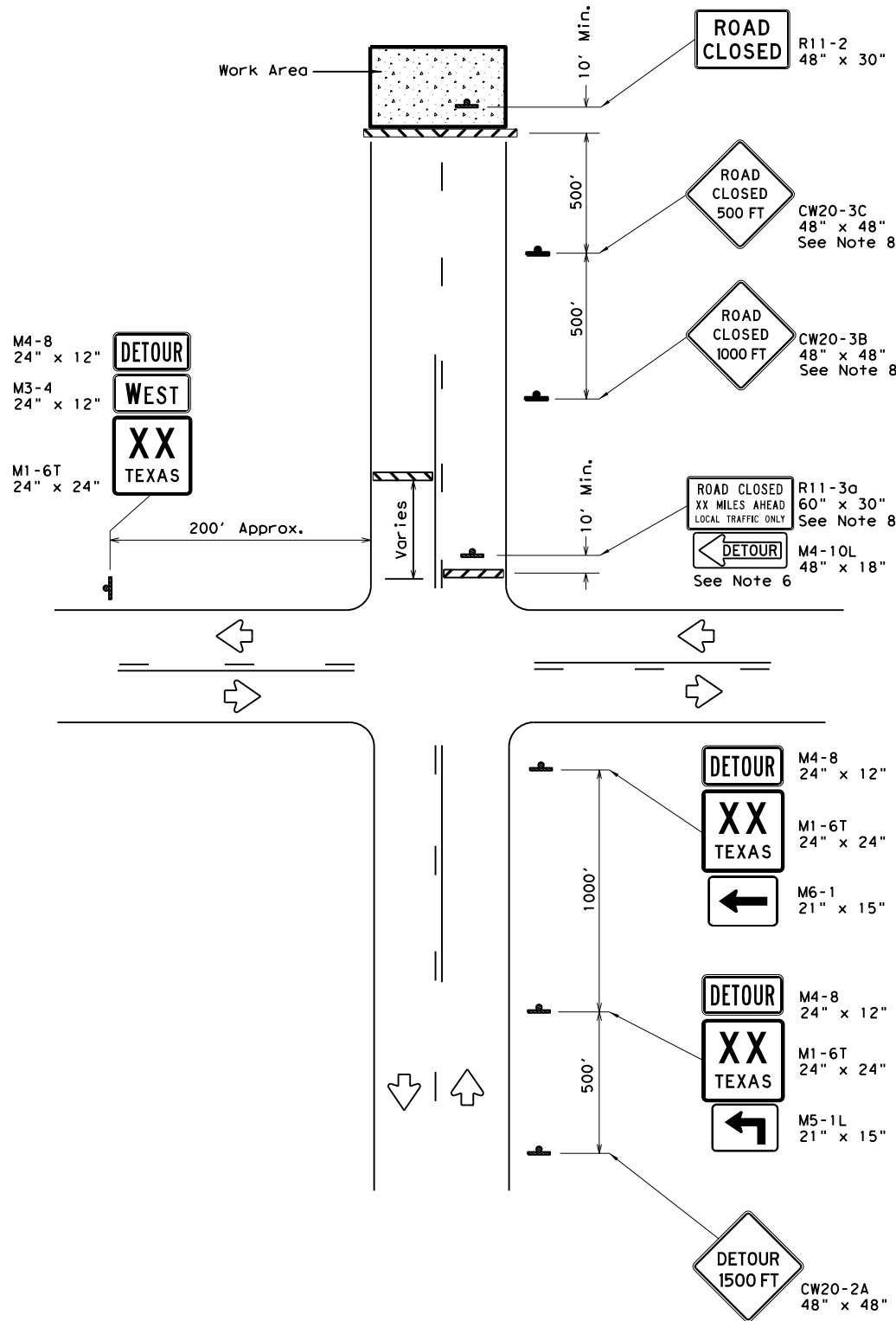
1. Holes, trenches or other hazards shall be adequately protected by covering, delineating or surrounding the hazard with orange plastic pedestrian fencing or longitudinal channelizing devices, or as directed by the Engineer.
2. "CROSSWALK CLOSURES" as detailed above will require the Engineer's approval prior to installation.
3. R9 series signs shown may be placed on supports detailed on the BC standards or CWZTCD list, or when fabricated from approved lightweight plastic substrates, they may be mounted on top of a plastic drum at or near the location shown.
4. For speeds less than 45 mph longitudinal channelizing devices may be used instead of traffic barriers when approved by the Engineer. Attenuation of blunt ends and installation of water filled devices shall be as per BC(9) and manufacturer's recommendations.
5. Location of devices are for general guidance. Actual device spacing and location must be field adjusted to meet actual conditions.
6. Where pedestrians with visual disabilities normally use the closed sidewalk Detectable Pedestrian Barricades should be used instead of the Type 3 Barricades shown.
7. The width of existing sidewalk should be maintained if practical.
8. Pavement markings for mid-block crosswalks shall be paid for under the appropriate bid items.
9. When crosswalks or other pedestrian facilities are closed or relocated, temporary facilities shall be detectable and shall include accessibility features consistent with the features present in the existing pedestrian facility.

SHEET 2 OF 2

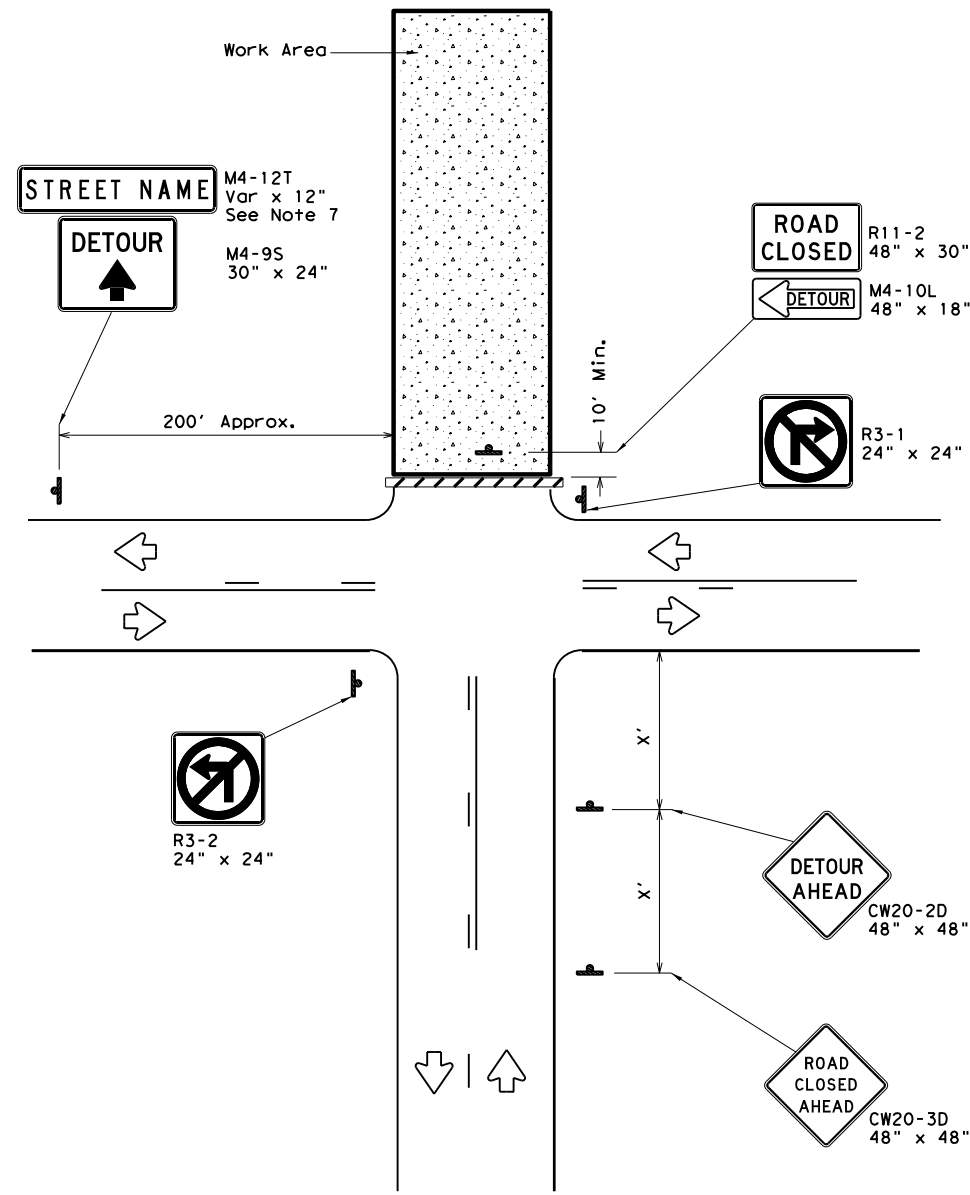
| | | | |
|---|-------------|--------------------------------------|-------|
| | | Traffic Operations Division Standard | |
| <h2>TRAFFIC SIGNAL WORK BARRICADES AND SIGNS</h2> | | | |
| <h3>WZ (BTS-2) - 13</h3> | | | |
| FILE: | wzbt-13.dgn | DN: | TxDOT |
| © TxDOT | April 1992 | CONT: | 0071 |
| REVISIONS: | | SECT: | 03 |
| | | JOB: | 042 |
| | | HIGHWAY: | US87 |
| 2-98 | 10-99 | 7-13 | |
| 4-98 | 3-03 | | |
| DIST: | AUS | COUNTY: | MASON |
| | | SHEET NO.: | 36 |

DISCLAIMER: The use of this standard is governed by the "Texas Engineering Practice Act". No warranty of any kind is made by TxDOT for any purpose whatsoever. TxDOT assumes no responsibility for the conversion of units or the use of this standard for purposes other than those intended by TxDOT.

DATE: 7/6/2021 11:19:06 AM
 FILE: I:\Design\AUS_0071-03-042_US87_Overlay From McCulloch CL to S of Kruse RB1.sxd



ROAD CLOSURE BEYOND THE INTERSECTION
 Signing for a Numbered Route with an Off-Site Detour



ROAD CLOSURE AT THE INTERSECTION
 Signing for an Un-numbered Route with an Off-Site Detour

| LEGEND | |
|--------|------------------|
| | Type 3 Barricade |
| | Sign |

| Posted Speed * | Minimum Sign Spacing "x" Distance |
|----------------|-----------------------------------|
| 30 | 120' |
| 35 | 160' |
| 40 | 240' |
| 45 | 320' |
| 50 | 400' |
| 55 | 500' |
| 60 | 600' |
| 65 | 700' |
| 70 | 800' |
| 75 | 900' |

* Conventional Roads Only

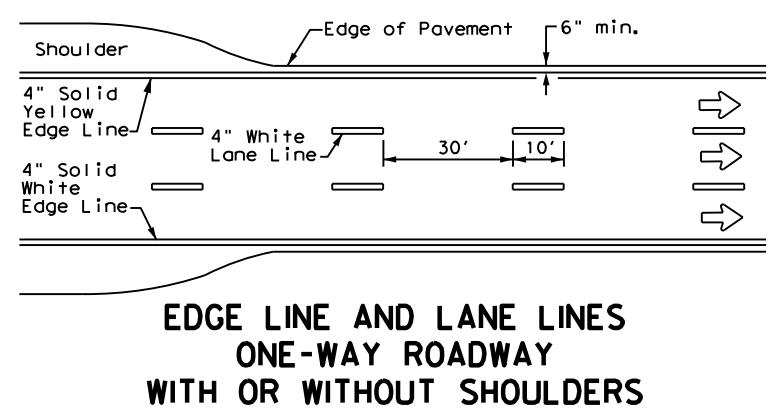
GENERAL NOTES

- This sheet is intended to provide details for temporary work zone road closures. For permanent road closure details see the D&OM standards.
- Barricades used shall meet the requirements shown on Barricade and Construction Standard BC(10) and listed on the Compliant Work Zone Traffic Control Devices list (CWZTCD).
- Stockpiled materials shall not be placed on the traffic side of barricades.
- Barricades at the road closure should extend from pavement edge to pavement edge.
- Detour signing shown is intended to illustrate the type of signing that is appropriate for numbered routes or un-numbered routes as labeled. It does not indicate the full extent of detour signing required. Detour routes should be signed as shown elsewhere in the plans.
- If the road is open for a significant distance beyond the intersection or there are significant origin/destination points beyond the intersection, the signs and barricades at this location should be located at the edge of the traveled way.
- The Street Name (M4-12T) sign is to be placed above the DETOUR (M4-9S) sign.
- For urban areas where there is a shorter distance between the intersection and the actual closure location, the ROAD CLOSED XX MILES AHEAD (R11-3a) sign may be replaced with a ROAD CLOSED TO THRU TRAFFIC (R11-4) sign. If adequate space does not exist between the intersection and the closure a single ROAD CLOSED AHEAD (CW20-3D) sign spaced as per the table above may replace the ROAD CLOSED 1000 FT (CW20-3B) and ROAD CLOSED 500 FT (CW20-3C) signs.
- Signs and barricades shown shall be subsidiary to Item 502. Locations where these details will be required shall be as shown elsewhere in the plans.

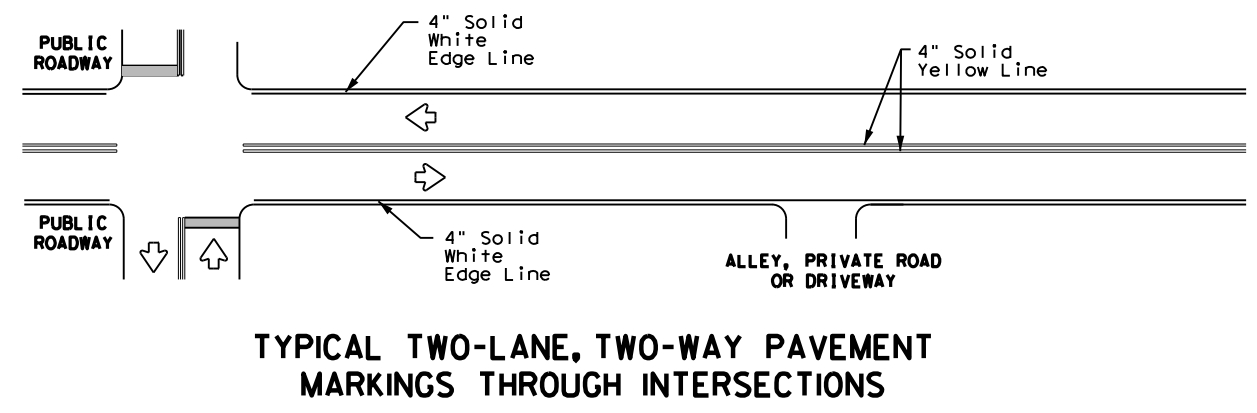
| | | | |
|---------------------------------------|-----------|--------------------------------------|-----------|
| | | Traffic Operations Division Standard | |
| WORK ZONE ROAD CLOSURE DETAILS | | | |
| WZ (RCD) - 13 | | | |
| FILE: wzrcd-13.dgn | DN: TxDOT | CK: TxDOT | OW: TxDOT |
| © TxDOT August 1995 | CONT | SECT | JOB |
| REVISIONS | 0071 | 03 | 042 |
| 1-97 4-98 7-13 | DIST | COUNTY | SHEET NO. |
| 2-98 3-03 | AUS | MASON | 37 |

DISCLAIMER: The use of this standard is governed by the "Texas Engineering Practice Act". No warranty of any kind is made by TxDOT for any purpose whatsoever. TxDOT assumes no responsibility for the conversion of units or for the accuracy of the information contained herein.

DATE: 7/6/2021 11:19:08 AM
 FILE: T:\Design\AUS_0071-03-042_US87_Overlay from McCullloch CL to S of Kruse Rd at Spring Branch Parkway



**EDGE LINE AND LANE LINES
ONE-WAY ROADWAY
WITH OR WITHOUT SHOULDERS**

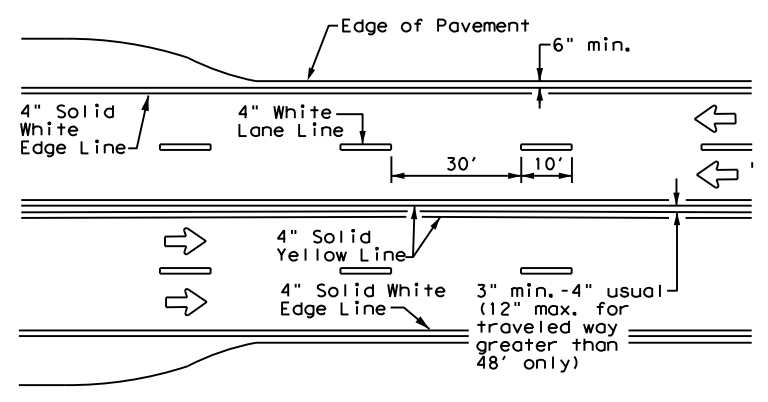


**TYPICAL TWO-LANE, TWO-WAY PAVEMENT
MARKINGS THROUGH INTERSECTIONS**

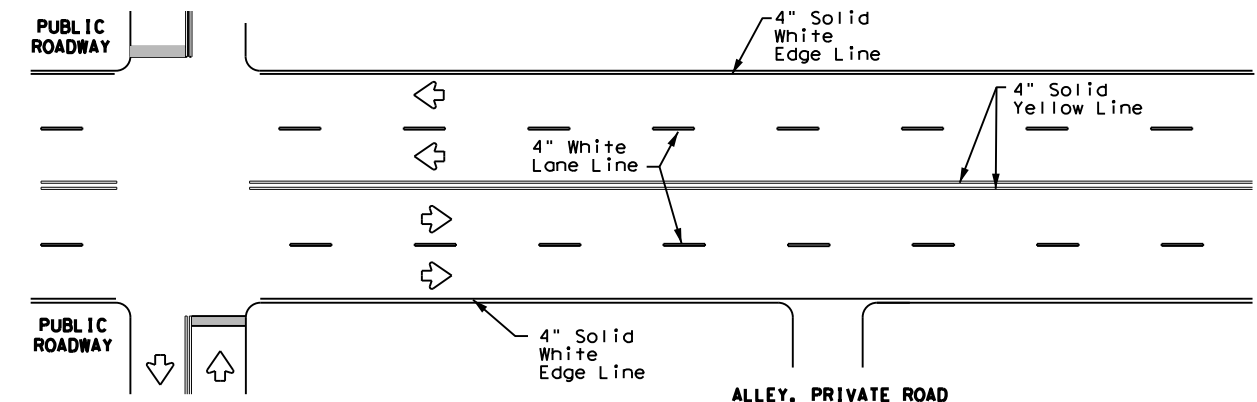
- GENERAL NOTES**
1. Edgeline striping shall be as shown in the plans or as directed by the Engineer. The edgeline should not be placed less than 6 inches from the edge of pavement. This distance may vary due to pavement raveling or other conditions. Edgelines are not required in curb and gutter sections of roadways.
 2. The traveled way includes only that portion of the roadway used for vehicular travel. It does not include the parking lanes, sidewalks, berms and shoulders. The traveled ways shall be measured from the inside of edgeline to the inside of edgeline of a two lane roadway.

| MATERIAL SPECIFICATIONS | |
|---|----------|
| PAVEMENT MARKERS (REFLECTORIZED) | DMS-4200 |
| EPOXY AND ADHESIVES | DMS-6100 |
| BITUMINOUS ADHESIVE FOR PAVEMENT MARKERS | DMS-6130 |
| TRAFFIC PAINT | DMS-8200 |
| HOT APPLIED THERMOPLASTIC | DMS-8220 |
| PERMANENT PREFABRICATED PAVEMENT MARKINGS | DMS-8240 |

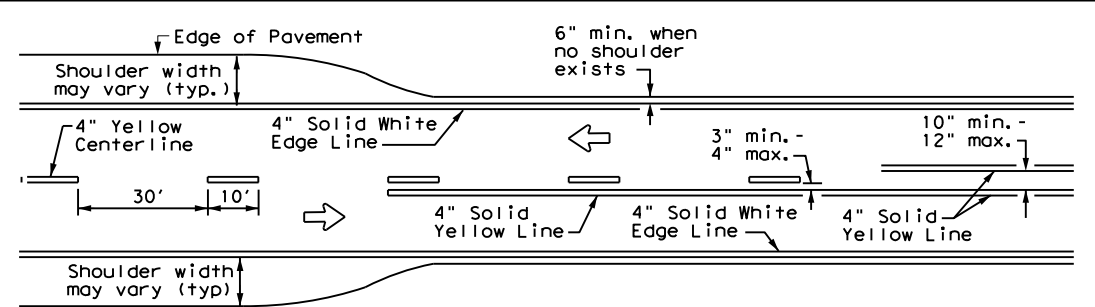
All pavement marking materials shall meet the required Departmental Material Specifications as specified by the plans.



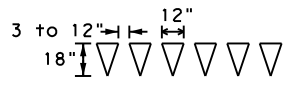
**CENTERLINE AND LANE LINES
FOUR LANE TWO-WAY ROADWAY
WITH OR WITHOUT SHOULDERS**



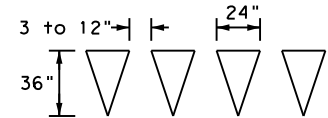
**TYPICAL MULTI-LANE, TWO-WAY PAVEMENT
MARKINGS THROUGH INTERSECTIONS**



**TWO LANE TWO-WAY ROADWAY
WITH OR WITHOUT SHOULDERS**

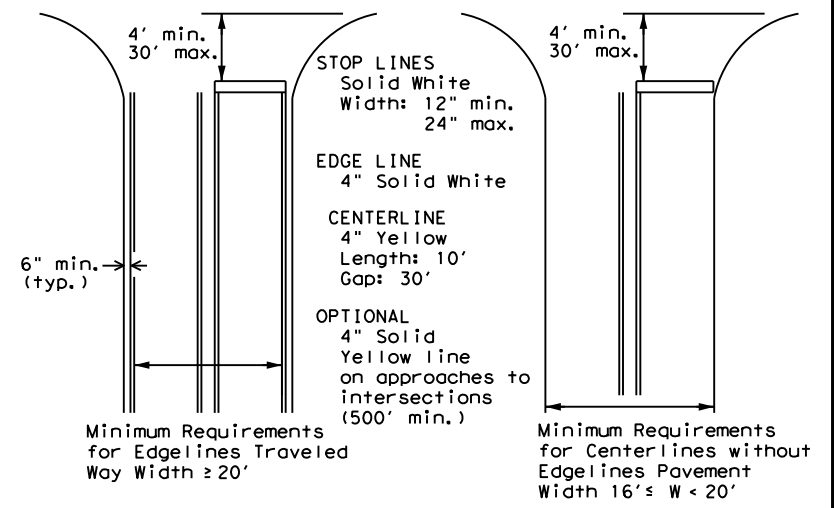


For posted speed on road being marked equal to or less than 40 MPH.

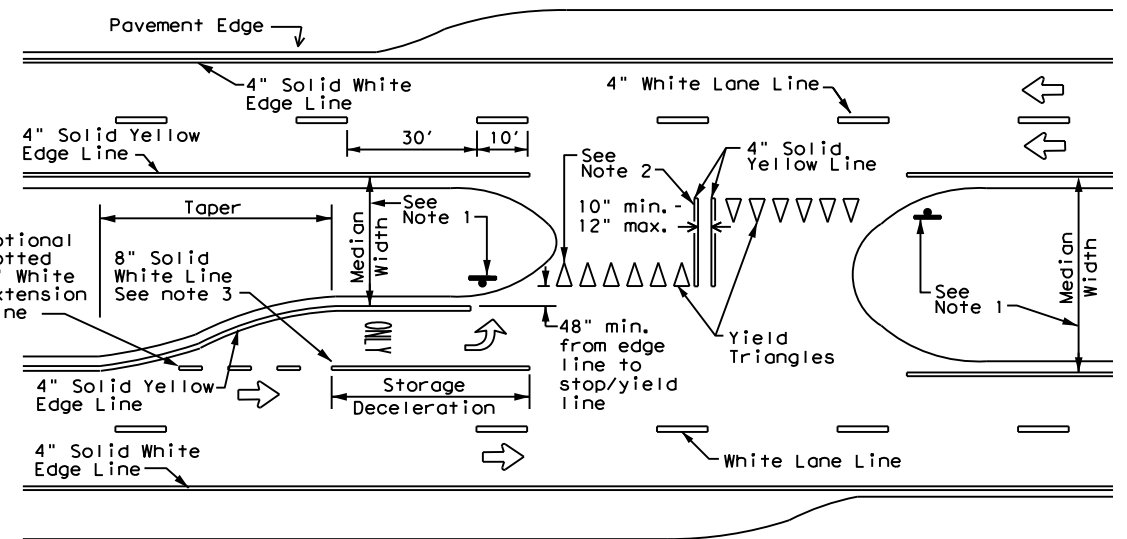


For posted speed on road being marked equal to or greater than 45 MPH.

YIELD LINES



**GUIDE FOR PLACEMENT OF STOP LINES,
EDGE LINE & CENTERLINE**
Based on Traveled Way and Pavement Widths
for Undivided Highways



FOUR LANE DIVIDED ROADWAY CROSSOVERS

- NOTES**
1. Where divided highways are separated by median widths at the median opening itself of 30 feet or more, median openings shall be signed as two separate intersections. Each median opening has two width measurements, with one measurement for each approach. The narrow median width will be the controlling width to determine if signs are required. Yield signs are the typical intersection control. Stop signs are optional as determined by the Engineer.
 2. Install median striping (double yellow centerlines and stop bars/yield triangles) when a 50' or greater median centerline can be placed. Stop bars shall only be used with stop signs. Yield triangles shall only be used with yield signs.
 3. Length of turn bays, including taper, deceleration, and storage lengths shall be as shown in the plans or as directed by the Engineer.

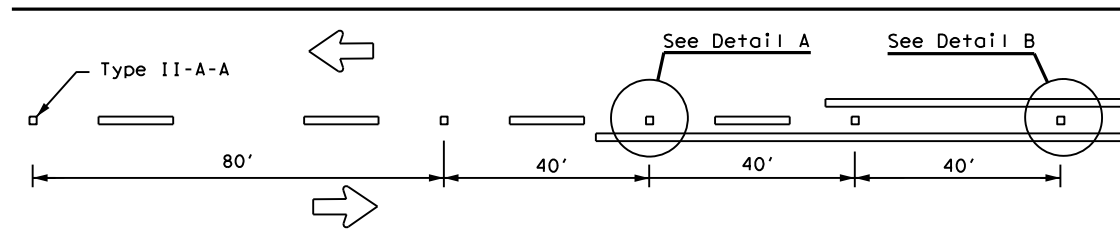
**TYPICAL STANDARD
PAVEMENT MARKINGS**

PM(1) - 20

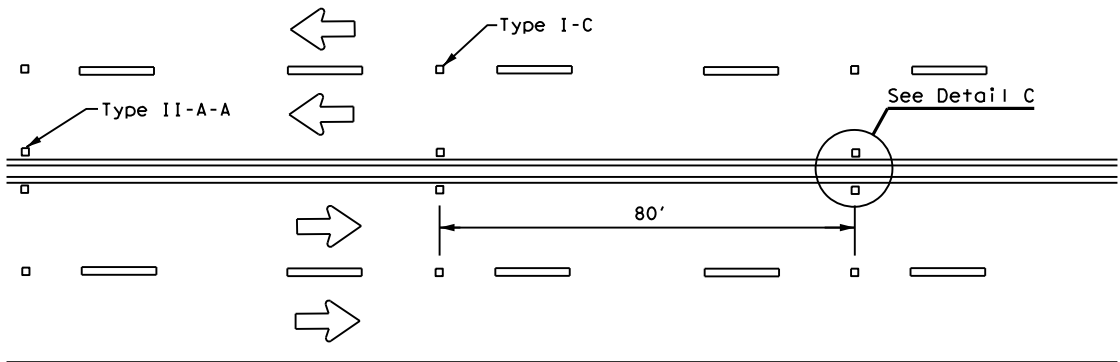
| | | | | |
|-----------------------|------|--------|-----------|---------|
| FILE: pm1-20.dgn | DN: | CK: | DW: | CK: |
| © TxDOT November 1978 | CONT | SECT | JOB | HIGHWAY |
| 8-95 3-03 REVISIONS | 0071 | 03 | 042 | US87 |
| 5-00 2-12 | DIST | COUNTY | SHEET NO. | |
| 8-00 6-20 | AUS | MASON | 38 | |

REFLECTIVE RAISED PAVEMENT MARKERS FOR VEHICLE POSITIONING GUIDANCE

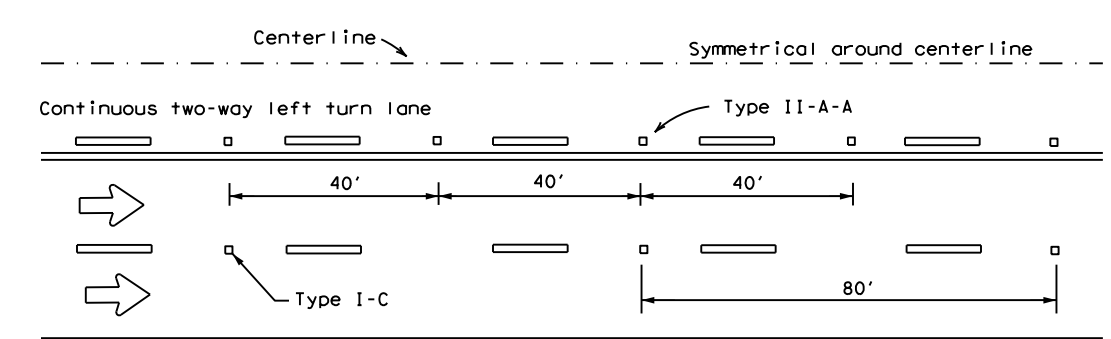
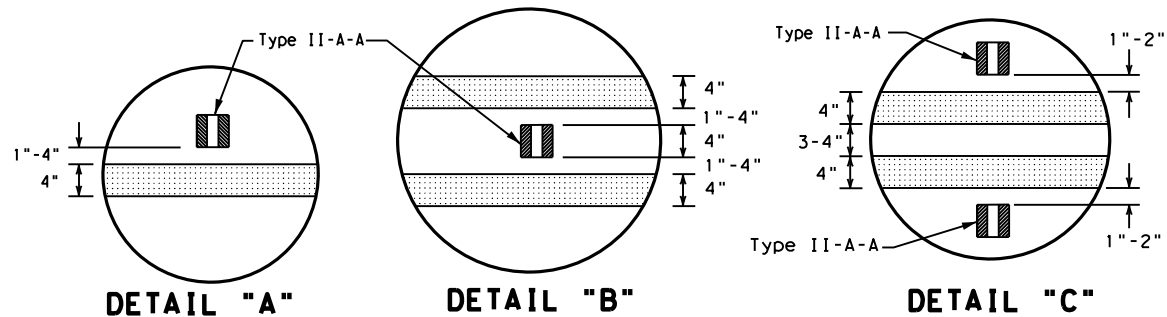
DISCLAIMER: The use of this standard is governed by the "Texas Engineering Practice Act". No warranty of any kind is made by TxDOT for any purpose whatsoever. TxDOT assumes no responsibility for the conversion of units or for the use of this standard for purposes other than those intended.



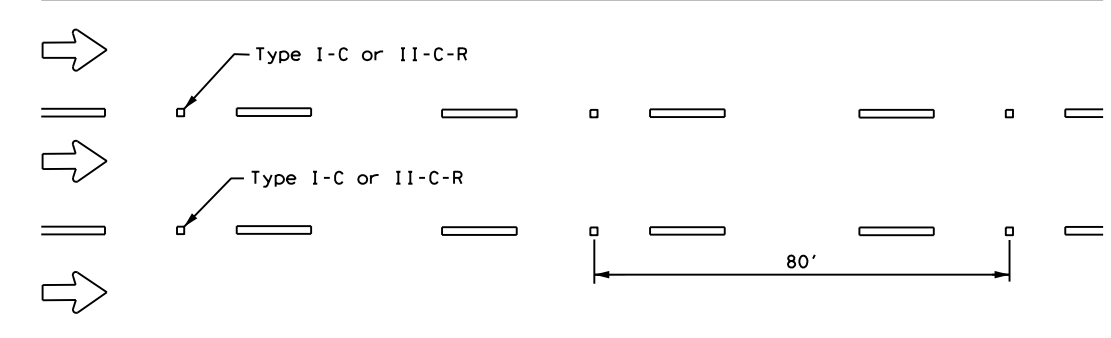
CENTERLINE FOR ALL TWO LANE ROADWAYS



**CENTERLINE & LANE LINES
FOR FOUR LANE TWO-WAY HIGHWAYS**



CENTERLINE AND LANE LINES FOR TWO-WAY LEFT TURN LANE

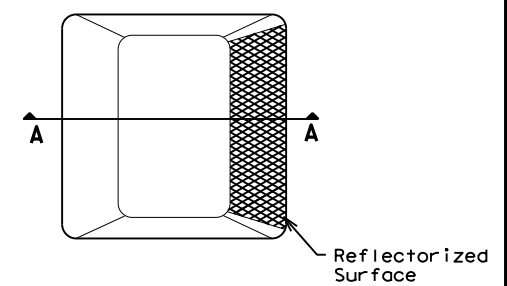


LANE LINES FOR ONE-WAY ROADWAY (NON-FREEWAY FACILITIES)

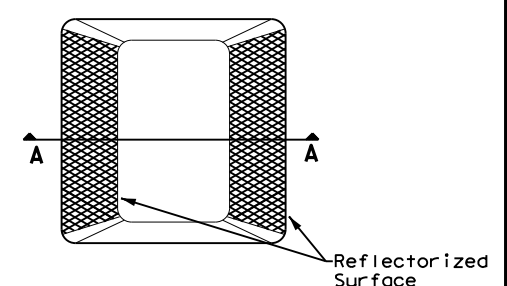
Raised pavement markers Type II-C-R shall have clear face toward normal traffic and red face toward wrong-way traffic.

| MATERIAL SPECIFICATIONS | |
|---|----------|
| PAVEMENT MARKERS (REFLECTORIZED) | DMS-4200 |
| EPOXY AND ADHESIVES | DMS-6100 |
| BITUMINOUS ADHESIVE FOR PAVEMENT MARKERS | DMS-6130 |
| TRAFFIC PAINT | DMS-8200 |
| HOT APPLIED THERMOPLASTIC | DMS-8220 |
| PERMANENT PREFABRICATED PAVEMENT MARKINGS | DMS-8240 |

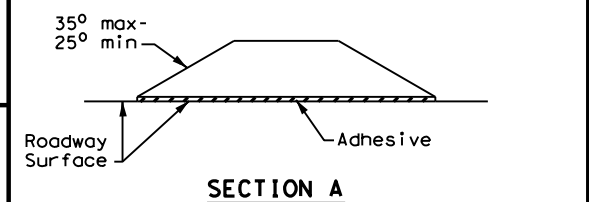
All pavement marking materials shall meet the required Departmental Material Specifications as specified by the plans.



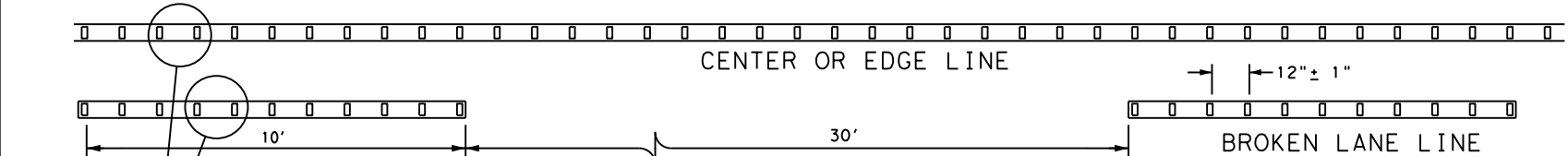
Type I (Top View)



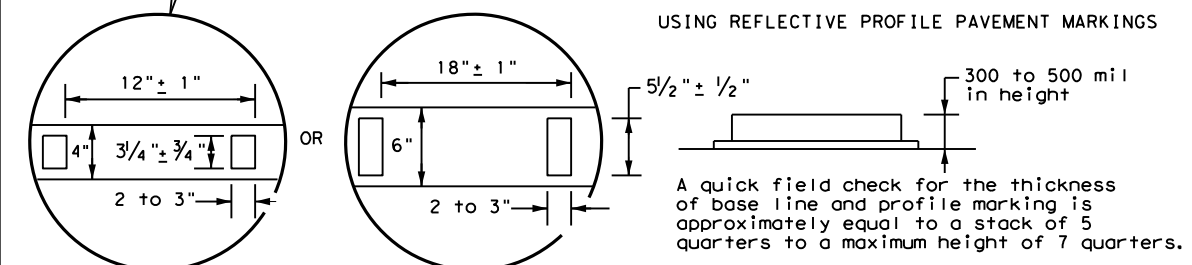
Type II (Top View)



RAISED PAVEMENT MARKERS



**REFLECTORIZED PROFILE
PATTERN DETAIL**
USING REFLECTIVE PROFILE PAVEMENT MARKINGS



NOTE
Profile markings shall not be placed on roadways with a posted speed limit of 45 MPH or less.

GENERAL NOTES

- All raised pavement markers placed in broken lines shall be placed in line with and midway between the stripes.
- On concrete pavements the raised pavement markers should be placed to one side of the longitudinal joints.

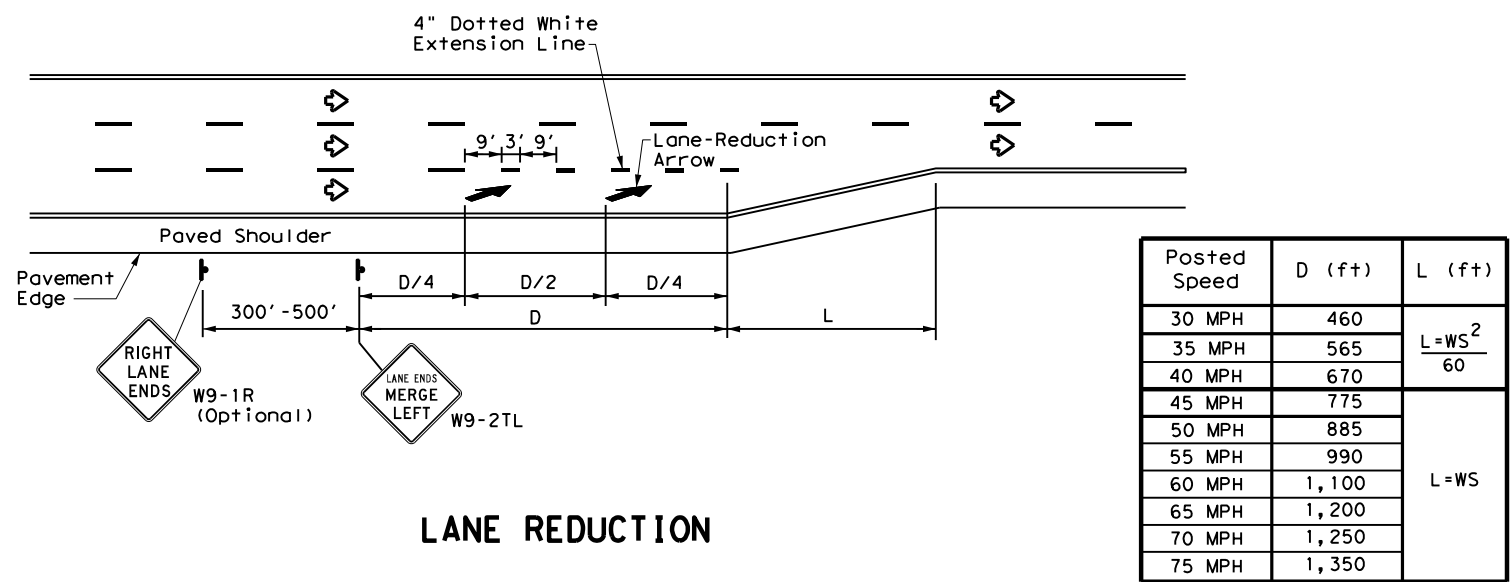


**POSITION GUIDANCE USING
RAISED MARKERS
REFLECTORIZED PROFILE
MARKINGS
PM(2) - 20**

| | | | | |
|---------------------|------|--------|-----------|---------|
| FILE: pm2-20.dgn | DN: | CK: | DW: | CK: |
| © TxDOT April 1977 | CONT | SECT | JOB | HIGHWAY |
| 4-92 2-10 REVISIONS | 0071 | 03 | 042 | US87 |
| 5-00 2-12 | DIST | COUNTY | SHEET NO. | |
| 8-00 6-20 | AUS | MASON | 39 | |

DISCLAIMER: The use of this standard is governed by the "Texas Engineering Practice Act". No warranty of any kind is made by TxDOT for any purpose whatsoever. TxDOT assumes no responsibility for the conversion of units or for the use of this standard in any manner other than that intended by the original author.

DATE: 7/6/2021 11:19:11 AM
 FILE: T:\Design\AUS_0071-03-042_US87_Overlay From McCullloch CL to S of Kruse Rd at Spring Branch Parkway.dwg



| Posted Speed | D (ft) | L (ft) |
|--------------|--------|-----------------------|
| 30 MPH | 460 | $L = \frac{WS^2}{60}$ |
| 35 MPH | 565 | |
| 40 MPH | 670 | L = WS |
| 45 MPH | 775 | |
| 50 MPH | 885 | |
| 55 MPH | 990 | |
| 60 MPH | 1,100 | |
| 65 MPH | 1,200 | |
| 70 MPH | 1,250 | |
| 75 MPH | 1,350 | |

LANE REDUCTION

NOTES

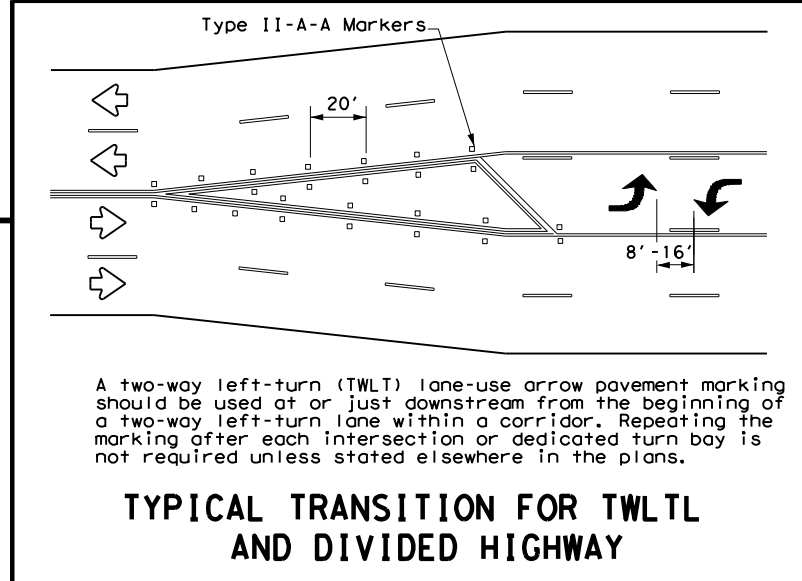
- Lane reduction pavement markings are used where the number of through lanes is reduced because of narrowing of the roadway or because of a section of on-street parking in what would otherwise be a through lane. For Texas Super 2 Passing Lanes, see TS2(PL) standard sheets.
- On divided highways, an additional W9-1R "RIGHT LANE ENDS" sign may be installed in the median aligned with the W9-1R sign on the right side of the highway.
- Lane reduction arrows are required for speeds of 45 mph or greater. An optional third lane reduction arrow may be added based on engineering judgement. If used, the optional third lane reduction arrow should be centered between the first and last lane reduction arrows.
- For lane reductions on Freeways and Expressways, signing shall conform to the TxDOT Freeway Signing Handbook.

GENERAL NOTES

- Lane use word and arrow markings shall be used where through lanes approaching an intersection become mandatory turn lanes. Lane use word and arrow markings should be used in auxiliary lanes of substantial length. Lane use arrow markings or word and arrow markings may be used in other lanes and turn bays for emphasis. Details for words and arrows are as shown in the Standard Highway Sign Designs for Texas.
- When lane-use words and arrow markings are used, two sets of arrows should be used if the length of the bay is greater than 180 feet. When a single lane use arrow or word and arrow marking is used for a short turn lane, it should be located at or near the upstream end of the full-width turn lane.
- Use raised pavement marker Type I-C with undivided highways, flush medians and two way left turn lanes. Use raised pavement marker Type II-C-R with divided highways and raised medians.
- Length of turn bays, including taper, deceleration, and storage lengths shall be as shown on the plans or as directed by the Engineer.

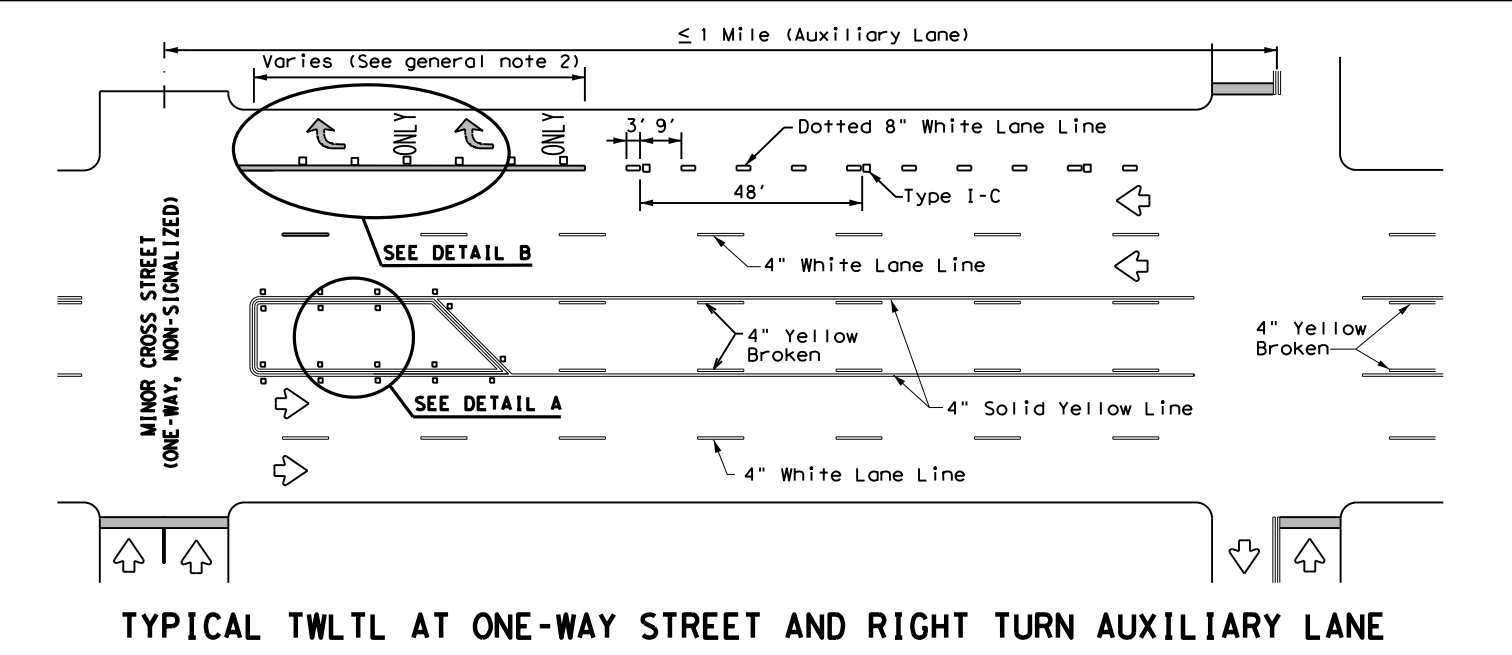
| MATERIAL SPECIFICATIONS | |
|---|----------|
| PAVEMENT MARKERS (REFLECTORIZED) | DMS-4200 |
| EPOXY AND ADHESIVES | DMS-6100 |
| BITUMINOUS ADHESIVE FOR PAVEMENT MARKERS | DMS-6130 |
| TRAFFIC PAINT | DMS-8200 |
| HOT APPLIED THERMOPLASTIC | DMS-8220 |
| PERMANENT PREFABRICATED PAVEMENT MARKINGS | DMS-8240 |

All pavement marking materials shall meet the required Departmental Material Specifications as specified by the plans.

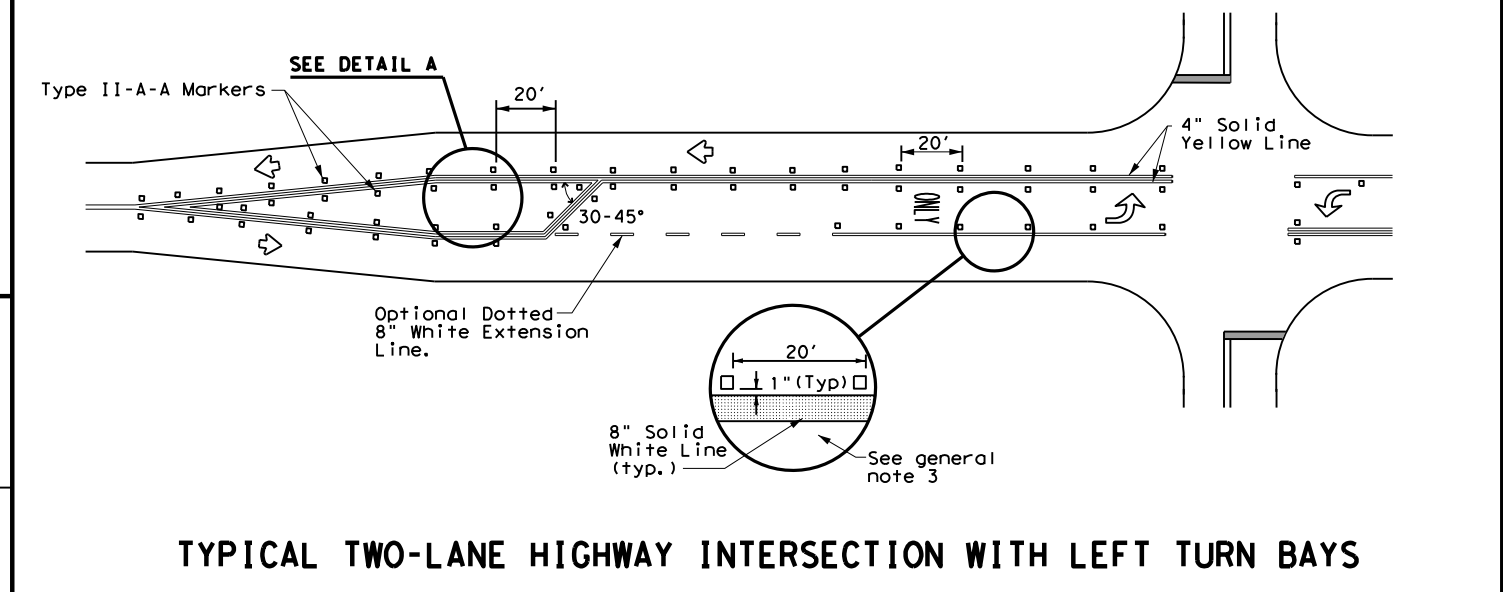


TYPICAL TRANSITION FOR TWLTL AND DIVIDED HIGHWAY

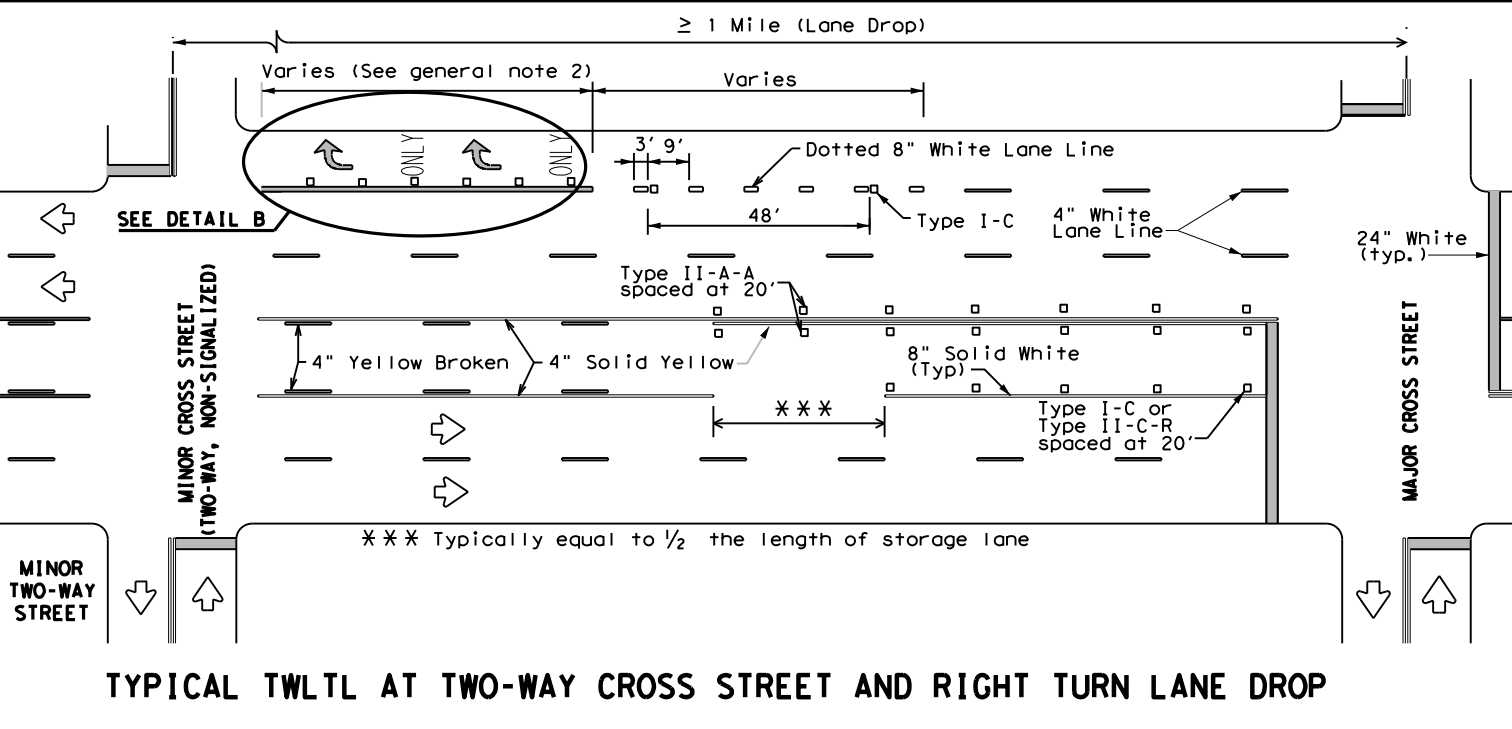
A two-way left-turn (TWLTL) lane-use arrow pavement marking should be used at or just downstream from the beginning of a two-way left-turn lane within a corridor. Repeating the marking after each intersection or dedicated turn bay is not required unless stated elsewhere in the plans.



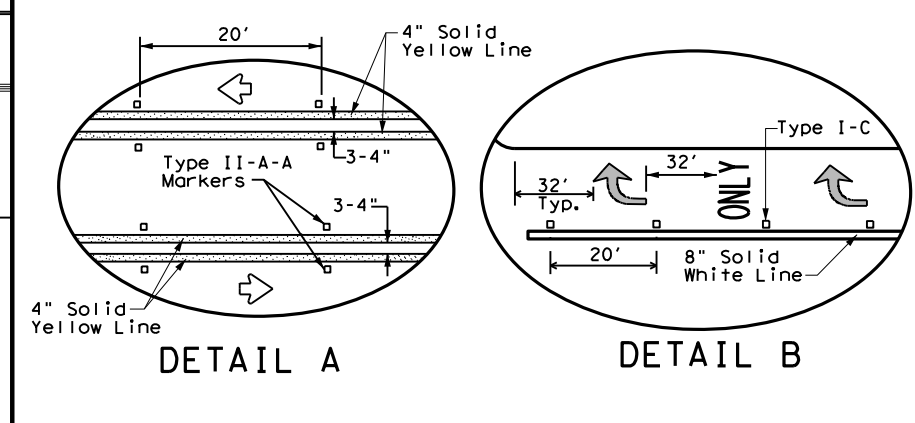
TYPICAL TWLTL AT ONE-WAY STREET AND RIGHT TURN AUXILIARY LANE



TYPICAL TWO-LANE HIGHWAY INTERSECTION WITH LEFT TURN BAYS



TYPICAL TWLTL AT TWO-WAY CROSS STREET AND RIGHT TURN LANE DROP



DETAIL A

DETAIL B

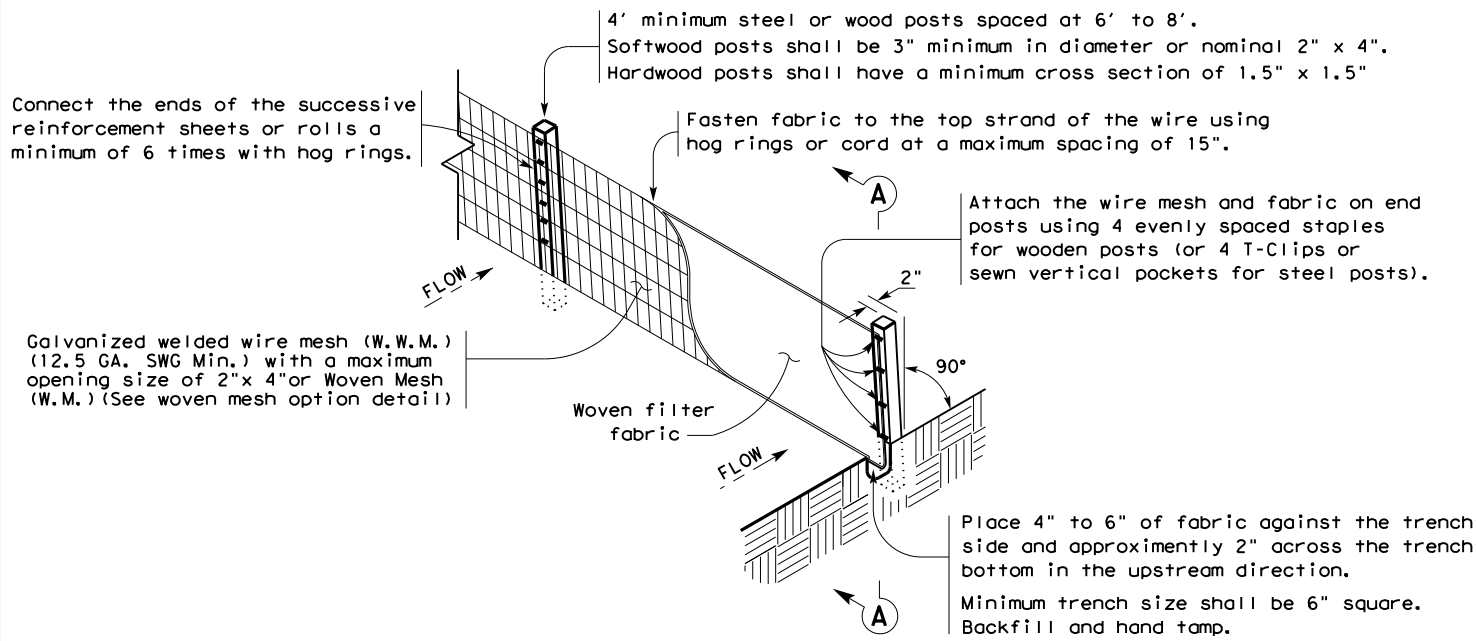
Texas Department of Transportation
 Traffic Safety Division Standard

TWO-WAY LEFT TURN LANES, RURAL LEFT TURN BAYS, AND LANE REDUCTION PAVEMENT MARKINGS PM(3) - 20

| | | | | |
|--------------------|------|--------|-----------|---------|
| FILE: pm3-20.dgn | DN: | CK: | DW: | CK: |
| © TxDOT April 1998 | CONT | SECT | JOB | HIGHWAY |
| REVISIONS | 0071 | 03 | 042 | US87 |
| 5-00 2-10 | DIST | COUNTY | SHEET NO. | |
| 8-00 2-12 | AUS | MASON | 40 | |
| 3-03 6-20 | | | | |

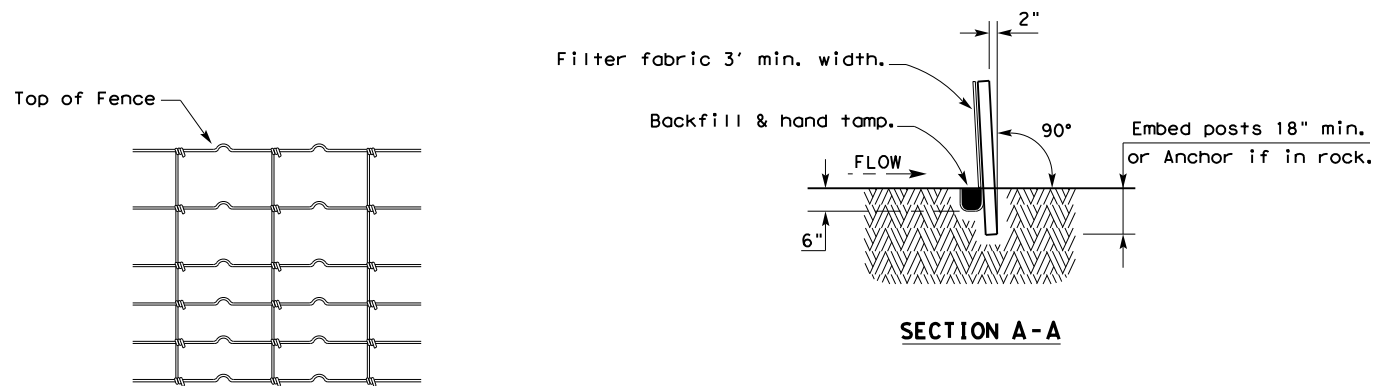
DISCLAIMER: The use of this standard is governed by the "Texas Engineering Practice Act". No warranty of any kind is made by TxDOT for any purpose whatsoever. TxDOT assumes no responsibility for the conversion of this standard to other formats or for incorrect results or damages resulting from its use.

70672021
 T:\Design\AUS_0071-03-042_US87_Overlay from McCullloch Cl to S of Kruse Rd.v4 - Design\Plan Set\1. General\STANDARD DGN\041_EC(1)-16.dgn



TEMPORARY SEDIMENT CONTROL FENCE

SCF



HINGE JOINT KNOT WOVEN MESH (OPTION) DETAIL

Galvanized hinge joint knot woven mesh (12.5 GA. SWG Min.) requires a minimum of five horizontal wires spaced at a maximum of 12 inches apart and all vertical wires spaced at a maximum of 12 inches apart.

SEDIMENT CONTROL FENCE USAGE GUIDELINES

A sediment control fence may be constructed near the downstream perimeter of a disturbed area along a contour to intercept sediment from overland runoff. A 2 year storm frequency may be used to calculate the flow rate to be filtered.

Sediment control fence should be sized to filter a maximum flow through rate of 100 GPM/FT². Sediment control fence is not recommended to control erosion from a drainage area larger than 2 acres.

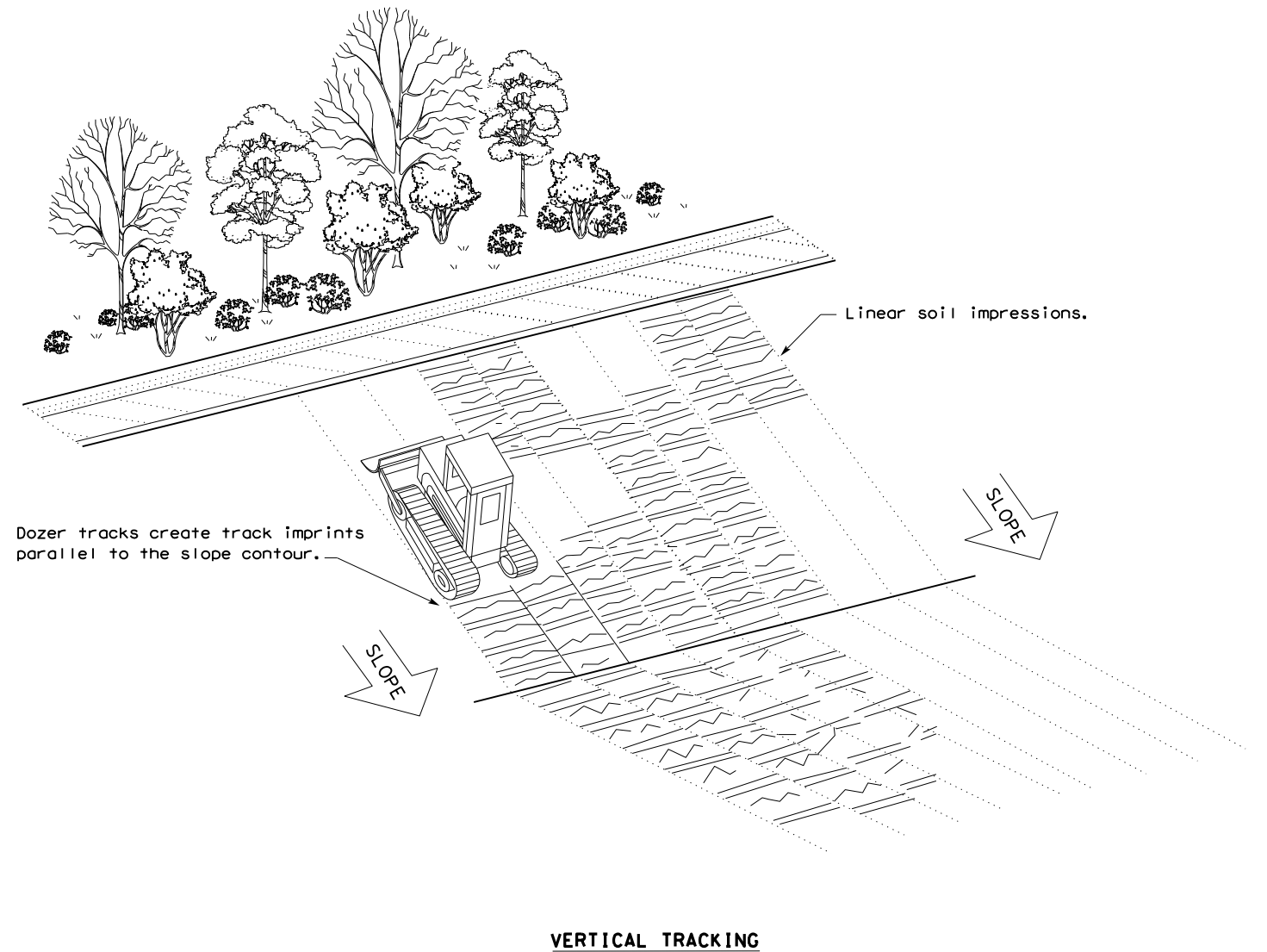
LEGEND

Sediment Control Fence

SCF

GENERAL NOTES

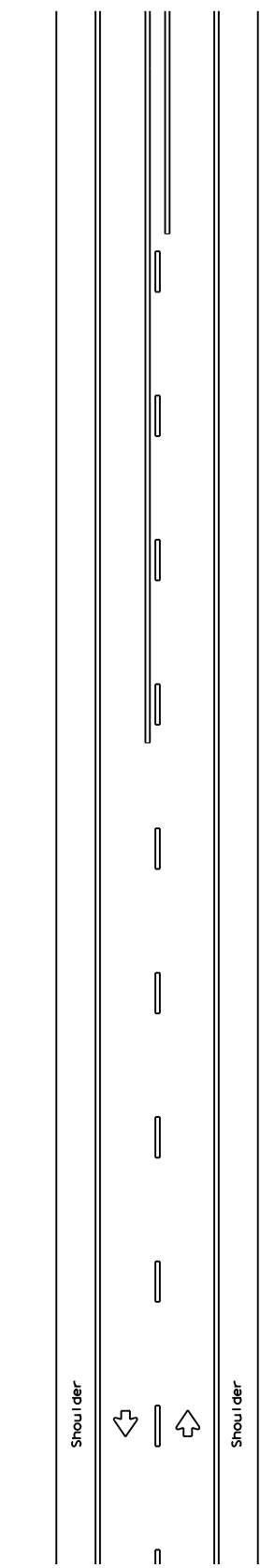
1. Vertical tracking is required on projects where soil distributing activities have occurred unless otherwise approved.
2. Perform vertical tracking on slopes to temporarily stabilize soil.
3. Provide equipment with a track undercarriage capable of producing linear soil impressions measuring a minimum of 12" in length by 2" to 4" in width by 1/2" to 2" in depth.
4. Do not exceed 12" between track impressions.
5. Install continuous linear track impressions where the minimum 12" length impressions are perpendicular to the slope or direction of water flow.



| | | | | | |
|--|-----------|--------|-----------|--------------------------|--|
| | | | | Design Division Standard | |
| TEMPORARY EROSION, SEDIMENT AND WATER POLLUTION CONTROL MEASURES FENCE & VERTICAL TRACKING EC(1)-16 | | | | | |
| FILE: ec116 | DN: TxDOT | CK: KM | DW: VP | DN/CK: LS | |
| © TxDOT: JULY 2016 | CONT | SECT | JOB | HIGHWAY | |
| REVISIONS | 0071 | 03 | 042 | US87 | |
| | DIST | COUNTY | SHEET NO. | | |
| | AUS | MASON | 41 | | |

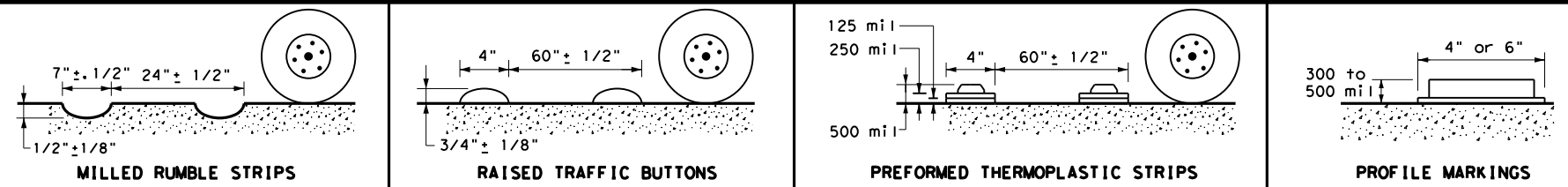
DISCLAIMER: The use of this standard is governed by the "Texas Engineering Practice Act". No warranty of any kind is made by TxDOT for any purpose whatsoever. TxDOT assumes no responsibility for the conversion of units or the accuracy of the information presented herein. For more information, contact the Texas Department of Transportation, 1701 North St. Louis, Austin, Texas 78761-1301.

DATE: 7/6/2021 11:19:15 AM
 FILE: I:\Design\AUS_0071-03-042_US87_Overlay_From_McCullloch_CL_to_S_of_Kruse_Rt.1.dwg

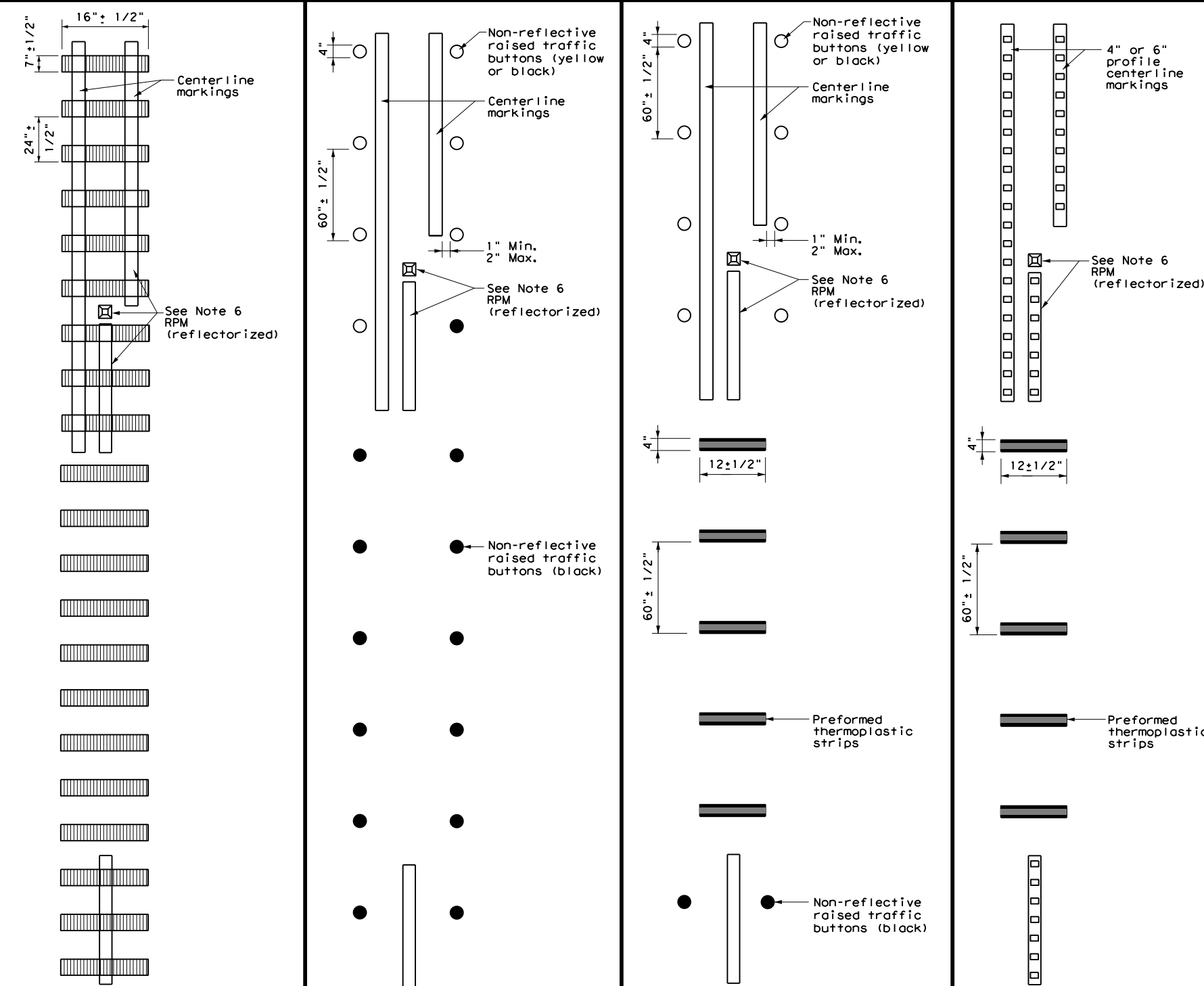


TWO LANE TWO-WAY ROADWAYS

CENTERLINE RUMBLE STRIPS



PROFILE VIEW



PLAN VIEW OPTION 1

MILLED CENTERLINE RUMBLE STRIPS

PLAN VIEW OPTION 2

RAISED CENTERLINE RUMBLE STRIPS

PLAN VIEW OPTION 3


RAISED CENTERLINE RUMBLE STRIPS AND PREFORMED THERMOPLASTIC STRIPS

PLAN VIEW OPTION 4

PROFILE CENTERLINE MARKINGS AND PREFORMED THERMOPLASTIC STRIPS

GENERAL NOTES

- This standard sheet provides guidelines for installing centerline rumble strips on two-lane highways with or without shoulders.
 - Centerline and edgeline rumble strips or profile markings shall not be placed on roadways with a posted speed limit of 45 MPH or less.
 - Milled rumble strips are preferred when adequate pavement depth is available. If pavement thickness is less than 2 inches, milled rumble strips shall not be used. Rumble strips shall not be milled or depressed into bridge decks.
 - See dimensions for milled rumble strips. Other shapes and dimensions may be used if approved by the Traffic Operations Division.
 - Breaks in milled centerline rumble strips shall occur at least 50 feet and no more than 150 feet in advance of bridges, railroad crossings, intersections and driveways with high usage of large trucks.
 - Use Standard Sheet PM(2) for positioning, dimensioning, and spacing of all reflective raised pavement markers, and dimensions pavement markings and profile markings.
 - Consideration should be given to noise levels when centerline rumble strips are installed near residential areas, schools, churches, etc. A minimum of 3/8 inch depth of milled rumble strip may be considered in these areas.
 - Pavement markings must be applied over milled centerline rumble strips.
- WHEN INSTALLING CENTERLINE RUMBLE STRIPS:**
- Raised rumble strips consisting of non-reflective raised traffic buttons may be used. Non-reflective raised traffic buttons can be affixed to asphalt or concrete with bitumen or adhesives, as per manufacturer's recommendations.
 - When using non-reflective raised traffic buttons as a centerline rumble strip, the button shall be placed adjacent to the pavement marking delineating the centerline. The buttons will be paid for under Item 672, "Raised Pavement Markers." Non-reflective traffic buttons must meet the requirements of DMS-4300.
 - The color of the button should be yellow for a continuous no passing roadway. Black buttons should be used in areas where passing is allowed.
- WHEN INSTALLING EDGELINE RUMBLE STRIPS WITH OR WITHOUT CENTERLINE RUMBLE STRIPS ON UNDIVIDED HIGHWAYS:**
- See standard sheet RS(4).


 Texas Department of Transportation
 Traffic Operations Division Standard

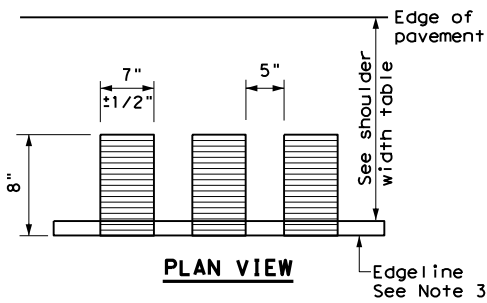
CENTERLINE RUMBLE STRIPS ON TWO LANE TWO-WAY HIGHWAYS

RS(3) - 13

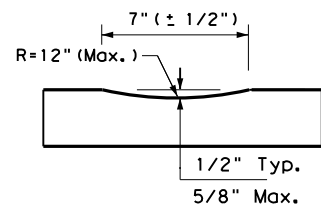
| | | | | |
|----------------------|-----------|-----------|-----------|-----------|
| FILE: r's(3)-13.dgn | DW: TxDOT | CK: TxDOT | DW: TxDOT | CK: TxDOT |
| © TxDOT October 2013 | CONT | SECT | JOB | HIGHWAY |
| REVISIONS | 0071 | 03 | 042 | US87 |
| | DIST | COUNTY | SHEET NO. | |
| | AUS | MASON | 42 | |

DISCLAIMER: The use of this standard is governed by the "Texas Engineering Practice Act". No warranty of any kind is made by TxDOT for any purpose whatsoever. TxDOT assumes no responsibility for the conversion of units or for the accuracy of the information presented herein. For more information, contact the Texas Department of Transportation, Engineering Services Division, 1701 North Loop West, Austin, Texas 78761-1399. (512) 463-1399. TxDOT reserves the right to change this standard without notice.

DATE: 7/6/2021 11:19:17 AM
 FILE: I:\Design\AUS_0071-03-042_US87_Overlay From McCullloch CL to S of Kruse RB1 at 5th Street

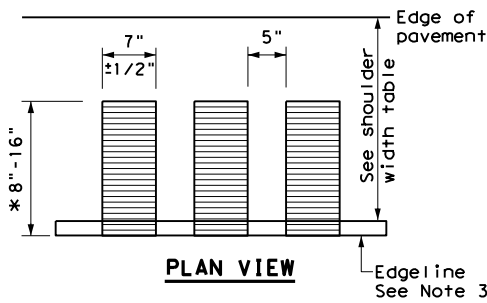


PLAN VIEW

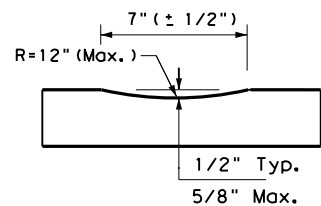


PROFILE VIEW
OPTION 1

CONTINUOUS MILLED DEPRESSIONS (Rumble Strips)

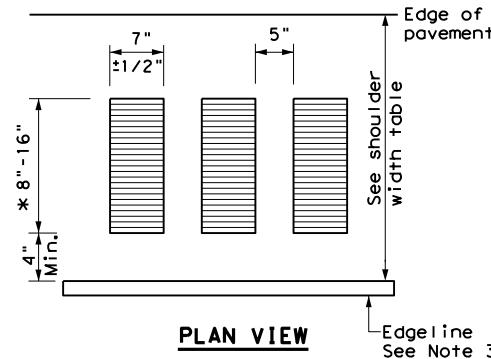


PLAN VIEW



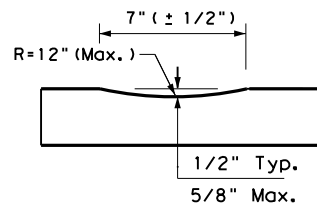
PROFILE VIEW
OPTION 2

CONTINUOUS MILLED DEPRESSIONS (Rumble Strips)



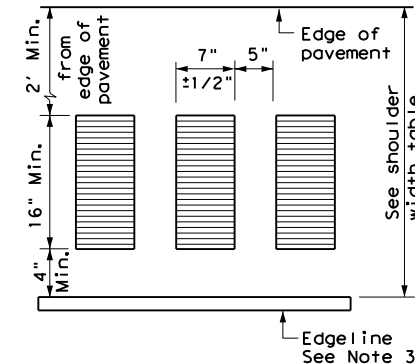
PLAN VIEW

* This distance may vary based on width of shoulder

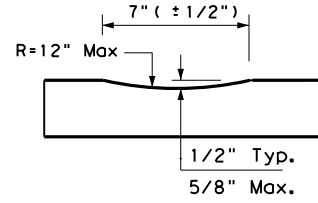


PROFILE VIEW
OPTION 3

CONTINUOUS MILLED DEPRESSIONS (Rumble Strips)

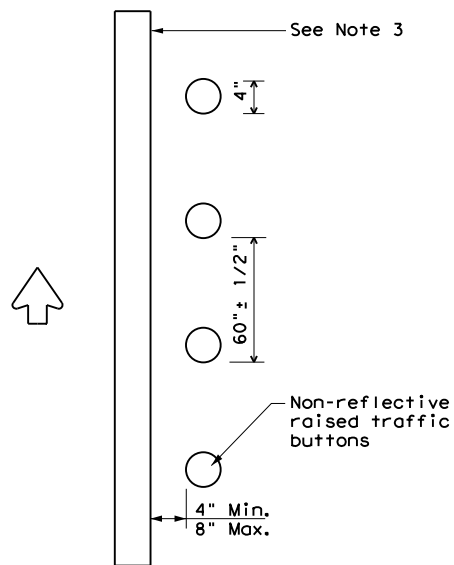


PLAN VIEW



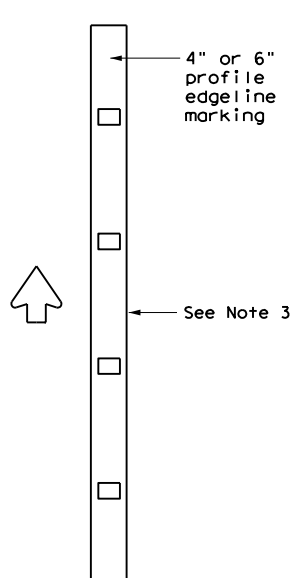
PROFILE VIEW
OPTION 4

CONTINUOUS MILLED DEPRESSIONS (Rumble Strips)



PLAN VIEW
OPTION 5

RAISED EDGELINE RUMBLE STRIPS



PLAN VIEW
OPTION 6

PROFILE EDGELINE MARKINGS

| SHOULDER WIDTH TABLE | | |
|------------------------------|--------------------------------------|---------------------------------|
| EQUAL TO OR LESS THAN 2 FEET | GREATER THAN 2 FEET LESS THAN 4 FEET | EQUAL TO OR GREATER THAN 4 FEET |
| Option 1, 5 OR 6 | Option 1, 2, 3 5 OR 6 | Option 2, 4, 5 OR 6 |

GENERAL NOTES

- Rumble strips and profile markings shall not be placed on roadways with a posted speed limit of 45 MPH or less.
- Milled rumble strips are preferred when adequate pavement depth is available. If pavement thickness is less than 2 inches, milled rumble strips shall not be used. Rumble strips shall not be milled or depressed into bridge decks.
- Use Standard Sheet PM(2) for positioning, dimensioning, and spacing of all reflective raised pavement markers, pavement markings, and profile markings.
- See the table below for determining what options may be used for edgeline rumble strips.

WHEN INSTALLING MILLED DEPRESSION EDGELINE RUMBLE STRIPS:

- See dimensions for milled rumble strips. Other shapes and dimensions may be used if approved by the Traffic Operations Division.
- Pavement markings can be applied over milled shoulder rumble strips to create an edgeline rumble stripe.
- Breaks in edgeline rumble strips shall occur at least 50 feet and no more than 150 feet in advance of bridges, railroad crossings, intersections and driveways with high usage of large trucks when installed on conventional highways.
- Rumble strips shall not be placed across exit or entrance ramps, acceleration and deceleration lanes, crossovers, gore areas or intersections with other roadways.
- Consideration should be given to noise levels when edgeline rumble strips are installed near residential areas, schools, churches, etc. A minimum of 3/8 inches depth of milled rumble strip may be considered in these areas.
- On roadways with high bicycle activity, consideration should be given before the installation of edgeline rumble strips. Things to consider include size of rumble strips, rumble strip material and location of rumble strips on the shoulder. If the designer determines that gaps are needed in the rumble strips due to bicycle use of the road, then follow the requirement shown in FHWA Technical Advisory T5040.39, or latest version. A detail of the spacing shall be included in the plans.

WHEN INSTALLING RAISED OR PROFILE EDGELINE RUMBLE STRIPS:

- Raised rumble strips consisting of non-reflective raised traffic buttons may be used. Non-reflective raised traffic buttons can be affixed to asphalt or concrete with bitumen or adhesives, as per the manufacturer's recommendations.
- Non-reflective traffic buttons shall be placed adjacent to the pavement marking delineating the edgeline when used as a rumble strip. The color of the button should match the color of the adjacent edgeline marking (white or yellow). The buttons will be paid for under Item 672, "Raised Pavement Markers." Non-reflective traffic buttons must meet the requirements of DMS-4300.
- Non-reflective traffic buttons shall not be placed across exit or entrance ramps, acceleration and deceleration lanes, crossovers, gore areas or intersections with other roadways.
- Breaks in edgeline rumble strips using raised traffic buttons shall occur at least 50 feet and no more than 150 feet in advance of bridges, railroad crossing, intersections and driveways with high usage of large trucks when installed on conventional highways.
- The minimum distance between the edgeline and the buttons should be used if the shoulder is less than 8 feet in width.
- Raised profile thermoplastic markings used as edgelines may substitute for buttons.

| | | | |
|--|-----------|--------------------------------------|-----------|
| | | Traffic Operations Division Standard | |
| EDGELINE RUMBLE STRIPS ON UNDIVIDED OR TWO LANE HIGHWAYS RS(4)-13 | | | |
| FILE: rs(4)-13.dgn | DN: TxDOT | CK: TxDOT | DW: TxDOT |
| © TxDOT October 2013 | CONT | SECT | JOB |
| REVISIONS | 0071 | 03 | 042 |
| DIST | COUNTY | | SHEET NO. |
| AUS | MASON | | 43 |