

INDEX OF SHEETS
(SEE SHEET NO. 2)

STATE OF TEXAS
DEPARTMENT OF TRANSPORTATION

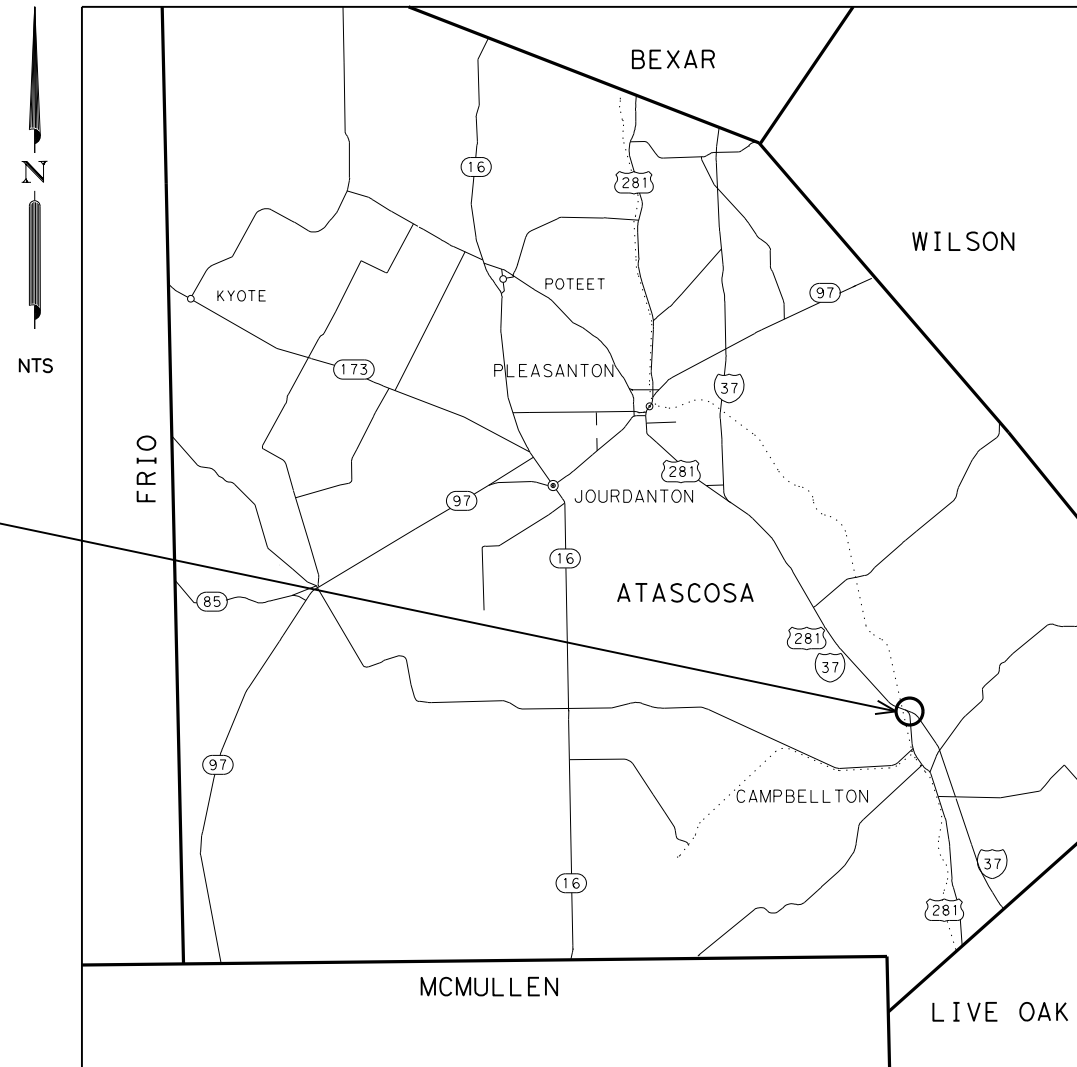
PLANS OF PROPOSED
ROUTINE MAINTENANCE CONTRACT

MAINTENANCE PROJECT NO.			SHEET NO.
RMC 6452-01-001			1
STATE	DIST. STATE	COUNTY	
TEXAS	SAT	ATASCOSA	
CONT.	SECT.	JOB	HIGHWAY NO.
6452	01	001	IH 37

TYPE OF WORK
EROSION REPAIR

AREA OF DISTURBED SOIL = 0.5 ACRES

PROJECT NO.: RMC 6452-01-001
HIGHWAY: IH 37
LIMITS: AT US 281A



PROJECT LOCATION
HWY: IH 37 AT US 281A
N.B. I NO.: 15-007-0-0073-05-160
N.B. I NO.: 15-007-0-0073-05-161

TEXAS DEPARTMENT OF TRANSPORTATION

SUBMITTED FOR LETTING:

R. J. P.E. 11/15/2023
MAINTENANCE CONTRACT ENGINEER DATE

RECOMMENDED FOR LETTING

Michelle R. Barton 11/15/2023
MAINTENANCE CONTRACT OFFICE DATE

RECOMMENDED FOR LETTING

Cynthia Saldaña 11/15/2023
DIRECTOR OF MAINTENANCE DATE

EXCEPTIONS: NONE
EQUATIONS: NONE
RAILROAD: NONE

© 2023 by Texas Department of Transportation
(512) 416-2055 : all rights reserved

SPECIFICATIONS ADOPTED BY THE TEXAS DEPARTMENT OF TRANSPORTATION NOVEMBER 1, 2014 AND THE SPECIFICATION ITEMS INCLUDED IN THE CONTRACT SHALL GOVERN ON THIS PROJECT.

FILE LOCATION AND NAME
T:\Engdata\Standards\Design\TITLESHEET-2014Specs.DGN

10/31/2023 10:38 PM
 T:\Maint\Design\01 Maintenance Design Project Folder\GRMC\FY2024\GRMC*6452*01*001\Plan Set\01 General\GRMC*GEN*INDEX.dgn

GENERAL

- 1 TITLE SHEET
- 2 INDEX OF SHEETS
- 3-3B GENERAL NOTES
- 4 ESTIMATE & QUANTITY
- 5 SUMMARIES

TRAFFIC CONTROL PLAN

- 6-7 TCP NARRATIVE

TRAFFIC CONTROL PLAN STANDARDS

- 8-19 & BC(1)-21 THRU BC(12)-21
- 20-22 & TCP(1-1)-18, TCP(1-2)-18 AND TCP(1-5)-18
- 23 & TCP(5-1)-18
- 24 & WZ(RS)-22

ROADWAY STANDARDS

- 25 & GF(31)MS-19

BRIDGE DETAILS

- 26-27 BRIDGE PLAN LAYOUT

BRIDGE STANDARDS

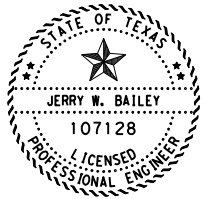
- 28 & CRR

ENVIRONMENTAL ISSUES

- 29 SW3P LAYOUT
- 30 * EPIC
- 31-32 & SW3P

ENVIRONMENTAL ISSUES STANDARDS

- 33 & EC(3)-16
- 34-36 & EC(9)-16
- & STATE STANDARDS
- * SAN ANTONIO DISTRICT STANDARDS




Jerry W. Bailey, P.E.

10/31/2023

JERRY W. BAILEY, P.E. DATE

THE STANDARD SHEETS SPECIFICALLY IDENTIFIED ABOVE (&, *) HAVE BEEN SPECIFICALLY SELECTED BY ME OR UNDER MY RESPONSIBLE SUPERVISION AS BEING APPLICABLE TO THIS PROJECT

 Texas Department of Transportation © 2023			
<h1 style="margin: 0;">IH 37</h1> <h2 style="margin: 0;">INDEX OF SHEETS</h2> <p style="margin: 0;">SHEET 01 OF 01</p>			
FED. DIV. NO.	FEDERAL AID PROJECT		SHEET NO.
6			2
STATE	DIST.	COUNTY	
TEXAS	SAT	ATASCOSA	
CONT.	SECT.	JOB	HIGHWAY NO.
6452	01	001	IH 37

Project Number: RMC 6452-01-001

Sheet 1

County: Atascosa

Control: 6452-01-001

Highway: IH 37

General Notes

TxDOT Project Supervisor – The project will be managed by:

Frances Merecka, P.E.
2304 Ave. E
Hondo, TX 78861

This project consists of erosion repair on IH 37 at US 281A in Atascosa County.

Each contract awarded by the Department stands on its own and as such, is separate from other contracts. A contractor awarded multiple contracts, must be capable and sufficiently staffed to concurrently process any or all contracts at the same time.

Notify the Engineer's office by telephone each morning by 8:15 a.m. that work is scheduled, with work location and time of arrival or reason for not working that day.

Item 2 “Instructions to Bidders”

Contractor questions on this project are to be addressed to the following individual:
Henry Fojtik, P.E. Henry.Fojtik@txdot.gov

Questions may be submitted via the Letting Pre-Bid Q&A web page. This webpage can be accessed from the Notice to Contractors dashboard located at the following Address:
<https://tableau.txdot.gov/views/ProjectInformationDashboard/NoticetoContractors>

All contractor questions will be reviewed by the Engineer. All questions and any corresponding responses that are generated will be posted through the same Letting Pre-Bid Q&A web page.

The Letting Pre-Bid Q&A web page for each project can be accessed by using the dashboard to navigate to the project you are interested in by scrolling or filtering the dashboard using the controls on the left. Hover over the blue hyperlink for the project you want to view the Q&A for and click on the link in the window that pops up.

This project includes plan sheets that are not part of the bid proposal.

View plans online or download from the web at:
<http://www.dot.state.tx.us/business/plansonline/ftpinfo.htm>

Project Number: RMC 6452-01-001

Sheet 2

County: Atascosa

Control: 6452-01-001

Highway: IH 37

Item 5 “Control of Work”

Prevention of Migratory Bird Nesting

It is anticipated that migratory birds, a protected group of species, may try to nest on bridges, culverts, vegetation, or gravel substrate, at any time of the year. The preferred nesting season for migratory birds is from February 15 through October 1. When practical, schedule construction operations outside of the preferred nesting season. Otherwise, nests containing migratory birds must be avoided and no work will be performed in the nesting areas until the young birds have fledged.

Structures

Bridge and culvert construction operations cannot begin until swallow nesting prevention is implemented, until after October 1 if it's determined that swallow nesting is actively occurring, or until it's determined swallow nests have been abandoned. If the State installed nesting deterrent on the bridges and culverts, maintain the existing nesting deterrent to prevent swallow nesting until October 1 or completion of the bridge and culvert work, whichever occurs earlier. If new nests are built and occupied after the beginning of the work, do not perform work that can interfere with or discourage swallows from returning to their nests. Prevention of swallow nesting can be performed by one of the following methods:

1. By February 15 begin the removal of any existing mud nests and all other mud placed by swallows for the construction of nests on any portion of the bridge and culverts. The Engineer will inspect the bridges and culverts for nest building activity. If swallows begin nest building, scrape or wash down all nest sites. Perform these activities daily unless the Engineer determines the need to do this work more frequently. Remove nests and mud through October 1 or until bridge and culvert construction operations are completed.
2. By February 15 place a nesting deterrent (which prevents access to the bridge and culvert by swallows) on the entire bridge (except deck and railing) and culverts.

No extension of time or compensation payment will be granted for a delay or suspension of work caused by nesting swallows. This work is subsidiary to the various bid items.

Item 7 “Legal Relations and Responsibilities”

The total disturbed area within the project is anticipated at less than one (1) acre. Due to this type of construction, the project qualifies for exclusion under the Construction General Permit (CGP) issued by the Texas Commission on Environmental Quality (TCEQ). However, should the sum of the Engineer's anticipated disturbances and the Contractor's (On ROW and off ROW) PSL's equal or exceed the one (1) acre threshold; both TxDOT and the Contractor have project responsibilities under the CGP that reverts to non-exclusion status. Obtain approval for all non-depicted areas of disturbance that increases the initial soil and vegetation disturbed area estimates before work starts at these locations.

11/15/2023 11:48:21 AM
C:\Users\hfojtik\OneDrive - Texas Department of Transportation\Desktop\Gen Note Plotting\Gen Notes.dgn



FED. DIV. NO.	FEDERAL AID PROJECT		SHEET NO.
6			3
STATE	DIST.	COUNTY	
TEXAS	SAT	ATASCOSA	
CONT.	SECT.	JOB	HIGHWAY NO.
6452	01	001	IH 37

GENERAL NOTES

Project Number: RMC 6452-01-001

Sheet 3

County: Atascosa

Control: 6452-01-001

Highway: IH 37

Notify the Engineer of the disturbed acreage within one (1) mile of the project limits. Obtain authorization from the TCEQ for Contractor PSL's for construction support activities on or off ROW.

Item 8 "Prosecution and Progress"

Working days will be computed and charged in accordance with Article 8.3.1.4, Standard Workweek.

Item 9 "Measurement and Payment"

When approved, provide uniformed, off-duty law enforcement officers with marked vehicles during work that requires a lane closure. The officer in marked vehicles shall be located as approved to monitor or direct traffic during the closure. The method used to direct traffic at signalized intersections shall be as approved. Additional officers and vehicles may be provided when approved or directed.

Complete the daily tracking form provided by the department and submit invoices that agree with the tracking form for payment at the end of each month approved services were provided.

Show proof of certification by the Texas Commission on Law Enforcement Standards.

All law enforcement personnel used in Work Zone Traffic Control shall be trained for performing duties in work zones and are required to take "Safe and Effective Use of Law Enforcement Personnel in Work Zones" (Course #133119) which can be found online at the following site: www.nhi.fhwa.dot.gov

Certificates of completion should be available to all who finish the course. These should be kept by the officers to substantiate completion when reporting to the work site.

Minimums, scheduling fees, etc. will not be paid; TxDOT will consider paying cancellation fees on a case-by-case basis.

Item 164 "Seeding for Erosion Control"

Drill seeding of permanent grasses requires the use of approved grass seeding equipment capable of properly storing and metering the release of small seeds (such as Bermuda grass) separately from fluffy type seeds (such as bluestems). Equipment manufactured for planting grain crops is acceptable for planting temporary cool season seeds, but not for planting the permanent seed mix.

When drill seeding is required, cultivate the area to a depth of 4 in. after the fertilizer has been applied and before placing the seed.

Project Number: RMC 6452-01-001

Sheet 4

County: Atascosa

Control: 6452-01-001

Highway: IH 37

If performing a permanent seeding in an area with established temporary grass cover and mowing is performed instead of tilling, seed and fertilizer may be distributed simultaneously during "Broadcast Seeding" operations, provided each component is applied at the specified rate.

Item 432 "Riprap"

In all riprap slopes, provide 3-inch diameter weep holes at 10 foot maximum spacing and backed with loose graded gravel or crushed stone and galvanized hardware cloth.

In areas where guard fence posts are to be placed in riprap, the riprap shall have an 18 inch +/- blocked out area (round or square). Blocked out areas shall be backfilled with 2 sack flowable backfill and considered subsidiary to the various bid items.

Match the slope of the Riprap (Mow Strip) to the slope of the adjacent roadway.

Item 500 "Mobilization"

"Materials on Hand" payments will not be considered in determining percentages for mobilization payments.

Item 502 "Barricades, Signs, and Traffic Handling"

The Contractor Force Account "Safety Contingency" that has been established for this project is intended to be utilized for work zone enhancements, to improve the effectiveness of the Traffic Control Plan, that could not be foreseen in the project planning and design stage. These enhancements will be mutually agreed upon by the Engineer and the Contractor's Responsible Person based on weekly or more frequent traffic management reviews on the project. The Engineer may choose to use existing bid items if it does not slow the implementation of enhancement.

Furnish and install all signs, barricades, and other incidentals necessary for proper traffic control, in accordance with part VI of the "Texas Manual on Uniform Traffic Control Devices for Streets and Highways" and in accordance with the standard plan sheets. Additional devices may be needed to supplement these requirements. All warning signs shall be factory made and in satisfactory condition.

If Nighttime work is required and work is not behind positive barrier then full Class 3 reflective gear is required to be worn by all workers, hard hat halos are required to be worn by the flaggers at flagging stations, TY III barricades are required to be spaced at 500 ft, and a mandatory night work meeting is required.

When advanced warning flashing arrow panels and/or changeable message sign is specified, have one standby unit in good condition at the job site. Standby time shall be considered subsidiary to the bid item.

11/15/2023 11:48:38 AM C:\Users\hfojt\OneDrive - Texas Department of Transportation\Desktop\Gen Note Plotting\Gen Notes.dgn



FED. DIV. NO.	FEDERAL AID PROJECT		SHEET NO.
6			3A
STATE	DIST.	COUNTY	
TEXAS	SAT	ATASCOSA	
CONT.	SECT.	JOB	HIGHWAY NO.
6452	01	001	IH 37

GENERAL NOTES

Project Number: RMC 6452-01-001

Sheet 5

County: Atascosa

Control: 6452-01-001

Highway: IH 37

Erect temporary traffic control signs in locations that will not obstruct the traveling public's view of the permanent roadway signing or obstruct sight distance at intersections and curves.

Any lane closures will require prior approval. Request approval 48 hours in advance of lane closures. If a lane closure must be cancelled due to weather or other unforeseen circumstances, immediately notify the inspector and reschedule the lane closure as necessary.

In addition to providing a Contractor's Responsible Person and a phone number for emergency contact, have an employee available to respond on the project for emergencies and for taking corrective measures within 2 hours or within a reasonable time frame as specified by the Engineer.

After written notification, the time frame to provide properly maintained signs and barricades before considered in non-compliance is 48 hours from receipt of the notification.

No more than one lane will be blocked at any time at a specific work site, unless otherwise authorized.

Be prepared for one way traffic control operations.

Avoid placing stockpiles within the roadway's horizontal clear zone. If a stockpile is placed within the clear zone, address in accordance with the TMUTCD.

Temporary Rumble Strips are to be used according to WZ(RS)-22.

Number of rumble strip arrays to be determined by the Engineer.

Item 506 "Temporary Erosion, Sedimentation, and Environmental Controls"

An Inspector will perform a regularly scheduled SWP3 inspection every 7 calendar days.

Failure to address items noted on the SW3P inspection report within two report cycles may result in the Department stopping all construction operations, exclusive of time charges, or withholding that month's estimate until the SW3P deficiencies are corrected unless the Engineer determines that the area is too wet to correct SW3P deficiencies.

Failure to correctly maintain daily monitoring reports and submitting to TxDOT on a daily/weekly basis may result in the monthly estimate being withheld.

Item 6185 "Truck Mounted Attenuator"

The TMA's will be measured and paid for by the DAY for each TMA/TA set up and operational on the worksite. The contractor will be responsible for determining if one or more of these operations will be ongoing at the same time to determine the total number of TMA's needed for the project.

11/15/2023 11:48:53 AM C:\Users\hfojt\OneDrive - Texas Department of Transportation\Desktop\Gen Note Plotting\Gen Notes.dgn



FED. DIV. NO.	FEDERAL AID PROJECT		SHEET NO.
6			3B
STATE	DIST.	COUNTY	
TEXAS	SAT	ATASCOSA	
CONT.	SECT.	JOB	HIGHWAY NO.
6452	01	001	IH 37

GENERAL NOTES



Estimate & Quantity Sheet

CONTROLLING PROJECT ID 6452-01-001

DISTRICT San Antonio

COUNTY Atascosa

HIGHWAY IH0037

CONTROL SECTION JOB				6452-01-001		TOTAL EST.	TOTAL FINAL
PROJECT ID				A00202243			
COUNTY				Atascosa			
HIGHWAY				IH0037			
ALT	BID CODE	DESCRIPTION	UNIT	EST.	FINAL		
	104-6009	REMOVING CONC (RIPRAP)	SY	480.000		480.000	
	110-6001	EXCAVATION (ROADWAY)	CY	30.000		30.000	
	132-6003	EMBANKMENT (FINAL)(ORD COMP)(TY B)	CY	280.000		280.000	
	161-6017	COMPOST MANUF TOPSOIL (4")	SY	1,750.000		1,750.000	
	164-6001	BROADCAST SEED (PERM) (RURAL) (SANDY)	SY	1,750.000		1,750.000	
	169-6001	SOIL RETENTION BLANKETS (CL 1) (TY A)	SY	1,750.000		1,750.000	
	401-6001	FLOWABLE BACKFILL	CY	10.000		10.000	
	432-6001	RIPRAP (CONC)(4 IN)	CY	138.000		138.000	
	432-6045	RIPRAP (MOW STRIP)(4 IN)	CY	4.000		4.000	
	500-6001	MOBILIZATION	LS	1.000		1.000	
	502-6001	BARRICADES, SIGNS AND TRAFFIC HANDLING	MO	2.000		2.000	
	506-6020	CONSTRUCTION EXITS (INSTALL) (TY 1)	SY	112.000		112.000	
	506-6024	CONSTRUCTION EXITS (REMOVE)	SY	112.000		112.000	
	506-6041	BIODEG EROSN CONT LOGS (INSTL) (12")	LF	80.000		80.000	
	506-6043	BIODEG EROSN CONT LOGS (REMOVE)	LF	80.000		80.000	
	6185-6002	TMA (STATIONARY)	DAY	18.000		18.000	


ROADWAY AND BRIDGE SUMMARY

SHT. NO.	SHEET	0104 6009 REMOVING CONC (RIPRAP)	0110 6001 EXCAVATION (ROADWAY)	0132 6003 EMBANKMENT (FINAL) (ORD COMP) (TY B)	0401 6001 FLOWABLE BACKFILL	0432 6001 RIPRAP (CONC) (4 IN)	0432 6045 RIPRAP (MOW STRIP) (4 IN)	6185 6002 TMA (STATIONARY)
		SY	CY	CY	CY	CY	CY	DAY
26	BRIDGE PLAN LAYOUT SHEET 01 OF 02	480	30	280	10	138	4	
N/A	N/A							18
	TOTALS	480	30	280	10	138	4	18

SW3P SUMMARY

SHT. NO.	SHEET	0161 6017 COMPOST MANUF TOPSOIL (4')	0164 6001 BROADCAST SEED (PERM) (RURAL) (SANDY)	0169 6001 SOIL RETENTION BLANKETS (CL II) (TY A)	0506 6020 CONSTRUCTION EXITS (INSTALL) (TY I)	0506 6024 CONSTRUCTION EXITS (REMOVE)	0506 6041 BIODEG EROSN CONT LOGS (INSTL) (12')	0506 6043 BIODEG EROSN CONT LOGS (REMOVE)
		SY	SY	SY	SY	SY	LF	LF
29	SW3P LAYOUT SHEET 01 OF 01	1,750	1,750	1,750	112	112	80	80
	TOTALS	1,750	1,750	1,750	112	112	80	80

10/31/2023 2:36:10 PM T:\Maint\Design\01 Maintenance Design Project Folder\GRMC\FY2024\GRMC*6452*01*001\Plan Set\01 General\GRMC*GEN*SUM.dgn

 Texas Department of Transportation © 2023			
<h1>IH 37</h1> <h2>SUMMARIES</h2> <p>SHEET 01 OF 01</p>			
FED. DIV. NO.	FEDERAL AID PROJECT		SHEET NO.
6			5
STATE	DIST.	COUNTY	
TEXAS	SAT	ATASCOSA	
CONT.	SECT.	JOB	HIGHWAY NO.
6452	01	001	IH 37

DETOURS, BARRICADES, WARNING SIGNS, SEQUENCE OF WORK, ETC.

THE CONTRACTOR'S ATTENTION IS DIRECTED TO THE REQUIREMENTS OF ITEM 7, "LEGAL RELATIONS AND RESPONSIBILITIES TO THE PUBLIC," OF THE STANDARD SPECIFICATIONS. IN ADDITION TO THESE REQUIREMENTS, THE FOLLOWING PROVISIONS SHALL ALSO GOVERN ON THIS CONTRACT:

I. GENERAL

- (1) TRAFFIC MUST BE HANDLED THROUGHOUT THE PROJECT DURING CONSTRUCTION. THE CONTRACTOR IS RESPONSIBLE FOR PROVIDING A SAFE AND COMFORTABLE PASSAGE FOR VEHICULAR AND PEDESTRIAN TRAFFIC WITH MINIMAL INCONVENIENCE TO THE PUBLIC, AS SHOWN IN THE PLANS OR AS DIRECTED/APPROVED BY THE ENGINEER.
- (2) THE CONTRACTOR MAY PROPOSE/RECOMMEND MODIFICATIONS TO THE SEQUENCE OF WORK FOR CONSIDERATION BY THE ENGINEER. ANY MAJOR RECOMMENDED MODIFICATION BY THE CONTRACTOR SHALL INCLUDE ANY CHANGES TO THE PERTINENT BID ITEMS, IMPACT TO TRAFFIC, EFFECT OF OVERALL PROJECT IN TIME AND COST, ETC. IF THIS PROPOSAL IS IMPLEMENTED, THE CONTRACTOR WILL BE RESPONSIBLE FOR DEVELOPING DETAILED PLAN SHEETS TO BE SEALED BY A LICENSED PROFESSIONAL ENGINEER FOR INCLUSION WITH THE CHANGE ORDER. THE CONTRACTOR CANNOT PROCEED WITH ANY CONSTRUCTION OPERATIONS BASED ON A REVISED PHASE/SEQUENCE UNTIL WRITTEN APPROVAL IS OBTAINED FROM THE ENGINEER. IF AT ANY TIME DURING CONSTRUCTION THE CONTRACTOR'S PROPOSED PLAN OF OPERATION FOR HANDLING TRAFFIC DOES NOT PROVIDE FOR SAFE AND COMFORTABLE MOVEMENT, THE CONTRACTOR WILL IMMEDIATELY CHANGE THEIR OPERATION TO CORRECT THE UNSATISFACTORY CONDITION.
- (3) DO NOT STORE ANY CONSTRUCTION MATERIAL OR EQUIPMENT AT ANY LOCATION THAT WILL CONSTITUTE A HAZARD AND WILL ENDANGER TRAFFIC.
- (4) THE CONTRACTOR WILL PROVIDE ADVANCE NOTIFICATION TO THE ENGINEER OF IMPENDING / UPCOMING LANE CLOSURES FOR ALL TEMPORARY AND / OR PERMANENT LANE, RAMP, CONNECTOR, FRONTAGE, SHOULDER, ETC. CLOSURES OR DETOURS. SEE GENERAL NOTES FOR NOTIFICATION REQUIREMENTS.
- (5) ACCESS TO ADJOINING PROPERTY MUST BE MAINTAINED AT ALL TIMES.
- (6) TEMPORARY DRAINAGE IS THE RESPONSIBILITY OF THE CONTRACTOR.
- (7) AT NO TIME SHALL TWO CONSECUTIVE INTERSECTING ROADWAYS BE CLOSED AT THE SAME TIME DURING CONSTRUCTION.
- (8) AT NO TIME SHALL TWO CONSECUTIVE RAMPS BE CLOSED AT THE SAME TIME DURING CONSTRUCTION OR OVERLAY OPERATIONS.
- (9) UNLESS OTHERWISE NOTED IN THE PLANS AND/OR AS DIRECTED BY THE ENGINEER, LANE CLOSURES SHALL BE LIMITED ACCORDING TO THE FOLLOWING RESTRICTIONS:
 DAYTIME CLOSURES MONDAY THRU FRIDAY EACH DAY FROM 9 AM TO 3 PM (WITH UNIFORMED OFF DUTY LAW ENFORCEMENT OFFICERS).
 NIGHTTIME CLOSURES WHEN APPROVED BY THE ENGINEER.
 WEEKEND CLOSURES (9 PM FRIDAY TO 5 AM MONDAY) WHEN APPROVED BY THE ENGINEER.
 NEITHER LANE CLOSURES NOR ROADWAY CLOSURES WILL BE PERMITTED FOR THE FOLLOWING KEY DATES AND/OR SPECIAL EVENTS:
 BETWEEN DECEMBER 15 AND JANUARY 1.
 WEDNESDAY BEFORE THANKSGIVING THRU THE SUNDAY AFTER THANKSGIVING.
 SATURDAY AND SUNDAY BEFORE MEMORIAL DAY AND LABOR DAY.
 SATURDAY AND SUNDAY WHEN JULY 4 FALLS ON A FRIDAY OR MONDAY.
 EASTER WEEKEND.
- (10) COORDINATE WITH ADJACENT PROJECTS.
- (11) COVER PERMANENT SIGNS IF NOT USED. THIS IS SUBSIDIARY TO ITEM 502.
- (12) COORDINATE WITH THE RELEVANT AGENCY, CITY OF SAN ANTONIO OR TXDOT, FOR ANY NECESSARY SIGNAL TIMING REVISIONS.
- (13) TRAFFIC CONTROL DEVICES AND SIGNS ARE TO BE MAINTAINED ON A DAILY BASIS.
- (14) ALL LANES ARE TO BE OPEN TO TRAFFIC AT THE END OF EACH WORKING DAY.

2. SEQUENCE OF WORK

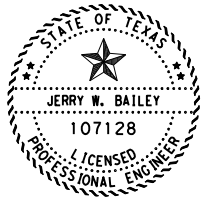
- (1) THIS PROJECT WILL BE CONSTRUCTED AS PER THE STEPS SPECIFIED BELOW IN "SEQUENCE OF WORK - STEPS:" BEFORE THE COMMENCEMENT OF EACH STEP, INSTALL ADVANCE WARNING SIGNS, TEMPORARY SIGNS, AND BARRICADES AS SHOWN ON THE PLANS AND/OR AS DIRECTED/APPROVED BY THE ENGINEER. DAILY LANE CLOSURES WILL BE USED IN ACCORDANCE WITH STATE TCP STANDARDS. DROP OFF CONDITIONS OF GREATER THAN 2" MUST HAVE A 3:1 SLOPE AT THE END OF EACH DAY, AS WELL AS THROUGHOUT THE PROJECT WHERE ACCESS TO ADJACENT PROPERTIES IS ALLOWED TO DRIVEWAYS AND SIDE STREETS.
- (2) REMOVAL OF EXISTING ITEMS TO BE DONE ONLY IN AREAS WHERE WORK IS OCCURING, AS PER THE STEPS SPECIFIED BELOW IN "SEQUENCE OF WORK - STEPS:"

STEPS

- (1) PLACE BARRICADES AND ALL APPLICABLE TRAFFIC CONTROL DEVICES AS SHOWN ON THE PLANS AND/OR AS DIRECTED/APPROVED BY THE ENGINEER.
- (2) INSTALL TEMPORARY EROSION CONTROL MEASURES (BIODEG EROSN CONT LOGS AND CONSTRUCTION EXITS) AS SHOWN ON THE PLANS AND/OR AS APPROVED BY THE ENGINEER.
- (3) REMOVE EXISTING CONCRETE RIPRAP AND EXISTING GABION MATTRESSES AS SHOWN ON THE PLANS.
- (4) PLACE EMBANKMENT (FINAL) (ORD COMPI) (TY B) AND GRADE TO MATCH ABUTTING CONCRETE RIPRAP SLOPE.
- (5) INSTALL RIPRAP (CONC) (4 IN) AND RIPRAP (MOW STRIP) (4 IN) AS SHOWN ON THE PLANS.
- (6) INSTALL COMPOST MANUFACTURED TOPSOIL, BROADCAST SEED, AND SOIL RETENTION BLANKETS IN AREAS THAT HAVE BEEN DISTURBED, AS DIRECTED BY THE ENGINEER.
- (7) REMOVE TEMPORARY EROSION CONTROL MEASURES (BIODEG EROSN CONT LOGS AND CONSTRUCTION EXITS) AS SHOWN ON THE PLANS.
- (8) PERFORM CLEAN-UP OPERATIONS.
- (9) REMOVE BARRICADES AND ALL APPLICABLE TRAFFIC CONTROL DEVICES.

3. SAFETY

- (1) THE CONTRACTOR WILL PROVIDE, CONSTRUCT AND MAINTAIN BARRICADES AND SIGNS IN ACCORDANCE WITH STATE STANDARDS BC(11)-21 THRU BC(12)-21. ANY SIGNS REQUIRED THAT ARE NOT DETAILED IN THE STANDARD SHEETS SHALL BE IN CONFORMANCE WITH THE LATEST VERSION OF "TEXAS MANUAL ON UNIFORM TRAFFIC CONTROL DEVICES FOR STREETS AND HIGHWAYS," THE "STANDARD HIGHWAY SIGN DESIGNS FOR TEXAS," AND TXDOT STANDARDS.
- (2) BARRICADES AND WARNING SIGNS SHALL BE PLACED AS INDICATED ON THE PLANS. THIS SHALL BE CONSIDERED THE MINIMUM REQUIRED TO PROVIDE FOR THE SAFETY OF TRAFFIC DURING CONSTRUCTION. THE CONTRACTOR SHALL PROVIDE AND MAINTAIN OTHER SUCH BARRICADES AND SIGNS DEEMED NECESSARY BY THE ENGINEER OR AS DIRECTED BY FIELD CONDITIONS, TO PROVIDE FOR THE SAFE PASSAGE OF TRAFFIC AT ALL TIMES.
- (3) THE CONTRACTOR SHALL PROVIDE AND MAINTAIN FLAGGERS AS DIRECTED/APPROVED BY THE ENGINEER, AT SUCH POINTS, AND FOR SUCH PERIODS OF TIME AS MAY BE REQUIRED, TO PROVIDE FOR THE SAFETY OF THE TRAVELING PUBLIC AND THE CONTRACTOR'S PERSONNEL.
- (4) BARRICADES SHALL NOT BE USED AS SIGN SUPPORT. SUPPORT FOR SIGNS SHALL EITHER BE TEMPORARY, FIXED, OR PORTABLE SIGN SUPPORT AS DIRECTED BY THE ENGINEER.
- (5) THE DISTANCE PLAQUE IN EITHER FEET OR MILES MAY BE REQUIRED FOR USE IN CONJUNCTION WITH WARNING SIGNS.
- (6) CONTRACTOR IS TO PROVIDE ACCESS TO INTERSECTING STREETS, RAMPS, AND DRIVEWAYS AT ALL TIMES, EXCEPT WHERE SPECIFICALLY SHOWN TO BE CLOSED. ADEQUACY OF ACCESS WILL BE AT THE DISCRETION OF THE ENGINEER.
- (7) ALL CONSTRUCTION TRAFFIC IS TO BE REGULATED SUCH THAT THE TRAVELING PUBLIC EXPERIENCES A MINIMUM OF INCONVENIENCE AT TIMES WHEN IT IS NECESSARY FOR CONSTRUCTION VEHICLES TO STOP, UNLOAD, OR CROSS ROADWAYS UNDER TRAFFIC. WARNING SIGNS AND FLAGGER SHALL BE PROVIDED AS NECESSARY TO ADEQUATELY PROTECT THE TRAVELING PUBLIC.
- (8) CONTRACTOR SHALL KEEP THE ROADWAY CLEAN AND FREE OF DIRT OR OTHER MATERIALS DURING HAULING OPERATIONS. IF THE CONTRACTOR DOES NOT MAINTAIN A CLEAN ROADWAY, THEY SHALL CEASE ALL CONSTRUCTION OPERATIONS, WHEN DIRECTED BY THE ENGINEER, TO CLEAN THE ROADWAY TO THE SATISFACTION OF THE ENGINEER.



Jerry W. Bailey, P.E.

JERRY W. BAILEY, P.E. 10/31/2023
DATE

Texas Department of Transportation © 2023			
IH 37			
TCP NARRATIVE			
SHEET 01 OF 02			
FED. DIV. NO.	FEDERAL AID PROJECT		SHEET NO.
6			6
STATE	DIST.	COUNTY	
TEXAS	SAT	ATASCOSA	
CONT.	SECT.	JOB	HIGHWAY NO.
6452	01	001	IH 37

10/31/2023 10:40 PM
 T:\Maint\Design\01 Maintenance Design Project Folder\GRMC\FY2024\GRMC*6452*01*001\Plan Set\02 TCP\GRMC*TCP*NAF01.dgn

10/31/2023 10:40 PM
T:\Maint\Design\01 Maintenance Design Project Folder\GRMC\FY2024\GRMC*6452*01*001\Plan Set\02 TCP\GRMC*TCP*NAR02.dgn

4. HAULING EQUIPMENT

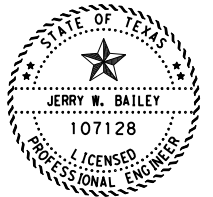
- (1) WHEN EQUIPMENT NOT LICENSED FOR OPERATION ON PUBLIC HIGHWAYS IS TO BE USED FOR MOVING DIRT OR OTHER MATERIAL ALONG OR ACROSS PAVEMENTED SURFACES, CONTRACTOR SHALL ENSURE SAID EQUIPMENT USES RUBBER TIRES. CONTRACTOR SHALL PROTECT THE PAVEMENT FROM DAMAGE AS DIRECTED / APPROVED BY THE ENGINEER.
- (2) THROUGHOUT CONSTRUCTION OPERATIONS, THE CONTRACTOR SHALL CONDUCT THEIR HAULING OPERATIONS IN A MANNER SUCH THAT VEHICLES DO NOT HAUL OVER PREVIOUSLY RECOMPACTED SUBGRADE NOR COMPACTED BASE MATERIAL, EXCEPT IN SHORT SECTIONS FOR DUMPING MANIPULATIONS.

5. FINAL CLEAN UP

UPON COMPLETION OF CONSTRUCTION AND BEFORE FINAL ACCEPTANCE AND FINAL PAYMENT IS MADE, THE CONTRACTOR SHALL CLEAR AND REMOVE FROM THE SITE ALL SURPLUS AND DISCARDED MATERIALS AND DEBRIS OF EVERY KIND AND LEAVE THE ENTIRE PROJECT IN A SMOOTH, NEAT AND SIGHTLY CONDITION.


6. PAYMENT

ALL BARRICADES, SIGNS, AND FLAGGERS SHALL BE SUBSIDIARY TO ITEM 502 BARRICADES, SIGNS AND TRAFFIC HANDLING. ALL EROSION AND SEDIMENT CONTROL DEVICES WILL BE PAID FOR UNDER ITEM 506 TEMPORARY EROSION, SEDIMENTATION, AND ENVIRONMENTAL CONTROLS. ALL WORK ZONE PAVEMENT MARKINGS WILL BE PAID FOR UNDER ITEM 662 WORK ZONE PAVEMENT MARKINGS. ALL OTHER WORK AND MATERIALS SHALL BE SUBSIDIARY TO THE PERTINENT BID ITEMS UNLESS OTHERWISE INDICATED IN THE PLANS.



Jerry W. Bailey, P.E.

JERRY W. BAILEY, P.E. 10/31/2023
DATE

 Texas Department of Transportation © 2023			
IH 37			
TCP NARRATIVE			
SHEET 02 OF 02			
FED. DIV. NO.	FEDERAL AID PROJECT		SHEET NO.
6			7
STATE	DIST.	COUNTY	
TEXAS	SAT	ATASCOSA	
CONT.	SECT.	JOB	HIGHWAY NO.
6452	01	001	IH 37

DISCLAIMER: The use of this standard is governed by the "Texas Engineering Practice Act". No warranty of any kind is made by TxDOT for any purpose whatsoever. TxDOT assumes no responsibility for the conversion of this standard to other formats or for incorrect results or damages resulting from its use.

DATE:
 FILE:

BARRICADE AND CONSTRUCTION (BC) STANDARD SHEETS GENERAL NOTES:

1. The Barricade and Construction Standard Sheets (BC sheets) are intended to show typical examples for placement of temporary traffic control devices, construction pavement markings, and typical work zone signs. The information contained in these sheets meet or exceed the requirements shown in the "Texas Manual on Uniform Traffic Control Devices" (TMUTCD).
2. The development and design of the Traffic Control Plan (TCP) is the responsibility of the Engineer.
3. The Contractor may propose changes to the TCP that are signed and sealed by a licensed professional engineer for approval. The Engineer may develop, sign and seal Contractor proposed changes.
4. The Contractor is responsible for installing and maintaining the traffic control devices as shown in the plans. The Contractor may not move or change the approximate location of any device without the approval of the Engineer.
5. Geometric design of lane shifts and detours should, when possible, meet the applicable design criteria contained in manuals such as the American Association of State Highway and Transportation Officials (AASHTO), "A Policy on Geometric Design of Highways and Streets," the TxDOT "Roadway Design Manual" or engineering judgment.
6. When projects abut, the Engineer(s) may omit the END ROAD WORK, TRAFFIC FINES DOUBLE, and other advance warning signs if the signing would be redundant and the work areas appear continuous to the motorists. If the adjacent project is completed first, the Contractor shall erect the necessary warning signs as shown on these sheets, the TCP sheets or as directed by the Engineer. The BEGIN ROAD WORK NEXT X MILES sign shall be revised to show appropriate work zone distance.
7. The Engineer may require duplicate warning signs on the median side of divided highways where median width will permit and traffic volumes justify the signing.
8. All signs shall be constructed in accordance with the details found in the "Standard Highway Sign Designs for Texas," latest edition. Sign details not shown in this manual shall be shown in the plans or the Engineer shall provide a detail to the Contractor before the sign is manufactured.
9. The temporary traffic control devices shown in the illustrations of the BC sheets are examples. As necessary, the Engineer will determine the most appropriate traffic control devices to be used.
10. Where highway construction or maintenance work is being undertaken, other than mobile operations as defined by the Texas Manual on Uniform Traffic Control Devices, CSJ limit signs are required. CSJ limit signs are shown on BC(2). The OBEY WARNING SIGNS STATE LAW sign, STAY ALERT TALK OR TEXT LATER and the WORK ZONE TRAFFIC FINES DOUBLE sign with plaque shall be erected in advance of the CSJ limits. The BEGIN ROAD WORK NEXT X MILES, CONTRACTOR and END ROAD WORK signs shall be erected at or near the CSJ limits. For mobile operations, CSJ limit signs are not required.
11. Traffic control devices should be in place only while work is actually in progress or a definite need exists.
12. The Engineer has the final decision on the location of all traffic control devices.
13. Inactive equipment and work vehicles, including workers' private vehicles must be parked away from travel lanes. They should be as close to the right-of-way line as possible, or located behind a barrier or guardrail, or as approved by the Engineer.

WORKER SAFETY NOTES:


1. Workers on foot who are exposed to traffic or to construction equipment within the right-of-way shall wear high-visibility safety apparel meeting the requirements of ISEA "American National Standard for High-Visibility Apparel," or equivalent revisions, and labeled as ANSI 107-2004 standard performance for Class 2 or 3 risk exposure. Class 3 garments should be considered for high traffic volume work areas or night time work.
2. Except in emergency situations, flagger stations shall be illuminated when flagging is used at night.

COMPLIANT WORKZONE TRAFFIC CONTROL DEVICES

1. Only pre-qualified products shall be used. The "Compliant Work Zone Traffic Control Devices List" (CWZTCD) describes pre-qualified products and their sources.
2. Work zone traffic control devices shall be compliant with the Manual for Assessing safety Hardware (MASH).

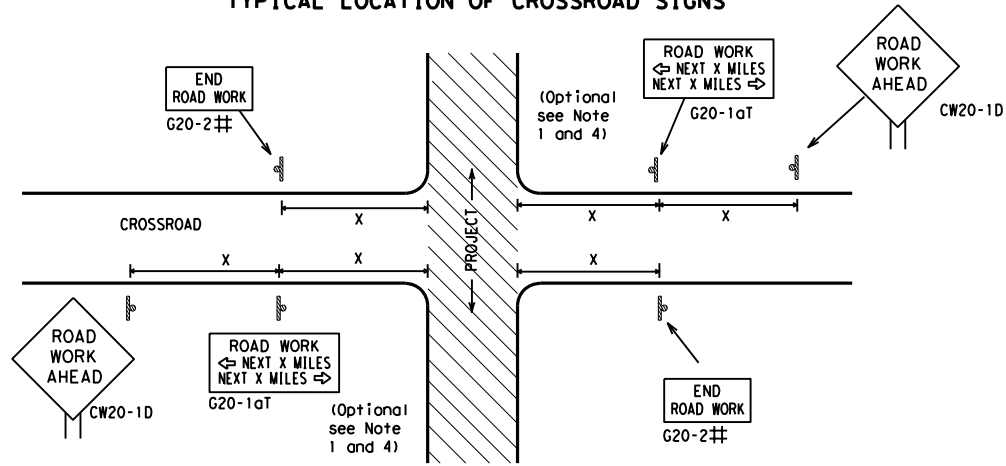
THE DOCUMENTS BELOW CAN BE FOUND ON-LINE AT http://www.txdot.gov
COMPLIANT WORK ZONE TRAFFIC CONTROL DEVICES LIST (CWZTCD)
DEPARTMENTAL MATERIAL SPECIFICATIONS (DMS)
MATERIAL PRODUCER LIST (MPL)
ROADWAY DESIGN MANUAL - SEE "MANUALS (ONLINE MANUALS)"
STANDARD HIGHWAY SIGN DESIGNS FOR TEXAS (SHSD)
TEXAS MANUAL ON UNIFORM TRAFFIC CONTROL DEVICES (TMUTCD)
TRAFFIC ENGINEERING STANDARD SHEETS

SHEET 1 OF 12

 Texas Department of Transportation		Traffic Safety Division Standard	
BARRICADE AND CONSTRUCTION GENERAL NOTES AND REQUIREMENTS			
BC (1) - 21			
FILE:	bc-21.dgn	DN:	TxDOT
© TxDOT	November 2002	CK:	TxDOT
		DW:	TxDOT
		CR:	TxDOT
REVISIONS	CONT	SECT	JOB
4-03 7-13	6452	01	001
9-07 8-14			IH 37
5-10 5-21			
	DIST	COUNTY	SHEET NO.
	SAT	ATASCOSA	8

DISCLAIMER: The use of this standard is governed by the "Texas Engineering Practice Act". No warranty of any kind is made by TxDOT for any purpose whatsoever. TxDOT assumes no responsibility for the conversion of this standard to other formats or for incorrect results or damages resulting from its use.

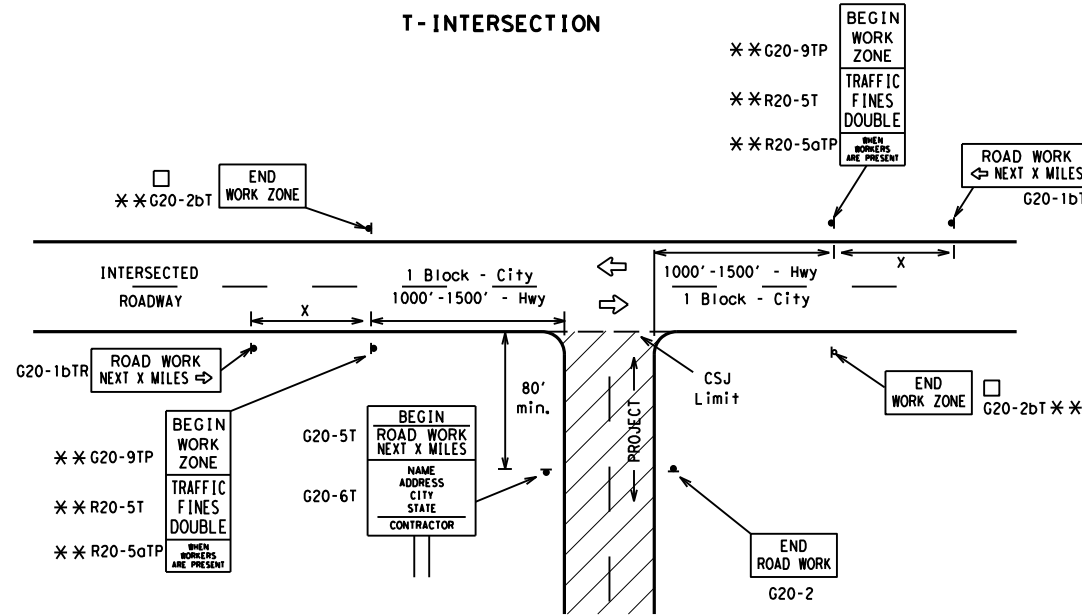
TYPICAL LOCATION OF CROSSROAD SIGNS



May be mounted on back of "ROAD WORK AHEAD" (CW20-1D) sign with approval of Engineer. (See note 2 below)

- The typical minimum signing on a crossroad approach should be a "ROAD WORK AHEAD" (CW20-1D) sign and a (G20-2) "END ROAD WORK" sign, unless noted otherwise in plans.
- The Engineer may use the reduced size 36" x 36" ROAD WORK AHEAD (CW20-1D) sign mounted back to back with the reduced size 36" x 18" "END ROAD WORK" (G20-2) sign on low volume crossroads (see Note 4 under "Typical Construction Warning Sign Size and Spacing"). See the "Standard Highway Sign Designs for Texas" manual for sign details. The Engineer may omit the advance warning signs on low volume crossroads. The Engineer will determine whether a road is low volume as per TMUTCD Part 5. This information shall be shown in the plans.
- Based on existing field conditions, the Engineer/Inspector may require additional signs such as FLAGGER AHEAD, LOOSE GRAVEL, or other appropriate signs. When additional signs are required, these signs will be considered part of the minimum requirements. The Engineer/Inspector will determine the proper location and spacing of any sign not shown on the BC sheets, Traffic Control Plan sheets or the Work Zone Standard Sheets.
- The "ROAD WORK NEXT X MILES" (G20-1aT) sign shall be required at high volume crossroads to advise motorists of the length of construction in either direction from the intersection. The Engineer will determine whether a roadway is considered high volume.
- Additional traffic control devices may be shown elsewhere in the plans for higher volume crossroads.
- When work occurs in the intersection area, appropriate traffic control devices, as shown elsewhere in the plans or as determined by the Engineer/Inspector, shall be in place.

T-INTERSECTION



CSJ LIMITS AT T-INTERSECTION

- The Engineer will determine the types and location of any additional traffic control devices, such as a flagger and accompanying signs, or other signs, that should be used when work is being performed at or near an intersection.
- If construction closes the road at a T-intersection, the Contractor shall place the "CONTRACTOR NAME" (G20-6T) sign behind the Type 3 Barricades for the road closure (see BC(10) also). The "ROAD WORK NEXT X MILES" left arrow (G20-1bTL) and "ROAD WORK NEXT X MILES" right arrow (G20-1bTR) signs shall be replaced by the detour signing called for in the plans.

TYPICAL CONSTRUCTION WARNING SIGN SIZE AND SPACING^{1,5,6}

Sign Number or Series	SIZE		SPACING	
	Conventional Road	Expressway/Freeway	Posted Speed MPH	Sign Δ Spacing "x" Feet (Apprx.)
CW20 ⁴	48" x 48"	48" x 48"	30	120
CW21			35	160
CW22			40	240
CW23			45	320
CW25			50	400
CW1, CW2, CW7, CW8, CW9, CW11, CW14	36" x 36"	48" x 48"	55	500 ²
CW3, CW4, CW5, CW6, CW8-3, CW10, CW12	48" x 48"	48" x 48"	60	600 ²
			65	700 ²
			70	800 ²
			75	900 ²
			80	1000 ²
			*	* ³

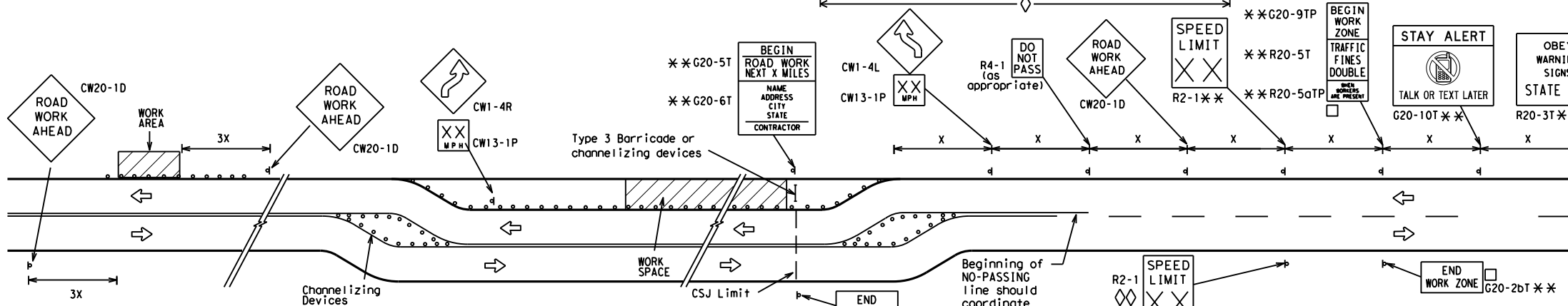
* For typical sign spacings on divided highways, expressways and freeways, see Part 6 of the "Texas Manual on Uniform Traffic Control Devices" (TMUTCD) typical application diagrams or TCP Standard Sheets.

Δ Minimum distance from work area to first Advance Warning sign nearest the work area and/or distance between each additional sign.

GENERAL NOTES

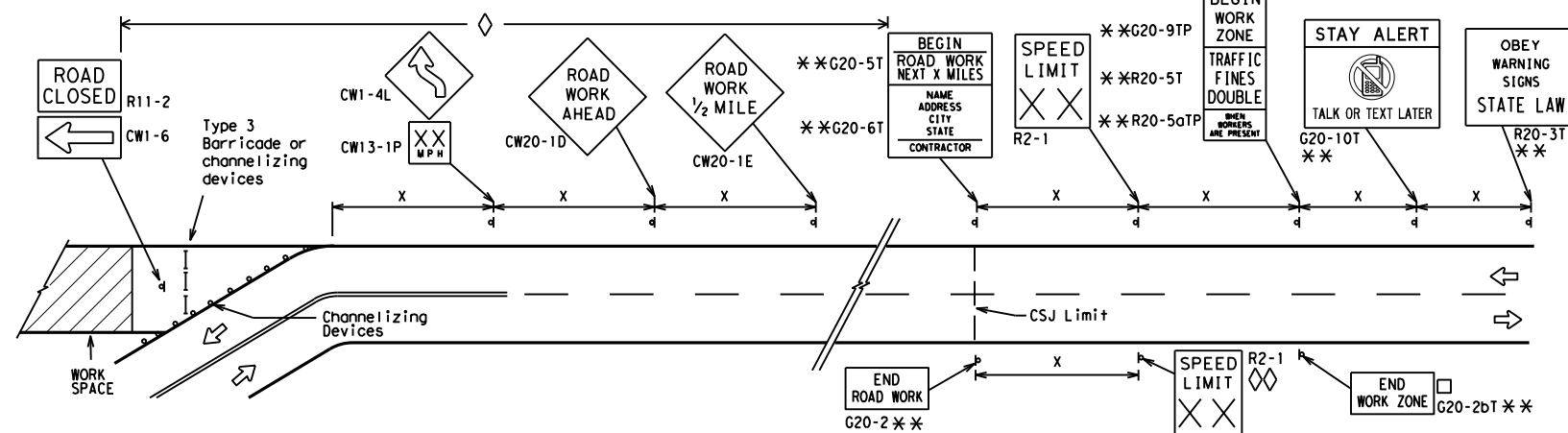
- Special or larger size signs may be used as necessary.
- Distance between signs should be increased as required to have 1500 feet advance warning.
- Distance between signs should be increased as required to have 1/2 mile or more advance warning.
- 36" x 36" "ROAD WORK AHEAD" (CW20-1D) signs may be used on low volume crossroads at the discretion of the Engineer as per TMUTCD Part 5. See Note 2 under "Typical Location of Crossroad Signs".
- Only diamond shaped warning sign sizes are indicated.
- See sign size listing in "TMUTCD", Sign Appendix or the "Standard Highway Sign Designs for Texas" manual for complete list of available sign design sizes.

WORK AREAS IN MULTIPLE LOCATIONS WITHIN CSJ LIMITS



When extended distances occur between minimal work spaces, the Engineer/Inspector should ensure additional "ROAD WORK AHEAD" (CW20-1D) signs are placed in advance of these work areas to remind drivers they are still within the project limits. See the applicable TCP sheets for exact location and spacing of signs and channelizing devices.

SAMPLE LAYOUT OF SIGNING FOR WORK BEGINNING DOWNSTREAM OF THE CSJ LIMITS



NOTES

- The Contractor shall determine the appropriate distance to be placed on the G20-1 series signs and "BEGIN ROAD WORK NEXT X MILES" (G20-5T) sign for each specific project. This distance shall replace the "x" and shall be rounded to the nearest whole mile with the approval of the Engineer. No decimals shall be used.
- The "BEGIN WORK ZONE" (G20-9TP) and "END WORK ZONE" (G20-2bT) shall be used as shown on the sample layout when advance signs are required outside the CSJ Limits. They inform the motorist of entering or leaving a part of the work zone lying outside the CSJ Limits where traffic fines may double if workers are present.
- CSJ limit signing is required for highway construction and maintenance work, with the exception of mobile operations.
- Area for placement of "ROAD WORK AHEAD" (CW20-1D) sign and other signs or devices as called for on the Traffic Control Plan.
- Contractor will install a regulatory speed limit sign at the end of the work zone.

LEGEND	
—	Type 3 Barricade
○ ○ ○	Channelizing Devices
■	Sign
X	See Typical Construction Warning Sign Size and Spacing chart or the TMUTCD for sign spacing requirements.

SHEET 2 OF 12



BARRICADE AND CONSTRUCTION PROJECT LIMIT

BC(2)-21

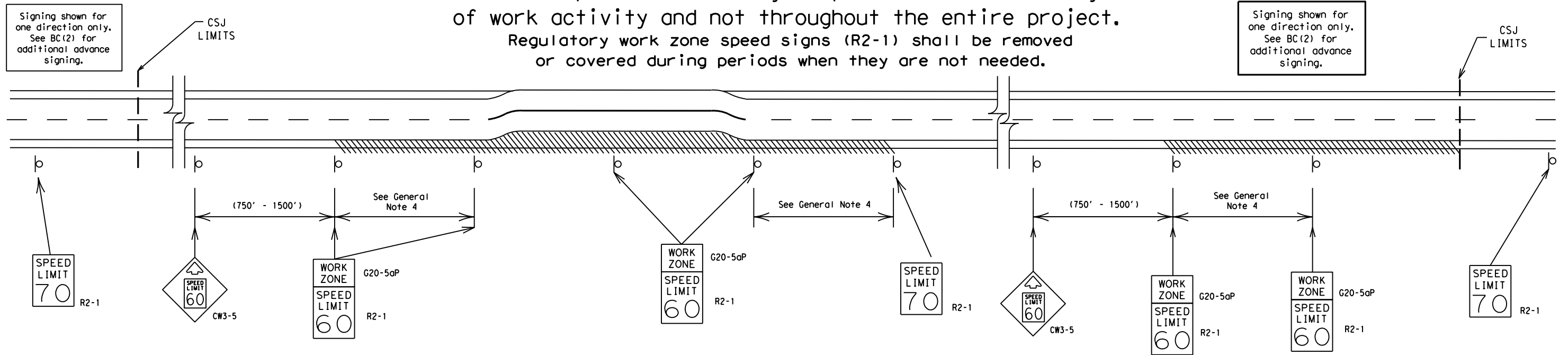
FILE: bc-21.dgn	DN: TxDOT	CK: TxDOT	DW: TxDOT	CR: TxDOT
© TxDOT November 2002	CONT	SECT	JOB	HIGHWAY
REVISIONS	6452	01	001	IH 37
9-07 8-14	DIST	COUNTY	SHEET NO.	
7-13 5-21	SAT	ATASCOSA	9	

DATE: FILE:

TYPICAL APPLICATION OF WORK ZONE SPEED LIMIT SIGNS

Work zone speed limits shall be regulatory, established in accordance with the "Procedures for Establishing Speed Zones," and approved by the Texas Transportation Commission, or by City Ordinance when within Incorporated City Limits.

Reduced speeds should only be posted in the vicinity of work activity and not throughout the entire project. Regulatory work zone speed signs (R2-1) shall be removed or covered during periods when they are not needed.



GUIDANCE FOR USE:

LONG/INTERMEDIATE TERM WORK ZONE SPEED LIMITS

This type of work zone speed limit should be included on the design of the traffic control plans when restricted geometrics with a lower design speed are present in the work zone and modification of the geometrics to a higher design speed is not feasible.

Long/Intermediate Term Work Zone Speed Limit signs, when approved as described above, should be posted and visible to the motorist when work activity is present. Work activity may also be defined as a change in the roadway that requires a reduced speed for motorists to safely negotiate the work area, including:

- rough road or damaged pavement surface
- substantial alteration of roadway geometrics (diversions)
- construction detours
- grade
- width
- other conditions readily apparent to the driver

As long as any of these conditions exist, the work zone speed limit signs should remain in place.

SHORT TERM WORK ZONE SPEED LIMITS

This type of work zone speed limit may be included on the design of the traffic control plans when workers or equipment are not behind concrete barrier, when work activity is within 10 feet of the traveled way or actually in the traveled way.

Short Term Work Zone Speed Limit signs should be posted and visible to the motorists only when work activity is present. When work activity is not present, signs shall be removed or covered. (See Removing or Covering on BC(4)).

GENERAL NOTES

- Regulatory work zone speed limits should be used only for sections of construction projects where speed control is of major importance.
- Regulatory work zone speed limit signs shall be placed on supports at a 7 foot minimum mounting height.
- Speed zone signs are illustrated for one direction of travel and are normally posted for each direction of travel.
- Frequency of work zone speed limit signs should be:

40 mph and greater	0.2 to 2 miles
35 mph and less	0.2 to 1 mile
- Regulatory speed limit signs shall have black legend and border on a white reflective background (See "Reflective Sheeting" on BC(4)).
- Fabrication, erection and maintenance of the "ADVANCE SPEED LIMIT" (CW3-5) sign, "WORK ZONE" (G20-5aP) plaque and the "SPEED LIMIT" (R2-1) signs shall not be paid for directly, but shall be considered subsidiary to Item 502.
- Turning signs from view, laying signs over or down will not be allowed, unless as otherwise noted under "REMOVING OR COVERING" on BC(4).
- Techniques that may help reduce traffic speeds include but are not limited to:
 - Law enforcement.
 - Flagger stationed next to sign.
 - Portable changeable message sign (PCMS).
 - Low-power (drone) radar transmitter.
 - Speed monitor trailers or signs.
- Speeds shown on details above are for illustration only. Work Zone Speed Limits should only be posted as approved for each project.
- For more specific guidance concerning the type of work, work zone conditions and factors impacting allowable regulatory construction speed zone reduction see TxDOT form #1204 in the TxDOT e-form system.

DISCLAIMER: The use of this standard is governed by the "Texas Engineering Practice Act". No warranty of any kind is made by TxDOT for any purpose whatsoever. TxDOT assumes no responsibility for the conversion of this standard to other formats or for incorrect results or damages resulting from its use.

DATE:
FILE:

SHEET 3 OF 12



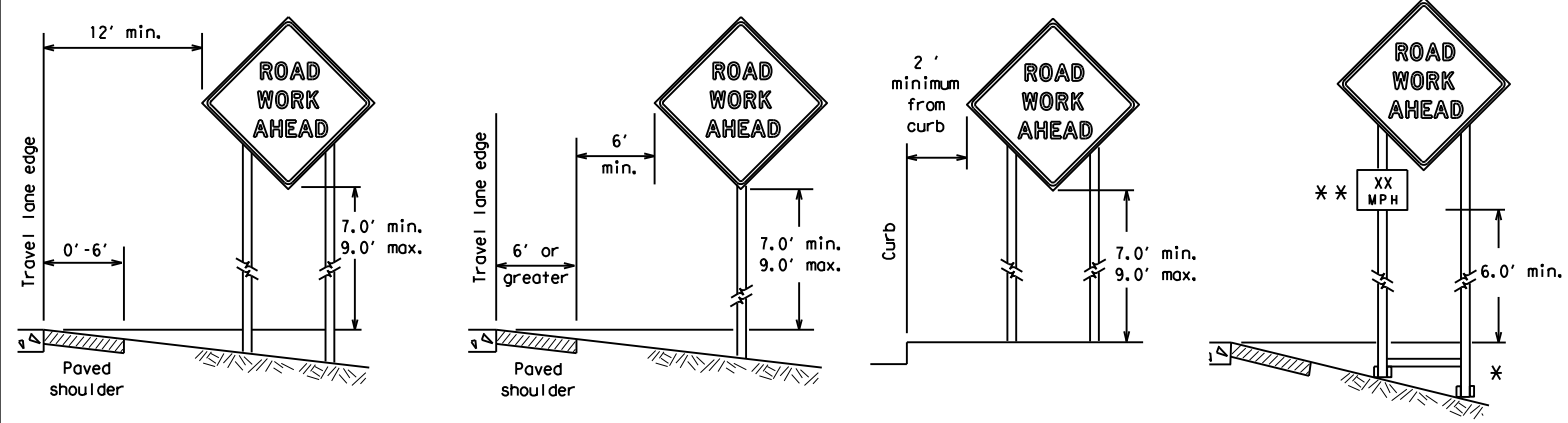
BARRICADE AND CONSTRUCTION WORK ZONE SPEED LIMIT

BC (3) - 21

FILE:	bc-21.dgn	DW:	TxDOT	CK:	TxDOT	DW:	TxDOT	CK:	TxDOT
© TxDOT	November 2002	CONT	SECT	JOB	HIGHWAY				
REVISIONS		6452	01	001	IH 37				
9-07	8-14	DIST	COUNTY		SHEET NO.				
7-13	5-21	SAT	ATASCOSA		10				

DISCLAIMER: The use of this standard is governed by the "Texas Engineering Practice Act". No warranty of any kind is made by TxDOT for any purpose whatsoever. TxDOT assumes no responsibility for the conversion of this standard to other formats or for incorrect results or damages resulting from its use.

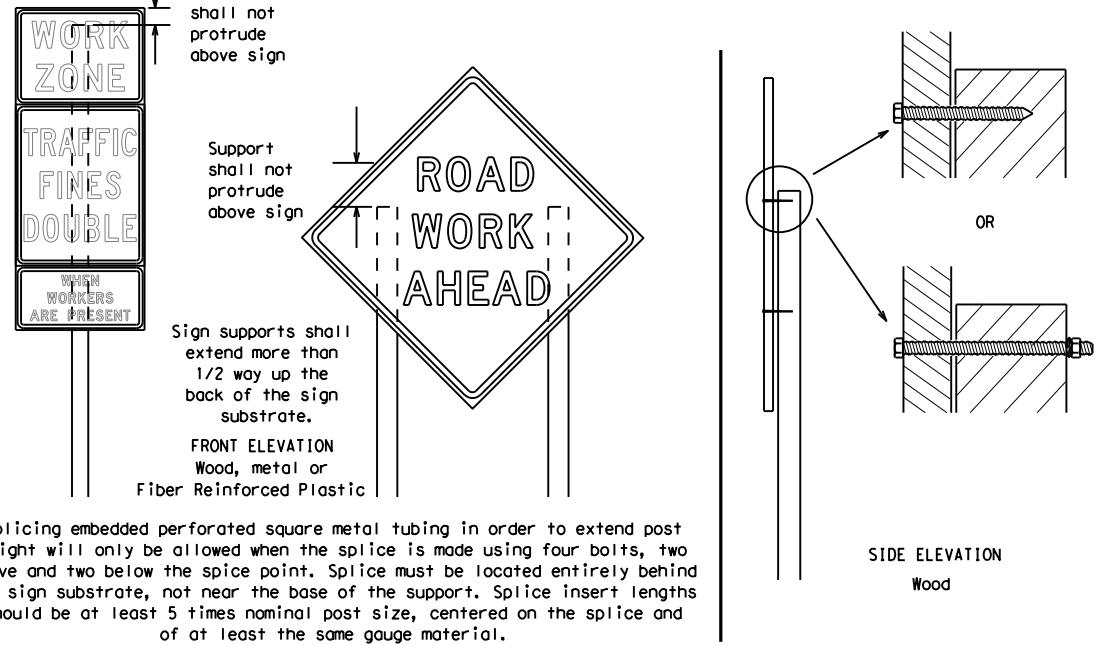
TYPICAL MINIMUM CLEARANCES FOR LONG TERM AND INTERMEDIATE TERM SIGNS



* When placing skid supports on unlevel ground, the leg post lengths must be adjusted so the sign appears straight and plumb. Objects shall NOT be placed under skids as a means of leveling.

** When plaques are placed on dual-leg supports, they should be attached to the upright nearest the travel lane. Supplemental plaques (advisory or distance) should not cover the surface of the parent sign.

ATTACHMENT FOR SIGN SUPPORTS



Splicing embedded perforated square metal tubing in order to extend post height will only be allowed when the splice is made using four bolts, two above and two below the splice point. Splice must be located entirely behind the sign substrate, not near the base of the support. Splice insert lengths should be at least 5 times nominal post size, centered on the splice and of at least the same gauge material.

GENERAL NOTES FOR WORK ZONE SIGNS

- Contractor shall install and maintain signs in a straight and plumb condition and/or as directed by the Engineer.
- Wooden sign posts shall be painted white.
- Barricades shall NOT be used as sign supports.
- All signs shall be installed in accordance with the plans or as directed by the Engineer. Signs shall be used to regulate, warn, and guide the traveling public safely through the work zone.
- The Contractor may furnish either the sign design shown in the plans or in the "Standard Highway Sign Designs for Texas" (SHSD). The Engineer/Inspector may require the Contractor to furnish other work zone signs that are shown in the TMUTCD but may have been omitted from the plans. Any variation in the plans shall be documented by written agreement between the Engineer and the Contractor's Responsible Person. All changes must be documented in writing before being implemented. This can include documenting the changes in the Inspector's TxDOT diary and having both the Inspector and Contractor initial and date the agreed upon changes.
- The Contractor shall furnish sign supports listed in the "Compliant Work Zone Traffic Control Device List" (CWZTCD) for small roadside signs. Supports for temporary large roadside signs shall meet the requirements detailed on the Temporary Large Roadside Signs (TLRS) standard sheets. The Contractor shall install the sign support in accordance with the manufacturer's recommendations. If there is a question regarding installation procedures, the Contractor shall furnish the Engineer a copy of the manufacturer's installation recommendations so the Engineer can verify the correct procedures are being followed.
- The Contractor is responsible for installing signs on approved supports and replacing signs with damaged or cracked substrates and/or damaged or marred reflective sheeting as directed by the Engineer/Inspector.
- Identification markings may be shown only on the back of the sign substrate. The maximum height of letters and/or company logos used for identification shall be 1 inch.
- The Contractor shall replace damaged wood posts. New or damaged wood sign posts shall not be spliced.

DURATION OF WORK (as defined by the "Texas Manual on Uniform Traffic Control Devices" Part 6)

- The types of sign supports, sign mounting height, the size of signs, and the type of sign substrates can vary based on the type of work being performed. The Engineer is responsible for selecting the appropriate size sign for the type of work being performed. The Contractor is responsible for ensuring the sign support, sign mounting height and substrate meets manufacturer's recommendations in regard to crashworthiness and duration of work requirements.
 - Long-term stationary - work that occupies a location more than 3 days.
 - Intermediate-term stationary - work that occupies a location more than one daylight period up to 3 days, or nighttime work lasting more than one hour.
 - Short-term stationary - daytime work that occupies a location for more than 1 hour in a single daylight period.
 - Short, duration - work that occupies a location up to 1 hour.
 - Mobile - work that moves continuously or intermittently (stopping for up to approximately 15 minutes.)

SIGN MOUNTING HEIGHT

- The bottom of Long-term/Intermediate-term signs shall be at least 7 feet, but not more than 9 feet, above the paved surface, except as shown for supplemental plaques mounted below other signs.
- The bottom of Short-term/Short Duration signs shall be a minimum of 1 foot above the pavement surface but no more than 2 feet above the ground.
- Long-term/Intermediate-term Signs may be used in lieu of Short-term/Short Duration signing.
- Short-term/Short Duration signs shall be used only during daylight and shall be removed at the end of the workday or raised to appropriate Long-term/Intermediate sign height.
- Regulatory signs shall be mounted at least 7 feet, but not more than 9 feet, above the paved surface regardless of work duration.

SIZE OF SIGNS

- The Contractor shall furnish the sign sizes shown on BC (2) unless otherwise shown in the plans or as directed by the Engineer.

SIGN SUBSTRATES

- The Contractor shall ensure the sign substrate is installed in accordance with the manufacturer's recommendations for the type of sign support that is being used. The CWZTCD lists each substrate that can be used on the different types and models of sign supports.
- "Mesh" type materials are NOT an approved sign substrate, regardless of the tightness of the weave.
- All wooden individual sign panels fabricated from 2 or more pieces shall have one or more plywood cleat, 1/2" thick by 6" wide, fastened to the back of the sign and extending fully across the sign. The cleat shall be attached to the back of the sign using wood screws that do not penetrate the face of the sign panel. The screws shall be placed on both sides of the splice and spaced at 6" centers. The Engineer may approve other methods of splicing the sign face.

REFLECTIVE SHEETING

- All signs shall be retroreflective and constructed of sheeting meeting the color and retro-reflectivity requirements of DMS-8300 for rigid signs or DMS-8310 for roll-up signs. The web address for DMS specifications is shown on BC(1).
- White sheeting, meeting the requirements of DMS-8300 Type A, shall be used for signs with a white background.
- Orange sheeting, meeting the requirements of DMS-8300 Type B_{FL} or Type C_{FL}, shall be used for rigid signs with orange backgrounds.

SIGN LETTERS

- All sign letters and numbers shall be clear, and open rounded type uppercase alphabet letters as approved by the Federal Highway Administration (FHWA) and as published in the "Standard Highway Sign Design for Texas" manual. Signs, letters and numbers shall be of first class workmanship in accordance with Department Standards and Specifications.

REMOVING OR COVERING

- When sign messages may be confusing or do not apply, the signs shall be removed or completely covered.
- Long-term stationary or intermediate stationary signs installed on square metal tubing may be turned away from traffic 90 degrees when the sign message is not applicable. This technique may not be used for signs installed in the median of divided highways or near any intersections where the sign may be seen from approaching traffic.
- Signs installed on wooden skids shall not be turned at 90 degree angles to the roadway. These signs should be removed or completely covered when not required.
- When signs are covered, the material used shall be opaque, such as heavy mil black plastic, or other materials which will cover the entire sign face and maintain their opaque properties under automobile headlights at night, without damaging the sign sheeting.
- Burlap shall NOT be used to cover signs.
- Duct tape or other adhesive material shall NOT be affixed to a sign face.
- Signs and anchor stubs shall be removed and holes backfilled upon completion of work.

SIGN SUPPORT WEIGHTS

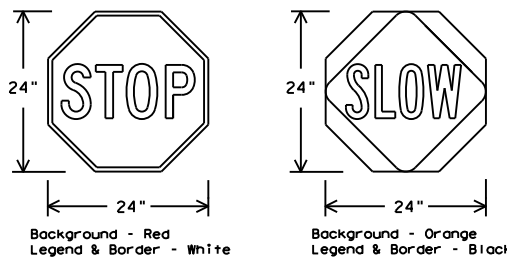
- Where sign supports require the use of weights to keep from turning over, the use of sandbags with dry, cohesionless sand should be used.
- The sandbags will be tied shut to keep the sand from spilling and to maintain a constant weight.
- Rock, concrete, iron, steel or other solid objects shall not be permitted for use as sign support weights.
- Sandbags should weigh a minimum of 35 lbs and a maximum of 50 lbs.
- Sandbags shall be made of a durable material that tears upon vehicular impact. Rubber (such as tire inner tubes) shall NOT be used.
- Rubber ballasts designed for channelizing devices should not be used for ballast on portable sign supports. Sign supports designed and manufactured with rubber bases may be used when shown on the CWZTCD list.
- Sandbags shall only be placed along or laid over the base supports of the traffic control device and shall not be suspended above ground level or hung with rope, wire, chains or other fasteners. Sandbags shall be placed along the length of the skids to weigh down the sign support.
- Sandbags shall NOT be placed under the skid and shall not be used to level sign supports placed on slopes.

FLAGS ON SIGNS

- Flags may be used to draw attention to warning signs. When used, the flag shall be 16 inches square or larger and shall be orange or fluorescent red-orange in color. Flags shall not be allowed to cover any portion of the sign face.

STOP/SLOW PADDLES

- STOP/SLOW paddles are the primary method to control traffic by flaggers. The STOP/SLOW paddle size should be 24" x 24".
- STOP/SLOW paddles shall be retroreflective when used at night.
- STOP/SLOW paddles may be attached to a staff with a minimum length of 6' to the bottom of the sign.
- Any lights incorporated into the STOP or SLOW paddle faces shall only be as specifically described in Section 6E.03 Hand Signaling Devices in the TMUTCD.



SHEETING REQUIREMENTS (WHEN USED AT NIGHT)		
USAGE	COLOR	SIGN FACE MATERIAL
BACKGROUND	RED	TYPE B OR C SHEETING
BACKGROUND	ORANGE	TYPE B _{FL} OR C _{FL} SHEETING
LEGEND & BORDER	WHITE	TYPE B OR C SHEETING
LEGEND & BORDER	BLACK	ACRYLIC NON-REFLECTIVE FILM

CONTRACTOR REQUIREMENTS FOR MAINTAINING PERMANENT SIGNS WITHIN THE PROJECT LIMITS

- Permanent signs are used to give notice of traffic laws or regulations, call attention to conditions that are potentially hazardous to traffic operations, show route designations, destinations, directions, distances, services, points of interest, and other geographical, recreational, specific service (LOGO), or cultural information. Drivers proceeding through a work zone need the same, if not better route guidance as normally installed on a roadway without construction.
- When permanent regulatory or warning signs conflict with work zone conditions, remove or cover the permanent signs until the permanent sign message matches the roadway condition. For details for covering large guide signs see the TS-CD standard.
- When existing permanent signs are moved and relocated due to construction purposes, they shall be visible to motorists at all times.
- If existing signs are to be relocated on their original supports, they shall be installed on crashworthy bases as shown on the SMD Standard sheets. The signs shall meet the required mounting heights shown on the BC Sheets or the SMD Standards. This work should be paid for under the appropriate pay item for relocating existing signs.
- If permanent signs are to be removed and relocated using temporary supports, the Contractor shall use crashworthy supports as shown on the BC standard sheets, TLRS standard sheets or the CWZTCD list. The signs shall meet the required mounting heights shown on the BC, or the SMD standard sheets during construction. This work should be paid for under the appropriate pay item for relocating existing signs.
- Any sign or traffic control device that is struck or damaged by the Contractor or his/her construction equipment shall be replaced as soon as possible by the Contractor to ensure proper guidance for the motorists. This will be subsidiary to Item 502.



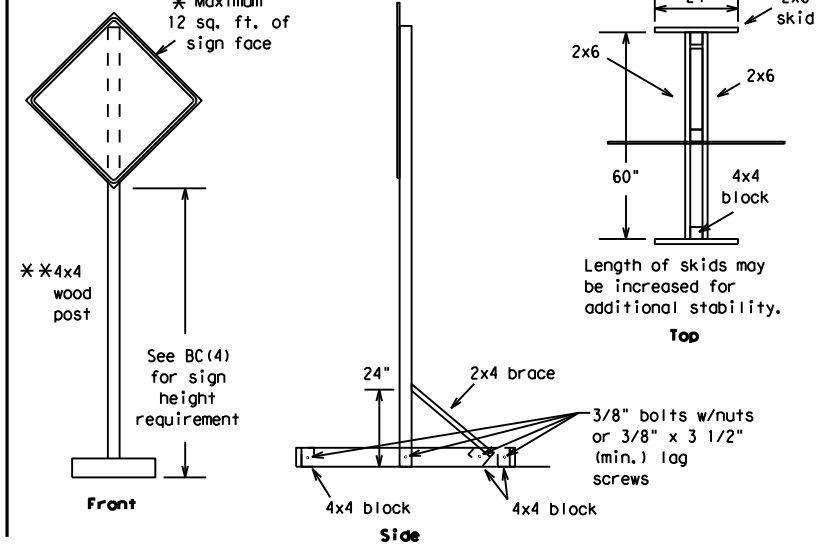
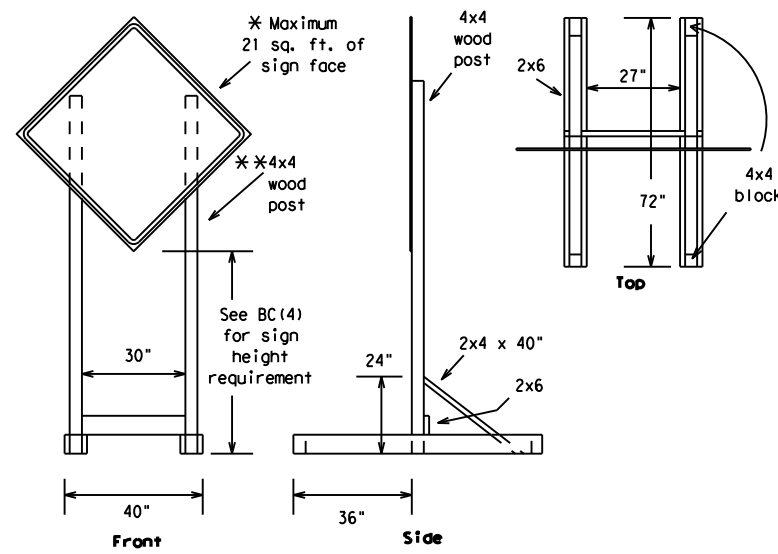
BARRICADE AND CONSTRUCTION TEMPORARY SIGN NOTES

BC (4) - 21

FILE:	bc-21.dgn	DN:	TxDOT	CK:	TxDOT	OW:	TxDOT	CR:	TxDOT
© TxDOT	November 2002	CONT	SECT	JOB	HIGHWAY				
REVISIONS		6452	01	001	IH 37				
9-07	8-14	DIST	COUNTY	SHEET NO.					
7-13	5-21	SAT	ATASCOSA	11					

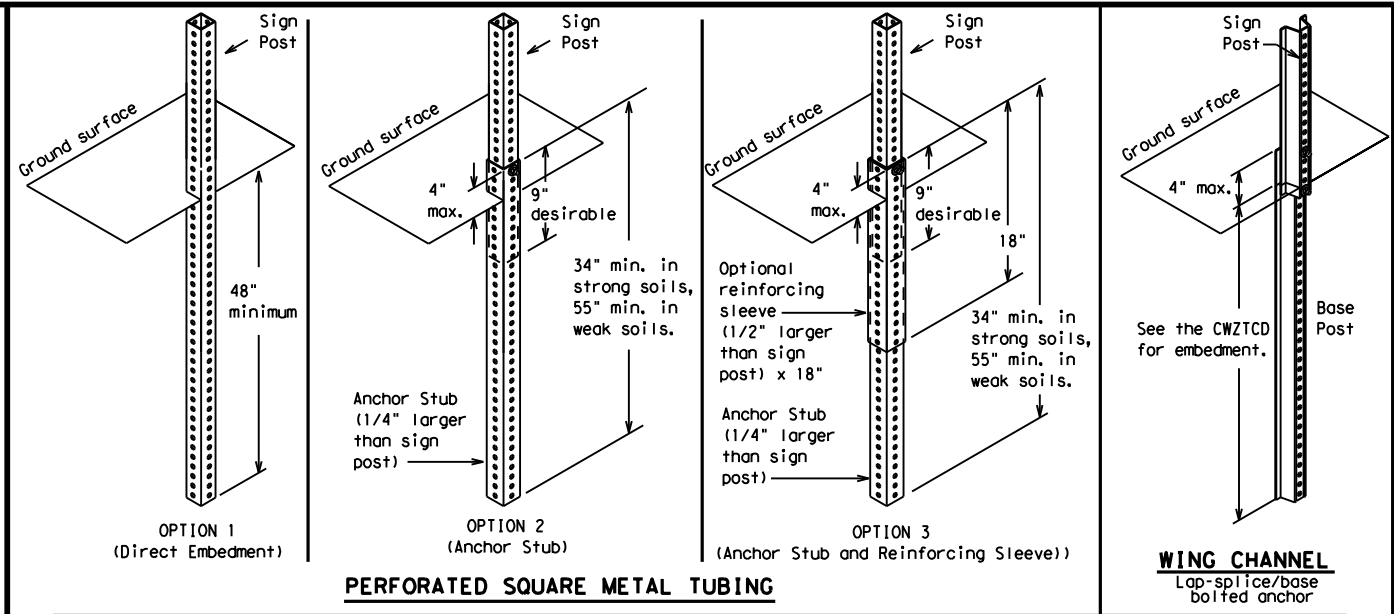
DATE:
FILE:

DISCLAIMER: The use of this standard is governed by the "Texas Engineering Practice Act". No warranty of any kind is made by TxDOT for any purpose whatsoever. TxDOT assumes no responsibility for the conversion of this standard to other formats or for incorrect results or damages resulting from its use.



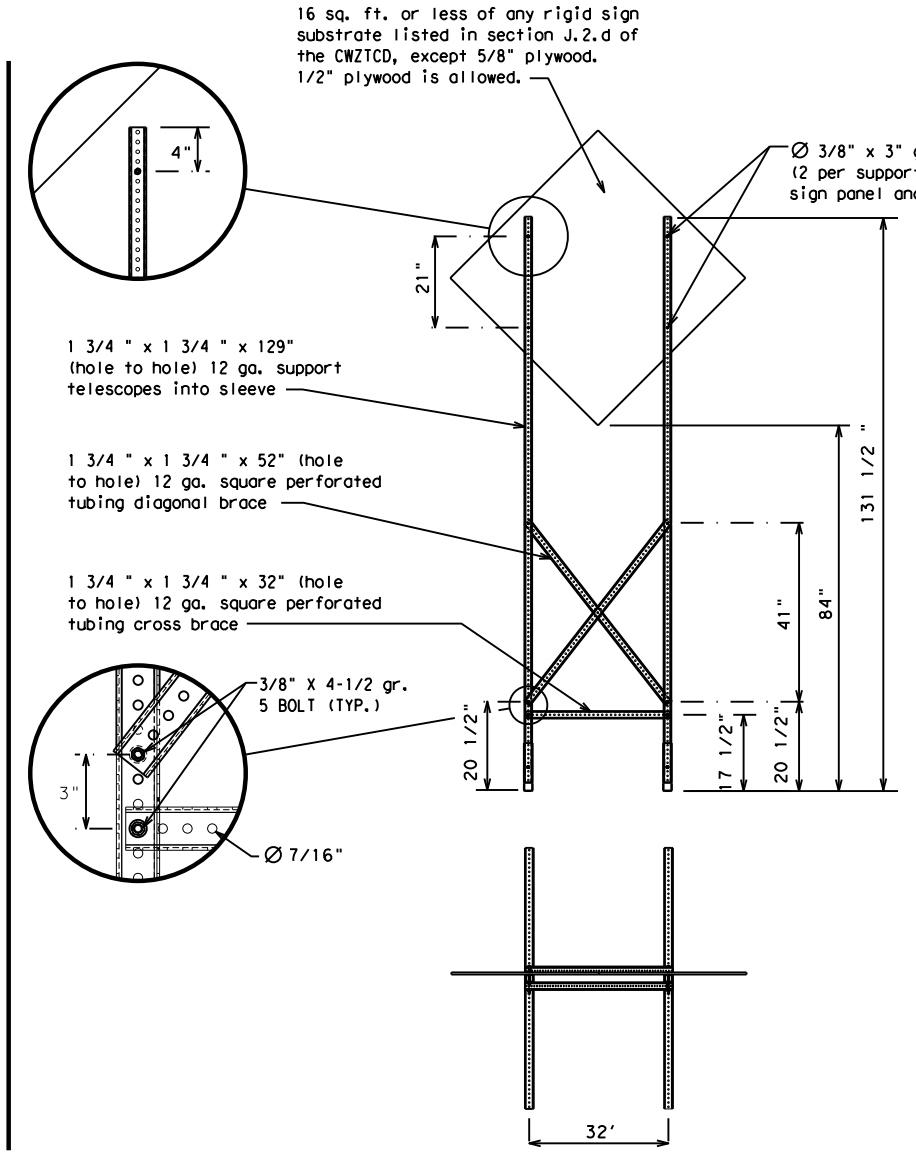
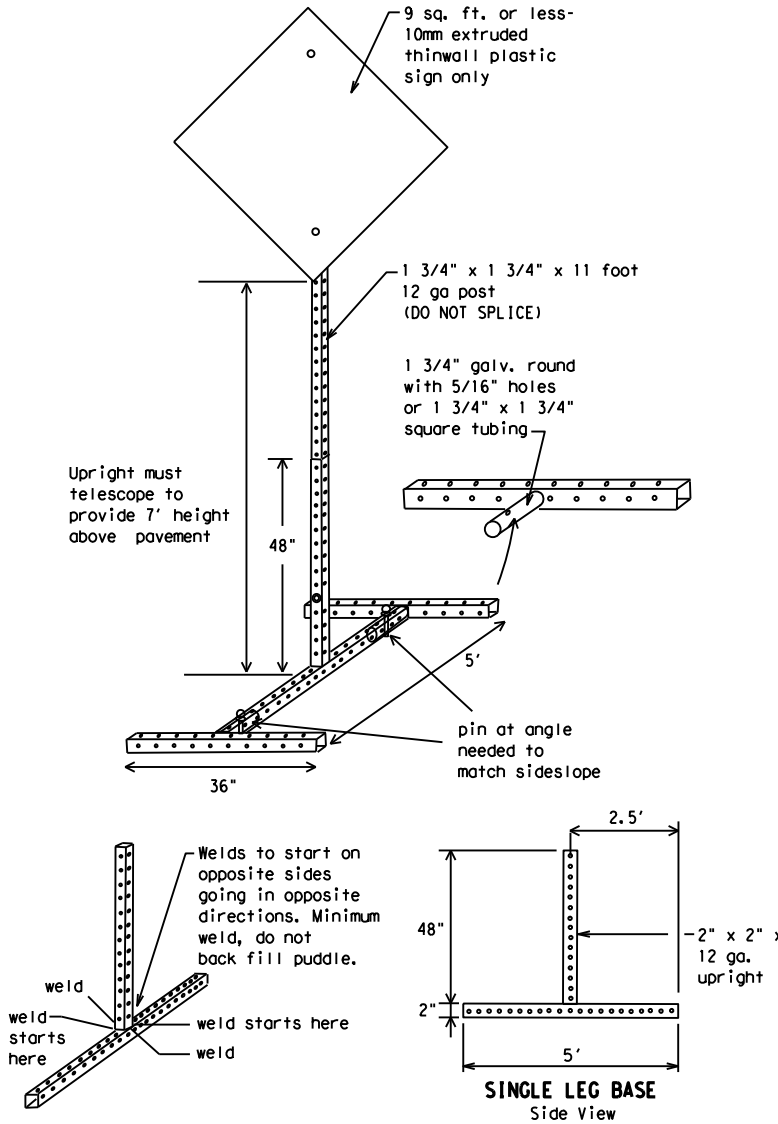
SKID MOUNTED WOOD SIGN SUPPORTS

* LONG/INTERMEDIATE TERM STATIONARY - PORTABLE SKID MOUNTED SIGN SUPPORTS



GROUND MOUNTED SIGN SUPPORTS

Refer to the CWZTCD and the manufacturer's installation procedure for each type sign support. The maximum sign square footage shall adhere to the manufacturer's recommendation. Two post installations can be used for larger signs.



SKID MOUNTED PERFORATED SQUARE STEEL TUBING SIGN SUPPORTS

* LONG/INTERMEDIATE TERM STATIONARY - PORTABLE SKID MOUNTED SIGN SUPPORTS

WEDGE ANCHORS

Both steel and plastic Wedge Anchor Systems as shown on the SMD Standard Sheets may be used as temporary sign supports for signs up to 10 square feet of sign face. They may be set in concrete or in sturdy soils if approved by the Engineer. (See web address for "Traffic Engineering Standard Sheets" on BC(1)).

OTHER DESIGNS

MORE DETAILS OF APPROVED LONG/INTERMEDIATE AND SHORT TERM SUPPORTS CAN BE FOUND ON THE CWZTCD LIST. SEE BC(1) FOR WEBSITE LOCATION.

GENERAL NOTES

- Nails may be used in the assembly of wooden sign supports, but 3/8" bolts with nuts or 3/8" x 3 1/2" lag screws must be used on every joint for final connection.
- No more than 2 sign posts shall be placed within a 7 ft. circle, except for specific materials noted on the CWZTCD List.
- When project is completed, all sign supports and foundations shall be removed from the project site. This will be considered subsidiary to Item 502.

- * See BC(4) for definition of "Work Duration."
- ** Wood sign posts MUST be one piece. Splicing will NOT be allowed. Posts shall be painted white.
- See the CWZTCD for the type of sign substrate that can be used for each approved sign support.

SHEET 5 OF 12



BARRICADE AND CONSTRUCTION TYPICAL SIGN SUPPORT

BC(5) - 21

FILE: bc-21.dgn	DN: TxDOT	CK: TxDOT	OW: TxDOT	CR: TxDOT
© TxDOT November 2002	CONT	SECT	JOB	HIGHWAY
REVISIONS	6452	01	001	IH 37
9-07 8-14	DIST	COUNTY	SHEET NO.	
7-13 5-21	SAT	ATASCOSA	12	

DATE:
FILE:

WHEN NOT IN USE, REMOVE THE PCMS FROM THE RIGHT-OF-WAY OR PLACE THE PCMS BEHIND BARRIER OR GUARDRAIL WITH SIGN PANEL TURNED PARALLEL TO TRAFFIC

RECOMMENDED PHASES AND FORMATS FOR PCMS MESSAGES DURING ROADWORK ACTIVITIES

(The Engineer may approve other messages not specifically covered here.)

PORTABLE CHANGEABLE MESSAGE SIGNS

- The Engineer/Inspector shall approve all messages used on portable changeable message signs (PCMS).
- Messages on PCMS should contain no more than 8 words (about four to eight characters per word), not including simple words such as "TO," "FOR," "AT," etc.
- Messages should consist of a single phase, or two phases that alternate. Three-phase messages are not allowed. Each phase of the message should convey a single thought, and must be understood by itself.
- Use the word "EXIT" to refer to an exit ramp on a freeway; i.e., "EXIT CLOSED." Do not use the term "RAMP."
- Always use the route or interstate designation (IH, US, SH, FM) along with the number when referring to a roadway.
- When in use, the bottom of a stationary PCMS message panel should be a minimum 7 feet above the roadway, where possible.
- The message term "WEEKEND" should be used only if the work is to start on Saturday morning and end by Sunday evening at midnight. Actual days and hours of work should be displayed on the PCMS if work is to begin on Friday evening and/or continue into Monday morning.
- The Engineer/Inspector may select one of two options which are available for displaying a two-phase message on a PCMS. Each phase may be displayed for either four seconds each or for three seconds each.
- Do not "flash" messages or words included in a message. The message should be steady burn or continuous while displayed.
- Do not present redundant information on a two-phase message; i.e., keeping two lines of the message the same and changing the third line.
- Do not use the word "Danger" in message.
- Do not display the message "LANES SHIFT LEFT" or "LANES SHIFT RIGHT" on a PCMS. Drivers do not understand the message.
- Do not display messages that scroll horizontally or vertically across the face of the sign.
- The following table lists abbreviated words and two-word phrases that are acceptable for use on a PCMS. Both words in a phrase must be displayed together. Words or phrases not on this list should not be abbreviated, unless shown in the TMUTCD.
- PCMS character height should be at least 18 inches for trailer mounted units. They should be visible from at least 1/2 (.5) mile and the text should be legible from at least 600 feet at night and 800 feet in daylight. Truck mounted units must have a character height of 10 inches and must be legible from at least 400 feet.
- Each line of text should be centered on the message board rather than left or right justified.
- If disabled, the PCMS should default to an illegible display that will not alarm motorists and will only be used to alert workers that the PCMS has malfunctioned. A pattern such as a series of horizontal solid bars is appropriate.

Phase 1: Condition Lists

Road/Lane/Ramp Closure List

FREEWAY CLOSED X MILE
ROAD CLOSED AT SH XXX
ROAD CLSD AT FM XXXX
RIGHT X LANES CLOSED
CENTER LANE CLOSED
NIGHT LANE CLOSURES
VARIOUS LANES CLOSED
EXIT CLOSED
MALL DRIVEWAY CLOSED
XXXXXXXX BLVD CLOSED

Other Condition List

FRONTAGE ROAD CLOSED
SHOULDER CLOSED XXX FT
RIGHT LN CLOSED XXX FT
RIGHT X LANES OPEN
DAYTIME LANE CLOSURES
I-XX SOUTH EXIT CLOSED
EXIT XXX CLOSED X MILE
RIGHT LN TO BE CLOSED
X LANES CLOSED TUE - FRI
ROADWORK XXX FT
FLAGGER XXXX FT
RIGHT LN NARROWS XXXX FT
MERGING TRAFFIC XXXX FT
LOOSE GRAVEL XXXX FT
DETOUR X MILE
ROADWORK PAST SH XXXX
BUMP XXXX FT
TRAFFIC SIGNAL XXXX FT
ROAD REPAIRS XXXX FT
LANE NARROWS XXXX FT
TWO-WAY TRAFFIC XX MILE
CONST TRAFFIC XXX FT
UNEVEN LANES XXXX FT
ROUGH ROAD XXXX FT
ROADWORK NEXT FRI-SUN
US XXX EXIT X MILES
LANES SHIFT *

* LANES SHIFT in Phase 1 must be used with STAY IN LANE in Phase 2.

Phase 2: Possible Component Lists

Action to Take/Effect on Travel List

MERGE RIGHT
DETOUR NEXT X EXITS
USE EXIT XXX
STAY ON US XXX SOUTH
TRUCKS USE US XXX N
WATCH FOR TRUCKS
EXPECT DELAYS
REDUCE SPEED XXX FT
USE OTHER ROUTES
STAY IN LANE *
FORM X LINES RIGHT
USE XXXXX RD EXIT
USE EXIT I-XX NORTH
USE I-XX E TO I-XX N
WATCH FOR TRUCKS
EXPECT DELAYS
END SHOULDER USE
WATCH FOR WORKERS

Location List

AT FM XXXX
BEFORE RAILROAD CROSSING
NEXT X MILES
PAST US XXX EXIT
XXXXXXXX TO XXXXXX
US XXX TO FM XXXX

Warning List

SPEED LIMIT XX MPH
MAXIMUM SPEED XX MPH
MINIMUM SPEED XX MPH
ADVISORY SPEED XX MPH
RIGHT LANE EXIT
USE CAUTION
DRIVE SAFELY
DRIVE WITH CARE

** Advance Notice List

TUE-FRI XX AM-X PM
APR XX-XX X PM-X AM
BEGINS MONDAY
BEGINS MAY XX
MAY X-X XX PM - XX AM
NEXT FRI-SUN
XX AM TO XX PM
NEXT TUE AUG XX
TONIGHT XX PM-XX AM

** See Application Guidelines Note 6.

APPLICATION GUIDELINES

- Only 1 or 2 phases are to be used on a PCMS.
- The 1st phase (or both) should be selected from the "Road/Lane/Ramp Closure List" and the "Other Condition List".
- A 2nd phase can be selected from the "Action to Take/Effect on Travel, Location, General Warning, or Advance Notice Phase Lists".
- A Location Phase is necessary only if a distance or location is not included in the first phase selected.
- If two PCMS are used in sequence, they must be separated by a minimum of 1000 ft. Each PCMS shall be limited to two phases, and should be understandable by themselves.
- For advance notice, when the current date is within seven days of the actual work date, calendar days should be replaced with days of the week. Advance notification should typically be for no more than one week prior to the work.

WORDING ALTERNATIVES

- The words RIGHT, LEFT and ALL can be interchanged as appropriate.
- Roadway designations IH, US, SH, FM and LP can be interchanged as appropriate.
- EAST, WEST, NORTH and SOUTH (or abbreviations E, W, N and S) can be interchanged as appropriate.
- Highway names and numbers replaced as appropriate.
- ROAD, HIGHWAY and FREEWAY can be interchanged as needed.
- AHEAD may be used instead of distances if necessary.
- FT and MI, MILE and MILES interchanged as appropriate.
- AT, BEFORE and PAST interchanged as needed.
- Distances or AHEAD can be eliminated from the message if a location phase is used.

PCMS SIGNS WITHIN THE R.O.W. SHALL BE BEHIND GUARDRAIL OR CONCRETE BARRIER OR SHALL HAVE A MINIMUM OF FOUR (4) PLASTIC DRUMS PLACED PERPENDICULAR TO TRAFFIC ON THE UPSTREAM SIDE OF THE PCMS, WHEN EXPOSED TO ONE DIRECTION OF TRAFFIC. WHEN EXPOSED TO TWO WAY TRAFFIC, THE FOUR DRUMS SHOULD BE PLACED WITH ONE DRUM AT EACH OF THE FOUR CORNERS OF THE UNIT.

FULL MATRIX PCMS SIGNS

- When Full Matrix PCMS signs are used, the character height and legibility/visibility requirements shall be maintained as listed in Note 15 under "PORTABLE CHANGEABLE MESSAGE SIGNS" above.
- When symbol signs, such as the "Flagger Symbol" (CW20-7) are represented graphically on the Full Matrix PCMS sign and, with the approval of the Engineer, it shall maintain the legibility/visibility requirement listed above.
- When symbol signs are represented graphically on the Full Matrix PCMS, they shall only supplement the use of the static sign represented, and shall not substitute for, or replace that sign.
- A full matrix PCMS may be used to simulate a flashing arrow board provided it meets the visibility, flash rate and dimming requirements on BC(7), for the same size arrow.

DISCLAIMER: The use of this standard is governed by the "Texas Engineering Practice Act". No warranty of any kind is made by TxDOT for any purpose whatsoever. TxDOT assumes no responsibility for the conversion of this standard to other formats or for incorrect results or damages resulting from its use.

DATE: FILE:

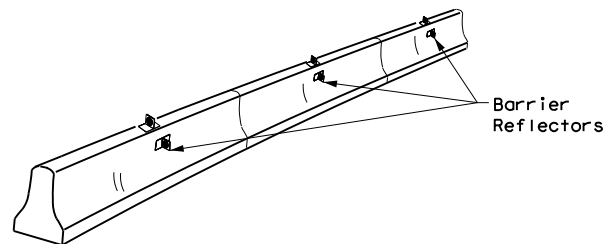
WORD OR PHRASE	ABBREVIATION	WORD OR PHRASE	ABBREVIATION
Access Road	ACCS RD	Major	MAJ
Alternate	ALT	Miles	MI
Avenue	AVE	Miles Per Hour	MPH
Best Route	BEST RTE	Minor	MNR
Boulevard	BLVD	Monday	MON
Bridge	BRDG	Normal	NORM
Canal	CANT	North	N
Center	CTR	Northbound	(route) N
Construction Ahead	CONST AHD	Parking	PKING
CROSSING	XING	Road	RD
Detour Route	DETOUR RTE	Right Lane	RT LN
Do Not	DONT	Saturday	SAT
East	E	Service Road	SERV RD
Eastbound	(route) E	Shoulder	SHLDR
Emergency	EMER	Slippery	SLIP
Emergency Vehicle	EMER VEH	South	S
Entrance, Enter	ENT	Southbound	(route) S
Express Lane	EXP LN	Speed	SPD
Expressway	EXPWY	Street	ST
XXXX Feet	XXXX FT	Sunday	SUN
Fog Ahead	FOG AHD	Telephone	PHONE
Freeway	FRWY, FWY	Temporary	TEMP
Freeway Blocked	FWY BLKD	Thursday	THURS
Friday	FRI	To Downtown	TO DWNTN
Hazardous Driving	HAZ DRIVING	Traffic	TRAF
Hazardous Material	HAZMAT	Travelers	TRVLR
High-Occupancy Vehicle	HOV	Tuesday	TUES
Highway	HWY	Time Minutes	TIME MIN
Hour(s)	HR, HRS	Upper Level	UPR LEVEL
Information	INFO	Vehicles (s)	VEH, VEHS
It Is	ITS	Warning	WARN
Junction	JCT	Wednesday	WED
Left	LFT	Weight Limit	WT LIMIT
Left Lane	LFT LN	West	W
Lane Closed	LN CLOSED	Westbound	(route) W
Lower Level	LWR LEVEL	Wet Pavement	WET PVMT
Maintenance	MAINT	Will Not	WONT

Roadway designation # IH-number, US-number, SH-number, FM-number

<h3>BARRICADE AND CONSTRUCTION PORTABLE CHANGEABLE MESSAGE SIGN (PCMS)</h3>			
<h2>BC (6) - 21</h2>			
FILE: bc-21.dgn	DN: TxDOT	CR: TxDOT	DW: TxDOT
© TxDOT November 2002	CONT: 6452	SECT: 01	JOB: 001
REVISIONS: 9-07 8-14			HIGHWAY: IH 37
7-13 5-21			SHEET NO. 13
	DIST: SAT	COUNTY: ATASCOSA	

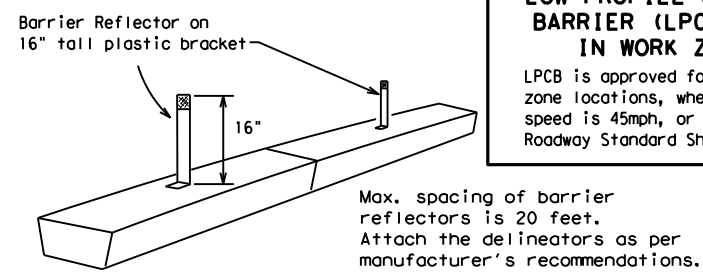
DISCLAIMER: The use of this standard is governed by the "Texas Engineering Practice Act". No warranty of any kind is made by TxDOT for any purpose whatsoever. TxDOT assumes no responsibility for the conversion of this standard to other formats or for incorrect results or damages resulting from its use.

- Barrier Reflectors shall be pre-qualified, and conform to the color and reflectivity requirements of DMS-8600. A list of prequalified Barrier Reflectors can be found at the Material Producer List web address shown on BC(1).
- Color of Barrier Reflectors shall be as specified in the TMUTCD. The cost of the reflectors shall be considered subsidiary to Item 512.



CONCRETE TRAFFIC BARRIER (CTB)

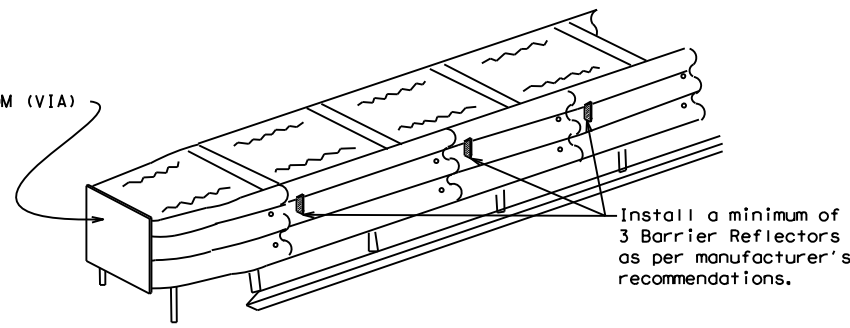
- Where traffic is on one side of the CTB, two (2) Barrier Reflectors shall be mounted in approximately the midsection of each section of CTB. An alternate mounting location is uniformly spaced at one end of each CTB. This will allow for attachment of a barrier grapple without damaging the reflector. The Barrier Reflector mounted on the side of the CTB shall be located directly below the reflector mounted on top of the barrier, as shown in the detail above.
- Where CTB separates two-way traffic, three barrier reflectors shall be mounted on each section of CTB. The reflector unit on top shall have two yellow reflective faces (Bi-Directional) while the reflectors on each side of the barrier shall have one yellow reflective face, as shown in the detail above.
- When CTB separates traffic traveling in the same direction, no barrier reflectors will be required on top of the CTB.
- Barrier Reflector units shall be yellow or white in color to match the edgeline being supplemented.
- Maximum spacing of Barrier Reflectors is forty (40) feet.
- Pavement markers or temporary flexible-reflective roadway marker tabs shall NOT be used as CTB delineation.
- Attachment of Barrier Reflectors to CTB shall be per manufacturer's recommendations.
- Missing or damaged Barrier Reflectors shall be replaced as directed by the Engineer.
- Single slope barriers shall be delineated as shown on the above detail.



LOW PROFILE CONCRETE BARRIER (LPCB) USED IN WORK ZONES

LPCB is approved for use in work zone locations, where the posted speed is 45mph, or less. See Roadway Standard Sheet LPCB.

LOW PROFILE CONCRETE BARRIER (LPCB)



DELINEATION OF END TREATMENTS

END TREATMENTS FOR CTB'S USED IN WORK ZONES

End treatments used on CTB's in work zones shall meet the appropriate crashworthy standards as defined in the Manual for Assessing Safety Hardware (MASH). Refer to the CWZTCD List for approved end treatments and manufacturers.

BARRIER REFLECTORS FOR CONCRETE TRAFFIC BARRIER AND ATTENUATORS

WARNING LIGHTS

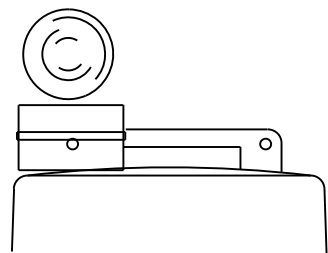
- Warning lights shall meet the requirements of the TMUTCD.
- Warning lights shall NOT be installed on barricades.
- Type A-Low Intensity Flashing Warning Lights are commonly used with drums. They are intended to warn of or mark a potentially hazardous area. Their use shall be as indicated on this sheet and/or other sheets of the plans by the designation "FL". The Type A Warning Lights shall not be used with signs manufactured with Type B_{FL} or C_{FL} Sheeting meeting the requirements of Departmental Material Specification DMS-8300.
- Type-C and Type D 360 degree Steady Burn Lights are intended to be used in a series for delineation to supplement other traffic control devices. Their use shall be as indicated on this sheet and/or other sheets of the plans by the designation "SB".
- The Engineer/Inspector or the plans shall specify the location and type of warning lights to be installed on the traffic control devices.
- When required by the Engineer, the Contractor shall furnish a copy of the warning lights certification. The warning light manufacturer will certify the warning lights meet the requirements of the latest ITE Purchase Specifications for Flashing and Steady-Burn Warning Lights.
- When used to delineate curves, Type-C and Type D Steady Burn Lights should only be placed on the outside of the curve, not the inside.
- The location of warning lights and warning reflectors on drums shall be as shown elsewhere in the plans.

WARNING LIGHTS MOUNTED ON PLASTIC DRUMS

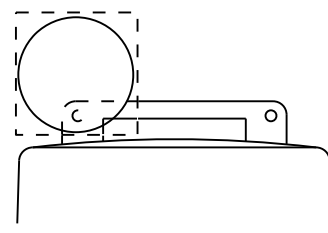
- Type A flashing warning lights are intended to warn drivers that they are approaching or are in a potentially hazardous area.
- Type A random flashing warning lights are not intended for delineation and shall not be used in a series.
- A series of sequential flashing warning lights placed on channelizing devices to form a merging taper may be used for delineation. If used, the successive flashing of the sequential warning lights should occur from the beginning of the taper to the end of the merging taper in order to identify the desired vehicle path. The rate of flashing for each light shall be 65 flashes per minute, plus or minus 10 flashes.
- Type C and D steady-burn warning lights are intended to be used in a series to delineate the edge of the travel lane on detours, on lane changes, on lane closures, and on other similar conditions.
- Type A, Type C and Type D warning lights shall be installed at locations as detailed on other sheets in the plans.
- Warning lights shall not be installed on a drum that has a sign, chevron or vertical panel.
- The maximum spacing for warning lights on drums should be identical to the channelizing device spacing.

WARNING REFLECTORS MOUNTED ON PLASTIC DRUMS AS A SUBSTITUTE FOR TYPE C (STEADY BURN) WARNING LIGHTS

- A warning reflector or approved substitute may be mounted on a plastic drum as a substitute for a Type C, steady burn warning light at the discretion of the Contractor unless otherwise noted in the plans.
- The warning reflector shall be yellow in color and shall be manufactured using a sign substrate approved for use with plastic drums listed on the CWZTCD.
- The warning reflector shall have a minimum retroreflective surface area (one-side) of 30 square inches.
- Round reflectors shall be fully reflectorized, including the area where attached to the drum.
- Square substrates must have a minimum of 30 square inches of reflectorized sheeting. They do not have to be reflectorized where it attaches to the drum.
- The side of the warning reflector facing approaching traffic shall have sheeting meeting the color and retroreflectivity requirements for DMS 8300-Type B or Type C.
- When used near two-way traffic, both sides of the warning reflector shall be reflectorized.
- The warning reflector should be mounted on the side of the handle nearest approaching traffic.
- The maximum spacing for warning reflectors should be identical to the channelizing device spacing requirements.



Type C Warning Light or approved substitute mounted on a drum adjacent to the travel way.

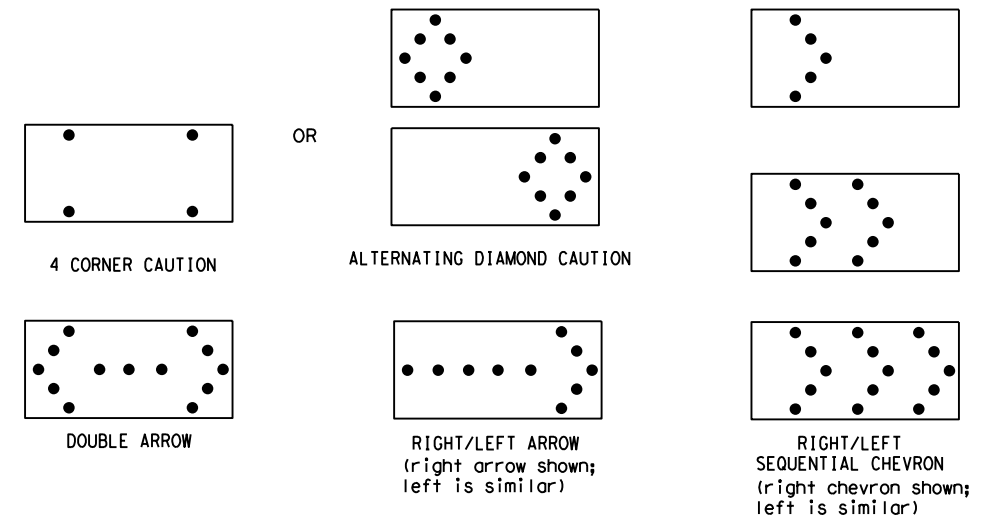


Warning reflector may be round or square. Must have a yellow reflective surface area of at least 30 square inches

DATE:
FILE:

Arrow Boards may be located behind channelizing devices in place for a shoulder taper or merging taper, otherwise they shall be delineated with four (4) channelizing devices placed perpendicular to traffic on the upstream side of traffic.

- The Flashing Arrow Board should be used for all lane closures on multi-lane roadways, or slow moving maintenance or construction activities on the travel lanes.
- Flashing Arrow Boards should not be used on two-lane, two-way roadways, detours, diversions or work on shoulders unless the "CAUTION" display (see detail below) is used.
- The Engineer/Inspector shall choose all appropriate signs, barricades and/or other traffic control devices that should be used in conjunction with the Flashing Arrow Board.
- The Flashing Arrow Board should be able to display the following symbols:



- The "CAUTION" display consists of four corner lamps flashing simultaneously, or the Alternating Diamond Caution mode as shown.
- The straight line caution display is NOT ALLOWED.
- The Flashing Arrow Board shall be capable of minimum 50 percent dimming from rated lamp voltage. The flashing rate of the lamps shall not be less than 25 nor more than 40 flashes per minute.
- Minimum lamp "on time" shall be approximately 50 percent for the flashing arrow and equal intervals of 25 percent for each sequential phase of the flashing chevron.
- The sequential arrow display is NOT ALLOWED.
- The flashing arrow display is the TxDOT standard; however, the sequential chevron display may be used during daylight operations.
- The Flashing Arrow Board shall be mounted on a vehicle, trailer or other suitable support.
- A Flashing Arrow Board SHALL NOT BE USED to laterally shift traffic.
- A full matrix PCMS may be used to simulate a Flashing Arrow Board provided it meets visibility, flash rate and dimming requirements on this sheet for the same size arrow.
- Minimum mounting height of trailer mounted Arrow Boards should be 7 feet from roadway to bottom of panel.

REQUIREMENTS			
TYPE	MINIMUM SIZE	MINIMUM NUMBER OF PANEL LAMPS	MINIMUM VISIBILITY DISTANCE
B	30 x 60	13	3/4 mile
C	48 x 96	15	1 mile

ATTENTION
Flashing Arrow Boards shall be equipped with automatic dimming devices.

WHEN NOT IN USE, REMOVE THE ARROW BOARD FROM THE RIGHT-OF-WAY OR PLACE THE ARROW BOARD BEHIND CONCRETE TRAFFIC BARRIER OR GUARDRAIL.

FLASHING ARROW BOARDS

SHEET 7 OF 12

TRUCK-MOUNTED ATTENUATORS

- Truck-mounted attenuators (TMA) used on TxDOT facilities must meet the requirements outlined in the Manual for Assessing Safety Hardware (MASH).
- Refer to the CWZTCD for the requirements of Level 2 or Level 3 TMAs.
- Refer to the CWZTCD for a list of approved TMAs.
- TMAs are required on freeways unless otherwise noted in the plans.
- A TMA should be used anytime that it can be positioned 30 to 100 feet in advance of the area of crew exposure without adversely affecting the work performance.
- The only reason a TMA should not be required is when a work area is spread down the roadway and the work crew is an extended distance from the TMA.



BARRICADE AND CONSTRUCTION ARROW PANEL, REFLECTORS, WARNING LIGHTS & ATTENUATOR

BC (7) -21

FILE:	bc-21.dgn	DN:	TxDOT	CR:	TxDOT	OW:	TxDOT	CK:	TxDOT
© TxDOT	November 2002	CONT	SECT	JOB	HIGHWAY				
REVISIONS		6452	01	001	IH 37				
9-07	8-14	DIST	COUNTY	SHEET NO.					
7-13	5-21	SAT	ATASCOSA	14					

DISCLAIMER: The use of this standard is governed by the "Texas Engineering Practice Act". No warranty of any kind is made by TxDOT for any purpose whatsoever. TxDOT assumes no responsibility for the conversion of this standard to other formats or for incorrect results or damages resulting from its use.

DATE: FILE:

GENERAL NOTES

- For long term stationary work zones on freeways, drums shall be used as the primary channelizing device.
- For intermediate term stationary work zones on freeways, drums should be used as the primary channelizing device but may be replaced in tangent sections by vertical panels, or 42" two-piece cones. In tangent sections, one-piece cones may be used with the approval of the Engineer but only if personnel are present on the project at all times to maintain the cones in proper position and location.
- For short term stationary work zones on freeways, drums are the preferred channelizing device but may be replaced in tapers, transitions and tangent sections by vertical panels, two-piece cones or one-piece cones as approved by the Engineer.
- Drums and all related items shall comply with the requirements of the current version of the "Texas Manual on Uniform Traffic Control Devices" (TMUTCD) and the "Compliant Work Zone Traffic Control Devices List" (CWZTCD).
- Drums, bases, and related materials shall exhibit good workmanship and shall be free from objectionable marks or defects that would adversely affect their appearance or serviceability.
- The Contractor shall have a maximum of 24 hours to replace any plastic drums identified for replacement by the Engineer/Inspector. The replacement device must be an approved device.

GENERAL DESIGN REQUIREMENTS

Pre-qualified plastic drums shall meet the following requirements:

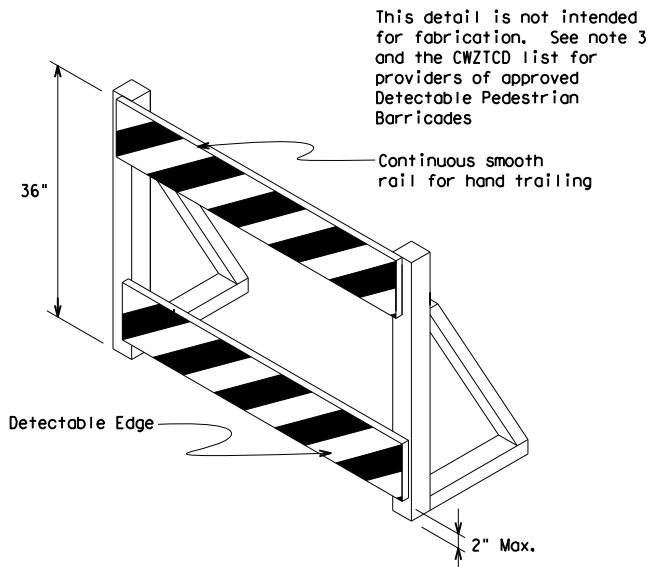
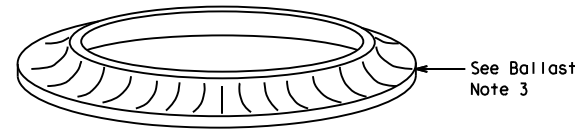
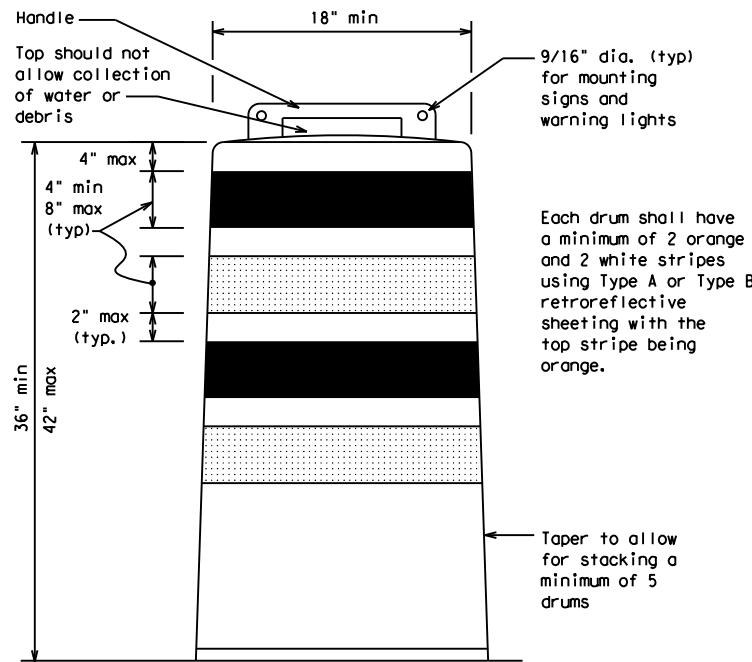
- Plastic drums shall be a two-piece design; the "body" of the drum shall be the top portion and the "base" shall be the bottom.
- The body and base shall lock together in such a manner that the body separates from the base when impacted by a vehicle traveling at a speed of 20 MPH or greater but prevents accidental separation due to normal handling and/or air turbulence created by passing vehicles.
- Plastic drums shall be constructed of lightweight flexible, and deformable materials. The Contractor shall NOT use metal drums or single piece plastic drums as channelization devices or sign supports.
- Drums shall present a profile that is a minimum of 18 inches in width at the 36 inch height when viewed from any direction. The height of drum unit (body installed on base) shall be a minimum of 36 inches and a maximum of 42 inches.
- The top of the drum shall have a built-in handle for easy pickup and shall be designed to drain water and not collect debris. The handle shall have a minimum of two widely spaced 9/16 inch diameter holes to allow attachment of a warning light, warning reflector unit or approved compliant sign.
- The exterior of the drum body shall have a minimum of four alternating orange and white retroreflective circumferential stripes not less than 4 inches nor greater than 8 inches in width. Any non-reflectORIZED space between any two adjacent stripes shall not exceed 2 inches in width.
- Bases shall have a maximum width of 36 inches, a maximum height of 4 inches, and a minimum of two footholds of sufficient size to allow base to be held down while separating the drum body from the base.
- Plastic drums shall be constructed of ultra-violet stabilized, orange, high-density polyethylene (HDPE) or other approved material.
- Drum body shall have a maximum unballasted weight of 11 lbs.
- Drum and base shall be marked with manufacturer's name and model number.

RETROREFLECTIVE SHEETING

- The stripes used on drums shall be constructed of sheeting meeting the color and retroreflectivity requirements of Departmental Materials Specification DMS-8300, "Sign Face Materials." Type A or Type B reflective sheeting shall be supplied unless otherwise specified in the plans.
- The sheeting shall be suitable for use on and shall adhere to the drum surface such that, upon vehicular impact, the sheeting shall remain adhered in-place and exhibit no delaminating, cracking, or loss of retroreflectivity other than that loss due to abrasion of the sheeting surface.

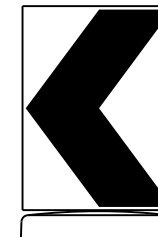
BALLAST

- Unballasted bases shall be large enough to hold up to 50 lbs. of sand. This base, when filled with the ballast material, should weigh between 35 lbs (minimum) and 50 lbs (maximum). The ballast may be sand in one to three sandbags separate from the base, sand in a sand-filled plastic base, or other ballasting devices as approved by the Engineer. Stacking of sandbags will be allowed, however height of sandbags above pavement surface may not exceed 12 inches.
- Bases with built-in ballast shall weigh between 40 lbs. and 50 lbs. Built-in ballast can be constructed of an integral crumb rubber base or a solid rubber base.
- Recycled truck tire sidewalls may be used for ballast on drums approved for this type of ballast on the CWZTCD list.
- The ballast shall not be heavy objects, water, or any material that would become hazardous to motorists, pedestrians, or workers when the drum is struck by a vehicle.
- When used in regions susceptible to freezing, drums shall have drainage holes in the bottoms so that water will not collect and freeze becoming a hazard when struck by a vehicle.
- Ballast shall not be placed on top of drums.
- Adhesives may be used to secure base of drums to pavement.

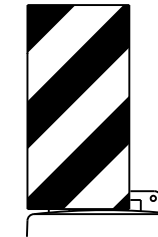


DETECTABLE PEDESTRIAN BARRICADES

- When existing pedestrian facilities are disrupted, closed, or relocated in a TTC zone, the temporary facilities shall be detectable and include accessibility features consistent with the features present in the existing pedestrian facility. Refer to WZ(BTS-2) for Pedestrian Control requirements for Sidewalk Diversions, Sidewalk Detours and Crosswalk Closures.
- Where pedestrians with visual disabilities normally use the closed sidewalk, a Detectable Pedestrian Barricade shall be placed across the full width of the closed sidewalk instead of a Type 3 Barricade.
- Detectable pedestrian barricades similar to the one pictured above, longitudinal channelizing devices, some concrete barriers, and wood or chain link fencing with a continuous detectable edging can satisfactorily delineate a pedestrian path.
- Tape, rope, or plastic chain strung between devices are not detectable, do not comply with the design standards in the "Americans with Disabilities Act Accessibility Guidelines (ADAAG)" and should not be used as a control for pedestrian movements.
- Warning lights shall not be attached to detectable pedestrian barricades.
- Detectable pedestrian barricades should use 8" nominal barricade rails as shown on BC(10) provided that the top rail provides a smooth continuous rail suitable for hand trailing with no splinters, burrs, or sharp edges.



18" x 24" Sign
(Maximum Sign Dimension)
Chevron CW1-8, Opposing Traffic Lane
Divider, Driveway sign D70a, Keep Right
R4 series or other signs as approved
by Engineer



12" x 24"
Vertical Panel
mount with diagonals
sloping down towards
travel way

Plywood, Aluminum or Metal sign
substrates shall NOT be used on
plastic drums

SIGNS, CHEVRONS, AND VERTICAL PANELS MOUNTED ON PLASTIC DRUMS

- Signs used on plastic drums shall be manufactured using substrates listed on the CWZTCD.
- Chevrons and other work zone signs with an orange background shall be manufactured with Type B_{FL} or Type C_{FL} Orange sheeting meeting the color and retroreflectivity requirements of DMS-8300, "Sign Face Material," unless otherwise specified in the plans.
- Vertical Panels shall be manufactured with orange and white sheeting meeting the requirements of DMS-8300 Type A or Type B. Diagonal stripes on Vertical Panels shall slope down toward the intended traveled lane.
- Other sign messages (text or symbolic) may be used as approved by the Engineer. Sign dimensions shall not exceed 18 inches in width or 24 inches in height, except for the R9 series signs discussed in note 8 below.
- Signs shall be installed using a 1/2 inch bolt (nominal) and nut, two washers, and one locking washer for each connection.
- Mounting bolts and nuts shall be fully engaged and adequately torqued. Bolts should not extend more than 1/2 inch beyond nuts.
- Chevrons may be placed on drums on the outside of curves, on merging tapers or on shifting tapers. When used in these locations, they may be placed on every drum or spaced not more than on every third drum. A minimum of three (3) should be used at each location called for in the plans.
- R9-9, R9-10, R9-11 and R9-11a Sidewalk Closed signs which are 24 inches wide may be mounted on plastic drums, with approval of the Engineer.

SHEET 8 OF 12



BARRICADE AND CONSTRUCTION CHANNELIZING DEVICES

BC (8) - 21

FILE:	bc-21.dgn	DW:	TxDOT	CK:	TxDOT	DW:	TxDOT	CK:	TxDOT
© TxDOT	November 2002	CONT	SECT	JOB	HIGHWAY				
REVISIONS		6452	01	001	IH 37				
4-03	8-14	DIST	COUNTY	SHEET NO.					
9-07	5-21	SAT	ATASCOSA	15					
7-13									

DISCLAIMER: The use of this standard is governed by the "Texas Engineering Practice Act". No warranty of any kind is made by TxDOT for any purpose whatsoever. TxDOT assumes no responsibility for the conversion of this standard to other formats or for incorrect results or damages resulting from its use.



FIXED
(Rigid or self-righting)

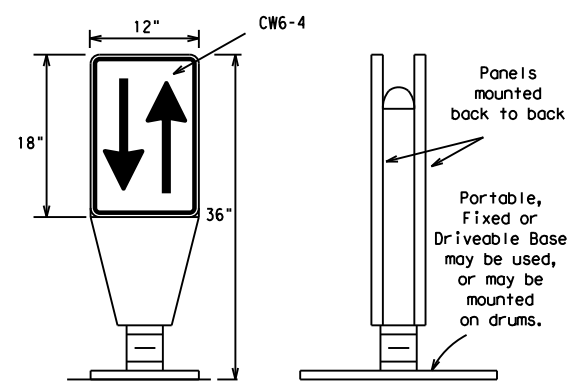
DRIVEABLE



PORTABLE

VERTICAL PANELS (VPs)

- Vertical Panels (VP's) are normally used to channelize traffic or divide opposing lanes of traffic.
- VP's may be used in daytime or nighttime situations. They may be used at the edge of shoulder drop-offs and other areas such as lane transitions where positive daytime and nighttime delineation is required. The Engineer/Inspector shall refer to the Roadway Design Manual for additional requirements on the use VP's for drop-offs.
- VP's should be mounted back to back if used at the edge of cuts adjacent to two-way two lane roadways. Stripes are to be reflective orange and reflective white and should always slope downward toward the travel lane.
- VP's used on expressways and freeways or other high speed roadways, may have more than 270 square inches of retroreflective area facing traffic.
- Self-righting supports are available with portable base. See "Compliant Work Zone Traffic Control Devices List" (CWZTCD).
- Sheeting for the VP's shall be retroreflective Type A or Type B conforming to Departmental Material Specification DMS-8300, unless noted otherwise.
- Where the height of reflective material on the vertical panel is 36 inches or greater, a panel stripe of 6 inches shall be used.



OPPOSING TRAFFIC LANE DIVIDERS (OTLD)

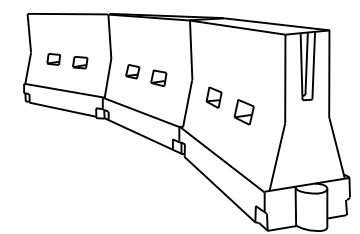
- Opposing Traffic Lane Dividers (OTLD) are delineation devices designed to convert a normal one-way roadway section to two-way operation. OTLD's are used on temporary centerlines. The upward and downward arrows on the sign's face indicate the direction of traffic on either side of the divider. The base is secured to the pavement with an adhesive or rubber weight to minimize movement caused by a vehicle impact or wind gust.
- The OTLD may be used in combination with 42" cones or VPs.
- Spacing between the OTLD shall not exceed 500 feet. 42" cones or VPs placed between the OTLD's should not exceed 100 foot spacing.
- The OTLD shall be orange with a black non-reflective legend. Sheeting for the OTLD shall be retroreflective Type B_{FL} or Type C_{FL} conforming to Departmental Material Specification DMS-8300, unless noted otherwise. The legend shall meet the requirements of DMS-8300.



Fixed Base w/ Approved Adhesive (Driveable Base, or Flexible Support can be used)

- The chevron shall be a vertical rectangle with a minimum size of 12 by 18 inches.
- Chevrons are intended to give notice of a sharp change of alignment with the direction of travel and provide additional emphasis and guidance for vehicle operators with regard to changes in horizontal alignment of the roadway.
- Chevrons, when used, shall be erected on the outside of a sharp curve or turn, or on the far side of an intersection. They shall be in line with and at right angles to approaching traffic. Spacing should be such that the motorist always has three in view, until the change in alignment eliminates its need.
- To be effective, the chevron should be visible for at least 500 feet.
- Chevrons shall be orange with a black nonreflective legend. Sheeting for the chevron shall be retroreflective Type B_{FL} or Type C_{FL} conforming to Departmental Material Specification DMS-8300, unless noted otherwise. The legend shall meet the requirements of DMS-8300.
- For Long Term Stationary use on tapers or transitions on freeways and divided highways, self-righting chevrons may be used to supplement plastic drums but not to replace plastic drums.

CHEVRONS



LONGITUDINAL CHANNELIZING DEVICES (LCD)

- LCDs are crashworthy, lightweight, deformable devices that are highly visible, have good target value and can be connected together. They are not designed to contain or redirect a vehicle on impact.
- LCDs may be used instead of a line of cones or drums.
- LCDs shall be placed in accordance to application and installation requirements specific to the device, and used only when shown on the CWZTCD list.
- LCDs should not be used to provide positive protection for obstacles, pedestrians or workers.
- LCDs shall be supplemented with retroreflective delineation as required for temporary barriers on BC(7) when placed roughly parallel to the travel lanes.
- LCDs used as barricades placed perpendicular to traffic should have at least one row of reflective sheeting meeting the requirements for barricade rails as shown on BC(10). Place reflective sheeting near the top of the LCD along the full length of the device.

WATER BALLASTED SYSTEMS USED AS BARRIERS

- Water ballasted systems used as barriers shall not be used solely to channelize road users, but also to protect the work space per the appropriate Manual for Assessing Safety Hardware (MASH) crashworthiness requirements based on roadway speed and barrier application.
- Water ballasted systems used to channelize vehicular traffic shall be supplemented with retroreflective delineation or channelizing devices to improve daytime/nighttime visibility. They may also be supplemented with pavement markings.
- Water ballasted systems used as barriers shall be placed in accordance to application and installation requirements specific to the device, and used only when shown on the CWZTCD list.
- Water ballasted systems used as barriers should not be used for a merging taper except in low speed (less than 45 MPH) urban areas. When used on a taper in a low speed urban area, the taper shall be delineated and the taper length should be designed to optimize road user operations considering the available geometric conditions.
- When water ballasted systems used as barriers have blunt ends exposed to traffic, they should be attenuated as per manufacturer recommendations or flared to a point outside the clear zone.

If used to channelize pedestrians, longitudinal channelizing devices or water ballasted systems must have a continuous detectable bottom for users of long canes and the top of the unit shall not be less than 32 inches in height.

HOLLOW OR WATER BALLASTED SYSTEMS USED AS LONGITUDINAL CHANNELIZING DEVICES OR BARRIERS

GENERAL NOTES

- Work Zone channelizing devices illustrated on this sheet may be installed in close proximity to traffic and are suitable for use on high or low speed roadways. The Engineer/Inspector shall ensure that spacing and placement is uniform and in accordance with the "Texas Manual on Uniform Traffic Control Devices" (TMUTCD).
- Channelizing devices shown on this sheet may have a driveable, fixed or portable base. The requirement for self-righting channelizing devices must be specified in the General Notes or other plan sheets.
- Channelizing devices on self-righting supports should be used in work zone areas where channelizing devices are frequently impacted by errant vehicles or vehicle related wind gusts making alignment of the channelizing devices difficult to maintain. Locations of these devices shall be detailed elsewhere in the plans. These devices shall conform to the TMUTCD and the "Compliant Work Zone Traffic Control Devices List" (CWZTCD).
- The Contractor shall maintain devices in a clean condition and replace damaged, nonreflective, faded, or broken devices and bases as required by the Engineer/Inspector. The Contractor shall be required to maintain proper device spacing and alignment.
- Portable bases shall be fabricated from virgin and/or recycled rubber. The portable bases shall weigh a minimum of 30 lbs.
- Pavement surfaces shall be prepared in a manner that ensures proper bonding between the adhesives, the fixed mount bases and the pavement surface. Adhesives shall be prepared and applied according to the manufacturer's recommendations.
- The installation and removal of channelizing devices shall not cause detrimental effects to the final pavement surfaces, including pavement surface discoloration or surface integrity. Driveable bases shall not be permitted on final pavement surfaces. The Engineer/Inspector shall approve all application and removal procedures of fixed bases.

Posted Speed	Formula	Minimum Desirable Taper Lengths * *			Suggested Maximum Spacing of Channelizing Devices	
		10' Offset	11' Offset	12' Offset	On a Taper	On a Tangent
30	L = WS ² / 60	150'	165'	180'	30'	60'
35		205'	225'	245'	35'	70'
40		265'	295'	320'	40'	80'
45	L = WS	450'	495'	540'	45'	90'
50		500'	550'	600'	50'	100'
55		550'	605'	660'	55'	110'
60		600'	660'	720'	60'	120'
65		650'	715'	780'	65'	130'
70		700'	770'	840'	70'	140'
75		750'	825'	900'	75'	150'
80		800'	880'	960'	80'	160'

* * * Taper lengths have been rounded off.
L=Length of Taper (FT.) W=Width of Offset (FT.)
S=Posted Speed (MPH)

SUGGESTED MAXIMUM SPACING OF CHANNELIZING DEVICES AND MINIMUM DESIRABLE TAPER LENGTHS

SHEET 9 OF 12



BARRICADE AND CONSTRUCTION CHANNELIZING DEVICES

BC (9) - 21

FILE: bc-21.dgn	DN: TxDOT	CK: TxDOT	DW: TxDOT	CR: TxDOT
© TxDOT November 2002	CONT	SECT	JOB	HIGHWAY
REVISIONS	6452	01	001	IH 37
9-07 8-14	DIST	COUNTY	SHEET NO.	
7-13 5-21	SAT	ATASCOSA	16	

DATE: FILE:

DISCLAIMER: The use of this standard is governed by the "Texas Engineering Practice Act". No warranty of any kind is made by TxDOT for any purpose whatsoever. TxDOT assumes no responsibility for the conversion of this standard to other formats or for incorrect results or damages resulting from its use.

TYPE 3 BARRICADES

1. Refer to the Compliant Work Zone Traffic Control Devices List (CWZTCD) for details of the Type 3 Barricades and a list of all materials used in the construction of Type 3 Barricades.
2. Type 3 Barricades shall be used at each end of construction projects closed to all traffic.
3. Barricades extending across a roadway should have stripes that slope downward in the direction toward which traffic must turn in detouring. When both right and left turns are provided, the chevron striping may slope downward in both directions from the center of the barricade. Where no turns are provided at a closed road, striping should slope downward in both directions toward the center of roadway.
4. Striping of rails, for the right side of the roadway, should slope downward to the left. For the left side of the roadway, striping should slope downward to the right.
5. Identification markings may be shown only on the back of the barricade rails. The maximum height of letters and/or company logos used for identification shall be 1".
6. Barricades shall not be placed parallel to traffic unless an adequate clear zone is provided.
7. Warning lights shall NOT be installed on barricades.
8. Where barricades require the use of weights to keep from turning over, the use of sandbags with dry, cohesionless sand is recommended. The sandbags will be tied shut to keep the sand from spilling and to maintain a constant weight. Sand bags shall not be stacked in a manner that covers any portion of a barricade rails reflective sheeting. Rock, concrete, iron, steel or other solid objects will NOT be permitted. Sandbags should weigh a minimum of 35 lbs and a maximum of 50 lbs. Sandbags shall be made of a durable material that tears upon vehicular impact. Rubber (such as tire inner tubes) shall not be used for sandbags. Sandbags shall only be placed along or upon the base supports of the device and shall not be suspended above ground level or hung with rope, wire, chains or other fasteners.
9. Sheeting for barricades shall be retroreflective Type A or Type B conforming to Departmental Material Specification DMS-8300 unless otherwise noted.

Barricades shall NOT be used as a sign support.

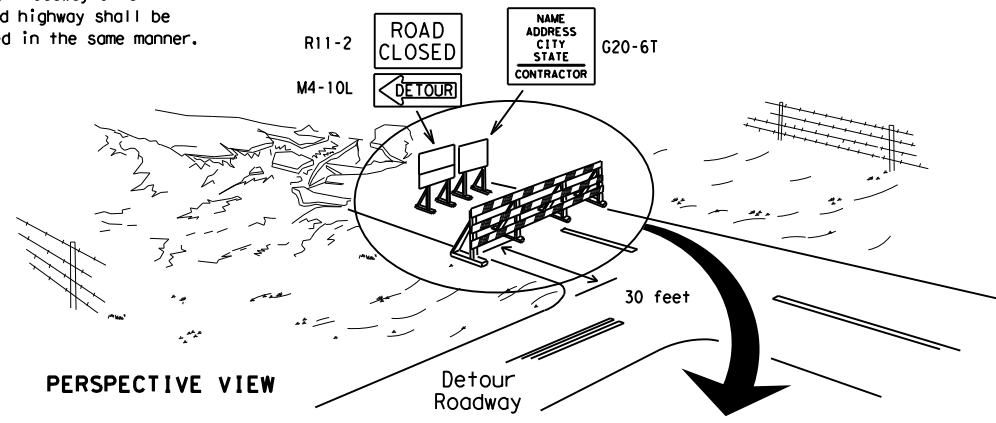


TYPICAL STRIPING DETAIL FOR BARRICADE RAIL



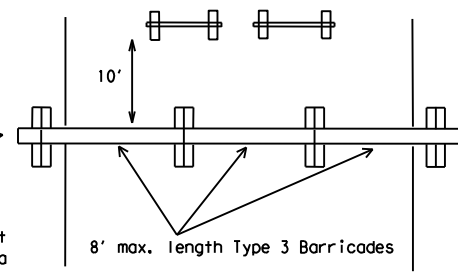
TYPICAL PANEL DETAIL FOR SKID OR POST TYPE BARRICADES

Each roadway of a divided highway shall be barricaded in the same manner.



PERSPECTIVE VIEW

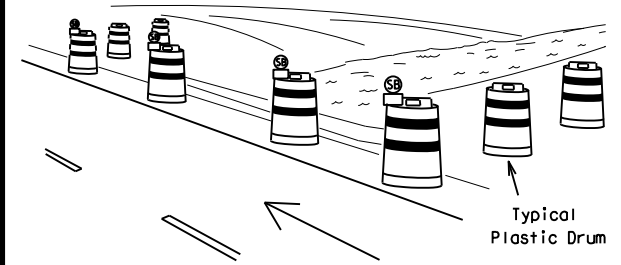
The three rails on Type 3 barricades shall be reflectorized orange and reflective white stripes on one side facing one-way traffic and both sides for two-way traffic. Barricade striping should slant downward in the direction of detour.



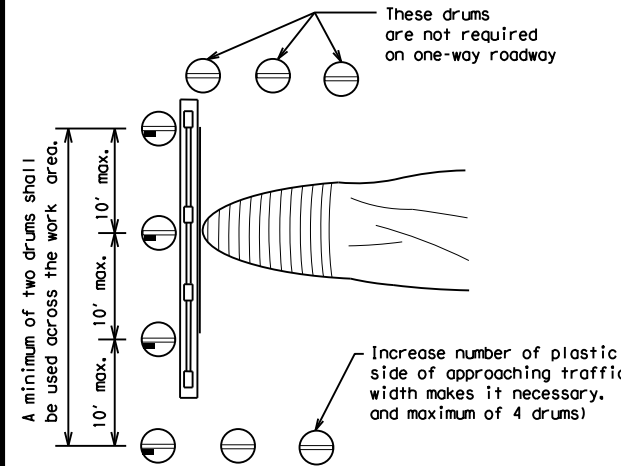
PLAN VIEW

1. Signs should be mounted on independent supports at a 7 foot mounting height in center of roadway. The signs should be a minimum of 10 feet behind Type 3 Barricades.
2. Advance signing shall be as specified elsewhere in the plans.

TYPE 3 BARRICADE (POST AND SKID) TYPICAL APPLICATION



PERSPECTIVE VIEW

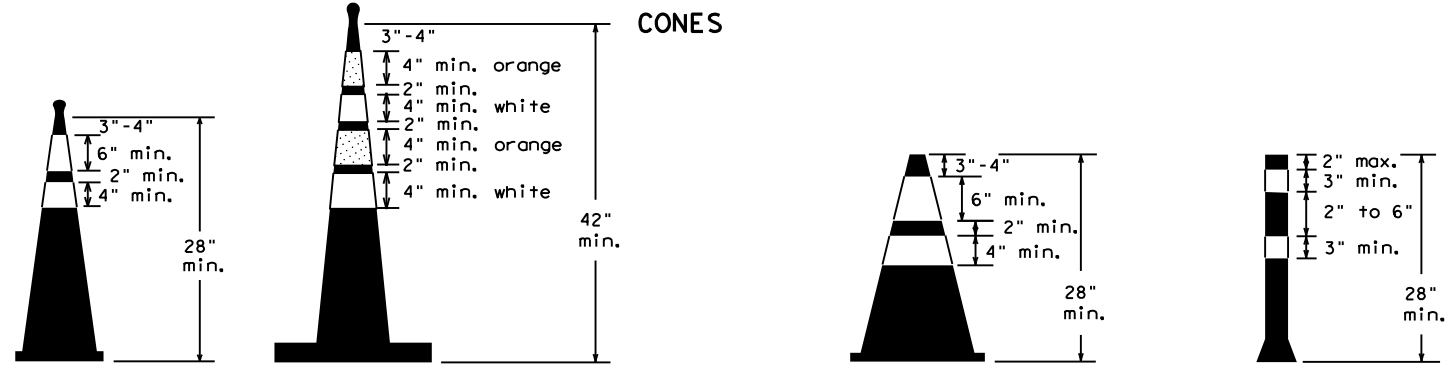


PLAN VIEW

1. Where positive redirection capability is provided, drums may be omitted.
2. Plastic construction fencing may be used with drums for safety as required in the plans.
3. Vertical Panels on flexible support may be substituted for drums when the shoulder width is less than 4 feet.
4. When the shoulder width is greater than 12 feet, steady-burn lights may be omitted if drums are used.
5. Drums must extend the length of the culvert widening.

LEGEND	
	Plastic drum
	Plastic drum with steady burn light or yellow warning reflector
	Steady burn warning light or yellow warning reflector

CULVERT WIDENING OR OTHER ISOLATED WORK WITHIN THE PROJECT LIMITS



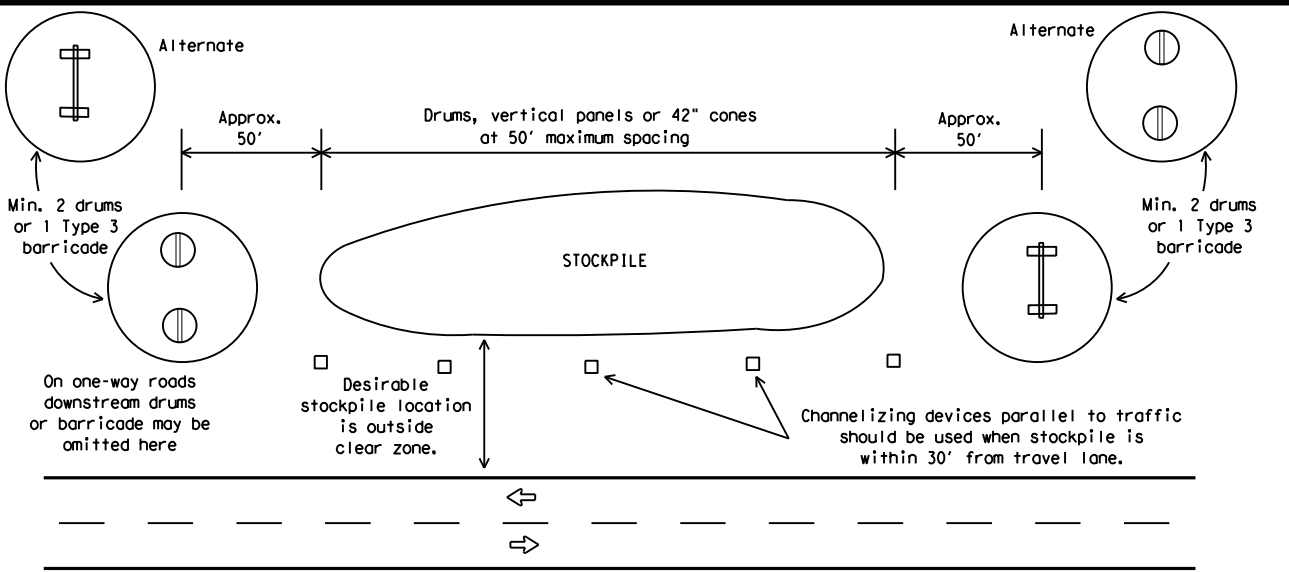
Two-Piece cones

One-Piece cones

Tubular Marker

28" Cones shall have a minimum weight of 9 1/2 lbs.
42" 2-piece cones shall have a minimum weight of 30 lbs. including base.

1. Traffic cones and tubular markers shall be predominantly orange, and meet the height and weight requirements shown above.
2. One-piece cones have the body and base of the cone molded in one consolidated unit. Two-piece cones have a cone shaped body and a separate rubber base, or ballast, that is added to keep the device upright and in place.
3. Two-piece cones may have a handle or loop extending up to 8" above the minimum height shown, in order to aid in retrieving the device.
4. Cones or tubular markers shall have white or white and orange reflective bands as shown above. The reflective bands shall have a smooth, sealed outer surface and meet the requirements of Departmental Material Specification DMS-8300 Type A or Type B.
5. 28" cones and tubular markers are generally suitable for short duration and short-term stationary work as defined on BC(4). These should not be used for intermediate-term or long-term stationary work unless personnel is on-site to maintain them in their proper upright position.
6. 42" two-piece cones, vertical panels or drums are suitable for all work zone durations.
7. Cones or tubular markers used on each project should be of the same size and shape.



TRAFFIC CONTROL FOR MATERIAL STOCKPILES

BARRICADE AND CONSTRUCTION CHANNELIZING DEVICES

BC (10) -21

FILE: bc-21.dgn	DN: TxDOT	CR: TxDOT	OW: TxDOT	CK: TxDOT
©TxDOT November 2002	CONT	SECT	JOB	HIGHWAY
REVISIONS	6452	01	001	IH 37
9-07 8-14	DIST	COUNTY	SHEET NO.	
7-13 5-21	SAT	ATASCOSA	17	

DATE: FILE:

WORK ZONE PAVEMENT MARKINGS

GENERAL

- The Contractor shall be responsible for maintaining work zone and existing pavement markings, in accordance with the standard specifications and special provisions, on all roadways open to traffic within the CSJ limits unless otherwise stated in the plans.
- Color, patterns and dimensions shall be in conformance with the "Texas Manual on Uniform Traffic Control Devices" (TMUTCD).
- Additional supplemental pavement marking details may be found in the plans or specifications.
- Pavement markings shall be installed in accordance with the TMUTCD and as shown on the plans.
- When short term markings are required on the plans, short term markings shall conform with the TMUTCD, the plans and details as shown on the Standard Plan Sheet WZ(STPM).
- When standard pavement markings are not in place and the roadway is opened to traffic, DO NOT PASS signs shall be erected to mark the beginning of the sections where passing is prohibited and PASS WITH CARE signs at the beginning of sections where passing is permitted.
- All work zone pavement markings shall be installed in accordance with Item 662, "Work Zone Pavement Markings."

RAISED PAVEMENT MARKERS

- Raised pavement markers are to be placed according to the patterns on BC(12).
- All raised pavement markers used for work zone markings shall meet the requirements of Item 672, "RAISED PAVEMENT MARKERS" and Departmental Material Specification DMS-4200 or DMS-4300.

PREFABRICATED PAVEMENT MARKINGS

- Removable prefabricated pavement markings shall meet the requirements of DMS-8241.
- Non-removable prefabricated pavement markings (foil back) shall meet the requirements of DMS-8240.

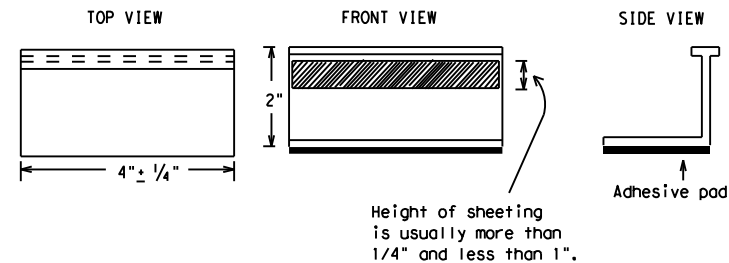
MAINTAINING WORK ZONE PAVEMENT MARKINGS

- The Contractor will be responsible for maintaining work zone pavement markings within the work limits.
- Work zone pavement markings shall be inspected in accordance with the frequency and reporting requirements of work zone traffic control device inspections as required by Form 599.
- The markings should provide a visible reference for a minimum distance of 300 feet during normal daylight hours and 160 feet when illuminated by automobile low-beam headlights at night, unless sight distance is restricted by roadway geometrics.
- Markings failing to meet this criteria within the first 30 days after placement shall be replaced at the expense of the Contractor as per Specification Item 662.

REMOVAL OF PAVEMENT MARKINGS

- Pavement markings that are no longer applicable, could create confusion or direct a motorist toward or into the closed portion of the roadway shall be removed or obliterated before the roadway is opened to traffic.
- The above shall not apply to detours in place for less than three days, where flaggers and/or sufficient channelizing devices are used in lieu of markings to outline the detour route.
- Pavement markings shall be removed to the fullest extent possible, so as not to leave a discernable marking. This shall be by any method approved by TxDOT Specification Item 677 for "Eliminating Existing Pavement Markings and Markers".
- The removal of pavement markings may require resurfacing or seal coating portions of the roadway as described in Item 677.
- Subject to the approval of the Engineer, any method that proves to be successful on a particular type pavement may be used.
- Blast cleaning may be used but will not be required unless specifically shown in the plans.
- Over-painting of the markings SHALL NOT BE permitted.
- Removal of raised pavement markers shall be as directed by the Engineer.
- Removal of existing pavement markings and markers will be paid for directly in accordance with Item 677, "ELIMINATING EXISTING PAVEMENT MARKINGS AND MARKERS," unless otherwise stated in the plans.
- Black-out marking tape may be used to cover conflicting existing markings for periods less than two weeks when approved by the Engineer.

Temporary Flexible-Reflective Roadway Marker Tabs



**STAPLES OR NAILS SHALL NOT BE USED TO SECURE
TEMPORARY FLEXIBLE-REFLECTIVE ROADWAY MARKER
TABS TO THE PAVEMENT SURFACE**

- Temporary flexible-reflective roadway marker tabs used as guidemarks shall meet the requirements of DMS-8242.
- Tabs detailed on this sheet are to be inspected and accepted by the Engineer or designated representative. Sampling and testing is not normally required, however at the option of the Engineer, either "A" or "B" below may be imposed to assure quality before placement on the roadway.
 - Select five (5) or more tabs at random from each lot or shipment and submit to the Construction Division, Materials and Pavement Section to determine specification compliance.
 - Select five (5) tabs and perform the following test. Affix five (5) tabs at 24 inch intervals on an asphaltic pavement in a straight line. Using a medium size passenger vehicle or pickup, run over the markers with the front and rear tires at a speed of 35 to 40 miles per hour, four (4) times in each direction. No more than one (1) out of the five (5) reflective surfaces shall be lost or displaced as a result of this test.
- Small design variances may be noted between tab manufacturers.
- See Standard Sheet WZ(STPM) for tab placement on new pavements. See Standard Sheet TCP(7-1) for tab placement on seal coat work.

RAISED PAVEMENT MARKERS USED AS GUIDEMARKS

- Raised pavement markers used as guidemarks shall be from the approved product list, and meet the requirements of DMS-4200.
- All temporary construction raised pavement markers provided on a project shall be of the same manufacturer.
- Adhesive for guidemarks shall be bituminous material hot applied or butyl rubber pad for all surfaces, or thermoplastic for concrete surfaces.

Guidemarks shall be designated as:
 YELLOW - (two amber reflective surfaces with yellow body).
 WHITE - (one silver reflective surface with white body).

DEPARTMENTAL MATERIAL SPECIFICATIONS	
PAVEMENT MARKERS (REFLECTORIZED)	DMS-4200
TRAFFIC BUTTONS	DMS-4300
EPOXY AND ADHESIVES	DMS-6100
BITUMINOUS ADHESIVE FOR PAVEMENT MARKERS	DMS-6130
PERMANENT PREFABRICATED PAVEMENT MARKINGS	DMS-8240
TEMPORARY REMOVABLE, PREFABRICATED PAVEMENT MARKINGS	DMS-8241
TEMPORARY FLEXIBLE, REFLECTIVE ROADWAY MARKER TABS	DMS-8242

A list of prequalified reflective raised pavement markers, non-reflective traffic buttons, roadway marker tabs and other pavement markings can be found at the Material Producer List web address shown on BC(1).

SHEET 11 OF 12

		Traffic Safety Division Standard	
BARRICADE AND CONSTRUCTION PAVEMENT MARKINGS			
BC(11)-21			
FILE: bc-21.dgn	DN: TxDOT	CK: TxDOT	DW: TxDOT
© TxDOT February 1998	CONT	SECT	HIGHWAY
REVISIONS	6452	01	001
2-98 9-07 5-21	DIST	COUNTY	SHEET NO.
1-02 7-13	SAT	ATASCOSA	18
11-02 8-14			

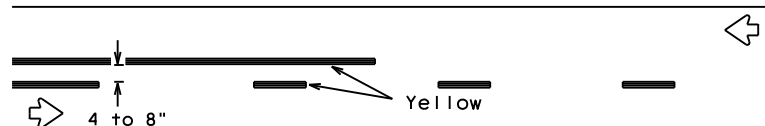
DISCLAIMER: The use of this standard is governed by the "Texas Engineering Practice Act". No warranty of any kind is made by TxDOT for any purpose whatsoever. TxDOT assumes no responsibility for the conversion of this standard to other formats or for incorrect results or damages resulting from its use.

DATE:
FILE:

PAVEMENT MARKING PATTERNS

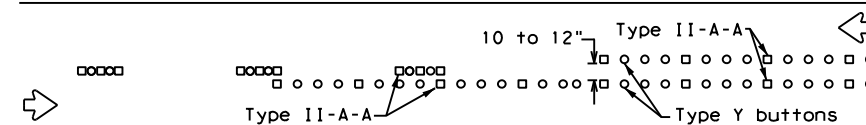


REFLECTORIZED PAVEMENT MARKINGS - PATTERN A

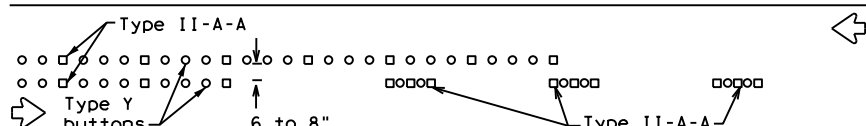


REFLECTORIZED PAVEMENT MARKINGS - PATTERN B

Pattern A is the TXDOT Standard, however Pattern B may be used if approved by the Engineer. Prefabricated markings may be substituted for reflectORIZED pavement markings.



RAISED PAVEMENT MARKERS - PATTERN A



RAISED PAVEMENT MARKERS - PATTERN B

CENTER LINE & NO-PASSING ZONE BARRIER LINES FOR TWO-LANE, TWO-WAY HIGHWAYS



REFLECTORIZED PAVEMENT MARKINGS

Prefabricated markings may be substituted for reflectORIZED pavement markings.



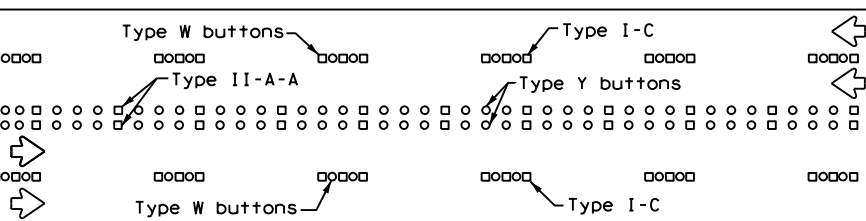
RAISED PAVEMENT MARKERS

EDGE & LANE LINES FOR DIVIDED HIGHWAY



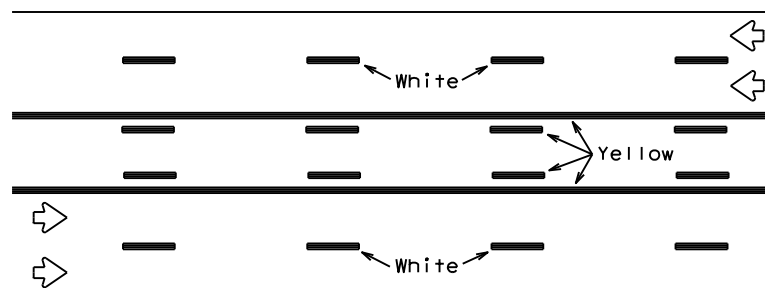
REFLECTORIZED PAVEMENT MARKINGS

Prefabricated markings may be substituted for reflectORIZED pavement markings.



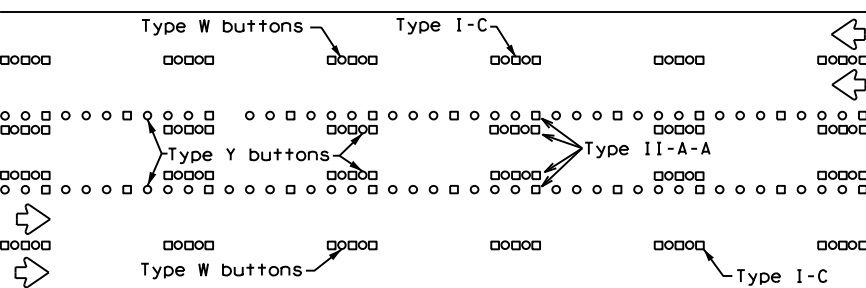
RAISED PAVEMENT MARKERS

LANE & CENTER LINES FOR MULTILANE UNDIVIDED HIGHWAYS



REFLECTORIZED PAVEMENT MARKINGS

Prefabricated markings may be substituted for reflectORIZED pavement markings.



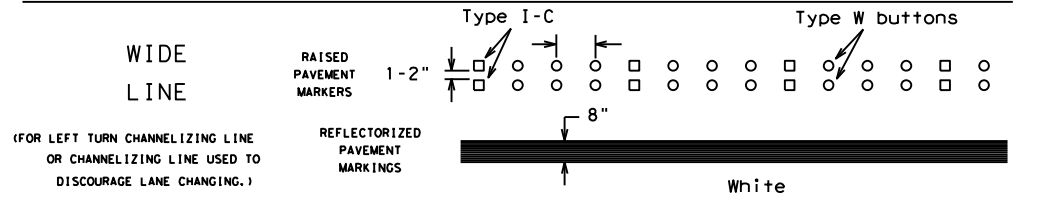
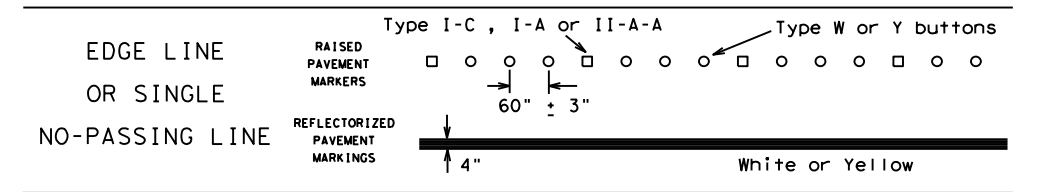
RAISED PAVEMENT MARKERS

TWO-WAY LEFT TURN LANE

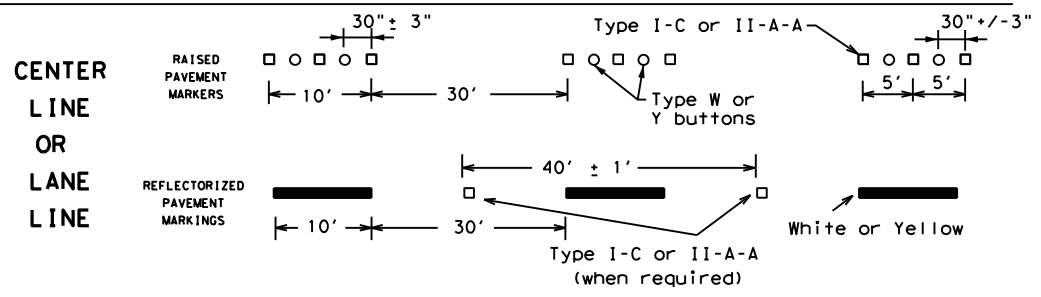
STANDARD WORK ZONE PAVEMENT MARKINGS DETAILS



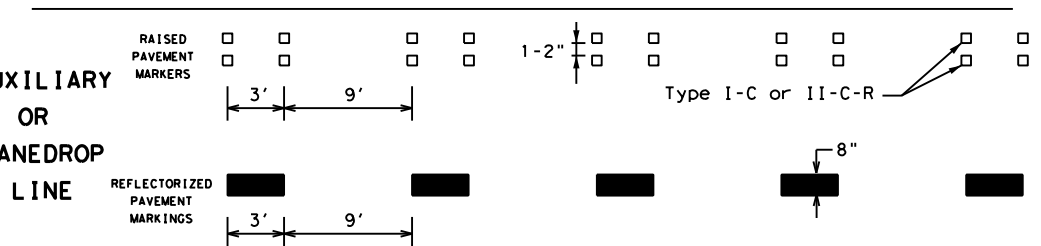
SOLID LINES



BROKEN LINES

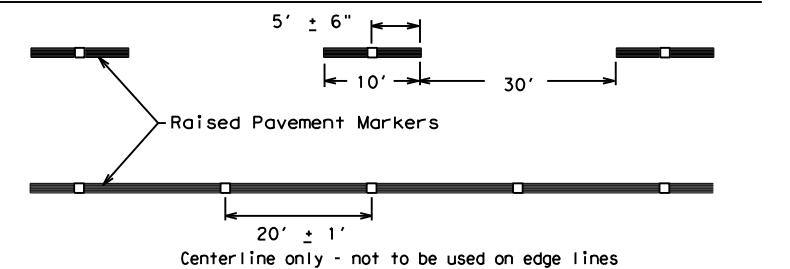


AUXILIARY OR LANEDROP LINE



REMOVABLE MARKINGS WITH RAISED PAVEMENT MARKERS

If raised pavement markers are used to supplement REMOVABLE markings, the markers shall be applied to the top of the tape at the approximate mid length of tape used for broken lines or at 20 foot spacing for solid lines. This allows an easier removal of raised pavement markers and tape.



SHEET 12 OF 12



BARRICADE AND CONSTRUCTION PAVEMENT MARKING PATTERNS

BC(12)-21

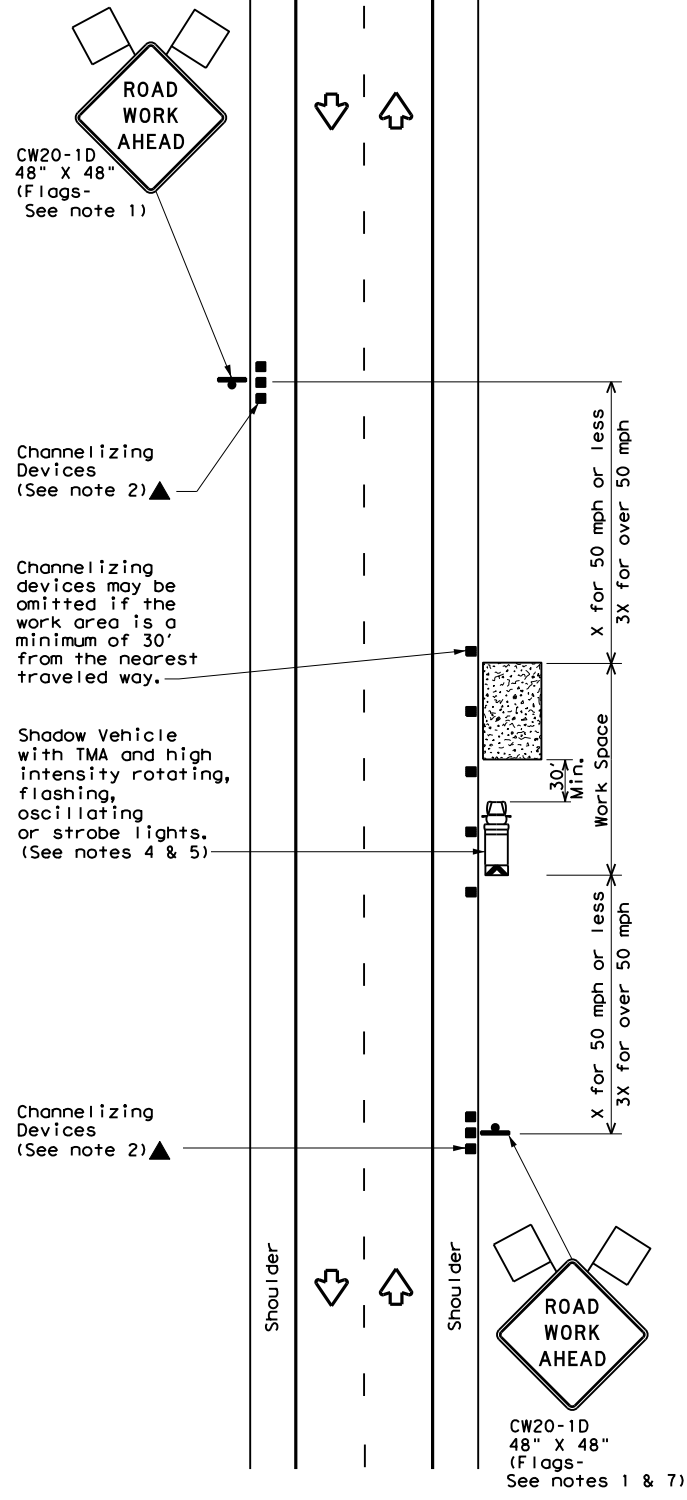
Raised pavement markers used as standard pavement markings shall be from the approved products list and meet the requirements of Item 672 "RAISED PAVEMENT MARKERS."

FILE: bc-21.dgn	DN: TxDOT	CK: TxDOT	OW: TxDOT	CK: TxDOT
©TxDOT February 1998	CONT	SECT	JOB	HIGHWAY
REVISIONS	6452	01	001	IH 37
1-97 9-07 5-21				
2-98 7-13				
11-02 8-14	SAT	COUNTY	ATASCOSA	SHEET NO. 19

DISCLAIMER: The use of this standard is governed by the "Texas Engineering Practice Act". No warranty of any kind is made by TxDOT for any purpose whatsoever. TxDOT assumes no responsibility for the conversion of this standard to other formats or for incorrect results or damages resulting from its use.

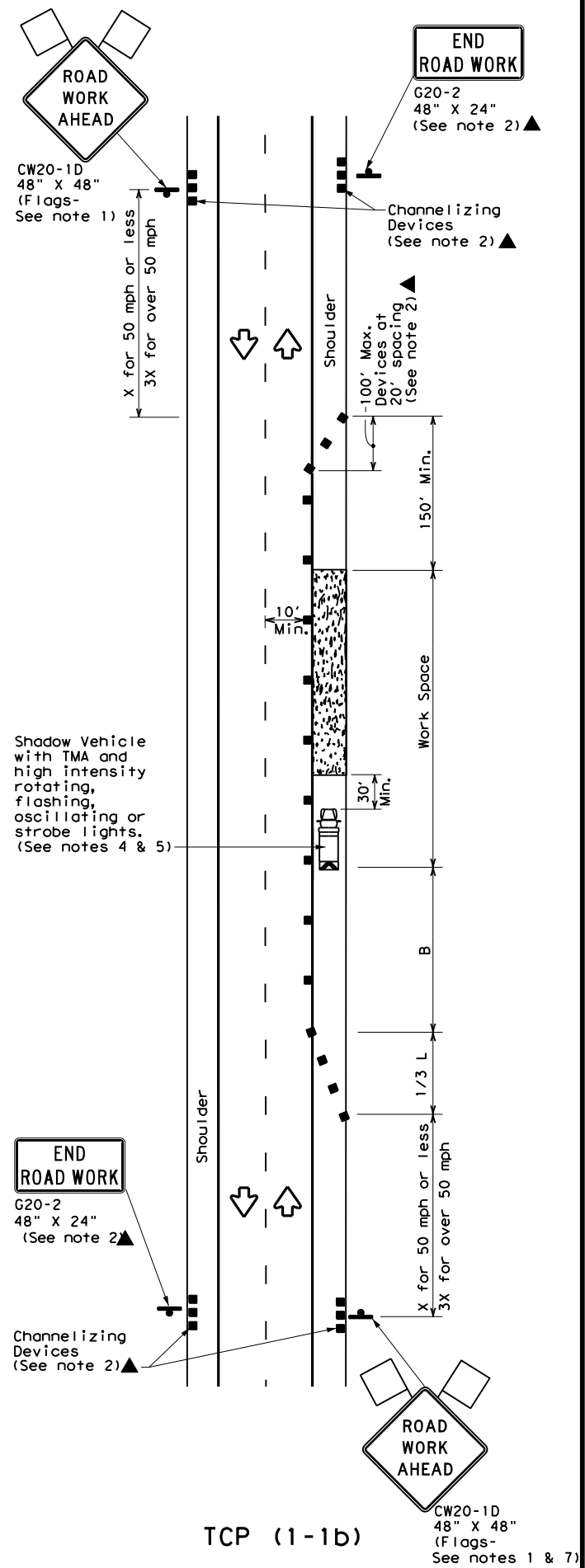
DATE:
FILE:

DISCLAIMER: The use of this standard is governed by the "Texas Engineering Practice Act". No warranty of any kind is made by TxDOT for any purpose whatsoever. TxDOT assumes no responsibility for the conversion of this standard to other formats or for incorrect results or damages resulting from its use.



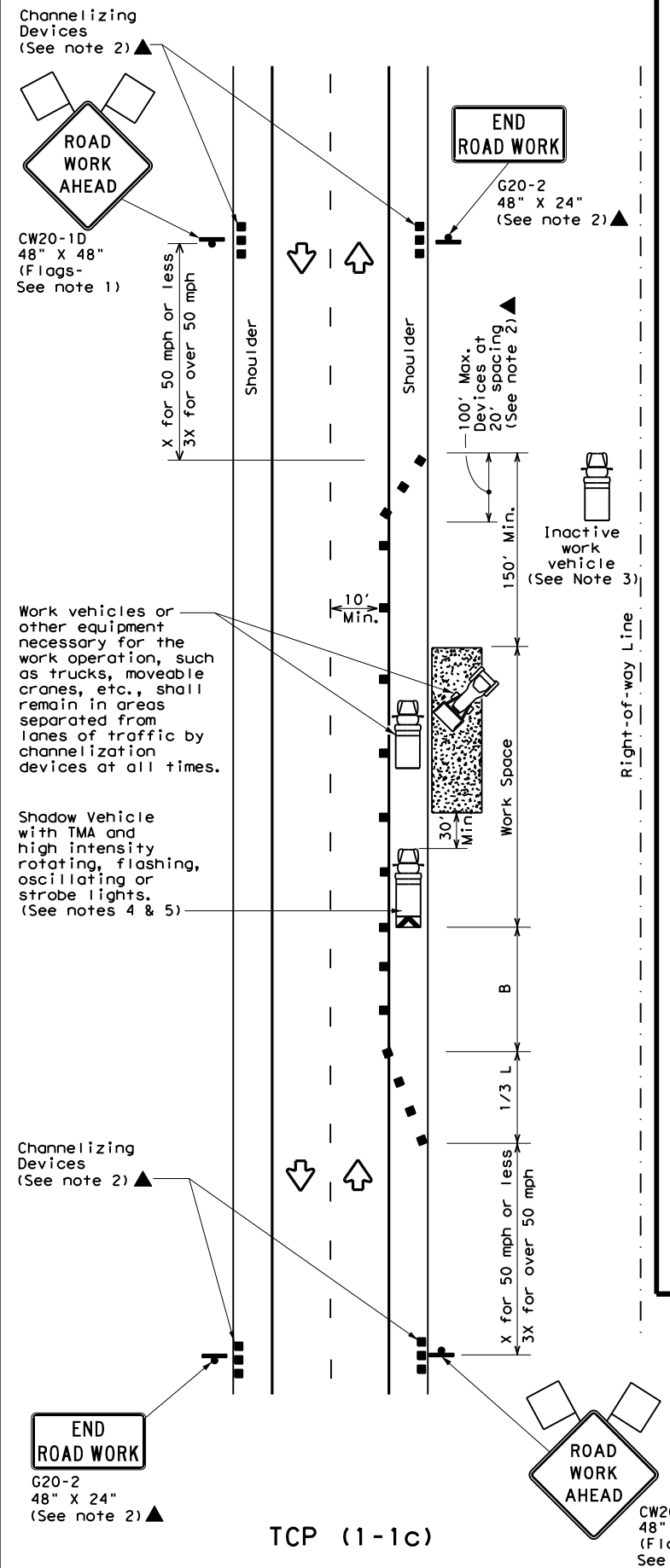
TCP (1-1a)

WORK SPACE NEAR SHOULDER
Conventional Roads



TCP (1-1b)

WORK SPACE ON SHOULDER
Conventional Roads



TCP (1-1c)

WORK VEHICLES ON SHOULDER
Conventional Roads

LEGEND			
	Type 3 Barricade		Channelizing Devices
	Heavy Work Vehicle		Truck Mounted Attenuator (TMA)
	Trailer Mounted Flashing Arrow Board		Portable Changeable Message Sign (PCMS)
	Sign		Traffic Flow
	Flag		Flagger

Posted Speed *	Formula	Minimum Desirable Taper Lengths **			Suggested Maximum Spacing of Channelizing Devices		Minimum Sign Spacing "X" Distance	Suggested Longitudinal Buffer Space "B"
		10' Offset	11' Offset	12' Offset	On a Taper	On a Tangent		
30	$L = \frac{WS^2}{60}$	150'	165'	180'	30'	60'	120'	90'
35		205'	225'	245'	35'	70'	160'	120'
40		265'	295'	320'	40'	80'	240'	155'
45	L = WS	450'	495'	540'	45'	90'	320'	195'
50		500'	550'	600'	50'	100'	400'	240'
55		550'	605'	660'	55'	110'	500'	295'
60		600'	660'	720'	60'	120'	600'	350'
65		650'	715'	780'	65'	130'	700'	410'
70		700'	770'	840'	70'	140'	800'	475'
75		750'	825'	900'	75'	150'	900'	540'

* Conventional Roads Only
** Taper lengths have been rounded off.
L=Length of Taper (FT) W=Width of Offset (FT) S=Posted Speed (MPH)

TYPICAL USAGE				
MOBILE	SHORT DURATION	SHORT TERM STATIONARY	INTERMEDIATE TERM STATIONARY	LONG TERM STATIONARY
	✓	✓		

- GENERAL NOTES**
- Flags attached to signs where shown are REQUIRED.
 - All traffic control devices illustrated are REQUIRED, except those denoted with the triangle symbol may be omitted when stated elsewhere in the plans, or for routine maintenance work, when approved by the Engineer.
 - Inactive work vehicles or other equipment should be parked near the right-of-way line and not parked on the paved shoulder.
 - A Shadow Vehicle with a TMA should be used anytime it can be positioned 30 to 100 feet in advance of the area of crew exposure without adversely affecting the performance or quality of the work. If workers are no longer present but road or work conditions require the traffic control to remain in place, Type 3 Barricades or other channelizing devices may be substituted for the Shadow Vehicle and TMA.
 - Additional Shadow Vehicles with TMAs may be positioned off the paved surface, next to those shown in order to protect wider work spaces.
 - See TCP(5-1) for shoulder work on divided highways, expressways and freeways.
 - CW21-5 "SHOULDER WORK" signs may be used in place of CW20-1D "ROAD WORK AHEAD" signs for shoulder work on conventional roadways.

TRAFFIC CONTROL PLAN
CONVENTIONAL ROAD
SHOULDER WORK

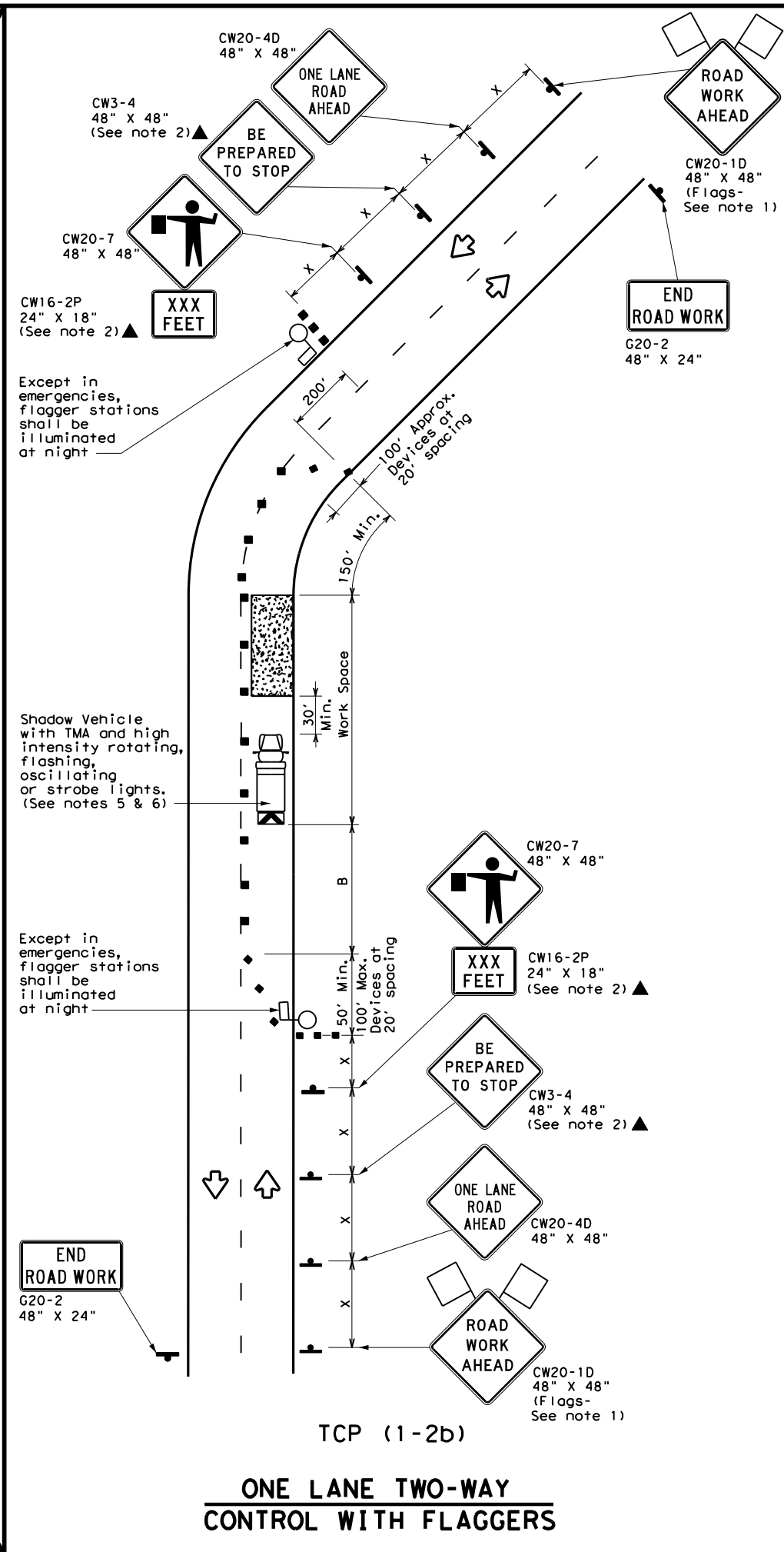
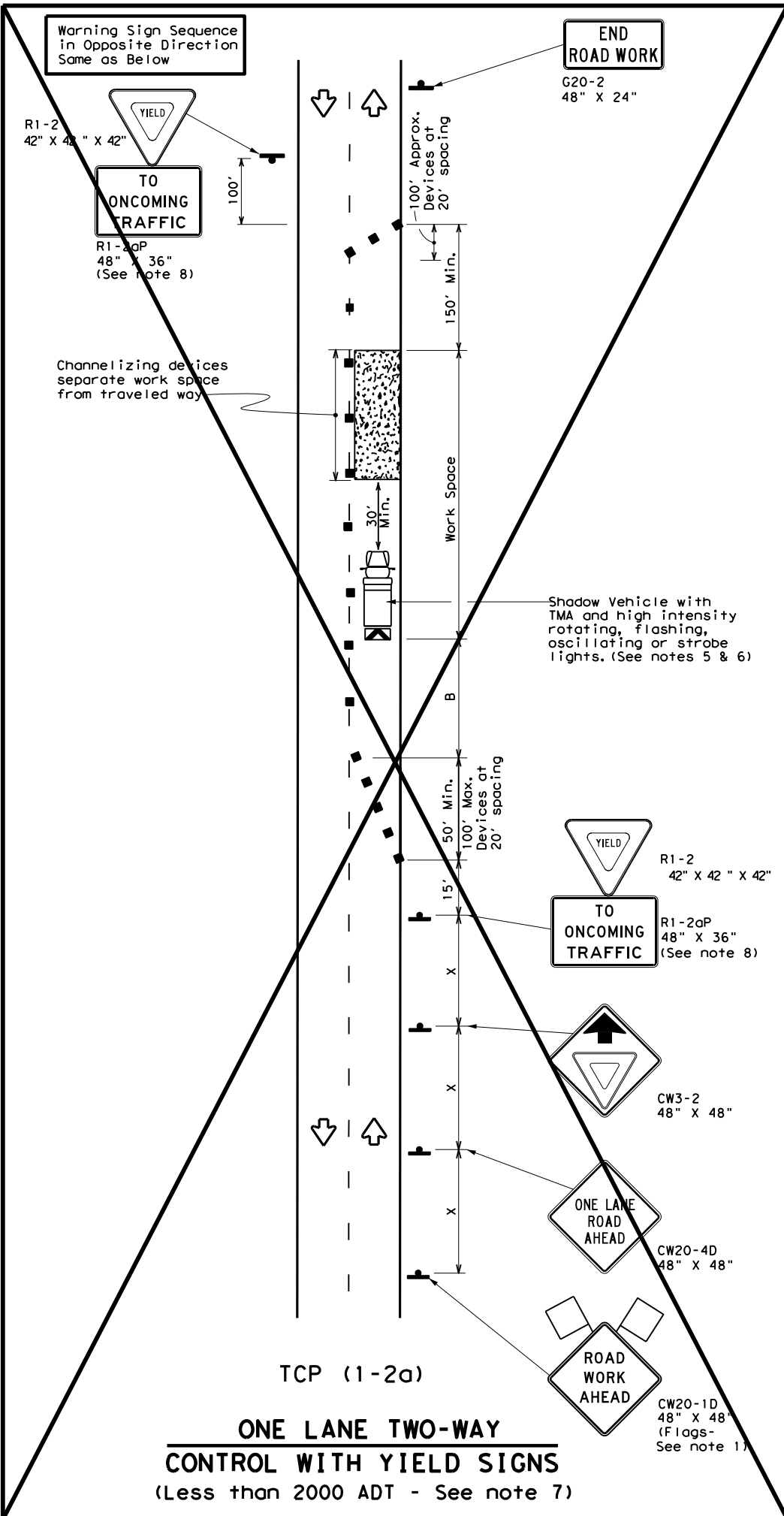
TCP (1-1) - 18

FILE: tcp1-1-18.dgn	DN:	CK:	DW:	CK:
© TxDOT December 1985	CONT	SECT	JOB	HIGHWAY
REVISIONS	6452	01	001	IH 37
2-94 4-98	DIST	COUNTY	SHEET NO.	
8-95 2-12	SAT	ATASCOSA	20	
1-97 2-18				

DATE:
FILE:

DISCLAIMER: The use of this standard is governed by the "Texas Engineering Practice Act". No warranty of any kind is made by TxDOT for any purpose whatsoever. TxDOT assumes no responsibility for the conversion of this standard to other formats or for incorrect results or damages resulting from its use.

DATE: FILE:



LEGEND

	Type 3 Barricade		Channelizing Devices
	Heavy Work Vehicle		Truck Mounted Attenuator (TMA)
	Trailer Mounted Flashing Arrow Board		Portable Changeable Message Sign (PCMS)
	Sign		Traffic Flow
	Flag		Flagger

Posted Speed * X	Formula L = WS ² / 60	Minimum Desirable Taper Lengths **			Suggested Maximum Spacing of Channelizing Devices		Minimum Sign Spacing "X" Distance	Suggested Longitudinal Buffer Space "B"	Stopping Sight Distance
		10' Offset	11' Offset	12' Offset	On a Taper	On a Tangent			
30		150'	165'	180'	30'	60'	120'	90'	200'
35		205'	225'	245'	35'	70'	160'	120'	250'
40		265'	295'	320'	40'	80'	240'	155'	305'
45	L = WS	450'	495'	540'	45'	90'	320'	195'	360'
50		500'	550'	600'	50'	100'	400'	240'	425'
55		550'	605'	660'	55'	110'	500'	295'	495'
60		600'	660'	720'	60'	120'	600'	350'	570'
65		650'	715'	780'	65'	130'	700'	410'	645'
70		700'	770'	840'	70'	140'	800'	475'	730'
75		750'	825'	900'	75'	150'	900'	540'	820'

* Conventional Roads Only
 ** Taper lengths have been rounded off.
 L=Length of Taper (FT) W=Width of Offset (FT) S=Posted Speed (MPH)

TYPICAL USAGE

MOBILE	SHORT DURATION	SHORT TERM STATIONARY	INTERMEDIATE TERM STATIONARY	LONG TERM STATIONARY
	✓	✓		

GENERAL NOTES

- Flags attached to signs where shown are REQUIRED.
 - All traffic control devices illustrated are REQUIRED, except those denoted with the triangle symbol may be omitted when stated elsewhere in the plans, or for routine maintenance work, when approved by the Engineer.
 - The CW3-4 "BE PREPARED TO STOP" sign may be installed after the CW20-4D "ONE LANE ROAD AHEAD" sign, but proper sign spacing shall be maintained.
 - Sign spacing may be increased or an additional CW20-1D "ROAD WORK AHEAD" sign may be used if advance warning ahead of the flagger or R1-2 "YIELD" sign is less than 1500 feet.
 - A Shadow Vehicle with a TMA should be used anytime it can be positioned 30 to 100 feet in advance of the area of crew exposure without adversely affecting the performance or quality of the work. If workers are no longer present but road or work conditions require the traffic control to remain in place, Type 3 Barricades or other channelizing devices may be substituted for the Shadow Vehicle and TMA.
 - Additional Shadow Vehicles with TMAs may be positioned off the paved surface, next to those shown in order to protect wider work spaces.
- ~~TCP (1-2a)~~
- R1-2 "YIELD" sign traffic control may be used on projects with approaches that have adequate sight distance. For projects in urban areas, work spaces should be no longer than one half city block. In rural areas on roadways with less than 2000 ADT, work spaces should be no longer than 400 feet.
 - R1-2 "YIELD" sign with R1-2aP "TO ONCOMING TRAFFIC" plaque shall be placed on a support at a 7 foot minimum mounting height.
- ~~TCP (1-2b)~~
- Flaggers should use two-way radios or other methods of communication to control traffic.
 - Length of work space should be based on the ability of flaggers to communicate.
 - If the work space is located near a horizontal or vertical curve, the buffer distances should be increased in order to maintain adequate stopping sight distance to the flagger and a queue of stopped vehicles (see table above).
 - Channelizing devices on the center-line may be omitted when a pilot car is leading traffic and approved by the Engineer.
 - Flaggers should use 24" STOP/SLOW paddles to control traffic. Flags should be limited to emergency situations.

Texas Department of Transportation Traffic Operations Division Standard

TRAFFIC CONTROL PLAN
ONE-LANE TWO-WAY
TRAFFIC CONTROL

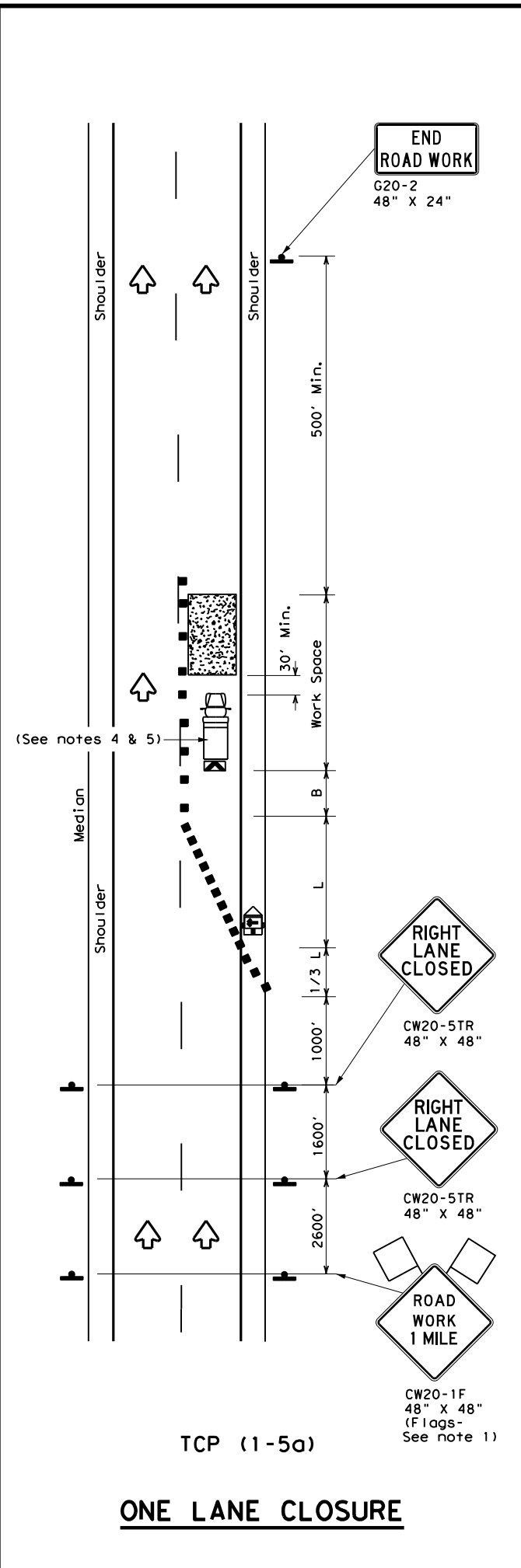
TCP (1-2) - 18

FILE: tcp1-2-18.dgn	DN:	CK:	DW:	CK:
© TxDOT December 1985	CONT	SECT	JOB	HIGHWAY
REVISIONS	6452	01	001	IH 37
4-90 4-98	DIST	COUNTY	SHEET NO.	
2-94 2-12	SAT	ATASCOSA	21	
1-97 2-18				

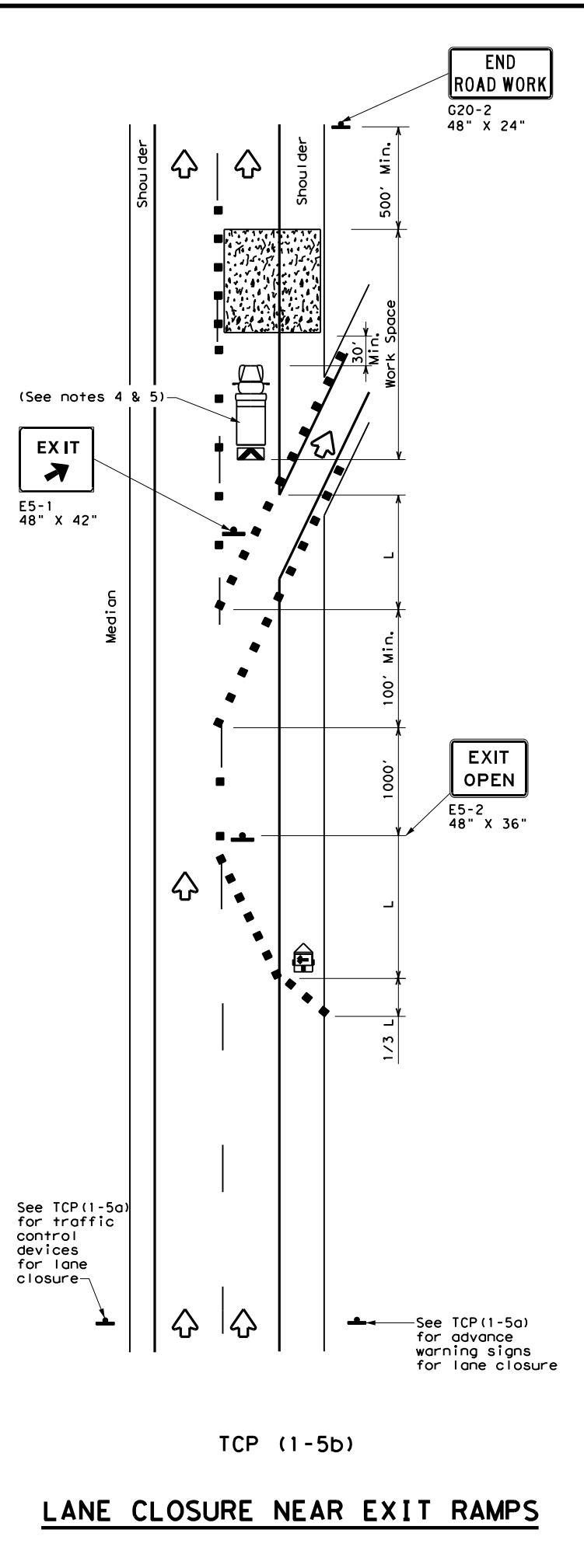
152

DISCLAIMER: The use of this standard is governed by the "Texas Engineering Practice Act". No warranty of any kind is made by TxDOT for any purpose whatsoever. TxDOT assumes no responsibility for the conversion of this standard to other formats or for incorrect results or damages resulting from its use.

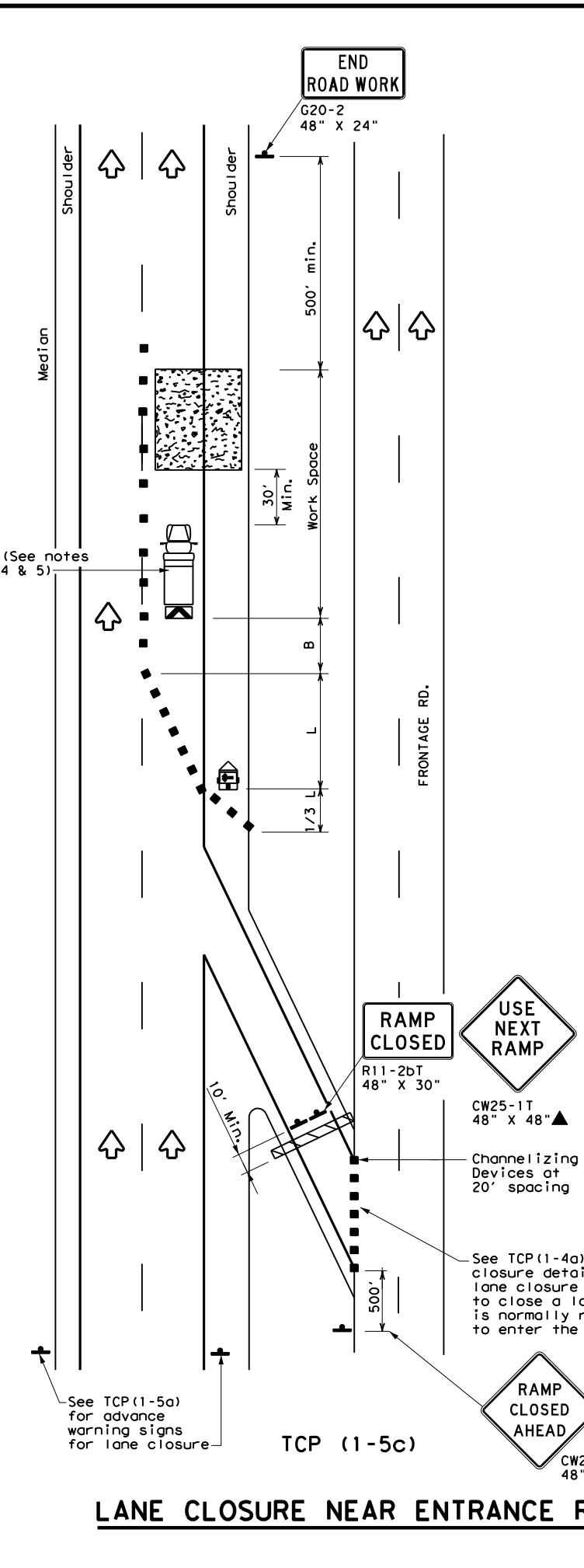
DATE:
FILE:



ONE LANE CLOSURE



LANE CLOSURE NEAR EXIT RAMP



LANE CLOSURE NEAR ENTRANCE RAMP

LEGEND			
	Type 3 Barricade		Channelizing Devices
	Heavy Work Vehicle		Truck Mounted Attenuator (TMA)
	Trailer Mounted Flashing Arrow Board		Portable Changeable Message Sign (PCMS)
	Sign		Traffic Flow
	Flag		Flagger

Posted Speed *	Formula	Minimum Desirable Taper Lengths **			Suggested Maximum Spacing of Channelizing Devices		Minimum Sign Spacing "X" Distance	Suggested Longitudinal Buffer Space "B"
		10' Offset	11' Offset	12' Offset	On a Taper	On a Tangent		
30	$L = \frac{WS^2}{60}$	150'	165'	180'	30'	60'	120'	90'
35		205'	225'	245'	35'	70'	160'	120'
40		265'	295'	320'	40'	80'	240'	155'
45	L = WS	450'	495'	540'	45'	90'	320'	195'
50		500'	550'	600'	50'	100'	400'	240'
55		550'	605'	660'	55'	110'	500'	295'
60		600'	660'	720'	60'	120'	600'	350'
65		650'	715'	780'	65'	130'	700'	410'
70		700'	770'	840'	70'	140'	800'	475'
75		750'	825'	900'	75'	150'	900'	540'

* Conventional Roads Only
 ** Taper lengths have been rounded off.
 L=Length of Taper (FT) W=Width of Offset (FT) S=Posted Speed (MPH)

TYPICAL USAGE				
MOBILE	SHORT DURATION	SHORT TERM STATIONARY	INTERMEDIATE TERM STATIONARY	LONG TERM STATIONARY
		✓		

- GENERAL NOTES**
- Flags attached to signs where shown, are REQUIRED.
 - All traffic control devices illustrated are REQUIRED, except those denoted with the triangle symbol may be omitted when stated elsewhere in the plans, or for routine maintenance work, when approved by the Engineer.
 - Channelizing devices used to close lanes may be supplemented with the Chevron Alignment Sign placed on every other channelizing device. Chevrons may be attached to plastic drums as per BC Standards.
 - Shadow Vehicle with TMA and high intensity rotating, flashing, oscillating or strobe lights. A Shadow Vehicle with a TMA should be used anytime it can be positioned 30 to 100 feet in advance of the area of crew exposure without adversely affecting the performance or quality of the work. If workers are no longer present but road or work conditions require the traffic control to remain in place, Type 3 Barricades or other channelizing devices may be substituted for the Shadow Vehicle and TMA.
 - Additional Shadow Vehicles with TMAs may be positioned in each closed lane, on the shoulder or off the paved surface, next to those shown in order to protect a wider work space.

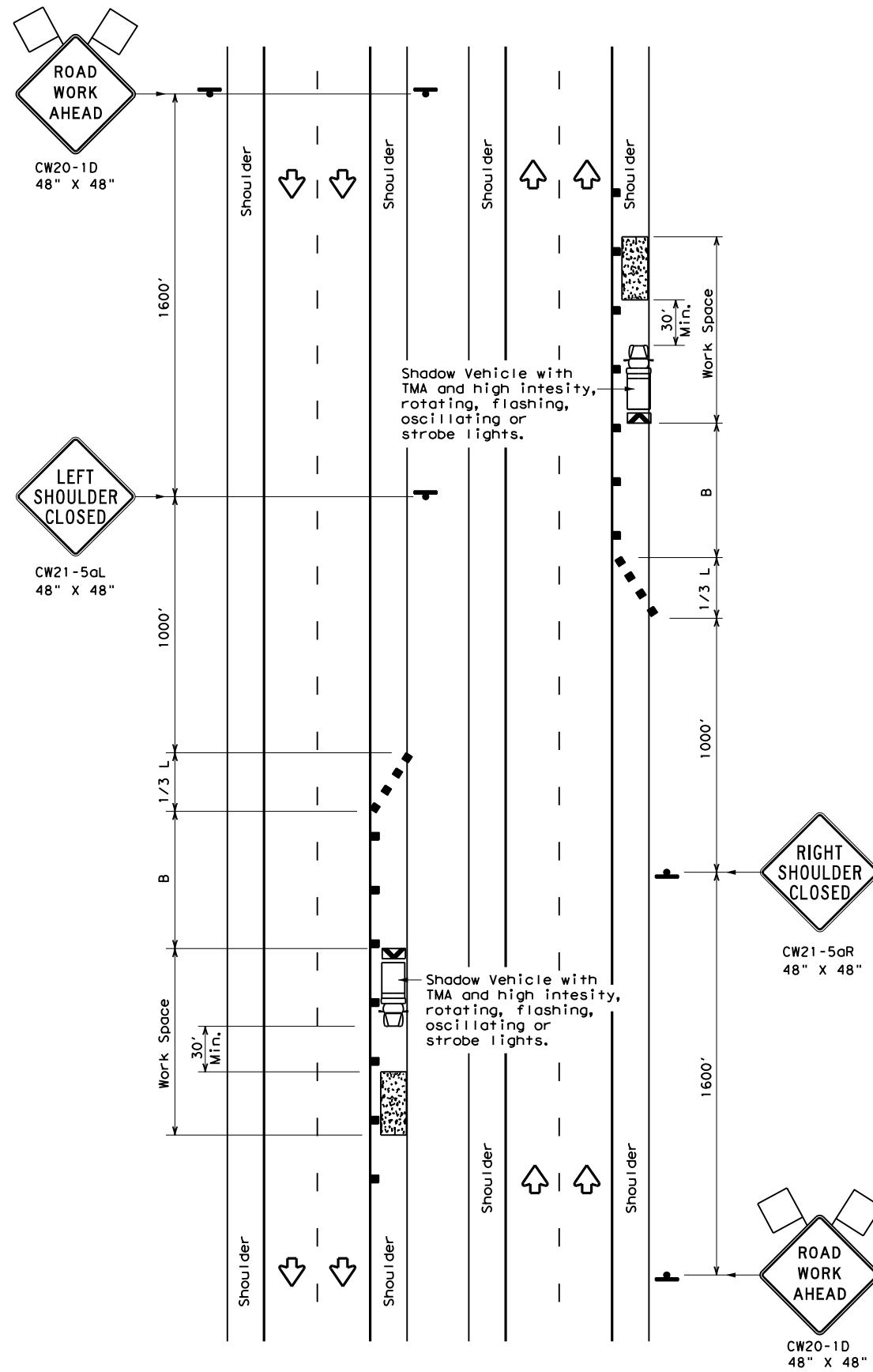
Texas Department of Transportation
 Traffic Operations Division Standard

TRAFFIC CONTROL PLAN
LANE CLOSURES FOR
DIVIDED HIGHWAYS
TCP (1-5) - 18

FILE: tcp1-5-18.dgn	DN:	CK:	DW:	CK:
© TxDOT February 2012	CONT	SECT	JOB	HIGHWAY
2-18	6452	01	001	IH 37
	DIST	COUNTY	SHEET NO.	
	SAT	ATASCOSA	22	

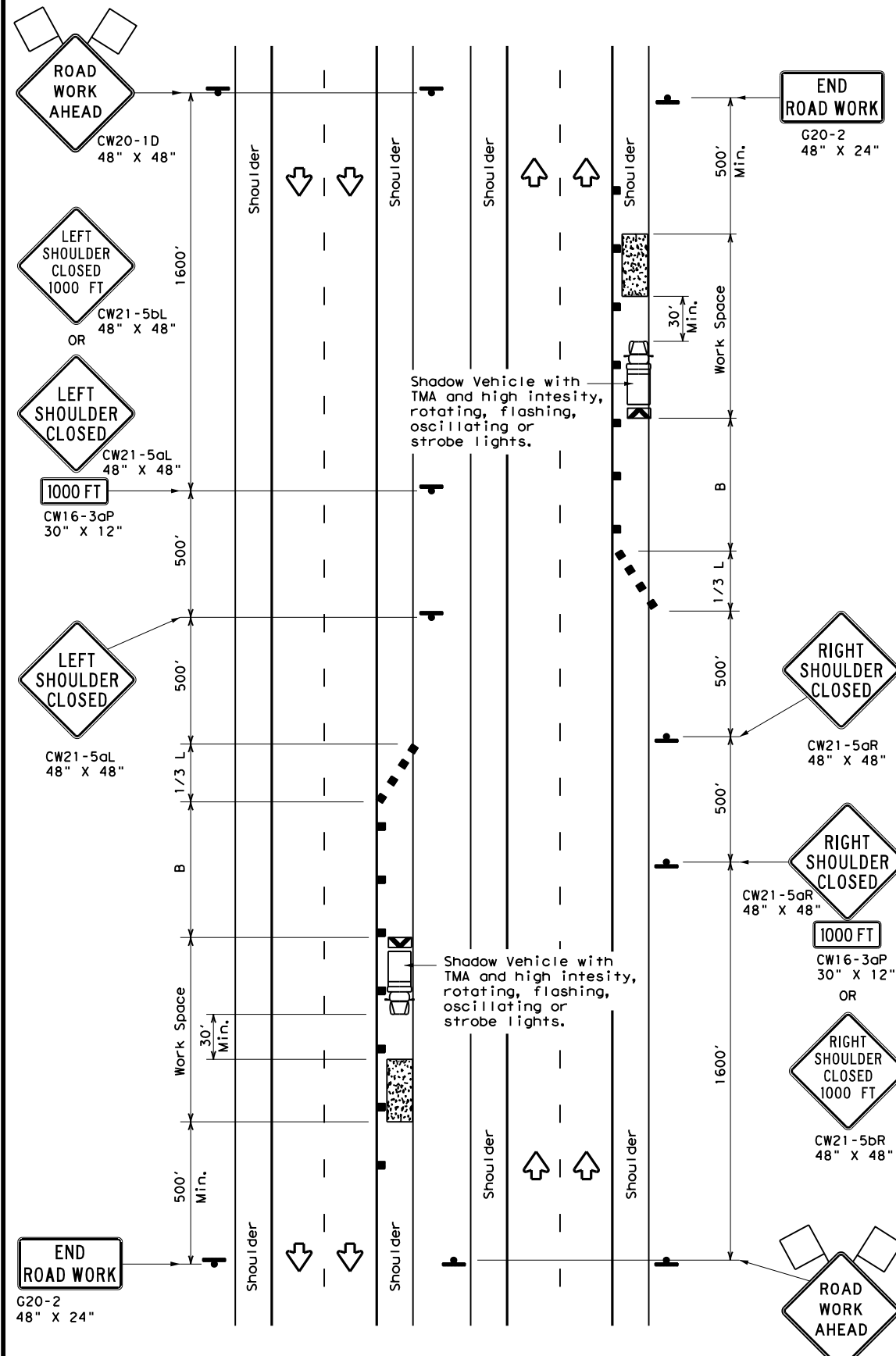
DISCLAIMER: The use of this standard is governed by the "Texas Engineering Practice Act". No warranty of any kind is made by TxDOT for any purpose whatsoever. TxDOT assumes no responsibility for the conversion of this standard to other formats or for incorrect results or damages resulting from its use.

DATE:
FILE:



TCP (5-1a)

WORK AREA ON SHOULDER



TCP (5-1b)

WORK AREA ON SHOULDER

LEGEND			
	Type 3 Barricade		Channelizing Devices
	Heavy Work Vehicle		Truck Mounted Attenuator (TMA)
	Trailer Mounted Flashing Arrow Board		Portable Changeable Message Sign (PCMS)
	Sign		Traffic Flow
	Flag		Flagger

Posted Speed *	Formula	Minimum Desirable Taper Lengths **			Suggested Maximum Spacing of Channelizing Devices		Suggested Longitudinal Buffer Space "B"
		10' Offset	11' Offset	12' Offset	On a Taper	On a Tangent	
30	$L = \frac{WS^2}{60}$	150'	165'	180'	30'	60'	90'
35		205'	225'	245'	35'	70'	120'
40		265'	295'	320'	40'	80'	155'
45	L = WS	450'	495'	540'	45'	90'	195'
50		500'	550'	600'	50'	100'	240'
55		550'	605'	660'	55'	110'	295'
60		600'	660'	720'	60'	120'	350'
65		650'	715'	780'	65'	130'	410'
70		700'	770'	840'	70'	140'	475'
75		750'	825'	900'	75'	150'	540'
80		800'	880'	960'	80'	160'	615'

* Conventional Roads Only
 ** Taper lengths have been rounded off.
 L=Length of Taper (FT) W=Width of Offset (FT) S=Posted Speed (MPH)

TYPICAL USAGE				
MOBILE	SHORT DURATION	SHORT TERM STATIONARY	INTERMEDIATE TERM STATIONARY	LONG TERM STATIONARY
	TCP (5-1a)	TCP (5-1b)	TCP (5-1b)	

GENERAL NOTES

1. A Shadow Vehicle with a TMA should be used anytime it can be positioned 30' to 100' in advance of the area of crew exposure without adversely affecting the performance or quality of the work. Type 3 barricades or drums may be substituted when workers on foot are no longer present when approved by the Engineer.
2. 28" tall or taller one-piece cones will be allowed only for Short Duration or Short Term stationary operations when workers are present to maintain the devices upright and in proper location. Intermediate Term stationary work areas should use Drums, Vertical Panels or 42" tall two-piece cones.



**TRAFFIC CONTROL PLAN
 SHOULDER WORK FOR
 FREEWAYS / EXPRESSWAYS**

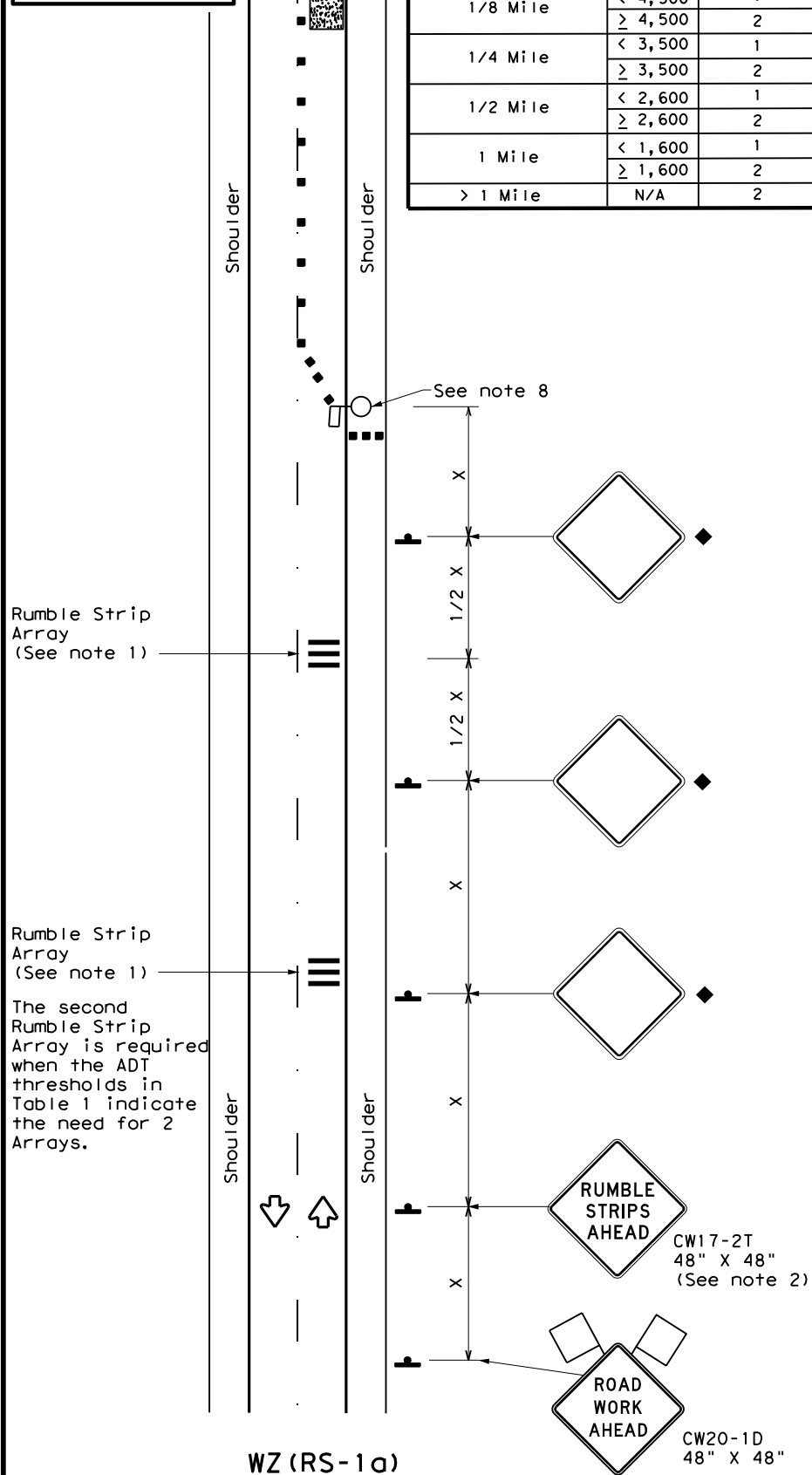
TCP (5-1) - 18

FILE: tcp5-1-18.dgn	DN:	CK:	DW:	CK:
© TxDOT February 2012	CONT	SECT	JOB	HIGHWAY
REVISIONS	6452	01	001	IH 37
2-18	DIST	COUNTY	SHEET NO.	
	SAT	ATASCOSA	23	

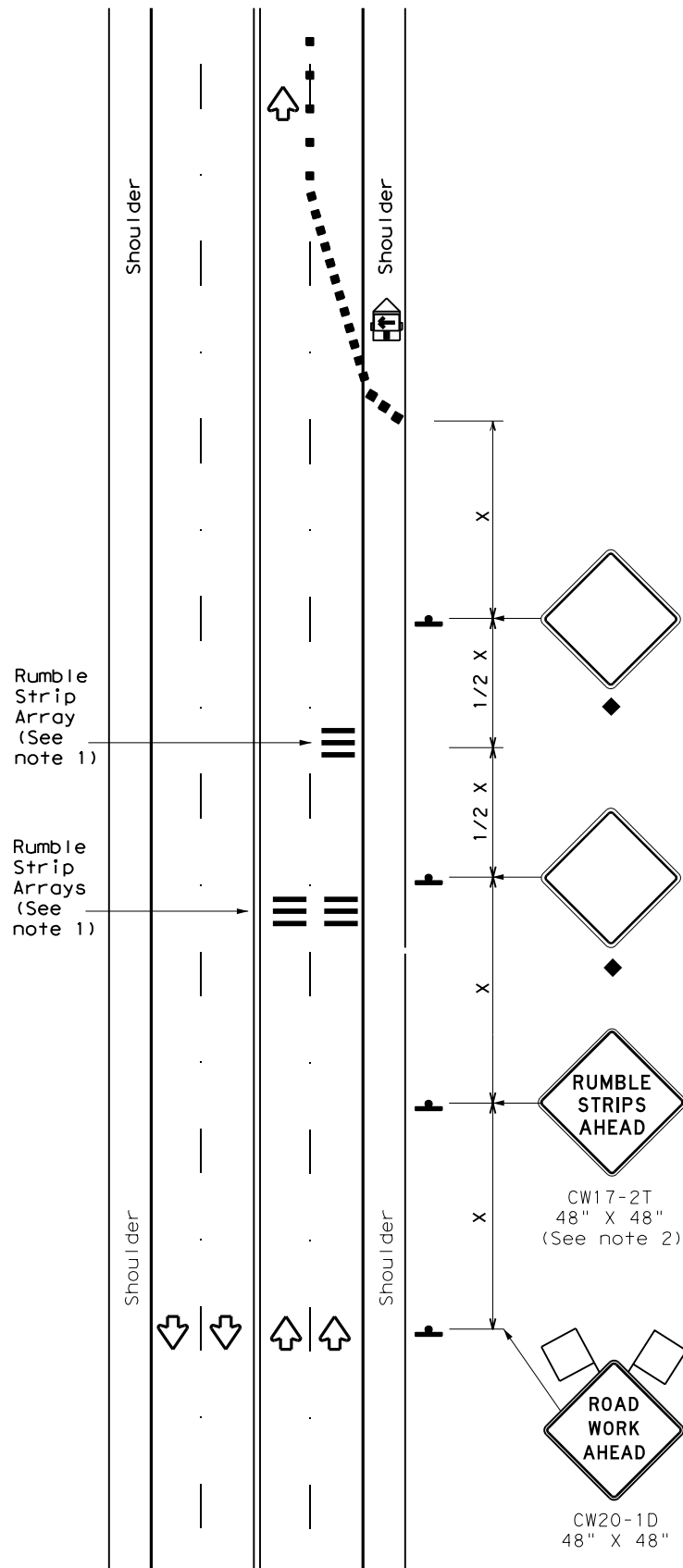
DISCLAIMER: The use of this standard is governed by the "Texas Engineering Practice Act". No warranty of any kind is made by TxDOT for any purpose whatsoever. TxDOT assumes no responsibility for the conversion of this standard to other formats or for incorrect results or damages resulting from its use.

Warning sign and rumble strip sequence in opposite direction is same as below.

Flagger to Flagger (Length of Work Area)	ADT	# of Rumble Strip Arrays
1/8 Mile	< 4,500	1
	≥ 4,500	2
1/4 Mile	< 3,500	1
	≥ 3,500	2
1/2 Mile	< 2,600	1
	≥ 2,600	2
1 Mile	< 1,600	1
	≥ 1,600	2
> 1 Mile	N/A	2



RUMBLE STRIPS ON ONE-LANE TWO-WAY APPLICATION



RUMBLE STRIPS FOR LANE CLOSURE ON CONVENTIONAL ROADWAY

GENERAL NOTES

- Each Rumble Strip Array should consist of three rumble strips spaced center to center at the spacing shown in Table 2, placed transverse across the lane at locations shown.
- The CW17-2T "RUMBLE STRIPS AHEAD" sign should be located after the CW20-1D "ROAD WORK AHEAD" sign and spaced as shown. If traffic is observed to be queuing, or is expected to queue beyond the Rumble Strips, the CW17-2T sign and the first Rumble Strip Array may be located upstream of the CW20-1D sign as necessary to provide needed warning.
- Temporary Rumble Strips will be considered subsidiary to Item 502, and shall be a product listed on the Compliant Work Zone Traffic Control Devices.
- Remove Temporary Rumble Strips before removing the advanced warning signs.
- Temporary Rumble Strips should not be used on horizontal curves, loose gravel, soft or bleeding asphalt, heavily rutted pavements or unpaved surfaces.
- Temporary Rumble Strips shall be installed and maintained as per manufacturer's recommendations.
- This standard sheet shall be used in conjunction with other appropriate TCP standard, TMUTCD typical application or project specific detail for the project.
- The one-lane two-way application may utilize a flagger, an Automated Flagger Assistance Device (AFAD) or a Portable Traffic Signal (PTS).
- Replace defective Temporary Rumble Strips as directed by the Engineer.
- Temporary Rumble Strips may be used on freeways or expressways based on engineering judgment and written direction from the Engineer.

Speed	Approximate distance between strips in an array
≤ 40 MPH	10'
> 40 MPH & ≤ 55 MPH	15'
= 60 MPH	20'
≥ 65 MPH	* 35' +

	Type 3 Barricade		Channelizing Devices
	Heavy Work Vehicle		Truck Mounted Attenuator (TMA)
	Trailer Mounted Flashing Arrow Panel		Portable Changeable Message Sign (PCMS)
	Sign		Traffic Flow
	Flag		Flagger

Posted Speed *	Formula	Minimum Desirable Taper Lengths **			Suggested Maximum Spacing of Channelizing Devices		Minimum Sign Spacing "X" Distance	Suggested Longitudinal Buffer Space "B"
		10' Offset	11' Offset	12' Offset	On a Taper	On a Tangent		
30	L = WS/2 60	150'	165'	180'	30'	60'	120'	90'
35		205'	225'	245'	35'	70'	160'	120'
40		265'	295'	320'	40'	80'	240'	155'
45	L = WS	450'	495'	540'	45'	90'	320'	195'
50		500'	550'	600'	50'	100'	400'	240'
55		550'	605'	660'	55'	110'	500'	295'
60		600'	660'	720'	60'	120'	600'	350'
65		650'	715'	780'	65'	130'	700'	410'
70		700'	770'	840'	70'	140'	800'	475'
75		750'	825'	900'	75'	150'	900'	540'

* Conventional Roads Only
 ** Taper lengths have been rounded off.
 L=Length of Taper (FT) W=Width of Offset (FT)
 S=Posted Speed (MPH)

MOBILE	SHORT DURATION	SHORT TERM STATIONARY	INTERMEDIATE TERM STATIONARY	LONG TERM STATIONARY
	✓	✓		

◆ Signs are for illustrative purposes only. Signs required may vary depending on the TCP, TMUTCD Typical Application, or project specific details for the project.
 * For posted speeds in excess of 65 MPH, it is recommended that spacing is increased as speed limits increase. Increasing space between rumble strips will improve effectiveness.

Texas Department of Transportation Traffic Safety Division Standard

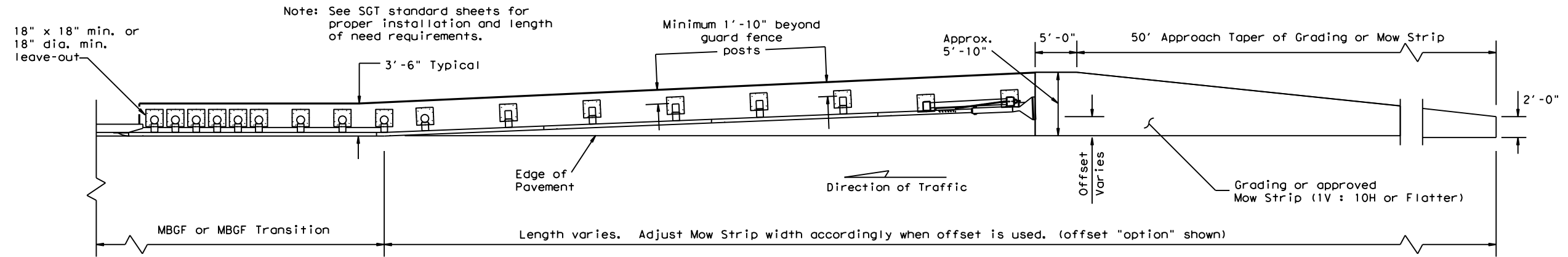
TEMPORARY RUMBLE STRIPS

WZ (RS) - 22

FILE: wzrs22.dgn	DN: TxDOT	CK: TxDOT	DW: TxDOT	CK: TxDOT
© TxDOT November 2012	CONT	SECT	JOB	HIGHWAY
REVISIONS	6452	01	001	IH 37
2-14 1-22	DIST	COUNTY	SHEET NO.	
4-16	SAT	ATASCOSA	24	

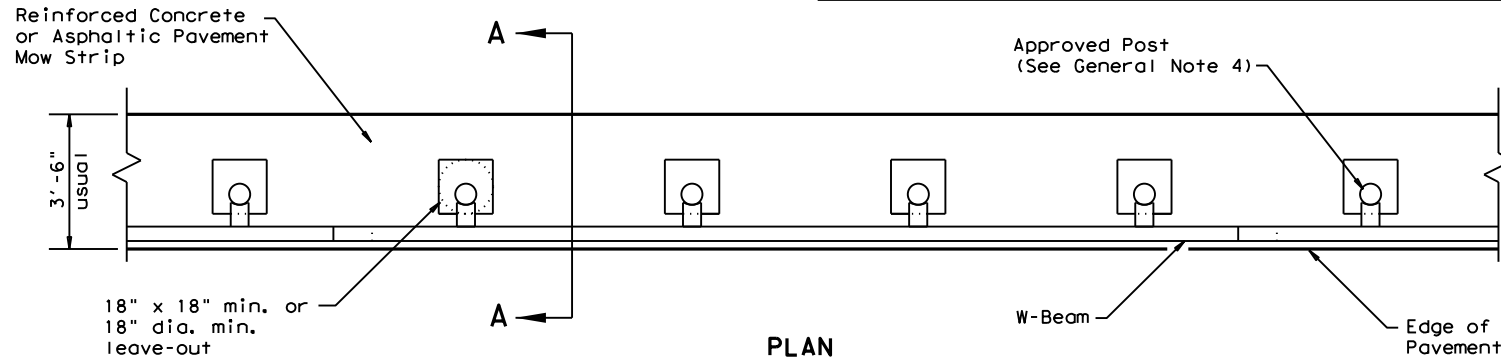
DATE: FILE:

DISCLAIMER: THE USE OF THIS STANDARD IS GOVERNED BY THE "TEXAS ENGINEERING PRACTICE ACT". NO WARRANTY OF ANY KIND IS MADE BY TXDOT FOR ANY PURPOSE WHATSOEVER. TXDOT ASSUMES NO RESPONSIBILITY FOR THE CONVERSION OF THIS STANDARD TO OTHER FORMATS OR FOR INCORRECT RESULTS OR DAMAGES RESULTING FROM ITS USE.



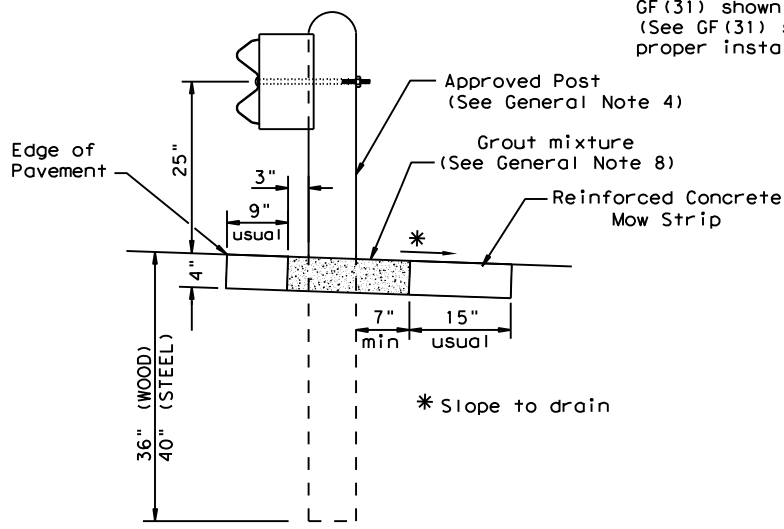
GRADING AND MOW STRIP AT GUARDRAIL END TREATMENTS

Note: Site Condition(s)
 Site conditions may exist where grading is required for the proper installation of metal guard fence and end treatments.
 Approach grading or mow strip may be decreased or eliminated, as directed by the Engineer.



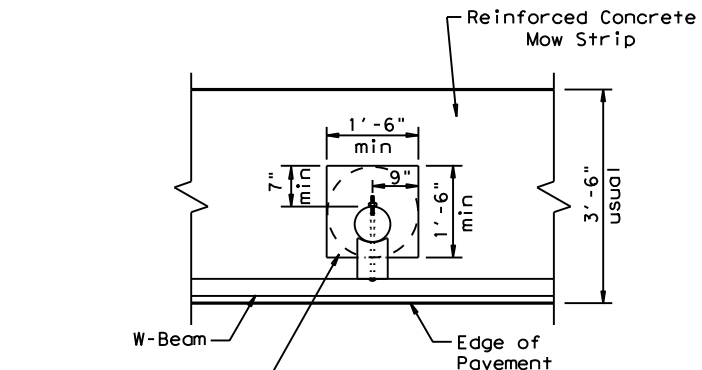
PLAN

GF(31) shown with Mow Strip
 (See GF(31) standard sheet for proper installation)



SECTION A-A

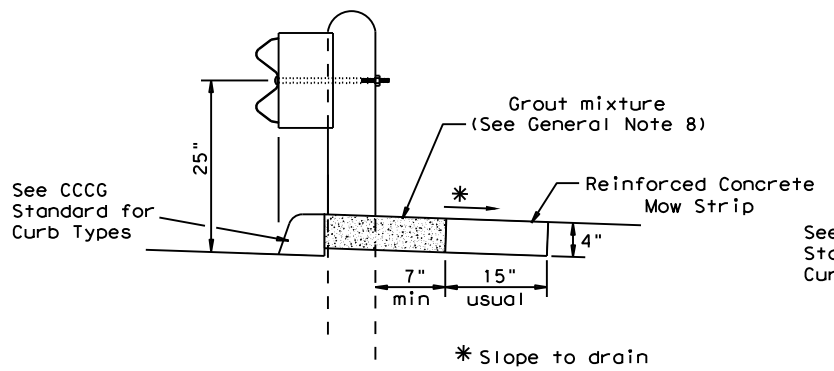
Typical



MOW STRIP DETAIL

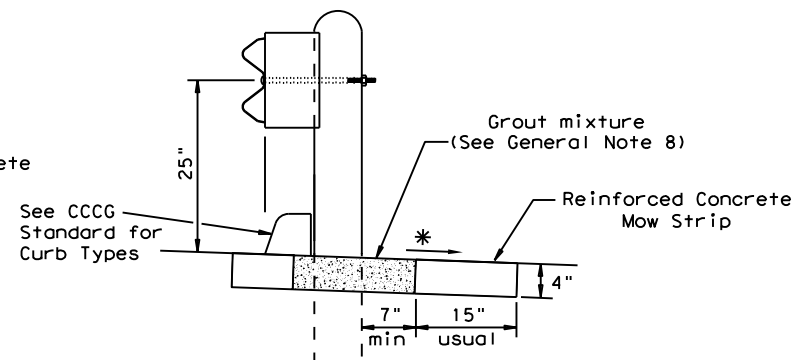
Reinforced Concrete Mow Strip with 18\"/>

- GENERAL NOTES**
1. This mow strip design is for use with metal beam guard fence, guard fence transitions, and guard fence end treatments. See applicable GF(31) MBGF or GF(31) Transition Standard sheet for additional information.
 2. Mow strips shall be reinforced concrete with (wire mesh or synthetic fiber), as shown on the plans and will be paid for under the pertinent bid item. Reinforced concrete shall be placed in accordance with Item 432, "Riprap." The use of the synthetic fiber in lieu of steel reinforcing is acceptable, provided the fiber producer is on the Department Material Producer List (MPL), maintained by TxDOT, Construction Division.
 3. The leave-out behind the post shall be a minimum of 7".
 4. Only steel (W6 x 8.5 or W6 x 9.0), or 7 1/2" Dia. round wood posts are acceptable for use in the mow strip. See GF(31) Standard for additional details.
 5. Other curb placement options may be used. Curbs are not considered part of the mow strip and will be paid for under other pertinent bid item.
 6. Thickness of the mow strip will be 4".
 7. The limits of payment for reinforced concrete will include leave-outs for the posts.
 8. The leave-outs shall be filled with a Grout mixture consisting of: 2719 pounds sand, 188 pounds Type 1 or II cement, and 550 pounds of water per cubic yard, with a 28-day compressive strength of approximately 230 psi or less. Provide grout with a consistency that will flow into and completely fill all voids. Due to auger size, larger leave-out dimensions are acceptable from both an impact performance and maintenance repair standpoint (Suggested Maximum leave-out of 20"). Payment for furnishing and placing the grout mixture will be subsidiary to the pay item of riprap mow strip.



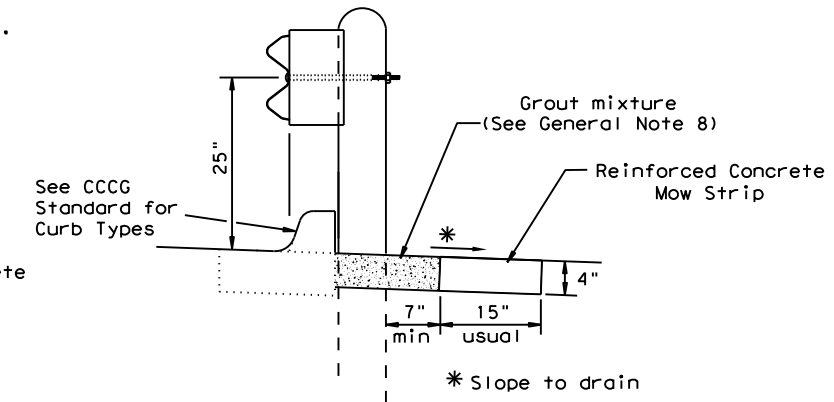
CURB OPTION (1)

This option will increase the post embedment throughout the system.



CURB OPTION (2)

Curb shown on top of mow strip



CURB OPTION (3)

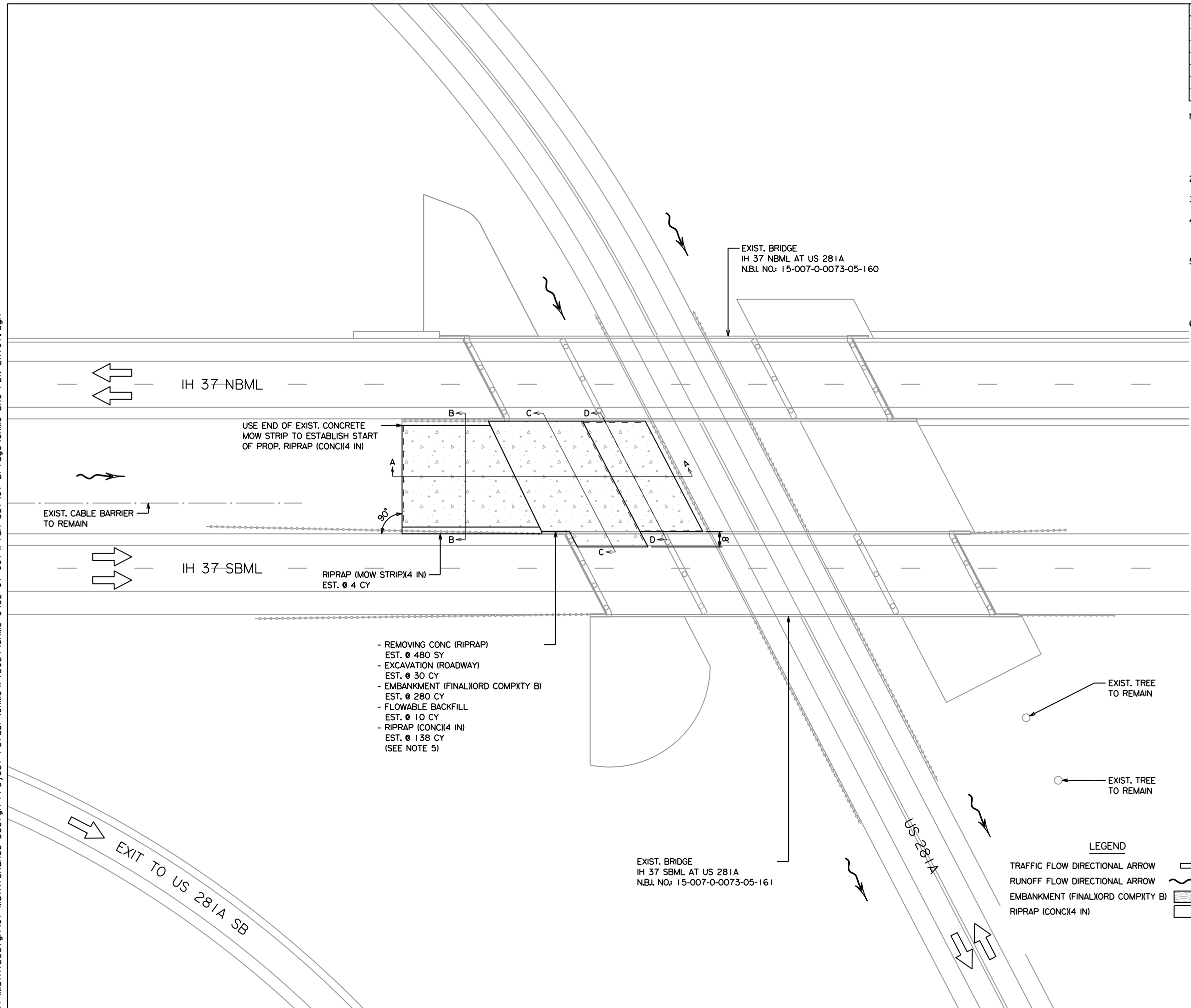
				Design Division Standard	
METAL BEAM GUARD FENCE (MOW STRIP) TL-3 MASH COMPLIANT GF(31)MS-19					
FILE: gf31ms19.dgn	DN: TxDOT	CK: KM	DW: VP	CK: CGL/AG	REVISIONS
©TXDOT: NOVEMBER 2019	CONT	SECT	JOB	HIGHWAY	
	6452	01	001	IH 37	
	DIST	COUNTY	SHEET NO.		
	SAT	ATASCOSA	25		

DATE:
FILE:

10/31/2023 10:57 PM
 T:\Maint\Design\01 Maintenance Design Project Folder\GRMC\FY2024\GRMC*6452-01*001\Plan Set\07 Bridge\GRMC*BRG*PLN*LAY01.dgn

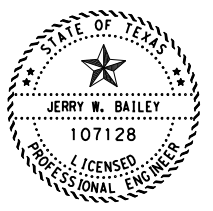
QUANTITY SUMMARY RMC: 6452-01-001			
ITEM	DESCRIPTION	UNIT	QTY
0104-6009	REMOVING CONC (RIPRAP)	SY	480
0110-6001	EXCAVATION (ROADWAY)	CY	30
0132-6003	EMBANKMENT (FINAL/ORD COMPLYTY B)	CY	280
0401-6001	FLOWABLE BACKFILL	CY	10
0432-6001	RIPRAP (CONC)(4 IN)	CY	138
0432-6045	RIPRAP (MOW STRIP)(4 IN)	CY	4

- NOTES:
- REMOVAL OF EXIST. RIPRAP WILL BE BY SAWCUT AT COLD JOINT IN ACCORDANCE WITH SPECIFICATION ITEM 0104 REMOVING CONCRETE. THIS WORK WILL NOT BE PAID FOR SEPARATELY; IT WILL BE MADE SUBSIDIARY TO BID ITEM 0104-6009 REMOVING CONC (RIPRAP).
 - INTENT OF 30 CY EXCAVATION (ROADWAY) IS TO REMOVE IN SITU EMBANKMENT SPOILS AT TOE OF IH 37 ML HEADER SLOPES.
 - EMBANKMENT (FINAL/ORD COMPLYTY B) WILL NOT CONSIST OF GRANULAR MATERIAL, INCLUDING, BUT NOT LIMITED TO, SAND.
 - INTENT OF FLOWABLE BACKFILL IS TO FILL VOIDS UNDERNEATH ABUTTING RIPRAP EXPOSED DURING THE REMOVAL OF EXISTING CONCRETE RIPRAP. FLOWABLE BACKFILL PLACEMENT LOCATIONS TO BE AS DIRECTED/APPROVED BY THE ENGINEER.
 - EXIST. GABION MATTRESSES THAT CONFLICT WITH PROPOSED RIPRAP (CONC)(4 IN) WILL BE REMOVED AND DISPOSED OF BY CONTRACTOR. THIS WORK WILL NOT BE PAID FOR SEPARATELY; IT WILL BE MADE SUBSIDIARY TO BID ITEM 0432-6001 RIPRAP (CONC)(4 IN). FOR CONTRACTORS INFORMATION ONLY: EXISTING QUANTITY OF GABION MATTRESSES (GALV)(12 IN) IS 210 SY.
 - FOR SECTIONAL VIEWS REFER TO BRIDGE PLAN LAYOUT SHEET 02 OF 02.



- REMOVING CONC (RIPRAP)
EST. @ 480 SY
- EXCAVATION (ROADWAY)
EST. @ 30 CY
- EMBANKMENT (FINAL/ORD COMPLYTY B)
EST. @ 280 CY
- FLOWABLE BACKFILL
EST. @ 10 CY
- RIPRAP (CONC)(4 IN)
EST. @ 138 CY
(SEE NOTE 5)

LATITUDE: 28° 46' 57.10" N
 LONGITUDE: 98° 18' 54.30" W



Jerry W. Bailey, P.E.

10/31/2023
DATE

SCALE
HORIZONTAL: 1" = 50'
VERTICAL: N/A

- LEGEND
- TRAFFIC FLOW DIRECTIONAL ARROW
 - RUNOFF FLOW DIRECTIONAL ARROW
 - EMBANKMENT (FINAL/ORD COMPLYTY B)
 - RIPRAP (CONC)(4 IN)

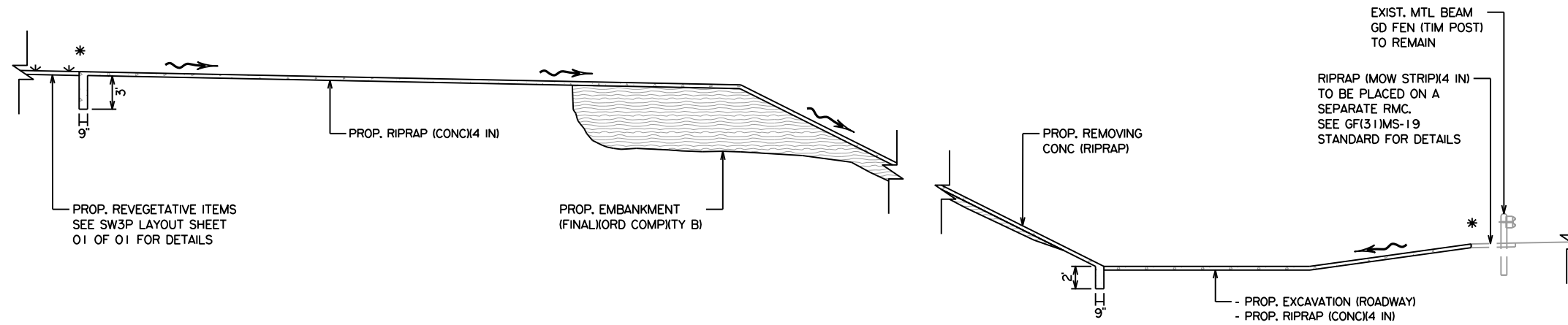
Texas Department of Transportation
© 2023

IH 37 BRIDGE PLAN LAYOUT

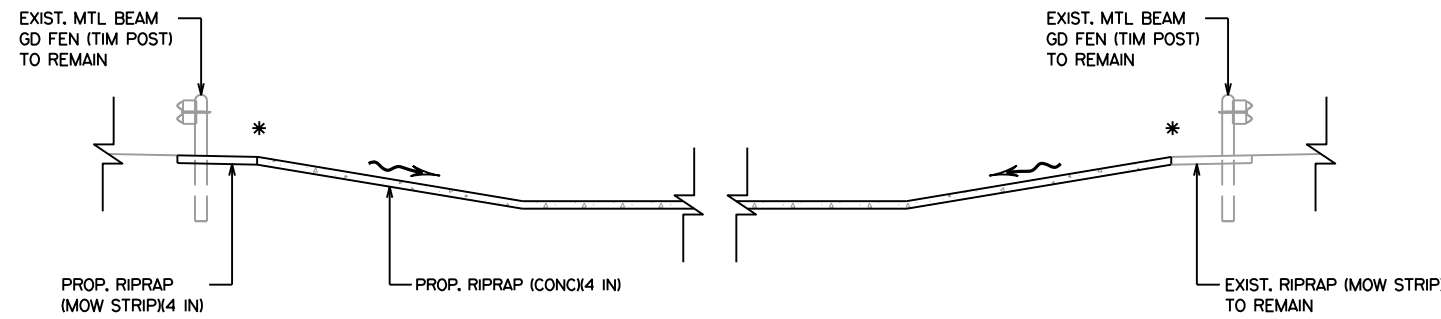
SHEET 01 OF 02

FED. DIV. NO.	FEDERAL AID PROJECT		SHEET NO.
6			26
STATE	DIST.	COUNTY	
TEXAS	SAT	ATASCOSA	
CONT.	SECT.	JOB	HIGHWAY NO.
6452	01	001	IH 37

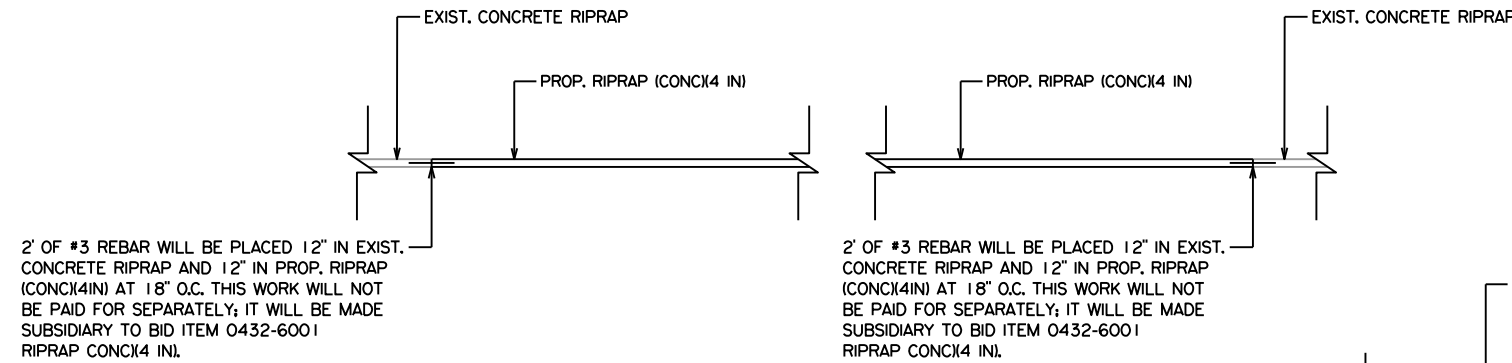
10/31/2023 10:57 PM T:\Maint\Design\01 Maintenance Design Project Folder\GRMC\FY2024\GRMC*6452*01*001\Plan Set\07 Bridge\GRMC*BRG*PLN*LAY02.dgn



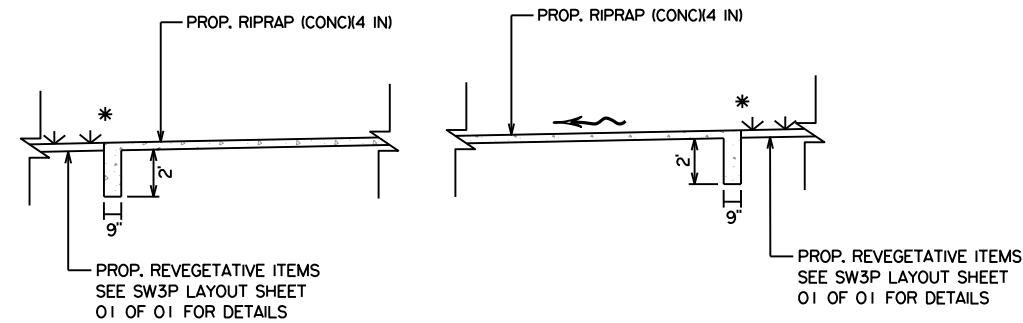
SECTIONAL VIEW A-A



SECTIONAL VIEW B-B

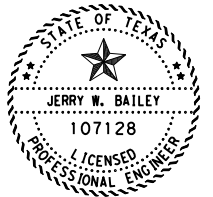


SECTIONAL VIEW C-C



SECTIONAL VIEW D-D

* PROP. REVEGETATIVE ITEMS AND RIPRAP (CONC)4 IN) GRADES SHALL MATCH ABUTTING GRADES SUCH THAT THEIR GRADES ARE FREE OF SEPARATIONS ALLOWING FOR UNIMPEDED RUNOFF ACROSS THE INTERFACE FROM EXISTING GROUND FEATURES TO PROPOSED WORK ITEMS AND FROM BETWEEN PROPOSED WORK ITEMS OF DIFFERING MATERIAL TYPES. THE INTERFACE BETWEEN EXISTING AND PROPOSED ITEMS SHALL BE A TRUE FLUSH FIT FREE OF VOIDS AND IRREGULARITIES.



Jerry W. Bailey, P.E.

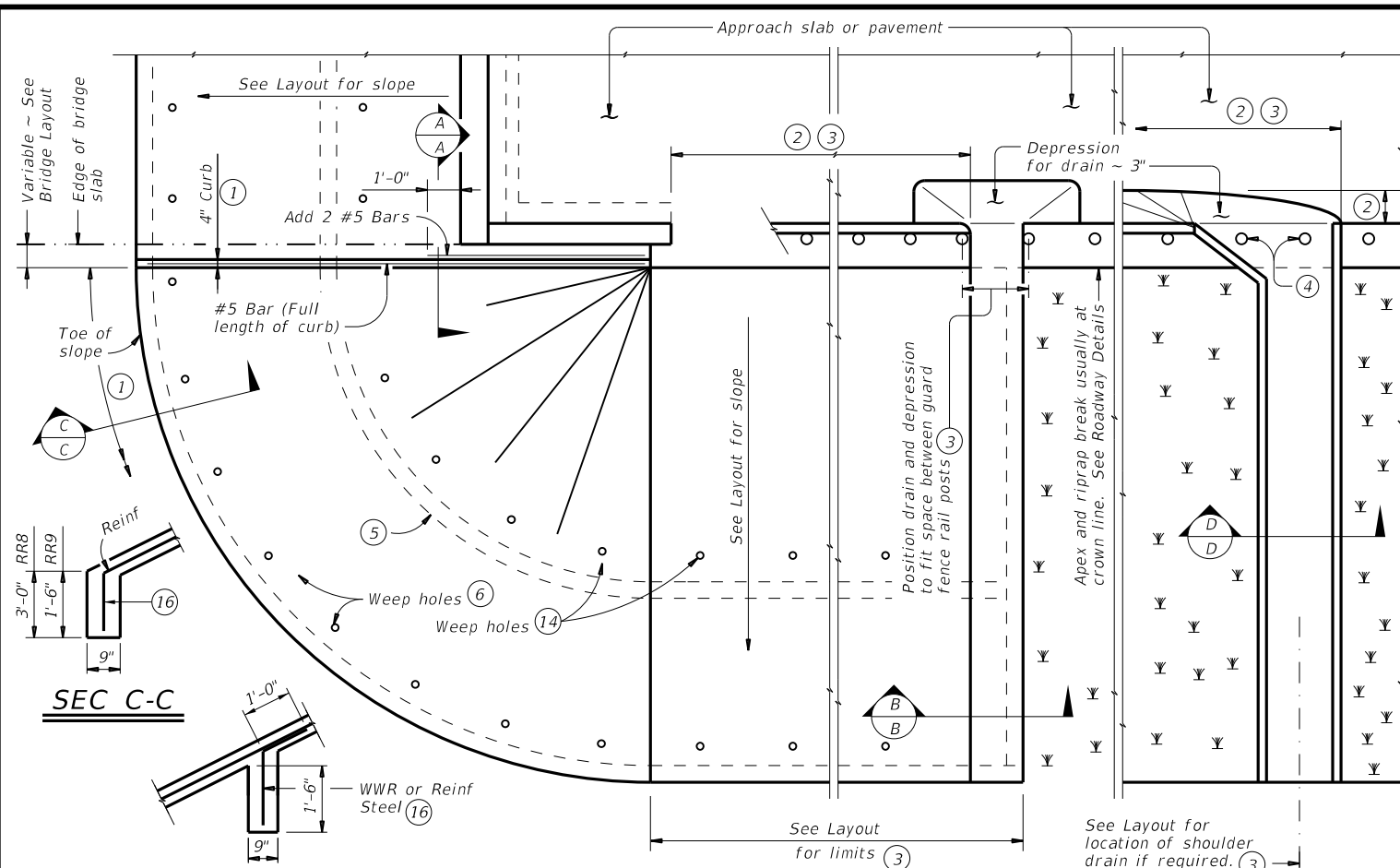
10/31/2023

JERRY W. BAILEY, P.E. DATE

SCALE
HORIZONTAL: N.T.S.
VERTICAL: N.T.S.

IH 37			
BRIDGE PLAN LAYOUT			
SHEET 02 OF 02			
FED. DIV. NO.	FEDERAL AID PROJECT		SHEET NO.
6			27
STATE	DIST.	COUNTY	
TEXAS	SAT	ATASCOSA	
CONT.	SECT.	JOB	HIGHWAY NO.
6452	01	001	IH 37

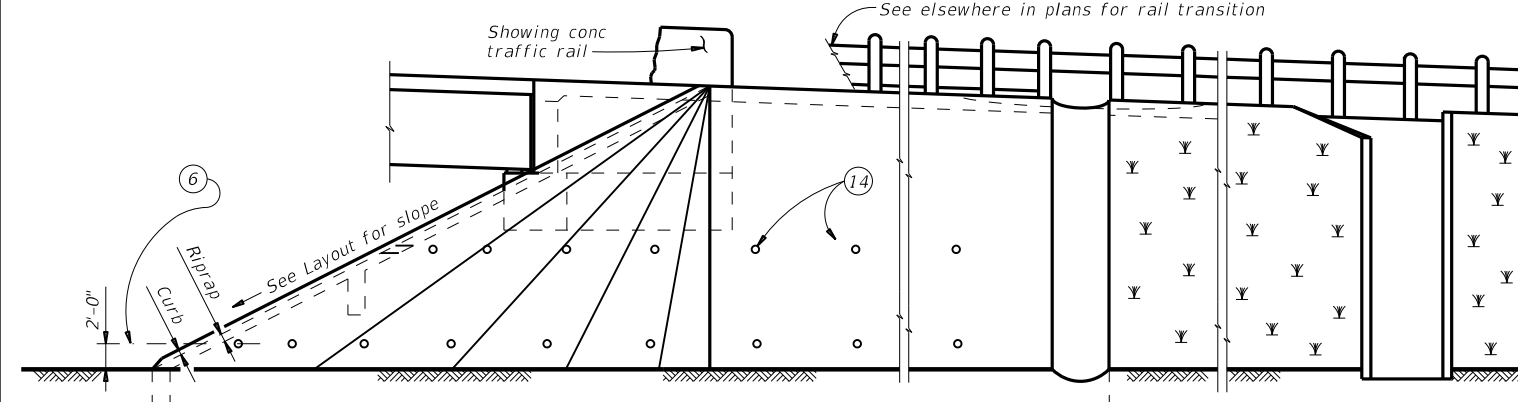
DISCLAIMER: The use of this standard is governed by the "Texas Engineering Practice Act". No warranty of any kind is made by TxDOT for any purpose whatsoever. TxDOT assumes no responsibility for the conversion of this standard to other formats or for incorrect results or damages resulting from its use.



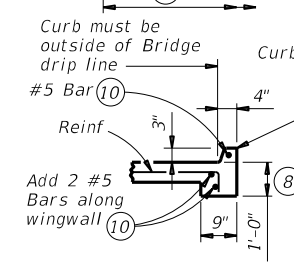
SEC C-C

INTERMEDIATE TOEWALL

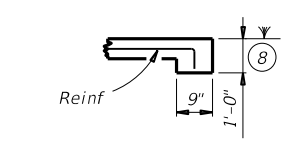
PLAN



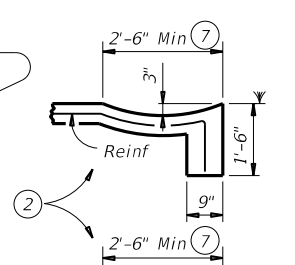
ELEVATION



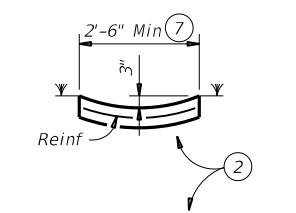
SEC A-A



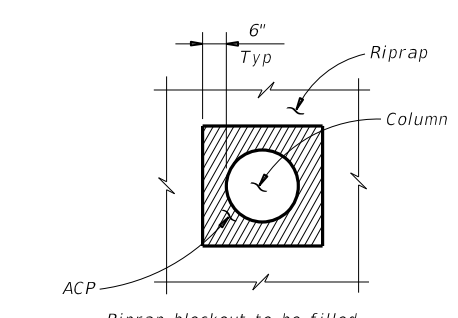
SEC B-B (No drain)



SEC B-B (Shoulder drain integral with riprap)

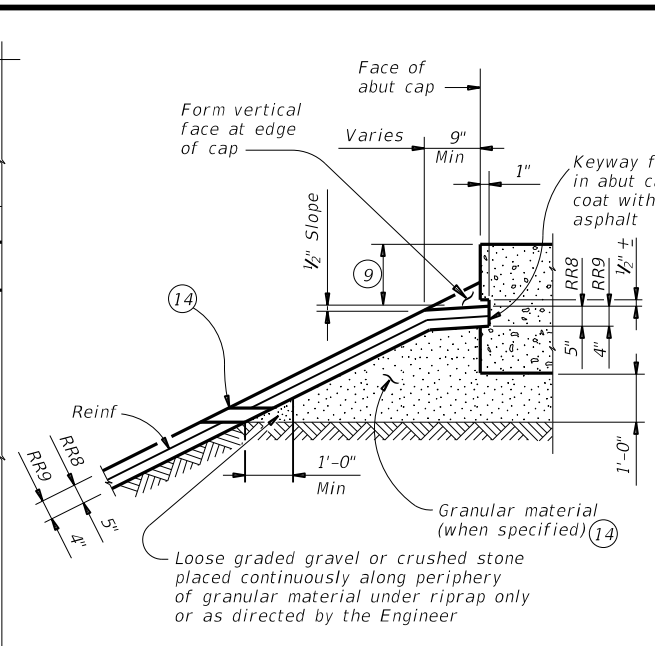


SEC D-D

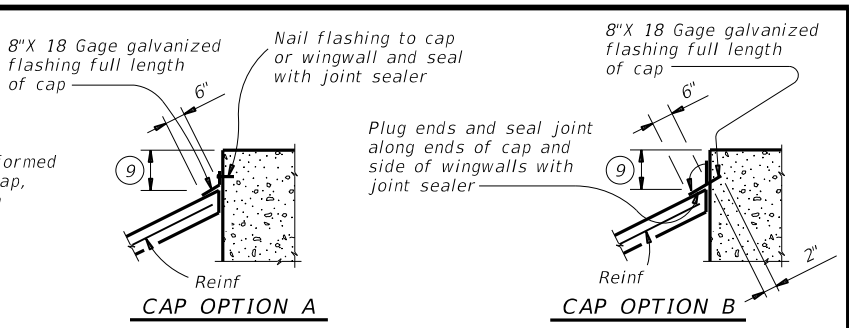


RIPRAP DETAIL AT COLUMNS

(As directed by the Engineer)

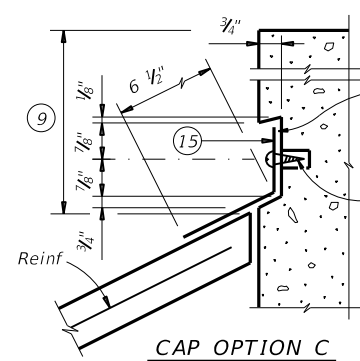


SHOWING KEYWAY OPTION

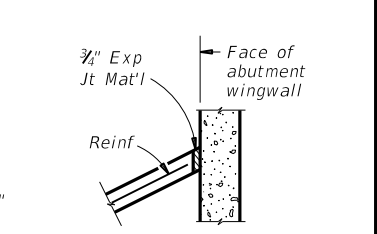


CAP OPTION A

CAP OPTION B

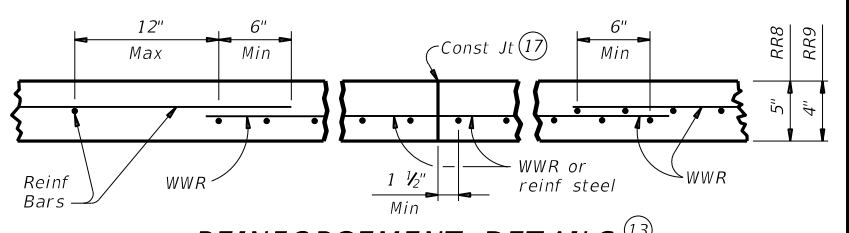


CAP OPTION C



SECT THRU RIPRAP AT WINGWALL

SECTIONS THRU RIPRAP AT CAP



REINFORCEMENT DETAILS

See General Notes for optional synthetic fiber reinforcement.

- 1 When riprap is shown extended around header on layout, extend slab and toewall as shown and eliminate 4" curb.
- 2 Limits and configuration of drains and depressions are as shown elsewhere in plans or as directed by the Engineer.
- 3 Location of shoulder drain must consider limitations imposed by rail transition. Do not locate shoulder drains at expansion joints between approach slab and concrete pavement.
- 4 See details elsewhere in plans for installation of guard fence posts through concrete riprap.
- 5 Provide intermediate toewall only when designated elsewhere in the plans or included in the specifications.
- 6 Provide lower level of 2" Dia weep holes at 10' c-c backed by 1 CF packet of gravel and galvanized hardware cloth at all locations unless directed by the Engineer to eliminate.
- 7 Use wider or other drain configurations if shown elsewhere in plans or if directed by the Engineer.
- 8 Wall extension may be reduced or modified if approved by the Engineer. Increase wall extension to 1'-6" whenever the optional intermediate toewall is called for in the plans.
- 9 Top of cap to top of riprap dimension varies as directed by the Engineer. Should be 9" Min for beam/slab type bridges and 1'-6" for slab span, box beam, or slab beam bridges.
- 10 #5 bars shown are required even when synthetic fiber reinforcing option is selected.
- 11 Provide sealing option for joint between the face of cap and riprap as designated by the Engineer or as shown elsewhere on plans.
- 12 Flashing (shown in Cap Option A) may be used at wingwall in addition to Exp Jt Mat'l if shown on plans or directed by the Engineer.
- 13 Provide #3 reinforcing bars at 18" Spa c-c. Provide Welded Wire Reinforcement (WWR) as 6x6-D2.9xD2.9 or D3xD3. Combinations of WWR and reinforcing bars may be used if both are permitted. Use lap splices of a minimum 6 inches, measured from the transverse wire of WWR, and the ends of reinforcing bars.
- 14 If granular material is specified, provide upper level of 2" Dia weep holes at 10' c-c backed by galvanized hardware cloth.
- 15 8" x 18 Gage Galv Sheet Metal
- 16 Provide WWR or #3 bars, with 1'-0" extension into slope.
- 17 WWR or reinforcing steel is continuous through riprap construction joints. Provide WWR or reinforcing steel that extends 1'-1" minimum into adjacent riprap on each side of construction joint even if synthetic reinforcing fiber is utilized.

GENERAL NOTES:

- Provide Class "B" concrete (f'c = 2,000 psi) unless noted elsewhere in plans.
- Provide Grade 60 reinforcing steel.
- Provide deformed welded wire reinforcement (WWR) meeting ASTM A1064, unless otherwise shown.
- Provide reinforcing bars, deformed WWR, or any suitable combination of both types for riprap reinforcing, unless specified elsewhere in the plans.
- Optionally synthetic fibers may be used if approved by the Engineer. Provide synthetic fibers listed on the "Fibers for Concrete" Material Producer List (MPL) in lieu of steel reinforcing in riprap concrete.
- Install construction joints or grooved joints extending the full slant slope height at intervals of approximately 20 feet unless otherwise directed by the Engineer.
- Hardware cloth, loose grade stone behind weep holes, flashing, or other sealing material are subsidiary to the bid item "Riprap". See Layout for limits of riprap.
- RR8 is to be used on stream crossings.
- RR9 is to be used on other embankments.

FOR CONTRACTOR'S INFORMATION ONLY:

5" of RR8	= 0.015 CY/SF
4" of RR9	= 0.012 CY/SF
#3 Reinf at 18" c-c	= 0.501 Lbs/SF
6x6-D3xD3	= 0.408 Lbs/SF

		Bridge Division Standard	
CONCRETE RIPRAP AND SHOULDER DRAINS EMBANKMENTS AT BRIDGE ENDS (TYPES RR8 & RR9)			
CRR			
FILE: crrstd1-19.dgn	DN: TxDOT	CK: TxDOT	OW: TxDOT
©TxDOT April 2019	CON: 6452	SECT: 01	JOB: 001
REVISIONS			HIGHWAY: IH 37
	SAT	COUNTY: ATASCOSA	SHEET NO.: 28

DATE: FILE:

10/31/2023 2:17:22 PM T:\Maint\Design\01 Maintenance Design Project Folder\GRMC\FY2024\GRMC*6452*01*001\Plan Set\09 Environmental\GRMC*ENV*SW3P*LAY*01.dgn

QUANTITY SUMMARY RMC: 6452-01-001			
ITEM	DESCRIPTION	UNIT	QTY
* 0161-6017	COMPOST MANUF TOPSOIL (4')	SY	1,750
* 0164-6001	BROADCAST SEED (PERM) (RURAL) (SANDY)	SY	1,750
* 0169-6001	SOIL RETENTION BLANKETS (CL II) (TY A)	SY	1,750
0506-6020	CONSTRUCTION EXITS (INSTALL) (TY II)	SY	112
0506-6024	CONSTRUCTION EXITS (REMOVE)	SY	112
0506-6041	BIODEG EROSN CONT LOGS (INSTL) (12')	LF	80
0506-6043	BIODEG EROSN CONT LOGS (REMOVE)	LF	80

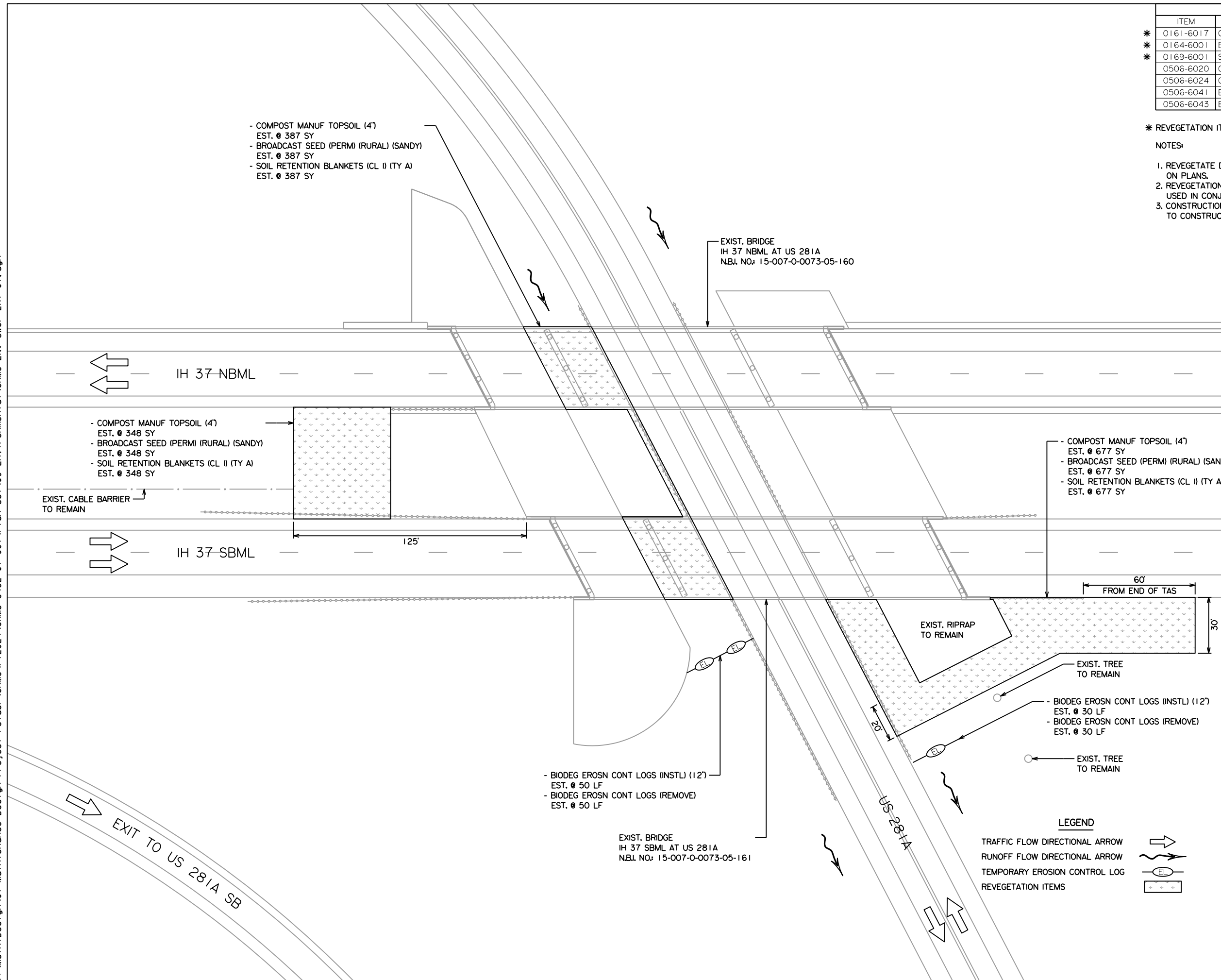
- COMPOST MANUF TOPSOIL (4')
EST. @ 387 SY
- BROADCAST SEED (PERM) (RURAL) (SANDY)
EST. @ 387 SY
- SOIL RETENTION BLANKETS (CL II) (TY A)
EST. @ 387 SY

EXIST. BRIDGE
IH 37 NBML AT US 281A
N.B.I. NO: 15-007-0-0073-05-160

*** REVEGETATION ITEMS**

NOTES:

1. REVEGETATE DISTURBED AREAS AS DIRECTED BY ENGINEER AND AS SHOWN ON PLANS.
2. REVEGETATION ITEMS 0161-6017, 0164-6001, AND 0169-6001 SHALL BE USED IN CONJUNCTION TO REVEGETATE ALL DISTURBED AREAS.
3. CONSTRUCTION EXIT LOCATON TO BE APPROVED BY ENGINEER PRIOR TO CONSTRUCTION.



IH 37-NBML

- COMPOST MANUF TOPSOIL (4')
EST. @ 348 SY
- BROADCAST SEED (PERM) (RURAL) (SANDY)
EST. @ 348 SY
- SOIL RETENTION BLANKETS (CL II) (TY A)
EST. @ 348 SY

EXIST. CABLE BARRIER
TO REMAIN

IH 37-SBML

125'

- COMPOST MANUF TOPSOIL (4')
EST. @ 677 SY
- BROADCAST SEED (PERM) (RURAL) (SANDY)
EST. @ 677 SY
- SOIL RETENTION BLANKETS (CL II) (TY A)
EST. @ 677 SY

60'
FROM END OF TAS

EXIST. RIPRAP
TO REMAIN

EXIST. TREE
TO REMAIN

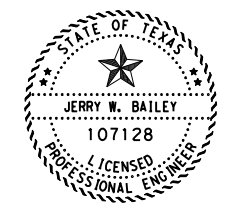
- BIODEG EROSN CONT LOGS (INSTL) (12')
EST. @ 30 LF
- BIODEG EROSN CONT LOGS (REMOVE)
EST. @ 30 LF

EXIST. TREE
TO REMAIN

- BIODEG EROSN CONT LOGS (INSTL) (12')
EST. @ 50 LF
- BIODEG EROSN CONT LOGS (REMOVE)
EST. @ 50 LF

EXIST. BRIDGE
IH 37 SBML AT US 281A
N.B.I. NO: 15-007-0-0073-05-161

LATITUDE: 28° 46' 57.10" N
LONGITUDE: 98° 18' 54.30" W



Jerry W. Bailey, P.E.
10/31/2023
DATE

SCALE
HORIZONTAL: 1" = 50'
VERTICAL: N/A



IH 37			
SW3P LAYOUT			
SHEET 01 OF 01			
FED. DIV. NO.	FEDERAL AID PROJECT		SHEET NO.
6			29
STATE	DIST.	COUNTY	
TEXAS	SAT	ATASCOSA	
CONT.	SECT.	JOB	HIGHWAY NO.
6452	01	001	IH 37

- LEGEND**
- TRAFFIC FLOW DIRECTIONAL ARROW
 - RUNOFF FLOW DIRECTIONAL ARROW
 - TEMPORARY EROSION CONTROL LOG
 - REVEGETATION ITEMS

DISCLAIMER: The use of this standard is governed by the "Texas Engineering Practice Act". No warranty of any kind is made by TxDOT for any purpose whatsoever. TxDOT assumes no responsibility for the conversion of units or the accuracy of any information derived from its use.

10/31/2023 2:17:22 PM
 T:\MaintDesign\01_Maintenance Design Project Folder\GRMC\FY2024\GRMC_6452_1_1010000.dwg

I. STORMWATER POLLUTION PREVENTION-CLEAN WATER ACT SECTION 402

Texas Pollutant Discharge Elimination System (TPDES) TXR 150000: Stormwater Discharge Permit or Construction General Permit (CGP) required for projects with 1 or more acres disturbed soil. Projects with any disturbed soil must protect for erosion and sedimentation in accordance with Item 506.

No Action Required Required Action

Action No.

- Prevent stormwater pollution by controlling erosion and sedimentation in accordance with TPDES Permit TXR 150000.
- Comply with the Storm Water Pollution Prevention Plan (SW3P) and revise when necessary to control pollution or required by the Engineer.
- Post Construction Site Notice (CSN) with SW3P information on or near the site, accessible to the public and Texas Commission on Environmental Quality (TCEQ), Environmental Protection Agency (EPA) or other inspectors.
- When Contractor project specific locations (PSL's) increase disturbed soil area to 5 acres or more, Contractor shall submit Notice of Intent (NOI) to TCEQ and the Engineer.
- NOI required: Yes No

Note: If amount of soil disturbance changes, permit requirements may change.

II. WORK IN OR NEAR STREAMS, WATERBODIES AND WETLANDS CLEAN WATER ACT SECTIONS 401 AND 404

US Army Corps of Engineers (USACE) Permit required for filling, dredging, excavating or other work in any potential USACE jurisdictional water, such as, rivers, creeks, streams, or wetlands.

The Contractor shall adhere to all of the terms and conditions associated with the following permit(s):

- No Permit Required
- Nationwide Permit (NWP) 14 - Pre-construction Notice (PCN) not Required
- Nationwide Permit 14 - PCN Required
- Individual 404 Permit Required
- Other Nationwide Permit Required: NWP# _____

Required Actions: List waters of the US permit applies to, location in project and check Best Management Practices (BMPs) planned to control erosion, sedimentation and post-project total suspended solids (TSS).

-
-
-
-

401 Best Management Practices: (Not applicable if no USACE permit)

Erosion	Sedimentation	Post-Construction TSS
<input type="checkbox"/> Temporary Vegetation	<input type="checkbox"/> Silt Fence	<input type="checkbox"/> Vegetative Filter Strips
<input type="checkbox"/> Blankets/Matting	<input type="checkbox"/> Rock Berm	<input type="checkbox"/> Retention/Irrigation Systems
<input type="checkbox"/> Mulch	<input type="checkbox"/> Triangular Filter Dike	<input type="checkbox"/> Extended Detention Basin
<input type="checkbox"/> Sodding	<input type="checkbox"/> Sand Bag Berm	<input type="checkbox"/> Constructed Wetlands
<input type="checkbox"/> Interceptor Swale	<input type="checkbox"/> Straw Bale Dike	<input type="checkbox"/> Wet Basin
<input type="checkbox"/> Diversion Dike	<input type="checkbox"/> Brush Berms	<input type="checkbox"/> Erosion Control Compost
<input type="checkbox"/> Erosion Control Compost	<input type="checkbox"/> Erosion Control Compost	<input type="checkbox"/> Mulch Filter Berm and Socks
<input type="checkbox"/> Mulch Filter Berm and Socks	<input type="checkbox"/> Mulch Filter Berm and Socks	<input type="checkbox"/> Compost Filter Berm and Socks
<input type="checkbox"/> Compost Filter Berm and Socks	<input type="checkbox"/> Compost Filter Berm and Socks	<input type="checkbox"/> Vegetation Lined Ditches
	<input type="checkbox"/> Stone Outlet Sediment Traps	<input type="checkbox"/> Sand Filter Systems
	<input type="checkbox"/> Sediment Basins	<input type="checkbox"/> Sedimentation Chambers
		<input type="checkbox"/> Grassy Swales

III. CULTURAL RESOURCES

Refer to TxDOT Standard Specifications in the event historical issues or archeological artifacts are found during construction. Upon discovery of archeological artifacts (bones, burnt rock, flint, pottery, etc.) cease work in the immediate area and contact the Engineer immediately.

No Action Required Required Action

Action No.

-
-
-
-

IV. VEGETATION RESOURCES

Preserve native vegetation to the extent practical. Contractor must adhere to Construction Specification Requirements Specs 162,164, 192, 193, 506, 730, 751, 752 in order to comply with requirements for invasive species, beneficial landscaping, and tree/brush removal commitments.

No Action Required Required Action

Action No.

-
-
-
-

V. FEDERAL LISTED, PROPOSED THREATENED, ENDANGERED SPECIES, CRITICAL HABITAT, STATE LISTED SPECIES, CANDIDATE SPECIES AND MIGRATORY BIRDS.

No Action Required Required Action

Action No.

1. MIGRATORY BIRD NESTS: Schedule construction activities as needed to meet the following requirements:

- A. Do not remove or destroy any active migratory bird nests (nests containing eggs and/or flightless birds) at any time of year. If there are any active nests, they shall not be removed until the nests become inactive.
- B. On/in structures, if there are any active nests, they shall not be removed until all nests become inactive. After inactive nests are removed and/or before nest activity begins, deterrent materials may be applied to the structures to prevent future nest building.

2. See Item 5 in General Notes.

-
-
-

If any of the listed species are observed, cease work in the immediate area, do not disturb species or habitat and contact the Engineer immediately. The work may not remove active nests from bridges and other structures during nesting season of the birds associated with the nests. If caves or sinkholes are discovered, cease work in the immediated area, and contact the Engineer immediately.

VI. HAZARDOUS MATERIALS OR CONTAMINATION ISSUES

General (applies to all projects):

Comply with the Hazard Communication Act (the Act) for personnel who will be working with hazardous materials by conducting safety meetings prior to beginning construction and making workers aware of potential hazards in the workplace. Ensure that all workers are provided with personal protective equipment appropriate for any hazardous materials used.

Obtain and keep on-site Material Safety Data Sheets (MSDS) for all hazardous products used on the project, which may include, but are not limited to the following categories: Paints, acids, solvents, asphalt products, chemical additives, fuels and concrete curing compounds or additives. Provide protected storage, off bare ground and covered, for products which may be hazardous. Maintain product labelling as required by the Act.

Maintain an adequate supply of on-site spill response materials, as indicated in the MSDS. In the event of a spill, take actions to mitigate the spill as indicated in the MSDS, in accordance with safe work practices, and contact the District Spill Coordinator immediately. The Contractor shall be responsible for the proper containment and cleanup of all product spills.

Contact the Engineer if any of the following are detected:

- * Dead or distressed vegetation (not identified as normal)
- * Trash piles, drums, canister, barrels, etc.
- * Undesirable smells or odors
- * Evidence of leaching or seepage of substances

Hazardous Materials or Contamination Issues Specific to this Project:

No Action Required Required Action

Action No.

-
-
-

Does the project involve the demolition of a span bridge?

Yes No (No further action required)

If "Yes", a pre-demolition notification must be submitted to the Texas Department of State Health Services. The contractor shall contact TxDOT's Project Engineer 25 calendar days prior to the demolition of the bridges(s) on the project to assist with the notification.

VII. OTHER ENVIRONMENTAL ISSUES

(includes regional issues such as Edwards Aquifer District, etc.)

No Action Required Required Action

Action No.

-
-
-



**ENVIRONMENTAL PERMITS,
ISSUES AND COMMITMENTS
EPIC**

FILE: epic_2015-10-09_SAT.dgn	DN: TxDOT	CK: TxDOT	DW: BW	CK: GAG
© TxDOT OCTOBER 2015	CONT	SECT	JOB	HIGHWAY
REVISIONS	6452	01	001	IH 37
	DIST	COUNTY	SHEET NO.	
	SAT	ATASCOSA	30	

STORMWATER POLLUTION PREVENTION PLAN (SWP3):

This SWP3 has been developed in accordance with TxDOT policy for projects disturbing less than 1 acre of soil, and not part of a larger common plan of development.

For all projects with any soil disturbing activities, TxDOT will maintain a SWP3 with all pertinent records, correspondence, environmental documents, etc. at the project field office. If no field office is available, then this SWP3 shall be kept at the appropriate TxDOT Area Office.

This SWP3 is consistent with requirements specified in applicable stormwater plans, and the project's environmental permits, issues, and commitments (EPICs).

1.0 SITE/PROJECT DESCRIPTION:

1.1 PROJECT CONTROL SECTION JOB (CSJ):

RMC 6452-01-001

1.2 PROJECT LIMITS:

From: IH 37

To: AT US 281A

1.3 PROJECT COORDINATES:

BEGIN: (Lat) 28° 46' 57.10" N, (Long) 98° 18' 54.30" W

END: (Lat) 28° 46' 57.10" N, (Long) 98° 18' 54.30" W

1.4 TOTAL PROJECT AREA (Acres): 0.5

1.5 TOTAL AREA TO BE DISTURBED (Acres): 0.5

1.6 NATURE OF CONSTRUCTION ACTIVITY:

EROSION REPAIR

1.7 MAJOR SOIL TYPES:

Soil Type	Description
31	ODEM LOAMY FINE SAND

1.8 PROJECT SPECIFIC LOCATIONS (PSLs):

PSLs must be depicted on the Environmental Layout Sheets in Attachment 1.2 of this SWP3. PSLs may be identified during preconstruction meetings or during the construction process. Please choose from the options below:

- PSLs determined during preconstruction meeting
- PSLs determined during construction
- No PSLs planned for construction

Type	Sheet #s

All off-ROW PSLs required by the Contractor are the Contractor's responsibility. The Contractor shall secure all permits required by local, state, federal laws for off-ROW PSLs. The contractor shall provide diagrams, areas of disturbance, acreage, and BMPs for all off-ROW PSLs within one mile of the project.

1.9 CONSTRUCTION ACTIVITIES:

(Use the following list as a starting point when developing the Construction Activity Schedule and Ceasing Record in Attachment 2.3.)

- Mobilization
- Install sediment and erosion controls
 - Blade existing topsoil into windrows, prep ROW, clear and grub
 - Remove existing pavement
- Grading operations, excavation, and embankment
 - Excavate and prepare subgrade for proposed pavement widening
 - Remove existing culverts, safety end treatments (SETs)
 - Remove existing metal beam guard fence (MBGF), bridge rail
 - Install proposed pavement per plans
 - Install culverts, culvert extensions, SETs
- Install mow strip, MBGF, bridge rail
 - Place flex base
- Rework slopes, grade ditches
 - Blade windrowed material back across slopes
- Revegetation of unpaved areas
- Achieve site stabilization and remove sediment and erosion control measures

- Other: _____
- Other: _____
- Other: _____

1.10 POTENTIAL POLLUTANTS AND SOURCES:

- Sediment laden stormwater from stormwater conveyance over disturbed area
- Fuels, oils, and lubricants from construction vehicles, equipment, and storage
- Solvents, paints, adhesives, etc. from various construction activities
- Transported soils from offsite vehicle tracking
- Construction debris and waste from various construction activities
- Contaminated water from excavation or dewatering pump-out water
- Sanitary waste from onsite restroom facilities
- Trash from various construction activities/receptacles
- Long-term stockpiles of material and waste
- Other: _____
- Other: _____
- Other: _____

1.11 RECEIVING WATERS:

Receiving waters must be depicted on the Environmental Layout Sheets in Attachment 1.2 of this SWP3. Include Segment # for receiving waters.

Tributaries	Classified Waterbody
N/A	N/A

* Add (*) for impaired waterbodies with pollutant in ().

1.12 ROLES AND RESPONSIBILITIES: TxDOT

- Development of plans and specifications
- Perform SWP3 inspections
- Maintain SWP3 records and update to reflect daily operations
- Other: _____
- Other: _____

1.13 ROLES AND RESPONSIBILITIES: CONTRACTOR

- Day To Day Operational Control
- Maintain schedule of major construction activities
- Install, maintain and modify BMPs
- Other: _____
- Other: _____

STORMWATER POLLUTION PREVENTION PLAN (SWP3) (Less Than 1 Acre)



FED. RD. DIV. NO.	PROJECT NO.			SHEET NO.
				31
STATE	STATE DIST.	COUNTY		
TEXAS	SAT	ATASCOSA		
CONT.	SECT.	JOB	HIGHWAY NO.	
6452	01	001	IH 37	

STORMWATER POLLUTION PREVENTION PLAN (SWP3):

2.0 BEST MANAGEMENT PRACTICES (BMPs) AND CONTROLS, INSPECTION, AND MAINTENANCE

The Contractor shall be the responsible party for implementing the BMPs described herein and for complying with the SWP3 for control of erosion and sedimentation during day-to-day operations. The Contractor shall implement changes to this SWP3 approved by TxDOT within the times specified in this SWP3 or the CGP.

2.1 EROSION CONTROL AND SOIL STABILIZATION BMPs:

T / P

- Protection of Existing Vegetation
- Vegetated Buffer Zones
- Soil Retention Blankets
- Geotextiles
- Mulching/ Hydromulching
- Soil Surface Treatments
- Temporary Seeding
- Permanent Planting, Sodding or Seeding
- Biodegradable Erosion Control Logs
- Rock Filter Dams/ Rock Check Dams
- Vertical Tracking
- Interceptor Swale
- Riprap
- Diversion Dike
- Temporary Pipe Slope Drain
- Embankment for Erosion Control
- Paved Flumes
- Other: COMPOST MANUFACTURED TOPSOIL
- Other: _____
- Other: _____
- Other: _____

2.2 SEDIMENT CONTROL BMPs:

T / P

- Biodegradable Erosion Control Logs
- Dewatering Controls
- Inlet Protection
- Rock Filter Dams/ Rock Check Dams
- Sandbag Berms
- Sediment Control Fence
- Stabilized Construction Exit
- Floating Turbidity Barrier
- Vegetated Buffer Zones
- Vegetated Filter Strips
- Other: _____
- Other: _____
- Other: _____
- Other: _____

Refer to the Environmental Layout Sheets/ SWP3 Layout Sheets located in Attachment 1.2 of this SWP3

2.3 PERMANENT CONTROLS:

(Coordinate post-construction BMPs with appropriate TxDOT maintenance sections.)

BMPs To Be Left In Place Post Construction:

Type	Stationing	
	From	To
N/A	N/A	N/A

Refer to the Environmental Layout Sheets/ SWP3 Layout Sheets located in Attachment 1.2 of this SWP3

2.4 OFFSITE VEHICLE TRACKING CONTROLS:

- Excess dirt/mud on road removed daily
- Haul roads dampened for dust control
- Loaded haul trucks to be covered with tarpaulin
- Stabilized construction exit
- Other: _____

Other: _____

Other: _____

Other: _____

2.5 POLLUTION PREVENTION MEASURES:

- Chemical Management
- Concrete and Materials Waste Management
- Debris and Trash Management
- Dust Control
- Sanitary Facilities
- Other: _____
- _____
- Other: _____
- _____
- Other: _____
- _____
- Other: _____
- _____

2.6 VEGETATED BUFFER ZONES:

Natural vegetated buffers shall be maintained as feasible to protect adjacent surface waters. If vegetated natural buffer zones are not feasible due to site geometry, the appropriate additional sediment control measures have been incorporated into this SWP3.

Type	Stationing	
	From	To
#9410 - URBAN HIGH INTENSITY	N/A	N/A

Refer to the Environmental Layout Sheets/ SWP3 Layout Sheets located in Attachment 1.2 of this SWP3

2.7 ALLOWABLE NON-STORMWATER DISCHARGES:

- Fire hydrant flushings
- Irrigation drainage
- Pavement washwater (where spills or leaks have not occurred, and detergents are not used)
- Potable water sources
- Springs
- Uncontaminated groundwater
- Water used to wash vehicles or control dust
- Other allowable non-stormwater discharges as allowed by TPDES GP TXR150000.

2.8 INSPECTIONS:

All disturbed areas and erosion and sediment control devices shall be inspected at least once every seven (7) days. Inspections shall be performed by TxDOT as indicated on the Field Inspection and Maintenance Report Form 2118 and retained in Attachment 2.3 of this SWP3 .

2.9 MAINTENANCE:

Control measures shall be properly installed according to specifications. If it is determined that a BMP or control measure is not operating effectively, maintenance must be accomplished as soon as possible and before the next anticipated rain event, but in no case later than 7 calendar days after being able to access the site. Maintenance shall be performed by the Contractor as indicated on the Field Inspection and Maintenance Report Form 2118 and retained in Attachment 2.3 of this SWP3.

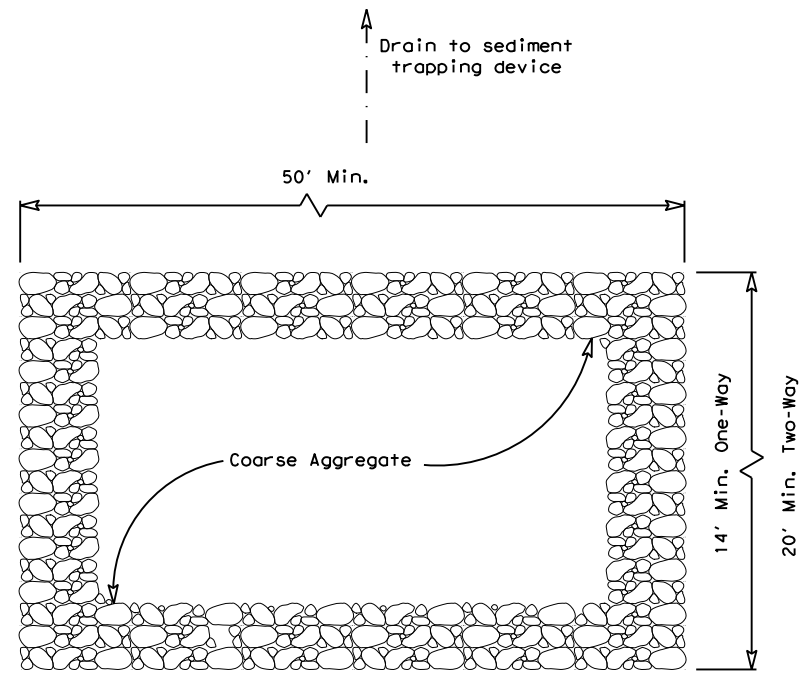
STORMWATER POLLUTION PREVENTION PLAN (SWP3) (Less Than 1 Acre)



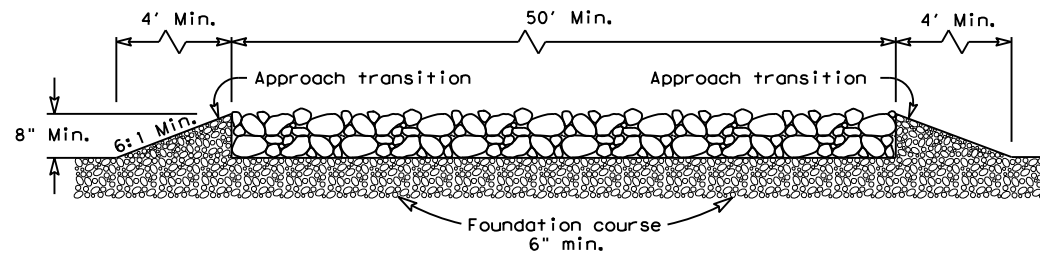
FED. RD. DIV. NO.	PROJECT NO.			SHEET NO.
				32
STATE	STATE DIST.	COUNTY		
TEXAS	SAT	ATASCOSA		
CONT.	SECT.	JOB	HIGHWAY NO.	
6452	01	001	IH 37	

DISCLAIMER:
 The use of this standard is governed by the "Texas Engineering Practice Act". No warranty of any kind is made by TxDOT for any purpose whatsoever. TxDOT assumes no responsibility for the conversion of this standard to other formats or for incorrect results or damages resulting from its use.

DATE: 10/31/2023
 FILE: T:\Maint\Design\01_Maintenance Design Project Folder\GRMC\F2024\GRMC_6452_01_001\Plan Set\00_TxDOT_Standards\EC(3)-16.dgn



PLAN VIEW

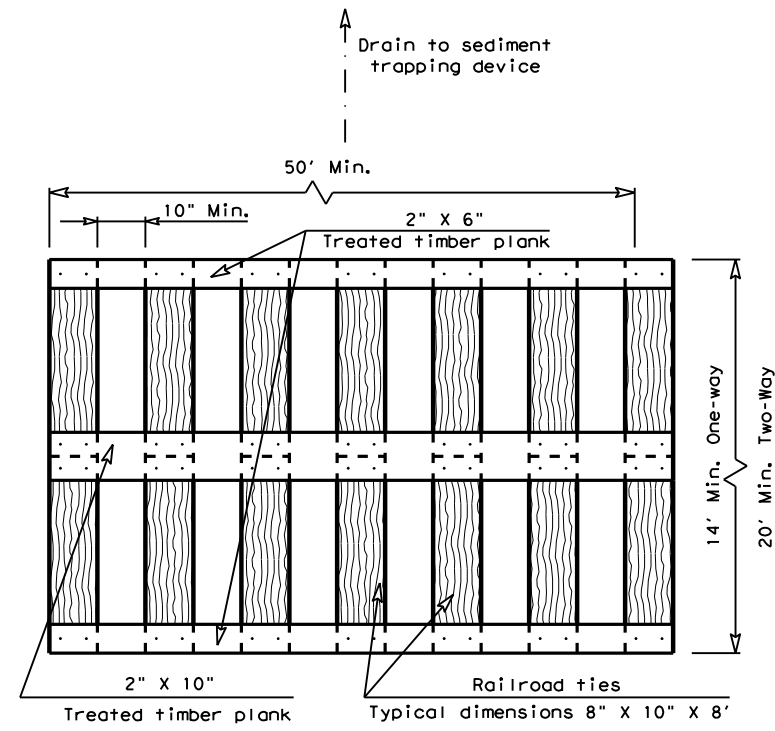


ELEVATION VIEW

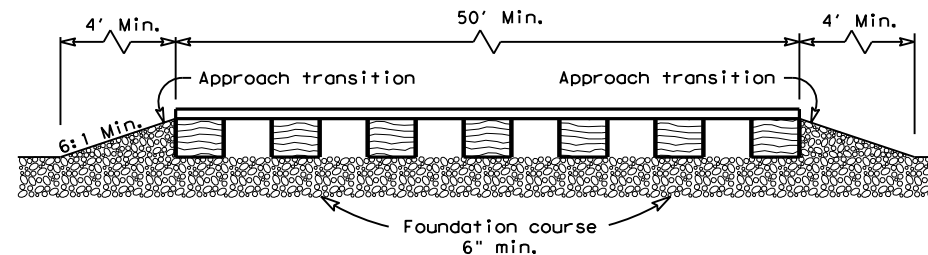
CONSTRUCTION EXIT (TYPE 1)
 ROCK CONSTRUCTION (LONG TERM)

GENERAL NOTES (TYPE 1)

- The length of the type 1 construction exit shall be as indicated on the plans, but not less than 50'.
- The coarse aggregate should be open graded with a size of 4" to 8".
- The approach transitions should be no steeper than 6:1 and constructed as directed by the Engineer.
- The construction exit foundation course shall be flexible base, bituminous concrete, portland cement concrete or other materials approved by the Engineer.
- The construction exit shall be graded to allow drainage to a sediment trapping device.
- The guidelines shown hereon are suggestions only and may be modified by the Engineer.
- Construct exits with a width of at least 14 ft. for one-way and 20 ft. for two-way traffic for the full width of the exit, or as directed by the engineer.



PLAN VIEW

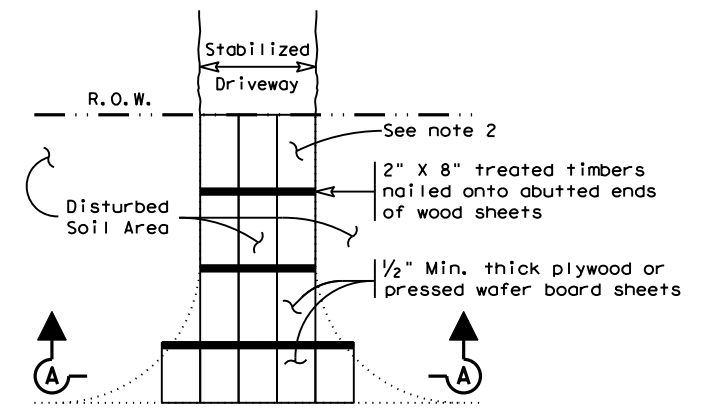


ELEVATION VIEW

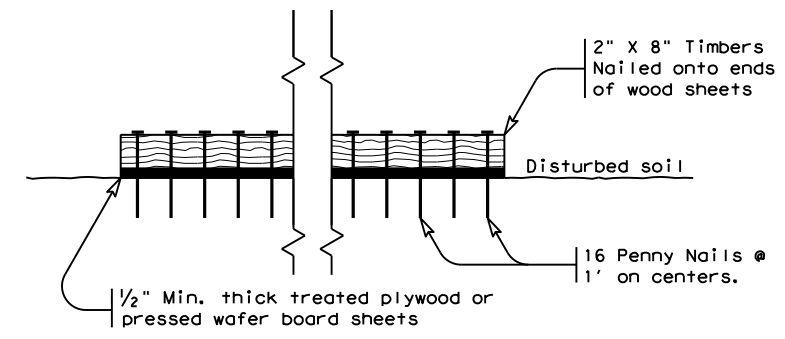
CONSTRUCTION EXIT (TYPE 2)
 TIMBER CONSTRUCTION (LONG TERM)

GENERAL NOTES (TYPE 2)

- The length of the type 2 construction exit shall be as indicated on the plans, but not less than 50'.
- The treated timber planks shall be attached to the railroad ties with 1/2" x 6" min. lag bolts. Other fasteners may be used as approved by the Engineer.
- The treated timber planks shall be #2 grade min., and should be free from large and loose knots.
- The approach transitions shall be no steeper than 6:1 and constructed as directed by the Engineer.
- The construction exit foundation course shall be flexible base, bituminous concrete, portland cement concrete or other material as approved by the Engineer.
- The construction exit should be graded to allow drainage to a sediment trapping device.
- The guidelines shown hereon are suggestions only and may be modified by the Engineer.
- Construct exits with a width of at least 14 ft. for one-way and 20 ft. for two-way traffic for the full width of the exit, or as directed by the engineer.



PLAN VIEW



SECTION A-A
 CONSTRUCTION EXIT (TYPE 3)
 SHORT TERM

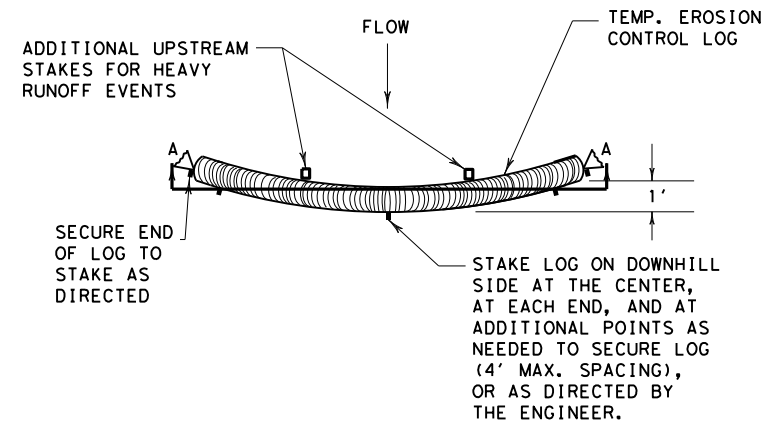
GENERAL NOTES (TYPE 3)

- The length of the type 3 construction exit shall be as shown on the plans, or as directed by the Engineer.
- The type 3 construction exit may be constructed from open graded crushed stone with a size of two to four inches spread a min. of 4" thick to the limits shown on the plans.
- The treated timber planks shall be #2 grade min., and should be free from large and loose knots.
- The guidelines shown hereon are suggestions only and may be modified by the Engineer.

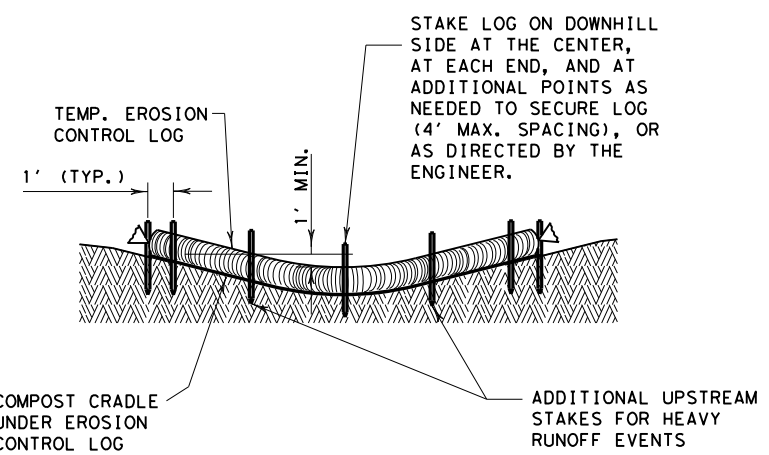
		Design Division Standard	
TEMPORARY EROSION, SEDIMENT AND WATER POLLUTION CONTROL MEASURES CONSTRUCTION EXITS EC(3)-16			
FILE: ec316	DN: TxDOT	CK: KM	DW: VP
© TxDOT: JULY 2016	CONT SECT	JOB	HIGHWAY
REVISIONS	6452 01	001	IH 37
DIST	COUNTY	SHEET NO.	
SAT	ATASCOSA	33	

DISCLAIMER: The use of this standard is governed by the "Texas Engineering Practice Act". No warranty of any kind is made by TxDOT for any purpose whatsoever. TxDOT assumes no responsibility for the conversion of this standard to other formats or for incorrect results or damages resulting from its use.

DATE: FILE:



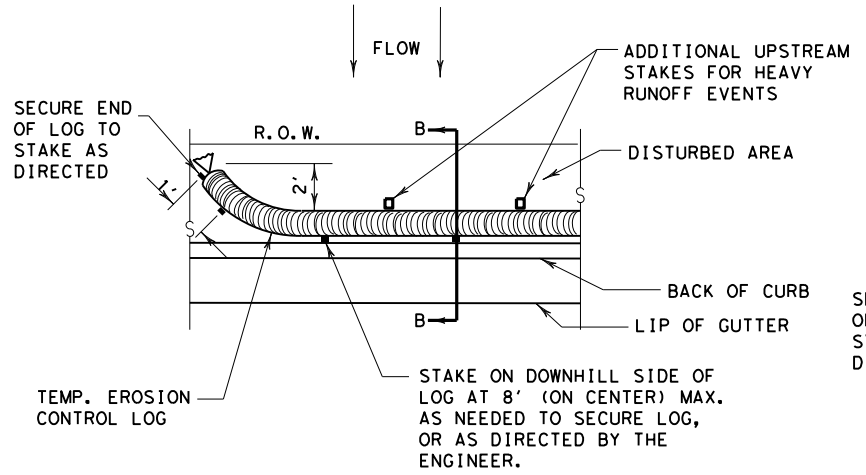
PLAN VIEW



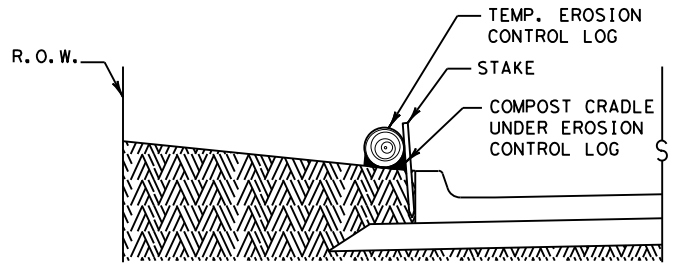
SECTION A-A

EROSION CONTROL LOG DAM

CL-D



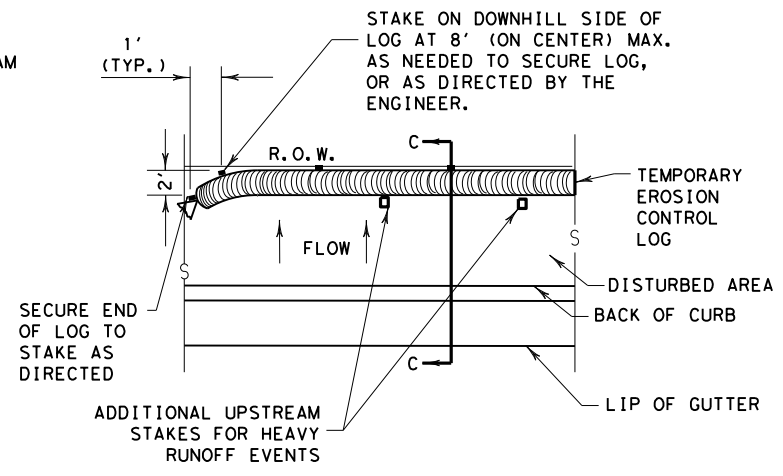
PLAN VIEW



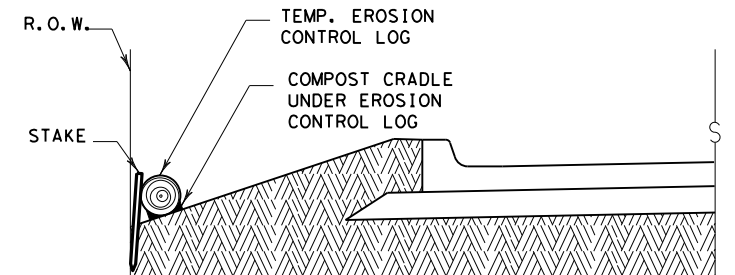
SECTION B-B

EROSION CONTROL LOG AT BACK OF CURB

CL-BOC



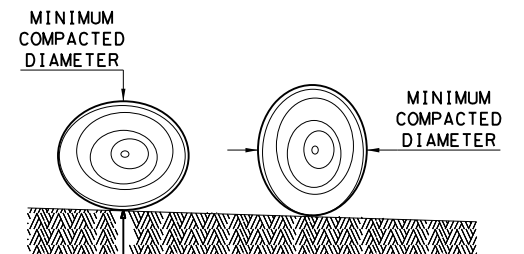
PLAN VIEW



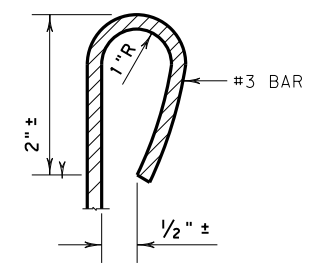
SECTION C-C

EROSION CONTROL LOG AT EDGE OF RIGHT-OF-WAY

CL-ROW



DIAMETER MEASUREMENTS OF EROSION CONTROL LOGS SPECIFIED IN PLANS



REBAR STAKE DETAIL

SEDIMENT BASIN & TRAP USAGE GUIDELINES

An erosion control log sediment trap may be used to filter sediment out of runoff draining from an unstabilized area.

Log Traps: The drainage area for a sediment trap should not exceed 5 acres. The trap capacity should be 1800 CF/Acre (0.5" over the drainage area).

Control logs should be placed in the following locations:

1. Within drainage ditches spaced as needed or min. 500' on center
2. Immediately preceding ditch inlets or drain inlets
3. Just before the drainage enters a water course
4. Just before the drainage leaves the right of way
5. Just before the drainage leaves the construction limits where drainage flows away from the project.

The logs should be cleaned when the sediment has accumulated to a depth of 1/2 the log diameter.

Cleaning and removal of accumulated sediment deposits is incidental and will not be paid for separately.

GENERAL NOTES:

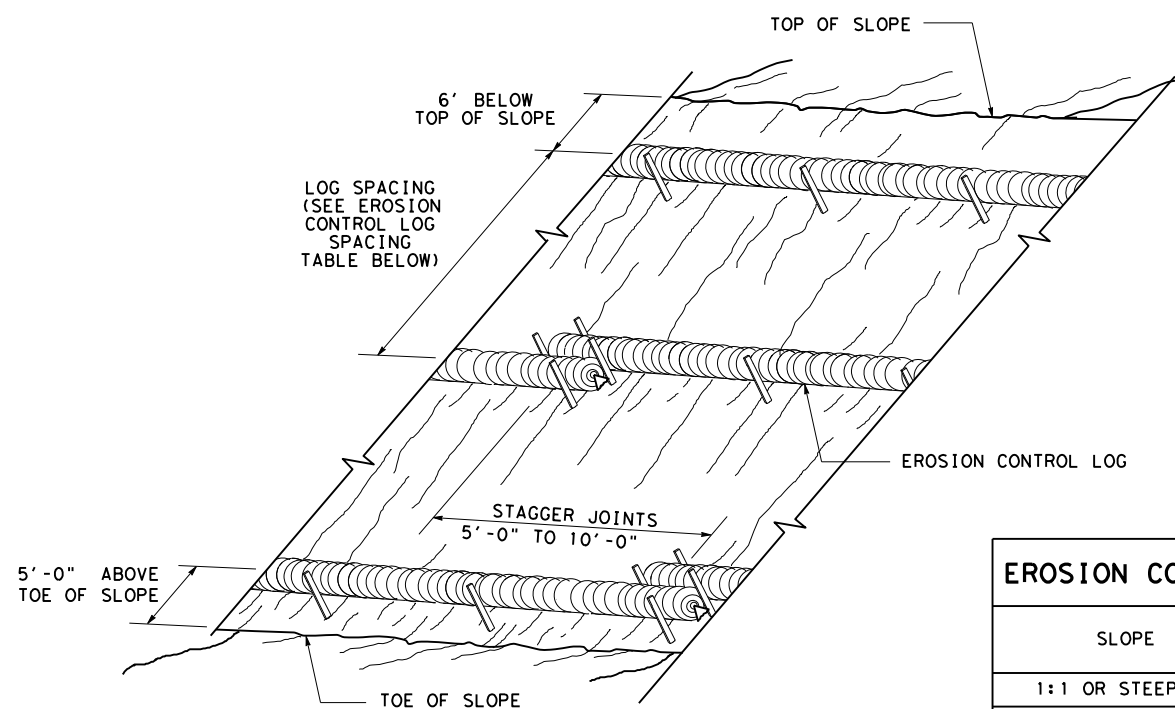
1. EROSION CONTROL LOGS SHALL BE INSTALLED IN ACCORDANCE WITH MANUFACTURER'S RECOMMENDATIONS, OR AS DIRECTED BY THE ENGINEER.
2. LENGTHS OF EROSION CONTROL LOGS SHALL BE IN ACCORDANCE WITH MANUFACTURER'S RECOMMENDATIONS AND AS REQUIRED FOR THE PURPOSE INTENDED.
3. UNLESS OTHERWISE DIRECTED, USE BIODEGRADABLE OR PHOTODEGRADABLE CONTAINMENT MESH ONLY WHERE LOG WILL REMAIN IN PLACE AS PART OF A VEGETATIVE SYSTEM. FOR TEMPORARY INSTALLATIONS, USE RECYCLABLE CONTAINMENT MESH.
4. FILL LOGS WITH SUFFICIENT FILTER MATERIAL TO ACHIEVE THE MINIMUM COMPACTED DIAMETER SPECIFIED IN THE PLANS WITHOUT EXCESSIVE DEFORMATION.
5. STAKES SHALL BE 2" X 2" WOOD OR #3 REBAR, 2'-4' LONG, EMBEDDED SUCH THAT 2" PROTRUDES ABOVE LOG, OR AS DIRECTED BY THE ENGINEER.
6. DO NOT PLACE STAKES THROUGH CONTAINMENT MESH.
7. COMPOST CRADLE MATERIAL IS INCIDENTAL & WILL NOT BE PAID FOR SEPARATELY.
8. SANDBAGS USED AS ANCHORS SHALL BE PLACED ON TOP OF LOGS & SHALL BE OF SUFFICIENT SIZE TO HOLD LOGS IN PLACE.
9. TURN THE ENDS OF EACH ROW OF LOGS UPSLOPE TO PREVENT RUNOFF FROM FLOWING AROUND THE LOG.
10. FOR HEAVY RUNOFF EVENTS, ADDITIONAL UPSTREAM STAKES MAY BE NECESSARY TO KEEP LOG FROM FOLDING IN ON ITSELF.

SHEET 1 OF 3

		<i>Design Division Standard</i>	
<p>TEMPORARY EROSION, SEDIMENT AND WATER POLLUTION CONTROL MEASURES</p> <p>EROSION CONTROL LOG</p> <p>EC (9) - 16</p>			
FILE: ec916	DN: TxDOT	CK: KM	DW: LS/PT
© TxDOT: JULY 2016	CONT: 6452	SECT: 01	JOB: 001
REVISIONS	SAT	COUNTY: ATASCOSA	SHEET NO.: 34

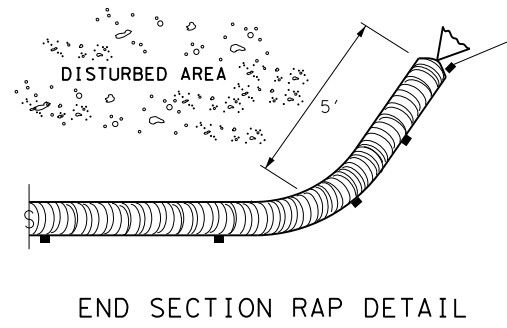
DISCLAIMER: The use of this standard is governed by the "Texas Engineering Practice Act". No warranty of any kind is made by TxDOT for any purpose whatsoever. TxDOT assumes no responsibility for the conversion of this standard to other formats or for incorrect results or damages resulting from its use.

DATE:
FILE:

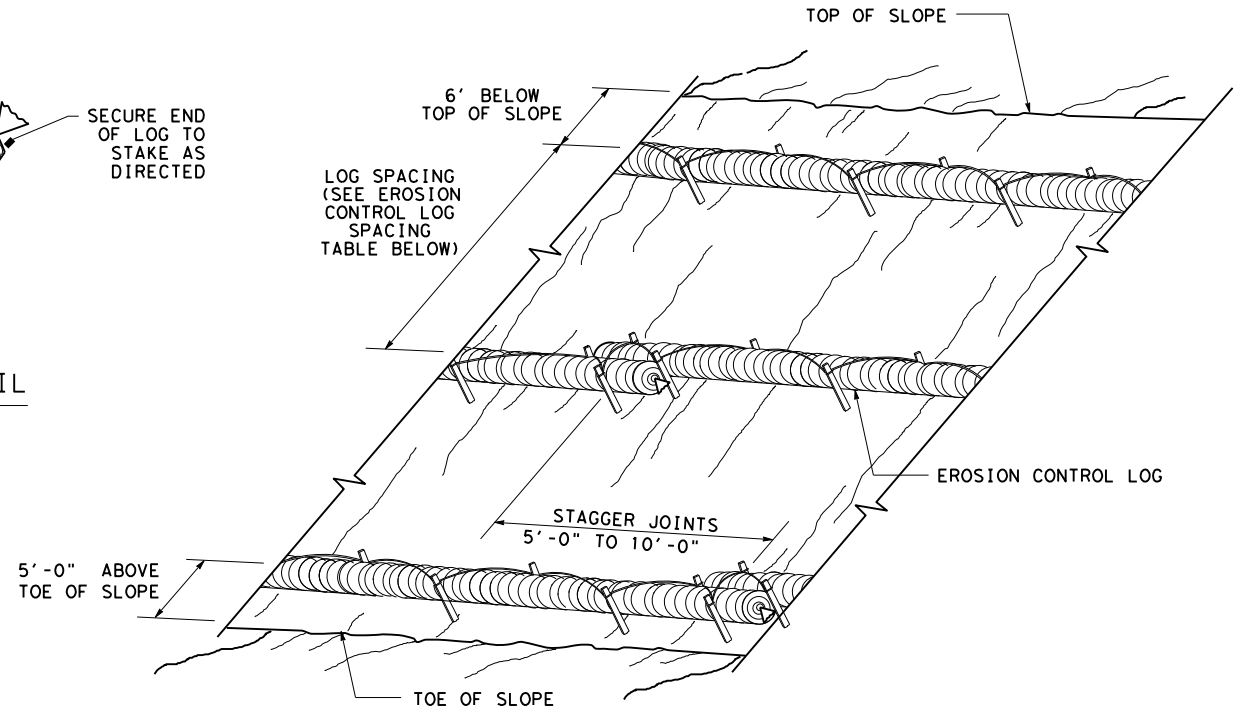


**EROSION CONTROL LOGS ON SLOPES
STAKE AND TRENCHING ANCHORING**

CL-SST



END SECTION RAP DETAIL

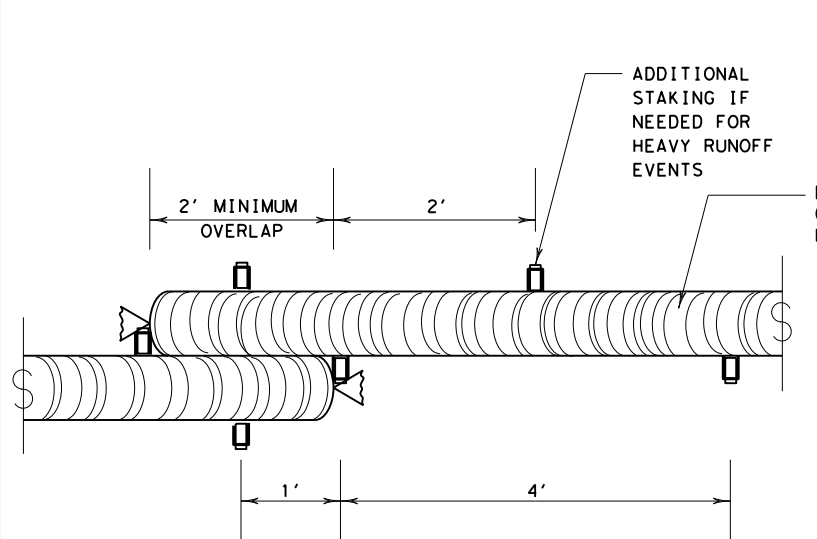


**EROSION CONTROL LOGS ON SLOPES
STAKE AND LASHING ANCHORING**

CL-SSL

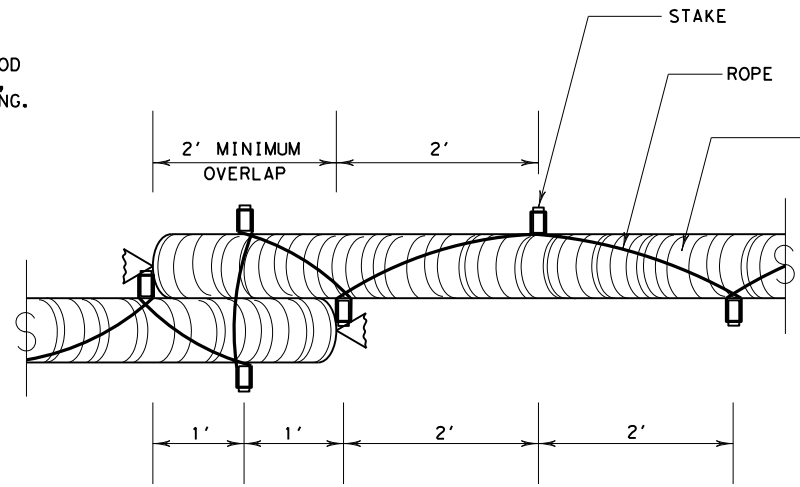
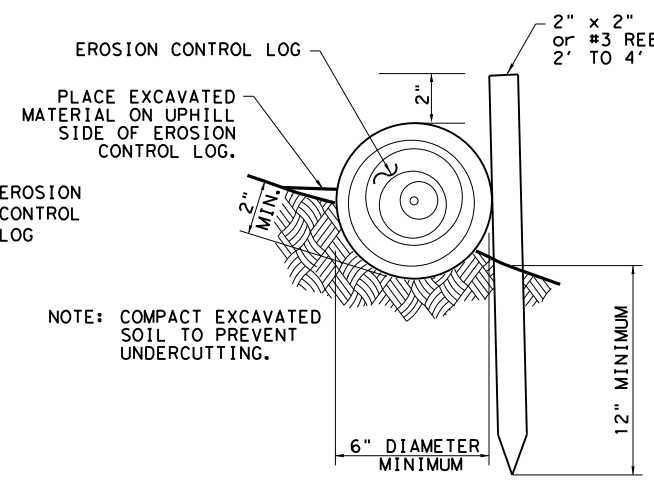
SLOPE	LOG DIAMETER			
	6"	8"	12"	18"
1:1 OR STEEPER	5'	10'	15'	20'
2:1	10'	20'	30'	40'
3:1	15'	30'	45'	60'
4:1 OR FLATTER	20'	40'	60'	80'

* ADJUSTMENTS CAN BE MADE FOR SOIL TYPE:
SOFT, LOAMY SOILS-ADJUST ROWS CLOSER TOGETHER;
HARD, ROCKY SOILS- ADJUST ROWS FARTHER APART



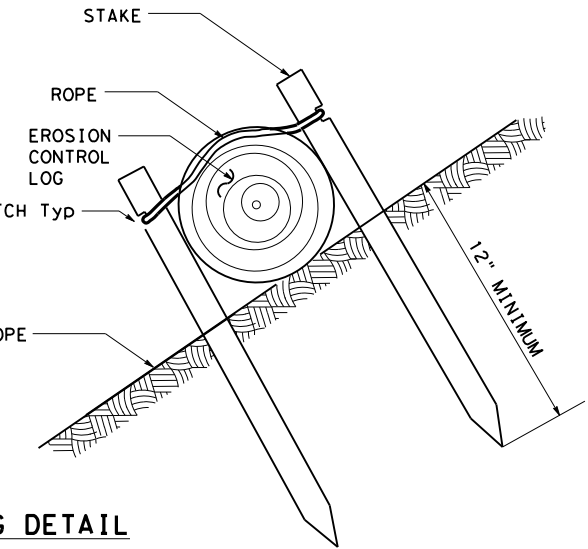
STAKE AND TRENCHING ANCHORING DETAIL

CL-SST

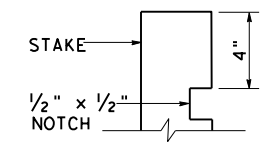


STAKE AND LASHING ANCHORING DETAIL

CL-SSL



TRENCH DEPTH TABLE	
LOG DIAMETER	DEPTH
6"	2"
8"	3"
12"	4"
18"	5"

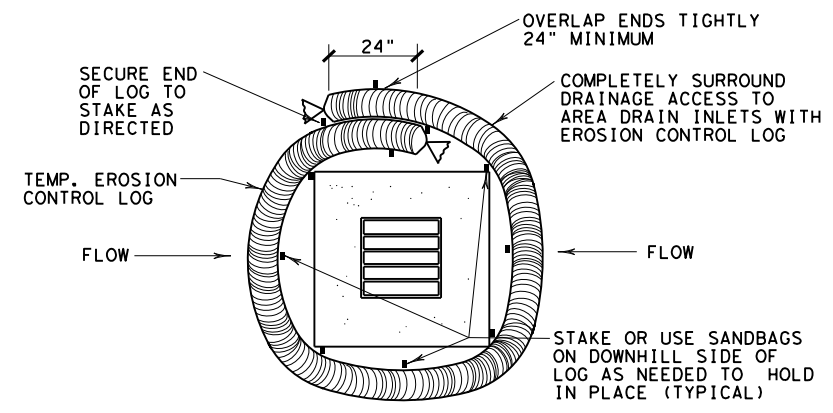


STAKE NOTCH DETAIL

SHEET 2 OF 3

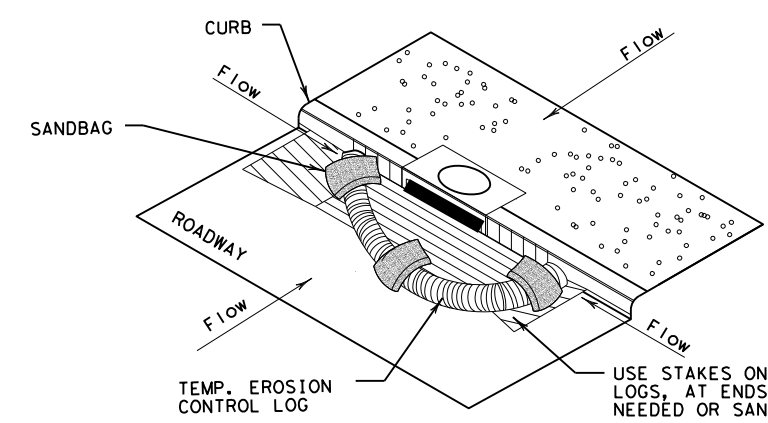
		Design Division Standard	
TEMPORARY EROSION, SEDIMENT AND WATER POLLUTION CONTROL MEASURES EROSION CONTROL LOG EC (9) - 16			
FILE: ec116	DN: TxDOT	CK: KM	DW: LS/PT
© TxDOT: JULY 2016	CONT SECT	JOB	HIGHWAY
REVISIONS	6452 01	001	IH 37
DIST	COUNTY	SHEET NO.	
SAT	ATASCOSA	35	

DISCLAIMER: This standard is governed by the "Texas Engineering Practice Act". No warranty of any kind is made by TxDOT for any purpose whatsoever. TxDOT assumes no responsibility for the conversion of this standard to other formats or for incorrect results or damages resulting from its use.



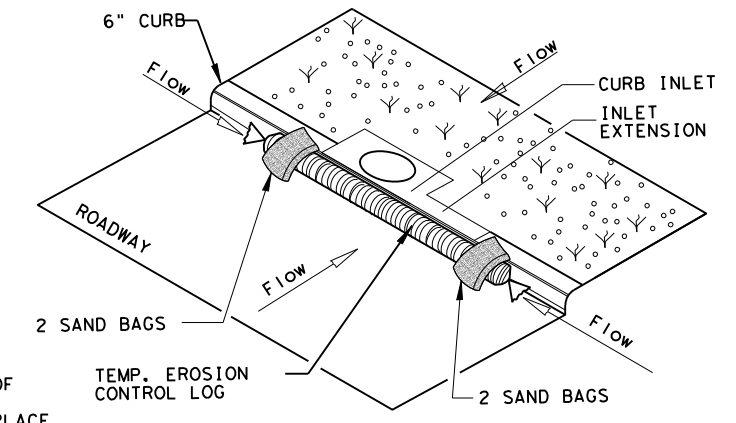
EROSION CONTROL LOG AT DROP INLET

CL-DI



EROSION CONTROL LOG AT CURB INLET

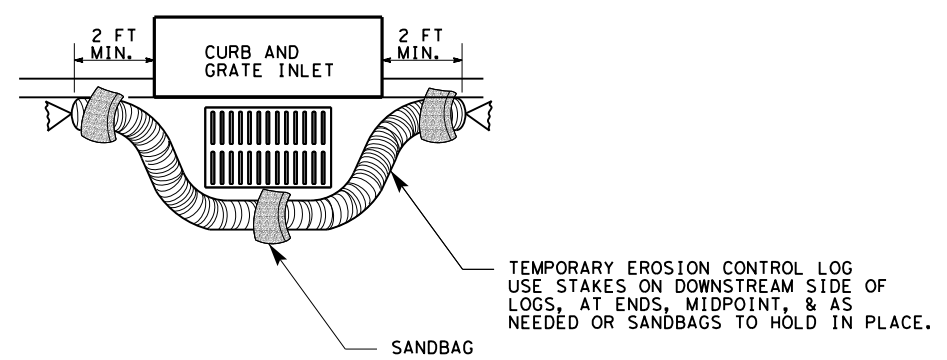
CL-CI



EROSION CONTROL LOG AT CURB INLET

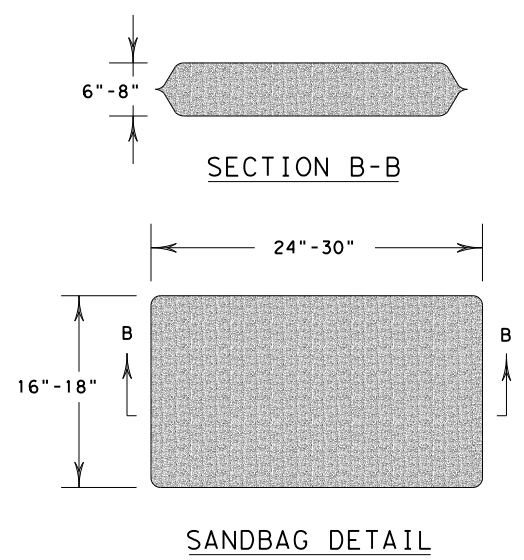
CL-CI

NOTE:
EROSION CONTROL LOGS USED AT CURB INLETS SHOULD ONLY BE USED IF THEY WILL NOT IMPEDE TRAFFIC OR FLOOD THE ROADWAY OR WHEN THE STORM SEWER SYSTEM IS NOT FULLY FUNCTIONAL.



EROSION CONTROL LOG AT CURB & GRADE INLET

CL-GI



SANDBAG DETAIL

SHEET 3 OF 3

		<i>Design Division Standard</i>	
TEMPORARY EROSION, SEDIMENT AND WATER POLLUTION CONTROL MEASURES EROSION CONTROL LOG EC (9) - 16			
FILE: ec916	DN: TxDOT	CK: KM	DW: LS/PT
© TxDOT: JULY 2016	CONT: 6452	SECT: 01	JOB: IH 37
REVISIONS	SAT	COUNTY: ATASCOSA	SHEET NO.: 36

DATE:
FILE: