

INDEX OF SHEETS

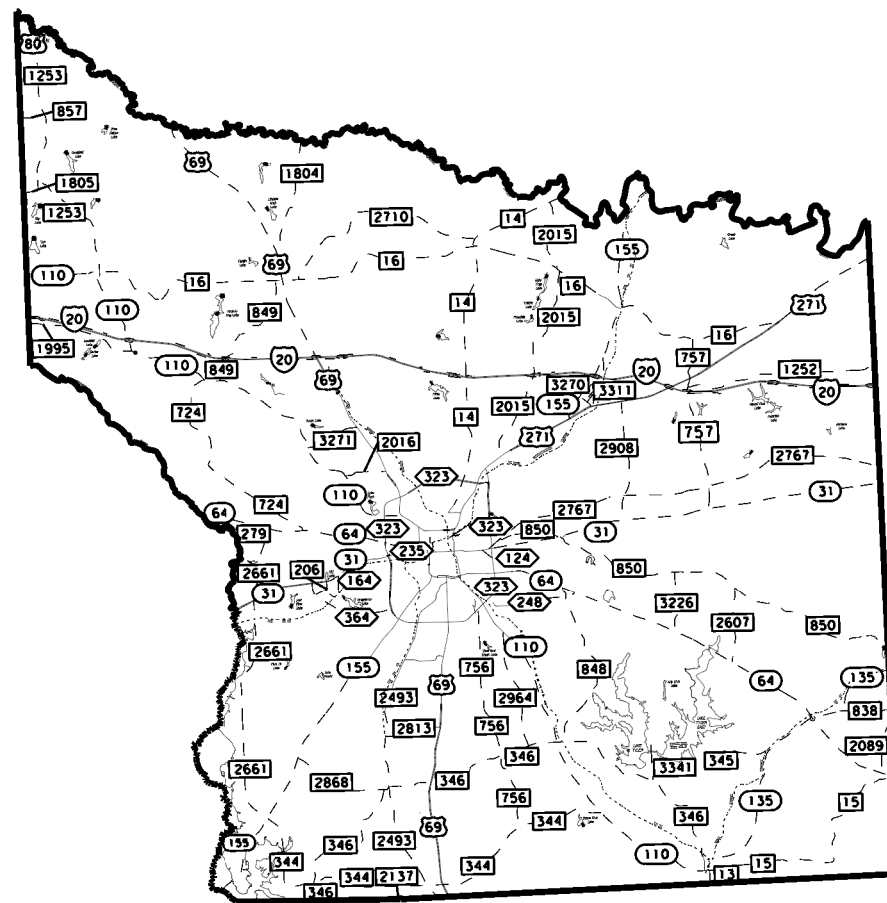
| <u>SHEET NO.</u> | <u>DESCRIPTION</u> |
|------------------|------------------------------|
| 1 | TITLE SHEET |
| 2 | SUPPLEMENTAL INDEX OF SHEETS |

STATE OF TEXAS
DEPARTMENT OF TRANSPORTATION

PLANS OF PROPOSED
STATE HIGHWAY IMPROVEMENT

US 69, ETC.
SMITH COUNTY

LIMITS: VARIOUS LOCATIONS IN SMITH COUNTY
CONSISTING OF TREE TRIMMING AND BRUSH REMOVAL.



REQUIRED SIGNS SHALL BE IN ACCORDANCE WITH BC (1)- 21 THRU BC (12)- 21 AND THE "TEXAS MANUAL ON UNIFORM TRAFFIC CONTROL DEVICES".

| | | | |
|-------------------------|--------|-----|-------------|
| FEDERAL AID PROJECT NO. | | | |
| RMC 6451-05-001 | | | |
| CONT | SECT | JOB | HIGHWAY |
| 6451 | 05 | 001 | US 69, ETC. |
| DIST | COUNTY | | SHEET NO. |
| TYL | SMITH | | 1 |

FINAL PLANS

LETTING DATE: _____
 DATE CONTRACTOR BEGAN WORK: _____
 DATE WORK WAS COMPLETED & ACCEPTED: _____
 FINAL CONTRACT COST: \$ _____
 CONTRACTOR: _____



EXCEPTIONS: NONE
 EQUATIONS: NONE
 RAILROAD CROSSINGS: NONE



SPECIFICATIONS ADOPTED BY THE TEXAS DEPARTMENT OF TRANSPORTATION,
 NOVEMBER 1, 2014 AND SPECIFICATION ITEMS LISTED, SHALL GOVERN ON THIS PROJECT.

Submitted for Letting: 7/26/2023
 Approved by: [Signature]
 MAINTENANCE ENGINEER

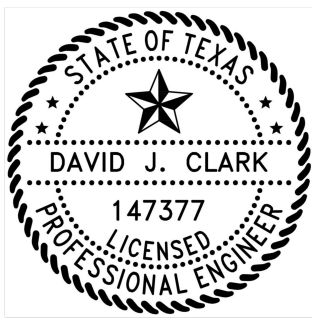
Submitted for Letting: 7/26/2023
 Approved by: [Signature]
 DIRECTOR OF MAINTENANCE

DATE: 7/20/2023 3:05:06 PM FILE: pw://ttdot.projectwiseonline.com:TXDOT3/Documents/10 - TYL/Maintenance Projects/645105001/1 - Pre-Letting/Design/001 - TITLE SHEET.dgn

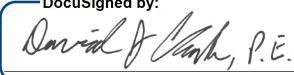
DW: CK: DW: CK: DW: CK:

| | |
|-------|--|
| | <u>GENERAL</u> |
| 1 | TITLE SHEET |
| 2 | SUPPLEMENTAL INDEX OF SHEETS |
| 3 | GENERAL NOTES |
| 4 | ESTIMATE & QUANTITY |
| 5 | QUANTITY SUMMARY |
| | |
| | <u>TRAFFIC CONTROL PLAN STANDARDS</u> |
| 6-17 | BC (1)-21 THRU BC (12)-21 |
| 18 | TCP (1-1)-18 |
| 19 | TCP (1-2)-18 |
| 20 | TCP (1-3)-18 |
| 21 | TRB-15 (1) |
| 22 | TRB-15 (2) |
| 23 | WZ (RS)-22 |
| 24-25 | MAINTENANCE WORK ZONE SPEED LIMIT SIGNS |
| | |
| | <u>ENVIRONMENTAL SHEETS</u> |
| 26 | EPIC |

DS



THE STANDARD SHEETS SPECIFICALLY IDENTIFIED ABOVE HAVE BEEN ISSUED BY ME AND ARE APPLICABLE TO THIS PROJECT.

DocuSigned by:
 , P.E. 7/28/2023
 156209C8BF9E41C
 DAVID J. CLARK DATE



SUPPLEMENTAL INDEX OF SHEETS

| | | | |
|---------|--------|--------------|-------------|
| © TxDOT | | SHEET 1 OF 1 | |
| CONT | SECT | JOB | HIGHWAY |
| 6451 | 05 | 001 | US 69, ETC. |
| DIST | COUNTY | SHEET NO. | |
| 10 | SMITH | 2 | |

County: SMITH

Control: 6451-05-001

Highway: US 69, ETC.

GENERAL NOTES:

GENERAL.

Contractor questions on this project are to be addressed to the following individuals:

Paul Schneider, P.E.
Travis Singleton, P.E.

Paul.Schneider@txdot.gov
Travis.Singleton@txdot.gov

For Q&A on Proposals navigate to:

<https://tableau.txdot.gov/views/ProjectInformationDashboard/NoticetoContractors>

Use the dashboard to navigate to the project you are interested in by scrolling or filtering the dashboard using the controls on the left. Hover over the blue hyperlink for the project and click on the link in the window that pops up to view the Q&A.

All relevant project documentation including CTDs and cross sections will still be posted to the districts FTP website.

<https://ftp.dot.state.tx.us/pub/txdot-info/Pre-Letting%20Responses/>

All work on this contract will be scheduled and directed by the following TxDOT Representatives:

| | | |
|---------------|------------------------|--------------|
| Mark Fletcher | Maintenance Supervisor | 903-561-2198 |
| Rebecca Petty | Contract Inspector | 903-574-0501 |

Payment will be made on a monthly basis for work completed and accepted according to specifications.

ITEM 5. CONTROL OF THE WORK

Designate in writing a competent, English-speaking Superintendent employed by the Contractor. This Superintendent must be available at all times to receive instructions from the authorized Department representatives and to act for the Contractor.

Upon completion of the work at each location, clear and remove from the site all surplus and discarded materials and leave the entire project in a neat and sightly condition.

County: SMITH

Control: 6451-05-001

Highway: US 69, ETC.

ITEM 7. LEGAL RELATIONS AND RESPONSIBILITIES

Roadway closures during the following key dates and/or special events are prohibited:

- Lane closures will not be permitted before 8:00 A.M. or after 4:00 P.M. unless otherwise directed.
- Unless otherwise approved, lane closures for minor or major construction operations will not be allowed on Good Friday, Easter weekend, Memorial Day, Memorial Day weekend, July 4th, Labor Day, Labor Day weekend, Thanksgiving Day thru Sunday, Christmas Eve, Christmas Day, New Year’s Eve, New Year’s Day, or on any other high traffic days or holidays as determined.

ITEM 8. PROSECUTION AND PROGRESS

Working days will be computed and charged in accordance with Article 8.3.A.4, “Standard Workweek.” One hundred and forty five (145) working days have been allocated for this project. Time charges are based on a production rate of completing 1 mile of tree trimming and brush removal per working day.

Ensure sufficient workers, equipment and materials are available at all work sites to continuously and diligently prosecute the work to conclusion, as well as meeting the production rates stated above. Insufficient resources resulting in poor performance may be grounds for default.

Verbally notify the TxDOT Representative 24 hours in advance of beginning work. Verbally notify the TxDOT Representative by 8:15 A.M. on any day which work is originally planned and the contractor will not be working.

Each contract awarded by the Department stands on its own and as such, is separate from other contracts. A contractor awarded multiple contracts, must be capable and sufficiently staffed to concurrently process any or all contracts at the same time.

The Engineer may require the Contractor to use multiple separate crews if the workload warrants their use. A crew is defined as a minimum of four laborers.

Liquidated damages will be charged according to Special Provision 000-1243 for each day the work is not complete after the expiration of all calendar days.

Work activities shall be performed between sunrise and sunset. The Contractor shall be responsible for making all arrangements for equipment and storage areas.

No storage of equipment and materials will be permitted at Maintenance Section yards or District Office.

County: SMITH

Control: 6451-05-001

Highway: US 69, ETC.

ITEM 502. BARRICADES, SIGNS, AND TRAFFIC HANDLING

The traffic control plan for this Contract consists of: the installation and maintenance of warning signs and other traffic control devices shown on the plans; specification data, which may be included in the general notes; applicable provisions of the Texas Manual on Uniform Traffic Control Devices (TMUTCD); traffic control plan sheets included on the plans; standard BC sheets; Compliant Work Zone Traffic Control Device List, and Item 502 of the standard specifications.

Inspect and correct deficiencies each day throughout the duration of the Contract. In accordance with Article 502.4., "Payment," no payment will be made for the month if the Contractor fails to provide or properly maintain signs and devices in compliance with Contract requirements. Temporary warning signs that are visible when conditions do not apply will be considered improper maintenance of signs.

Provide at least one employee on call nights and weekends (or any other time that work is not in progress) for maintenance of signs and traffic control devices. This employee must have an address and telephone number near the project, as approved. Notify the Engineer in writing of the name, address, and telephone number of this employee. The Engineer will furnish this information to local law enforcement officials.

In addition to providing a Contractor's Responsible Person and a phone number for emergency contact, have an employee available to respond on the project for emergencies and for taking corrective measures within 30 minutes.

Sign all roads intersecting the project in accordance with current BC standards.

Refer to the traffic control plan sheets for traffic handling through the work area. Contractor may vary the signing arrangement and spacing as necessary to fit field conditions; however, any proposed changes in the traffic control plan must be approved before implementation.

High-visibility safety apparel is required for workers in accordance with the General Notes on current BC standards.

Place and maintain signs, channelizing devices, and flaggers to direct and route traffic at any location and for any period of time as may be required or directed.

When operations require a lane closure, provide cones, vertical panels, drums, signs, flaggers, and flashing arrow panels as necessary to route traffic around the closed lane as shown on the plans and as directed. Lane closures will be limited to one specific lane as directed.

County: SMITH

Control: 6451-05-001

Highway: US 69, ETC.

Maintain existing roadside signs within this project's limits during this Contract. In order to accommodate the grading or other operations, temporarily relocate these signs in accordance with the TMUTCD as directed. Use ground-mounted sign mounts with two posts for all relocated signs unless otherwise directed. This work will not be paid for directly, but will be subsidiary to Item 502.

Provide truck-mounted attenuators (TMA) as shown on the appropriate traffic control plan sheets. Provide a letter certifying that all TMA used on this project meet NCHRP 350 or AASHTO Manual for Assessing Safety Hardware (MASH) requirements.

Regulate all construction activities and equipment to minimize inconvenience to the traveling public. At points where it is necessary for trucks to stop, load, or unload, provide warning signs and flaggers to protect the traveling public.

The pavement must be entirely open to traffic each night. Remove or clearly barricade all material stockpiles, equipment left overnight, or any obstruction within 30 ft. of a travelway as approved.

All work required by these general notes, except as provided for by Item 502, will not be paid for directly, but will be subsidiary to Item 502 unless otherwise shown on the plans.

ITEM 752. TREE TRIMMING/TREE TRIMMING AND BRUSH REMOVAL

Trim trees and brush from right of way line wide by 20' high, measured from the pavement surface, unless otherwise specified on the quantity summary page in the plans.

Trim sides and tops of trees along highway right of way.

Use chippers, mulchers or equivalent equipment with chipper teeth or carbide teeth to dispose of tree limbs and brush removal. All chips shall be no larger than 3" x 3" x 1/4" in size. The method of chipping and/or brush removal shall not damage or destroy the existing vegetation on the ROW causing erosion. Obtain the Engineer's approval prior to use.

Perform smooth saw cuts to cause the least amount of damage to the trees. Use of boom axes are not permitted on this project. Spread and/or remove excess wood chips within 24 hr. in accordance with state, federal and local environmental and waste disposal laws and regulations, as directed by the Engineer. Chips shall not be left in an area that could cause a blockage in the flow line of the ditch and/or culverts. Leave the area with a clean, neat appearance.

Cut limbs and brush at the state right of way or as directed by the TxDOT Engineer, if the tree is not on state property.

Project Number: RMC 6451-05-001

Sheet 3

County: SMITH

Control: 6451-05-001

Highway: US 69, ETC.

Only power shearing equipment designed for this type of operation is acceptable. Repair deep rutting of turf caused by equipment at contractor's expense. Bucket trucks may be needed at bridges and various other locations.

ITEM 6185. TRUCK MOUNTED ATTENUATOR (TMA)

Shadow vehicles with truck mounted attenuator (TMA) are required on the traffic control plan and TCP standards for this project. The Contractor will be responsible for determining if one or more of these traffic control operations will be ongoing at the same time to determine the total number of TMAs needed for the project. Additional truck mounted attenuators (TMAs) may be required as deemed necessary by the Engineer.



Estimate & Quantity Sheet

CONTROLLING PROJECT ID 6451-05-001

DISTRICT Tyler
HIGHWAY US0069

COUNTY Smith

| CONTROL SECTION JOB | | | | 6451-05-001 | | TOTAL EST. | TOTAL FINAL |
|---------------------|-----------|-------------------------------|------|-------------|-------|------------|-------------|
| PROJECT ID | | | | A00201471 | | | |
| COUNTY | | | | Smith | | | |
| HIGHWAY | | | | US0069 | | | |
| ALT | BID CODE | DESCRIPTION | UNIT | EST. | FINAL | | |
| | 500-6001 | MOBILIZATION | LS | 1.000 | | 1.000 | |
| | 752-6003 | TREE TRIMMING / BRUSH REMOVAL | MI | 144.440 | | 144.440 | |
| | 6185-6002 | TMA (STATIONARY) | DAY | 10.000 | | 10.000 | |

DATE: 7/24/2023 1:54:35 PM
 FILE: \\txdot-projectwiseonline.com\TXDOT3\Documents\10 - T\LMaintenance Projects\645105001\1 - Pre-Letting\Design\005 QUANTITY SUMMARIES.dgn

DN: DW: CK: CK:

| BASIS OF ESTIMATE | | | | | |
|-------------------|------------------|-------|-------|----------|------|
| ITEM | DESCRIPTION | RATES | UNITS | QUANTITY | UNIT |
| 500-6001 | MOBILIZATION | | | 1 | LS |
| 6185-6002 | TMA (STATIONARY) | | | 10 | DAY |

| TREE TRIMMING SUMMARY | | | | | |
|-----------------------|----------|---|-----------|-----------|---------------|
| COUNTY | ROADWAY | DESCRIPTION OF LIMITS BID ITEM 752-6003 TREE TRIMMING AND BRUSH REMOVAL ROW x 20' | TRM's | | LENGTH MI |
| SMITH | FM 14 | WOOD COUNTY LINE TO US 271 | 280+1.197 | 298+0.578 | 16.50 |
| SMITH | FM 16 | SH 110 TO US 271 | 658-0.037 | 690+0.879 | 32.12 |
| SMITH | FM 850 | FM 2767 TO RUSK COUNTY LINE | 676+0.291 | 694+0.336 | 18.08 |
| SMITH | FM 857 | VAN ZANDT COUNTY LINE TO FM 1253 | 660+0.000 | 660+1.055 | 1.01 |
| SMITH | FM 1253 | US 80 TO SH 110 | 270+0.000 | 280+1.853 | 11.86 |
| SMITH | FM 1805 | VAN ZANDT COUNTY LINE TO FM 1253 | 658+0.080 | 658+1.828 | 1.75 |
| SMITH | FM 2089 | RUSK COUNTY LINE TO SH 64 | 298+0.561 | 302+0.271 | 2.26 |
| SMITH | FM 2607 | FM 850 TO SH 64 | 292-0.031 | 294+1.201 | 3.20 |
| SMITH | FM 2908 | US 271 TO SH 31 | 284-0.058 | 288+1.107 | 5.09 |
| SMITH | SH 110 N | VAN ZANDT COUNTY LINE TO SL 323 E | 284+0.371 | 306+0.398 | 20.23 |
| SMITH | SH 155 N | UPSHUR COUNTY LINE TO US 271 | 302+1.143 | 314+0.502 | 10.60 |
| SMITH | SH 155 S | WESTWAY ST. TO SH 57 | 326+1.598 | 328+0.954 | 1.36 |
| SMITH | US 69 N | PEARL ST. TO CR 474 | 318+1.665 | 320+0.783 | 1.01 |
| SMITH | US 271 | GREGG COUNTY LINE TO SL 323 N | 304+0.247 | 324+1.333 | 19.37 |
| TOTAL | | | | | 144.44 |

BUCKET TRUCK MAY BE REQUIRED AT BRIDGES AND VARIOUS OTHER LOCATIONS
 EXPECT POSSIBLE LANE CLOSURES



QUANTITY SUMMARY

© TXDOT SHEET 1 OF 1

| CONT | SECT | JOB | HIGHWAY |
|------|--------|-----------|-------------|
| 6451 | 05 | 001 | US 69, ETC. |
| DIST | COUNTY | SHEET NO. | |
| 10 | SMITH | 5 | |

DATE: 7/18/2023 3:59:42 PM
 FILE: D:\txdot\projectwiseonline.com\TXDOT13\Documents\10 - TYL\Maintenance Projects\764510500171 - Pre-Letting\Design\006-011-BC-21.dgn
 DISCLAIMER: The use of this standard is governed by the "Texas Engineering Practice Act". No warranty of any kind is made by TxDOT for any purpose whatsoever. TxDOT assumes no responsibility for the conversion of this information into any other format or for any errors or omissions resulting from its use.

BARRICADE AND CONSTRUCTION (BC) STANDARD SHEETS GENERAL NOTES:

1. The Barricade and Construction Standard Sheets (BC sheets) are intended to show typical examples for placement of temporary traffic control devices, construction pavement markings, and typical work zone signs. The information contained in these sheets meet or exceed the requirements shown in the "Texas Manual on Uniform Traffic Control Devices" (TMUTCD).
2. The development and design of the Traffic Control Plan (TCP) is the responsibility of the Engineer.
3. The Contractor may propose changes to the TCP that are signed and sealed by a licensed professional engineer for approval. The Engineer may develop, sign and seal Contractor proposed changes.
4. The Contractor is responsible for installing and maintaining the traffic control devices as shown in the plans. The Contractor may not move or change the approximate location of any device without the approval of the Engineer.
5. Geometric design of lane shifts and detours should, when possible, meet the applicable design criteria contained in manuals such as the American Association of State Highway and Transportation Officials (AASHTO), "A Policy on Geometric Design of Highways and Streets," the TxDOT "Roadway Design Manual" or engineering judgment.
6. When projects abut, the Engineer(s) may omit the END ROAD WORK, TRAFFIC FINES DOUBLE, and other advance warning signs if the signing would be redundant and the work areas appear continuous to the motorists. If the adjacent project is completed first, the Contractor shall erect the necessary warning signs as shown on these sheets, the TCP sheets or as directed by the Engineer. The BEGIN ROAD WORK NEXT X MILES sign shall be revised to show appropriate work zone distance.
7. The Engineer may require duplicate warning signs on the median side of divided highways where median width will permit and traffic volumes justify the signing.
8. All signs shall be constructed in accordance with the details found in the "Standard Highway Sign Designs for Texas," latest edition. Sign details not shown in this manual shall be shown in the plans or the Engineer shall provide a detail to the Contractor before the sign is manufactured.
9. The temporary traffic control devices shown in the illustrations of the BC sheets are examples. As necessary, the Engineer will determine the most appropriate traffic control devices to be used.
10. Where highway construction or maintenance work is being undertaken, other than mobile operations as defined by the Texas Manual on Uniform Traffic Control Devices, CSJ limit signs are required. CSJ limit signs are shown on BC(2). The OBEY WARNING SIGNS STATE LAW sign, STAY ALERT TALK OR TEXT LATER and the WORK ZONE TRAFFIC FINES DOUBLE sign with plaque shall be erected in advance of the CSJ limits. The BEGIN ROAD WORK NEXT X MILES, CONTRACTOR and END ROAD WORK signs shall be erected at or near the CSJ limits. For mobile operations, CSJ limit signs are not required.
11. Traffic control devices should be in place only while work is actually in progress or a definite need exists.
12. The Engineer has the final decision on the location of all traffic control devices.
13. Inactive equipment and work vehicles, including workers' private vehicles must be parked away from travel lanes. They should be as close to the right-of-way line as possible, or located behind a barrier or guardrail, or as approved by the Engineer.

WORKER SAFETY NOTES:

1. Workers on foot who are exposed to traffic or to construction equipment within the right-of-way shall wear high-visibility safety apparel meeting the requirements of ISEA "American National Standard for High-Visibility Apparel," or equivalent revisions, and labeled as ANSI 107-2004 standard performance for Class 2 or 3 risk exposure. Class 3 garments should be considered for high traffic volume work areas or night time work.
2. Except in emergency situations, flagger stations shall be illuminated when flagging is used at night.

COMPLIANT WORKZONE TRAFFIC CONTROL DEVICES

1. Only pre-qualified products shall be used. The "Compliant Work Zone Traffic Control Devices List" (CWZTCD) describes pre-qualified products and their sources.
2. Work zone traffic control devices shall be compliant with the Manual for Assessing safety Hardware (MASH).

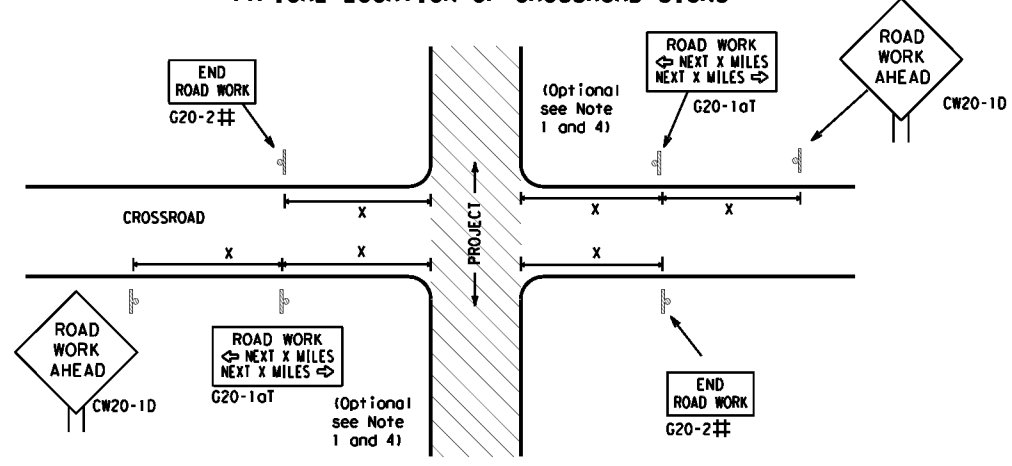
| |
|--|
| <p>THE DOCUMENTS BELOW CAN BE FOUND ON-LINE AT http://www.txdot.gov</p> |
| COMPLIANT WORK ZONE TRAFFIC CONTROL DEVICES LIST (CWZTCD) |
| DEPARTMENTAL MATERIAL SPECIFICATIONS (DMS) |
| MATERIAL PRODUCER LIST (MPL) |
| ROADWAY DESIGN MANUAL - SEE "MANUALS (ONLINE MANUALS)" |
| STANDARD HIGHWAY SIGN DESIGNS FOR TEXAS (SHSD) |
| TEXAS MANUAL ON UNIFORM TRAFFIC CONTROL DEVICES (TMUTCD) |
| TRAFFIC ENGINEERING STANDARD SHEETS |

SHEET 1 OF 12

| | | |
|---|--|---|
| Texas Department of Transportation | | <i>Texas</i> Safety <i>Division</i> Standard |
| <p>BARRICADE AND CONSTRUCTION GENERAL NOTES AND REQUIREMENTS</p> <p>BC (1) - 21</p> | | |
| FILE: bc-21.dgn © TxDOT November 2002 | DNR TxDOT CONT SECT 6451 05 | CR: TxDOT JOB 001 DIST COUNTY SHEET NO. TYL SMITH 6 |

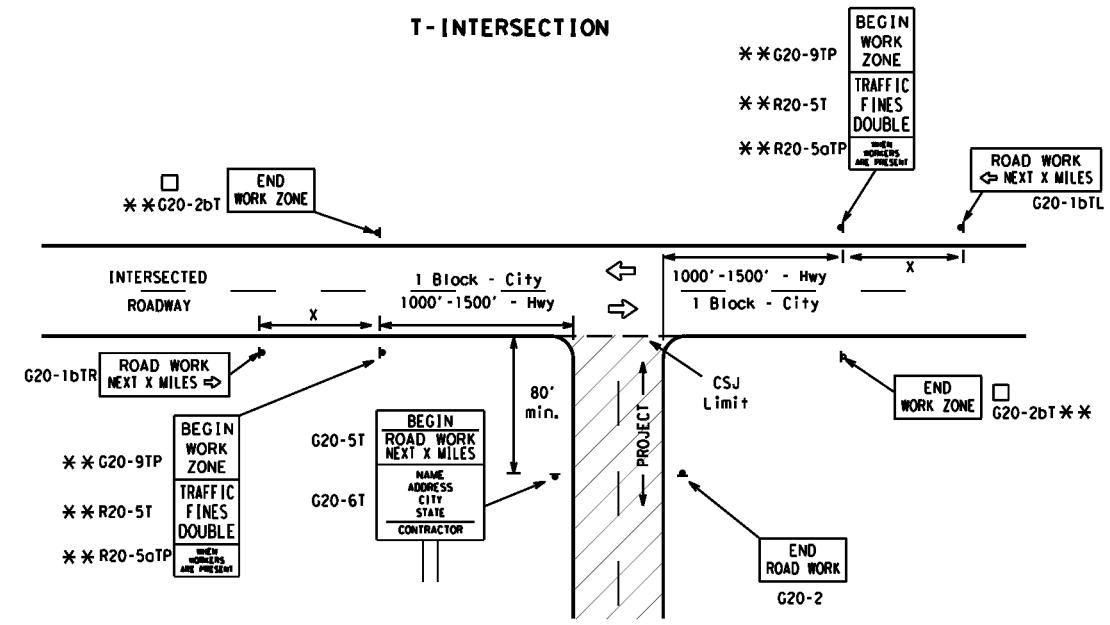
DISCLAIMER: The use of this standard is governed by the "Texas Engineering Practice Act". No warranty of any kind is made by TxDOT for any purpose whatsoever. TxDOT assumes no responsibility for the conversion of units or the accuracy of the information resulting from its use.

TYPICAL LOCATION OF CROSSROAD SIGNS



- ## May be mounted on back of "ROAD WORK AHEAD" (CW20-1D) sign with approval of Engineer. (See note 2 below)
- The typical minimum signing on a crossroad approach should be a "ROAD WORK AHEAD" (CW20-1D) sign and a (G20-2) "END ROAD WORK" sign, unless noted otherwise in plans.
 - The Engineer may use the reduced size 36" x 36" ROAD WORK AHEAD (CW20-1D) sign mounted back to back with the reduced size 36" x 18" "END ROAD WORK" (G20-2) sign on low volume crossroads (see Note 4 under "Typical Construction Warning Sign Size and Spacing"). See the "Standard Highway Sign Designs for Texas" manual for sign details. The Engineer may omit the advance warning signs on low volume crossroads. The Engineer will determine whether a road is low volume as per TMUTCD Part 5. This information shall be shown in the plans.
 - Based on existing field conditions, the Engineer/Inspector may require additional signs such as FLAGGER AHEAD, LOOSE GRAVEL, or other appropriate signs. When additional signs are required, these signs will be considered part of the minimum requirements. The Engineer/Inspector will determine the proper location and spacing of any sign not shown on the BC sheets, Traffic Control Plan sheets or the Work Zone Standard Sheets.
 - The "ROAD WORK NEXT X MILES" (G20-1aT) sign shall be required at high volume crossroads to advise motorists of the length of construction in either direction from the intersection. The Engineer will determine whether a roadway is considered high volume.
 - Additional traffic control devices may be shown elsewhere in the plans for higher volume crossroads.
 - When work occurs in the intersection area, appropriate traffic control devices, as shown elsewhere in the plans or as determined by the Engineer/Inspector, shall be in place.

T-INTERSECTION



CSJ LIMITS AT T-INTERSECTION

- The Engineer will determine the types and location of any additional traffic control devices, such as a flagger and accompanying signs, or other signs, that should be used when work is being performed at or near an intersection.
- If construction closes the road at a T-intersection, the Contractor shall place the "CONTRACTOR NAME" (G20-6T) sign behind the Type 3 Barricades for the road closure (see BC(10) also). The "ROAD WORK NEXT X MILES" left arrow (G20-1bTL) and "ROAD WORK NEXT X MILES" right arrow (G20-1bTR) signs shall be replaced by the detour signing called for in the plans.

TYPICAL CONSTRUCTION WARNING SIGN SIZE AND SPACING^{1,5,6}

| Sign Number or Series | SIZE | | SPACING | |
|---------------------------------------|-------------------|--------------------|------------------|----------------------------------|
| | Conventional Road | Expressway/Freeway | Posted Speed MPH | Sign Δ Spacing "x" Feet (Apprx.) |
| CW20 ⁴ | 48" x 48" | 48" x 48" | 30 | 120 |
| CW21 | | | 35 | 160 |
| CW22 | | | 40 | 240 |
| CW23 | | | 45 | 320 |
| CW25 | 36" x 36" | 48" x 48" | 50 | 400 |
| CW1, CW2, CW7, CW8, CW9, CW11, CW14 | | | 60 | 600 ² |
| CW3, CW4, CW5, CW6, CW8-3, CW10, CW12 | | | 65 | 700 ² |
| | | | 70 | 800 ² |
| | | | 75 | 900 ² |
| | 80 | 1000 ² | | |
| | * | * | * | * ³ |

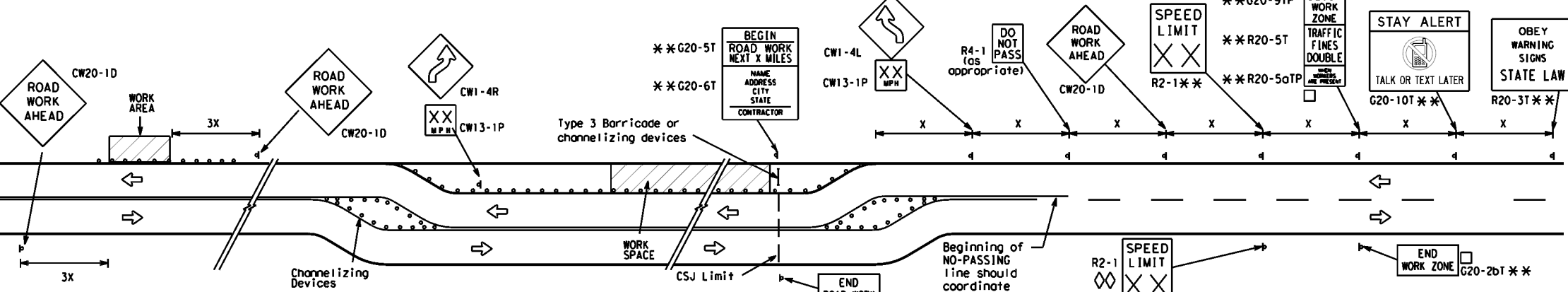
* For typical sign spacings on divided highways, expressways and freeways, see Part 6 of the "Texas Manual on Uniform Traffic Control Devices" (TMUTCD) typical application diagrams or TCP Standard Sheets.

Δ Minimum distance from work area to first Advance Warning sign nearest the work area and/or distance between each additional sign.

GENERAL NOTES

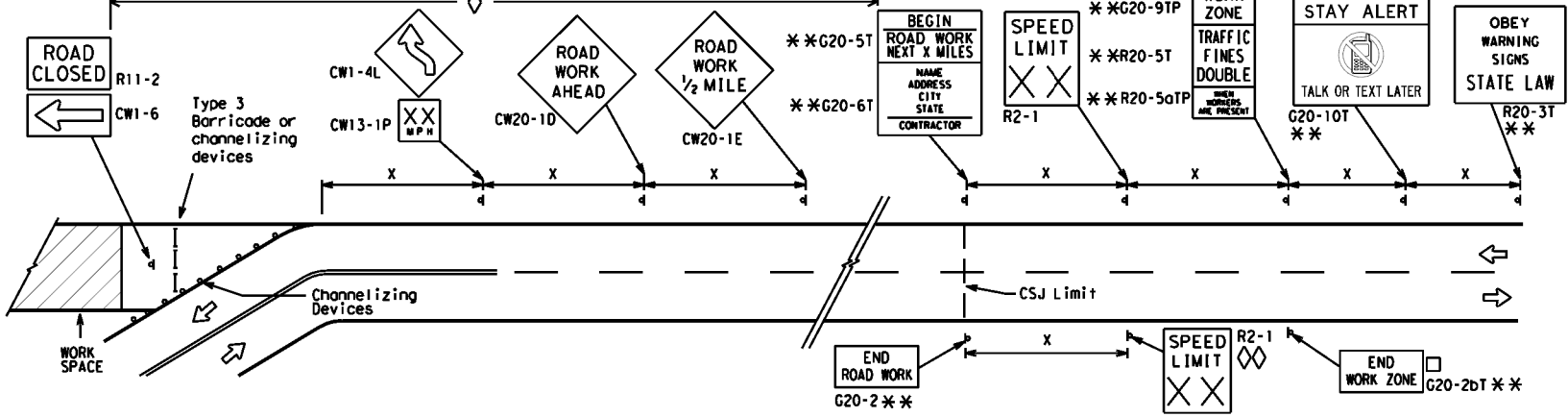
- Special or larger size signs may be used as necessary.
- Distance between signs should be increased as required to have 1500 feet advance warning.
- Distance between signs should be increased as required to have 1/2 mile or more advance warning.
- 36" x 36" "ROAD WORK AHEAD" (CW20-1D) signs may be used on low volume crossroads at the discretion of the Engineer as per TMUTCD Part 5. See Note 2 under "Typical Location of Crossroad Signs".
- Only diamond shaped warning sign sizes are indicated.
- See sign size listing in "TMUTCD", Sign Appendix or the "Standard Highway Sign Designs for Texas" manual for complete list of available sign design sizes.

WORK AREAS IN MULTIPLE LOCATIONS WITHIN CSJ LIMITS

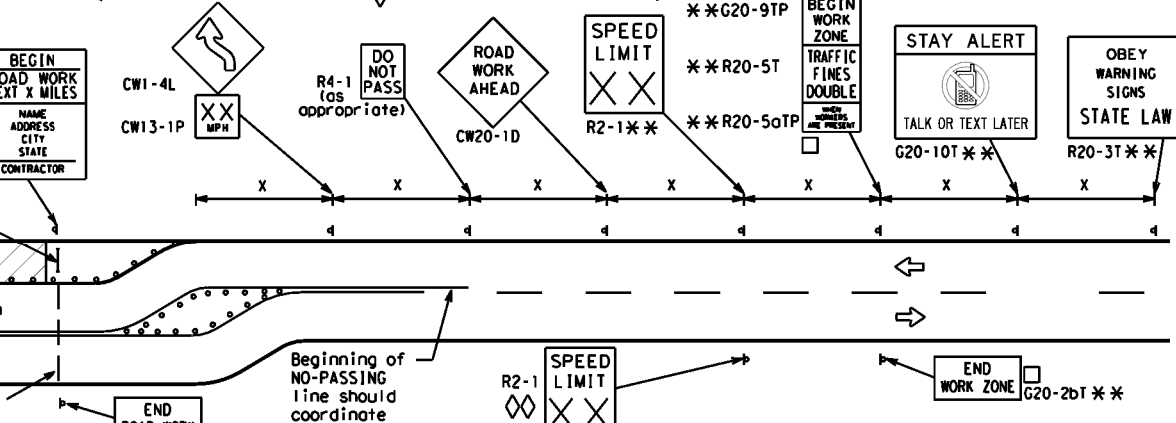


When extended distances occur between minimal work spaces, the Engineer/Inspector should ensure additional "ROAD WORK AHEAD" (CW20-1D) signs are placed in advance of these work areas to remind drivers they are still within the project limits. See the applicable TCP sheets for exact location and spacing of signs and channelizing devices.

SAMPLE LAYOUT OF SIGNING FOR WORK BEGINNING DOWNSTREAM OF THE CSJ LIMITS



SAMPLE LAYOUT OF SIGNING FOR WORK BEGINNING AT THE CSJ LIMITS



NOTES

- The Contractor shall determine the appropriate distance to be placed on the G20-1 series signs and "BEGIN ROAD WORK NEXT X MILES" (G20-5T) sign for each specific project. This distance shall replace the "X" and shall be rounded to the nearest whole mile with the approval of the Engineer. No decimals shall be used.
- The "BEGIN WORK ZONE" (G20-9TP) and "END WORK ZONE" (G20-2bT) shall be used as shown on the sample layout when advance signs are required outside the CSJ Limits. They inform the motorist of entering or leaving a part of the work zone lying outside the CSJ Limits where traffic fines may double if workers are present.
 - CSJ limit signing is required for highway construction and maintenance work, with the exception of mobile operations.
 - Area for placement of "ROAD WORK AHEAD" (CW20-1D) sign and other signs or devices as called for on the Traffic Control Plan.
 - Contractor will install a regulatory speed limit sign at the end of the work zone.

LEGEND

| | |
|-------|---|
| — | Type 3 Barricade |
| ○ ○ ○ | Channelizing Devices |
| ■ | Sign |
| X | See Typical Construction Warning Sign Size and Spacing chart or the TMUTCD for sign spacing requirements. |

SHEET 2 OF 12

Texas Department of Transportation
Traffic Safety Division Standard

BARRICADE AND CONSTRUCTION PROJECT LIMIT

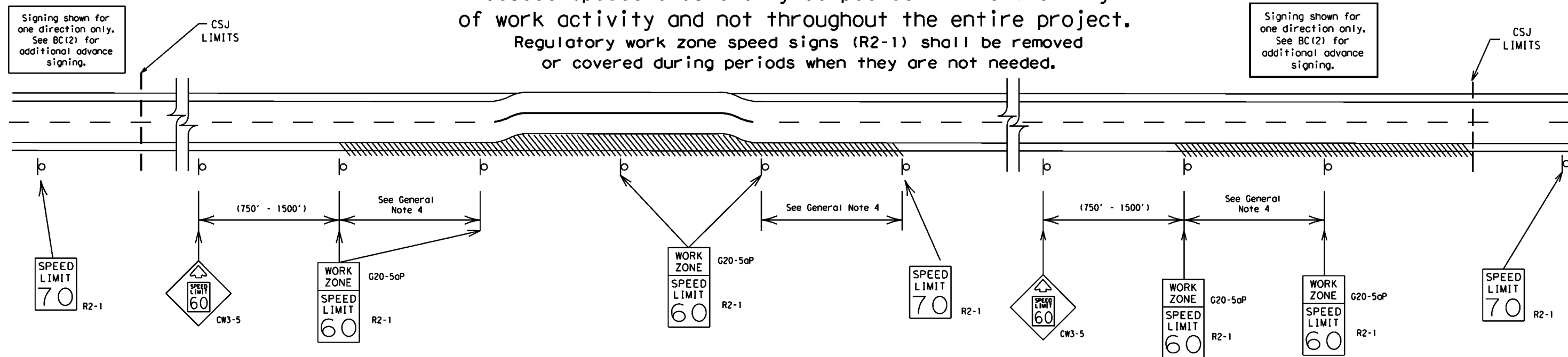
BC (2) - 21

| | | | | |
|-----------------------|------------|---------------|--------------|-------------|
| FILE: bc-21.dgn | DWG: TxDOT | CHK: TxDOT | APP: TxDOT | CR: TxDOT |
| © TxDOT November 2002 | CONT: 6451 | SECT: 05 | JOB: 001 | US 69, ETC. |
| REVISIONS: | 6451 | 05 | 001 | US 69, ETC. |
| 9-07 8-14 | DIST: TYL | COUNTY: SMITH | SHEET NO.: 7 | |
| 7-13 5-21 | | | | |

TYPICAL APPLICATION OF WORK ZONE SPEED LIMIT SIGNS

Work zone speed limits shall be regulatory, established in accordance with the "Procedures for Establishing Speed Zones," and approved by the Texas Transportation Commission, or by City Ordinance when within Incorporated City Limits.

Reduced speeds should only be posted in the vicinity of work activity and not throughout the entire project. Regulatory work zone speed signs (R2-1) shall be removed or covered during periods when they are not needed.



GUIDANCE FOR USE:

LONG/INTERMEDIATE TERM WORK ZONE SPEED LIMITS

This type of work zone speed limit should be included on the design of the traffic control plans when restricted geometrics with a lower design speed are present in the work zone and modification of the geometrics to a higher design speed is not feasible.

Long/Intermediate Term Work Zone Speed Limit signs, when approved as described above, should be posted and visible to the motorist when work activity is present.

Work activity may also be defined as a change in the roadway that requires a reduced speed for motorists to safely negotiate the work area, including:

- rough road or damaged pavement surface
- substantial alteration of roadway geometrics (diversions)
- construction detours
- grade
- width
- other conditions readily apparent to the driver

As long as any of these conditions exist, the work zone speed limit signs should remain in place.

SHORT TERM WORK ZONE SPEED LIMITS

This type of work zone speed limit may be included on the design of the traffic control plans when workers or equipment are not behind concrete barrier, when work activity is within 10 feet of the traveled way or actually in the traveled way.

Short Term Work Zone Speed Limit signs should be posted and visible to the motorists only when work activity is present. When work activity is not present, signs shall be removed or covered. (See Removing or Covering on BC(4)).

GENERAL NOTES

- Regulatory work zone speed limits should be used only for sections of construction projects where speed control is of major importance.
- Regulatory work zone speed limit signs shall be placed on supports at a 7 foot minimum mounting height.
- Speed zone signs are illustrated for one direction of travel and are normally posted for each direction of travel.
- Frequency of work zone speed limit signs should be:
 - 40 mph and greater 0.2 to 2 miles
 - 35 mph and less 0.2 to 1 mile
- Regulatory speed limit signs shall have black legend and border on a white reflective background (See "Reflective Sheeting" on BC(4)).
- Fabrication, erection and maintenance of the "ADVANCE SPEED LIMIT" (CW3-5) sign, "WORK ZONE" (G20-5aP) plaque and the "SPEED LIMIT" (R2-1) signs shall not be paid for directly, but shall be considered subsidiary to Item 502.
- Turning signs from view, laying signs over or down will not be allowed, unless as otherwise noted under "REMOVING OR COVERING" on BC(4).
- Techniques that may help reduce traffic speeds include but are not limited to:
 - Law enforcement.
 - Flagger stationed next to sign.
 - Portable changeable message sign (PCMS).
 - Low-power (drone) radar transmitter.
 - Speed monitor trailers or signs.
- Speeds shown on details above are for illustration only. Work Zone Speed Limits should only be posted as approved for each project.
- For more specific guidance concerning the type of work, work zone conditions and factors impacting allowable regulatory construction speed zone reduction see TxDOT form #1204 in the TxDOT e-form system.

DISCLAIMER: The use of this standard is governed by the "Texas Engineering Practice Act". No warranty of any kind is made by TxDOT for any purpose whatsoever. TxDOT assumes no responsibility for the conversion of units or the accuracy of the information contained herein.

DATE: 7/18/2023 3:59:45 PM
 FILE: \\txdot.projectwiseonline.com:TXDOT13\Documents\10 - TYL\Maintenance\BC(3)-21.dgn

SHEET 3 OF 12

Traffic Safety Division Standard

BARRICADE AND CONSTRUCTION WORK ZONE SPEED LIMIT

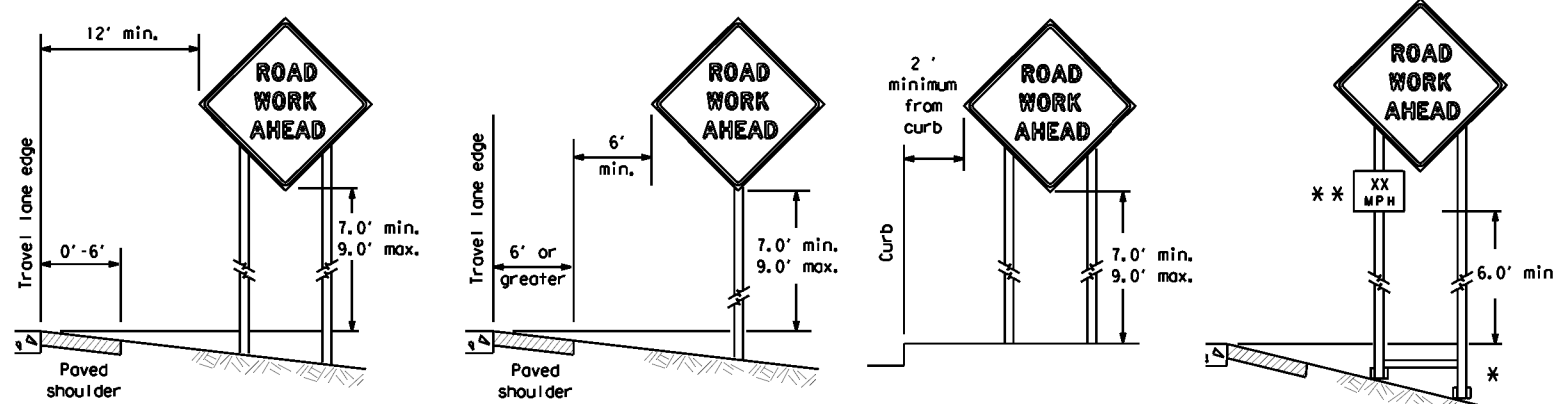
BC (3) - 21

| | | | | |
|-----------------------|-----------|-----------|-----------|-------------|
| FILE: bc-21.dgn | DNR TxDOT | CR: TxDOT | DW: TxDOT | CR: TxDOT |
| © TxDOT November 2002 | CONT | SECT | JOB | HIGHWAY |
| REVISIONS | 6451 | 05 | 001 | US 69, ETC. |
| 9-07 8-14 | DIST | COUNTY | SHEET NO. | |
| 7-13 5-21 | TYL | SMITH | 8 | |

DISCLAIMER: The use of this standard is governed by the "Texas Engineering Practice Act". No warranty of any kind is made by TxDOT for any purpose whatsoever. TxDOT assumes no responsibility for the conversion of this standard to other formats or for incorrect results or damages resulting from its use.

DATE: 7/18/2023 3:59:46 PM
 FILE: pw://txdot.projectwiseonline.com:TXDOT3/Documents/10 - TYP/Maintenance Projects/645105001/1 - Pre-Letting/Design/006-017_bc-21.dgn

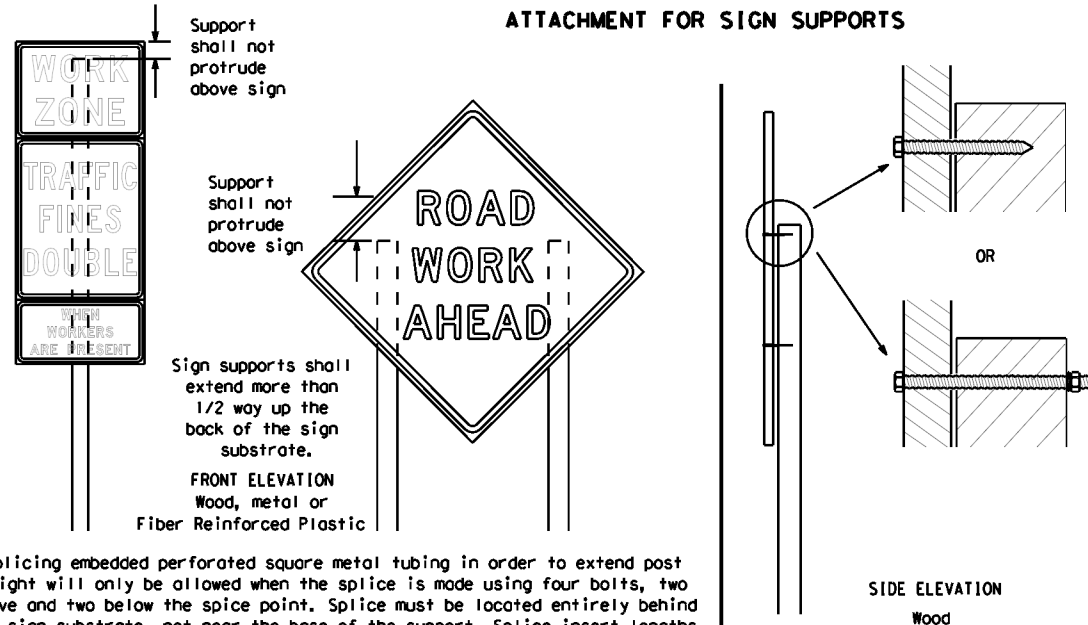
TYPICAL MINIMUM CLEARANCES FOR LONG TERM AND INTERMEDIATE TERM SIGNS



* When placing skid supports on unlevel ground, the leg post lengths must be adjusted so the sign appears straight and plumb. Objects shall NOT be placed under skids as a means of leveling.

** When plaques are placed on dual-leg supports, they should be attached to the upright nearest the travel lane. Supplemental plaques (advisory or distance) should not cover the surface of the parent sign.

ATTACHMENT FOR SIGN SUPPORTS



Nails shall NOT be allowed.
 Each sign shall be attached directly to the sign support. Multiple signs shall not be joined or spliced by any means. Wood supports shall not be extended or repaired by splicing or other means.

Splicing embedded perforated square metal tubing in order to extend post height will only be allowed when the splice is made using four bolts, two above and two below the splice point. Splice must be located entirely behind the sign substrate, not near the base of the support. Splice insert lengths should be at least 5 times nominal post size, centered on the splice and of at least the same gauge material.

GENERAL NOTES FOR WORK ZONE SIGNS

- Contractor shall install and maintain signs in a straight and plumb condition and/or as directed by the Engineer.
- Wooden sign posts shall be painted white.
- Barricades shall NOT be used as sign supports.
- All signs shall be installed in accordance with the plans or as directed by the Engineer. Signs shall be used to regulate, warn, and guide the traveling public safely through the work zone.
- The Contractor may furnish either the sign design shown in the plans or in the "Standard Highway Sign Designs for Texas" (SHSD). The Engineer/Inspector may require the Contractor to furnish other work zone signs that are shown in the TMUTCD but may have been omitted from the plans. Any variation in the plans shall be documented by written agreement between the Engineer and the Contractor's Responsible Person. All changes must be documented in writing before being implemented. This can include documenting the changes in the Inspector's TxDOT diary and having both the Inspector and Contractor initial and date the agreed upon changes.
- The Contractor shall furnish sign supports listed in the "Compliant Work Zone Traffic Control Device List" (CWZTCD) for small roadside signs. Supports for temporary large roadside signs shall meet the requirements detailed on the Temporary Large Roadside Signs (TLRS) standard sheets. The Contractor shall install the sign support in accordance with the manufacturer's recommendations. If there is a question regarding installation procedures, the Contractor shall furnish the Engineer a copy of the manufacturer's installation recommendations so the Engineer can verify the correct procedures are being followed.
- The Contractor is responsible for installing signs on approved supports and replacing signs with damaged or cracked substrates and/or damaged or marred reflective sheeting as directed by the Engineer/Inspector.
- Identification markings may be shown only on the back of the sign substrate. The maximum height of letters and/or company logos used for identification shall be 1 inch.
- The Contractor shall replace damaged wood posts. New or damaged wood sign posts shall not be spliced.

DURATION OF WORK (as defined by the "Texas Manual on Uniform Traffic Control Devices" Part 6)

- The types of sign supports, sign mounting height, the size of signs, and the type of sign substrates can vary based on the type of work being performed. The Engineer is responsible for selecting the appropriate size sign for the type of work being performed. The Contractor is responsible for ensuring the sign support, sign mounting height and substrate meets manufacturer's recommendations in regard to crashworthiness and duration of work requirements.
 - Long-term stationary - work that occupies a location more than 3 days.
 - Intermediate-term stationary - work that occupies a location more than one daylight period up to 3 days, or nighttime work lasting more than one hour.
 - Short-term stationary - daytime work that occupies a location for more than 1 hour in a single daylight period.
 - Short, duration - work that occupies a location up to 1 hour.
 - Mobile - work that moves continuously or intermittently (stopping for up to approximately 15 minutes.)

SIGN MOUNTING HEIGHT

- The bottom of Long-term/Intermediate-term signs shall be at least 7 feet, but not more than 9 feet, above the paved surface, except as shown for supplemental plaques mounted below other signs.
- The bottom of Short-term/Short Duration signs shall be a minimum of 1 foot above the pavement surface but no more than 2 feet above the ground.
- Long-term/Intermediate-term Signs may be used in lieu of Short-term/Short Duration signing.
- Short-term/Short Duration signs shall be used only during daylight and shall be removed at the end of the workday or raised to appropriate Long-term/Intermediate sign height.
- Regulatory signs shall be mounted at least 7 feet, but not more than 9 feet, above the paved surface regardless of work duration.

SIZE OF SIGNS

- The Contractor shall furnish the sign sizes shown on BC (2) unless otherwise shown in the plans or as directed by the Engineer.

SIGN SUBSTRATES

- The Contractor shall ensure the sign substrate is installed in accordance with the manufacturer's recommendations for the type of sign support that is being used. The CWZTCD lists each substrate that can be used on the different types and models of sign supports.
- "Mesh" type materials are NOT an approved sign substrate, regardless of the tightness of the weave.
- All wooden individual sign panels fabricated from 2 or more pieces shall have one or more plywood cleat, 1/2" thick by 6" wide, fastened to the back of the sign and extending fully across the sign. The cleat shall be attached to the back of the sign using wood screws that do not penetrate the face of the sign panel. The screws shall be placed on both sides of the splice and spaced at 6" centers. The Engineer may approve other methods of splicing the sign face.

REFLECTIVE SHEETING

- All signs shall be retroreflective and constructed of sheeting meeting the color and retro-reflectivity requirements of DMS-8300 for rigid signs or DMS-8310 for roll-up signs. The web address for DMS specifications is shown on BC(1).
- White sheeting, meeting the requirements of DMS-8300 Type A, shall be used for signs with a white background.
- Orange sheeting, meeting the requirements of DMS-8300 Type B_{FL} or Type C_{FL}, shall be used for rigid signs with orange backgrounds.

SIGN LETTERS

- All sign letters and numbers shall be clear, and open rounded type uppercase alphabet letters as approved by the Federal Highway Administration (FHWA) and as published in the "Standard Highway Sign Design for Texas" manual. Signs, letters and numbers shall be of first class workmanship in accordance with Department Standards and Specifications.

REMOVING OR COVERING

- When sign messages may be confusing or do not apply, the signs shall be removed or completely covered.
- Long-term stationary or intermediate stationary signs installed on square metal tubing may be turned away from traffic 90 degrees when the sign message is not applicable. This technique may not be used for signs installed in the median of divided highways or near any intersections where the sign may be seen from approaching traffic.
- Signs installed on wooden skids shall not be turned at 90 degree angles to the roadway. These signs should be removed or completely covered when not required.
- When signs are covered, the material used shall be opaque, such as heavy mil black plastic, or other materials which will cover the entire sign face and maintain their opaque properties under automobile headlights at night, without damaging the sign sheeting.
- Burlap shall NOT be used to cover signs.
- Duct tape or other adhesive material shall NOT be affixed to a sign face.
- Signs and anchor stubs shall be removed and holes backfilled upon completion of work.

SIGN SUPPORT WEIGHTS

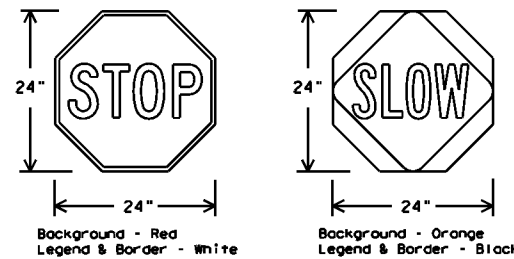
- Where sign supports require the use of weights to keep from turning over, the use of sandbags with dry, cohesionless sand should be used.
- The sandbags will be tied shut to keep the sand from spilling and to maintain a constant weight.
- Rock, concrete, iron, steel or other solid objects shall not be permitted for use as sign support weights.
- Sandbags should weigh a minimum of 35 lbs and a maximum of 50 lbs.
- Sandbags shall be made of a durable material that tears upon vehicular impact. Rubber (such as tire inner tubes) shall NOT be used.
- Rubber ballasts designed for channelizing devices should not be used for ballast on portable sign supports. Sign supports designed and manufactured with rubber bases may be used when shown on the CWZTCD list.
- Sandbags shall only be placed along or laid over the base supports of the traffic control device and shall not be suspended above ground level or hung with rope, wire, chains or other fasteners. Sandbags shall be placed along the length of the skids to weigh down the sign support.
- Sandbags shall NOT be placed under the skid and shall not be used to level sign supports placed on slopes.

FLAGS ON SIGNS

- Flags may be used to draw attention to warning signs. When used, the flag shall be 16 inches square or larger and shall be orange or fluorescent red-orange in color. Flags shall not be allowed to cover any portion of the sign face.

STOP/SLOW PADDLES

- STOP/SLOW paddles are the primary method to control traffic by flaggers. The STOP/SLOW paddle size should be 24" x 24".
- STOP/SLOW paddles shall be retroreflective when used at night.
- STOP/SLOW paddles may be attached to a staff with a minimum length of 6' to the bottom of the sign.
- Any lights incorporated into the STOP or SLOW paddle faces shall only be as specifically described in Section 6E.03 Hand Signaling Devices in the TMUTCD.



| SHEETING REQUIREMENTS (WHEN USED AT NIGHT) | | |
|--|--------|--|
| USAGE | COLOR | SIGN FACE MATERIAL |
| BACKGROUND | RED | TYPE B OR C SHEETING |
| BACKGROUND | ORANGE | TYPE B _{FL} OR C _{FL} SHEETING |
| LEGEND & BORDER | WHITE | TYPE B OR C SHEETING |
| LEGEND & BORDER | BLACK | ACRYLIC NON-REFLECTIVE FILM |

CONTRACTOR REQUIREMENTS FOR MAINTAINING PERMANENT SIGNS WITHIN THE PROJECT LIMITS

- Permanent signs are used to give notice of traffic laws or regulations, call attention to conditions that are potentially hazardous to traffic operations, show route designations, destinations, directions, distances, services, points of interest, and other geographical, recreational, specific service (LOGO), or cultural information. Drivers proceeding through a work zone need the same, if not better route guidance as normally installed on a roadway without construction.
- When permanent regulatory or warning signs conflict with work zone conditions, remove or cover the permanent signs until the permanent sign message matches the roadway condition. For details for covering large guide signs see the TS-CD standard.
- When existing permanent signs are moved and relocated due to construction purposes, they shall be visible to motorists at all times.
- If existing signs are to be relocated on their original supports, they shall be installed on crashworthy bases as shown on the SMD Standard sheets. The signs shall meet the required mounting heights shown on the BC Sheets or the SMD Standards. This work should be paid for under the appropriate pay item for relocating existing signs.
- If permanent signs are to be removed and relocated using temporary supports, the Contractor shall use crashworthy supports as shown on the BC standard sheets, TLRS standard sheets or the CWZTCD list. The signs shall meet the required mounting heights shown on the BC, or the SMD standard sheets during construction. This work should be paid for under the appropriate pay item for relocating existing signs.
- Any sign or traffic control device that is struck or damaged by the Contractor or his/her construction equipment shall be replaced as soon as possible by the Contractor to ensure proper guidance for the motorists. This will be subsidiary to Item 502.

SHEET 4 OF 12

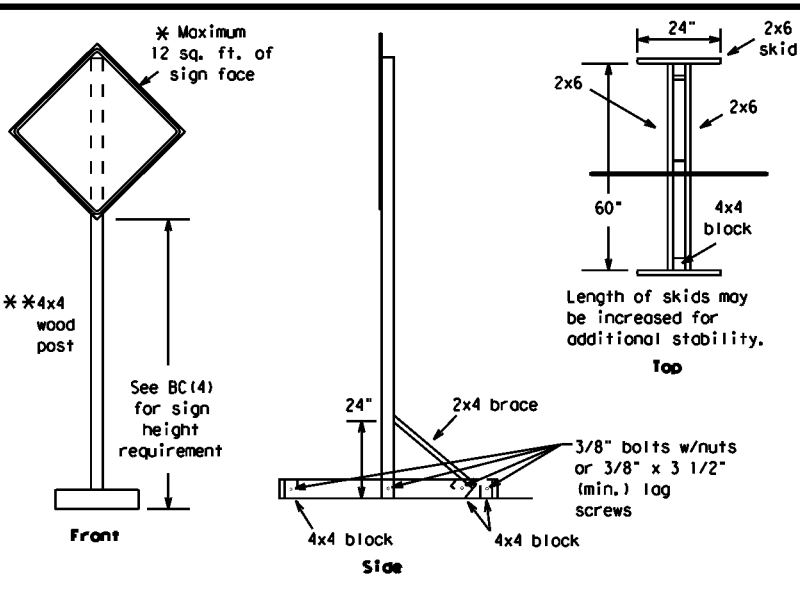
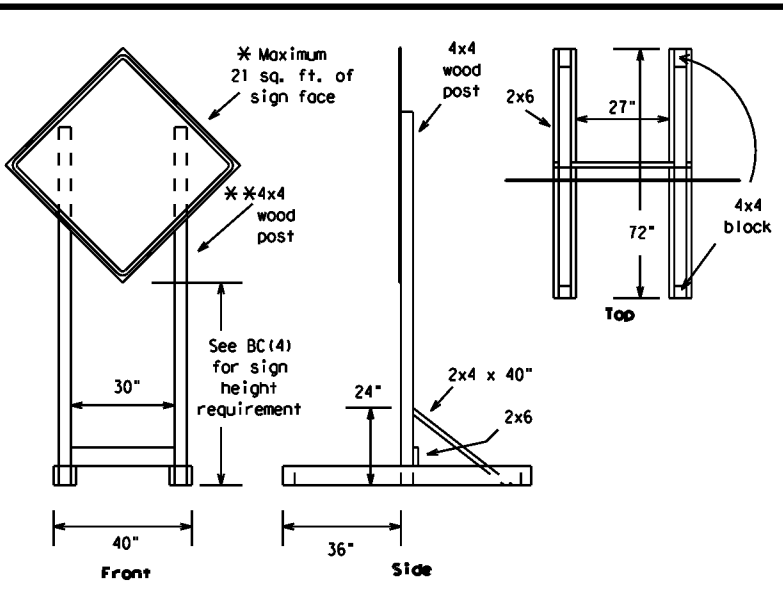


BARRICADE AND CONSTRUCTION TEMPORARY SIGN NOTES

BC (4) - 21

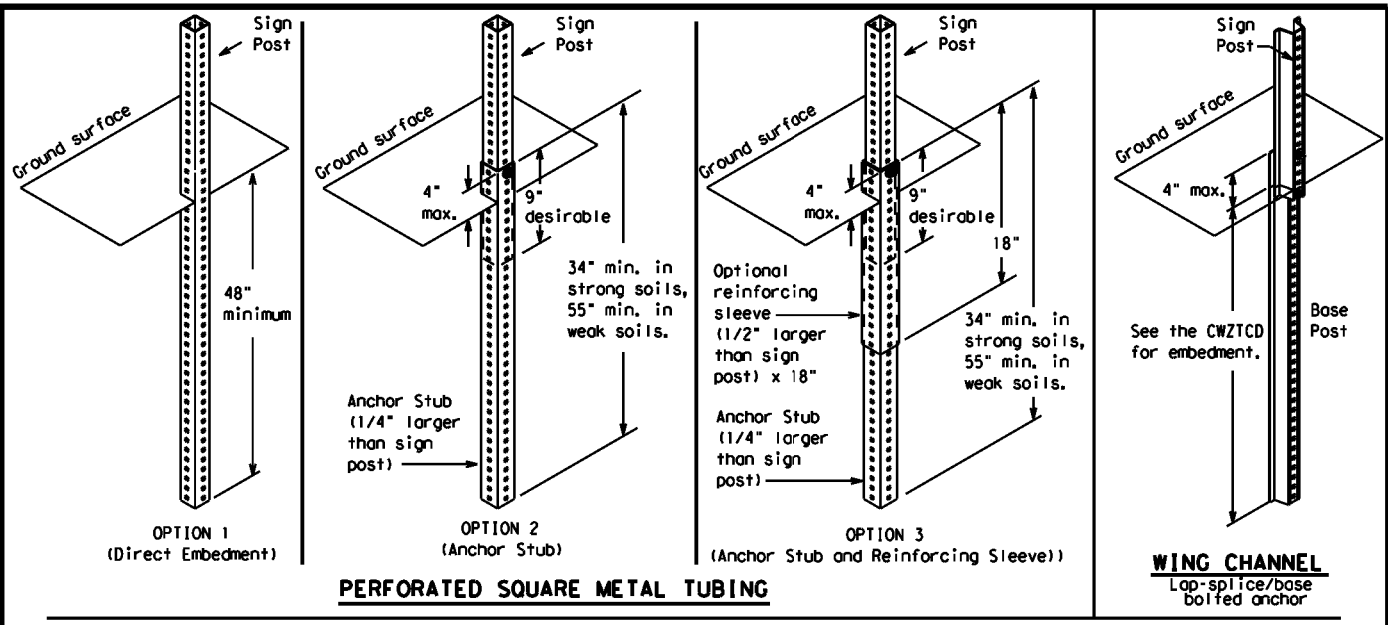
| | | | | |
|-----------------------|----------------------|-----------|------------------|--------------|
| FILE: bc-21.dgn | DWG: TxDOT | CR: TxDOT | REV: TxDOT | CHK: TxDOT |
| © TxDOT November 2002 | CONT: 645105 | SECT: 001 | JOB: US 69, ETC. | HIGHWAY |
| 9-07 8-14 | REVISIONS: 7-13 5-21 | DIST: TYL | COUNTY: SMITH | SHEET NO.: 9 |

DATE: 7/18/2023 3:59:48 PM
 FILE: pw://txdot.projectwiseonline.com:TXDOT3/Documents/10 - TYL/Maintenance Projects/64510500171 - Pre-Letting/Design/006-017_bc-21.dgn
 DISCLAIMER: The use of this standard is governed by the "Texas Engineering Practice Act". No warranty of any kind is made by TxDOT for any purpose whatsoever. TxDOT assumes no responsibility for the conversion of this standard to other units or for incorrect results or damages resulting from its use.



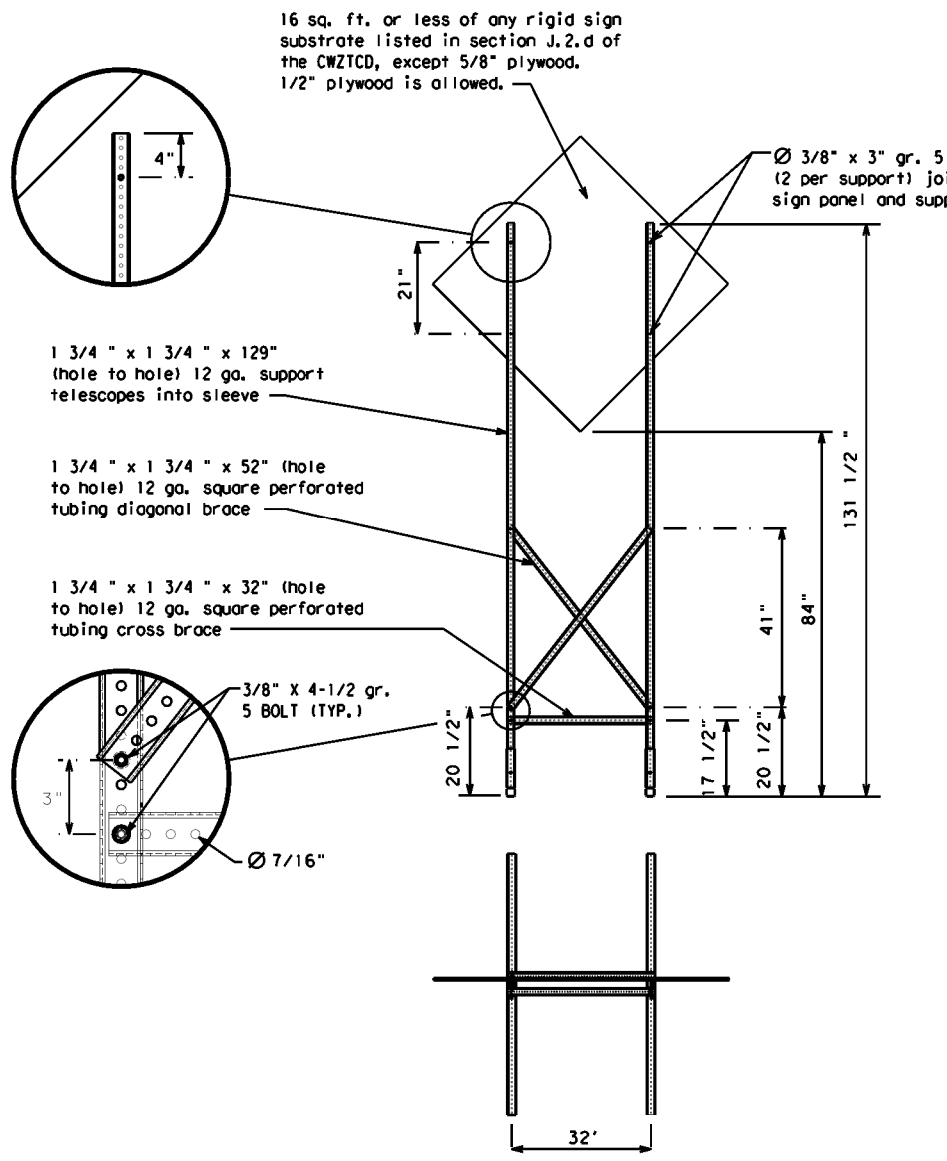
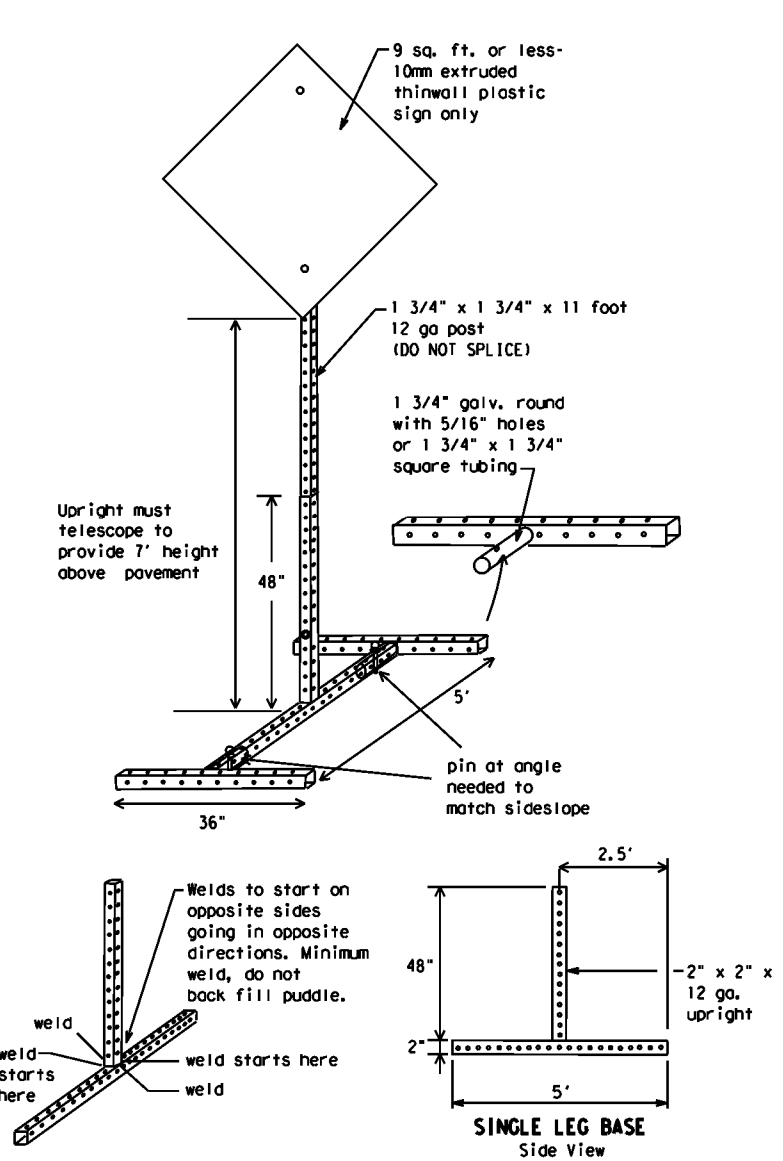
SKID MOUNTED WOOD SIGN SUPPORTS

* LONG/INTERMEDIATE TERM STATIONARY - PORTABLE SKID MOUNTED SIGN SUPPORTS



GROUND MOUNTED SIGN SUPPORTS

Refer to the CWZTCD and the manufacturer's installation procedure for each type sign support. The maximum sign square footage shall adhere to the manufacturer's recommendation. Two post installations can be used for larger signs.



SKID MOUNTED PERFORATED SQUARE STEEL TUBING SIGN SUPPORTS

* LONG/INTERMEDIATE TERM STATIONARY - PORTABLE SKID MOUNTED SIGN SUPPORTS

WEDGE ANCHORS
 Both steel and plastic Wedge Anchor Systems as shown on the SMD Standard Sheets may be used as temporary sign supports for signs up to 10 square feet of sign face. They may be set in concrete or in sturdy soils if approved by the Engineer. (See web address for "Traffic Engineering Standard Sheets" on BC(1)).

OTHER DESIGNS
 MORE DETAILS OF APPROVED LONG/INTERMEDIATE AND SHORT TERM SUPPORTS CAN BE FOUND ON THE CWZTCD LIST. SEE BC(1) FOR WEBSITE LOCATION.

- GENERAL NOTES**
- Nails may be used in the assembly of wooden sign supports, but 3/8" bolts with nuts or 3/8" x 3 1/2" lag screws must be used on every joint for final connection.
 - No more than 2 sign posts shall be placed within a 7 ft. circle, except for specific materials noted on the CWZTCD List.
 - When project is completed, all sign supports and foundations shall be removed from the project site. This will be considered subsidiary to Item 502.
- * See BC(4) for definition of "Work Duration."
 ** Wood sign posts MUST be one piece. Splicing will NOT be allowed. Posts shall be painted white.
 See the CWZTCD for the type of sign substrate that can be used for each approved sign support.

SHEET 5 OF 12



BARRICADE AND CONSTRUCTION TYPICAL SIGN SUPPORT

BC(5) - 21

| | | | | |
|-----------------------|------------|------------|-------------|-----------|
| FILE: bc-21.dgn | DWF: TxDOT | CHK: TxDOT | DWG: TxDOT | CR: TxDOT |
| © TxDOT November 2002 | CONT | SECT | JOB | HIGHWAY |
| REVISIONS | 645105 | 001 | US 69, ETC. | |
| 9-07 8-14 | DIST | COUNTY | SHEET NO. | |
| 7-13 5-21 | TYL | SMITH | 10 | |

WHEN NOT IN USE, REMOVE THE PCMS FROM THE RIGHT-OF-WAY OR PLACE THE PCMS BEHIND BARRIER OR GUARDRAIL WITH SIGN PANEL TURNED PARALLEL TO TRAFFIC

RECOMMENDED PHASES AND FORMATS FOR PCMS MESSAGES DURING ROADWORK ACTIVITIES

(The Engineer may approve other messages not specifically covered here.)

PORTABLE CHANGEABLE MESSAGE SIGNS

- The Engineer/Inspector shall approve all messages used on portable changeable message signs (PCMS).
- Messages on PCMS should contain no more than 8 words (about four to eight characters per word), not including simple words such as "TO," "FOR," "AT," etc.
- Messages should consist of a single phase, or two phases that alternate. Three-phase messages are not allowed. Each phase of the message should convey a single thought, and must be understood by itself.
- Use the word "EXIT" to refer to an exit ramp on a freeway; i.e., "EXIT CLOSED." Do not use the term "RAMP."
- Always use the route or interstate designation (IH, US, SH, FM) along with the number when referring to a roadway.
- When in use, the bottom of a stationary PCMS message panel should be a minimum 7 feet above the roadway, where possible.
- The message term "WEEKEND" should be used only if the work is to start on Saturday morning and end by Sunday evening at midnight. Actual days and hours of work should be displayed on the PCMS if work is to begin on Friday evening and/or continue into Monday morning.
- The Engineer/Inspector may select one of two options which are available for displaying a two-phase message on a PCMS. Each phase may be displayed for either four seconds each or for three seconds each.
- Do not "flash" messages or words included in a message. The message should be steady burn or continuous while displayed.
- Do not present redundant information on a two-phase message; i.e., keeping two lines of the message the same and changing the third line.
- Do not use the word "Danger" in message.
- Do not display the message "LANES SHIFT LEFT" or "LANES SHIFT RIGHT" on a PCMS. Drivers do not understand the message.
- Do not display messages that scroll horizontally or vertically across the face of the sign.
- The following table lists abbreviated words and two-word phrases that are acceptable for use on a PCMS. Both words in a phrase must be displayed together. Words or phrases not on this list should not be abbreviated, unless shown in the TMUTCD.
- PCMS character height should be at least 18 inches for trailer mounted units. They should be visible from at least 1/2 (.5) mile and the text should be legible from at least 600 feet at night and 800 feet in daylight. Truck mounted units must have a character height of 10 inches and must be legible from at least 400 feet.
- Each line of text should be centered on the message board rather than left or right justified.
- If disabled, the PCMS should default to an illegible display that will not alarm motorists and will only be used to alert workers that the PCMS has malfunctioned. A pattern such as a series of horizontal solid bars is appropriate.

DISCLAIMER: The use of this standard is governed by the "Texas Engineering Practice Act." No warranty of any kind is made by TxDOT for any purpose whatsoever. TxDOT assumes no responsibility for the conversion of this standard to other formats or for any errors or omissions resulting from its use.

Phase 1: Condition Lists

Road/Lane/Ramp Closure List

| |
|-----------------------|
| FREEWAY CLOSED X MILE |
| ROAD CLOSED AT SH XXX |
| ROAD CLSD AT FM XXXX |
| RIGHT X LANES CLOSED |
| CENTER LANE CLOSED |
| NIGHT LANE CLOSURES |
| VARIOUS LANES CLOSED |
| EXIT CLOSED |
| MALL DRIVEWAY CLOSED |
| XXXXXXXX BLVD CLOSED |

Other Condition List

| |
|--------------------------|
| FRONTAGE ROAD CLOSED |
| SHOULDER CLOSED XXX FT |
| RIGHT LN CLOSED XXX FT |
| RIGHT X LANES OPEN |
| DAYTIME LANE CLOSURES |
| I-XX SOUTH EXIT CLOSED |
| EXIT XXX CLOSED X MILE |
| RIGHT LN TO BE CLOSED |
| X LANES CLOSED TUE - FRI |
| ROADWORK XXX FT |
| FLAGGER XXXX FT |
| RIGHT LN NARROWS XXXX FT |
| MERGING TRAFFIC XXXX FT |
| LOOSE GRAVEL XXXX FT |
| DETOUR X MILE |
| ROADWORK PAST SH XXXX |
| BUMP XXXX FT |
| TRAFFIC SIGNAL XXXX FT |
| ROAD REPAIRS XXXX FT |
| LANE NARROWS XXXX FT |
| TWO-WAY TRAFFIC XX MILE |
| CONST TRAFFIC XXX FT |
| UNEVEN LANES XXXX FT |
| ROUGH ROAD XXXX FT |
| ROADWORK NEXT FRI-SUN |
| US XXX EXIT X MILES |
| LANES SHIFT * |

* LANES SHIFT in Phase 1 must be used with STAY IN LANE in Phase 2.

Phase 2: Possible Component Lists

Action to Take/Effect on Travel List

| |
|----------------------|
| MERGE RIGHT |
| DETOUR NEXT X EXITS |
| USE EXIT XXX |
| STAY ON US XXX SOUTH |
| TRUCKS USE US XXX N |
| WATCH FOR TRUCKS |
| EXPECT DELAYS |
| REDUCE SPEED XXX FT |
| USE OTHER ROUTES |
| STAY IN LANE * |

Location List

| |
|--------------------------|
| AT FM XXXX |
| BEFORE RAILROAD CROSSING |
| NEXT X MILES |
| PAST US XXX EXIT |
| XXXXXXXX TO XXXXXXX |
| US XXX TO FM XXXX |

Warning List

| |
|-----------------------|
| SPEED LIMIT XX MPH |
| MAXIMUM SPEED XX MPH |
| MINIMUM SPEED XX MPH |
| ADVISORY SPEED XX MPH |
| RIGHT LANE EXIT |
| USE CAUTION |
| DRIVE SAFELY |
| DRIVE WITH CARE |

** Advance Notice List

| |
|-------------------------|
| TUE-FRI XX AM - X PM |
| APR XX - XX X PM - X AM |
| BEGINS MONDAY |
| BEGINS MAY XX |
| MAY X-X XX PM - XX AM |
| NEXT FRI-SUN |
| XX AM TO XX PM |
| NEXT TUE AUG XX |
| TONIGHT XX PM - XX AM |

** See Application Guidelines Note 6.

| WORD OR PHRASE | ABBREVIATION | WORD OR PHRASE | ABBREVIATION |
|------------------------|--------------|----------------|--------------|
| Access Road | ACCS RD | Major | MAJ |
| Alternate | ALT | Miles | MI |
| Avenue | AVE | Miles Per Hour | MPH |
| Best Route | BEST RTE | Minor | MNR |
| Boulevard | BLVD | Monday | MON |
| Bridge | BRDG | Normal | NORM |
| Cannot | CANT | North | N |
| Center | CTR | Northbound | (route) N |
| Construction Ahead | CONST AHD | Parking | PKING |
| CROSSING | XING | Road | RD |
| Detour Route | DETOUR RTE | Right Lane | RT LN |
| Do Not | DONT | Saturday | SAT |
| East | E | Service Road | SERV RD |
| Eastbound | (route) E | Shoulder | SHLDR |
| Emergency | EMER | Slippery | SLIP |
| Emergency Vehicle | EMER VEH | South | S |
| Entrance, Enter | ENT | Southbound | (route) S |
| Express Lane | EXP LN | Speed | SPD |
| Expressway | EXPWY | Street | ST |
| XXXX Feet | XXXX FT | Sunday | SUN |
| Fog Ahead | FOG AHD | Telephone | PHONE |
| Freeway | FRWY, FWY | Temporary | TEMP |
| Freeway Blocked | FWY BLKD | Thursday | THURS |
| Friday | FRI | To Downtown | TO DWNTN |
| Hazardous Driving | HAZ DRIVING | Traffic | TRAF |
| Hazardous Material | HAZMAT | Travelers | TRVLR |
| High Occupancy Vehicle | HOV | Tuesday | TUES |
| Highway | HWY | Time Minutes | TIME MIN |
| Hour(s) | HR, HRS | Upper Level | UPR LEVEL |
| Information | INFO | Vehicles (s) | VEH, VEHS |
| It Is | ITS | Warning | WARN |
| Junction | JCT | Wednesday | WED |
| Left | LFT | Weight Limit | WT LIMIT |
| Left Lane | LFT LN | West | W |
| Lane Closed | LN CLOSED | Westbound | (route) W |
| Lower Level | LWR LEVEL | Wet Pavement | WET PVMT |
| Maintenance | MAINT | Will Not | WONT |

Roadway designation = IH-number, US-number, SH-number, FM-number

APPLICATION GUIDELINES

- Only 1 or 2 phases are to be used on a PCMS.
- The 1st phase (or both) should be selected from the "Road/Lane/Ramp Closure List" and the "Other Condition List".
- A 2nd phase can be selected from the "Action to Take/Effect on Travel, Location, General Warning, or Advance Notice Phase Lists".
- A Location Phase is necessary only if a distance or location is not included in the first phase selected.
- If two PCMS are used in sequence, they must be separated by a minimum of 1000 ft. Each PCMS shall be limited to two phases, and should be understandable by themselves.
- For advance notice, when the current date is within seven days of the actual work date, calendar days should be replaced with days of the week. Advance notification should typically be for no more than one week prior to the work.

WORDING ALTERNATIVES

- The words RIGHT, LEFT and ALL can be interchanged as appropriate.
- Roadway designations IH, US, SH, FM and LP can be interchanged as appropriate.
- EAST, WEST, NORTH and SOUTH (or abbreviations E, W, N and S) can be interchanged as appropriate.
- Highway names and numbers replaced as appropriate.
- ROAD, HIGHWAY and FREEWAY can be interchanged as needed.
- AHEAD may be used instead of distances if necessary.
- FT and MI, MILE and MILES interchanged as appropriate.
- AT, BEFORE and PAST interchanged as needed.
- Distances or AHEAD can be eliminated from the message if a location phase is used.

PCMS SIGNS WITHIN THE R.O.W. SHALL BE BEHIND GUARDRAIL OR CONCRETE BARRIER OR SHALL HAVE A MINIMUM OF FOUR (4) PLASTIC DRUMS PLACED PERPENDICULAR TO TRAFFIC ON THE UPSTREAM SIDE OF THE PCMS, WHEN EXPOSED TO ONE DIRECTION OF TRAFFIC. WHEN EXPOSED TO TWO WAY TRAFFIC, THE FOUR DRUMS SHOULD BE PLACED WITH ONE DRUM AT EACH OF THE FOUR CORNERS OF THE UNIT.

FULL MATRIX PCMS SIGNS

- When Full Matrix PCMS signs are used, the character height and legibility/visibility requirements shall be maintained as listed in Note 15 under "PORTABLE CHANGEABLE MESSAGE SIGNS" above.
- When symbol signs, such as the "Flagger Symbol" (CW20-7) are represented graphically on the Full Matrix PCMS sign and, with the approval of the Engineer, it shall maintain the legibility/visibility requirement listed above.
- When symbol signs are represented graphically on the Full Matrix PCMS, they shall only supplement the use of the static sign represented, and shall not substitute for, or replace that sign.
- A full matrix PCMS may be used to simulate a flashing arrow board provided it meets the visibility, flash rate and dimming requirements on BC(7), for the same size arrow.

SHEET 6 OF 12



BARRICADE AND CONSTRUCTION PORTABLE CHANGEABLE MESSAGE SIGN (PCMS)

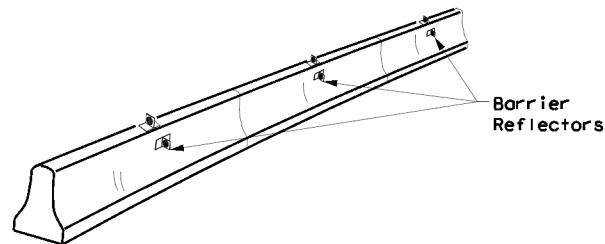
BC (6) - 21

| | | | | |
|-----------------------|------------|--------------|----------------|----------------------|
| FILE: bc-21.dgn | DWG: TxDOT | CR: TxDOT | DRW: TxDOT | CR: TxDOT |
| © TxDOT November 2002 | CONT: 6451 | SECT: 05 | JOB: 001 | HIGHWAY: US 69, ETC. |
| REVISIONS: 9-07 8-14 | DIST: 7-13 | COUNTY: 5-21 | SHEET NO.: TYL | SMITH |
| | | | | 11 |

DATE: 7/20/2023 1:11:17 PM
FILE: p:\t\dot\project\wiseonline.com\TXDOT3\Documents\10 - TYL\Maintenance Projects\64510500171 - Pre-Letting\Design\006-017_bc-21.dgn

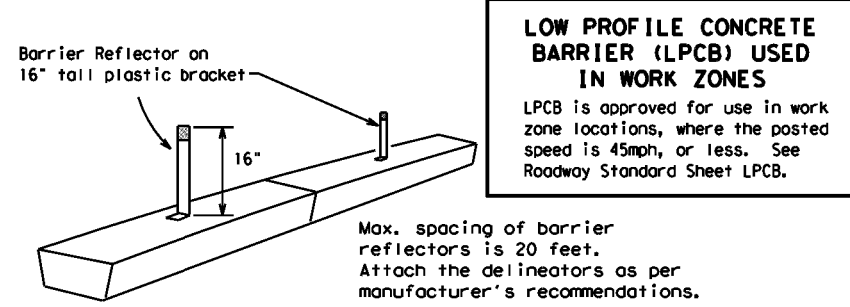
DISCLAIMER: The use of this standard is governed by the "Texas Engineering Practice Act". No warranty of any kind is made by TxDOT for any purpose whatsoever. TxDOT assumes no responsibility for the conversion of this standard to other formats or for incorrect results or damages resulting from its use.
 DATE: 7/18/2023 3:59:51 PM
 FILE: P:\t\dot\project\wiseonline.com\TXDOT3\Documents\10 - TYL\Maintenance Projects\645105001\1 - Pre-Letting\Design\006-017_bc-21.dgn

- Barrier Reflectors shall be pre-qualified, and conform to the color and reflectivity requirements of DMS-8600. A list of prequalified Barrier Reflectors can be found at the Material Producer List web address shown on BC(1).
- Color of Barrier Reflectors shall be as specified in the TMUTCD. The cost of the reflectors shall be considered subsidiary to Item 512.



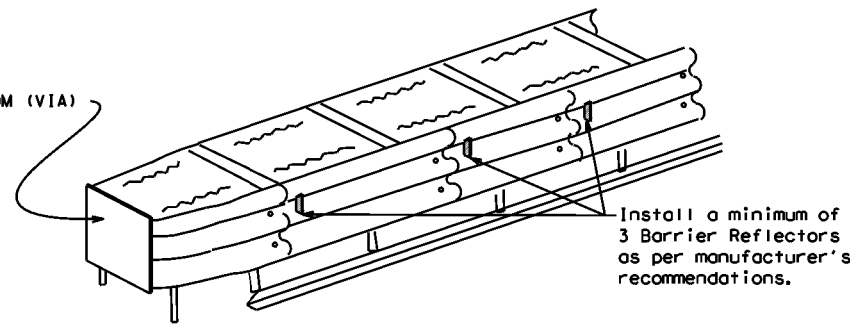
CONCRETE TRAFFIC BARRIER (CTB)

- Where traffic is on one side of the CTB, two (2) Barrier Reflectors shall be mounted in approximately the midsection of each section of CTB. An alternate mounting location is uniformly spaced at one end of each CTB. This will allow for attachment of a barrier grapple without damaging the reflector. The Barrier Reflector mounted on the side of the CTB shall be located directly below the reflector mounted on top of the barrier, as shown in the detail above.
- Where CTB separates two-way traffic, three barrier reflectors shall be mounted on each section of CTB. The reflector unit on top shall have two yellow reflective faces (Bi-Directional) while the reflectors on each side of the barrier shall have one yellow reflective face, as shown in the detail above.
- When CTB separates traffic traveling in the same direction, no barrier reflectors will be required on top of the CTB.
- Barrier Reflector units shall be yellow or white in color to match the edgeline being supplemented.
- Maximum spacing of Barrier Reflectors is forty (40) feet.
- Pavement markers or temporary flexible-reflective roadway marker tabs shall NOT be used as CTB delineation.
- Attachment of Barrier Reflectors to CTB shall be per manufacturer's recommendations.
- Missing or damaged Barrier Reflectors shall be replaced as directed by the Engineer.
- Single slope barriers shall be delineated as shown on the above detail.



LOW PROFILE CONCRETE BARRIER (LPCB) USED IN WORK ZONES
 LPCB is approved for use in work zone locations, where the posted speed is 45mph, or less. See Roadway Standard Sheet LPCB.

LOW PROFILE CONCRETE BARRIER (LPCB)



DELINEATION OF END TREATMENTS

END TREATMENTS FOR CTB'S USED IN WORK ZONES
 End treatments used on CTB's in work zones shall meet the appropriate crashworthy standards as defined in the Manual for Assessing Safety Hardware (MASH). Refer to the CWZTCD List for approved end treatments and manufacturers.

BARRIER REFLECTORS FOR CONCRETE TRAFFIC BARRIER AND ATTENUATORS

WARNING LIGHTS

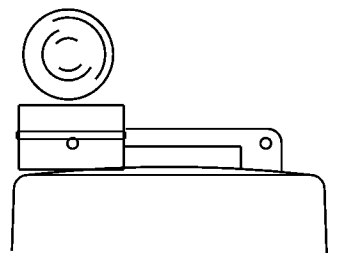
- Warning lights shall meet the requirements of the TMUTCD.
- Warning lights shall NOT be installed on barricades.
- Type A-Low Intensity Flashing Warning Lights are commonly used with drums. They are intended to warn of or mark a potentially hazardous area. Their use shall be as indicated on this sheet and/or other sheets of the plans by the designation "FL". The Type A Warning Lights shall not be used with signs manufactured with Type B_{PL} or C_{FL} Sheeting meeting the requirements of Departmental Material Specification DMS-8300.
- Type-C and Type D 360 degree Steady Burn Lights are intended to be used in a series for delineation to supplement other traffic control devices. Their use shall be as indicated on this sheet and/or other sheets of the plans by the designation "SB".
- The Engineer/Inspector or the plans shall specify the location and type of warning lights to be installed on the traffic control devices.
- When required by the Engineer, the Contractor shall furnish a copy of the warning lights certification. The warning light manufacturer will certify the warning lights meet the requirements of the latest ITE Purchase Specifications for Flashing and Steady-Burn Warning Lights.
- When used to delineate curves, Type-C and Type D Steady Burn Lights should only be placed on the outside of the curve, not the inside.
- The location of warning lights and warning reflectors on drums shall be as shown elsewhere in the plans.

WARNING LIGHTS MOUNTED ON PLASTIC DRUMS

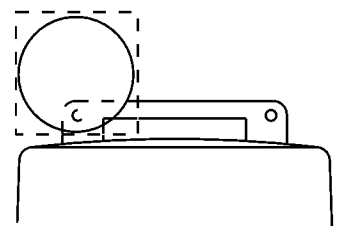
- Type A flashing warning lights are intended to warn drivers that they are approaching or are in a potentially hazardous area.
- Type A random flashing warning lights are not intended for delineation and shall not be used in a series.
- A series of sequential flashing warning lights placed on channelizing devices to form a merging taper may be used for delineation. If used, the successive flashing of the sequential warning lights should occur from the beginning of the taper to the end of the merging taper in order to identify the desired vehicle path. The rate of flashing for each light shall be 65 flashes per minute, plus or minus 10 flashes.
- Type C and D steady-burn warning lights are intended to be used in a series to delineate the edge of the travel lane on detours, on lane changes, on lane closures, and on other similar conditions.
- Type A, Type C and Type D warning lights shall be installed at locations as detailed on other sheets in the plans.
- Warning lights shall not be installed on a drum that has a sign, chevron or vertical panel.
- The maximum spacing for warning lights on drums should be identical to the channelizing device spacing.

WARNING REFLECTORS MOUNTED ON PLASTIC DRUMS AS A SUBSTITUTE FOR TYPE C (STEADY BURN) WARNING LIGHTS

- A warning reflector or approved substitute may be mounted on a plastic drum as a substitute for a Type C, steady burn warning light at the discretion of the Contractor unless otherwise noted in the plans.
- The warning reflector shall be yellow in color and shall be manufactured using a sign substrate approved for use with plastic drums listed on the CWZTCD.
- The warning reflector shall have a minimum retroreflective surface area (one-side) of 30 square inches.
- Round reflectors shall be fully reflectorized, including the area where attached to the drum.
- Square substrates must have a minimum of 30 square inches of reflectorized sheeting. They do not have to be reflectorized where it attaches to the drum.
- The side of the warning reflector facing approaching traffic shall have sheeting meeting the color and retroreflectivity requirements for DMS 8300-Type B or Type C.
- When used near two-way traffic, both sides of the warning reflector shall be reflectorized.
- The warning reflector should be mounted on the side of the handle nearest approaching traffic.
- The maximum spacing for warning reflectors should be identical to the channelizing device spacing requirements.



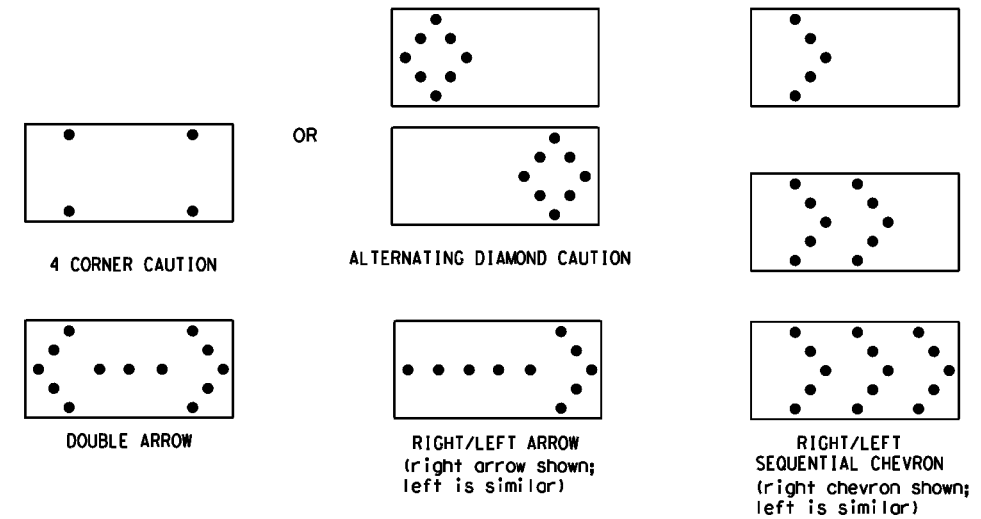
Type C Warning Light or approved substitute mounted on a drum adjacent to the travel way.



Warning reflector may be round or square. Must have a yellow reflective surface area of at least 30 square inches

Arrow Boards may be located behind channelizing devices in place for a shoulder taper or merging taper, otherwise they shall be delineated with four (4) channelizing devices placed perpendicular to traffic on the upstream side of traffic.

- The Flashing Arrow Board should be used for all lane closures on multi-lane roadways, or slow moving maintenance or construction activities on the travel lanes.
- Flashing Arrow Boards should not be used on two-lane, two-way roadways, detours, diversions or work on shoulders unless the "CAUTION" display (see detail below) is used.
- The Engineer/Inspector shall choose all appropriate signs, barricades and/or other traffic control devices that should be used in conjunction with the Flashing Arrow Board.
- The Flashing Arrow Board should be able to display the following symbols:



- The "CAUTION" display consists of four corner lamps flashing simultaneously, or the Alternating Diamond Caution mode as shown.
- The straight line caution display is NOT ALLOWED.
- The Flashing Arrow Board shall be capable of minimum 50 percent dimming from rated lamp voltage. The flashing rate of the lamps shall not be less than 25 nor more than 40 flashes per minute.
- Minimum lamp "on time" shall be approximately 50 percent for the flashing arrow and equal intervals of 25 percent for each sequential phase of the flashing chevron.
- The sequential arrow display is NOT ALLOWED.
- The flashing arrow display is the TxDOT standard; however, the sequential chevron display may be used during daylight operations.
- The Flashing Arrow Board shall be mounted on a vehicle, trailer or other suitable support.
- A Flashing Arrow Board SHALL NOT BE USED to laterally shift traffic.
- A full matrix PCMS may be used to simulate a Flashing Arrow Board provided it meets visibility, flash rate and dimming requirements on this sheet for the same size arrow.
- Minimum mounting height of trailer mounted Arrow Boards should be 7 feet from roadway to bottom of panel.

| REQUIREMENTS | | | |
|--------------|--------------|-------------------------------|-----------------------------|
| TYPE | MINIMUM SIZE | MINIMUM NUMBER OF PANEL LAMPS | MINIMUM VISIBILITY DISTANCE |
| B | 30 x 60 | 13 | 3/4 mile |
| C | 48 x 96 | 15 | 1 mile |

ATTENTION
 Flashing Arrow Boards shall be equipped with automatic dimming devices.

WHEN NOT IN USE, REMOVE THE ARROW BOARD FROM THE RIGHT-OF-WAY OR PLACE THE ARROW BOARD BEHIND CONCRETE TRAFFIC BARRIER OR GUARDRAIL.

FLASHING ARROW BOARDS

SHEET 7 OF 12

TRUCK-MOUNTED ATTENUATORS

- Truck-mounted attenuators (TMA) used on TxDOT facilities must meet the requirements outlined in the Manual for Assessing Safety Hardware (MASH).
- Refer to the CWZTCD for the requirements of Level 2 or Level 3 TMAs.
- Refer to the CWZTCD for a list of approved TMAs.
- TMAs are required on freeways unless otherwise noted in the plans.
- A TMA should be used anytime that it can be positioned 30 to 100 feet in advance of the area of crew exposure without adversely affecting the work performance.
- The only reason a TMA should not be required is when a work area is spread down the roadway and the work crew is an extended distance from the TMA.

Texas Department of Transportation
 Traffic Safety Division Standard

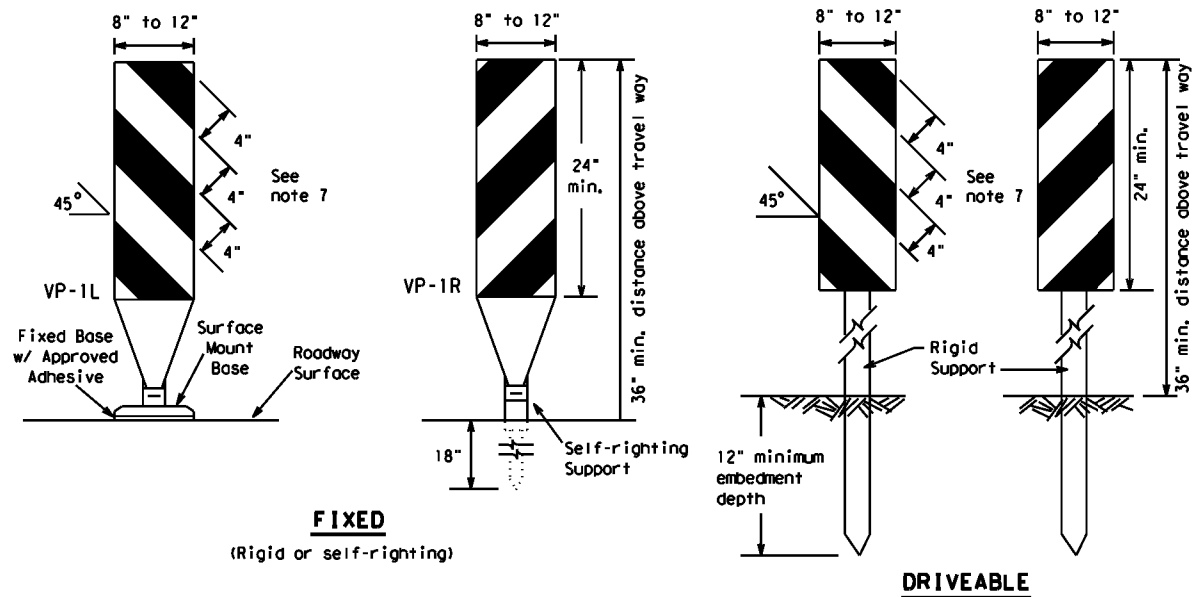
BARRICADE AND CONSTRUCTION ARROW PANEL, REFLECTORS, WARNING LIGHTS & ATTENUATOR

BC (7) -21

| | | | | | | | | | |
|-----------|---------------|-------|---------|------------|-------------|------|-------|------|-------|
| FILE: | bc-21.dgn | DWG: | TxDOT | CHK: | TxDOT | DRW: | TxDOT | CRK: | TxDOT |
| © TxDOT | November 2002 | CONT: | SECT: | JOB: | HIGHWAY: | | | | |
| REVISIONS | | 6451 | 05 | 001 | US 69, ETC. | | | | |
| 9-07 | 8-14 | DIST: | COUNTY: | SHEET NO.: | | | | | |
| 7-13 | 5-21 | TYL | SMITH | 12 | | | | | |

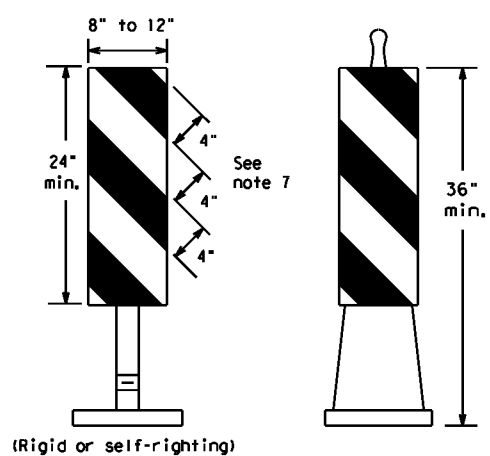
DISCLAIMER: The use of this standard is governed by the "Texas Engineering Practice Act". No warranty of any kind is made by TxDOT for any purpose whatsoever. TxDOT assumes no responsibility for the conversion of this standard to other formats or for incorrect results or damages resulting from its use.

DATE: 7/18/2023 3:59:53 PM
 FILE: pw://txdot.projectwiseonline.com:TXDOT3/Documents/10 - IYL/Maintenance Projects/645105001/1 - Pre-Letting/Design/006-017_bc-21.dgn



FIXED
(Rigid or self-righting)

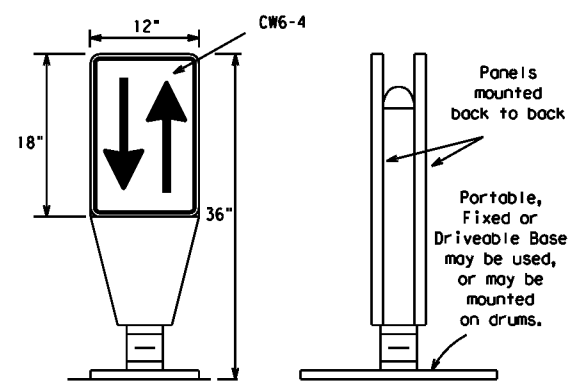
DRIVEABLE



PORTABLE

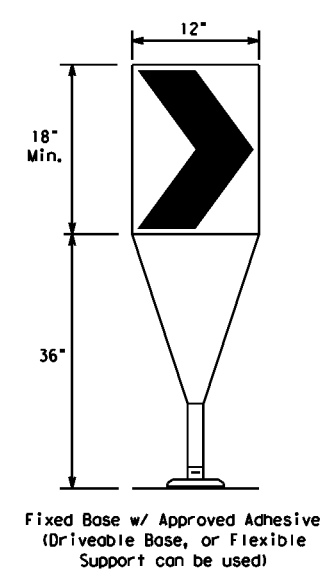
VERTICAL PANELS (VPs)

- Vertical Panels (VP's) are normally used to channelize traffic or divide opposing lanes of traffic.
- VP's may be used in daytime or nighttime situations. They may be used at the edge of shoulder drop-offs and other areas such as lane transitions where positive daytime and nighttime delineation is required. The Engineer/Inspector shall refer to the Roadway Design Manual for additional requirements on the use VP's for drop-offs.
- VP's should be mounted back to back if used at the edge of cuts adjacent to two-way two lane roadways. Stripes are to be reflective orange and reflective white and should always slope downward toward the travel lane.
- VP's used on expressways and freeways or other high speed roadways, may have more than 270 square inches of retroreflective area facing traffic.
- Self-righting supports are available with portable base. See "Compliant Work Zone Traffic Control Devices List" (CWZTCD).
- Sheeting for the VP's shall be retroreflective Type A or Type B conforming to Departmental Material Specification DMS-8300, unless noted otherwise.
- Where the height of reflective material on the vertical panel is 36 inches or greater, a panel stripe of 6 inches shall be used.



OPPOSING TRAFFIC LANE DIVIDERS (OTLD)

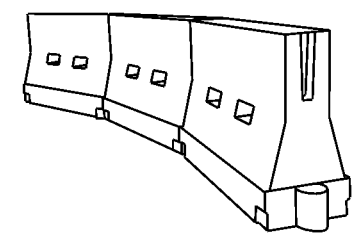
- Opposing Traffic Lane Dividers (OTLD) are delineation devices designed to convert a normal one-way roadway section to two-way operation. OTLD's are used on temporary centerlines. The upward and downward arrows on the sign's face indicate the direction of traffic on either side of the divider. The base is secured to the pavement with an adhesive or rubber weight to minimize movement caused by a vehicle impact or wind gust.
- The OTLD may be used in combination with 42" cones or VPs.
- Spacing between the OTLD shall not exceed 500 feet. 42" cones or VPs placed between the OTLD's should not exceed 100 foot spacing.
- The OTLD shall be orange with a black non-reflective legend. Sheeting for the OTLD shall be retroreflective Type B_{FL} or Type C_{FL} conforming to Departmental Material Specification DMS-8300, unless noted otherwise. The legend shall meet the requirements of DMS-8300.



Fixed Base w/ Approved Adhesive (Driveable Base, or Flexible Support can be used)

- The chevron shall be a vertical rectangle with a minimum size of 12 by 18 inches.
- Chevrons are intended to give notice of a sharp change of alignment with the direction of travel and provide additional emphasis and guidance for vehicle operators with regard to changes in horizontal alignment of the roadway.
- Chevrons, when used, shall be erected on the outside of a sharp curve or turn, or on the far side of an intersection. They shall be in line with and at right angles to approaching traffic. Spacing should be such that the motorist always has three in view, until the change in alignment eliminates its need.
- To be effective, the chevron should be visible for at least 500 feet.
- Chevrons shall be orange with a black nonreflective legend. Sheeting for the chevron shall be retroreflective Type B_{FL} or Type C_{FL} conforming to Departmental Material Specification DMS-8300, unless noted otherwise. The legend shall meet the requirements of DMS-8300.
- For Long Term Stationary use on tapers or transitions on freeways and divided highways, self-righting chevrons may be used to supplement plastic drums but not to replace plastic drums.

CHEVRONS



LONGITUDINAL CHANNELIZING DEVICES (LCD)

- LCDs are crashworthy, lightweight, deformable devices that are highly visible, have good target value and can be connected together. They are not designed to contain or redirect a vehicle on impact.
- LCDs may be used instead of a line of cones or drums.
- LCDs shall be placed in accordance to application and installation requirements specific to the device, and used only when shown on the CWZTCD list.
- LCDs should not be used to provide positive protection for obstacles, pedestrians or workers.
- LCDs shall be supplemented with retroreflective delineation as required for temporary barriers on BC(7) when placed roughly parallel to the travel lanes.
- LCDs used as barricades placed perpendicular to traffic should have at least one row of reflective sheeting meeting the requirements for barricade rails as shown on BC(10). Place reflective sheeting near the top of the LCD along the full length of the device.

WATER BALLASTED SYSTEMS USED AS BARRIERS

- Water ballasted systems used as barriers shall not be used solely to channelize road users, but also to protect the work space per the appropriate Manual for Assessing Safety Hardware (MASH) crashworthiness requirements based on roadway speed and barrier application.
- Water ballasted systems used to channelize vehicular traffic shall be supplemented with retroreflective delineation or channelizing devices to improve daytime/nighttime visibility. They may also be supplemented with pavement markings.
- Water ballasted systems used as barriers shall be placed in accordance to application and installation requirements specific to the device, and used only when shown on the CWZTCD list.
- Water ballasted systems used as barriers should not be used for a merging taper except in low speed (less than 45 MPH) urban areas. When used on a taper in a low speed urban area, the taper shall be delineated and the taper length should be designed to optimize road user operations considering the available geometric conditions.
- When water ballasted systems used as barriers have blunt ends exposed to traffic, they should be attenuated as per manufacturer recommendations or flared to a point outside the clear zone.

If used to channelize pedestrians, longitudinal channelizing devices or water ballasted systems must have a continuous detectable bottom for users of long canes and the top of the unit shall not be less than 32 inches in height.

HOLLOW OR WATER BALLASTED SYSTEMS USED AS LONGITUDINAL CHANNELIZING DEVICES OR BARRIERS

GENERAL NOTES

- Work Zone channelizing devices illustrated on this sheet may be installed in close proximity to traffic and are suitable for use on high or low speed roadways. The Engineer/Inspector shall ensure that spacing and placement is uniform and in accordance with the "Texas Manual on Uniform Traffic Control Devices" (TMUTCD).
- Channelizing devices shown on this sheet may have a driveable, fixed or portable base. The requirement for self-righting channelizing devices must be specified in the General Notes or other plan sheets.
- Channelizing devices on self-righting supports should be used in work zone areas where channelizing devices are frequently impacted by errant vehicles or vehicle related wind gusts making alignment of the channelizing devices difficult to maintain. Locations of these devices shall be detailed elsewhere in the plans. These devices shall conform to the TMUTCD and the "Compliant Work Zone Traffic Control Devices List" (CWZTCD).
- The Contractor shall maintain devices in a clean condition and replace damaged, nonreflective, faded, or broken devices and bases as required by the Engineer/Inspector. The Contractor shall be required to maintain proper device spacing and alignment.
- Portable bases shall be fabricated from virgin and/or recycled rubber. The portable bases shall weigh a minimum of 30 lbs.
- Pavement surfaces shall be prepared in a manner that ensures proper bonding between the adhesives, the fixed mount bases and the pavement surface. Adhesives shall be prepared and applied according to the manufacturer's recommendations.
- The installation and removal of channelizing devices shall not cause detrimental effects to the final pavement surfaces, including pavement surface discoloration or surface integrity. Driveable bases shall not be permitted on final pavement surfaces. The Engineer/Inspector shall approve all application and removal procedures of fixed bases.

| Posted Speed | Formula | Minimum Desirable Taper Lengths ** | | | Suggested Maximum Spacing of Channelizing Devices | |
|--------------|--------------------------|------------------------------------|------------|------------|---|--------------|
| | | 10' Offset | 11' Offset | 12' Offset | On a Taper | On a Tangent |
| 30 | L = WS ² / 60 | 150' | 165' | 180' | 30' | 60' |
| 35 | | 205' | 225' | 245' | 35' | 70' |
| 40 | | 265' | 295' | 320' | 40' | 80' |
| 45 | L = WS | 450' | 495' | 540' | 45' | 90' |
| 50 | | 500' | 550' | 600' | 50' | 100' |
| 55 | | 550' | 605' | 660' | 55' | 110' |
| 60 | | 600' | 660' | 720' | 60' | 120' |
| 65 | | 650' | 715' | 780' | 65' | 130' |
| 70 | | 700' | 770' | 840' | 70' | 140' |
| 75 | | 750' | 825' | 900' | 75' | 150' |
| 80 | | 800' | 880' | 960' | 80' | 160' |

**Taper lengths have been rounded off.
 L=Length of Taper (FT.) W=Width of Offset (FT.)
 S=Posted Speed (MPH)

SUGGESTED MAXIMUM SPACING OF CHANNELIZING DEVICES AND MINIMUM DESIRABLE TAPER LENGTHS

SHEET 9 OF 12



BARRICADE AND CONSTRUCTION CHANNELIZING DEVICES

BC (9) - 21

| | | | | |
|-----------------------|------------|------------|------------|----------------------|
| FILE: bc-21.dgn | DWG: TxDOT | CHK: TxDOT | APP: TxDOT | CR: TxDOT |
| © TxDOT November 2002 | CONT: 6451 | SECT: 05 | JOB: 001 | HIGHWAY: US 69, ETC. |
| REVISIONS | DATE | BY | CHK | |
| 9-07 | 8-14 | | | |
| 7-13 | 5-21 | TYL | SMITH | SHEET NO. 14 |

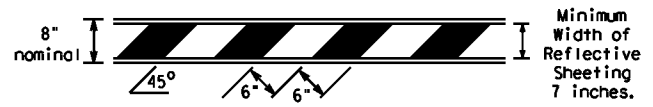
DISCLAIMER: The use of this standard is governed by the "Texas Engineering Practice Act". No warranty of any kind is made by TxDOT for any purpose whatsoever. TxDOT assumes no responsibility for the conversion of this standard to other formats or for incorrect results or damages resulting from its use.

DATE: 7/18/2023 3:59:55 PM
 FILE: P:\t\tdot\projectwiseonline.com\TXDOT13\Documents\10 - TYL\Maintenance Projects\645105001\1 - Pre-Letting\Design\006-017_bc-21.dgn

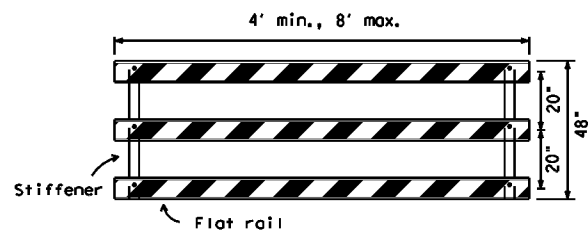
TYPE 3 BARRICADES

1. Refer to the Compliant Work Zone Traffic Control Devices List (CWZTCD) for details of the Type 3 Barricades and a list of all materials used in the construction of Type 3 Barricades.
2. Type 3 Barricades shall be used at each end of construction projects closed to all traffic.
3. Barricades extending across a roadway should have stripes that slope downward in the direction toward which traffic must turn in detouring. When both right and left turns are provided, the chevron striping may slope downward in both directions from the center of the barricade. Where no turns are provided at a closed road, striping should slope downward in both directions toward the center of roadway.
4. Striping of rails, for the right side of the roadway, should slope downward to the left. For the left side of the roadway, striping should slope downward to the right.
5. Identification markings may be shown only on the back of the barricade rails. The maximum height of letters and/or company logos used for identification shall be 1".
6. Barricades shall not be placed parallel to traffic unless an adequate clear zone is provided.
7. Warning lights shall NOT be installed on barricades.
8. Where barricades require the use of weights to keep from turning over, the use of sandbags with dry, cohesionless sand is recommended. The sandbags will be tied shut to keep the sand from spilling and to maintain a constant weight. Sand bags shall not be stacked in a manner that covers any portion of a barricade rails reflective sheeting. Rock, concrete, iron, steel or other solid objects will NOT be permitted. Sandbags should weigh a minimum of 35 lbs and a maximum of 50 lbs. Sandbags shall be made of a durable material that tears upon vehicular impact. Rubber (such as tire inner tubes) shall not be used for sandbags. Sandbags shall only be placed along or upon the base supports of the device and shall not be suspended above ground level or hung with rope, wire, chains or other fasteners.
9. Sheeting for barricades shall be retroreflective Type A or Type B conforming to Departmental Material Specification DMS-8300 unless otherwise noted.

Barricades shall NOT be used as a sign support.

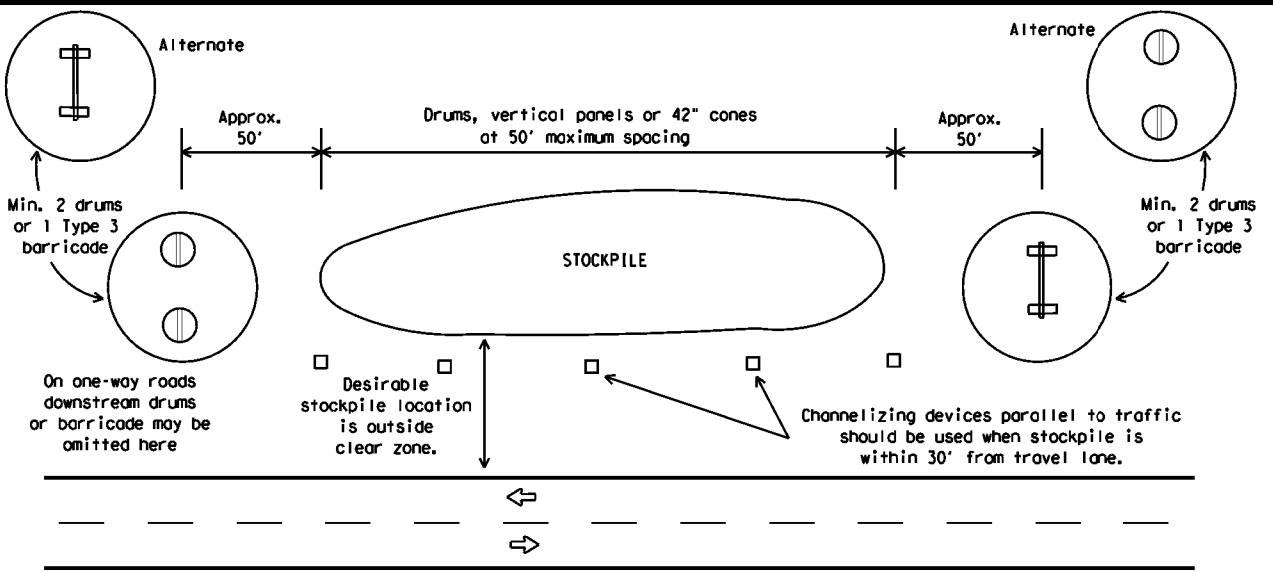


TYPICAL STRIPING DETAIL FOR BARRICADE RAIL



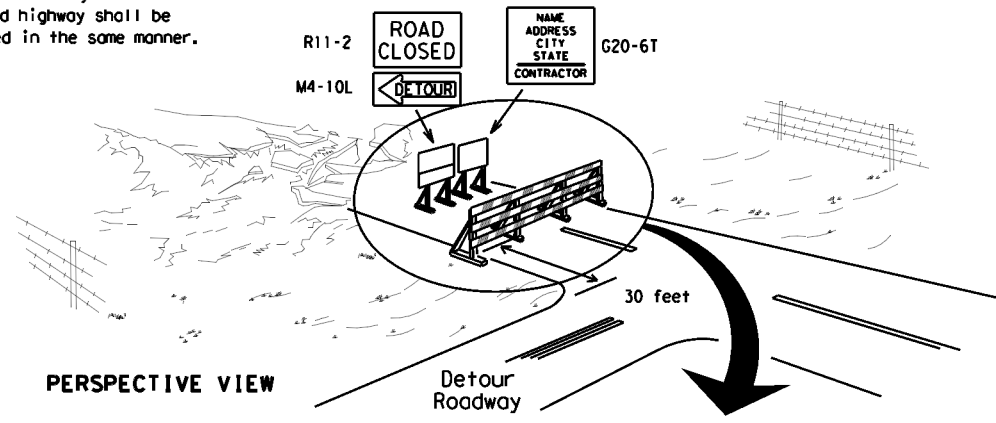
Stiffener may be inside or outside of support, but no more than 2 stiffeners shall be allowed on one barricade.

TYPICAL PANEL DETAIL FOR SKID OR POST TYPE BARRICADES



TRAFFIC CONTROL FOR MATERIAL STOCKPILES

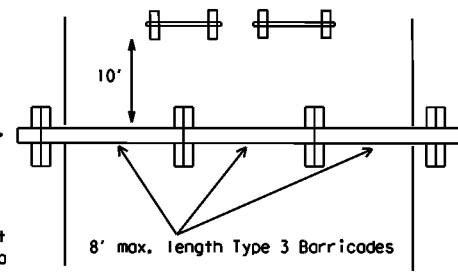
Each roadway of a divided highway shall be barricaded in the same manner.



PERSPECTIVE VIEW

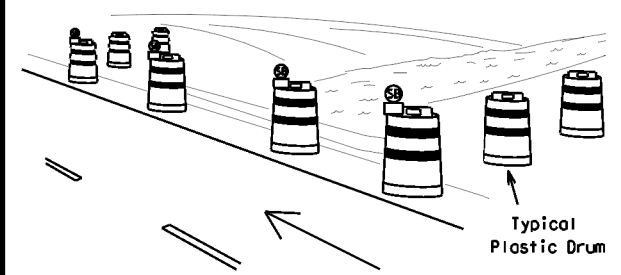
The three rails on Type 3 barricades shall be reflectorized orange and reflective white stripes on one side facing one-way traffic and both sides for two-way traffic. Barricade striping should slant downward in the direction of detour.

1. Signs should be mounted on independent supports at a 7 foot mounting height in center of roadway. The signs should be a minimum of 10 feet behind Type 3 Barricades.
2. Advance signing shall be as specified elsewhere in the plans.

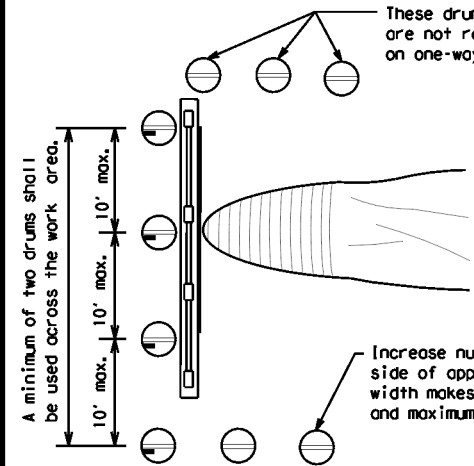


PLAN VIEW

TYPE 3 BARRICADE (POST AND SKID) TYPICAL APPLICATION



PERSPECTIVE VIEW

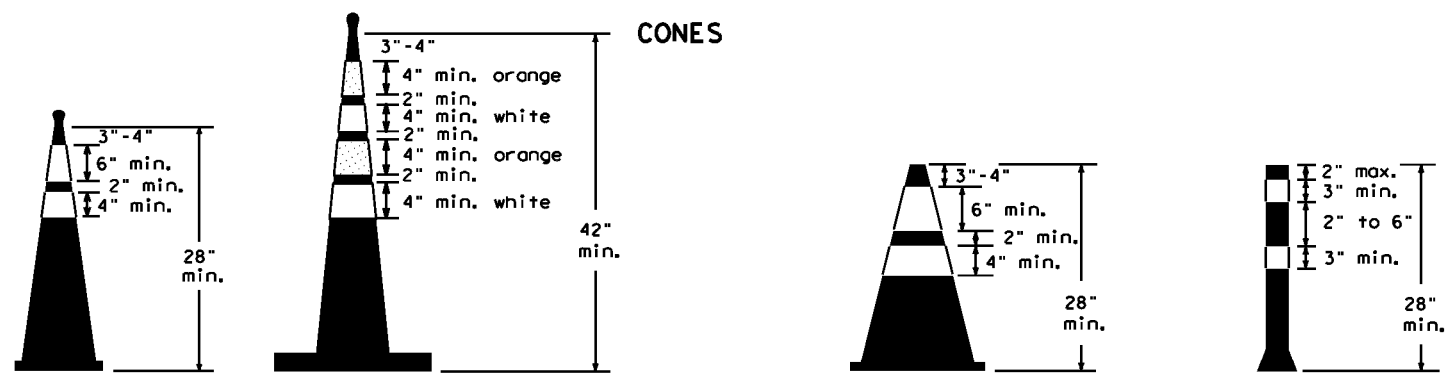


PLAN VIEW

1. Where positive redirection capability is provided, drums may be omitted.
2. Plastic construction fencing may be used with drums for safety as required in the plans.
3. Vertical Panels on flexible support may be substituted for drums when the shoulder width is less than 4 feet.
4. When the shoulder width is greater than 12 feet, steady-burn lights may be omitted if drums are used.
5. Drums must extend the length of the culvert widening.

| LEGEND | |
|--------|---|
| | Plastic drum |
| | Plastic drum with steady burn light or yellow warning reflector |
| | Steady burn warning light or yellow warning reflector |

CULVERT WIDENING OR OTHER ISOLATED WORK WITHIN THE PROJECT LIMITS



Two-Piece cones

One-Piece cones

Tubular Marker

28" Cones shall have a minimum weight of 9 1/2 lbs.
 42" 2-piece cones shall have a minimum weight of 30 lbs. including base.

1. Traffic cones and tubular markers shall be predominantly orange, and meet the height and weight requirements shown above.
2. One-piece cones have the body and base of the cone molded in one consolidated unit. Two-piece cones have a cone shaped body and a separate rubber base, or ballast, that is added to keep the device upright and in place.
3. Two-piece cones may have a handle or loop extending up to 8" above the minimum height shown, in order to aid in retrieving the device.
4. Cones or tubular markers shall have white or white and orange reflective bands as shown above. The reflective bands shall have a smooth, sealed outer surface and meet the requirements of Departmental Material Specification DMS-8300 Type A or Type B.
5. 28" cones and tubular markers are generally suitable for short duration and short-term stationary work as defined on BC(4). These should not be used for intermediate-term or long-term stationary work unless personnel is on-site to maintain them in their proper upright position.
6. 42" two-piece cones, vertical panels or drums are suitable for all work zone durations.
7. Cones or tubular markers used on each project should be of the same size and shape.



BARRICADE AND CONSTRUCTION CHANNELIZING DEVICES

BC (10) - 21

| | | | | |
|-----------------------|------------|---------------|--------------|----------------------|
| FILE: bc-21.dgn | DWG: TxDOT | CR: TxDOT | REV: TxDOT | CR: TxDOT |
| © TxDOT November 2002 | CONT: 6451 | SECT: 05 | JOB: 001 | HIGHWAY: US 69, ETC. |
| REVISIONS: 9-07 8-14 | DIST: TYL | COUNTY: SMITH | SHEET NO. 15 | |
| 7-13 5-21 | | | | |

WORK ZONE PAVEMENT MARKINGS

GENERAL

- The Contractor shall be responsible for maintaining work zone and existing pavement markings, in accordance with the standard specifications and special provisions, on all roadways open to traffic within the CSJ limits unless otherwise stated in the plans.
- Color, patterns and dimensions shall be in conformance with the "Texas Manual on Uniform Traffic Control Devices" (TMUTCD).
- Additional supplemental pavement marking details may be found in the plans or specifications.
- Pavement markings shall be installed in accordance with the TMUTCD and as shown on the plans.
- When short term markings are required on the plans, short term markings shall conform with the TMUTCD, the plans and details as shown on the Standard Plan Sheet WZ(STPM).
- When standard pavement markings are not in place and the roadway is opened to traffic, DO NOT PASS signs shall be erected to mark the beginning of the sections where passing is prohibited and PASS WITH CARE signs at the beginning of sections where passing is permitted.
- All work zone pavement markings shall be installed in accordance with Item 662, "Work Zone Pavement Markings."

RAISED PAVEMENT MARKERS

- Raised pavement markers are to be placed according to the patterns on BC(12).
- All raised pavement markers used for work zone markings shall meet the requirements of Item 672, "RAISED PAVEMENT MARKERS" and Departmental Material Specification DMS-4200 or DMS-4300.

PREFABRICATED PAVEMENT MARKINGS

- Removable prefabricated pavement markings shall meet the requirements of DMS-8241.
- Non-removable prefabricated pavement markings (foil back) shall meet the requirements of DMS-8240.

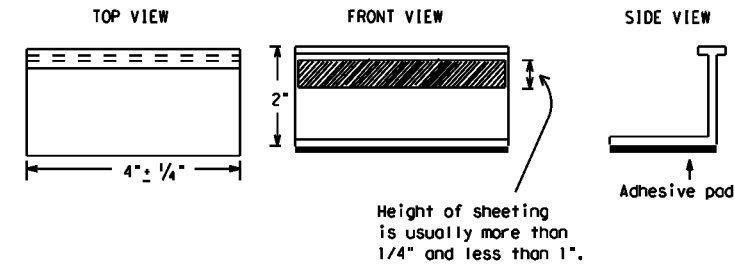
MAINTAINING WORK ZONE PAVEMENT MARKINGS

- The Contractor will be responsible for maintaining work zone pavement markings within the work limits.
- Work zone pavement markings shall be inspected in accordance with the frequency and reporting requirements of work zone traffic control device inspections as required by Form 599.
- The markings should provide a visible reference for a minimum distance of 300 feet during normal daylight hours and 160 feet when illuminated by automobile low-beam headlights at night, unless sight distance is restricted by roadway geometrics.
- Markings failing to meet this criteria within the first 30 days after placement shall be replaced at the expense of the Contractor as per Specification Item 662.

REMOVAL OF PAVEMENT MARKINGS

- Pavement markings that are no longer applicable, could create confusion or direct a motorist toward or into the closed portion of the roadway shall be removed or obliterated before the roadway is opened to traffic.
- The above shall not apply to detours in place for less than three days, where flaggers and/or sufficient channelizing devices are used in lieu of markings to outline the detour route.
- Pavement markings shall be removed to the fullest extent possible, so as not to leave a discernable marking. This shall be by any method approved by TxDOT Specification Item 677 for "Eliminating Existing Pavement Markings and Markers".
- The removal of pavement markings may require resurfacing or seal coating portions of the roadway as described in Item 677.
- Subject to the approval of the Engineer, any method that proves to be successful on a particular type pavement may be used.
- Blast cleaning may be used but will not be required unless specifically shown in the plans.
- Over-painting of the markings SHALL NOT BE permitted.
- Removal of raised pavement markers shall be as directed by the Engineer.
- Removal of existing pavement markings and markers will be paid for directly in accordance with Item 677, "ELIMINATING EXISTING PAVEMENT MARKINGS AND MARKERS," unless otherwise stated in the plans.
- Black-out marking tape may be used to cover conflicting existing markings for periods less than two weeks when approved by the Engineer.

Temporary Flexible-Reflective Roadway Marker Tabs



**STAPLES OR NAILS SHALL NOT BE USED TO SECURE
TEMPORARY FLEXIBLE-REFLECTIVE ROADWAY MARKER
TABS TO THE PAVEMENT SURFACE**

- Temporary flexible-reflective roadway marker tabs used as guidemarks shall meet the requirements of DMS-8242.
- Tabs detailed on this sheet are to be inspected and accepted by the Engineer or designated representative. Sampling and testing is not normally required, however at the option of the Engineer, either "A" or "B" below may be imposed to assure quality before placement on the roadway.
 - Select five (5) or more tabs at random from each lot or shipment and submit to the Construction Division, Materials and Pavement Section to determine specification compliance.
 - Select five (5) tabs and perform the following test. Affix five (5) tabs at 24 inch intervals on an asphaltic pavement in a straight line. Using a medium size passenger vehicle or pickup, run over the markers with the front and rear tires at a speed of 35 to 40 miles per hour, four (4) times in each direction. No more than one (1) out of the five (5) reflective surfaces shall be lost or displaced as a result of this test.
- Small design variances may be noted between tab manufacturers.
- See Standard Sheet WZ(STPM) for tab placement on new pavements. See Standard Sheet TCP(7-1) for tab placement on seal coat work.

RAISED PAVEMENT MARKERS USED AS GUIDEMARKS

- Raised pavement markers used as guidemarks shall be from the approved product list, and meet the requirements of DMS-4200.
- All temporary construction raised pavement markers provided on a project shall be of the same manufacturer.
- Adhesive for guidemarks shall be bituminous material hot applied or butyl rubber pad for all surfaces, or thermoplastic for concrete surfaces.

Guidemarks shall be designated as:
 YELLOW - (two amber reflective surfaces with yellow body).
 WHITE - (one silver reflective surface with white body).

| DEPARTMENTAL MATERIAL SPECIFICATIONS | |
|--|----------|
| PAVEMENT MARKERS (REFLECTORIZED) | DMS-4200 |
| TRAFFIC BUTTONS | DMS-4300 |
| EPOXY AND ADHESIVES | DMS-6100 |
| BITUMINOUS ADHESIVE FOR PAVEMENT MARKERS | DMS-6130 |
| PERMANENT PREFABRICATED PAVEMENT MARKINGS | DMS-8240 |
| TEMPORARY REMOVABLE, PREFABRICATED PAVEMENT MARKINGS | DMS-8241 |
| TEMPORARY FLEXIBLE, REFLECTIVE ROADWAY MARKER TABS | DMS-8242 |

A list of prequalified reflective raised pavement markers, non-reflective traffic buttons, roadway marker tabs and other pavement markings can be found at the Material Producer List web address shown on BC(1).

SHEET 11 OF 12



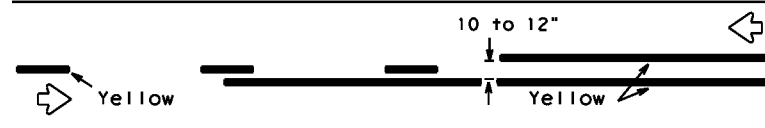
BARRICADE AND CONSTRUCTION PAVEMENT MARKINGS

BC(11)-21

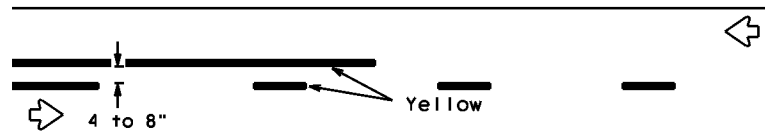
| | | | | | |
|-----------------------|------------|------------|------------|-----------|-------------|
| FILE: bc-21.dgn | DWG: TxDOT | CHK: TxDOT | DRW: TxDOT | CR: TxDOT | |
| © TxDOT February 1998 | CONT | SECT | JOB | HIGHWAY | |
| REVISIONS | | 6451 | 05 | 001 | US 69, ETC. |
| 2-98 | 9-07 | 5-21 | | | |
| 1-02 | 7-13 | | | | |
| 11-02 | 8-14 | | | | |
| | DIST | COUNTY | | SHEET NO. | |
| | TYL | SMITH | | 16 | |

DISCLAIMER: The use of this standard is governed by the "Texas Engineering Practice Act". No warranty of any kind is made by TxDOT for any purpose whatsoever. TxDOT assumes no responsibility for the conversion of this standard to other formats or for incorrect results or damages resulting from its use.
 DATE: 7/18/2023 3:59:56 PM
 FILE: pw://txdot.projectwiseonline.com:TXDOT3/Documents/10 - TYL/Maintenance Projects/645105001/1 - Pre-Letting/Design/006-017_bc-21.dgn

PAVEMENT MARKING PATTERNS

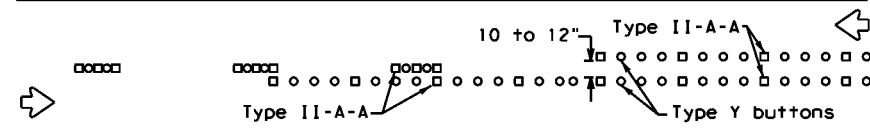


REFLECTORIZED PAVEMENT MARKINGS - PATTERN A

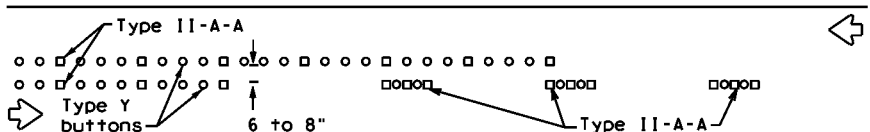


REFLECTORIZED PAVEMENT MARKINGS - PATTERN B

Pattern A is the TXDOT Standard, however Pattern B may be used if approved by the Engineer. Prefabricated markings may be substituted for reflectORIZED pavement markings.

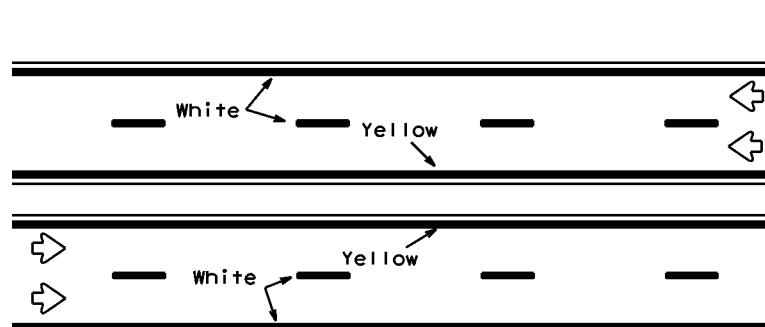


RAISED PAVEMENT MARKERS - PATTERN A



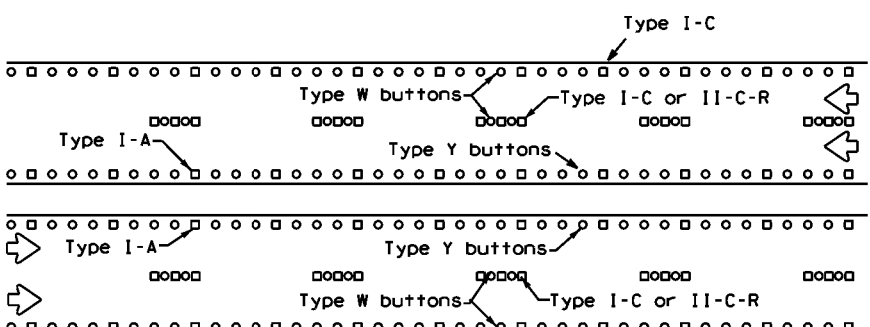
RAISED PAVEMENT MARKERS - PATTERN B

CENTER LINE & NO-PASSING ZONE BARRIER LINES FOR TWO-LANE, TWO-WAY HIGHWAYS



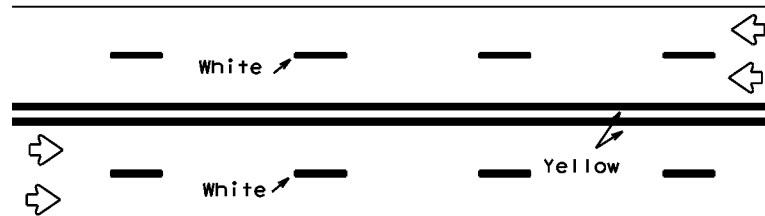
REFLECTORIZED PAVEMENT MARKINGS

Prefabricated markings may be substituted for reflectORIZED pavement markings.



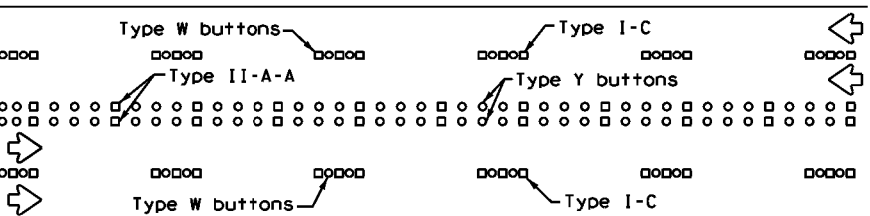
RAISED PAVEMENT MARKERS

EDGE & LANE LINES FOR DIVIDED HIGHWAY



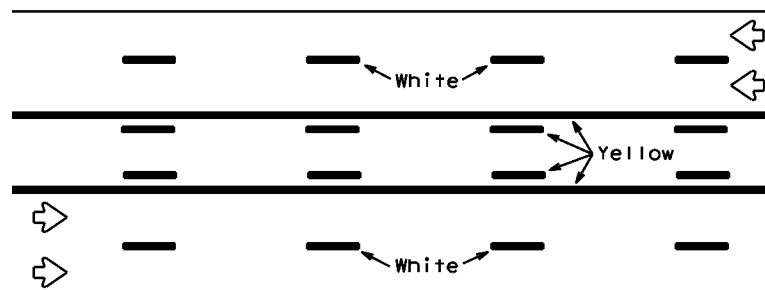
REFLECTORIZED PAVEMENT MARKINGS

Prefabricated markings may be substituted for reflectORIZED pavement markings.



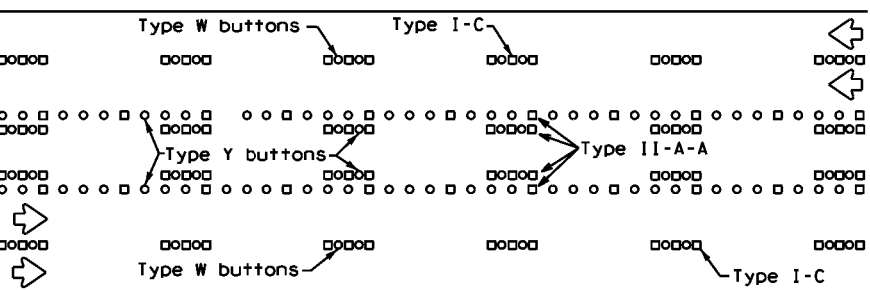
RAISED PAVEMENT MARKERS

LANE & CENTER LINES FOR MULTILANE UNDIVIDED HIGHWAYS



REFLECTORIZED PAVEMENT MARKINGS

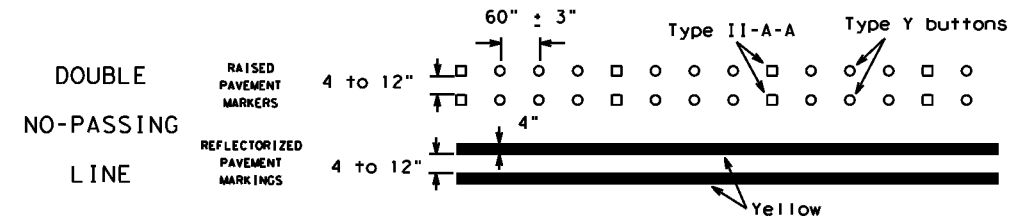
Prefabricated markings may be substituted for reflectORIZED pavement markings.



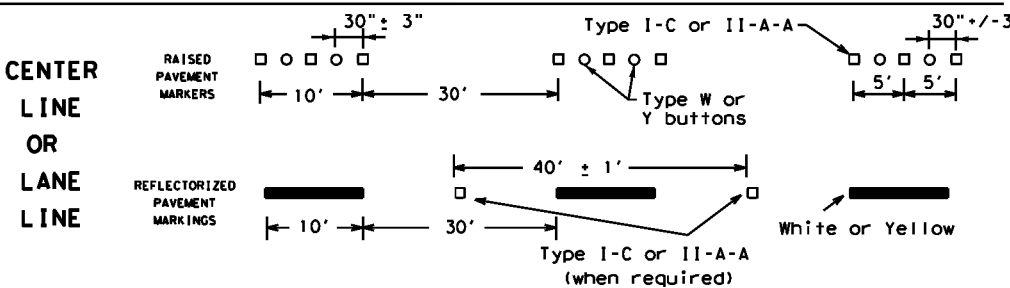
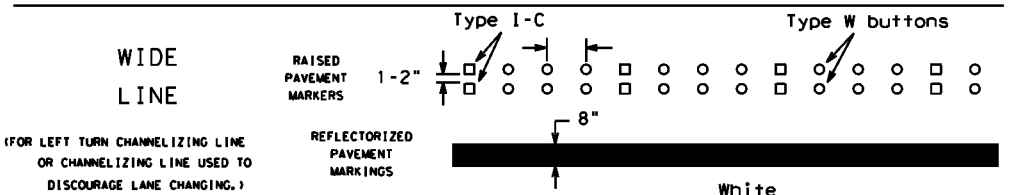
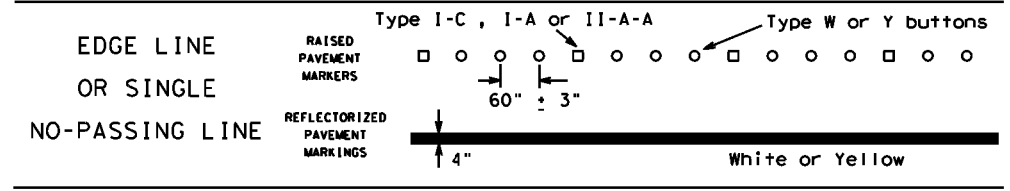
RAISED PAVEMENT MARKERS

TWO-WAY LEFT TURN LANE

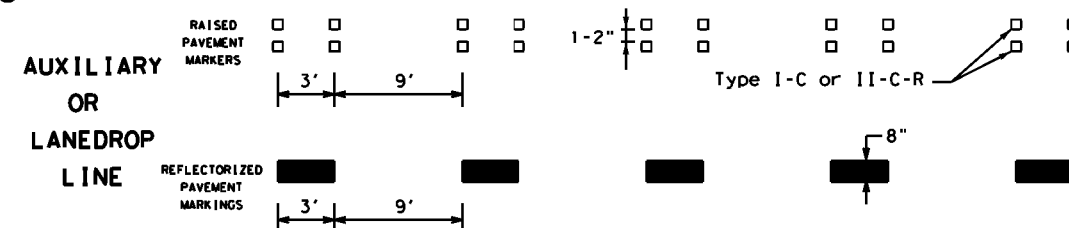
STANDARD WORK ZONE PAVEMENT MARKINGS DETAILS



SOLID LINES

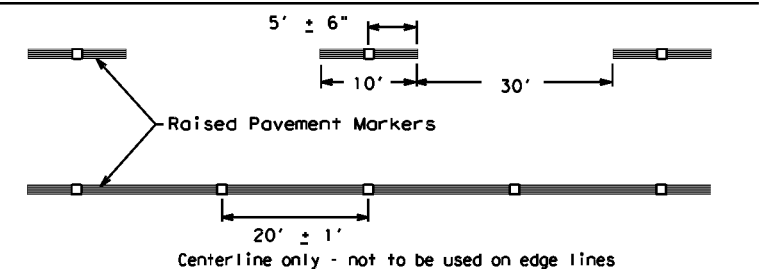


BROKEN LINES



REMOVABLE MARKINGS WITH RAISED PAVEMENT MARKERS

If raised pavement markers are used to supplement REMOVABLE markings, the markers shall be applied to the top of the tape at the approximate mid length of tape used for broken lines or at 20 foot spacing for solid lines. This allows an easier removal of raised pavement markers and tape.



SHEET 12 OF 12



BARRICADE AND CONSTRUCTION PAVEMENT MARKING PATTERNS

BC(12)-21

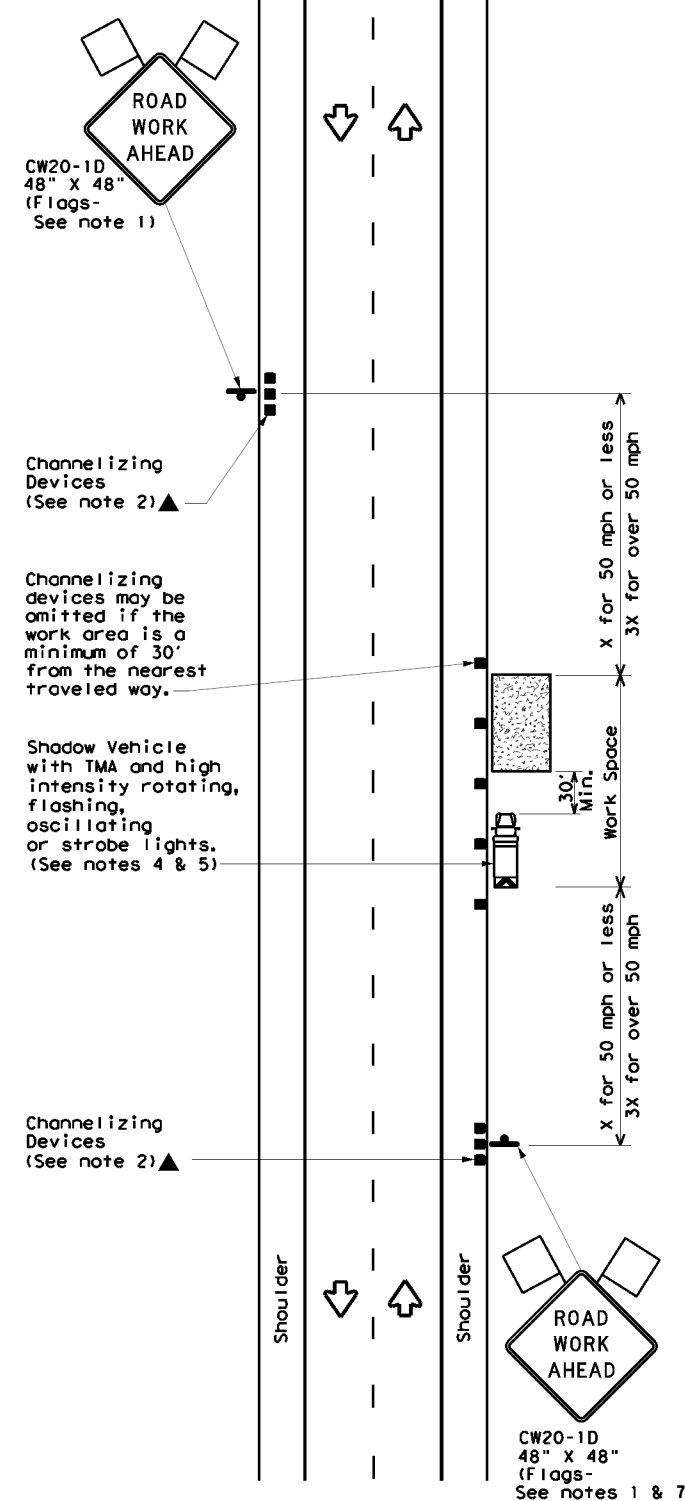
| | | | | |
|-----------------------|------------|---------------|------------|------------------|
| FILE: bc-21.dgn | DWG: TxDOT | CHK: TxDOT | DRW: TxDOT | CR: TxDOT |
| © TxDOT February 1998 | | CONT: 6451 05 | SECT: 001 | JOB: US 69, ETC. |
| REVISIONS | | SHEET NO. | | |
| 1-97 9-07 5-21 | 2-98 7-13 | TYL | SMITH | 17 |
| 11-02 8-14 | | | | |

DISCLAIMER: The use of this standard is governed by the "Texas Engineering Practice Act". No warranty of any kind is made by TXDOT for any purpose whatsoever. TXDOT assumes no responsibility for the conversion of this standard to other formats or for incorrect results or damages resulting from its use.

DATE: 7/20/2023 12:56:59 PM
FILE: D:\txdot\projectwiseonline.com\TXDOT13\Documents\10 - TYL\Maintenance Projects\645105001\1 - Pre-Letting\Design\006-017_bc-21.dgn

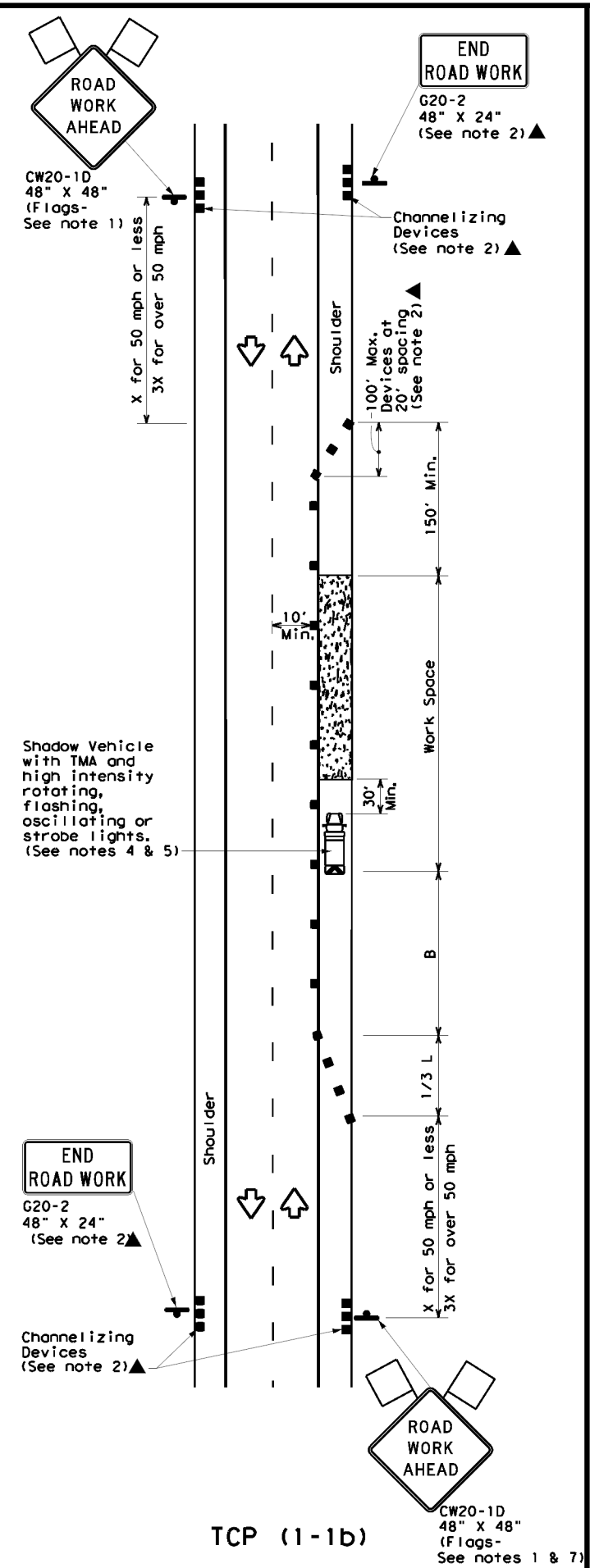
Raised pavement markers used as standard pavement markings shall be from the approved products list and meet the requirements of Item 672 "RAISED PAVEMENT MARKERS."

DATE: 7/18/2023 4:00:08 PM
 FILE: D:\projects\projectwiseonline.com\TXDOT\Documents\10 - TYP\Maintenance\PHS\10-001\10-001.dwg
 DISCLAIMER: The use of this standard is governed by the "Texas Engineering Practice Act". No warranty of any kind is made by TxDOT for any purpose whatsoever. TxDOT assumes no responsibility for the conversion of units or damages resulting from its use.



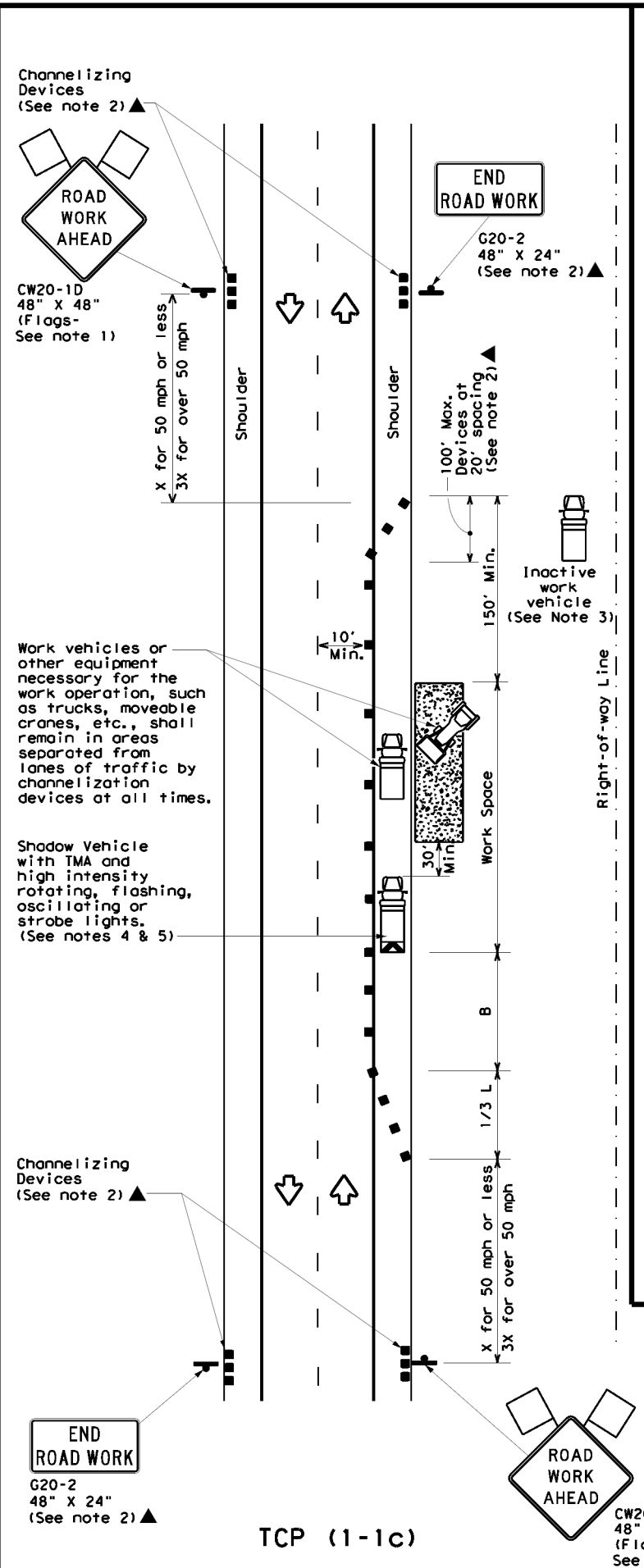
TCP (1-1a)

WORK SPACE NEAR SHOULDER
 Conventional Roads



TCP (1-1b)

WORK SPACE ON SHOULDER
 Conventional Roads



TCP (1-1c)

WORK VEHICLES ON SHOULDER
 Conventional Roads

LEGEND

| | | | |
|--|--------------------------------------|--|---|
| | Type 3 Barricade | | Channelizing Devices |
| | Heavy Work Vehicle | | Truck Mounted Attenuator (TMA) |
| | Trailer Mounted Flashing Arrow Board | | Portable Changeable Message Sign (PCMS) |
| | Sign | | Traffic Flow |
| | Flag | | Flagger |

| Posted Speed * | Formula | Minimum Desirable Taper Lengths ** | | | Suggested Maximum Spacing of Channelizing Devices | | Minimum Sign Spacing "x" Distance | Suggested Longitudinal Buffer Space "B" |
|----------------|--------------------------|------------------------------------|------------|------------|---|--------------|-----------------------------------|---|
| | | 10' Offset | 11' Offset | 12' Offset | On a Taper | On a Tangent | | |
| 30 | L = WS ² / 60 | 150' | 165' | 180' | 30' | 60' | 120' | 90' |
| 35 | | 205' | 225' | 245' | 35' | 70' | 160' | 120' |
| 40 | | 265' | 295' | 320' | 40' | 80' | 240' | 155' |
| 45 | L = WS | 450' | 495' | 540' | 45' | 90' | 320' | 195' |
| 50 | | 500' | 550' | 600' | 50' | 100' | 400' | 240' |
| 55 | | 550' | 605' | 660' | 55' | 110' | 500' | 295' |
| 60 | | 600' | 660' | 720' | 60' | 120' | 600' | 350' |
| 65 | | 650' | 715' | 780' | 65' | 130' | 700' | 410' |
| 70 | | 700' | 770' | 840' | 70' | 140' | 800' | 475' |
| 75 | | 750' | 825' | 900' | 75' | 150' | 900' | 540' |

* Conventional Roads Only
 ** Taper lengths have been rounded off.
 L=Length of Taper (FT) W=Width of Offset (FT) S=Posted Speed (MPH)

TYPICAL USAGE

| MOBILE | SHORT DURATION | SHORT TERM STATIONARY | INTERMEDIATE TERM STATIONARY | LONG TERM STATIONARY |
|--------|----------------|-----------------------|------------------------------|----------------------|
| | ✓ | ✓ | | |

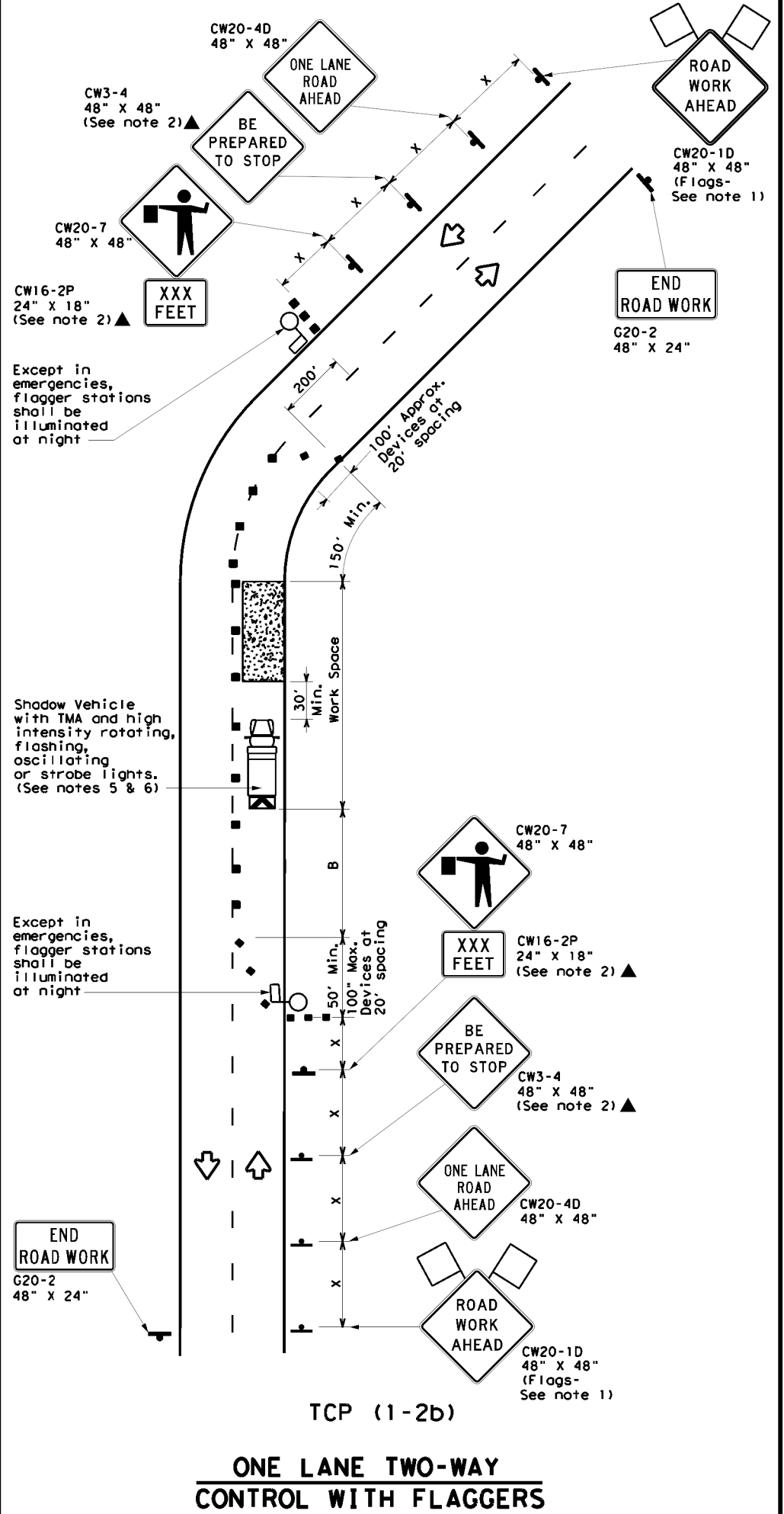
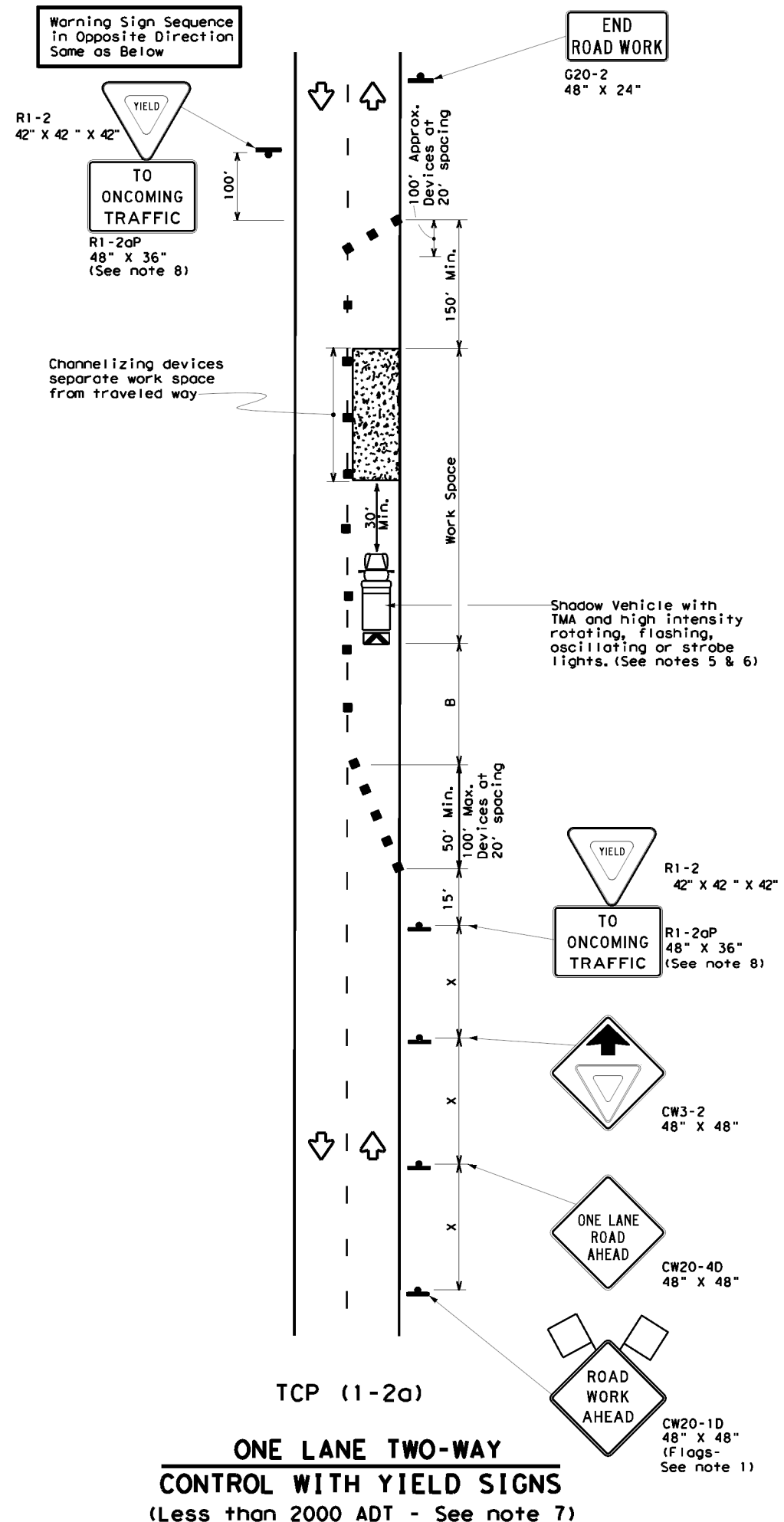
- GENERAL NOTES**
- Flags attached to signs where shown are REQUIRED.
 - All traffic control devices illustrated are REQUIRED, except those denoted with the triangle symbol may be omitted when stated elsewhere in the plans, or for routine maintenance work, when approved by the Engineer.
 - Inactive work vehicles or other equipment should be parked near the right-of-way line and not parked on the paved shoulder.
 - A Shadow Vehicle with a TMA should be used anytime it can be positioned 30 to 100 feet in advance of the area of crew exposure without adversely affecting the performance or quality of the work. If workers are no longer present but road or work conditions require the traffic control to remain in place, Type 3 Barricades or other channelizing devices may be substituted for the Shadow Vehicle and TMA.
 - Additional Shadow Vehicles with TMAs may be positioned off the paved surface, next to those shown in order to protect wider work spaces.
 - See TCP(5-1) for shoulder work on divided highways, expressways and freeways.
 - CW21-5 "SHOULDER WORK" signs may be used in place of CW20-1D "ROAD WORK AHEAD" signs for shoulder work on conventional roadways.

TRAFFIC CONTROL PLAN
CONVENTIONAL ROAD
SHOULDER WORK

TCP (1-1) - 18

| | | | | |
|-----------------------|------|--------|-----------|-------------|
| FILE: tcp1-1-18.dgn | DN: | CK: | DW: | CK: |
| © TxDOT December 1985 | CONT | SECT | JOB | HIGHWAY |
| REVISIONS | 6451 | 05 | 001 | US 69, ETC. |
| 2-94 4-98 | DIST | COUNTY | SHEET NO. | |
| 8-95 2-12 | TYL | SMITH | 18 | |
| 1-97 2-18 | | | | |

DATE: 7/18/2023 4:00:20 PM
 FILE: \\txdot.projectwiseonline.com:TXDOT13\Documents\10 - TYL\Maintenance\10500101\10500101.dwg
 DISCLAIMER: The use of this standard is governed by the "Texas Engineering Practice Act". No warranty of any kind is made by TxDOT for any purpose whatsoever. TxDOT assumes no responsibility for the conversion of units or the accuracy of the information presented herein. Other companies are not responsible for the use of this standard.



LEGEND

| | | | |
|--|--------------------------------------|--|---|
| | Type 3 Barricade | | Channelizing Devices |
| | Heavy Work Vehicle | | Truck Mounted Attenuator (TMA) |
| | Trailer Mounted Flashing Arrow Board | | Portable Changeable Message Sign (PCMS) |
| | Sign | | Traffic Flow |
| | Flag | | Flagger |

| Posted Speed * | Formula | Minimum Desirable Taper Lengths ** | | | Suggested Maximum Spacing of Channelizing Devices | | Minimum Sign Spacing "X" Distance | Suggested Longitudinal Buffer Space "B" | Stopping Sight Distance |
|----------------|--------------------------|------------------------------------|------------|------------|---|--------------|-----------------------------------|---|-------------------------|
| | | 10' Offset | 11' Offset | 12' Offset | On a Taper | On a Tangent | | | |
| 30 | L = WS ² / 60 | 150' | 165' | 180' | 30' | 60' | 120' | 90' | 200' |
| 35 | | 205' | 225' | 245' | 35' | 70' | 160' | 120' | 250' |
| 40 | | 265' | 295' | 320' | 40' | 80' | 240' | 155' | 305' |
| 45 | L = WS | 450' | 495' | 540' | 45' | 90' | 320' | 195' | 360' |
| 50 | | 500' | 550' | 600' | 50' | 100' | 400' | 240' | 425' |
| 55 | | 550' | 605' | 660' | 55' | 110' | 500' | 295' | 495' |
| 60 | | 600' | 660' | 720' | 60' | 120' | 600' | 350' | 570' |
| 65 | | 650' | 715' | 780' | 65' | 130' | 700' | 410' | 645' |
| 70 | | 700' | 770' | 840' | 70' | 140' | 800' | 475' | 730' |
| 75 | | 750' | 825' | 900' | 75' | 150' | 900' | 540' | 820' |

* Conventional Roads Only
 ** Taper lengths have been rounded off.
 L=Length of Taper (FT) W=Width of Offset (FT) S=Posted Speed (MPH)

TYPICAL USAGE

| MOBILE | SHORT DURATION | SHORT TERM STATIONARY | INTERMEDIATE TERM STATIONARY | LONG TERM STATIONARY |
|--------|----------------|-----------------------|------------------------------|----------------------|
| | ✓ | ✓ | | |

GENERAL NOTES

- Flags attached to signs where shown are REQUIRED.
 - All traffic control devices illustrated are REQUIRED, except those denoted with the triangle symbol may be omitted when stated elsewhere in the plans, or for routine maintenance work, when approved by the Engineer.
 - The CW3-4 "BE PREPARED TO STOP" sign may be installed after the CW20-4D "ONE LANE ROAD AHEAD" sign, but proper sign spacing shall be maintained.
 - Sign spacing may be increased or an additional CW20-1D "ROAD WORK AHEAD" sign may be used if advance warning ahead of the flagger or R1-2 "YIELD" sign is less than 100 feet.
 - A Shadow Vehicle with a TMA should be used anytime it can be positioned 30 to 100 feet in advance of the area of crew exposure without adversely affecting the performance or quality of the work. If workers are no longer present but road or work conditions require the traffic control to remain in place, Type 3 Barricades or other channelizing devices may be substituted for the Shadow Vehicle and TMA.
 - Additional Shadow Vehicles with TMAs may be positioned off the paved surface, next to those shown in order to protect wider work spaces.
- TCP (1-2a)**
- R1-2 "YIELD" sign traffic control may be used on projects with approaches that have adequate sight distance. For projects in urban areas, work spaces should be no longer than one half city block. In rural areas on roadways with less than 2000 ADT, work spaces should be no longer than 400 feet.
 - R1-2 "YIELD" sign with R1-2aP "TO ONCOMING TRAFFIC" plaque shall be placed on a support at a 7 foot minimum mounting height.
- TCP (1-2b)**
- Flaggers should use two-way radios or other methods of communication to control traffic.
 - Length of work space should be based on the ability of flaggers to communicate.
 - If the work space is located near a horizontal or vertical curve, the buffer distances should be increased in order to maintain adequate stopping sight distance to the flagger and a queue of stopped vehicles (see table above).
 - Channelizing devices on the center-line may be omitted when a pilot car is leading traffic and approved by the Engineer.
 - Flaggers should use 24" STOP/SLOW paddles to control traffic. Flags should be limited to emergency situations.

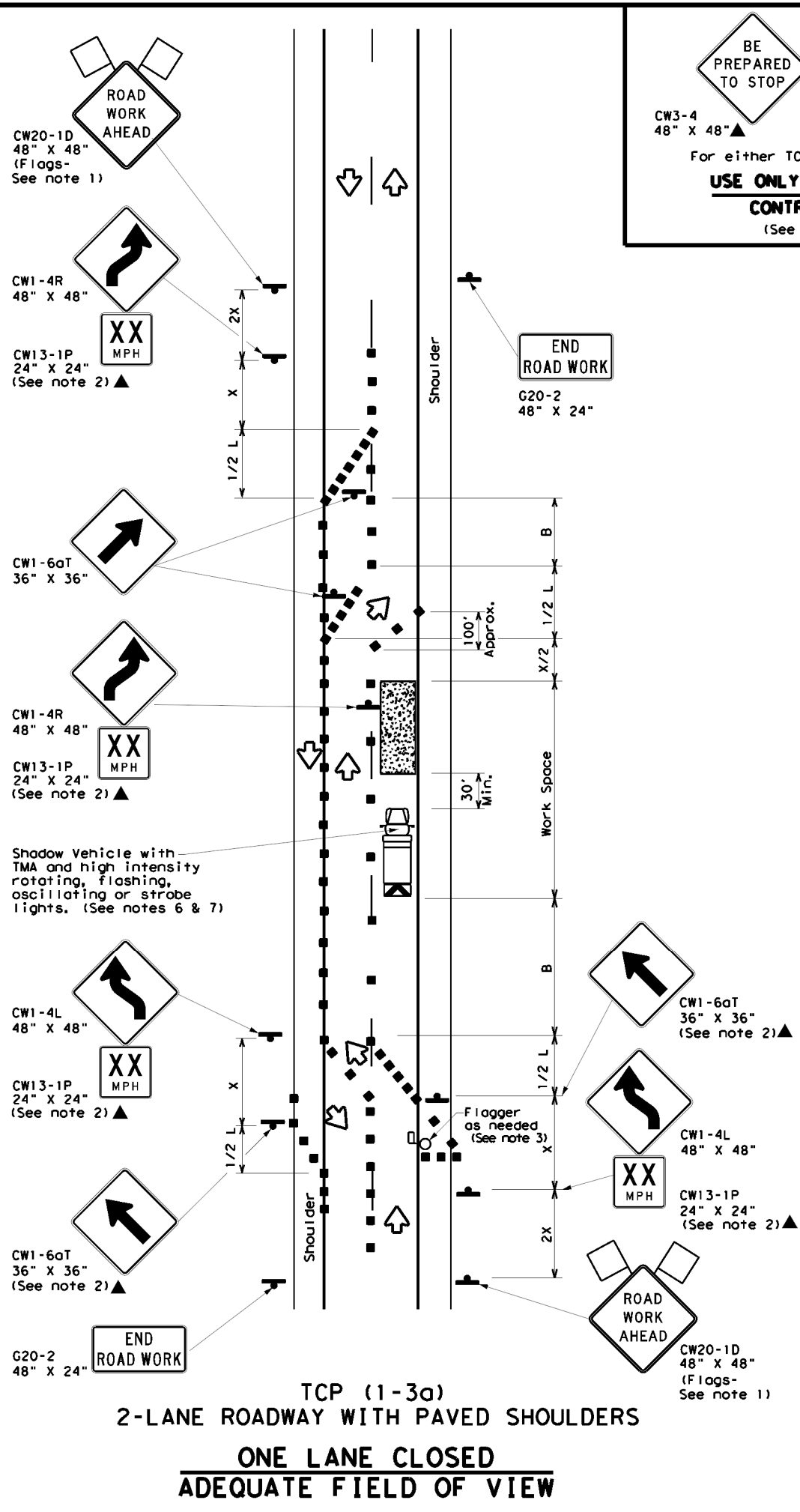
Texas Department of Transportation
 Traffic Operations Division Standard

TRAFFIC CONTROL PLAN
ONE-LANE TWO-WAY
TRAFFIC CONTROL

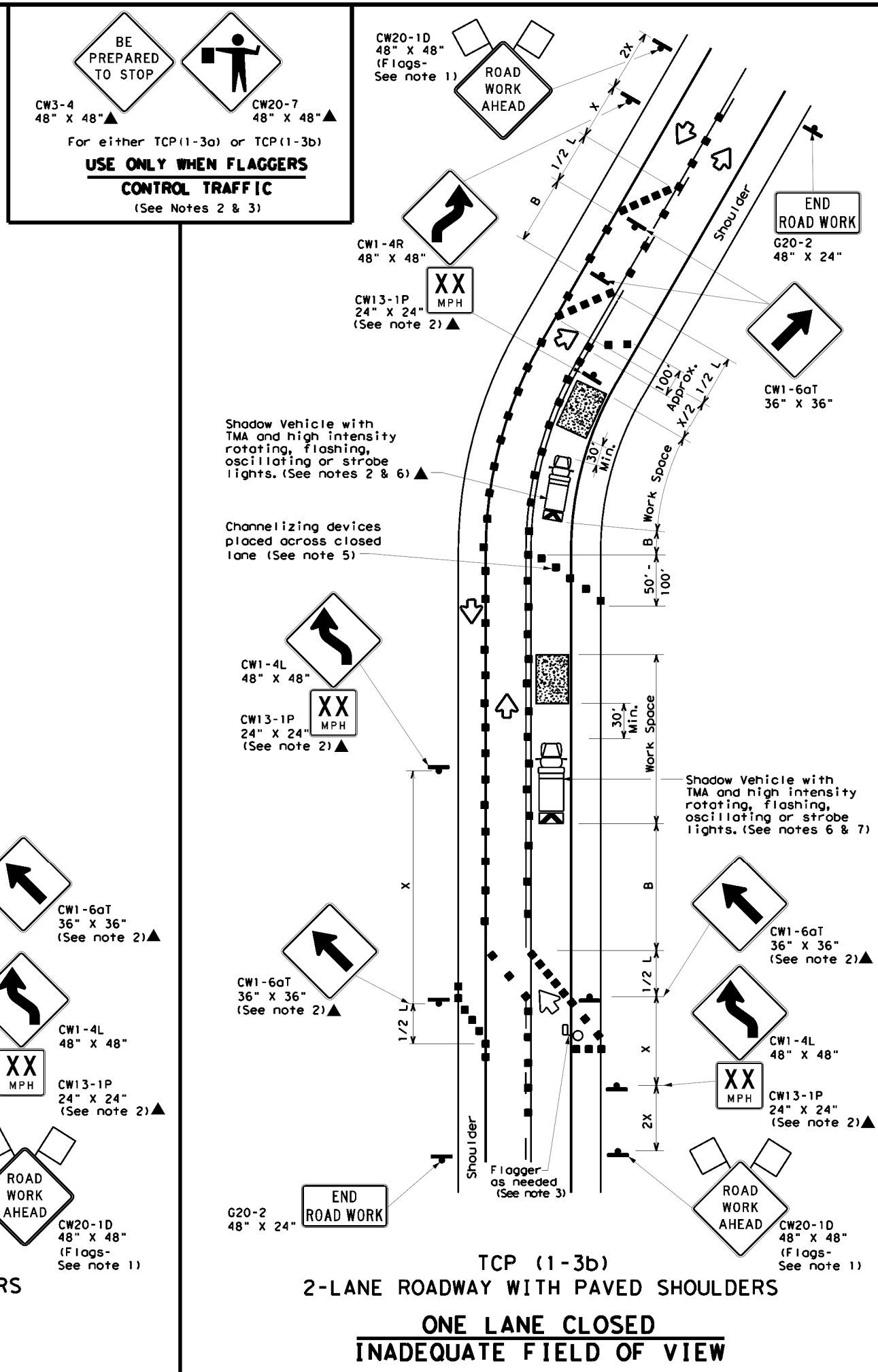
TCP (1-2) - 18

| | | | | |
|-----------------------|----------------|--------------|----------|------------|
| FILE: fcp1-2-18.dgn | DATE: 12/15/85 | CHK: [] | DWG: [] | CK: [] |
| © TxDOT December 1985 | | CONT: 6451 | SECT: 05 | JOB: 001 |
| REVISIONS: | | DIST: COUNTY | | SHEET NO.: |
| 4-90 4-98 | 2-94 2-12 | TYL SMITH | | 19 |

DATE: 7/18/2023 4:00:33 PM
 FILE: D:\txdot\project\wiseonline.com\TXDOT3\Documents\10 - TYL\Maintenance\PHS\etcp1-3-18.dgn
 DISCLAIMER: The use of this standard is governed by the "Texas Engineering Practice Act". No warranty of any kind is made by TxDOT for any purpose whatsoever. TxDOT assumes no responsibility for the conversion of units or for any errors or omissions resulting from its use.



TCP (1-3a)
2-LANE ROADWAY WITH PAVED SHOULDERS
ONE LANE CLOSED
ADEQUATE FIELD OF VIEW



TCP (1-3b)
2-LANE ROADWAY WITH PAVED SHOULDERS
ONE LANE CLOSED
INADEQUATE FIELD OF VIEW

BE PREPARED TO STOP
USE ONLY WHEN FLAGGERS CONTROL TRAFFIC
 (See Notes 2 & 3)

| LEGEND | | | |
|--------|--------------------------------------|--|---|
| | Type 3 Barricade | | Channelizing Devices |
| | Heavy Work Vehicle | | Truck Mounted Attenuator (TMA) |
| | Trailer Mounted Flashing Arrow Board | | Portable Changeable Message Sign (PCMS) |
| | Sign | | Traffic Flow |
| | Flag | | Flagger |

| Posted Speed * | Formula | Minimum Desirable Taper Lengths ** | | | Suggested Maximum Spacing of Channelizing Devices | | Minimum Sign Spacing "X" Distance | Suggested Longitudinal Buffer Space "B" |
|----------------|-----------|------------------------------------|------------|------------|---|--------------|-----------------------------------|---|
| | | 10' Offset | 11' Offset | 12' Offset | On a Taper | On a Tangent | | |
| 30 | L = WS/60 | 150' | 165' | 180' | 30' | 60' | 120' | 90' |
| 35 | | 205' | 225' | 245' | 35' | 70' | 160' | 120' |
| 40 | | 265' | 295' | 320' | 40' | 80' | 240' | 155' |
| 45 | L = WS | 450' | 495' | 540' | 45' | 90' | 320' | 195' |
| 50 | | 500' | 550' | 600' | 50' | 100' | 400' | 240' |
| 55 | | 550' | 605' | 660' | 55' | 110' | 500' | 295' |
| 60 | | 600' | 660' | 720' | 60' | 120' | 600' | 350' |
| 65 | | 650' | 715' | 780' | 65' | 130' | 700' | 410' |
| 70 | | 700' | 770' | 840' | 70' | 140' | 800' | 475' |
| 75 | | 750' | 825' | 900' | 75' | 150' | 900' | 540' |

* Conventional Roads Only
 ** Taper lengths have been rounded off.
 L=Length of Taper (FT) W=Width of Offset (FT) S=Posted Speed (MPH)

| TYPICAL USAGE | | | | |
|---------------|----------------|-----------------------|------------------------------|----------------------|
| MOBILE | SHORT DURATION | SHORT TERM STATIONARY | INTERMEDIATE TERM STATIONARY | LONG TERM STATIONARY |
| | ✓ | ✓ | | |

- GENERAL NOTES**
- Flags attached to signs where shown are REQUIRED.
 - All traffic control devices illustrated are REQUIRED, except those denoted with the triangle symbol may be omitted where stated elsewhere in the plans, or for routine maintenance work, when approved by the Engineer.
 - Flagger control should NOT be used unless roadway conditions or heavy traffic volume require additional emphasis to safely control traffic. Additional flaggers may be positioned in advance of traffic queues to alert traffic to reduce speed.
 - DO NOT PASS, PASS WITH CARE and construction regulatory speed zone signs may be installed downstream of the ROAD WORK AHEAD signs.
 - When the work zone is made up of several work spaces, channelizing devices should be placed laterally across the closed lane to re-emphasize closure. Laterally placed channelizing devices should be repeated every 500 to 1000 feet in urban areas and every 1/4 to 1/2 mile in rural areas.
 - A Shadow Vehicle with a TMA should be used anytime it can be positioned 30 to 100 feet in advance of the area of crew exposure without adversely affecting the performance or quality of the work. If workers are no longer present but road or work conditions require the traffic control to remain in place, Type 3 Barricades or other channelizing devices may be substituted for the Shadow Vehicle and TMA.
 - Additional Shadow Vehicles with TMAs may be positioned off the paved surface, next to those shown in order to protect wider work spaces.
 - Where traffic is directed over a yellow centerline, channelizing devices which separate two-way traffic should be spaced on tapers at 20', or 15' if posted speed are 35 mph or slower, and for tangent sections, at 1/2S where S is the speed in mph. This tighter device spacing is intended for the area of conflicting markings not the entire work zone.

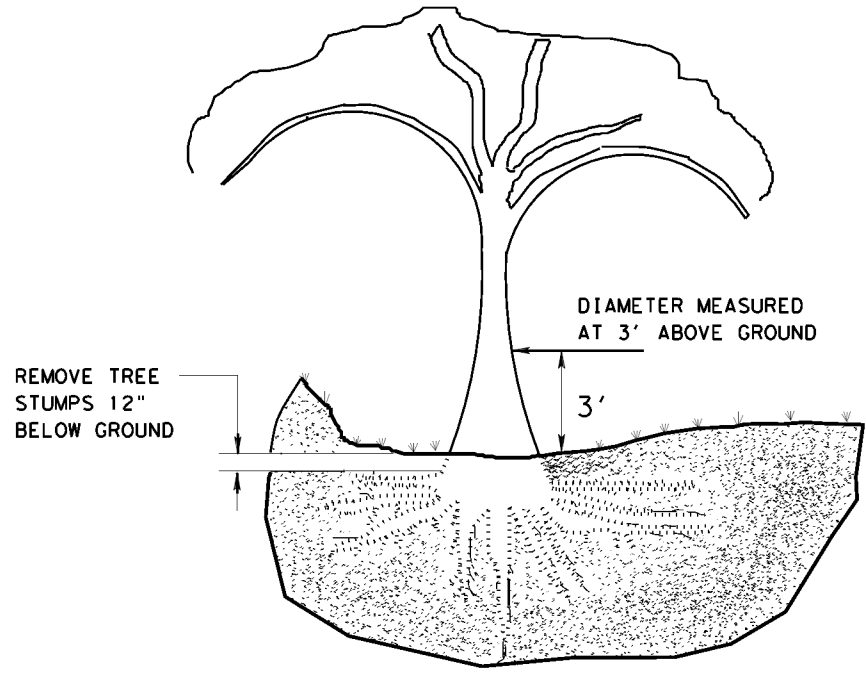
Texas Department of Transportation
 Traffic Operations Division Standard

TRAFFIC CONTROL PLAN
TRAFFIC SHIFTS ON
TWO LANE ROADS
TCP (1-3)-18

| | | | | |
|-----------------------|----------|------------|------------------|--------------|
| FILE: tcp1-3-18.dgn | CONT: 05 | SECT: 001 | JOB: US 69, ETC. | CK: DW: CK: |
| © TxDOT December 1985 | | REVISIONS: | 6451 | 05 |
| 2-94 | 4-98 | | | |
| 8-95 | 2-12 | | | |
| 1-97 | 2-18 | | | |
| TYL | SMITH | | | SHEET NO. 20 |

DISCLAIMER: The use of this standard is governed by the "Texas Engineering Practice Act". No warranty of any kind is made by TxDOT for any purpose whatsoever. TxDOT assumes no responsibility for the conversion of units or for any errors, omissions, or other consequences resulting from its use.

7/21/2023 4:10:36 PM
 D:\projects\projectw\seon\line.com:TXDOT13\Documents\10 - TYL\Maintenance\PHS\645105\Other\Forms\TRB-15(1).docx

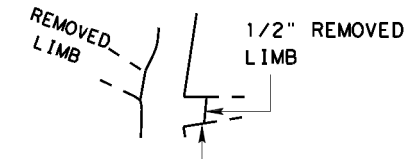


TREE REMOVAL

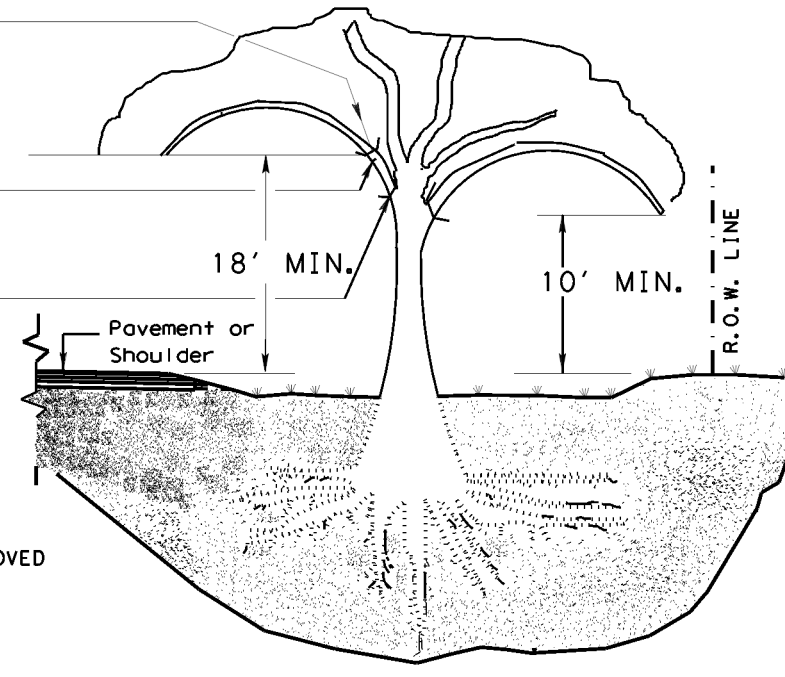
STEP 1:
 CUT 1/3 WAY THROUGH BOTTOM OF LIMB 8" TO 12" ABOVE MAIN STEM (OR TRUNK).

STEP 2:
 REMOVE LIMB 4" TO 6" BEYOND THE FIRST CUT

STEP 3:
 REMOVE STUB WITH A SMOOTH CUT SO THAT TRACE COLLAR OF THE REMOVED LIMB PROTRUDES APPROXIMATELY 1/2" FROM THE MAIN STEM

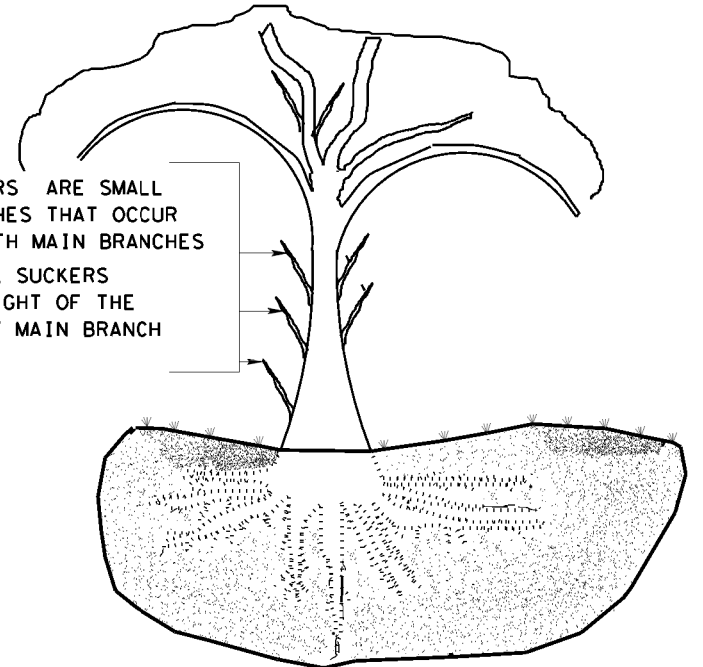


EXAMPLE 1/2" PROTRUDING COLLAR

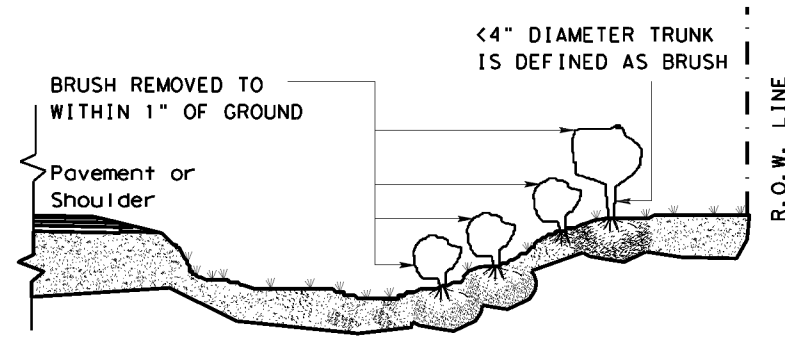


TREE TRIMMING

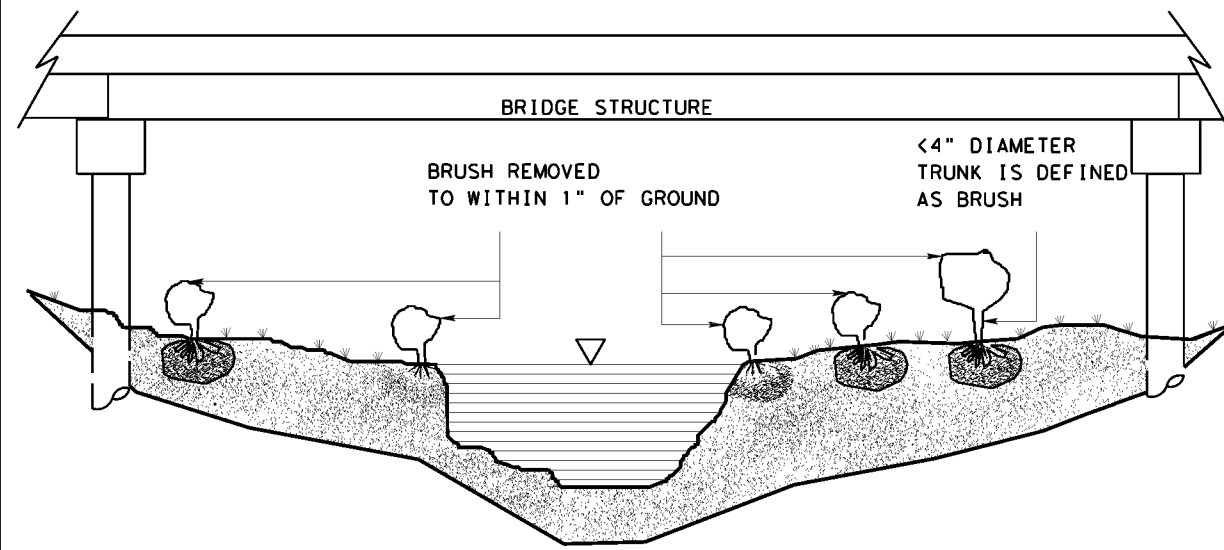
SUCKERS ARE SMALL BRANCHES THAT OCCUR BENEATH MAIN BRANCHES. REMOVE SUCKERS TO HEIGHT OF THE LOWEST MAIN BRANCH



STEPS 1, 2 AND 3 APPLY WHEN REMOVING LIMBS 2" IN DIAMETER OR LARGER.



BRUSH REMOVAL



BRUSH REMOVAL UNDER BRIDGE AND IN CHANNEL

GENERAL NOTES:

TREE TRIMMING

1. TRIM AND REMOVE ALL TREE LIMBS ON THE PAVEMENT SIDE OF THE TRUNK 18' ABOVE THE PAVEMENT OR BRIDGE DECK ELEVATION, UNLESS OTHERWISE SHOWN ON THE PLANS.
2. TRIM AND REMOVE ALL TREE LIMBS BETWEEN THE TRUNK AND R.O.W. LINE 10' ABOVE NATURAL GROUND, TERRAIN OR OTHER STRUCTURE ELEVATION, UNLESS OTHERWISE SHOWN ON THE PLANS.

TREE REMOVAL

3. FOR TREES MARKED FOR REMOVAL, THE DIAMETER OF TREES ARE DETERMINED BY MEASUREMENT OF THE TRUNK CIRCUMFERENCE 3' ABOVE THE GROUND. TREES WITH TRUNKS OF LESS THAN 4" DIAMETER ARE CONSIDERED TO BE BRUSH. TREES WITH MULTIPLE TRUNKS AT THE POINT OF MEASUREMENT ARE MEASURED AND PAID FOR SEPARATELY.
4. MEASUREMENTS FOR PAYMENT OF TREE DIAMETERS ARE DIVIDED INTO THE RANGES SHOWN IN TABLE 1.

| TABLE 1 TREE TRUNK SIZE FOR TREE REMOVAL PAYMENT | | | | |
|---|-----------------------------|--------------------------------------|-----------------------------|--------------------------------------|
| PAY ITEM | RANGE FOR PAY ITEMS | | | |
| | TRUNK DIAMETER * | | TRUNK CIRCUMFERENCE | |
| | LOWER LIMIT IS GREATER THAN | UPPER LIMIT IS LESS THAN OR EQUAL TO | LOWER LIMIT IS GREATER THAN | UPPER LIMIT IS LESS THAN OR EQUAL TO |
| 752 6005 | 4 | 12 | 12 1/2 | 37 1/2 |
| 752 6006 | 12 | 18 | 37 1/2 | 56 1/2 |
| 752 6007 | 18 | 24 | 56 1/2 | 75 1/2 |
| 752 6008 | 24 | 30 | 75 1/2 | 94 |
| 752 6009 | 30 | 36 | 94 | 113 |
| 752 6010 | 36 | 42 | 113 | 132 |
| 752 6011 | 42 | 48 | 132 | 151 |
| 752 6012 | 48 | 60 | 151 | 188 1/2 |
| 752 6013 | 60 | 72 | 188 1/2 | 226 |
| 752 6019 | 72 | 84 | 226 | 264 |
| | 84 | GREATER THAN 84 | 264 | NOT APPLICABLE |

*SEE GENERAL NOTE #3.



TREE AND BRUSH REMOVAL
 TRB-15(1)

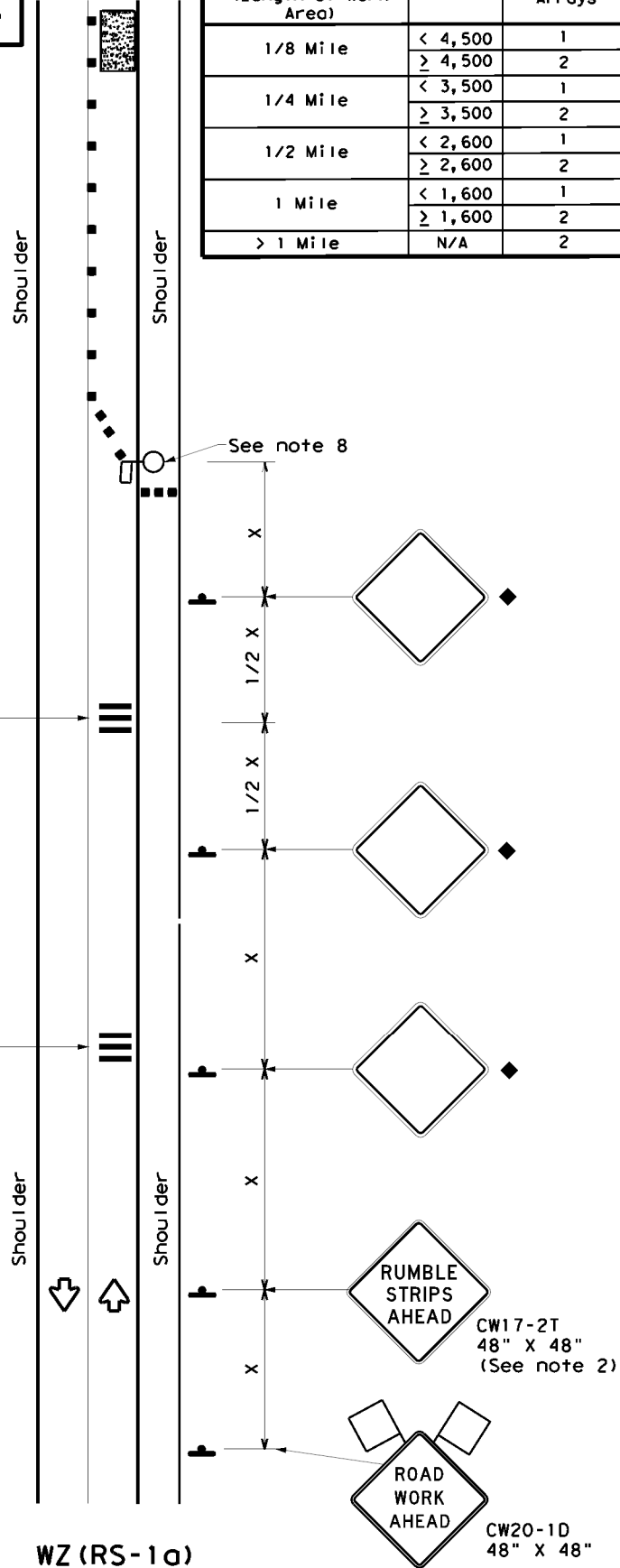
SHEET 1 OF 2

| | | | | |
|--------------------|------------|---------------|------------|----------------------|
| FILE: | DIV: JEO | CHK: LJB | DWG: JEO | CHK: |
| © TXDOT MARCH 2015 | CONT: 6451 | SECT: 05 | JOB: 001 | HIGHWAY: US 69, ETC. |
| REVISIONS | DIST: TYL | COUNTY: SMITH | SHEET NO.: | 21 |

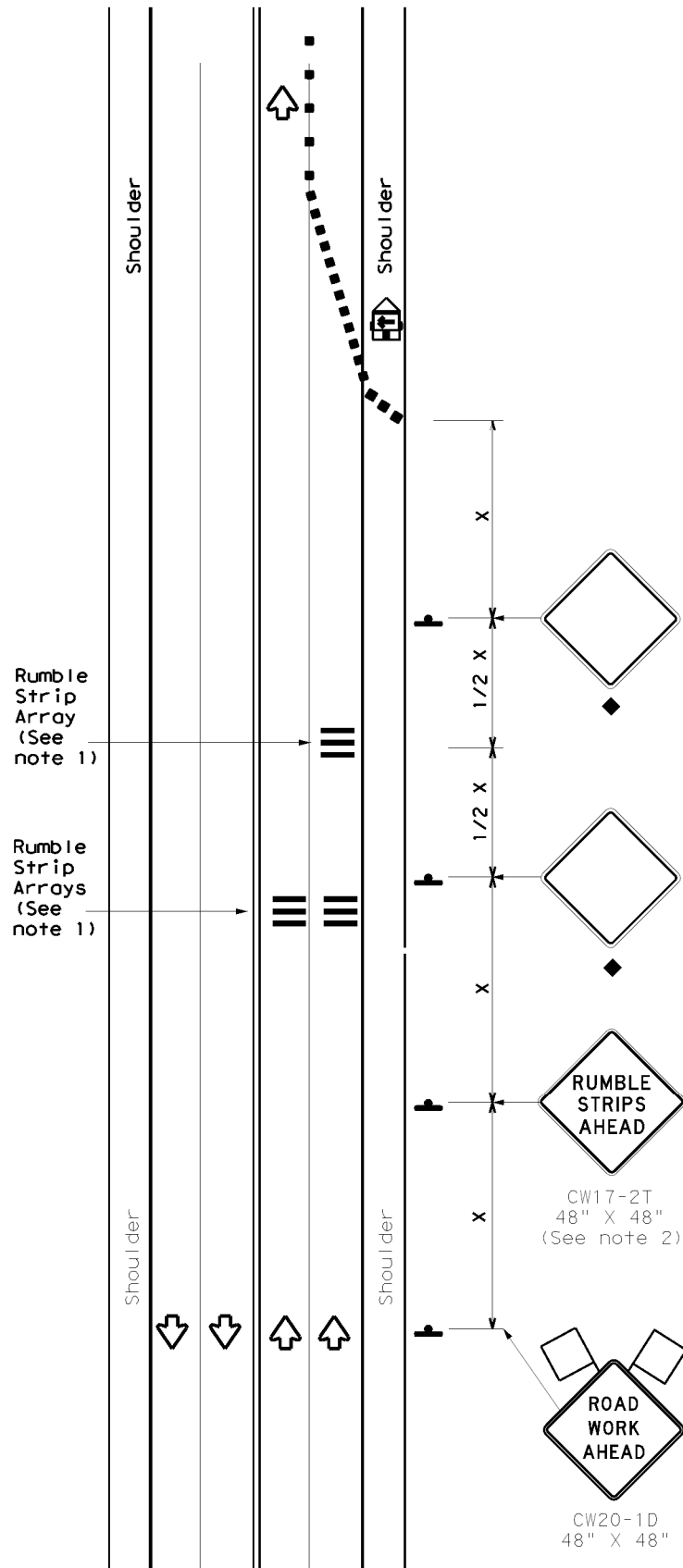
DATE: 7/18/2023 4:01:00 PM
 FILE: P:\txdot\projectwiseonline.com\TXDOT13\Documents\10 - TYL\Maintenance\PHS\et-110g\Design\02\517522.dwg
 DISCLAIMER: The use of this standard is governed by the "Texas Engineering Practice Act". No warranty of any kind is made by TxDOT for any purpose whatsoever. TxDOT assumes no responsibility for the conversion of any kind of units or for any other errors or omissions resulting from its use.

Warning sign and rumble strip sequence in opposite direction is same as below.

| Flagger to Flagger (Length of Work Area) | ADT | # of Rumble Strip Arrays |
|--|---------|--------------------------|
| 1/8 Mile | < 4,500 | 1 |
| | ≥ 4,500 | 2 |
| 1/4 Mile | < 3,500 | 1 |
| | ≥ 3,500 | 2 |
| 1/2 Mile | < 2,600 | 1 |
| | ≥ 2,600 | 2 |
| 1 Mile | < 1,600 | 1 |
| | ≥ 1,600 | 2 |
| > 1 Mile | N/A | 2 |



RUMBLE STRIPS ON ONE-LANE TWO-WAY APPLICATION



RUMBLE STRIPS FOR LANE CLOSURE ON CONVENTIONAL ROADWAY

GENERAL NOTES

- Each Rumble Strip Array should consist of three rumble strips spaced center to center at the spacing shown in Table 2, placed transverse across the lane at locations shown.
- The CW17-2T "RUMBLE STRIPS AHEAD" sign should be located after the CW20-1D "ROAD WORK AHEAD" sign and spaced as shown. If traffic is observed to be queuing, or is expected to queue beyond the Rumble Strips, the CW17-2T sign and the first Rumble Strip Array may be located upstream of the CW20-1D sign as necessary to provide needed warning.
- Temporary Rumble Strips will be considered subsidiary to Item 502, and shall be a product listed on the Compliant Work Zone Traffic Control Devices.
- Remove Temporary Rumble Strips before removing the advanced warning signs.
- Temporary Rumble Strips should not be used on horizontal curves, loose gravel, soft or bleeding asphalt, heavily rutted pavements or unpaved surfaces.
- Temporary Rumble Strips shall be installed and maintained as per manufacturer's recommendations.
- This standard sheet shall be used in conjunction with other appropriate TCP standard, TMUTCD typical application or project specific detail for the project.
- The one-lane two-way application may utilize a flagger, an Automated Flagger Assistance Device (AFAD) or a Portable Traffic Signal (PTS).
- Replace defective Temporary Rumble Strips as directed by the Engineer.
- Temporary Rumble Strips may be used on freeways or expressways based on engineering judgment and written direction from the Engineer.

| Speed | Approximate distance between strips in an array |
|---------------------|---|
| ≤ 40 MPH | 10' |
| > 40 MPH & ≤ 55 MPH | 15' |
| = 60 MPH | 20' |
| ≥ 65 MPH | * 35' + |

| | | | |
|--|--------------------------------------|--|---|
| | Type 3 Barricade | | Channelizing Devices |
| | Heavy Work Vehicle | | Truck Mounted Attenuator (TMA) |
| | Trailer Mounted Flashing Arrow Panel | | Portable Changeable Message Sign (PCMS) |
| | Sign | | Traffic Flow |
| | Flag | | Flagger |

| Posted Speed * | Formula | Minimum Desirable Taper Lengths ** | | | Suggested Maximum Spacing of Channelizing Devices | | Minimum Sign Spacing "X" Distance | Suggested Longitudinal Buffer Space "B" |
|----------------|--------------------------|------------------------------------|------------|------------|---|--------------|-----------------------------------|---|
| | | 10' Offset | 11' Offset | 12' Offset | On a Taper | On a Tangent | | |
| 30 | L = WS ² / 60 | 150' | 165' | 180' | 30' | 60' | 120' | 90' |
| 35 | | 205' | 225' | 245' | 35' | 70' | 160' | 120' |
| 40 | | 265' | 295' | 320' | 40' | 80' | 240' | 155' |
| 45 | L = WS | 450' | 495' | 540' | 45' | 90' | 320' | 195' |
| 50 | | 500' | 550' | 600' | 50' | 100' | 400' | 240' |
| 55 | | 550' | 605' | 660' | 55' | 110' | 500' | 295' |
| 60 | | 600' | 660' | 720' | 60' | 120' | 600' | 350' |
| 65 | | 650' | 715' | 780' | 65' | 130' | 700' | 410' |
| 70 | | 700' | 770' | 840' | 70' | 140' | 800' | 475' |
| 75 | | 750' | 825' | 900' | 75' | 150' | 900' | 540' |

* Conventional Roads Only
 ** Taper lengths have been rounded off.
 L=Length of Taper (FT) W=Width of Offset (FT)
 S=Posted Speed (MPH)

| MOBILE | SHORT DURATION | SHORT TERM STATIONARY | INTERMEDIATE TERM STATIONARY | LONG TERM STATIONARY |
|--------|----------------|-----------------------|------------------------------|----------------------|
| | ✓ | ✓ | | |

◆ Signs are for illustrative purposes only. Signs required may vary depending on the TCP, TMUTCD Typical Application, or project specific details for the project.
 * For posted speeds in excess of 65 MPH, it is recommended that spacing is increased as speed limits increase. Increasing space between rumble strips will improve effectiveness.

Texas Department of Transportation
 Traffic Safety Division Standard

TEMPORARY RUMBLE STRIPS

WZ (RS) - 22

| | | | | |
|-----------------------|-----------|-----------|-----------|-------------|
| FILE: wzrs22.dgn | DN: TxDOT | CK: TxDOT | DW: TxDOT | CK: TxDOT |
| © TxDOT November 2012 | CONT | SECT | JOB | HIGHWAY |
| REVISIONS | 6451 | 05 | 001 | US 69, ETC. |
| 2-14 1-22 | DIST | COUNTY | SHEET NO. | |
| 4-16 | TYL | SMITH | 23 | |

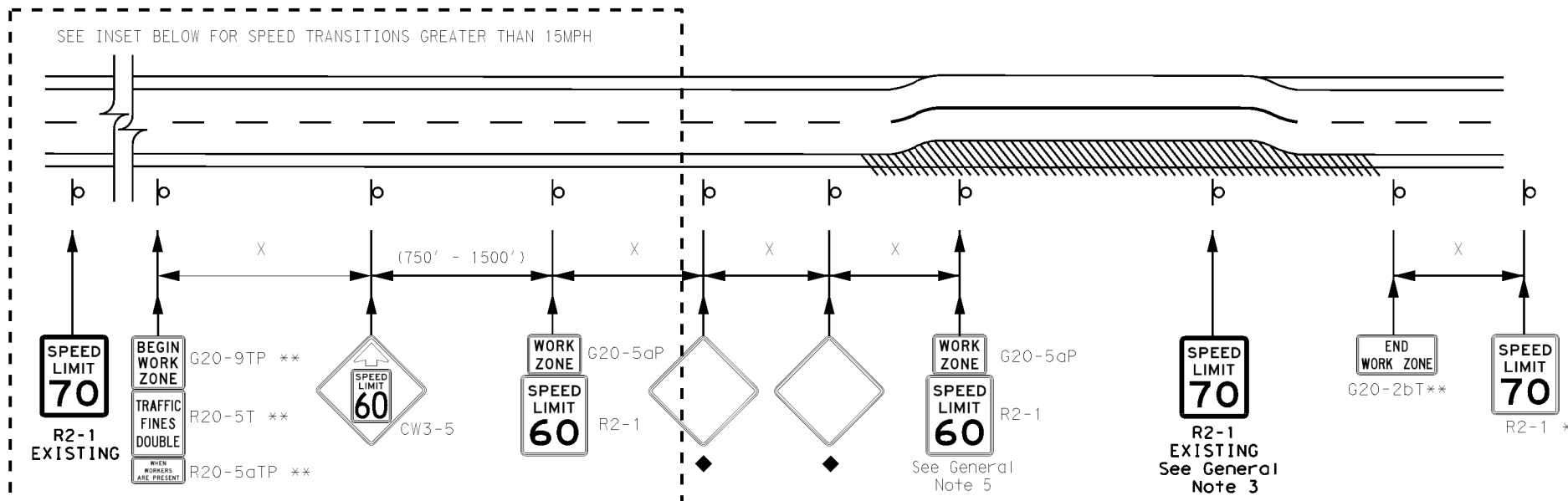
TYPICAL APPLICATION OF MAINTENANCE WORK ZONE SPEED LIMIT SIGNS

DISCLAIMER: The use of this standard is governed by the "Texas Engineering Practice Act". No warranty of any kind is made by TxDOT for any purpose whatsoever. TxDOT assumes no responsibility for the conversion of this standard to metric units or for any other errors or omissions resulting from its use.

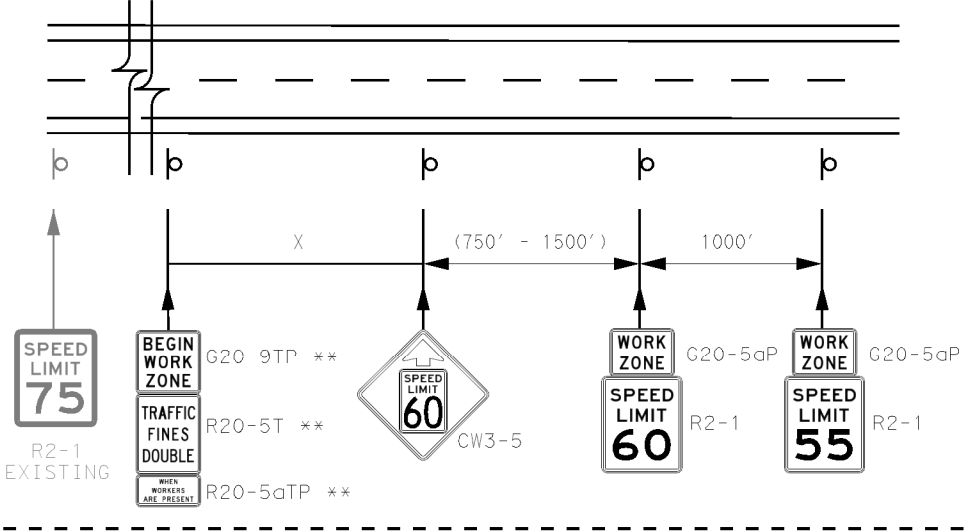
7/20/2023 12:51:02 PM
Pw://txdot.projectwiseonline.com:TXDOT3/Documents/10 - TYP/Maintenance/PHS/102404105/001/105001.dwg

Signing shown for one direction only.

Remove all temporary speed limit signs and concealments of permanent speed limit signs when the maintenance activity has been completed and equipment has been removed from the activity site.



ALTERNATE SIGNING FOR TRANSITION OF SPEED ZONES GREATER THAN 15MPH DROP IN SPEED



- * At the end of the maintenance work zone place a sign indicating the speed limit after the temporary zone ends.
- ** Signs should not be installed for mobile operations.

◆ Signs are for illustrative purposes only. Signs and sign spacing requirements may vary depending on the TCP, TMTUCD Typical Application, or project specific details for the project.

GENERAL NOTES

- Signs may be skid mounted for long term or intermediate term work durations. Roll up signs may be used for short term, short duration or mobile operations.
- Reduced speeds shall only be posted in the vicinity of work activity and not throughout the entire maintenance work area.
- Cover all permanent speed limit signs within the work area that conflict with the temporary reduced speed limit. Advisory speed plaques on warning signs within the work area are not required by law to be covered.
- Speed zone signs are illustrated for one direction of travel and are normally posted for each direction of travel.
- Frequency of maintenance work zone speed limit signs should be:
 - a. 40 mph and greater 0.2 to 2 miles
 - b. 35 mph and less 0.2 to 1 mile
- Regulatory speed limit signs shall have black legend and border on a white reflective background (See "Reflective Sheeting" on BC(4)).
- Turning signs from view or laying signs over or down will not be allowed, unless as otherwise noted under "REMOVING OR COVERING" on BC(4).
- Speeds shown on details above are for illustration only. Maintenance work zone speed limits shall only be posted as approved for each highway maintenance activity work zone.
- For more specific guidance concerning the type of work, work zone conditions and factors impacting allowable regulatory maintenance speed zone reduction see TxDOT form #1204M available from TRF.

| Posted Speed * | Formula | Minimum Desirable Taper Lengths ** | | | Suggested Maximum Spacing of Channelizing Devices | | Minimum Sign Spacing "x" Distance | Suggested Longitudinal Buffer Space "B" |
|----------------|-------------------------|------------------------------------|------------|------------|---|--------------|-----------------------------------|---|
| | | 10' Offset | 11' Offset | 12' Offset | On a Taper | On a Tangent | | |
| 30 | L = WS ² /60 | 150' | 165' | 180' | 30' | 60' | 120' | 90' |
| 35 | | 205' | 225' | 245' | 35' | 70' | 160' | 120' |
| 40 | | 265' | 295' | 320' | 40' | 80' | 240' | 155' |
| 45 | | 450' | 495' | 540' | 45' | 90' | 320' | 195' |
| 50 | L = WS | 500' | 550' | 600' | 50' | 100' | 400' | 240' |
| 55 | | 550' | 605' | 660' | 55' | 110' | 500' | 295' |
| 60 | | 600' | 660' | 720' | 60' | 120' | 600' | 350' |
| 65 | | 650' | 715' | 780' | 65' | 130' | 700' | 410' |
| 70 | | 700' | 770' | 840' | 70' | 140' | 800' | 475' |
| 75 | | 750' | 825' | 900' | 75' | 150' | 900' | 540' |

* Conventional Roads Only
 ** Taper lengths have been rounded off.
 L=Length of Taper (FT) W=Width of Offset (FT)
 S=Posted Speed (MPH)

DURATION OF WORK

- As defined by the "Texas Manual on Uniform Traffic Control Devices" Part 6.
- The types of sign supports, sign mounting height, the size of signs, and the type of sign substrates can vary based on the type of work being performed. The Engineer is responsible for selecting the appropriate size sign for the type of work being performed. The Contractor is responsible for ensuring the sign support, sign mounting height and substrate meets manufacturer's recommendations in regard to crashworthiness and duration of work requirements.
 - Long-term stationary - work that occupies a location more than 3 days.
 - Intermediate-term stationary - work that occupies a location more than one daylight period up to 3 days, or nighttime work lasting more than one hour.
 - Short-term stationary - daytime work that occupies a location for more than 1 hour in a single daylight period.
 - Short, duration - work that occupies a location up to 1 hour.
 - Mobile - work that moves continuously or intermittently (stopping for up to approximately 15 minutes.)

SIGN MOUNTING HEIGHT

- The bottom of Long-term/Intermediate-term signs shall be at least 7 feet, but not more than 9 feet, above the paved surface, except as shown for supplemental plaques mounted below other signs.
- The bottom of Short-term/Short Duration signs shall be a minimum of 1 foot above the pavement surface but no more than 2 feet above the ground.
- Long-term/Intermediate-term Signs may be used in lieu of Short-term/Short Duration signing.
- Short-term/Short Duration signs shall be used only during daylight and shall be removed at the end of the workday or raised to appropriate Long-term/Intermediate-term sign height.
- Regulatory signs shall be mounted at least 7 feet, but not more than 9 feet, above the paved surface regardless of work duration.

REMOVING OR COVERING

- When sign messages may be confusing or do not apply, the signs shall be removed or completely covered.
- Long-term stationary or intermediate stationary signs installed on square metal tubing may be turned away from traffic 90 degrees when the sign message is not applicable. This technique may not be used for signs installed in the median of divided highways or near any intersections where the sign may be seen from approaching traffic.
- Signs installed on wooden skids shall not be turned at 90 degree angles to the roadway. These signs should be removed or completely covered when not required.
- When signs are covered, the material used shall be opaque, such as heavy mil black plastic, or other materials which will cover the entire sign face and maintain their opaque properties under automobile headlight at night, without damaging the sign sheeting.
- Burlap shall NOT be used to cover signs.
- Duct tape or other adhesive material shall NOT be affixed to a sign face.
- Signs and anchor stubs shall be removed and holes backfilled upon completion of work.

SIGN SUPPORT WEIGHTS

- Where sign supports require the use of weights to keep from turning over, the use of sandbags with dry, cohesionless sand should be used.
- The sandbags will be tied shut to keep the sand from spilling and to maintain a constant weight.
- Rock, concrete, iron, steel or other solid objects shall not be permitted for use as sign support weights.
- Sandbags should weigh a minimum of 35 lbs and a maximum of 50 lbs.
- Sandbags shall be made of a durable material that tears upon vehicular impact. Rubber (such as tire inner tubes) shall NOT be used.
- Rubber ballasts designed for channelizing devices should not be used for ballast on portable sign supports. Sign supports designed and manufactured with rubber bases may be used when shown on the CWZTCD list.
- Sandbags shall only be placed along or laid over the base supports of the traffic control device and shall not be suspended above ground level or hung with rope, wire, chains or other fasteners. Sandbags shall be placed along the length of the skids to weigh down the sign support.
- Sandbags shall NOT be placed under the skid and shall not be used to level sign supports placed on slopes.

FLAGS ON SIGNS

- Flags may be used to draw attention to warning signs. When used, the flag shall be 16 inches square or larger and shall be orange or fluorescent red-orange in color. Flags shall not be allowed to cover any portion of the sign face.

SIGN DETAILS

| Sign Number | Conventional Road | Expressway/Freeway |
|-------------|-------------------|--------------------|
| G20-2bT | 36"x18" | 48"x24" |
| G20-5aP | 24"x18" | 36"x24" |
| G20-9TP | 24"x24" | 36"x30" |
| R20-5T | 24"x30" | 36"x36" |
| R20-5aTP | 24"x12" | 36"x18" |
| CW3-5 | 36"x36" | 48"x48" |
| R2-1 | 24"x30" | 36"x48" |

SHEET 1 OF 2

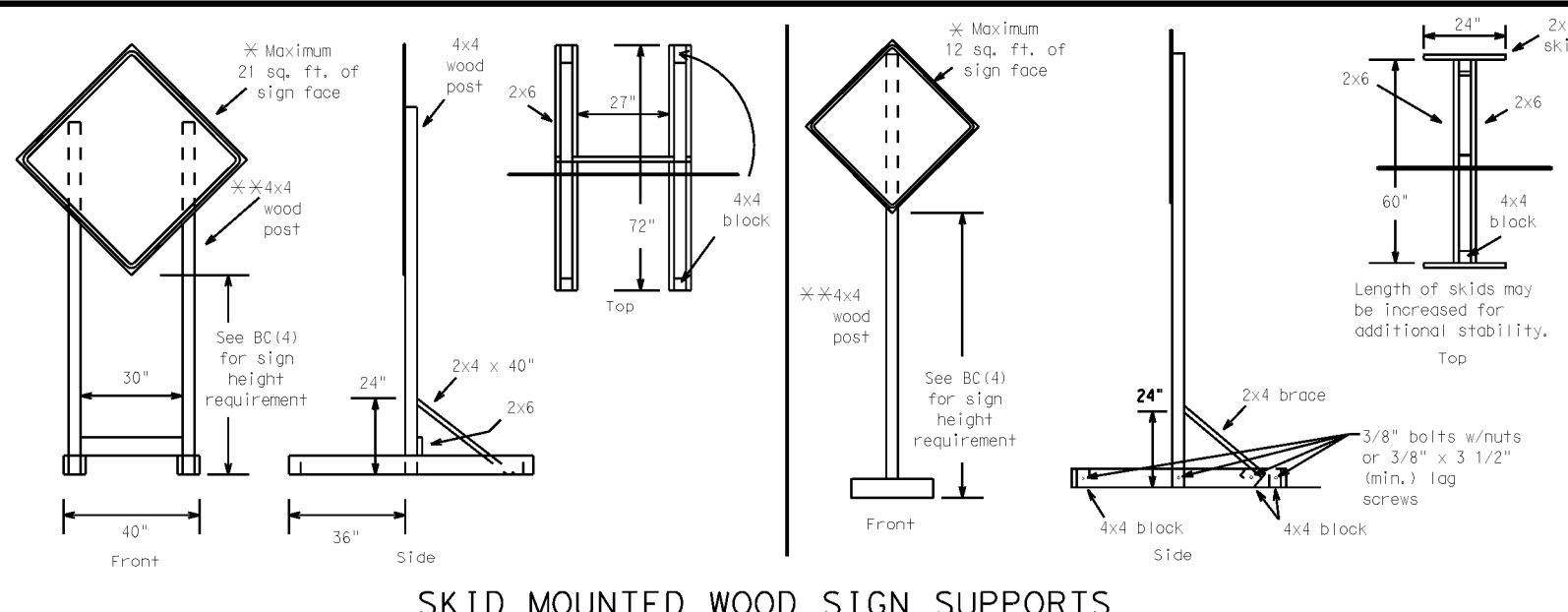


MAINTENANCE WORK ZONE SPEED LIMIT SIGNS

| | | | | |
|-------------------|-------------------|-------------|---------------|-----------------|
| FILE: mntwzsl.dgn | DN: November 2021 | CK: 6451 05 | DB: 001 | CD: US 69, ETC. |
| CON: TYL | SECT: SMITH | JOB: SMITH | COUNTY: SMITH | SHEET NO: 24 |

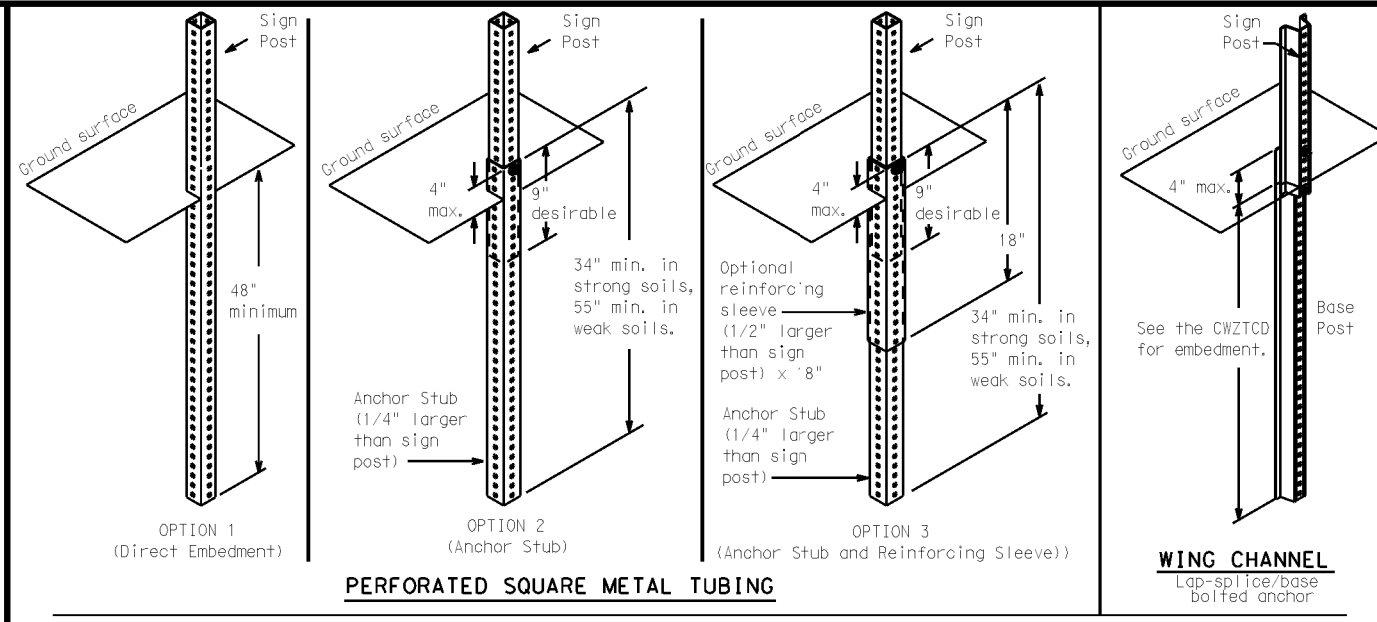
DISCLAIMER: The use of this standard is governed by the "Texas Engineering Practice Act". No warranty of any kind is made by TxDOT for any purpose whatsoever. TxDOT assumes no responsibility for the conversion of this standard to other units or for the results of its use. For more information, contact the TxDOT Design Office at (512) 463-1001 or visit the TxDOT website at www.txdot.gov.

7/20/2023 12:51:04 PM
 pw://txdot.projectwiseonline.com:TXDOT13/Documents/10 - TYP/Maintenance Projects/64510500171 - Pre-Letting/Design/024-025-MNTWZSL.dgn



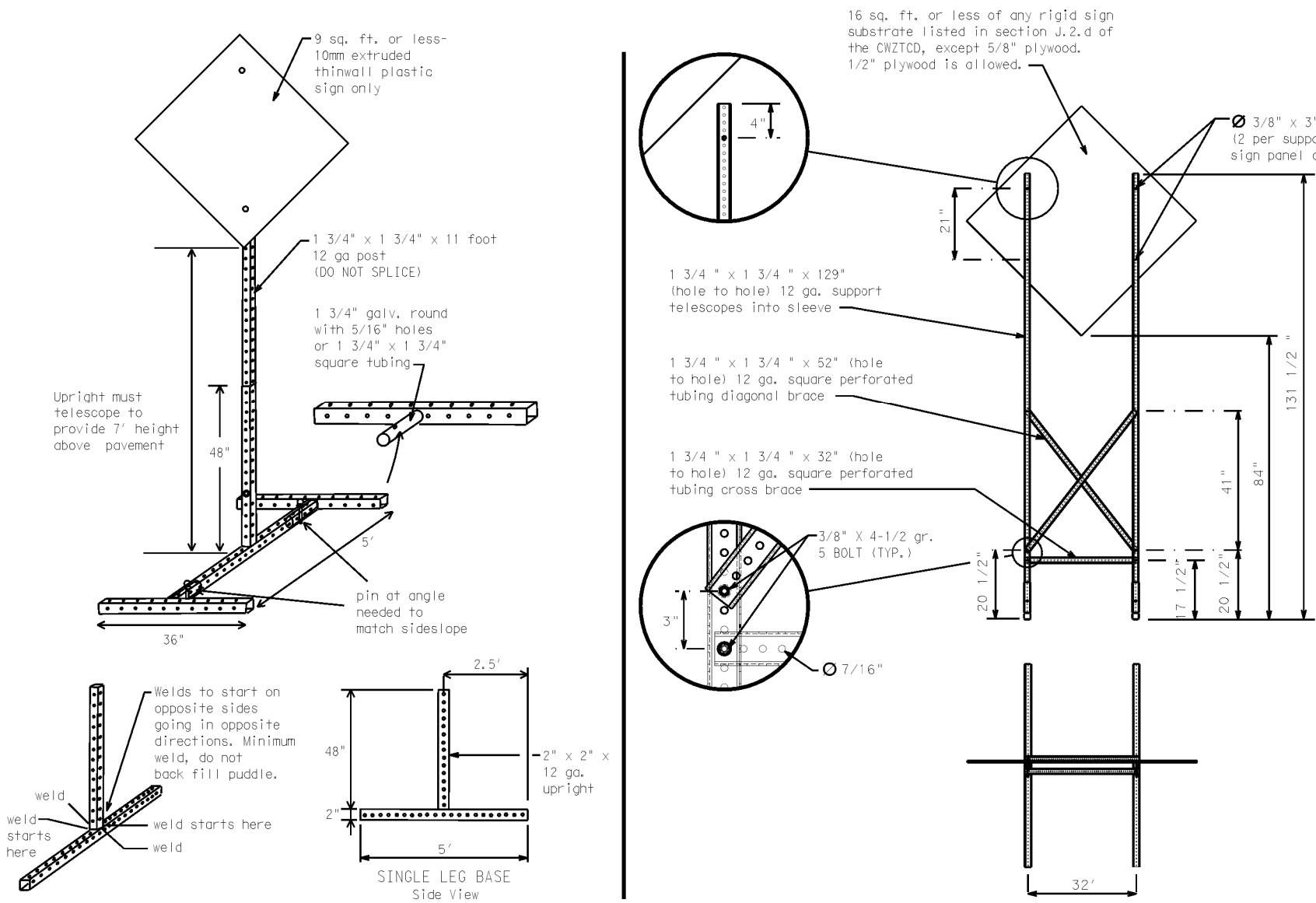
SKID MOUNTED WOOD SIGN SUPPORTS

* LONG/INTERMEDIATE TERM STATIONARY - PORTABLE SKID MOUNTED SIGN SUPPORTS



GROUND MOUNTED SIGN SUPPORTS

Refer to the CWZTCD and the manufacturer's installation procedure for each type sign support. The maximum sign square footage shall adhere to the manufacturer's recommendation. Two post installations can be used for larger signs.



SKID MOUNTED PERFORATED SQUARE STEEL TUBING SIGN SUPPORTS

* LONG/INTERMEDIATE TERM STATIONARY - PORTABLE SKID MOUNTED SIGN SUPPORTS

WEDGE ANCHORS

Both steel and plastic Wedge Anchor Systems as shown on the SMD Standard Sheets may be used as temporary sign supports for signs up to 10 square feet of sign face. They may be set in concrete or in sturdy soils if approved by the Engineer. (See web address for "Traffic Engineering Standard Sheets" on BC(1)).

OTHER DESIGNS

MORE DETAILS OF APPROVED LONG/INTERMEDIATE AND SHORT TERM SUPPORTS CAN BE FOUND ON THE CWZTCD LIST. SEE BC(1) FOR WEBSITE LOCATION.

GENERAL NOTES

1. Nails may be used in the assembly of wooden sign supports, but 3/8" bolts with nuts or 3/8" x 3 1/2" lag screws must be used on every joint for final connection.
2. No more than 2 sign posts shall be placed within a 7 ft. circle, except for specific materials noted on the CWZTCD List.
3. When project is completed, all sign supports and foundations shall be removed from the project site. This will be considered subsidiary to Item 502.

- * See sheet 1 for definition of "Work Duration."
- ** Wood sign posts MUST be one piece. Splicing will NOT be allowed. Posts shall be painted white.
- See the CWZTCD for the type of sign substrate that can be used for each approved sign support.

SHEET 2 OF 2



MAINTENANCE WORK ZONE SPEED LIMIT SIGNS

| | | | | |
|-----------------------|------------|-----------|-------------|-----------|
| FILE: mntwzsl.dgn | DWG: TxDOT | CR: TxDOT | DRW: TxDOT | CR: TxDOT |
| © TxDOT November 2021 | CONT | SECT | JOB | HIGHWAY |
| REVISIONS | 645105 | 001 | US 69, ETC. | |
| | DIST | COUNTY | SHEET NO. | |
| | TYL | SMITH | 25 | |

DISCLAIMER: The use of this standard is governed by the "Texas Engineering Practice Act". No warranty of any kind is made by TxDOT for any purpose whatsoever. TxDOT assumes no responsibility for the conversion of units or for the accuracy of the information provided. The user of this standard is responsible for its use.

DATE: 7/18/2023 4:01:27 PM
 FILE: P:\t\dot\project\wiseonline.com\TXDOT13\Documents\10 - TYL\Maintenance\PHS\epic.dgn

I. STORMWATER POLLUTION PREVENTION-CLEAN WATER ACT SECTION 402

TPDES TXR 150000: Stormwater Discharge Permit or Construction General Permit required for projects with 1 or more acres disturbed soil. Projects with any disturbed soil must protect for erosion and sedimentation in accordance with Item 506.

List MS4 Operator(s) that may receive discharges from this project. They may need to be notified prior to construction activities.

- 1.
2. No Action Required Required Action

Action No.

1. Prevent stormwater pollution by controlling erosion and sedimentation in accordance with TPDES Permit TXR 150000
2. Comply with the SW3P and revise when necessary to control pollution or required by the Engineer.
3. Post Construction Site Notice (CSN) with SW3P information on or near the site, accessible to the public and TCEQ, EPA or other inspectors.
4. When Contractor project specific locations (PSL's) increase disturbed soil area to 5 acres or more, submit NOI to TCEQ and the Engineer.

II. WORK IN OR NEAR STREAMS, WATERBODIES AND WETLANDS CLEAN WATER ACT SECTIONS 401 AND 404

USACE Permit required for filling, dredging, excavating or other work in any water bodies, rivers, creeks, streams, wetlands or wet areas.

The Contractor must adhere to all of the terms and conditions associated with the following permit(s):

- No Permit Required
- Nationwide Permit 14 - PCN not Required (less than 1/10th acre waters or wetlands affected)
- Nationwide Permit 14 - PCN Required (1/10 to <1/2 acre, 1/3 in tidal waters)
- Individual 404 Permit Required
- Other Nationwide Permit Required: NWP# _____

Required Actions: List waters of the US permit applies to, location in project and check Best Management Practices planned to control erosion, sedimentation and post-project TSS.

- 1.
- 2.
- 3.
- 4.

The elevation of the ordinary high water marks of any areas requiring work to be performed in the waters of the US requiring the use of a nationwide permit can be found on the Bridge Layouts.

Best Management Practices:

| | | |
|--|--|--|
| Erosion | Sedimentation | Post-Construction TSS |
| <input type="checkbox"/> Temporary Vegetation | <input type="checkbox"/> Silt Fence | <input type="checkbox"/> Vegetative Filter Strips |
| <input type="checkbox"/> Blankets/Matting | <input type="checkbox"/> Rock Berm | <input type="checkbox"/> Retention/Irrigation Systems |
| <input type="checkbox"/> Mulch | <input type="checkbox"/> Triangular Filter Dike | <input type="checkbox"/> Extended Detention Basin |
| <input type="checkbox"/> Sodding | <input type="checkbox"/> Sand Bag Berm | <input type="checkbox"/> Constructed Wetlands |
| <input type="checkbox"/> Interceptor Swale | <input type="checkbox"/> Straw Bale Dike | <input type="checkbox"/> Wet Basin |
| <input type="checkbox"/> Diversion Dike | <input type="checkbox"/> Brush Berms | <input type="checkbox"/> Erosion Control Compost |
| <input type="checkbox"/> Erosion Control Compost | <input type="checkbox"/> Erosion Control Compost | <input type="checkbox"/> Mulch Filter Berm and Socks |
| <input type="checkbox"/> Mulch Filter Berm and Socks | <input type="checkbox"/> Mulch Filter Berm and Socks | <input type="checkbox"/> Compost Filter Berm and Socks |
| <input type="checkbox"/> Compost Filter Berm and Socks | <input type="checkbox"/> Compost Filter Berm and Socks | <input checked="" type="checkbox"/> Vegetation Lined Ditches |
| | <input type="checkbox"/> Stone Outlet Sediment Traps | <input type="checkbox"/> Sand Filter Systems |
| | <input type="checkbox"/> Sediment Basins | <input type="checkbox"/> Grassy Swales |

III. CULTURAL RESOURCES

Refer to TxDOT Standard Specifications in the event historical issues or archeological artifacts are found during construction. Upon discovery of archeological artifacts (bones, burnt rock, flint, pottery, etc.) cease work in the immediate area and contact the Engineer immediately.

- No Action Required Required Action

Action No.

- 1.
- 2.
- 3.
- 4.

IV. VEGETATION RESOURCES

Preserve native vegetation to the extent practical. Contractor must adhere to Construction Specification Requirements Specs 162, 164, 192, 193, 506, 730, 751, 752 in order to comply with requirements for invasive species, beneficial landscaping, and tree/brush removal commitments.

- No Action Required Required Action

Action No.

- 1.
- 2.
- 3.
- 4.

V. FEDERAL LISTED, PROPOSED THREATENED, ENDANGERED SPECIES, CRITICAL HABITAT, STATE LISTED SPECIES, CANDIDATE SPECIES AND MIGRATORY BIRDS.

- No Action Required Required Action

Action No.

- 1.
- 2.
- 3.
- 4.

If any of the listed species are observed, cease work in the immediate area, do not disturb species or habitat and contact the Engineer immediately. The work may not remove active nests from bridges and other structures during nesting season of the birds associated with the nests. If caves or sinkholes are discovered, cease work in the immediate area, and contact the Engineer immediately.

LIST OF ABBREVIATIONS

| | |
|---|---|
| BMP: Best Management Practice | SPCC: Spill Prevention Control and Countermeasure |
| CGP: Construction General Permit | SW3P: Storm Water Pollution Prevention Plan |
| DSHS: Texas Department of State Health Services | PCN: Pre-Construction Notification |
| FHWA: Federal Highway Administration | PSL: Project Specific Location |
| MOA: Memorandum of Agreement | TCEQ: Texas Commission on Environmental Quality |
| MOU: Memorandum of Understanding | TPDES: Texas Pollutant Discharge Elimination System |
| MS4: Municipal Separate Stormwater Sewer System | TPWD: Texas Parks and Wildlife Department |
| MBTA: Migratory Bird Treaty Act | TxDOT: Texas Department of Transportation |
| NOT: Notice of Termination | T&E: Threatened and Endangered Species |
| NWP: Nationwide Permit | USACE: U.S. Army Corps of Engineers |
| NOI: Notice of Intent | USFWS: U.S. Fish and Wildlife Service |

VI. HAZARDOUS MATERIALS OR CONTAMINATION ISSUES

General (applies to all projects):

Comply with the Hazard Communication Act (the Act) for personnel who will be working with hazardous materials by conducting safety meetings prior to beginning construction and making workers aware of potential hazards in the workplace. Ensure that all workers are provided with personal protective equipment appropriate for any hazardous materials used.

Obtain and keep on-site Material Safety Data Sheets (MSDS) for all hazardous products used on the project, which may include, but are not limited to the following categories: Paints, acids, solvents, asphalt products, chemical additives, fuels and concrete curing compounds or additives. Provide protected storage, off bare ground and covered, for products which may be hazardous. Maintain product labelling as required by the Act.

Maintain an adequate supply of on-site spill response materials, as indicated in the MSDS. In the event of a spill, take actions to mitigate the spill as indicated in the MSDS, in accordance with safe work practices, and contact the District Spill Coordinator immediately. The Contractor shall be responsible for the proper containment and cleanup of all product spills.

Contact the Engineer if any of the following are detected:

- Dead or distressed vegetation (not identified as normal)
- Trash piles, drums, canister, barrels, etc.
- Undesirable smells or odors
- Evidence of leaching or seepage of substances

Does the project involve any bridge class structure rehabilitation or replacements (bridge class structures not including box culverts)?

- Yes No

If "No", then no further action is required.

If "Yes", then TxDOT is responsible for completing asbestos assessment/inspection.

Are the results of the asbestos inspection positive (is asbestos present)?

- Yes No

If "Yes", then TxDOT must retain a DSHS licensed asbestos consultant to assist with the notification, develop abatement/mitigation procedures, and perform management activities as necessary. The notification form to DSHS must be postmarked at least 15 working days prior to scheduled demolition.

If "No", then TxDOT is still required to notify DSHS 15 working days prior to any scheduled demolition.

In either case, the Contractor is responsible for providing the date(s) for abatement activities and/or demolition with careful coordination between the Engineer and asbestos consultant in order to minimize construction delays and subsequent claims.

Any other evidence indicating possible hazardous materials or contamination discovered on site. Hazardous Materials or Contamination Issues Specific to this Project:

- No Action Required Required Action

Action No.

- 1.
- 2.
- 3.


VII. OTHER ENVIRONMENTAL ISSUES

(includes regional issues such as Edwards Aquifer District, etc.)

- No Action Required Required Action

Action No.

- 1.
- 2.
- 3.

| | | |
|---|-----------|--------------------------------|
|  Texas Department of Transportation | | Design Division Standard |
| <h2>ENVIRONMENTAL PERMITS, ISSUES AND COMMITMENTS EPIC</h2> | | |
| FILE: epic.dgn | DNR TxDOT | CR: RG |
| ©TxDOT: February 2015 | CONT SECT | JOB |
| 12-12-2011 (DS) REVISIONS | 6451 05 | 001 US 69, ETC. |
| 05-07-14 ADDED NOTE SECTION IV. | DIST | COUNTY |
| 01-23-2015 SECTION I (CHANGED ITEM 1122 TO ITEM 506, ADDED GRASSY SWALES. | TYL | SMITH |
| | | SHEET NO. 26 |